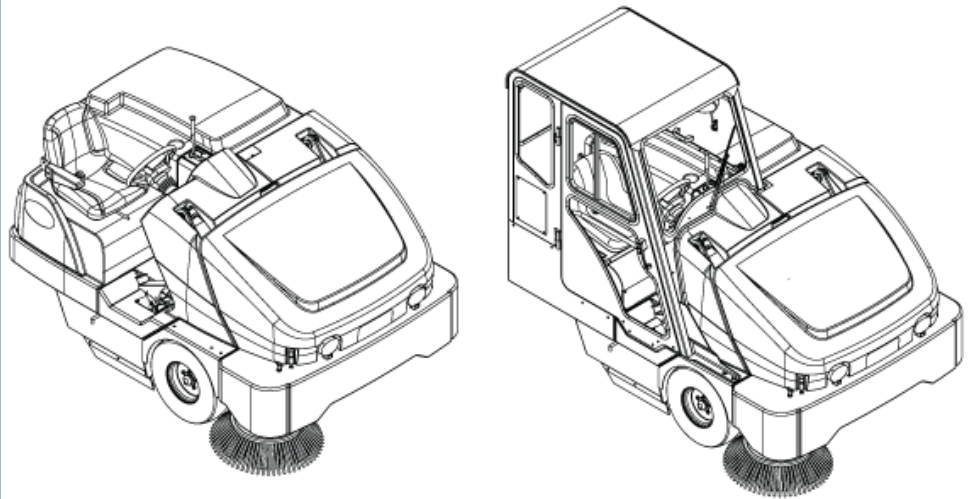


# SW8000

Model:  
SW8000 165 D 4-CYL  
CAB NIL  
SW8000 165 D 4-CYL  
NIL  
SW8000 165 D HT 4-  
CYL  
SW8000 165 LPG 4-  
CYL CAB NIL  
SW8000 165 LPG 4-  
CYL NIL  
SW8000 165 P HT 4-  
CYL NIL



Part List US-English

05-04-2015

# Table of Contents

SW8000

<b>GENERAL VIEW</b>	<b>3</b>
<b>CHASSIS SYSTEM</b>	<b>5</b>
<b>CHASSIS ASSY</b>	<b>8</b>
<b>BRAKE PEDAL ASSY</b>	<b>10</b>
<b>CIRCUIT BREAKER PANEL ASSY</b>	<b>12</b>
<b>CONTROL SYSTEM</b>	<b>14</b>
<b>DECAL SYSTEM</b>	<b>16</b>
<b>DRIVE WHEEL SYSTEM</b>	<b>18</b>
<b>DUST CONTROL SYSTEM-1</b>	<b>20</b>
<b>DUST CONTROL SYSTEM-2</b>	<b>22</b>
<b>ELECTRICAL SYSTEM</b>	<b>24</b>
<b>ENGINE LPG SYSTEM-1</b>	<b>26</b>
<b>ENGINE LPG SYSTEM-2</b>	<b>29</b>
<b>ENGINE BASE ASSY - LPG</b>	<b>31</b>
<b>ENGINE PETROL SYSTEM-1</b>	<b>33</b>
<b>ENGINE PETROL SYSTEM-2</b>	<b>36</b>
<b>ENGINE BASE ASSY - PETROL</b>	<b>38</b>
<b>ENGINE [KUBOTA] DIESEL SYSTEM-1</b>	<b>40</b>
<b>ENGINE [KUBOTA] DIESEL SYSTEM-2</b>	<b>43</b>
<b>ENGINE BASE ASSY - (KUBOTA) DIESEL</b>	<b>45</b>
<b>ENGINE LPG TANK &amp; FILTER ASSY</b>	<b>47</b>
<b>ENGINE [KUBOTA] DIESEL FUEL TANK ASSY</b>	<b>49</b>
<b>ENGINE PETROL FUEL TANK ASSY</b>	<b>51</b>
<b>ENGINE BOTTOM COVER ASSY - DIESEL</b>	<b>54</b>
<b>ENGINE BOTTOM COVER ASSY - LPG-PETROL</b>	<b>56</b>
<b>ENGINE REAR COVER ASSY</b>	<b>58</b>
<b>FORWARD-REVERSE CONTROL ASSY</b>	<b>60</b>
<b>FRONT WHEEL SYSTEM</b>	<b>63</b>
<b>GAUGE PANEL ASSY</b>	<b>65</b>
<b>HOPPER SYSTEM-1</b>	<b>67</b>
<b>HOPPER SYSTEM-2</b>	<b>69</b>
<b>HOPPER SYSTEM-3</b>	<b>71</b>
<b>HOPPER SYSTEM-4</b>	<b>73</b>
<b>HYDRAULIC SCHEMATIC</b>	<b>75</b>
<b>HYDRAULIC SYSTEM</b>	<b>77</b>
<b>HYDRAULIC SYSTEM - MOUNTING</b>	<b>80</b>
<b>HYDRAULIC CYLINDER ASSEMBLIES</b>	<b>82</b>
<b>HYDRAULIC MANIFOLD ASSY</b>	<b>84</b>
<b>HYDRAULIC MOTOR ASSEMBLIES</b>	<b>86</b>

# Table of Contents

SW8000

HYDRAULIC OIL FILTER-RESERVOIR	88
HYDRAULIC PUMP ASSY	90
BROOM LIFT ASSY	92
MAIN BROOM ASSY-1	94
MAIN BROOM ASSY-2	96
RADIATOR ASSY	98
SEAT ASSY	100
SIDE BROOM SYSTEM	102
LADDER DIAGRAM-1	104
LADDER DIAGRAM-2	107
LADDER DIAGRAM-3	109
OPTIONAL KITS & ACCESSORIES	111
BROOM SELECTOR GUIDE	114
LEFT HAND SIDE BROOM OPTION-1	116
LEFT HAND SIDE BROOM OPTION-2	118
TILT STEERING OPTION	120
GAUGE KIT-DIESEL	122
GAUGE KIT-PETROL & LPG	124
AMBER STROBE NO OHG KIT [STANDARD ON NON CAB MOD	126
AMBER STROBE CAB [STANDARD ON CAB MODELS]	128
BACK UP ALARM KIT (STANDARD ON ALL MODELS)	130
CAB SYSTEM	132
CAB SYSTEM - ACCESS DOOR ASSEMBLY	134
CAB SYSTEM - CAB FRAME ASSEMBLY	136
CAB SYSTEM - COVER ASSEMBLY	139
CAB SYSTEM - DOOR ASSEMBLY	141
CAB SYSTEM - WINDOW ASSEMBLY	143
CAB SYSTEM - SEAT ASSEMBLY	145
DIESEL FUEL TANK ASSEMBLY	147
LPG FUEL TANK ASSEMBLY	149
CAB HEATER-PRESSURIZER OPTION	151
CAB HEATER-PRESSURIZER OPTION 2	153
CAB HEATER-PRESSURIZER AND AC OPTION	155
CAB HEATER-PRESSURIZER AND AC OPTION 2	158
RECOMMENDED SPARE PART	160
56508364/56508365 - Right/Left Side Broom Guard Ki	164
56507030 - Litter Vac Kit	166
56507850 - Sidebroom Premist Kit	168
56508720 - Rear Bumper Kit	171

# Table of Contents

SW8000

<b>56508811 - Rear Bumper Kit - Cab</b>	<b>173</b>
<b>56507037 - Foam filled tyre kit</b>	<b>175</b>
<b>56507228 - Tilt Steering Option</b>	<b>177</b>
<b>56107627 - CONTROL BOX KIT</b>	<b>179</b>
<b>56107612 - FRONT BUMPER KIT</b>	<b>181</b>
<b>56107680 - Side broom speed control kit</b>	<b>183</b>
<b>56107668 - OPERATOR PRESENCE SWITCH KIT</b>	<b>185</b>
<b>56383880 ROD END THROTTLE KIT</b>	<b>187</b>

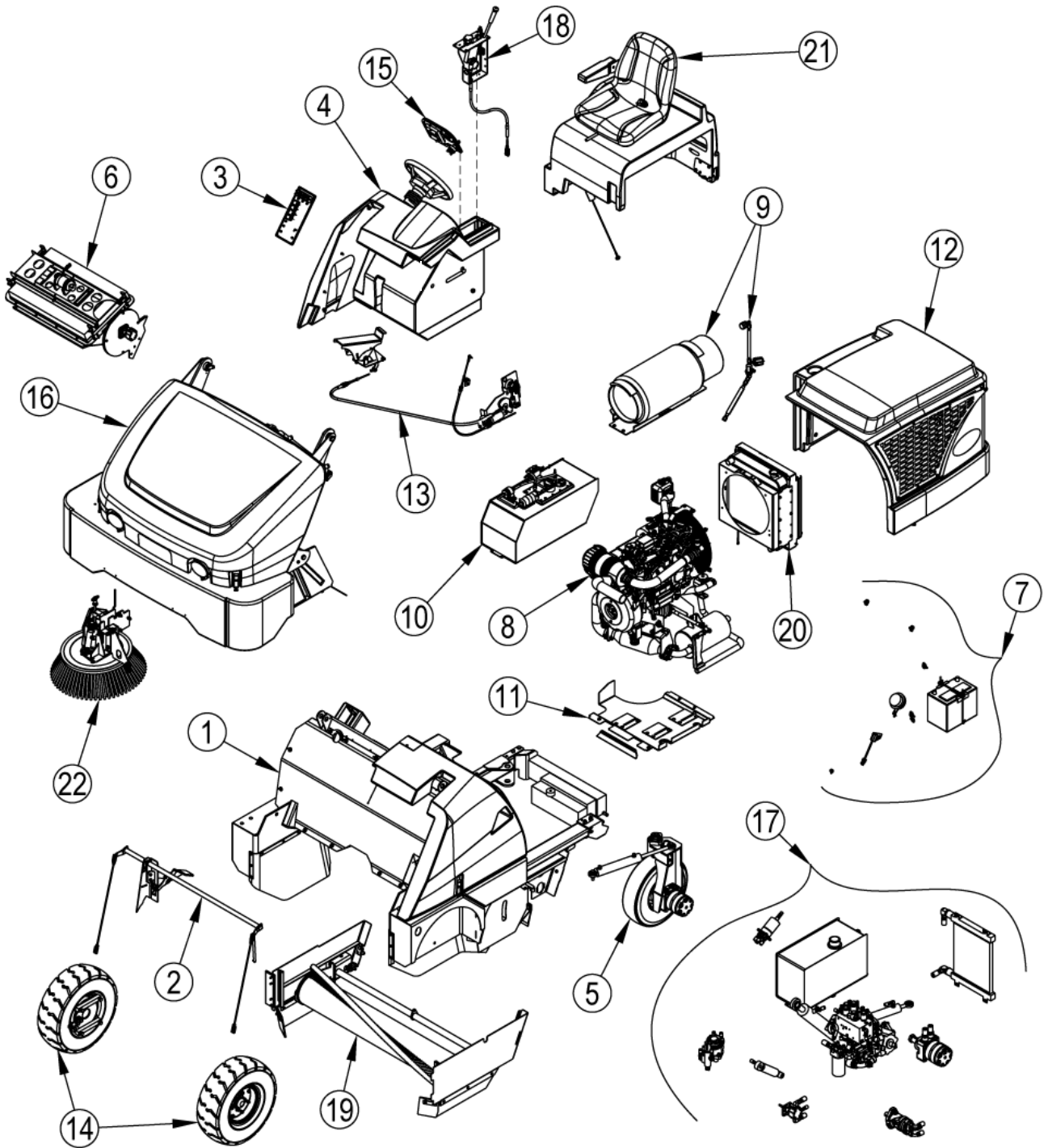
# GENERAL VIEW

SW8000

05-04-2015

Part List ID  
SW800002

3



# GENERAL VIEW

SW8000

05-04-2015

Part List ID  
SW800002

4

Pos	Part no.	Qty	Description
1		1	NOTE COMMENT CHASSIS SYSTEM
2		1	NOTE COMMENT BRAKE PEDAL ASSY
3		1	NOTE COMMENT CIRCUIT BREAKER PANEL ASSY
4		1	NOTE COMMENT CONTROL SYSTEM
5		1	NOTE COMMENT DRIVE WHEEL SYSTEM
6		1	NOTE COMMENT DUST CONTROL SYSTEM
7		1	NOTE COMMENT ELECTRICAL SYSTEM
8		1	NOTE COMMENT ENGINE SYSTEM
9		1	NOTE COMMENT ENGINE LPG TANK & FILTER ASSY
10		1	NOTE COMMENT ENGINE DIESEL/PETROL FUEL TANK ASSY
11		1	NOTE COMMENT ENGINE BOTTOM COVER ASSY
12		1	NOTE COMMENT ENGINE REAR COVER ASSY
13		1	NOTE COMMENT FORWARD-REVERSE CONTROL
14		1	NOTE COMMENT FRONT WHEEL SYSTEM
15		1	NOTE COMMENT GAUGE PANEL ASSY
16		1	NOTE COMMENT HOPPER SYSTEM
17		1	NOTE COMMENT HYDRAULIC SYSTEM
18		1	NOTE COMMENT BROOM LIFT ASSY
19		1	NOTE COMMENT MAIN BROOM ASSY
20		1	NOTE COMMENT RADIATOR ASSY
21		1	NOTE COMMENT SEAT ASSY
22		1	NOTE COMMENT SIDE BROOM SYSTEM

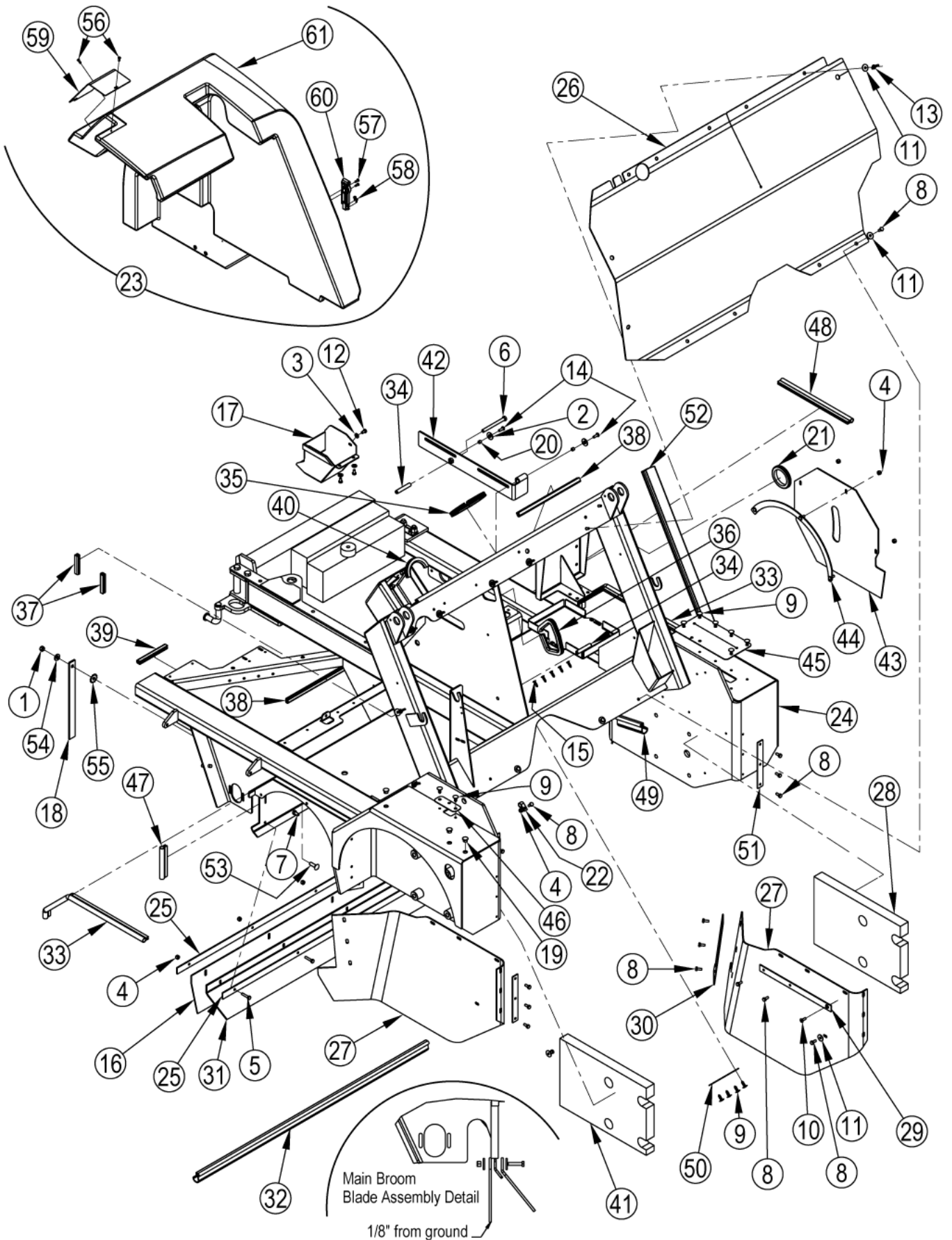
# CHASSIS SYSTEM

SW8000

05-04-2015

Part List ID  
SW800004

5



# CHASSIS SYSTEM

SW8000

05-04-2015

Part List ID  
SW800004

6

Pos	Part no.	Qty	Description
1	2-95-04182	1	NUT-EL.STOP-3/8-16 ZN PL
2	56002055	2	WSH FLT STD 3/8
3	56002098	3	WSH FLT SAE 1/4
4	56002491	9	NUT HEX NYL LOC SS 1/4-20
5	56002897	5	SCR HEX SS 1/4-20 X 1.25
6	56002977	1	SCR HEX THD TO HD 3/8-16 X 4.0
7	56002988	1	SCR HEX SS 5/16 18 X .62
8	56003047	23	SCR HEX SS 1/4-20 X .62
9	56003263	12	RIVET NYLON TREE PUSH IN.25
10	56003922	2	SCR-FLT SOC SS 1/4-20 X .75
11	56003923	13	WSH-FLT SS .266 X .906 X .060
12	56009033	3	SCR HEX THD FORM 1/4 20X.50
13	56009111	7	NUT WING S.S. 1/4 20
14	56009126	2	SCR PANPHILTHD FORM 1/4-20X.75
15	56009388	6	RIVET NYLON TREE PUSH IN .187
16	56107621	1	FLAP BROOM REAR
17	56107784	1	VACUUM EXHAUST ASSY
18	56416517	1	STRAP STATIC
19	56418888	3	PLUG BUTTON
20	56453849	2	BUSHING .26X.37X.28
21	56459362	1	GROMMET E00059
22	56486112	1	CLAMP P
23	56507042	1	CENTER COVER ASSEMBLY
24	56507043	1	CHASSIS ASSEMBLY
25	56507117	2	STRAP
26	56507141	1	COVER RUBBER
27	56507473	2	FLAP
28	56507474	1	FOAM LH
29	56507475	2	STRAP
30	56507476	2	STRAP
31	56507569	1	FLAP BROOM REAR
32	56507895	1	GASKET
33	56507896	2	GASKET
34	56507897	2	CAP VINYL
35	56507900	1	TRIM EDGE
36	56507901	1	TRIM EDGE
37	56507903	2	TRIM EDGE
38	56507904	2	TRIM EDGE
39	56507905	1	TRIM EDGE
40	56507906	1	TRIM EDGE
41	56507967	1	FOAM RH
42	56507981	1	SLIDE WELDT
43	56508317	1	FLAP



# CHASSIS SYSTEM

SW8000

05-04-2015

Part List ID  
SW800004

7

Pos	Part no.	Qty	Description
44	56508319	1	CLAMP WELDT
45	56508372	1	FLAP DUST
46	56508373	1	FLAP DUST
47	56508380	1	GASKET
48	56508382	1	GASKET
49	56508385	2	GASKET
50	56508387	1	FLAP DUST
51	56508399	2	STRAP
52	56508516	1	SEAL CHASSIS
53	2-00-05187	1	BOLT CARR.38-16 X 1.25 GR 5 ZN
54	2-00-04801	1	WSHR-FLAT .875X.380X.120TH ZN
55	2-00-03829	1	LK WASH INT/EXT TOOTH ZN
56	56009206	2	SCR TRUSS PHIL BLK 10 24X.50
57	56003093	2	SCR PAN PHIL PLAST 8-15 X .50
58	56009051	2	SCR PAN PHIL THD FORM 8-32X.38
59	56107698	1	PLATE-COVER
60	56507188	1	LATCH HOPPER COVER
61	56507565	1	COVER INTERMEDIATE

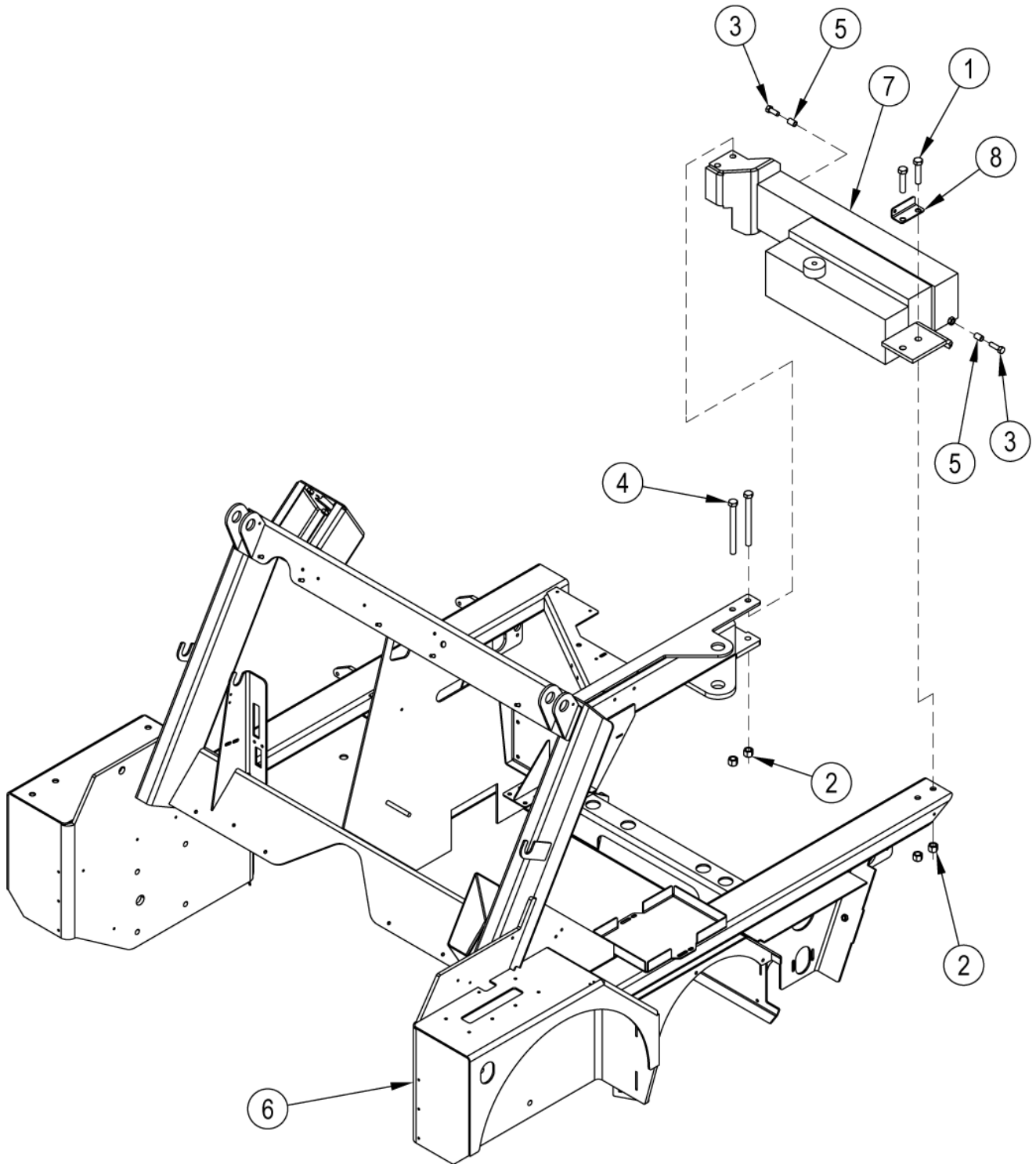
# CHASSIS ASSY

SW8000

05-04-2015

Part List ID  
SW800006

8



# CHASSIS ASSY

SW8000

05-04-2015

Part List ID  
SW800006

9

Pos	Part no.	Qty	Description
	56507043	1	CHASSIS ASSEMBLY
1	56001968	2	SCR HEX 1/2 13 X 1.50
2	56002770	4	NUT HEX NYL LOC 1/2-13
3	56002947	2	SCR HEX LOC 3/8-16 X 1.00
4	56003471	2	SCR HX 1/2-13 X 5.50
5	56244859	2	BUSHING .37X.50X.75FC417E
6		1	NOTE COMMENT Chassis Weldment
7	56508880	1	REAR BUMPER WELDMENT
8	56507553	1	BRACKET COVER LANYARD

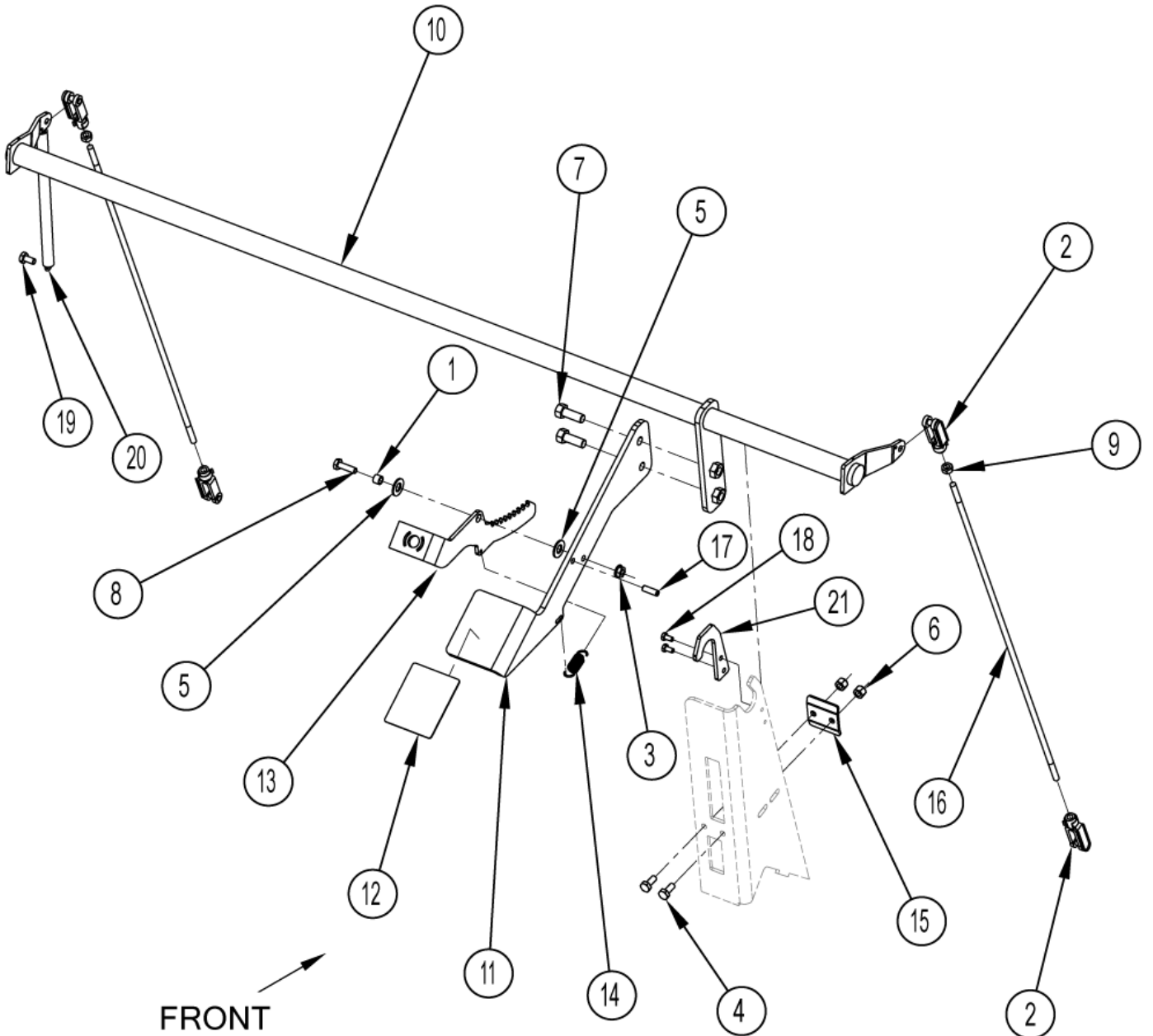
# BRAKE PEDAL ASSY

SW8000

05-04-2015

Part List ID  
SW800008

10



# BRAKE PEDAL ASSY

SW8000

05-04-2015

Part List ID  
SW800008

11

Pos	Part no.	Qty	Description
0	56507044	1	PEDAL BRAKE ASSEMBLY
1	56368989	1	BUSHING .25X.37X.30CV82G
2	56407133	4	YOKE CLEVIS
3	56003920	1	NUT-HEX FLANGE LOC SS 1/4-20
4	56003047	2	SCR HEX SS 1/4-20 X .62
5	56002910	2	WSH FLT SAE SS 3/8
6	56002491	2	NUT HEX NYL LOC SS 1/4-20
7	56002947	2	SCR HEX LOC 3/8-16 X 1.00
8	56003921	1	SCR-HEX LOC SS 1/4-20 X .88
9	56009142	2	NUT HEX MACHINE 1/4 28
10	56507210	1	BRAKE CONNECTING ROD WELDT
11	56107688	1	BRAKE PEDAL
12	56507226	1	MAT PEDAL
13	56507450	1	PARKING BRAKE LEVER
14	56507451	1	SPRING EXTENSION
15	56507453	1	PLATE
16	56507456	2	ROD
17	56003138	1	PIN SPR .25 X .75
18	56009012	2	SCR HEX THD FORM 10 24X.38
19	56009033	1	SCR HEX THD FORM 1/4 20X.50
20	56382000	1	SPRING EXT .49X6.00CL11J
21	56508329	1	TAB BRAKE ROD LOCKING

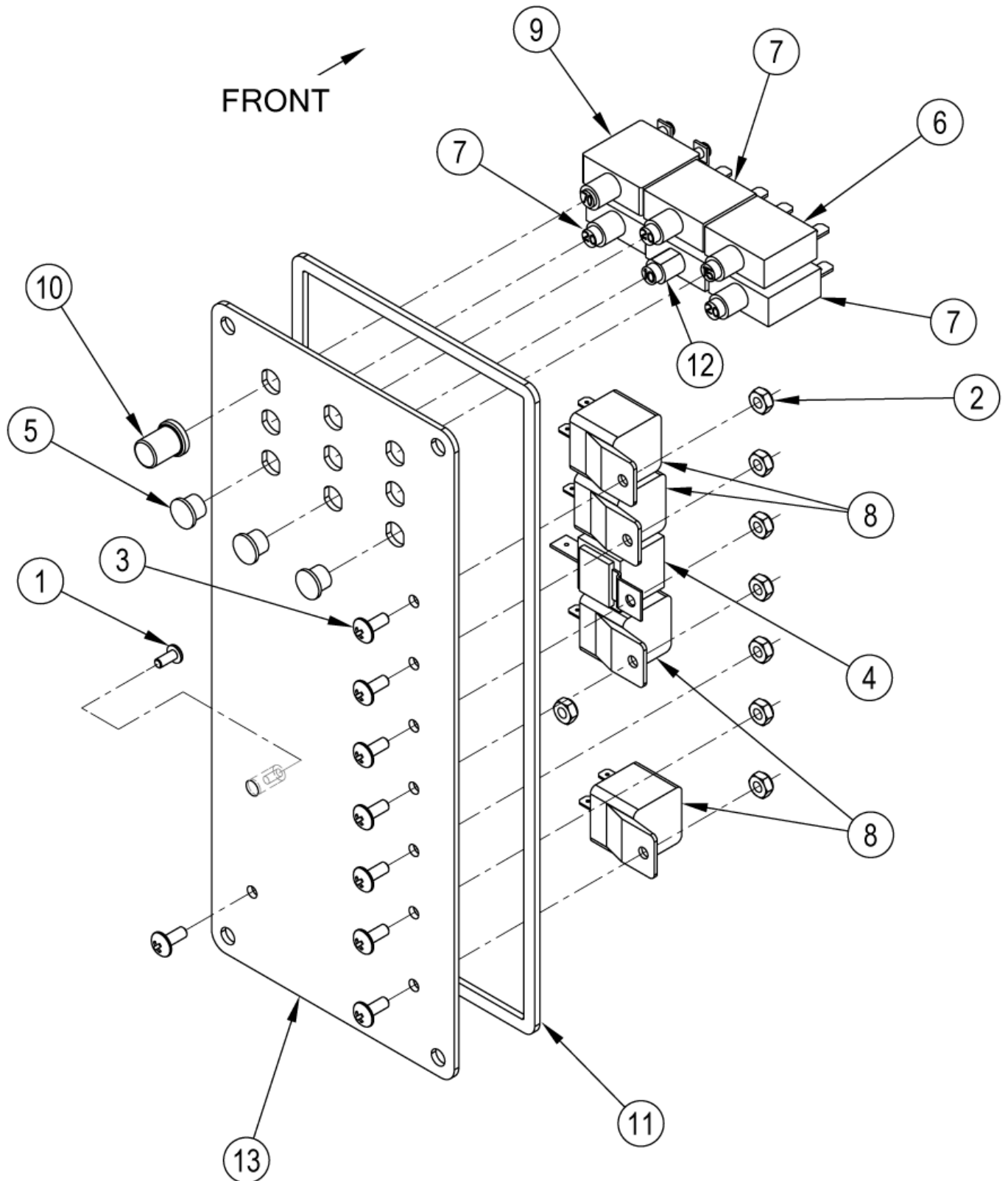
# CIRCUIT BREAKER PANEL ASSY

SW8000

05-04-2015

Part List ID  
SW800010

12



# CIRCUIT BREAKER PANEL ASSY

SW8000

05-04-2015

Part List ID  
SW800010

13

Pos	Part no.	Qty	Description
0	56507615	1	PANEL ASSY DIESEL (items 1-13)
0	56507646	1	PANEL ASSY LPG/PETROL (items 1-13)
1	56001818	1	SCR PAN PHIL 8 32 X .38
2	56002849	8	NUT HEX NYL LOC-THIN SS 10-24
3	56003902	8	SCR-TRUSS PHIL SS BLK10-24X.50
4	56107639	1	RELAY
5	56153126	3	PLUG BUTTON E00172
6	56413407	1	CIRCUIT BREAKER 15 AMP
7	56413822	3	CIRCUIT BREAKER 20 AMP
8	56418387	3	RELAY SPDT
9	56454429	1	CIRCUIT BREAKER 70A
10	56459369	1	BOOT RESET BUTTON E00586
11	56507441	1	GASKET STRIP
12	56507644	1	CIRCUIT BREAKER 10 AMP
13	56107693	1	PANEL-CIRCUIT BREAKERS ASSY

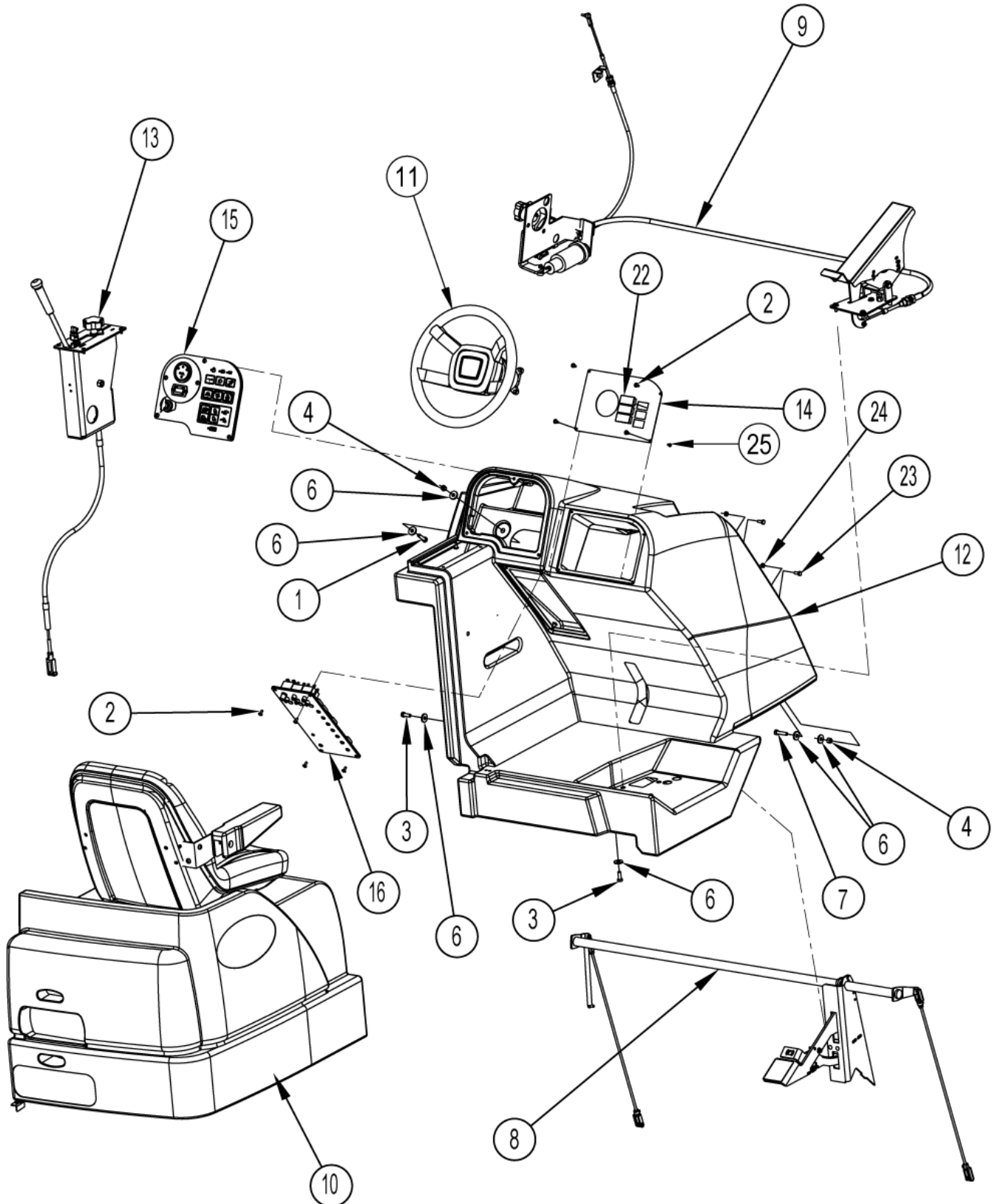
# CONTROL SYSTEM

SW8000

05-04-2015

Part List ID  
SW800012

14





# CONTROL SYSTEM

SW8000

05-04-2015

Part List ID  
SW800012

15

Pos	Part no.	Qty	Description	
1	56001834	1	SCR HEX 5/16 18 X 1.25	
2	56003902	8	SCR-TRUSS PHIL SS BLK10-24X.50	
3	56002037	2	SCR HEX 5/16-18 X .88	
4	56002701	2	NUT HEX NYL LOC 5/16-18	
6	56009122	6	WSH FLT .344X.938X.125	
7	56009256	1	SCR HEX 5/16-18X1.38	
8	56507044	1	PEDAL BRAKE ASSEMBLY	See Brake Pedal Assembly
9	56507049	1	FWD/REV 4 CYL CONTROL ASSY	See Forward/Reverse Control Assembly
10	56507052	1	SEAT ASSEMBLY	(non-cab models) See Seat Assembly
11	56507228	1	TILT STEERING OPTION	NOTE 1
12	56507083	1	CONSOLE	
13	56507407	1	LIFT BROOM ASSEMBLY	See Broom Lift Assy
14	56107696	1	PANEL-STANDARD ASSY	
15	56107640	1	GAUGE PANEL ASSY PETROL	See Gauge Panel Assembly
15	56107641	1	GAUGE PANEL ASSY LPG	See Gauge Panel Assembly
15	56107642	1	GAUGE PANEL ASSY DIESEL	See Gauge Panel Assembly
16	56507615	1	PANEL ASSY DIESEL	See Circuit Breaker Panel Assembly
16	56507646	1	PANEL ASSY LPG/PETROL	See Circuit Breaker Panel Assembly
22	2-00-05758	3	MTG PANEL PLUG VHP	
23	56001836	2	SCR HEX 1/4 20 X .62	
24	56002840	2	NUT HEX NYL LOC-THIN 1/4-20	
25	56001818	1	SCR PAN PHIL 8 32 X .38	

NOTE 1: See Tilt Steering Option for replacement parts.

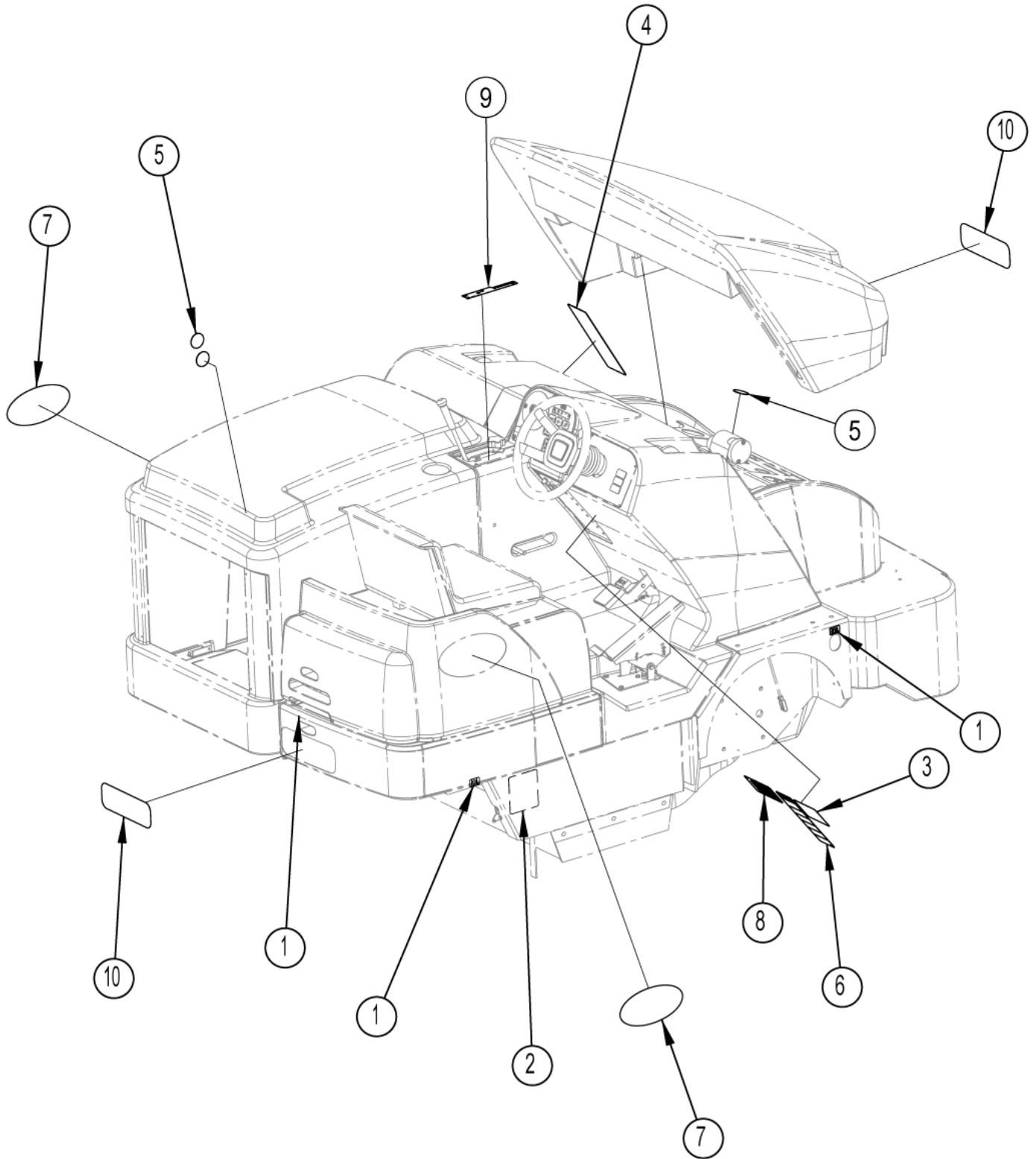
# DECAL SYSTEM

SW8000

05-04-2015

Part List ID  
SW800014

16



# DECAL SYSTEM

SW8000

05-04-2015

Part List ID  
SW800014

17

Pos	Part no.	Qty	Description
1	56015370	5	DECAL TIE DOWN
2	56015425	2	DECAL WARNING BROOM
3	56015427	1	DECAL WARNING TIP O
4	56015428	1	DECAL-WARNING-HOPPER
5	56030080	3	DECAL HANDS CLEAR
6	56014601	1	DECAL CAUTION
7	56107605	2	DECAL SW8000 NIL
8	56016356	1	DECAL CIRCUIT BREAKER
9	56016365	1	DECAL MAIN BROOM
10	56016731	2	DECAL NILFISK

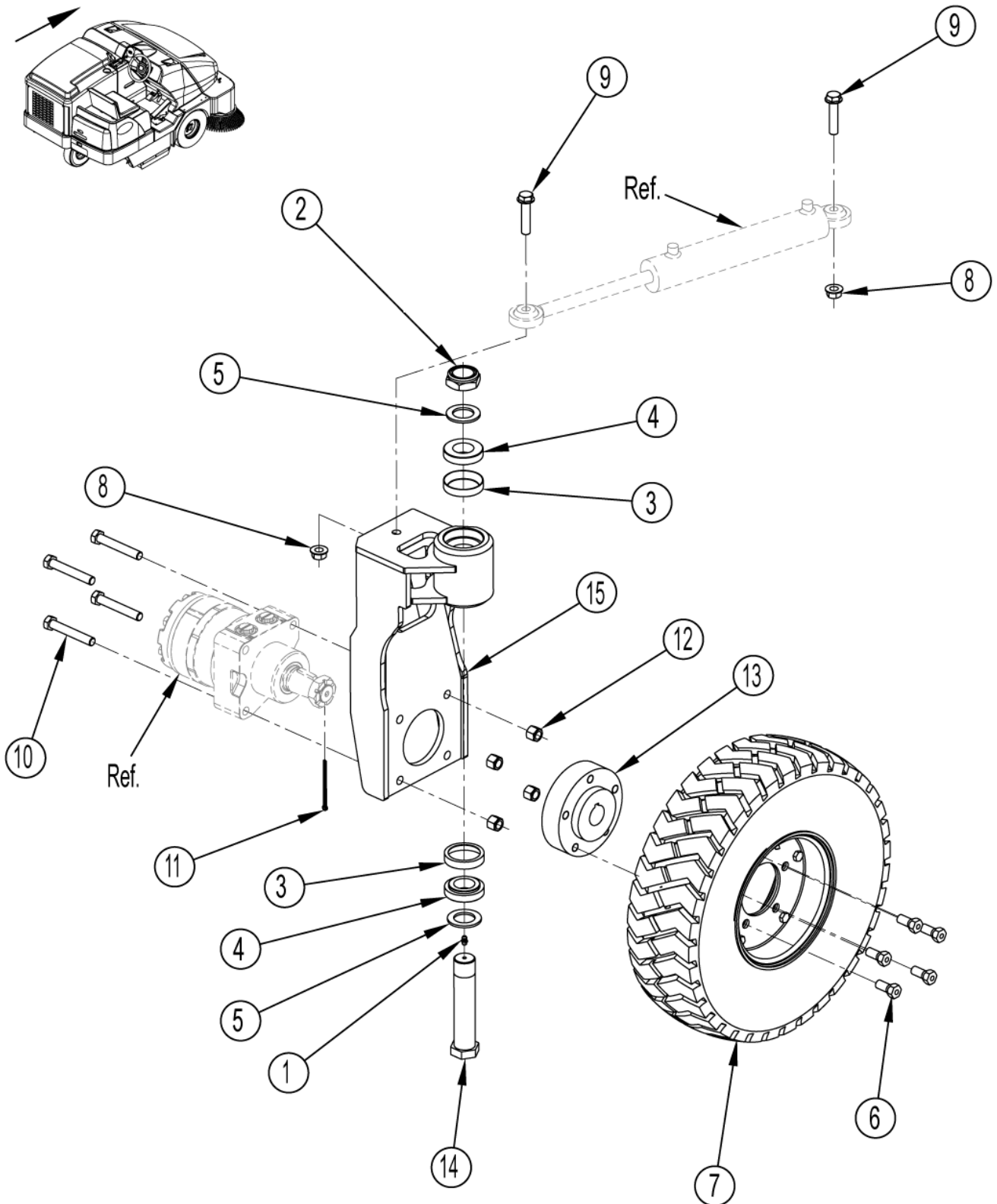
# DRIVE WHEEL SYSTEM

SW8000

05-04-2015

Part List ID  
SW800016

18



# DRIVE WHEEL SYSTEM

SW8000

05-04-2015

Part List ID  
SW800016

19

Pos	Part no.	Qty	Description	
0	56508943	1	TIRE SOLID 5 X 8 X 3	Optional, Not Included
0	8-65-05015	1	RIM ASSEMBLY	Optional, Not Included
0	8-70-00085	1	TUBE-INNER-PNEU TIRE 5.00x8	Optional, Not Included
0	8-70-00093	1	TUBE-INNER PNEU. TIRE	Optional, Not Included
0	8-85-06021	1	TIRE-5.00X8 PNEUMATIC	Optional, Not Included
0	8-85-06023	1	RIM ASSY - 3.00x8 LOCKRING	Optional, Not Included
1	56101737	1	FITTING LUBE 1/4-28	
2	2-00-04454	1	NUT-INS-FIBRE 1.25-12 LOW HGT	
3	2-00-04621	2	CUP TIMKEN	
4	2-00-04622	2	CONETIMKEN	
5	8-75-01136	2	WASHER-THRUST	
6	8-80-05035	5	STUD-DRIVE WHEEL HUB	
7	8-89-08064	1	WHEEL ASSY-PNEU DEMOUNT 18.5	(Pneumatic)
7	8-89-08065	1	WHEEL ASSY-SOFTSHOE DEMOUNT 18	(Solid)
7	8-89-08080	1	WHEEL ASSY-FRONT FOAM FILL 5x8	
8	56003872	2	NUT-HEX FLANG 1/2-20 SPIRALOCK	
9	56003871	2	SCR-HEX FLANGE 1/2-20 X 2.25	
10	56002116	4	SCR HEX 1/2-13 X 3.25	
11	56002574	1	PIN COT .156X3.	
12	56002770	4	NUT HEX NYL LOC 1/2-13	
13	56507462	1	HUB DRIVE WHEEL	
14	56507099	1	PIN DRIVE YOKE PIVOT	
15	56507280	1	DRIVE YOKE WELDT	

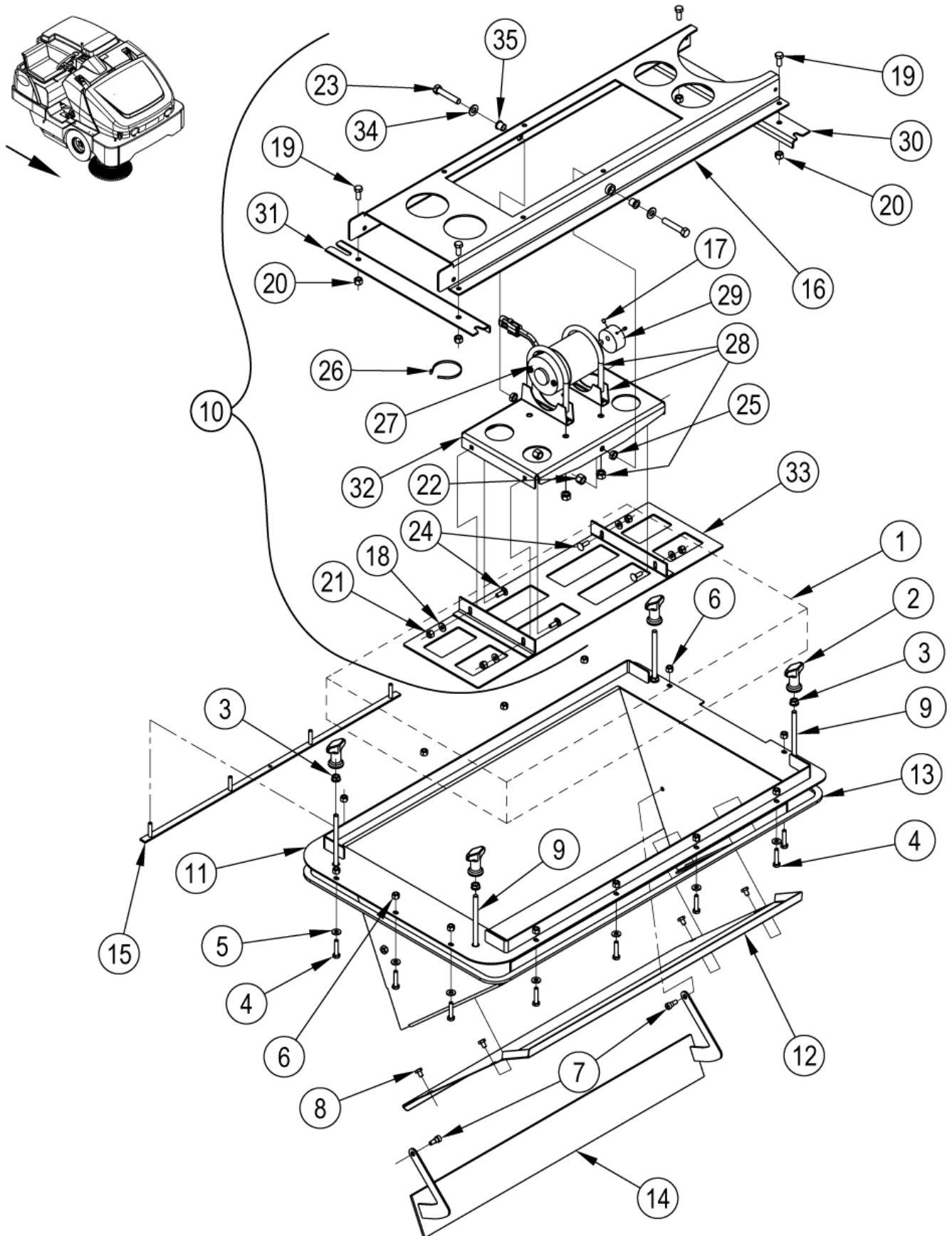
# DUST CONTROL SYSTEM-1

SW8000

05-04-2015

Part List ID  
SW800018

20



# DUST CONTROL SYSTEM-1

SW8000

05-04-2015

Part List ID  
SW800018

21

Pos	Part no.	Qty	Description	
0	56507058	1	PANEL FILTER SHAKER ASSEMBLY	
1	56382789	1	FILTER PANEL POLY HIGH FLOW	Optional, Not Included
1	56508953	1	FILTER-HEPA	Optional, Not Included
1	8-24-04139-1	1	FLTR PANEL ULTRA-WEB CELLULOSE	
2	56370711	4	NUT THUMB	
3	56001806	4	NUT WHZ W/FLANGE 5/16-18	
4	56001878	9	SCR HEX 1/4 20 X 1.25	
5	56002098	8	WSH FLT SAE 1/4	
6	56002708	13	NUT HEX NYL LOC 1/4-20	
7	56003717	2	SCR SOC SHD .31X.25X1/4-20	
8	56009019	4	SCR HEX THD FORM 1/4-20X .38	
9	56109163	4	ROD THREADED	
10	56507190	1	FILTER SHAKER ASSEMBLY	
11	56508070	1	PLATE FILTER CHAMBER WELDMENT	
12	56508073	1	PLATE DUST	
13	56508088	1	GASKET 1/2 X 1/4	
14	56508089	1	DOOR FILTER CHAMBER WELDMENT	
15	56508700	1	CLAMP FILTER CHAMBER	
16	8-13-07170	1	CLAMP-FILTER	
17	56002015	2	SCR SOC SET LOC 10 24 X .25	
18	56002098	4	WSH FLT SAE 1/4	
19	56002667	4	SCR HEX 5/16-18 X .75	
20	56002701	4	NUT HEX NYL LOC 5/16-18	
21	56002708	4	NUT HEX NYL LOC 1/4-20	
22	56002769	2	NUT HEX NYL LOC 3/8-16	
23	56003779	2	SCR HEX 3/8-16 X 2.00 GRADE 8	
24	56003715	4	SCR CARRIAGE SS 1/4-20X.75	
25	56009085	2	NUT HEX JAM 3/8 16	
26	56478246	1	CABLE TIE E00549 RE438BA	
27	56508664	1	MOTOR 12VDC	
28	56508887	2	CLAMP U-BOLT 3 DIA X 3/8-16	
29	56508772	1	ECCENTRIC	
30	56508703	1	BRACKET LH FILTER SHAKER	
31	56508704	1	BRACKET RH FILTER SHAKER	
32	56508705	1	PLATE SHAKER MOTOR MTG	
33	56508706	1	SHAKER WELDMENT	
34	56002063	2	WSH FLT SAE 3/8	
35	56508737	2	BEARING FL .500 X .375 X .500	

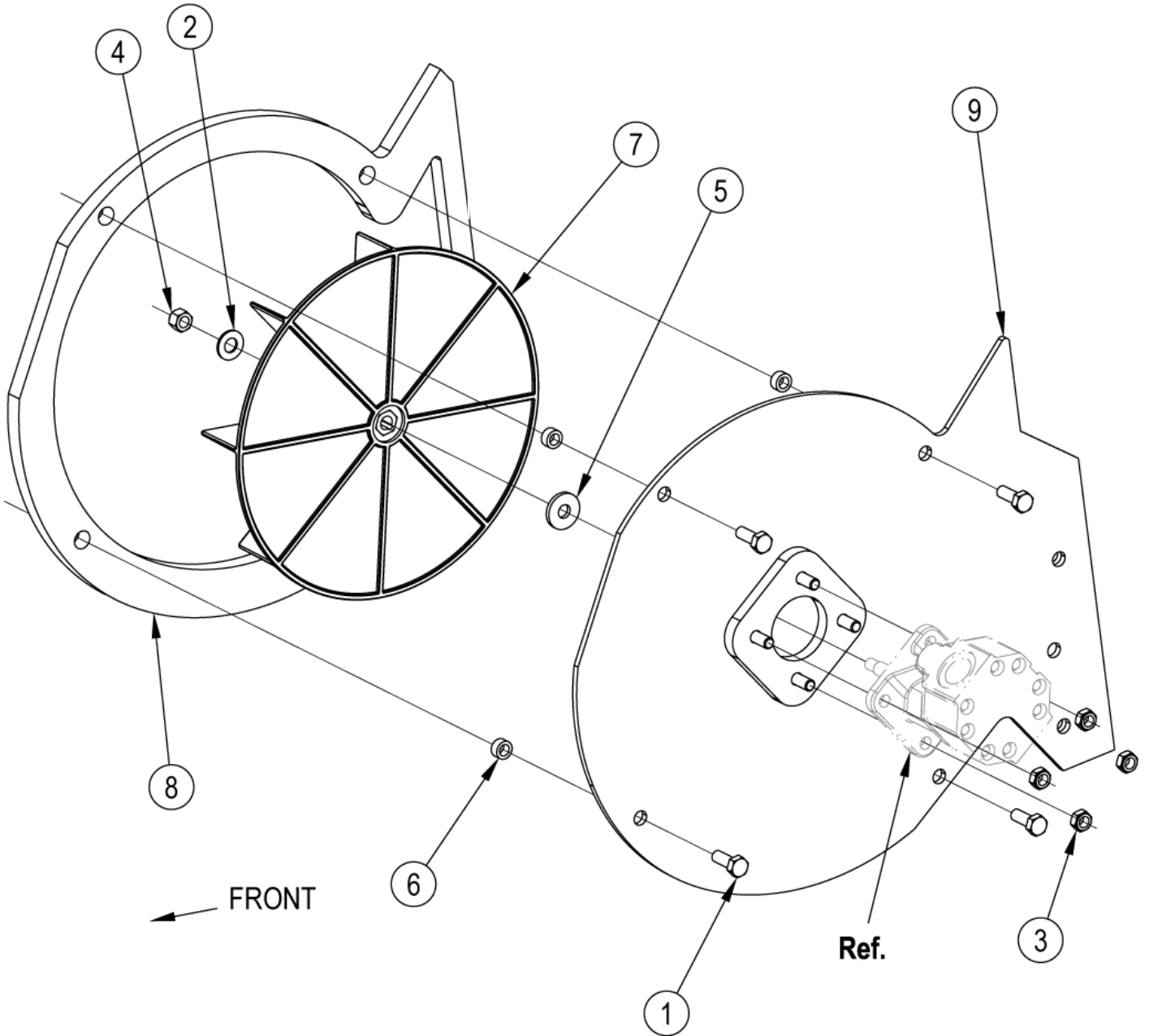
# DUST CONTROL SYSTEM-2

SW8000

05-04-2015

Part List ID  
SW800020

22





# DUST CONTROL SYSTEM-2

SW8000

05-04-2015

Part List ID  
SW800020

23

Pos	Part no.	Qty	Description
0	56507059	1	VACUUM FAN ASSEMBLY
1	56002037	4	SCR HEX 5/16-18 X .88
2	56002063	1	WSH FLT SAE 3/8
3	56002826	4	NUT HEX NYL LOC-THIN 5/16-18
4	56002950	1	NUT HEX NYL LOC 5/16-24
5	56009107	1	WSH FLT SS .378/.373X1.00X.075
6	56052581	4	SPACER STL--.315IDX.50OD .25L
7	56418897	1	IMPELLOR
8	56507198	1	SEAL VACUUM FAN
9	56507200	1	PLATE VAC MOTOR WELDMENT

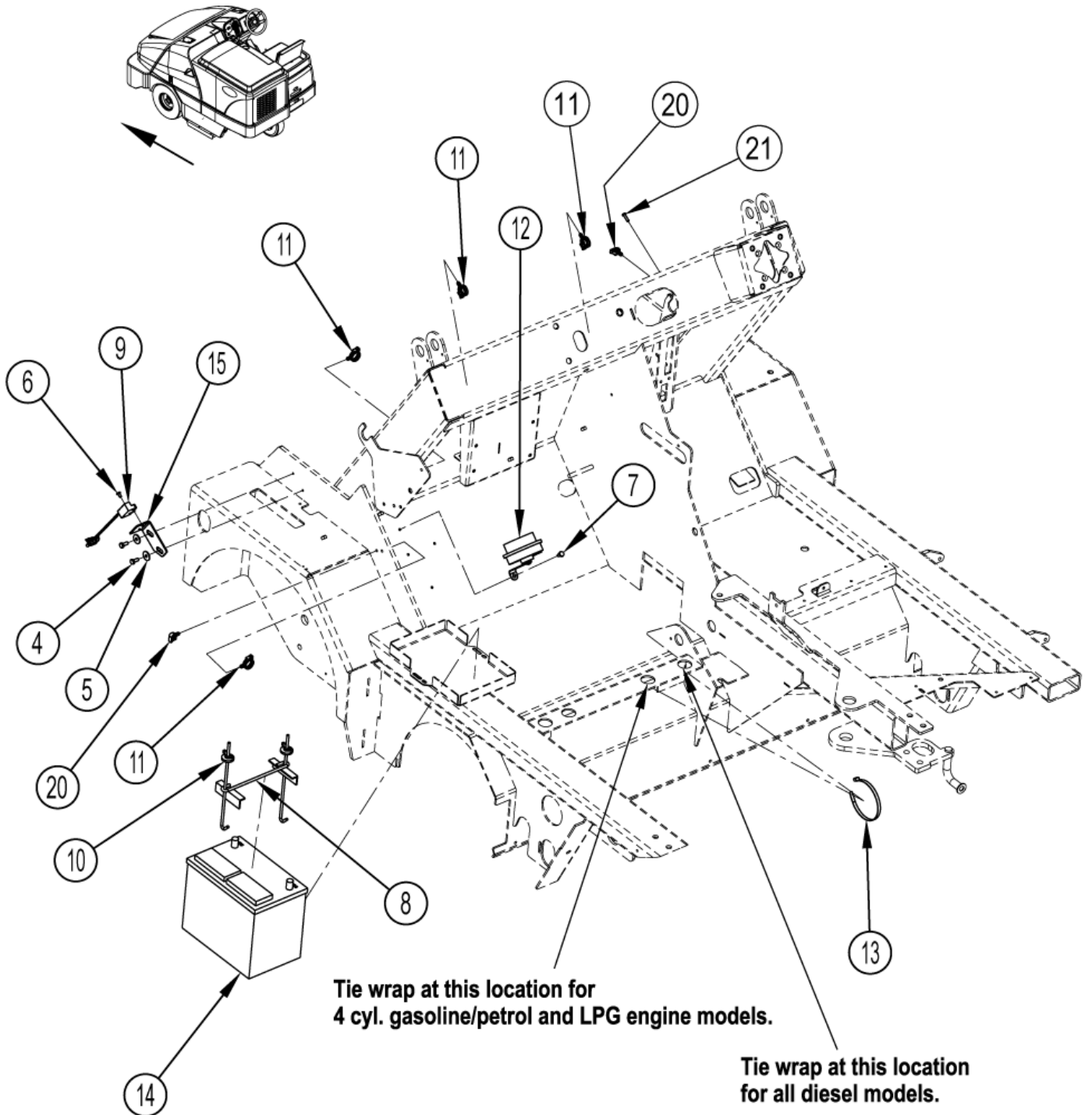
# ELECTRICAL SYSTEM

SW8000

05-04-2015

Part List ID  
SW800022

24



# ELECTRICAL SYSTEM

SW8000

05-04-2015

Part List ID  
SW8000ZZ

25

Pos	Part no.	Qty	Description	
0	56462361	1	CONN.WR.PK.2 WAY FE	Not Shown
0	56492305	1	BOOT	Not Shown
0	56493357	1	INSULATOR TERMINAL	Not Shown
4	56001836	2	SCR HEX 1/4 20 X .62	
5	56009002	2	WASHER FLAT .266X.906X.060	
6	56009030	1	SCR PAN PHIL THD FOM 10-24X.38	
7	56009033	1	SCR HEX THD FORM 1/4 20X.50	
8	56304445	1	BATTERY HOLD DOWN	
9	56305053	1	SENSOR PROXIMITY	
10	56305112	2	10 J TYPE HOLD DOWN	
11	56410247	4	CLIP .75 CONDUIT E00360	
12	56442054	1	HORN 12 VOLT CV438	
13	56477613	1	CABLE TIE E00549 RE409S	(LOCATION IS DEPENDENT UPON MODEL)
14	33019628	1	BATTERY START 12V 77 AH	
15	56381701	1	HARNESS-MAIN	Not Shown
15	56507457	1	MOUNT SENSOR	
15	56507679	1	WIRE ASM YEL/BLK 18-11	Not Shown (DIESEL MODELS ONLY)
15	56507680	1	CABLE POSITIVE BATTERY	Not Shown
15	56507681	1	CABLE NEGATIVE BATTERY	Not Shown
20	56107668	1	SWITCH KIT-OPERATOR PRESENCE	
20	56507793	3	CLIP CONDUIT	
20	56508006	1	HARNESS DIESEL RELAY	Not Shown (DIESEL MODELS ONLY)
20	56508010	1	WIRE ASM GRN/RED 10-1	Not Shown (DIESEL MODELS ONLY)
20	56508013	1	CABLE ASM BLK 6-1	Not Shown
21	56009005	1	SCR PANPHILS TYPE AB 10-16X.75	

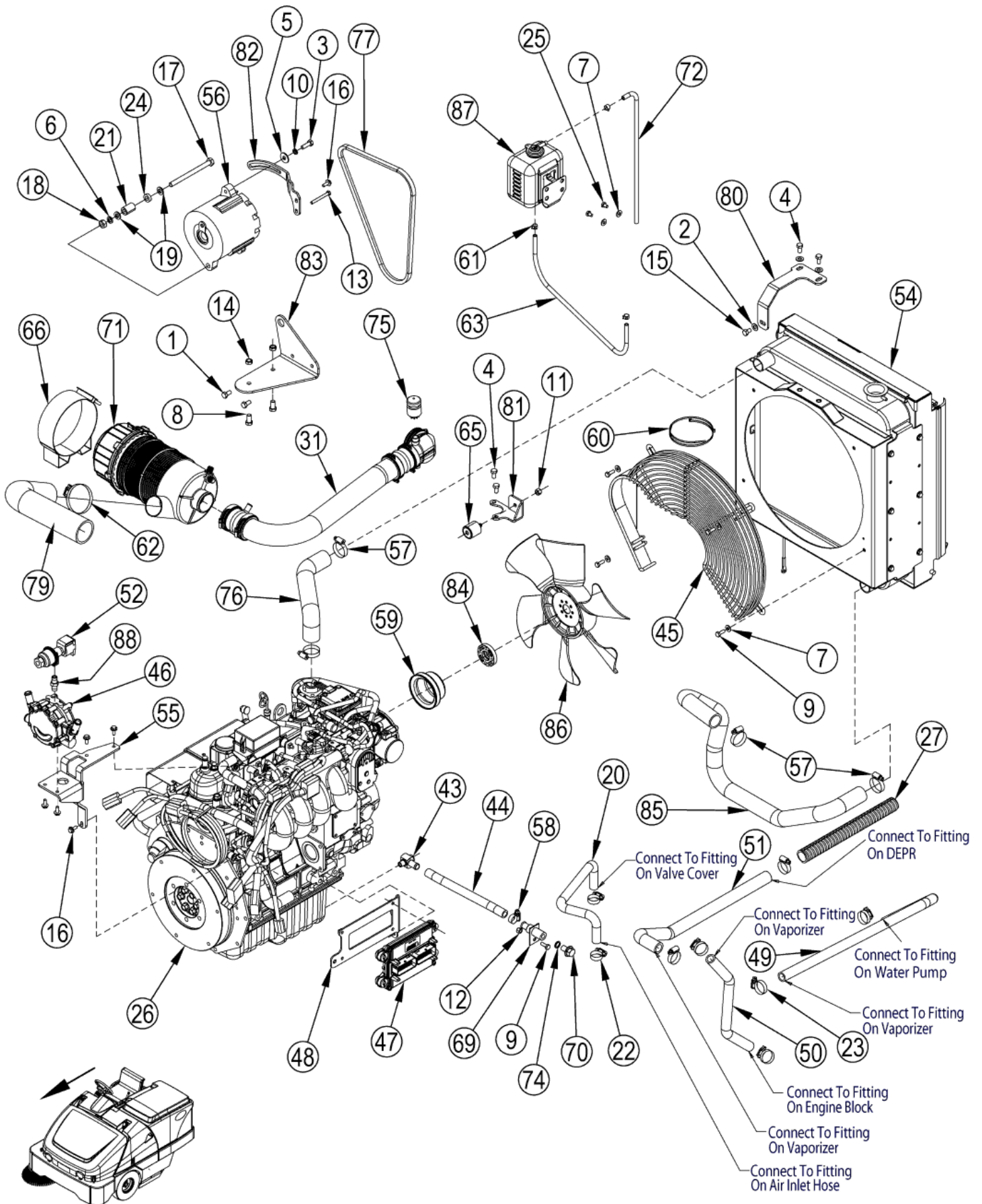
# ENGINE LPG SYSTEM-1

SW8000

05-04-2015

Part List ID  
SW800024

26



# ENGINE LPG SYSTEM-1

SW8000

05-04-2015

Part List ID  
SW800024

27

Pos	Part no.	Qty	Description
1	56003178	2	SCR HEX THD TO HD M8-1.25X16MM
2	56001939	9	WSH FLT SAE 5/16
3	56003436	1	SCR HEX SS M8-1.25X25MM
4	56002035	4	SCR HEX 5/16 18 X .62
5	56003646	1	WSH FLT SS M8
6	56003684	1	WSH NORD LOCK M10
7	56002098	6	WSH FLT SAE 1/4
8	56002127	2	SCR HEX 3/8-16 X .75
9	56002155	5	SCR HEX 1/4-20 X .75
10	56003685	1	WASHER NORD LOC M8
11	56002701	1	NUT HEX NYL LOC 5/16-18
12	56002708	1	NUT HEX NYL LOC 1/4-20
13	56003764	1	SCR HEX M6-1 X 55MM
14	56002841	2	NUT HEX NYL LOC-THIN 3/8-16
15	56002923	1	SCR HEX LOC 5/16-18 X .50
16	56003943	6	SCR-HEX FLANGE SS M6-1 X 16MM
17	56003944	1	SCR-HEX M10-1.25 X 130MM
18	56003945	1	NUT-HEX M10-1.25
19	56009214	2	WSH FLT .406X.750X.090
20	56107735	1	HOSE BREATHER
21	56107747	1	SPACER
22	56112771	2	CLAMP HOSE SAE 10 E00047
23	56244969	6	CLAMP HOSE SAE 12 E00047
24	56507795	1	SPACER COIL BRACKET
25	56009019	2	SCR HEX THD FORM 1/4-20X .38
26		1	NOTE COMMENT Engine Base-Kubota 4-Cyl LPG NOTE 1
27	56459890	1	CONDUIT
31	56107577	1	HOSE INTAKE ASSY LP
43	56107618	1	REMOTE OIL DRAIN VALVE ASSY
44	56107620	1	HOSE-HYDRAULIC
45	56107643	1	FAN GUARD ASSY
46	56107646	1	VAPORIZER
47	56107647	1	ECU-KUBOTA LPG
48	56107648	1	ECU-MOUNT PLATE
49	56107649	1	HOSE-COOLANT-VAPORIZER RETURN
50	56107650	1	HOSE-COOLANT-VAPORIZER SUPPLY
51	56107651	1	LPG HOSE-VAPORIZER
52	56107652	1	FUEL-SOLENOID
53	56107653	1	OPERATOR MANUAL
54		1	NOTE COMMENT Radiator Assy-6 Fin (See Radiator Assembly)
55	56107676	1	BRACKET-VAPORIZER
56	56110738	1	ALTERNATOR 105 AMP
56	56510971	1	PULLEY-ALTERNATOR

# ENGINE LPG SYSTEM-1

SW8000

05-04-2015

Part List ID  
SW800024

28

Pos	Part no.	Qty	Description
57	56131601	4	CLAMP HOSE SAE 16 E00047
58	56219932	1	CLAMP HOSE SAE 6 E00047
59	56307249	1	PULLEY FAN 89MM
60	56478523	2	CABLE TIE E00549
61	56419118	3	CLAMP HOSE BAND 56E00615
62	56456797	1	CLAMP HOSE
63	56465028	1	HOSE ASSY 1/4X22.00 E00529
65	56507372	1	ISOLATOR ENGINE
66	56507389	1	BAND AIR CLEANER
69	56507496	1	REMOTE OIL DRAIN OUTLET
70	56507497	1	OIL DRAIN PLUG
71	56384031	1	AIR CLEANER ASSY
71	7-24-04065	1	FILTER AIR MAIN ELEMENT
71	7-24-04066	1	FILTER AIR SAFETY ELEMENT
72	56507798	1	HOSE COOLANT OVERFLOW
74	56507998	1	SEAL
75	56507999	1	INDICATOR AIR
76	56508378	1	HOSE UPPER RADIATOR
77	56508393	1	BELT VEE
79	56508404	1	HOSE AIR INTAKE
80	56508427	1	BRACKET RADIATOR SUPPORT
81	56508428	1	BRACKET RADIATOR ISO SUPPORT
82	56508429	1	BRACKET ALTERNATOR
83	56508938	1	BRACKET AIR FILTER
84	56508941	1	SPACER FAN
85	56508942	1	HOSE LOWER COOLANT
86	56510140	1	FAN-COOLING
87	7-07-02002	1	OVERFLOW BOTTLE ASSY
88	2-00-05674	1	FTG-1/4NPT NIPPLE BRASS

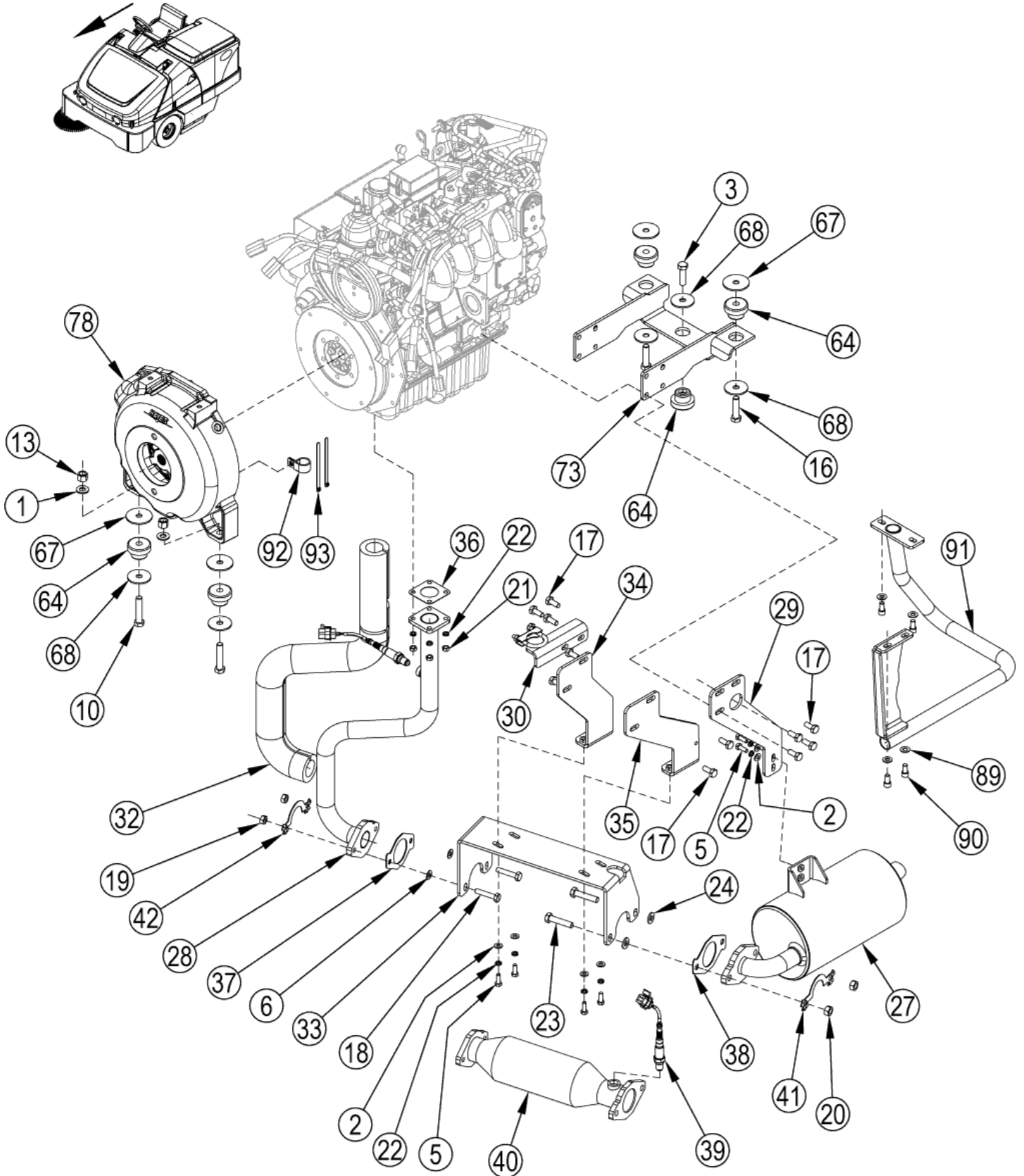
# ENGINE LPG SYSTEM-2

SW8000

05-04-2015

Part List ID  
SW800026

29



# ENGINE LPG SYSTEM-2

SW8000

05-04-2015

Part List ID  
SW800026

30

Pos	Part no.	Qty	Description
1	56001879	2	WSH FLT SAE 1/2
2	56001939	6	WSH FLT SAE 5/16
3	56001995	1	SCR HEX 1/2 13 X 1.75
5	56002037	6	SCR HEX 5/16-18 X .88
6	56002063	2	WSH FLT SAE 3/8
10	56002533	2	SCR HEX 1/2-13 X 2.50
13	56002770	2	NUT HEX NYL LOC 1/2-13
16	56002983	2	SCR HEX 1/2-13 X 2.00
17	56003019	12	SCR HEX M10-1.25 X 25 MM
18	56003021	2	SCR HEX M10-1.25 X 50 MM
19	56003409	2	NUT HEX M10-1.5
20	56003410	2	NUT-HEX M12-1.75
21	56003352	4	NUT HEX M8
22	56003685	10	WASHER NORD LOC M8
23	56003708	2	SCR HEX M12-1.75 X 55MM
24	56003889	2	WSH-FLT 12MM
27	56107550	1	MUFFLER
28	56107558	1	EXHAUST TUBE WELDMENT
29	56107566	1	HANGER MUFFLER
30	56107568	1	CLAMP BRACKET WELDMENT
32	56107581	1	BLANKET EXHAUST
33	56107582	1	HANGER CATALYTIC
34	56107585	1	MOUNT RT WELDMENT
35	56107586	1	MOUNT LT WELDMENT
36	56107590	1	GASKET MANIFOLD
37	56107591	1	GASKET CAT INLET
38	56107592	1	GASKET CAT OUTLET
39	56107613	2	SENSOR OXYGEN
40	56107614	1	CATALYST KUBOTA
41	56107616	1	LOCK SCREW
42	56107617	1	LOCK SCREW
64	56478685	5	MOUNT ENGINE RE446H
67	56507444	4	WASHER ISOLATOR HEAD
68	56507448	5	WASHER ISOLATOR TAIL
73	56507988	1	BRACKET ENGINE MOUNT DIESEL
78	56508403	1	BELL HOUSING
89	56002063	4	WSH FLT SAE 3/8
90	56003080	4	SCR SOC HD 3/8-16 X 0.75
91	56107645	1	GUARD MUFFLER WELDT
92	56303651	1	CLAMP P CL-16
93	2-00-04345	2	TY-RAP THOMAS+BETTS-TY-28M



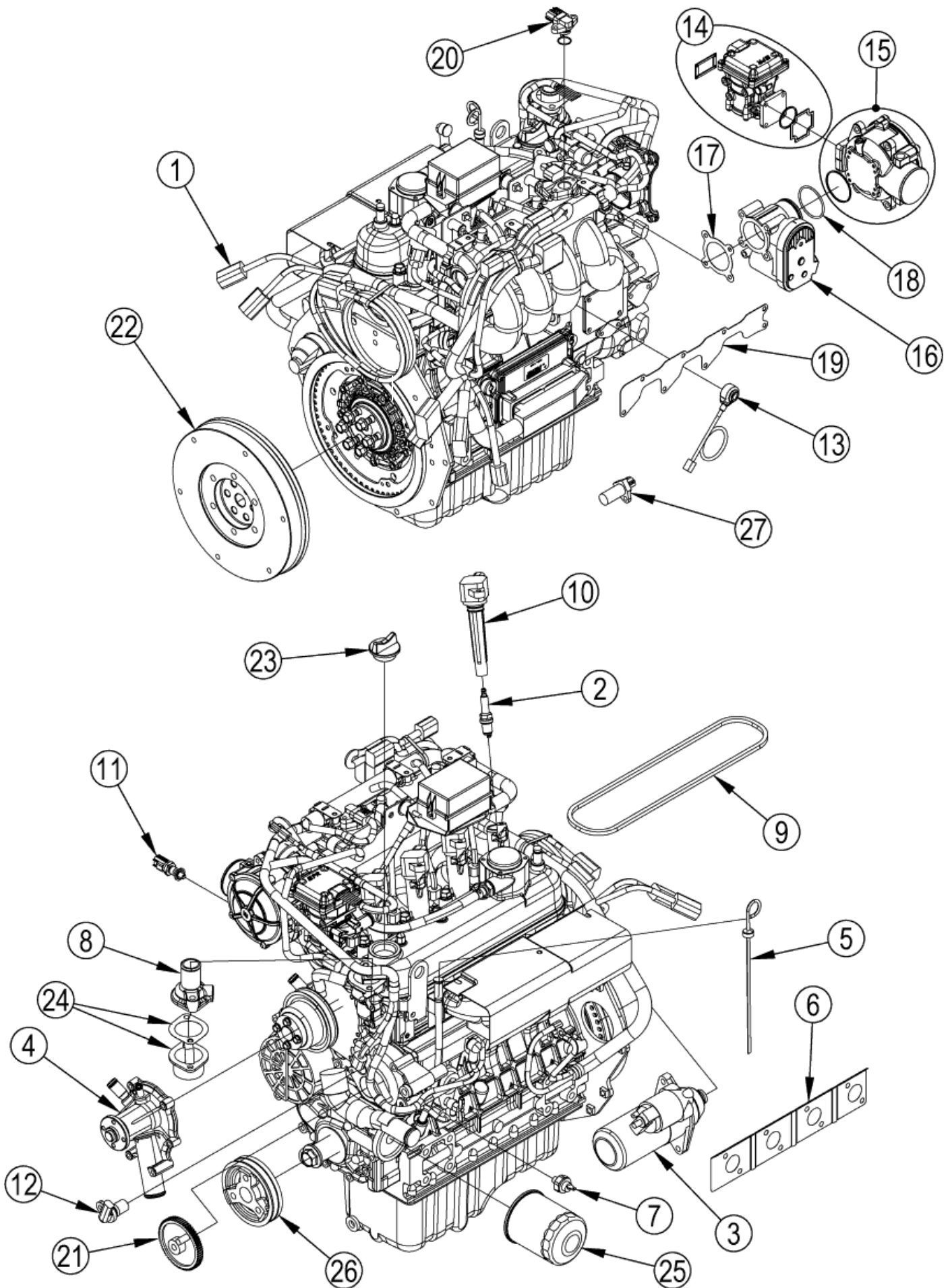
# ENGINE BASE ASSY - LPG

SW8000

05-04-2015

Part List ID  
SW800026A

31



# ENGINE BASE ASSY - LPG

SW8000

05-04-2015

Part List ID  
SW8000Z6A

32

Pos	Part no.	Qty	Description	
1	56107705	1	HARNESS-KUBOTA 4 CYL LPG	
2	56107706	4	SPARK PLUG	
3	56107707	1	STARTER	
4	56107708	1	WATER PUMP ASSY-LPG	
5	56107710	1	DIPSTICK	
6	56107711	1	GASKET-EXHAUST MANIFOLD	
7	56107712	1	OIL PRESSURE SWITCH	
8	56107716	1	COVER-THERMOSTAT	
9	56107717	1	GASKET-VALVE COVER	
10	56107718	4	IGNITION COIL	
11	56107721	1	WATER TEMP SENSOR W/SEAL	
12	56107736	1	CAM SENSOR	
13	56107737	1	KNOCK SENSOR	
14	56107738	1	DEPR ASSY	
15	56107739	1	MIXER ASSY	
16	56107740	1	THROTTLE BODY	
17	56107741	1	GASKET THROTTLE BODY	
18	56107742	1	O-RING	
19	56107743	1	GASKET INTAKE MANIFOLD	
20	56107744	1	TMAP SENSOR	
21	56107745	1	CAM GEAR	
22	56107746	1	FLYWHEEL	
23	56383025	1	CAP-OIL FILL	
24	56508454	1	THERMOSTAT KIT	
25	56508487	1	OIL FILTER CARTRIDGE	
26	56510973	1	PULLEY-CRANKSHAFT	
27	2-00-06354	1	CRANK/RPM SENSOR	
100	56107713	1	GASKET SET-UPPER	Not shown
100	56107714	1	GASKET SET-LOWER	Not shown
100	56107748	2	FUSE-15 AMP	Not shown
100	56107749	1	FUSE-10 AMP	Not shown
100	56107750	2	FUSE-5 AMP	Not shown
100	56107751	1	MICRO RELAY-35A/20A	Not shown
100	56107752	1	MINI RELAY-50A/30A	Not shown

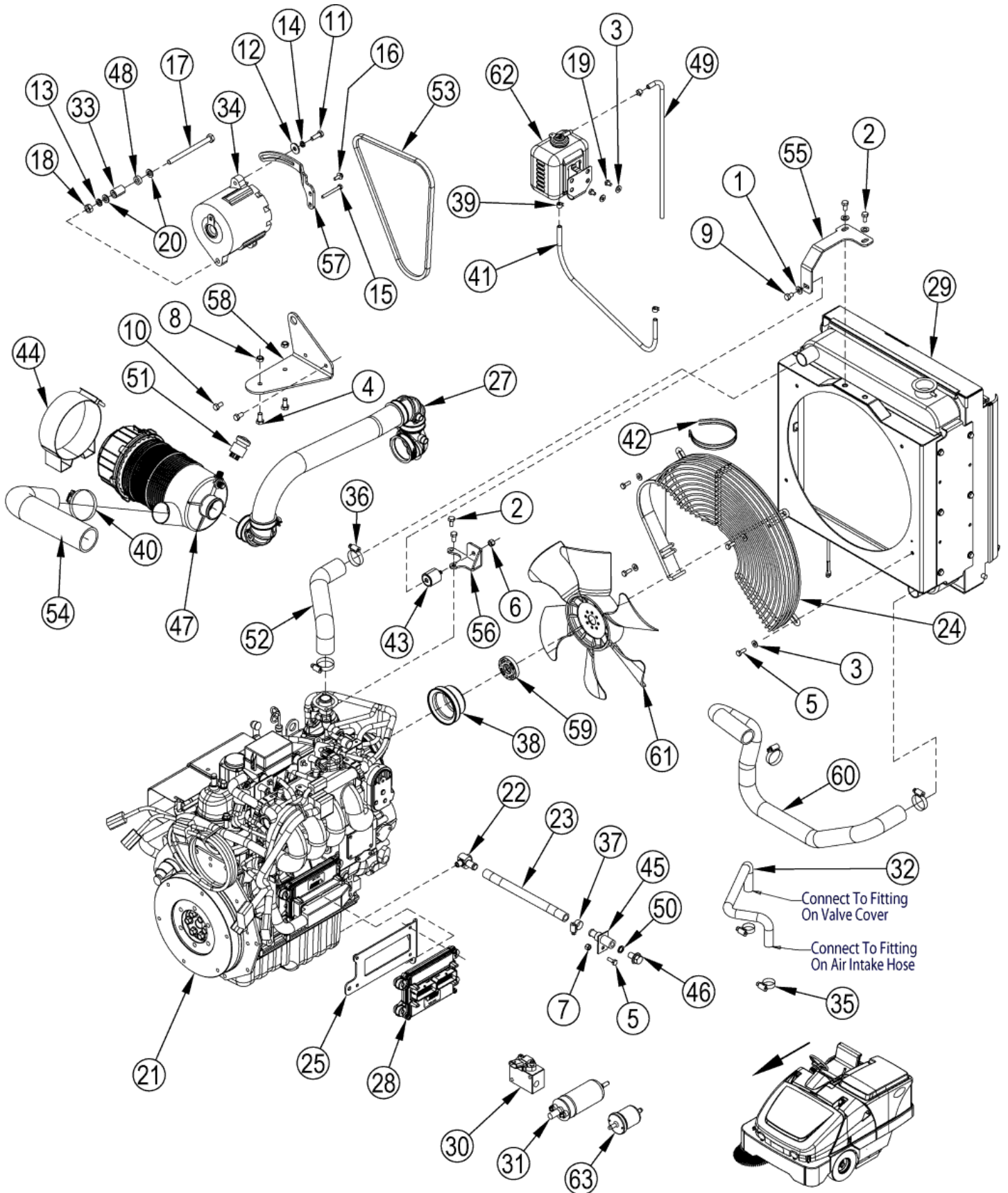
# ENGINE PETROL SYSTEM-1

SW8000

05-04-2015

Part List ID  
SW800028

33



# ENGINE PETROL SYSTEM-1

SW8000

05-04-2015

Part List ID  
SW800028

34

Pos	Part no.	Qty	Description
1	56001939	3	WSH FLT SAE 5/16
2	56002035	4	SCR HEX 5/16 18 X .62
3	56002098	6	WSH FLT SAE 1/4
4	56002127	2	SCR HEX 3/8-16 X .75
5	56002155	5	SCR HEX 1/4-20 X .75
6	56002701	1	NUT HEX NYL LOC 5/16-18
7	56002708	1	NUT HEX NYL LOC 1/4-20
8	56002841	2	NUT HEX NYL LOC-THIN 3/8-16
9	56002923	1	SCR HEX LOC 5/16-18 X .50
10	56003178	2	SCR HEX THD TO HD M8-1.25X16MM
11	56003436	1	SCR HEX SS M8-1.25X25MM
12	56003646	1	WSH FLT SS M8
13	56003684	1	WSH NORD LOCK M10
14	56003685	1	WASHER NORD LOC M8
15	56003764	1	SCR HEX M6-1 X 55MM
16	56003943	1	SCR-HEX FLANGE SS M6-1 X 16MM
17	56003944	1	SCR-HEX M10-1.25 X 130MM
18	56003945	1	NUT-HEX M10-1.25
19	56009019	2	SCR HEX THD FORM 1/4-20X .38
20	56009214	2	WSH FLT .406X.750X.090
21		1	NOTE COMMENT Engine Base-Kubota 4cyl Petrol
22	56107618	1	REMOTE OIL DRAIN VALVE ASSY
23	56107620	1	HOSE-HYDRAULIC
24	56107643	1	FAN GUARD ASSY
25	56107648	1	ECU-MOUNT PLATE
26	56107653	1	OPERATOR MANUAL
27	56107663	1	AIR INTAKE ASSY-PETROL
28	56107664	1	ECU-KUBOTA PETROL
29		1	NOTE COMMENT Radiator Assy-6 Fin (See Radiator Assembly)
30	56107670	1	FUEL MANIFOLD
31	56107671	1	FUEL PUMP
32	56107735	1	HOSE BREATHER
33	56107747	1	SPACER
34	56110738	1	ALTERNATOR 105 AMP
34	56510971	1	PULLEY-ALTERNATOR
35	56112771	2	CLAMP HOSE SAE 10 E00047
36	56131601	4	CLAMP HOSE SAE 16 E00047
37	56219932	1	CLAMP HOSE SAE 6 E00047
38	56307249	1	PULLEY FAN 89MM
39	56419118	3	CLAMP HOSE BAND 56E00615
40	56456797	1	CLAMP HOSE
41	56465028	1	HOSE ASSY 1/4X22.00 E00529
42	56478523	2	CABLE TIE E00549

# ENGINE PETROL SYSTEM-1

SW8000

05-04-2015

Part List ID  
SW800028

35

Pos	Part no.	Qty	Description
43	56507372	1	ISOLATOR ENGINE
44	56507389	1	BAND AIR CLEANER
45	56507496	1	REMOTE OIL DRAIN OUTLET
46	56507497	1	OIL DRAIN PLUG
47	56384031	1	AIR CLEANER ASSY
47	7-24-04065	1	FILTER AIR MAIN ELEMENT
47	7-24-04066	1	FILTER AIR SAFETY ELEMENT
48	56507795	1	SPACER COIL BRACKET
49	56507798	1	HOSE COOLANT OVERFLOW
50	56507998	1	SEAL
51	56507999	1	INDICATOR AIR
52	56508378	1	HOSE UPPER RADIATOR
53	56508393	1	BELT VEE
54	56508404	1	HOSE AIR INTAKE
55	56508427	1	BRACKET RADIATOR SUPPORT
56	56508428	1	BRACKET RADIATOR ISO SUPPORT
57	56508429	1	BRACKET ALTERNATOR
58	56508938	1	BRACKET AIR FILTER
59	56508941	1	SPACER FAN
60	56508942	1	HOSE LOWER COOLANT
61	56510140	1	FAN-COOLING
62	7-07-02002	1	OVERFLOW BOTTLE ASSY
63	7-24-04059	1	FUEL FILTER

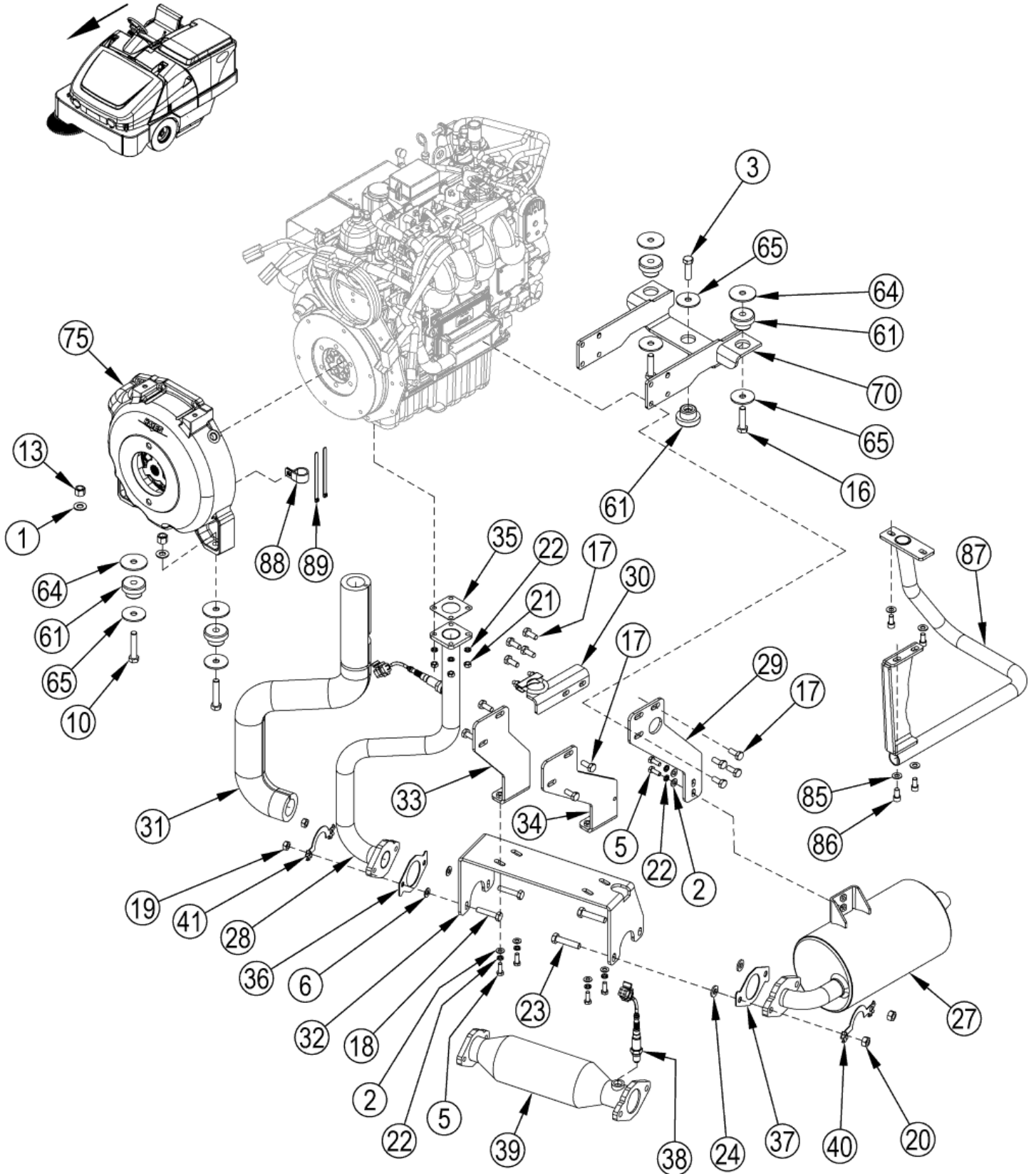
# ENGINE PETROL SYSTEM-2

SW8000

05-04-2015

Part List ID  
SW800030

36



# ENGINE PETROL SYSTEM-2

SW8000

05-04-2015

Part List ID  
SW800030

37

Pos	Part no.	Qty	Description
1	56001879	2	WSH FLT SAE 1/2
2	56001939	6	WSH FLT SAE 5/16
3	56001995	1	SCR HEX 1/2 13 X 1.75
5	56002037	6	SCR HEX 5/16-18 X .88
6	56002063	2	WSH FLT SAE 3/8
10	56002533	2	SCR HEX 1/2-13 X 2.50
13	56002770	2	NUT HEX NYL LOC 1/2-13
16	56002983	2	SCR HEX 1/2-13 X 2.00
17	56003019	12	SCR HEX M10-1.25 X 25 MM
18	56003021	2	SCR HEX M10-1.25 X 50 MM
19	56003409	2	NUT HEX M10-1.5
20	56003410	2	NUT-HEX M12-1.75
21	56003352	4	NUT HEX M8
22	56003685	10	WASHER NORD LOC M8
23	56003708	2	SCR HEX M12-1.75 X 55MM
24	56003889	2	WSH-FLT 12MM
27	56107550	1	MUFFLER
28	56107558	1	EXHAUST TUBE WELDMENT
29	56107566	1	HANGER MUFFLER
30	56107568	1	CLAMP BRACKET WELDMENT
31	56107581	1	BLANKET EXHAUST
32	56107582	1	HANGER CATALYTIC
33	56107585	1	MOUNT RT WELDMENT
34	56107586	1	MOUNT LT WELDMENT
35	56107590	1	GASKET MANIFOLD
36	56107591	1	GASKET CAT INLET
37	56107592	1	GASKET CAT OUTLET
38	56107613	2	SENSOR OXYGEN
39	56107614	1	CATALYST KUBOTA
40	56107616	1	LOCK SCREW
41	56107617	1	LOCK SCREW
61	56478685	5	MOUNT ENGINE RE446H
64	56507444	4	WASHER ISOLATOR HEAD
65	56507448	5	WASHER ISOLATOR TAIL
70	56507988	1	BRACKET ENGINE MOUNT DIESEL
75	56508403	1	BELL HOUSING
85	56002063	4	WSH FLT SAE 3/8
86	56003080	4	SCR SOC HD 3/8-16 X 0.75
87	56107645	1	GUARD MUFFLER WELDT
88	56303651	1	CLAMP P CL-16
89	2-00-04345	2	TY-RAP THOMAS+BETTS-TY-28M

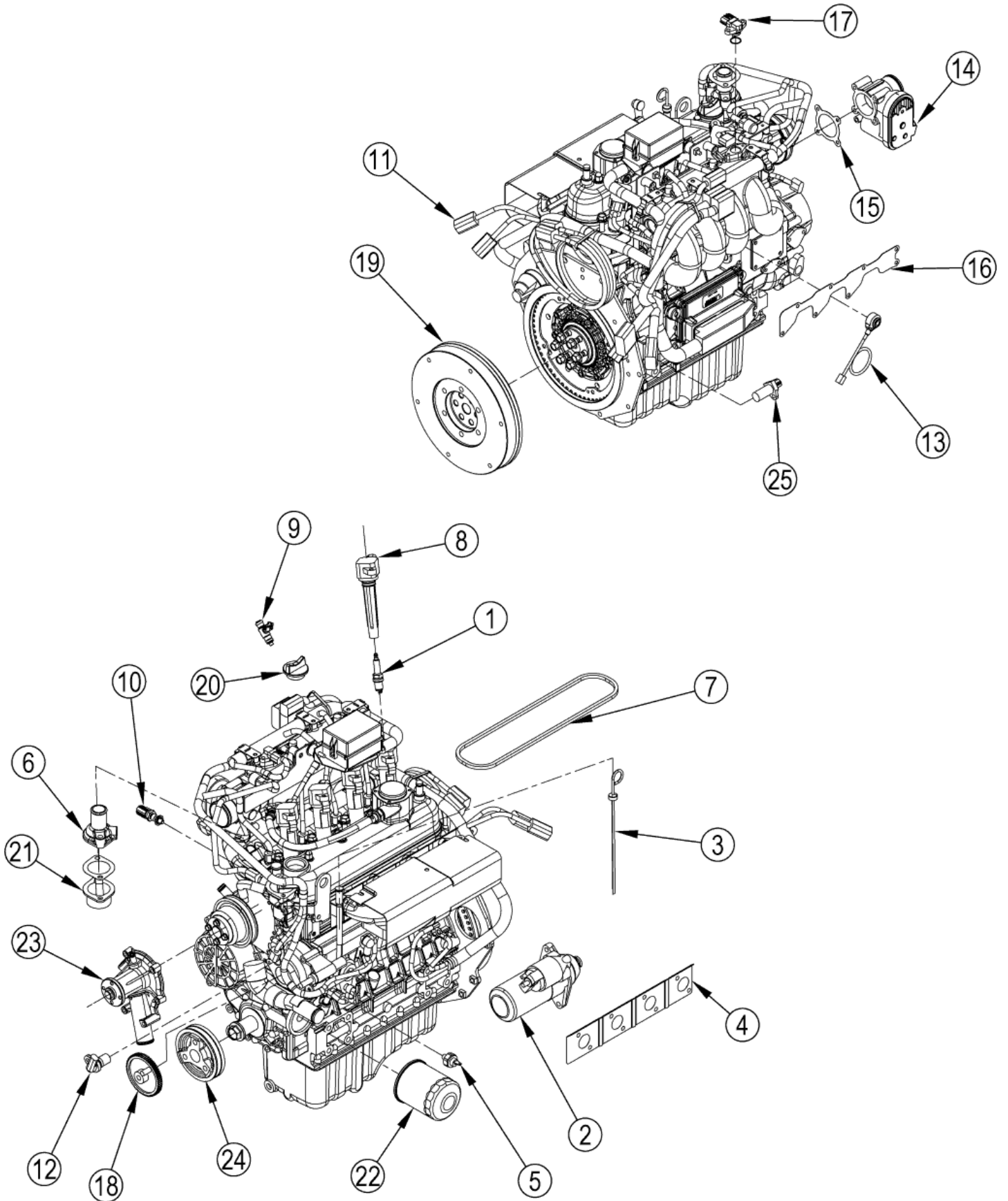
# ENGINE BASE ASSY - PETROL

SW8000

05-04-2015

Part List ID  
SW800030A

38





# ENGINE BASE ASSY - PETROL

SW8000

05-04-2015

Part List ID  
SW800030A

39

Pos	Part no.	Qty	Description	
1	56107706	4	SPARK PLUG	
2	56107707	1	STARTER	
3	56107710	1	DIPSTICK	
4	56107711	1	GASKET-EXHAUST MANIFOLD	
5	56107712	1	OIL PRESSURE SWITCH	
6	56107716	1	COVER-THERMOSTAT	
7	56107717	1	GASKET-VALVE COVER	
8	56107718	4	IGNITION COIL	
9	56107720	4	INJECTOR	
10	56107721	1	WATER TEMP SENSOR W/SEAL	
11	56107723	1	HARNESS-KUBOTA 4 CYL PETROL	
12	56107736	1	CAM SENSOR	
13	56107737	1	KNOCK SENSOR	
14	56107740	1	THROTTLE BODY	
15	56107741	1	GASKET THROTTLE BODY	
16	56107743	1	GASKET INTAKE MANIFOLD	
17	56107744	1	TMAP SENSOR	
18	56107745	1	CAM GEAR	
19	56107746	1	FLYWHEEL	
20	56383025	1	CAP-OIL FILL	
21	56508454	1	THERMOSTAT KIT	
22	56508487	1	OIL FILTER CARTRIDGE	
23	56510970	1	WATER PUMP-D1305	
24	56510973	1	PULLEY-CRANKSHAFT	
25	2-00-06354	1	CRANK/RPM SENSOR	
100	56107713	1	GASKET SET-UPPER	Not shown
100	56107714	1	GASKET SET-LOWER	Not shown
100	56107748	3	FUSE-15 AMP	Not shown
100	56107749	1	FUSE-10 AMP	Not shown
100	56107750	1	FUSE-5 AMP	Not shown
100	56107751	2	MICRO RELAY-35A/20A	Not shown
100	56107752	1	MINI RELAY-50A/30A	Not shown

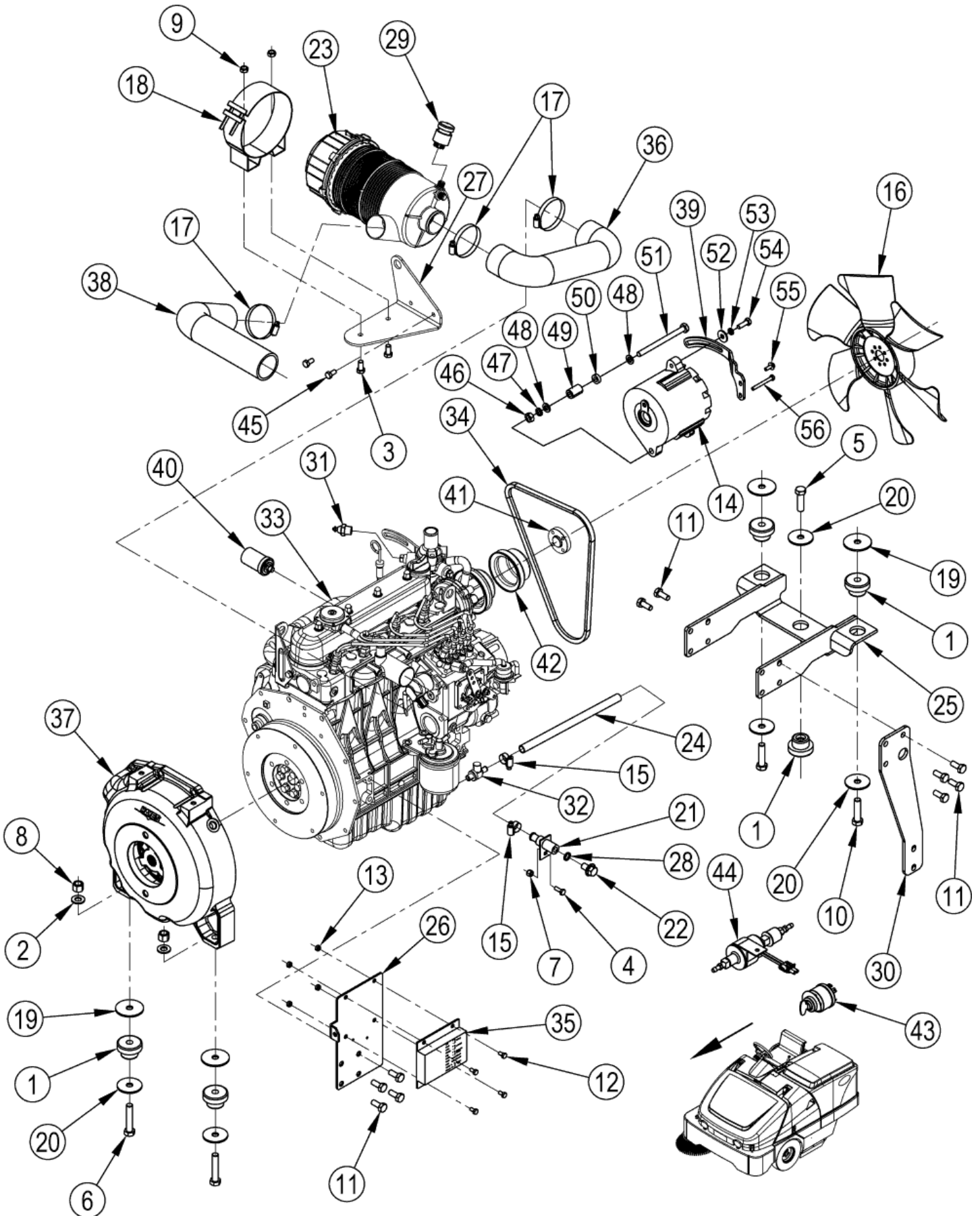
# ENGINE [KUBOTA] DIESEL SYSTEM-1

SW8000

05-04-2015

Part List ID  
SW800032

40



# ENGINE [KUBOTA] DIESEL SYSTEM-1

SW8000

05-04-2015

Part List ID  
SW800032

41

Pos	Part no.	Qty	Description
1	56478685	5	MOUNT ENGINE RE446H
2	56001879	2	WSH FLT SAE 1/2
3	56002127	2	SCR HEX 3/8-16 X .75
4	56002155	1	SCR HEX 1/4-20 X .75
5	56001995	1	SCR HEX 1/2 13 X 1.75
6	56002533	2	SCR HEX 1/2-13 X 2.50
7	56002708	1	NUT HEX NYL LOC 1/4-20
8	56002770	2	NUT HEX NYL LOC 1/2-13
9	56002841	2	NUT HEX NYL LOC-THIN 3/8-16
10	56002983	2	SCR HEX 1/2-13 X 2.00
11	56003019	10	SCR HEX M10-1.25 X 25 MM
12	56003155	4	SCR HEX M6-1.0 X 12MM
13	56003744	4	NUT SELF CLINCHING M6 X 1.0
14	56110738	1	ALTERNATOR 105 AMP
15	56219932	2	CLAMP HOSE SAE 6 E00047
16	56510140	1	FAN-COOLING
17	56456797	3	CLAMP HOSE
18	56507389	1	BAND AIR CLEANER
19	56507444	4	WASHER ISOLATOR HEAD
20	56507448	5	WASHER ISOLATOR TAIL
21	56507496	1	REMOTE OIL DRAIN OUTLET
22	56507497	1	OIL DRAIN PLUG
23	56384031	1	AIR CLEANER ASSY
23	7-24-04065	1	FILTER AIR MAIN ELEMENT
23	7-24-04066	1	FILTER AIR SAFETY ELEMENT
24	56507964	1	HOSE HYDRAULIC
25	56507988	1	BRACKET ENGINE MOUNT DIESEL
26	56507991	1	BRACKET FUEL PUMP
27	56508938	1	BRACKET AIR FILTER
28	56507998	1	SEAL
29	56507999	1	INDICATOR AIR
30	56508212	1	BRACKET MUFFLER HANGER
31	56419091	1	SWITCH TEMPERATURE
32	56508375	1	ADAPTER
33		1	NOTE COMMENT Engine, 4 Cyl Diesel
34	56508393	1	BELT VEE
35	56508400	1	GOVERNOR CONTROLLER
36	56508402	1	HOSE AIR INTAKE
37	56508403	1	BELL HOUSING
38	56508404	1	HOSE AIR INTAKE
39	56508004	1	HARNES KUBOTA DIESEL
39	56508429	1	BRACKET ALTERNATOR
40	56508444	1	SWITCH PRESSURE

NOTE 1: For replacement on model 56107517 order Fan 56462870.

# ENGINE [KUBOTA] DIESEL SYSTEM-1

SW8000

05-04-2015

Part List ID  
SW800032

42

Pos	Part no.	Qty	Description
41	56508941	1	SPACER FAN
42	56307249	1	PULLEY FAN 89MM
43	56497754	1	KEY SWITCH
44	56508355	1	FUEL PUMP ELECTRONIC
45	56003178	2	SCR HEX THD TO HD M8-1.25X16MM
46	56003945	1	NUT-HEX M10-1.25
47	56003684	1	WSH NORD LOCK M10
48	56009214	2	WSH FLT .406X.750X.090
49	56107747	1	SPACER
50	56507795	1	SPACER COIL BRACKET
51	56003944	1	SCR-HEX M10-1.25 X 130MM
52	56003646	1	WSH FLT SS M8
53	56003685	1	WASHER NORD LOC M8
54	56003436	1	SCR HEX SS M8-1.25X25MM
55	56003943	1	SCR-HEX FLANGE SS M6-1 X 16MM
56	56003764	1	SCR HEX M6-1 X 55MM

NOTE 1: For replacement on model 56107517 order Fan 56462870.

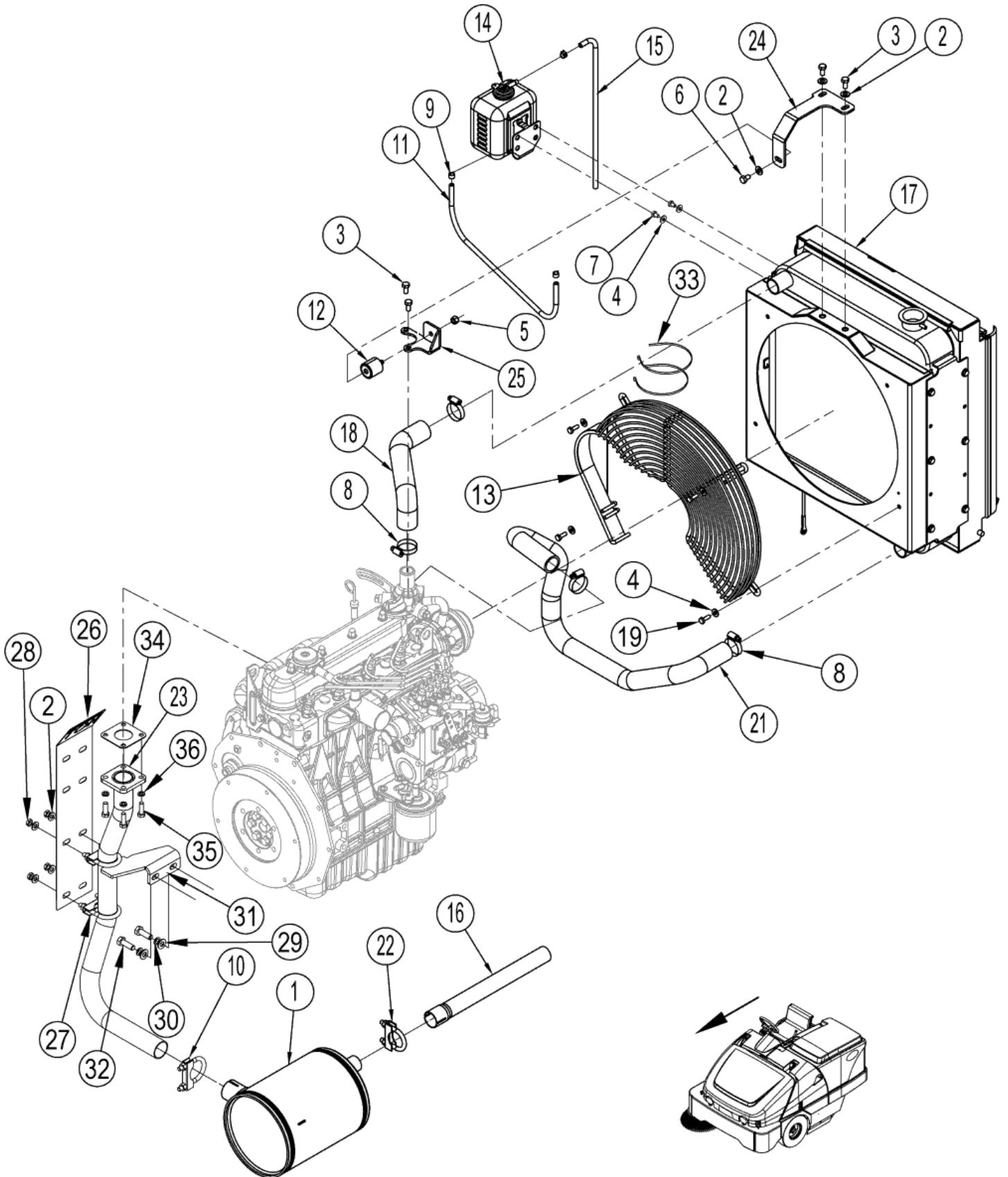
# ENGINE [KUBOTA] DIESEL SYSTEM-2

SW8000

05-04-2015

Part List ID  
SW800034

43



# ENGINE [KUBOTA] DIESEL SYSTEM-2

SW8000

05-04-2015

Part List ID  
SW800034

44

Pos	Part no.	Qty	Description
1	7-49-00038	1	MUFFLER SC 7740
2	56001939	7	WSH FLT SAE 5/16
3	56002035	4	SCR HEX 5/16 18 X .62
4	56002098	6	WSH FLT SAE 1/4
5	56002701	1	NUT HEX NYL LOC 5/16-18
6	56002923	1	SCR HEX LOC 5/16-18 X .50
7	56009019	2	SCR HEX THD FORM 1/4-20X .38
8	56131601	5	CLAMP HOSE SAE 16 E00047
9	56419118	3	CLAMP HOSE BAND 56E00615
10	56456833	1	MUFFLER CLAMP 1 5/8 E00025
11	56465028	1	HOSE ASSY 1/4X22.00 E00529
12	56507372	1	ISOLATOR ENGINE
13	56107643	1	FAN GUARD ASSY
14	7-07-02002	1	OVERFLOW BOTTLE ASSY
15	56507798	1	HOSE COOLANT OVERFLOW
16	56507871	1	TAIL PIPE
17		1	NOTE COMMENT Radiator Assy (See Radiator Assembly)
18	56508378	1	HOSE UPPER RADIATOR
19	56002155	4	SCR HEX 1/4-20 X .75
21	56381962	1	HOSE LOWER RADIATOR
21	56508942	1	HOSE LOWER COOLANT
22	56508391	1	CLAMP MUFFLER
23	56508397	1	EXHAUST ASSEMBLY
24	56508427	1	BRACKET RADIATOR SUPPORT
25	56508428	1	BRACKET RADIATOR ISO SUPPORT
26	56507449	1	SHIELD EXHAUST HEAT
27	56343236	2	CLAMP MUFFLER AS42U E00025
28	56009086	4	NUT HEX JAM 5/16 18
29	56002063	2	WSH FLT SAE 3/8
30	2-00-02310	2	LK WASH HELICAL SPR ZN
31	56508910	1	EXHAUST PIPE BRACKET
32	2-00-05961	2	SCREW HHC M10 X 1.25 X 30MM
33	56478523	2	CABLE TIE E00549
34	56419107	1	EXHAUST GASKET
35	56003436	4	SCR HEX SS M8-1.25X25MM
36	56003685	4	WASHER NORD LOC M8

NOTE 1: Replacement part for rubber elbow which connects directly to the water pump.

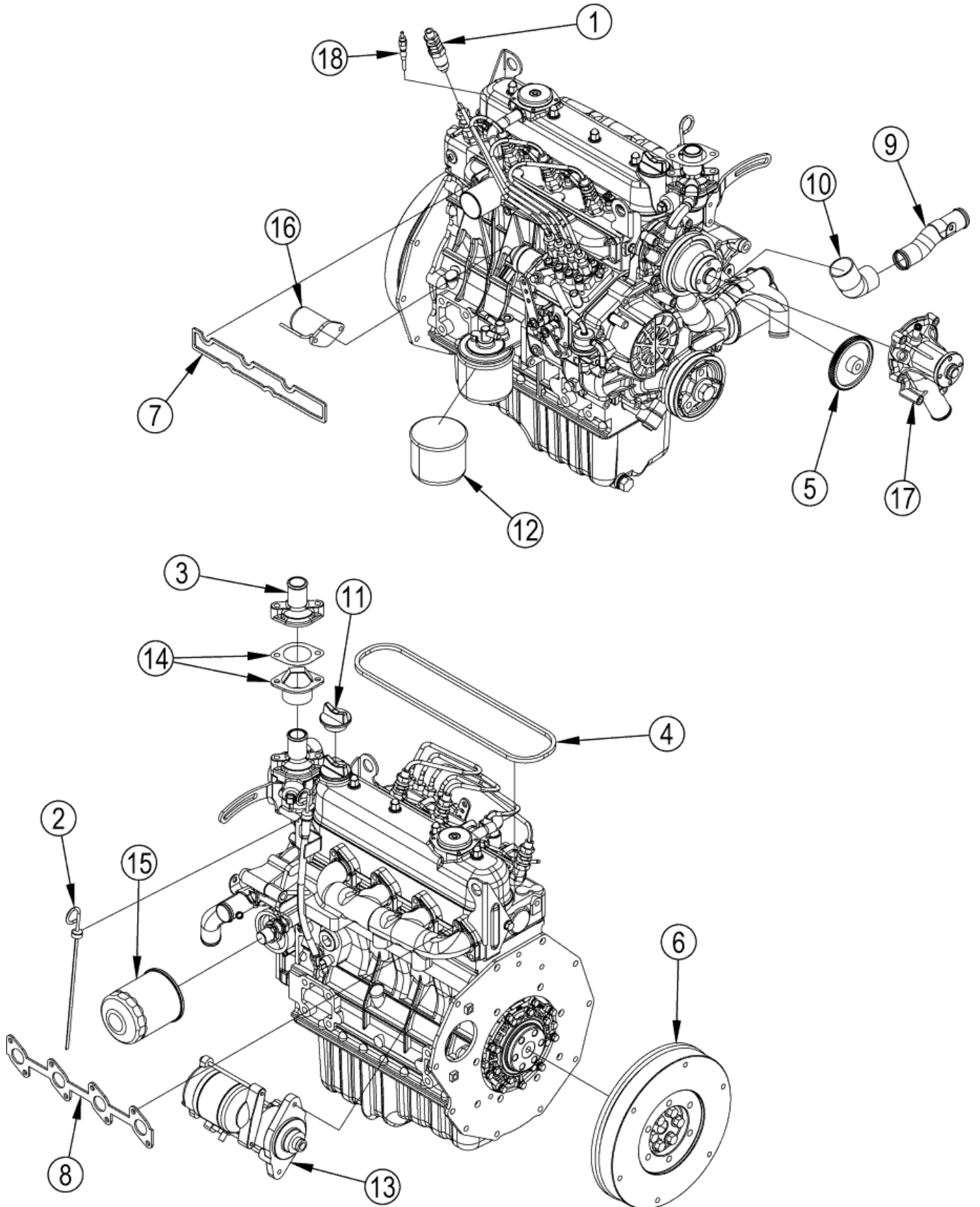
# ENGINE BASE ASSY - (KUBOTA) DIESEL

SW8000

05-04-2015

Part List ID  
SW800034A

45



# ENGINE BASE ASSY - (KUBOTA) DIESEL

SW8000

05-04-2015

Part List ID  
SW800034A

46

Pos	Part no.	Qty	Description	
1	33019750	4	IGNITION UNIT	
2	56107710	1	DIPSTICK	
3	56107716	1	COVER-THERMOSTAT	
4	56107717	1	GASKET-VALVE COVER	
5	56107758	1	CAM GEAR	
6	56107759	1	FLYWHEEL	
7	56107760	1	GASKET INTAKE	
8	56107761	1	GASKET EXHAUST	
9	56381961	1	TUBE COOLANT	
10	56381962	1	HOSE LOWER RADIATOR	
11	56383025	1	CAP-OIL FILL	
12	56419086	1	FUEL FILTER CARTRIDGE	
13	56419089	1	STARTER MOTOR	
14	56508454	1	THERMOSTAT KIT	
15	56508487	1	OIL FILTER CARTRIDGE	
16	56508490	1	THROTTLE/SHUT DOWN ACTUATOR	
17	56510970	1	WATER PUMP-D1305	
18	56510975	4	GLOW PLUG	
100	56107762	1	GASKET SET-UPPER	Not shown
100	56107763	1	GASKET SET-LOWER	Not shown
100	56110738	1	ALTERNATOR 105 AMP	Not shown
100	56382861	1	COUPLING PUMP DRIVE-KUBOTA	Not shown
100	56419088	1	THERMOSTAT	Not shown
100	56419091	1	SWITCH TEMPERATURE	Not shown
100	56463590	1	GLOW PLUG TIMER	Not shown
100	56504545	1	SEAL-CRANK -OIL-FRONT	Not shown
100	56504546	1	SEAL-CRANK -OIL-REAR	Not shown
100	56508355	1	FUEL PUMP ELECTRONIC	Not shown
100	56508393	1	BELT VEE	Not shown
100	56508444	1	SWITCH PRESSURE	Not shown
100	56508470	1	OPERATOR MANUAL	Not shown
100	56508489	1	THERMOSTAT GASKET	Not shown



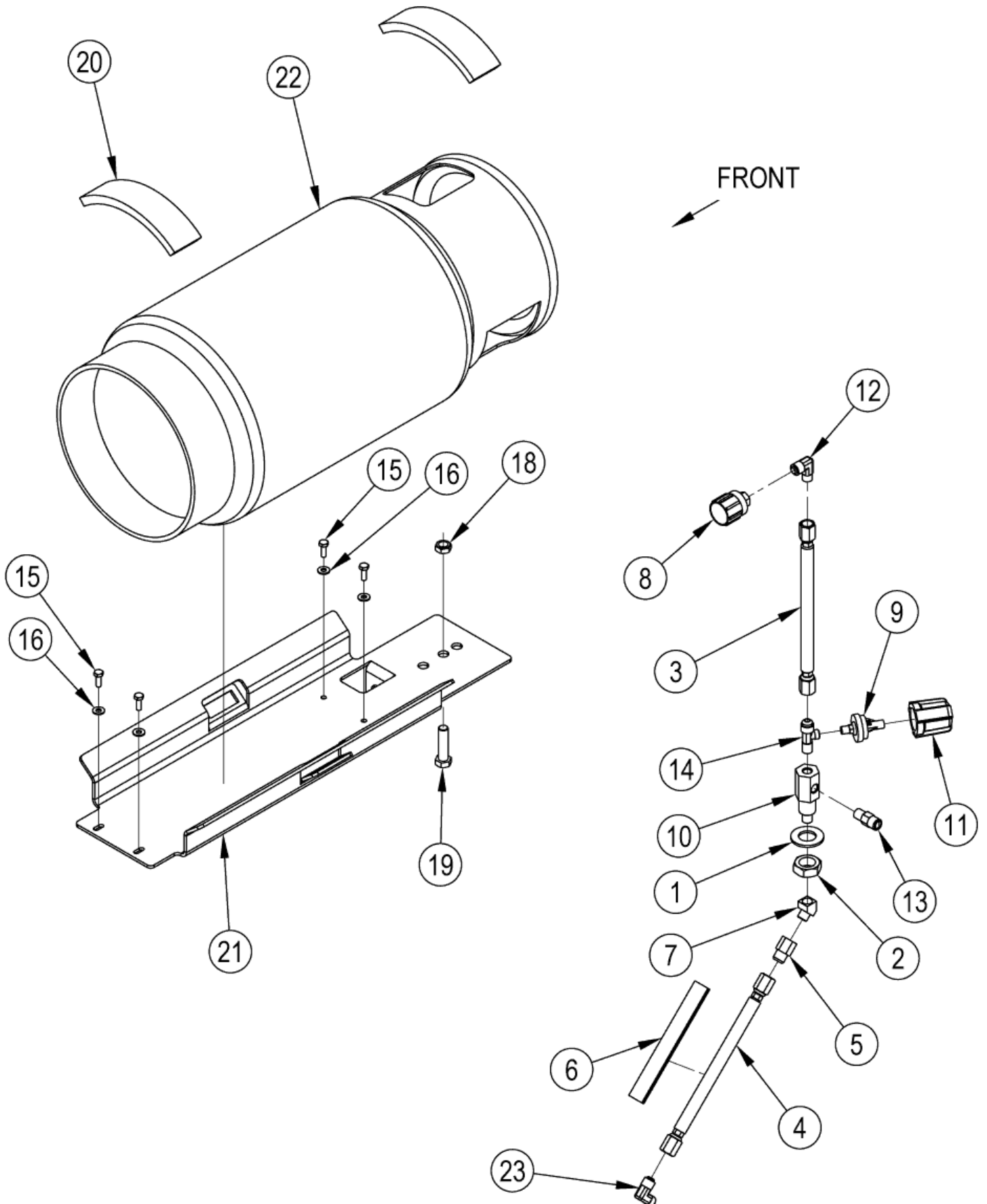
# ENGINE LPG TANK & FILTER ASSY

SW8000

05-04-2015

Part List ID  
SW800036

47



# ENGINE LPG TANK & FILTER ASSY

SW8000

05-04-2015

Part List ID  
SW800036

48

Pos	Part no.	Qty	Description
0	56507057	1	LPG TANK ASSEMBLY (items 15-22) (used on both Cab & Non-Cab models)
0	56507347	1	LPG FILTER ASSEMBLY (items 1-14) (used on Non-Cab models only)
1	56002228	1	WSH FLT SAE 7/8
2	56002615	1	NUT HEX JAM 7/8-14
3	56305503	1	LPG HOSE ASSEMBLY
4	56305504	1	LPG HOSE ASSEMBLY
5	56305505	1	ADAPTER SAE 45 DEGREE
6	56305506	1	CONDUIT
7	56368938	1	ELBOW ST 1/4X45 BR E00029
8	56369675	1	COUPLER FEMALE CV140P
9	56418381	1	SWITCH N C PRESSURE
10	56418934	1	FITTING BULKHEAD
11	56419241	1	DUST BOOT
12	56456608	1	ELBOW 90 DEG-4-6B E00034
13	56456624	1	VENT 1/4 NPT
14	56900921	1	TEE
15	56009033	4	SCR HEX THD FORM 1/4 20X.50
16	56002098	4	WSH FLT SAE 1/4
18	56002843	1	NUT HEX NYL LOC-THIN 1/2-13
19	56003740	1	SCR HEX THD TO HD 1/2-13X2.00
20	56507336	2	GASKET LPG TANK MOUNT
21	56507558	1	SUPPORT LPG TANK
22	56456590	1	L.P. TANK
23	56456608	1	ELBOW 90 DEG-4-6B E00034

# ENGINE [KUBOTA] DIESEL FUEL TANK ASS'

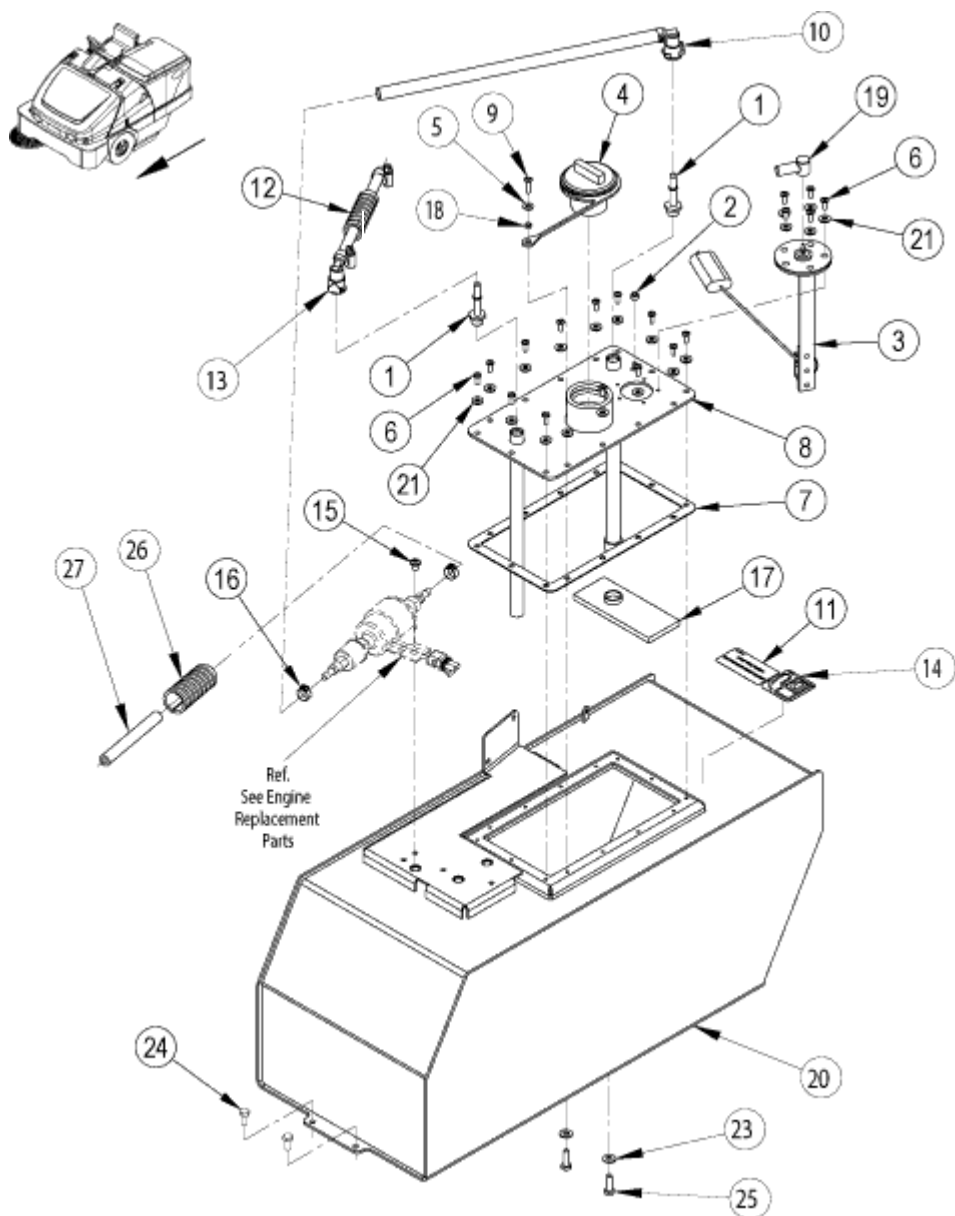
SW8000

05-04-2015

Part List ID

SW800038

49



# ENGINE [KUBOTA] DIESEL FUEL TANK ASS'

## SW8000

05-04-2015

Part List ID  
SW800038

50

Pos	Part no.	Qty	Description
0	56508333	1	TANK DIESEL ASSY (items 1-11, 14-20)
1	7-11-04083	2	FITTING -6 STOR-5/16 SAE J2044
3	56478358	1	SENDER FUEL LEVEL RE437A
4	56508354	1	FUEL CAP
5	56001954	1	WSH FLT SAE 10
6	56001993	18	SCREW 10-24 X 0.5 ZINC PL
7	56508349	1	GASKET COVER
8	56508348	1	COVER PLATE WELDT
9	56002192	1	SCR PAN PHIL 10-24 X .75
10	56507957	1	HOSE ASSY
11	56109404	1	DECAL-LOW SULFUR DIESEL
12	56508654	1	CONDUIT
13	56508646	1	HOSE ASSY
14	56025454	1	DECAL DIESEL FUEL
15	56003603	1	SCR PAN PHILTHDFORM 1/4-20X.38
16	56508515	2	CLAMP
17	56419307	1	GASOLINE STRAINER-30 MICRON
18	56454275	1	BUSHING .20X.31X.12
19	56492305	1	BOOT
20	56507946	1	TANK FUEL WELDMENT
23	56002098	2	WSH FLT SAE 1/4
24	56009033	2	SCR HEX THD FORM 1/4 20X.50
25	56001821	2	SCR HEX 1/4 20 X .88
26	56508357	1	CONDUIT
27	56508358	1	HOSE FUEL LINE

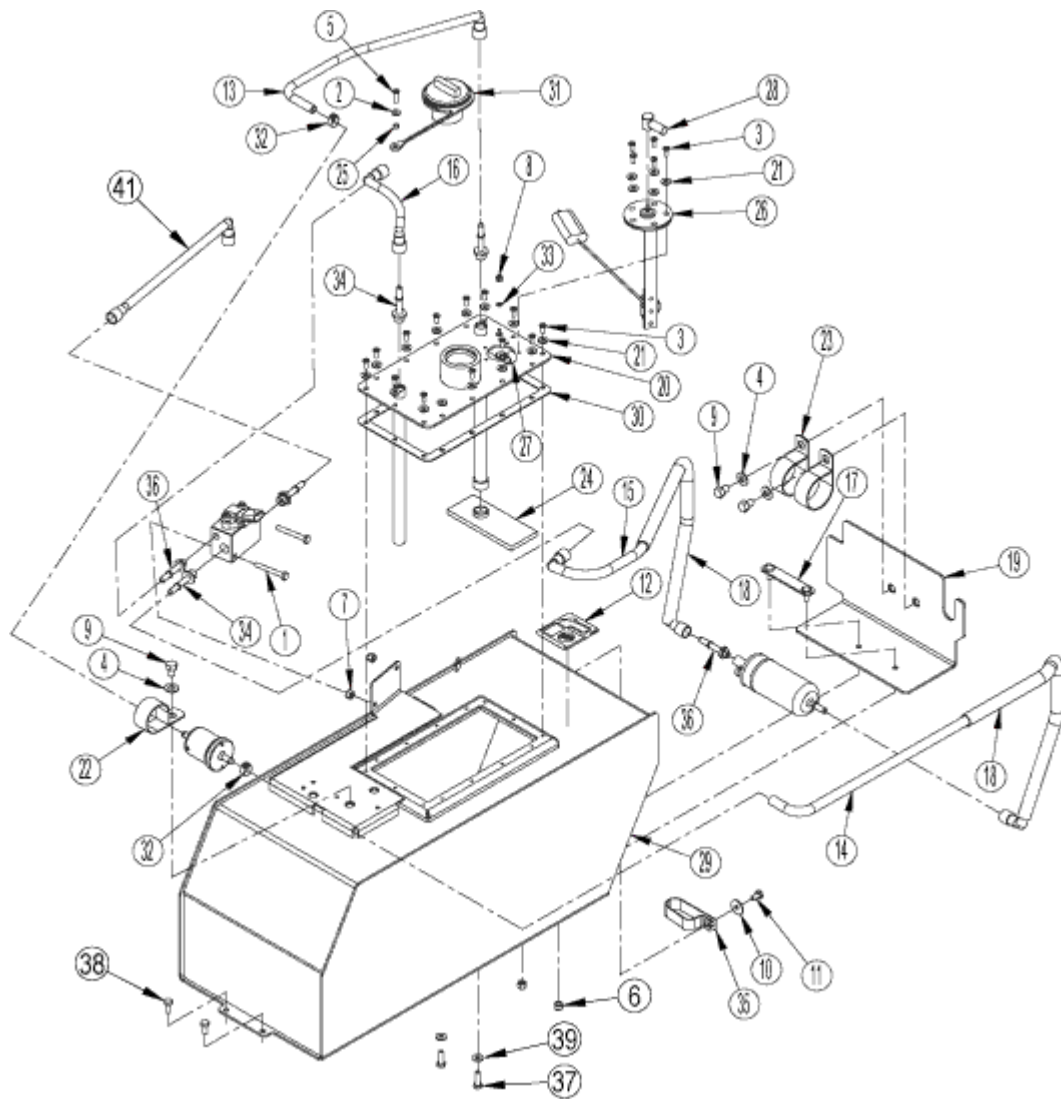
# ENGINE PETROL FUEL TANK ASSY

SW8000

05-04-2015

Part List ID  
SW800040

51



# ENGINE PETROL FUEL TANK ASSY

SW8000

05-04-2015

Part List ID  
SW800040

52

Pos	Part no.	Qty	Description
0	56107666	1	TANK-PETROL ASSY (items 1-36)
1	56001874	2	SCR HEX 1/4-20 X 2.00
2	56001954	1	WSH FLT SAE 10
3	56001993	18	SCREW 10-24 X 0.5 ZINC PL
4	56002063	3	WSH FLT SAE 3/8
5	56002192	1	SCR PAN PHIL 10-24 X .75
6	56002491	2	NUT HEX NYL LOC SS 1/4-20
7	56002708	2	NUT HEX NYL LOC 1/4-20
8	56002808	1	NUT HEX NYL LOC 8-32
9	56003023	3	SCR HEX LOC 3/8-16 X .50
10	56009002	1	WASHER FLAT .266X.906X.060
11	56009033	1	SCR HEX THD FORM 1/4 20X.50
12	56016226	1	DECAL UNLEADED FUEL
13	56107594	1	FUEL HOSE ASSY
14	56107595	1	FUEL HOSE ASSY
15	56107596	1	FUEL HOSE ASSY
16	56107754	1	FUEL HOSE ASSY
17	56107767	1	PLATE-SCREW
18	56107772	2	CONDUIT-BLACK-20X.75
19	56107773	1	GUARD-FUEL PUMP WELDMENT
20	56107776	1	COVER PLATE WELDT
21	56209261	19	WASHER SEALING
22	56305024	1	CLAMP P
23	56305492	2	CLAMP P
24	56419307	1	GASOLINE STRAINER-30 MICRON
25	56454275	1	BUSHING .20X.31X.12
26	56478358	1	SENDER FUEL LEVEL RE437A
27	56486112	1	CLAMP P
28	56492305	1	BOOT
29	56507946	1	TANK FUEL WELDMENT
30	56508349	1	GASKET COVER
31	56508354	1	FUEL CAP
32	56508515	2	CLAMP
33	2-00-00506	1	LK WASH INT TOOTH 8 DIA SCREW
34	7-11-04083	4	FITTING -6 STOR-5/16 SAE J2044
35	2-00-05253	1	CLAMP
36	7-11-04084	2	FITTING -3 STOR-5/16 SAE J2044
37	56001821	2	SCR HEX 1/4 20 X .88
38	56009033	2	SCR HEX THD FORM 1/4 20X.50
39	56002098	2	WSH FLT SAE 1/4
41	56107597	1	FUEL HOSE ASSY
50	56305790	1	WIRE ASM PIGTAIL
50	56508003	1	HARNESS GASOLINE SENSOR

# ENGINE PETROL FUEL TANK ASSY

SW8000

05-04-2015

Part List ID  
SW800040

53

Pos	Part no.	Qty	Description
-----	----------	-----	-------------

50	56508357	1	CONDUIT
----	----------	---	---------

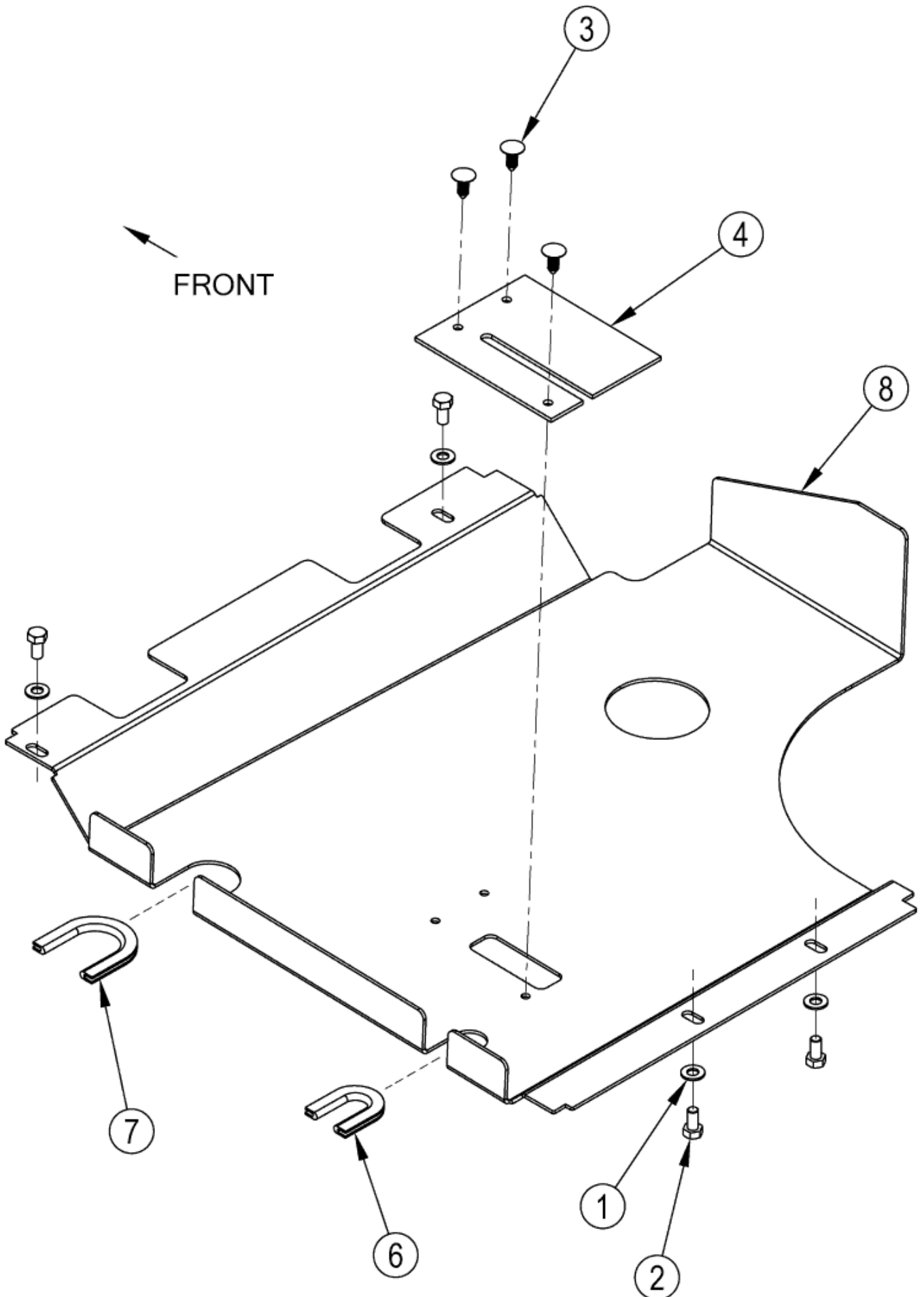
# ENGINE BOTTOM COVER ASSY - DIESEL

SW8000

05-04-2015

Part List ID  
SW800042

54





# ENGINE BOTTOM COVER ASSY - DIESEL

SW8000

05-04-2015

Part List ID  
SW800042

55

Pos	Part no.	Qty	Description
0	56107622	1	BOTTOM ENGINE COVER ASSY (items 1-8)
1	56001939	4	WSH FLT SAE 5/16
2	56002929	4	SCR HEX LOC 5/16-18 X .62
3	56003263	3	RIVET NYLON TREE PUSH IN.25
4	56107608	1	SEAL BOTTOM COVER
6	56107610	1	TRIM-EDGE
7	56107611	1	TRIM-EDGE
8	56107623	1	BOTTOM ENGINE COVER

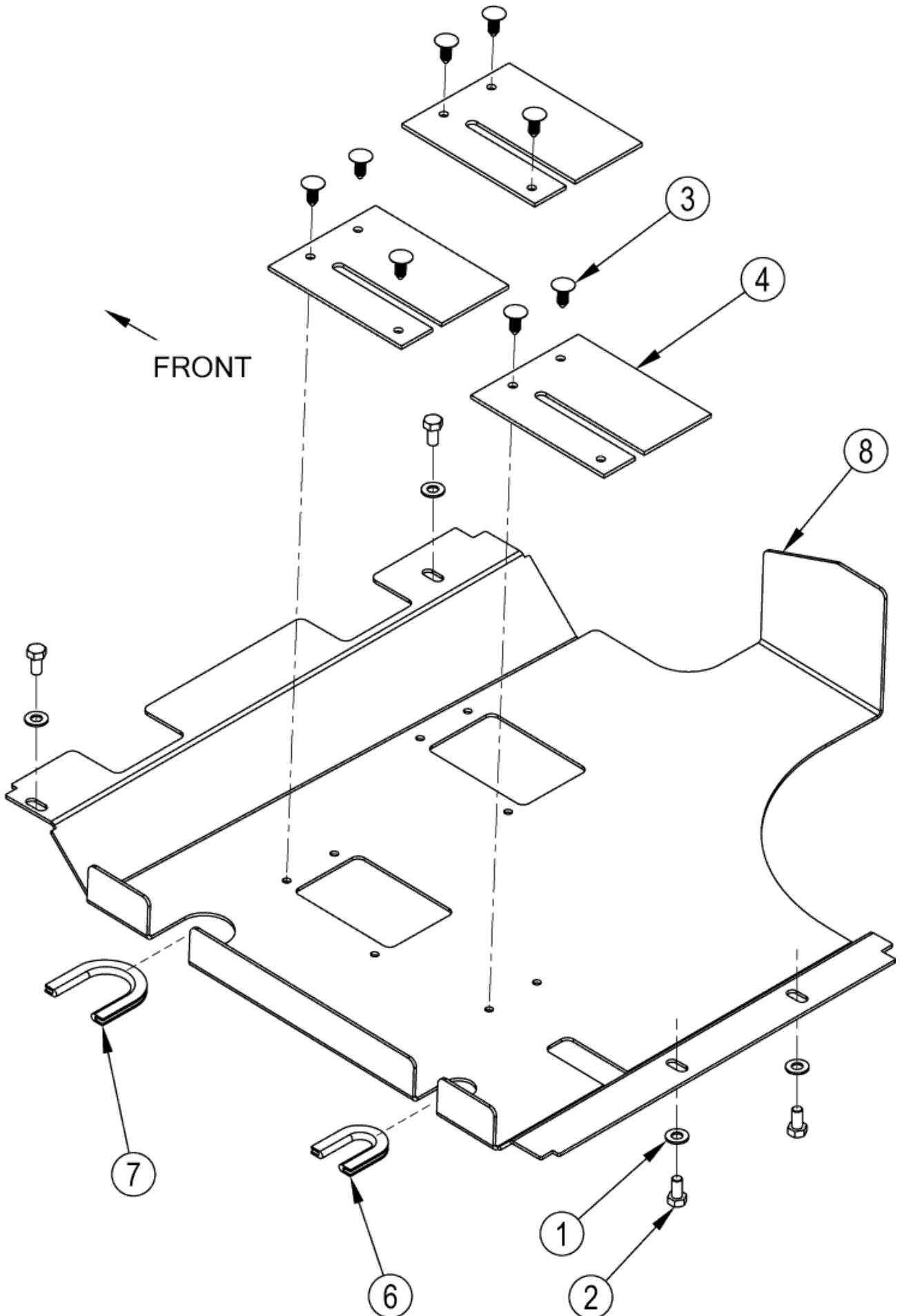
# ENGINE BOTTOM COVER ASSY - LPG-PETRC

SW8000

05-04-2015

Part List ID  
SW800044

56



# ENGINE BOTTOM COVER ASSY - LPG-PETRC

SW8000

05-04-2015

Part List ID  
SW800044

57

Pos	Part no.	Qty	Description
0	56107606	1	BOTTOM ENGINE COVER ASSY (items 1-8)
1	56001939	4	WSH FLT SAE 5/16
2	56002929	4	SCR HEX LOC 5/16-18 X .62
3	56003263	8	RIVET NYLON TREE PUSH IN.25
4	56107608	3	SEAL BOTTOM COVER
6	56107610	1	TRIM-EDGE
7	56107611	1	TRIM-EDGE
8	56107607	1	BOTTOM ENGINE COVER

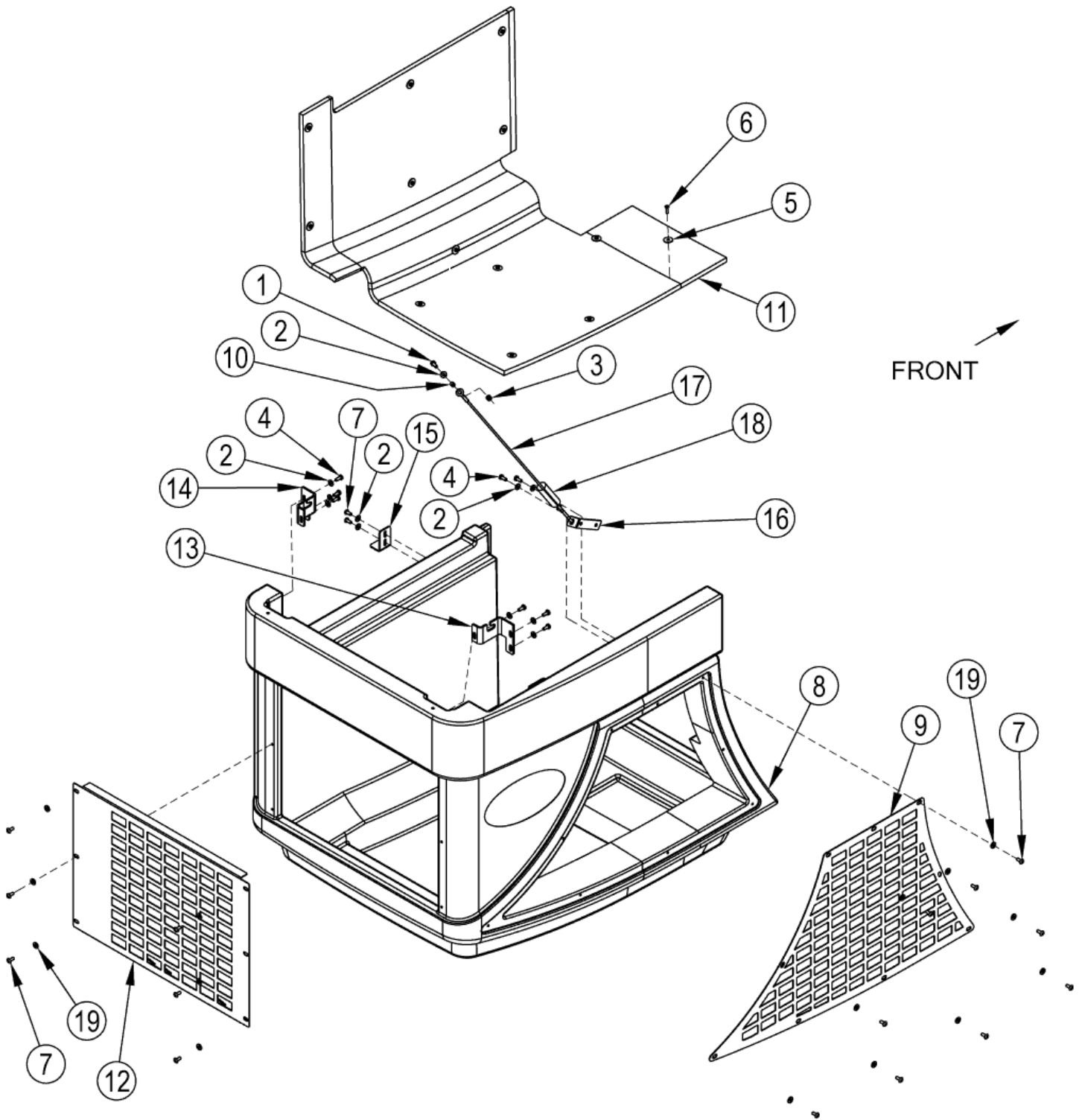
# ENGINE REAR COVER ASSY

SW8000

05-04-2015

Part List ID  
SW800046

58



# ENGINE REAR COVER ASSY

SW8000

05-04-2015

Part List ID  
SW800046

59

Pos	Part no.	Qty	Description	
0	56107576	1	COVER REAR ASSY	(items 1-18)
1	56002093	1	SCR HEX 1/4-20 X 1.00	
2	56002098	11	WSH FLT SAE 1/4	
3	56002708	1	NUT HEX NYL LOC 1/4-20	
4	56002922	8	SCR HEX LOC 1/4-20 X .62	
5	56009002	13	WASHER FLAT .266X.906X.060	
6	56009005	13	SCR PANPHILS TYPE AB 10-16X.75	
7	56009120	17	SCR PANPHIL SS TYPEB1/4-14X.62	
8	56107579	1	ENGINE COVER ASSY	
9	56107580	1	VENT COVER	
10	56321532	1	BUSHING .25X.37X.40HC42C	
11	56507339	1	FOAM INSULATION	
12	56107657	1	SHROUD RADIATOR	
13	56507401	1	BRACKET ENGINE COVER	
14	56507402	1	BRACKET ENGINE COVER	
15	56507584	1	BRACKET ENGINE COVER CLAMP	
16	56508181	1	BRACKET ENG HOOD	
17	56508335	1	CABLE ASSEMBLY	
18	56508774	1	SHRINK TUBE .75 X 2.5	
19	56002859	15	WSH FLT SAE SS 1/4	
K1	56107615	1	KIT-ENGINE COVER ASSY	Includes pos. 5, 6, 7, 8, 9, 11, 12

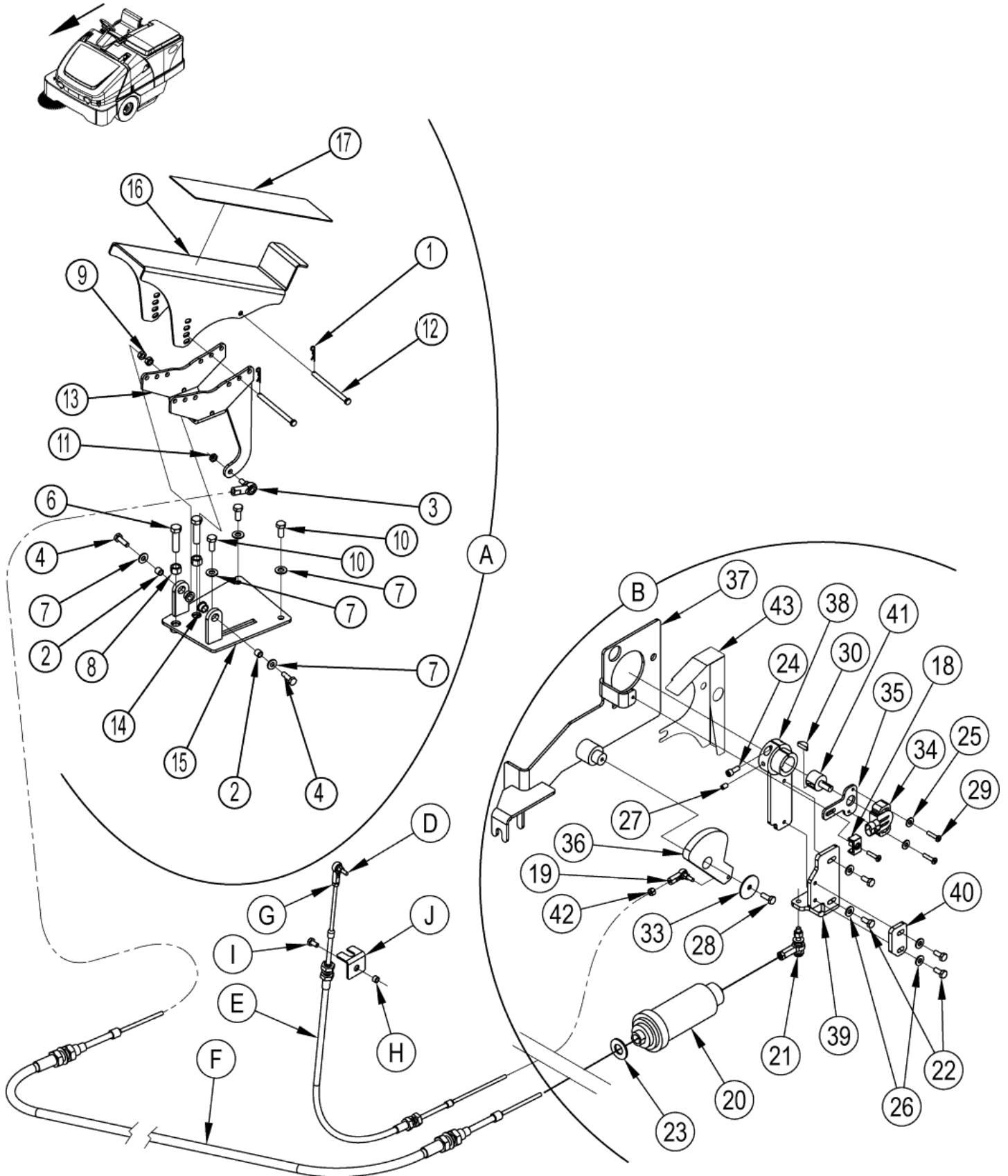
# FORWARD-REVERSE CONTROL ASSY

SW8000

05-04-2015

Part List ID  
SW800048

60



# FORWARD-REVERSE CONTROL ASSY

SW8000

05-04-2015

Part List ID  
SW800048

61

Pos	Part no.	Qty	Description
0	56507049	1	FWD/REV 4 CYL CONTROL ASSY
1	56003332	2	PIN COT HAIR .042X.188
2	56151106	2	BUSHING .25X.37X.34G31J
3	56463720	1	ROD END
4	56003844	2	SCR-HEX SS 1/4-20 X .88
6	56003918	2	SCR-HEX THD/HD SS 3/8-16X1.50
7	56002859	5	WSH FLT SAE SS 1/4
8	56003928	2	NUT-HEX MACHINE SS 3/8-16
9	56002850	2	NUT HEX NYL LOC-THIN SS 1/4-20
A	56507647	1	FOOT PEDAL ASSEMBLY
B	56507541	1	PUMP CONTROL ASSEMBLY
D	56488290	1	ROD END
E	56418615	1	CABLE PUSH/PULL
F	56507648	1	CABLE PUSH/PULL
G	56001987	1	NUT HEX MACHINE 10 32
H	56379298	1	BUSHING .25X.37X.21CR211H
I	56003039	1	SCR HEX LOC 1/4-20 X .50
J	56508500	1	BRACKET SPEED LIMIT CABLE
10	56003221	3	SCR HEX LOC SS 1/4 20 X .75
11	56003917	1	NUT-HEX NYL LOC-THIN SS 1/4-28
12	56003669	2	CLEVIS PIN .50 X 3.00
13	56107687	1	PEDAL WELDT
14	56304554	2	BEARING FLANGE .500X.375X.313
15	56107686	1	PLATE-FOOT THROTTLE WELDT
16	56107685	1	FOOT PEDAL
17	56507227	1	MAT PEDAL
18	56111895	1	GUIDE-ENCODER
19	56488290	1	ROD END
20	56455799	1	HYDRO BACK
21	56463720	1	ROD END
22	56001836	4	SCR HEX 1/4 20 X .62
23	56002022	1	WSH FLT SAE 5/8
24	56002032	1	SCR SOC HD 1/4 20 X .62
25	56002053	2	WSH FLT STD 10
26	56002098	4	WSH FLT SAE 1/4
27	56002930	1	SCR SOC SET LOC 1/4 20 X .38
28	56002948	1	SCR HEX LOC 1/4 20 X 0.75
29	56002996	3	SCR PAN PHIL 10 32 X .88
30	56003230	1	KEY WDF 91
31	56003626	1	NUT HEX NYL LOC THIN 1/4 28
32	56009142	1	NUT HEX MACHINE 1/4 28
33	56009225	1	WASHER FENDER
34	56305129	1	ROTARY SENSOR

# FORWARD-REVERSE CONTROL ASSY

SW8000

05-04-2015

Part List ID  
SW800048

62

Pos	Part no.	Qty	Description
35	56305980	1	PLATE-SENSOR
36	56419337	1	CAM NYLON
37	56507124	1	RETURN BRACKET
38	56507126	1	LEVER WELDMENT
39	56507152	1	LEVER
40	56507153	1	PLATE CAM
41	56507979	1	ADAPTER SHAFT
42	56001987	1	NUT HEX MACHINE 10 32



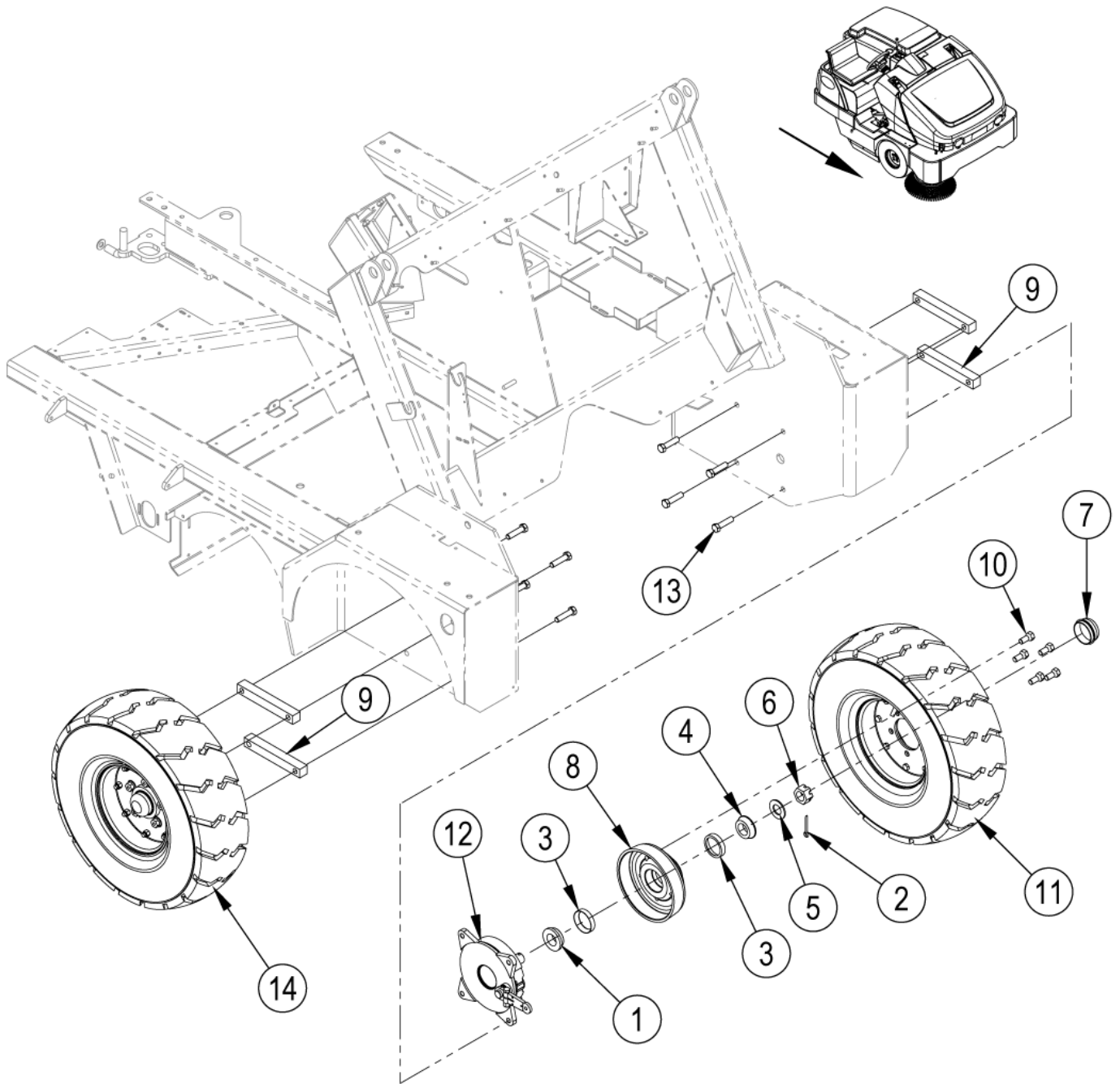
# FRONT WHEEL SYSTEM

SW8000

05-04-2015

Part List ID  
SW800050

63



# FRONT WHEEL SYSTEM

SW8000

05-04-2015

Part List ID  
SW800050

64

Pos	Part no.	Qty	Description	
1	2-00-02079	1	BRG-SINGLE SEAL TIMKEN	Note 1
2	2-00-02436	1	PIN-COTT.188 DIA X 1.75 STL ZN	Note 1
3	2-00-04621	2	CUP TIMKEN	Note 1
4	2-00-04622	1	CONETIMKEN	Note 1
5	2-00-05239	1	WSHR-FLAT 2.000X1.063X.125 SST	Note 1
6	2-00-05026	1	NUT-HEX-SLOT FIN. ZN	Note 1
7	8-11-00030	1	CAP	Note 1
8	56107724	1	HUB AND DRUM-MACHINED	Note 1
9	8-75-01216	4	SPACER-BRAKES	
10	8-80-05035	5	STUD-DRIVE WHEEL HUB	Note 1
11	8-65-05016	1	RIM ASSEMBLY	Not Shown
11	8-70-00086	1	FLAP-PNEUMATIC TIRE 9.0x6.7	Not Shown
11	8-70-00087	1	TUBE-INNER-PNEU TIRE6.00x9SE	Not Shown
11	8-85-06022	1	TIRE-6.00x9 PNEUMATIC	Not Shown
11	8-89-08056	1	WHL ASSY PNEUMATIC FOAM FILLED	Note 1
12	0860-703	1	AXLE SHAFT ASSY	Note 1
12	56418581	1	SPRING BRAKE	(usage 2 per brake assy)
12	8-71-05007	1	BRAKE SHOE	(usage 2 per brake assy)
13	56003162	8	SCR HEX 1/2 20 X 2.00	NOTE 2
13	56003958	8	SCR-HEX 1/2-20 X 2.25	NOTE 3
14	56382791	2	FRONT WHEEL ASSEMBLY	(items 1-8, 10-12)

NOTE 1: These quantities reflect one Front Wheel Assembly only, there are two Front Wheel Assemblies on the machine.

NOTE 2: These items are only used on machines that do not have standoffs welded onto the chassis for mounting the wheel assemblies.

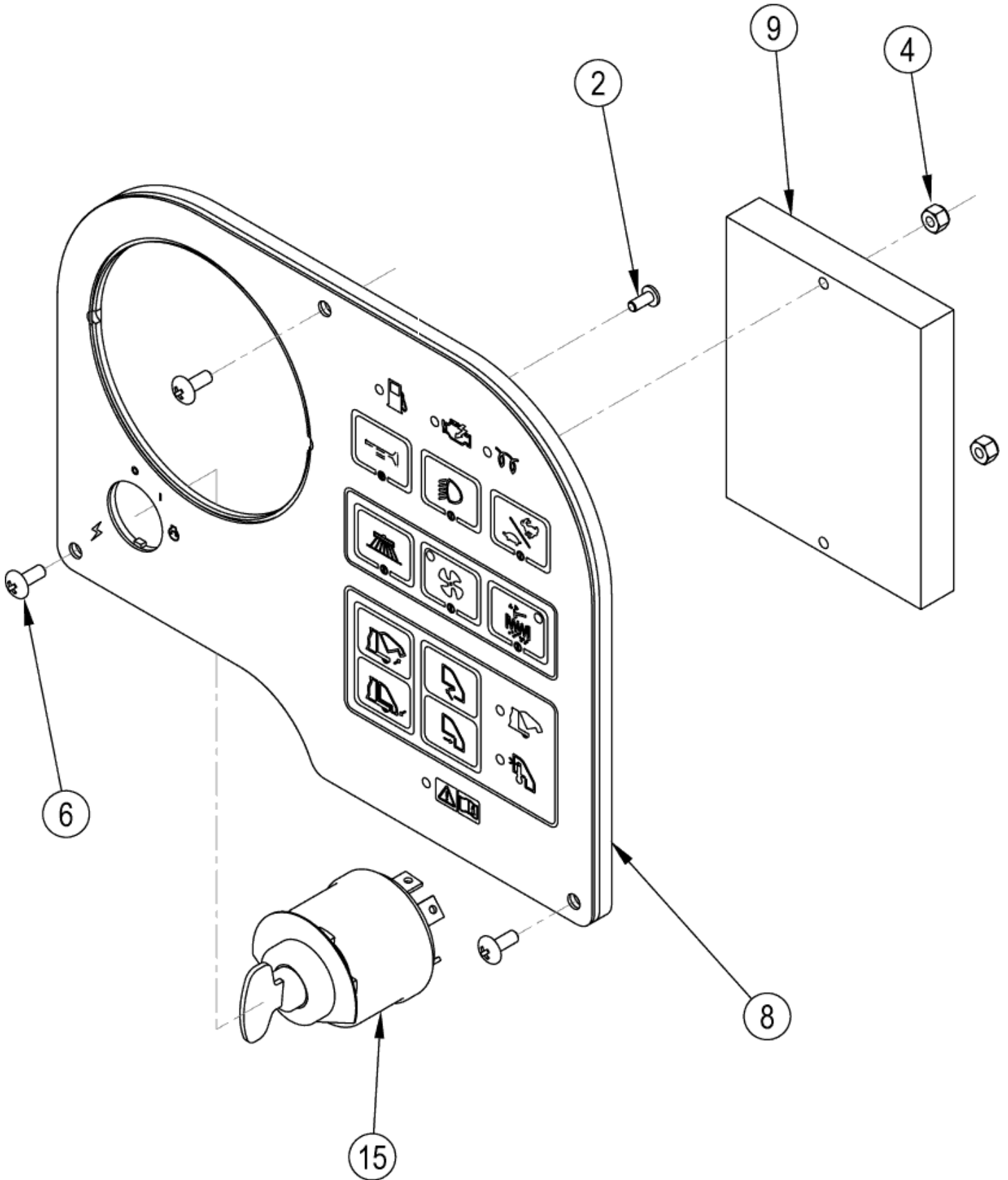
# GAUGE PANEL ASSY

SW8000

05-04-2015

Part List ID  
SW800052

65



# GAUGE PANEL ASSY

SW8000

05-04-2015

Part List ID  
SW800052

66

Pos	Part no.	Qty	Description	
0	56107640	1	GAUGE PANEL ASSY PETROL	
0	56107641	1	GAUGE PANEL ASSY LPG	
0	56107642	1	GAUGE PANEL ASSY DIESEL	
2	56001818	1	SCR PAN PHIL 8 32 X .38	
4	56002808	2	NUT HEX NYL LOC 8-32	
6	56003902	5	SCR-TRUSS PHIL SS BLK10-24X.50	
8	56107601	1	PANEL LPG ASSY	used on LPG and petrol models
8	56107603	1	PANEL DIESEL ASSY	used on diesel models only
9	56107624	1	CONTROL BOX	
15	56418685	1	SWITCH STARTER	LPG and petrol models
15	56419123	1	KEY IGNITION REPLACEMENT	(for 56418685)
15	56497754	1	KEY SWITCH	diesel models
15	56508655	1	KEY DIESEL	(for 56497754)

NOTE: Refer to GAUGE KITS at the back of this manual for control panel gauges.

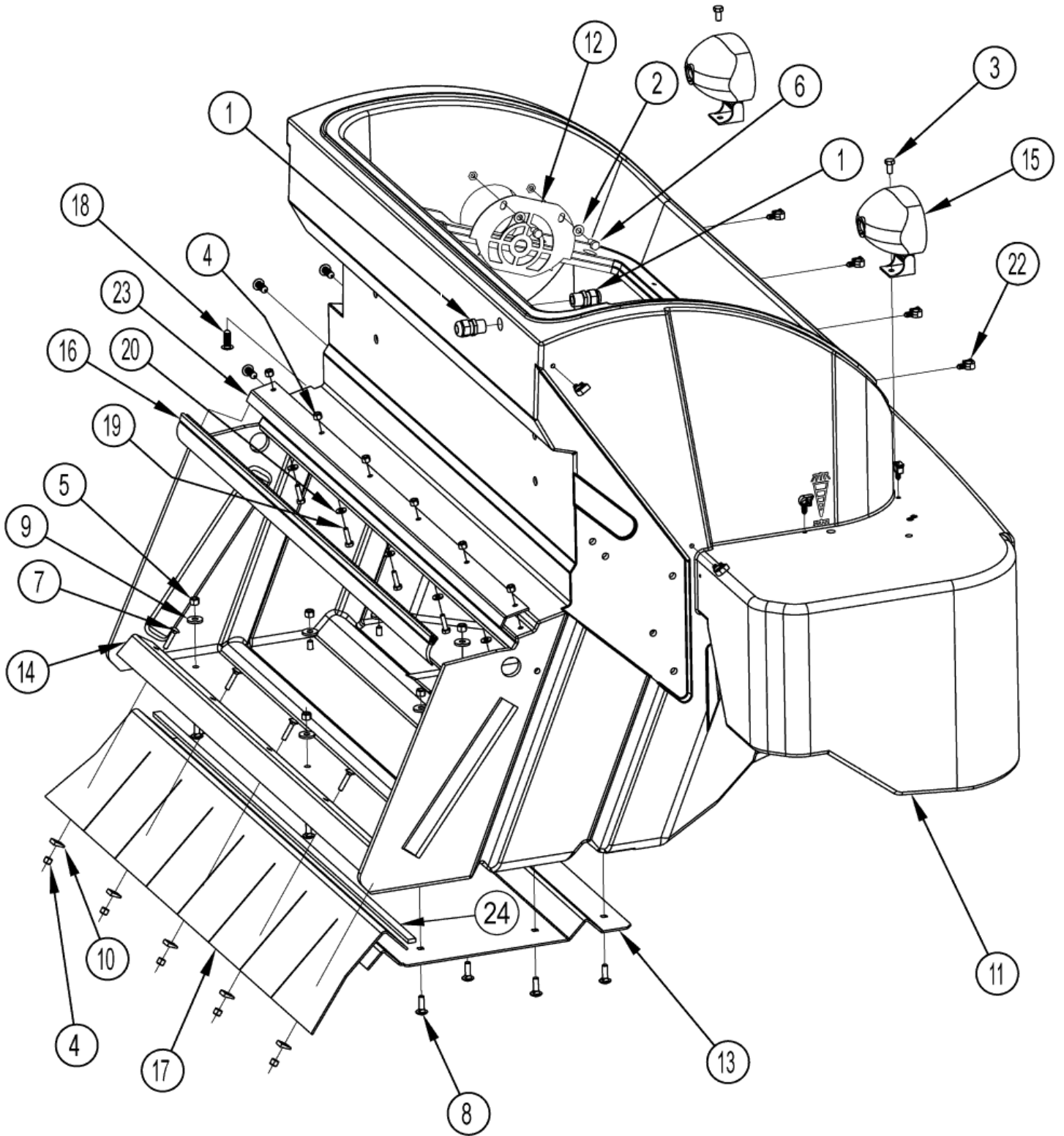
# HOPPER SYSTEM-1

SW8000

05-04-2015

Part List ID  
SW800054

67



# HOPPER SYSTEM-1

SW8000

05-04-2015

Part List ID  
SW800054

68

Pos	Part no.	Qty	Description
1	56323135	2	STRAIN RELIEF E00220
2	56001939	2	WSH FLT SAE 5/16
3	56002035	2	SCR HEX 5/16 18 X .62
4	56002491	11	NUT HEX NYL LOC SS 1/4-20
5	56002856	10	NUT HEX NYL LOC SS 5/16-18
6	56002929	2	SCR HEX LOC 5/16-18 X .62
7	56003714	5	SCR CARRIAGE SS 1/4-20X2.50
8	56003720	10	SCR CARRIAGE SS 5/16-18 X 1.00
9	56009122	10	WSH FLT .344X.938X.125
10	56009345	5	WSH BEVEL 1/4
11	56507087	1	HOPPER
12	56507159	1	SCREEN VAC FAN
13	56507162	1	PLATE HOPPER BOTTOM
14	56507187	1	CLAMP HOPPER FLAP
15	56507223	2	HEAD LIGHT ASSEMBLY
15	56507224	1	BULB 12V 50W (for 56507223) not shown
16	56508325	1	SEAL DOOR HINGE
17	56508083	1	FLAP HOPPER
18	56508211	4	CLIP PANEL
19	56002883	6	SCR HEX SS 1/4-20 X 1.00
20	56002859	6	WSH FLT SAE SS 1/4
22	56507793	8	CLIP CONDUIT
23	56107729	1	CLAMP DOOR SEAL
24	56508728	1	SEAL HOPPER SKID PLATE

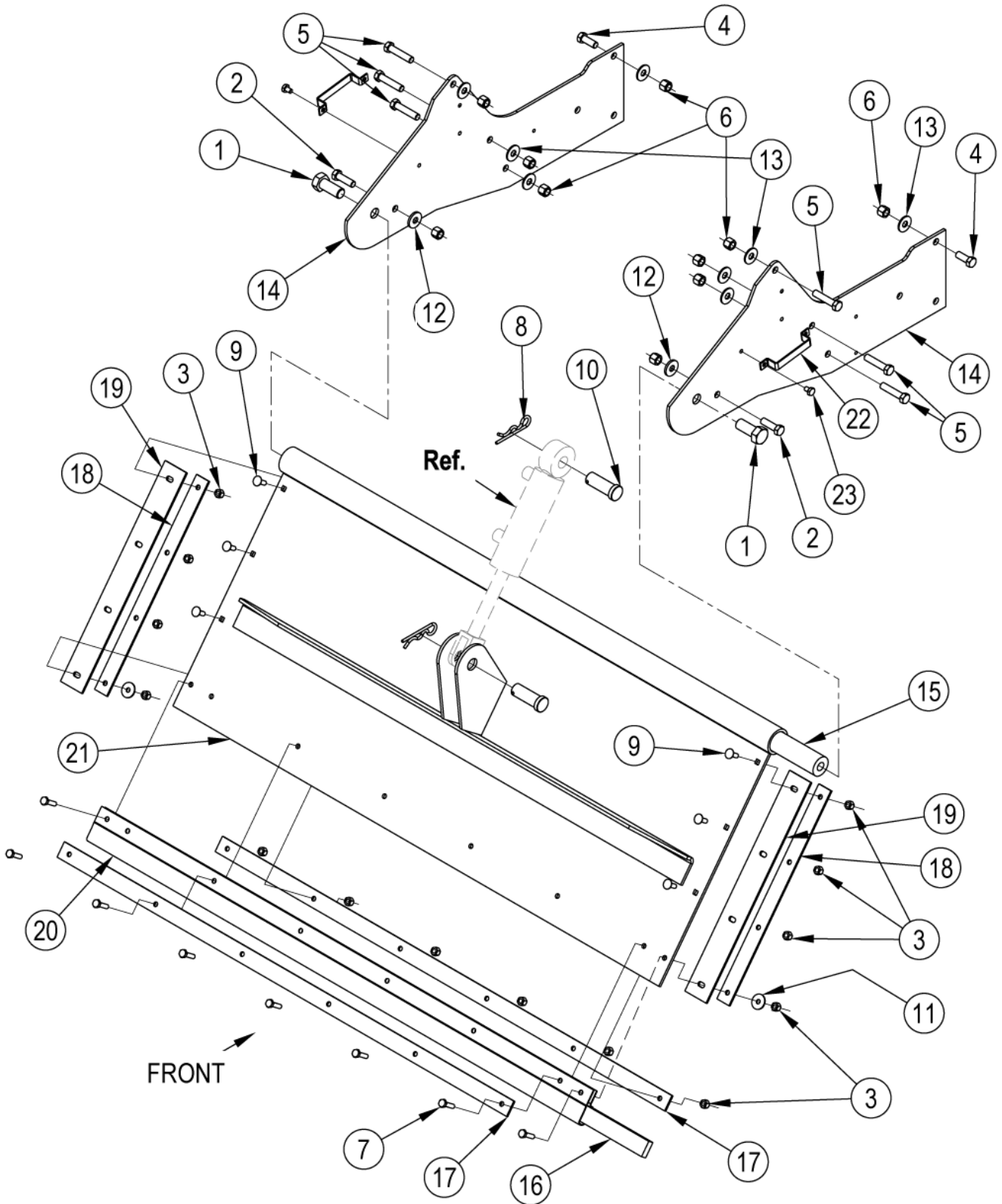
# HOPPER SYSTEM-2

SW8000

05-04-2015

Part List ID  
SW800056

69



# HOPPER SYSTEM-2

SW8000

05-04-2015

Part List ID  
SW800056

70

Pos	Part no.	Qty	Description
1	56001843	2	SCR HEX 5/8 11 X 1.50
2	56001858	2	SCR HEX 3/8 16 X 1.25
3	56002491	14	NUT HEX NYL LOC SS 1/4-20
4	56002663	2	SCR HEX 3/8-16 X 1.00
5	56002684	6	SCR HEX 3/8-16 X 1.75
6	56002769	10	NUT HEX NYL LOC 3/8-16
7	56002883	8	SCR HEX SS 1/4-20 X 1.00
8	56003152	2	PIN COT HAIR SS .148 X DIA .6
9	56003715	6	SCR CARRIAGE SS 1/4-20X.75
10	56003732	2	PIN CLEVIS .750X2.00
11	56003923	2	WSH-FLT SS .266 X .906 X .060
12	56009107	2	WSH FLT SS .378/.373X1.00X.075
13	56009213	8	SH FLT .382X1.000X.075
14	56507164	2	BRACKET SIDE BROOM ARM
15	56507168	1	PIVOT HOPPER DOOR
16	56507169	1	SEAL HOPPER
17	56507176	2	CLAMP HOPPER BOTTOM
18	56507177	2	CLAMP HOPPER DOOR SIDE SEAL
19	56507178	2	SEAL HOPPER DOOR SIDE
20	56507179	1	SEAL HOPPER
21	56107728	1	HOPPER DOOR WELDT
22	2-00-04603	2	CLAMPDOUBLE 1/2 OD
23	56002933	2	SCR HEX LOC 1/4 20 X .38



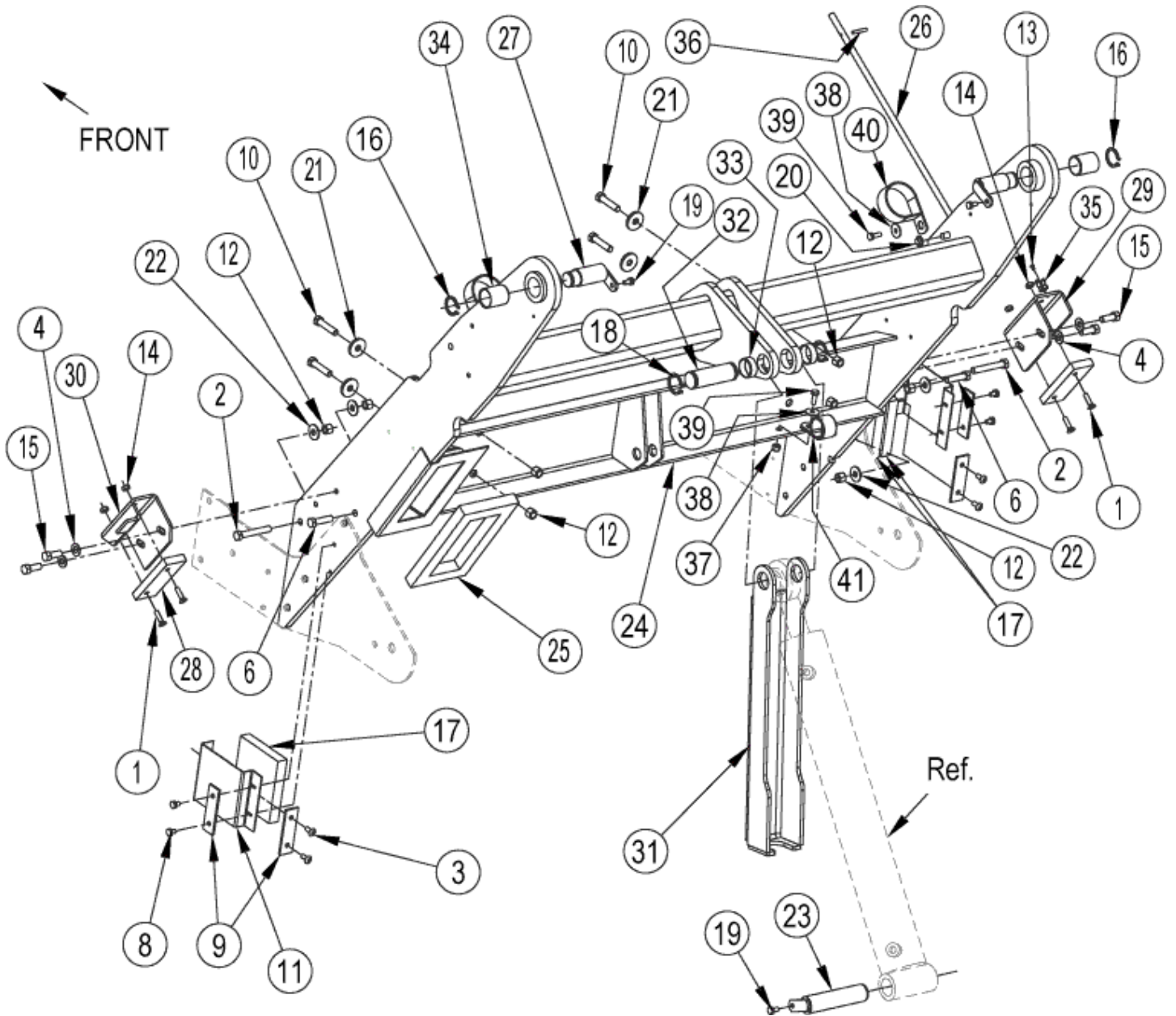
# HOPPER SYSTEM-3

SW8000

05-04-2015

Part List ID  
SW800058

71



# HOPPER SYSTEM-3

SW8000

05-04-2015

Part List ID  
SW800058

72

Pos	Part no.	Qty	Description
1	56002457	4	SCR FLT SOC 1/4-20 X 1.00
2	56001873	2	SCR HEX 3/8-16 X 2.50
3	56009120	4	SCR PANPHIL SS TYPEB1/4-14X.62
4	56002063	4	WSH FLT SAE 3/8
6	56002095	2	SCR HEX 3/8-16 X 1.50
8	56009019	4	SCR HEX THD FORM 1/4-20X .38
9	56508248	4	STRAP FRONT TIRE FLAP
10	56002684	4	SCR HEX 3/8-16 X 1.75
11	56508389	2	FLAP HOPPER SIDE
12	56002769	8	NUT HEX NYL LOC 3/8-16
13	56002811	1	SCR PAN PHIL 6-32 X .25
14	56002840	4	NUT HEX NYL LOC-THIN 1/4-20
15	56002947	4	SCR HEX LOC 3/8-16 X 1.00
16	56003258	2	RING RET EXT
17	56508390	3	FOAM HOPPER SIDE
18	56003750	2	RING RET EXT SHAFT 1.125
19	56009033	3	SCR HEX THD FORM 1/4 20X.50
20	56009123	1	NUT PUSH CAP 3/8
21	56009195	4	WSH FLT .406X 1.250X .164
22	56009213	4	SH FLT .382X1.000X.075
23	56304683	1	PIN HOPPER HINGE WELDMENT
24	56507100	1	ARM HOPPER LIFT WELDMENT
25	56507189	1	SEAL AIR EXHAUST
26	56507197	1	ROD COVER
27	56507204	2	PIN HOPPER HINGE WLDT
28	56507289	2	BUMPER HOPPER LIFT
29	56507334	1	STOPPPER HOPPER RH
30	56507335	1	STOPPPER HOPPER LH
31	56507477	1	PROP ROD
32	56507885	1	PIN
33	56507939	2	BEARING 1.125X1.281X.500
34	56507940	2	BEARING 1.125X1.281X1.500
35	56508234	1	CLIP 3/8
37	56002708	1	NUT HEX NYL LOC 1/4-20
38	56009002	3	WASHER FLAT .266X.906X.060
39	56009018	3	SCR HEX THD FORM 1/4-20X .75
40	56315257	2	CLAMP P
41	56409463	1	CLAMP 1.25 HOSE SUPPORT

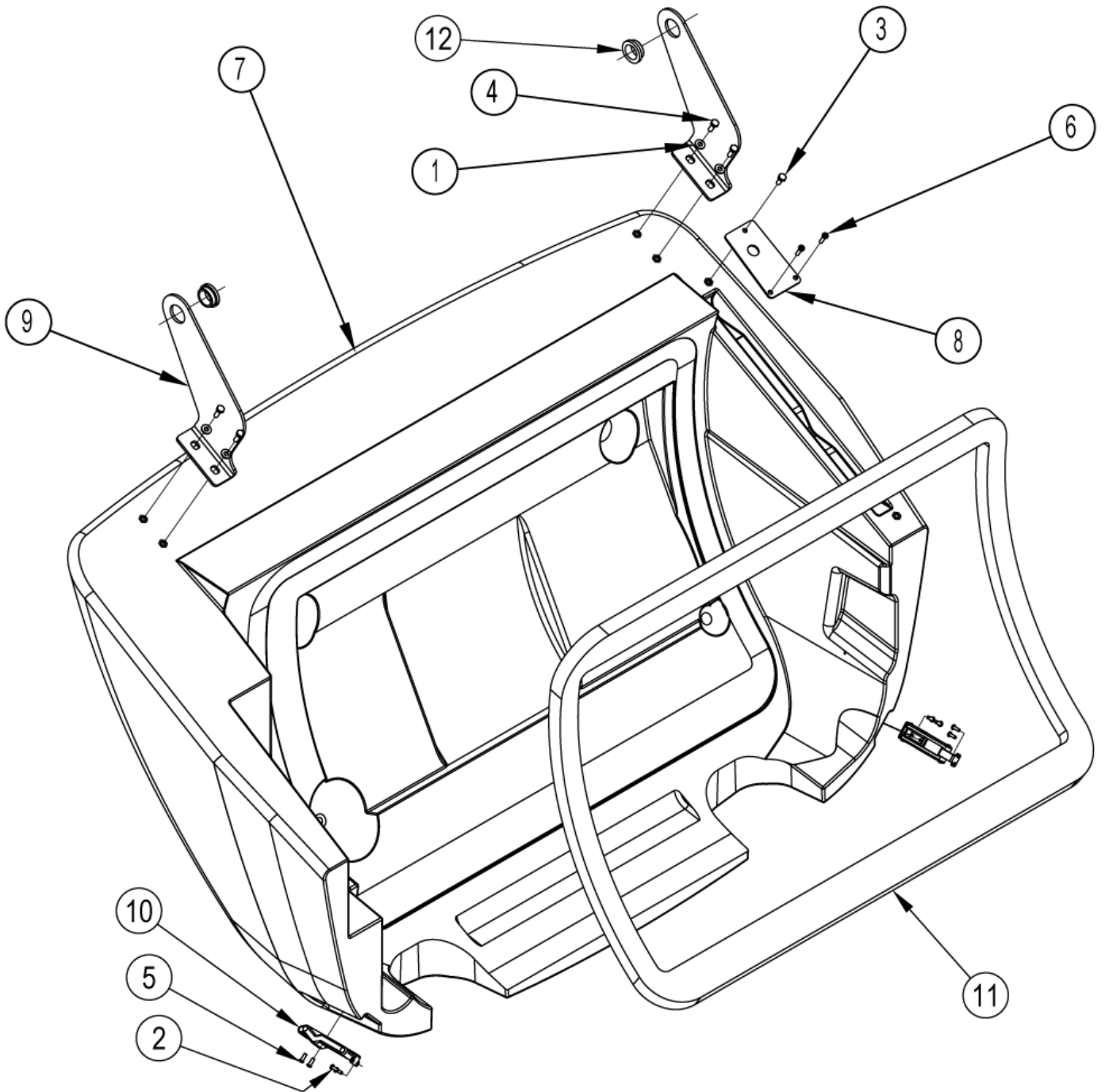
# HOPPER SYSTEM-4

SW8000

05-04-2015

Part List ID  
SW800060

73



# HOPPER SYSTEM-4

SW8000

05-04-2015

Part List ID  
SW800060

74

Pos	Part no.	Qty	Description
1	56002098	4	WSH FLT SAE 1/4
2	56002876	4	SCREW 8-32 X 0.5 PNH PH SS
3	56002922	1	SCR HEX LOC 1/4-20 X .62
4	56002948	4	SCR HEX LOC 1/4 20 X 0.75
5	56003093	4	SCR PAN PHIL PLAST 8-15 X .50
6	56009005	2	SCR PANPHILS TYPE AB 10-16X.75
7	56507086	1	COVER HOPPER
8	56508226	1	PLATE HOPPER COVER PROP ROD
9	56507185	2	BRACKET HOPPER COVER
10	56507188	2	LATCH HOPPER COVER
11	56507219	1	SEAL HOPPER COVER 4 PARTS
12	56507767	2	BEAR FLAN IGUS 1.00X1.25X.50

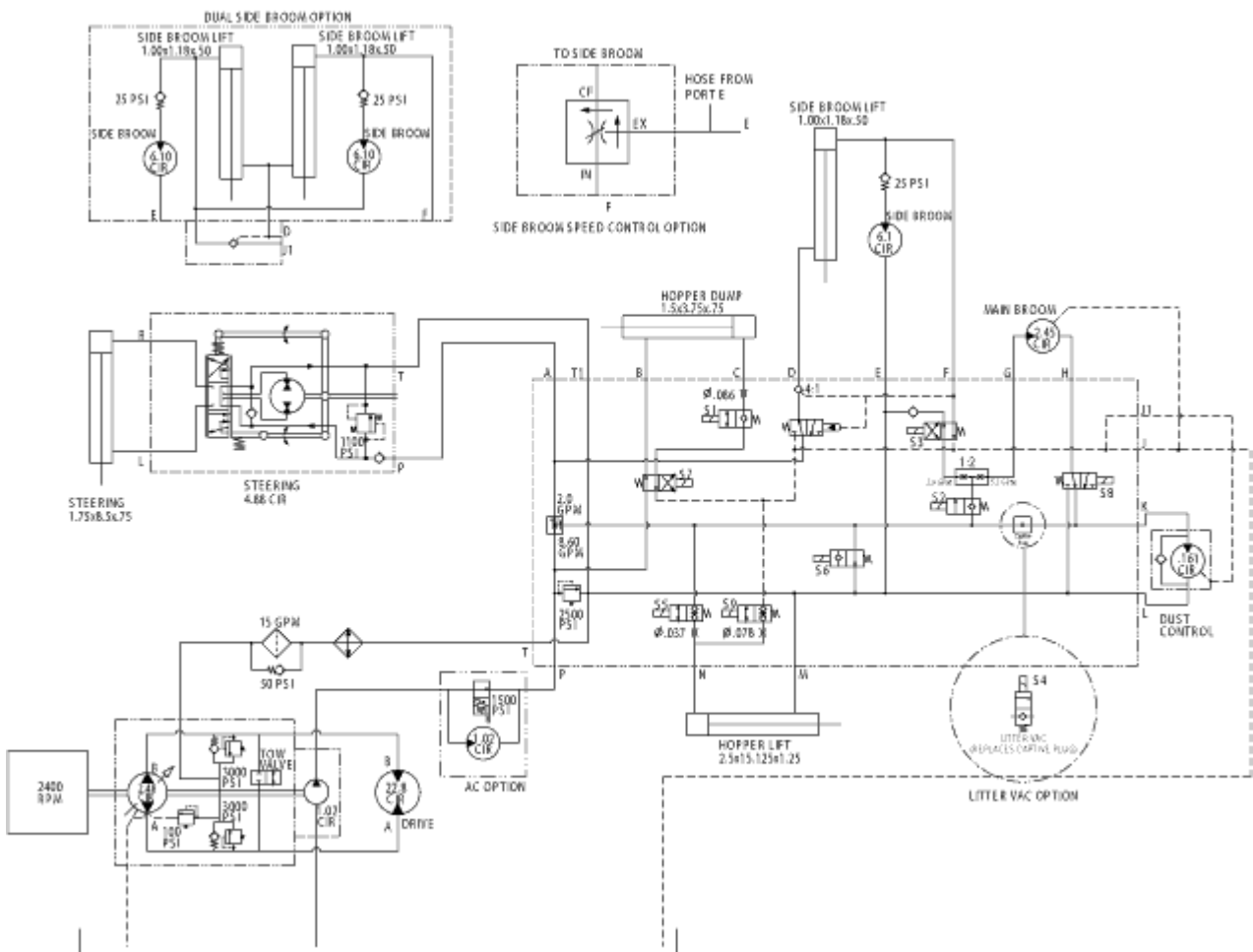
# HYDRAULIC SCHEMATIC

SW8000

05-04-2015

Part List ID  
SW800062

75



# HYDRAULIC SCHEMATIC

SW8000

05-04-2015

Part List ID  
SW800062

76

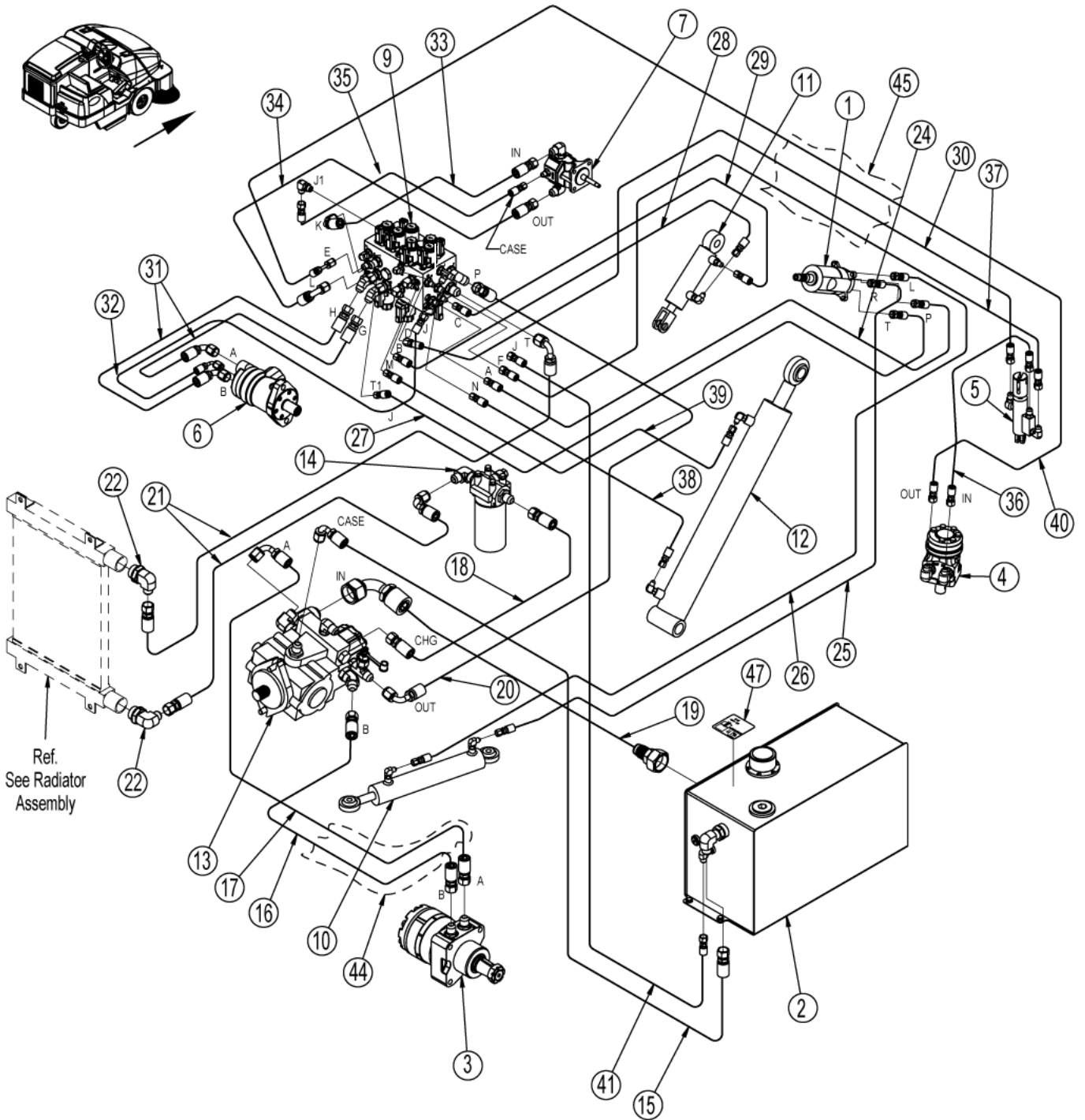
# HYDRAULIC SYSTEM

SW8000

05-04-2015

Part List ID  
SW800064

77



# HYDRAULIC SYSTEM

SW8000

05-04-2015

Part List ID  
SW800064

78

Pos	Part no.	Qty	Description	
1	56508096	1	STEERING CONTROL UNIT	
1	7-70-00127	1	SEAL KIT	for 56508096
2	56507072	1	RESERVOIR ASSEMBLY	See Hydraulic Reservoir Assembly
3	56507603	1	DRIVE MOTOR ASSEMBLY	See Hydraulic Motor Assemblies
4	56507604	1	SIDE BROOM MOTOR ASSEMBLY	See Hydraulic Motor Assemblies
5	56507605	1	SIDE BROOM CYLINDER ASSEMBLY	Right See Hydraulic Cylinder Assemblies
6	56507066	1	MAIN BROOM MOTOR	See Hydraulic Motor Assemblies
7	56507067	1	HYDRAULIC MOTOR VAC FAN	See Hydraulic Motor Assemblies
9	56507609	1	MANIFOLD ASSEMBLY	See Hydraulic Valve Block Assembly
10	56507610	1	STEERING CYLINDER ASSEMBLY	See Hydraulic Cylinder Assemblies
11	56507611	1	HOPPER DOOR CYLINDER ASSEMBLY	See Hydraulic Cylinder Assemblies
12	56507612	1	HOPPER LIFT CYLINDER ASSEMBLY	See Hydraulic Cylinder Assemblies
13	56507613	1	PUMP ASSEMBLY	See Hydraulic Pump Assembly
14	56507614	1	FILTER ASSEMBLY	
15	56507516	1	HOSE HYDRAULIC	
16	56507517	1	HOSE HYDRAULIC	
17	56507518	1	HOSE HYDRAULIC	
18	56507519	1	HOSE HYDRAULIC	
19	56507520	1	HOSE HYDRAULIC	
20	56507521	1	HOSE HYDRAULIC	
21	56507522	2	HOSE HYDRAULIC	
22	56900480	2	ELBOW 90 O-RING	
24	56507360	1	HOSE HYDRAULIC	
25	56507362	1	HOSE HYDRAULIC	
26	56507361	1	HOSE HYDRAULIC	
27	56507363	1	HOSE HYDRAULIC	
28	56507529	1	HOSE HYDRAULIC	
29	56507530	1	HOSE HYDRAULIC	
30	56507531	1	HOSE HYDRAULIC	
31	56507532	2	HOSE HYDRAULIC	
32	56507788	1	HOSE HYDRAULIC	
33	56507534	1	HOSE HYDRAULIC	
34	56507535	1	HOSE HYDRAULIC	
35	56507536	1	HOSE HYDRAULIC	
36	56507537	1	HOSE HYDRAULIC	
37	56507538	1	HOSE HYDRAULIC	
38	56507539	1	HOSE HYDRAULIC	
39	56507540	1	HOSE HYDRAULIC	
40	56507718	1	HOSE HYDRAULIC	
41	56507719	1	HOSE HYDRAULIC	
42		1	NOTE COMMENT	Oil, Multi-Vis SAE 10w-30 (11 gallons) Not Shown
44	56508814	1	SLEEVE NYLON	Not Shown
45	56462977	1	SLEEVE 24 IN. NYLON	Not Shown



# HYDRAULIC SYSTEM

SW8000

05-04-2015

Part List ID  
SW800064

79

Pos	Part no.	Qty	Description	
46	56409463	1	CLAMP 1.25 HOSE SUPPORT	Not Shown
47	56016259	1	DECAL OIL FILL	

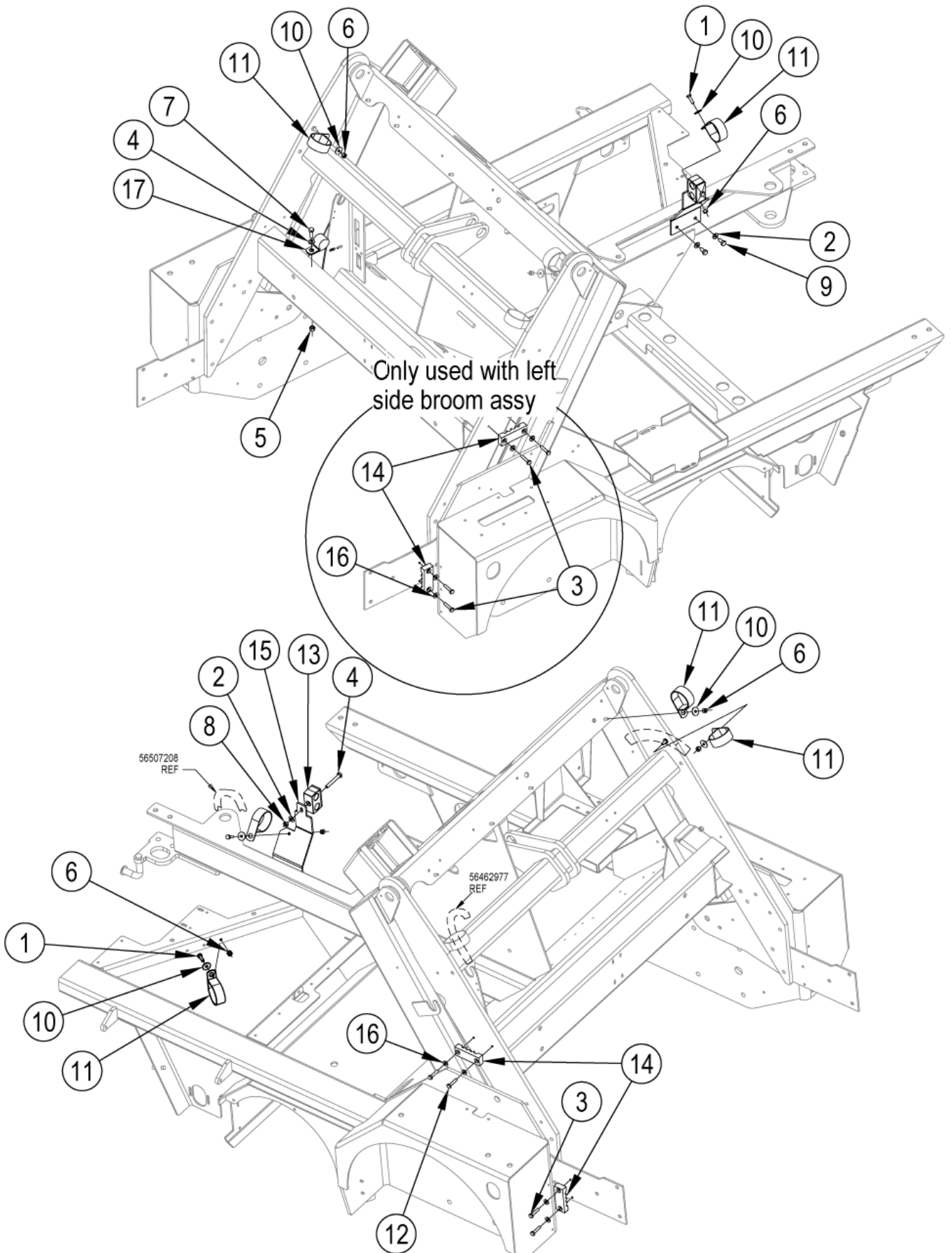
# HYDRAULIC SYSTEM - MOUNTING

SW8000

05-04-2015

Part List ID  
SW800066

80



# HYDRAULIC SYSTEM - MOUNTING

SW8000

05-04-2015

Part List ID  
SW800066

81

Pos	Part no.	Qty	Description
1	56001821	2	SCR HEX 1/4 20 X .88
2	56001939	4	WSH FLT SAE 5/16
3	56001878	4	SCR HEX 1/4 20 X 1.25 (qty of 8 if equipped with left side broom)
4	56002420	1	SCR HEX 5/16-18 X 2.25
5	56002701	1	NUT HEX NYL LOC 5/16-18
6	56002708	5	NUT HEX NYL LOC 1/4-20
7	56002221	1	SCR HEX 5/16-18 X 1.00
8	56002826	1	NUT HEX NYL LOC-THIN 5/16-18
9	56002929	2	SCR HEX LOC 5/16-18 X .62
10	56009002	6	WASHER FLAT .266X.906X.060
11	56315257	5	CLAMP P
12	56002242	2	SCR SOC HD 1/4-20 X 1.50
13	56507218	1	CLAMP HOSE
14	56507922	1	HOSE CLAMP HYDRAULIC (qty of 2 if equipped with left side broom)
15	56508327	1	BRACKET HOSE CLAMP
16	56002098	4	WSH FLT SAE 1/4 (qty of 8 if equipped with left side broom)
17	56409463	1	CLAMP 1.25 HOSE SUPPORT
18	56002093	1	SCR HEX 1/4-20 X 1.00

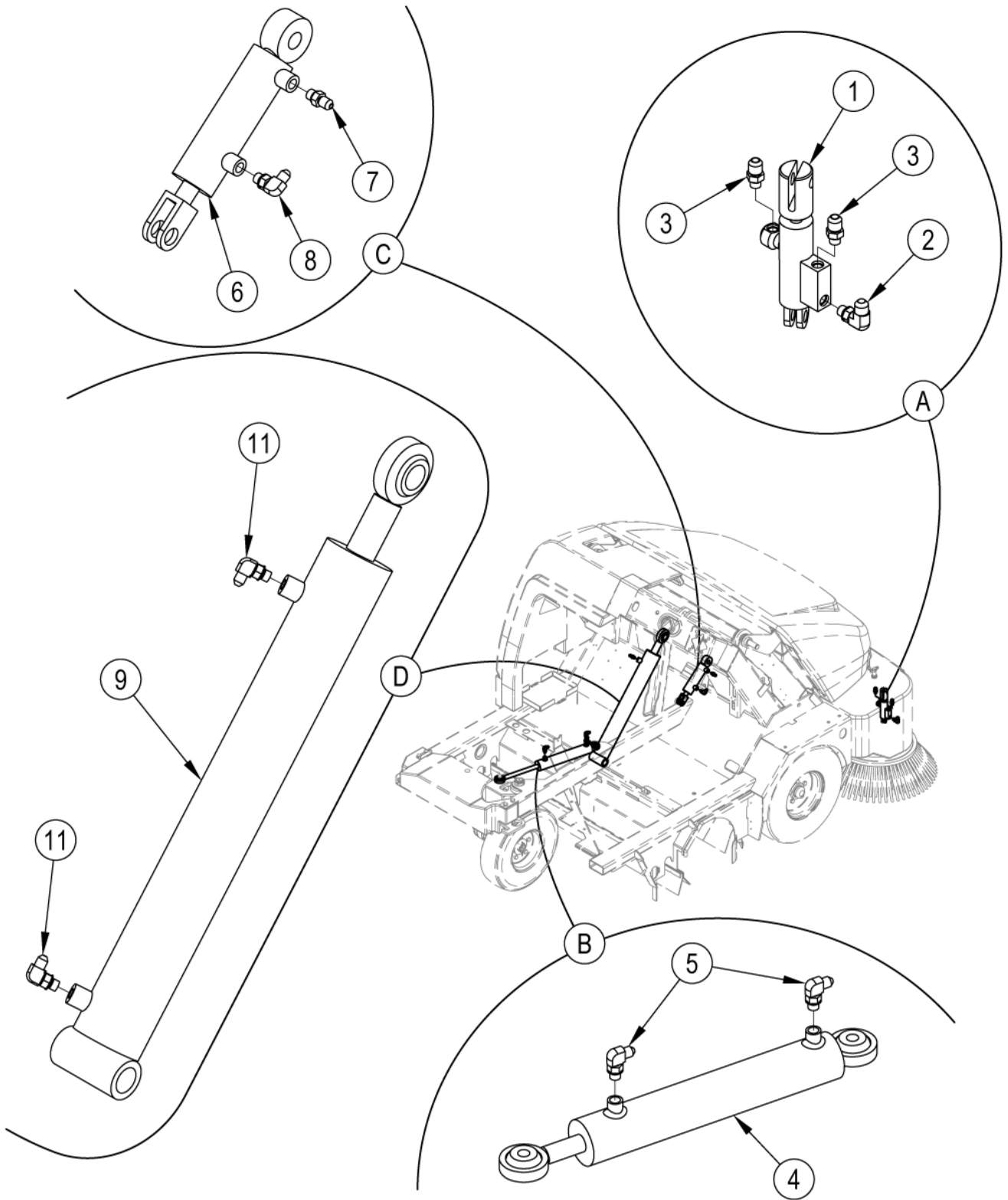
# HYDRAULIC CYLINDER ASSEMBLIES

SW8000

05-04-2015

Part List ID  
SW800068

82



# HYDRAULIC CYLINDER ASSEMBLIES

SW8000

05-04-2015

Part List ID  
SW800068

83

Pos	Part no.	Qty	Description	
1	56109100	1	SEAL KIT	Not Shown
1	56507065	1	SIDE BROOM CYLINDER	
2	56900286	1	ELBOW 90 DEG E00003	
3	56900370	2	CONNECTOR O RING	
4	56380809	1	SEAL KIT	
4	56507095	1	STEERING CYLINDER	
5	56900101	2	ELBOW 90 DEG.O/R 4 E00003	
6	56507155	1	CYLINDER HYDRAULIC HOPPER DOOR	
7	56900001	1	CONNECTOR O RING 4 E00001	
8	56900101	1	ELBOW 90 DEG.O/R 4 E00003	
9	56507241	1	CYLINDER HYDRAULIC HOPPER LIFT	
A	56507605	1	SIDE BROOM CYLINDER ASSEMBLY	(items 1-3)
B	56507610	1	STEERING CYLINDER ASSEMBLY	(items 4-5)
C	56507611	1	HOPPER DOOR CYLINDER ASSEMBLY	(items 6-8)
D	56507612	1	HOPPER LIFT CYLINDER ASSEMBLY	items 9-11)
11	56380813	1	SEAL KIT	
11	56900101	1	ELBOW 90 DEG.O/R 4 E00003	Not Shown

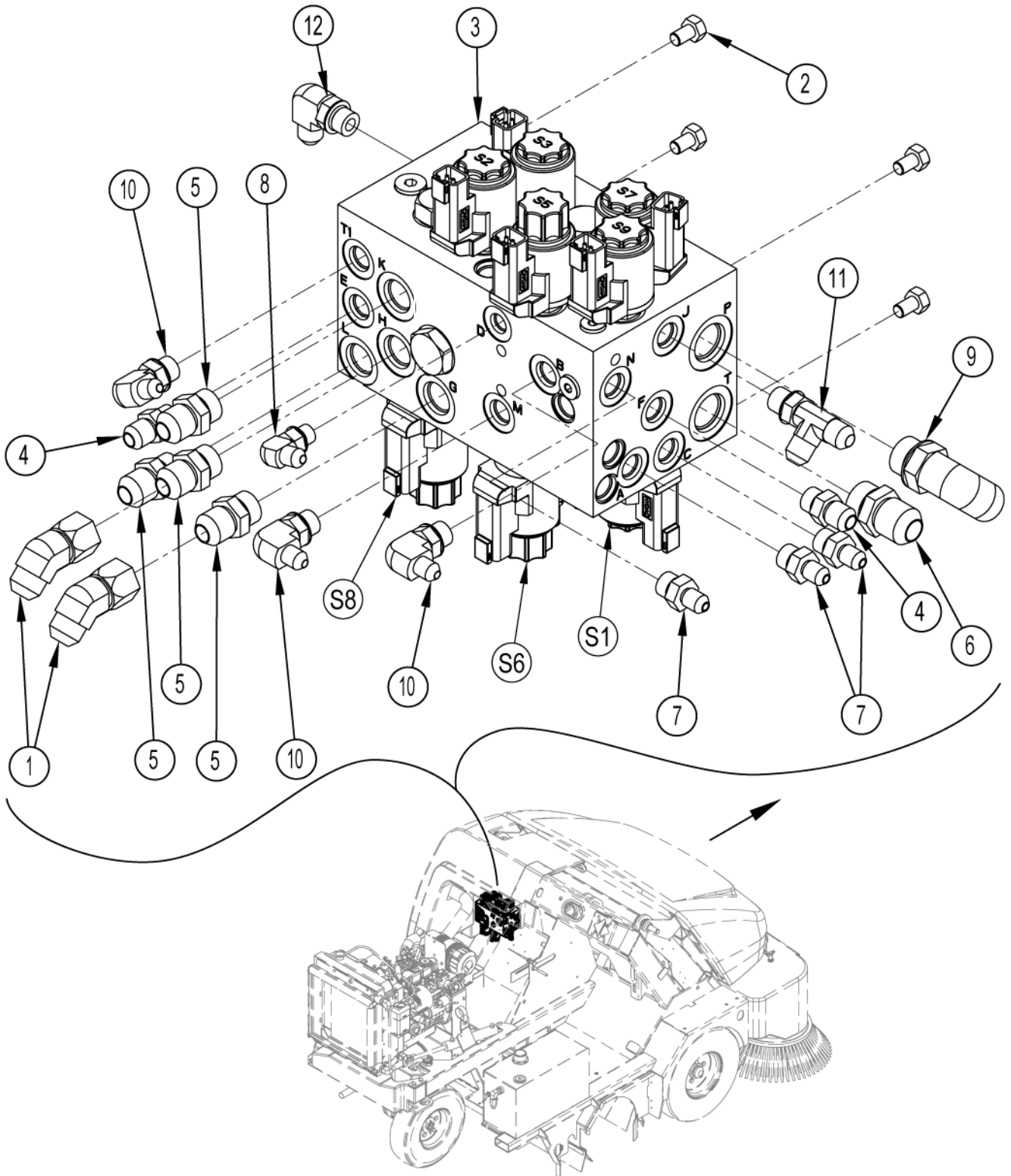
# HYDRAULIC MANIFOLD ASSY

SW8000

05-04-2015

Part List ID  
SW800070

84



# HYDRAULIC MANIFOLD ASSY

SW8000

05-04-2015

Part List ID  
SW800070

85

Pos	Part no.	Qty	Description	
0	56507609	1	MANIFOLD ASSEMBLY	(items 1-10)
1	56900324	2	ELBOW 45DEG W/NUT 8	E00008
2	56002923	4	SCR HEX LOC 5/16-18 X .50	
3	56507073	1	HYDRAULIC MANIFOLD	
4	56900003	2	CONNECTOR O/R 6	E00001
5	56900004	4	CONNECTOR O/R 8	E00001
6	56900005	1	CONNECTOR O/R -10	E00001
7	56900011	3	CONNECTOR 4 6	E00001
8	56900101	1	ELBOW 90 DEG.O/R 4	E00003
9	56900105	1	ELBOW 90DEG.O/R 10	E00003
10	56900110	3	ELBOW 90DEG O/R 4 6	E00003
11	56900203	1	TEE RUN O/R -6	E00005
12	56900103	1	ELBOW 90 DEG O/R 6	E00003
30	56305368	1	CARTRIDGE	for S1, S2 (S4 is part of litter vac option)
31	56305369	1	CARTRIDGE	for S3, S7
32	56305367	1	CARTRIDGE	for S5, S9
33	56305531	1	CARTRIDGE	for S6
34	56507686	1	CARTRIDGE	for S8
35	56507687	1	CARTRIDGE FLOW CONTROL 2 GPM	for Flow Control, 2.0 GPM
36	56507688	1	CARTRIDGE	for Flow Divider
37	56508223	1	SEAL KIT	for 56507688
38	56419397	1	RELIEF VALVE CARTRIDGE	
39	56507690	1	DIRECTIONAL VALVE	
40	56305370	1	CHECK VALVE CARTRIDGE	
41	56507692	1	CARTRIDGE	for PO Check Valve
42	56507983	1	ORIFICE	.086
43	56508184	1	ORFICE	.078
44	56507694	1	COIL 12 VDC	with Connector For S1-S7, S9
45	56507695	1	COIL 12 VDC	with Connector For S8
46	56305354	1	SEAL KIT	for S1, S2, S4, S5, S6, S9, Relief, Check Valve
47	56305355	1	SEAL KIT	for S3, S7
48	56507702	1	SEAL KIT	for Po Check Valve
49	56508840	1	CAVITY PLUG	
50	56305370	1	CHECK VALVE CARTRIDGE	
51	56419397	1	RELIEF VALVE CARTRIDGE	

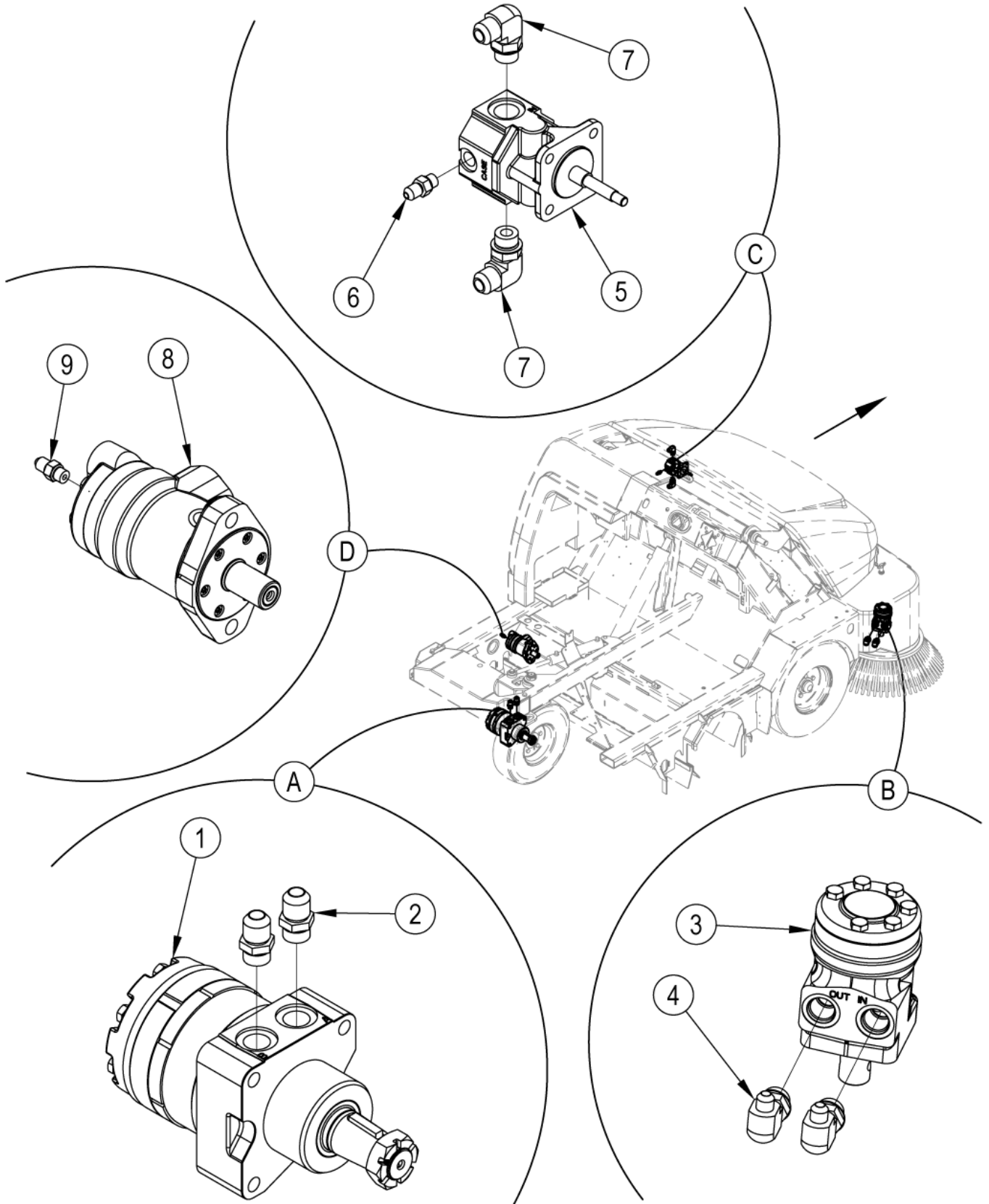
# HYDRAULIC MOTOR ASSEMBLIES

SW8000

05-04-2015

Part List ID  
SW800072

86





# HYDRAULIC MOTOR ASSEMBLIES

SW8000

05-04-2015

Part List ID  
SW800072

87

Pos	Part no.	Qty	Description	
1	56462927	1	CASTLE NUT	(for 56507063)
1	56507063	1	MOTOR TRACTION DRIVE	
1	56507618	1	SEAL KIT	(for 56507063)
2	56109735	2	SWIVEL ADAPTER	
3	56507064	1	MOTOR SIDE BROOM	
3	56507619	1	SEAL KIT FOR SIDE BROOM MOTOR	(for 56507064)
4	56900113	2	ELBOW 90 DEG.O/R	
5	56418823	1	SEAL KIT	(for 56507067)
5	56507067	1	HYDRAULIC MOTOR VAC FAN	
6	56900001	1	CONNECTOR O RING 4 E00001	
7	56900104	2	ELBOW 90 DEG.O/R -8 E00003	
8	56507066	1	MAIN BROOM MOTOR	
8	56507620	1	SEAL KIT FOR MAIN BROOM MOTOR	(for 56507066)
9	56900001	1	CONNECTOR O RING 4 E00001	
A	56507603	1	DRIVE MOTOR ASSEMBLY	(items 1-2)
B	56507604	1	SIDE BROOM MOTOR ASSEMBLY	(items 3-4)
C		1	NOTE COMMENT	Dust Control Motor Assembly (items 5-7)
D		1	NOTE COMMENT	Main Broom Motor Assembly (items 8-9)

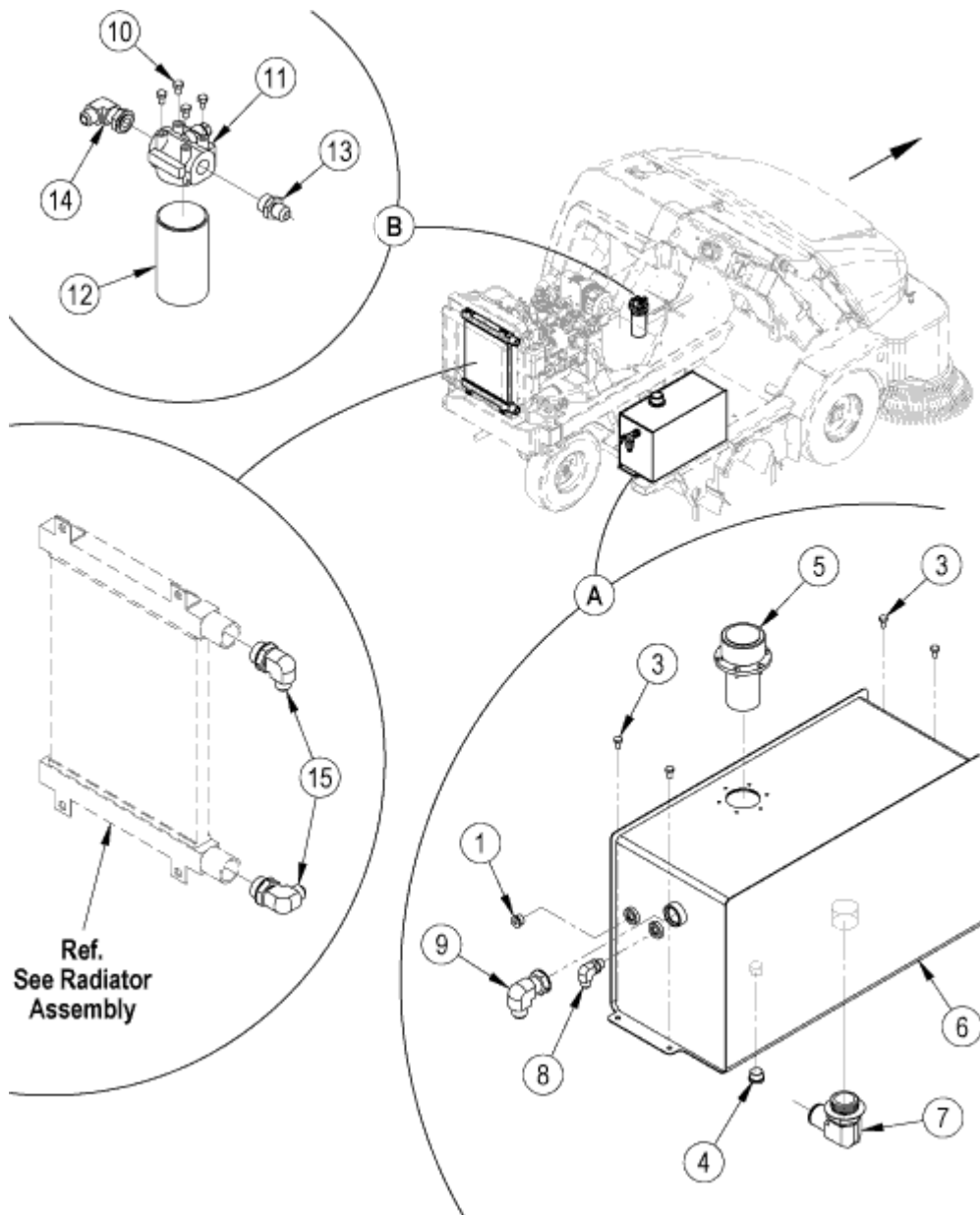
# HYDRAULIC OIL FILTER-RESERVOIR

SW8000

05-04-2015

Part List ID  
SW800074

88



# HYDRAULIC OIL FILTER-RESERVOIR

SW8000

05-04-2015

Part List ID  
SW800074

89

Pos	Part no.	Qty	Description
1	56418776	1	PLUG HEX O RING E00594
3	56009033	4	SCR HEX THD FORM 1/4 20X.50
4	56463403	1	PLUG HEX O RING E00594
5	56479656	1	FILLER CAP RE483B
6	56507507	1	RESERVOIR WELDMENT
7	56508846	1	ELBOW BARBED HYD FITTING
8	56900103	1	ELBOW 90 DEG O/R 6 E00003
9	56900116	1	ELBOW 90 O/R 10 12 E00003
A	56507072	1	RESERVOIR ASSEMBLY (items 1-9)
B	56507614	1	FILTER ASSEMBLY (items 10-14)
10	56002923	4	SCR HEX LOC 5/16-18 X .50
11	56419253	1	HEAD OIL FILTER
12	56419254	1	FILTER HYDRAULIC OIL
13	56900017	1	CONNECTOR O/R 10 12 E00001
14	56900116	1	ELBOW 90 O/R 10 12 E00003
15	56900480	2	ELBOW 90 O-RING

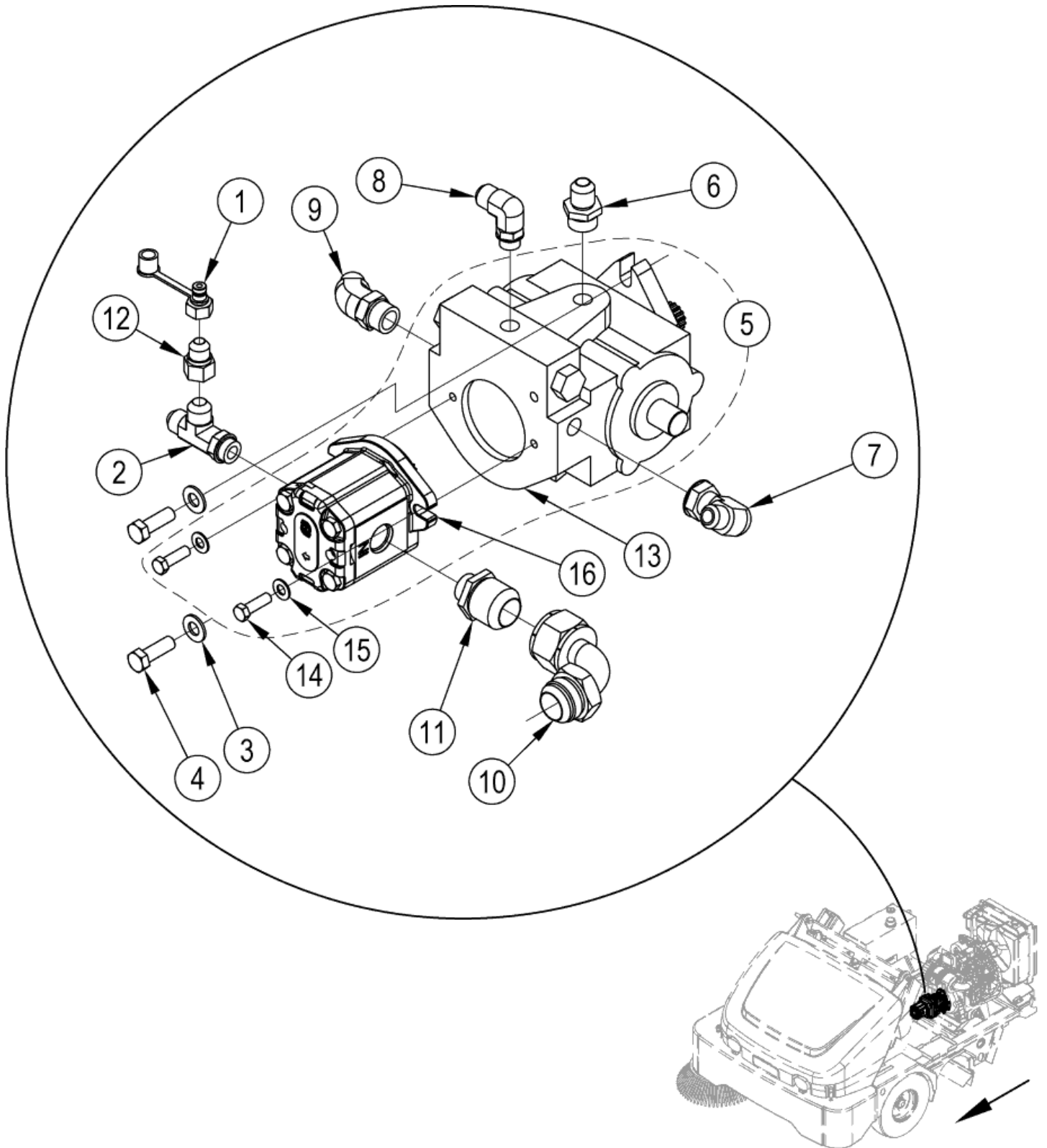
# HYDRAULIC PUMP ASSY

SW8000

05-04-2015

Part List ID  
SW800076

90



# HYDRAULIC PUMP ASSY

SW8000

05-04-2015

Part List ID  
SW800076

91

Pos	Part no.	Qty	Description	
0	56507613	1	PUMP ASSEMBLY	
1	56418866	1	COUPLING 8 TEST PORT	
2	56900205	1	TEE RUN O/R 10 E00005	
3	56001879	2	WSH FLT SAE 1/2	
4	56001968	2	SCR HEX 1/2 13 X 1.50	
5	56507511	1	HYDROSTATIC/AUX PUMP ASSY	
6	56900017	1	CONNECTOR O/R 10 12 E00001	
7	56900116	1	ELBOW 90 O/R 10 12 E00003	
8	56900119	1	ELBOW90DEG O/R 10-8 E00003	
9	56900357	1	ELBOW 45 O-RING W/NUT	
10	56107662	1	TUBE ELBOW 90 DEG-20	
11	56900391	1	CONNECTOR O-RING	
12	56900466	1	REDUCER 10-8 E00015	
13	56497918	1	PUMP PISTON	TSB-FC-2014-029
14	56001858	2	SCR HEX 3/8 16 X 1.25	
15	56002063	2	WSH FLT SAE 3/8	
16	56507069	1	PUMP GEAR	

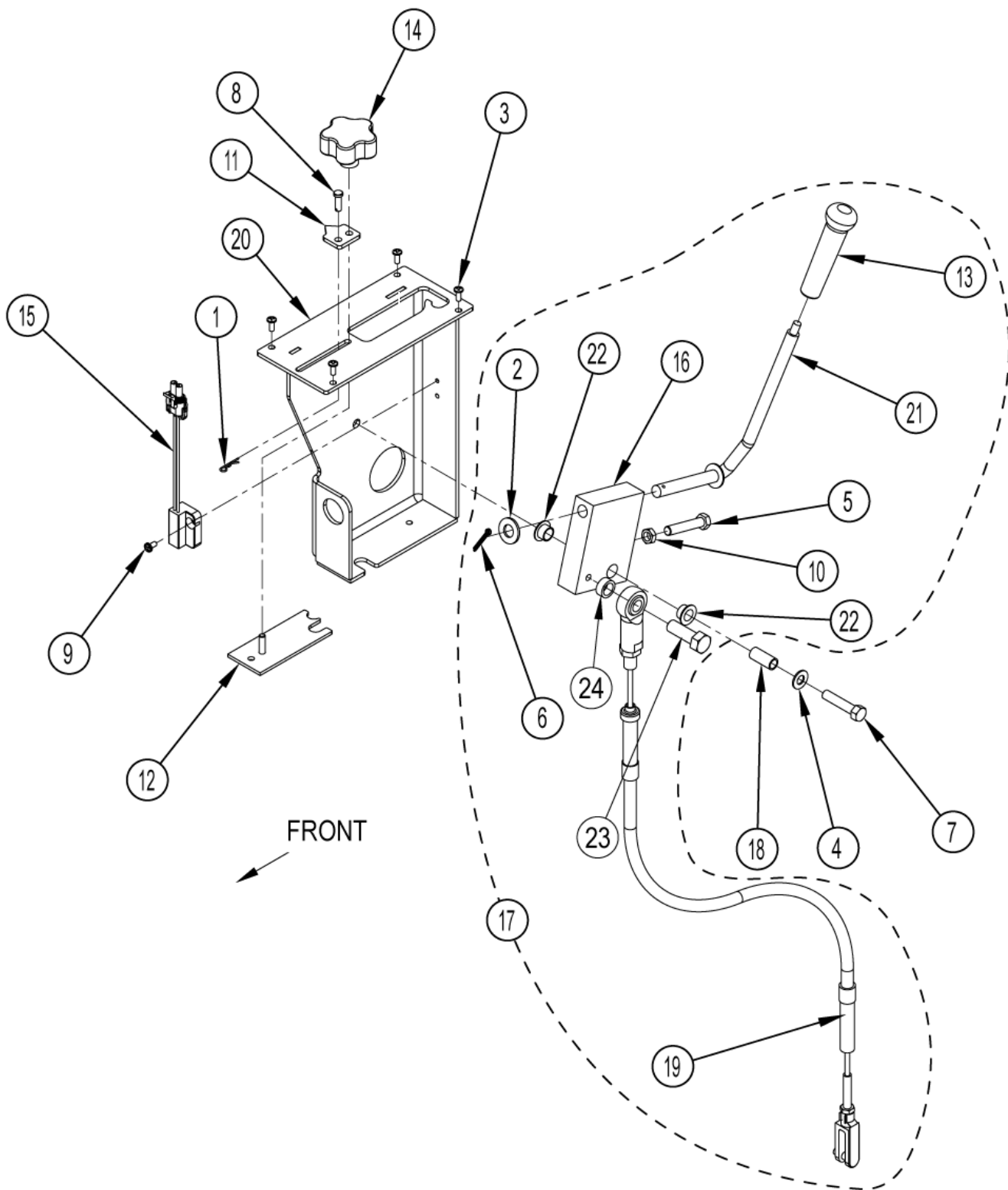
# BROOM LIFT ASSY

SW8000

05-04-2015

Part List ID  
SW800078

92



# BROOM LIFT ASSY

SW8000

05-04-2015

Part List ID  
SW800078

93

Pos	Part no.	Qty	Description
1	56003332	1	PIN COT HAIR .042X.188
2	56001879	1	WSH FLT SAE 1/2
3	56003902	4	SCR-TRUSS PHIL SS BLK10-24X.50
4	56002063	1	WSH FLT SAE 3/8
5	56002091	1	SCR HEX 3/8-16 X 2.00
6	56002529	1	PIN COT .12 X 1.00
7	56003771	1	SCR HEX HD LOC 3/8-16 1.75
8	56003663	1	PIN CLEVIS .250 X .750
9	56009030	1	SCR PAN PHIL THD FOM 10-24X.38
10	56009085	1	NUT HEX JAM 3/8 16
11	56304821	1	PLATE INDICATOR
12	56304822	1	STOP PLATE WELDMENT
13	56305010	1	KNOB BROOM
14	56305030	1	KNOB ADJUSTING
15	56305053	1	SENSOR PROXIMITY
16	56507109	1	BLOCK BROOM ARM PIVOT
17	56507110	1	BROOM ARM PIVOT ASSEMBLY (items 2, 5, 6, 10, 13, 16, 19, 21-24)
18	56507111	1	BUSHING.0.5 DIA X1.12
19	56508742	1	CABLE BROOM LIFT ASSSY
20	56107695	1	BROOM LIFT WELDT
21	56507408	1	HANDLE BROOM LIFT
22	56507560	2	BEARING PIVOT
23	56003778	1	SCR HEX LOC 1/2-20 X 1.50 GR 8
24	56051691	1	SPACER STL--.532X.750 .312L Z

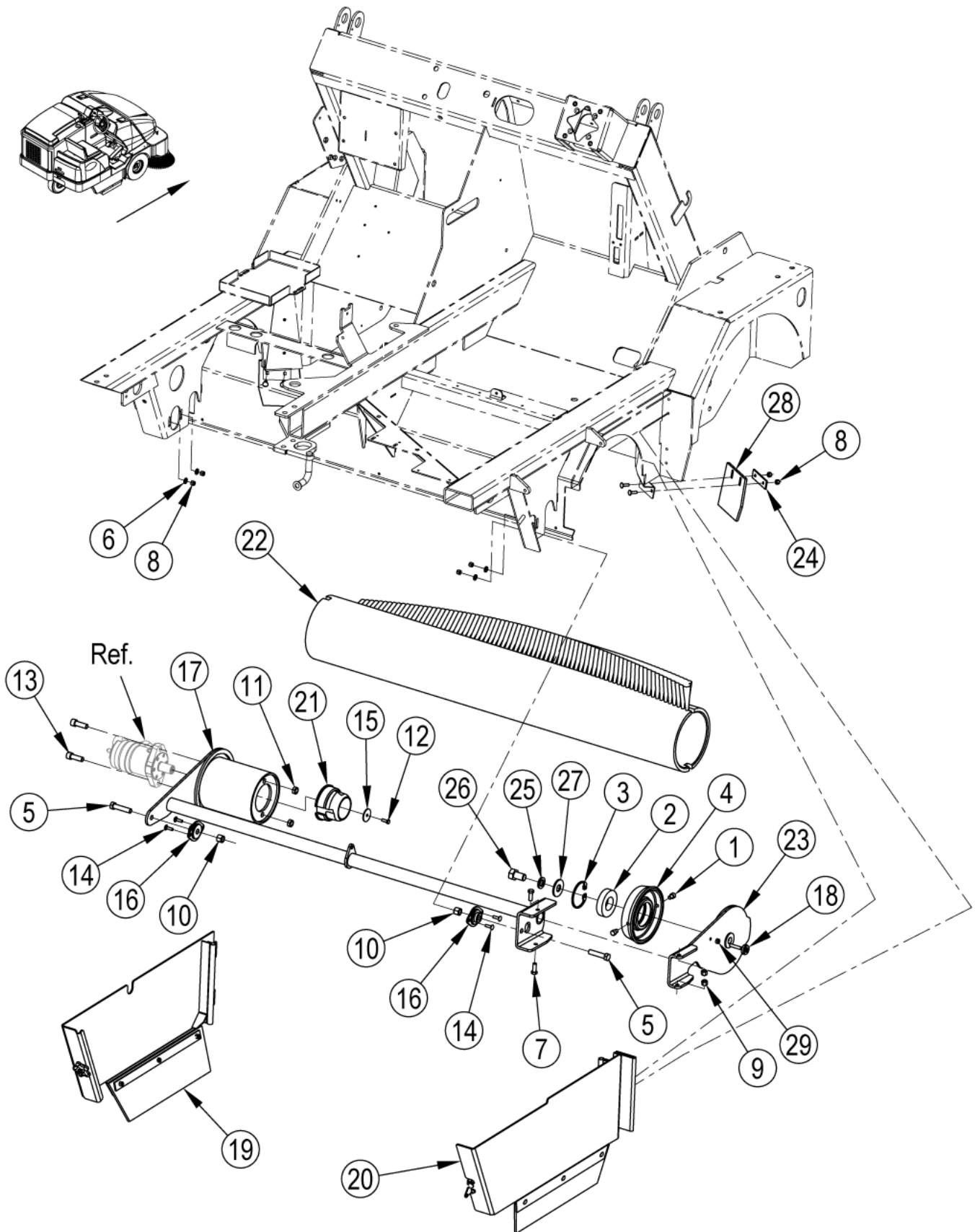
# MAIN BROOM ASSY-1

SW8000

05-04-2015

Part List ID  
SW800080

94





# MAIN BROOM ASSY-1

SW8000

05-04-2015

Part List ID  
SW800080

95

Pos	Part no.	Qty	Description
1	2-00-04886	2	SCREW-HSHC 3/8-16 X 1/2 LONG
2	2-00-04889	1	BEARING-MAIN BROOM IDLER
3	2-00-04890	1	RETAINING RING-BROOM IDLER
4	8-33-09090	1	IDLER-MAIN BROOM MACHINED
5	56003929	2	SCR-HEX SS 1/2-13 X 2.25
6	56002859	4	WSH FLT SAE SS 1/4
7	56002886	2	SCR HEX SS 3/8-16 X 1.00
8	56002491	8	NUT HEX NYL LOC SS 1/4-20
9	56003219	2	NUT HEX NYL LOC SS 3/8 16
10	56002846	2	NUT HEX NYL LOC SS 1/2-13
11	56002854	2	NUT HEX NYL LOC-THIN SS 1/2-13
12	56003221	1	SCR HEX LOC SS 1/4 20 X .75
13	56003930	2	SCR-SOC HD SS 1/2-13 X 1.50
14	56003828	8	SCR- CARRIAGE SS 1/4-20 X 1.00
15	56003931	1	WSH-FENDER SS .281X1.50X.074
16	56507230	2	BEARING
17	56107690	1	BROOM HANGER WELDT
18	56382765	1	LEVELER 5/16-18
19	56507396	1	LEFT BROOM DOOR ASSY
20	56507397	1	RIGHT BROOM DOOR ASSY
21	56507423	1	HUB
22	56507424	1	MAIN BROOM PROEX-WIRE
23	56107689	1	BRACKET-BROOM WELDT
24	56508248	2	STRAP FRONT TIRE FLAP
25	2-00-00522	1	LK WASH-HEL. ZN PL STEEL
26	56003932	1	SCR-HEX SS 3/4-10 X 1.25
27	8-75-01157	1	THRUST WASHER
28	56508247	2	FLAP FRONT TIRE TRAIL
29	56002851	1	NUT HEX NYL LOC-THIN SS5/16-18

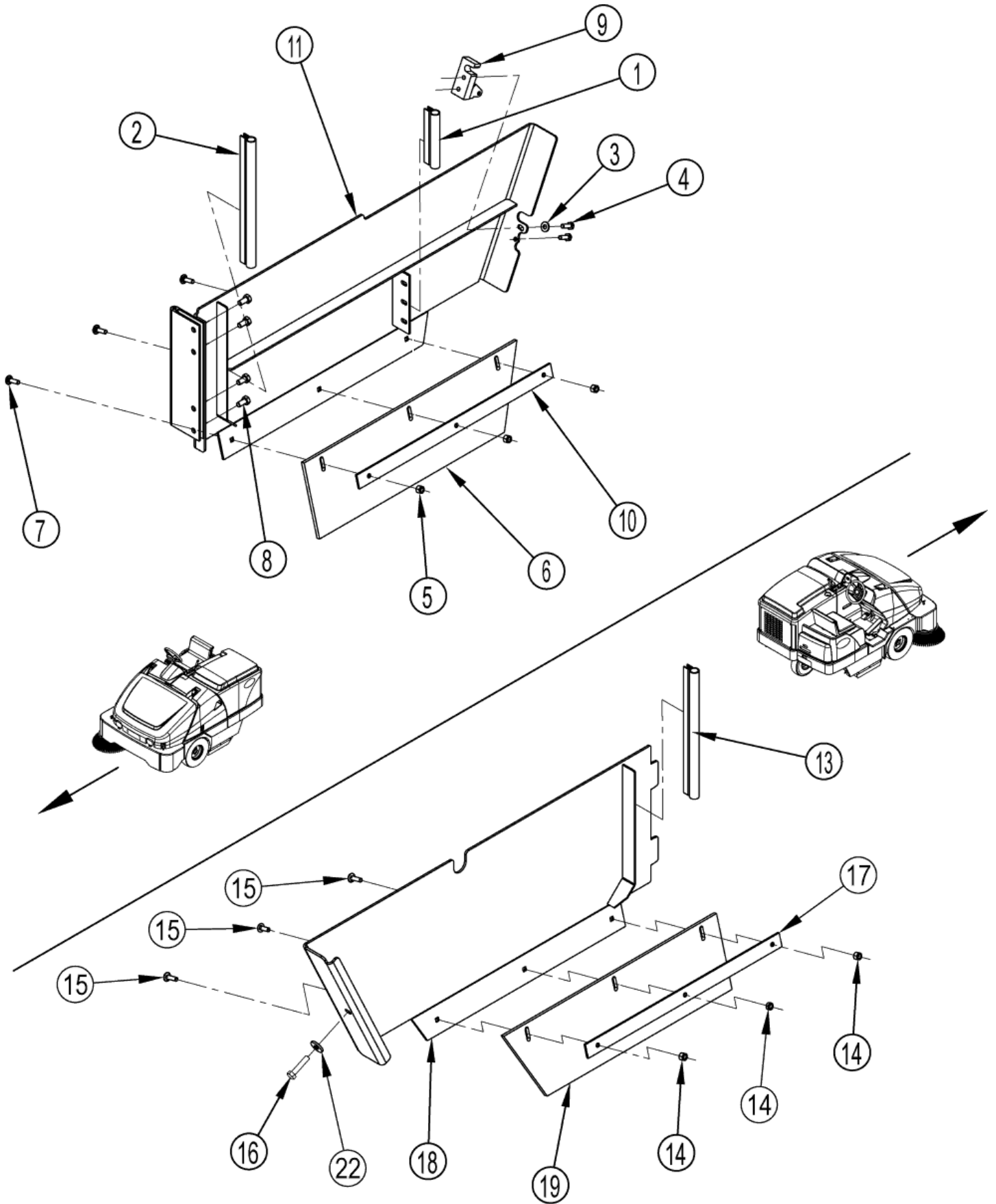
# MAIN BROOM ASSY-2

SW8000

05-04-2015

Part List ID  
SW800082

96



# MAIN BROOM ASSY-2

SW8000

05-04-2015

Part List ID  
SW800082

97

Pos	Part no.	Qty	Description
0	56507396	1	LEFT BROOM DOOR ASSY (items 13-19)
0	56507397	1	RIGHT BROOM DOOR ASSY (items 1-11)
1	56508377	1	GASKET
2	56508376	1	GASKET
3	56002859	1	WSH FLT SAE SS 1/4
4	56003221	2	SCR HEX LOC SS 1/4 20 X .75
5	56002491	3	NUT HEX NYL LOC SS 1/4-20
6	56507417	1	FLAP DOOR
7	56003916	3	SCR-CARRIAGE SS 1/4-20 X .88
8	56002937	4	SCR HEX HD LOC SS 5/16-18X .62
9	56413802	1	LATCH RH
10	56507118	1	STRAP DOOR FLAP
11	56107692	1	DOOR-BROOM RT WELDT
13	56508376	1	GASKET
14	56002491	3	NUT HEX NYL LOC SS 1/4-20
15	56003916	3	SCR-CARRIAGE SS 1/4-20 X .88
16	56003455	1	HEX HD SS 5/16-18 X 1.5
17	56507118	1	STRAP DOOR FLAP
18	56107691	1	DOOR-BROOM LT WELDT
19	56507417	1	FLAP DOOR
22	56009382	1	WSH-FLT SS .344 X 1.000 X .109

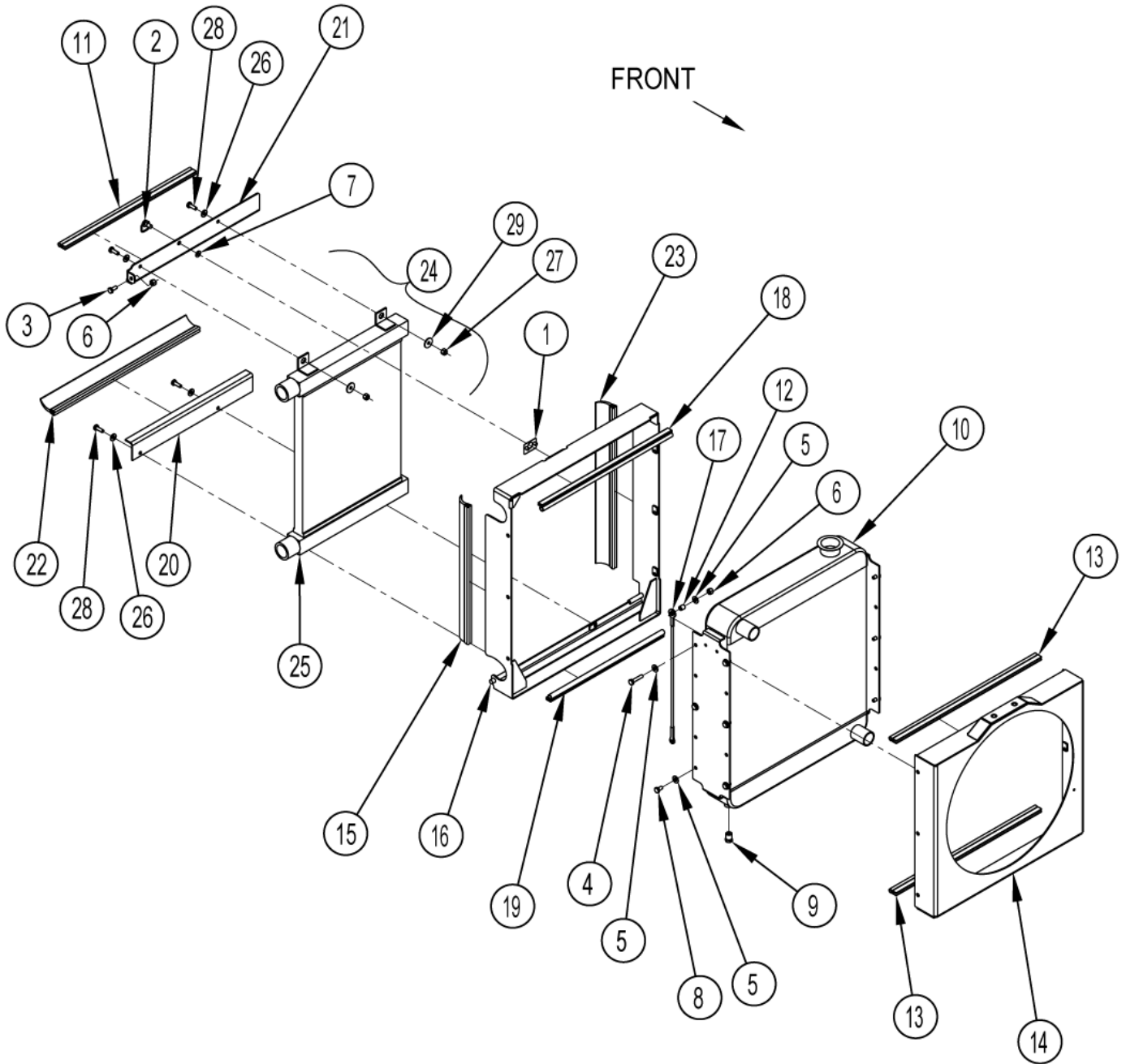
# RADIATOR ASSY

SW8000

05-04-2015

Part List ID  
SW800084

98



# RADIATOR ASSY

SW8000

05-04-2015

Part List ID  
SW800084

99

Pos	Part no.	Qty	Description	
0		1	NOTE COMMENT	Radiator Assembly (items 1-24)
1	7-23-03108	1	CLIP U TYPE	
2	7-23-03113	1	FASTENER QTR. TURN BJR5 50	
3	56001836	1	SCR HEX 1/4 20 X .62	
4	56001878	1	SCR HEX 1/4 20 X 1.25	
5	56002098	13	WSH FLT SAE 1/4	
6	56002708	2	NUT HEX NYL LOC 1/4-20	
7	7-23-03106	1	WASHER GP5B	
8	56003039	11	SCR HEX LOC 1/4-20 X .50	
9	56740136	1	PLUG BRASS E00040	
10	56107665	1	RADIATOR-6 FIN	
10	56305638	1	SMALL RADIATOR CAP 13 PSI	Optional, Not Included
10	56456431	1	CAP RADIATOR	Not Shown
11	56508435	1	GASKET	
12	56321532	1	BUSHING .25X.37X.40HC42C	
13	56418955	2	GASKET	
14	56508194	1	SHROUD RADIATOR	
15	56508315	1	GASKET RADIATOR	
16	56508240	1	SHROUD COOLER WELDT	
17	56107644	1	CABLE ASSY	
18	56508309	1	TRIM-SEAL	
19	56508310	1	TRIM-SEAL	
20	56508311	1	BRACKET	
21	56508312	1	BRACKET	
22	56508313	1	GASKET RADIATOR	
23	56508314	1	GASKET RADIATOR	
24	56507608	1	OIL COOLER ASSEMBLY	(items 25-29)
25	56463678	1	COOLER OIL	
26	56002098	4	WSH FLT SAE 1/4	
27	56002708	2	NUT HEX NYL LOC 1/4-20	
28	56002948	4	SCR HEX LOC 1/4 20 X 0.75	
29	56009002	2	WASHER FLAT .266X.906X.060	

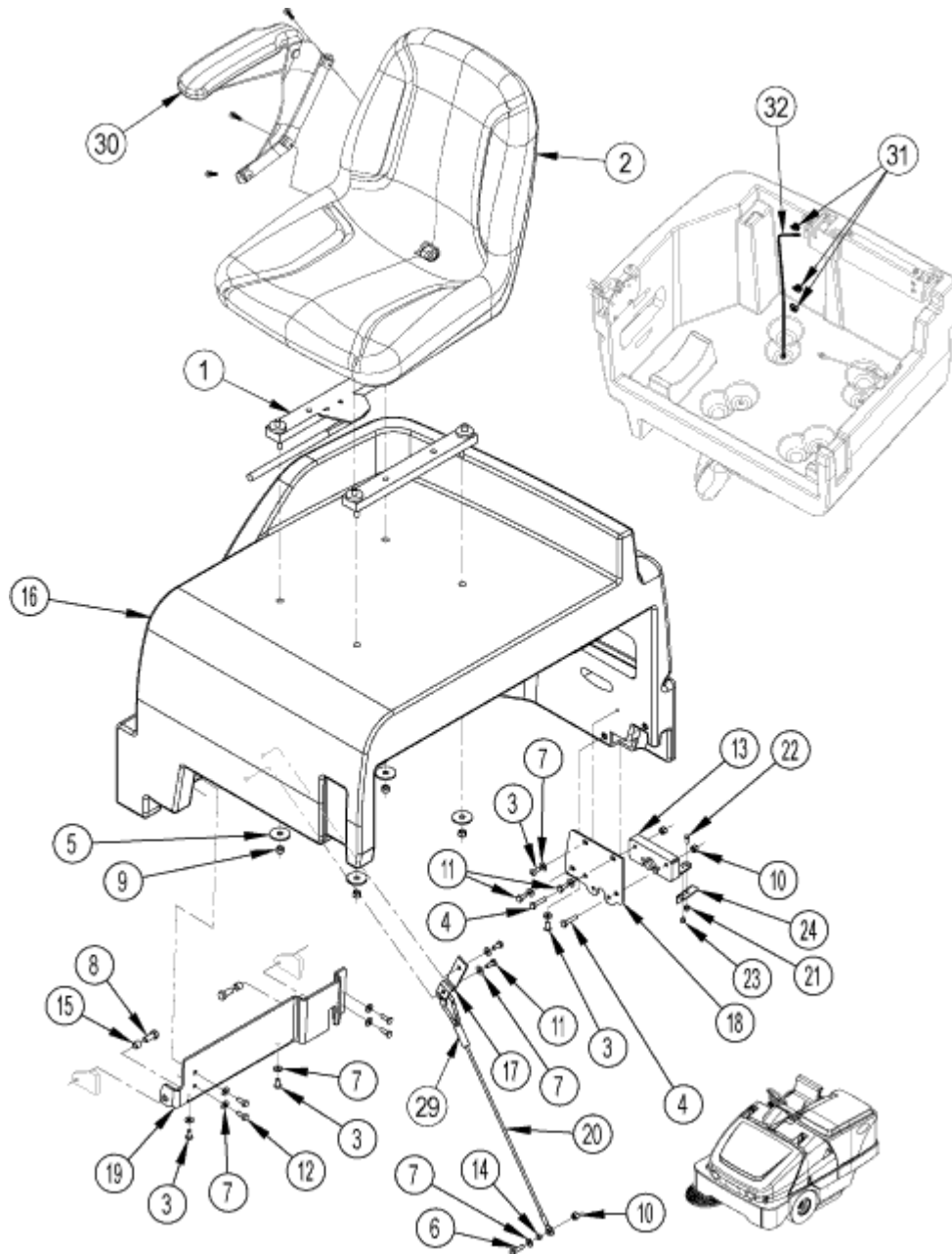
# SEAT ASSY

SW8000

05-04-2015

Part List ID  
SW800086

100



# SEAT ASSY

SW8000

05-04-2015

Part List ID  
SW800086

101

Pos	Part no.	Qty	Description	
1	7-72-05005	1	SLIDE ADJUSTER KIT	
2	56383291	1	SEAT-8 IN. MOUNT	Note 1
3	56009120	4	SCR PANPHIL SS TYPEB1/4-14X.62	
4	56001878	2	SCR HEX 1/4 20 X 1.25	
5	56009242	4	WSH FLT .406X1.50X.125	
6	56001836	1	SCR HEX 1/4 20 X .62	
7	56002098	13	WSH FLT SAE 1/4	
8	56002271	2	SCR HEX 3/8-16 X .88	
9	56002701	4	NUT HEX NYL LOC 5/16-18	
10	56002708	3	NUT HEX NYL LOC 1/4-20	
11	56002922	4	SCR HEX LOC 1/4-20 X .62	
12	56002948	4	SCR HEX LOC 1/4 20 X 0.75	
13	56304827	1	LATCH RH	
14	56163872	1	BUSHING .25X.37X.16PM6H	
15	56388326	2	BUSHING .38X.48X.41	
16	56507088	1	SEAT SUPPORT	
17	56508097	1	BRACKET	
18	56508322	1	BRACKET SEAT LATCH MTG	
19	56508330	1	SEAT PIVOT WELDT	
20	56508335	1	CABLE ASSEMBLY	
21	56002832	1	NUT HEX NYL LOC-THIN 10-24	
22	56009039	1	SCR HEX THD FORM 10-24X .50	
23	56009063	1	SCR HEX THD FORM 10-24X .25	
24	56107694	1	HANDLE LATCH	
29	56508774	1	SHRINK TUBE .75 X 2.5	
30	56383189	1	ARM REST KIT-R/H ONLY	Note 2
30	7-03-04250	1	ARM REST RH ONLY	Note 3
31	56507793	3	CLIP CONDUIT	
32	56508924	1	WIRE-ASSEMBLY	

NOTE 1: Seat 7-69-00008 has been replaced in production with Seat 56383291. If you need to replace Seat 7-69-00008 please order Seat Kit 56383467.

NOTE 2: Arm Rest Kit 56383189 is only for use on Seat 56383291.

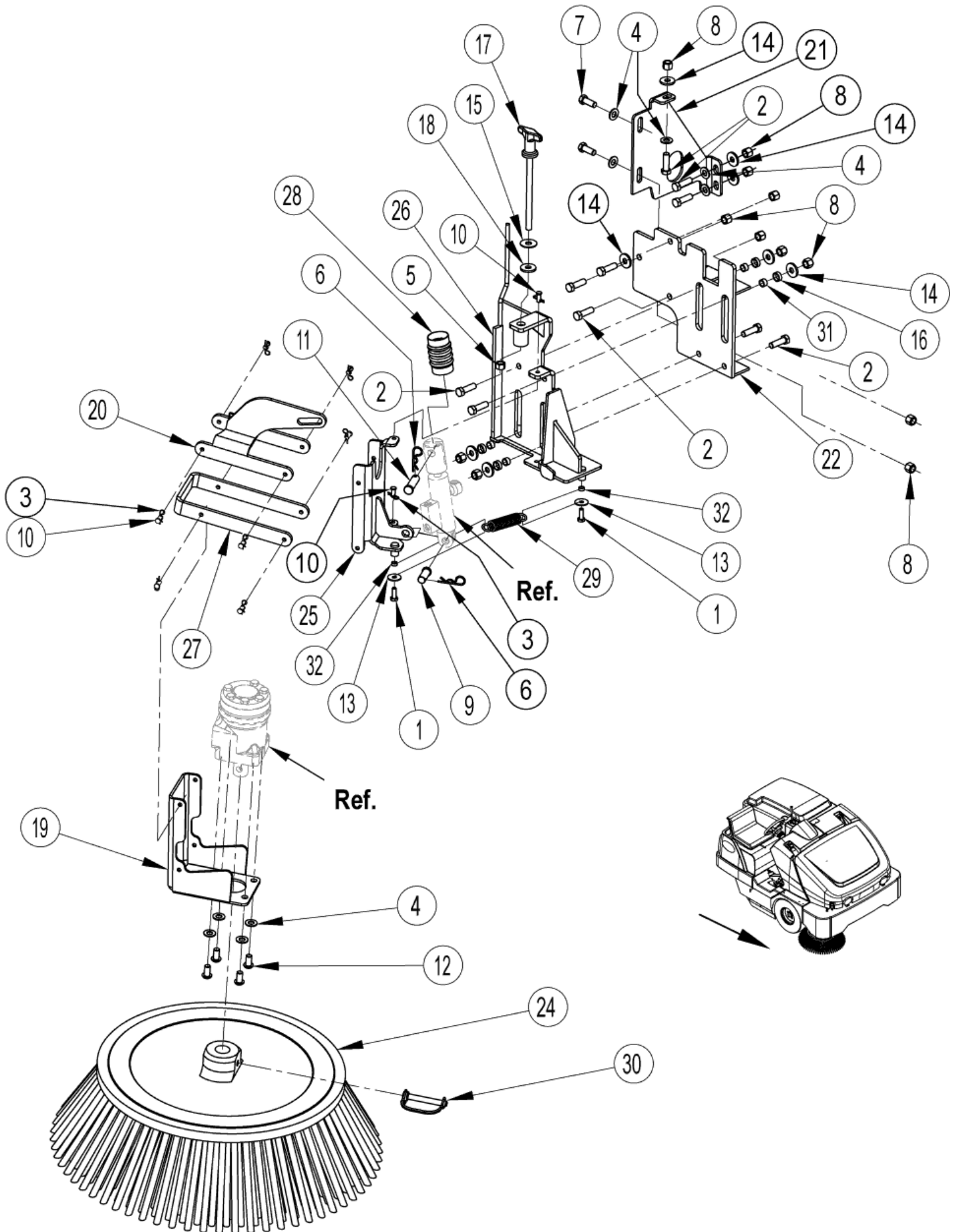
# SIDE BROOM SYSTEM

SW8000

05-04-2015

Part List ID  
SW800088

102





# SIDE BROOM SYSTEM

SW8000

05-04-2015

Part List ID  
SW800088

103

Pos	Part no.	Qty	Description
1	56002948	2	SCR HEX LOC 1/4 20 X 0.75
2	56001858	10	SCR HEX 3/8 16 X 1.25
3	56003530	10	PIN COT HAIR .059 X .375
4	56002063	9	WSH FLT SAE 3/8
5	56002123	1	NUT HEX MACHINE 3/8 16
6	56003120	2	PIN COT HAIR.093XDIA .25 .50
7	56002663	2	SCR HEX 3/8-16 X 1.00
8	56002769	12	NUT HEX NYL LOC 3/8-16
9	56003514	1	PIN CLEVIS .500 X 1.25
10	56003727	10	PIN CLEVIS .250 X .625
11	56003728	1	PIN CLEVIS .500 X 1.75
12	56003729	4	SCR SOC HD BUT LOC 3/8-16X.75
13	56009002	2	WASHER FLAT .266X.906X.060
14	56009107	8	WSH FLT SS .378/.373X1.00X.075
15	56151068	1	WSH FLT FIBRE ..406G31E
16	56365030	4	BUSHING CA334D
17	56413576	1	KNOB
18	56413599	1	WASHER RUBBER
19	56507078	1	MOUNT SIDE MOTOR
20	56507080	1	LINKAGE SIDE BROOM WELDT
21	56507122	1	BRACKET
22	56507148	1	BRACKET SIDE BROOM
24	56508498	1	SIDE BROOM POLY 41 DEGREES
25	56507502	1	BRACKET SIDE BROOM PIVOT
26	56507601	1	BRACKET SIDE BROOM MOUNT
27	56507633	1	SIDE BROOM LINKAGE
28	56507634	1	SIDE BROOM CYCLINDER BELLOWS
29	56507707	1	SPRING SIDE BROOM
30	56508392	1	PIN T-LOCK
31	56508363	4	BUSHING .377 X .49 X .30
32	56163872	2	BUSHING .25X.37X.16PM6H

# LADDER DIAGRAM-1

SW8000

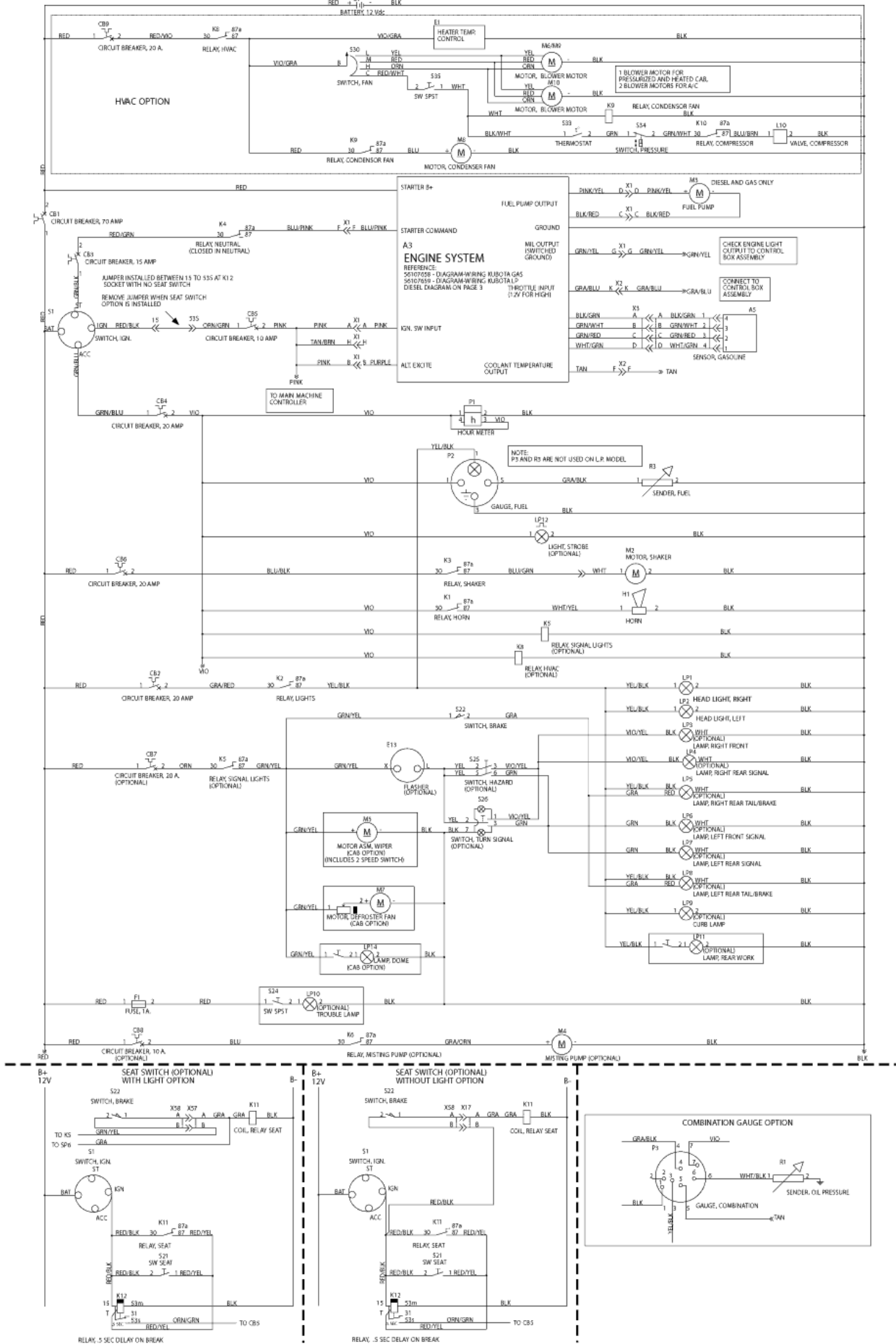
05-04-2015

Part List ID

SW800090

104

## LADDER DIAGRAM-1



# LADDER DIAGRAM-1

SW8000

05-04-2015

Part List ID  
SW800090

105

Pos	Part no.	Qty	Description	
A3	56107647	1	ECU-KUBOTA LPG	LPG only)
A3	56107664	1	ECU-KUBOTA PETROL	Petrol only)
A5	56107670	1	FUEL MANIFOLD	(LPG & Petrol)
BT	33019628	1	BATTERY START 12V 77 AH	
E1	56508776	1	VALVE HEATER CONTROL	
F1		1	NOTE COMMENT	Fuse, 1 Amp
H1	56442054	1	HORN 12 VOLT CV438	
K1	56418387	1	RELAY SPDT	
K2	56418387	1	RELAY SPDT	
K3	56107639	1	RELAY	
K4	56418387	1	RELAY SPDT	
K5	56418387	1	RELAY SPDT	
K6	56418387	1	RELAY SPDT	
K8	56418387	1	RELAY SPDT	
K9	56508897	1	RELAY CONDENSER FAN	
M2	56508664	1	MOTOR 12VDC	
M3		1	NOTE COMMENT	Pump, Fuel NOTE 2
M4	56507851	1	PUMP 24 VDC	
M5	56508636	1	WIPER MOTOR	
M6	0882-055	1	MOTOR	
M7	56508820	1	ASSY DASH FAN	
M8	56508896	1	FAN CONDENSER	
M9	56508898	1	FAN BLOWER	
P1	56393718	1	HOURLY METER	
P2	8-48-05032	1	GAUGE-FUEL	
P3	56304569	1	GAUGE 4 IN 1	
P3	56304589	1	GAUGE 3 IN 1	
R1	56305619	1	SENDER PRESSURE	
R3	56478358	1	SENDER FUEL LEVEL RE437A	
S1	56418685	1	SWITCH STARTER	
S1	56497754	1	KEY SWITCH	
CB1	56454429	1	CIRCUIT BREAKER 70A	
CB2	56413822	1	CIRCUIT BREAKER 20 AMP	
CB3	56413407	1	CIRCUIT BREAKER 15 AMP	
CB4	56413822	1	CIRCUIT BREAKER 20 AMP	
CB5	56507644	1	CIRCUIT BREAKER 10 AMP	
CB6	56413822	1	CIRCUIT BREAKER 20 AMP	
CB7	56413822	1	CIRCUIT BREAKER 20 AMP	
CB8	56507644	1	CIRCUIT BREAKER 10 AMP	
CB9		1	NOTE COMMENT	Circuit Breaker, 40 Amp (for cab option)
E13	56507887	1	FLASHER 12V 2 TERMINAL	
K10	56418387	1	RELAY SPDT	
L10	56508798	1	VALVE HYDRAULIC	

NOTE 1: Reference; 56382530 = Ladder Diagram & 56382531 = Wiring Diagram.

NOTE 2: Part number is dependent on engine, see ENGINE REPLACEMENT PARTS of appropriate engine.

# LADDER DIAGRAM-1

SW8000

05-04-2015

Part List ID  
SW800090

106

Pos	Part no.	Qty	Description
LP1	56507223	1	HEAD LIGHT ASSEMBLY
LP2	56507223	1	HEAD LIGHT ASSEMBLY
LP3	56507113	1	LIGHT AMBER ROUND TURN
LP4	56507113	1	LIGHT AMBER ROUND TURN
LP5	56507112	1	LIGHT RED ROUND STOP
LP6	56507113	1	LIGHT AMBER ROUND TURN
LP7	56507113	1	LIGHT AMBER ROUND TURN
LP8	56507112	1	LIGHT RED ROUND STOP
LP9	56507830	1	LAMP 12V
M10	56508898	1	FAN BLOWER
S22	56508191	1	SWITCH ASSEMBLY N.O.
S24		1	NOTE COMMENT Switch (part of LP10)
S25	56507889	1	SWITCH SPDT ROCKER
S26	56507888	1	SWITCH SPDT ROCKER
S30		1	NOTE COMMENT Switch, Fan
S33	56508899	1	SWITCH THERMOSTAT
S34	56508871	1	SWITCH BINARY
S35	56507889	1	SWITCH SPDT ROCKER
LP1	56305627	1	TROUBLE LAMP
LP1	56507830	1	LAMP 12V
LP1	56305223	1	BEACON WARNING
LP1	56508819	1	ASSY DOME LIGHT

NOTE 1: Reference; 56382530 = Ladder Diagram & 56382531 = Wiring Diagram.

NOTE 2: Part number is dependent on engine, see ENGINE REPLACEMENT PARTS of appropriate engine.

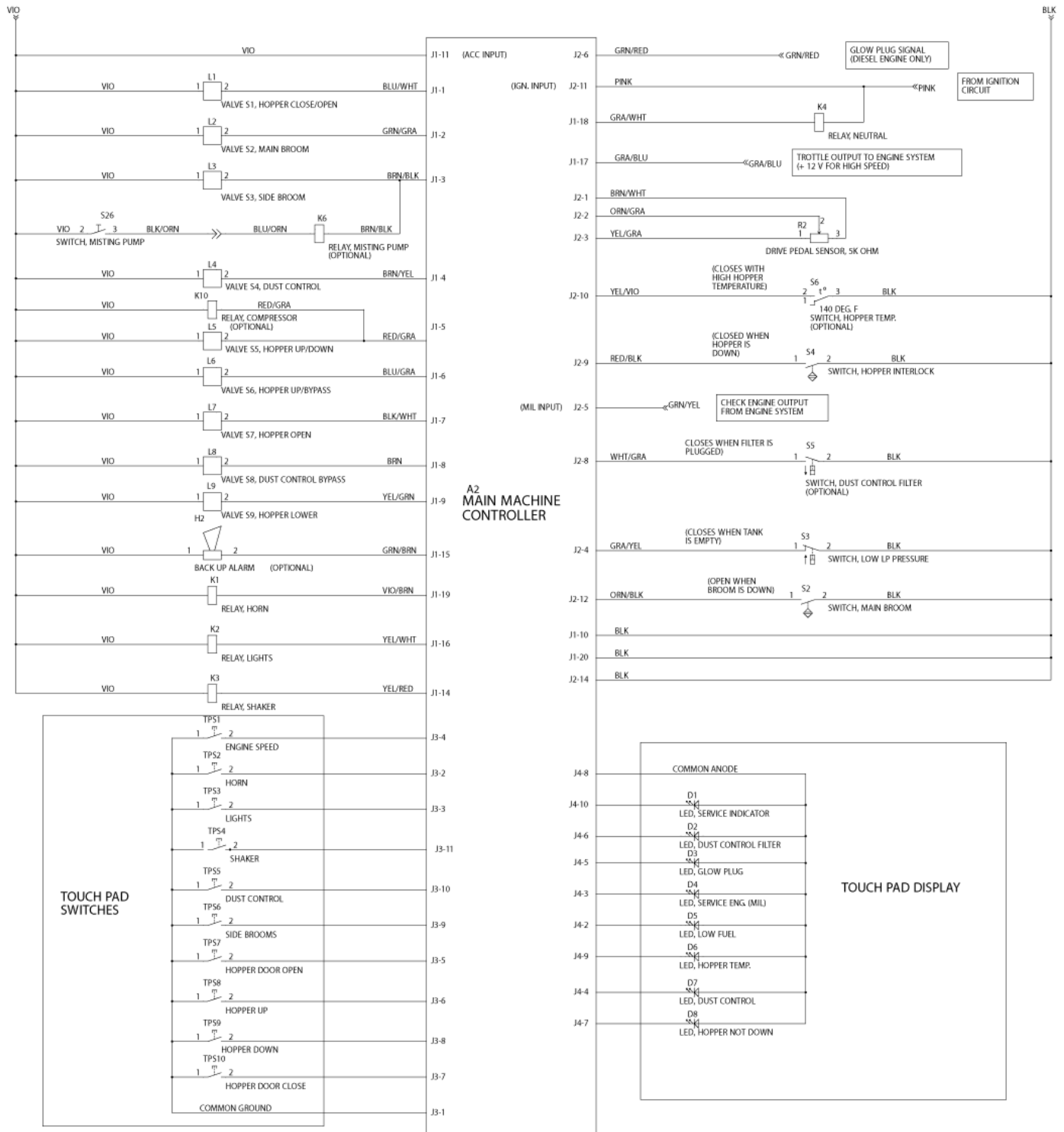
# LADDER DIAGRAM-2

SW8000

05-04-2015

Part List ID  
SW800092

107



# LADDER DIAGRAM-2

SW8000

05-04-2015

Part List ID  
SW800092

108

Pos	Part no.	Qty	Description	
A2	56107627	1	KIT-CONTROL BOX	CONTROL BOX ASSEMBLY
H2	56409232	1	BACK-UP ALARM	BACK UP ALARM
K1	56418387	1	RELAY SPDT	RELAY, HORN
K2	56418387	1	RELAY SPDT	RELAY, LIGHTS
K3	56107639	1	RELAY	RELAY, SHAKER
K4	56418387	1	RELAY SPDT	RELAY, NEUTRAL
K6	56418387	1	RELAY SPDT	RELAY, MISTING PUMP (OPTIONAL)
L1		1	NOTE COMMENT	VALVE S1, HOPPER CLOSE/OPEN
L2		1	NOTE COMMENT	VALVE S2, MAIN BROOM
L3		1	NOTE COMMENT	VALVE S3, SIDE BROOM
L4		1	NOTE COMMENT	VALVE S4, DUST CONTROL
L5		1	NOTE COMMENT	VALVE S5, HOPPER UP/DOWN
L6		1	NOTE COMMENT	VALVE S6, HOPPER UP/BYPASS
L7		1	NOTE COMMENT	VALVE S7, HOPPER OPEN
L8		1	NOTE COMMENT	VALVE S8, DUST CONTROL BYPASS
L9		1	NOTE COMMENT	VALVE S9, HOPPER LOWER
R2	56305129	1	ROTARY SENSOR	DRIVE PEDAL SENSOR, 5K OHM
S2	56305053	1	SENSOR PROXIMITY	SWITCH, MAIN BROOM
S3	56418381	1	SWITCH N C PRESSURE	SWITCH, LOW LP PRESSURE
S4	56305053	1	SENSOR PROXIMITY	SWITCH, HOPPER INTERLOCK
S5	56305518	1	SWITCH VACUUM	SWITCH, DUST CONTROL FILTER (OPTIONAL)
S6	56418405	1	SWITCH TEMPERATURE	SWITCH, HOPPER TEMP. (OPTIONAL)
S26		1	NOTE COMMENT	SWITCH, MISTING PUMP (OPTIONAL)
TPS		1	NOTE COMMENT	TOUCH PAD SWITCH, ENGINE SPEED NOTE
TPS		1	NOTE COMMENT	TOUCH PAD SWITCH, HORN NOTE 1
TPS		1	NOTE COMMENT	TOUCH PAD SWITCH, LIGHTS NOTE 1
TPS		1	NOTE COMMENT	TOUCH PAD SWITCH, SHAKER NOTE 1
TPS		1	NOTE COMMENT	TOUCH PAD SWITCH, DUST CONTROL NOTE 1
TPS		1	NOTE COMMENT	TOUCH PAD SWITCH, SIDE BROOMS NOTE 1
TPS		1	NOTE COMMENT	TOUCH PAD SWITCH, HOPPER DOOR OPEN NOTE 1
TPS		1	NOTE COMMENT	TOUCH PAD SWITCH, HOPPER UP NOTE 1
TPS		1	NOTE COMMENT	TOUCH PAD SWITCH, HOPPER DOWN NOTE 1
TPS		1	NOTE COMMENT	TOUCH PAD SWITCH, HOPPER DOOR CLOSE NOTE 1

NOTE 1: Part of Touch Pad 56107601 for petrol and LPG or 56107603 for diesel.

NOTE 2: Reference; 56382530 = Ladder Diagram & 56382531 = Wiring Diagram.

# LADDER DIAGRAM-3

SW8000

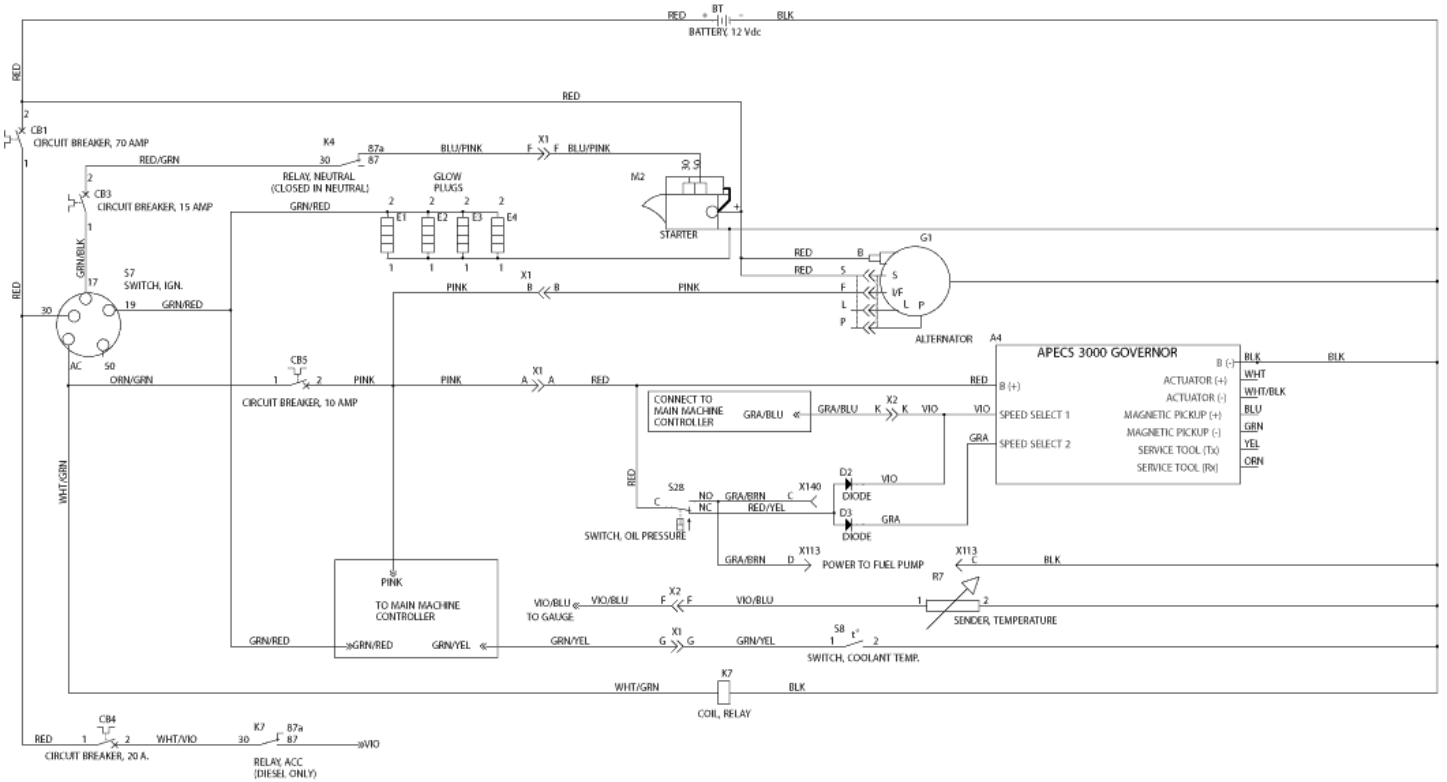
05-04-2015

Part List ID  
SW800094

109

## LADDER DIAGRAM-3

### KUBOTA DIESEL ENGINE SYSTEM



# LADDER DIAGRAM-3

SW8000

05-04-2015

Part List ID  
SW800094

110

Pos	Part no.	Qty	Description	
A4	56508400	1	GOVERNOR CONTROLLER	
BT	33019628	1	BATTERY START 12V 77 AH	
D2		1	NOTE COMMENT	Diode
D3		1	NOTE COMMENT	Diode
E1		1	NOTE COMMENT	Glow Plug
E2		1	NOTE COMMENT	Glow Plug
E3		1	NOTE COMMENT	Glow Plug
E4		1	NOTE COMMENT	Glow Plug
G1	56110738	1	ALTERNATOR 105 AMP	
K4	56418387	1	RELAY SPDT	
K7	56418387	1	RELAY SPDT	(Diesel only)
M2	56419089	1	STARTER MOTOR	
R7	56305873	1	SENDER TEMPERATURE	
S7	56497754	1	KEY SWITCH	
S8	56419091	1	SWITCH TEMPERATURE	
CB1	56454429	1	CIRCUIT BREAKER 70A	
CB3	56413407	1	CIRCUIT BREAKER 15 AMP	
CB4	56413822	1	CIRCUIT BREAKER 20 AMP	
CB5	56507644	1	CIRCUIT BREAKER 10 AMP	
S28		1	NOTE COMMENT	Switch, Oil Pressure

NOTE 1: Reference; 56382530 = Ladder Diagram & 56382531 = Wiring Diagram.



# OPTIONAL KITS & ACCESSORIES

SW8000

05-04-2015

Part List ID  
SW800096

111

No Drawing For Part List

# OPTIONAL KITS & ACCESSORIES

SW8000

05-04-2015

Part List ID  
SW800096

112

Pos	Part no.	Qty	Description	
1		1	NOTE COMMENT	OPTIONS
2	56507184	1	LEFT HAND SIDE BROOM OPTION	
3	56507228	1	TILT STEERING OPTION	
4	56507025	1	ASSY HEATER-PRESSURIZER	NOTE 3
5	56507021	1	ASSY HEATER-PRESSR AND AC	NOTE 3
6	56107780	1	ASSY HEATER-PRESSR AND AC	NOTE 4
7	56107781	1	ASSY HEATER-PRESSURIZER	NOTE 4
8	666666	1	NOTE COMMENT	CAB MODEL ACCESSORIES
9	56508811	1	REAR BUMPER KIT-CAB	NOTE 1
10	56508812	1	BROOM GUARD/REAR BUMP KIT-CAB	NOTE 1
11	56508813	1	FIRE EXTINGUISHER KIT-CAB	
12	56508663	1	MIRROR KIT FOR CAB AND OHG	
13	56508826	1	RAISED INTAKE FILTER CAB	NOTE 1
14		1	NOTE COMMENT	ACCESSORIES
15	56507030	1	LITTER VAC KIT	NOTE 1
16	56507029	1	HOPPER TEMP SENSOR KIT	NOTE 1
17	56507036	1	PLUGGED FILTER SWITCH KIT	NOTE 1
18	56507033	1	RAISED INTAKE FILTER NO OHG	NOTE 1
19	56507037	1	FOAM FILLED TIRE KIT	
20	56508873	1	SOLID TIRE KIT	
21	56507023	1	BACK UP ALARM KIT	
22	56507024	1	BRAKE/TURN SIGNAL LIGHT KIT	NOTE 1
23	56507034	1	WORK LIGHT KIT	NOTE 1
24	56507038	1	AMBER STROBE NO OHG	STANDARD ON NONCAB MODELS)
25	56507039	1	AMBER STROBE FOR OHG	NOTE 1
26	56508825	1	AMBER STROBE CAB	(STANDARD ON CAB MODELS)
27	56507394	1	OVERHEAD GUARD KIT	NOTE 1
28	56507040	1	SUSPENSION SEAT KIT	NOTE 1
29	56383455	1	SEAT BELT KIT- STANDARD SEAT	NOTE 1
30	56383885	1	KUBOTA DIESEL GAUGE KIT-BSPP	(Standard on all Diesel models) NOTE 1 / NOTE 5
31	56508722	1	KUBOTA DIESEL GAUGE KIT	(Standard on all Diesel models) NOTE 1 / NOTE 6
32	56107673	1	KUBOTA LPG GAUGE KIT-4 CYL	(Standard on all LPG models) NOTE 1
32	56107674	1	KUBOTA GASOLINE GAUGE KIT-4CYL	(Standard on all Petrol models) NOTE 1
33	56507850	1	MIST SPRAY KIT	NOTE 1
34	56508364	1	RIGHT SIDE BROOM GUARD KIT	NOTE 1
35	56508365	1	LEFT SIDE BROOM GUARD KIT	NOTE 1
36	56508720	1	REAR BUMPER KIT	NOTE 1
37	56508741	1	BROOM GUARD/REAR BUMPER KIT	NOTE 2

NOTE 1: Replacement parts for the kits listed above can be found on each kit's associated instruction sheet.

NOTE 2: Consists of 56508364, 56508365 & 56508720.

NOTE 3: Factory installed kit only for diesel cab models.

NOTE 4: Factory installed kit only for gasoline/petrol and LPG cab models.

NOTE 5: All Diesel machines built after serial number 1000053695 needing to replace the Temperature Sender

56383884 or a dealer installed Diesel Gauge Kit, use Diesel Gauge

Kit BSPP 56383885. All Diesel machines getting a first time installation of a Diesel Gauge Kit regardless of

the serial number, use Diesel Gauge Kit BSPP 56383885.

NOTE 6: All Diesel machines built before serial number 1000053696 with factory installed temperature gauge

# OPTIONAL KITS & ACCESSORIES

SW8000

05-04-2015

Part List ID  
SW800096

113

Pos	Part no.	Qty	Description	
38	56107612	1	FRONT BUMPER KIT	NOTE 1
39	8-24-04139-1	1	FLTR PANEL ULTRA-WEB CELLULOSE	
40	56382789	1	FILTER PANEL POLY HIGH FLOW	
41	56508953	1	FILTER-HEPA	
42	56508433	1	FLOOR MAT KIT	
43	56508889	1	HOPPER BOTTOM PLATE KIT	
44	56507710	1	POCKET FILTER ASSEMBLY	
45	56507740	1	POCKET FILTER WATER RESISTANT	
46	56507588	1	POCKET FILTER FILTRO SACCHE	
47	56044637	1	LITERATURE PACK	
48	56044638	1	LITERATURE PACK	
49	56504516	1	KIT-HYDRAULIC TEST	
50	56107680	1	KIT-SIDE BROOM SPEED CONTROL	
51	56107638	1	BROOM CHEVRON MAIN-PROPE	
52		1	NOTE COMMENT	
53	56107764	1	CD-KUBOTA ENGINE SOFTWARE	
54		1	NOTE COMMENT	MAIN BROOMS
55	56507424	1	MAIN BROOM PROEX-WIRE	
56	56507340	1	MAIN BROOM PROEX-WIRE CHEVRON	
57	56507342	1	MAIN BROOM PROEX-WIRE-12 ROW	
58	56507345	1	MAIN BROOM NYLON	
59	56507346	1	MAIN BROOM PROEX	
60	56507344	1	MAIN BROOM POLYPRO-WIRE-12 ROW	
61	56507343	1	MAIN BROOM POLYPROPYLENE	
62	56107638	1	BROOM CHEVRON MAIN-PROPE	
63		1	NOTE COMMENT	SIDE BROOMS
64	56507350	1	SIDE BROOM POLYPROPYLENE	
65	56507351	1	SIDE BROOM NYLON	
66	56507352	1	SIDE BROOM FLAT WIRE	
67	56508498	1	SIDE BROOM POLY 41 DEGREES	
68	56508499	1	SIDE BROOM NYLON 41 DEGREES	

NOTE 1: Replacement parts for the kits listed above can be found on each kit's associated instruction sheet.

NOTE 2: Consists of 56508364, 56508365 & 56508720.

NOTE 3: Factory installed kit only for diesel cab models.

NOTE 4: Factory installed kit only for gasoline/petrol and LPG cab models.

NOTE 5: All Diesel machines built after serial number 1000053695 needing to replace the Temperature Sender 56383884 or a dealer installed Diesel Gauge Kit, use Diesel Gauge Kit BSPP 56383885. All Diesel machines getting a first time installation of a Diesel Gauge Kit regardless of the serial number, use Diesel Gauge Kit BSPP 56383885.

NOTE 6: All Diesel machines built before serial number 1000053696 with factory installed temperature gauge

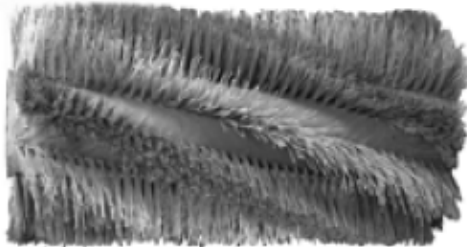
# BROOM SELECTOR GUIDE

SW8000

05-04-2015

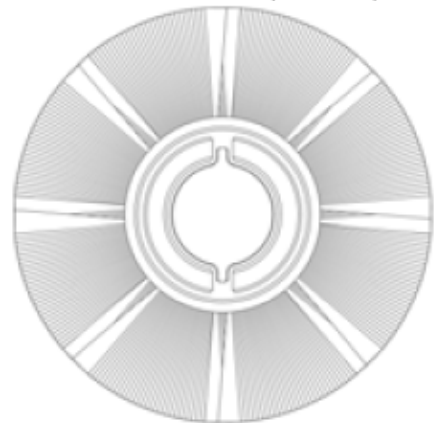
Part List ID  
SW800098

114



## 8 Double Row

Length.....50" (127.6 cm)  
Diameter ..... 14" (35.56 cm)



- Main Broom:** 56507424 Proex & Wire (STD.) (8 Double Rows)  
56507340 Proex & Wire (optional) (Chevron)  
56507342 Proex & Wire (optional) (12 D-Rows)

This broom has a more aggressive cleaning action, used to pick up heavier debris.

## 56507345 Nylon (optional) (8 D-Rows)

General purpose broom that can be used for all types of light soil. High wear material so uneven surfaces do not cause excessive wear. Nylon has a high heat deflection temperature, is chemical resistant and will absorb water in wet conditions. Truly a general purpose broom.

## 56507341 Proex (optional) (12 Double Rows)

## 56507346 Proex (optional) (8 Double Rows)

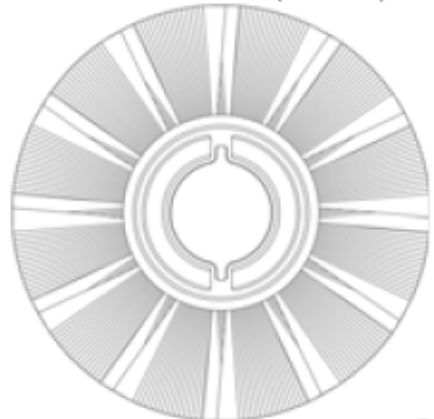
Synthetic fiber made of polypropylene designed to pick up paper gravel, sand and other lighter less bulky litter.

## 56507344 Polypropylene/Wire (optional) (12 D-Rows)

## 56507343 Polypropylene (optional) (8 D-Rows)

## 12 Double Row

Length.....50" (127.6 cm)  
Diameter ..... 14" (35.56 cm)



- Side Broom:** 56507350 Polypropylene 30° (STD.)

The side broom function is to sweep the dirt and debris away from the curb, wall, pallet, etc. into the path of the main broom.

## 56507351 Nylon 30° (optional)

## 56507352 Wire 30° (optional)

## 56508498 Polypropylene 41° (optional)

## 56508499 Nylon 41° (optional)



(30°) Diameter.....22" (58 cm)  
(41°) Diameter.....26" (66 cm)

# BROOM SELECTOR GUIDE

SW8000

05-04-2015

Part List ID  
SW800098

115

Pos	Part no.	Qty	Description
1	56507424	1	MAIN BROOM PROEX-WIRE
2	56507340	1	MAIN BROOM PROEX-WIRE CHEVRON
3	56507342	1	MAIN BROOM PROEX-WIRE-12 ROW
4	56507345	1	MAIN BROOM NYLON
6	56507346	1	MAIN BROOM PROEX
7	56507344	1	MAIN BROOM POLYPRO-WIRE-12 ROW
8	56507343	1	MAIN BROOM POLYPROPYLENE
9	56507350	1	SIDE BROOM POLYPROPYLENE
10	56507351	1	SIDE BROOM NYLON
11	56507352	1	SIDE BROOM FLAT WIRE
12	56508498	1	SIDE BROOM POLY 41 DEGREES
13	56508499	1	SIDE BROOM NYLON 41 DEGREES

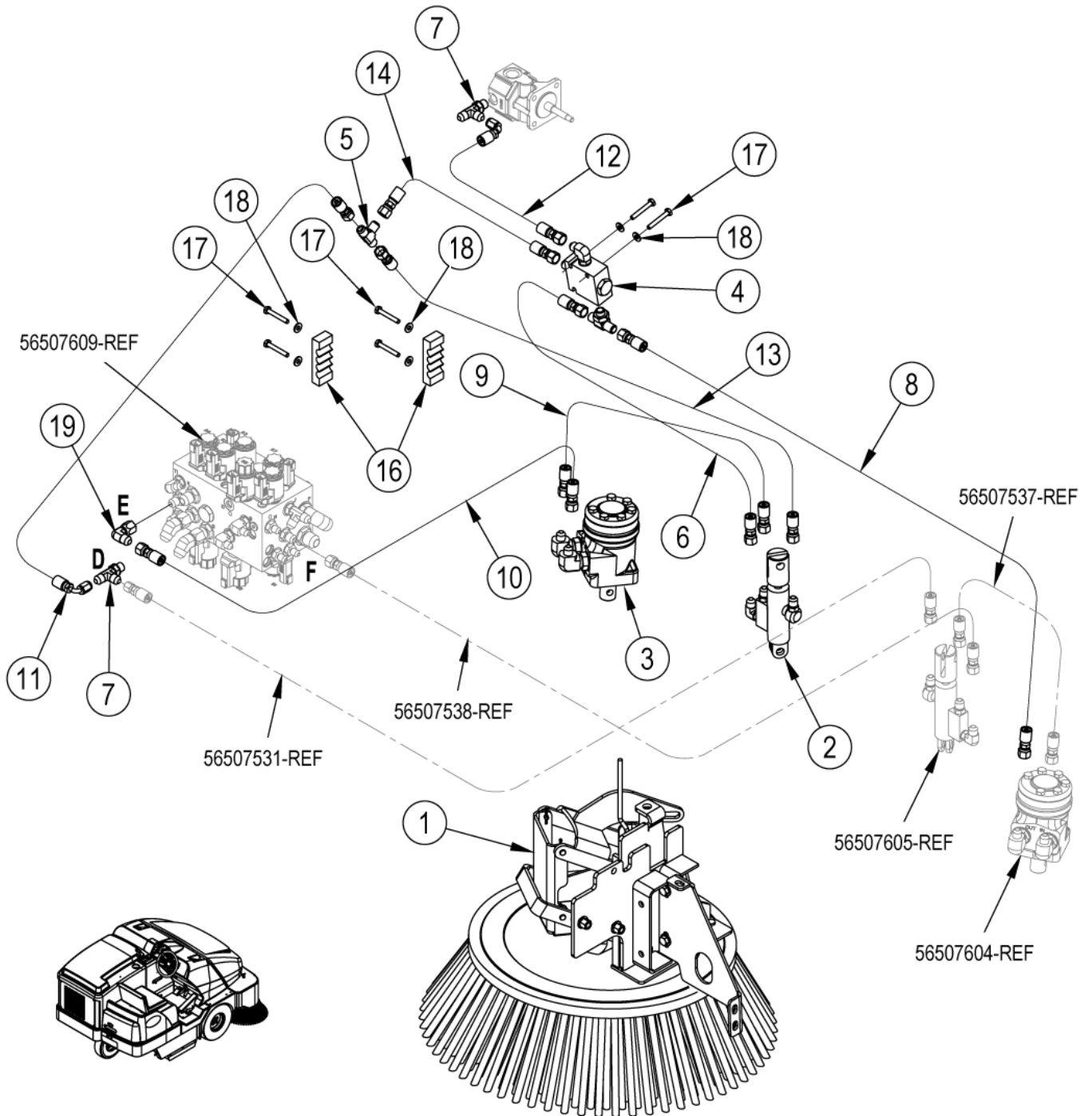
# LEFT HAND SIDE BROOM OPTION-1

SW8000

05-04-2015

Part List ID  
SW8000100

116



# LEFT HAND SIDE BROOM OPTION-1

SW8000

05-04-2015

Part List ID  
SW8000100

117

Pos	Part no.	Qty	Description	
1	56507026	1	LEFT HAND SIDE BROOM OPTION	See Left Hand Side Broom Option-2
2	56507202	1	CYLINDER SIDE BROOM LEFT	
2	56507367	1	LEFT SIDE BROOM CYLINDER ASSY	
2	56900286	1	ELBOW 90 DEG E00003	
2	56900370	2	CONNECTOR O RING	
3	56507064	1	MOTOR SIDE BROOM	
3	56507604	1	SIDE BROOM MOTOR ASSEMBLY	
3	56507619	1	SEAL KIT FOR SIDE BROOM MOTOR	
3	56900113	2	ELBOW 90 DEG.O/R	
4	56109780	1	VALVE PO CHECK	
4	56109781	1	VALVE ASSY	
4	56900003	1	CONNECTOR O/R 6 E00001	
4	56900103	1	ELBOW 90 DEG O/R 6 E00003	
4	56900353	1	TEE BRANCH O RING E00006	
5	56900443	1	TEE E00014	
6	56508305	1	HOSE HYDRAULIC	
7	56900201	2	TEE RUN O/R 4 E00005	
8	56507356	1	HOSE HYDRAULIC	
9	56507537	1	HOSE HYDRAULIC	
10	56507538	1	HOSE HYDRAULIC	
11	56507788	1	HOSE HYDRAULIC	
12	56508308	1	HOSE HYDRAULIC	
13	56508306	1	HOSE HYDRAULIC	
14	56508307	1	HOSE HYDRAULIC	
15	56477613	3	CABLE TIE E00549 RE409S	
16	56507922	1	HOSE CLAMP HYDRAULIC	
17	56001967	6	SCR HEX 1/4 20 X 1.75	
18	56002098	6	WSH FLT SAE 1/4	
19	56900303	1	ELBOW 90D W/NUT 6C6X S E00007	

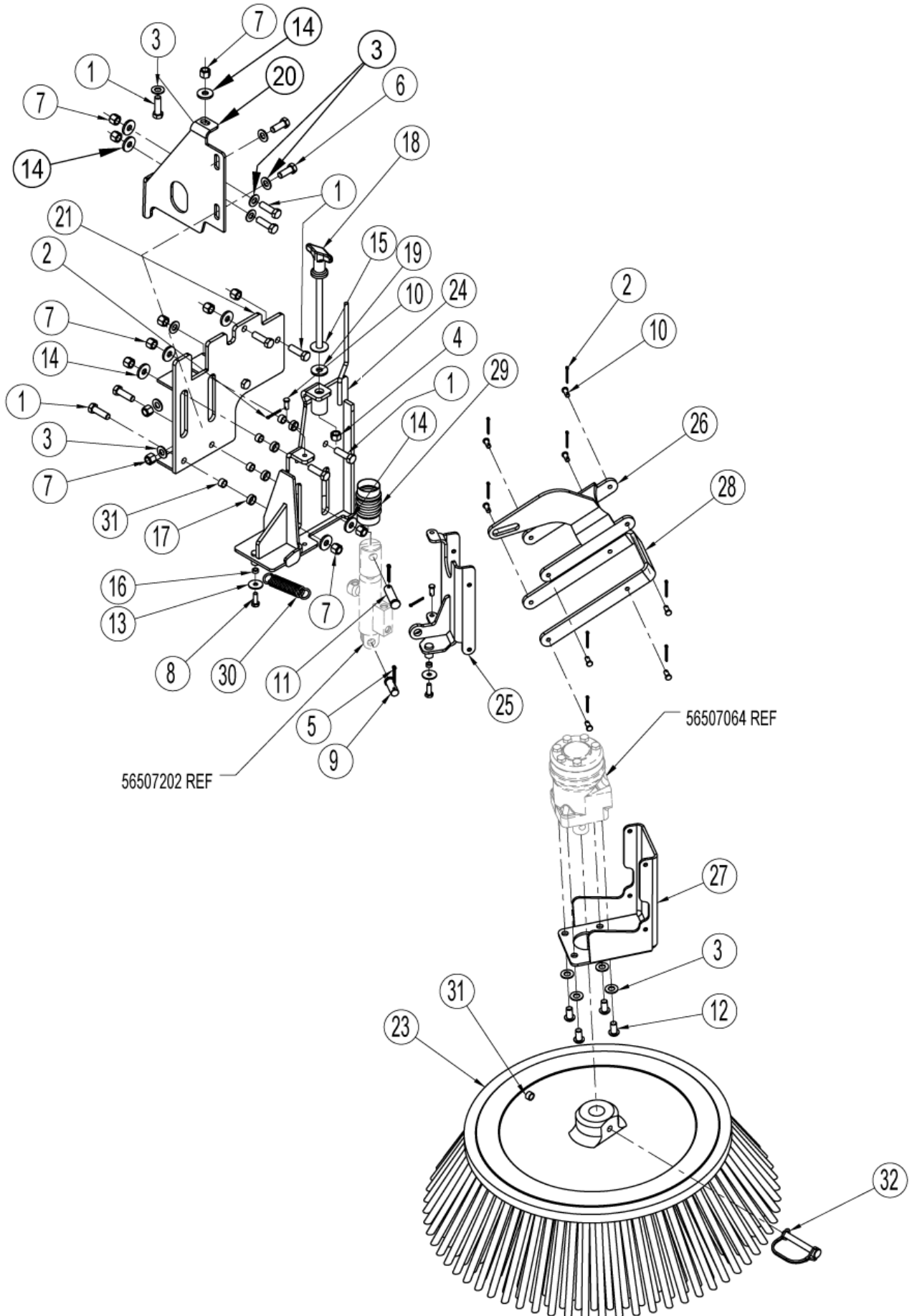
# LEFT HAND SIDE BROOM OPTION-2

SW8000

05-04-2015

Part List ID  
SW8000102

118





# LEFT HAND SIDE BROOM OPTION-2

SW8000

05-04-2015

Part List ID  
SW8000102

119

Pos	Part no.	Qty	Description
1	56001858	10	SCR HEX 3/8 16 X 1.25
2	56003530	10	PIN COT HAIR .059 X .375
3	56002063	9	WSH FLT SAE 3/8
4	56002123	1	NUT HEX MACHINE 3/8 16
5	56003120	2	PIN COT HAIR.093XDIA .25 .50
6	56002663	2	SCR HEX 3/8-16 X 1.00
7	56002769	12	NUT HEX NYL LOC 3/8-16
8	56002948	2	SCR HEX LOC 1/4 20 X 0.75
9	56003514	1	PIN CLEVIS .500 X 1.25
10	56003727	10	PIN CLEVIS .250 X .625
11	56003728	1	PIN CLEVIS .500 X 1.75
12	56003729	4	SCR SOC HD BUT LOC 3/8-16X.75
13	56009002	2	WASHER FLAT .266X.906X.060
14	56009107	8	WSH FLT SS .378/.373X1.00X.075
15	56151068	1	WSH FLT FIBRE ..406G31E
16	56163872	2	BUSHING .25X.37X.16PM6H
17	56365030	4	BUSHING CA334D
18	56413576	1	KNOB
19	56413599	1	WASHER RUBBER
20	56507122	1	BRACKET
21	56507150	1	BRACKET
23	56508498	1	SIDE BROOM POLY 41 DEGREES
24	56507625	1	SIDE BROOM MOUNTING BRACKET
25	56507628	1	SIDE BROOM PIVOT BRACKET
26	56507629	1	SIDE BROOM LINKAGE WELDMENT
27	56507630	1	SIDE BROOM MOTOR MOUNT
28	56507633	1	SIDE BROOM LINKAGE
29	56507634	1	SIDE BROOM CYCLINDER BELLOWS
30	56507707	1	SPRING SIDE BROOM
31	56508363	4	BUSHING .377 X .49 X .30
32	56508392	1	PIN T-LOCK

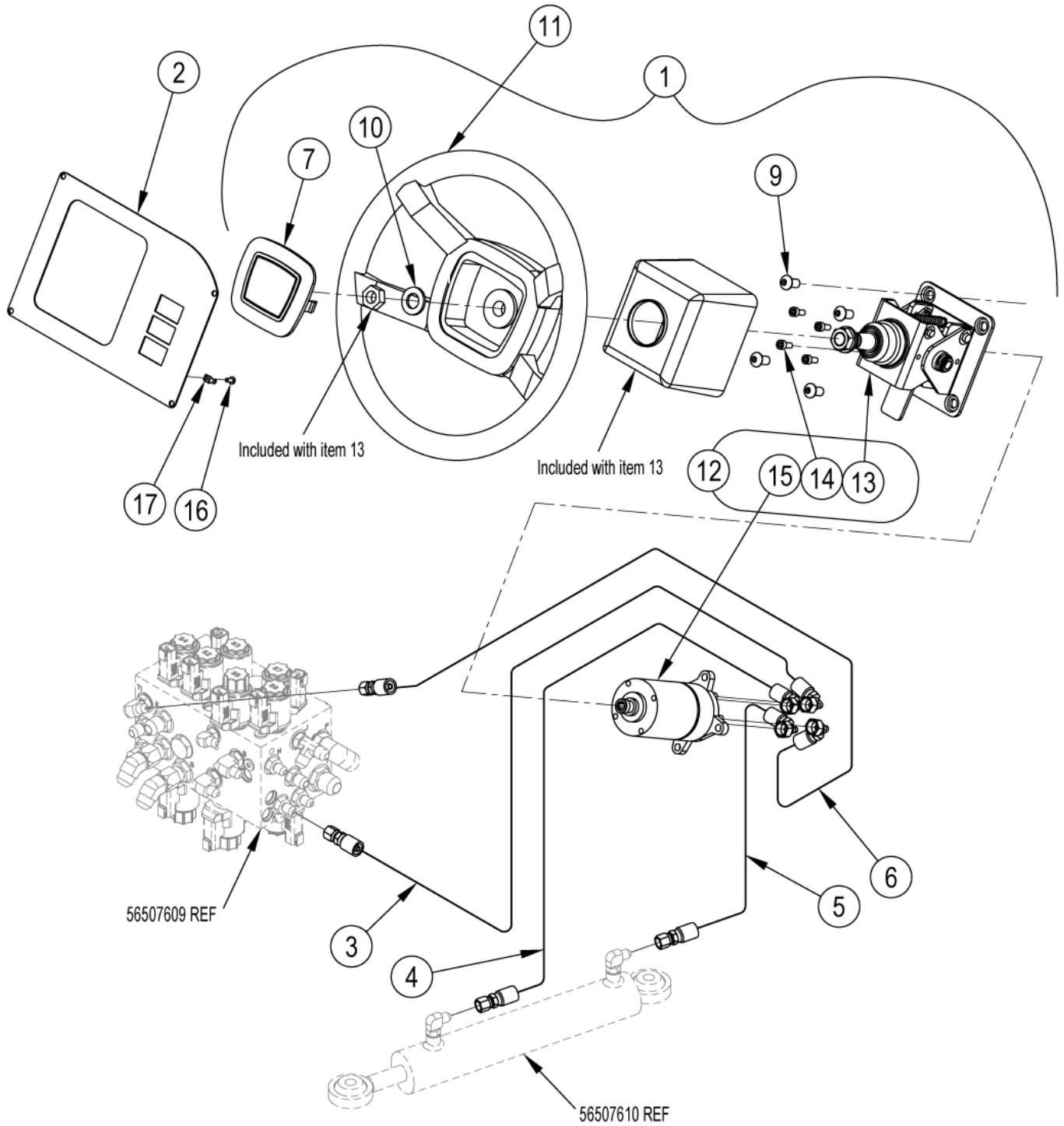
# TILT STEERING OPTION

SW8000

05-04-2015

Part List ID  
SW8000104

120



# TILT STEERING OPTION

SW8000

05-04-2015

Part List ID  
SW8000104

121

Pos	Part no.	Qty	Description	
0	56507228	1	TILT STEERING OPTION	(includes items 1-6, 16-17 / Standard on all model)
1	56507239	1	TILT STEERING ASSEMBLY	Option (includes items 7-12)
2	56107699	1	GUARD	
3	56507360	1	HOSE HYDRAULIC	
4	56507361	1	HOSE HYDRAULIC	
5	56507362	1	HOSE HYDRAULIC	
6	56507363	1	HOSE HYDRAULIC	
7	7-16-07428	1	COVER-STEERING WHEEL	
9	56003729	4	SCR SOC HD BUT LOC 3/8-16X.75	
10	56009218	1	WASHER FLAT .688 X 1.25 X 0	
11	56418460	1	STEERING WHEEL	
12	56508224	1	STEERING UNIT ASSEMBLY	(includes items 13-15)
13	7-70-05207	1	SHAFT COLUMN TILT	
14	56003425	4	SCR SOC SS M6-1X14MM	
15	56508096	1	STEERING CONTROL UNIT	
16	56001818	1	SCR PAN PHIL 8 32 X .38	
17	56508923	1	TAB-QUICK CONNECT .187 X 8	

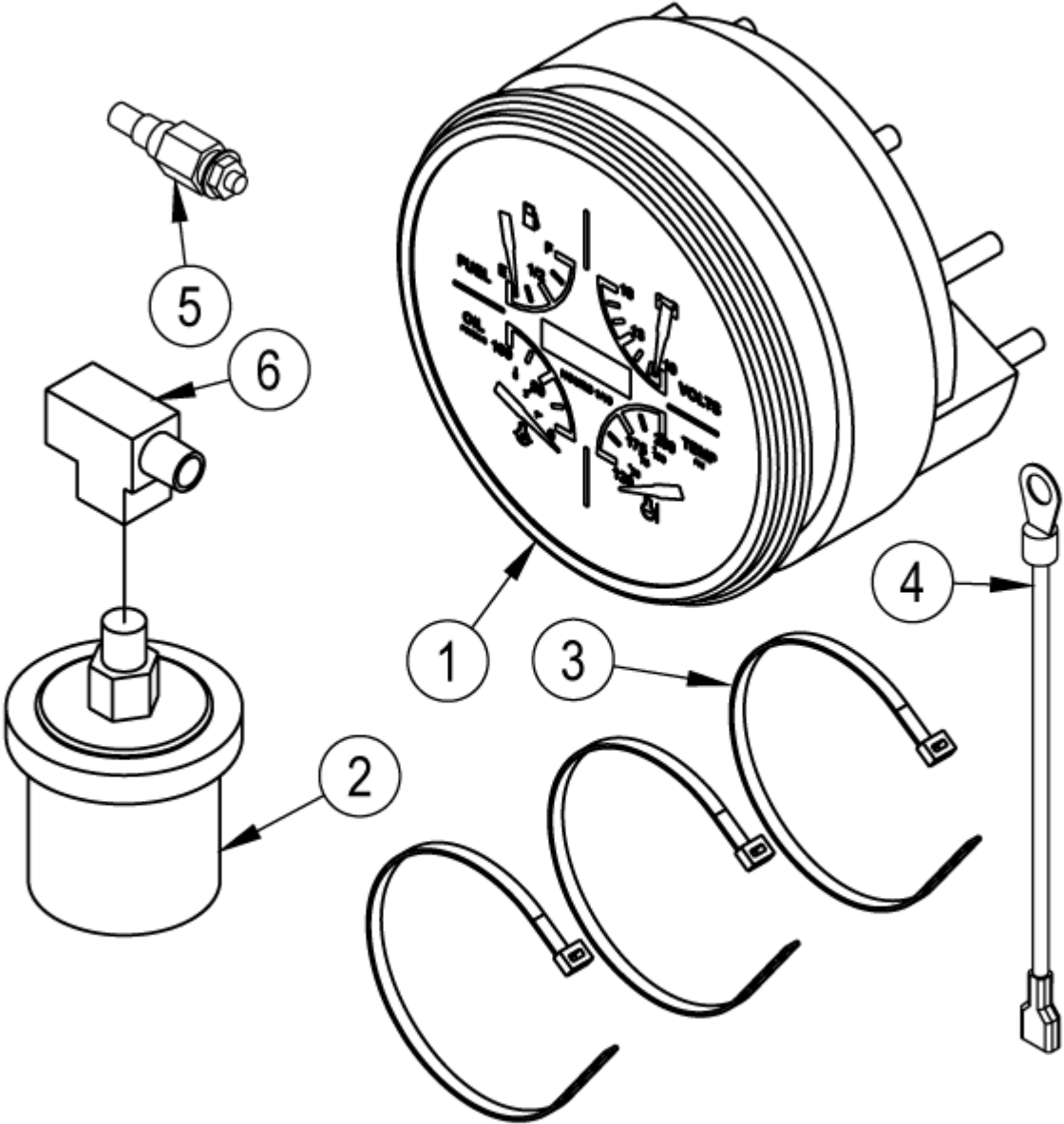
# GAUGE KIT-DIESEL

SW8000

05-04-2015

Part List ID  
SW8000106

122



# GAUGE KIT-DIESEL

SW8000

05-04-2015

Part List ID  
SW8000106

123

Pos	Part no.	Qty	Description	
0	56383885	1	KUBOTA DIESEL GAUGE KIT-BSPP	NOTE 1 / (includes items 1-6 / Standard on all Die
0	56508722	1	KUBOTA DIESEL GUAGE KIT	NOTE 2 / (includes items 1-6 / Standard on all Die
1	56304569	1	GAUGE 4 IN 1	
2	56305619	1	SENDER PRESSURE	
3	56478523	3	CABLE TIE E00549	
4	56507679	1	WIRE ASM YEL/BLK 18-11	
5	56305873	1	SENDER TEMPERATURE	NOTE 2 / (KIT 56508722)
5	56383884	1	SENDER-TEMPERATURE-BSPP	NOTE 1 / (KIT 56383885)
6	2-00-04982	1	FITTING 1/8 NPT STR	

NOTE 1: All Diesel machines built after serial number 1000053695 needing to replace the Temperature Sender 56383884 or a dealer installed Diesel Gauge Kit, use Diesel Gauge Kit - BSPP 56383885. All Diesel machines getting a first time installation of a Diesel Gauge Kit regardless of the serial number, use Diesel Gauge Kit - BSPP 56383885.

NOTE 2: All Diesel machines built before serial number 1000053696 with factory installed temperature gauge

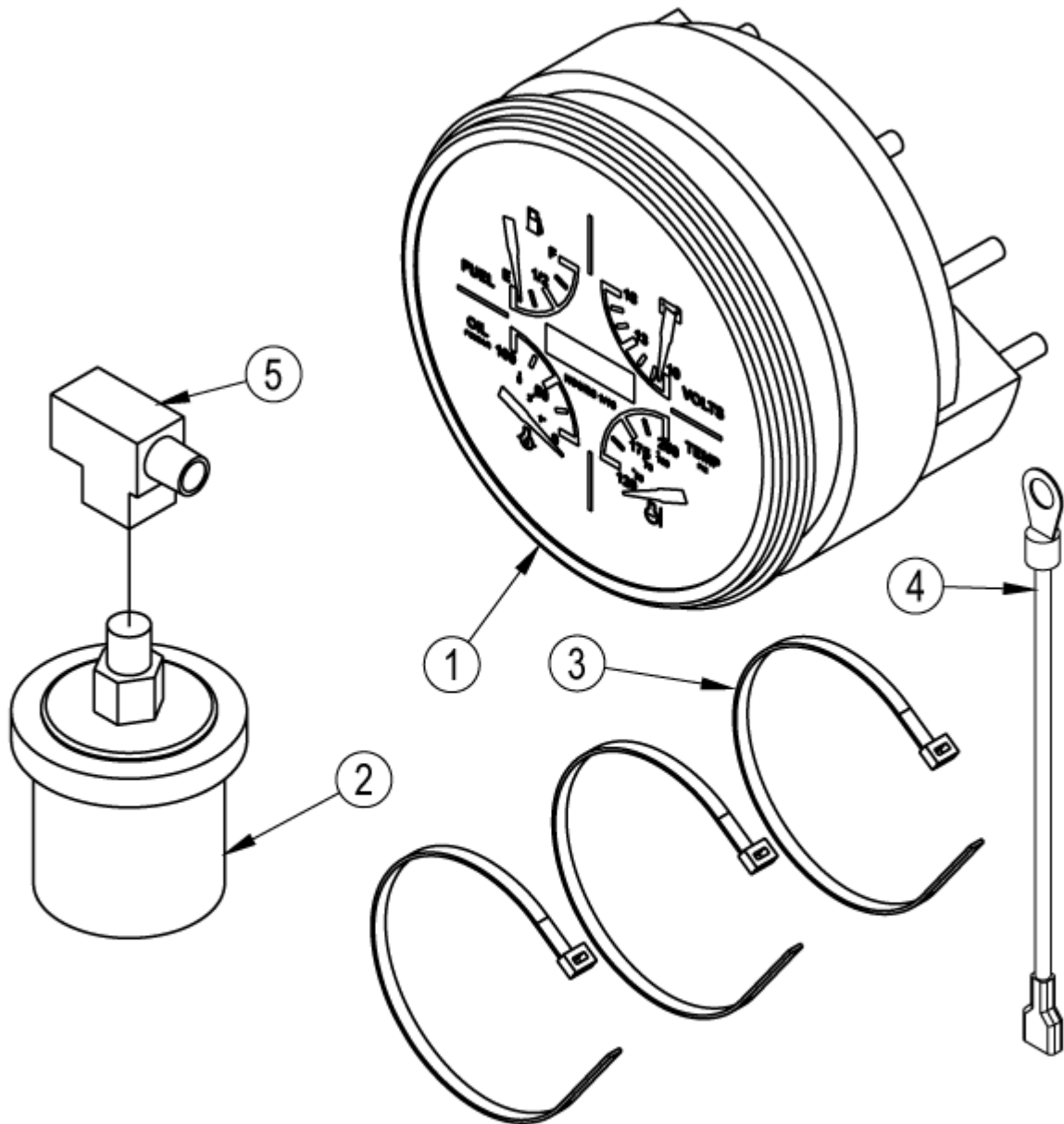
# GAUGE KIT-PETROL & LPG

SW8000

05-04-2015

Part List ID  
SW8000108

124



# GAUGE KIT-PETROL & LPG

SW8000

05-04-2015

Part List ID  
SW8000108

125

Pos	Part no.	Qty	Description	
0	56107673	1	KUBOTA LPG GAUGE KIT-4 CYL	(includes items 1-5 / Standard on all LPG models)
0	56107674	1	KUBOTA GASOLINE GAUGE KIT-4CYL	(includes items 1-5 / Standard on all Petrol model)
1	56304569	1	GAUGE 4 IN 1	(part of 56107674)
1	56304589	1	GAUGE 3 IN 1	(part of 56107673)
2	56305619	1	SENDER PRESSURE	
3	56478523	3	CABLE TIE E00549	
4	56507679	1	WIRE ASM YEL/BLK 18-11	
5	56107675	1	TEE STREET-SPECIAL	

# AMBER STROBE NO OHG KIT [STANDARD ON NON C/

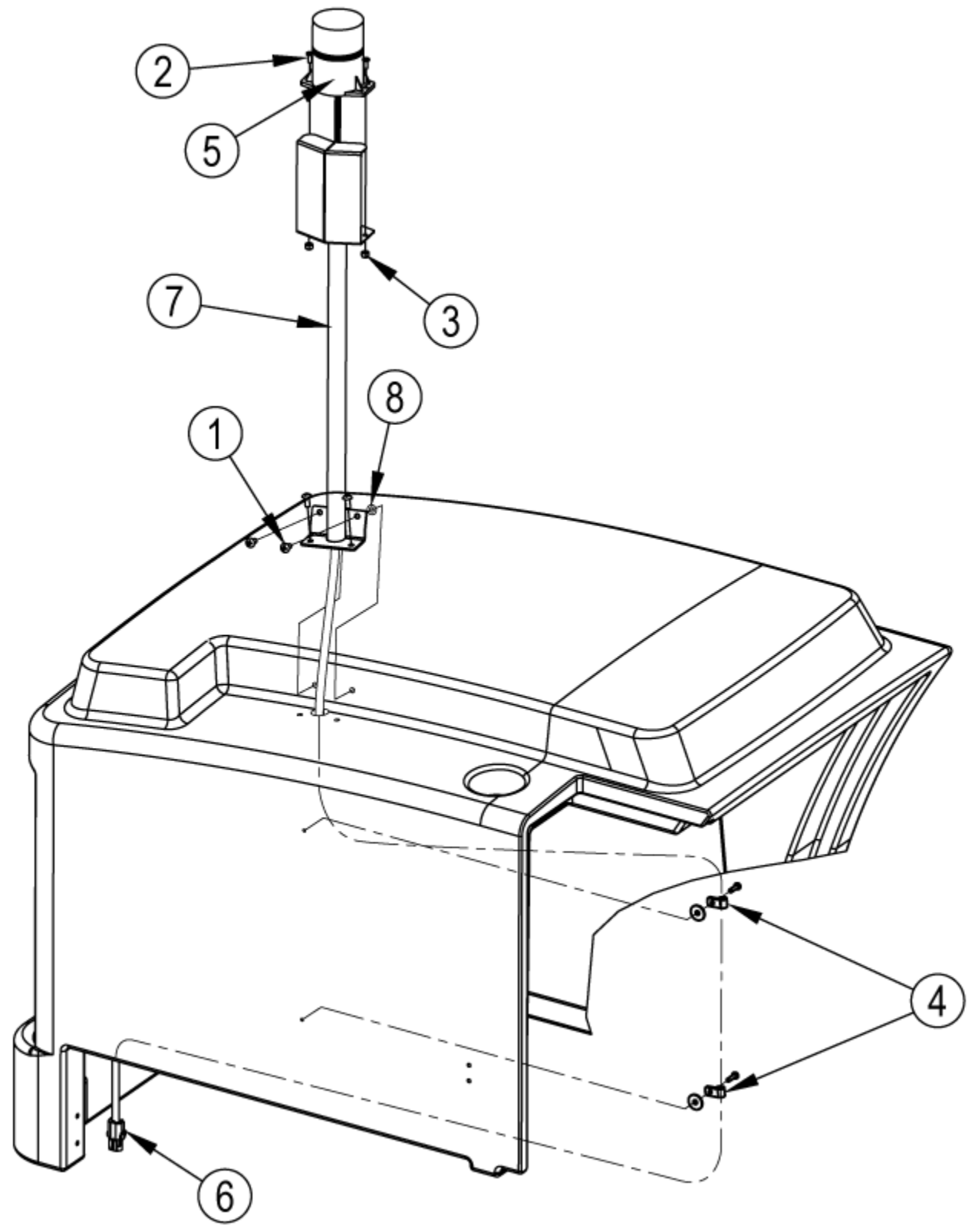
SW8000

05-04-2015

Part List ID

SW8000110

126





# AMBER STROBE NO OHG KIT [STANDARD ON NON C/

SW8000

05-04-2015

Part List ID

SW8000110

127

Pos	Part no.	Qty	Description
1	56009120	6	SCR PANPHIL SS TYPEB1/4-14X.62
2	56001993	2	SCREW 10-24 X 0.5 ZINC PL
3	56002768	2	NUT HEX NYL LOC 10-24
4	56172017	4	P-CLIP E00129
5	56305223	1	BEACON WARNING
6	56508925	1	HARNESS BEACON
7	56507835	1	WELDMENT BEACON MTG
8	56002098	2	WSH FLT SAE 1/4

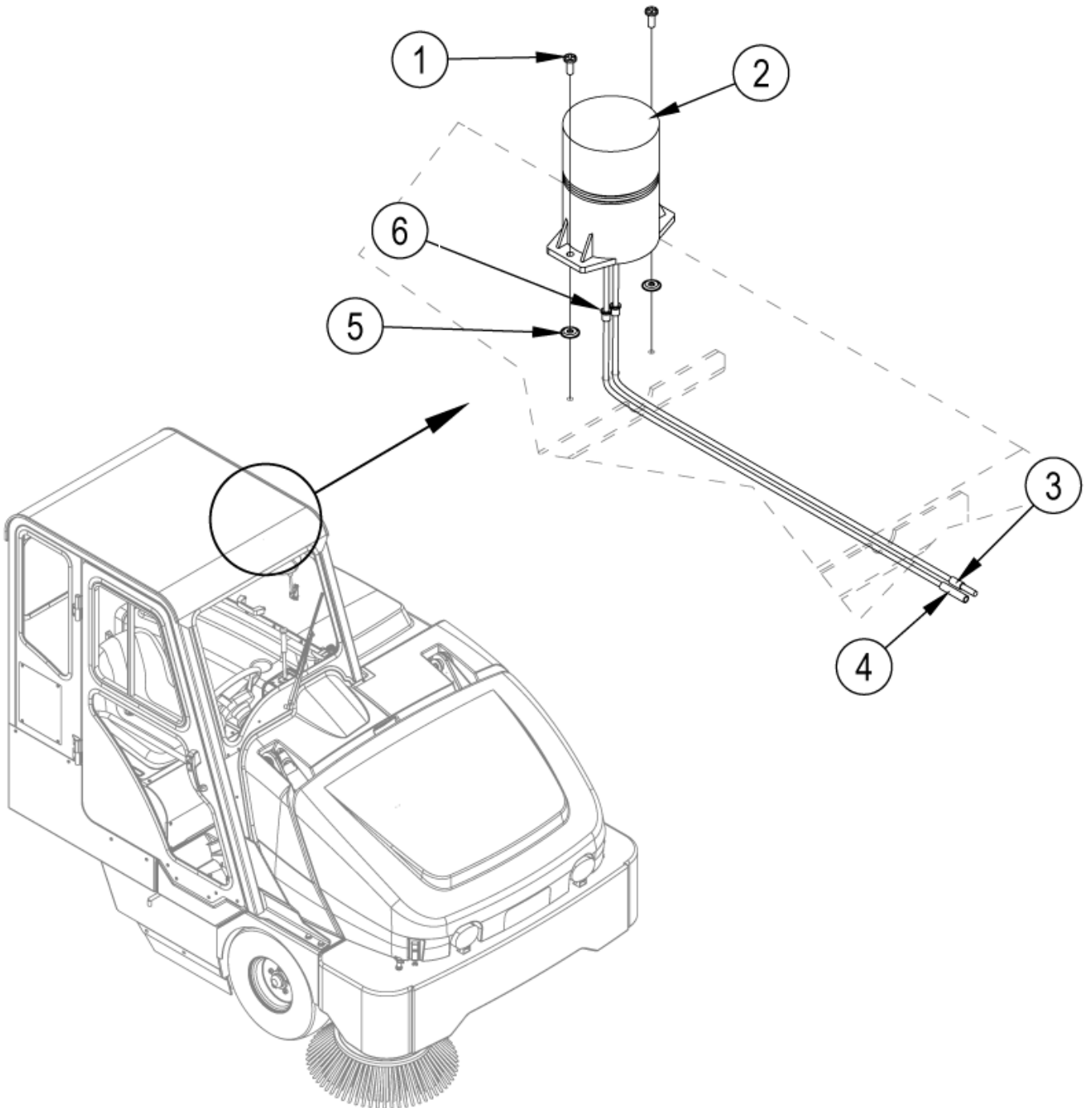
# AMBER STROBE CAB [STANDARD ON CAB MOD

SW8000

05-04-2015

Part List ID  
SW8000112

128



# AMBER STROBE CAB [STANDARD ON CAB MOD

SW8000

05-04-2015

Part List ID SW8000112

129

Pos	Part no.	Qty	Description
1	56009029	2	SCR PANPHIL THD FORM 10-24X.50
2	56305223	1	BEACON WARNING
3	2-00-04551	1	TERMINAL-BULLET MALE
4	2-00-04584	1	TERMINAL-BULLET FEMALE
5	2-00-01974	2	WSHR-SEALING-SST-SPCL
6	2-00-04200	2	BUSHING-SNAP

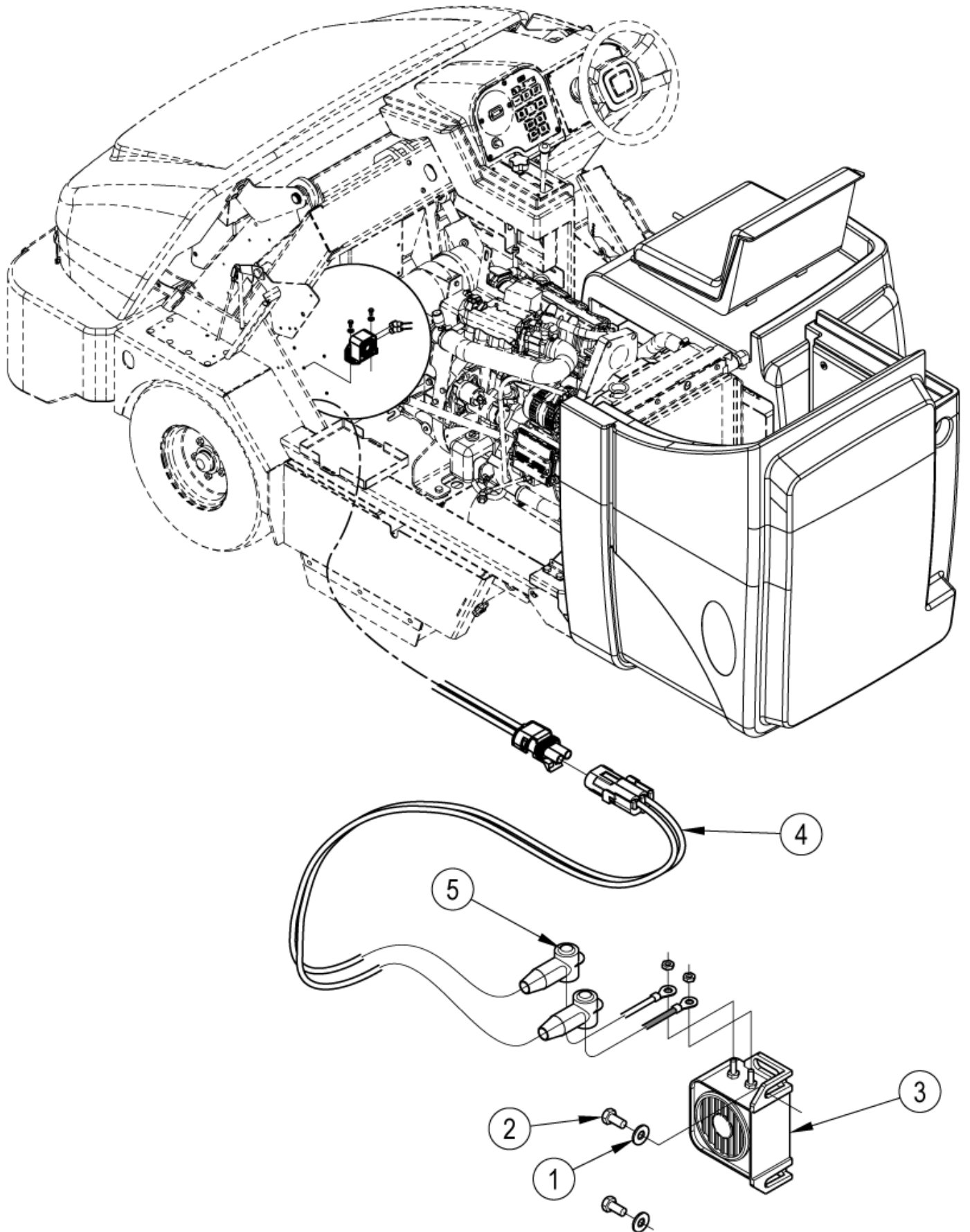
# BACK UP ALARM KIT (STANDARD ON ALL MODI

SW8000

05-04-2015

Part List ID  
SW8000114

130



# BACK UP ALARM KIT (STANDARD ON ALL MOD

SW8000

05-04-2015

Part List ID SW8000114

131

Pos	Part no.	Qty	Description
1	56002098	2	WSH FLT SAE 1/4
2	56009033	2	SCR HEX THD FORM 1/4 20X.50
3	56409232	1	BACK-UP ALARM
4	56409495	1	WIRE ASSY. PIGTAIL
5	56409538	2	TERMINAL INSULATOR

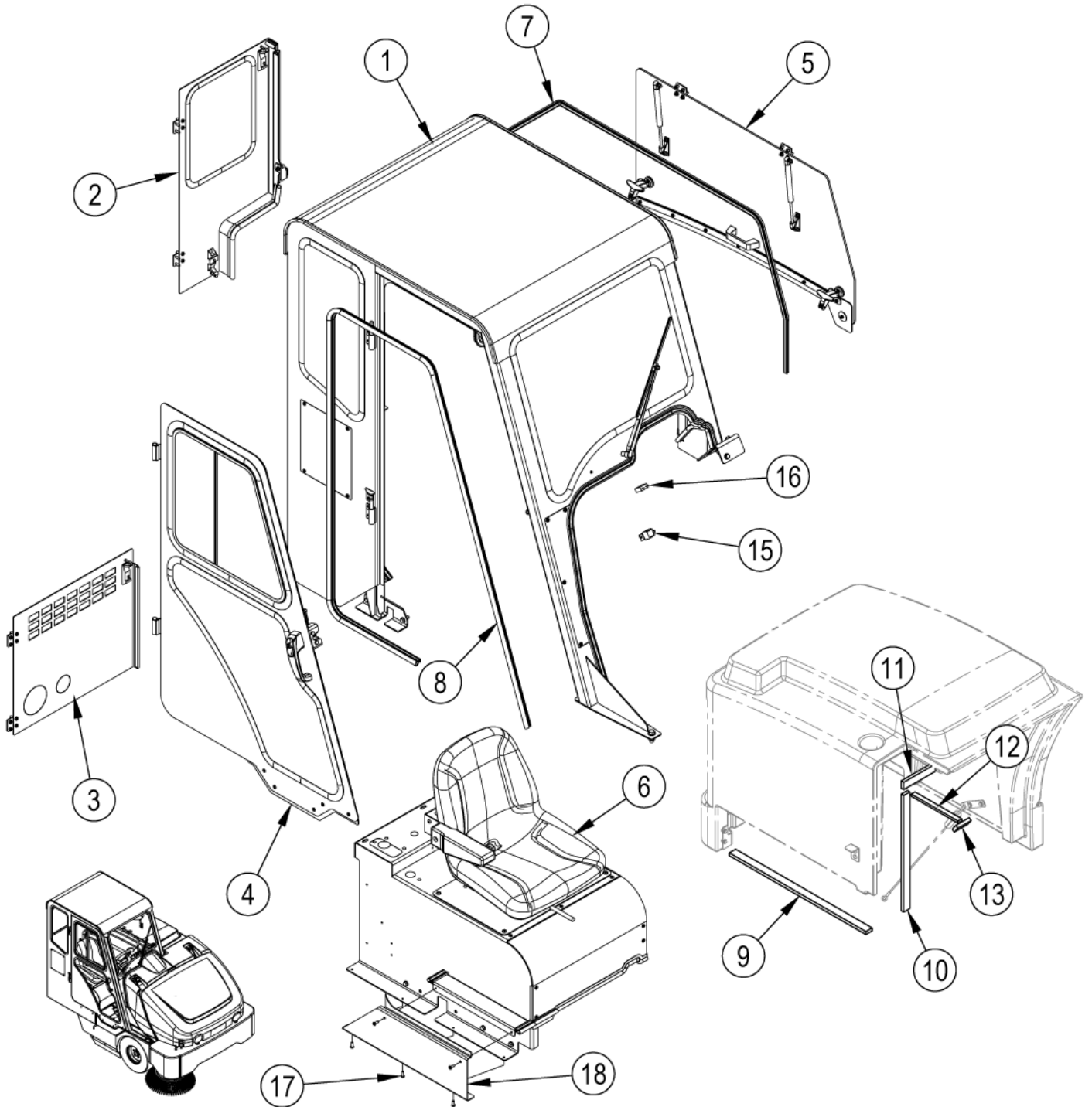
# CAB SYSTEM

SW8000

05-04-2015

Part List ID  
SW8000116

132



# CAB SYSTEM

SW8000

05-04-2015

Part List ID  
SW8000116

133

Pos	Part no.	Qty	Description
1	56508022	1	ASSY CAB FRAME
2	56508027	1	ASSY ACCESS DOOR
3	56508030	1	ASSY COVER
4	56508531	1	DOOR ASSY
5	56508536	1	ASSY WINDOW
6	56508586	1	SEAT ASSY CAB
7	56508590	1	BULB SEAL
8	56508599	1	BULB SEAL
9	56508617	1	GASKET
10	56508618	1	GASKET
11	56508619	1	GASKET
12	56508620	1	GASKET
13	56508621	1	GASKET
14	56508734	1	HARNESS CAB
15	56418387	1	RELAY SPDT
16	56413822	1	CIRCUIT BREAKER 20 AMP
17	56009126	5	SCR PANPHILTHD FORM 1/4-20X.75
18	56508864	1	PANEL COVER

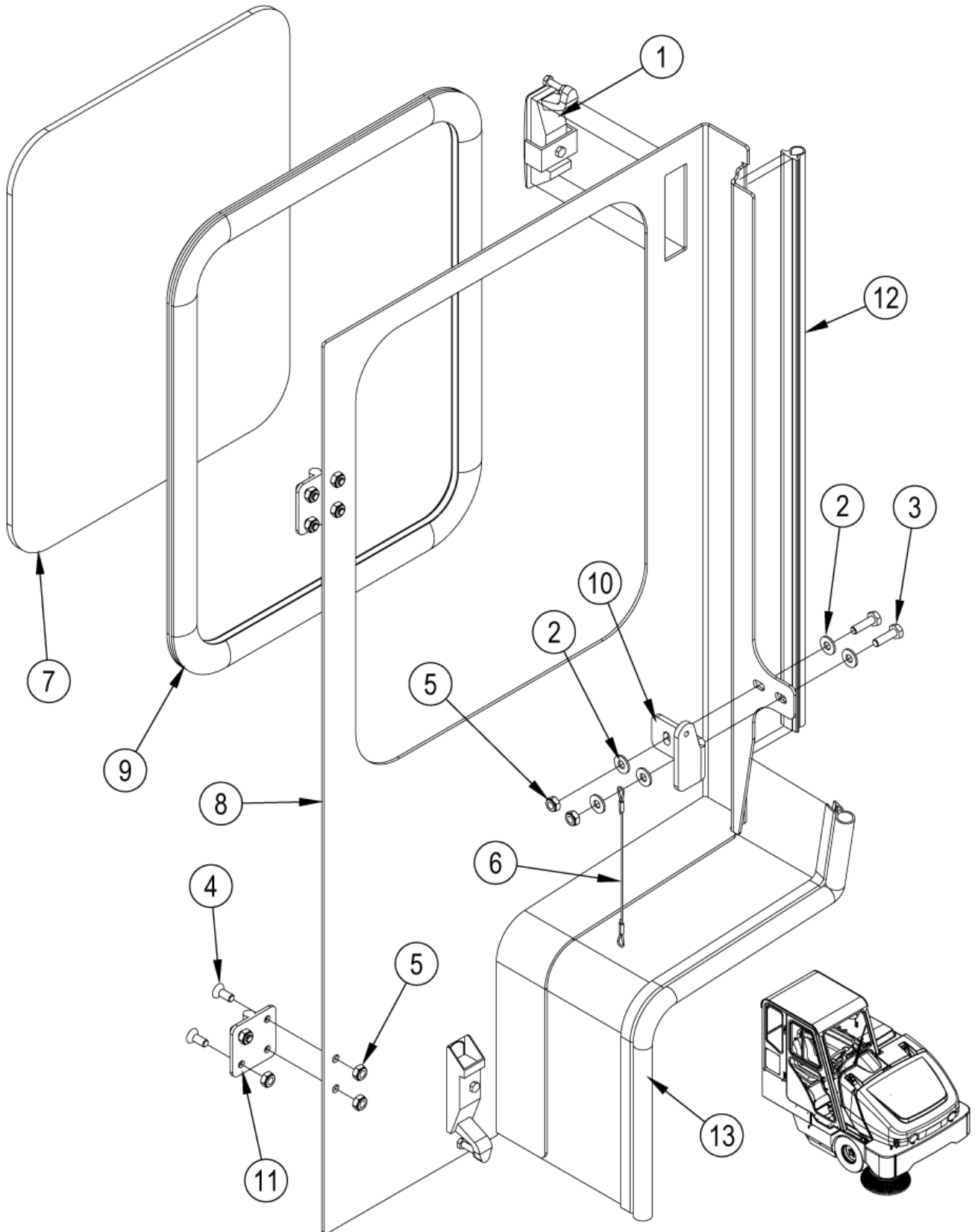
# CAB SYSTEM - ACCESS DOOR ASSEMBLY

SW8000

05-04-2015

Part List ID  
SW8000118

134





# CAB SYSTEM - ACCESS DOOR ASSEMBLY

SW8000

05-04-2015

Part List ID  
SW8000118

135

Pos	Part no.	Qty	Description
0	56508027	1	ASSY ACCESS DOOR
1	56418471	2	DOOR LATCH
2	56002098	5	WSH FLT SAE 1/4
3	56001821	2	SCR HEX 1/4 20 X .88
4	56002760	8	SCR FLT PHIL 1/4-20 X .62
5	56002840	10	NUT HEX NYL LOC-THIN 1/4-20
6	56410254	1	WIRE ROPE ASSY 6.0
7	56508045	1	WINDOW GLASS
8	56508135	1	WELDT REAR DOOR
9	56508263	1	WEATHERSTRIP WINDOW
10	56508583	1	BRKT WINDOW LATCH
11	56508589	2	HINGE DOOR
12	56508591	1	BULB SEAL
13	56508593	1	BULB SEAL

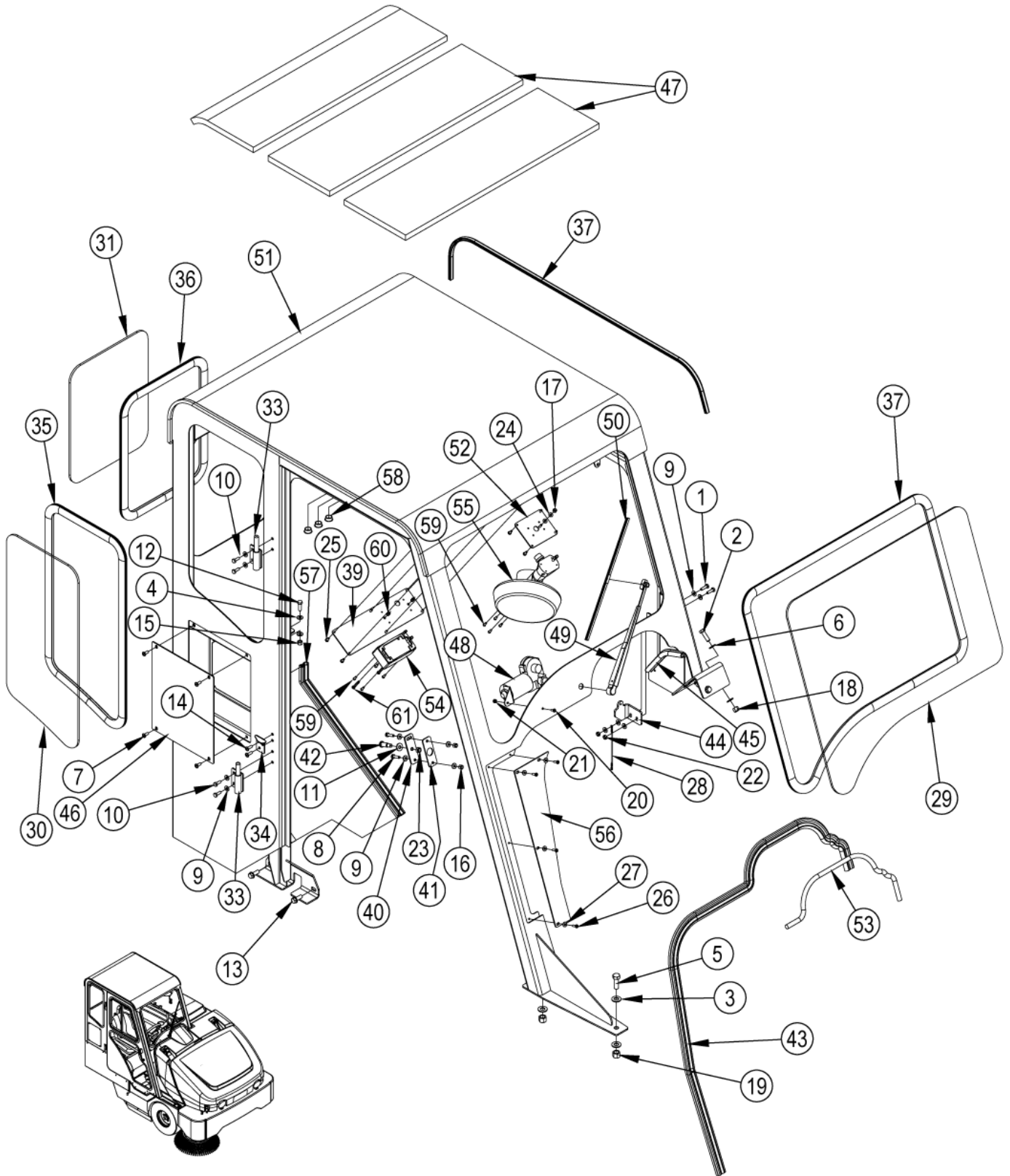
# CAB SYSTEM - CAB FRAME ASSEMBLY

SW8000

05-04-2015

Part List ID  
SW8000120

136



# CAB SYSTEM - CAB FRAME ASSEMBLY

SW8000

05-04-2015

Part List ID  
SW8000120

137

Pos	Part no.	Qty	Description
0	56508022	1	ASSY CAB FRAME
1	56001821	2	SCR HEX 1/4 20 X .88
2	56001858	3	SCR HEX 3/8 16 X 1.25
3	56001879	3	WSH FLT SAE 1/2
4	56001939	4	WSH FLT SAE 5/16
5	56001968	1	SCR HEX 1/2 13 X 1.50
6	56002063	6	WSH FLT SAE 3/8
7	56002066	4	SCR PAN PHIL 1/4-20 X .62
8	56002093	2	SCR HEX 1/4-20 X 1.00
9	56002098	13	WSH FLT SAE 1/4
10	56002155	4	SCR HEX 1/4-20 X .75
11	56002220	1	WSH FLT STD 5/16
12	56002221	2	SCR HEX 5/16-18 X 1.00
13	56002256	2	SCR HEX TYPE1 3/8-16X 1.00
14	56002507	2	SCR PAN PHIL 1/4-20 X .75
15	56002701	2	NUT HEX NYL LOC 5/16-18
16	56002708	2	NUT HEX NYL LOC 1/4-20
17	56002768	1	NUT HEX NYL LOC 10-24
18	56002769	3	NUT HEX NYL LOC 3/8-16
19	56002770	2	NUT HEX NYL LOC 1/2-13
20	56002831	1	SCR PAN PHIL-BLK 10-24 X .50
21	56002832	1	NUT HEX NYL LOC-THIN 10-24
22	56002840	2	NUT HEX NYL LOC-THIN 1/4-20
23	56002841	1	NUT HEX NYL LOC-THIN 3/8-16
24	56009011	2	WSH INT SHPRF 10
25	56009082	10	SCR PANPHILTHD FORMBLK10-24X.5
26	56009100	4	SCR PANPHILTHD BLK 10-24X.62
27	56209261	4	WASHER SEALING
28	56410254	1	WIRE ROPE ASSY 6.0
29	56508041	1	WINDSHIELD GLASS
30	56508044	1	WINDOW GLASS
31	56508045	1	WINDOW GLASS
33	56508140	2	WELDT HINGE
34	56508142	1	BRKT HINGE RETAINER
35	56508262	1	WEATHERSTRIP WINDOW
36	56508263	1	WEATHERSTRIP WINDOW
37	56508264	1	WEATHERSTRIP WINDSHIELD
38	56508534	2	EDGING RUBBER
39	56508575	1	PLATE DOME LIGHT
40	56508578	1	PLATE LATCH PIN
41	56508579	1	SHIM LATCH PIN
42	56508580	1	PIN LATCH
43	56508581	1	GASKET CONSOLE

# CAB SYSTEM - CAB FRAME ASSEMBLY

SW8000

05-04-2015

Part List ID  
SW8000120

138

Pos	Part no.	Qty	Description
44	56508582	1	BRKT WINDOW LATCH
45	56508600	1	BULB SEAL
46	56508624	1	W/D FILTER COVER
47	56508628	3	HEADLINER FOAM
48	56508636	1	WIPER MOTOR
49	56508637	1	WIPER ARM
50	56508638	1	WIPER BLADE
51	56508745	1	WELDT CAB FRAME
52	56508817	1	WELDT FAN MOUNT
53	56508818	1	GASKET ROUND
54	56508819	1	ASSY DOME LIGHT
55	56508820	1	ASSY DASH FAN
56	56508831	1	WINDOW SIDE BROOM
57	56508863	1	BULB SEAL
58	56900041	3	PLUG CAP E00046
59	2-00-01081	8	SCW-T/C PHRH 8-32 X .50 ZN
60	2-00-05324	2	THREADED INSERT 8-32
61	2-00-00090	2	SCW-PH.RHM 8-32 X 1.50 ZN

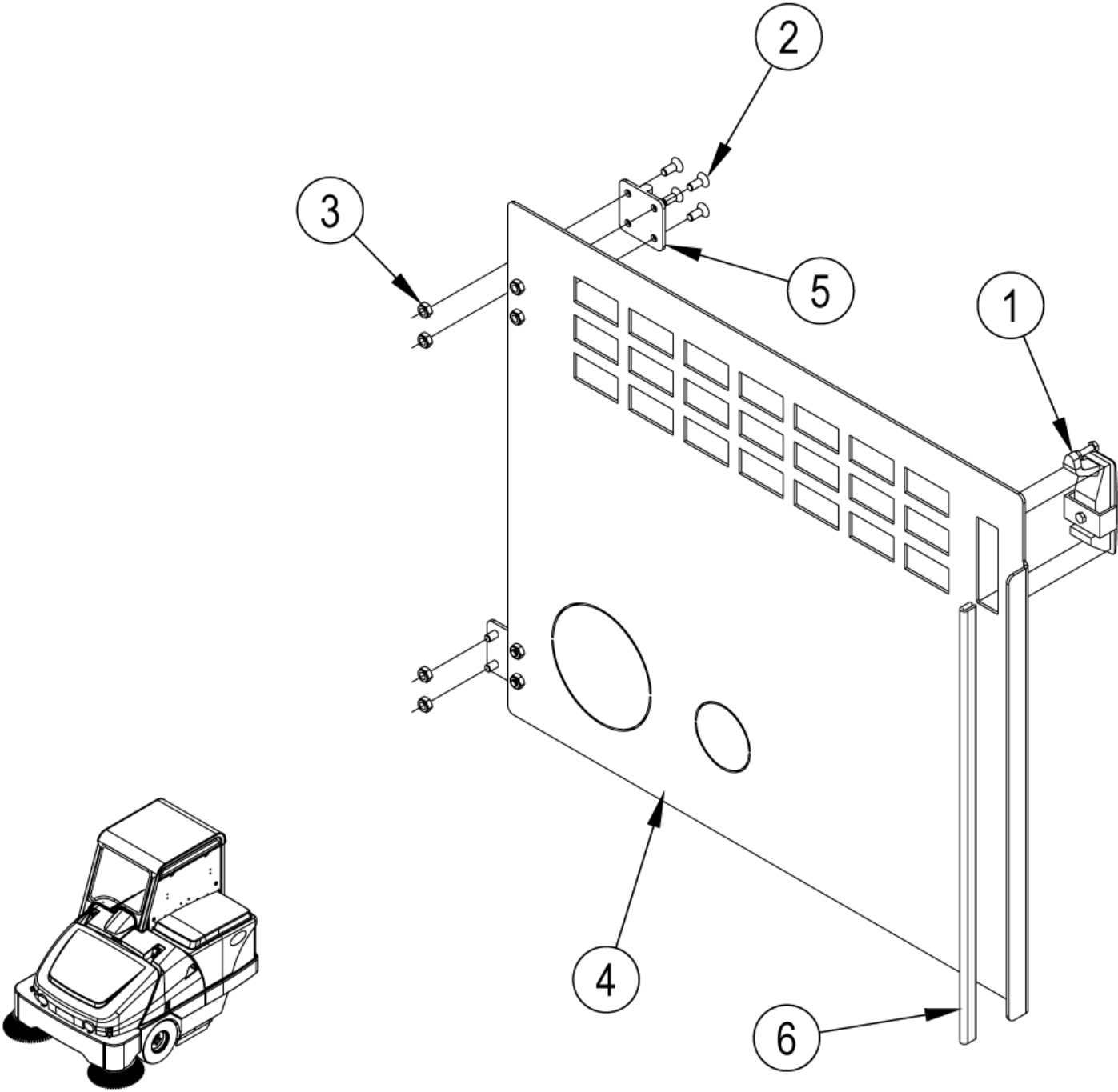
# CAB SYSTEM - COVER ASSEMBLY

SW8000

05-04-2015

Part List ID  
SW8000122

139



# CAB SYSTEM - COVER ASSEMBLY

SW8000

05-04-2015

Part List ID  
SW8000122

140

Pos	Part no.	Qty	Description
0	56508030	1	ASSY COVER
1	56418471	1	DOOR LATCH
2	56002760	8	SCR FLT PHIL 1/4-20 X .62
3	56002840	8	NUT HEX NYL LOC-THIN 1/4-20
4	56508291	1	DOOR ACCESS
5	56508589	2	HINGE DOOR
6	56508842	1	EDGING

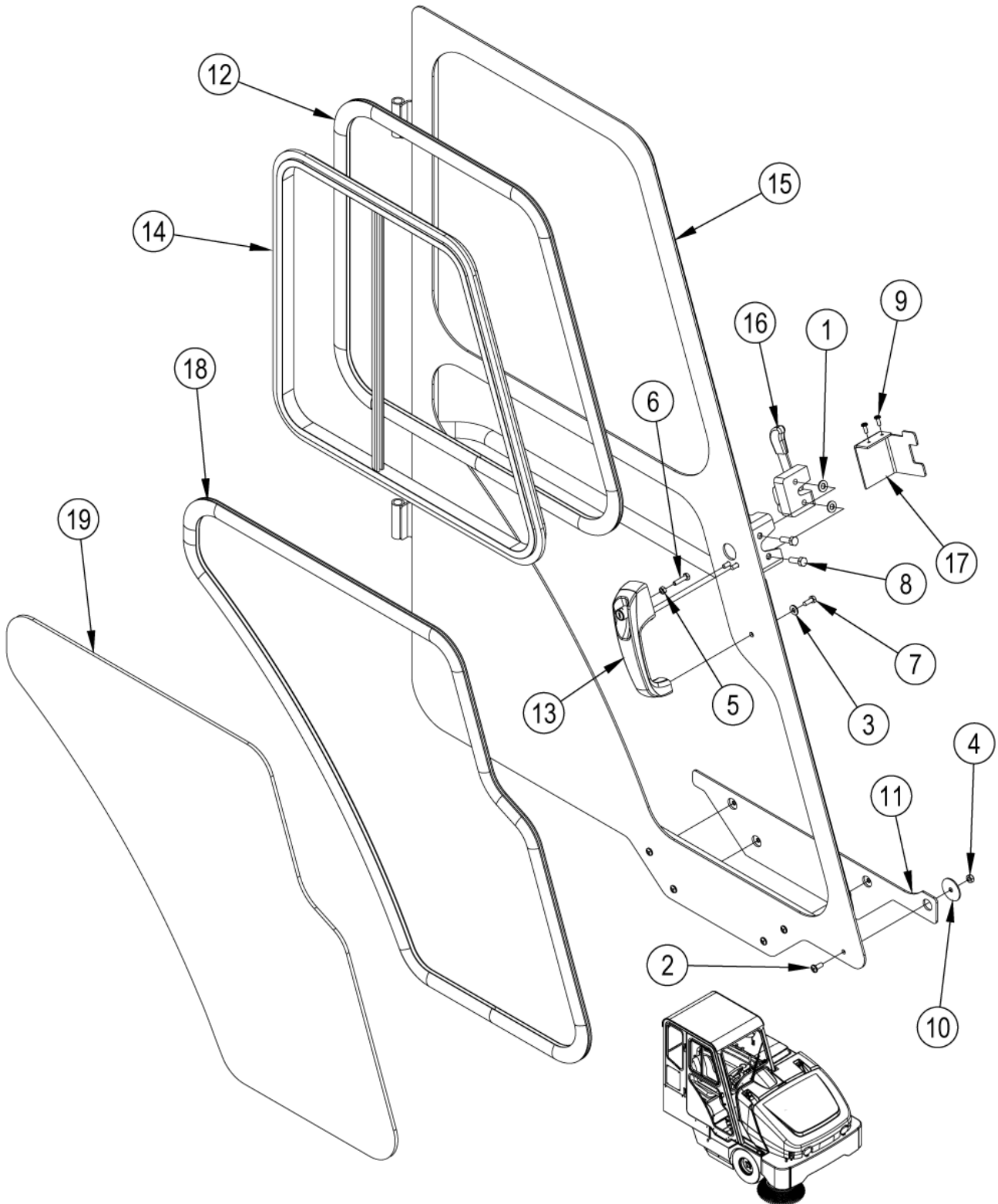
# CAB SYSTEM - DOOR ASSEMBLY

SW8000

05-04-2015

Part List ID  
SW8000124

141



# CAB SYSTEM - DOOR ASSEMBLY

SW8000

05-04-2015

Part List ID  
SW8000124

142

Pos	Part no.	Qty	Description
0	56508531	1	DOOR ASSY
1	56001939	2	WSH FLT SAE 5/16
2	56002066	5	SCR PAN PHIL 1/4-20 X .62
3	56002098	3	WSH FLT SAE 1/4
4	56002840	5	NUT HEX NYL LOC-THIN 1/4-20
5	56003350	1	NUT HEX M6
6	56003358	1	SCR HEX M6 X 25.0
7	56003441	3	SCR HEX LOC M6-1.00X16MM
8	56003477	2	SCR HX NYLOC SS M8-1.25 X 25MM
9	56009082	2	SCR PANPHILTHD FORMBLK10-24X.5
10	56009225	5	WASHER FENDER
11	56508112	1	SEAL DOOR
12	56508530	1	WEATHERSTRIP WINDOW
13	56508279	1	HANDLE DOOR
14	56508482	1	WINDOW SLIDER
15	56508518	1	FRAME DOOR
16	56508527	1	LATCH SINGLE ROTOR
17	56508528	1	COVER LATCH
18	56508532	1	WEATHERSTRIP WINDOW
19	56508533	1	WINDOW GLASS
NS	56508934	1	KEY-CAB



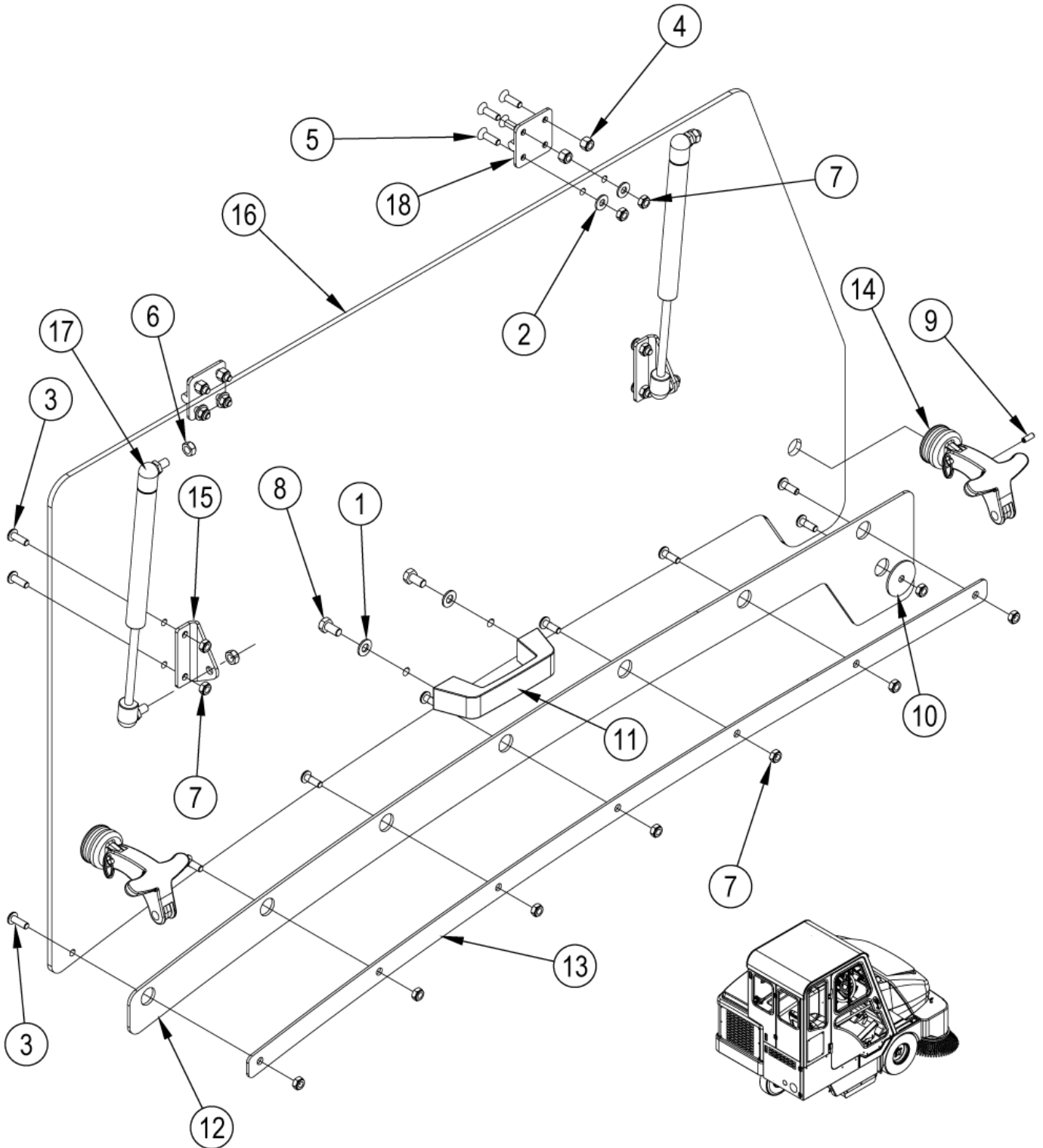
# CAB SYSTEM - WINDOW ASSEMBLY

SW8000

05-04-2015

Part List ID  
SW8000126

143



# CAB SYSTEM - WINDOW ASSEMBLY

SW8000

05-04-2015

Part List ID  
SW8000126

144

Pos	Part no.	Qty	Description
0	56508536	1	ASSY WINDOW
1	56001939	2	WSH FLT SAE 5/16
2	56002098	4	WSH FLT SAE 1/4
3	56002507	12	SCR PAN PHIL 1/4-20 X .75
4	56002708	4	NUT HEX NYL LOC 1/4-20
5	56002711	8	SCR FLT PHIL 1/4-20 X .88
6	56002826	4	NUT HEX NYL LOC-THIN 5/16-18
7	56002840	16	NUT HEX NYL LOC-THIN 1/4-20
8	56003178	2	SCR HEX THD TO HD M8-1.25X16MM
9	56003766	2	PIN SPRING .19X.50
10	56009225	1	WASHER FENDER
11	56508125	1	HANDLE WINDOW
12	56508126	1	SEAL WINDOW
13	56508132	1	CLAMP GASKET
14	56508283	2	LATCH WINDOW
15	56508284	2	BRACKET SPRING
16	56508539	1	WINDOW GLASS
17	56508584	2	GAS CYLINDER
18	56508589	2	HINGE DOOR

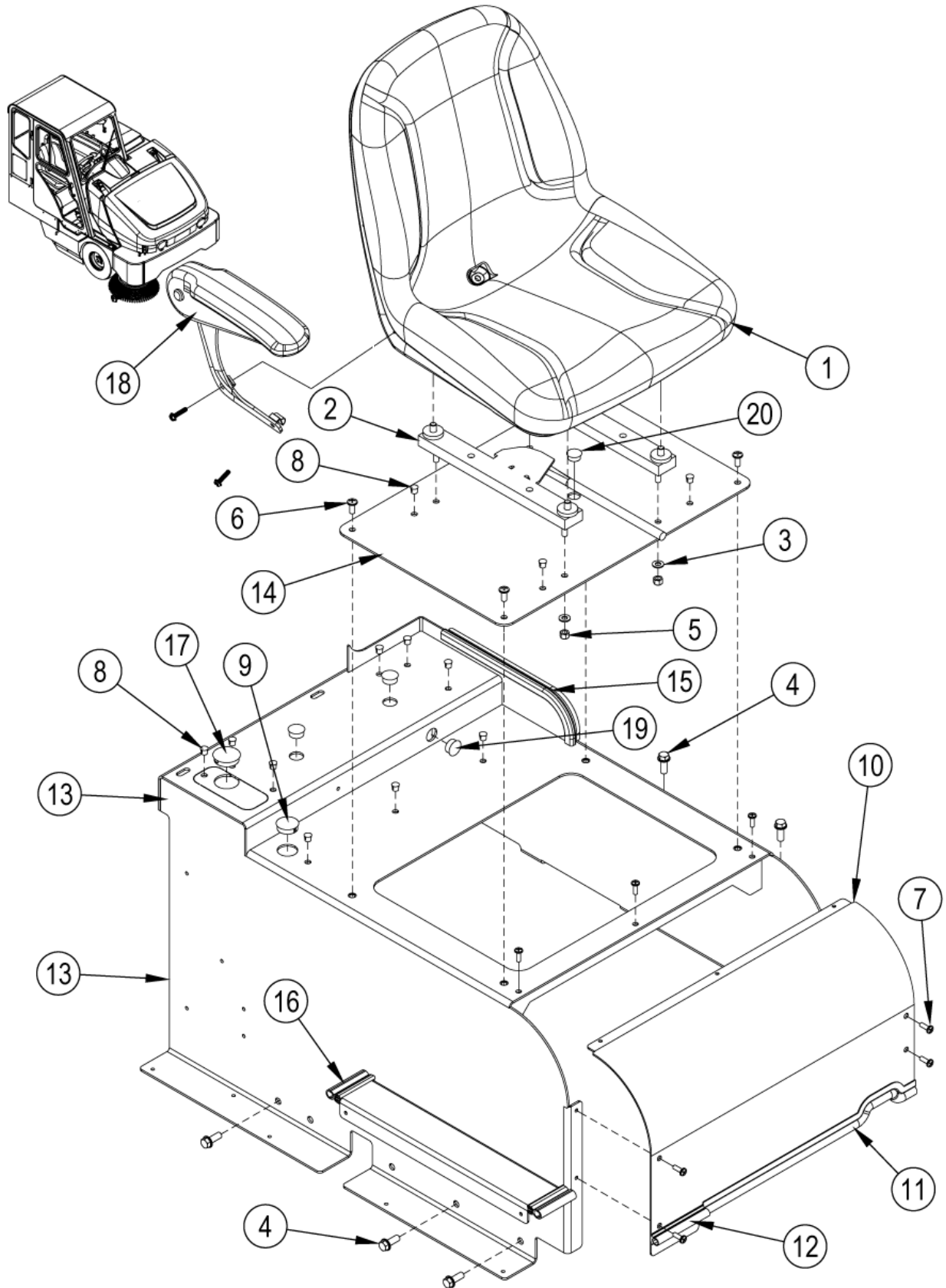
# CAB SYSTEM - SEAT ASSEMBLY

SW8000

05-04-2015

Part List ID  
SW8000128

145



# CAB SYSTEM - SEAT ASSEMBLY

SW8000

05-04-2015

Part List ID  
SW8000128

146

Pos	Part no.	Qty	Description	
0	56508586	1	SEAT ASSY CAB	
1	56383291	1	SEAT-8 IN. MOUNT	Note 1
2	7-72-05005	1	SLIDE ADJUSTER KIT	
3	56001939	4	WSH FLT SAE 5/16	
4	56002256	6	SCR HEX TYPE1 3/8-16X 1.00	
5	56002701	4	NUT HEX NYL LOC 5/16-18	
6	56002793	4	SCR PAN PHIL 5/16-18 X .75	
7	56009126	7	SCR PANPHILTHD FORM 1/4-20X.75	
8	56493149	13	PLUG CAP E00046	
9	56508250	1	PLUG CAP	
10	56508548	1	PANEL SEAT BASE	
11	56508596	1	BULB SEAL	
12	56508598	1	BULB SEAL	
13	56508851	1	WELDT SEAT BASE	
14	56508856	1	PLATE SEAT MOUNT	
15	56508857	1	BULB SEAL	
16	56508858	2	BULB SEAL	
17	56744814	1	PLUG BUTTON 1.50	
18	56383189	1	ARM REST KIT-R/H ONLY	Note 2
18	7-03-04250	1	ARM REST RH ONLY	Note 3
19	2-00-06574	3	CAP-7/8 DIA BLACK	
20	56900051	1	CONN EXT O/R -4 E00002	

NOTE 1: Seat 7-69-00008 has been replaced in production with Seat 56383291. If you need to replace Seat 7-69-00008 please order Seat Kit 56383467.

NOTE 2: Arm Rest Kit 56383189 is only for use on Seat 56383291.

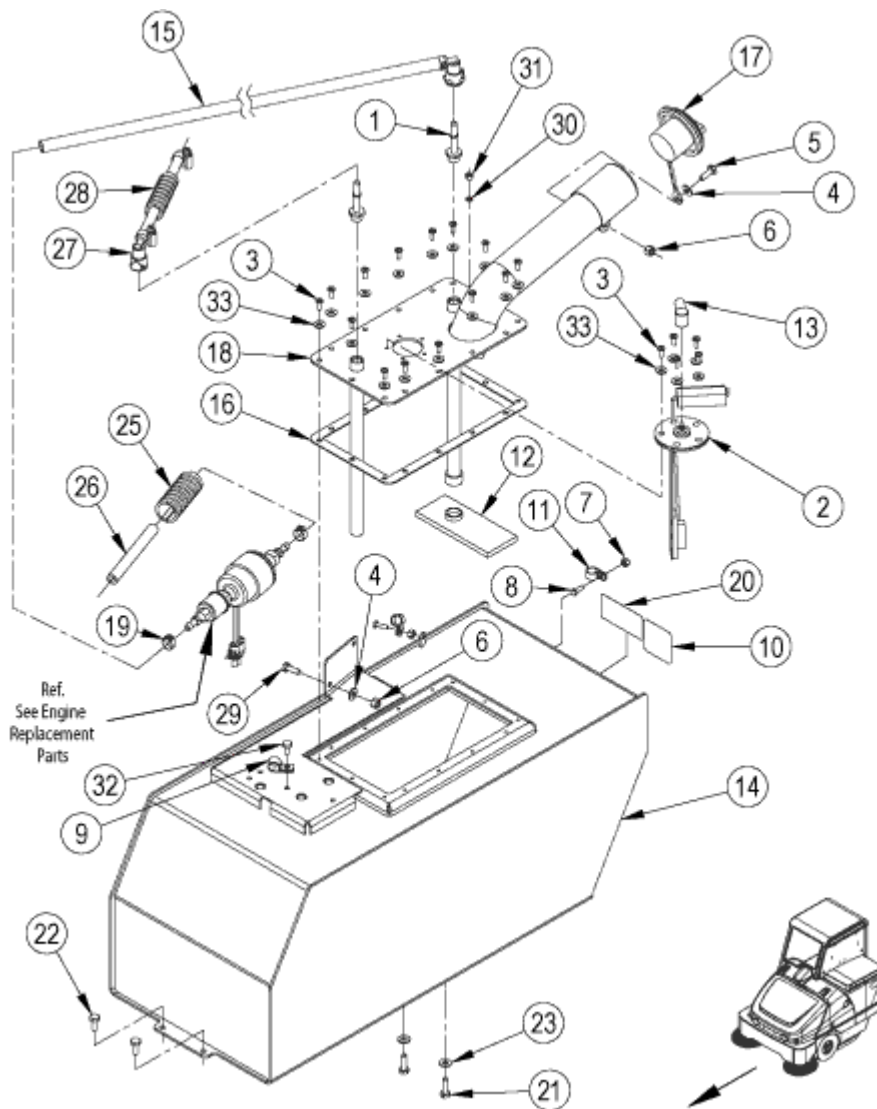
# DIESEL FUEL TANK ASSEMBLY

SW8000

05-04-2015

Part List ID  
SW8000130

147



# DIESEL FUEL TANK ASSEMBLY

SW8000

05-04-2015

Part List ID  
SW8000130

148

Pos	Part no.	Qty	Description
0	56508463	1	TANK DIESEL ASSEMBLY
1	7-11-04083	2	FITTING -6 STOR-5/16 SAE J2044
2	56478358	1	SENDER FUEL LEVEL RE437A
3	56001993	19	SCREW 10-24 X 0.5 ZINC PL
4	56002098	1	WSH FLT SAE 1/4
5	56002155	1	SCR HEX 1/4-20 X .75
6	56002708	1	NUT HEX NYL LOC 1/4-20
7	56002768	2	NUT HEX NYL LOC 10-24
8	56002829	2	SCR HEX 10-24 X .62
9	56003603	1	SCR PAN PHILTHDFORM 1/4-20X.38
10	56025454	1	DECAL DIESEL FUEL
11	56056903	2	CLAMP LOOP E00129
12	56419307	1	GASOLINE STRAINER-30 MICRON
13	56492305	1	BOOT
14	56507946	1	TANK FUEL WELDMENT
15	56507957	1	HOSE ASSY
16	56508349	1	GASKET COVER
17	56508354	1	FUEL CAP
18	56508464	1	COVER PLATE WELDMENT
19	56508515	2	CLAMP
20	56109404	1	DECAL-LOW SULFUR DIESEL
21	56001821	2	SCR HEX 1/4 20 X .88
22	56009033	2	SCR HEX THD FORM 1/4 20X.50
23	56002098	2	WSH FLT SAE 1/4
25	56508357	1	CONDUIT
26	56508358	1	HOSE FUEL LINE
27	56508646	1	HOSE ASSY
28	56508654	1	CONDUIT
29	2-00-00221	1	SCW-HHC .25-20 X .75 GR 8 ZN
30	2-00-00506	1	LK WASH INT TOOTH 8 DIA SCREW
31	56002808	1	NUT HEX NYL LOC 8-32
32	56009033	1	SCR HEX THD FORM 1/4 20X.50
33	56209261	19	WASHER SEALING

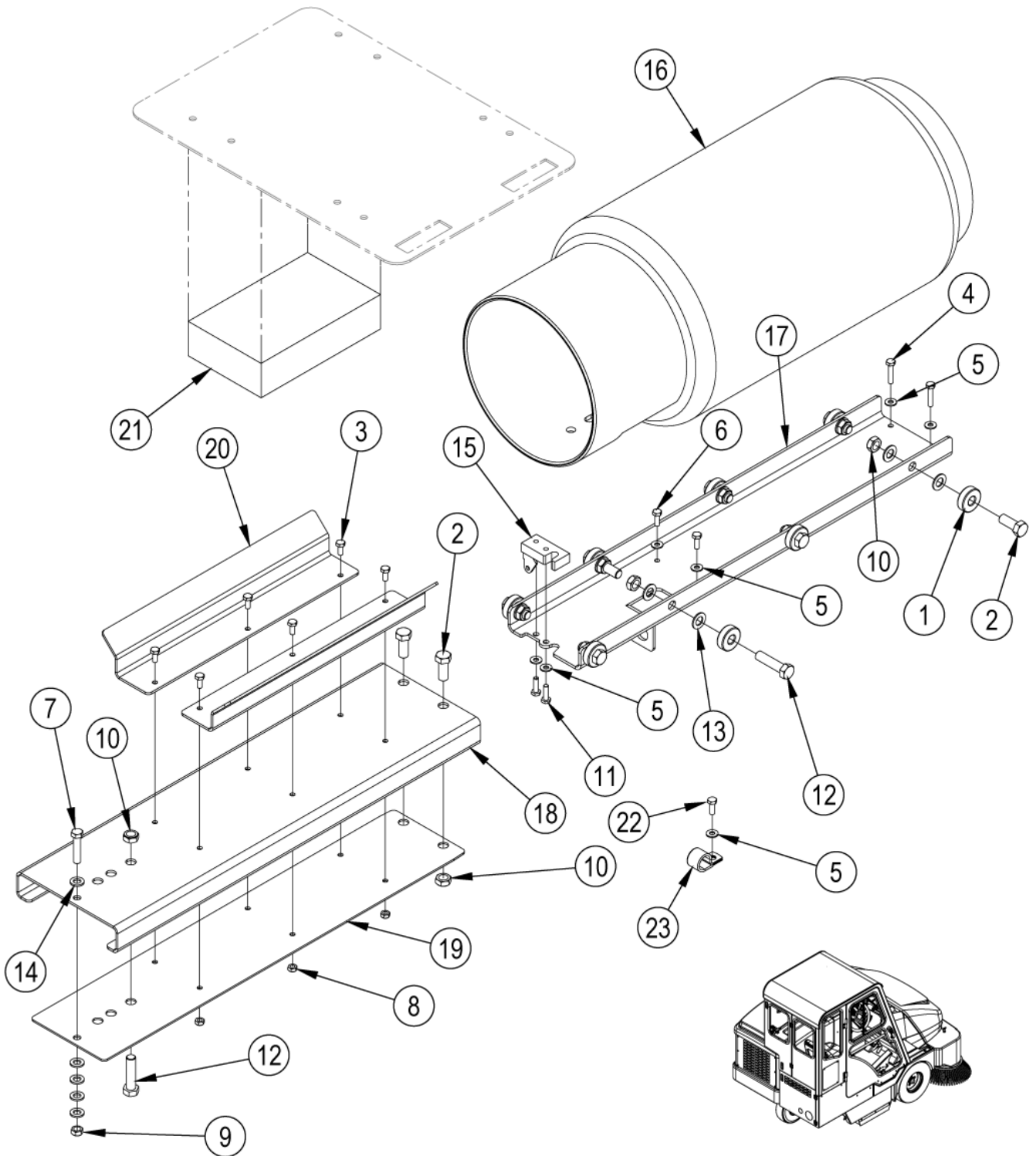
# LPG FUEL TANK ASSEMBLY

SW8000

05-04-2015

Part List ID  
SW8000132

149



# LPG FUEL TANK ASSEMBLY

SW8000

05-04-2015

Part List ID  
SW8000132

150

Pos	Part no.	Qty	Description
0	56508609	1	ROLLOUT LP TANK
1	2-00-03306	8	BRG SCHATZ-BR-9921 MAX RADIAL
2	56001831	8	SCR HEX 1/2 13 X 1.25
3	56001836	6	SCR HEX 1/4 20 X .62
4	56002047	2	SCR HEX THD/HD 1/4 20 X 1.25
5	56002098	7	WSH FLT SAE 1/4
6	56002155	2	SCR HEX 1/4-20 X .75
7	56002684	1	SCR HEX 3/8-16 X 1.75
8	56002840	6	NUT HEX NYL LOC-THIN 1/4-20
9	56002841	1	NUT HEX NYL LOC-THIN 3/8-16
10	56002843	11	NUT HEX NYL LOC-THIN 1/2-13
11	56002960	2	SCR HEX LOC 1/4 20 X .88
12	56003740	3	SCR HEX THD TO HD 1/2-13X2.00
13	56009017	16	WSH FLT HDN .516X.938X.075
14	56009214	5	WSH FLT .406X.750X.090
15	56413802	1	LATCH RH
16	56456590	1	L.P. TANK
17	56508610	1	BRKT TANK SIDE
18	56508611	1	BRKT TANK SIDE
19	56508612	1	PLATE TANK SIDE
20	56508613	2	BRKT LP TANK
21	56508824	1	FOAM LP TANK-CAB
22	56009018	1	SCR HEX THD FORM 1/4-20X .75
23	56496276	1	CLAMP HOSE SUPPORT



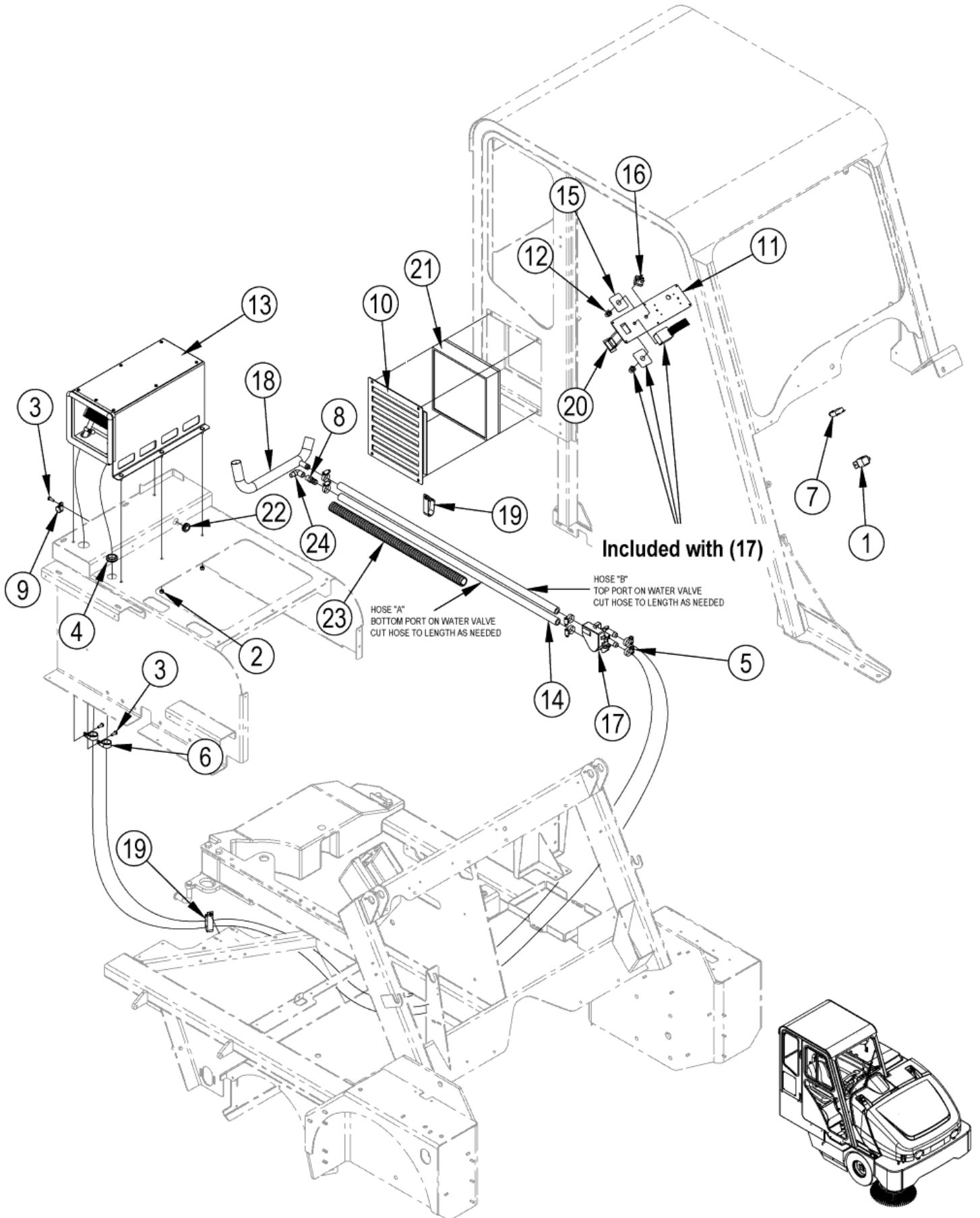
# CAB HEATER-PRESSURIZER OPTION

SW8000

05-04-2015

Part List ID  
SW8000134

151



# CAB HEATER-PRESSURIZER OPTION

SW8000

05-04-2015

Part List ID  
SW8000134

152

Pos	Part no.	Qty	Description	
1	56418387	1	RELAY SPDT	
2	56002708	5	NUT HEX NYL LOC 1/4-20	
3	56009126	3	SCR PANPHILTHD FORM 1/4-20X.75	
4	56055434	1	GROMMET E00059	
5	56112771	6	CLAMP HOSE SAE 10 E00047	
6	56410223	2	CLAMP P 56E00623	
7	56413822	1	CIRCUIT BREAKER 20 AMP	
8	56456436	1	BARB HOSE E00039	
9	56486112	1	CLAMP P	
10	56508473	1	COVER CAB FILTER	
11	56508777	1	PLATE OVERHEAD CONTROLS	
12	56508778	1	KNOB CONTROL	
13	56508779	1	ASSY HEATER AIR BOX	
14	56508782	2	HOSE HEATER	
15	56508787	1	DECAL CAB BLOWER	
16	56508794	1	SWITCH 3-SPEED	
17	56508823	1	ASSY HEATER CONTROL	
18	56508833	1	TUBE COOLANT	
19	2-00-05253	2	CLAMP	
20	2-00-05758	1	MTG PANEL PLUG VHP	
21	8-24-04141	1	FILTER - PRESSURIZER	
22	2-00-03878	1	GROM-RUB	
23	56419654	1	CONDUIT	Note 1
24	56900021	1	ELBOW STR 90 DEG. E00031	Note 1

NOTE 1: Gasoline/Petrol and LPG models only.

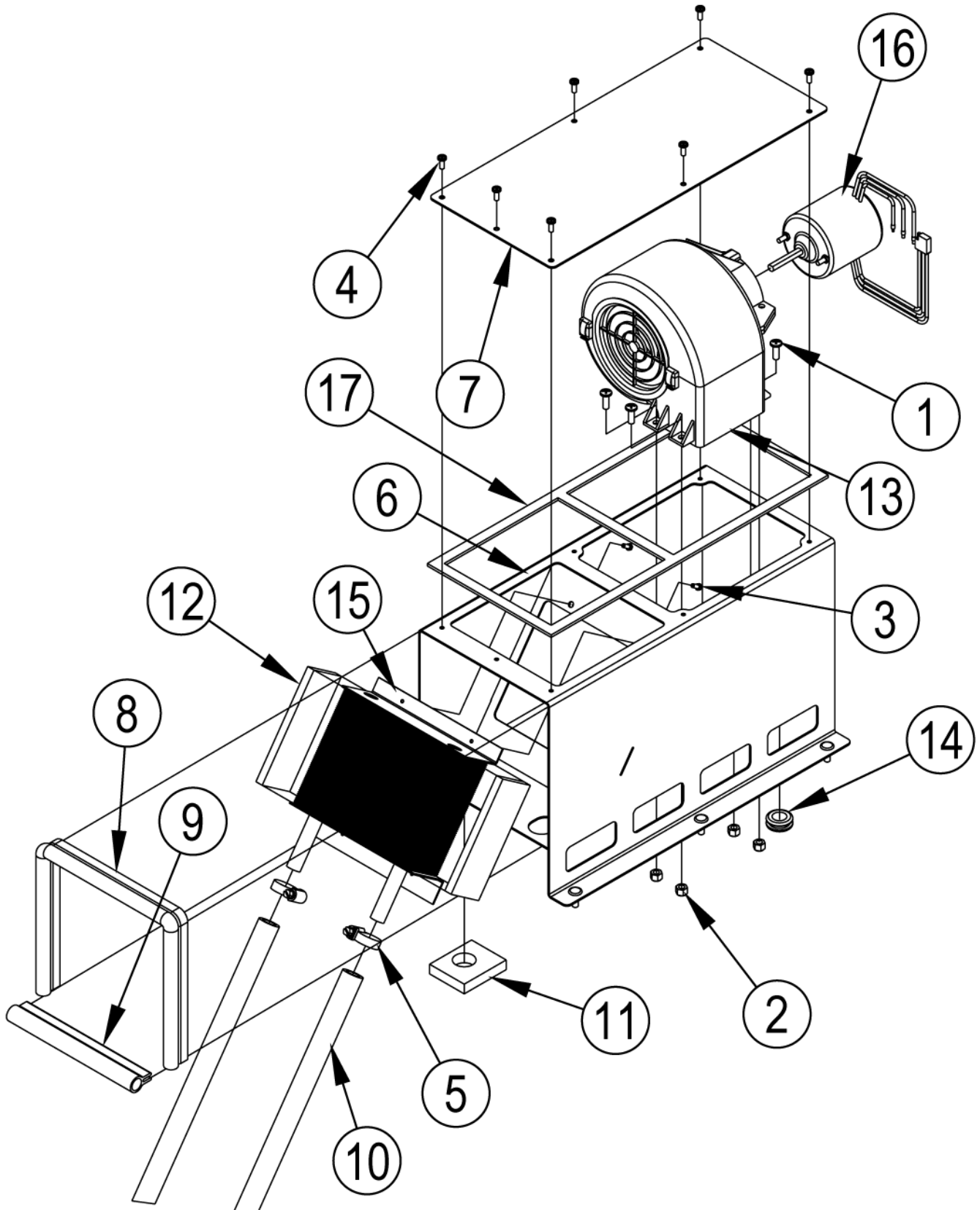
# CAB HEATER-PRESSURIZER OPTION 2

SW8000

05-04-2015

Part List ID  
SW8000136

153



# CAB HEATER-PRESSURIZER OPTION 2

SW8000

05-04-2015

Part List ID  
SW8000136

154

Pos	Part no.	Qty	Description
0	56508779	1	ASSY HEATER AIR BOX
1	56002507	4	SCR PAN PHIL 1/4-20 X .75
2	56002708	4	NUT HEX NYL LOC 1/4-20
3	56009075	2	SCR HEX THD FORM 8-32X.38
4	56009082	7	SCR PANPHILTHD FORMBLK10-24X.5
5	56112771	2	CLAMP HOSE SAE 10 E00047
6	56508475	1	WELDT HEATER AIR BOX
7	56508480	1	COVER AIR BOX
8	56508656	1	BULB SEAL
9	56508657	1	BULB SEAL
10	56508781	2	HOSE HEATER
11	56508783	1	FOAM HEATER HOSE GASKET
12	56508784	2	FOAM HEATER CORE
13	8-23-00015	1	BLOWER ASSY
14	2-00-03878	1	GROM-RUB
15	8-62-01015	1	HEATER CORE
16	0882-055	1	MOTOR
17	3-73-00056	1	SEAL SPONGE ADHESIVE

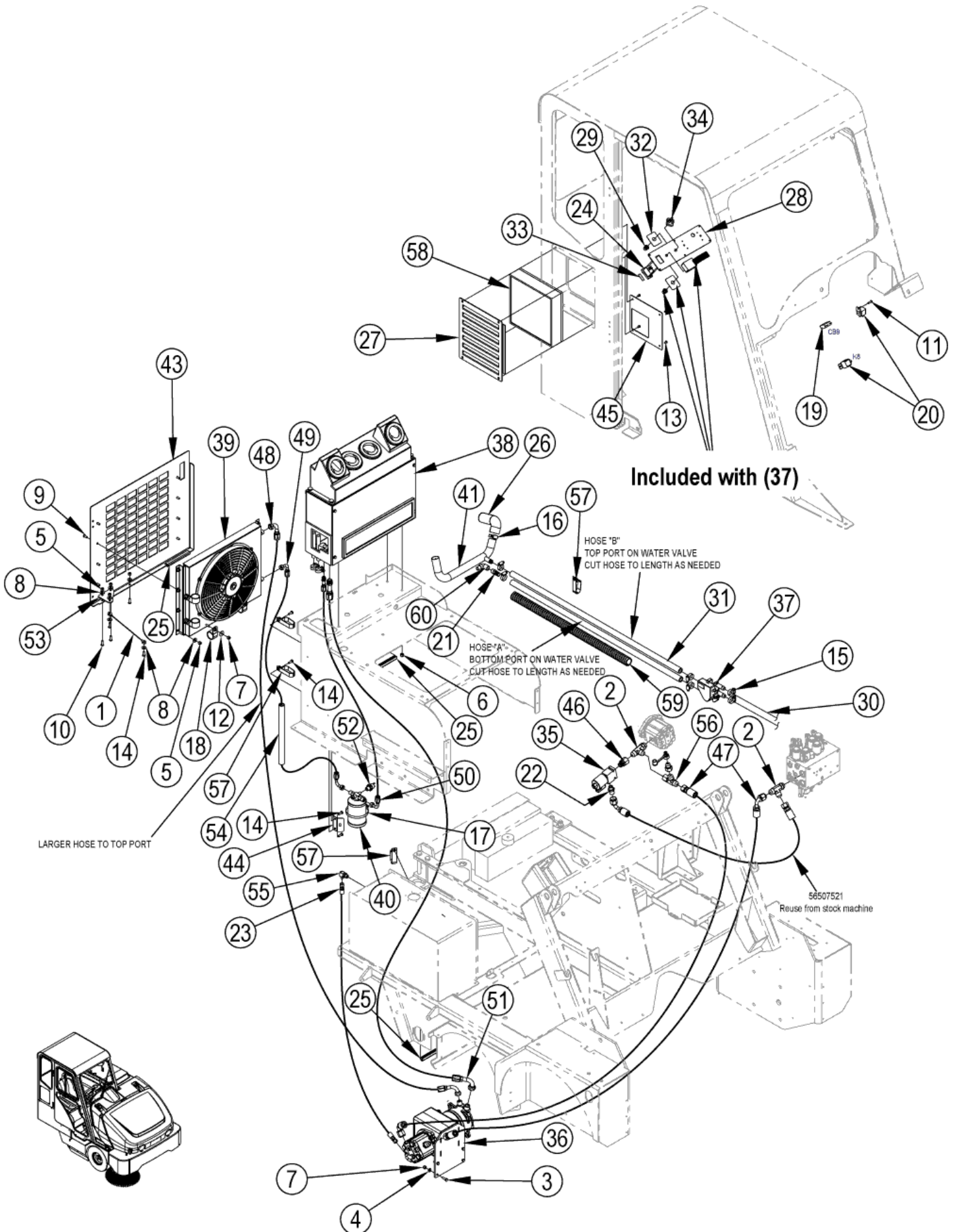
# CAB HEATER-PRESSURIZER AND AC OPTIOI

SW8000

05-04-2015

Part List ID  
SW8000138

155



# CAB HEATER-PRESSURIZER AND AC OPTIO

SW8000

05-04-2015

Part List ID  
SW8000138

156

Pos	Part no.	Qty	Description
1	56325240	1	WIRE ROPE ASSY 10.0HC366C
2	56900205	2	TEE RUN O/R 10 E00005
3	56001821	4	SCR HEX 1/4 20 X .88
4	56002098	4	WSH FLT SAE 1/4
5	56002491	12	NUT HEX NYL LOC SS 1/4-20
6	56002701	4	NUT HEX NYL LOC 5/16-18
7	56002708	8	NUT HEX NYL LOC 1/4-20
8	56002914	14	WSH FLT STD SS 1/4
9	56002989	8	SCR PAN PHIL SS 1/4-20 X .62
10	56003087	4	SCR PAN PHIL SS 1/4-20X .88
11	56003091	1	SCR PHIL PLASTITE 10-14 X .75
12	56009002	4	WASHER FLAT .266X.906X.060
13	56009030	4	SCR PAN PHIL THD FOM 10-24X.38
14	56009126	5	SCR PANPHILTHD FORM 1/4-20X.75
15	56112771	8	CLAMP HOSE SAE 10 E00047
16	56131601	1	CLAMP HOSE SAE 16 E00047
17	56352829	1	CLAMP HOSE SAE 52 E00047
18	56409463	4	CLAMP 1.25 HOSE SUPPORT
19	56413822	1	CIRCUIT BREAKER 20 AMP
20	56418387	2	RELAY SPDT
21	56456436	1	BARB HOSE E00039
22	56488612	1	CONNECTOR ST. THD. E00001
23	56507539	1	HOSE HYDRAULIC
24	56507889	1	SWITCH SPDT ROCKER
25	56507905	3	TRIM EDGE
26		1	NOTE COMMENT Hose, Lower Radiator
27	56508473	1	COVER CAB FILTER
28	56508777	1	PLATE OVERHEAD CONTROLS
29	56508778	1	KNOB CONTROL
30	56508781	2	HOSE HEATER
31	56508782	2	HOSE HEATER
32	56508787	1	DECAL CAB BLOWER
33	56508788	1	DECAL CAB A/C
34	56508794	1	SWITCH 3-SPEED
35	56508798	1	VALVE HYDRAULIC
36	56508806	1	ASSY A/C COMPRESSOR
37	56508823	1	ASSY HEATER CONTROL
38	56508827	1	EVAPORATOR-HEATER UNIT
39	56508828	1	CONDENSER A/C
40	56508829	1	RECEIVER/DRIER A/C
41	56508833	1	TUBE COOLANT
42	56508834	1	HARNESS EXTERRA A/C
43	56508859	1	DOOR ACCESS

NOTE 1: Gasoline/Petrol and LPG models only.

# CAB HEATER-PRESSURIZER AND AC OPTIO

SW8000

05-04-2015

Part List ID  
SW8000138

157

Pos	Part no.	Qty	Description	
44	56508860	1	BRACKET REC/DRIER	
45	56508862	1	PLATE COVER	
46	56508865	1	FITTING ADAPTER	
47	56508866	2	HOSE HYDRAULIC	
48	56508867	1	HOSE REFRIGERANT	
49	56508868	1	HOSE REFRIGERANT	
50	56508869	1	HOSE REFRIGERANT	
51	56508870	1	HOSE REFRIGERANT	
52	56508871	1	SWITCH BINARY	
53	56508893	1	BRACKET STOP	
54	56508895	1	HOSE PROTECTIVE	
55	56900110	1	ELBOW 90DEG O/R 4 6 E00003	
56	56900345	1	TEE RUN W/NUT 10 E00009	
57	2-00-05253	4	CLAMP	
58	8-24-04141	1	FILTER - PRESSURIZER	
59	56419654	1	CONDUIT	Note 1
60	56900021	1	ELBOW STR 90 DEG. E00031	Note 1
NS	56508896	1	FAN CONDENSER	
NS	56508897	1	RELAY CONDENSER FAN	
NS	56508898	1	FAN BLOWER	
NS	56508899	1	SWITCH THERMOSTAT	
NS	56508900	1	VALVE EXPANSION	
NS	56508901	1	COIL HEATER	
NS	56508902	1	COIL EVAPORATOR	
NS	56508903	1	FILTER RECIRCULATION	

NOTE 1: Gasoline/Petrol and LPG models only.

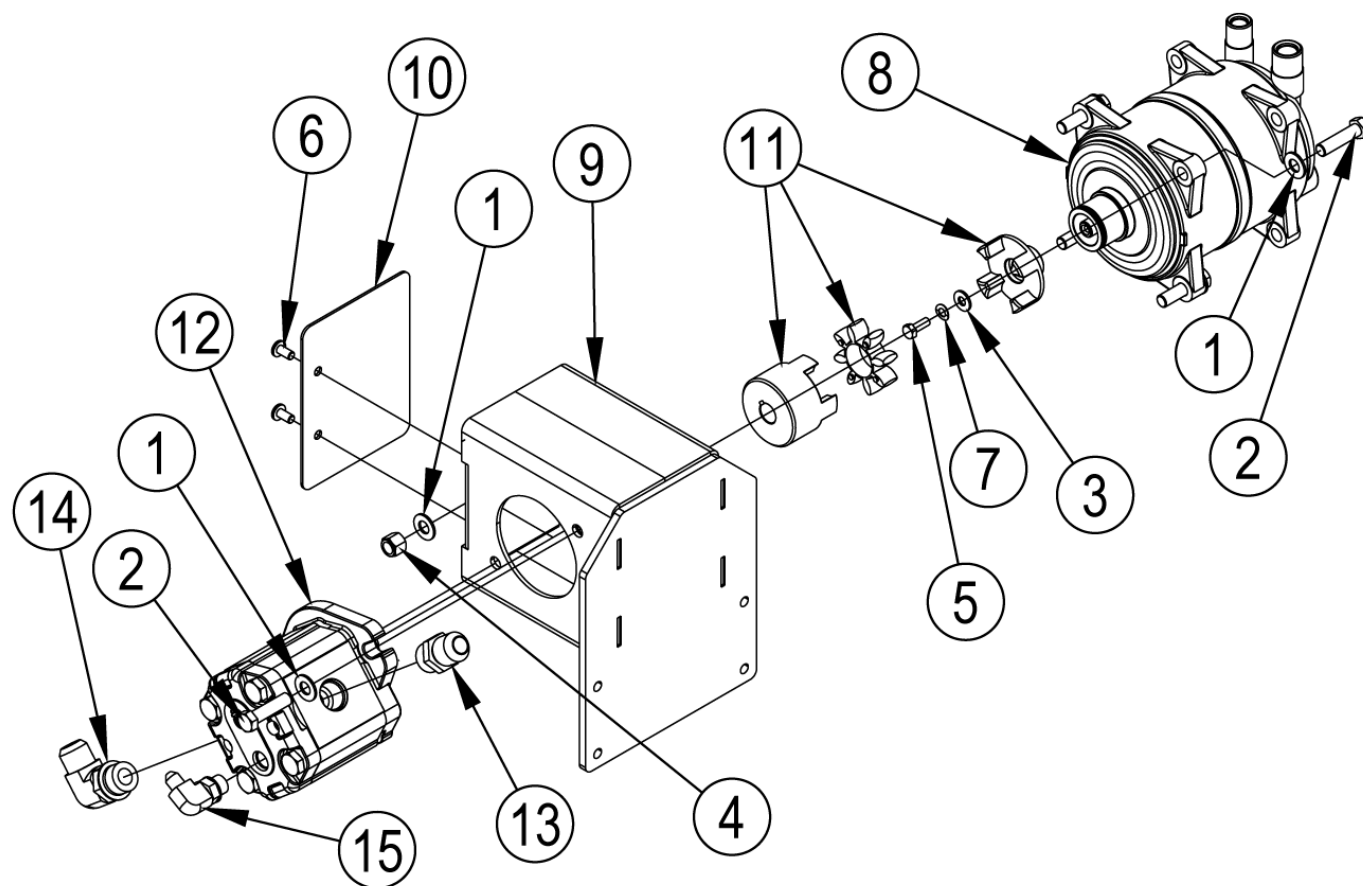
# CAB HEATER-PRESSURIZER AND AC OPTION

SW8000

05-04-2015

Part List ID  
SW8000140

158





# CAB HEATER-PRESSURIZER AND AC OPTION

SW8000

05-04-2015

Part List ID  
SW8000140

159

Pos	Part no.	Qty	Description
1	56002063	12	WSH FLT SAE 3/8
2	56002095	6	SCR HEX 3/8-16 X 1.50
3	56002098	1	WSH FLT SAE 1/4
4	56002769	6	NUT HEX NYL LOC 3/8-16
5	56003441	1	SCR HEX LOC M6-1.00X16MM
6	56009062	2	SCR PAN PHIL THD FORM1/4-20X.5
7	56009125	1	WSH BOWED .266X.500X.060
8	56508793	1	COMPRESSOR A/C
9	56508799	1	HOUSING A/C COMPRESSOR
10	56508803	1	PLATE COVER
11	56508804	1	COUPLING SPIDER
12	56508807	1	MOTOR HYDRAULIC
13	56900005	1	CONNECTOR O/R -10 E00001
14	56900105	1	ELBOW 90DEG.O/R 10 E00003
15	56900110	1	ELBOW 90DEG O/R 4 6 E00003

**RECOMMENDED SPARE PART**

SW8000

05-04-2015

Part List ID  
SW8000142

160

No Drawing For Part List

# RECOMMENDED SPARE PART

SW8000

05-04-2015

Part List ID  
SW8000142

161

Pos	Part no.	Qty	Description	
1		1	NOTE COMMENT	Normal Wear
2	56507998	1	SEAL	
3	56504545	1	SEAL-CRANK -OIL-FRONT	
4	56504546	1	SEAL-CRANK -OIL-REAR	
5	56508325	1	SEAL DOOR HINGE	
6	56107729	1	CLAMP DOOR SEAL	
7	56507189	1	SEAL AIR EXHAUST	
8	56507219	1	SEAL HOPPER COVER 4 PARTS	
9	8-85-06021	1	TIRE-5.00X8 PNEUMATIC	
10	56508943	1	TIRE SOLID 5 X 8 X 3	
11	56508372	1	FLAP DUST	
12	56508373	1	FLAP DUST	
13	56508387	1	FLAP DUST	
14	8-70-00086	1	FLAP-PNEUMATIC TIRE 9.0x6.7	
15	56508389	1	FLAP HOPPER SIDE	
16	56508247	1	FLAP FRONT TIRE TRAIL	
17	56507473	1	FLAP	
18	56507569	1	FLAP BROOM REAR	
19	56508317	1	FLAP	
20	56508083	1	FLAP HOPPER	
21	56507417	1	FLAP DOOR	
22	56107621	1	FLAP BROOM REAR	
23		1	NOTE COMMENT	Ordinary Maintenance
24	56507619	1	SEAL KIT FOR SIDE BROOM MOTOR	
25	56507895	1	GASKET	
26	56507198	1	SEAL VACUUM FAN	
27	56508728	1	SEAL HOPPER SKID PLATE	
28	56507169	1	SEAL HOPPER	
29	56507178	1	SEAL HOPPER DOOR SIDE	
30	7-70-00127	1	SEAL KIT	
31	56109100	1	SEAL KIT	
32	56380809	1	SEAL KIT	
33	56380813	1	SEAL KIT	
34	56508223	1	SEAL KIT	
35	56305354	1	SEAL KIT	
36	56305355	1	SEAL KIT	
37	56507702	1	SEAL KIT	
38	56418823	1	SEAL KIT	
39	8-70-00085	1	TUBE-INNER-PNEU TIRE 5.00x8	
40	8-70-00093	1	TUBE-INNER PNEU. TIRE	
41	56507618	1	SEAL KIT	
42	56507620	1	SEAL KIT FOR MAIN BROOM MOTOR	

NOTE 1: All Diesel machines built after serial number 1000053695 with factory installed temperature gauge.

NOTE 2: All Diesel machines built before serial number 1000053696 with factory installed temperature gauge.

# RECOMMENDED SPARE PART

SW8000

05-04-2015

Part List ID  
SW8000142

162

Pos	Part no.	Qty	Description
43	56508487	1	OIL FILTER CARTRIDGE
44	56107706	1	SPARK PLUG
45		1	NOTE COMMENT Extra-Ordinary Maintenance
46	56507064	1	MOTOR SIDE BROOM
47	56508664	1	MOTOR 12VDC
48	56419089	1	STARTER MOTOR
49	56507063	1	MOTOR TRACTION DRIVE
50	56507067	1	HYDRAULIC MOTOR VAC FAN
51	56507066	1	MAIN BROOM MOTOR
52	8-65-05015	1	RIM ASSEMBLY
53	8-85-06023	1	RIM ASSY - 3.00x8 LOCKRING
54	56305053	1	SENSOR PROXIMITY
55	56305129	1	ROTARY SENSOR
56	56508454	1	THERMOSTAT KIT
57	56508003	1	HARNESS GASOLINE SENSOR
58	56305010	1	KNOB BROOM
59	56305030	1	KNOB ADJUSTING
60	2-00-04886	1	SCREW-HSHC 3/8-16 X 1/2 LONG
61	2-00-04889	1	BEARING-MAIN BROOM IDLER
62	56507065	1	SIDE BROOM CYLINDER
63	56507095	1	STEERING CYLINDER
64	56507155	1	CYLINDER HYDRAULIC HOPPER DOOR
65	56507241	1	CYLINDER HYDRAULIC HOPPER LIFT
66	56305369	1	CARTRIDGE
67	56305367	1	CARTRIDGE
68	56305531	1	CARTRIDGE
69	56507686	1	CARTRIDGE
70	56507687	1	CARTRIDGE FLOW CONTROL 2 GPM
71	56507688	1	CARTRIDGE
72	56419397	1	RELIEF VALVE CARTRIDGE
73	56507690	1	DIRECTIONAL VALVE
74	56305370	1	CHECK VALVE CARTRIDGE
75	56507692	1	CARTRIDGE
76	56507983	1	ORIFICE
77	56508184	1	ORFICE
78	56507694	1	COIL 12 VDC
79	56507695	1	COIL 12 VDC
80	56497754	1	KEY SWITCH
81	56418685	1	SWITCH STARTER
82	56419091	1	SWITCH TEMPERATURE
83	56508400	1	GOVERNOR CONTROLLER
84	56454429	1	CIRCUIT BREAKER 70A

NOTE 1: All Diesel machines built after serial number 1000053695 w ith factory installed temperature gauge.

NOTE 2: All Diesel machines built before serial number 1000053696 w ith factory installed temperature gauge.

# RECOMMENDED SPARE PART

SW8000

05-04-2015

Part List ID  
SW8000142

163

Pos	Part no.	Qty	Description
85	56413407	1	CIRCUIT BREAKER 15 AMP
86	56413822	1	CIRCUIT BREAKER 20 AMP
87	56507644	1	CIRCUIT BREAKER 10 AMP
88	56110738	1	ALTERNATOR 105 AMP
89	56418387	1	RELAY SPDT
90	56383884	1	SENDER-TEMPERATURE-BSPP
91	56305873	1	SENDER TEMPERATURE
92	56508191	1	SWITCH ASSEMBLY N.O.
93	56507889	1	SWITCH SPDT ROCKER
94	56507888	1	SWITCH SPDT ROCKER
95	56508899	1	SWITCH THERMOSTAT
96	56508871	1	SWITCH BINARY
97	56418381	1	SWITCH N C PRESSURE
98	56107613	1	SENSOR OXYGEN
99	56107712	1	OIL PRESSURE SWITCH
100	56508444	1	SWITCH PRESSURE
101	56107721	1	WATER TEMP SENSOR W/SEAL
102	2-00-06354	1	CRANK/RPM SENSOR
103	56107707	1	STARTER
104	56107708	1	WATER PUMP ASSY-LPG
105	56510970	1	WATER PUMP-D1305
106	56107710	1	DIPSTICK
107	56107711	1	GASKET-EXHAUST MANIFOLD
108	56107718	1	IGNITION COIL
109	56510971	1	PULLEY-ALTERNATOR
110	56383025	1	CAP-OIL FILL
111	56107668	1	SWITCH KIT-OPERATOR PRESENCE

NOTE 1: All Diesel machines built after serial number 1000053695 with factory installed temperature gauge.

NOTE 2: All Diesel machines built before serial number 1000053696 with factory installed temperature gauge.

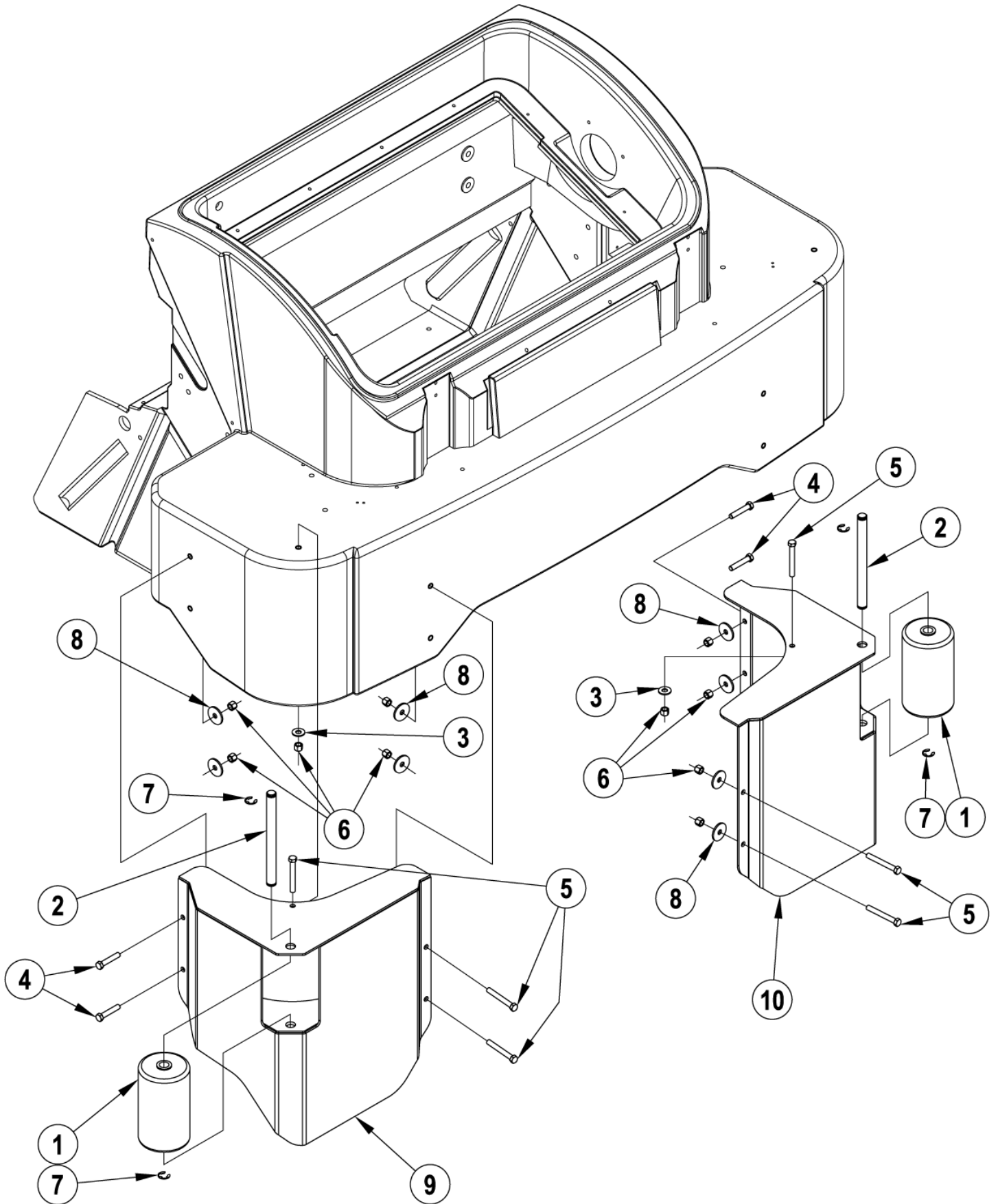
# 56508364/56508365 - Right/Left Side Broom Guar

SW8000

05-04-2015

Part List ID  
IS56040922

164



# 56508364/56508365 - Right/Left Side Broom Guard

SW8000

05-04-2015

Part List ID

1S560409Z2

165

Pos	Part no.	Qty	Description	
0	56508364	1	RIGHT SIDE BROOM GUARD KIT	
0	56508365	1	LEFT SIDE BROOM GUARD KIT	
1	56409335	1	BUMPER ROLLER	
2	56409336	1	PIN	
3	56002055	1	WSH FLT STD 3/8	
4	56002800	2	SCR HEX SS 3/8-16 X 2.00	
5	56003783	3	SCR HEX SS 3/8-16 X 3.00	
6	56002769	5	NUT HEX NYL LOC 3/8-16	
7	56003266	2	RING RET EXT TYPE E	
8	56009242	4	WSH FLT .406X1.50X.125	
9	56107726	1	RT SB GUARD WELDT	FOR 56508364 RIGHT SIDE
10	56107727	1	LT SB GUARD WELDT	FOR 56508365 LEFT SIDE

NOTE: Items 1, 2 & 7 are pre-assembled to the side broom guard weldment in both kits.

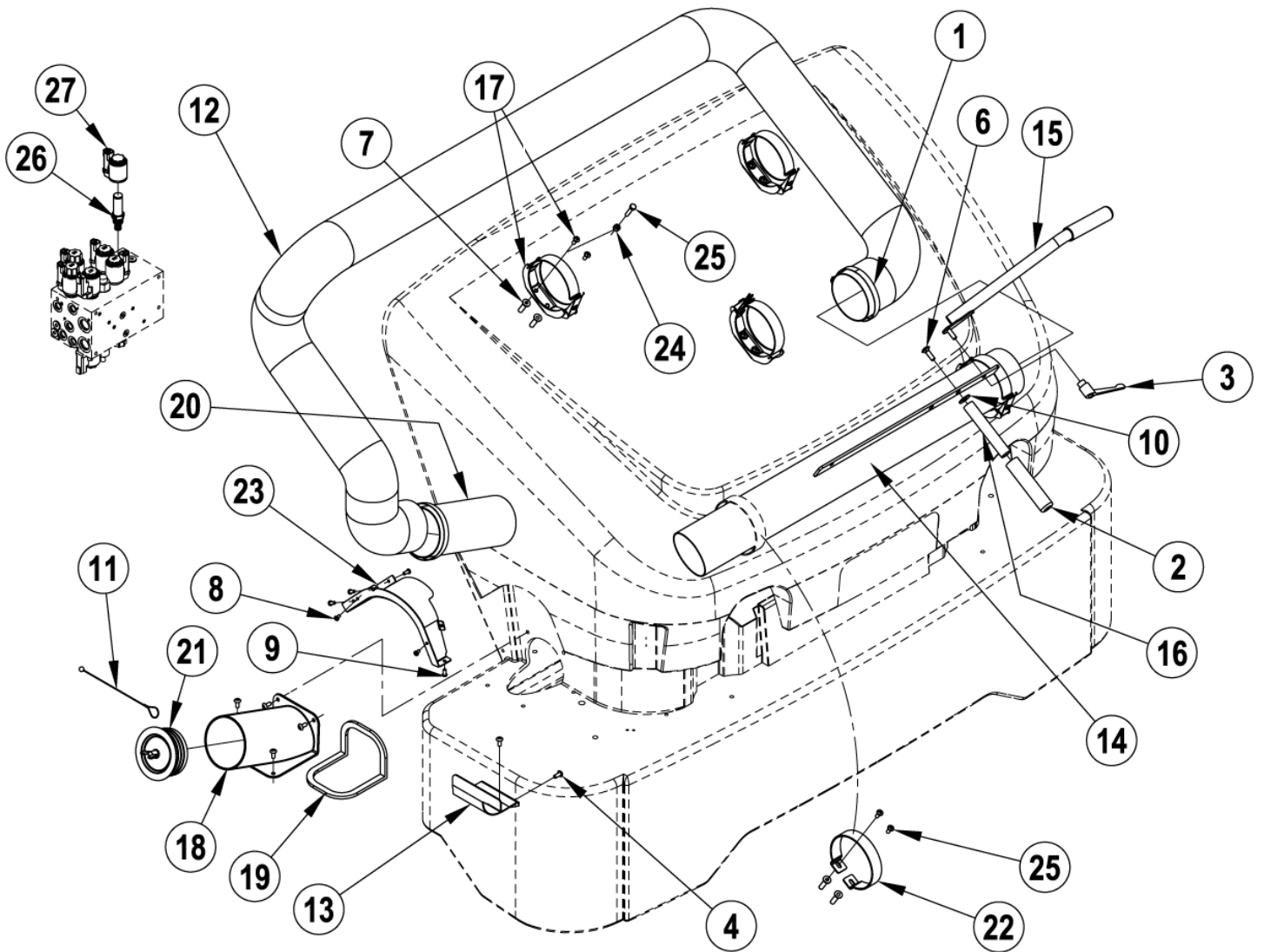
# 56507030 - Litter Vac Kit

SW8000

05-04-2015

Part List ID  
IS56040935

166





# 56507030 - Litter Vac Kit

SW8000

05-04-2015

Part List ID  
IS56040935

167

Pos	Part no.	Qty	Description
0	56507030	1	LITTER VAC KIT
1	2-00-03959	2	CLAMP-FAN HOSE
2	2-95-03355	2	GRIP-HDL
3	7-39-00033	1	KNOB 5-16/18 ADJ HANDLE
4	56009120	6	SCR PANPHIL SS TYPEB1/4-14X.62
6	56003720	1	SCR CARRIAGE SS 5/16-18 X 1.00
7	56003768	10	INSERT COLLAPSING 1/4-20
8	56009030	2	SCR PAN PHIL THD FOM 10-24X.38
9	56009191	5	SCR PAN PHIL PLASTITE10-14X.50
10	56009213	1	SH FLT .382X1.000X.075
11	56261378	1	STRAP CORK
12	56507863	1	HOSE
13	56508451	1	BAFFLE VAC WAND
14	56508550	1	VAC TUBE WELDMENT
15	56508555	1	HANDLE WELDMENT
16	56508556	1	GRIP WELDMENT
17	56508570	4	CLAMP ASSEMBLY
18	56508724	1	VAC HOSE MANIFOLD WELDT
19	56508727	1	SEAL VAC HOSE MANIFOLD
20	56508729	1	COUPLING VAC HOSE
21	56508731	1	PLUG 4 PIPE
22	56508732	1	BRACKET VAC HOSE
23	56508733	1	COVER CUTOUT WELDT
24	56508740	1	INSERT TOOL
25	56001821	10	SCR HEX 1/4 20 X .88
26	56305368	1	CARTRIDGE
27	56507694	1	COIL 12 VDC
28	56508191	1	SWITCH ASSEMBLY N.O. (SW8000 only)
29	56001854	2	SCR HEX 1/4 20 X .50 (SW8000 only)
30	56002098	2	WSH FLT SAE 1/4 (SW8000 only)
31	56009005	1	SCR PANPHILS TYPE AB 10-16X.75 (SW8000 only)
32	56418387	1	RELAY SPDT (SW8000 only)

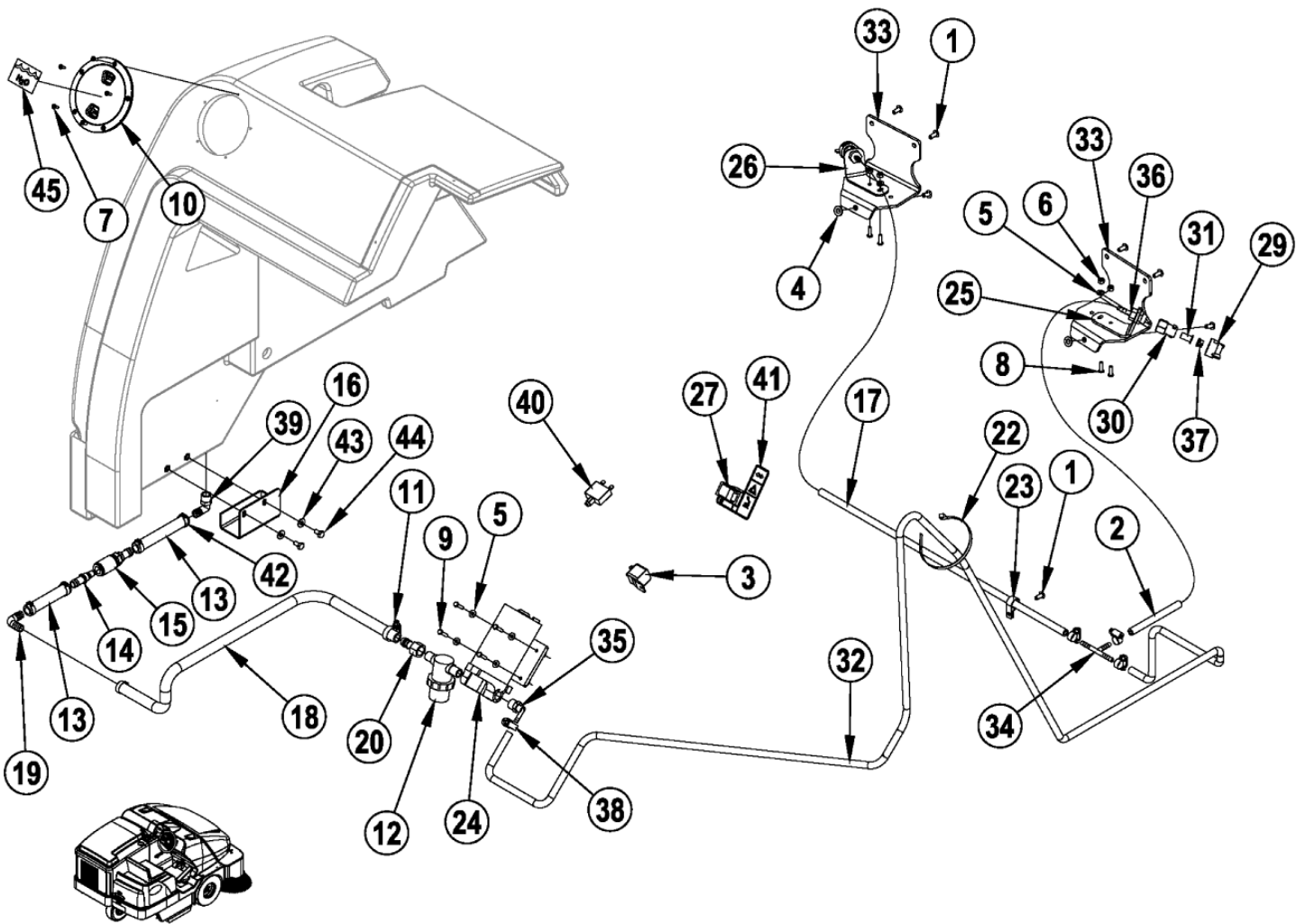
# 56507850 - Sidebroom Premist Kit

SW8000

05-04-2015

Part List ID  
IS56040940

168



# 56507850 - Sidebroom Premist Kit

SW8000

05-04-2015

Part List ID  
IS56040940

169

Pos	Part no.	Qty	Description
0	56507850	1	MIST SPRAY KIT
1	56009120	7	SCR PANPHIL SS TYPEB1/4-14X.62
2	56264260	1	5.00 HOSE
3	56418387	1	RELAY SPDT
4	56002938	2	WSH FLT SAE SS 5/16
5	56002916	6	WSH FLT SAE SS 10
6	56002836	4	NUT HEX NYL LOC SS 10-24
7	56003093	6	SCR PAN PHIL PLAST 8-15 X .50
8	56002894	4	SCR PAN PHIL SS 10-24 X .75
9	56009038	4	SCRHEX THD FORM 10-24 X .88
10	FP292	1	SOLUTION LID KIT 56108085
11	56219932	1	CLAMP HOSE SAE 6 E00047
12	56260905	1	STRAINER
13	56265245	2	HOSE PVC CLEAR 5.00
14	56314310	1	COUPLING QUICK DISC. MALE
15	56314311	1	COUPLING QUICK DISC. FEMALE
16	56107699	1	GUARD
17	56317122	1	HOSE .25X25.0 E00160
18	56392663	1	HOSE SPIRAL 1/2IDX3/4ODX33.0
19	56386183	1	HOSE BARB 90 DEG
20	56397145	1	BARB HOSE FEMALE
22	56477613	1	CABLE TIE E00549 RE409S
23	56486112	1	CLAMP P
24	56507851	1	PUMP 24 VDC
25	56107702	1	BRACKET-NOZZLE
26	56107701	1	BRACKET-NOZZLE
27	56507889	1	SWITCH SPDT ROCKER
28	56507902	1	ELECTRICAL HARNESS DUST GUARD
29	56507908	2	CAP NOZZLE
30	56507909	2	ADAPTER NOZZLE
31	56507916	2	STRAINER CHECK VALVE 5 PSI
32	56507986	1	HOSE 1/4 ID X 1/2 OD X 120 LG
33	56107700	2	BRACKET-MIST SPRAY NOZZLE
34	56508441	1	TEE 1/4 HOSE BARB
35	56508442	1	ELBOW BARB 1/4 X 3/8 NPT
36	56508449	2	NOZZLE ADAPTOR
37	56508450	2	NOZZLE SPRAY
38	56756364	4	CLAMP HOSE SAE 4 E00047
39	56409152	1	BARB 90 1/2 NPTX1/2 E00037
40	56507644	1	CIRCUIT BREAKER 10 AMP
41	56508228	1	DECAL OPTIONS
42	56508517	5	CLAMP OEITKER
43	56002859	2	WSH FLT SAE SS 1/4

# 56507850 - Sidebroom Premist Kit

SW8000

05-04-2015

Part List ID  
IS56040940

170

Pos	Part no.	Qty	Description
44	56002801	2	SCR HEX SS 1/4-20 X .50
45	56508644	1	DECAL WATER ONLY

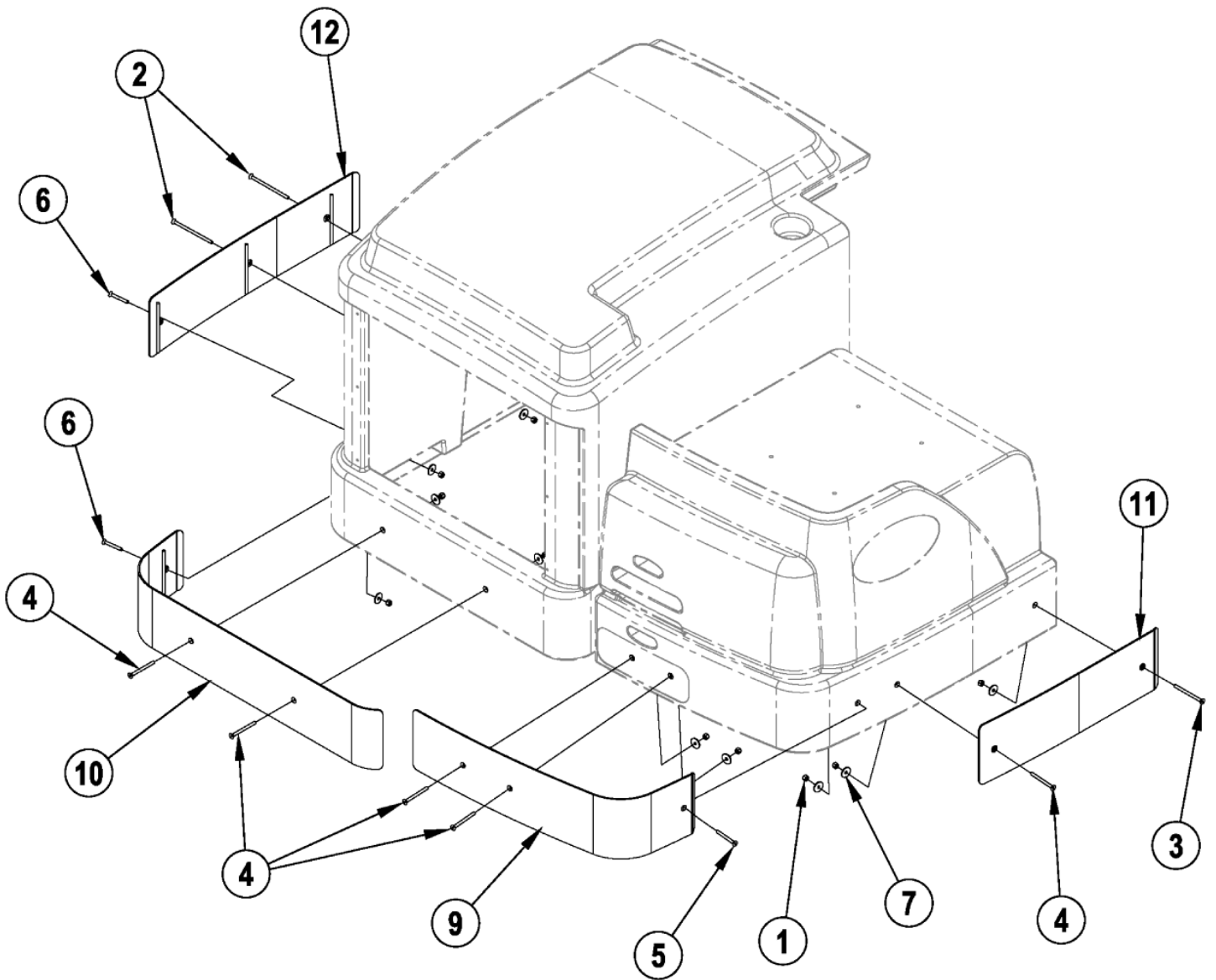
# 56508720 - Rear Bumper Kit

SW8000

05-04-2015

Part List ID  
IS56040961A

171



# 56508720 - Rear Bumper Kit

SW8000

05-04-2015

Part List ID  
IS56040961A

172

Pos	Part no.	Qty	Description
0	56508720	1	REAR BUMPER KIT
1	56002491	11	NUT HEX NYL LOC SS 1/4-20
2	56003772	2	SCR FLT SOC 1/4-20 X 4.75
3	56003773	1	SCR FLT SOC 1/4-20 X 3.50
4	56003774	5	SCR FLT SOC 1/4-20 X 3.00
5	56003775	1	SCR FLT SOC 1/4-20 X 2.50
6	56003776	2	SCR FLT SOC 1/4-20 X 2.00
7	56009060	11	WSH FLT SS .260X1.000X.074
9	56107730	1	RT REAR BUMPER WELDT
10	56107731	1	LT REAR BUMPER WELDT
11	56107732	1	RT BUMPER WELDT
12	56107733	1	LT BUMPER WELDT

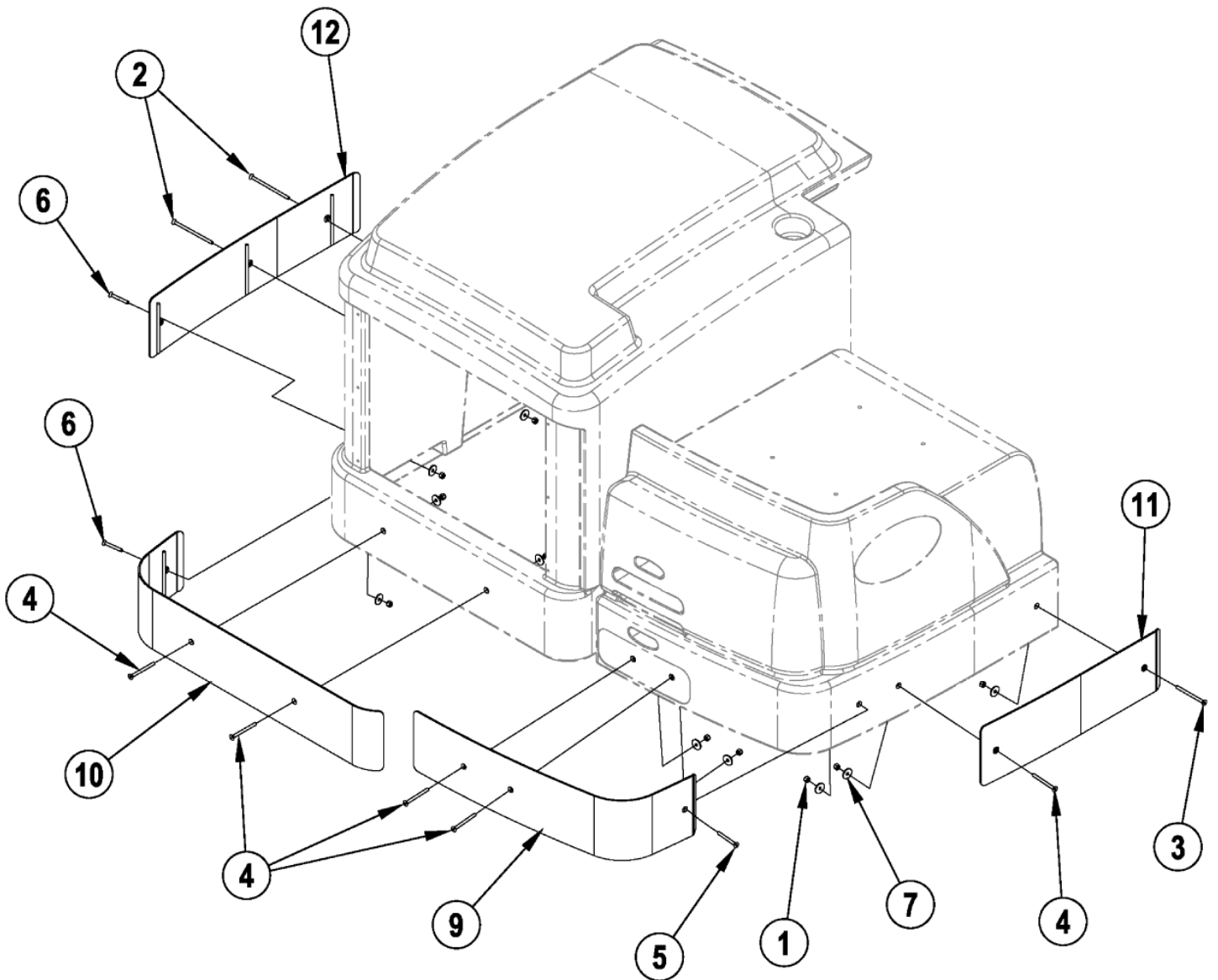
# 56508811 - Rear Bumper Kit - Cab

SW8000

05-04-2015

Part List ID  
IS56040961B

173



# 56508811 - Rear Bumper Kit - Cab

SW8000

05-04-2015

Part List ID  
IS56040961B

174

Pos	Part no.	Qty	Description
0	56508811	1	REAR BUMPER KIT-CAB
1	56002708	6	NUT HEX NYL LOC 1/4-20
2	56003772	2	SCR FLT SOC 1/4-20 X 4.75
4	56003774	2	SCR FLT SOC 1/4-20 X 3.00
6	56003776	2	SCR FLT SOC 1/4-20 X 2.00
7	56009060	6	WSH FLT SS .260X1.000X.074
10	56107731	1	LT REAR BUMPER WELDT
12	56107733	1	LT BUMPER WELDT



# 56507037 - Foam filled tyre kit

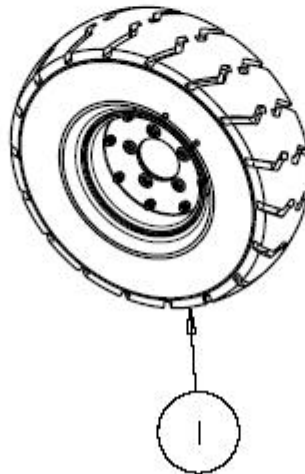
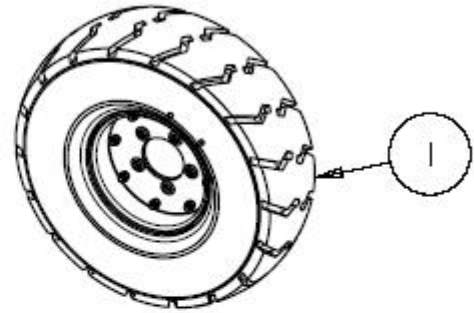
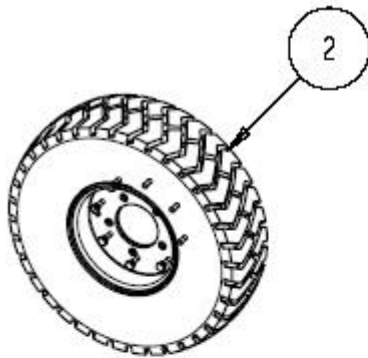
SW8000

05-04-2015

Part List ID

56507037

175



# 56507037 - Foam filled tyre kit

SW8000

05-04-2015

Part List ID  
56507037

176

Pos	Part no.	Qty	Description
0	56507037	1	FOAM FILLED TIRE KIT
1	8-89-08056	1	WHL ASSY PNEUMATIC FOAM FILLED
2	8-89-08080	2	WHEEL ASSY-FRONT FOAM FILL 5x8

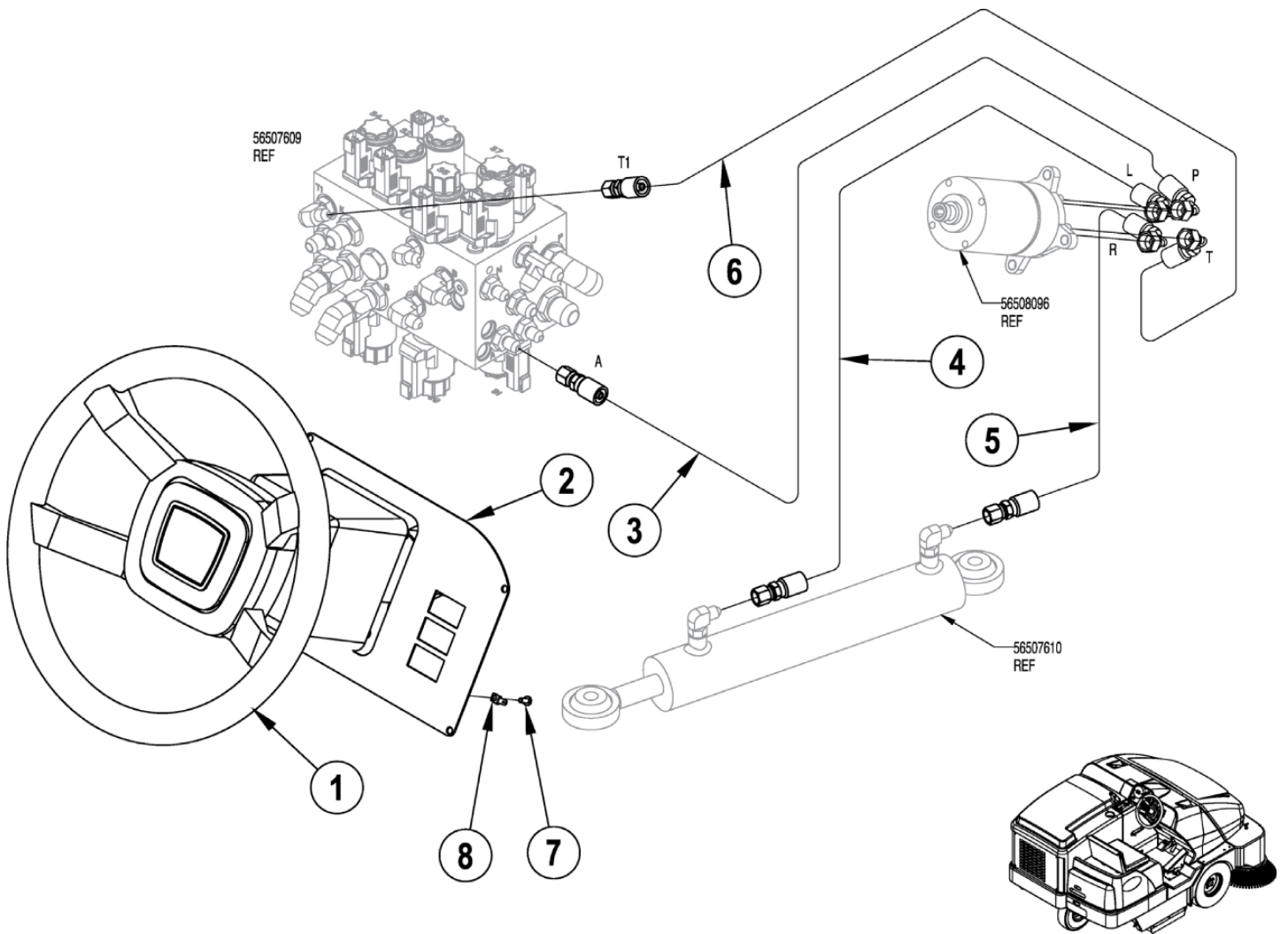
# 56507228 - Tilt Steering Option

SW8000

05-04-2015

Part List ID  
IS56040962

177



# 56507228 - Tilt Steering Option

SW8000

05-04-2015

Part List ID  
1S5604096Z

178

Pos	Part no.	Qty	Description
0	56507228	1	TILT STEERING OPTION
1	56507239	1	TILT STEERING ASSEMBLY
2	56107699	1	GUARD
3	56507360	1	HOSE HYDRAULIC
4	56507361	1	HOSE HYDRAULIC
5	56507362	1	HOSE HYDRAULIC
6	56507363	1	HOSE HYDRAULIC
7	56001818	1	SCR PAN PHIL 8 32 X .38
8	56508923	1	TAB-QUICK CONNECT .187 X 8

NOTE: Refer to 56042471 for replacement parts.

# 56107627 - CONTROL BOX KIT

SW8000

05-04-2015

Part List ID  
IS56090150

179

No Drawing For Part List

# 56107627 - CONTROL BOX KIT

SW8000

05-04-2015

Part List ID  
ISS6090150

180

Pos	Part no.	Qty	Description
0	56107627	1	KIT-CONTROL BOX
1	56107624	1	CONTROL BOX

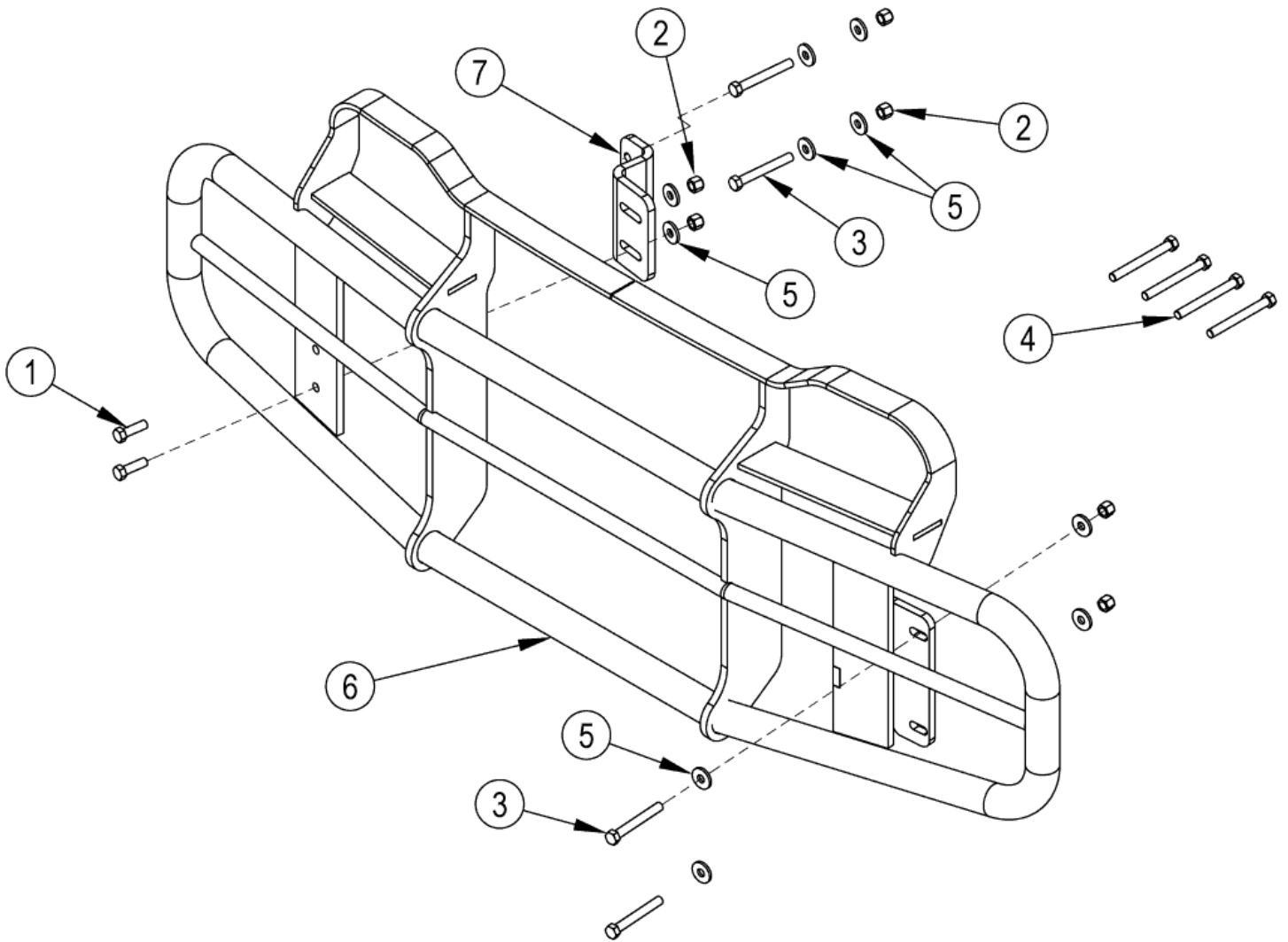
# 56107612 - FRONT BUMPER KIT

SW8000

05-04-2015

Part List ID  
IS56090151

181



# 56107612 - FRONT BUMPER KIT

SW8000

05-04-2015

Part List ID  
IS56090151

182

Pos	Part no.	Qty	Description
0	56107612	1	FRONT BUMPER KIT
1	56002095	2	SCR HEX 3/8-16 X 1.50
2	56003219	6	NUT HEX NYL LOC SS 3/8 16
3	56003783	4	SCR HEX SS 3/8-16 X 3.00
4	56003936	4	SCR-HEX SS 3/8-16 X 3.50
5	56009107	10	WSH FLT SS .378/.373X1.00X.075
6	56107628	1	FRONT BUMPER WELDT
7	56107633	1	BRACKET-RT



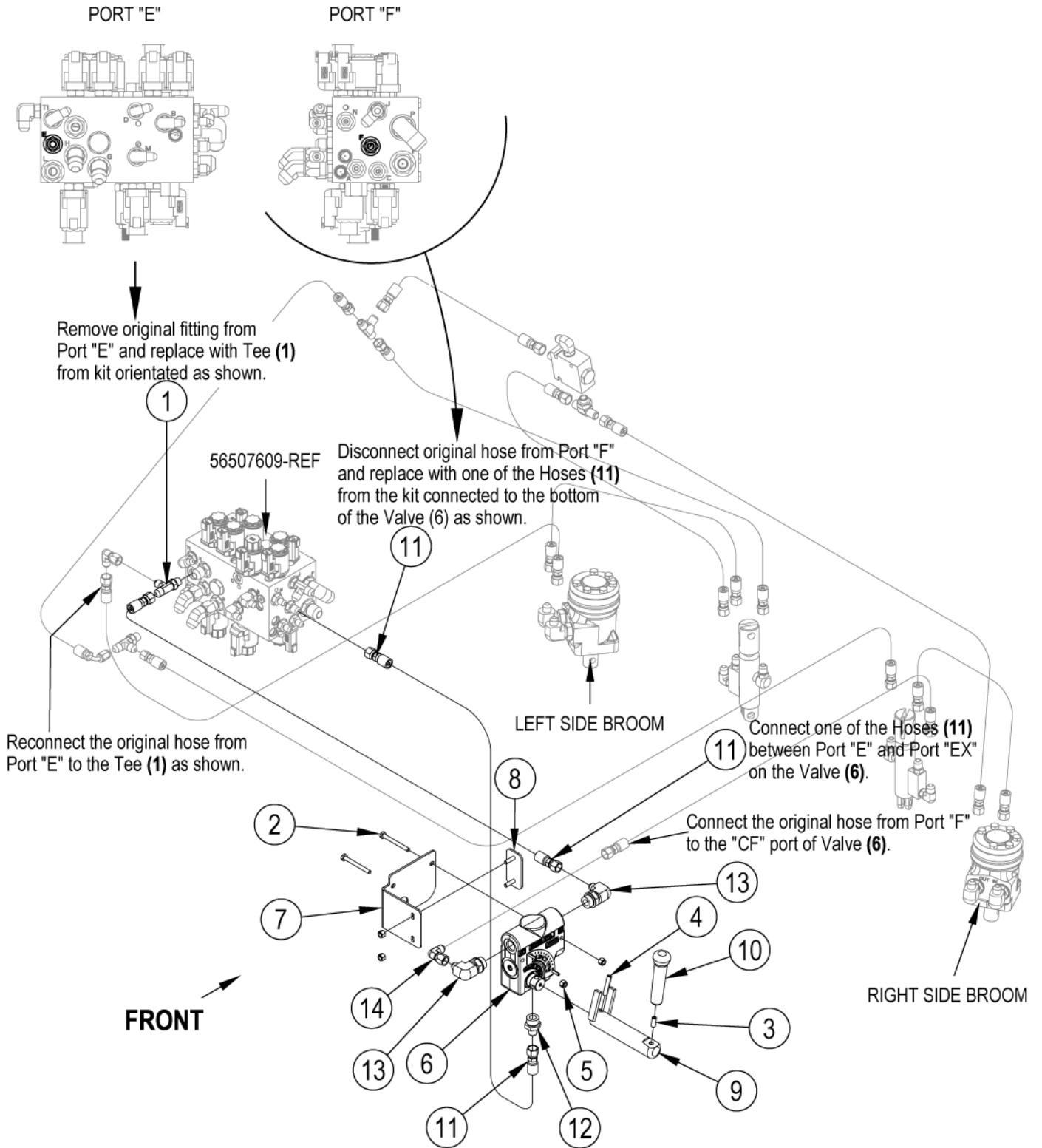
# 56107680 - Side broom speed control kit

SW8000

05-04-2015

Part List ID  
IS56090157

183



# 56107680 - Side broom speed control kit

SW8000

05-04-2015

Part List ID  
IS56090157

184

Pos	Part no.	Qty	Description	
0	56107680	1	KIT-SIDE BROOM SPEED CONTROL	
1	56900343	1	TEE E00009	
2	56001855	2	SCR HEX 1/4 20 X 2.50	A
3	56002085	1	SCR SOC SET LOC 5/16-18 X .75	B
4	56002225	1	PIN SPR .31 X 1.50	A
5	56002708	4	NUT HEX NYL LOC 1/4-20	5
6	56107677	1	FLOW CONTROL VALVE	A
7	56107678	1	BRACKET	A
8	56107679	1	PLATE	
9	56107681	1	HANDLE EXTENSION WELDT	A
A		1	NOTE COMMENT	Valve Assembly
B		1	NOTE COMMENT	Handle Assembly
10	56305010	1	KNOB BROOM	B
11	56507537	2	HOSE HYDRAULIC	
12	56900014	1	CONNECTOR O/R 6 10 E00001	A
13	56900113	2	ELBOW 90 DEG.O/R	A
14	56900303	1	ELBOW 90D W/NUT 6C6X S E00007	A
15	56107547	1	DECAL-SIDE BROOM SPEED	

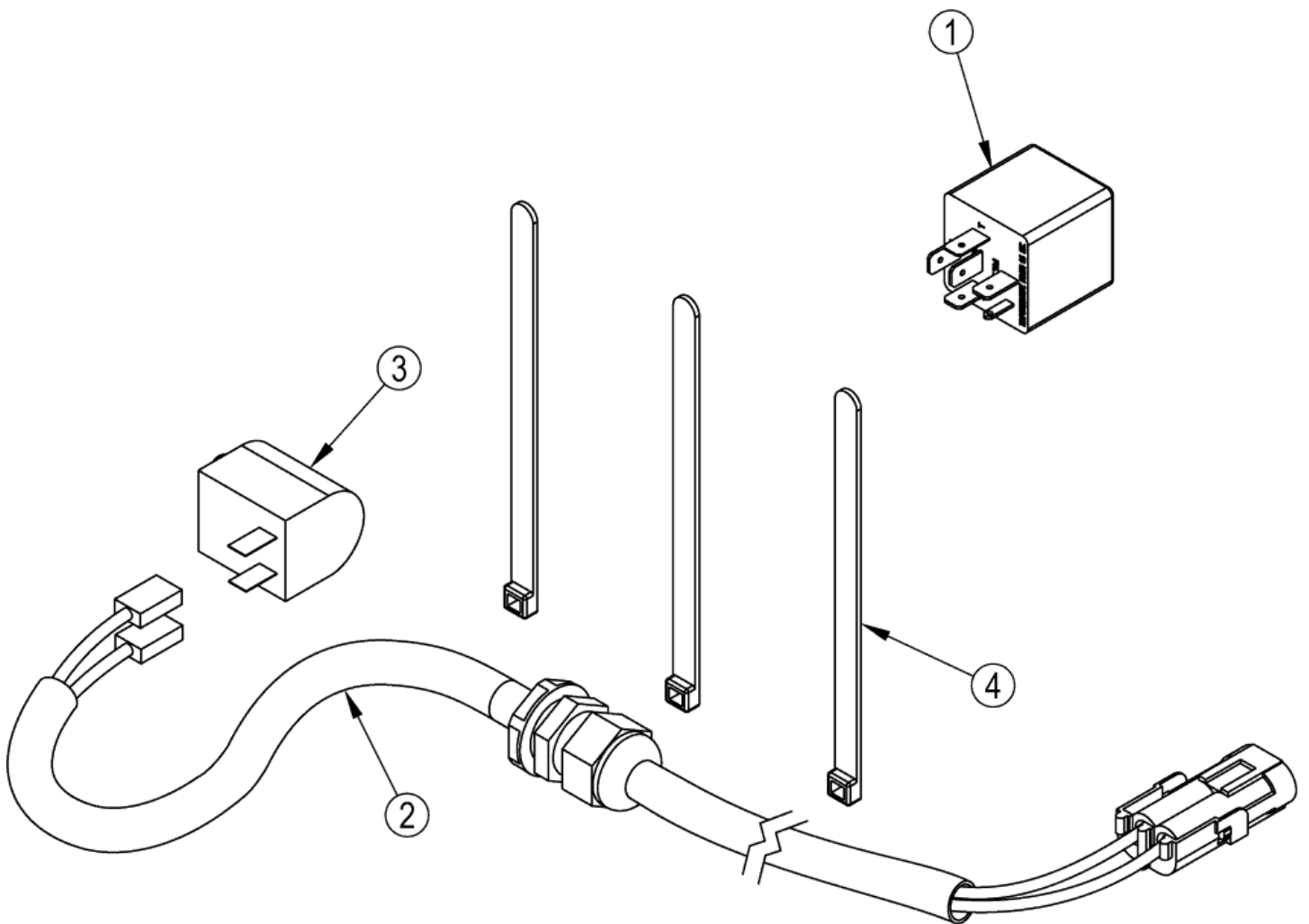
# 56107668 - OPERATOR PRESENCE SWITCH K

SW8000

05-04-2015

Part List ID  
IS56090161

185



# 56107668 - OPERATOR PRESENCE SWITCH K

SW8000

05-04-2015

Part List ID  
IS56090161

186

Pos	Part no.	Qty	Description
0	56107668	1	SWITCH KIT-OPERATOR PRESENCE
1	33019197	1	RELAY TIMER 0.5 SECONDS
2	56380833	1	HARNESS-SEAT JUMPER
3	7-82-00050	1	SWITCH
4	2-00-04345	3	TY-RAP THOMAS+BETTS-TY-28M

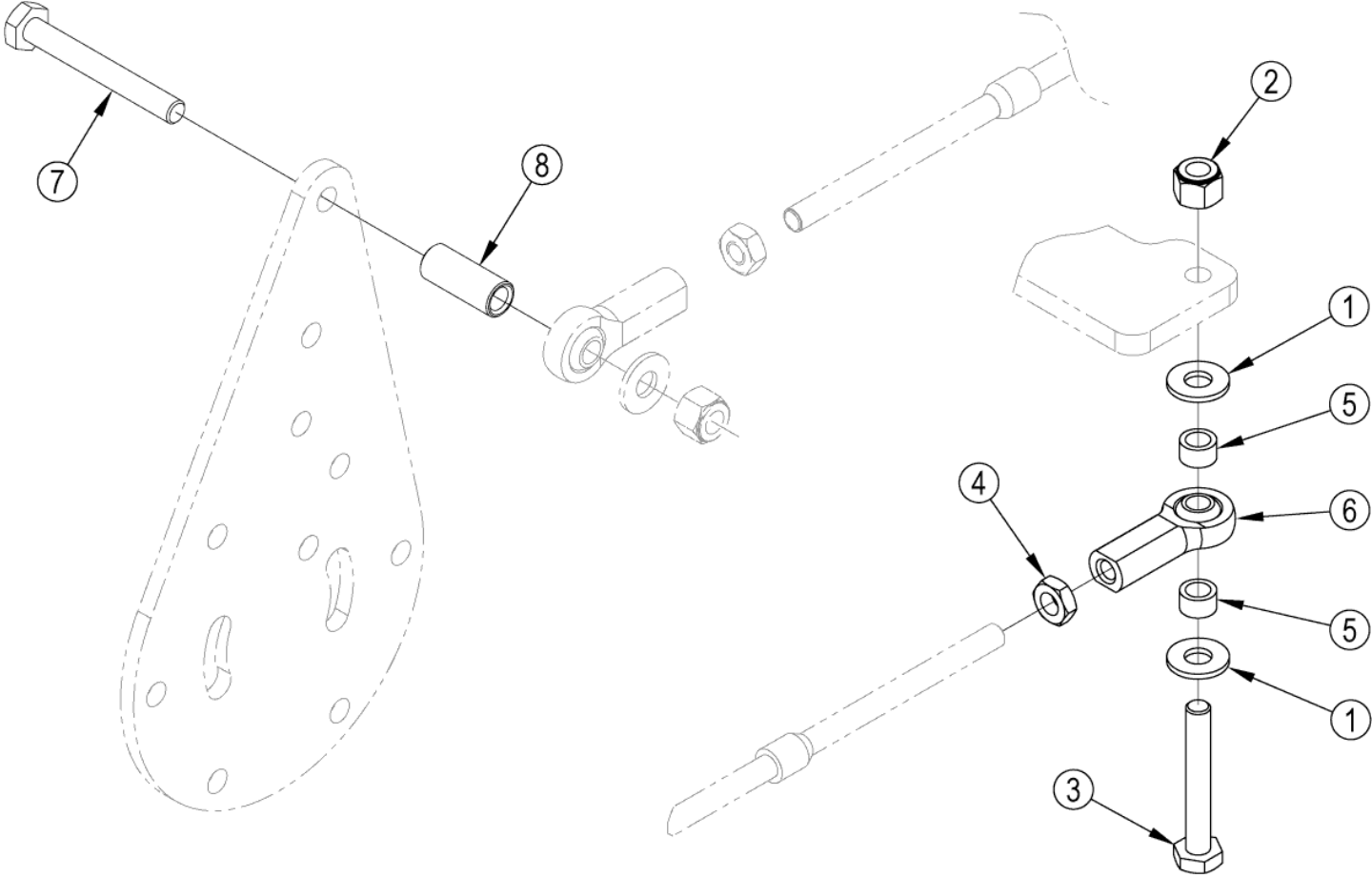
# 56383880 ROD END THROTTLE KIT

SW8000

05-04-2015

Part List ID  
IS56090236

187



# 56383880 ROD END THROTTLE KIT

SW8000

05-04-2015

Part List ID  
1S56090Z36

188

Pos	Part no.	Qty	Description
0	56383880	1	ROD END THROTTLE KIT
1	56002098	2	WSH FLT SAE 1/4
2	56002708	1	NUT HEX NYL LOC 1/4-20
3	56003484	1	SCR HEX GRD8 1/4-20 X 1.75
4	2-95-01999	1	NUT-HEX-JAM .25-28 ZN
5	56368997	2	BUSHING .25X.37X.21CV82H
6	7-25-02111	1	ROD END 1/4-28
7	56003962	1	SCR-HEX 1/4-20 X 2.00 GRADE 8
8	56383657	1	SPACER-.25 IDX.375 ODX.900

NOTE: All the machines listed above built before serial number 1000052640 need to install the Rod End Throttle Service Kit 56383880 to replace the Rod End on the Forward - Reverse Push Pull Control Cable connection to the Piston Pump Assembly. The Granterra / SR2000 Diesel Models