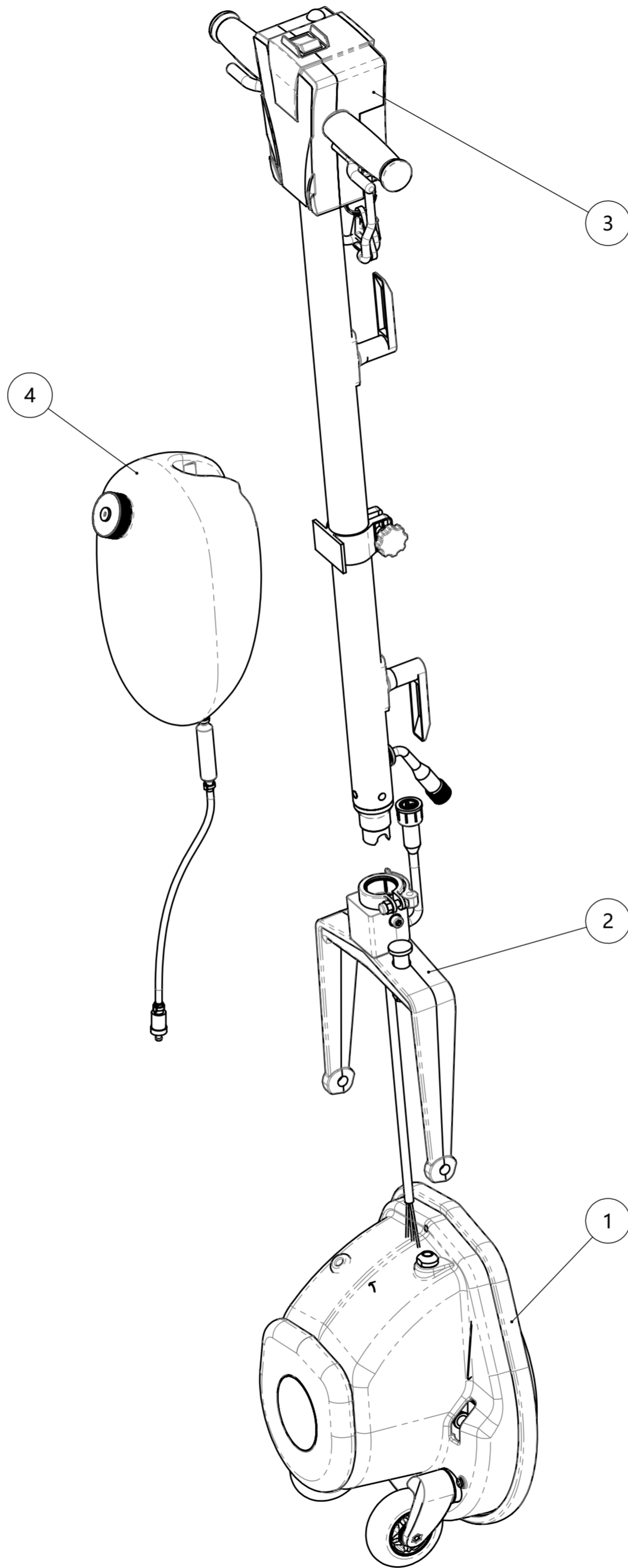


REV.	12	DESCRIPTION	11	REVISED BY	10	DATE	9
A	First release			Jason Xiao		07/23/2019	8

Other surfaces $\sqrt{6.3}$



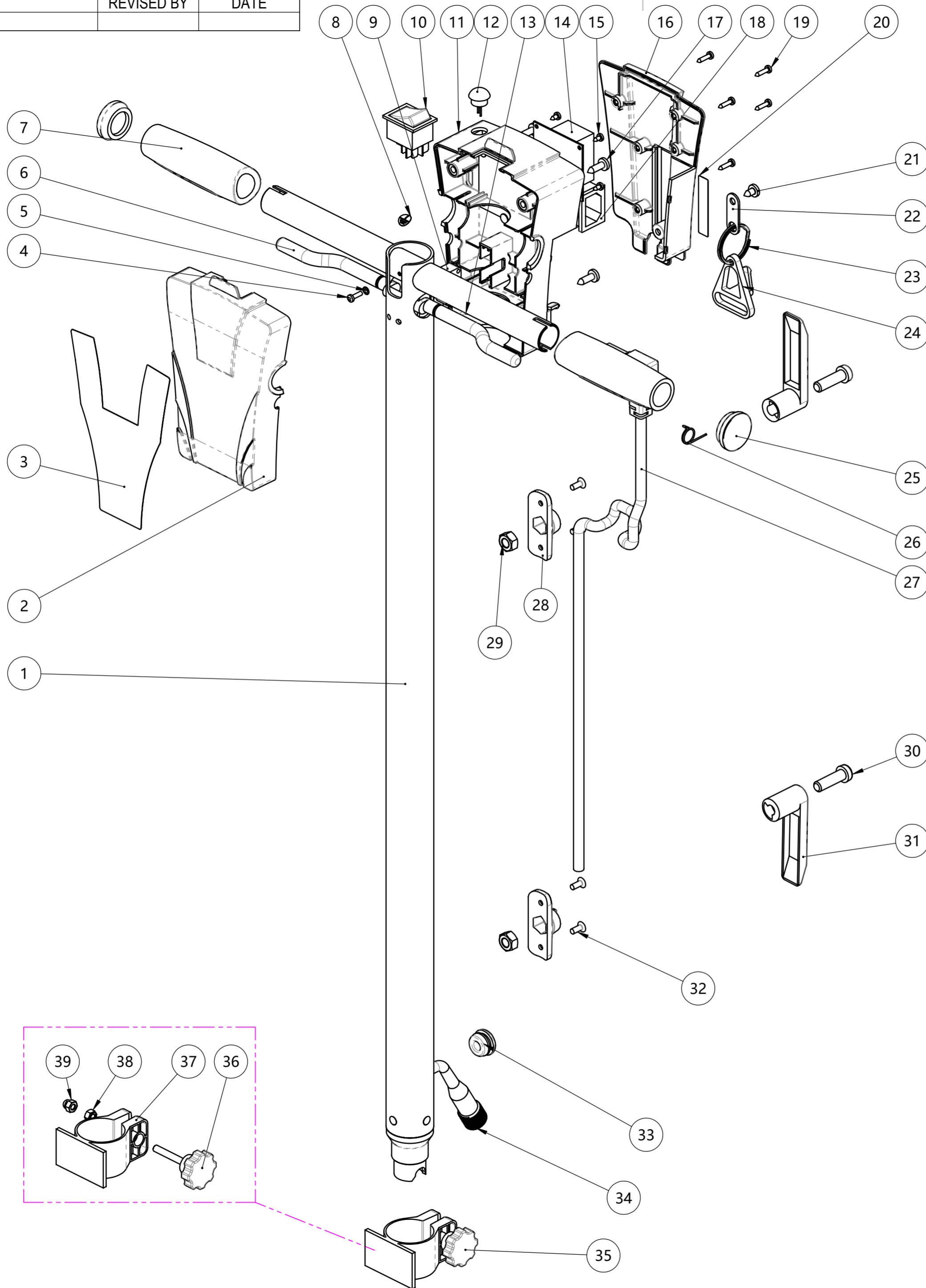
Notes / 技术要求:

1.

4	L.P.97.0005.2/EM3/VAC	LOGO PRINT + ASSY WATER TANK 1.7L EASY MOTION WHITE	Assembly	1
3	S.24.0075.3	ASSY EM3 PRO LONG HANDLE 790MM	Assembly	1
2	S.24.0010.2	ASSEMBLY PIVOT + FIX PIN FOR EM30P	Assembly	1
1	S.24.0015.3/797A	ASSY MOTOR HOUSING WITH WHEEL	Assembly	1
NO.	Part No.	DESCRIPTION	Material	QTY.

TOLERANCE UNSPECIFIED		REMARK:		 SMT-FCT DongGuan Ltd. THE FRIENDLY FAMILY ASSEMBLY AND MOULD OF CLEANING PRODUCTS	
LINE	ANGLE	MATERIAL			
.XXX=±0.005 .XX=±0.05 .X=±0.1 . =±0.2 XX=±0.5 XXX=±1	X=±2° .X=±1.5° .XX=±1° XXX=±0.5°	APPROVED	CHECKED	DESIGNED	REV. -
SHEET OF	DATE	Jason Xiao	UNIT	MM	PART NAME
4	23/07/2019	SCALE	1:2	DRAWING NO.	FRAME SIZE
					A2

REV.	12	11	10	9	8	7	6	5	4	3	2	1
	DESCRIPTION			REVISED BY	DATE							
A	First release											



39	97.2018.1	NYLON CAP NUT M5 BLACK	PA6	1
38	00.0195.0	NUT M5 STAINLESS STEEL	SS	1
37	97.0002.797	HOLDER WATERTANK EASY SCRUB	PA66	1
36	04.0103.2	THUMB SCREW M5X38	Assembly	1
NO.	Part No.	DESCRIPTION	Material	QTY.
35	S.97.0002.X	COMPLETE TANK HOLDER EASY SCRUB	Assembly	1
34	24.0096.11	WIRING HARNESS AC POWER FOR LONG HANDLE	Assembly	1
33	24.0013.0	CABLE INSERT	PA6	1
32	02.0005.0	SEALED RIVET ALU 4*10MM	6061 Alloy	4
31	22.0301.0	CABLE HOOK EXTERNAL NEW	ABS	2
30	00.0108.1	SCREW M8X27 HEXAGON	Steel	2
29	61.0107.2	NUT NYLON M8	Steel	2
28	24.0001.0/A	CABLE HOLDER ADAPTOR	ABS	2
27	24.0039.x	CORD SET DETACHABLE 3P 11M	Assembly	1
26	24.0043.0B	Spring for EM30 handle	SS	1
25	72.0233.797	END CAP GRIP WITHOUT LOGO	PP Copolymer	2
24	03.0041.0	CABLE RESTRAIN PART CABLE SIDE	PA6	1
23	03.0040.0	METAL RING DIAMETER 30MM	70#	1
22	55.0094.0	CABLE GRIP 1.5MM 6/778 ISS4 [65518]	20#	1
21	20.0031.1	SCREW 5 X 10 (FIXING RING)	Steel	1
20	89.0467.1666.06	WARNING STICKER EASY MOTION 12	Paper	1
19	00.0002.61	SCREW M3 X 12 SELF TAPPING STAINLESS	Steel	5
18	75.0002.8	RECEPT INLET 3P FOR C6/9/MJP	Assembly	1
17	00.0002.41	SELF-TAPPING SCREW ST5.05 X 16	Steel	4
16	24.0004.0	HANDLE COVER REAR	PP	1
15	00.0002.41	CROSS RECESSED PAN HEAD SELF-TAPPING SCREW 3X8	Steel	4
14	24.0008.0	12V POWER SUPPLIER PCB	Assembly	1
13	24.0007.0	DC connector	Assembly	1
12	04.0009.1	Push switch	PP Copolymer	1
11	24.0003.0	HANDLE COVER MIDDLE	PP	1
10	04.0009.30	Switch	Assembly	1
9	72.0060.1	Microswitch	Assembly	1
8	00.0101.0	STAMP EARTH WIRE	Paper	1
7	72.0230.357	HANDLE GRIP WITHOUT PROTRUSION	NBR	2
6	72.0063.X	HANDLE CONTROL UNIT	PP+20TF	1
5	24.0055.0	M3 EXTERNAL FAN WASHER	Steel	1
4	20.0033.1	SCREW M3 X 10 CROSSHEAD STAINLESS	SS	1
3	89.0467.0015.05P	EM30 Pro handle sticker	PVC	1
2	24.0002.0	HANDLE COVER FRONT	PP	1
1	24.0075.1	EM3 long handle for AC	Al alloy	1
NO.	Part No.	DESCRIPTION	Material	QTY.

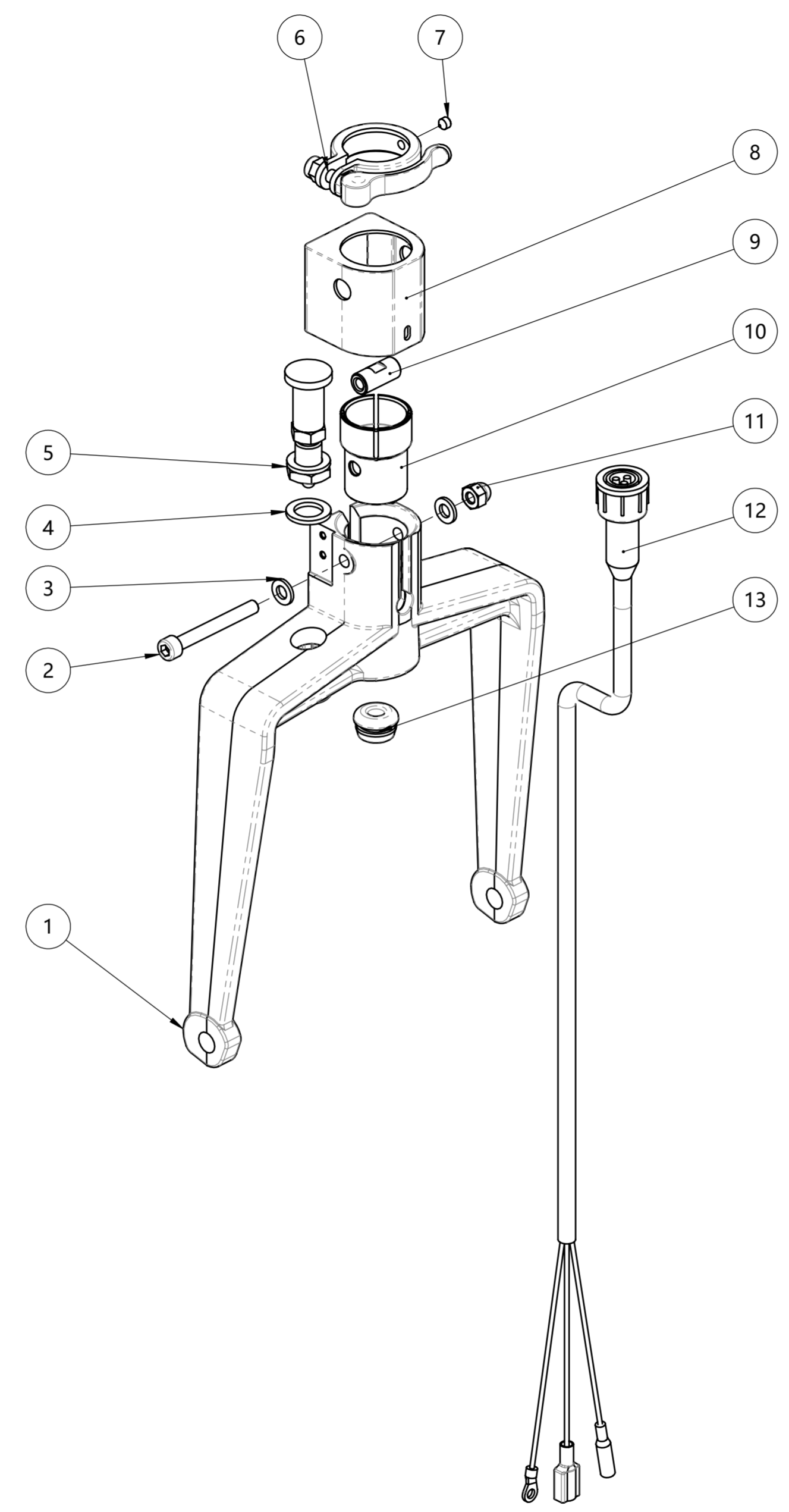
TOLERANCE UNSPECIFIED		REMARK:		 SMT-FCT DongGuan Ltd. ASSEMBLY AND MOULD OF CLEANING PRODUCTS			
LINE	ANGLE	MATERIAL	APPROVED				
XXX=±0.005	X=±2°				Jason Xiao	UNIT	MM
.XX=±0.05	.X=±1.5°				15/05/2018	SCALE	1:2.5
X=±0.1	.XX=±1°					DRAWING NO.	S.24.0075.3
.=±0.2	XXX=±0.5°						FRAME SIZE
XX=±0.5							A2
XXX=±1							

Notes / 技术要求:

1.

REV.	DESCRIPTION	REVISED BY	DATE
-	First release	Jason Xiao	07/19/2019

Other surfaces $\sqrt{6.3}$



Notes / 技术要求:

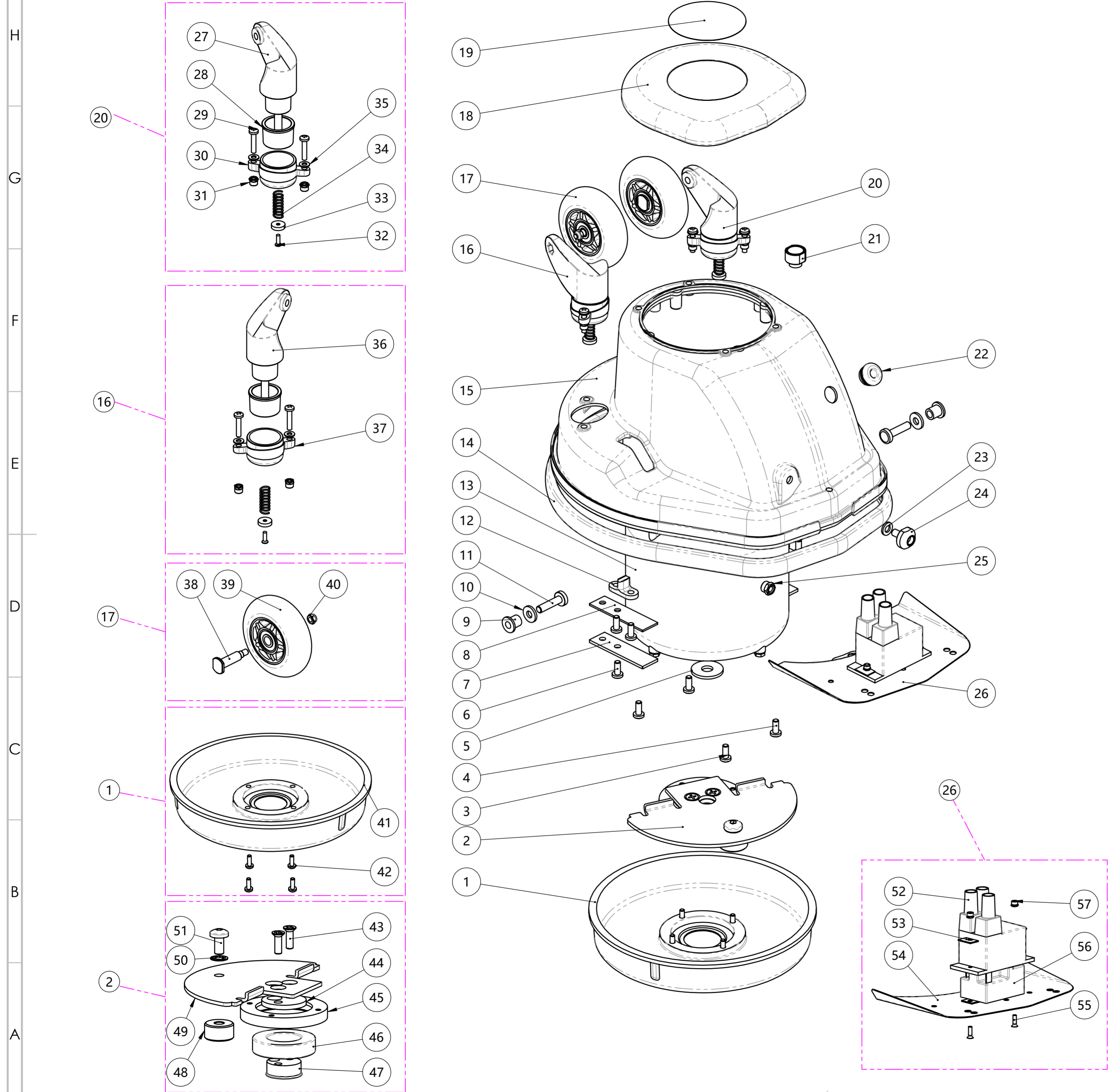
1.

13	24.0013.0	CABLE INSERT	PA6	1
12	24.0096.10	Wiring for AC motor	Assembly	1
11	80.0000.36	GB/T 802.1 DOMED NUTS M6	SS	1
10	24.0077.0	Tube clip sleeve	Stainless steel	1
9	24.0091.0	handle supporting pin	Stainless steel	1
8	24.0092.0	Handle rubber sleeve	EPDM	1
7	00.0068.0	GB_FASTENER_SCREWS_HSCP M5X5-N	SS	1
6	24.0076.0	Tube clip	6061 Alloy	1
5	24.0093.0	EM3B FIXING PING	Stainless steel	1
4	24.0090.0	PLAIN WASHER ID13 x OD20 x T2	Stainless steel 304	1
3	00.0106.2	WASHER 12X6X0.8MM STAINLESS STEEL	SS	2
2	67.0171.1	GB/T70.1 M6X50	SS	1
1	24.0012.1A	SUPPORT BRACKET HANDLE	Zinc Alloy	1
NO.	Part No.	DESCRIPTION	Material	QTY.

TOLERANCE UNSPECIFIED		REMARK:		 SMT-FCT DongGuan Ltd. ASSEMBLY AND MOULD OF CLEANING PRODUCTS			
LINE	ANGLE						
.XXX=±0.005	X=±2°			APPROVED	CHECKED	DESIGNED	REV.
.XX=±0.05	.X=±1.5°					Jason Xiao	UNIT
.X=±0.1	.XX=±1°						MM
.=±0.2	XXX=±0.5°						PART NO.
XX=±0.5							S.24.0010.2
XXX=±1							FRAME SIZE
							A2
SHEET OF	DATE			18/01/2019	SCALE	1:2	DRAWING NO.

REV.	12	DESCRIPTION	11	REVISED BY	10	DATE
A	First release					

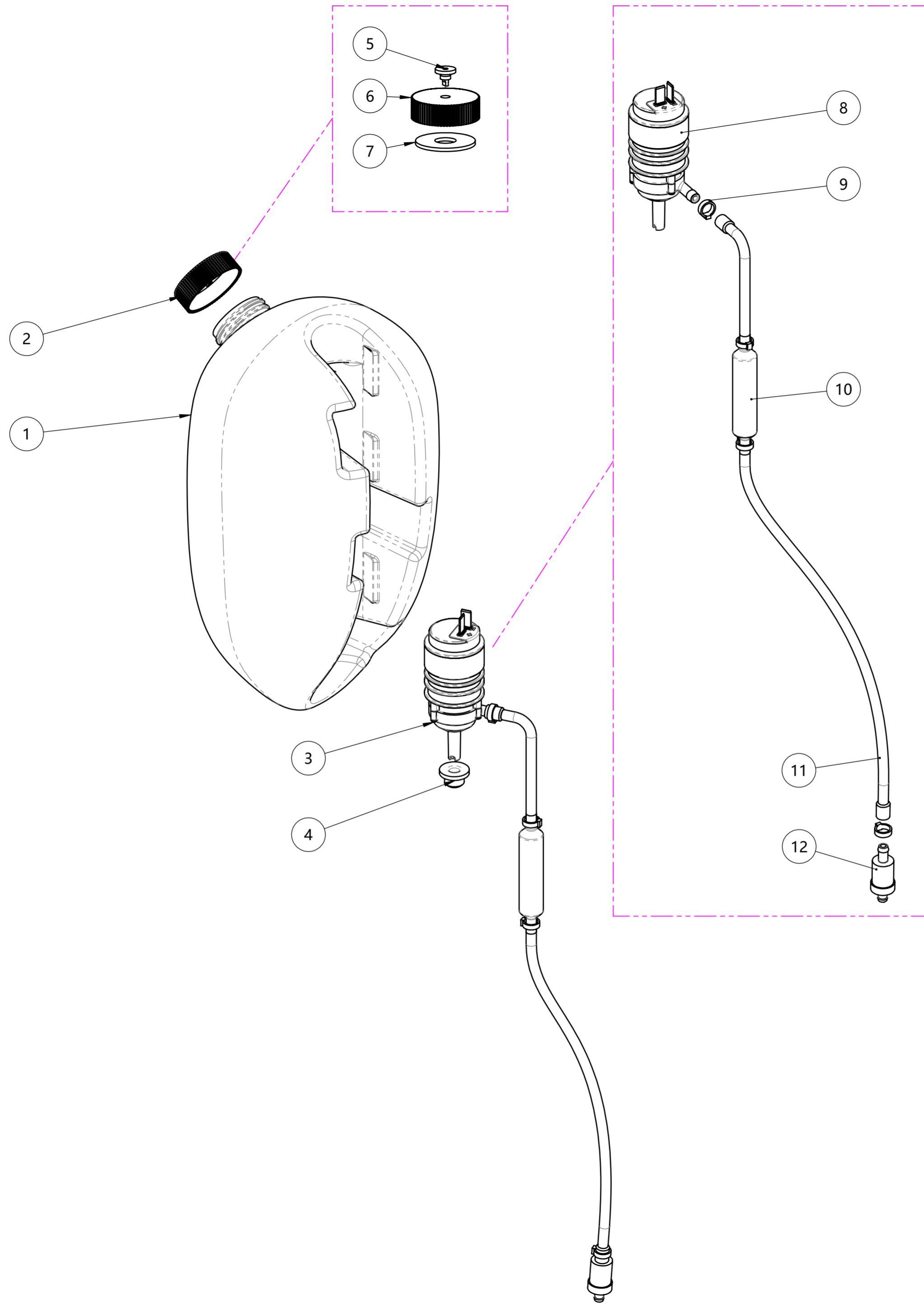
Other surfaces 6.3



NO.	Part No.	DESCRIPTION	Material	QTY.
57	20.0032.0	NUT M3 NYLON STAINLESS	SS	2
56	24.0033.X	RELAY EM3		1
55	106.1111.19	M3X12 FLAT HEAD MACHINING SCREW	SS	2
54	24.0032.0	RELAY HOLDER PLATE	SS	1
53	24.0072.0	STAINLESS STEEL GASKET		2
52	24.0071.0	CAPACITIVE WATERPROOF TREE RUBBER		1
NO.	Part No.	DESCRIPTION	Material	QTY.
51	55.0027.0	M8 X 16 SOCKET BUTTON HEAD SCREW GR 10.9	45# Steel	1
50	55.0028.0	M8 EXTERNAL FAN WASHER [71010]		1
49	24.0030.0	DRIVER PLATE	Q235A	1
48	24.0031.0	DRIVER BLOCK	45# Steel	1
47	24.0028.0	CONNECTION PART DRIVER CONSTRUTION	45# Steel	1
46	24.0026.0	BEARING 6006RS	Assembly	1
45	24.0027.0	HOLDER OF BEARING	45# Steel	1
44	24.0029.0	WASHER BEARING	6061 Alloy	1
43	24.0025.0	COUNTER SUNK SCREW M6X19	20#	2
NO.	Part No.	DESCRIPTION	Material	QTY.
42	00.0121.2	SCREW M4X12 CROSSHEAD MACHINE STAINLESS	SS	4
41	24.0034.0	DRIVE DISK	PA6+15%GF	1
NO.	Part No.	DESCRIPTION	Material	QTY.
40	04.0048.0	NUT M5 NYLON STAINLESS	Stainless steel 304	1
39	72.0029.2/797	WHITE CASTOR + BLUE BRACKET	Material <not specified>	1
38	72.0027.3C	SHAFT TRANSPORT CASTOR [V3]	Stainless steel 304	1
NO.	Part No.	DESCRIPTION	Material	QTY.
37	24.0064.0	WHEEL BRACKET COVER LEFT	Material <not specified>	1
36	24.0061.0	WHEEL BRACKET LEFT	Assembly	1
NO.	Part No.	DESCRIPTION	Material	QTY.
35	00.0106.1	GB_FASTENER_WASHER_PWNA 4	SS	2
34	24.0062.0	SPRING 9X28.5MM WIRE DIAMTER 1MM	Stainless steel 304	1
33	24.0066.0	SPRING HOLDER	Stainless steel 304	1
32	106.1111.22	M3X8 FLAT HEAD MACHINING SCREW	Stainless steel 304	1
31	67.0181.0	NUT M4 NYLON STAINLESS	SS	2
30	24.0065.0	WHEEL BRACKET COVER RIGHT	AL Alloy	1
29	24.0014.4	SCREW M4X20 , PAN HEAD, CROSS, STAINLESS	SS	2
28	24.0059.0A	WHEEL BRACKET BUSHING	POM	1
27	24.0060.0A	WHEEL BRACKET RIGHT	Assembly	1
NO.	Part No.	DESCRIPTION	Material	QTY.
26	S.24.0032.1	ASSY RELAY HOLDER PLATE	Assembly	1
25	67.0181.0	M6 HEX NUT NYLON INSERT STAINLESS STEEL	SS	1
24	24.0094.0	EM3 FIXING PIN LOCKER	Stainless steel	1
23	00.0106.2	WASHER 12X6X0.8MM STAINLESS STEEL	SS	1
22	24.0013.0	CABLE INSERT	PA6	1
21	24.0056.0	METAL POST	Brass	1
20	S.24.0064.0A	ASSY WHEEL BRACKET COVER LEFT	Assembly	1
19	89.0467.0015.04P	STICKER i-Scrub 30	PVC	1
18	24.0016.797	ROTO COVER [BLUE]	LHDPE	1
17	S.72.0027.3	ASSY TRANSPORT CASTOR [V2]	Assembly	2
16	S.24.0065.0A	ASSY WHEEL BRACKET COVER LEFT	Assembly	1
15	24.0015.1C	MOTOR HOUSING FOR WHEELS	Zinc Alloy	1
14	24.0102.X	PVC BUMPER FOR EM30	PVC	1
13	24.0018.X	AC MOTOR 250W	Assembly	1
12	24.0019.0	HOLDER OF SHAFT SUPPORT BRACKET	Zinc Alloy	2
11	24.0020.0	SHAFT SUPPORT BRACKET	Stainless steel	2
10	24.0021.0	WASHER OF SHAFT SUPPORT BRACKET	POM	2
9	24.0022.0	PLASTIC BUSHING	POM	2
8	24.0023.0	SHIM PLASTIC	POM	2
7	24.0023.1	SHIM STEEL	Stainless steel	2
6	25.0032.31	PH SCREW M5 X 12 STAINLESS	Stainless steel	8
5	00.0109.2	WASHER M10 STEEL (DIM10XDIM28XT2.5)	Q235A	1
4	25.0033.31	SCREW M5 X 20 STAINLESS	SS	1
3	25.0032.3	PH SCREW M5 X 16 NYLON	Steel	3
2	S.24.0030.0	ASSY DRIVER PLATE	Assembly	1
1	S.24.0034.0	ASSY DRIVE DISK	Assembly	1
NO.	Part No.	DESCRIPTION	Material	QTY.

TOLERANCE UNSPECIFIED		REMARK:		 SMT-FCT DongGuan Ltd. ASSEMBLY AND MOULD OF CLEANING PRODUCTS	
LINE	ANGLE	MATERIAL	Assembly		
XXX=±0.005	X=±2°	APPROVED	CHECKED	DESIGNED	REV.
.XX=±0.05	.X=±1.5°			Jason Xiao	UNIT
X=±0.1	.XX=±1°				MM
.=±0.2	XXX=±0.5°				PART NO.
XX=±0.5					S.24.0015.3/797A
XXX=±1					FRAME SIZE
					A2
SHEET OF	DATE			22/07/2019	SCALE
				1:2	DRAWING NO.

REV.	12	DESCRIPTION	11	REVISED BY	10	DATE	9
A	First release			Jason Xiao		07/23/2019	8



Notes / 技术要求:

1.

NO.	Part No.	DESCRIPTION	Material	QTY.
12	S.97.0079.32/1	ASSY SPRAY NOZZLE	Assembly	1
11	106.2190.0	SILICON TUBE 8X4.5MM L=0.6M	SILICON	1
10	97.0044.0	DRIPPING POT	LLDPE	1
9	92.0031.2	CABLE TIE 1.8x100mm	PA6	4
8	97.0039.1	WATER PUMP 24 VDC WITH PC SHELL	Assembly	1
7	90.2306.0	WHITE WASHER (20003-4-01)	NEOPRENE	1
6	90.2304.797	Cap	PP Copolymer	1
5	97.0043.0	Breathing valve	NBR	1
4	97.0006.0	RUBBER RING WATERTANK	NBR	1
3	S.97.0039.8/EM3	WATERPUMP COMPLETE W/IT HOSE + NOZZLE + CORD	Assembly	1
2	S.90.2304.797	CAP(20003-4)+ BREATHING VALVE	Assembly	1
1	97.0005.2	WATERTANK 1.7LTR EASY SCRUB WHITE	LLDPE	1
NO.	Part No.	DESCRIPTION	Material	QTY.

TOLERANCE UNSPECIFIED		REMARK:		 SMT-FCT DongGuan Ltd. ASSEMBLY AND MOULD OF CLEANING PRODUCTS			
LINE	ANGLE	MATERIAL	Assembly				
.XXX=±0.005	X=±2°						-
.XX=±0.05	.X=±1.5°						PART NAME
.X=±0.1	.XX=±1°						Tank Assembly
.=±0.2	XXX=±0.5°						PART NO.
XX=±0.5							L.P.97.0005.2/EM3/VAC
XXX=±1							FRAME SIZE
SHEET OF	DATE			31/01/2018	SCALE	1:2	DRAWING NO.
				UNIT	MM		