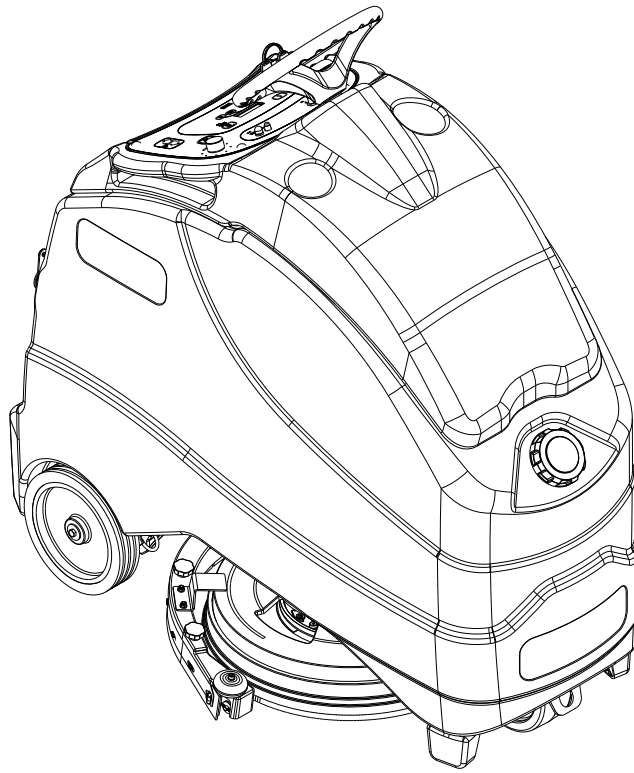




11/12
FORM NO. 56042592

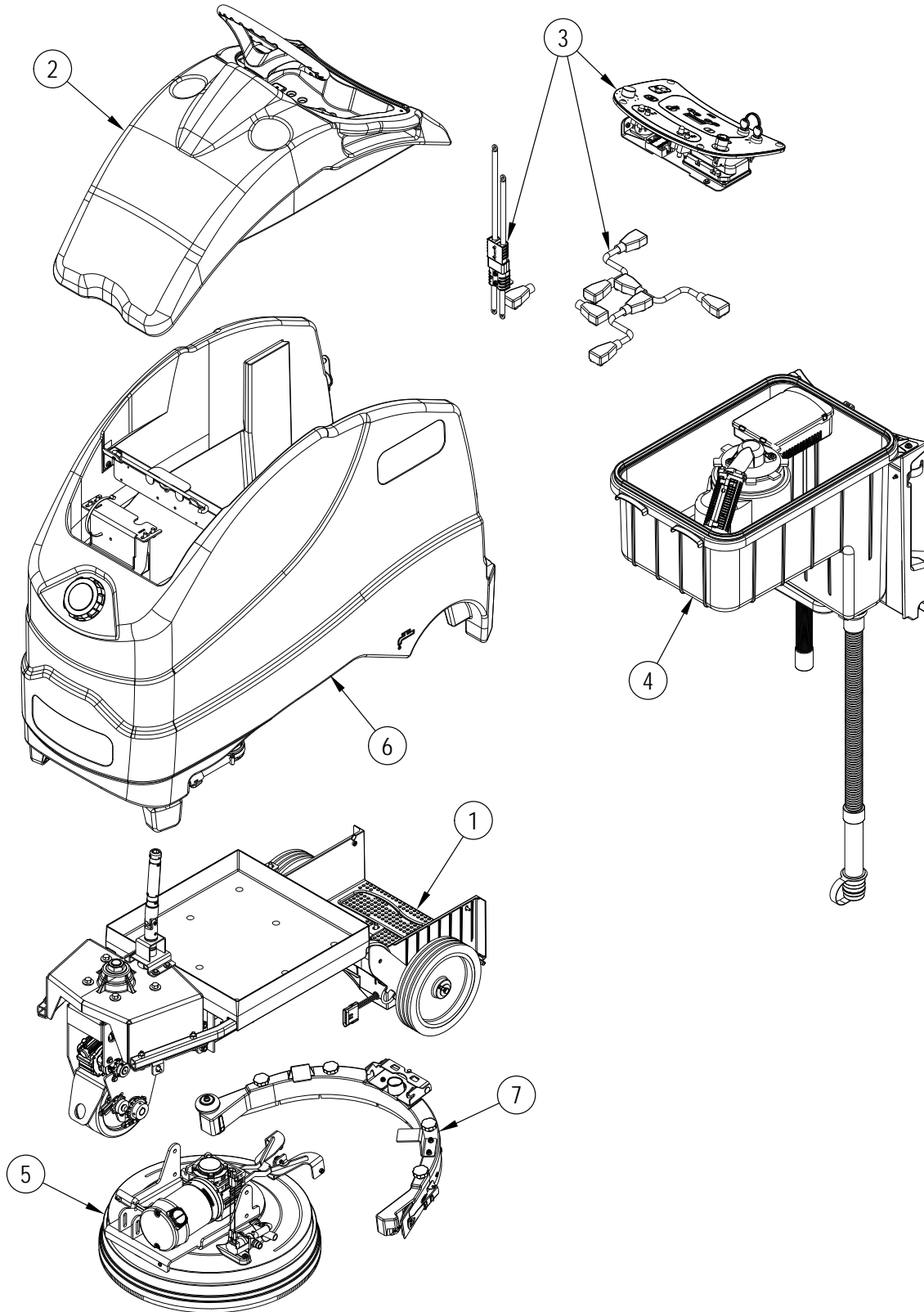


Models: 56104002(SC1500-51D)

SC1500 PARTS LIST



GENERAL VIEW



Item	Ref. No.	Qty	Description	Item	Ref. No.	Qty	Description
1		1	Chassis System	5		1	Scrub System-20D
2		1	Control System	6		1	Solution System
3		1	Electrical System	7		1	Squeegee Assy
4		1	Recovery System				

TABLE OF CONTENTS

DESCRIPTION	PAGE
Chassis System.....	2-3
Drive Wheel Assembly.....	4-5
Platform Assembly.....	6-7
Control System.....	8-9
Decal System.....	10-11
Electrical System.....	12-13
Recovery System.....	14-15
Scrub System-20D.....	16-17
Solution System.....	18-19
Squeegee System.....	20-21
Ladder Diagram-1.....	22-23
Ladder Diagram-2.....	24-25
Optional Kits and Accessories.....	26
Recommended Spare Parts.....	27
Brush Selector Guide-Disk.....	28
Squeegee Blade Selector Guide.....	29

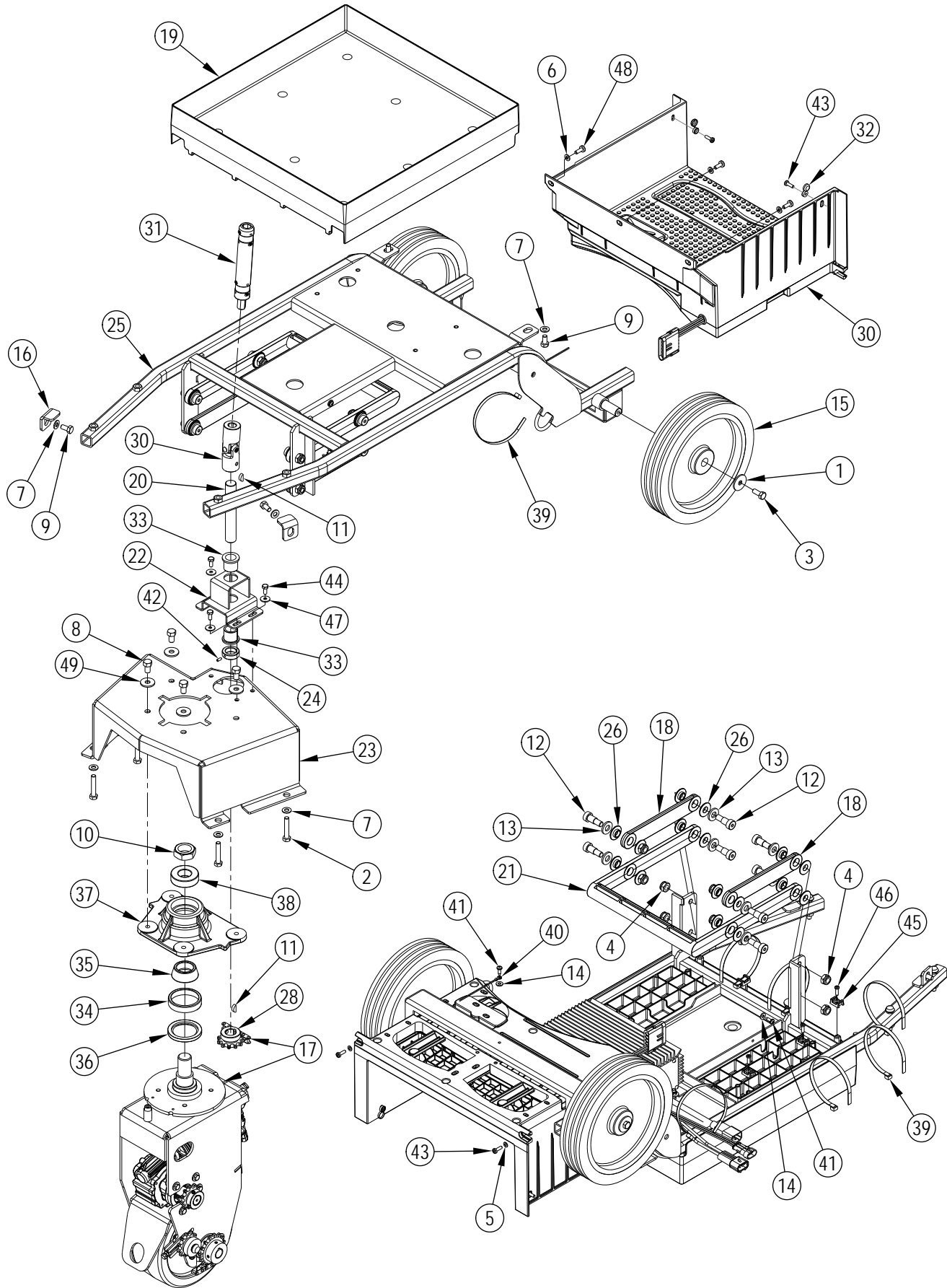
WHEN ORDERING PARTS

- * Use the part numbers from the "Ref. No." columns in this parts list. If the "Ref. No." column is blank; look under the "Kit" column to identify which kit contains the part in question, then use the kit callout, for example "K1", to find the "Ref. No." for that kit.
- * Specify the model and serial number of the machine.
- * Use the space below to record the model and serial number for future reference.

Model _____ Serial No. _____

Kit	Item	Ref. No.	Qty	Description
K1	1		16	Washer Flat 3/16 Zinc Plat
K1	2		2	Screw-BHS-Brass-10-32x3/8-MS
K1	3		3	Washer EPDM 7/32 X 1/8
	4	805	1	Chain-Cover
	5	905	2	Caster Swivel 4 Gray Non MA
K1	6		2	Nut, Hex Nyl Loc 10-24
K1	7		3	Scr- Hex SS 1/4-20 X .75
K1	8		16	Scr, Hex Hd Loc 1/4-20 x .50
K1	9		3	Wsh, Flt SS .260 X 1.000 X .074
	10	56113012	1	Solution Tank
	11	56113034	2	Hinge Plate
K1		56113103	1	Kit-Hardware Solution Tank

CHASSIS SYSTEM

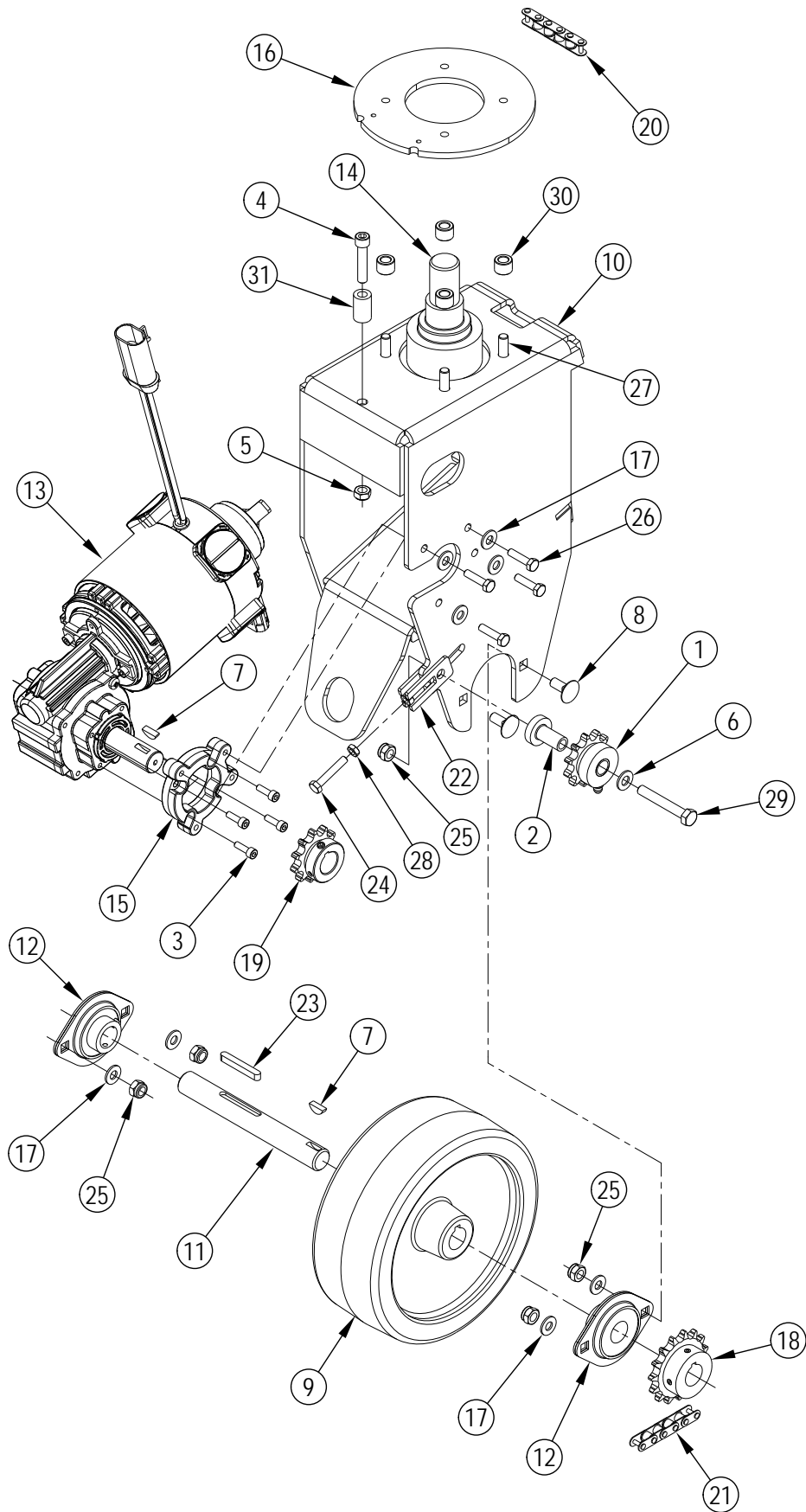


CHASSIS SYSTEM

Kit	Item	Ref. No.	Qty	Description	Kit	Item	Ref. No.	Qty	Description
K2,K4	1		2	Washer, Flat XI 9X32		28	56104269	1	Sprocket-11 Tooth
K4	2		4	Screw, Hex Hd M8x45-	K1	29		1	Universal Joint
K2,K4	3		2	Screw, Hex Thd To Hd M8x20 Ss		30	56104276	1	Platform Assembly
K4	4		8	Nut, Hex Nyl Loc Thin M10		31	56104319	1	Tube-Steering Assembly
K4	5		2	Washer, Flat 5,3X10	K4	32		2	Screw Cap
K4	6		3	Washer, Flat 6,4X12,5		33	56104407	2	Bearing-Flange
K4	7		8	Washer, Flat 8.4X16X1.6	K3	34		1	Bearing Cup
K4	8		4	Scr-Hex Hd Loc 3/8-16x.62	K3	35		1	Bearing Cone
K4	9		4	Scr-Hex M8-1.25 X 16MM	K3	36		1	Seal,Shaft
K3	10		1	Nut, Hex Nyl Loc-Thin 1-14		37	56314032	1	Block, Bearing
K4	11		2	Key-Wdf 5MMX6.5MMX16MM	K3	38		1	Bearing Ball
K4	12		8	Scr-Soc Shd M12x16mmx M10-1.50	K4	39		6	Tie, Cable
K4	13		8	Wsh-Flt 12mm	K4	40		1	Chain - Ball
K4	14		2	Wsh, Int Shprf #10	K4	41		2	Scr, Pan Hd Thd Form
K2	15		2	Wheel	K4	42		1	Scr, Soc Set
	16	56104091	2	Mounting Tab	K4	43		4	Scr, Pan Phil M5x16
	17	56104093	1	Drive Wheel Assembly	K4	44		3	Screw, Hex Thd To Hd M6x14
	18	56104094	2	Bar Linkage	K4	45		5	Flat Tie Holder
	19	56104105	1	Battery Tray	K4	46		5	Thread Rolling Scr 5X16
	20	56104130	1	Steering Shaft	K4	47		3	Washer, Flat XI
	21	56104135	1	Link Bar	K4	48		3	Scr, Pan Phil M6x16
	22	56104148	1	Steering Shaft Weldt	K4	49		4	Washer, Flat XI 9.5X27X2.5
	23	56104151	1	Spindle Mount Weldment					
	24	56104157	1	Collar	K1	56104328		1	Kit-Universal Joint
	25	56104170	1	Chassis Weldment	K2	56104331		1	Kit-Rear Wheel
K4	26		16	Bushing Link Arm	K3	56104332		1	Kit-Bearing Block
[27]	56104239		1	Harness-Drive Motor	K4	56104333		1	Kit-Chassis Hardware

[] = Not Shown

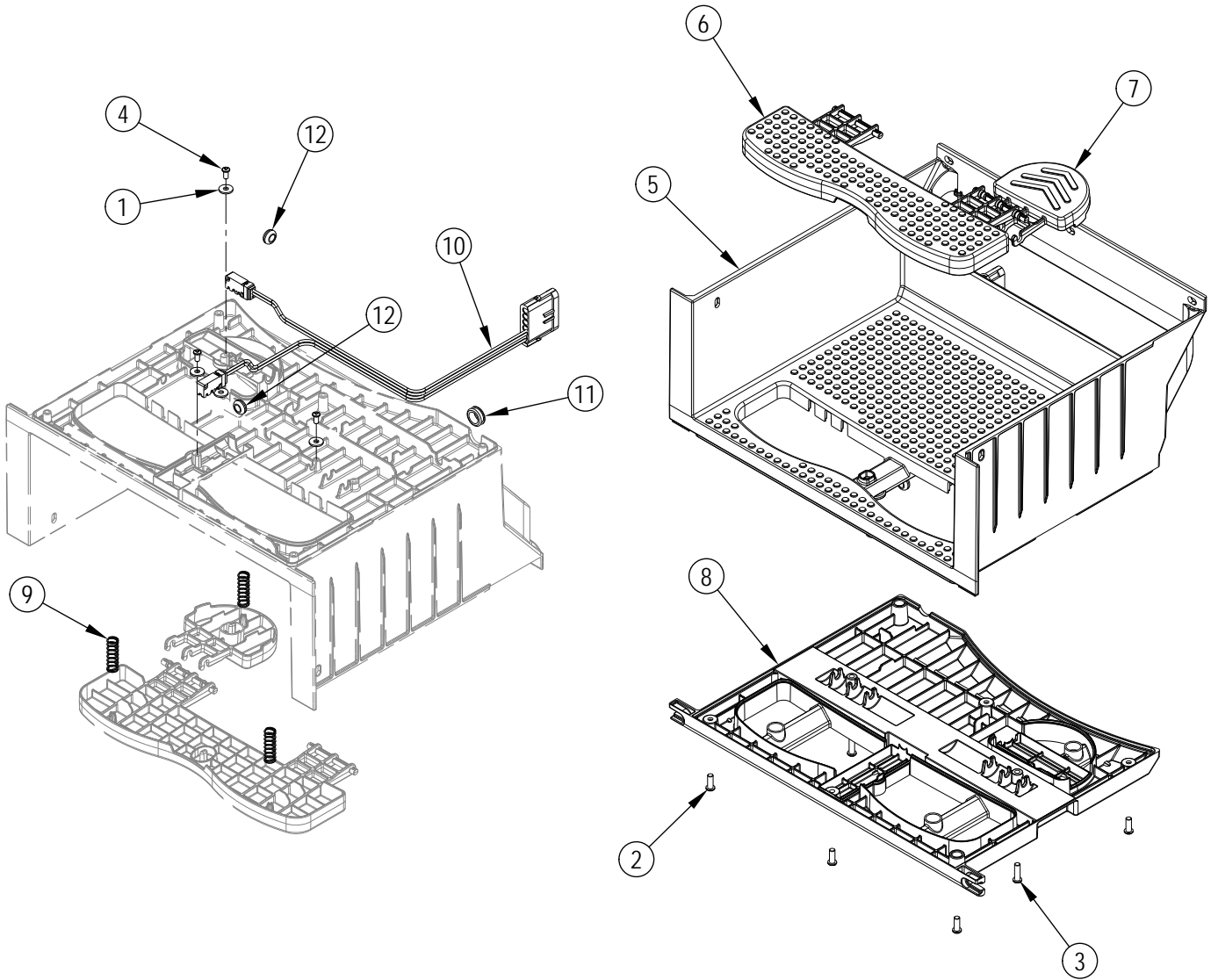
DRIVE WHEEL ASSEMBLY



DRIVE WHEEL ASSEMBLY

Kit	Item	Ref. No.	Qty	Description
		56104093	1	Drive Wheel Assembly
K7	1		1	Sprocket Assy
K7,K8	2		1	Bushing, Flanged
K5,K8	3		4	Viti Tcei/Scr, Soc Hd
K8	4		1	Scr-Soc Hd 5/16-18 X 1.50
K8	5		1	Nut, Hex Nyl Loc-Thin 5/16-18
K7,K8	6		1	Wsh-Flt Sae Ss 5/16
K5,K6,K7	7		2	Key-Wdf 5mmx6.5mmx16mm
K6,K8,K9	8		4	Scr-Carriage Ss M8-1.25 X 20mm
K6	9		1	Drive Wheel
	10	56104058	1	Drive Wheel Frame Weldt
K6	11		1	Axle
K6,K9	12		2	Axle Bearing
K5	13		1	Drive Wheel Motor (M1)
	14	56104077	1	Spindle Weldt
K5	15		1	Spacer
	16	56104115	1	Steering Plate
K5,K6,K8, K9	17		8	Washer, Flat 8x17x1.6 Ss
K7	18		1	Sprocket-15 Tooth
K7	19		1	Sprocket-11 Tooth
	20	56104270	1	Chain-Roller
K7	21		1	Chain-Roller
K7	22		1	Weld't-Idler Adjust
K6	23		1	Key, 6mm Sq
K7,K8	24		1	Screw, Hex Thd To Hd M6x35 Ss
K6,K7,K8, K9	25		5	Nut, Hex Nyl Loc Thin M8 Ss
K5,K6,K8	26		4	Screw, Hex Thd To Hd M6x25 Ss
K8	27		4	Screw, Hex Thd To Hd M8x30 Ss
K7,K8	28		1	Nut, Hex M6 Ss
K7,K8	29		1	Screw, Hex Thd To Hd M8x55 Ss
K8	30		4	Spacer
K8	31		1	Spacer
	K5	56104336	1	Kit-Drive Wheel Motor
	K6	56104338	1	Kit-Wheel And Bearing
	K7	56104339	1	Kit-Sprocket And Chain
	K8	56104340	1	Kit-Drive Wheel Hardware
	K9	56104384	1	Kit-Front Wheel Bearings

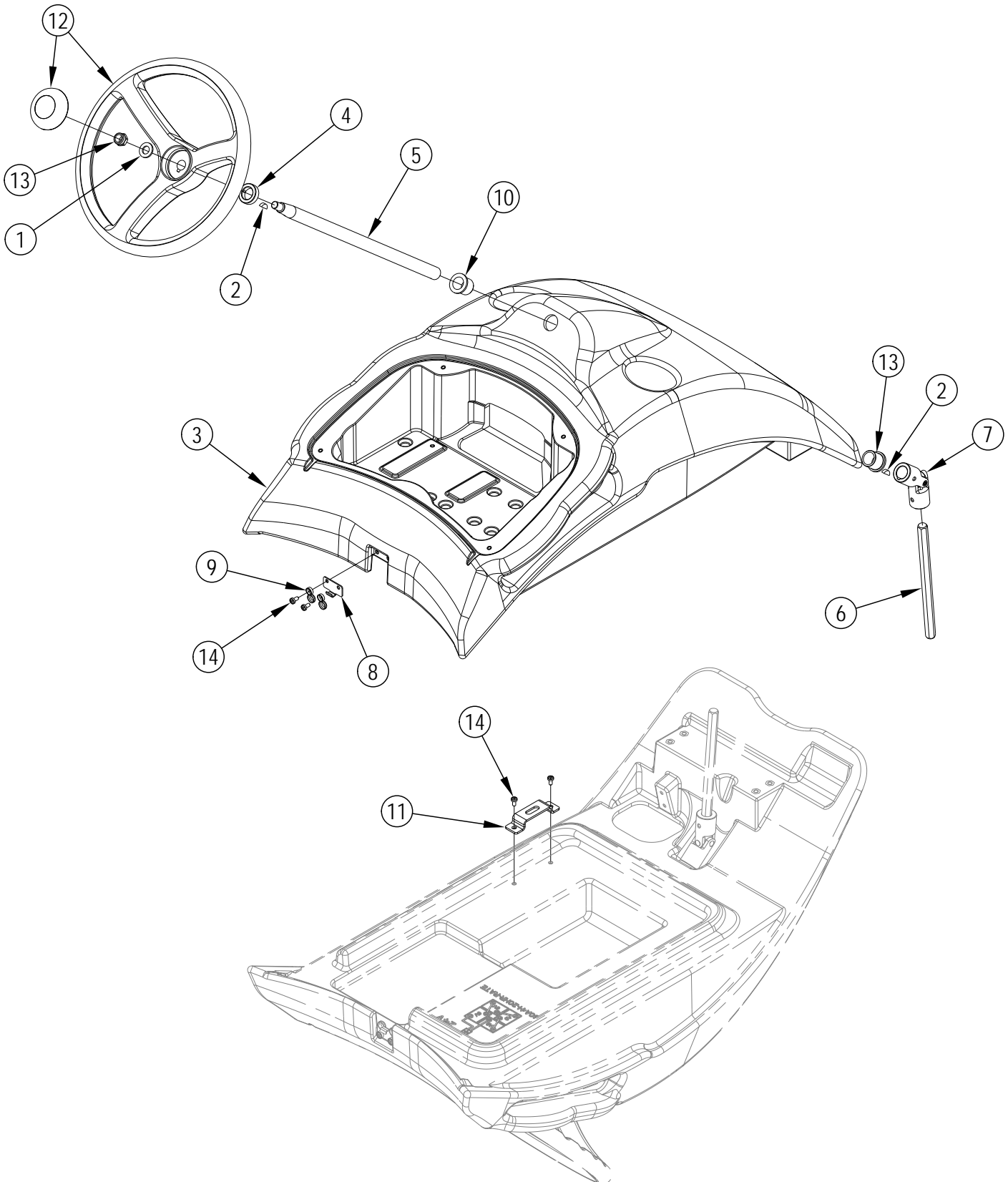
PLATFORM ASSEMBLY



PLATFORM ASSEMBLY

Kit	Item	Ref. No.	Qty	Description
		56104276	1	Platform Assembly
K1	1		4	Washer
K1	2		6	Scr-Pan Phil Plast M6x2.5x16mm
K1	3		2	Scr-Pan Phil Plast M6x2.5x20mm
K1	4		4	Scr-Pan Phil Plast M5x2.3x10mm
	5	56104052	1	Platform-Upper
	6	56104185	1	Pedal-Safety
	7	56104186	1	Foot Pedal
	8	56104187	1	Platform-Bottom
	9	56104277	3	Compression Spring
	10	56104406	1	Switch Harness (S2, S5)
	11	56158690	1	Grommet
	12	56331006	2	Grommet
K1	56104417		1	Kit-Plateform Hardware

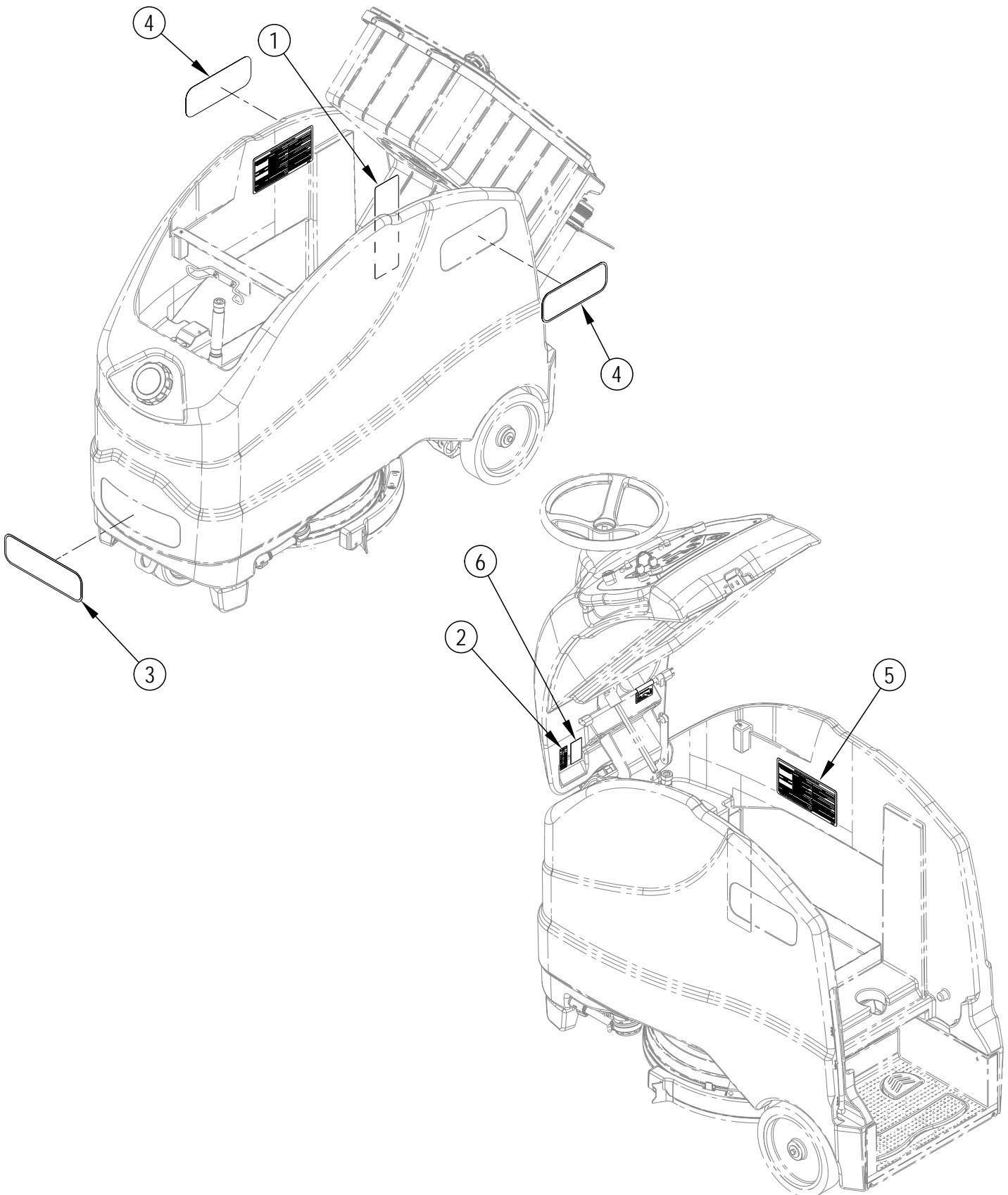
CONTROL SYSTEM



CONTROL SYSTEM

Kit	Item	Ref. No.	Qty	Description
K3	1		1	Washer, Flat 13X24
K3	2		2	Key-Wdf 5mmX6.5mmX16mm
	3	56104053	1	Control Panel
K3	4		1	Collar
	5	56104196	1	Shaft Steering
	6	56104265	1	Shaft Hex
K1	7		1	Universal Joint
K2	8		1	Hook Latch
K2,K3	9		2	Screw Cap
K3	10		2	Bearing-Flange
	11	56104410	1	Bracket-Prop Rod
	12	56601060	1	Steering Wheel
K3	13		1	Nut, Hex Nyl Loc Thin M12
K2,K3	14		4	Scr, Pan Phil M5x10 Ss
	K1	56104328	1	Kit-Universal Joint
	K2	56104352	1	Kit-Draw Latch
	K3	56104365	1	Kit-Control Hardware

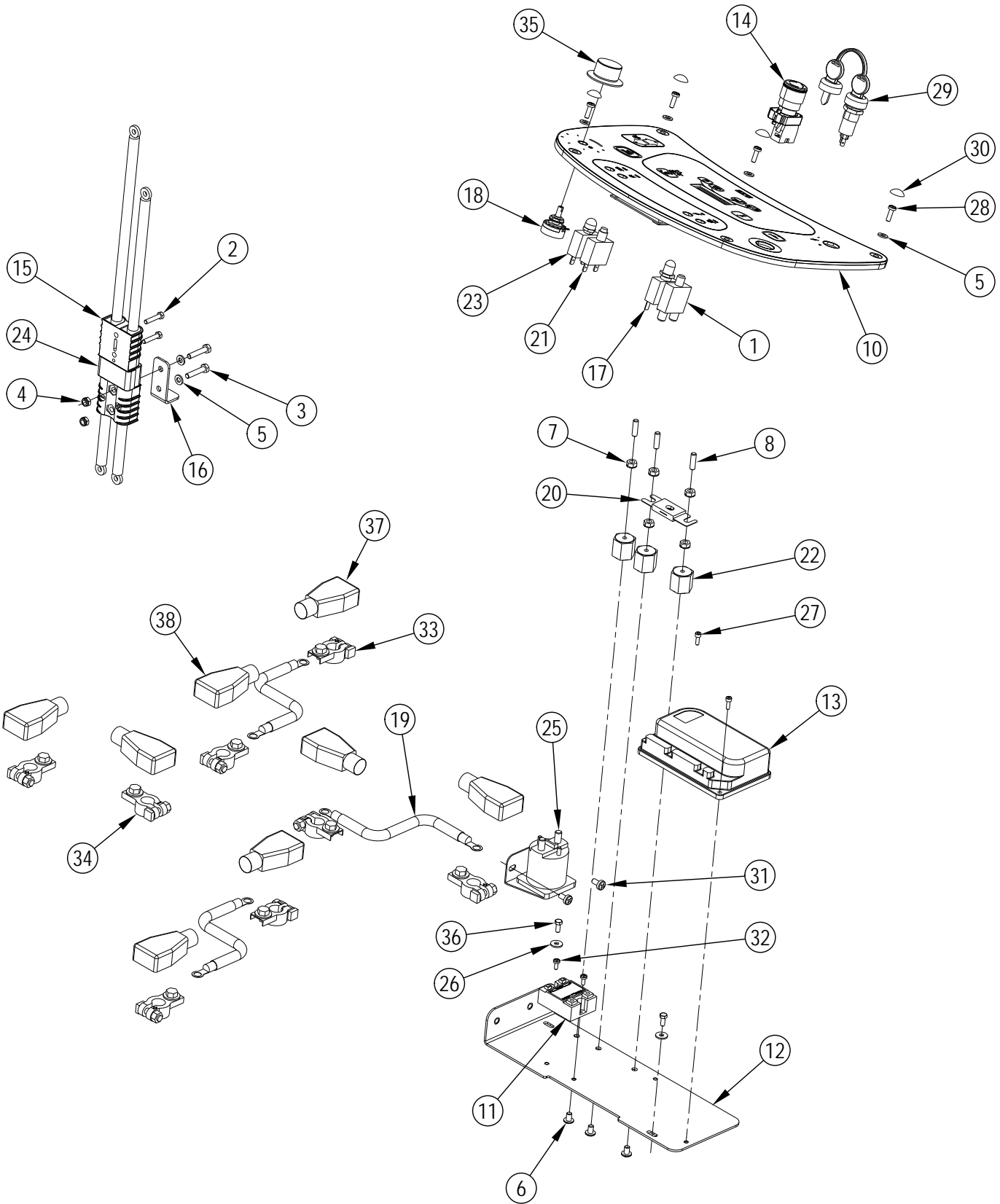
DECAL SYSTEM



DECAL SYSTEM

Kit	Item	Ref. No.	Qty	Description
K1	1		1	Decal, Caution
K1	2		1	Decal-Chemical Ratio
K1	3		1	Decal, Nilfisk
K1	4		2	Decal-Nilfisk Sc1500
K1	5		1	Decal-Error Codes
K1	6		1	Lable, NFSI
	K1	56104335	1	Kit-Decal SC1500 EU

ELECTRICAL SYSTEM

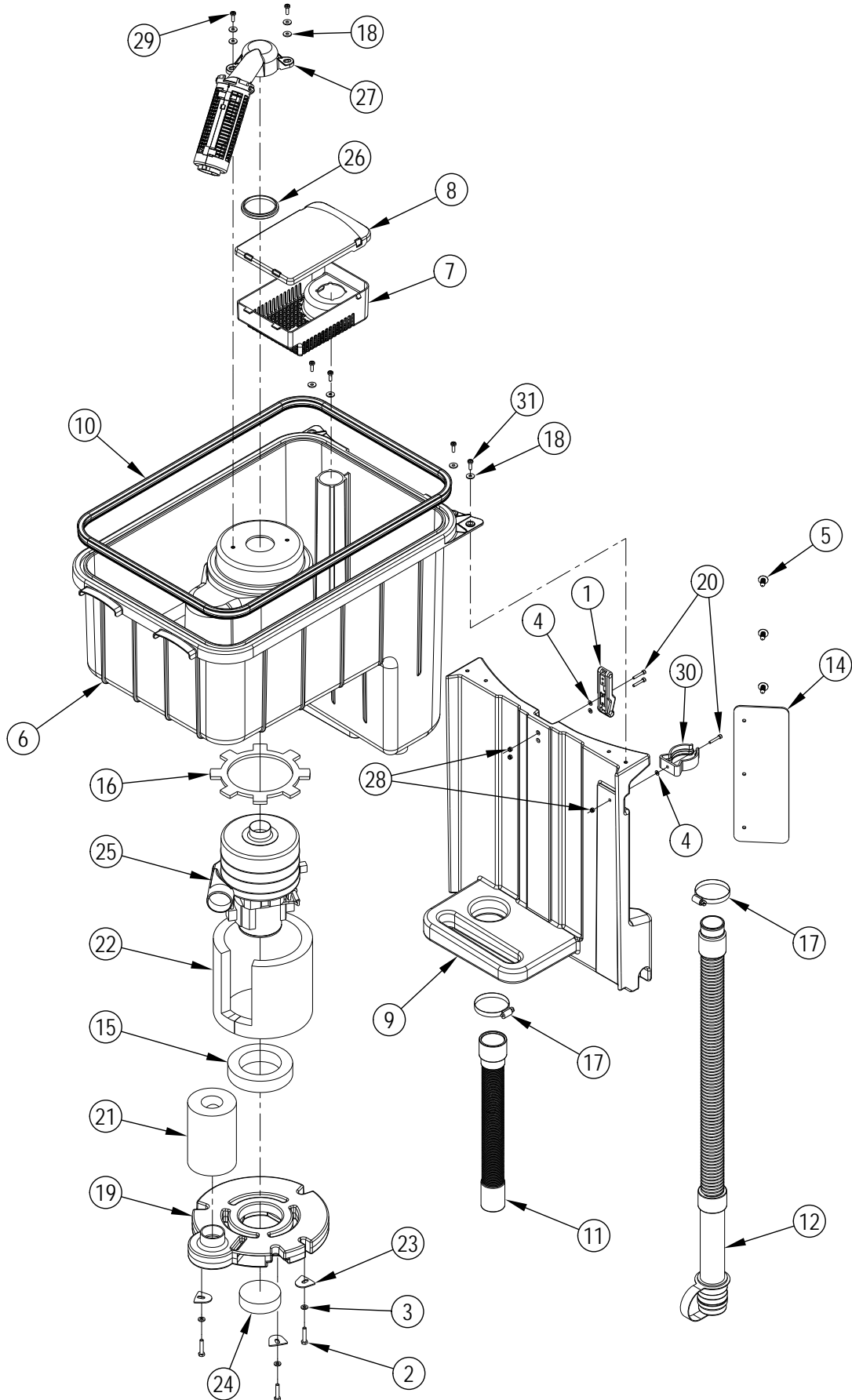


ELECTRICAL SYSTEM

Kit	Item	Ref. No.	Qty	Description
	1	56386725	1	Circuit Breaker 50 Amp (CB1)
K1	2		2	Screw, Hex Thd To Hd M5x25
K1	3		2	Screw, Hex Thd To Hd M6x30
K1	4		2	Nut, Hex Nyl Loc Thin M6
K1	5		6	Washer, Flat 6,4x12,5
K1	6		3	Scr-Pan Phil 1/4-20 X .38
K1	7		5	Nut, Hex W/ Shprf 1/4-20
K1	8		3	Stud
	[9]	56104083	1	Harness-Main
K2	10		1	Interface Panel Assembly (A1)
K3	*		1	Kit-Interface Panel
	11	56104176	1	Solid State Relay (K1)
	12	56104193	1	Electrical Panel
	13	56104243	1	Speed Controller (E1)
	14	56104247	1	Disconnect-Emergency
	15	56104281	1	Cable-Power
	16	56112354	1	Handle
	17	56315255	1	Circuit Breaker, 5 Amp (CB2)
	18	56396197	1	Potentiometer, 100k (R1)
	19	56409485	3	Cable,Battery
	20	56412089	1	Fuse, 150 Amp (F1)
	21	56413822	1	Circuit Breaker, 20 Amp (CB3)
	22	56469858	3	Electrical Mount
	23	56509623	1	Circuit Breaker-25 Amp (CB4)
	24	56601172	1	Connector Assy
	25	56601183	1	Contacto 24v, 100 Amp (K2)
K1	26		2	Washer, Flat XI 5,5x15x1,2 Ss
K1	27		2	Viti Tcei/Scr, Soc Hd
K1	28		4	Scr, Pan Phil M5x16
	29	1462888000	1	Switch, Key With Water Proof Cup (S1)
K1	30		4	Cover For Screw Tcb 4.8mm
K1	31		2	Scr, Pan Phil M6x12
K1	32		2	Scr, Pan Phil M4x10
	33	L08812063	4	Terminal Clamp Batt
	34	L08812064	4	Terminal Clamp Batt
	35	50962A	1	Knob, Speed Control
K1	36		2	Screw, Hex Thd To Hd M5x12
	37	2-00-05171	4	Boot, Protective (Red)
	38	2-00-05173	4	Battery Insulator
	K1	56104341	1	Kit-Electrical Hardware
	K2	56104371	1	Kit-Control Board
	K3	56104372	1	Kit-Interface Panel

[] = Not Shown
 * = Optional, Not Included

RECOVERY SYSTEM

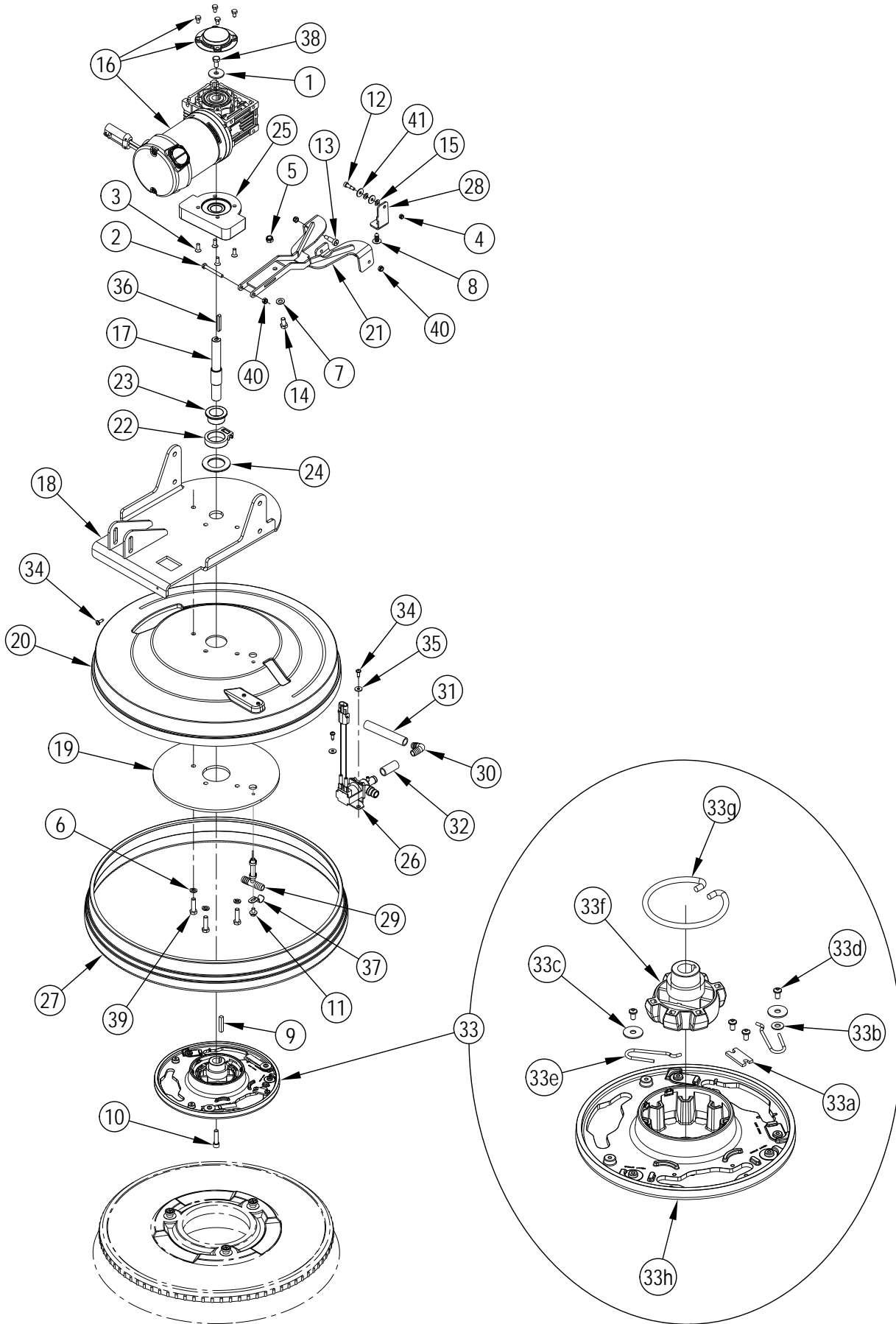


RECOVERY SYSTEM

Kit	Item	Ref. No.	Qty	Description
K1	1		1	Latch, Draw
K7	2		3	Screw, Hex Thd To Hd M6x30
K7	3		3	Washer, Flat 6,4x12,5 S.S.
K1,K5,K7	4		3	Washer, Flat 4,3x9
K7	5		3	Rivet, Nylon Tree Push-In (.25)
	6	56104051	1	Recovery Tank
K4	7		1	Debris Cage
K4	8		1	Debris Tray Cover
	9	56104158	1	Back Panel
	10	56104164	1	Gasket-Recovery Tank
	11	56104258	1	Vac Hose Assy
	12	56104285	1	Drain Hose
	[13]	56104306	1	Jumper Harness
	14	56104320	1	Splash Guard
K8	15		1	Vacuum Motor Support Gasket
K6	16		1	Gasket, Vacuum Motor
	17	56440213	2	Clamp- Hose Sae #32
K3,K7	18		8	Washer, Flat XI 5,5x15x1,2 Ss
	19	9096051000	1	Cover, Vac
K1,K5,K7	20		3	Viti Tcei/Scr, Soc Hd
K8	21		1	Insulation Tube
K8	22		1	Panel, Acoustic Insulation
K7	23		3	Plate Cover
	24	9096672000	1	Filter
K6	25		1	Vacuum Motor 3 Stage 24v (M4)
K3	26		1	Gasket Float Support
K3	27		1	Float Cage-Complete
K1,K5,K7	28		3	Nut, Hex Nyl Loc Thin M4 Ss
K3,K7	29		6	Scr,Pan Phil M5x16 Ss
K5	30		1	Clamp, Hose D.50
	K1	56104352	1	Kit-Draw Latch
	K3	56104389	1	Kit-Float Cage EU
	K4	56104360	1	Kit-Debris Cage
	K5	56104362	1	Kit-Hose Clamp
	K6	56104363	1	Kit-Vacuum Motor
	K7	56104364	1	Kit-Recovery Hardware
	K8	56104383	1	Kit-Vacuum Motor Insulation

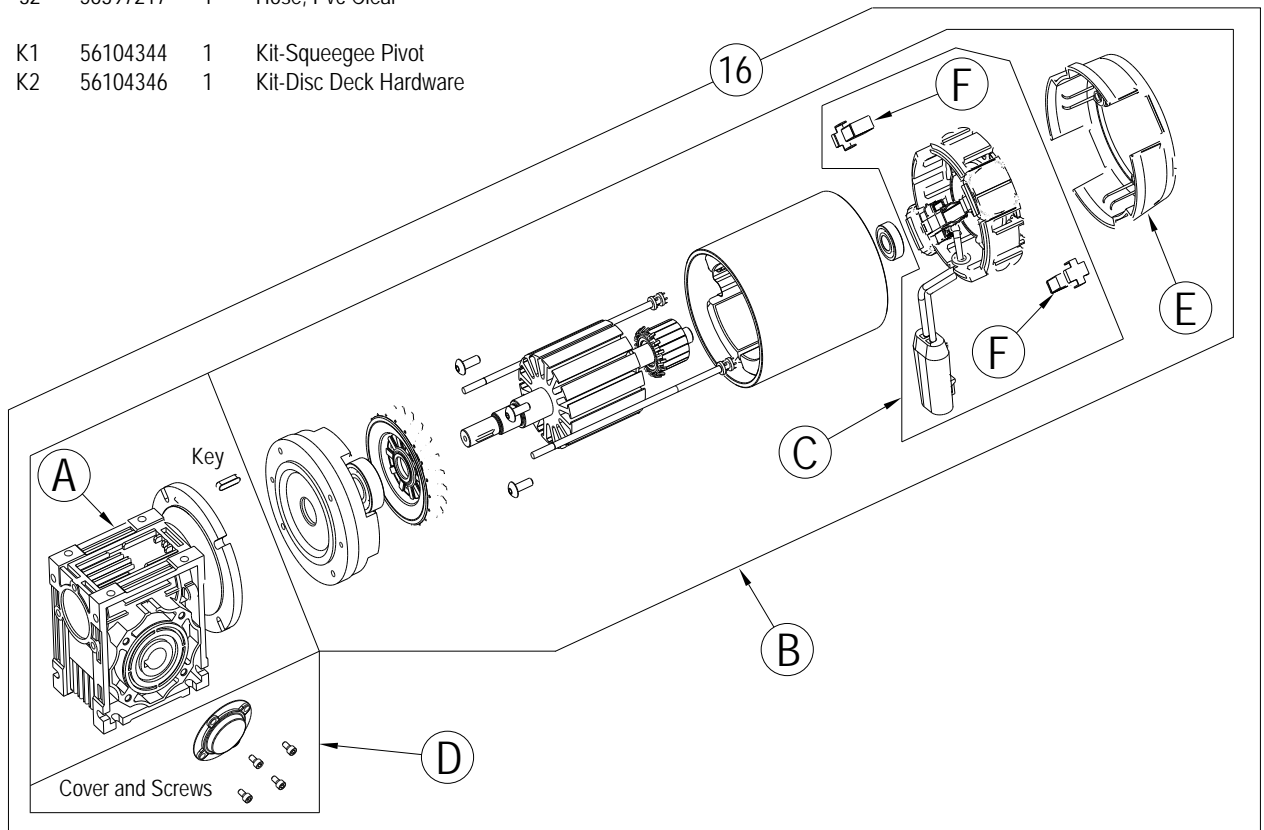
[] = Not Shown

SCRUB SYSTEM-20D

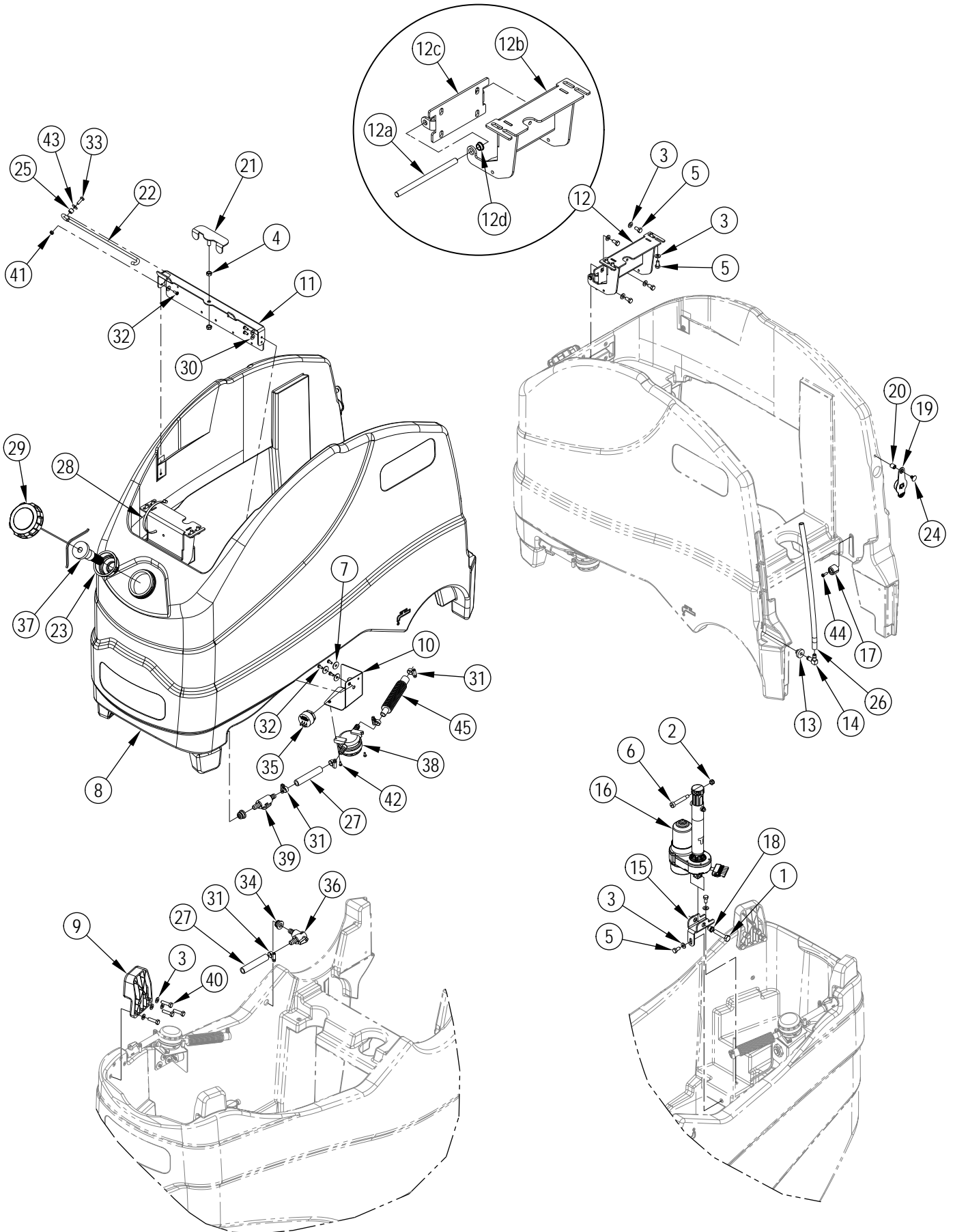


SCRUB SYSTEM-20D

Kit	Item	Ref. No.	Qty	Description	Kit	Item	Ref. No.	Qty	Description
K2	1		1	Washer, Flat XI 9X32		33	56601733	1	Brush Plate Assy Rt
K2	2		1	Screw, Hex Thd To Hd M6x50		33a	56366455	1	Plate, Stop
K2	3		4	Screw, Flat Socket Head	K2	33b		1	Wsh, Flt Std #10
K2	4		1	Nut, Hex Nyl Loc Thin M5	K2	33c		2	Wsh, Flt .266 X .906 X .060
K2	5		1	Nut, Hex Nyl Loc Thin M8	K2	33d		4	Scr, Pan Phil Plastite 10-14 X .38
K2	6		3	Washer, Split Lock D.8	33e	56109653		2	Spring Retainer
K2	7		1	Washer, Flat 8.4X16X1.6	33f	56112521		1	Gimbal-Collar Assembly
K2	8		1	Rivet, Nylon Tree Push-In (.25)	33g	56601056		1	Spring, Brush Holder
K2	9		1	Key, Square .25 X 1.44	33h	56601118		1	Brush Plate
K2	10		1	Scr-Soc Hd 5/16-18 X 1.25 Zinc	K2	34		3	Scr, Pan Hd Thd Form
K2	11		1	Scr-Hex Thd Form M6 X 10mm	K2	35		2	Washer, Flat XI 5,5X15X1,2 Ss
K2	12		1	Scr-Soc Shd M6x12mm X M5-0.8	K2	36		1	Key
K2	13		2	Scr-Soc Shd M8x16mm X M6-1.00		37	9095483000	1	Hose Holder
K2	14		1	Scr-Hex Plastic M8-1.25 X 16MM	K2	38		1	Screw, Hex Thd To Hd M8x16 Loctite
K2	15		2	Wsh, Bowed .266x.500x.060	K2	39		3	Screw, Hex Thd To Hd M8x30 Ss
	16	56104071	1	Disc Brush Motor (A-F) (M5)	K2	40		3	Nut, Hex Nyl Loc Thin M6 Ss
	17	56104095	1	Shaft Disc Brush Motor	K2	41		2	Washer, Flat XI Ss
	18	56104117	1	Deck Lift Plate Weldment					
	19	56104120	1	Lower Deck Plate					
	20	56104121	1	Brush Housing					
	21	56104126	1	Squeegee Link Weldment					
K1	22		1	Squeegee Pivot Block	Kit	Item	Ref. No.	Qty	Description
K1	23		1	Bearing Flange	A	56104297		1	Motovario Gearbox 15/1
K1	24		1	Squeegee Pivot Washer	B	56104298		1	Motor
	25	56104137	1	Spacer Motor	C	56104300		1	Brush Housing Assembly
	26	56104169	1	Solenoid Valve Assy (L1)	D	56601588		1	Cover And Screws
	27	56104240	1	Skirt Brush	E	56601508		1	Plastic Cover
	28	56104241	1	Double Scrub Brkt	F	56601534		1	Carbon Brushes (2)
	29	56314983	1	Tee Assembly					
	30	56386183	1	Barbed Elbow 90					
	31	56397209	1	Hose, Pvc, Clear .50 X 4.00					
	32	56397217	1	Hose, Pvc Clear					
K1	56104344	1	1	Kit-Squeegee Pivot					
K2	56104346	1	1	Kit-Disc Deck Hardware					



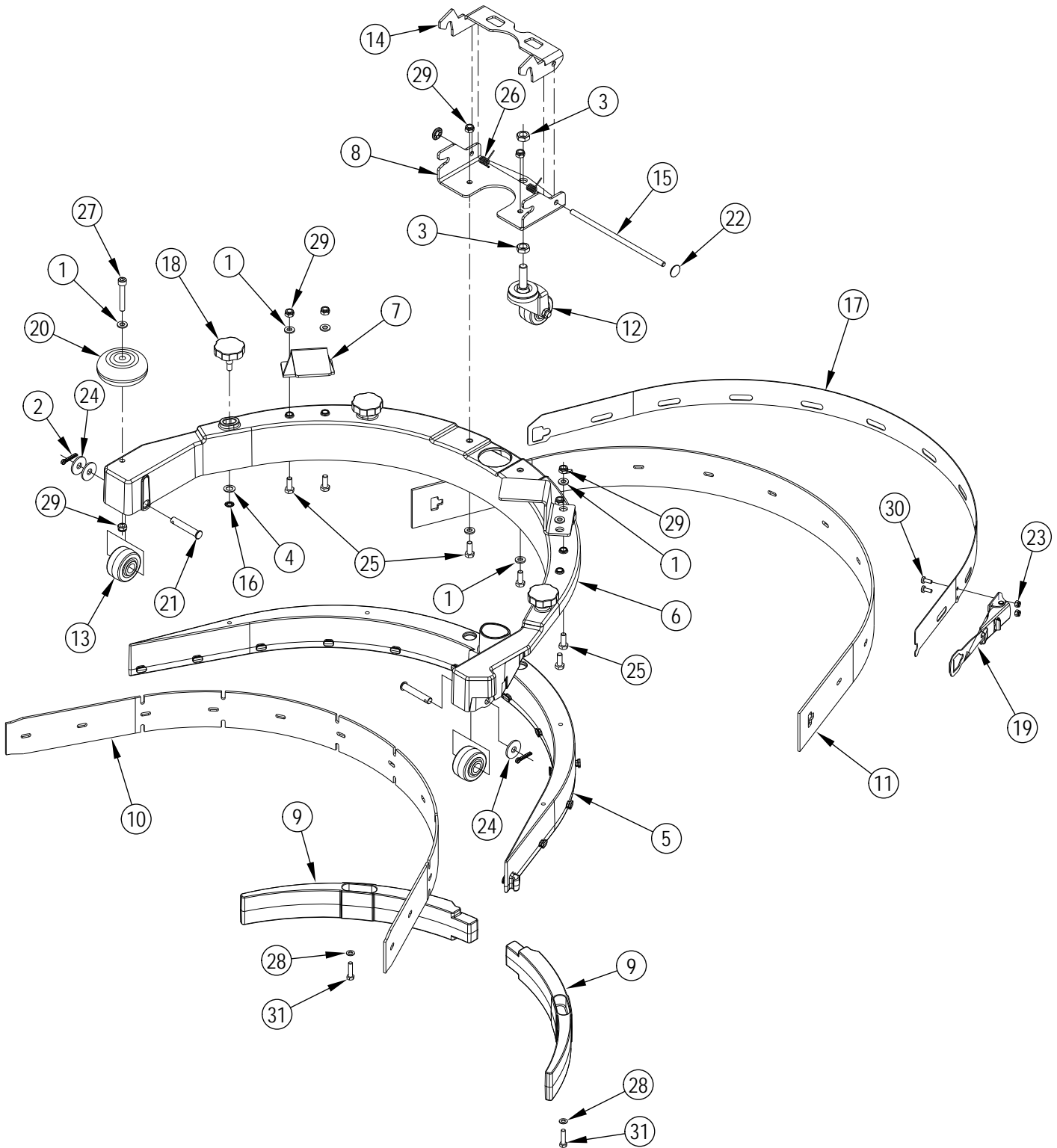
SOLUTION SYSTEM



SOLUTION SYSTEM

Kit	Item	Ref. No.	Qty	Description	Kit	Item	Ref. No.	Qty	Description
K5,K7	1		1	Screw, Hex Thd To Hd M10x50	K1,K2	27		2	Hose, Spiral .500
K5,K7	2		1	Nut, Hex Nyl Loc Thin M8		28	56477613	1	Tie, Cable
K6,K7	3		18	Washer, Flat 8.4x16x1.6		29	56601599	1	Cap - Raw With Tether
K7	4		2	Nut, Hex Nyl Loc-Thin Ss 3/8-16	K7	30		3	Washer, Flat XI 5,5x15x1,2 Ss
K7	5		10	Scr-Hex M8-1.25 X 16mm	K1,K2	31		5	Clamp, Hose 8/9-16clamp, Hose B32hs
K5,K7	6		1	Scr-Soc Shd M10x50mm X M8-1.25	K7	32		6	Scr, Pan Phil M5x12 Ss
K7	7		3	Wsh, Flt .266 X .906 X .060	K7	33		1	Scr, Pan Phil M6x20 Ss
	8	56104050	1	Solution Tank	K1,K2	34		2	Gasket
K6	9		2	Tip Pad		35	9096126000	1	Buzzer 5-32v (H1)
	10	56104165	1	Filter Bracket	K1	36		1	Ball Valve 90°
	11	56104194	1	Support Brkt	K8	37		1	Filling Hose
	12	56104209	1	Hinge Assembly	K3	38		1	Filter, Water
	12a	56104206	1	Hinge Pin	K2	39		1	Ball Valve
	12b	56104207	1	Hinge Weldment	K6,K7	40		8	Screw, Hex Thd To Hd M8x30 Ss
	12c	56104208	1	Hinge Bracket	K7	41		1	Nut, Hex Nyl Loc Thin M6 Ss
	12d	56104249	2	Bearing Flange	K3,K7	42		2	Scr, Pan Phil M4x10 Ss
	13	56104229	1	Grommet	K7	43		1	Washer, Flat XI Ss
	14	56104230	1	Hosebarb .25x.50	K7	44		2	Scr,Pan Phil M5x16 Ss
	15	56104234	1	Actuator Brkt	K2	45		1	Hose, Solution
K5	16		1	Actuator Assembly (M3)					
	17	56104308	2	Pivot Block	K1	56104349		1	Kit-Solution Drain
K5	18		1	Spacer Actuator	K2	56104350		1	Kit-Solution Hose
K4	19		1	Rubber Solution Cap	K3	56104351		1	Kit-Solution Filter
	20	56104390	1	Insert-Brass M8	K4	56104354		1	Kit-Solution Cap
	21	56104391	1	Adjustment Pad	K5	56104356		1	Kit-Actuator
	22	56104409	1	Prop Rod	K6	56104357		1	Kit-Tip Pad
K8	23		1	Fill Hose Support	K7	56104358		1	Kit-Solution Hardware
K4	24		1	Clip, Panel	K8	56112355		1	Kit-Refilling Hose
K7	25		1	Bushing					
	26	56393382	1	Hose-Pvc Clear					

SQUEEGEE SYSTEM



SQUEEGEE SYSTEM

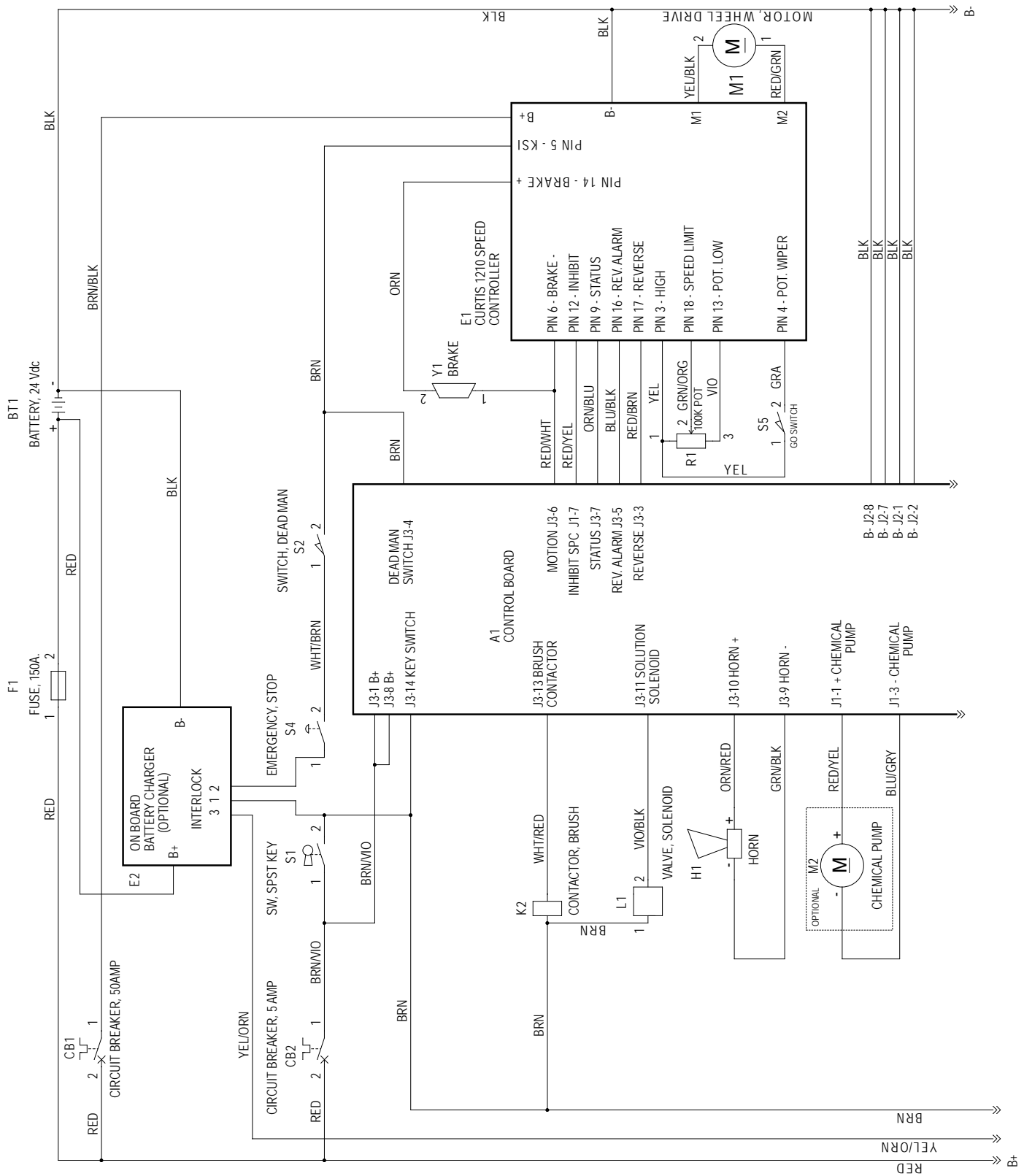
Kit	Item	Ref. No.	Qty	Description
K3,K4,K6	1		7	Washer, Flat 6,4X12,5 S.S.
K4,K6	2		2	Pin-Cotter 1/8 X .75
K4,K6	3		2	Nut-Hex Jam Ss 3/8-16
K4,K5	4		4	Wsh-Flt .328 X .563 X .031
K4	5		1	Squeegee Casting NOTE 2
K4	6		1	Squeegee Cover
K4	7		2	Squeegee Lift Bracket
K4,K8	8		1	Squeegee Bracket
K4	9		2	Squeegee Plate
K1,K4	10		1	Blade-Squeegee Pu Front NOTE 1
K2	*		1	Blade-Squeegee Red Gum Front NOTE 1
K1,K4	11		1	Blade-Squeegee Pu Rear NOTE 1
K2	*		1	Blade-Squeegee Red Gum Rear NOTE 1
K4,K6	12		1	Caster Wheel
K4,K6	13		2	Roller Wheel
K4,K8	14		1	Squeegee Mount Brkt
K4,K8	15		1	Pivot Pin
K4,K5	16		4	Retaining Ring
K4,K7	17		1	Strap-Squeegee Rear
K4,K5	18		4	Knob Assembly
K4,K7	19		1	Latch-T Tab Assy
K4,K6	20		1	Wheel
K4,K6	21		2	Pin-Clevis .312 X 1.84
K4,K8	22		2	Pin Cover-6mm
K4,K7	23		2	Nut, Hex Nyl Loc Thin M4 Ss
K4,K6	24		3	Washer 8x24x2 Uni 6593 Ss
K3,K4	25		6	Screw, Hex Thd To Hd M6x16 Ss
K4,K8	26		2	Spring Acc. Lid Lh
K4,K6	27		1	Viti Tcei/Scr, Soc Hd
K3,K4	28		2	Washer, Flat 5.3X10X1 Ss
K3,K4,K6	29		7	Nut, Hex Nyl Loc Thin M6 Ss
K4,K7	30		2	Scr, Pan Phil M4x10 Ss
K3,K4	31		2	Screw, Hex Thd To Hd M5x20 Ss
	K1	56104325	1	Kit-Squeegee Blade Pu
	K2	56104326	1	Kit-Squeegee Blade Red Gum
	K3	56104327	1	Kit-Squeegee Hardware
	K4	56104378	1	Kit-Squeegee Assy
	K5	56104382	1	Kit-Squeegee Knobs
	K6	56104385	1	Kit-Squeegee Wheels
	K7	56104386	1	Kit-Squeegee Strap
	K8	56104387	1	Kit-Squeegee Mount Brkt

* = Optional, Not Included

NOTE 1: All squeegee blade kits include both front and rear squeegee blades.

NOTE 2: The squeegee casting is not available for sale separately. If you need to replace it please order the Kit-Squeegee Assy 56104378.

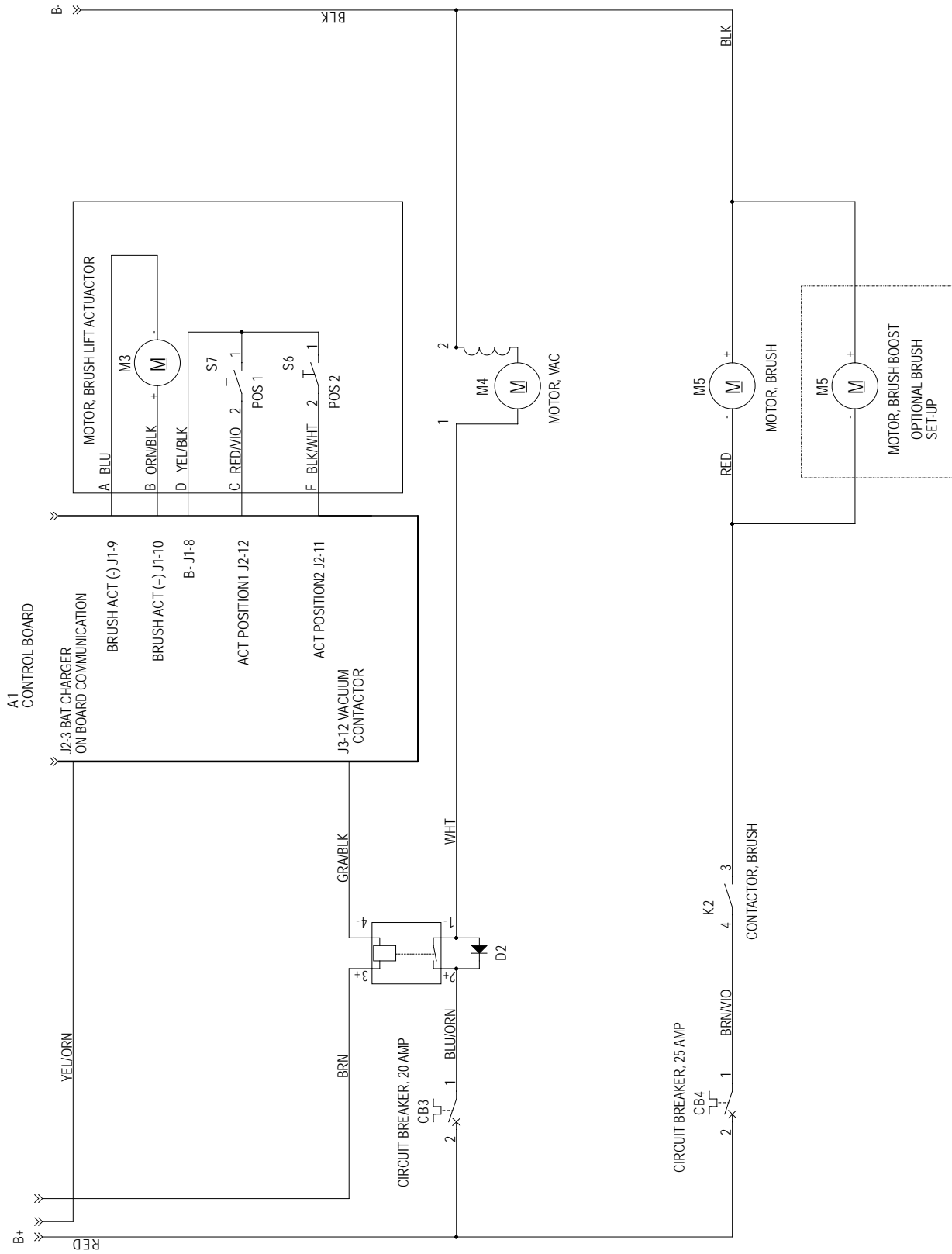
LADDER DIAGRAM



LADDER DIAGRAM

Item	Ref. No.	Qty	Description
A1	NA		Control Board
BT1	NA		Battery
CB1	56386725	1	Circuit Breaker 50a
CB2	56315255	1	Circuit Breaker 5 Amp
CB3	56413822	1	Circuit Breaker 20 Amp
CB4	56509623	1	Circuit Breaker-25 Amp
E1	56104243	1	Speed Controller
E2	56112544	1	Battery Charger 24v 25a
F1	56412089	1	Fuse 150 Amp
H1	9096126000	1	Buzzer 5-32v
K1	56104176	1	Solid State Relay
K2	56601183	1	Contactoer 24v 100 Amp
L1	56601064	1	Solenoid Valve Assembly
M1	56104074	1	Drive Wheel Motor
M2	56315241	1	Pump Chemical
M3	56104288	1	Actuator Assembly
M4	9097556000	1	Motor Vacuum 3st 24v 420w
M5	56104071	1	Disc Brush Motor (20D)
M5	56390072	1	Motor 24vdc (REV)
R1	56396197	1	Potentiometer 100k
S1	1462888000	1	Switch Key with Cap
S2	NA	1	Switch-Sealed (part of Switch Harness 56104406)
S4	56104247	1	Disconnect-Emergency
S5	NA	1	Switch-Sealed (part of Switch Harness 56104406)
Y1	NA		Electrical Brake (part of Drive Wheel Motor 56104074)

LADDER DIAGRAM



LADDER DIAGRAM

Item	Ref. No.	Qty	Description
A1	NA		Control Board
BT1	NA		Battery
CB1	56386725	1	Circuit Breaker 50a
CB2	56315255	1	Circuit Breaker 5 Amp
CB3	56413822	1	Circuit Breaker 20 Amp
CB4	56509623	1	Circuit Breaker-25 Amp
E1	56104243	1	Speed Controller
E2	56112544	1	Battery Charger 24v 25a
F1	56412089	1	Fuse 150 Amp
H1	9096126000	1	Buzzer 5-32v
K1	56104176	1	Solid State Relay
K2	56601183	1	Contactoer 24v 100 Amp
L1	56601064	1	Solenoid Valve Assembly
M1	56104074	1	Drive Wheel Motor
M2	56315241	1	Pump Chemical
M3	56104288	1	Actuator Assembly
M4	9097556000	1	Motor Vacuum 3st 24v 420w
M5	56104071	1	Disc Brush Motor (20D)
M5	56390072	1	Motor 24vdc (REV)
R1	56396197	1	Potentiometer 100k
S1	1462888000	1	Switch Key with Cap
S2	NA	1	Switch-Sealed (part of Switch Harness 56104406)
S4	56104247	1	Disconnect-Emergency
S5	NA	1	Switch-Sealed (part of Switch Harness 56104406)
Y1	NA		Electrical Brake (part of Drive Wheel Motor 56104074)

OPTIONAL KITS AND ACCESSORIES

Item	Ref. No.	Qty	Description
			Kits
*	56104403	1	Kit-On Board Charger-Eu
*	56104374	1	Kit-Shelf Charger Us
*	56104371	1	Kit-Control Board
*	56104372	1	Kit-Interface Panel
			Squeegee Blade Kits (See Squeegee Blade Selector Guide)
	56104325	1	Kit-Squeegee Blade PU NOTE 1
*	56104326	1	Kit-Squeegee Blade Red Gum NOTE 1
			Accessories
*	56397453	1	Indicator Battery Level
*	56409441	1	Programmer 1311np User
*	56409823	1	Programmer Cable
*	56104190	1	Ecoflex Bottle Assy
*	56104192	1	Kit-Chemical Injection Eu
*	56044629	1	Literature Pack
			20" Disk Scrub Brushes (See Brush Selector Guide)
*	56505790	1	Pad Holder-20 3 Lug
*	56505791	1	Disc Brush-20 Magnagrit 3 Lug
*	56505792	1	Disc Brush-20 Dyna Grit 3 Lug
*	56505793	1	Disc Brush-20 Aglite 3 Lug
*	56505794	1	Disc Brush-20 Prolene 3 Lug
*	56505795	1	Disc Brush-20 Prolite 3 Lug
*	56505796	1	Disc Brush-20 Union Mix 3 Lug
*	56505797	1	Disc Brush-20 Midgrit 3 Lug
*	56505798	1	Disc Brush-20 Midlite 3 Lug
*	976170	1	Pads Cs 20 Black Thin (Qty 5)
*	976070	1	Pads Cs 20 Brown 51 (Qty 5)
*	976069	1	Pads Cs 20 Blue 51 (Qty 5)

* = Optional, Not Included

NOTE 1: All squeegee blade kits include both front and rear squeegee blades.

RECOMMENDED SPARE PARTS**CLASS**

W = Normal Wear
 O = Ordinary Maintenance
 E = Extra-Ordinary Maintenance

CLASS PART NO.	DESCRIPTION	CLASS PART NO.	DESCRIPTION	CLASS PART NO.	DESCRIPTION
CHASSIS SYSTEM					
E 56104091	Mounting Tab				
E 56104094	Bar Linkage				
E 56104105	Battery Tray				
E 56104130	Steering Shaft				
E 56104135	Link Bar				
E 56104148	Steering Shaft Weldt				
E 56104151	Spindle Mount Weldment				
E 56104157	Collar				
E 56104170	Chassis Weldment				
O 56104239	Harness-Drive Motor				
O 56104269	Sprocket-11 Tooth				
O 56104407	Bearing-Flange				
E 56314032	Block, Bearing				
E 56104328	Kit-Universal Joint				
O 56104331	Kit-Rear Wheel				
E 56104332	Kit-Bearing Block				
E 56104333	Kit-Chassis Hardware				
E 56104336	Kit-Drive Wheel Motor				
O 56104338	Kit-Wheel And Bearing				
O 56104339	Kit-Sprocket And Chain				
E 56104340	Kit-Drive Wheel Hardware				
E 56104384	Kit-Front Wheel Bearings				
CONTROL SYSTEM					
E 56104053	Control Panel				
E 56104196	Shaft Steering				
E 56104265	Shaft Hex				
E 56104410	Bracket-Prop Rod				
E 56601060	Steering Wheel				
E 56104058	Drive Wheel Frame Weldt				
E 56104077	Spindle Weldt				
E 56104115	Steering Plate				
W 56104270	Chain-Roller				
E 56104328	Kit-Universal Joint				
E 56104352	Kit-Draw Latch				
E 56104365	Kit-Control Hardware				
ELECTRICAL SYSTEM					
E 56386725	Circuit Breaker 50 Amp				
E 56104083	Harness-Main				
E 56104176	Solid State Relay				
E 56104193	Electrical Panel				
E 56104243	Speed Controller				
E 56104247	Disconnect-Emergency				
E 56104281	Cable-Power				
E 56112354	Handle				
E 56315255	Circuit Breaker, 5 Amp				
E 56396197	Potentiometer, 100k				
E 56409485	Cable,Battery				
E 56412089	Fuse, 150 Amp				
E 56413822	Circuit Breaker, 20 Amp				
E 56469858	Electrical Mount				
E 56509623	Circuit Breaker-25 Amp				
E 56601172	Connector Assy				
E 56601183	Connector 24v, 100 Amp				
E 1462888000	Switch, Key With Water Proof Cup				
E L08812063	Terminal Clamp Batt				
E L08812064	Terminal Clamp Batt				
E 50962A	Knob, Speed Control				
E 2-00-05171	Boot, Protective (Red)				
E 2-00-05173	Battery Insulator				
E 56104282	Cable-Power Red				
E 56104283	Cable-Power Black				
ELECTRICAL SYSTEM CONTINUED					
E 56372673	Boot-Battery Post				
E 56478246	Tie, Cable				
E 40172A	Cable,Battery				
E 56104341	Kit-Electrical Hardware				
E 56104371	Kit-Control Board				
E 56104372	Kit-Interface Panel				
PLATFORM ASSEMBLY					
E 56104052	Platform-Upper				
E 56104185	Pedal-Safety				
E 56104186	Foot Pedal				
E 56104187	Platform-Bottom				
E 56104277	Compression Spring				
O 56104406	Switch Harness				
E 56158690	Grommet				
E 56331006	Grommet				
E 56104417	Kit-Platform Assembly				
RECOVERY SYSTEM					
E 56104051	Recovery Tank				
E 56104158	Back Panel				
O 56104164	Gasket-Recovery Tank				
O 56104258	Vac Hose Assy				
O 56104285	Drain Hose				
E 56104306	Jumper Harness				
E 56104320	Splash Guard				
E 56440213	Clamp- Hose Sae #32				
E 9096051000	Cover, Vac				
O 9096672000	Filter				
E 56104352	Kit-Draw Latch				
E 56104389	Kit-Float Cage Eu				
E 56104360	Kit-Debris Cage				
E 56104362	Kit-Hose Clamp				
E 56104363	Kit-Vacuum Motor				
E 56104364	Kit-Recovery Hardware				
E 56104383	Kit-Vacuum Motor Insulation				
SCRUB SYSTEM-20D					
E 56104071	Disc Brush Motor				
E 56104095	Shaft Disc Brush Motor				
E 56104117	Deck Lift Plate Weldment				
E 56104120	Lower Deck Plate				
E 56104121	Brush Housing				
E 56104126	Squeegee Link Weldment				
E 56104137	Spacer Motor				
E 56104169	Solenoid Valve Assy				
E 56104240	Skirt Brush				
E 56104241	Double Scrub Brkt				
E 56314983	Tee Assembly				
E 56386183	Barbed Elbow 90				
E 56397209	Hose, Pvc, Clear .50 X 4.00				
E 56397217	Hose, Pvc Clear				
E 56601733	Brush Plate Assy Rt				
E 56366455	Plate, Stop				
E 56109653	Spring Retainer				
E 56112521	Gimbal-Collar Assembly				
E 56601056	Spring, Brush Holder				
E 56601118	Brush Plate				
O 9095483000	Hose Holder				
E 56104297	Motovario Gearbox 15/1				
E 56104298	Motor				
E 56104300	Brush Housing Assembly				
E 56601588	Cover And Screws				
SCRUB SYSTEM-20D CONTINUED					
E 56601508	Plastic Cover				
O 56601534	Carbon Brushes (2)				
E 56104344	Kit-Squeegee Pivot				
E 56104346	Kit-Disc Deck Hardware				
E 56104347	Kit-Disc Deck Assy 20				
SOLUTION SYSTEM					
E 56104050	Solution Tank				
E 56104165	Filter Bracket				
E 56104194	Support Brkt				
E 56104209	Hinge Assembly				
E 56104206	Hinge Pin				
E 56104207	Hinge Weldment				
E 56104208	Hinge Bracket				
E 56104249	Bearing Flange				
E 56104229	Grommet				
E 56104230	Hose Barb .25x.50				
E 56104234	Actuator Brkt				
E 56104308	Pivot Block				
E 56104390	Insert-Brass M8				
E 56104391	Adjustment Pad				
E 56104409	Prop Rod				
E 56393382	Hose-Pvc Clear				
E 56477613	Tie, Cable				
E 56601599	Cap - Raw With Tether				
E 9096126000	Buzzer 5-32v				
E 56104189	Insert-Dry Break				
E 56104408	Chemical Bottle Assembly				
E 56314942	Hose, Chem Resistant				
E 56314991	Hose, Chem Resistant 14"				
E 56315241	Pump, Chemical				
E 56315270	Charger Cord, Us				
E 56315517	Cap, Raw				
E 56315523	Cap, Dry Break, 1/8 Barb, 90				
E 9095149000	Cable Support				
E 56104349	Kit-Solution Drain				
E 56104350	Kit-Solution Hose				
E 56104351	Kit-Solution Filter				
E 56104354	Kit-Solution Cap				
E 56104356	Kit-Actuator				
E 56104357	Kit-Tip Pad				
E 56104358	Kit-Solution Hardware				
E 56112355	Kit- Refilling Hose				
SQUEEGEE SYSTEM					
W 56104325	Kit-Squeegee Blade Pu				
W 56104326	Kit-Squeegee Blade Red Gum				
E 56104327	Kit-Squeegee Hardware				
E 56104378	Kit-Squeegee Assy				
E 56104382	Kit-Squeegee Knobs				
W 56104385	Kit-Squeegee Wheels				
E 56104386	Kit-Squeegee Strap				
E 56104387	Kit-Squeegee Mount Brkt				
DECAL SYSTEM - SC1500					
E 56104335	Kit-Decal Sc1500 Eu				
ACCESSORY / OPTIONS					
E 56104192	Kit-Chemical Injection Eu				
E 56104403	Kit-On Board Charger Eu				

BRUSH SELECTOR GUIDE

We provide brushes and pad holders that will give you the best possible performance between machine and floor. Following are descriptions of the materials and their applications.

- Soft Nylon:** Bristles are made from light-duty polypropylene for general scrubbing when you do not want to scratch or remove finish from the floor. Recommended for use in place of red pads.
- Poly:** Polypropylene material for medium-duty scrubbing on concrete, terrazzo and vinyl floor tile. Recommended for use in place of green or blue pads.
- Lite Grit:** For light scrubbing when used wet; buffing or polishing when used dry on urethane coated, sealed concrete or other resilient hard surface floors. Recommended for use in place of red or white pads.
- Medium Grit:** For general purpose scrubbing of sealed or unsealed concrete, stone, terrazzo, quarry tile and other resilient hard floor surfaces. Recommended for use in place of green or blue pads.
- Heavy Grit:** For aggressive, heavy-duty scrubbing or stripping of floors. Recommended for use in place of brown pads.

20" Disk Scrub Brushes

- 56505790 - Pad Holder
- 56505791 - Magnagrit
- 56505792 - Dyna Grit
- 56505793 - Aglite
- 56505794 - Prolene
- 56505795 - Prolite
- 56505796 - Union Mix
- 56505797 - Midgrit
- 56505798 - Midlite
- 976170 - Pads Cs 20 Black Thin (Qty 5)
- 976070 - Pads Cs 20 Brown 51 (Qty 5)
- 976069 - Pads Cs 20 Blue 51 (Qty 5)

DISC BRUSH APPLICATION GUIDE (SUGGESTION ONLY)

Application	Heavy Grit	Medium Grit	Lite Grit	Poly	Soft Nylon
Stripping:					
Concrete	X				
Terrazzo	X				
Ceramic/Quarry tile	X				
Vinyl tile	X				
General Scrubbing:					
Concrete	X	X	X	X	
Terrazzo		X	X	X	
Ceramic/Quarry tile		X	X	X	
Marble			X	X	X
Vinyl tile		X	X	X	
Raised-rubber tile			X	X	X

SQUEEGEE BLADE SELECTOR GUIDE

Red Gum Rubber: Provides longest life on finished or unfinished concrete floors.

Polyurethane: Oil resistance provides superior life in applications with oily floors.

SQUEEGEE BLADE APPLICATION GUIDE(SUGGESTION ONLY)		
Performance Traits	Red Gum Rubber (Natural Rubber)	Polyurethane/ Pentathane
Resilience		X
Tear Strength		X
Abrasion Resistance	X	X
Wear Resistance	X	X
Low Temp Flexibility	X	
High Temp Flexibility		X
Ozone Resistance		
Chemical Resistance		X
Applications		
Oil Resistant Applications		X
General Purpose	X	X
Hot Water Applications	X	X
Chemical Applications		X
Color	Red	Translucent

Nilfisk-Advance A/S
Sognevej 25 • DK-2605 Brøndby • Denmark
Tel: +45 43 23 81 00 • Fax: +45 43 43 77 00
www.nilfisk-advance.com

