

ES300

Instructions for use

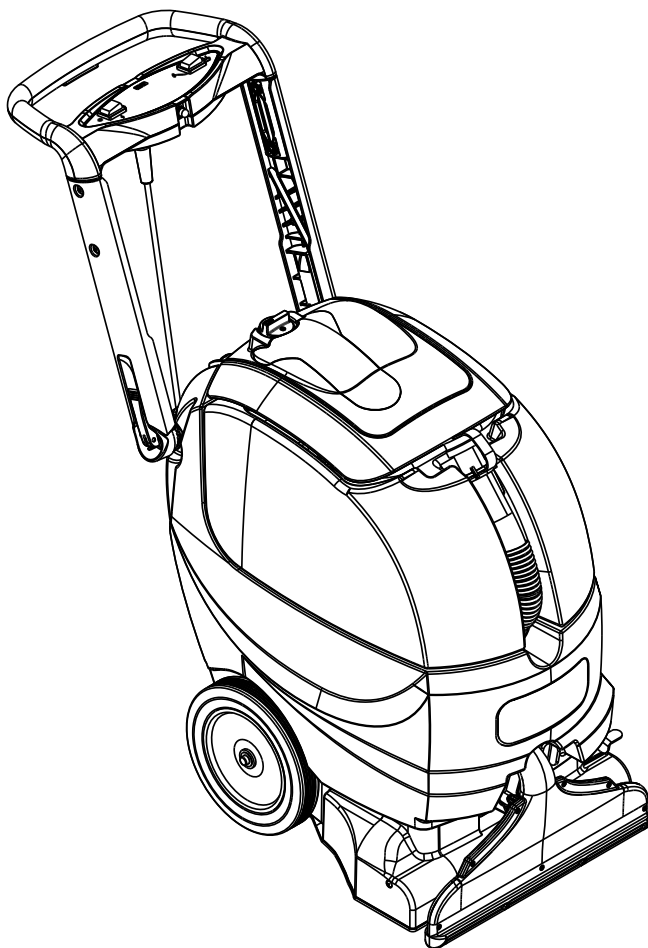
Instructions for Use
Original Instructions
Kullanım Talimatları
Инструкции за употреба
Instrucțiuni de utilizare



9/2015 revised 8/2016 REV B
Form no. 56091180



A-English
B-Türkçe
C-български
D-Românesc



Model:
56265503



TABLE OF CONTENTS

| | Page |
|--|-------------|
| Introduction | A-3 |
| Parts and Service | A-3 |
| Nameplate | A-3 |
| Uncrating the Machine..... | A-3 |
| Cautions and Warnings | A-4 |
| Grounding Instructions | A-5 |
| Know Your Machine – ES300 | A-6 – A-7 |
| Know Your Control Panel | A-8 |
| Preparing the Machine for Use | |
| Filling the Solution Tank..... | A-9 |
| Before Using..... | A-9 |
| Pre-Spraying the Carpet..... | A-9 |
| Plan for Cleaning | A-9 |
| Operation | |
| Operating the Machine | A-10 – A-11 |
| Using Attachments..... | A-10 – A-11 |
| Hard Floor Kits..... | A-11 |
| After Use | |
| After Using the Machine | A-12 |
| Maintenance | |
| Maintenance Schedule | A-12 |
| Vacuum Shoe Maintenance..... | A-12 |
| Spray Nozzle Maintenance..... | A-13 |
| Power Cord Maintenance..... | A-13 |
| Power Brush Maintenance | A-13 |
| Removing the Brush..... | A-13 |
| Troubleshooting | A-14 |
| Accessories / Options..... | A-15 |
| Technical Specifications | A-15 |

INTRODUCTION

This manual will help you get the most from your Nilfisk™ carpet extractor. Read it thoroughly before operating the machine.

This product is intended for commercial use only.

PARTS AND SERVICE

Repairs, when required, should be performed by your Authorized Nilfisk Service Center, who employs factory trained service personnel, and maintains an inventory of Nilfisk original replacement parts and accessories.

MODIFICATIONS

Modifications and additions to the cleaning machine which affect capacity and safe operation shall not be performed by the customer or user without prior written approval from Nilfisk, Inc. Unapproved modifications will void the machine warranty and make the customer liable for any resulting accidents.

NAMEPLATE

The Model Number (also known as Part Number) and Serial Number of your machine are shown on the Nameplate, located on the rear base of the machine. This information is needed when ordering repair parts for the machine. Use the space below to note the Part Number and Serial Number of your machine for future reference.

PART NO. _____

SERIAL NO. _____

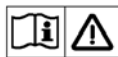
UNCRATING THE MACHINE

When the machine is delivered, carefully inspect the shipping carton and the machine for damage. If damage is evident, save the shipping carton so that it can be inspected. Contact the Nilfisk Customer Service Department immediately to file a freight damage claim.

IMPORTANT SAFETY INSTRUCTIONS

This machine is only suitable for commercial use, for example in hotels, schools, hospitals, shops and offices other than normal residential housekeeping purposes.

When using an electrical appliance, basic precautions should always be followed, including the following:



Read all instructions before using this appliance.

WARNING!

To reduce the risk of fire, electric shock, or injury:

- Do not leave the appliance when it is plugged in. Unplug the unit from the outlet when not in use and before servicing.
- To avoid electric shock, do not expose to rain. Store indoors.
- This machine is not intended for use by persons (including children) with reduced physical, sensory or mental capabilities, or lack of experience and knowledge.
- Do not allow to be used as a toy. Close attention is necessary when used near children.
- Use only as described in this manual. Use only the manufacturer's recommended attachments.
- Do not use with damaged cord or plug. If the appliance is not working as it should be, has been dropped, damaged, left outdoors or dropped into water, return it to a service center.
- Do not pull or carry by the cord, use the cord as a handle, close a door on the cord, or pull the cord around sharp edges or corners. Do not run the appliance over the cord. Keep the cord away from heated surfaces.
- Do not unplug by pulling on the cord. To unplug, grasp the plug, not the cord.
- Do not handle the plug, cord or appliance with wet hands.
- Do not put any object into openings. Do not use with any opening blocked; keep free of dust, lint, hair, and anything that may reduce air flow.
- Keep loose clothing, hair, fingers, and all parts of body away from openings and moving parts.
- Do not pick up anything that is burning or smoking, such as cigarettes, matches, or hot ashes, or any health endangering dusts.
- Turn off all controls before unplugging.
- Use extra care when cleaning on stairs.
- Do not use to pick up flammable or combustible liquids such as petrol or use in areas where they may be present.
- If foam or liquid comes out with the vacuum exhaust, switch power off immediately. Verify that there are no foreign objects obstructing the float ball from moving freely. Contact Nilfisk if the problem persists.
- Liquid ejected at the spray nozzle could be dangerous as a result of its temperature, pressure or chemical content.
- Only use the brushes provided with the appliance or those specified in the instruction manual. The use of other brushes may impair safety.

SAVE THESE INSTRUCTIONS

GROUNDING INSTRUCTIONS

This appliance must be grounded. If it should electrically malfunction, grounding provides a path of least resistance for electric current to reduce the risk of electric shock. This appliance is equipped with a cord having an equipment-grounding conductor and grounding plug. The plug must be plugged into an appropriate outlet that is properly installed and grounded in accordance with all local codes and ordinances.

DANGER!

Improper connection of the equipment-grounding conductor can result in a risk of electric shock. Check with a qualified electrician or service person if you are in doubt as to whether the outlet is properly grounded. Do not modify the plug provided with the appliance. If it will not fit the outlet, have a proper outlet installed by a qualified electrician.

Replace the plug if the grounding pin is damaged or broken.

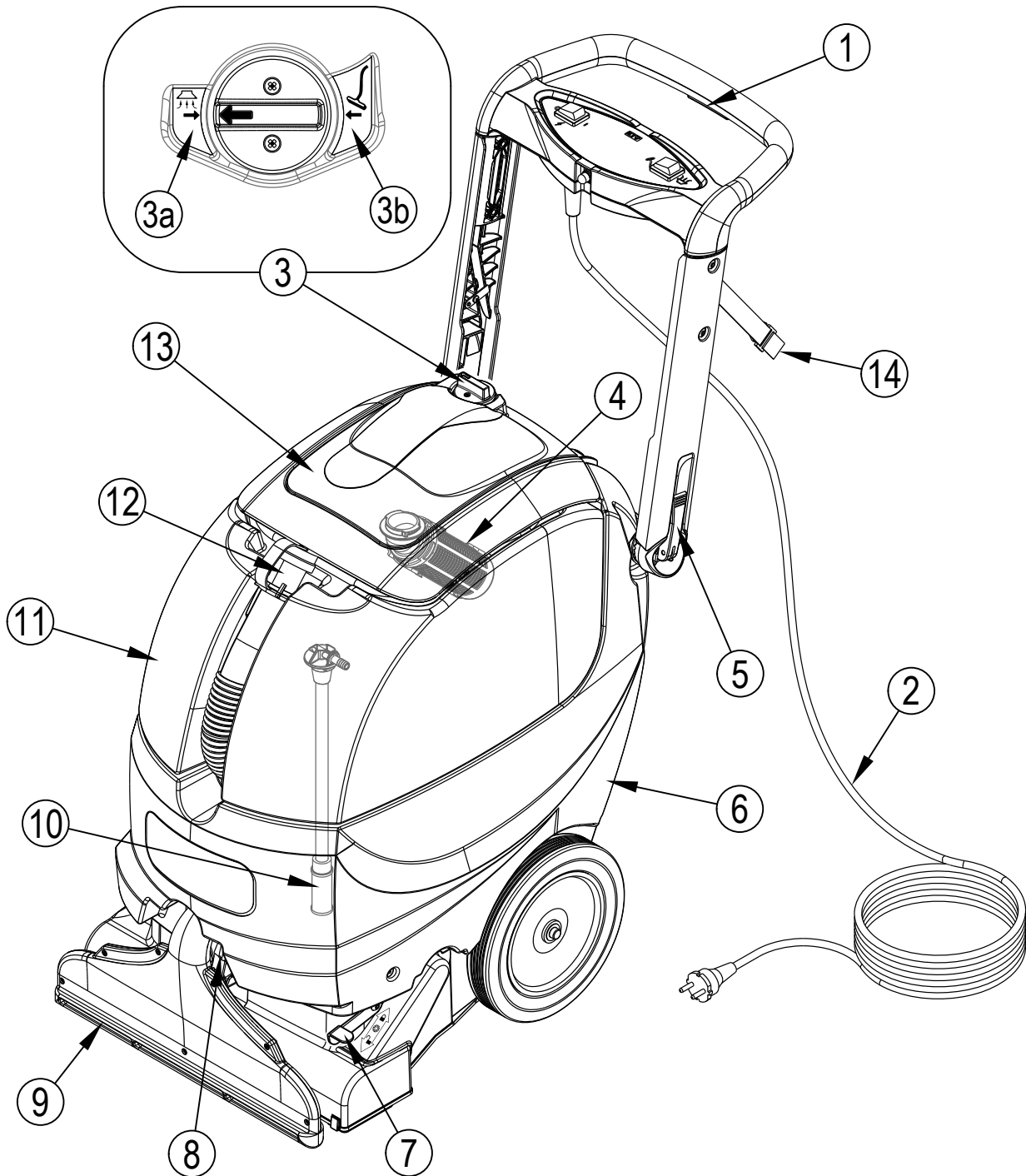
The Green (or Green/Yellow) wire in the cord is the grounding wire. When replacing a plug, this wire must be attached to the grounding pin only. Extension cords connected to this machine should be 2.5mm² (12 AWG), three-wire cords with three-prong plugs and outlets. DO NOT use extension cords more than 15 M (50 ft) long.

WARNING!

- If an extension cord is used, the plug and socket must be of watertight construction.
- Inadequate extension cords can be dangerous.

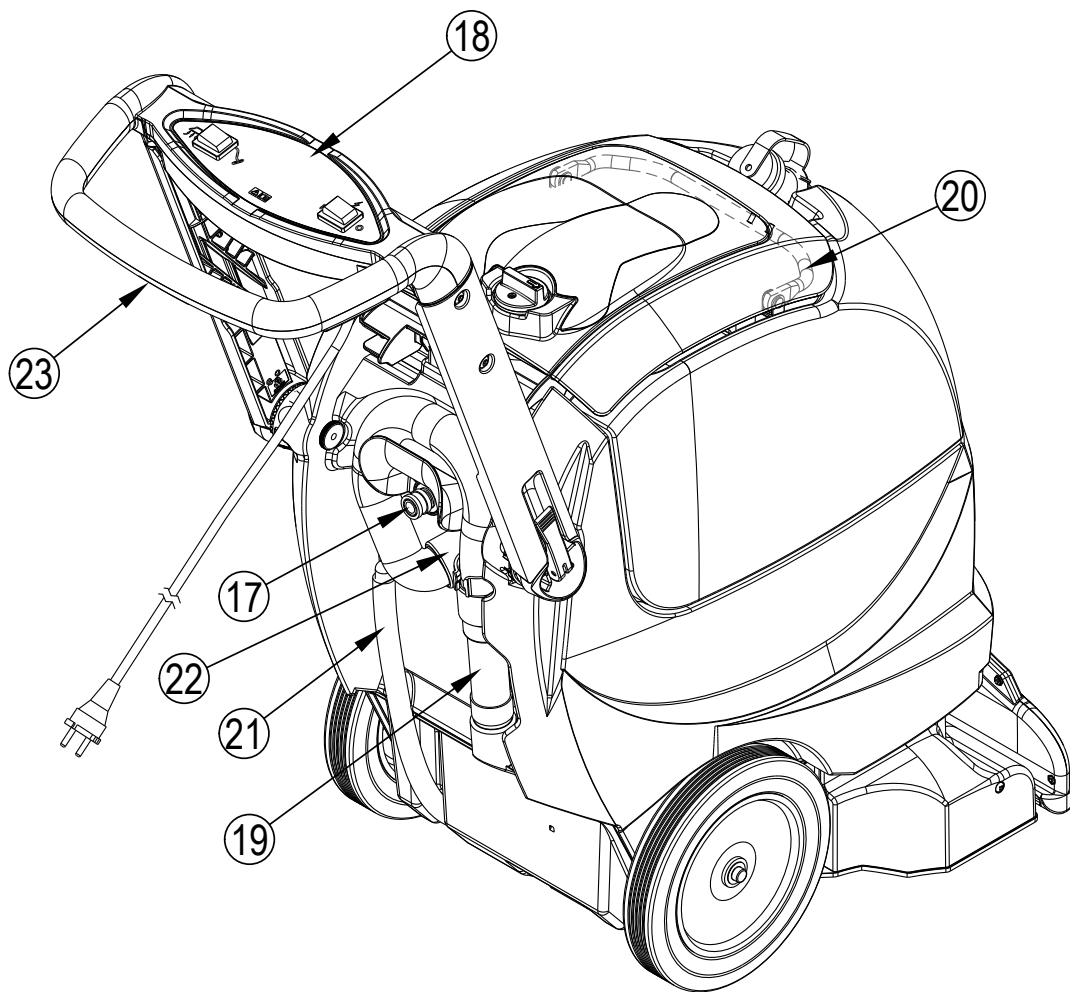
KNOW YOUR MACHINE – ES300

- | | | | |
|----|--|----|---------------------------|
| 1 | Solution Switch | 7 | Brush Storage Lift Lever |
| 2 | Power Cord | 8 | Vacuum Shoe Release Lever |
| 3 | Vacuum Mode Selector Knob | 9 | Vacuum Shoe |
| 3a | Vacuum Shoe Mode | 10 | Solution Filter |
| 3b | Accessory Mode | 11 | Recovery Tank |
| 4 | Automatic Float Shut-Off | 12 | Recovery Tank Drain Hose |
| 5 | Handle Angle Adjust Release Levers (quantity of 2) | 13 | Recovery Tank Dome Lid |
| 6 | Solution Tank | 14 | Cord Retainer Strap |



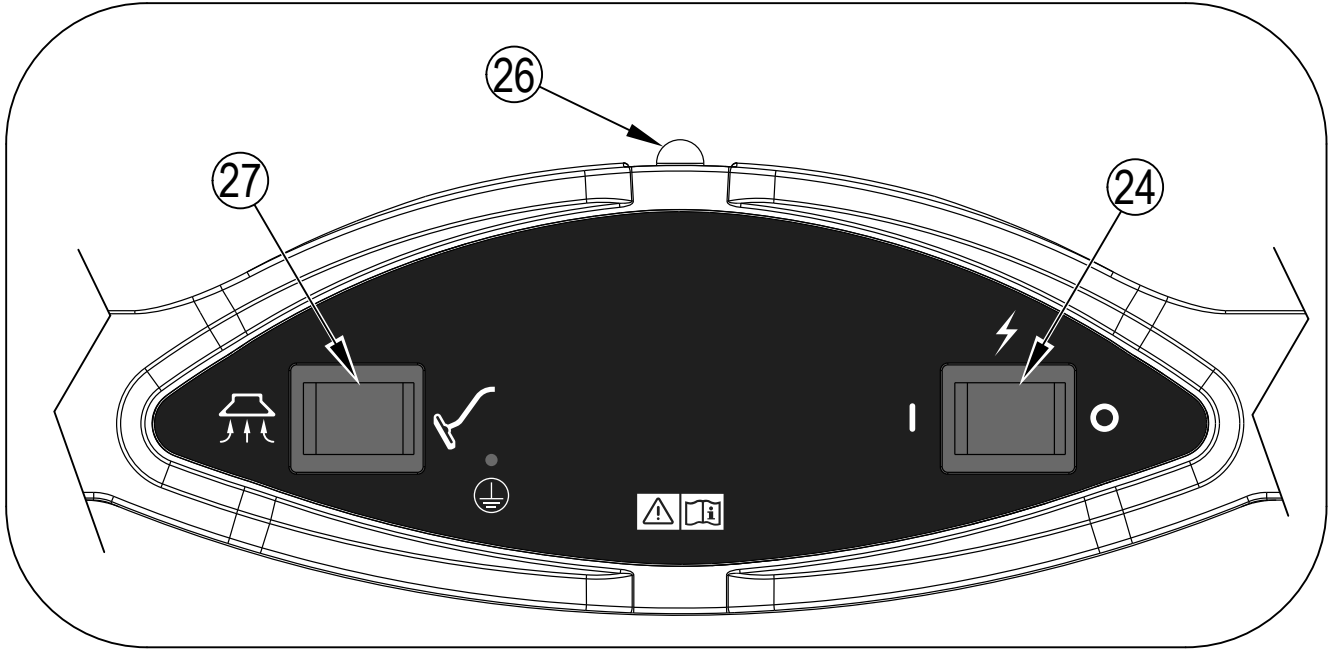
KNOW YOUR MACHINE – ES300

- 17 Accessory Solution Port
- 18 Control Panel
- 19 Hand Tool (Optional)
- 20 Recovery Tank Handle
- 21 Solution Drain Hose / Level Indicator
- 22 Accessory Vacuum Hose Port
- 23 Handle Assembly



KNOW YOUR CONTROL PANEL

- 24 Main Power Switch
- 26 Circuit Breaker 5 Amp
- 27 Vacuum Shoe / Accessory Switch



PREPARING THE MACHINE FOR USE

FILLING THE SOLUTION TANK

- 1 Turn the power switch to off (O) and then unplug the machine.
- 2 Open the Recovery Tank Dome Lid (13). Use the Recovery Tank Handle (20) and lift the recovery tank from the machine then set it off to the side.
- 3 Read the dilution instructions on the detergent container. Then calculate the proper amount of detergent to mix with your machine's solution tank capacity of water; 34 Liters (9 Gallons).

⚠ CAUTION!

Use low-sudsing, liquid detergents designed for carpet extraction.

- 4 **See Figure 4.** Pour the detergent into the solution tank and fill the tank with hot water (maximum temperature 54°C/130°F). Do not overfill the solution tank. The maximum fill point is when the solution level reaches the bottom of the lip on the tank opening (A).

NOTE: The Solution Tank has a built in Hose Holder (B) which can be used to secure the end of the hose while filling the tank.

- 5 Put the Recovery Tank back on the machine. Make sure the Recovery Tank is properly seated on the Solution Tank.
- 6 Place the Dome Lid (13) back down onto the recovery tank.

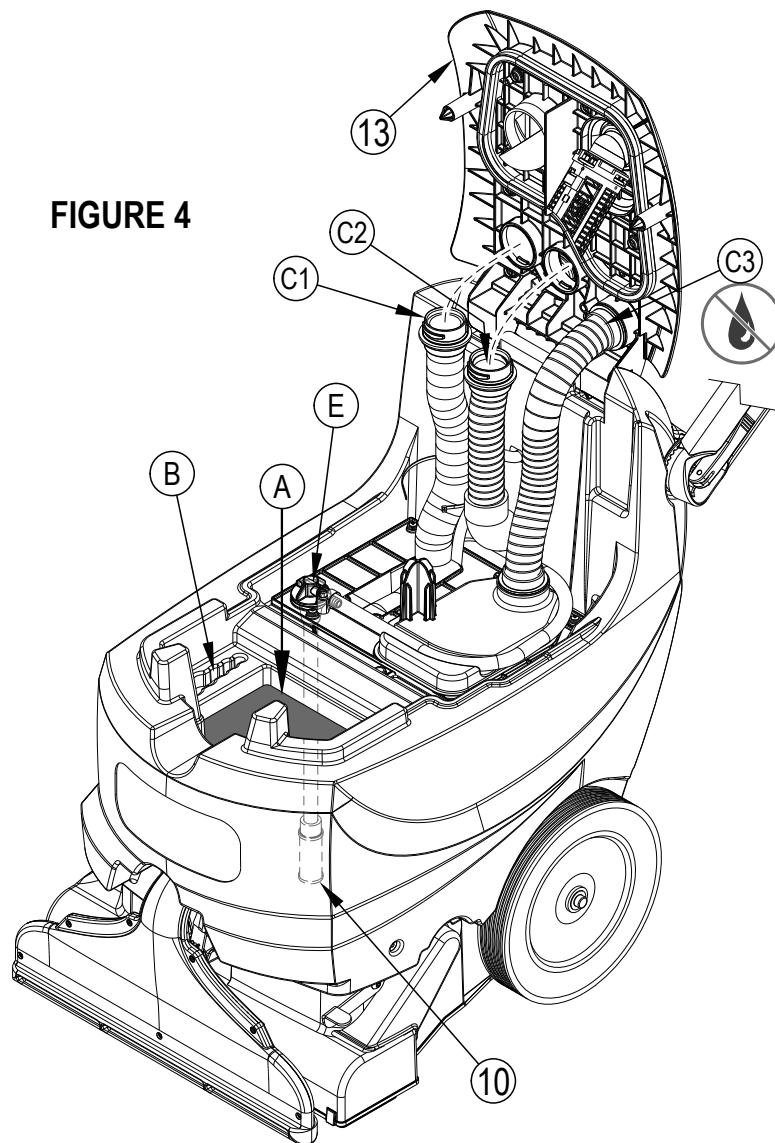
NOTE: The hoses (C1, C2 & C3) that connect to the dome lid attach by pushing the hose into the dome lid opening and turning 1/4 turn clockwise to lock in.

Hose C1 = Vacuum Shoe Hose

Hose C2 = Accessory (wand or hand tool) Hose

Hose C3 = Vacuum Motor Hose (Do Not allow water or foam to enter this hose)

FIGURE 4



BEFORE USING THE MACHINE

Thoroughly vacuum the carpet to be cleaned before using the automatic extractor.

PRE-SPRAYING THE CARPET

Pre-spray spots and heavy traffic areas before extracting. Use a hand-held bottle sprayer or a pressurized "Hudson" type sprayer. Mix the pre-spray according to the detergent manufacturer's directions.

PLAN FOR CLEANING

Before you begin extracting, look at the area to be cleaned and plan your work. Divide the space into sections. Overlap each pass 2 inches (5 cm).

OPERATING THE MACHINE

- 1 Follow the instructions in the *Preparing the Machine for Use* section of this manual.
- 2 **See Figure 5.** Pull out the Handle Angle Adjust Release Levers (5) to unlock the handle position. Adjust the handle height to the most comfortable position for the operator. Push in Levers (5) to lock handle into position.
- 3 Press the Vacuum Shoe / Accessory Switch (27) to the vacuum shoe position.
- 4 Unlock (press down) Brush Storage Lever (7) so that the brush is in contact with the floor.
- 5 Rotate the Vacuum Mode Selector Knob (3) to the Vacuum Shoe position (3a) for extracting. **NOTE:** The Knob (3) must be turned all the way until the two arrows are pointing at each other, to get a complete seal.
- 6 Plug the machine into a properly grounded outlet. Turn Main Power Switch (24) to the On (I) position to start the vacuum motor, solution pump and brush motor.
- 7 Continually hold the Solution Switch (1) to dispense solution. Once the Solution Switch (1) is released the solution flow will stop.
- 8 Begin cleaning by pulling the machine along in a straight line and overlap each pass by 2 inches (5 cm). Release the Solution Switch (1) prior to turns to ensure complete extraction of solution from carpet.
- 9 Watch the fluid entering the Recovery Tank Dome Lid (13). If there is a large amount of suds in the recovery tank, add a defoamer chemical to the recovery tank.

CAUTION!

Empty the recovery tank before the fluid or foam enters the vacuum motor.

If there is little or no fluid entering the recovery tank, check the Solution Drain Hose / Level Indicator (21), the solution tank may be empty. Refill the solution tank with water and the proper ratio of cleaning detergent.

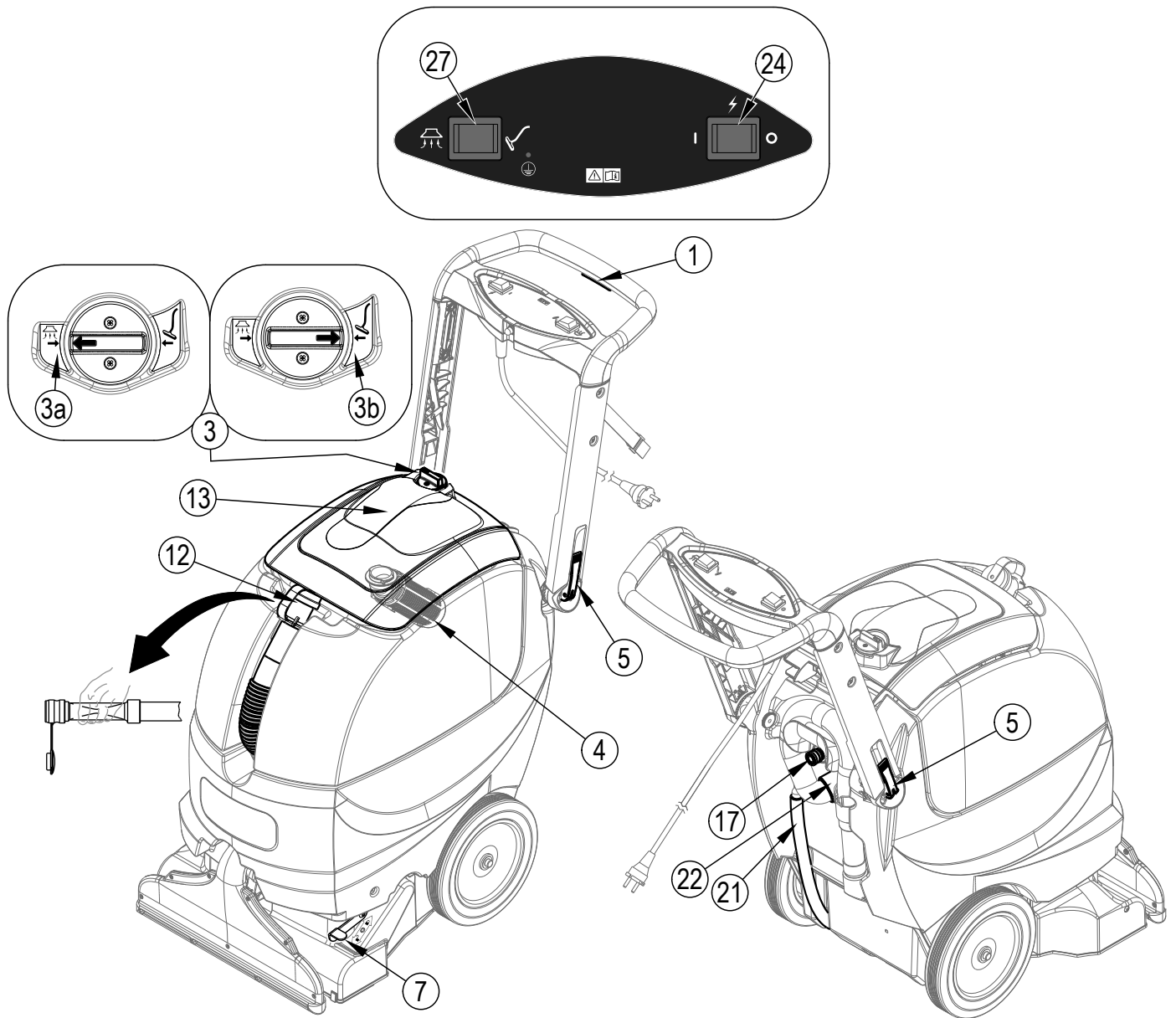
- 10 The recovery tank has an Automatic Float Shut-Off (4) to block the vacuum system when the recovery tank is full. You can tell when the float closes by the sudden change in the sound of the vacuum motor. When the float closes, the recovery tank must be emptied. The machine can continue to dispense solution, but **will not** pick up water with the float closed.
- 11 When the operator wants to stop cleaning or the recovery tank is full, release the Solution Switch (1). Then turn the main power switch Off (O) and unplug the machine. Lock (pull up) Brush Storage Lift Lever (7) to place the brush in the storage position.
- 12 Move the machine to a designated waste water "DISPOSAL SITE" and empty the recovery tank. To empty, pull the Recovery Tank Drain Hose (12) from its front storage hanger, then remove the plug (hold the end of the hose above the water level in the tank to avoid sudden, uncontrolled flow of waste water). Refill the solution tank and continue cleaning.

USING ATTACHMENTS

To use accessory tools:

- 1 Rotate the Vacuum Mode Selector Knob (3) to the Accessory position (3b) for attachments. **NOTE:** The Knob (3) must be turned all the way until the two arrows are pointing at each other, to get a complete seal.
- 2 Attach the accessory's recovery hose to the machine's Accessory Vacuum Port (22).
- 3 Attach the accessory's solution hose to the machine's Accessory Solution Port (17).
- 4 Press the Vacuum Shoe / Accessory Switch (27) to the accessory position.
- 5 Press the Main Power Switch (24) to the On (I) position to activate the vacuum motor and solution pump. See your Nilfisk Distributor for accessories that may be used with the ES300.

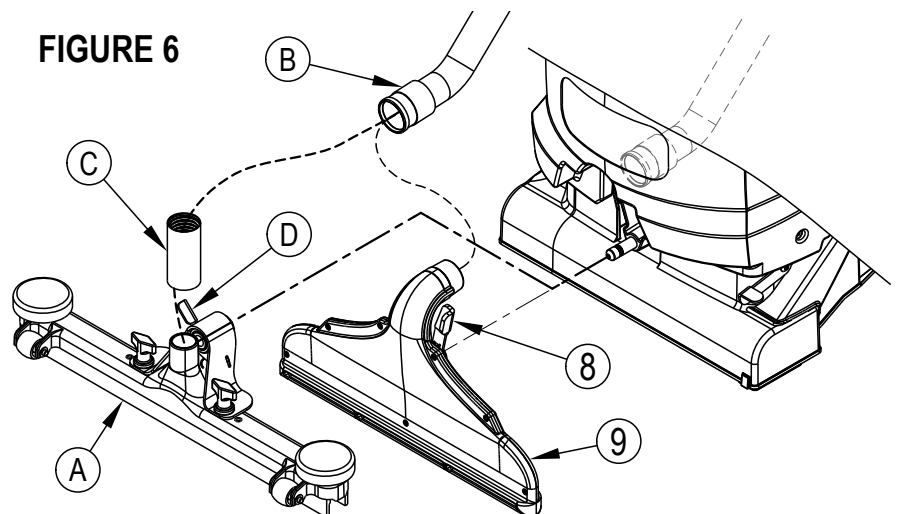
FIGURE 5



HARD FLOOR KITS

The vacuum shoe can be removed and replaced with an optional Squeegee Tool (A) for use on hard floors. See Figure 6. Push and hold in the Vacuum Shoe Release Lever (8) and slide the Vacuum Shoe (9) off of its mounting pin. Then disconnect the Recovery Hose (B) from the vacuum shoe and connect it to Hose Cuff (C) then Squeegee Tool (A). Attach the squeegee tool to the machine at the same mounting location used for the vacuum shoe, simply push the Release Lever (D) and slide the squeegee tool into place. **NOTE:** Hard floor applications can require the use of a different brush. Brush selector guide and part numbers can be found in the Parts List.

FIGURE 6



AFTER USING THE MACHINE

- 1 Turn the Power Switch OFF (O). Unplug the Power Cord (2). Coil the cord and hang it from the Cord Retainer Strap (14).
- 2 To empty the recovery tank, take the Recovery Drain Hose (12) off its hanger. Direct the hose to a designated waste water "DISPOSAL SITE" and remove the plug (hold the end of the hose above the water level in the tank to avoid sudden, uncontrolled flow of waste water). Rinse the tank with clean water. Inspect the recovery and drain hoses; replace if kinked or damaged.
- 3 To empty the solution tank, pull the Solution Drain Hose (21) off the elbow. Direct the hose to a designated waste water "DISPOSAL SITE". Rinse the tank with clean water. Inspect the solution hoses; replace if kinked or damaged.
- 4 Remove the brush, rinse with warm water and remove any built-up string, hair or carpet fibers.
- 5 Disconnect the Recovery Hoses C1 and C2 (See Figure 4) from the Recovery Tank Dome Lid (13) and flush with warm water to wash any debris out of the Recovery Hose and Vacuum Shoe. Do not flush hose C3 as this connects to the vacuum motor.
- 6 Wipe the machine with a damp cloth. Do not use abrasive chemicals or solvents.
- 7 Perform any required maintenance before storage. See *Maintenance Schedule*.
- 8 Store the machine indoors in a clean, dry place with the tank dome lid open. Keep from freezing.
- 9 Place the machine in the storage position. This will prevent the brush from taking a set which will increase the brush life and maintain the performance of the brush. Lift up on the Brush Lift Lever (7) until the lever locks into the up storage position.

MAINTENANCE SCHEDULE

| MAINTENANCE ITEM | Daily | Weekly | Yearly |
|--|-------|--------|--------|
| Check / Clean Power Brush | X | | |
| Check / Clean Tanks & Hoses | X | | |
| Check / Clean Vacuum Shut-Off Float | X | | |
| Clean Vacuum Shoe | X | | |
| Clean "Maintenance" Spray Nozzle | | X | |
| Inspect & Clean Solution Filter | | X | |
| *Flush a vinegar mixture through solution system | | | X |
| **Check Carbon Brushes | | | X |

* Once a year or after 300 operating hours flush a white vinegar mixture (one quart vinegar to two gallons of water) through the machine. This will help prevent a build-up of alkaline residue in the solution system.

** Have a Nilfisk service technician check the vacuum motor carbon brushes once a year or after 300 operating hours. The brush motor carbon brushes check every 500 hours or once a year.

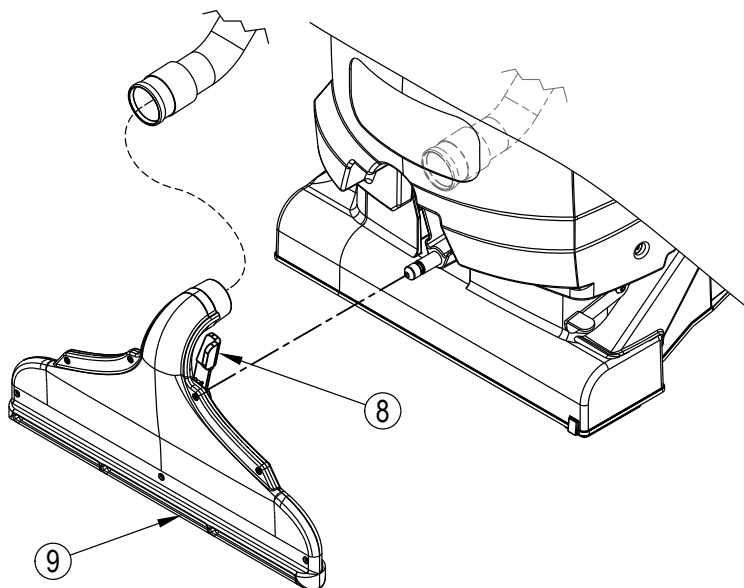
IMPORTANT!

Motor damage resulting from failure to service the carbon brushes is not covered under warranty. See the Limited Warranty Statement.

VACUUM SHOE MAINTENANCE

Check the vacuum shoe daily. Remove any built-up string, hair or carpet fibers. See Figure 7. Push and hold in the Vacuum Shoe Release Lever (8) and slide the Vacuum Shoe (9) off of its mounting pin. Then disconnect the recovery hose from the vacuum shoe.

FIGURE 7



SPRAY NOZZLE MAINTENANCE

Remove the Maintenance Spray Nozzle (A) once a week. See Figure 8. Turn the nozzle 1/4 turn counterclockwise to remove. Soak the nozzle overnight in vinegar to remove chemical deposits. Do not use pins, wire, or similar to clean nozzle as this could destroy spray pattern.

SOLUTION FILTER MAINTENANCE

Once a week (or more often if necessary), inspect and clean the Solution Filter (10). Drain the recovery and solution tanks. Lift the recovery tank from the machine and set it off to the side. See Figure 4. Keep the solution hose connected and turn the Filter Assembly (E) 1/4 turn counterclockwise to loosen. Pull the filter assembly straight up and out of the solution tank. Reinstall after cleaning by following steps in reverse order.

POWER CORD MAINTENANCE

Once a week (or more often if necessary), check the power cord for cracked or damaged insulation, exposed wires in the cord or plug, and damaged or missing ground pin. Replace damaged cord or plug **immediately**.

POWER BRUSH MAINTENANCE

Check the brush daily. Remove any built-up string, hair or carpet fibers. When the machine is not in use it should be placed in the storage position. This will prevent the brush from taking a set which will increase the brush life and maintain the performance of the brush.

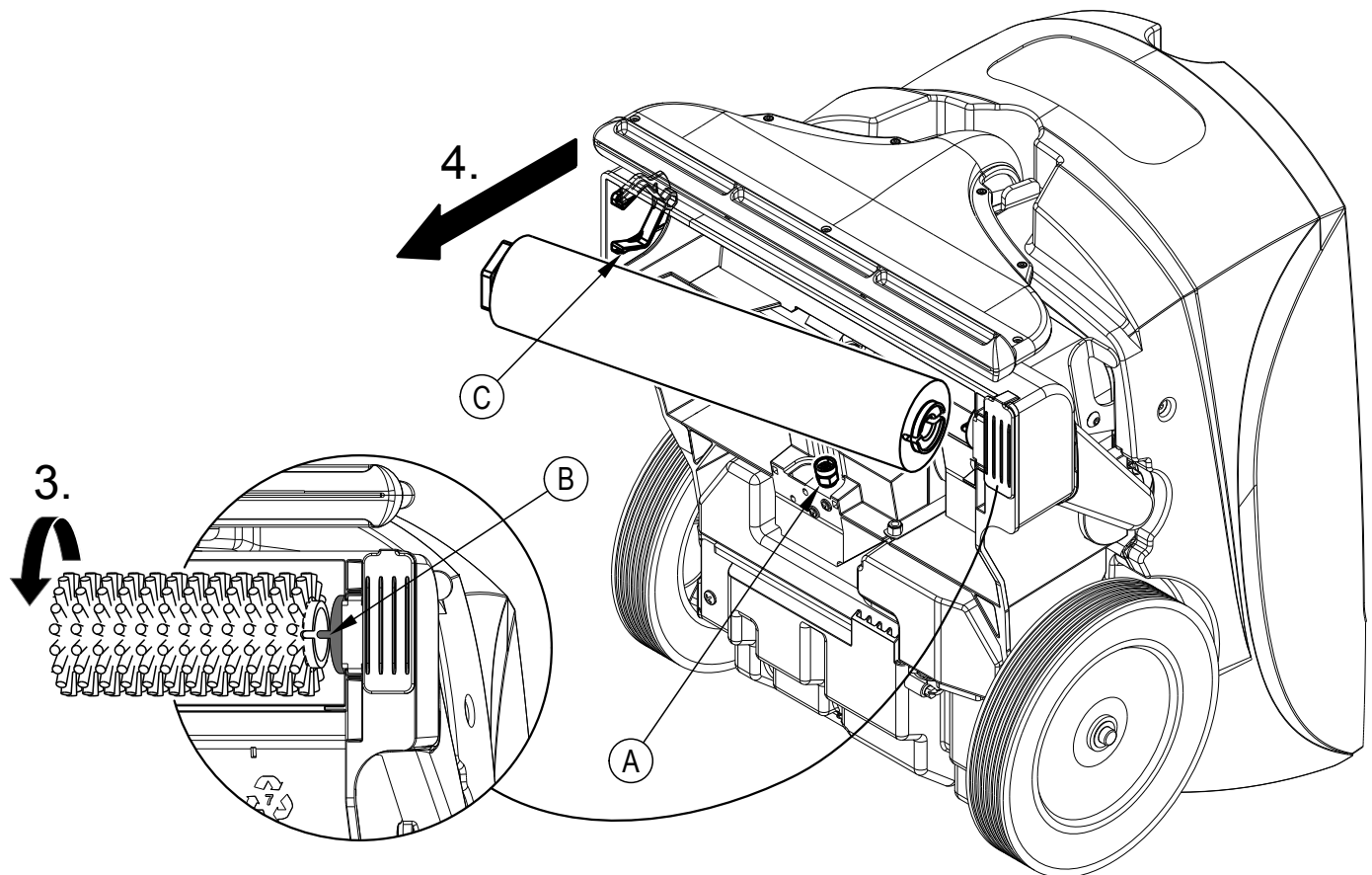
REMOVING THE BRUSH

⚠ CAUTION!

Turn the power switch off (O) and unplug the machine, before changing the brushes.

- 1 Empty both the recovery and solution tanks. Open the recovery tank dome lid. Lift the recovery tank from the machine and set it off to the side.
- 2 Place the Handle Assembly (23) into a vertical position and tip the machine over onto its back.
- 3 See Figure 8. Rotate the brush until the Drive Lug (B) is in a position where the fins on the drive lug are parallel to the floor.
- 4 Grab the brush at the end with the Brush Retainer Clip (C) and pull straight out.
- 5 Install a new brush at the drive lug end first then push in the other brush end in until it snaps into the retainer clip.

FIGURE 8



TROUBLESHOOTING

If the possible causes listed below are not the source of trouble, it is a symptom of something more serious. Contact your Nilfisk Service Center immediately for service.

TRIPPING THE CIRCUIT BREAKER

The Circuit Breaker (26) is located on the Control Panel; it protects the electrical circuit and brush motor from damage due to overload conditions. If the circuit breaker is tripped try to determine the cause.

Brush Circuit Breaker (5 Amp) Possible cause may be:

- 1 Debris wrapped around the brush drive (remove debris)
- 2 Electrical short circuit (have your Nilfisk Service Center or qualified electrician check the machine)

Once the problem has been corrected, push the button in to reset the circuit breaker. If the button does not stay in, wait 5 minutes and try again. If the circuit breaker trips repeatedly, call your Nilfisk Service Center for service.

POOR WATER PICKUP

Possible causes may be:

- 1 Vacuum Mode Selector Knob (3) is set to the wrong mode or not properly seated (rotate knob fully to align with arrow icon)
- 2 Recovery Tank Full (empty recovery tank)
- 3 Open recovery tank drain hose (secure drain hose cap or replace)
- 4 Recovery hose not connected at vacuum shoe (connect hose to vacuum shoe)
- 5 Recovery hoses not connected to the correct ports in the dome lid (connect hoses to correct ports)
- 6 Recovery hose is kinked or damaged (replace the hose)
- 7 Debris caught in vacuum shoe, mode selector paddle or recovery hose (clean vacuum shoe, mode selector and recovery hose)
- 8 Recovery tank dome lid gasket leak (replace gasket)
- 9 Seal on mode selector paddle is worn or missing (replace seal)

INADEQUATE SOLUTION FLOW

Possible causes may be:


- 1 Solution tank empty (fill solution tank)
- 2 Solution lines or solution filter clogged (flush lines and filter)
- 3 Solution line not connected to filter assembly (connect solution line)
- 4 Spray nozzle is plugged (clean spray nozzle)

ACCESSORIES / OPTIONS

In addition to the standard components, the machine can be equipped with the following accessories/options, according to the machine's specific use.

- Brushes with harder or softer bristles
- Upholstery hand tool
- Different wand and hose options

TECHNICAL SPECIFICATIONS (as installed and tested on the unit)

| Model | | Nilfisk ES300 |
|--|------------------|---|
| Model No. | | 56265503 |
| Voltage/frequency | V / Hz | 220 -240 / 50-60 |
| Rated Current | Amp | 7.6 |
| Protection Class (electrical) | |  |
| Protection Grade | | IPX4 |
| Sound Pressure Level IEC 60335-2-68: 2012 Amend. 1:2005, ISO 11203 | dB(A)/20μPa | ≤70 |
| Vibrations at the Hand Controls IEC 60335-2-68: 2012 Amend. 1:2005, EN ISO 5349-1: 2001 | m/s ² | 0.39 |
| Machine Width | inch / cm | 19.25 / 48.9 |
| Minimum machine height with adjustable handlebar | inch / cm | 32 / 81.3 |
| Maximum machine height with adjustable handlebar | inch / cm | 46.5 / 118 |
| Minimum machine length with adjustable handlebar | inch / cm | 28 / 71.1 |
| Maximum machine length with adjustable handlebar | inch / cm | 48.25 / 122.5 |
| Solution Tank Capacity | Gallon / L | 9 / 34 |
| Recovery Tank Capacity | Gallon / L | 7 / 26 |
| Gross Weight* | lbs/kg | 102 / 46.3 |

Material Composition and Recyclability

| Type | % of machine weight | % recyclable |
|--------------------------------------|---------------------|--------------|
| Aluminum | 5% | 100% |
| Electrical / motors / engines - misc | 23% | 39% |
| Ferrous metals | 3% | 100% |
| Harnesses / cables | 1% | 83% |
| Liquids | 0% | 0% |
| Plastic - non-recyclable | 10% | 0% |
| Plastic - recyclable | 10% | 100% |
| Polyethylene | 42% | 90% |
| Rubber | 7% | 33% |