

# PARTS LIST

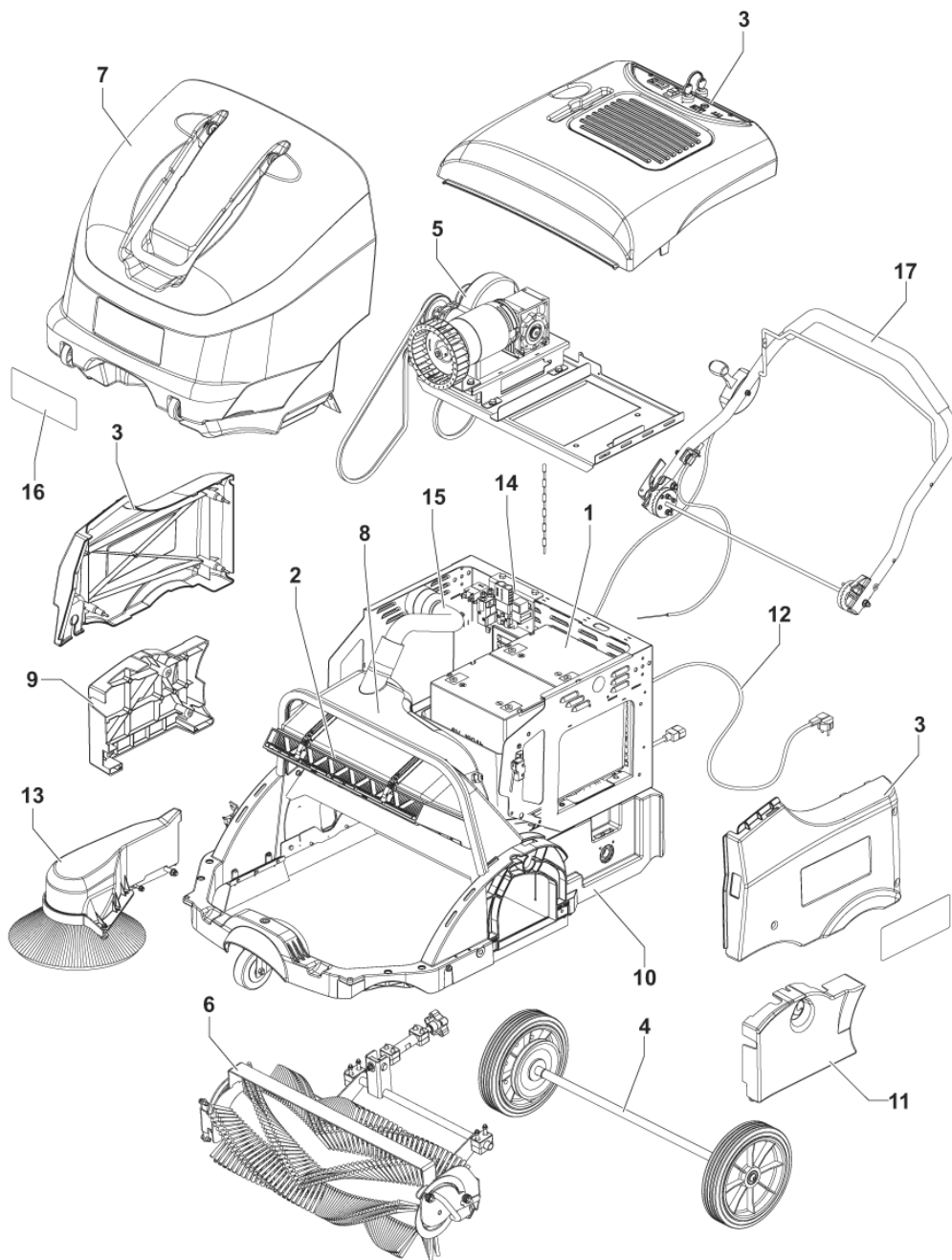


2018.02.09

# TABLE OF CONTENTS

---

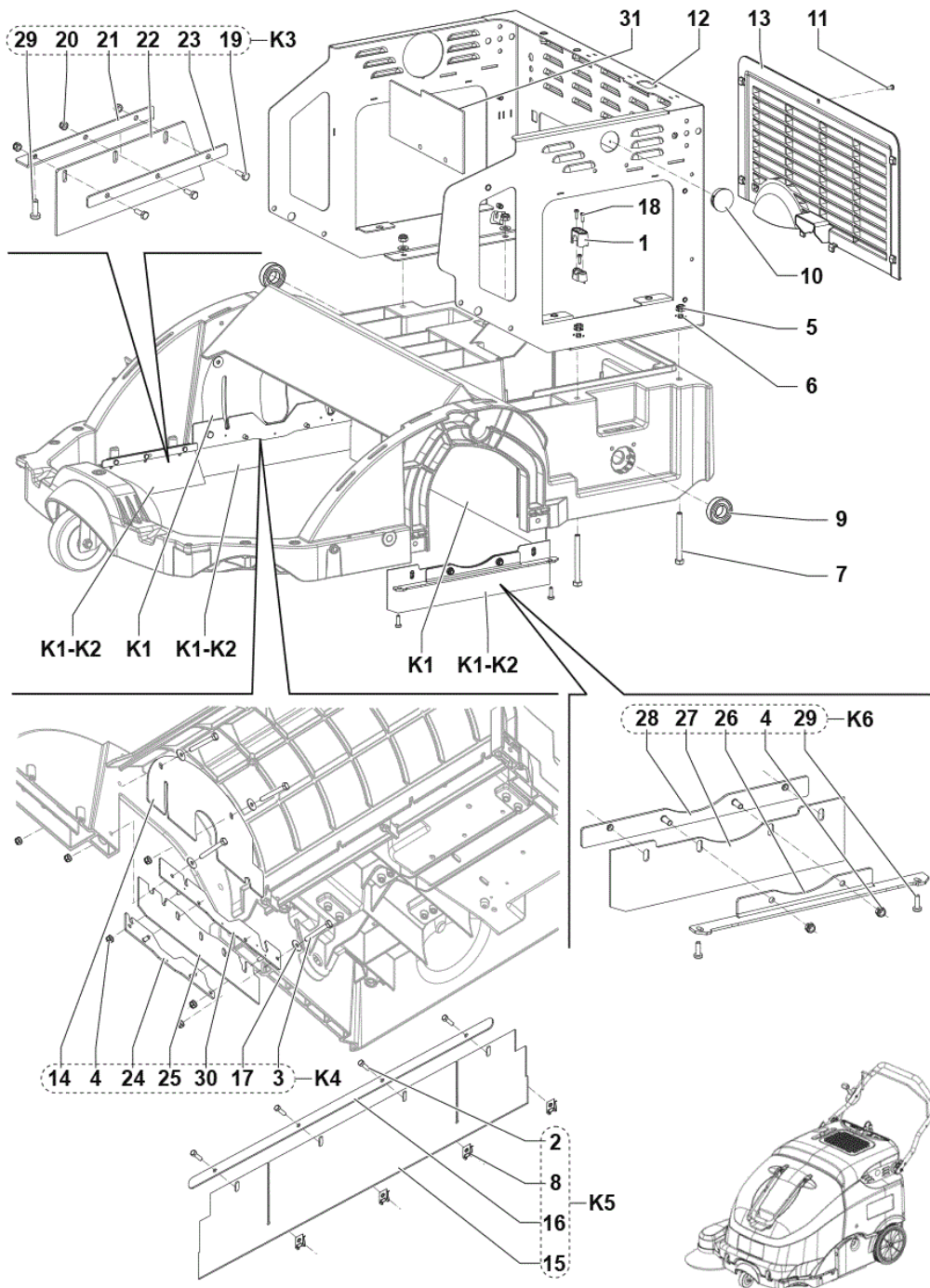
GENERAL VIEW .....	1
FRAME SYSTEM.....	3
SKIRT SYSTEM.....	5
TRANSMISSION SYSTEM.....	7
WHEELS SYSTEM.....	10
RIGHT BROOM.....	12
CHASSIS SYSTEM.....	14
WIRING DIAGRAM.....	16
ACCESSORIES.....	18
COVERS SYSTEM.....	20
CONTROL PANEL SYSTEM.....	22
HANDLE SYSTEM.....	24
MAIN BROOM SYSTEM.....	26
LEFT BROOM (OPTIONAL).....	28
FILTER SYSTEM.....	31
FILTER SHAKER SYSTEM.....	33
HOPPER SYSTEM.....	35
ELECTRICAL SYSTEM.....	37
RECOMMENDED SPARE PARTS.....	39
Option.....	41



No.	Part No.	Qty.	Description	Part Note
1	80564400	1	BATT. 12V-105AH GEL	[1]
1	80563211	2	BATT. 6V-175Ah WET Tubular Monobloc	[1]
1	80564600	1	BATT. 12V-110AH WET	[1]
1	80564000	2	BATT. 6V-180AH GEL	[1]
2		1	FILTER ASSEMBLY	[2]
3		1	COVERS PROTECTION ASSEMBLY	[3]
4		1	WHEELS TRACTION ASSEMBLY	[4]
5		1	TRANSMISSION ASSEMBLY	[5]
6		1	MAIN BROOM ASSEMBLY	[6]
7		1	HOPPER ASSEMBLY	[7]
8		1	SHAKER ELECTRIC FILTER ASSEMBLY	[8]
9		1	HATCH RIGHT ASSEMBLY	[9]
10		1	CHASSIS ASSEMBLY	[10]
11		1	HATCH LEFT ASSEMBLY	[9]
12		1	BATTERY CHARGER ASSEMBLY	[11]
13		1	BROOM RIGHT SIDE ASSEMBLY	[12]
14		1	WIRING SYSTEM ASSEMBLY	[11]
15		1	WET BY-PASS ASSEMBLY	[13]
16	1465458000	1	DECALS SW900 84 B/P KIT	
16	1465459000	1	DECALS SW900 33B KIT	
17		1	HANDLE BAR ASSEMBLY	[14]

## Part Notes:

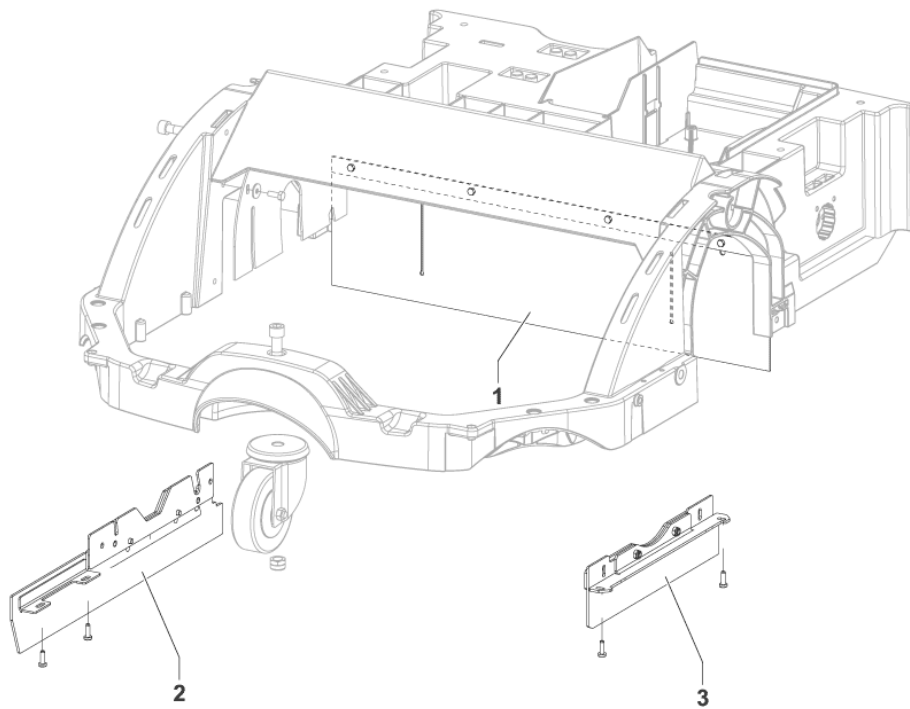
- [1] - OPTIONAL
- [2] - SEEFILTER SYSTEM
- [3] - SEECOVERS SYSTEM
- [4] - SEE WHEELS SYSTEM
- [5] - SEE TRASMISSION SYSTEM
- [6] - SEE MAIN BROOM SYSTEM
- [7] - SEE HOPPER SYSTEM
- [8] - SEE FILTER SHAKER SYSTEM
- [9] - SEE COVERS SYSTEM
- [10] - SEE CHASSIS SYSTEM
- [11] - SEE ELECTRICAL SYSTEM
- [12] - SEE RIGHT BROOM
- [13] - SEE FILTER SYSTEM
- [14] - SEE HANDLE SYSTEM



No.	Part No.	Qty.	Description	Part Note
1		1	K7	
2		4	K5-K7	
3		4	K4-K7	
4		6	K4-K7	
5		4	K7	
6		4	K7	
7		4	K7	
8	1467722000	2	CLIP GALV.FOR SCREW M5 2 PCS SET	
9		2	K7	
10	145 9835 000	1	CAP D.38.1	
11		1	K7	
12	1464654000	1	CHASSIS REAR	[1]
12	1467619000	1	PANEL MET. BLACK F CHASSIS SIP	[2]
13	1464655000	1	GRID REAR VENTING	
14		1	K1-K4	
15		1	K1-K5	
16		1	K5-K7	
17		2	K4-K7	
18		3	K7	
19		3	K3-K7	
20		3	K3	
21		1	K3	
22		1	K1-K3	
23		1	K3	
24		1	K4	
25		1	K1-K4	
26		1	K6	
27		1	K1-K6	
28		1	K6	
29		4	K3-K6	
30		1	K4	
31	1467621000	1	COVER PLASTIC REAR F SLOTS KIT	[2]
K1	1465463000	1	SKIRTS KIT	[3]
K2	1465541000	1	SKIRTS NO MARKING KIT	[4]
K3	1465595000	1	SKIRTS RECYCLING KIT	[3]
K4	1465596000	1	SKIRT RIGHT SIDE KIT	[3]
K5	1465597000	1	SKIRT REAR KIT	[3]
K6	1465598000	1	SKIRT LEFT SIDE KIT	[3]
K7	1465462000	1	HARDWARE REAR CHASSIS KIT	[5]

Part Notes:

- [1] - UNTIL S/N -
- [2] - STARTING FROM S/N -
- [3] - UNTIL MACHINE S.No 3810152500015
- [4] - OPTIONAL
- [5] - NOT SHOWN

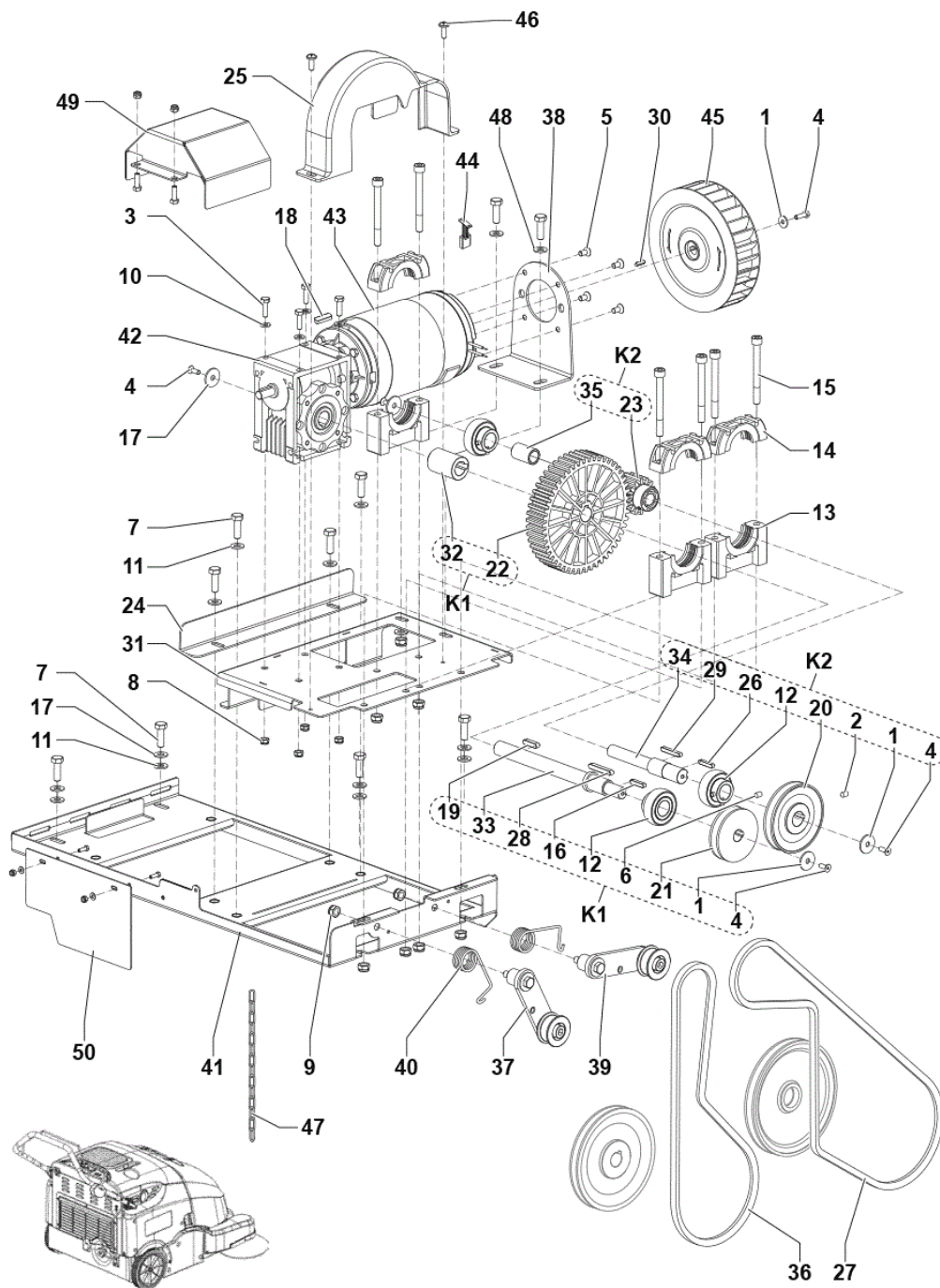


No.	Part No.	Qty.	Description	Part Note
1	1465597000	1	SKIRT REAR KIT	[1]
1	1466491000	1	SKIRT CENTRAL REAR KIT	[2]
2	1465596000	1	SKIRT RIGHT SIDE KIT	[1]
2	1465595000	1	SKIRTS RECYCLING KIT	[1]
2	1466488000	1	SKIRT RECYCLING RT SIDE KIT	[3]
3	1465598000	1	SKIRT LEFT SIDE KIT	[1]
3	1466490000	1	SKIRT LT SIDE KIT	[4]
3	1466489000	1	SKIRT RECYCLING LT SIDE KIT	[5]
4	1465463000	1	SKIRTS KIT	[6]

## Part Notes:

- [1] - TILLMACHINE S.No 3810152500015 - SEE TSB-FC-2015-014
- [2] - STARTING MACHINE S.No 3810152500016 - SEE TSB-FC-2015-014
- [3] - STARTING MACHINE S.No 3810152500016 - SEE TSB-FC-2015-014- INST. INSTR. 1466484000
- [4] - STARTING MACHINE S.No 3810152500016 - SEE TSB-FC-2015-014  
FOR ONE SIDE BROOM ONLY
- [5] - STARTING MACHINE S.No 3810152500016 - SEETSB-FC-2015-014- INST. INSTR. 1466485000  
FOR TWO SIDE BROOMS ONLY
- [6] - TILLMACHINE S.No 3810152500015 - SEE TSB-FC-2015-014  
NOT SHOWN (INCLUDED POS. 1, 2, 3)





# TRASMISSION SYSTEM

SW900 B NIL

2018.01.12

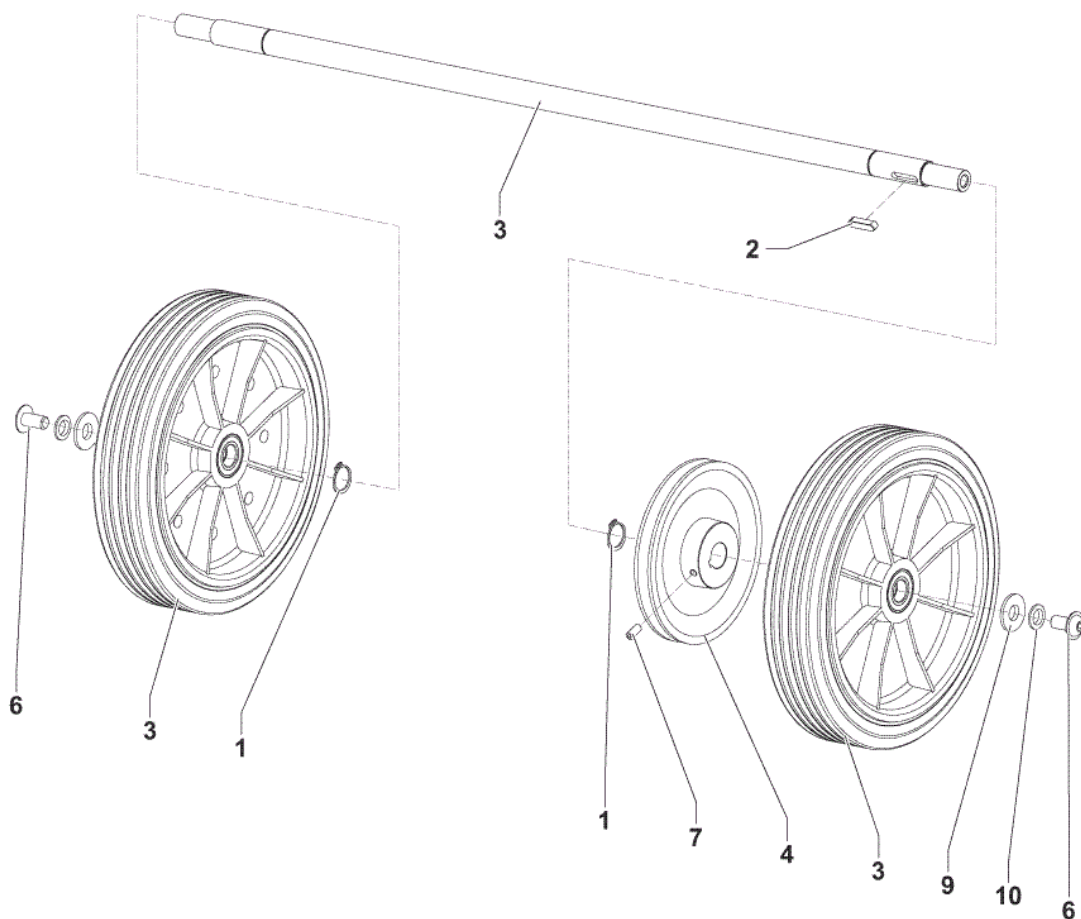
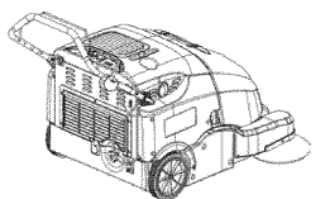
2018.01.18

No.	Part No.	Qty.	Description	Part Note
1		5	K1-K2-K3	
2		1	K2	
3		4	K3	
4		5	K1-K2-K3	
5		4	K3	
6		1	K1	
7		10	K3	
8		4	K3	
9		8	K3	
10		8	K3	
11		8	K3	
12	145 1123 000	3	Ball bearing YAT204	
13	145 1976 000	3	SUPPORT	
14	145 1977 000	3	SUPPORT	
15		6	K3	
16		1	K1	
17		6	K3	
18		1	K3	
19		1	K1	
20		1	K2	
21		1	K1	
22	1466521000	1	GEAR SPUR PLASTIC 150P	
23	1466522000	1	GEAR SPUR PLASTIC 42P	
24	146 0543 000	1	BRACKET BATTERY RETAINING	
25	146 0605 000	1	COVER	
26		1	K3	
27	1467726000	1	BELT V COGGED XPZ 1162 SIP	
28		1	K1	
29		1	K3	
30		1	K3	
31	1464681000	1	SUPPORT GEAR BOX	
32		1	K1	
33		1	K1	
34		1	K2	
35		1	K2	
36	1467644000	1	BELT V COGGED XPZ 912 SIP	
37	1465601000	1	TENSIONER BELT WHEELS KIT	
38	1464703000	1	SUPPORT BEARING	
39	1465602000	1	TENSIONER BELT BROOM KIT	
40	1464719000	2	SPRING TORSION 2.8X24	
41	1464722000	1	PLATE TRANSMISSION	[1]
41	1467622000	1	PLATE TRANSMISSION SUPPORT GALV SIP	[2]
42	1464725000	1	REDUCTION GEAR COMPLETE	
43	1464744000	1	MOTOR ELECTRIC 12V 680W	
44	1464433000	1	CARBON BRUSHES KIT 4 PCS	
45	1464747000	1	FAN D.160 X40	
46		2	K3	
47	1465607000	1	CHAIN GROUND KIT	
48		4	K3	
49	1467620000	1	COVER MET.BLACK F MOTOR KIT	[2]
50	1467618000	1	COVER PLASTIC BLACK F BATT. CHARGER KIT	[2]
K1	1466784000	1	SHAFT TRACTION KIT	
K2	1466785000	1	SHAFT BROOM KIT	
K3	1465467000	1	HARDWARE TRASMISSION KIT	[3]

**Part Notes:**

- [1] - UNTIL S/N -
- [2] - STARTING FROM S/N -

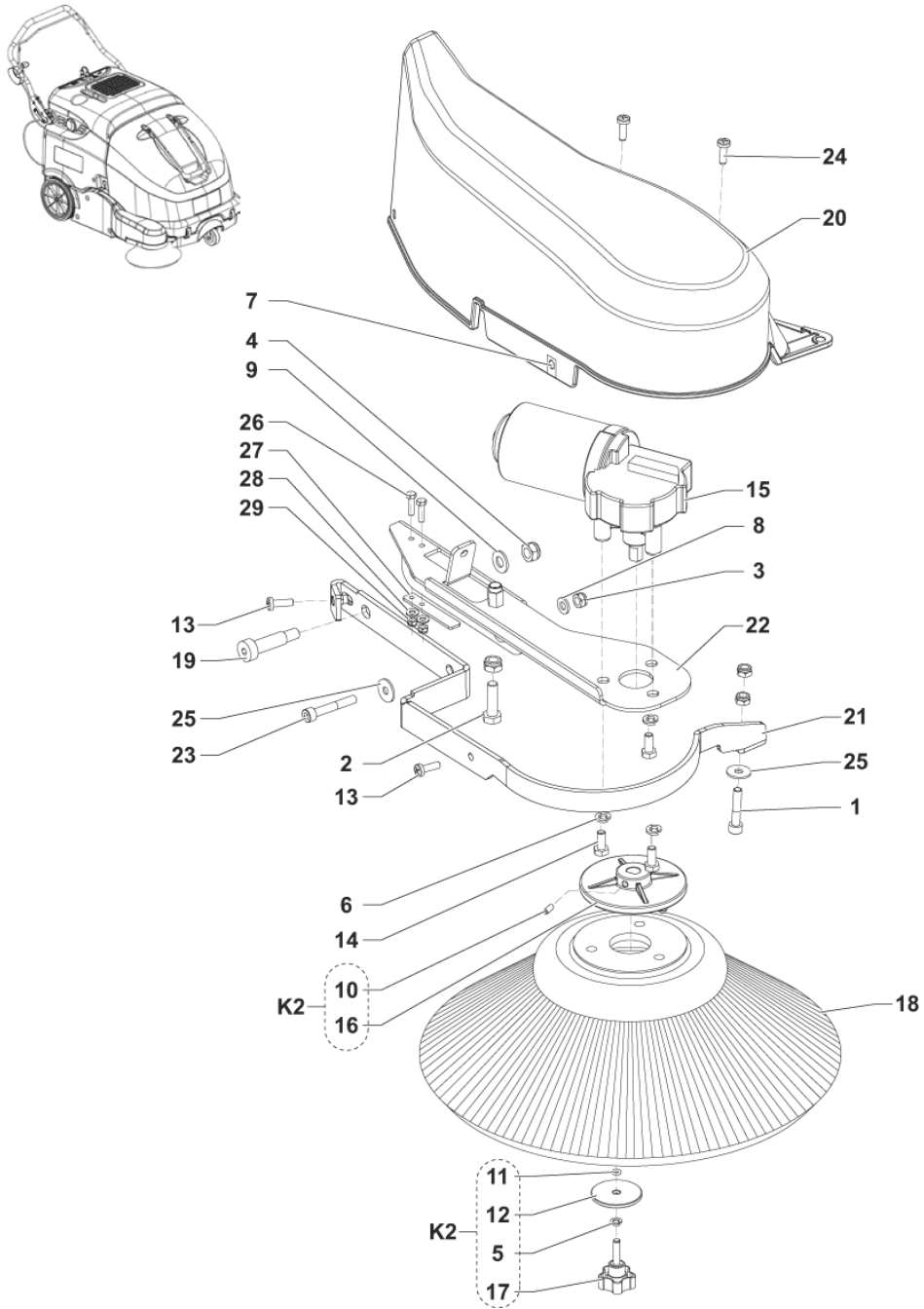
[3] - NOT SHOWN



No.	Part No.	Qty.	Description	Part Note
1		2	K1	
2		1	K1	
3	1466077000	1	SHAFT TRACTION WHEELS KIT	[1]
4		1	K1	
6		2	K1	
7		1	K1	
9		2	K1	
10		2	K1	
K1	1465469000	1	HARDWARE WHEELS KIT	[2]

Part Notes:

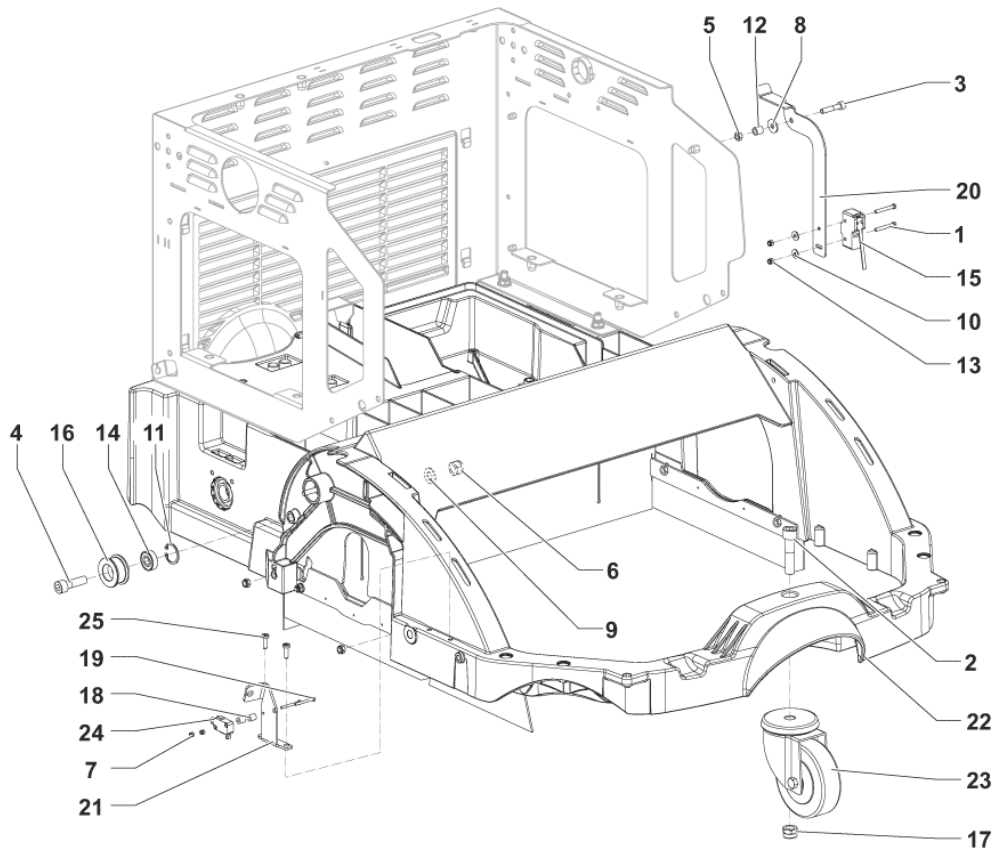
- [1] - TSB-FC-2014-039
- [2] - NOT SHOWN



No.	Part No.	Qty.	Description	Part Note
1		1	K1	
2		1	K1	
3		3	K1	
4		2	K1	
5		1	K2	
6		3	K1	
7	1467722000	1	CLIP GALV.FOR SCREW M5 2 PCS SET	
8		1	K1	
9		1	K1	
10		1	K2	
11		1	K2	
12		1	K2	
13		2	K1	
14		3	K1	
15	1465999000	1	REDUCTION GEARMOTOR 40W	
16		1	K2	
17		1	K2	
18	146 3035 000	1	BROOM SIDE 109X315 PPL0,5	
18	146 3036 000	1	BROOM SIDE 109X315 NYLON	[1]
19		1	K1	
20	1464675000	1	COVER RIGHT SIDE BROOM	
21	1465497000	1	BUMPER RIGHT BROOM	
22	1465011000	1	SUPPORT RIGHT SIDE BROOM	
23		1	K1	
24		2	K1	
25		2	K1	
26		2	K3	
27		1	K3	
28		2	K3	
29		2	K3	
K1	1465471000	1	HARDWARE SIDE BROOM KIT	[2]
K2	1463865000	1	HUB SIDE BROOM FIXING	
K3	1467691000	1	PADDLE FOR DRIVE MICROSWITCH KIT	[2]

## Part Notes:

- [1] - OPTIONAL  
[2] - NOT SHOWN

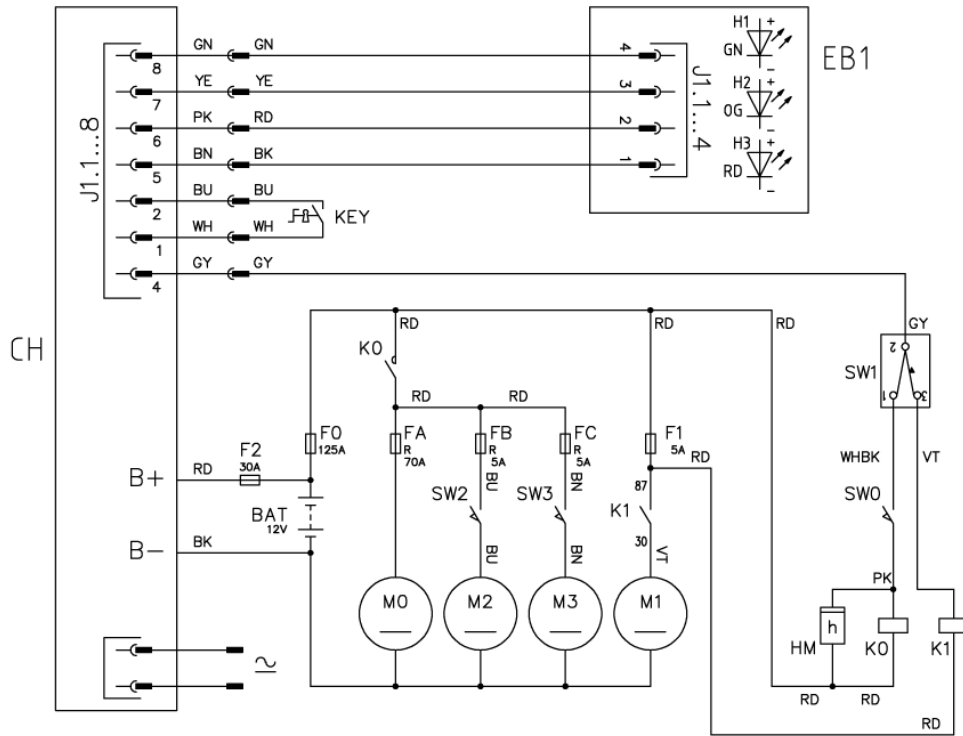




No.	Part No.	Qty.	Description	Part Note
1		2	K1	
2		1	K1	
3		1	K1	
4		1	K1	
5		1	K1	
6		1	K1	
7		2	K1	
8		1	K1	
9		1	K1	
10		2	K1	
11		1	K1	
12		1	K1	
13		2	K1	
14		1	K1	
15	1466506000	1	MICROSWITCH 10A 250V SIP	
16		1	K1	
17		1	K1	
18		2	K1	
19		2	K1	
20	1464998000	1	BRACKET FOR	
21	1465013000	1	SUPPORT RIGHT SIDE	
22	1465015000	1	CHASSIS	
23	909 6602 000	1	WHEEL CASTOR	
24	9100000792	1	MICROSWITCH 16A 250V PKD	
25		2	K1	
K1	1465461000	1	HARDWARE CHASSIS KIT	[1]

## Part Notes:

[1] - NOT SHOWN



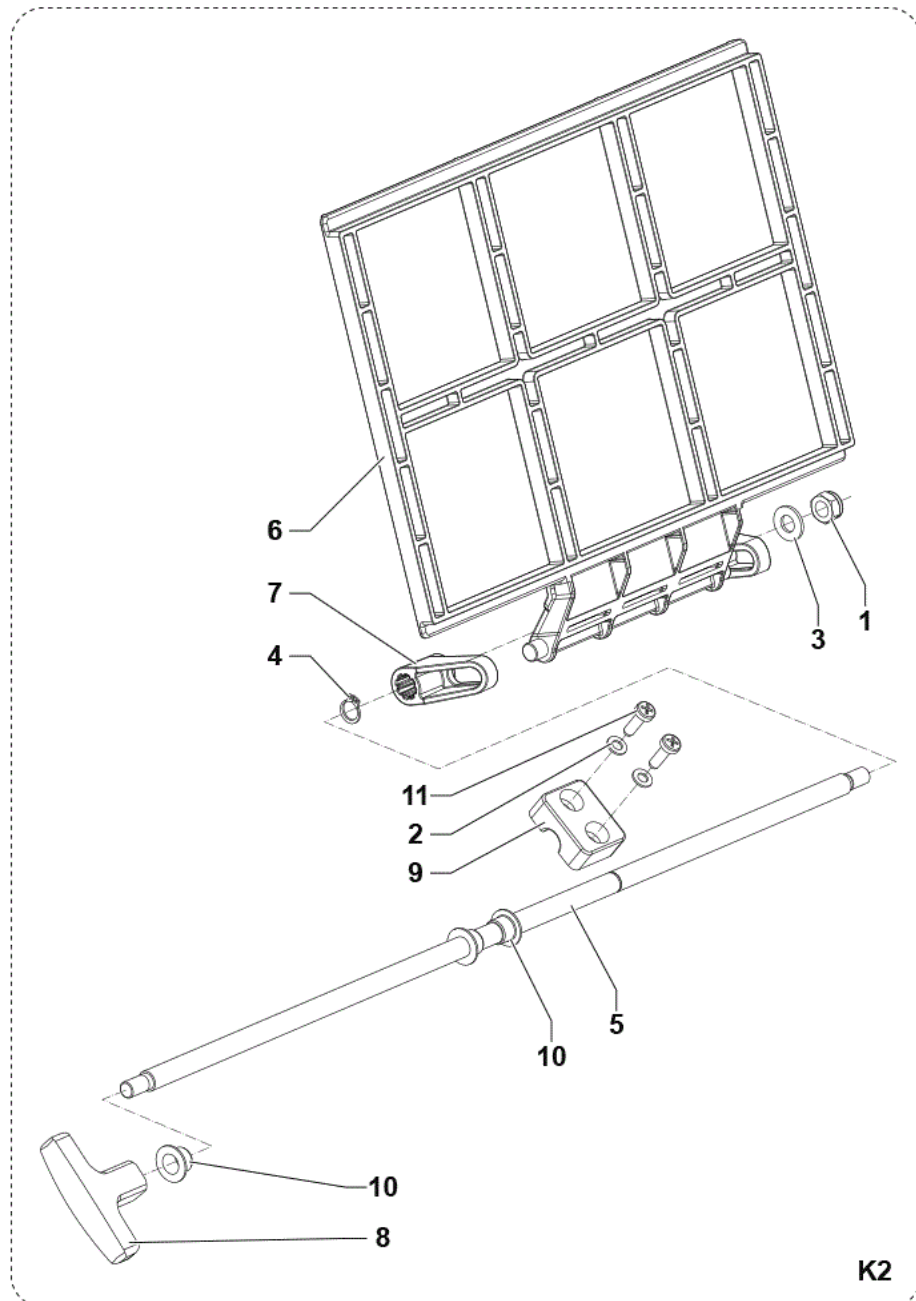
# WIRING DIAGRAM

SW900 B NIL

2017.11.02

2018.01.12

No.	Part No.	Qty.	Description	Part Note
BAT				
CH	1466519000		CHARGER BATT.ON BOARD	
EB1	146 3073 000		BOARD LED	
F0	9099756000		FUSE 125A	
F1	145 9853 000		Fuse 15A	
F2	1465102000		FUSE STRIP 30A	
FA	1465606000		CIRCUIT BREAKER 70A KIT	
FB	1465605000		CIRCUIT BREAKER 5A KIT	
FC	1465605000		CIRCUIT BREAKER 5A KIT	
HM	9096951000		COUNTER HOUR 24V KIT	
K0	1464904000		SWITCH ELECTROMAGNETIC	
K1	9098441000		RELAY 12V	
KEY	9100001354		SWITCH KEY WITH CAP PKD	
M0	1464744000		MOTOR ELECTRIC 12V 680W	
M1	146 0527 000		MOTOR FILTER SHAKER 10W	
M2	1465999000		REDUCTION GEARMOTOR 40W	
M3	1465999000		REDUCTION GEARMOTOR 40W	
SW0	1466506000		MICROSWITCH 10A 250V SIP	
SW1	1465465000		SWITCH KIT	
SW2	9100000792		MICROSWITCH 16A 250V PKD	
SW3	9100000792		MICROSWITCH 16A 250V PKD	



K2

# ACCESSORIES

SW900 B NIL

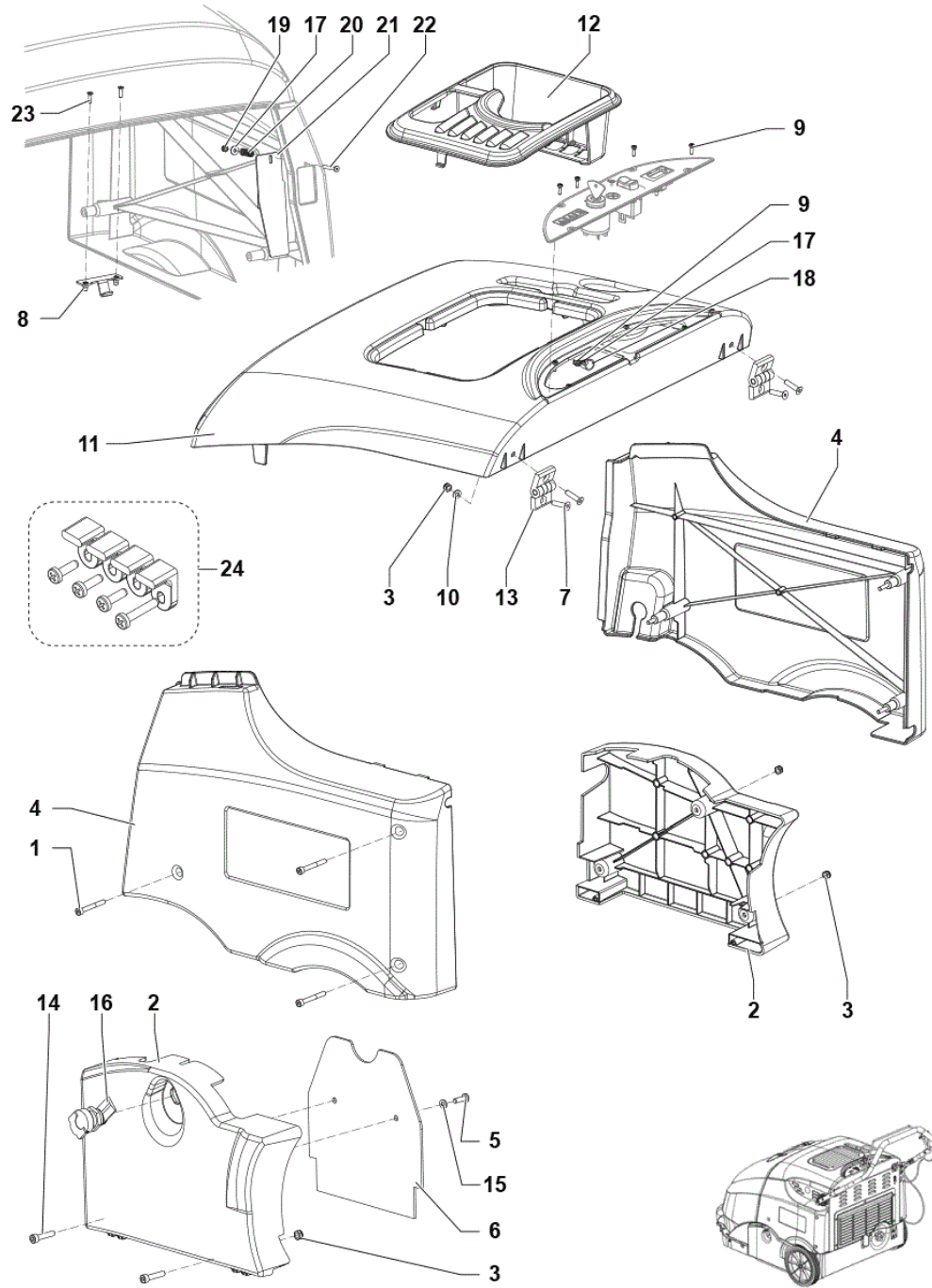
2018.01.18

2018.01.19

No.	Part No.	Qty.	Description	Part Note
1		1	K1	
2		2	K1	
3		1	K1	
4		1	K1	
5	1465028000	1	ROD FILTER SHAKER	
6	1465029000	1	RAKE FILTER SHAKER	
7	1465030000	2	DRAGGER FILTER SHAKER	
8	1465103000	1	HANDLE M8 PLASTIC	
9		1	K1	
10		3	K1	
11		2	K1	
K1	1465479000	1	HARDWARE MANUAL FILTER	[1]
K2	1465480000	1	FILTER SHAKER MANUAL KIT	[2]

**Part Notes:**

- [1] - NOT SHOWN
- [2] - OPTIONAL - INSTALLATION INSTRUCTION REF. 1465626000



# COVERS SYSTEM

SW900 B NIL

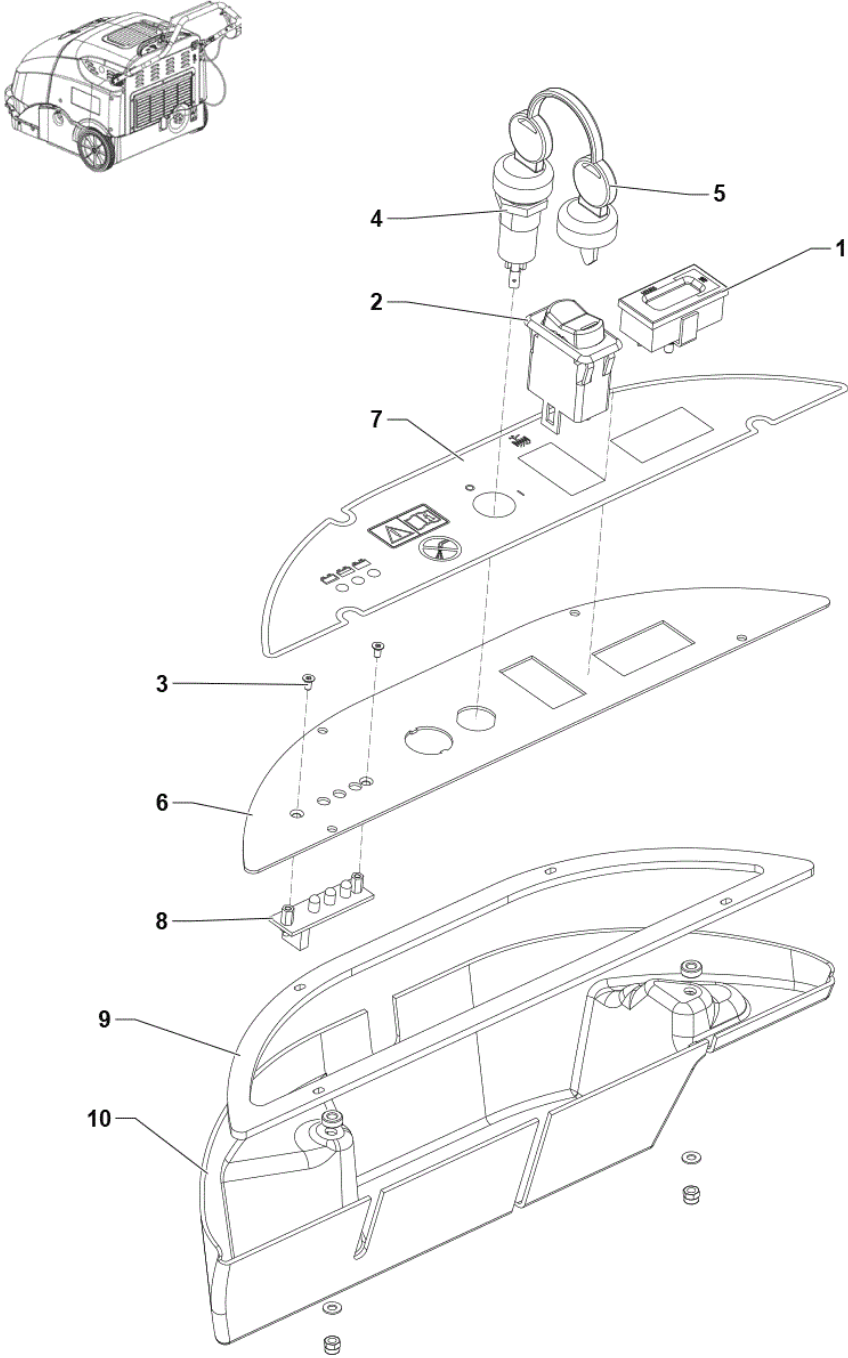
2018.01.18

2018.01.19

No.	Part No.	Qty.	Description	Part Note
1		6	K1	
2	1465545000	1	COVER UPPER BLACK KIT	
3		5	K1	
4	1465546000	1	COVERS SIDE GREY KIT	
5		2	K1	
6	1465104000	1	SKIRT PROTECTION	
7		4	K1	
8	1465482000	1	HOOK FOR BONNET CLOSING	
9		5	K1	
10		2	K1	
11	1466000000	1	COVER UPPER GREY PKD	
12	1464696000	1	COVER UPPER FOR BATTERY	
13		2	K1	
14		2	K1	
15		2	K1	
16	1464896000	1	LATCH WITH FOLD AWAY	
17		2	K1	
18		1	K1	
19		1	K1	
20		1	K1	
21	1465527000	1	PROTECTION POLY FOR	
22		1	K1	
23		2	K1	
24	1465920000	1	FIXING COVER KIT	
K1	1465464000	1	HARDWARE COVERS KIT	[1]

**Part Notes:**

[1] - Not Shown - Included Pos. No 1-3-5-7-9-10-13-14-15-17-18-19-20-22-23

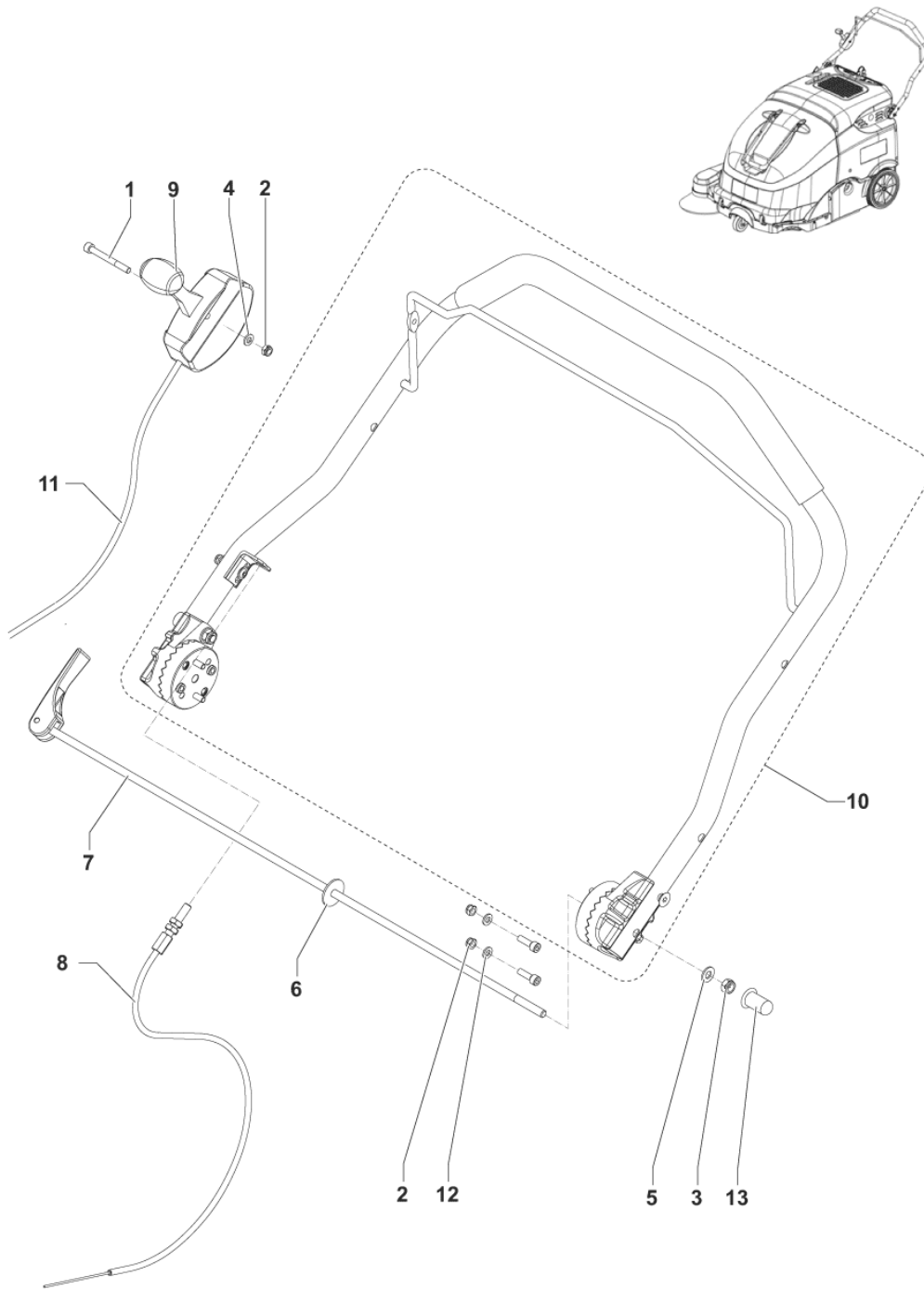




No.	Part No.	Qty.	Description	Part Note
1	9096951000	1	COUNTER HOUR 24V KIT	
2	1465465000	1	SWITCH KIT	
3	909 5284 000	2	SCREW M3X6 UNI7688	
4	9100001354	1	SWITCH KEY WITH CAP PKD	
5	146 2887 000	1	KEY 2 PCS	
6	1464765000	1	PANEL CONTROL	[1]
6	1467613000	1	PANEL CONTROL GALV. KIT	[2]
7	1465010000	1	DECAL CONTROL PANEL	
8	146 3073 000	1	BOARD LED	
9	1467612000	1	GASKET F CONTROL PANEL SIP	[2]
10	1467614000	1	COVER PLASTIC F PANEL CONTROL KIT	[2]

## Part Notes:

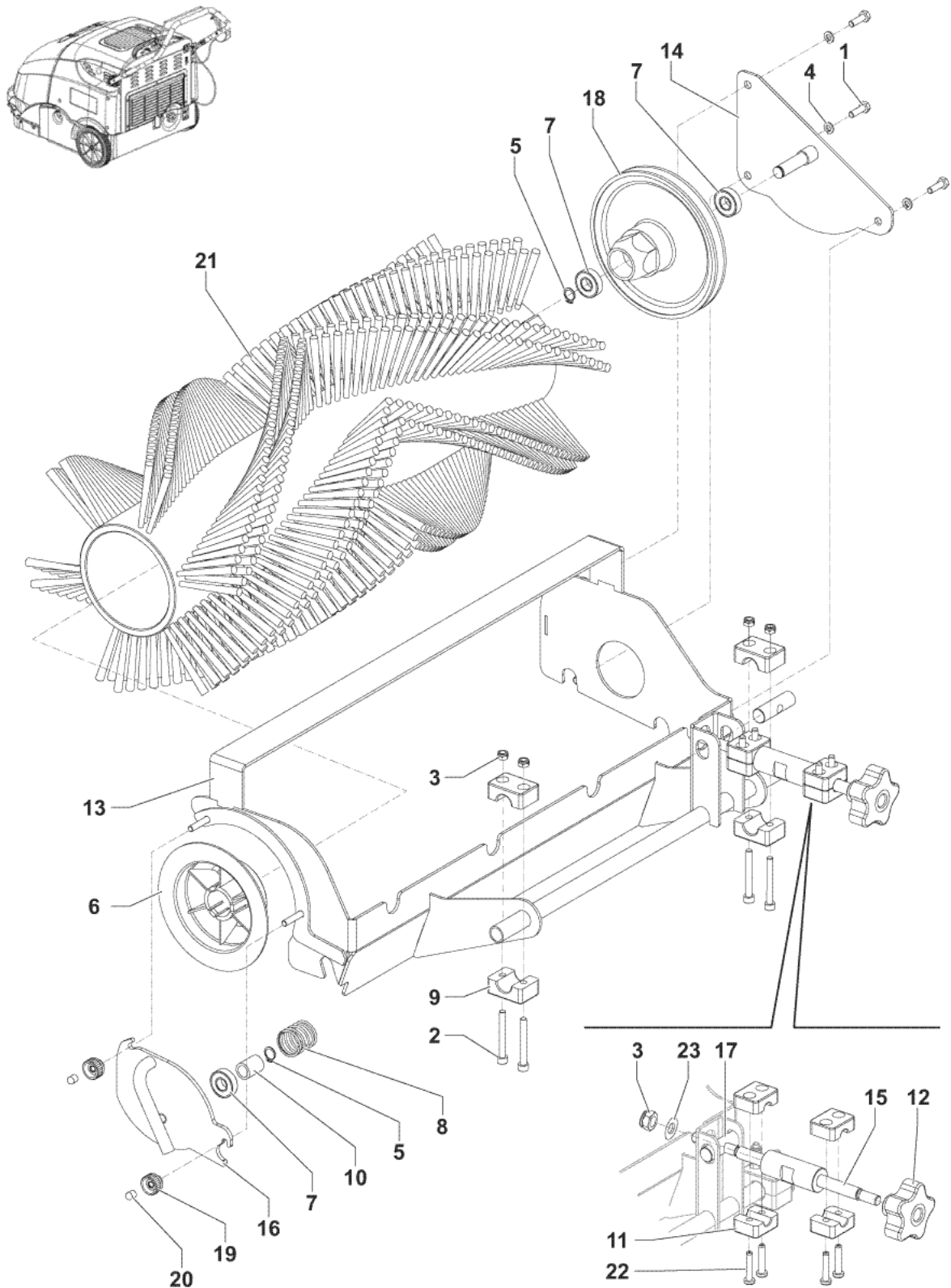
- [1] - UNTIL S/N -
- [2] - STARTING FROM S/N -



No.	Part No.	Qty.	Description	Part Note
1		1	K1	
2		6	K1	
3		1	K1	
4		1	K1	
5		1	K1	
6		1	K1	
7	1464673000	1	LEVER HANDLE RELEASE	
8	1464908000	1	CABLE TRACTION	
9	1465017000	1	LEVER RIGHT SIDE BROOM	
10	1465222000	1	HANDLE BAR STRAIGHT	
11	1465532000	1	CABLE FOR SIDE BROOM	
12		4	K1	
13	1467588000	1	CAP D.I.10 RUBBER F THREAD SIP	
K1	1465466000	1	HARDWARE HANDLE KIT	[1]

## Part Notes:

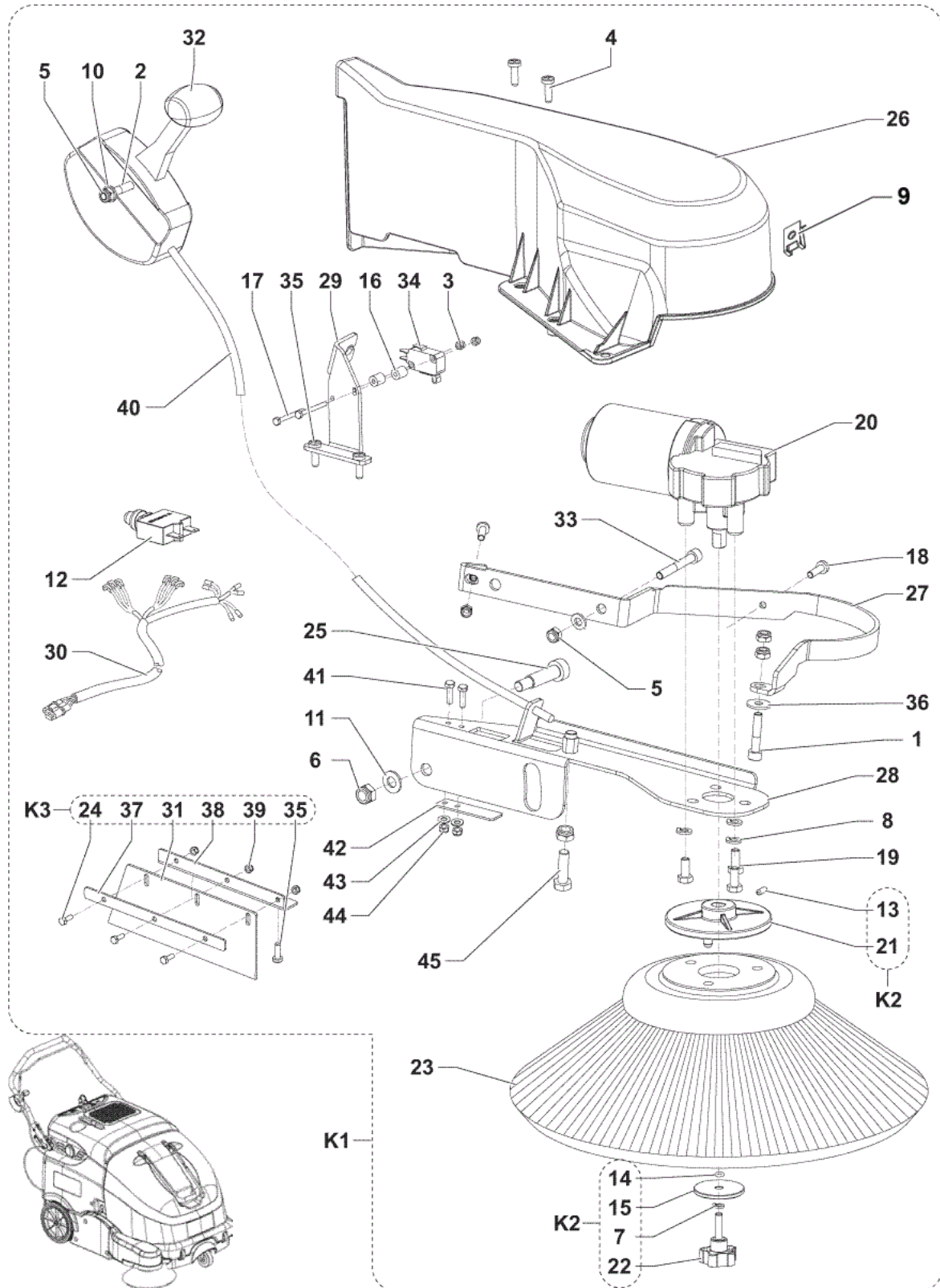
[1] - NOT SHOWN



No.	Part No.	Qty.	Description	Part Note
1		3	K1	
2		4	K1	
3		5	K1	
4		3	K1	
5		2	K1	
6	1467023000	1	HUB LEFT MAIN BROOM PKD	
7	44905699	3	BEARING BALL 6001 2RS PKD	
8		1	K1	
9		2	K1	
10		1	K1	
11		2	K1	
12	1464476000	1	KNOB BLACK/YELLOW	
13	1465487000	1	SUPPORT MAIN BROOM	
14	1467589000	1	SUPPORT BROOM PULLEY SIP	
15	1464689000	1	SCREW BROOM ADJUSTMENT	
16	1467590000	1	SUPPORT IDLE HUB SIP	
17		1	K1	
18	1464746000	1	PULLEY MAIN BROOM	
19	1464885000	2	KNOB M6 D.20 PLASTIC	
20		2	K1	
21	1465215000	1	BROOM MAIN D.265X600	
21	1466493000	1	BROOM MAIN 265X620 10R PPL 0.3-0.5	[1]
21	1465216000	1	BROOM MAIN D.265X600	[2]
21	146 0750 000	1	BROOM STEEL MIX D.265	[2]
22		4	K1	
23		1	K1	
K1	1465470000	1	HARDWARE MAIN BROOM KIT	[3]

Part Notes:

- [1] - STARTING MACHINE S.No 3810152500016 - SEE TSB-FC-2015-014  
DE TSB-FC-2015-014 SW900 Floortec 760 neue Schürzen
- [2] - OPTIONAL
- [3] - NOT SHOWN



## LEFT BROOM (OPTIONAL)

SW900 B NIL

2018.01.10

2018.01.18

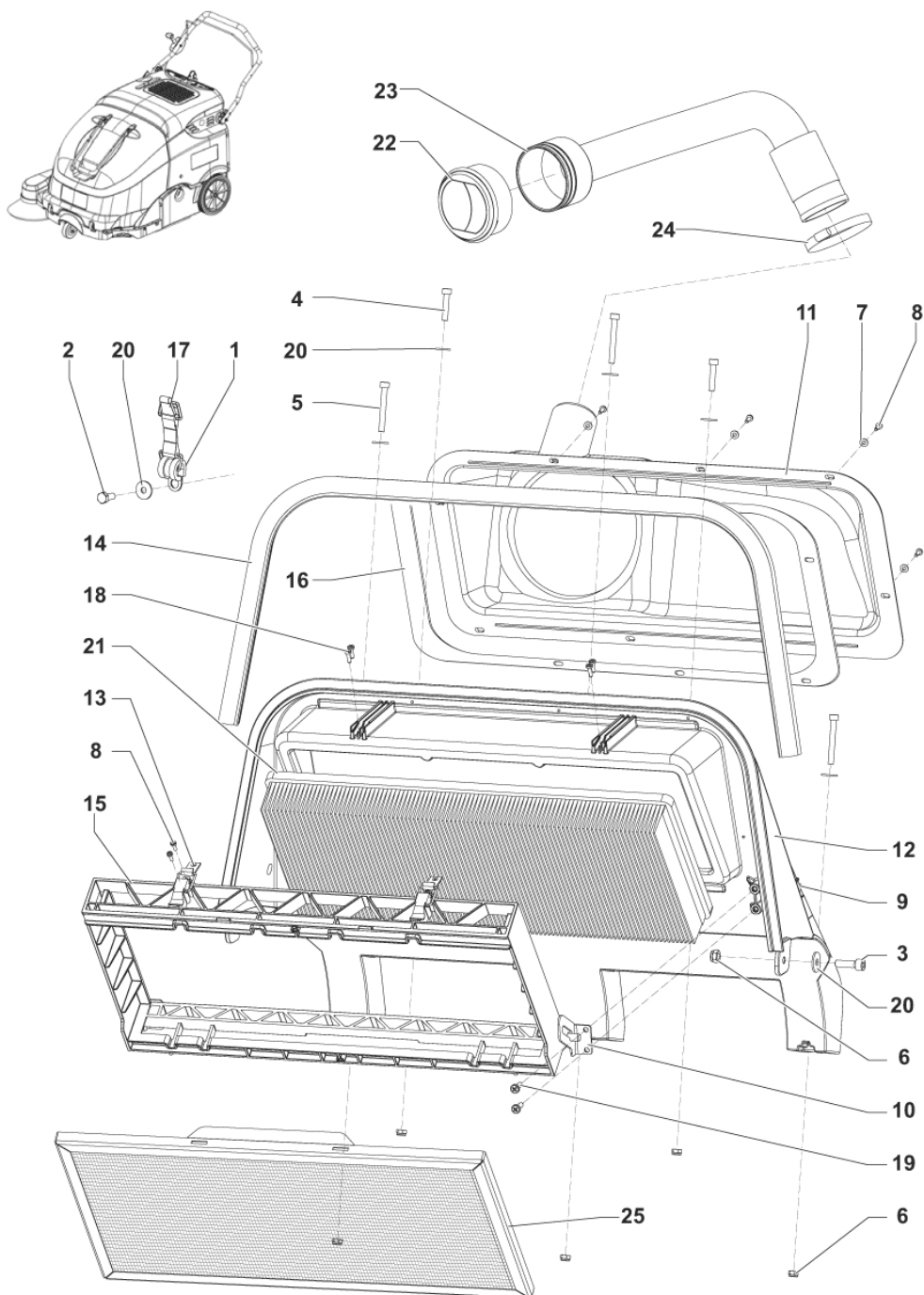
No.	Part No.	Qty.	Description	Part Note
1		1	K4	
2		1	K4	
3		2	K4	
4		2	K4	
5		4	K4	
6		2	K4	
7		1	K2	
8		3	K4	
9	1467722000	1	CLIP GALV.FOR SCREW M5 2 PCS SET	
10		2	K4	
11		1	K4	
12	1465605000	1	CIRCUIT BREAKER 5A KIT	
13		1	K2	
14		1	K2	
15		1	K2	
16		2	K4	
17		2	K4	
18		2	K4	
19		3	K4	
20	1465999000	1	REDUCTION GEARMOTOR 40W	
21		1	K2	
22		1	K2	
23	146 3035 000	1	BROOM SIDE 109X315 PPL0,5	
23	146 3036 000	1	BROOM SIDE 109X315 NYLON	[1]
24		3	K3	
25		1	K4	
26	1464676000	1	COVER LEFT SIDE BROOM	
27	1465498000	1	BUMPER LEFT BROOM	
28	1465012000	1	SUPPORT LEFT SIDE BROOM	
29	1465014000	1	SUPPORT LEFT SIDE BROOM	
30	1465142000	1	HARNES LEFT BROOM	
31		1	K3	
32	1465183000	1	LEVER LEFT SIDE BROOM	
33		1	K4	
34	9100000792	1	MICROSWITCH 16A 250V PKD	
35		4	K3-K4	
36		2	K4	
37		1	K3	
38		1	K3	
39		3	K3	
40	1465532000	1	CABLE FOR SIDE BROOM	
41		2	K4	
42		1	K4	
43		2	K4	
44		2	K4	
45		1	K4	
K1	1465408000	1	BROOM LEFT SIDE KIT	[2]
K1	1466497000	1	BROOM LEFT SIDE PPL W/RECYCLING KIT	[3]
K2	1463865000	1	HUB SIDE BROOM FIXING	
K3	1465595000	1	SKIRTS RECYCLING KIT	[4]
K3	1466489000	1	SKIRT RECYCLING LT SIDE KIT	[5]
K4	1465471000	1	HARDWARE SIDE BROOM KIT	[6]

## Part Notes:

- [1] - OPTIONAL
- [2] - OPTIONAL - UNTIL S/N 3810152500015 - INST.INSTR.1465407000
- [3] - STARTING MACHINE S.No 3810152500016 - SEE TSB-FC-2015-014- INST. INSTR. 1466499000
- [4] - UNTIL S/N 3810152500015

- [5] - STARTING MACHINE S.No 3810152500016 - SEE TSB-FC-2015-014- INST. INSTR. 1466485000
- [6] - NOT SHOWN





# FILTER SYSTEM

SW900 B NIL

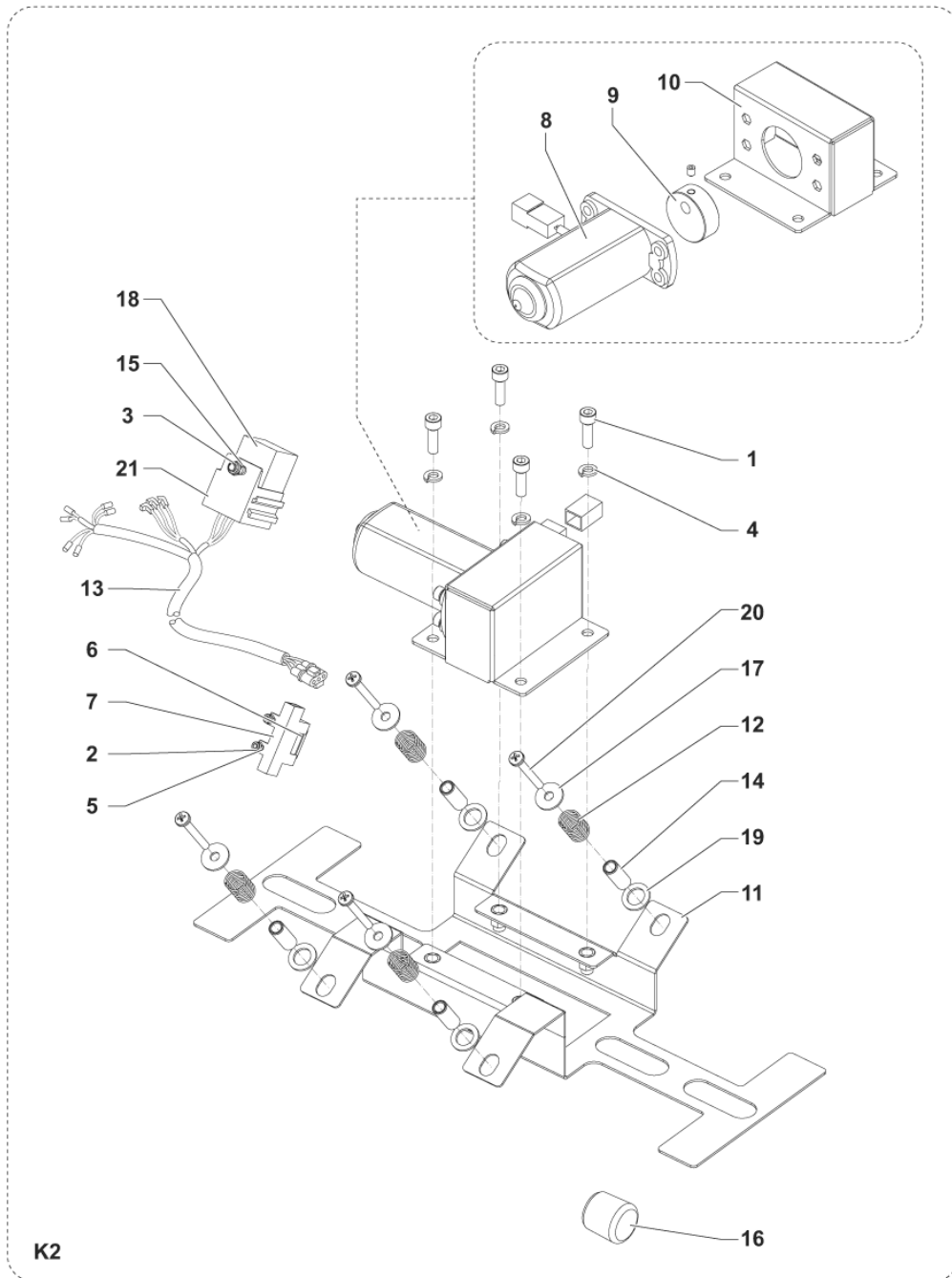
2017.11.02

2018.01.12

No.	Part No.	Qty.	Description	Part Note
1	33003435	1	DOUBLE COLLAR D5	
2		1	K1	
3		2	K1	
4		2	K1	
5		3	K1	
6		8	K1	
7		8	K1	
8		12	K1	
9	1467722000	1	CLIP GALV.FOR SCREW M5 2 PCS SET	
10		2	K1	
11	1466080000	1	CONVEYOR AIR SIP	
12		1	K1	
13	1464884000	2	LOCK LEVER	
14	1465610000	1	GASKET BULB REINFORCED	
15	1465146000	1	FRAME FOR PANEL FILTER	
16	1465517000	1	GASKET FOR CONVEYOR	
17	1465525000	1	LATCH RUBBER	
18		4	K1	
19		4	K1	
20		9	K1	
21	1464691000	1	FILTER POLYESTER	
21	1464902000	1	FILTER PAPER	[1]
22	33010103	1	OPENING	
23	1464887000	1	HOSE WET BY-PASS	
24	9100001348	1	CLAMP 14/32-52 10 PCS SET	
25	1465018000	1	PREFILTER	[1]
K1	1465472000	1	SUPPORT FILTER KIT	[2]

**Part Notes:**

- [1] - OPTIONAL
- [2] - NOT SHOWN



# FILTER SHAKER SYSTEM

SW900 B NIL

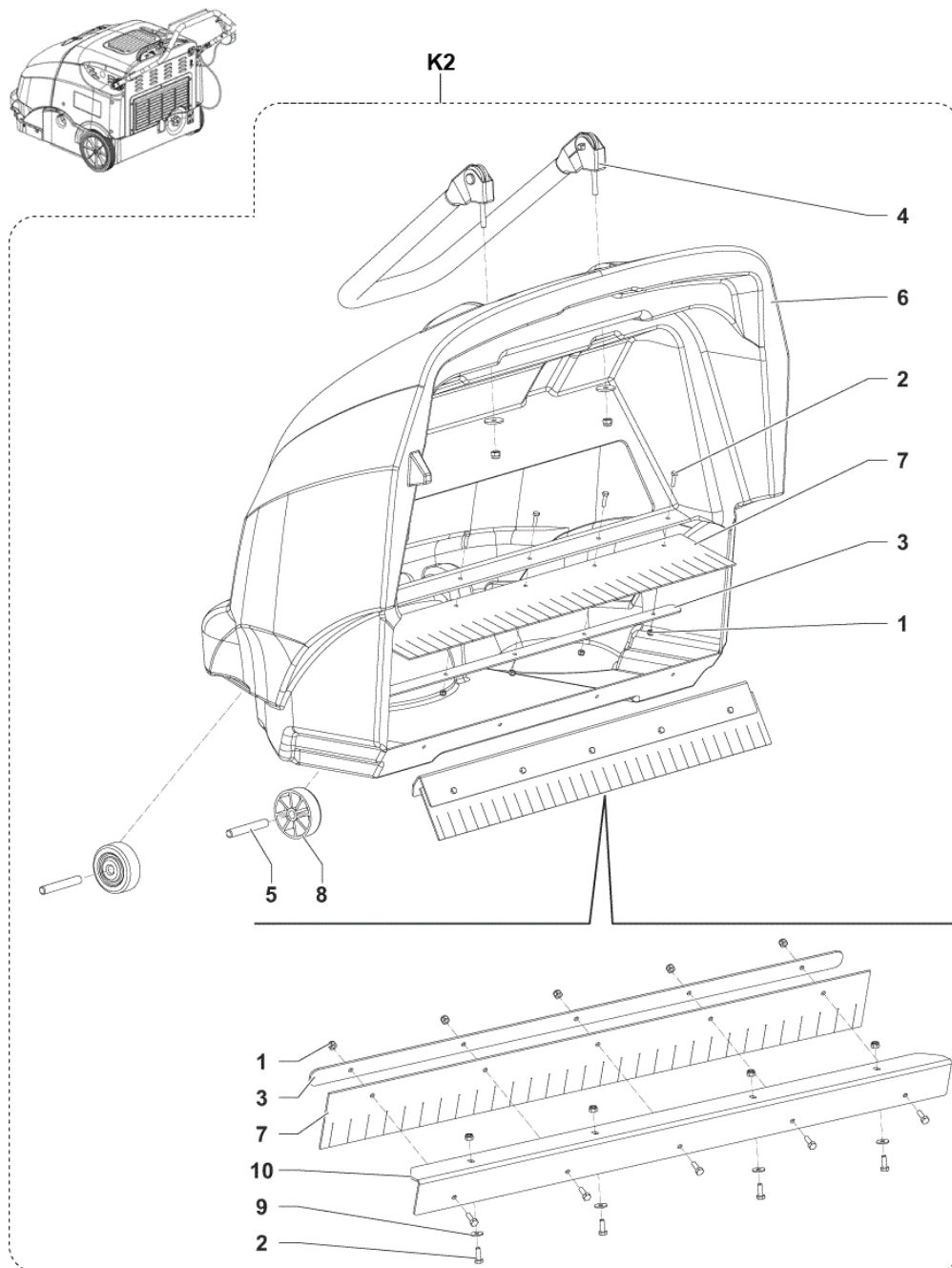
2017.11.02

2018.01.12

No.	Part No.	Qty.	Description	Part Note
1		4	K1	
2		2	K1	
3		1	K1	
4		4	K1	
5		2	K1	
6	145 9852 000	1	FUSE 5 AMP	
7	1467035000	1	HOLDER FUSE THERMOPL.	
8	146 0527 000	1	MOTOR FILTER SHAKER 10W	
9	1466857000	1	CAM F FILTER SHAKER KIT	
10	1466335000	1	BRACKET FILTER SHAKER SIP	
11		1	K1	
12		4	K1	
13	1465143000	1	HARNESS FILTER SHAKER	
14		4	K1	
15		1	K1	
16		1	K1	
17		4	K1	
18	9098441000	1	RELAY 12V	
19		4	K1	
20		4	K1	
21	33009104	1	RELAY SUPPORT	
K1	1465473000	1	HARDWARE EL. FILTER	[1]
K2	1465474000	1	FILTER SHAKER ELECTRIC	[2]
K2	1467677000	1	FILTER SHAKER ELECTRIC KIT	[3]

**Part Notes:**

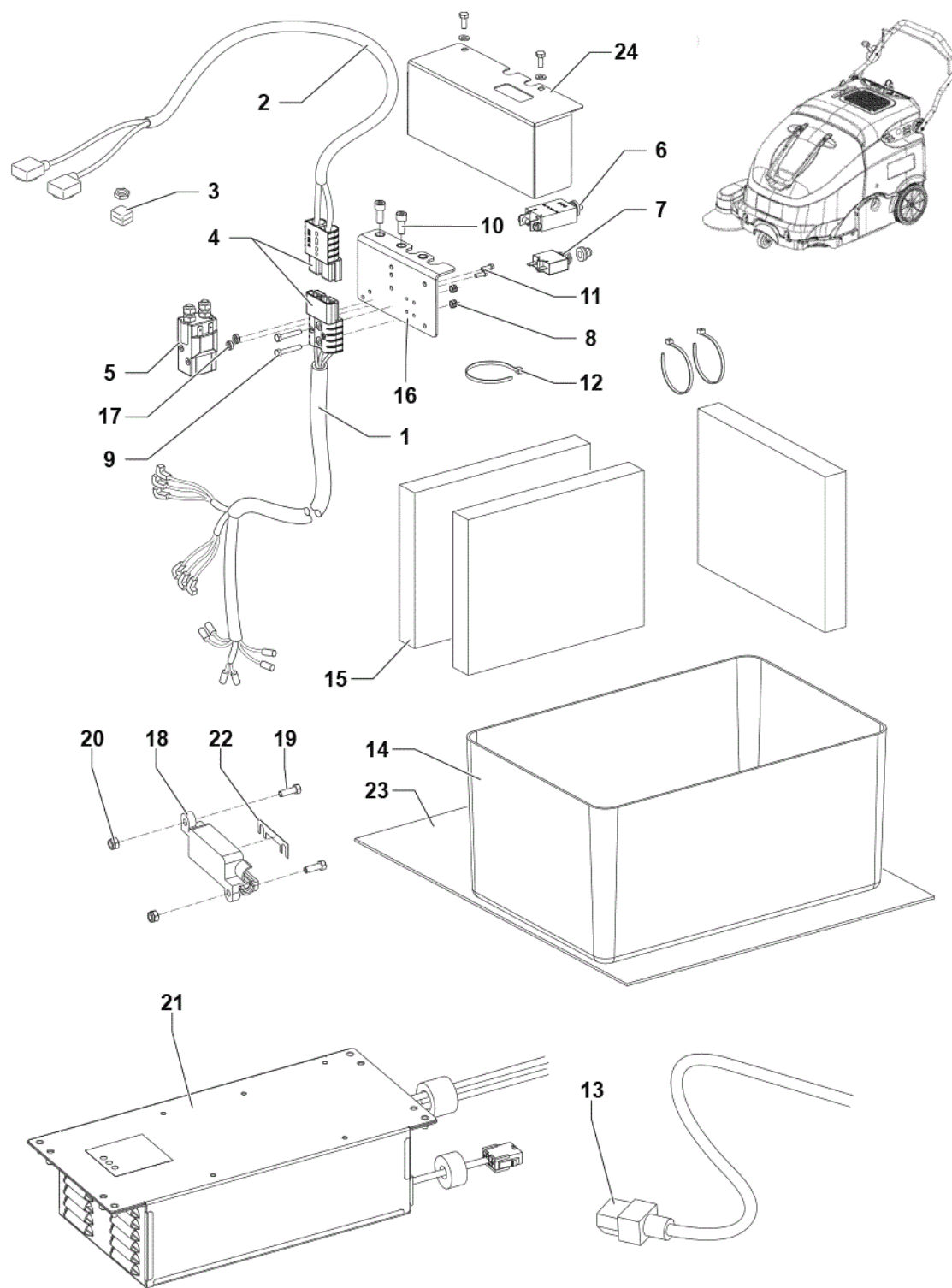
- [1] - NOT SHOWN
- [2] - UNTIL S/N -  
SEE INST. INSTR. 1465627000
- [3] - STARTING FROM S/N -  
SEE INST. INSTR. 1467676000



No.	Part No.	Qty.	Description	Part Note
1		14	K1	
2		14	K1	
3		2	K1	
4	1465477000	1	HANDLE WASTE CONTAINER	
5	1464997000	2	PIN D.9.5X70	
6	1465016000	1	CONTAINER WASTE	
7	1465476000	1	SKIRTS WASTE CONTAINER	
8	L08602460	2	Roller bumper	
9		9	K1	
10		1	K1	
K1	1465475000	1	HARDWARE WASTE	[1]
K2	1465548000	1	CONTAINER WASTE PLAST. GREY KIT	

Part Notes:

[1] - NOT SHOWN



No.	Part No.	Qty.	Description	Part Note
1	1465496000	1	HARNESS MACHINE B W/EL.	[1]
1	1467624000		HARNESS MACHINE B W/EL. SHAKER VERS. SIP	[2]
1	1465495000	1	HARNESS MACHINE B	[3]
1	1467623000	1	HARNESS MACHINE B SIP	[4]
2	1464992000	1	HARNESS BATTERY	[5]
2	1467652000	1	HARNESS BATTERY UL SIP	[6]
3	9099756000	1	FUSE 125A	
4	146 0747 000	2	CONNECTOR 120A GREY	
5	1464904000	1	SWITCH ELECTROMAGNETIC	
6	1465606000	1	CIRCUIT BREAKER 70A KIT	
7	1465605000	1	CIRCUIT BREAKER 5A KIT	
8		2	K1	
9		2	K1	
10		2	K1	
11		2	K1	
12		3	K1	
13	9100001758	1	CABLE EXTENS. EU L	[5]
13	9100001757	1	CABLE EXTENSION US PLUG L.1500MM KIT	[6]
14	145 5252 000	1	CONTAINER BATTERY	
15	146 0668 000	3	PANEL INSULATING	
16	1464698000	1	SUPPORT RELAIS AND FUSES	[7]
16	1467615000	1	BRACKET GALV. F SUPP RELAY/FUSES KIT	[8]
17		2	K1	
18	145 8046 000	1	Fuse holder	
19		2	K1	
20		2	K1	
21	1466519000	1	CHARGER BATT.ON BOARD	
22	1465102000	1	FUSE STRIP 30A	
23	1465500000	1	RUBBER PROTECTION CHARGER	
24	1467616000	1	COVER MET BLACK BATTERY EL. SYSTEM KIT	[8]
K1	1465478000	1	HARDWARE ELECTRICAL	[9]

## Part Notes:

- [1] - EU VERSION ONLY - UNTIL S/N -
- [2] - EU VERSION ONLY -STARTING FROM S/N -
- [3] - US VERSION ONLY - UNTIL S/N -
- [4] - US VERSION ONLY- STARTING FROM S/N -
- [5] - EU VERSION ONLY
- [6] - US VERSION ONLY
- [7] - UNTIL S/N -
- [8] - STARTING FROM S/N -
- [9] - NOT SHOWN





# RECOMMENDED SPARE PARTS

SW900 B NIL

2017.11.02

2018.01.10

No.	Part No.	Qty.	Description	Part Note
NW	1465215000	1	BROOM MAIN D.265X600	
NW	1465463000	1	SKIRTS KIT	
NW	146 3035 000	1	BROOM SIDE 109X315 PPL0,5	
OM	1465610000	1	GASKET BULB REINFORCED	
OM	1464691000	1	FILTER POLYESTER	
OM	1464744000	1	MOTOR ELECTRIC 12V 680W	
OM	1464433000	1	CARBON BRUSHES KIT 4 PCS	
OM	1467644000	1	BELT V COGGED XPZ 912 SIP	
OM	1467726000	1	BELT V COGGED XPZ 1162 SIP	
OM	44905699	3	BEARING BALL 6001 2RS PKD	
OM	909 6602 000	1	WHEEL CASTOR	
OM	1465999000	1	REDUCTION GEARMOTOR 40W	
OM	1464908000	1	CABLE TRACTION	
EM	1465146000	1	FRAME FOR PANEL FILTER	
EM	1464884000	2	LOCK LEVER	
EM	1464725000	1	REDUCTION GEAR COMPLETE	
EM	1466521000	1	GEAR SPUR PLASTIC 150P	
EM	1466522000	1	GEAR SPUR PLASTIC 42P	
EM	145 1123 000	3	Ball bearing YAT204	
EM	1464719000	2	SPRING TORSION 2.8X24	
EM	1464476000	1	KNOB BLACK/YELLOW	
EM	9100000792	1	MICROSWITCH 16A 250V PKD	
EM	1466506000	1	MICROSWITCH 10A 250V SIP	
EM	1465017000	1	LEVER RIGHT SIDE BROOM	
EM	1465532000	1	CABLE FOR SIDE BROOM	



No.	Part No.	Qty.	Description	Part Note
	80563211	2	BATT. 6V-175Ah WET Tubular Monobloc	
	80564600	1	BATT. 12V-110AH WET	
	80564000	2	BATT. 6V-180AH GEL	
	80564400	1	BATT. 12V-105AH GEL	
	1465541000	1	SKIRTS NO MARKING KIT	
	1465216000	1	BROOM MAIN D.265X600	
	146 0750 000	1	BROOM STEEL MIX D.265	
	146 3036 000	1	BROOM SIDE 109X315 NYLON	
	1465408000	1	BROOM LEFT SIDE KIT	
	1464902000	1	FILTER PAPER	
	1465018000	1	PREFILTER	
	1465480000	1	FILTER SHAKER MANUAL KIT	

