

## Head

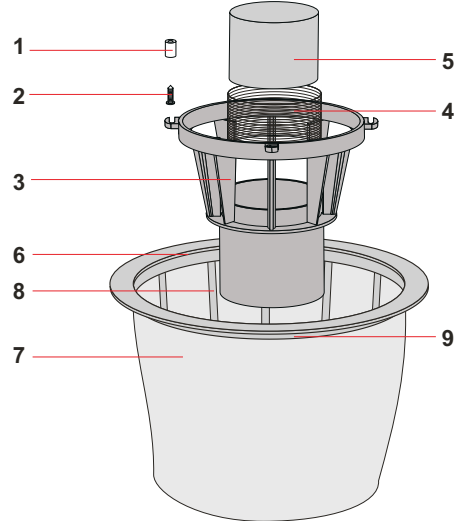
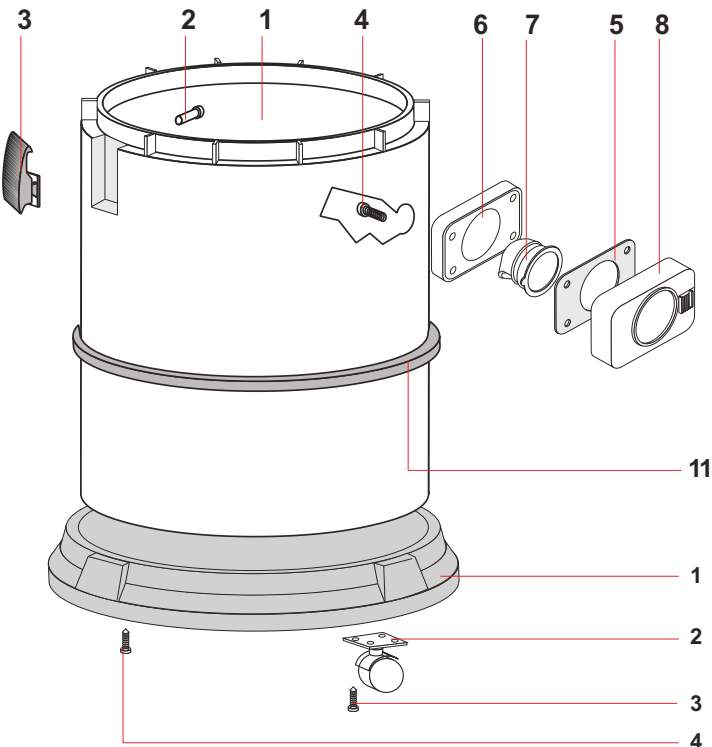
Assembly Part No: 2663

POS	PART NUMBER	DESCRIPTION	#
1	VP00466 AUS	ELECTRIC CORD 3X1 (AUS)	1
2	VP00138	CABLE SLEEVE	1
3	VP00139	CABLE CLAMP	1
4	VP01006	SCREW PFU TMT PHL 5X20	2
5	VP03443	TERMINAL BOARD ANTIFLAME W/P	1
6	VP02589	HOOK FOR ELECTRICAL CORD	1
7	VP01026	SCREW PAT TMT PHL 5X30	4
8	VP02588	HANDLE TOP	1
9	VP01050	SCREW PAT TMT PHL 5X35	2
10	VP01050	SCREW PAT TMT PHL 5X35	2
11	VP02716	COVER 99 FOR ADD.SOCKET	1
12	VP00326	ANTISPLASH SWITCH	1
13	VP01006	SCREW PFU TMT PHL 5X20	4
14	VP03937	FILTER MTP/65 H=15 D.95	1
15	VP01050	SCREW PAT TMT PHL 5X35	6
16	VP02738	COVER - MOTOR	1
17	VP03969	WASHER H8 D85X65	1
18	VP00310	PLASTIC RING FOR MOTOR 1200 W.	1
19	VP03900	FOAM FILTER	1
20	VP02627	SCREW PAT TMT PHL 5X40	6
21	VP01006	SCREW PFU TMT PHL 5X20	4
22	VP02591	MOTOR-FASTENER 99	1
23	VP03901	"L" GASKET WO/H H=5,5	1
24	VP03973 S	ELECTRIC KIT MOT. PAGODA AMETEK	1
*	VP03891 S	MOTOR BD302 1000W 220-240 50/60	1
*	VP00564	MOTOR 1000W	1
25	VP03901	"L" GASKET WO/H H=5,5	1
26	VP03866	WASHER MTP 65MM 18D 230X145	1
27	VP01189 G	BASE 500 W/GASKET	1
*	VP01101	CONNECTING WIRES	2
*	VP01102	CONNECTING WIRES	4
*	VP01106	CLIP	1
*	VP01103	FASTON	3
28	VP02184	ADD.SOCKET PROTECTION	1
29	VP00098	SCREWED ADDITIONAL SOCKET	1
30	VP01044	SCREW M 3X10	2
31	VP01046	NUT 3 MA	2
*	VP07632	CONNECTING WIRES	4

## Filter

Assembly Part No: 4244

POS	PART NUMBER	DESCRIPTION	#
1	VP03076	COMPL.BASKET TOOLS TITAN	4
2	VP03724	SCREW PAT TMT PHL 5X25	4
3	VP02823	HIGHER ANTIFOAM BODY 99	1
4	VP03138	NET FILTER 0,4 D.90 H=45	1
5	VP02676	HIGHER FLOAT 99	1
6	VP00123	FILTER RING 300	1
7	VP02860	CONICAL POLYESTER.FILTER 300	1
8	VP02859	CONICAL BASKET 300	1



## Tank

Assembly Part No: 2751

POS	PART NUMBER	DESCRIPTION	#
1	VP02750	TANK 99/E	1
2	VP01302	RIVET 5X19	4
3	VP01847	COMPLETE PLASTIC HOOK	2
4	VP06258	SCREW AUT.TC PHL 4.8X32	4
5	VP02846	GASKET D.38	1
6	VP02586	GASKET R 205	1
7	VP02593	DEFLECTOR 99	1
8	VP02652 A	INLET R 155	1
11	VP02630	ANTI-SHOCK BAND 99	1

## Trolley

Assembly Part No: 3799

POS	PART NUMBER	DESCRIPTION	#
1	VP03798	BODY TROLLEY 99/E	1
2	VP02572	WHEEL D.42 W/SQUARE PLATE	5
3	VP02680	SCREW TC POZ 4X15	20
4	VP02680	SCREW TC POZ 4X15	5