

# PARTS LIST

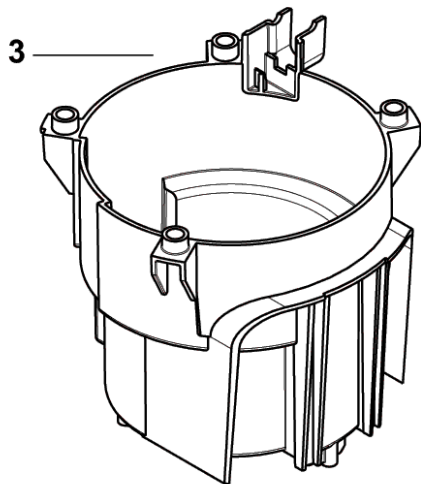
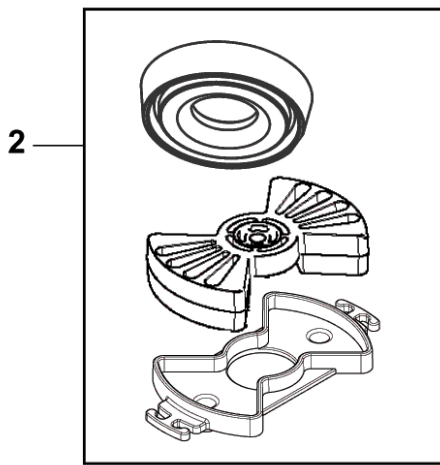
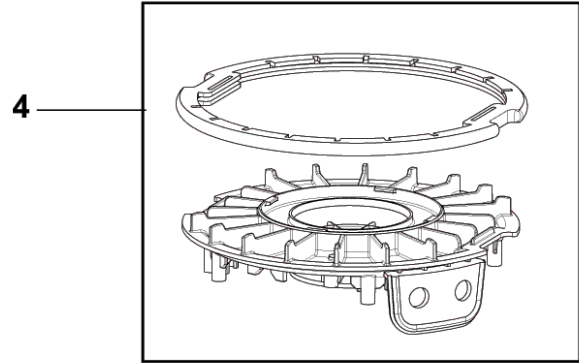
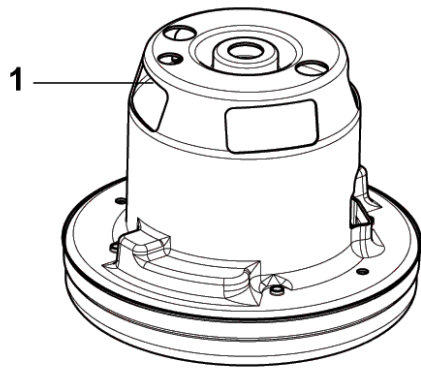


2021.05.17

# TABLE OF CONTENTS

---

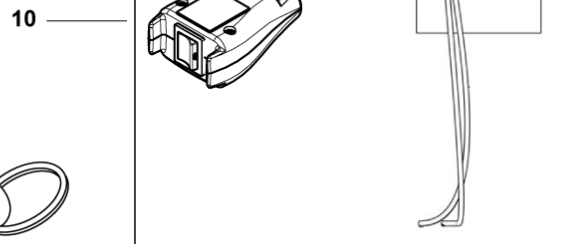
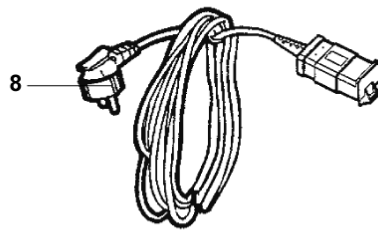
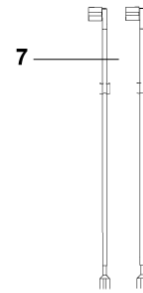
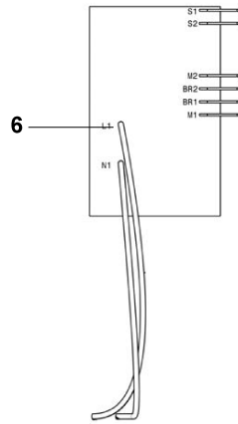
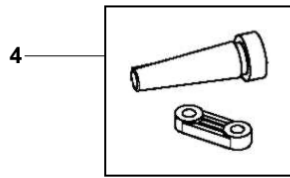
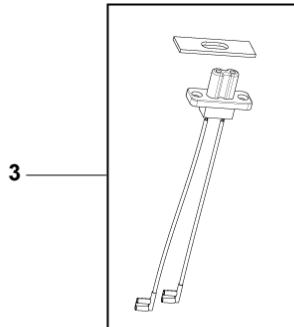
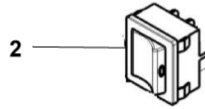
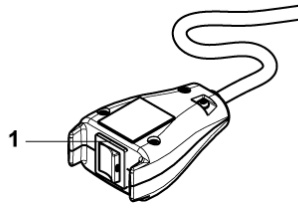
Motor and motor parts .....	1
Electric components .....	3
Container parts .....	5
Straps parts .....	7
Filters .....	9
Nozzles Ø32 mm .....	11
Tubes, hose Ø32 mm .....	13
Overview GD 5 Battery .....	15
Container parts GD 5 Battery .....	17
Motor parts GD 5 Battery .....	19
Nozzles Ø 32mm GD 5 Battery .....	21
Tube and hose Ø32mm GD 5 Battery .....	23
RECOMMENDED SPARE PARTS .....	25



No.	Part No.	Qty.	Description	Part Note
00	147 1291 000	1	OUTER BOX	
00	147 1496 000	1	SPACER	
1	147 1109 510	1	FAN UNIT 220-240V,1300W	
1	107407330	1	MOTOR 110V 400HZ FOR GD5 FLY	[1]
1	147 1109 500	1	FAN UNIT 100-120V 1300W	
2	147 1111 500	1	MOTOR SUSPENSION KIT	
3	147 1088 500	1	MOTOR COVER	
4	147 1086 500	1	CHASSIS DARK GREY	

Part Notes:

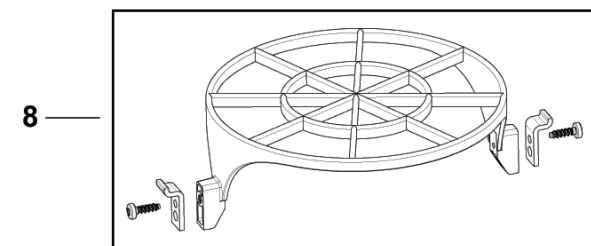
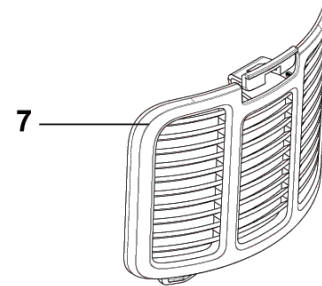
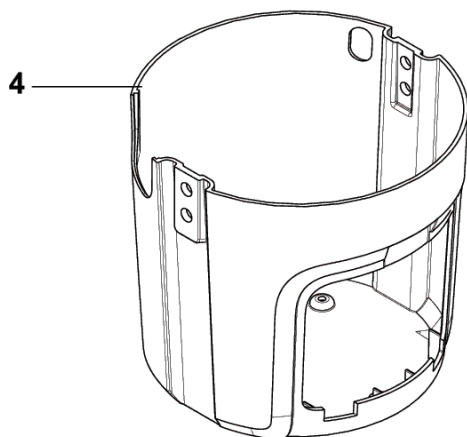
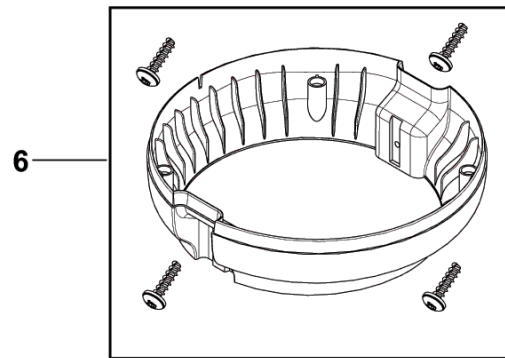
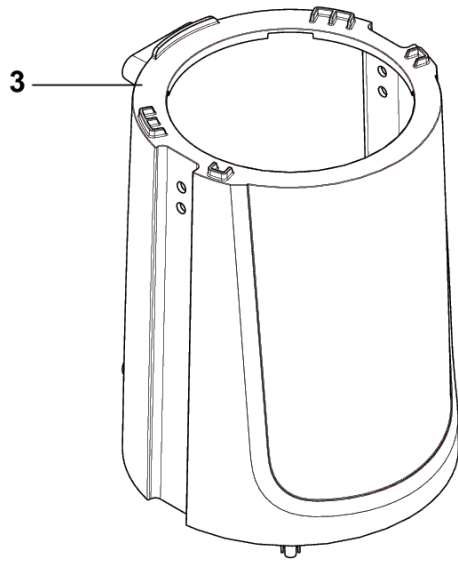
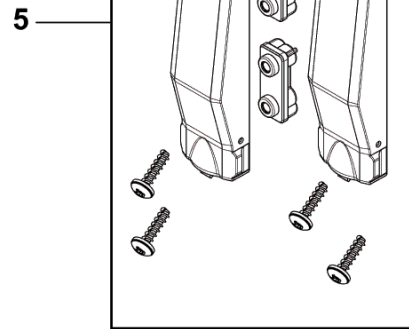
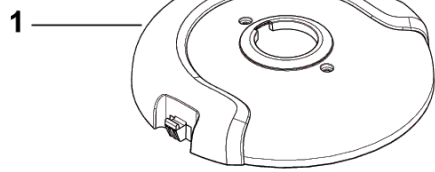
[1] - Only for GD 5 fly



No.	Part No.	Qty.	Description	Part Note
1	107402274	1	SWITCH COMPLETE	
1	107404536	1	SWITCH COMPLETE	[1]
1	107416227	1	CORD AND SWITCH KIT 230V CN	[2]
2	140 5496 510	1	SWITCH UL KIT	
3	140 8497 530	1	CONNECTOR	
4	140 7035 500	1	PROTECTION SLEEVE KIT	
5	12003803	1	CORD 15 METRE	
5	140 3608 700	1	CORD SET US TW KIT	[3]
5	147 0504 510	1	CORD SET CN 15M	
5	140 6702 500	1	CORD SET JP 15.5M	
5B	140 8057 500	1	CORD WITH MALE PLUG	
6	107402275	1	CIRCUIT BOARD 220-240V	
6	107407331	1	CIRCUIT BOARD FOR GD5 FLY	[3]
6	107402276	1	CIRCUIT BOARD 100-120V	
7	140 7040 510	1	INTERNAL WIRE KIT	
8	22156201	1	EXTENSION CORD EU KIT	
8	22156202	1	CORD CPL.UK KIT	
9	147 1346 500	1	ANTI STRAIN CLIP CPL.	
10	107402257	1	PCB CORD AND SWITCH KIT 120V	[4]
10	107404537	1	PCB CORD AND SWITCH KIT 120V	[5]
10	107402258	1	PCB CORD AND SWITCH KIT	[4]
10	107416226	1	PCB CORD A. SWITCH KIT 230V CN	

## Part Notes:

- [1] - US
- [2] - CN
- [3] - for GD5 Fly
- [4] - TSB- Vac-2010-103
- [5] - US, CN  
TSB- Vac-2010-103

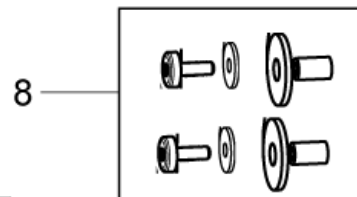
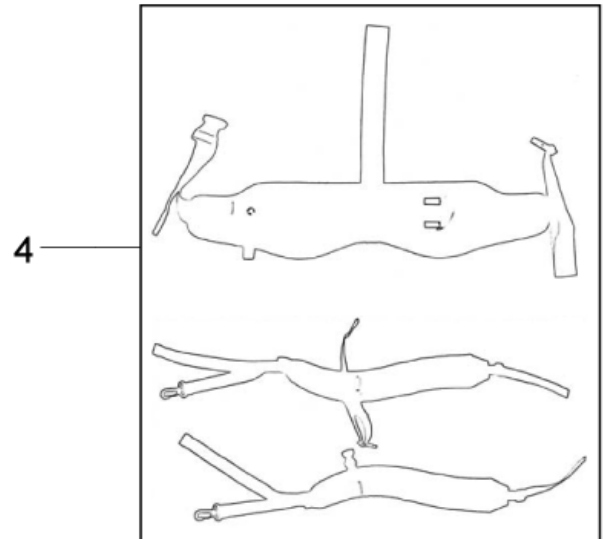
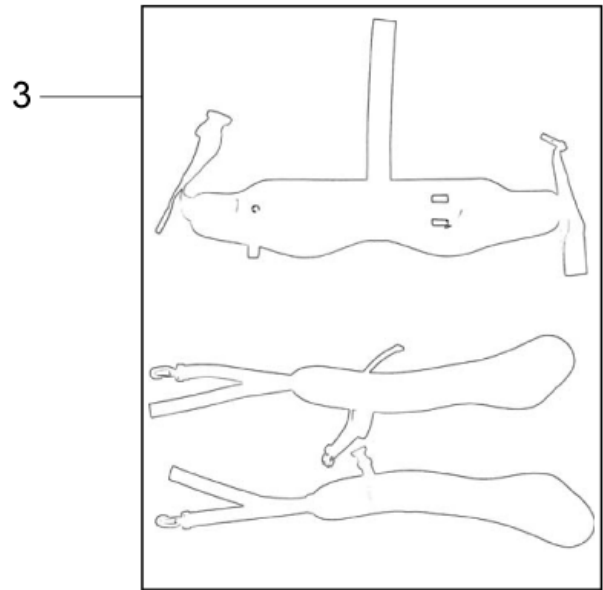
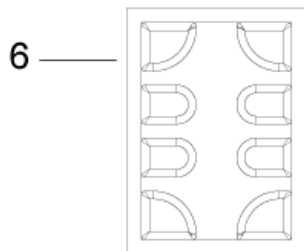
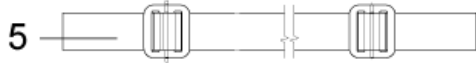
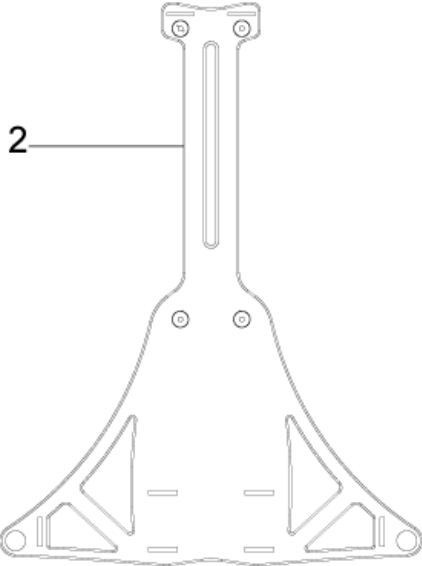
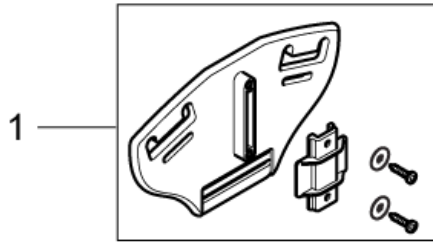


No.	Part No.	Qty.	Description	Part Note
01	147 1077 500	1	OUTER LID 5L LIGHT GREY	
01	147 1080 500	1	OUTER LID 10 L LIGHT GREY	
03	147 1076 500	1	CONTAINER 5L	
03	147 1079 500	1	CONTAINER 10L LIGHT GREY	
04	147 1075 500	1	COVER OUTER DARK BACK	
04	147 1075 510	1	COVER OUTER DARK GREY	[1]
05	147 1101 500	1	LATCH KIT	
06	147 1078 500	1	ADAPTOR 10L LIGHT GREY	
07	147 1082 500	1	GRID EXHAUST	
08	147 1115 500	1	BASKET SACK FILTER	

Part Notes:

[1] - 2 gaskets included

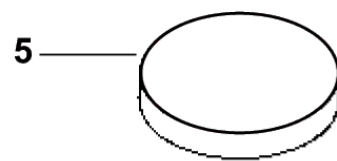
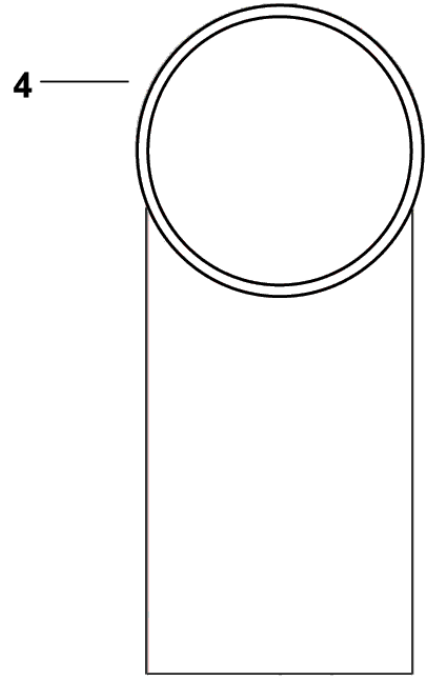
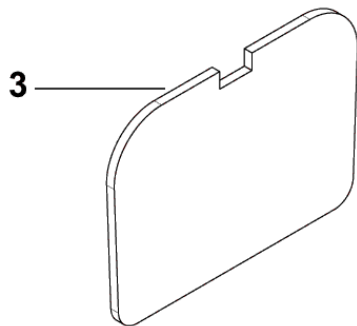
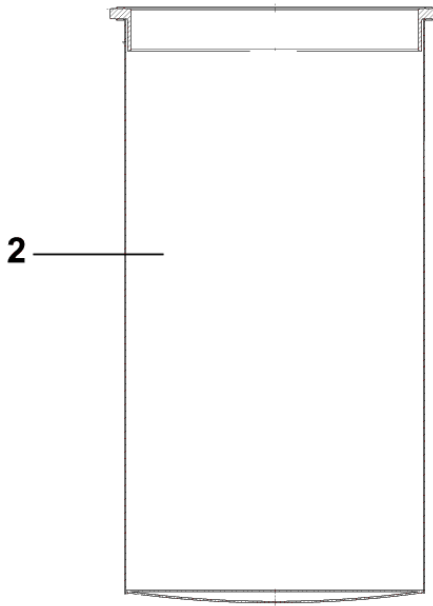
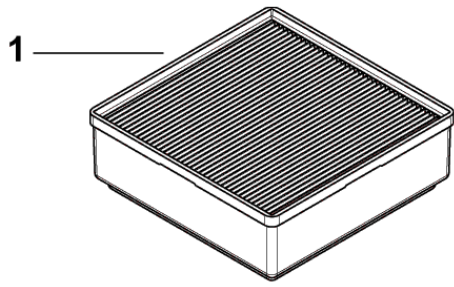




No.	Part No.	Qty.	Description	Part Note
01	147 1092 500	1	ADJUSTING PLATE	
02	147 1091 500	1	HARNESS SUPPORT	[1]
03	147 1246 500	1	HARNESS PREMIUM	
03	147 1246 510	1	HARNESS PREMIUM CPL	[2]
04	147 1090 510	1	HARNESS STD.CPL	[2]
04	147 1090 500	1	HARNESS STANDARD	
05	147 1247 500	1	LIFTING STRAP	
06	147 1248 500	1	PADDING,BACK PLATE	
07	147 1249 500	1	EXTENSION BELT	
08	147 1246 600	1	SCREW KIT	

## Part Notes:

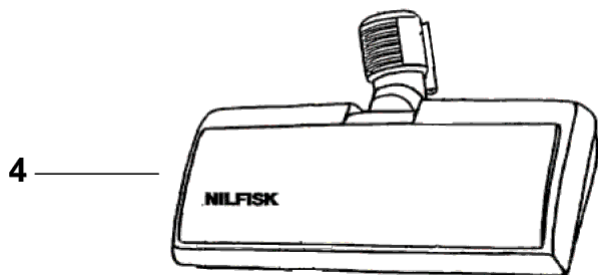
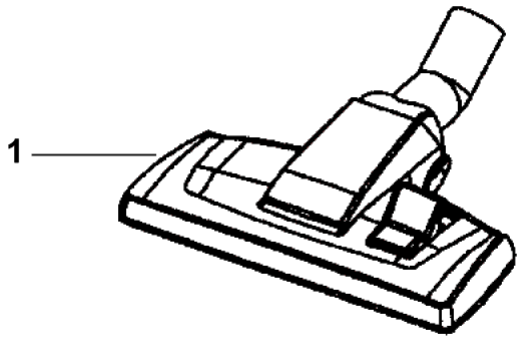
- [1] - Only to be used for machines produced after June 25th 2012. For older machines use 147 1246 510 or 147 1090 510
- [2] - includes position 1,2, 5 & 6 also.



No.	Part No.	Qty.	Description	Part Note
01	147 1104 500	1	HEPA FILTER CPL	
02	147 1099 500	1	SACK FILTER 10L	
02	147 1100 500	1	SACK FILTER 5L	
03	147 1089 500	1	EXHAUST FILTER	
04	147 1098 500	1	DUSTBAG 5L 5PACK	[1]
04	147 1497 500	1	DUST BAG WITH VALVE 5PCS	[2]
04	147 1097 500	1	DUST BAG KIT 10L 5-P	[1]
05	147 1095 500	1	640 PRE FILTER	[3]

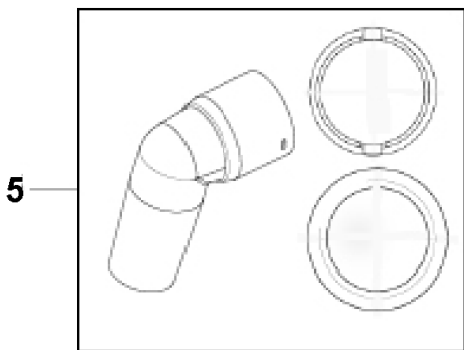
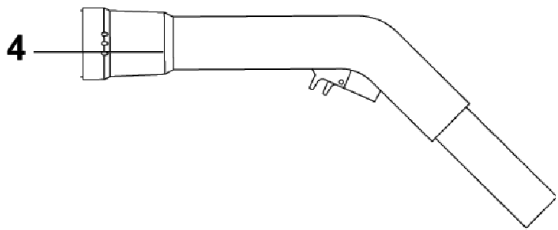
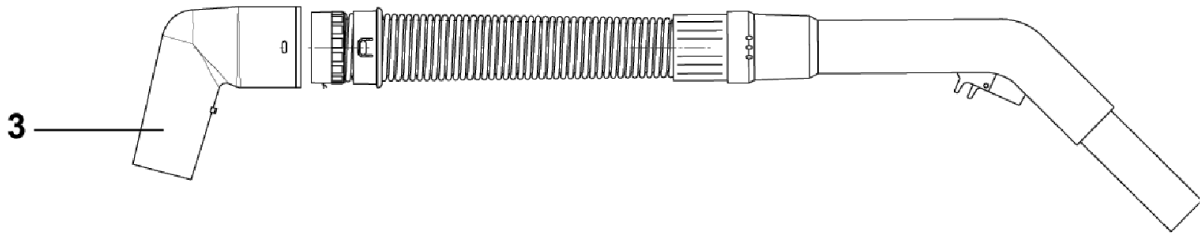
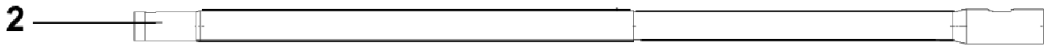
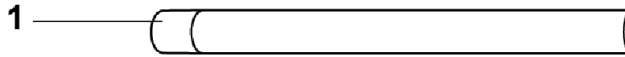
Part Notes:

- [1] - 1 Pre-filter included
- [2] - Only for JP  
PRUNED ACCESSORY
- [3] - Kit with 3 Pre-filters



---

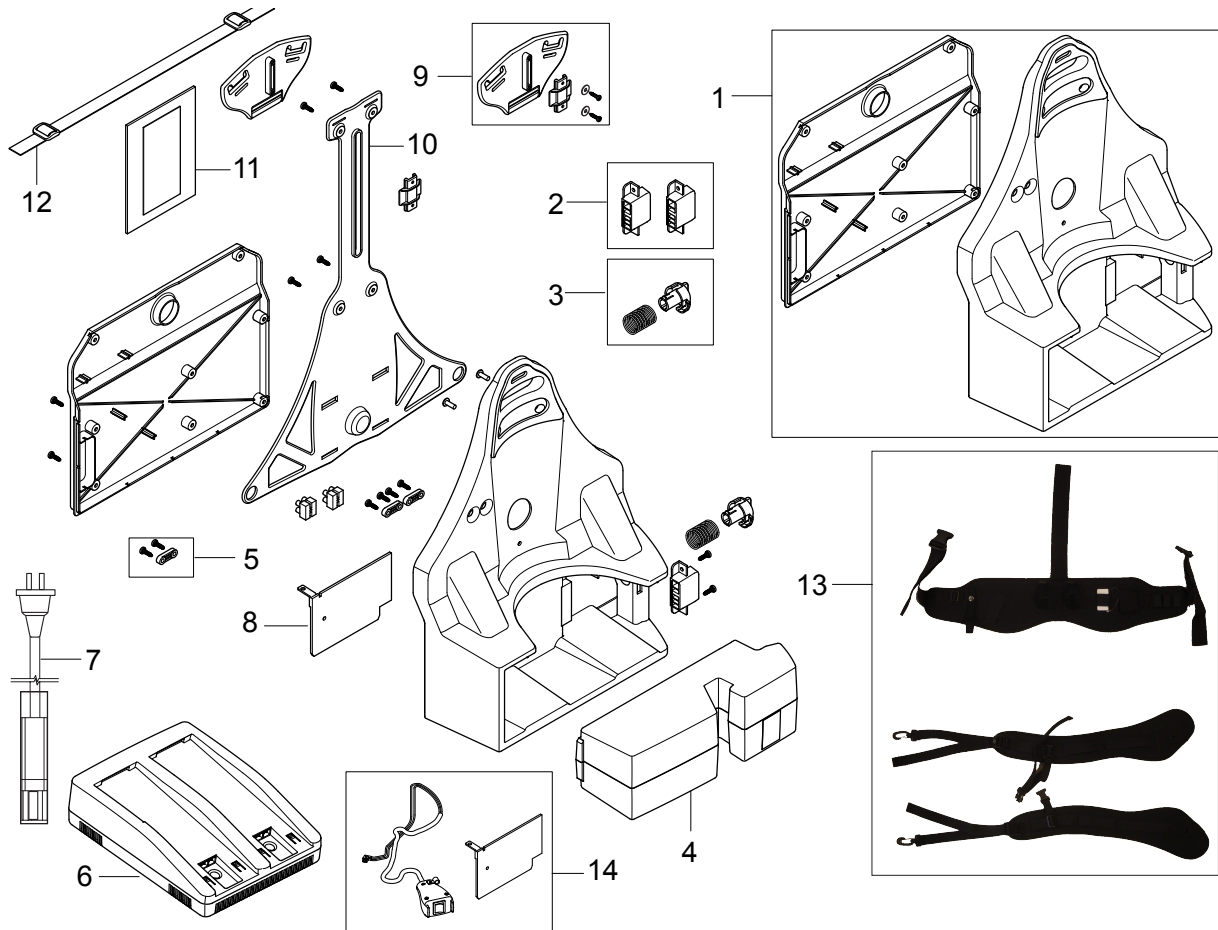
No.	Part No.	Qty.	Description	Part Note
01	140 8492 520	1	COMBI NOZZLE D32 W286	
02	140 8244 500	1	BRUSH NOZZLES KIT	
03	81140900	1	FLEXIBLE NOZZLE (32) PLAS	
04	22203000	1	ELECTRO NOZZLE 32 MM	



---

No.	Part No.	Qty.	Description	Part Note
01	011 6431 500	1	EXTENSION TUBE ALU 32MM	
02	011 8130 500	1	TELESCOPIC TUBE 32MM ALUM	
03	147 1236 500	1	HOSE CONICAL CPL	
04	140 7584 500	1	BENT END PIECE COMPLETE	
05	147 1085 500	1	HOSE COUPLING CPL.	

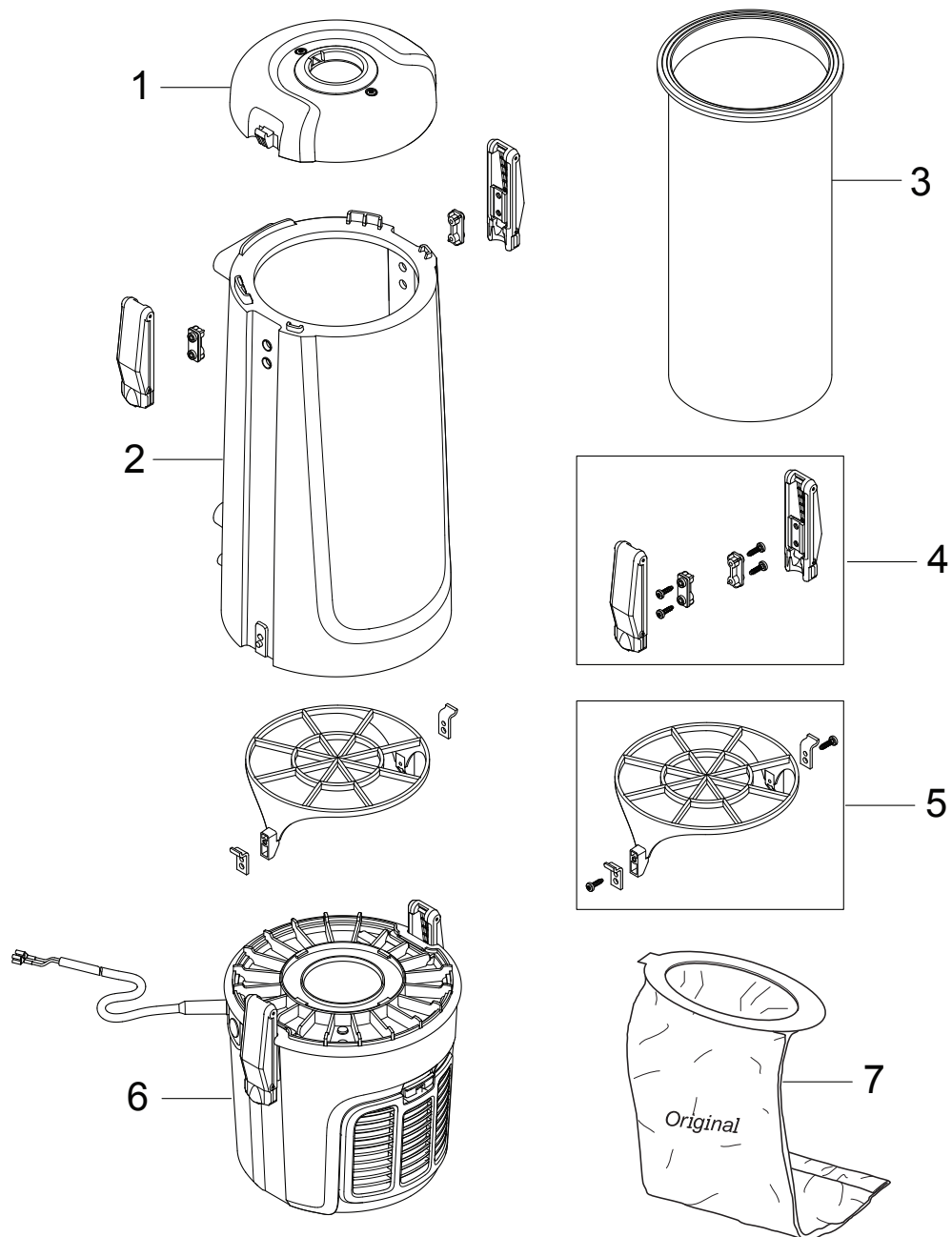




No.	Part No.	Qty.	Description	Part Note
1	147 1442 500	1	HOLDER BATTERY KIT	
2	147 1209 500	1	CONTACT HOUSING 5-PIN KIT	
3	147 1444 500	1	LOCK BATTERY KIT	
4	147 1197 000	1	BATTERY FOR - GD911	
5	140 6560 500	1	ANTI STRAIN CLIP	
6	147 1202 000	1	CHARGER FOR GD 911	[1]
7	147 1208 510	1	CORD CHARGER UK KIT	
7	147 1208 500	1	CORD CHARGER EU KIT	[2]
7	147 1208 530	1	CORD CHARGER US KIT	[3]
7	147 1208 540	1	CORD CHARGER JP KIT	
7	147 1208 520	1	CORD CHARGER AUS KIT	
8	147 1199 500	1	CONTROL BOARD KIT	[4]
9	147 1092 500	1	ADJUSTING PLATE	
10	147 1091 500	1	HARNESS SUPPORT	[5]
11	147 1248 500	1	PADDING, BACK PLATE	
12	147 1247 500	1	LIFTING STRAP	
13	147 1246 500	1	HARNESS PREMIUM	
13	147 1246 510	1	HARNESS PREMIUM CPL	[6]
14	107416228	1	PCB CORD A SWITCH KIT BATTERY	
NS	147 1470 000	1	OUT BOX	

Part Notes:

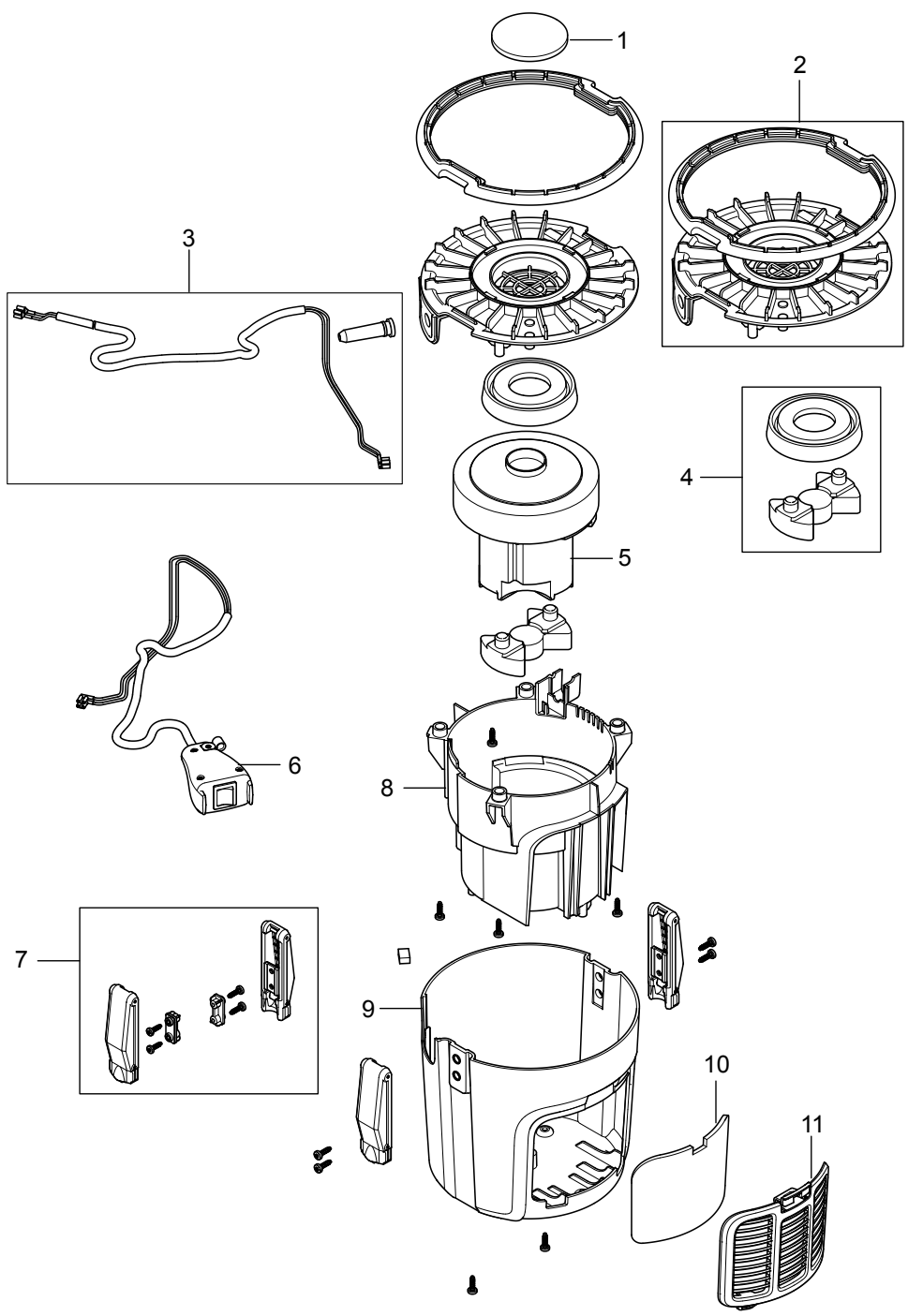
- [1] - NO SUBTITUTE
- [2] - PRUNED WITH NO REPLACEMENT
- [3] - NO LONGER AVAILABLE
- [4] - TSB- Vac-2010-103
- [5] - Only to be used for machines produced after June 25th 2012. For older machines use 147 1246 510 or 147 1090 510
- [6] - includes position 9, 10, 11, 12 also.



No.	Part No.	Qty.	Description	Part Note
01	147 1077 500	1	OUTER LID 5L LIGHT GREY	
01	147 1080 500	1	OUTER LID 10 L LIGHT GREY	
02	147 1076 500	1	CONTAINER 5L	
02	147 1079 500	1	CONTAINER 10L LIGHT GREY	
03	147 1099 500	1	SACK FILTER 10L	
03	147 1100 500	1	SACK FILTER 5L	
04	147 1101 500	1	LATCH KIT	
05	147 1115 500	1	BASKET SACK FILTER	
06		1	Motor parts	[1]

Part Notes:

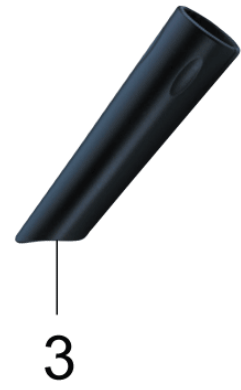
[1] - See Motor parts GD 5 Battery



No.	Part No.	Qty.	Description	Part Note
01	147 1095 500	1	640 PRE FILTER	[1]
02	147 1086 500	1	CHASSIS DARK GREY	
03	147 1472 000	1	RUBBER PLUG	
04	093 1027 010	1	CABLE PROTECTION USA	
05	147 1196 510	1	FAN UNIT 24V GD5 BATTERY	
06	147 1105 510	1	SWITCH CPL.GD5 BATTERY	
07	147 0560 500	1	MOTOR SUSPENSION KIT	
08	140 6560 500	1	ANTI STRAIN CLIP	
09	147 1101 500	1	LATCH KIT	
10	147 1088 500	1	MOTOR COVER	
11	147 1075 500	1	COVER OUTER DARK BACK	
12	140 9214 040	1	SCREW	
13	147 1089 500	1	EXHAUST FILTER	
14	147 1082 500	1	GRID EXHAUST	

Part Notes:

[1] - Kit with 3 pcs.

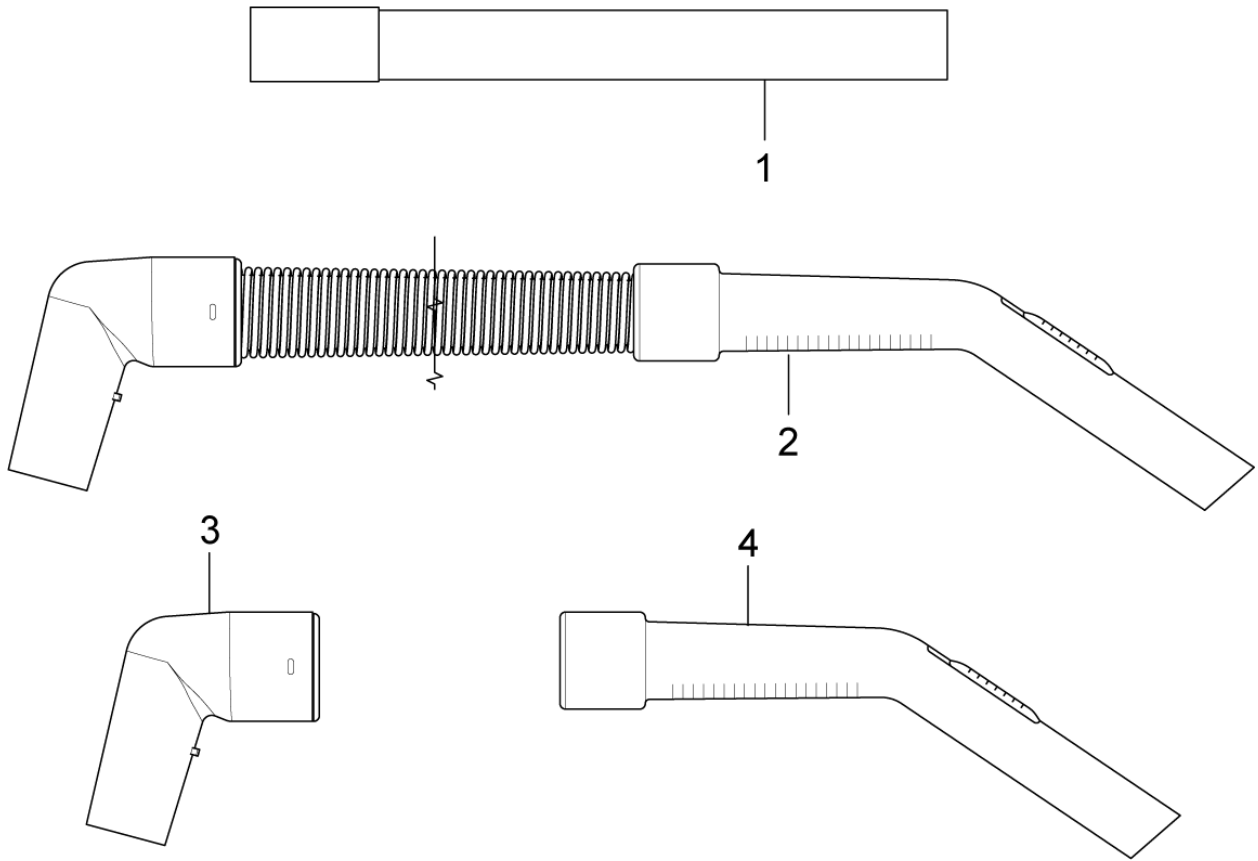


No.	Part No.	Qty.	Description	Part Note
1	140 8492 520	1	COMBI NOZZLE D32 W286	
2	140 8244 500	1	BRUSH NOZZLES KIT	
3	147 0146 500	1	CREVICE NOZZLE D32 L 153	
3	81140900	1	FLEXIBLE NOZZLE (32) PLAS	[1]
3	22302100	1	CREVICE NOZZLE BLACK	

## Part Notes:

[1] - Grey





No.	Part No.	Qty.	Description	Part Note
01	140 8246 040	1	EXTENSION TUBE 32MM	
02	147 1449 500	1	CONDUCTIVE HOSE CONICAL	
03	147 1085 500	1	HOSE COUPLING CPL.	
04	107402631	1	BENT END PLASTIC TUBE	



# RECOMMENDED SPARE PARTS

GD 5 Back

2017.11.02

2013.04.02

No.	Part No.	Qty.	Description	Part Note
01	140 6702 500	1	CORD SET JP 15.5M	
01	147 0504 510	1	CORD SET CN 15M	
01	147 1086 500	1	CHASSIS DARK GREY	
01	147 1095 500	1	640 PRE FILTER	[1]
01	147 1236 500	1	HOSE CONICAL CPL	
01	107402275	1	CIRCUIT BOARD 220-240V	
01	12003803	1	CORD 15 METRE	
01	147 1247 500	1	LIFTING STRAP	
01	147 1090 500	1	HARNESSTANDARD	
01	147 1109 510	1	FAN UNIT 220-240V,1300W	
01	147 1075 510	1	COVER OUTER DARK GREY	
01	147 1246 600	1	SCREW KIT	
01	147 1091 500	1	HARNESSTUPPORT	[2]
01	147 1197 000	1	BATTERY FOR - GD911	
01	147 1199 500	1	CONTROL BOARD KIT	
01	147 1449 500	1	CONDUCTIVE HOSE CONICAL	
01	147 1100 500	1	SACK FILTER 5L	
01	22156202	1	CORD CPL.UK KIT	
01	22156201	1	EXTENSION CORD EU KIT	
01	147 1208 530	1	CORD CHARGER US KIT	[3]
01	107407330	1	MOTOR 110V 400HZ FOR GD5 FLY	[4]
01	147 1104 500	1	HEPA FILTER CPL	
01	147 1115 500	1	BASKET SACK FILTER	
01	147 1085 500	1	HOSE COUPLING CPL.	
01	147 1105 510	1	SWITCH CPL.GD5 BATTERY	
01	147 1209 500	1	CONTACT HOUSING 5-PIN KIT	
01	107402274	1	SWITCH COMPLETE	
01	147 1202 000	1	CHARGER FOR GD 911	[5]
01	147 1246 500	1	HARNESSTANDARD	
01	147 0560 500	1	MOTOR SUSPENSION KIT	
01	147 1208 500	1	CORD CHARGER EU KIT	[6]
01	147 1090 510	1	HARNESSTANDARD.CPL	[7]
01	107402276	1	CIRCUIT BOARD 100-120V	
01	147 1111 500	1	MOTOR SUSPENSION KIT	
01	147 1089 500	1	EXHAUST FILTER	
01	147 1196 510	1	FAN UNIT 24V GD5 BATTERY	
01	147 1109 500	1	FAN UNIT 100-120V 1300W	
01	147 1092 500	1	ADJUSTING PLATE	
01	140 8497 530	1	CONNECTOR	
01	147 1444 500	1	LOCK BATTERY KIT	
01	147 1208 520	1	CORD CHARGER AUS KIT	
01	140 5496 510	1	SWITCH UL KIT	
01	107407331	1	CIRCUIT BOARD FOR GD5 FLY	[4]
01	147 1101 500	1	LATCH KIT	
01	147 1099 500	1	SACK FILTER 10L	
01	147 1208 510	1	CORD CHARGER UK KIT	
01	147 1208 540	1	CORD CHARGER JP KIT	

## Part Notes:

- [1] - KIT WITH 3 PRE-FILTERS
- [2] - Only to be used for machines produced after June 25th 2012. For older machines use 147 1246 510 or 147 1090 510
- [3] - NO LONGER AVAILABLE
- [4] - Only for GD 5 Fly
- [5] - NO SUBSTITUTE
- [6] - PRUNED WITH NO REPLACEMENT
- [7] - + 2

