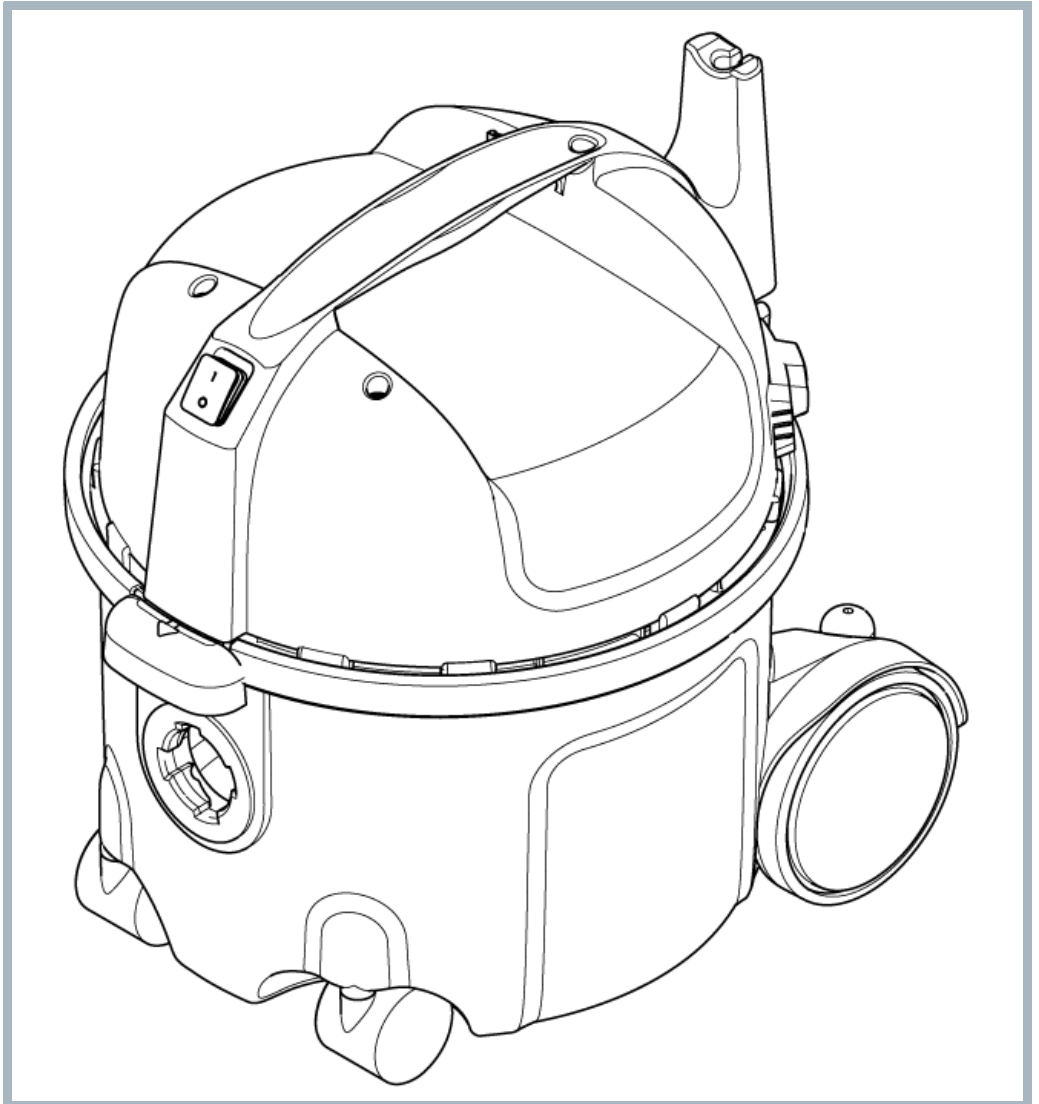


VP300 HEPA

Model:
VP300 HEPA



Part List US-English

21-02-2015

Table of Contents

VP300 HEPA

Summary VP300 HEPA	3
Summary VP300 HEPA (JP)	5
Accessories	7
RECOMMENDED SPARE PARTS	9

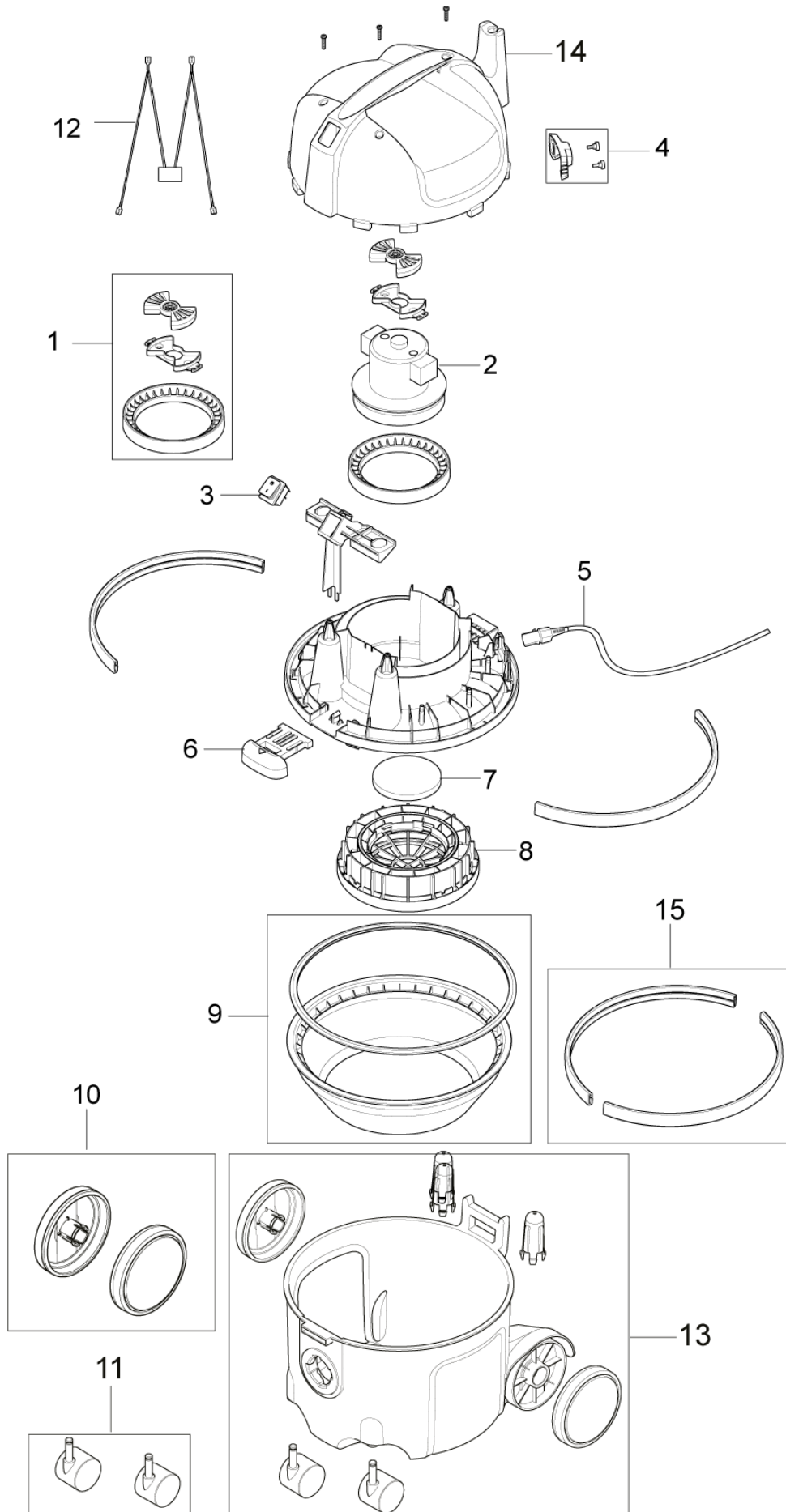
Summary VP300 HEPA

VP300 HEPA

21-02-2015

Part List ID
GD111004

3



Summary VP300 HEPA

VP300 HEPA

21-02-2015

Part List ID
GD111004

4

Pos	Part no.	Qty	Description
0	107402839	1	BOX VC300 HEPA EU1
0	147 1436 000	1	BOX GD111
1	147 0660 500	1	MOTOR SUSPENSION KIT
2	107402675	1	FAN UNIT 1200W TCO KIT
3	140 9537 500	1	SWITCH TWO POLE KIT
4	107402674	1	CORD LOCK KIT
5	107402676	1	DETACH CORD SET 10M ORANGE EU
5	107402677	1	DETACH CORD SET 10M ORANGE UK
5	107402678	1	DETACH CORD SET 10M ORG AUS/NZ
5	107402901	1	DETACH CORD SET 15M ORANGE EU
6	147 1409 500	1	LATCH
7	147 0670 500	1	MOTOR FILTER
8	107402902	1	HEPA FILTER Accessory
9	147 1432 500	1	SACK FILTER Accessory
10	140 8458 500	1	WHEEL REAR KIT
11	140 6422 500	1	WHEELS LINK 50MM
12	140 7620 530	1	SUPPRESSOR EU/UK/AU/NZ
13	107406056	1	CONTAINER VP300
14	107409034	1	COVER TOP XTRA FOR VP300 KIT
15	107410399	1	BUMPER LIGHT GREY SET

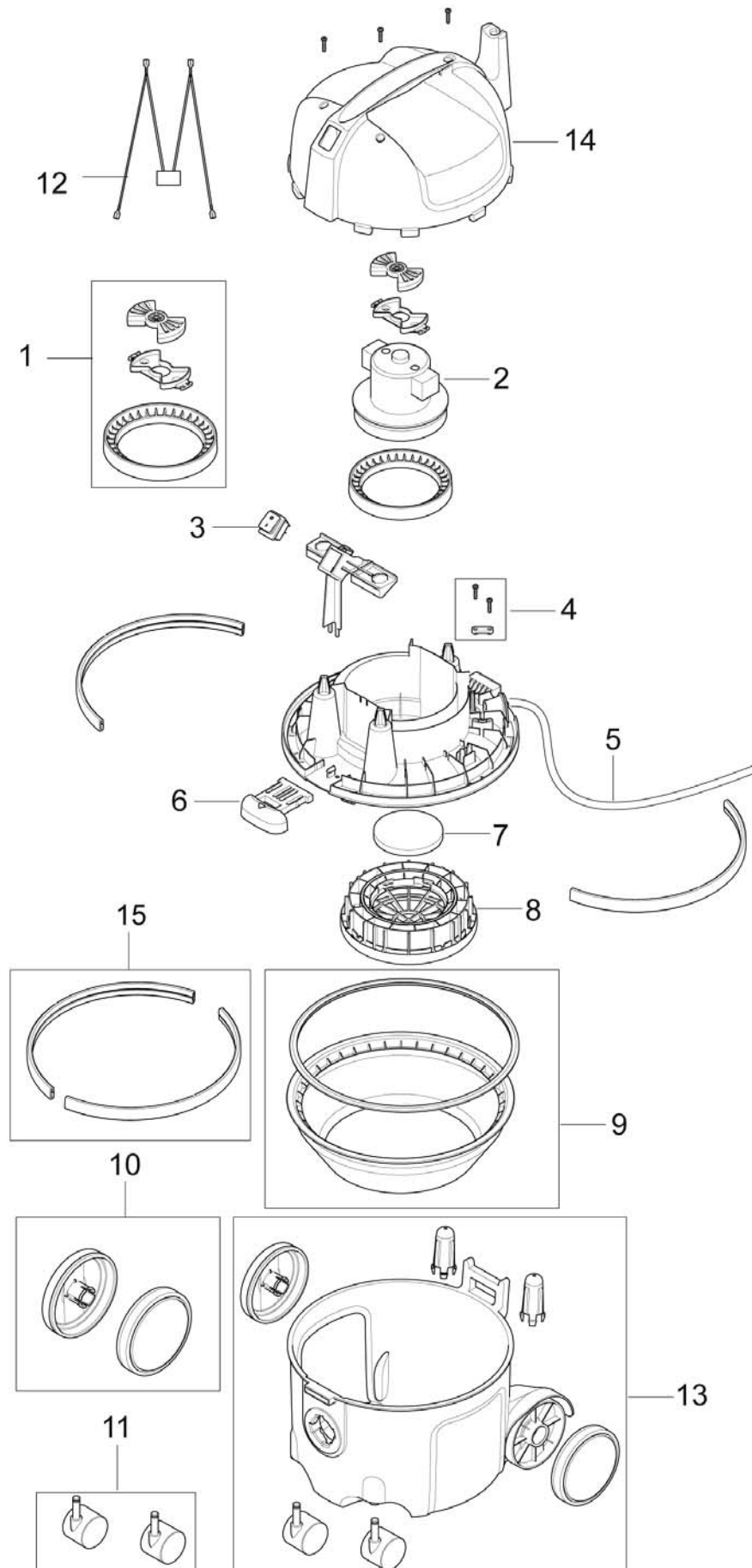
Summary VP300 HEPA (JP)

VP300 HEPA

21-02-2015

Part List ID
VP300H02

5



Summary VP300 HEPA (JP)

VP300 HEPA

21-02-2015

Part List ID
VP300H02

6

Pos	Part no.	Qty	Description
1	147 0660 500	1	MOTOR SUSPENSION KIT
2	147 1168 500	1	FAN UNIT 100V NILFISK
3	140 9537 500	1	SWITCH TWO POLE KIT
4	140 6560 500	1	ANTI STRAIN CLIP
5	107403731	1	CORDSET 15.5 M JP
6	147 1409 500	1	LATCH
7	147 0670 500	1	MOTOR FILTER
8	107402902	1	HEPA FILTER
9	147 1432 500	1	SACK FILTER
10	140 8458 500	1	WHEEL REAR KIT
11	140 6422 500	1	WHEELS LINK 50MM
12	107408852	1	WIRE HARNESS AWG16 410MM
13	107406056	1	CONTAINER VP300
14	107408800	1	COVER TOP FOR VP300 KIT
15	107410399	1	BUMPER LIGHT GREY SET

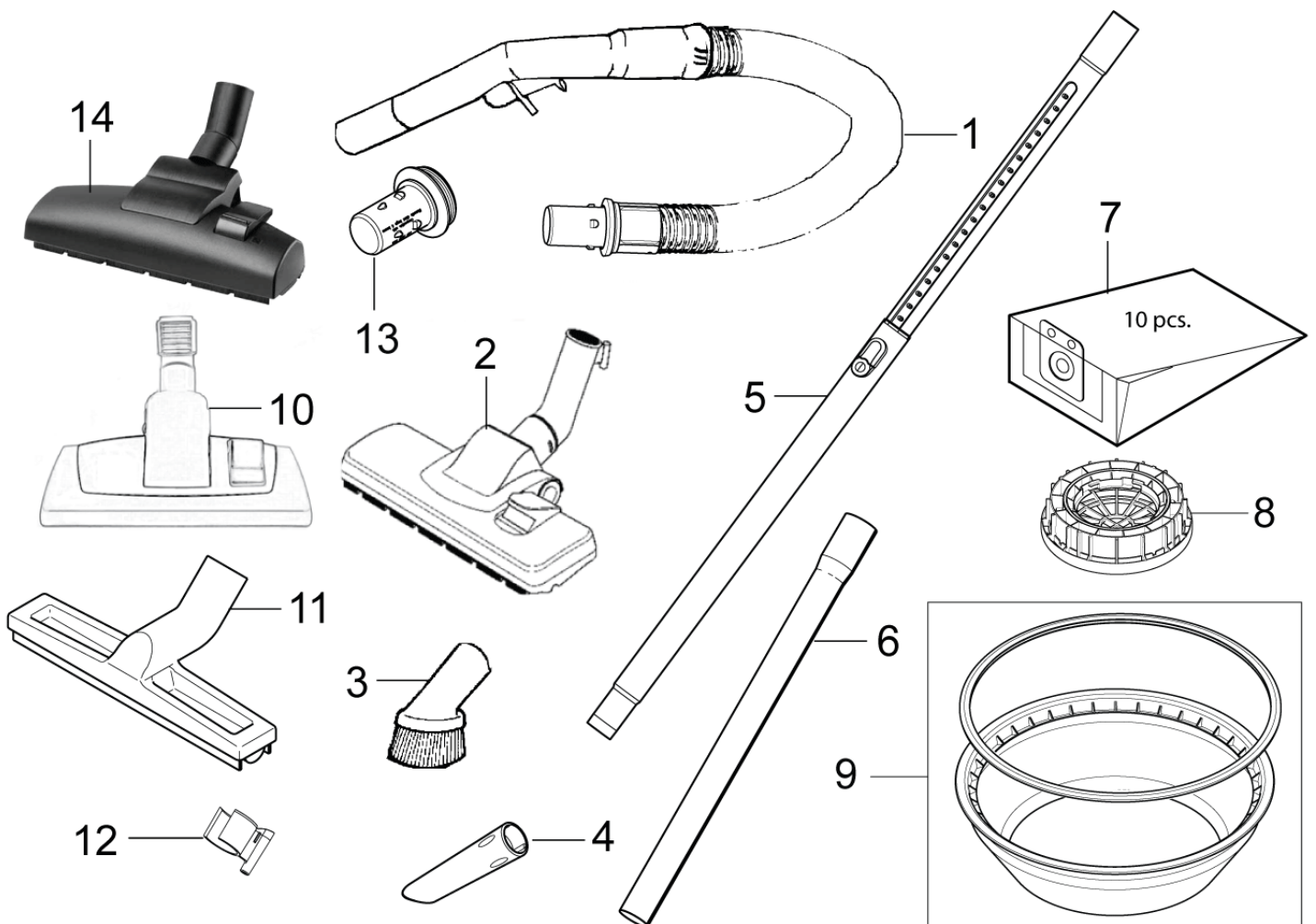
Accessories

VP300 HEPA

21-02-2015

Part List ID
VC300H06

7



Accessories

VP300 HEPA

21-02-2015

Part List ID
VC300H06

8

Pos	Part no.	Qty	Description
1	147 0765 500	1	HOSE CPL D32
2	107403122	1	COMBI NOZZLE D252 D32
3	140 8244 500	1	BRUSH NOZZLE D32
4	147 0146 500	1	CREVICE NOZZLE D32 L153 BLACK
5	107403804	1	TELESCOPIC TUBE ACC. GD111 X-tra, VP300 HEPA
6	011 6431 500	2	EXTENSION TUBE ALUMINIUM
6	140 8246 040	2	EXTENSION TUBE STEEL D32
7	140 8618 000	1	DUST BAG 10L 10PCS
8	107402902	1	HEPA FILTER VP300 HEPA
9	147 1432 500	1	SACK FILTER
10	140 8492 520	1	COMBI NOZZLE RD295 D32 VP300 HEPA
11	140 6700 540	1	NOZZLE MULTI SURFACE 32 MM
12	147 0585 500	1	PARKING CLIP BLACK
13	107401199	1	NUMATIC ADAPTER 20PCS

RECOMMENDED SPARE PARTS

VP300 HEPA

21-02-2015

Part List ID
VC300H08

9

No Drawing For Part List

RECOMMENDED SPARE PARTS

VP300 HEPA

21-02-2015

Part List ID
VC300H08

10

Pos	Part no.	Qty	Description
0	107402674	1	CORD LOCK KIT
0	107402675	1	FAN UNIT 1200W TCO KIT
0	107402676	1	DETACH CORD SET 10M ORANGE EU
0	107402677	1	DETACH CORD SET 10M ORANGE UK
0	107402678	1	DETACH CORD SET 10M ORG AUS/NZ
0	107402901	1	DETACH CORD SET 15M ORANGE EU
0	140 6422 500	1	WHEELS LINK 50MM
0	140 7620 530	1	SUPPRESSOR EU/UK/AU/NZ
0	140 8458 500	1	WHEEL REAR KIT
0	140 9537 500	1	SWITCH TWO POLE KIT
0	147 0660 500	1	MOTOR SUSPENSION KIT
0	147 0670 500	1	MOTOR FILTER
0	147 1409 500	1	LATCH
0	147 1432 500	1	SACK FILTER