

# PARTS LIST

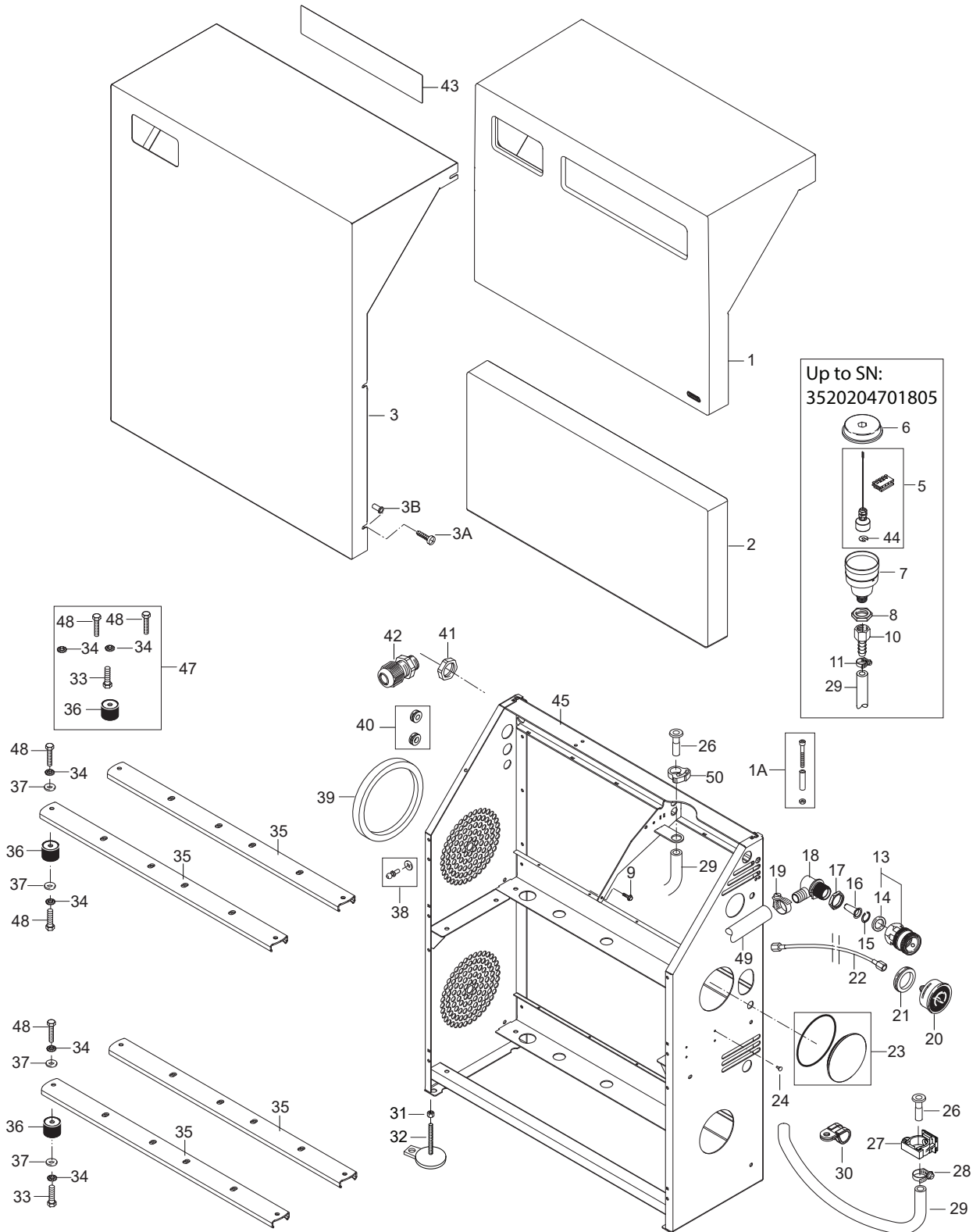


2021.03.29

# TABLE OF CONTENTS

---

Overview_DUO.....	1
Electric box_DUO.....	4
Motor.....	7
LOWER Cylinder block.....	9
UPPER Cylinder block.....	11
UPPER Control safety block from serial no. 3520191200333 – 2019. Mar. 21.....	13
Control safety block 2.....	15
UPPER Control safety block up to serial no. 3520191200333 – 2019. Mar. 21.....	17
UPPER Connection plate.....	19
LOWER connection plate.....	21
Hose reel.....	23

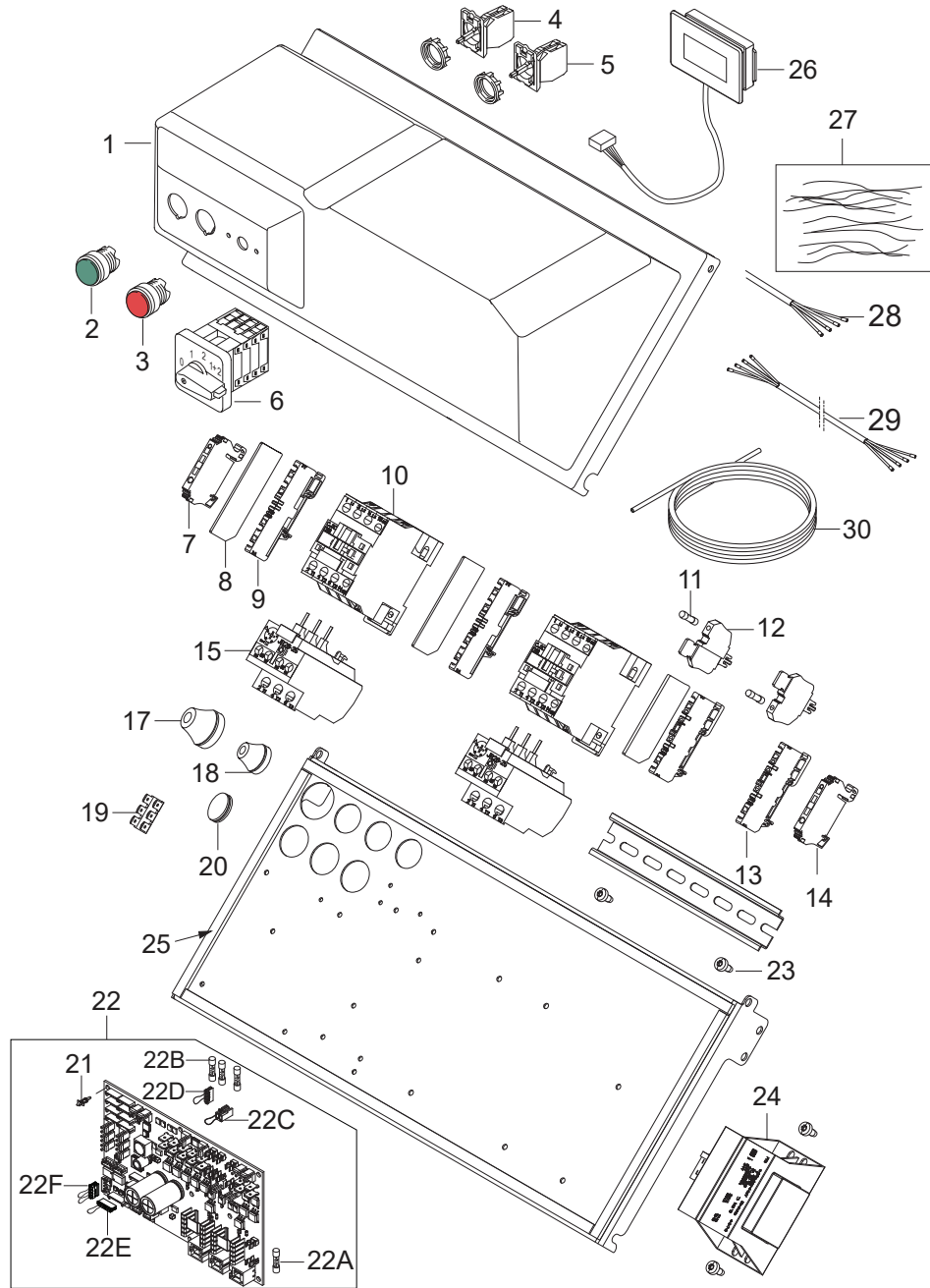


No.	Part No.	Qty.	Description	Part Note
1	107307349	1	CABINET EPP	
1A	101118162	1	SCREW KIT FOR CABINET	
2	107307350	1	CABINET EPP DUO	
3	107307353	1	CABINET SS. DUO	
3A	107143307	4	SCREW M5X16 A2 ECO-FIX FORM H	
3B		4	Pop-nut M5 A2 WO/flange	
5	101118173	2	OIL SENSOR W/PLUG KIT	[1]
6	301000615	1	OIL TANK COVER	
7	301000614	1	OIL TANK	
9	106268067	4	HEX FLANGE BOLT M6X20MM DIN7500 N	
8	101609356	1	NUT 1/2IN	
10	107307313	1	HOSESTUD D10X3/8	
11	1805100	1	HOSE CLIP 8-22MM	
13	1602945	2	QUICK COUPLING 3/4	
14	3001237	2	GASKET Ø24.5XØ16X3	
15	107141667	2	LOCK WASHER	
16	101117926	2	FILTER	
17	1800341	2	LOCK NUT (1102760,1500070	
18	107141669	2	WATER INLET PIPE C3	
19	8298	1	HOSE CLIP	
20	107141648	1	MANOMETER 0-300 BAR	
21	103004331	1	SLEEVE PVC 45/ 60	
22	107307316	1	MANOMETER HOSE DN2.	
23	101118165	2	PLUG + O-RING KIT FOR FRAME UNO/DUO	
24	107307314	1	SNAP RIVET D12/D6	
26	107307339	1	PLUG D 12.7MM PLASTIC	
27	107307338	1	PIPE CLIP D20 BR220-5 PA	
28	1805100	1	HOSE CLIP 8-22MM	
29	5206065	3	AIR PRESSURE HOSE 1/2	
30	101117718	1	CLAMP FOR PIPE	
31	1810068	8	NUT M12	
32	104601172	4	SUPPORTING BLOCK HX66-12-50	
33	107307299	14	SCREW HEX M8X14 A2 ISO 4017	[2]
33		8	Screw M8x45 A2 ISO4762	
34	1810274	16	WASHER M8	
35	107307311	1	PROFIL M/P	
35	107307312	1	PROFIL M/P SS	
36	107307309	4	GUMMI METAL BUFFER D30X30	
37	1802917	4	WASHER M8	
38	101118164	1	PINS KIT FOR CABINET	
39	107307310	1	SEALING FOR MOTOR	
40	101118163	1	BLANKING PLUGS KIT FOR FRAME UNO/DU	
41	909100021	1	HEXAGON NUT M32X1.5	
42	103821837	1	CABLE BUSHING M32X1.5	
43	107307362	1	FRONTLABEL SC DUO	
43	107307374	1	FRONTLABEL UNITOR HPC STATIONARY 2P	
44	107142593	1	HOLDING WASHER PE	[3]
45	107307377	1	FRAME PAINTED SC DUO 6P/7P	
47	101118289	8	RUBBER MET. BUFFER D40X30 KIT SC UNO/DUO	[4]
48	1802909	12	SCREW HEX M8X16 A2 DIN 933	
49	107307337	1	HOSE 3/4INCH GREY MULTIFLEX AIR 20	
50	107306462	1	HOSE SNAP CLIP Ø20-Ø22MM	

Part Notes:

- [1] - MI 107309166 JST Connector
- [2] - TSB-PPW-2016-020 SC UNO-DUO 6P Motor bracket bolts can loosen
- [3] - TSB-PPW-2016-017 Locking ring for oil level switch falling off

- [4] - TSB-PPW-2017-020 SC UNO\_DUO Broken dampers between the pump and frame
- FR TSB-PPW-2017-020 SC UNO\_DUO Casse des amortisseurs de la liaison moteur\_chassis



No.	Part No.	Qty.	Description	Part Note
1	107307319	1	E-BOX COVER UNO/DUO	
2	103821823	1	SIGNAL LIGHT ATTACHMENT G	
3	103821824	1	SIGNAL LIGHT ATTACHMENT	
4	103821825	1	SOCKET OF INDICATOR-MAKE	
5	103821826	1	SOCKET OF INDICATOR-BRAKE	
6	103821838	1	SWITCHING CONTACT DUO	
7	107307325	1	END PLATE PAP 2.5/4/4AN	
8	107307321	3	END PLATE PAP - PTR 2.5/4	
9	107307324	2	TERMINAL BLOCK PDU 2.5/4/4AN	
10	103822306	2	CONTACTOR CJX2-D18-B7 24V	[1]
10	103822313	2	CONTACTOR 12-25A	[2]
10	103822317	1	CONTACTOR CJX2-D32 32A	[3]
12	107307322	2	FUSE PLUG - SIHA 3/G20 - PTR 2.5/4	
11	107307323	2	FUSE D5X20 0.63A T 250V	
13	107318227	2	TEST TERMINAL PUSH-IN P-SER. PTR 2.5/4	
14	107318193	2	END BRACKET FOR DIN-RAIL	
15	103822327	2	THERMAL RELAY 12-18AMP	[4]
15	103822328	2	THERMAL RELAY 17-25AMP	[4]
15	103822329	2	THERMAL RELAY 23-32AMP	[4]
17	3803798	1	RUBBER SEAL 14-20C	
18	3803780	3	RUBBER SEAL TE 10-14C	
19	107307326	1	EARTH CONNECTOR 6 PIN	
20	107318235	1	RUBBER PLUG 25 BLACK	
21	107307320	8	MINIATURE DOUBLE LOCKING. 7MM/3.5MM	
22	101118236	1	PCBA NEO PLATFORM 13 SC	[5]
22A	31001190	1	FUSE 6.3A 5X20 MM 250V	
22B	15846	3	FUSE T 2.5 A	
22C	107146536	1	JUMPER JST VHR 2 POLE 1-2	
22D	107146537	1	JUMPER JST EHR 4 POLE 2-4	
22E	107146538	1	JUMPER JST EHR 2 POLE 1-2	
22F	107146539	1	JUMPER JST EHR 4 POLE 1-2 AND 3-4	
23	107141690	6	SCREW M5X12 DIN985	
24	107307331	1	TRAFO 40VA PR 230-400-440.SEC1+2 24VAC	
25	107307330	1	DAFACELL 4X8MM ADHESIVE	
26	107307329	1	PCBA HOUR COUNTER DISPLAY	
27	101118167	1	VARIOUS WIRES KIT FOR E-BOX UNO 400/3/50	
27	101118168	1	VARIOUS WIRES KIT FOR E-BOX UNO L 400/3/	
27	101118169	1	VARIOUS WIRES KIT FOR E-BOX UNO 440/3/60	
27	101118170	1	VARIOUS WIRES KIT FOR E-BOX DUO 400/3/50	
27	101118171	1	VARIOUS WIRES KIT FOR E-BOX DUO 440/3/60	
28		1	Power cord H07RN-F 4G2.5	
28		1	Power cord H07RN-F 4G6	
28		1	Power cord H07RN-F 4G10	
29	101118172	1	MOTORCABLES KIT SC UNO/DUO NA5/NA6/C3	
29	101118179	1	MOTORCABLES KIT FOR SC UNO/DUO NA6+	[6]
30	31001016	1	REMOTE/JUNCTION BOX CABLE 25 M	

## Part Notes:

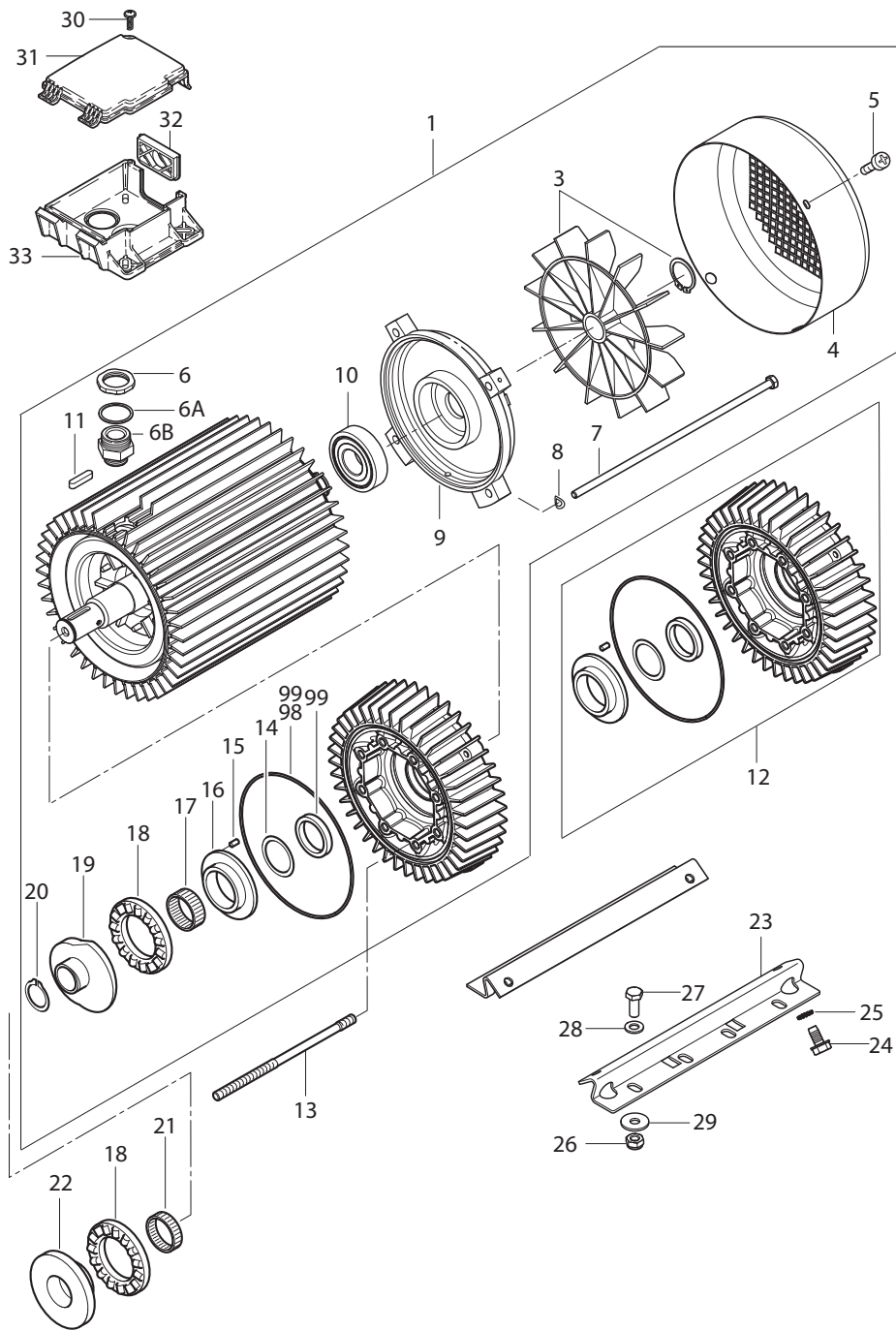
- [1] - Uno 5M-200/1050, Uno 6P-170/1610, Uno 7P-180/1200, Duo 6P-170/3220, Duo 7P-180/2400
- [2] - Uno 8P-200/1900, Uno 8P-160/2500, Duo 8P-200/3800, Duo 8P-160/5000
- [3] - Option 230/3/50 conversion kit
- [4] - TSB-PPW-2015-009 SC UNO\_DUO Thermal Relay Setting  
DE TSB-PPW-2015-009 SC UNO DUO Einstellung thermischer Motorschutzschalt...
- [5] - TSB-PPW-2015-010 SC DUO 7P Installation Instruction for NEW Circuit Board  
DE TSB-PPW-2015-010 SC DUO 7P Installationsanleitung für die neue NEO St...  
TSB-PPW-2016-001 Remote Control failure on SC UNO\_DUO

TSB-PPW-2017-007 SC UNO\_SC DUO new circuit board 101118236

DE TSB-PPW-2017-007 SC UNO SC DUO neue Platine 101118236

[6] - SC 8P

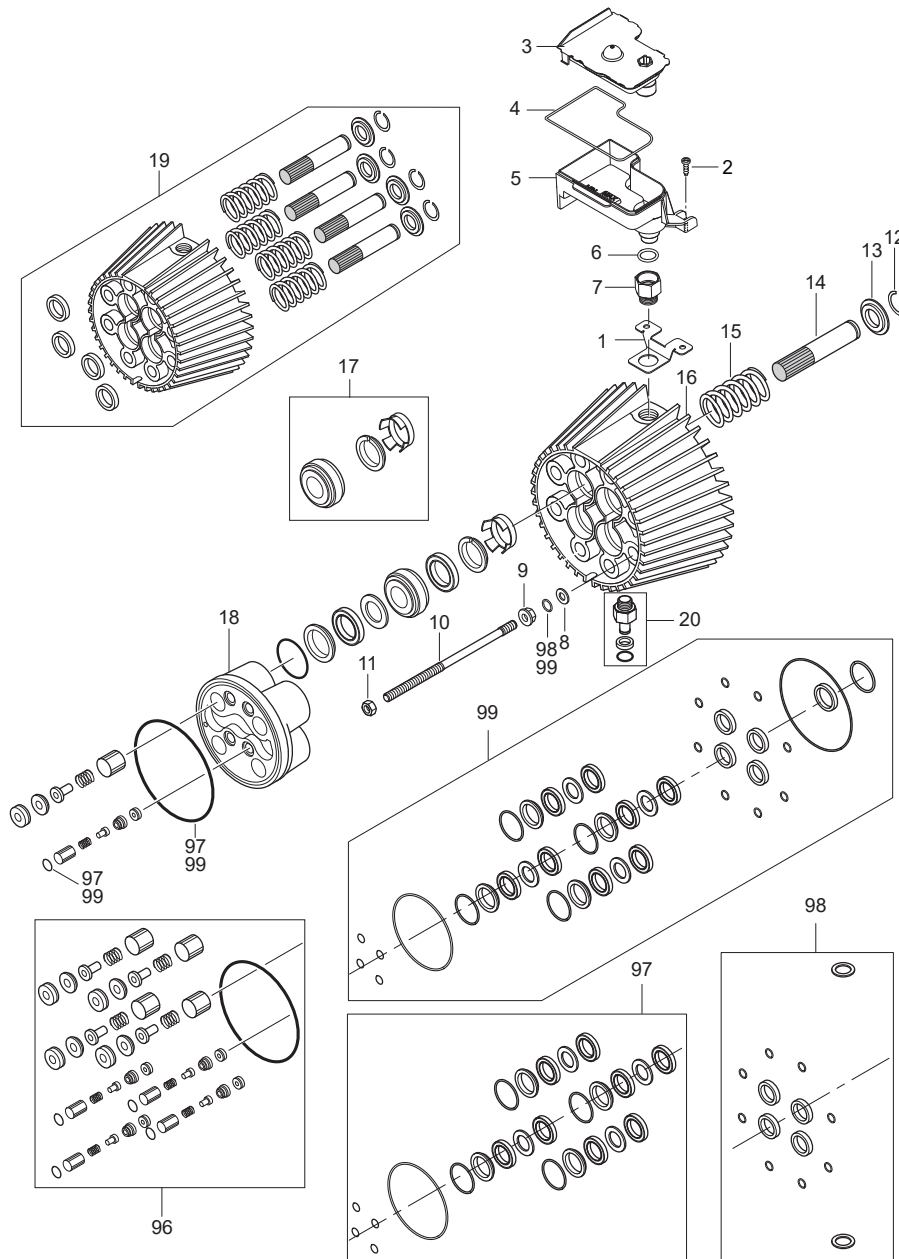




No.	Part No.	Qty.	Description	Part Note
	107146572	1	DUO LOWER MPU C3 PA 6.5kW 3/400/50	
	107146571	1	UNO/DUO TOP MPU C3 PA 6.5kW 3/400/50	
	31001229	1	OIL ISO 150 ALPHASYN-T 20L	
0	5218433	1	PUMP OIL 150 1*1 L	
1	107300135	1	MOTOR 6.5KW-230V/440V/50HZ/3PH 6.833DEG	
1	107120751	1	MOTOR 6.5KW 440 220 3 60	
1	107120750	1	Motor 6,5kW 400-415	
3	107142275	1	FAN INCL. LOCK RING	
4	107142276	1	COVER FOR FAN	
5	101814693	2	SCREW M4X 8 EE DIN 7500	
6	20862	1	HEXAGON NUT R1 DIN 431	
6A	103004340	1	GASKET 1 INCH	
6B	107302152	1	BUSH G1 AG/G3/4	
7	31000493	4	STAY BOLT 306 MM	
8	1801182	4	SPRING WASHER M8	
9	107142277	1	REAR BEARING COVER	
10	31000149	1	REAR BEARING RF	
11	3200672	1	KEY 6X6X32	
12	107140615	1	FRONT BEARING COVER	
13	6301368	8	STUDS	
14	6100995	1	WASHER	
15	6100996	1	GUIDE PIN	
16	107120703	1	BEARING (R/P 6100943/1007	
17	3200656	1	NEEDLE BEARING INA K	
18	3200615	2	AXIAL ROLLER BEARING	
19	107120710	1	WOBBLE DISC 6	[1]
19	107120716	1	WOBBLE DISC	[2]
20	1802511	1	SEGER CIRCLIP	
21	3200664	1	NEEDLE BEARING	
22	107120704	1	BEARING TRACK	[3]
23	107142071	2	MOTOR BRACKET C3	
24	107140908	4	SPECIAL SCREW M10x20 F.	
25	10204	8	SERRATED LOCK WASHER A10	
26	8952	4	HEX M10 LOCK NUT NYLON	
27	1801133	4	SCREW M10X25 ISO4017 ZN	
28	2767	4	WASHER 10.5 X 20 X 2	
29	4827	4	WASHER 10.5X2.5	
30	10028	4	SCREW KA50X14 WN1411	
31	301000782	1	COVER ELEC.BOX 128,2X	
32	17106	1	INSET	
33	301000781	1	ELECTRIC BOX	
98	1119820	1	REP.KIT OILGASKET 03/C3	
99	1119570	1	REP.KIT GASKETS, MPS	

Part Notes:

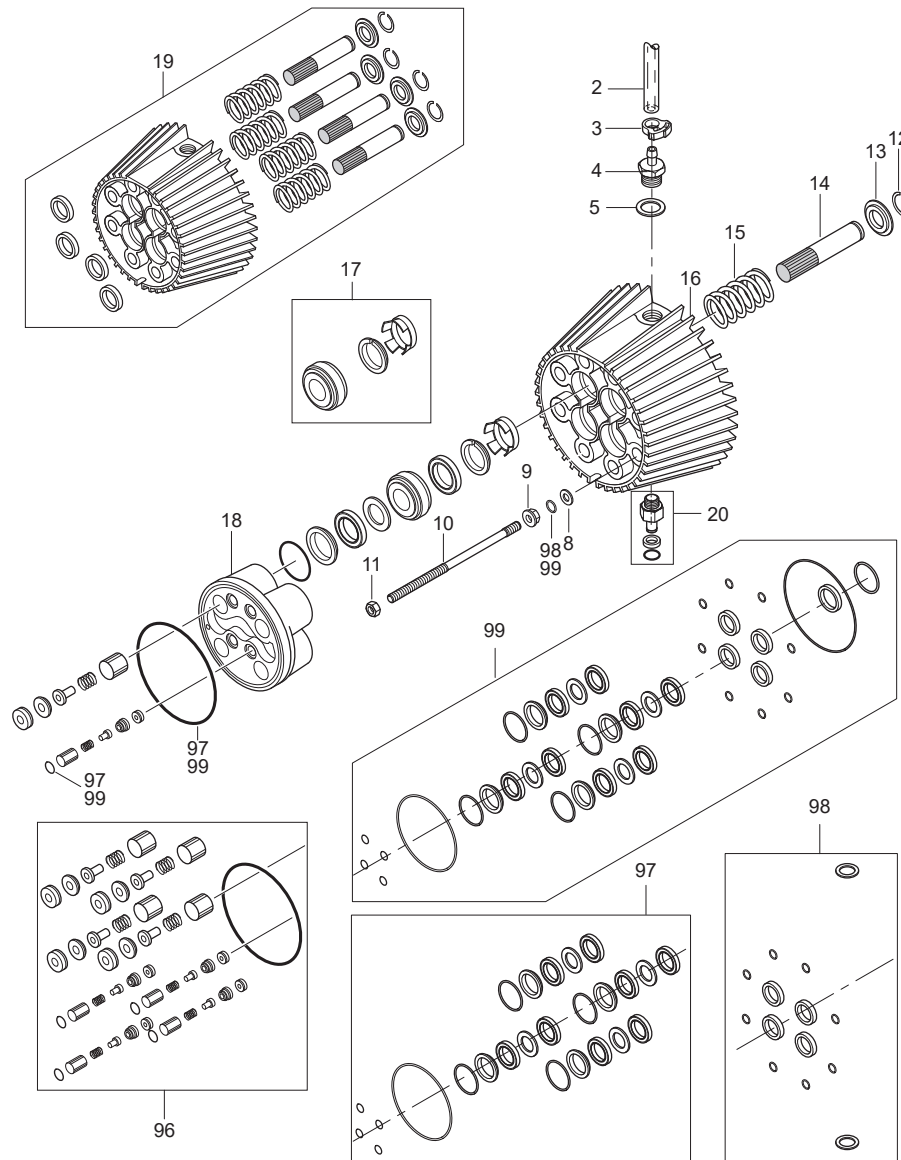
- [1] - TSB-PPW-2019-007 C3 NA6 Wobble Disc and Bearing Track surface hardening change  
SC UNO 7P-180/1200 440/3/60 EXPT, SC DUO 7P-180/2400 440/3/60 EXPT  
UNITOR HPC STATIONARY 2P – 180/2400
- [2] - TSB-PPW-2019-007 C3 NA6 Wobble Disc and Bearing Track surface hardening change  
SC UNO 7P-180/1200 400/3/50 EU, SC DUO 7P-180/2400 400/3/50 EU
- [3] - TSB-PPW-2019-007 C3 NA6 Wobble Disc and Bearing Track surface hardening change



No.	Part No.	Qty.	Description	Part Note
	31001229	1	OIL ISO 150 ALPHASYN-T 20L	
-	5218433	1	PUMP OIL 150 1*1 L	
1	107141609	1	PLATE FOR ADAPTOR FOR	
2	107140881	2	SCREW M5X12 DIN 7985 TORX	
3	107140883	1	OIL CONTAINER TOP	
4	101406054	1	SPONGE RUBBER Ø 4 1M	
5	107140879	1	OIL CONTAINER BOTTOM	
6	107140882	1	O-RING 15.0 X 3.0 SMS	
7	107141610	1	SCREW CONNECTION C3	
8	6100718	8	WASHER	
9	6100719	8	THRUST COLLAR	
10	6301368	8	STUDS	
11	1800465	8	NUT M10 REPLACES 1101240	
12	1802529	4	LOCK RING SW24	
13	6100666	4	RING F. RETURN SPRING	
14	6301166	4	CERAMIC PISTON C3	
15	102602517	4	RETURN SPRING R/P#2602274	
16	6100610	1	CYLINDER BLOCK	
17	101119850	4	KIT THRUSTRING +BACK UP	
18	107120701	1	CYLINDER HEAD C3	
19	6300071	1	CYLINDER BLOCK	
20	101118175	1	DRAIN PLUG W/MAGNET KIT NA6	
96	1119195	1	REP.KIT F. SUCT./PRES. VA	[1]
97	1119571	1	REP.KIT F. GASKETS (RED.)	[2]
98	1119820	1	REP.KIT OILGASKET 03/C3	
99	1119570	1	REP.KIT GASKETS, MPS	

Part Notes:

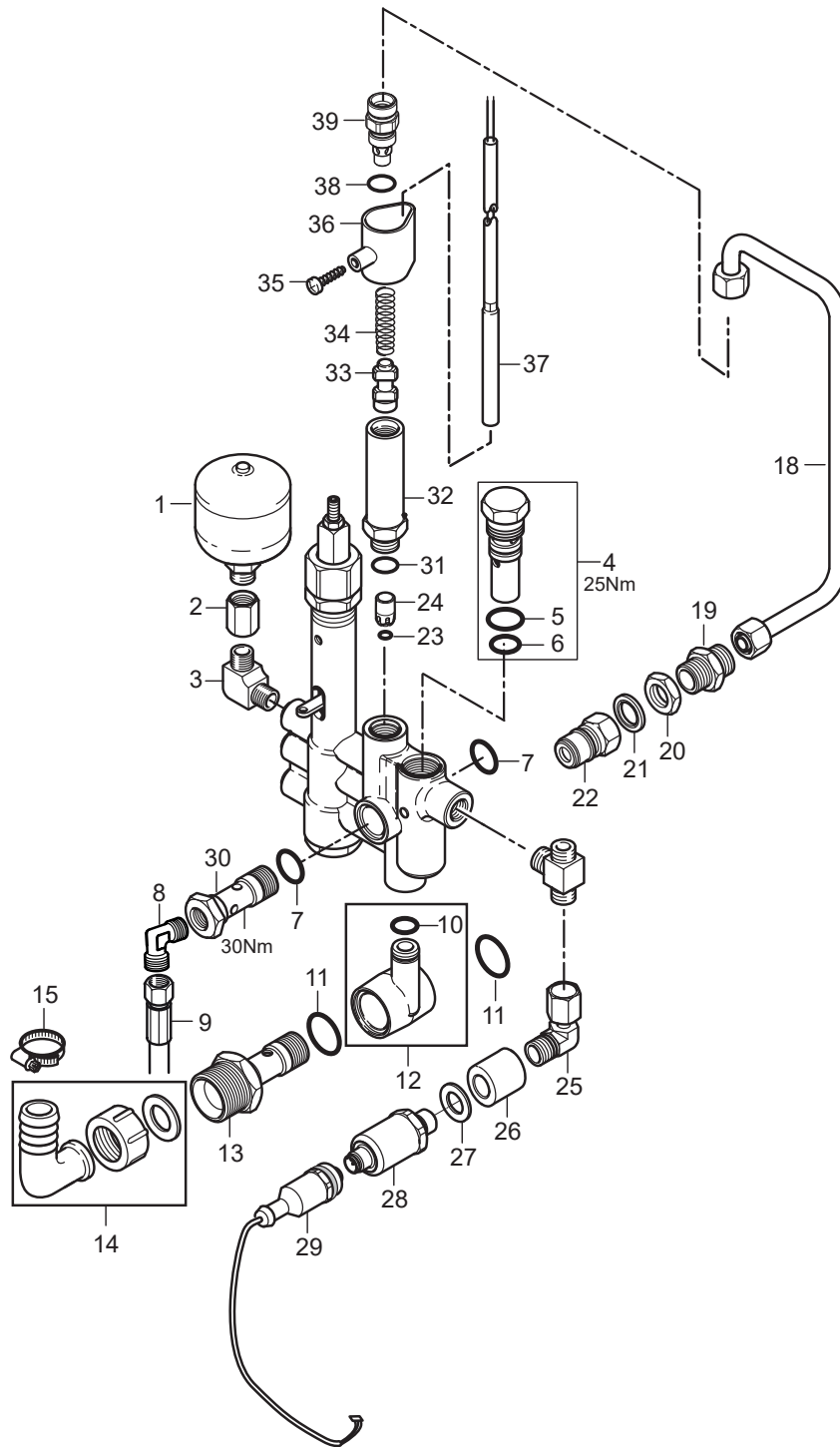
- [1] - TSB-PPW-2016-013 SC DUO 7P Valves in pump potential wrong  
DE TSB-PPW-2016-013 SC DUO 7P Pumpenventile möglicherweise falsch
- [2] - TSB-PPW-2016-011 Rep kit 1119571 and 1119570 potential have wrong O-ring in kit



No.	Part No.	Qty.	Description	Part Note
	31001229	1	OIL ISO 150 ALPHASYN-T 20L	
0	5218433	1	PUMP OIL 150 1*1 L	
2	106408241	2	HOSE PVC 1/4INCH	
3	107307356	1	HOSE CLIP D10/D12	
4	107120313	1	SOCKET FOR OILHOSE	
5	107140882	1	O-RING 15.0 X 3.0 SMS	
8	6100718	8	WASHER	
9	6100719	8	THRUST COLLAR	
10	6301368	8	STUDS	
11	1800465	8	NUT M10 REPLACES 1101240	
12	1802529	4	LOCK RING SW24	
13	6100666	4	RING F. RETURN SPRING	
14	6301166	4	CERAMIC PISTON C3	
15	102602517	4	RETURN SPRING R/P#2602274	
16	6100610	1	CYLINDER BLOCK	
17	101119850	4	KIT THRUSTRING +BACK UP	
18	107120701	1	CYLINDER HEAD C3	
19	6300071	1	CYLINDER BLOCK	
20	101118175	1	DRAIN PLUG W/MAGNET KIT NA6	
96	1119195	1	REP.KIT F. SUCT./PRES. VA	[1]
97	1119571	1	REP.KIT F. GASKETS (RED.)	[2]
98	1119820	1	REP.KIT OILGASKET 03/C3	
99	1119570	1	REP.KIT GASKETS, MPS	[2]

## Part Notes:

- [1] - TSB-PPW-2016-013 SC DUO 7P Valves in pump potential wrong  
DE TSB-PPW-2016-013 SC DUO 7P Pumpenventile möglicherweise falsch
- [2] - TSB-PPW-2016-011 Rep kit 1119571 and 1119570 potential have wrong O-ring in kit

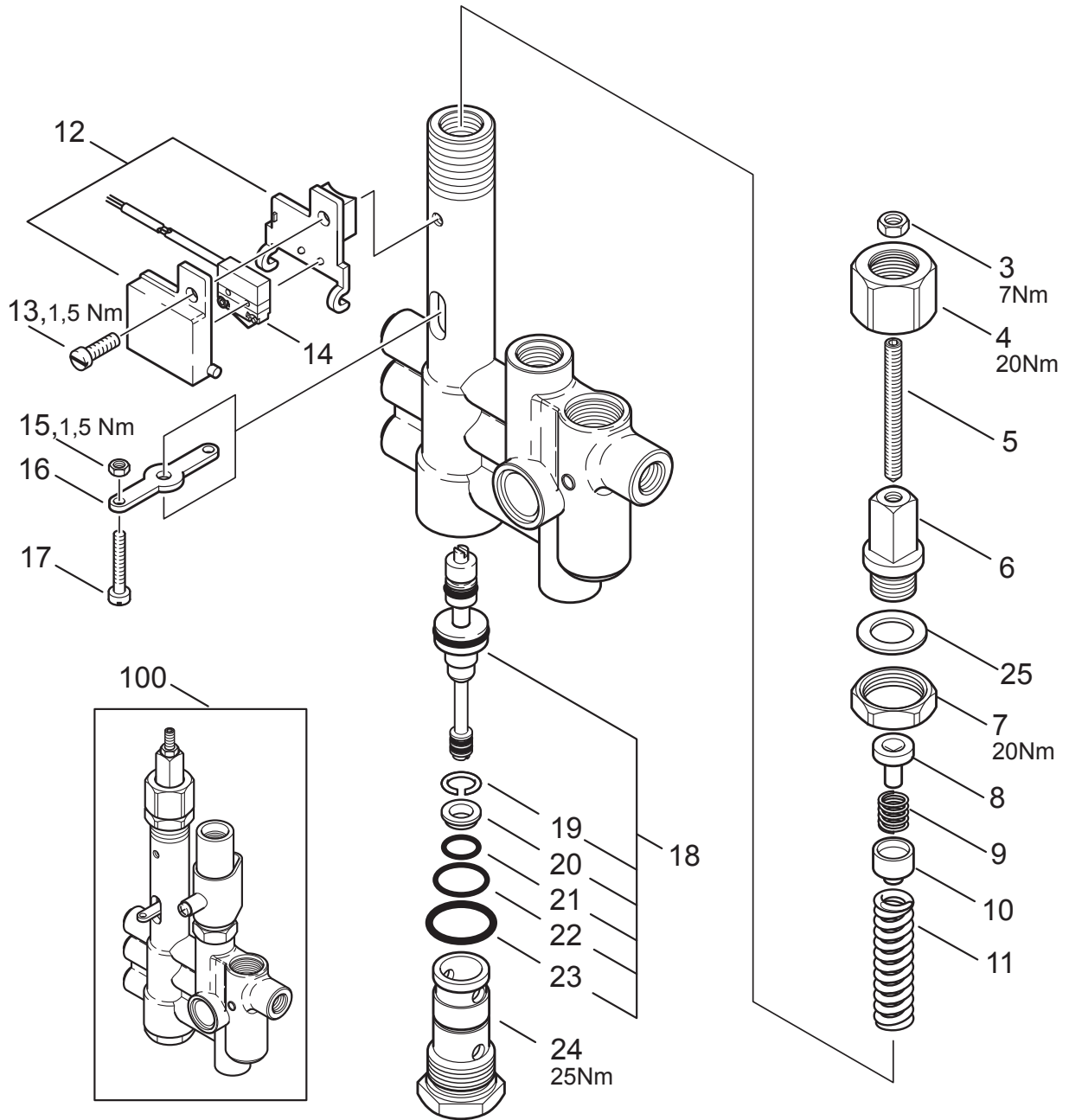


No.	Part No.	Qty.	Description	Part Note
1	63090	1	ACCUMULATOR NEPTUNE 5/7	
2	63136	1	Muffe M16x1,5 SW 19x24	
3	1618	1	SCREW ASSEMBLY GL10 R1/4	
4	301000911	1	SAFETY VALVE COMPLETE 250	
5	16443	1	O RING 17.0X2.0	
6	62706	1	O-RING 13.0x2.0 DIN	
7	16443	2	O RING 17.0X2.0	
8	1600444	1	ELBOW	
9	107318090	1	HP HOSE DN10 575 AGR-DKL	
10	13739	1	O-RING Ø 10X2	
11	24347	2	O RING 21.0x2.5	
12	63058	1	CONNECTION	
13	301001297	1	HOLLOW SCREW	
14	106268101	1	HOSE COUPLING W/UNION NUT AND GASKET	
15	8298	1	HOSE CLIP	
18	107307378	1	PIPE FOR C3 UNO/DUO. COMPLETE	[1]
19	6200484	1	SCREWED CONNECTION	
20	1803220	1	LOCK NUT	
21	1801075	1	PACKING RING	
22	1603101	1	QUICK COUPLING NIPPLE 03K	
23	56519	1	O-RING Ø6,5X3	
24	301000905	1	PISTON Ø14,6X25,5	
25	107141616	1	FITTING ANGLE COMPLETE	
26	107307342	1	FITTING 1/4INCH M12X1.5	
27	1810241	1	SEALING WASHER	
28	107307344	1	PRESSURE TRANSMITTER	
29	107307348	1	M12X1 CONNECTOR W/CABLE	
30	107307261	1	HOLLOW SCREW 3/8IN HEX24	
31	16998	1	O-RING	[2]
32	301001820	1	FITTING D22X92	[2]
33	301001800	1	CONTACT PISTON	[2]
34	6231	1	SPRING	[2]
35	10028	1	SCREW KA50X14 WN1411	[2]
36	62399	1	BRACKET REED SWITCH	[2]
37	107307298	1	FLOW SENSOR COMPLETE	[2]
38	62706	1	O-RING 13.0x2.0 DIN	[2]
39	107307379	1	FITTING FOR FLOW CONTROL	[2]

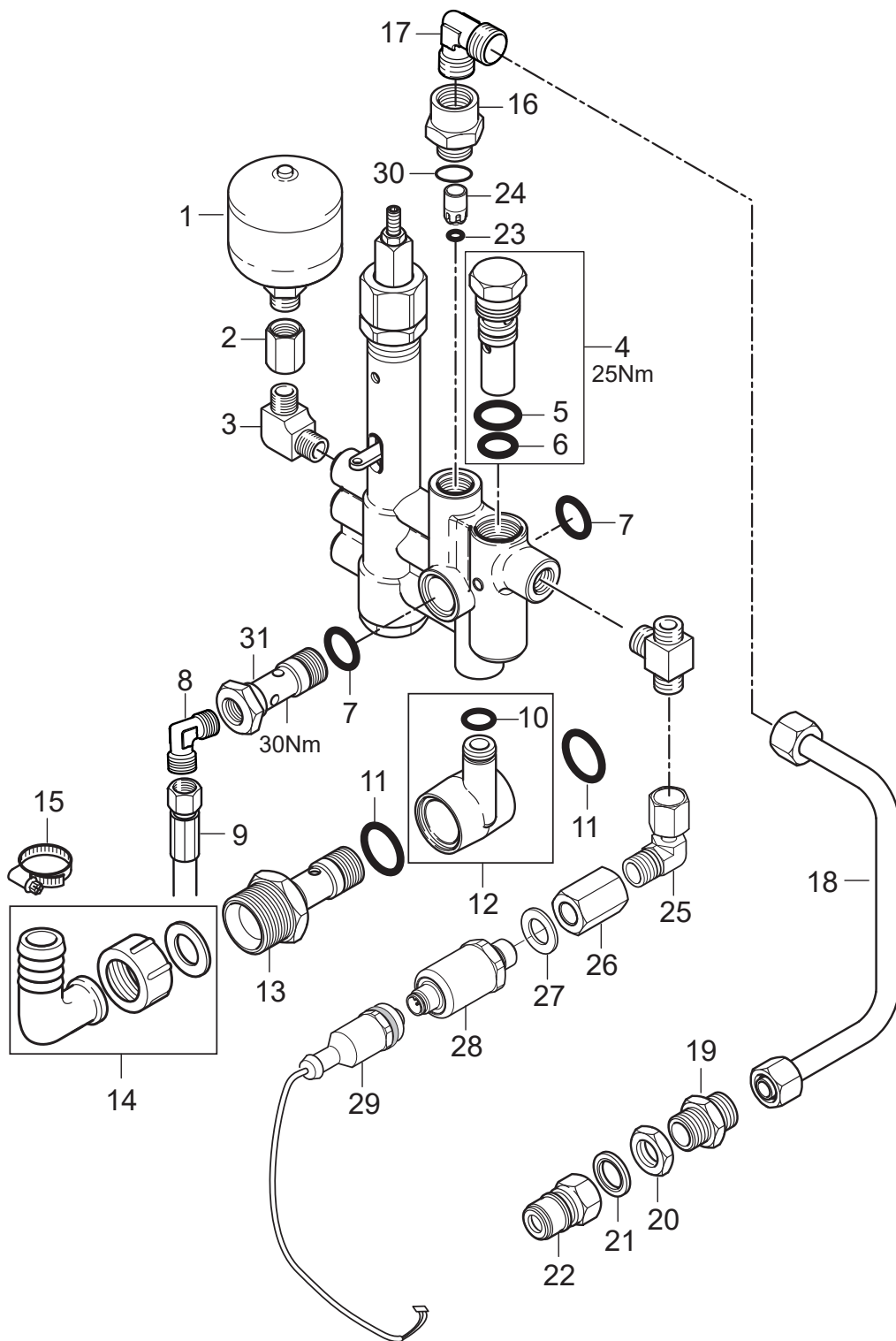
## Part Notes:

- [1] - TSB-PPW-2019-003 SC UNO\_DUO 7P Flow Switch implemented  
DE TSB-PPW-2019-003 SC UNO DUO 7P Strömungswächter eingeführt
- [2] - TSB-PPW-2019-003 SC UNO\_DUO 7P Flow Switch implemented





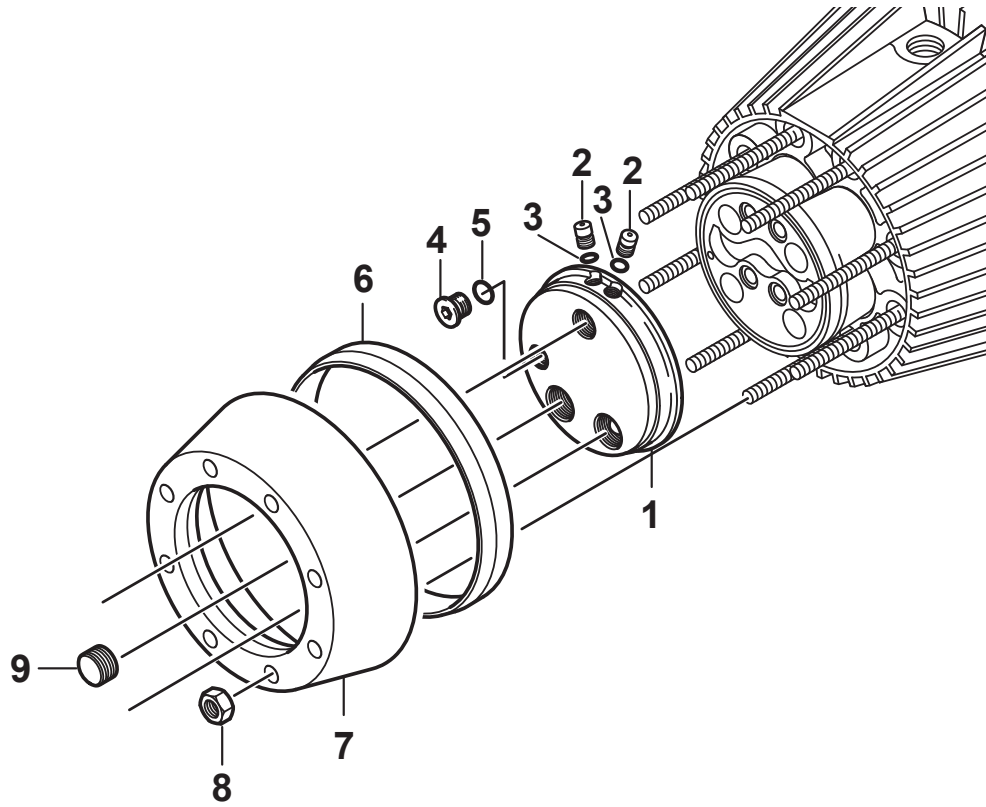
No.	Part No.	Qty.	Description	Part Note
3	3136	1	HEXAGON NUT M6	
4	62710	1	UNION NUT M24X1,5X21	
5	62711	1	SET SCREW M6X60	
6	62712	1	HOLLOW SCREW M16X1X9 4KT SW12X40 ZN	
7	62696	1	HEXAGON NUT M24X1.5X6	
8	62695	1	SPRING SUPPORT	
9	62713	1	SPRING	
10	62694	1	SPRING SUPPORT	
11	40972	1	SPRING 3.5X10.5X54	
12	62401	1	HOUSING FOR MICROSWITCH	
13	3349	1	SCREW M5X16	
14	107307332	1	PRESSURE SWITCH COMPLETE	
14A	107307333	1	CABLE FOR PRESSURE SWITCH	
15	2759	1	REFER TO PART NO: 7090780	
16	62717	1	CONTACT STUD	
17	101117739	1	SCREW HEX M4X22-8.8 A2K	
18	64314	1	REPAIR KIT PISTON BYPASS	
19	909100001	1	RING Ø14 B DIN 7993	
20	62708	1	SEAT	
21	49461	1	O-RING Ø 11X1,5	
22	9523	1	O-RING	
23	32091	1	O-RING	
24	64301	1	SCREW M24*1,5	
25	103004451	1	VULCAN FIBRE WASHER	
100	301000903	1	UNLOADER VALVE "NEPTUNE"	



No.	Part No.	Qty.	Description	Part Note
1	63090	1	ACCUMULATOR NEPTUNE 5/7	
2	63136	1	Muffe M16x1,5 SW 19x24	
3	1618	1	SCREW ASSEMBLY GL10 R1/4	
4	301000911	1	SAFETY VALVE COMPLETE 250	
5	16443	1	O RING 17.0X2.0	
6	62706	1	O-RING 13.0x2.0 DIN	
7	16443	2	O RING 17.0X2.0	
8	1600444	1	ELBOW	
9	107318090	1	HP HOSE DN10 575 AGR-DKL	
10	13739	1	O-RING Ø 10X2	
11	24347	2	O RING 21.0x2.5	
12	63058	1	CONNECTION	
13	301001297	1	HOLLOW SCREW	
14	106268101	1	HOSE COUPLING W/UNION NUT AND GASKET	
15	8298	1	HOSE CLIP	
16	107307345	1	FITTING D22X30.6 M16X1 G3/8	[1]
17	1600444	1	ELBOW	[1]
18	107307346	1	PIPE FOR C3 UNO. COMPLETE	[1]
19	6200484	1	SCREWED CONNECTION	
20	1803220	1	LOCK NUT	
21	1801075	1	PACKING RING	
22	1603101	1	QUICK COUPLING NIPPLE 03K	
23	56519	1	O-RING Ø6,5X3	
24	301000905	1	PISTON Ø14,6X25,5	
25	107141616	1	FITTING ANGLE COMPLETE	[2]
26	107307342	1	FITTING 1/4INCH M12X1.5	
27	1810241	1	SEALING WASHER	
28	107307344	1	PRESSURE TRANSMITTER	[2]
29	107307348	1	M12X1 CONNECTOR W/CABLE	
30	16998	1	O-RING	
31	107307261	1	HOLLOW SCREW 3/8IN HEX24	

## Part Notes:

- [1] - TSB-PPW-2019-003 SC UNO\_DUO 7P Flow Switch implemented  
 [2] - TSB-PPW-2017-013 SC DUO 7P Pressure Transmitter change  
 FR TSB-PPW-2017-013 SC DUO 7P Nouveau capteur de pression  
 DE TSB-PPW-2017-013 SC DUO 7P Änderung des Druckfühlers



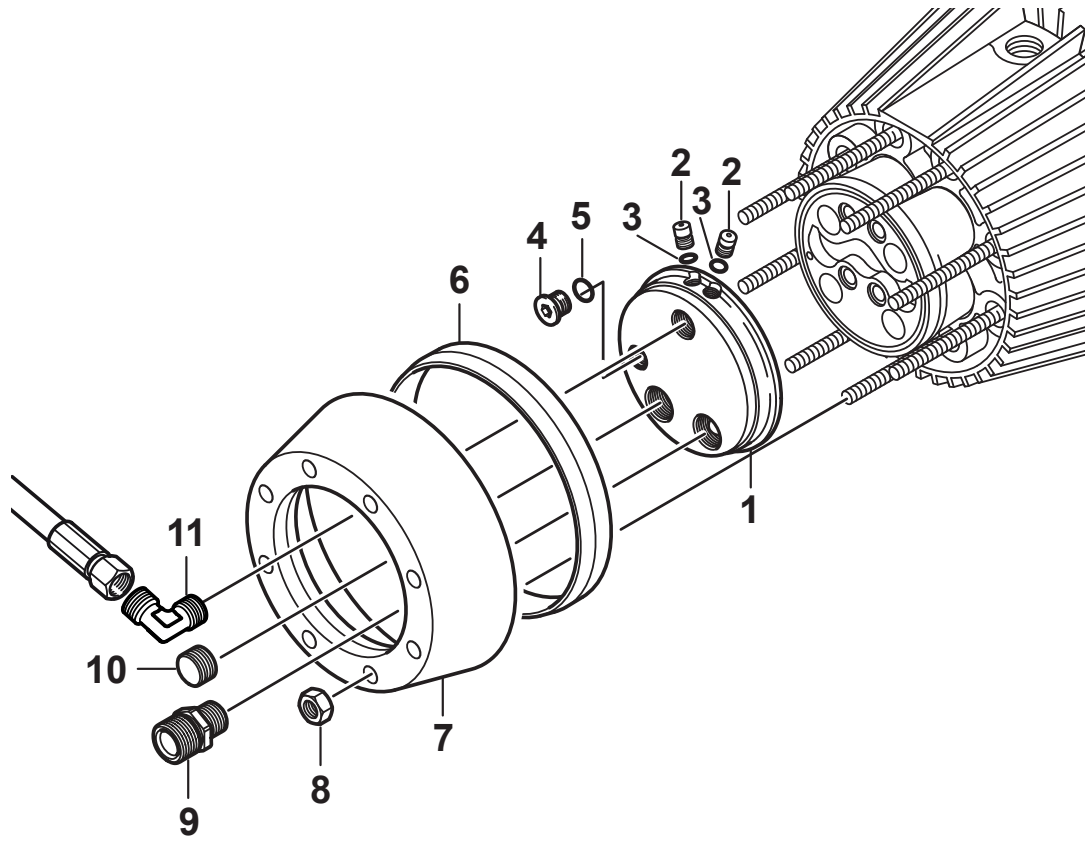
# UPPER Connection plate

SC DUO 7P-180/2400

2017.11.02

2015.10.01

No.	Part No.	Qty.	Description	Part Note
1	107121500	1	CONNECTION PLATE	
2	107121501	2	PLUG DIA 8X10.5	
3	3000270	2	O-RING	
4	6180660	1	PLUG G	
5	3001740	1	O-RING 7.66X1.78 NITRIL 7	
6	6301392	1	SPACER RING FOR MOTOR-PUM	
7	6100602	1	CLIP	
8	1800465	8	NUT M10 REPLACES 1101240	
9	1603325	1	PLUG 1/2 INCH	



# LOWER connection plate

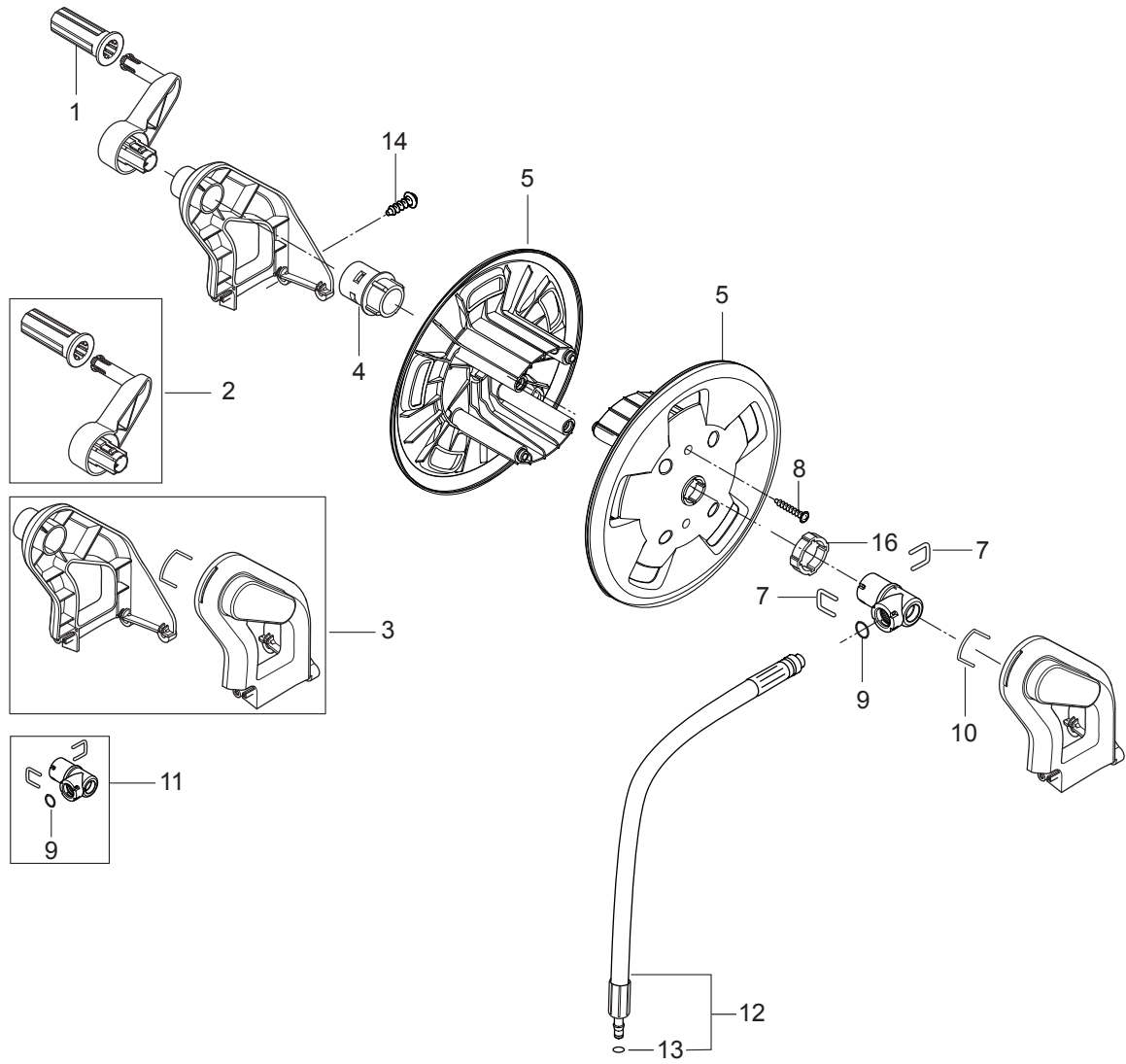
SC DUO 7P-180/2400

2017.11.02

2015.10.01

No.	Part No.	Qty.	Description	Part Note
1	107121500	1	CONNECTION PLATE	
2	107121501	2	PLUG DIA 8X10.5	
3	3000270	2	O-RING	
4	6180660	1	PLUG G	
5	3001740	1	O-RING 7.66X1.78 NITRIL 7	
6	6301392	1	SPACER RING FOR MOTOR-PUM	
7	6100602	1	CLIP	
8	1800465	8	NUT M10 REPLACES 1101240	
9	106162692	1	FILTER HOLDER	
10	1603325	1	PLUG 1/2 INCH	
11	1600444	1	ELBOW	





No.	Part No.	Qty.	Description	Part Note
1	128500750	1	HANDLE GRIP	
2	128500751	1	HANDLE FOR HOSE REEL PRO	
3	128500164	1	HOSE REEL SUPPORT SP	
4	128500869	1	AXLE FOR HOSE REEL	
5	6528570	2	HOSE REEL	
7	6526487	2	LOCK BRACKET SS	
8	128500595	2	SCREW K50X35 WN1452	
9	3002144	1	O-RING 14.3X2.4 NITRIL	
10	127440229	1	LOCK BRACKET	
11	127440011	1	ADAPTOR SYSTEM ALTO	
12	128500166	1	CONNECTION HOSE SP	
13	3004108	1	O-RING 5.28X1.78 NITRIL	
14	107141838	2	SCREW K50X18 WN1451	
16	128500167	1	WASHER FOR HOSE REEL SP	

