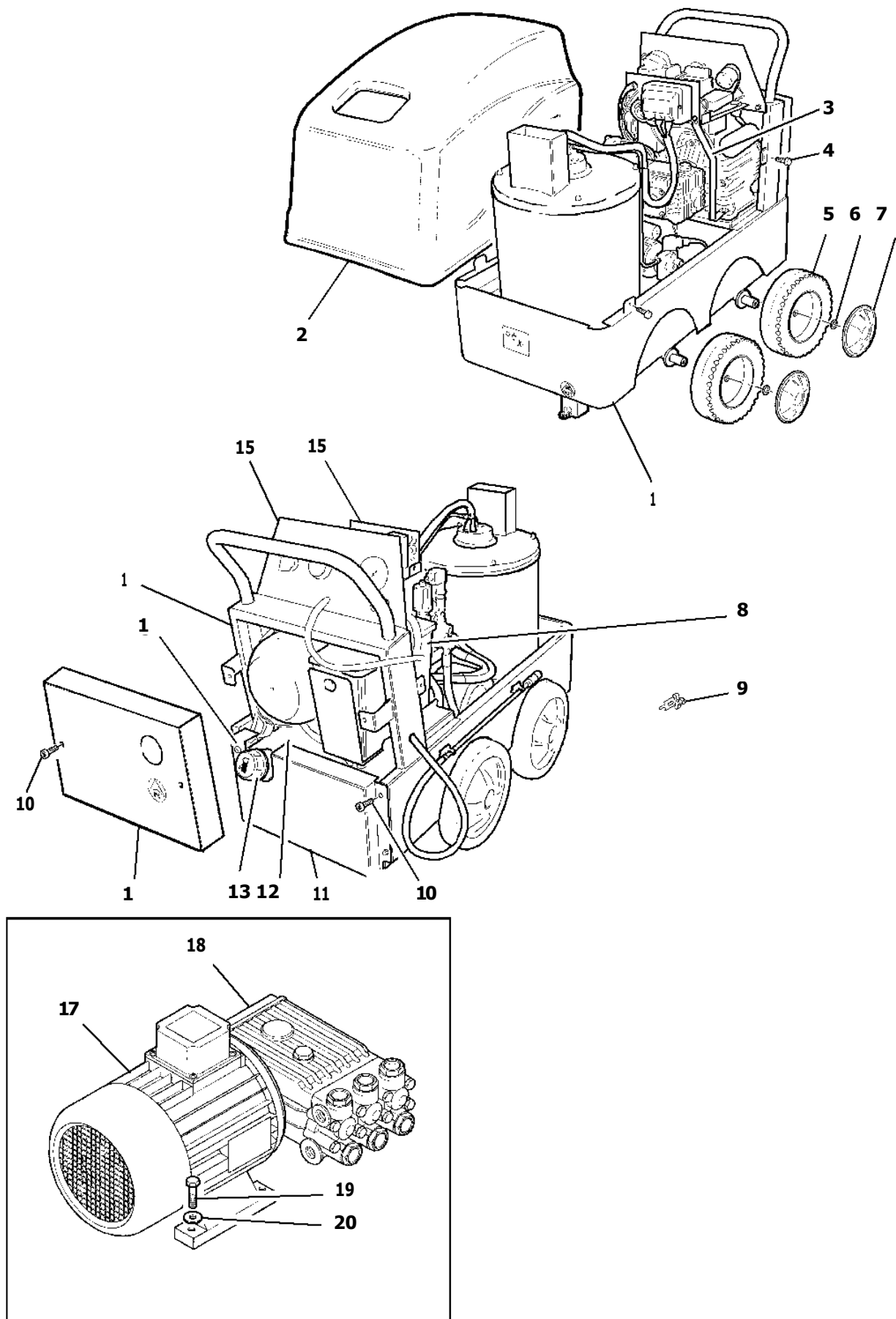




R h i n o
S P A R E P A R T S C A T A L O G U E

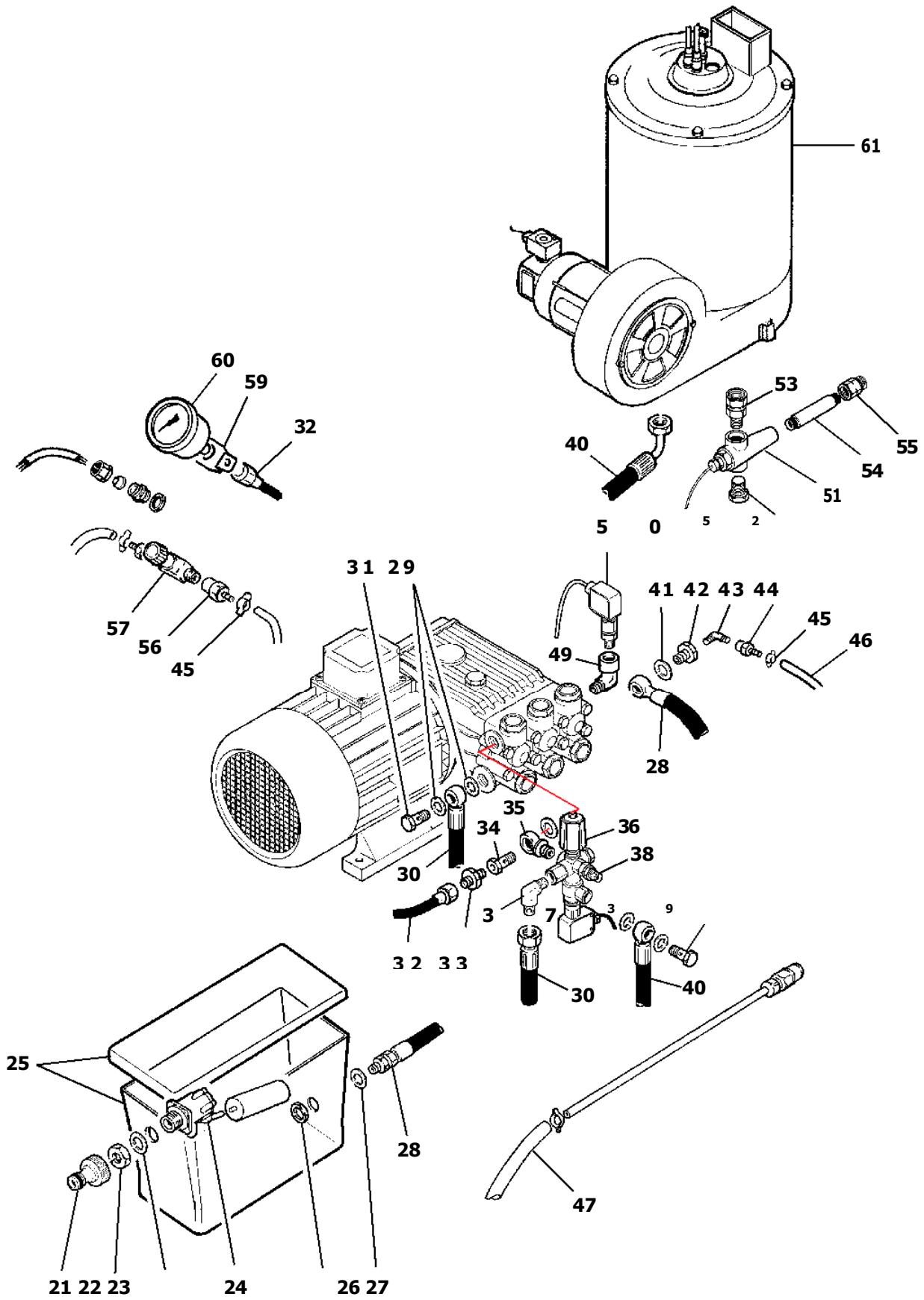
TAV. 1



Pos.	Cod.	Q.ty	Description TAV. 1	
1	10.000.057	1	Frame Chassis Chasis Telaio	
2	10.000.087 10.000.287 10.000.187	1	Cover Capot Capota Cofano	Red/Rouge/Rojo/Rosso Blue/Azur/Azul/Azzurro Silver/gris/Gris/Grigio
3	N.D.R.	1	Support Support Soporte Staffa supporto	
4	20.000.042	4	Screw Vis Tornillo Nottolino	
5	10.000.109	4	Wheel Roué Rueda Ruota	d. 250
6	10.000.027	4	Washer Rondelle Arandela Rondella fermaruota	
7	10.000.209	4	Wheel cap Couvercle roué Tapa rueda Copriruota	
8	10.000.043	1	Water tank Reservoir eau Deposito agua Vaschetta acqua	
9	10.000.010	2	Clip Pince Soporte Molletta supp. Astina detergente	
10	20.000.047	4	Screw Vis Tornillo Vite	
11	N.D.R.	1	Closing panel Panneau Panel Pannello chiusura	
12	10.000.009	1	Gas oil tank Reservoir gas oil Deposito gasoleo Serbatoio gasolio	
13	10.000.012	1	Plug Bouchon Tapon Tappo	
14	N.D.R.	1	Painted rear panel Panneau Panel Frontalino verniciato	

Pos.	Cod.	Q.ty	Description TAV. 1	
15	N.D.R.	1	Controls panel Tableau de commandes Tablero de mandos Pannelo comandi	
16	70.000.116	1	Warning Light Lampe Varilla Lampada spia	
17	60.000.000 60.000.0 10 60.000.005	1	Motor Moteur Motor Motore	2,2 KW 230V 50 HZ 3 KW 230-400V 50 HZ 4 KW 230-400V 50 HZ
18	30.000.026 30.000.052 30.000.020 30.000.023	1	Pump Pompe Bomba Pompa	W98 SX EL 1411 SX W 140 SX W 154 SX
19	20.000.046	4	Screw Vis Tornillo Vite	
20	20.000.027	4	Washer Rondelle Arandela Rondella	

TAV. 2

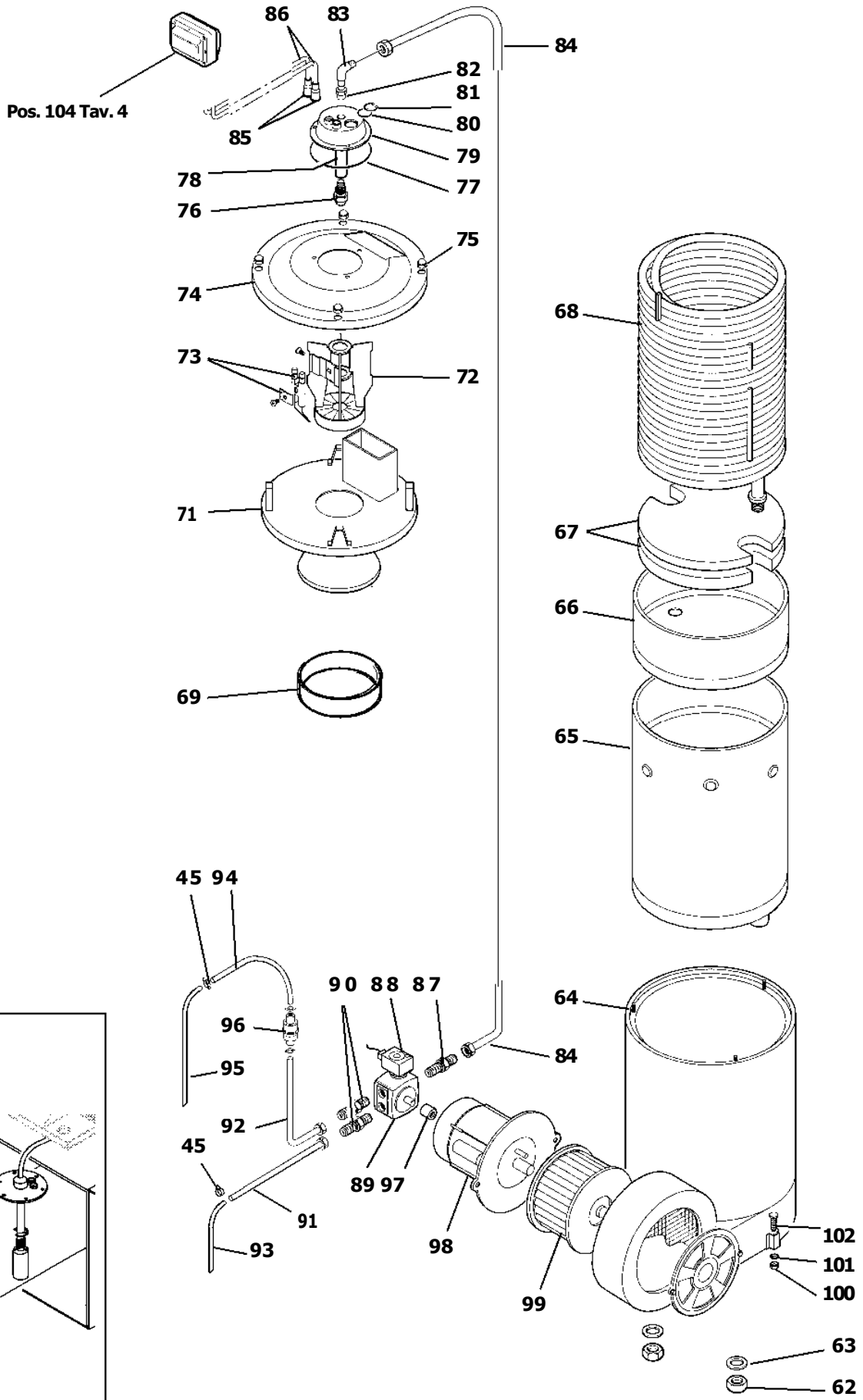


Pos.	Cod.	Q.ty	Description TAV. 2	
21	20.000.000	1	Hose fitting Raccord porte tuyau Empalme de tubo Attacco acqua	
22	N.D.R.	1	Reduction coupling 3/8 Raccord Racor Controdado 3/8	
23	N.D.R.	1	Joint Joint Joint Gommino	
24	40.000.111	1	Brass float level Flotteur laiton Flotador Galleggiante ottone	
25	10.000.043	1	Water tank Reservoir eau Deposito agua Vaschetta acqua	
26	20.000.222 20.000.022	1	Reduction Raccord Racor Controdado	1/2 3/8
27	20.000.006	1	Washer Rondelle Arandela Rondella	3/8
28	90.000.059	1	Water Hose Tuyau eau Manguera de agua Tubo aspirazione acqua	
29	20.000.003	2	Washer Rondelle Arandola Rondella	1/2
30	90.000.059 90.000.042	1	By pass hose Tuyau by pass Manguera de by pass Tubp by pass	1 1LT 14LT
31	20.000.005	1	Bolt with hole Boulon Tornillo horado Bullone forato	1/2
32	90.000.012	1	Pressure gauge hose Tuyau manometre Tubo manometro Tubo manometro	L=360
33	20.000.014	1	Nipple Nipple Nipplo Nipplo	1/4
34	20.000.049	1	Bolt with hole Boulon Tornillo horado Bullone cavo	3/8 – 1/4

Pos.	Cod.	Q.ty	Description TAV. 2	
35	20.000.063	1	Eye Oeil Ojo Occhio	3/8
36	40.000.015	1	By pass valve Soupape de by pass Valvula de by pass Valvola by pass	BP9
37	20.000.011	1	Elbow coupling Raccord a coude Empalme de codo Raccordo a gomito	3/8 MM
38	40.000.031	2	Safety Valve Soupape de surete Valvula de seguridad Valvola di sicurezza	Mignon
39	20.000.007	1	Bolt with hole Boulon Tornillo horado Bullone forato	3/8
40	90.000.054	1	Delivery hose Tuyau de envoi Manguera de envio Tubo mandata	
41	20.000.003	1	Washer Rondelle Arandela Rondella	1/2
42	20.000.052	1	Bolt with hole Boulon Tornillo horado Bullone forato	1/2- 1/4
43	20.000.034	1	Elbow coupling Raccord àcoude Empalme de codo Raccordo a gomito	1/4 MM
44-45 46	90.000.070	1	Detergent suction hose Tuyau d'aspiration detergent Mangura de aspiracion Tubo aspirazione detergente	
47	90.000.068	1	Detergent suction hose + filtre Tuyau aspiration detergent +filtre Manguera aspiracion + filtro Tubo aspirazione detergente + filtro	
49	20.000.0 139	1	Elbow coupling Raccord àcoude Empalme de codo Raccordo a gomito	3/8 M X 1/4 F
50	70.000.035	1	Pressure switch Pressostat Presostato Pressostato	MIGNON 1/4 40 BAR
51	40.000.011	1	Probe fitting Racord porte sonde Racor porta sonda Pozzetto porta sonda	

Pos.	Cod.	Q.ty	Description TAV. 2	
52	20.000.502	1	Plug Bouchon Tapon Tappo	3/8 brass / lainton / ottone
53	20.000.012	1	Swing nipple Nipple tournant Niplo giratorio Nipplo girevole	3/8 MF
54	20.000.015	1	Hose Tuayu Manguera Tubo	3/8 L= 100
55	90.212.120 90.263.131	1	Quick coupling Emmanchement rapide Empalme rapido Attacco rapido	1/2Fem. M22X14
57	40.000.035	1	Detergent tap Robinet detergent Grifo de detergente Rubinetto detergente	
59	40.000.046	1	Pressure gauge support Support manomètre Soporte manometro Staffa manometro	D.63
60	40.000.019	1	Pressure gauge Manomètre Manometro Manometro	D. 63
61	50.000.101	1	Complete boiler Chaudiere complete Caldera Caldaia completa	

TAV. 3

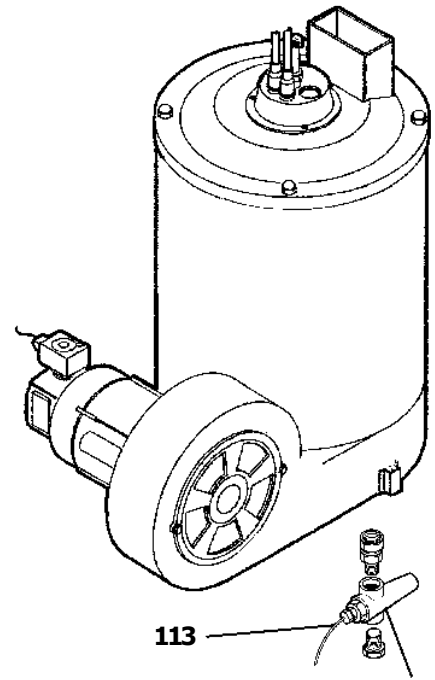
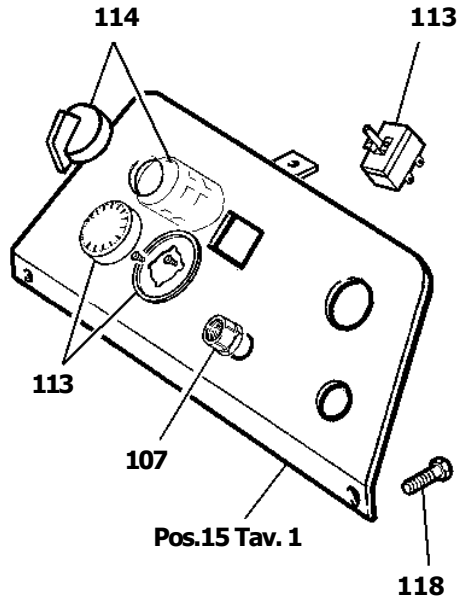


Pos.	Cod.	Q.ty	Description TAV. 3	
45	90.000.011	1	Clip Serre cable Faja serra cabe Molletta stringitubo	
62	20.000.022	1	Nut 3/8 Ecrou Turca	
63	20.000.021	2	Controdado Washer Rondelle Arandola Rondella	
64	50.000.034	1	Boiler body Corp chaudière Cuerpo caldera Corpo caldaia	
65	50.000.037	1	Boiler liner Chemise de la chaudière Camisa caldera Camicia interna	
66	50.000.004	1	Boiler bottom Fond Hondo Fondello	
67	50.000.005	1	Refractory disk Disque refractaire Disco refractario Fondo refrattario	
68	50.000.040	1	Coil Serpentin Serpentino Serpentina	
69	50.000.007	1	Ring Anneau Anillo Anello	
71	50.000.032	1	Lower head Tete inferieure Cabeza inferior Testata inferiore	
72	50.000.010	1	Deflector Deflecteur Deflector Deflettore	
73	50.000.011	1	Electrode Electrode Eléctrodo Elettrodo	
74	50.000.012	1	Upper head Tete superieure Cabeza superior Testate superiore	
75	20.000.025	4	Nut Ecrou Turca Dado	M6

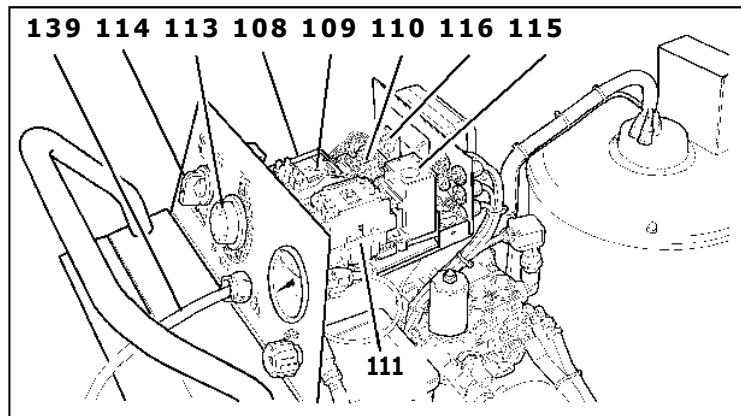
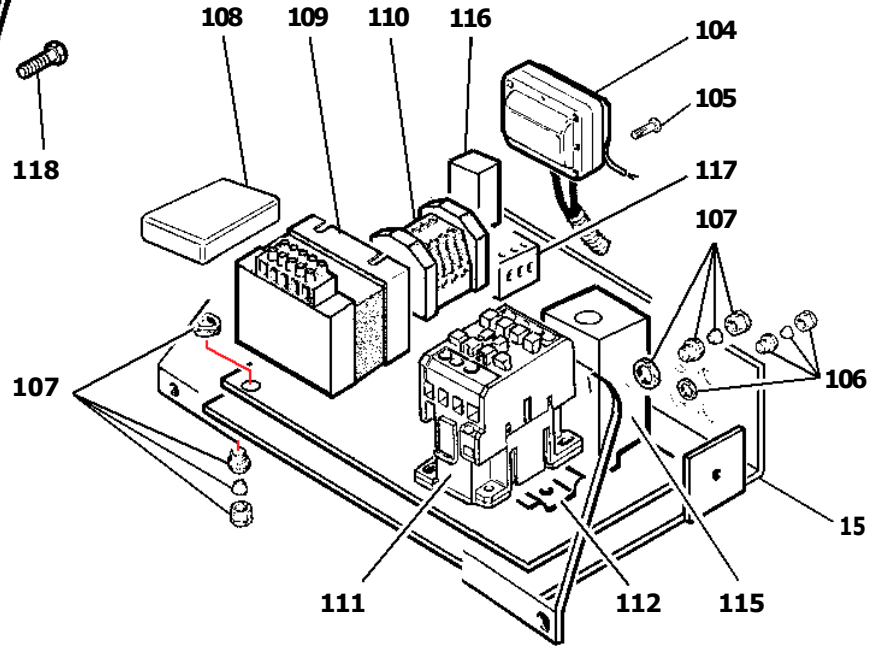
Pos.	Cod.	Q.ty	Description TAV. 3	
76	50.000.013	1	Gas oil nozzle Gicleur gasoil Boquilla de gas oil Ugello gasolio	always specify bar/lits
77	50.000.015	1	Gasket Joint Guarnicion Guarnizione	
78	50.000.014	1	Gas oil nozzle holder Porte gicleur Porta boquilla Porta ugello	
79	50.000.016	1	Cover Couvercle Tapa Coperchio alluminio	
80	50.000.017	1	Flame window Verre de controle Mirilla Vetrino controllo fiamma	
81	50.000.018	1	Seeger Seeger Seeger Seeger	
82	20.000.024	1	Coupling Raccord Racor Prolunga	
83	20.000.019	1	Elbow coupling Raccord àcoude Empalme de codo Raccordo a gomito	
84	90.000.080	1	Complete gas oil copper pipe Tuyau gas oil en cuivre compl. Tubo del gas oil de cobre compl. Tubo gasolio rame completo	
85	50.000.025	1	Protection Protection Proteccion Gommino protezione	
86	70.000.018	2	H.T. ignition wire cable A.T. Cable A.T. Cavo elettrico A.T.	
87	20.000.020	2	Coupling Raccord Racor Raccordo	
88	50.000.024	1	Gas oil electrovalve Soupape electrique gas oil Electrovalvula gas oil Elettrovalvola gasolio	24 V
89	50.000.023	1	Gas oil pump Pompe gas oil Bomba gas oil Pompa gasolio	

Pos.	Cod.	Q.ty	Description TAV. 3	
90	90.000.014	2	Nipple Nipple Niplo Nipplo	1/4
45- 94-95	90.000.076	1	Gas oil complete suction pipe Tuayu aspiration gas oil Manguera aspiracion gas oil Tubo aspirazione gasolio	
45- 93-91	90.000.077	1	Gas oil complete drain pipe Tuayu de drainage gas oil compl. Tubo de desague del gas oil compl. Tubo scarico gasolio completo	
96	50.000.019	1	Gas oil filter Filtre gas oil Filtro gas oil Filtro gasolio	
97	50.000.022	1	Motor/pump coupling Joint pompe moteur Acoplamiento bomba/motor	
98	50.000.221	1	Burner motor Moteur bruleur Quemador Motore bruciatore	230V
99	50.000.035	1	Fan Ventilateur Ventilador Ventilatore	
100	20.000.097	3	Nut Ecrou Turca Dado	M10
101	20.000.044	3	Washer Rondelle Arandola Rondella	
102	20.000.099	3	Screw Vis Tornillo Vite	
138	70.000.022	1	Gas oil float level Flotteur gas oil Flotador gas oil Galleggiante gasolio	

TAV. 4



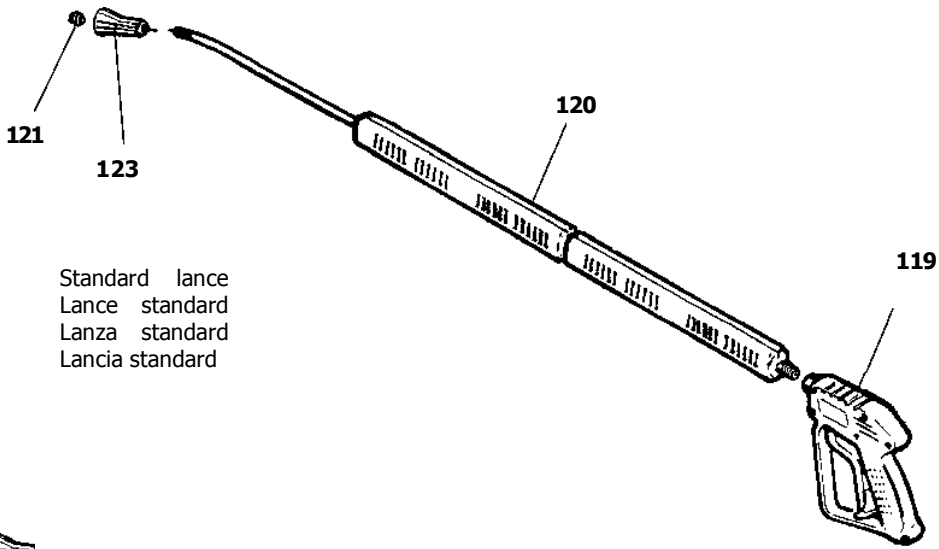
Pos. 51 Tav. 2



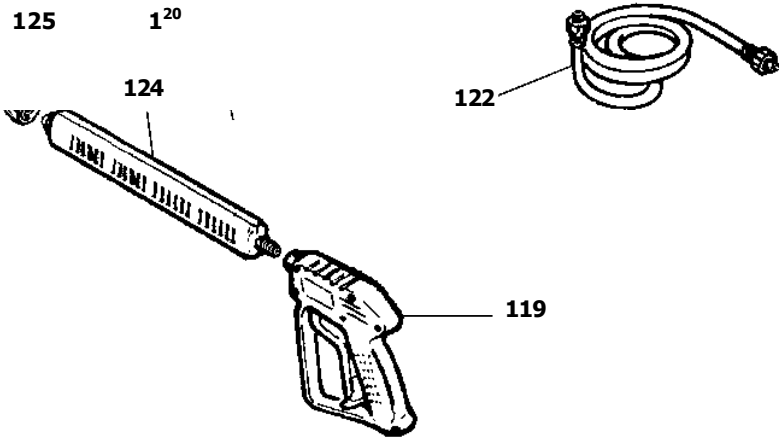
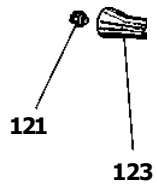
Pos.	Cod.	Q.ty	Description TAV. 4	
104	70.000.019	1	H.T. transformer Tranformateur H.T. Transformador A.T. Trasformatore A.T.	
105	20.000.148	1	Screw Vis Tornillo Vote	
106	70.000.003	5	PG 7 cable gland Passa cable PG 7 Pasa cable PG 7 Passacavo PG 7	
107	70.000.001	1	PG 16 cable gland Passa cable PG 16 Pasa cable PG 16 Passacavo PG 16	
108	70.000.011	1	Electronic card Fiche électrique Ficha electrónica Scheda elettronica	
109	70.000.010	1	Transformer Transformateur Transformador Trasformatore	24V
110	70.000.024	1	Terminal box Serre cables Porta fusibles Morsettiera compelta	
111	70.000.009	1	Contacteur Contacteur Contactor Contattore	KNL 12-10
112	70.000.007	1	Bar Barre Barra Barra	Ù
113	70.000.014	1	Thermostat Thermostat Termostato Termostato	
114	70.000.044	1	General switch Interrupteur general Interruptor general Interruttore generale	
115	70.000.042	1	Thermic switch	12-17 A
	70.000.043		Interrupteur thermique Interruptor térmico Relè termico	6,3-1 2A
116	70.000.054	1	Relay Relè Relè Rele'	24V
117	70.000.055	1	Base for relay Relè base Base relè Zoccolo relè	

Pos.	Cod.	Q.ty	Description TAV. 4	
118	20.000.047	2	Screw Vis Tornillo	
139	70.000.020	1	Vite	3x2,5 (mt 5)
	70.000.021		Cable	4x2,5 (mt 5)
			Cable	
			Cable	
			cavo	

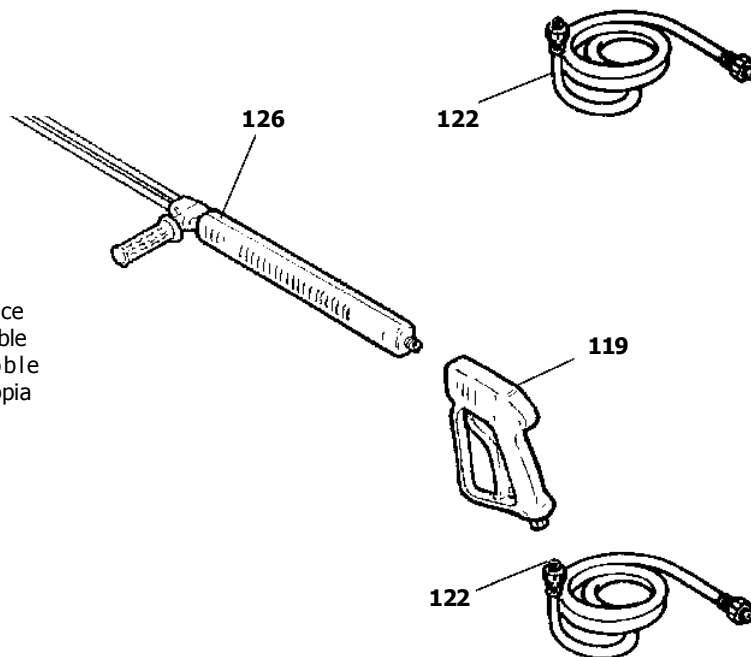
TAV. 5



Standard lance
Lance standard
Lanza standard
Lancia standard



Two separated parts lance
Lance en deux parties
Lanza en dos piezas
Lancia in due pezzi



Double lance
Lance double
Lanza doble
Lancia doppia

Pos.	Cod.	Q.ty	Description TAV. 5	
119	80.000.001	1	Professional gun Pistolet profess. Pistola profesionla Pistola professionale	
120	80.000.002	1	Cm 120 lance Lance cm 120 Lanza cm 120 Lancia cm 120	
120	80.000.006	1	Cm 70 lance Lance cm 70 Lanza cm 70 Lancia cm 70	
120	80.000.005	1	Cm 90 lance Lance cm 90 Lanza cm 90 Lancia cm 90	
120	80.000.007	1	Cm 150 lance Lance cm 150 Lanza cm 150 Lancia cm 150	
120	80.000.008	1	Cm 170 lance Lance cm 170 Lanza cm 170 Lancia cm 170	
120	80.000.010	1	Cm 120 two separate parts lance (compl.) Lance en deux parties cm 120 (compl.) Lanza en dos piezas cm 120 (completa) Lancia in 2 pezzi cm 120 (completa)	
121	80.000.000	1	Water nozzle Buse eau Boquilla de agua Ugello acqua	always sopecify bar/lt spècifier bar/lt especificar bar/lt specificare bar/lt
122	90.000.019	1	H.P. Hose Tuyau H.P. Manguera de A.P. Tubo A.P.	
123	80.000.003	1	Protection Protection Proteccion Protezione	
124	80.000.029	1	Insulating handle Manche isolant Mango isolante Manico isolante	
125	80.000.104	1	120 cm lance end Terminal de la lance cm 120 Terminal de lanza cm 120 Terminale lancia cm 120	
126	80.000.009	1	110 cm double lance Lance double cm 110 Lanza doble cm 110 Lancia doppia cm 110	