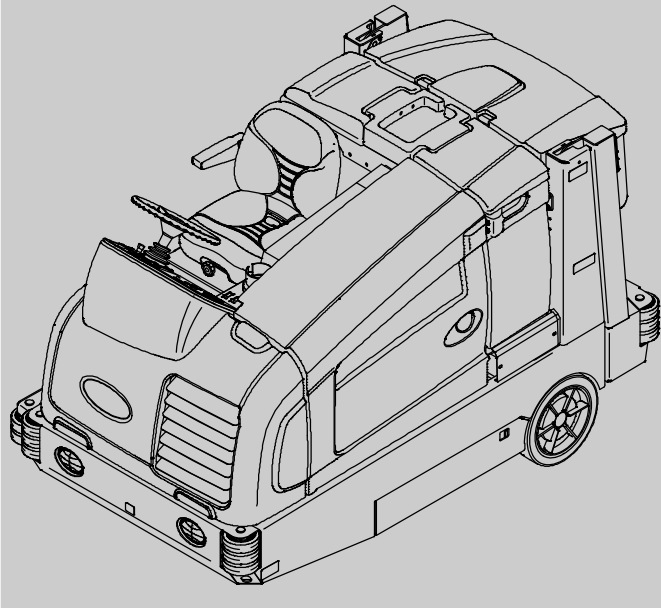
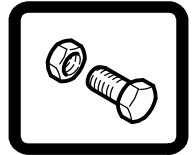




# M20

(Gas/LPG)

(S/N 008000- )  
Scrubber-Sweeper  
Parts Manual



**The Safe Scrubbing Alternative®**

**ES® Extended Scrub System**

**TennantTrue® Parts**

**Hygenic® Fully Cleanable Tanks**

**FloorSmart® Integrated Cleaning System**

**IRIS® a Tennant Technology**

**Pro-Panel™**

**Insta-Fit™ Adapter**



An ORBIO™ Technology

## North America / International

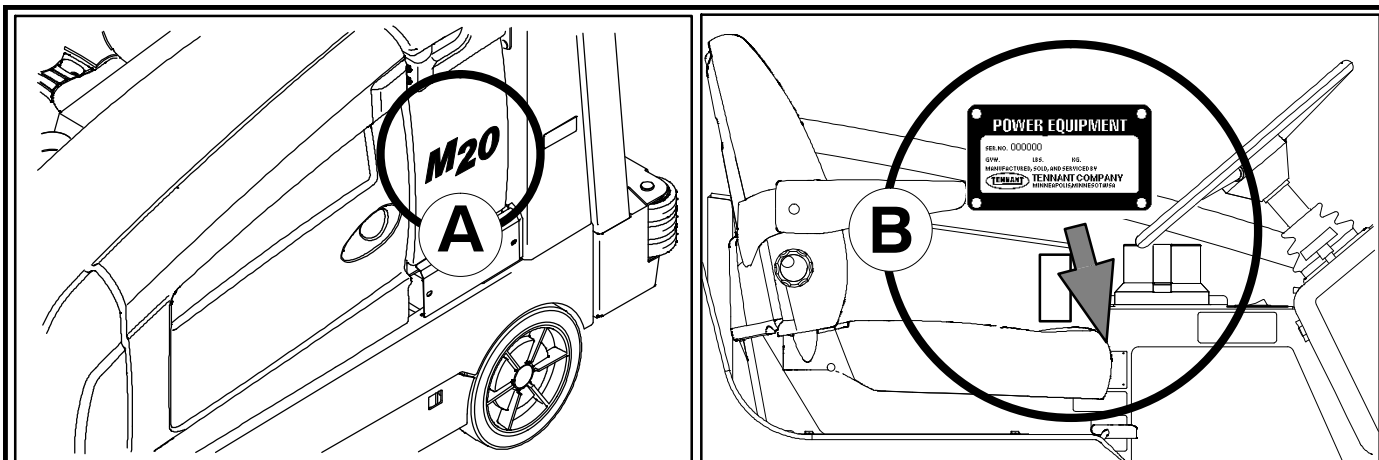


For the latest Parts manuals and other language Operator manuals, visit:

[www.tennantco.com/manuals](http://www.tennantco.com/manuals)

9016001  
Rev. 06 (11-2020)





Ref	Part No.	Serial Number	Description	Qty.
1	82681	(000000— )	Bracket Wldt, Lpg Mount	1
2	63810	(000000— )	Latch Assy, Lpg Tank Mtg, W/Nut	4
3	51839	(000000— )	Nut Adjustable, Lpg Tank Mtg	2
4	49263	(000000— )	Tie, Cable	3
5	82556	(000000—001039)	Bracket, Vaporizer	1
6	54930	(000000— )	Vaporizer, LPG	1

**HOW TO ORDER PARTS – See diagram above**

Only use TENNANT Company supplied or equivalent parts. Parts and supplies may be ordered online, by phone, by fax or by mail.

Follow the steps below to ensure prompt delivery.

1. **(A)** Identify the machine model.
2. **(B)** Identify the machine serial number from the data plate.
3. **(C)** Ensure the proper serial number is used from the parts list.
4. Identify the part number and quantity. Do not order by page or reference numbers.
5. Provide your name, company name, customer ID number, billing and shipping address, phone number and purchase order number.
6. Provide detail shipping instructions.

**(D)** ▽ – Identifies an assembly  
 ▲ – Identifies parts included in assembly

**EN**

**Please fill out at time of installation for future reference.**

Model No. – \_\_\_\_\_

Serial No. – \_\_\_\_\_

Machine Options – \_\_\_\_\_

Sales Rep. – \_\_\_\_\_

Sales Rep. phone no. – \_\_\_\_\_

Customer ID Number – \_\_\_\_\_

Installation Date – \_\_\_\_\_

**Tennant Company**  
 10400 Clean Street  
 Eden Prairie, MN 55344-2650  
 Phone: (800) 553-8033 or (763) 513-2850  
 www.tennantco.com

Thermo-Sentry, Touch-N-Go, 1-STEP, Clean-Wedge, Variable Drain Valve, EasyOpen, Grip-N-Go, MaxPro2, Dura-Track, SmartRelease, InstantAccess, Duramer, FaST-PAK, ErgoSpace and Lower Total Cost of Ownership are trademarks of Tennant Company.

Specifications and parts are subject to change without notice.

Original Information, copyright © 2016, 2017, 2018, 2019, 2020 TENNANT Company, Printed in U.S.A.

<b>CN</b>	<p><b>如何订购部件 - 参见下表</b></p> <p>仅使用 TENNANT 公司提供的或同等部件。部件和供应可以在线订购，通过电话、传真或邮件订购。请遵循下面的步骤确保及时交付。</p> <ol style="list-style-type: none"> <li>1. <b>(A)</b> 确定机器型号。</li> <li>2. <b>(B)</b> 从数据标签确定机器序列号。</li> <li>3. <b>(C)</b> 确保使用部件列表中的正确序列号。</li> <li>4. 确定部件号和数量。 不要按页面或参考编号订购。</li> <li>5. 提供您的姓名、公司名称、客户 ID 号、付帐和送货地址、电话号码和采购单编号。</li> <li>6. 提供详细的送货说明。</li> </ol> <hr/> <p><b>(D)</b> ▽ - 确定组件 ▲ - 确定组件中包含的组件</p>	<p><b>请在安装时填写供未来参考。</b></p> <p>型号 - _____</p> <p>序列号 - _____</p> <p>机器选项 - _____</p> <p>销售代表 - _____</p> <p>销售代表电话号码 - _____</p> <p>客户 ID 编号 - _____</p> <p>安装日期 - _____</p>
-----------	--	--

<b>ES</b>	<p><b>CÓMO SOLICITAR PIEZAS - Consulte el diagrama anterior.</b></p> <p>Utilice sólo las piezas suministradas por TENNANT Company o piezas equivalentes. Puede solicitar las piezas a través de internet, por teléfono, por fax o por correo.</p> <p>Siga los siguientes pasos para que la entrega sea rápida.</p> <ol style="list-style-type: none"> <li>1. <b>(A)</b> Indique el modelo de máquina.</li> <li>2. <b>(B)</b> Indique el número de serie de la etiqueta de datos.</li> <li>3. <b>(C)</b> Asegúrese de que indica el número de serie correcto de la lista de piezas.</li> <li>4. Indique la cantidad y el número de la pieza. No realice el pedido indicando el número de página o el de referencia.</li> <li>5. Incluya su nombre, el nombre de la empresa, el ID de cliente, las direcciones de envío y facturación, el número de teléfono y el número del pedido de compra.</li> <li>6. Facilite instrucciones de envío.</li> </ol> <hr/> <p><b>(D)</b> ▽ - identifica un conjunto ▲ - identifica piezas de un conjunto</p>	<p><b>Rellene estos datos cuando realice la instalación para utilizarlos como referencia en el futuro.</b></p> <p>Nº modelo - _____</p> <p>Nº serie - _____</p> <p>Opciones de la máquina - _____</p> <p>Vendedor - _____</p> <p>Nº teléfono vendedor - _____</p> <p>Nº cliente - _____</p> <p>Fecha de instalación - _____</p>
-----------	--	---

<b>FR</b>	<p><b>COMMENT COMMANDER DES PIÈCES DÉTACHÉES - Voir le schéma ci-dessus.</b></p> <p>Utilisez uniquement des pièces fournies par la société TENNANT ou équivalentes. Les pièces et fournitures peuvent être commandées en ligne, par téléphone, fax, ou par courrier.</p> <p>Suivez les étapes ci-dessous pour assurer une livraison rapide.</p> <ol style="list-style-type: none"> <li>1. <b>(A)</b> Identifiez le modèle de la machine.</li> <li>2. <b>(B)</b> Identifiez le numéro de série de la machine, à partir de l'étiquette signalétique.</li> <li>3. <b>(C)</b> Assurez-vous que le numéro de série correct est utilisé à partir de la liste de pièces détachées.</li> <li>4. Identifiez le numéro de pièce et la quantité. Ne commandez pas par page ou numéros de référence.</li> <li>5. Fournissez votre nom, le nom de votre société, votre numéro d'identification de client, l'adresse de facturation et d'expédition, le numéro de téléphone et le numéro du bon de commande.</li> <li>6. Fournissez des instructions d'expédition détaillées.</li> </ol> <hr/> <p><b>(D)</b> ▽ - identifie un assemblage ▲ - identifie les pièces composant l'assemblage</p>	<p><b>A remplir au moment de l'installation à titre de référence.</b></p> <p>Nº du modèle - _____</p> <p>Nº de série - _____</p> <p>Options de la machine - _____</p> <p>Agent commercial - _____</p> <p>Nº tél. de l'agent commercial - _____</p> <p>Numéro d'identification client - _____</p> <p>Date d'installation - _____</p>
-----------	--	---

<b>JP</b>	<p><b>パーツの発注方法 ? 上記の図を参照してください</b></p> <p>TENNANT社製のパーツまたは同等品のみをお使いください。パーツやサプライ品のご注文は、オンライン、電話、FAX、または手紙でお願いいたします。確実にお届けできるように、以下の情報お知らせください。</p> <ol style="list-style-type: none"> <li>1. <b>(A)</b> 製品のモデル名をお知らせください。</li> <li>2. <b>(B)</b> 製品のデータラベルに印刷されているシリアル番号をお知らせください。</li> <li>3. <b>(C)</b> パーツリストを参照して、シリアル番号が正しいかご確認ください。</li> <li>4. パーツ番号と数量をお知らせください。マニュアル/カタログのページ番号や参照番号でのご注文はご遠慮ください。</li> <li>5. お客様のお名前、会社名、顧客ID番号、請求/発送先住所、電話番号、注文書番号をお知らせください。</li> <li>6. 発送に関するご希望があれば、明記してください。</li> </ol> <hr/> <p><b>(D)</b> ▽ - アセンブリを示します ▲ - アセンブリに含まれるパーツを示します</p>	<p><b>後日確認できるように、設置時に記入してください。</b></p> <p>モデルNo. - _____</p> <p>シリアルNo. - _____</p> <p>製品のオプション - _____</p> <p>販売代理店 - _____</p> <p>販売代理店の電話番号 - _____</p> <p>顧客ID番号 - _____</p> <p>設置日 - _____</p>
-----------	---	---



# GENERAL RECOMMENDED MAINTENANCE

## General Recommended Maintenance Items

Ref.	Part No.	Serial Number	Description	Qty.
▽	9002555	(008000-	) Maint Kit, Gas, 800hr[M20/T20]	1
▲	31613	(008000-	) Strainer, Hyd, 25 Gpm 100 Mesh	1
▲	25122	(008000-	) Cap, Breather, Hyd, 2.4 Ds	1
▲	1021579	(008000-	) Filter Assy, Hyd, 10mic	1
▲	372440	(008000-	) Filter, Fuel [Gm 1.6/3.0]	1
▽	9007381	(008000-	) Maint Kit, 800hr [M20/T20/M30 Lpg 2010]	1
▲	31613	(008000-	) Strainer, Hyd, 025gpm 100mesh 03psi	1
▲	25122	(008000-	) Cap, Breather, Hyd, 2.4 Ds	1
▲	1021579	(008000-	) Filter Assy, Hyd, 10mic	1
▲	9007380	(008000-	) Filter Kit, Fuelock, Lpg	1
	393982	(006000-	) Element, Fltr, Oil, Spin-On (Mits)	1
	1048295AM	(008000-	) Filter, Panl, Syn, 4.2 X 20.0 X 30.0	1
	1027290	(008000-	) Filter, Soltn, 20mesh, Pm12 3.1d 02.6l	1
	87866	(008000-	) Key, Ignition [Set Of 2]	1
	10137	(008000-	) Battery, Wet, 12vdc 0475cca	1
	20833	(008000-	) Wheel, 3.0d 1.38w 0.50b	2
	1033644	(008000-	) Belt, Ribbed, 38.5l	1
	1024586	(008000-	) Skirt, Neo, .06, 06.85w 27.95l, 08 Hole	2
	1019295	(008000-	) Skirt, Neo, .18, 10.37w 27.95l, 12 H&S	2
	1020166	(008000-	) Skirt, Neo, .06, 12.00w 45.88l, 07 Hole	1
	1022009	(008000-	) Skirt, Neo, .06, 06.38w 40.86l, 06 Hole	1
	1022007	(008000-	) Skirt, Rbr, .37, 04.50w 40.94l, 06 Hole	1
	1017868	(008000-	) Blade, Sqge, Front [Linard]	1
	1031331	(008000-	) Blade, Sqge, Rear, Linatex	1
	83874	(008000-	) Gasket, Sqge	2
	1031011	(008000-	) Blade, Sqge, 37.08l Linatex	2
	1027719	(008000-	) Blade, Sqge, Front, 49.59l Pyu	1
	1031945	(008000-	) Blade, Sqge, Rear, 53.78L Pyu	1
	1031823	(008000-	) Blade, Sqge, .38 3.55w 038.3l, Ure	2
	9014160	(008000-	) Plug, Spark	4
	1059091	(008000-	) Blade, Sqge, Side Brush, Urethane	1
	1059092	(008000-	) Blade, Sqge, Side Brush, Urethane	1
	1046980	(008000-	) Blade, Sqge, Side Brush, Linatex	1
	1047238	(008000-	) Blade, Sqge, Side Brush, Linatex	1
	16411	(008000-	) Paint, Airdry, Off-White, 12oz	1
	16412	(008000-	) Paint, Airdry, Teal, 12oz, Solid	1
	377540	(008000-	) Paint, Airdry, Blk, 12oz	1
	377538	(008000-	) Paint, Airdry, Gray, 12oz [Enamel]	1
	377537	(008000-	) Paint, Airdry, Iron Gray, 12oz[Pwdr Coat]	1
	1057710	(008000-	) Oil, Hyd [El, Iso 100, 01gal]	1
	1057711	(008000-	) Oil, Hyd [El, Iso 100, 05gal]	1
	1069019	(008000-	) Oil, Hyd [El, Iso 68, 01gal]	1
	1069020	(008000-	) Oil, Hyd [El, Iso 68, 05gal]	1
	1057707	(008000-	) Oil, Hyd [El, Iso 32, 01gal]	1
	1057708	(008000-	) Oil, Hyd [El, Iso 32, 05gal]	1

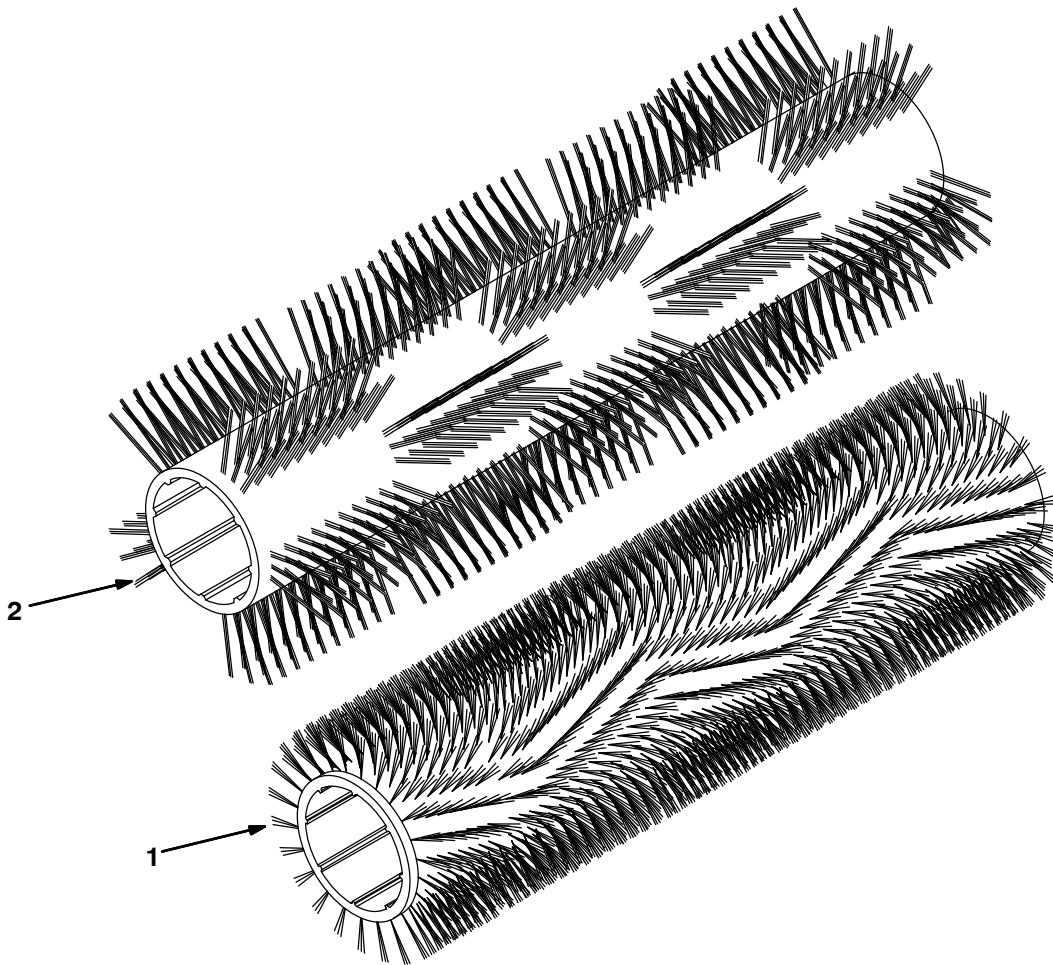


**SECTION 2**

<b>Contents</b>	<b>Page</b>
Fig. 1 – Brushes, Replacement, Scrub Head	2-2
Fig. 2 – Brushes, Replacement, Side Brush	2-3
Fig. 3 – Main Frame Group	2-4
Fig. 4 – Operator Station Group	2-6
Fig. 5 – Operator Station Insulation Group	2-8
Fig. 6 – Instrument Panel Group	2-10
Fig. 7 – Seat Group	2-12
Fig. 8 – Steering Group	2-14
Fig. 9 – Front Cover Group	2-16
Fig. 10 – Engine Cover Group	2-18
Fig. 11 – Mitsubishi Engine and Mount Group, Gas	2-20
Fig. 12 – Mitsubishi Engine and Mount Group, LPG	2-22
Fig. 13 – Mitsubishi Engine EFI Group, Gasoline	2-24
Fig. 14 – Mitsubishi Engine EFI Group, LPG	2-26
Fig. 15 – Mitsubishi Engine Air Cleaner Group, Gasoline	2-28
Fig. 16 – Mitsubishi Engine Air Cleaner Group, LPG	2-30
Fig. 17 – Mitsubishi Engine Alternator and Fan Group	2-32
Fig. 18 – Mitsubishi Engine Muffler Group	2-34
Fig. 19 – Mitsubishi Engine Radiator and Mount Group	2-36
Fig. 20 – Mitsubishi Engine Radiator Hose Group	2-38
Fig. 21 – Engine Fuel Tank Group, Gasoline	2-40
Fig. 22 – Engine Fuel Tank Group, LPG	2-42
Fig. 23 – Battery and Electrical Group	2-44
Fig. 24 – Wheel Group, Front Drive	2-46
Fig. 25 – Wheel Group, Rear	2-48
Fig. 26 – Brake Pedal Linkage Group	2-50
Fig. 27 – Directional Pedal Group	2-52
Fig. 28 – Hydraulic Pump Linkage Group	2-54
Fig. 29 – Hopper Lift Arms Group	2-56
Fig. 30 – Hopper and Debris Screen Group	2-58
Fig. 31 – Hopper Cover and Dust Filter Group	2-60
Fig. 32 – Hopper Bumper Group	2-62
Fig. 33 – Hopper Door Group	2-64
Fig. 34 – Cylindrical Scrub Brush Drive Group, Left Side	2-66
Fig. 35 – Cylindrical Scrub Brush Drive Group, Right Side	2-68
Fig. 36 – Cylindrical Scrub Brush Head Lift Group	2-70
Fig. 37 – Cylindrical Brush Head Skirt Group	2-72
Fig. 38 – Squeegee Lift Group, Rear	2-74
Fig. 39 – Squeegee Group, Rear	2-76
Fig. 40 – Squeegee Linkage Group, Rear	2-78
Fig. 41 – Squeegee Group, Right Side	2-80
Fig. 42 – Squeegee Lift Group, Right Side	2-82
Fig. 43 – Squeegee Group, Left Side	2-84

<b>Contents</b>	<b>Page</b>
Fig. 44 – Squeegee Lift Group, Left Side	2-86
Fig. 45 – Solution Tank Group	2-88
Fig. 46 – Solution Tank Drain Group	2-92
Fig. 47 – Solution Control Group	2-94
Fig. 48 – Recovery Tank Group	2-96
Fig. 49 – Recovery Tank Drain Group	2-98
Fig. 50 – Vacuum Fan Group, Scrubbing	2-100
Fig. 51 – Vacuum Fan Group, Sweeping	2-102
Fig. 52 – Hydraulic Schematic	2-104
Fig. 53 – Hydraulic Hose Group, Steering and Propel	2-106
Fig. 54 – Hydraulic Hose Group, Pump and Vacuum Fans	2-108
Fig. 55 – Hydraulic Hose Group, Brush and Hopper	2-110
Fig. 56 – Hydraulic Hose Group, Squeegee Lift	2-112
Fig. 57 – Hydraulic Pumps Group	2-114
Fig. 58 – Hydraulic Cooler and Tubes Group	2-116
Fig. 59 – Hydraulic Reservoir Group	2-118
Fig. 60 – Hydraulic Valve Group	2-120
Fig. 61 – Electrical Schematic	2-122
Fig. 62 – Electrical Schematic, Gas Engine Harness	2-130
Fig. 63 – Electrical Schematic, LPG Engine Harness	2-132
Fig. 64 – Electrical Wire Harness Group, Main	2-134
Fig. 65 – Electrical Wire Harness Group, Headlight	2-140
Fig. 66 – Electrical Wire Harness Group, Hopper	2-141
Fig. 67 – Electrical Wire Harness Group, Hopper Cover	2-142
Fig. 68 – Electrical Wire Harness Group, Gasoline/LPG Engine	2-143
Fig. 69 – Label Group	2-144

**Fig. 1 – Brushes, Replacement, Scrub Head**

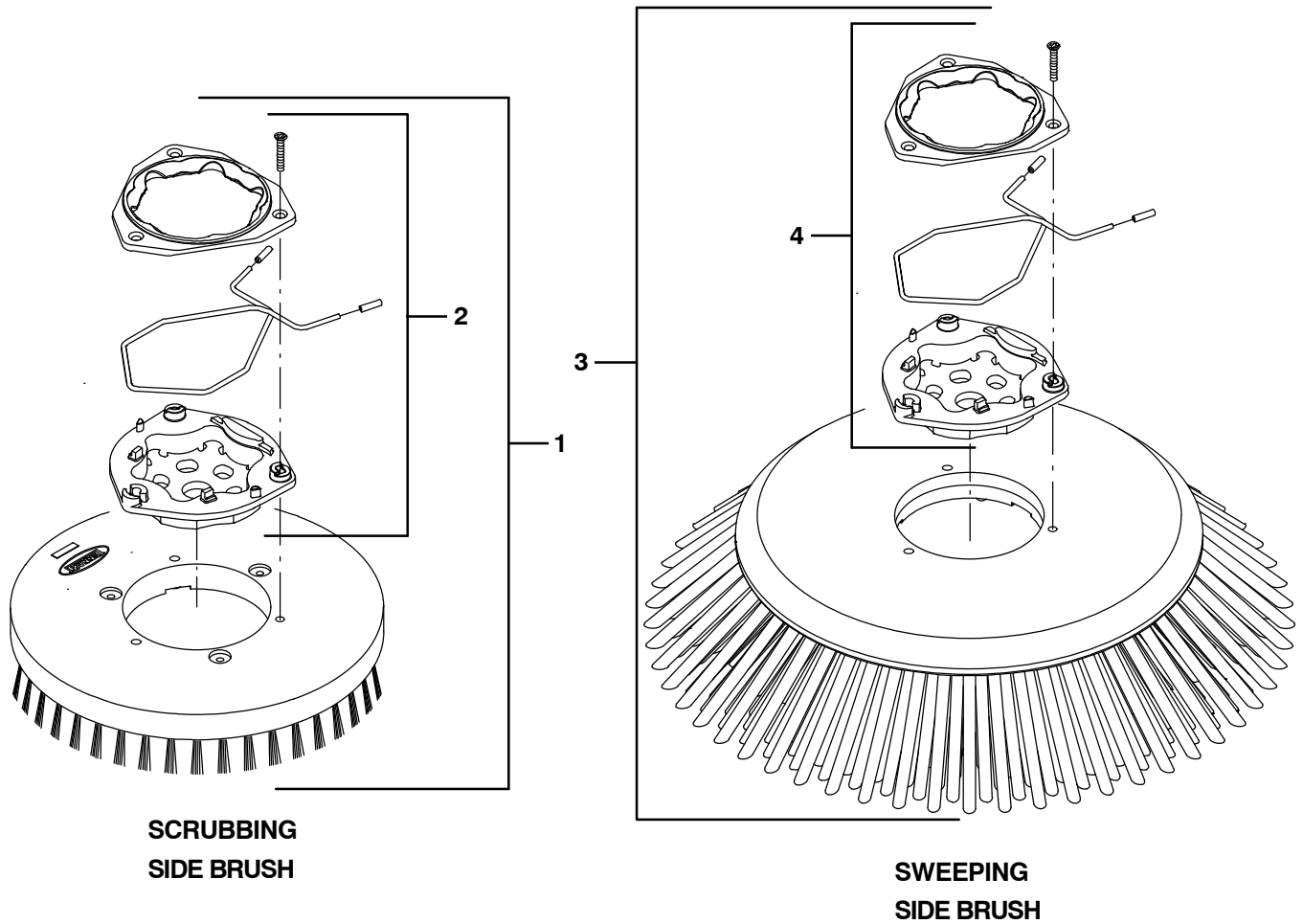


354408 – M20

Ref.	Part No.	Serial Number	Description	Qty.
1	1026223	(008000–	) Brush, Sweep / Scb, 40L, Polypropylene, Spiral	2
1	1252156	(008000–	) Brush, Sweep / Scb, 40L, 24Sr, Super Abrasive, Spiral	2
1	1027697	(008000–	) Brush, Sweep / Scb, 40L, Polyester, Spiral	2
1	1030969	(008000–	) Brush, Sweep / Scb, 40L, Heavy Duty Polypropylene, Spiral	2
2	1040524	(008000–	) Brush, Sweep / Scb, 40L, Window, Polypropylene, Spiral	1
2	1059640	(008000–	) Brush, Sweep / Scb, 40L, Window, Super Abrasive, Spiral	1



**Fig. 2 – Brushes, Replacement, Side Brush**



354584 – NA, M20, T20

	<b>Ref.</b>	<b>Part No.</b>	<b>Serial Number</b>	<b>Description</b>	<b>Qty.</b>
▽	1	1220235	(008000–	) Brush Assy, Disk, Scb, 16.0d, Nylon	1
▲	2	9014662	(008000–	) Brush Kit, Hub Assy, Drive, Ci [Hdpe In]	1
▽	1	1220236	(008000–	) Brush Assy, Disk, Scb, 16.0d, Heavy Duty Polypropylene	1
▲	2	9014662	(008000–	) Brush Kit, Hub Assy, Drive, Ci [Hdpe In]	1
▽	1	1221543	(008000–	) Brush Assy, Disk, Scb, 16.0d, Super Abrasive	1
▲	2	9014662	(008000–	) Brush Kit, Hub Assy, Drive, Ci [Hdpe In]	1
▽	3	1220185	(008000–	) Brush Assy, Disk, Swp, 24.0d, Polypropylene	1
▲	4	9014666	(008000–	) Brush Kit, Hub Assy, Drive, Ci [Uhmw]	1

**Fig. 3 – Main Frame Group**

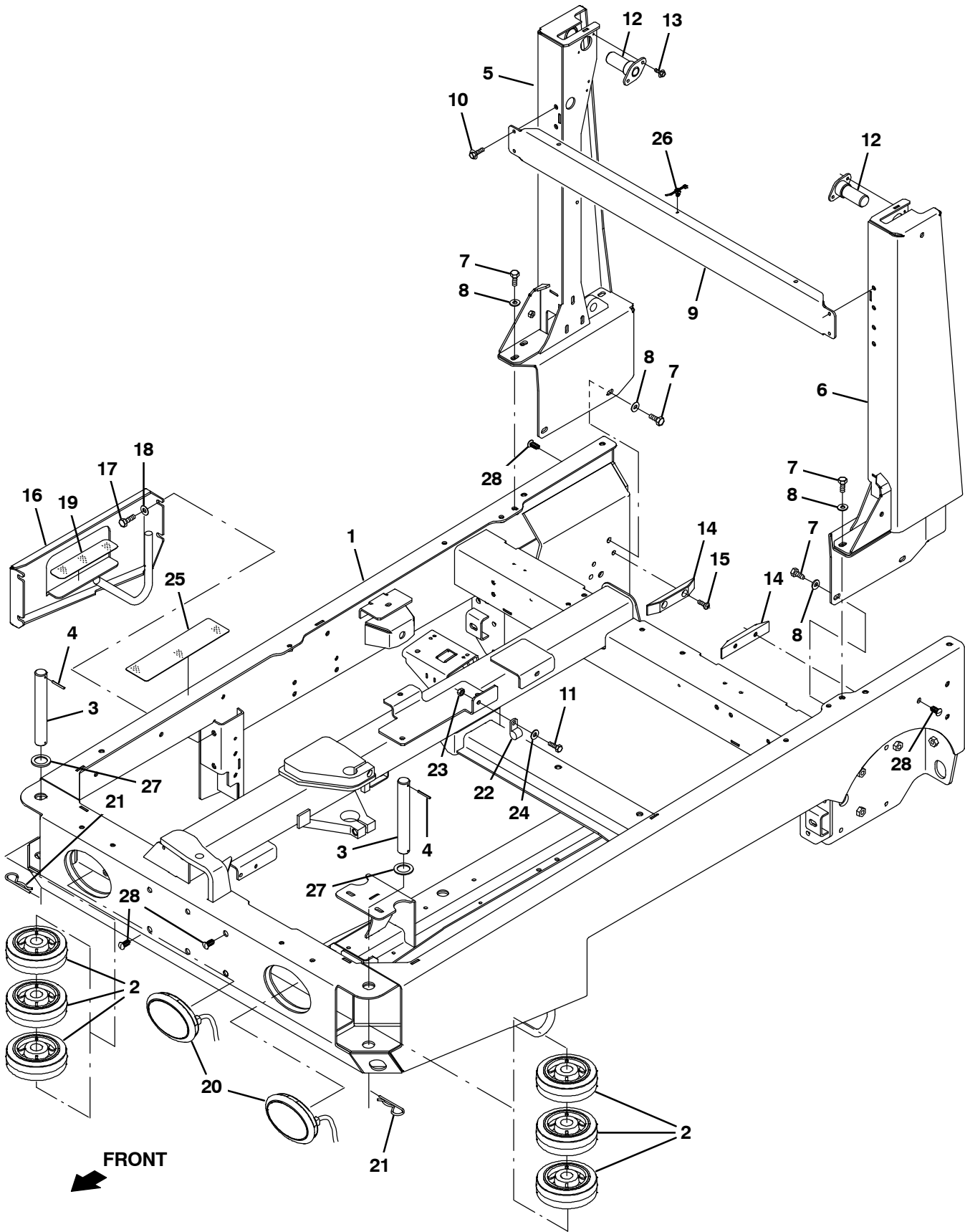


Fig. 3 - Main Frame Group

Ref.	Part No.	Serial Number	Description	Qty.
1	9002401	(008000-	) Frame Wldt, Main, Replmt [M20 & T20]	1
2	1060130	(008000-	) Wheel, 06.0D 2.00W 1.19B, Gray Rbr	6
3	1053838	(008000-	) Pin, 30mmd X 215mml	2
4	23146	(008000-	) Pin, Roll, .187d X 1.62l, .187/.192	2
5	9002400	(008000-	) Tower, Wldt, Lift, Rh, Replmt [M20]	1
6	9002399	(008000-	) Tower, Wldt, Lift, Lh, Replmt [M20]	1
7	39283	(008000-	) Screw, Hex, M10 X 1.5 X 25, 8.8	10
8	32492	(008000-	) Washer, Flat, 0.38 Std	10
9	1017791	(008000-	) Channel, Upper, Tower, Lift	1
10	1037346	(008000-	) Screw, Hex, M8 X 1.25 X 25, 9.8, Sems	4
11	39277	(008000-	) Screw, Hex, M8 X 1.25 X 25, 8.8	1
12	1019251	(008000-	) Pin Wldt, Pivot, Hppr	2
13	74455	(008000-	) Screw, Hex, M6 X 1.0 X 12, Fmg	4
14	1021327	(008000-	) Block, Guide, Hppr	2
15	367771	(008000-	) Screw, Pan, M8 X 1.25 X 25, Ss	4
16	1027916	(008000-	) Panel Wldt, Filler	1
17	12317	(008000-	) Screw, Hex, M10 X 1.5 X 30, Ss	4
18	01686	(008000-	) Washer, Flat, 0.44b 1.00d .08, Ss	4
19	363458	(008000-	) Tread, Non-Skid, 01.9w 08.0l	1
20	1075367	(008000-	) Headlight, 12Vdc, Oval, Led	2
21	34411	(008000-	) Pin, Cotter, Hair, 1.00d .178 Wir	2
22	53466	(008000-	) Clamp, Cable, Stl, 1.50d X 1.00w, 1hole	1
23	08709	(008000-	) Nut, Hex, Lock, M8 X 1.25, NI	1
24	32491	(008000-	) Washer, Flat, 0.31, Std	1
25	58819	(008000-	) Tread, Non-Skid, 03.0w 11.6l	1
26	1210807	(008000-	) Wire, Tie [W/.25" Fir Tree Clip]	1
27	1062566	(008000-	) Washer, Flat, 1.26B 1.88D .13, Stl, Pl	2
28	1055605	(008000-	) Plug, Hole, Rnd, 0.38h .4-.7, Blk Nyl	12

**Fig. 4 - Operator Station Group**

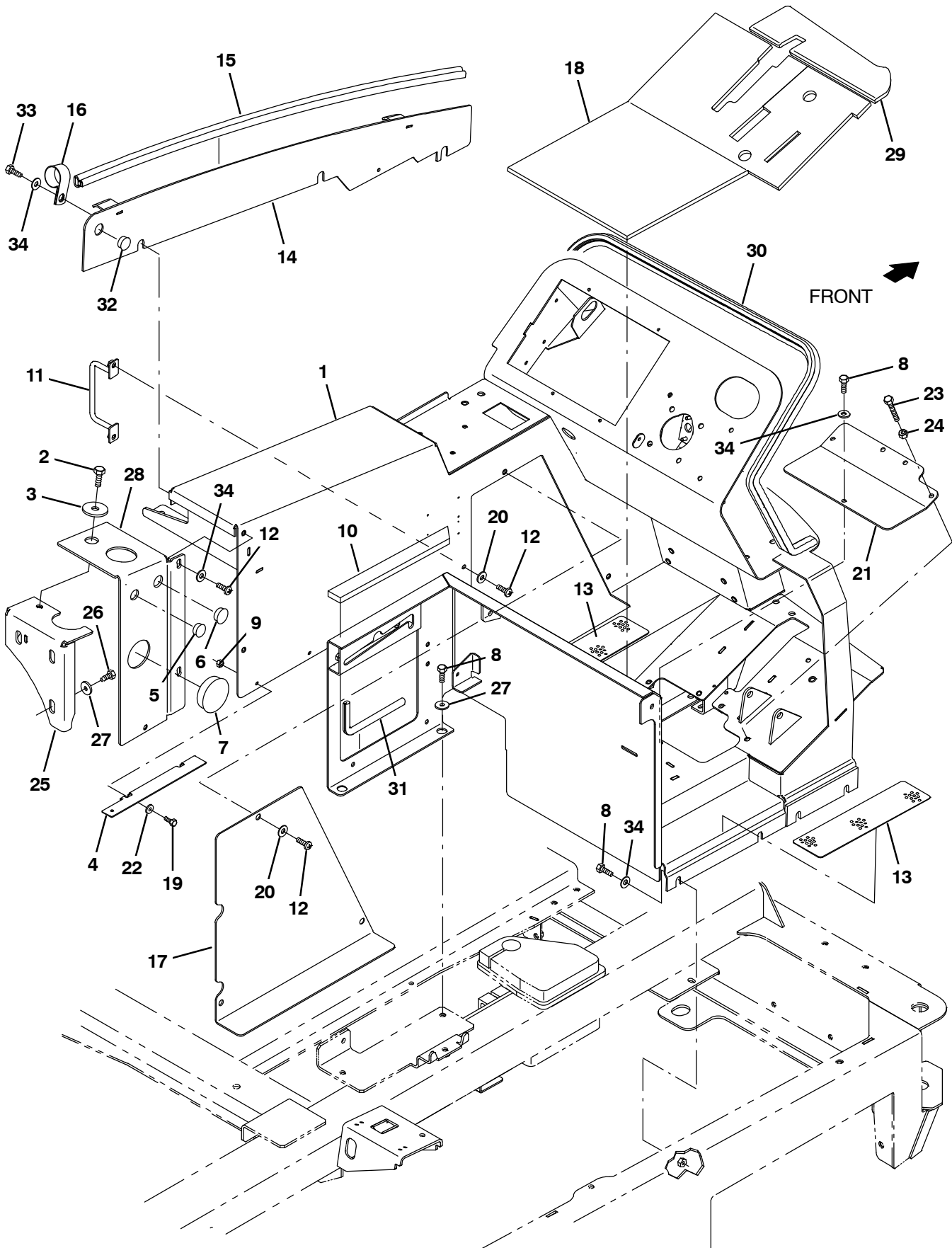


Fig. 4 – Operator Station Group

Ref.	Part No.	Serial Number	Description	Qty.
1	9016324	(008000– )	Panel Wldt, Gas, Replmt	1
1	9016320	(008000– )	Panel Wldt, Gas, Replmt [W/Fast]	1
1	9016321	(008000– )	Panel Wldt, Gas, W/ Es, Replmt	1
1	9016326	(008000– )	Panel Wldt, Gas, Replmt, TJ (Japan only)	1
1	9016329	(008000– )	Panel Wldt, Gas, Replmt, TJ [W/Fast] (Japan only)	1
1	9016332	(008000– )	Panel Wldt, Gas, Replmt, TJ, W/Es (Japan only)	1
1	9016335	(008000– )	Panel Wldt, LPG, Replmt	1
1	9016336	(008000– )	Panel Wldt, LPG, Replmt [W/Fast]	1
1	9016337	(008000– )	Panel Wldt, LPG, Replmt, W/Es	1
1	9016327	(008000– )	Panel Wldt, LPG, Replmt, TJ (Japan only)	1
1	9016330	(008000– )	Panel Wldt, LPG, Replmt, TJ [W/Fast] (Japan only)	1
1	9016333	(008000– )	Panel Wldt, LPG, Replmt, TJ, W/Es (Japan only)	1
2	39283	(008000– )	Screw, Hex, M10 X 1.5 X 25, 8.8	1
3	04414	(008000– )	Washer, Flat, 0.53b 1.88d .12, Stl, PI	1
4	1047169	(008000– )	Bracket, Mtg, Insulation	2
5	82727	(008000– )	Plug, Hole, Rnd, 0.88h .03–.12, Blk Nyl	1
6	01493	(008000– )	Plug, Hole, Rnd, 1.00h .03–.12, Blk Nyl	1
7	1030017	(008000– )	Plug, Hole, Rnd, 2.50h .03–.25, Blk Nyl	1
8	16931	(008000– )	Screw, Hex, M8 X 1.25 X 20, 8.8	12
9	08708	(008000– )	Nut, Hex, Lock, M6 X 1.00, NI	2
10	1047295	(008000– )	Seal, Foam, 0.50	1
11	1071616	(008000– )	Bracket Wldt, Mtg, Hose	1
12	1031665	(008000– )	Screw, Pan, M8 X 1.25 X 25, Blk	6
13	58819	(008000– )	Tread, Non–Skid, 03.0w 11.6l	4
14	1035832	(008000– )	Panel Wldt, Adj [2007]	1
15	1030593	(008000– )	Seal, Afmkt, Bulb, 90, 0.75d F/11ga 08ft	1
16	53466	(008000– )	Clamp, Cable, Stl, 1.50d X 1.00w, 1h	5
17	1021834	(008000– )	Panel, Access, Door	1
18	1027218	(008000– )	Mat, Floor	1
19	06942	(008000– )	Screw, Hex, M6 X 1.00 X 16, 8.8	2
20	39349	(008000– )	Washer, Flat, 0.31 Sae	5
21	1022699	(008000– )	Panel, Access, Floor	1
22	32490	(008000– )	Washer, Flat, 0.25, Std	2
23	363976	(008000– )	Screw, Hex, M8 X 1.25 X 60, 8.8, FI	1
24	39311	(008000– )	Nut, Hex, Std, M8 X 1.25	1
25	1035997	(008000– )	Bracket Wldt, Mtg, Tank	1
26	09740	(008000– )	Screw, Hex, M8 X 1.25 X 20, Ss	3
27	1017218	(008000– )	Washer, Flat, 0.32b 1.00d .12, Ss	5
28	1033975	(008000– )	Bracket, Mtg	1
29	1027267	(008000– )	Mat, Floor	1
30	1030593	(008000– )	Seal, Afmkt, Bulb, 90, 0.75d F/11ga 08ft	1
31	1020168	(008000– )	Molding, Afmkt, Trim, Pvc, .08 .11, 1ft	1
32	80288	(008000– )	Plug, Hole, Rnd, 0.81h, Blk	1
33	39277	(008000– )	Screw, Hex, M8 X 1.25 X 25, 8.8	6
34	32491	(008000– )	Washer, Flat, 0.31, Std	17

**Fig. 5 – Operator Station Insulation Group**

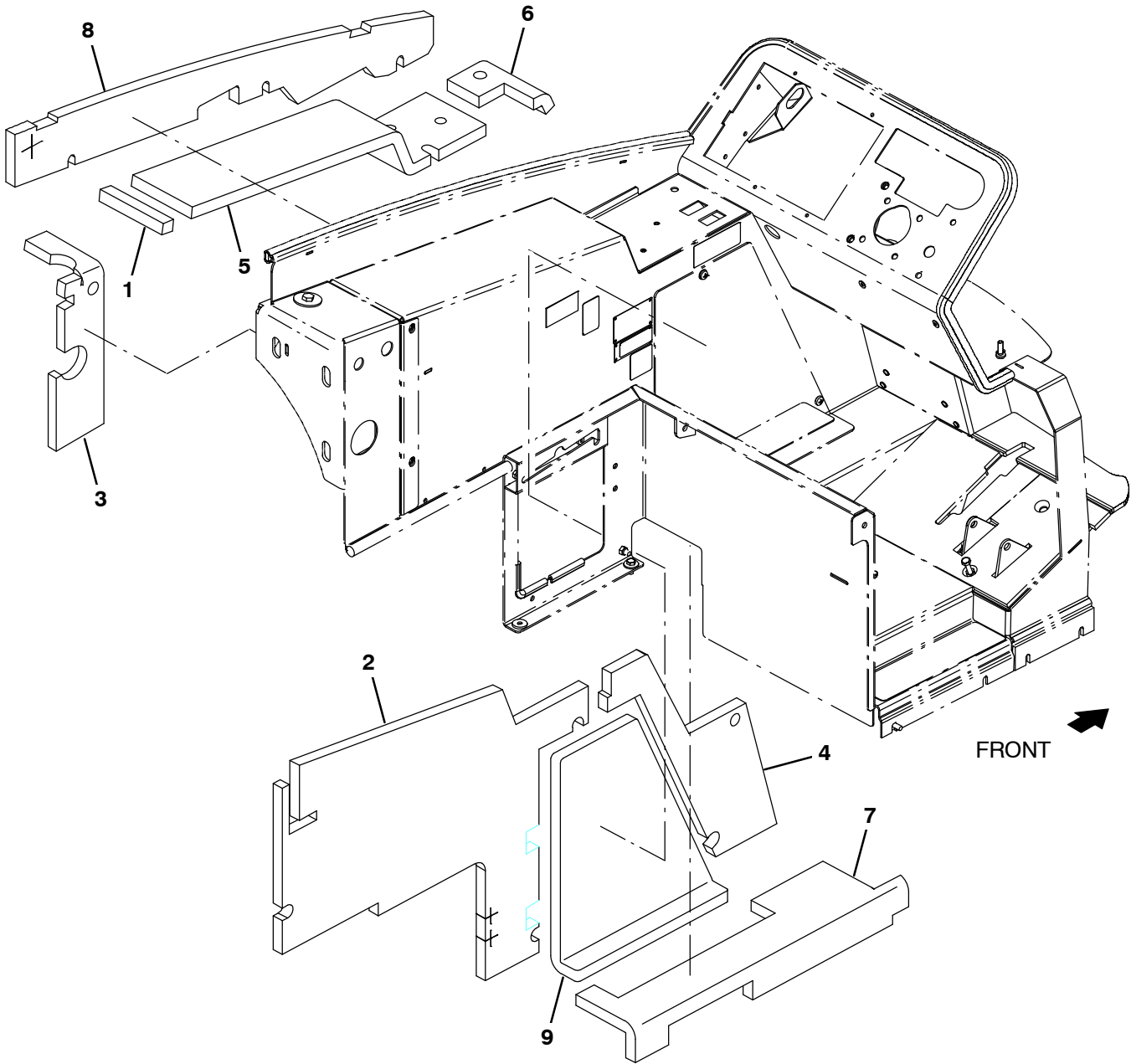


Fig. 5 – Operator Station Insulation Group

Ref.	Part No.	Serial Number	Description	Qty.
1	1034769	(008000–	) Insulation, Flame-retardant, 0.75–0.88	1
2	1034765	(008000–	) Insulation, Flame-retardant, 0.75–0.88	1
3	1040841	(008000–	) Insulation, Flame-Retardant, 0.75–0.88	1
4	1023464	(008000–	) Insulation, Flame-Retardant, 0.75–0.88	1
5	1034764	(008000–	) Insulation, Flame-retardant, 0.75–0.88	1
6	1034766	(008000–	) Insulation, Flame-retardant, 0.75–0.88	1
7	1034768	(008000–	) Insulation, Flame-retardant, 0.75–0.88	1
8	1034770	(008000–	) Insulation, Flame-retardant, 0.75–0.88	1
9	1023569	(008000–	) Insulation, Flame-Retardant, 0.75–0.88	1

Fig. 6 – Instrument Panel Group

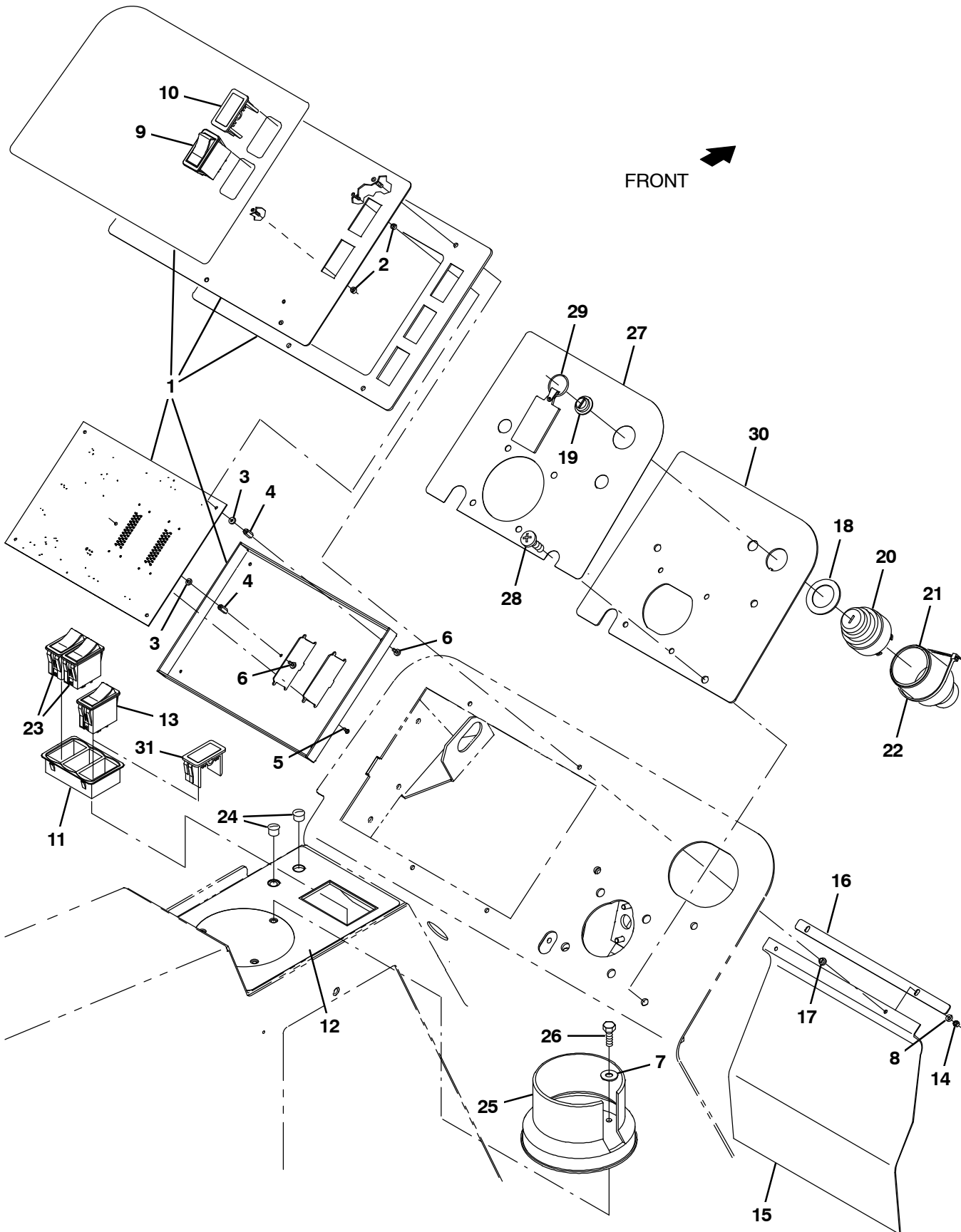




Fig. 6 – Instrument Panel Group

Ref.	Part No.	Serial Number	Description	Qty.
▽	1	1223896	(008000– ) Panel Assy, Instmt, W/ Label, Afmkt	1
▲	2	1006808	(008000– ) Spacer, Rnd, .125l, Alm	5
▲	3	1008663	(008000– ) Washer, Flat, 0.15b 0.31d .05, Nyl	5
▲	4	1022472	(008000– ) Stand-Off, Hex, M3 X M14, Alm	5
▲	5	1008240	(008000– ) Screw, Pan, #04–24 X 0.50l, Hi – Low	5
▲	6	1022905	(008000– ) Screw, Pan, M3 X 6, [Seelscrew]	8
	7	32490	(008000– ) Washer, Flat, 0.25, Std	3
	8	19065	(008000– ) Washer, Flat, 0.19b 0.44d .05, Pl, 08	4
	9	392171	(008000– ) Switch, Rocker, Dpdt, On / Off / On	1
	10	398501	(008000– ) Plug, Hole, Rt, Rocker Switch, .87 X 1.7	1
	11	1029951	(008000– ) Bezel, Switch [3 Gang]	1
	12	1223906	(008000– ) Label, Switch, Rocker [Drago]	1
	13	1224603	(008000– ) Switch, Rocker, Mom, Led (Dry Dust Control Only)	1
	14	16968	(008000– ) Nut, Hex, Lock, #08–32, NI	4
	15	1028769	(008000– ) Flap, Battery	1
	16	1028772	(008000– ) Bar, Flat, Ss 0.06, 00.50 X 10.00l, 2sl	1
	17	1029362	(008000– ) Washer, Shld, Nyl [8–32]	4
	18	73736	(008000– ) Washer, Flat, 1.15b 1.75d .08, Stl	1
	19	382516	(008000– ) Boot, .63id .29l .90w	1
▽	20	87536	(008000– ) Switch, Ignition [Ku]	1
▲		87866	(008000– ) Key, Ignition [Set of 2]	1
	21	383165	(008000– ) Boot, Switch, Ignition	1
	22	49266	(008000– ) Tie, Cable, Nyl, 07.3l .19w 1.8 Max D	2
	23	398508	(008000– ) Switch, Rocker, Dpdt, Mom / Off / Mom	2
	24	56992	(008000– ) Plug, Hole, Rnd, 0.50h .03–.12, Blk Nyl	2
	25	223599	(008000– ) Cup Holder, Rwk	1
	26	06943	(008000– ) Screw, Hex, M6 X 1.00 X 20, 8.8	3
	27	1223903	(008000– ) Label, Instrument Panel, Rh, [Drago]	1
	28	1031665	(008000– ) Screw, Pan, M8 X 1.25 X 25, Blk	4
	29	1075003	(008000– ) Keychain, Rectangle, Parts & Service	1
	30	1223897	(008000– ) Plate, Instrument, Rh [Drago]	1
	31	398501	(010900– ) Plug, Hole, Rt, Rocker Switch, .87 X 1.7 (Wet Dust Control Only)	1

**Fig. 7 - Seat Group**

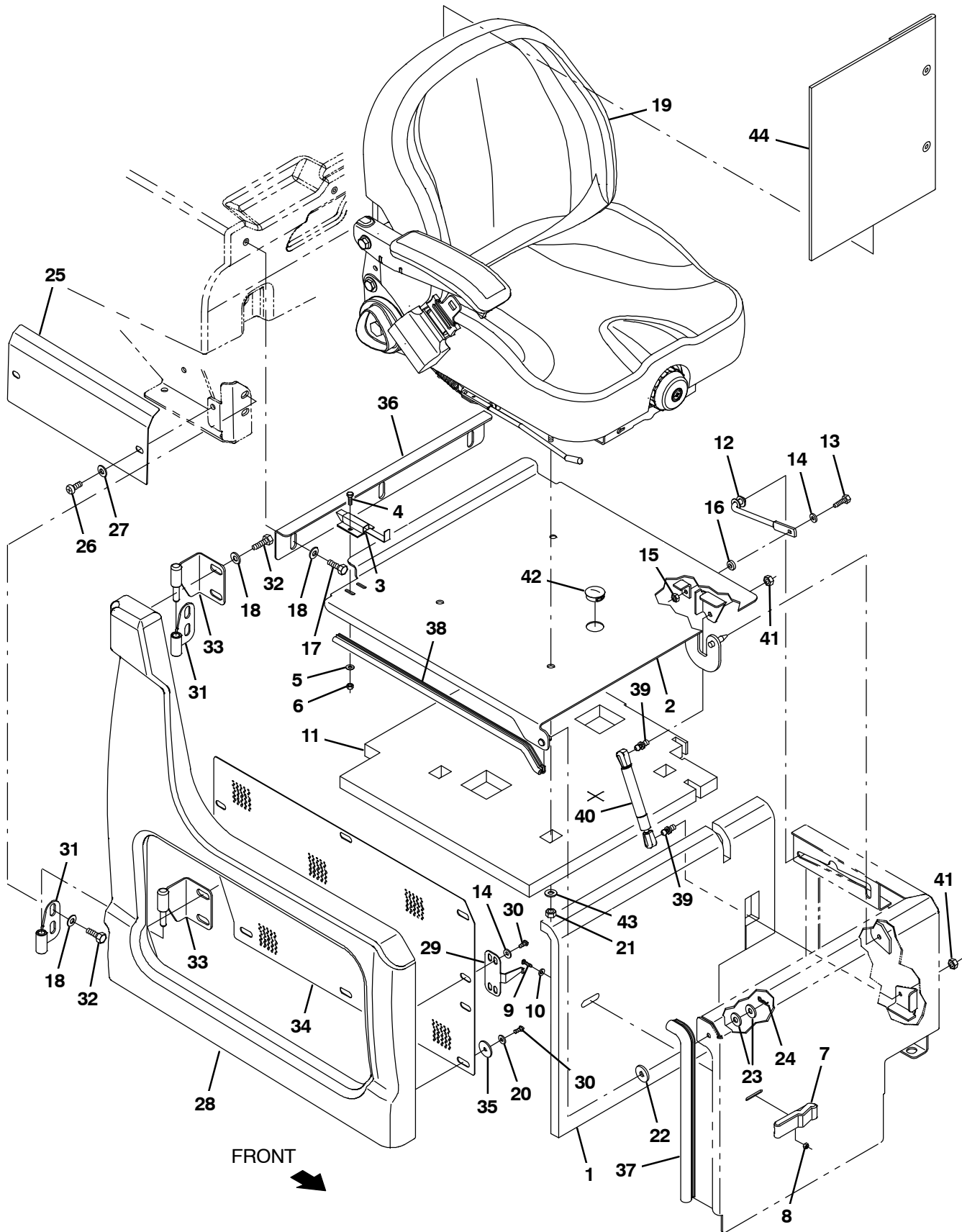


Fig. 7 – Seat Group

Ref.	Part No.	Serial Number	Description	Qty.
1	1034767	(008000–	) Insulation, Flame-retardant, 0.75–0.88	1
2	1019228	(008000–	) Plate Wldt, Seat	1
3	1025736	(008000–	) Latch	1
4	09252	(008000–	) Screw, Hex, M5 X 0.8 X 20, 8.8	2
5	19066	(008000–	) Washer, Flat, #10	2
6	06549	(008000–	) Nut, Hex, Lock, M5 X 0.8, NI	2
7	49800	(008000–	) Latch	1
8	02850	(008000–	) Nut, Hex, Lock, M4 X 0.7, NI	4
9	06929	(008000–	) Screw, Pan, M4 X 0.7 X 25, 4.8	4
10	19065	(008000–	) Washer, Flat, #08	2
11	1023499	(008000–	) Insulation, Flame-Retardant, 1.0	1
12	223080	(008000–	) Arm Wldt, Safety, Sppt, Seat, .38d 06.5d	1
13	06943	(008000–	) Screw, Hex, M6 X 1.0 X 20, 8.8	1
14	32483	(008000–	) Washer, Flat, 0.25 Sae	9
15	08708	(008000–	) Nut, Hex, Lock, M6 X 1.0, NI	1
16	21851	(008000–	) Spacer, Plstc, Ny	1
17	09740	(008000–	) Screw, Hex, M8 X 1.25 X 20, Ss	3
18	1017218	(008000–	) Washer, Flat, 0.32b 1.00d .12, Ss	11
19	9018721	(008000–	) Seat, Deluxe, Replmt [M20/T20/M30] (See Breakdowns)	1
20	19066	(008000–	) Washer, Flat, .25b 0.56d .05, PI, 10	6
21	32983	(008000–	) Nut, Hex, Lock, .31–18, NI	4
22	364749	(008000–	) Washer, Flat, 0.41b 1.25d .12, Pye	1
23	32492	(008000–	) Washer, Flat, 0.38 Std	2
24	08085	(008000–	) Pin, Cotter, Hair, 0.31d .058 Wir	1
25	1022005	(008000–	) Cover, Lower	1
26	1031665	(008000–	) Screw, Pan, M8 X 1.25 X 25, Blk	2
27	39349	(008000–	) Washer, Flat, 0.31 Sae	2
28	1018776	(008000–	) Shroud, Seat	1
29	1026825	(008000–	) Bracket, Latch, Shrd, Seat	1
30	09200	(008000–	) Screw, Pan, M5 X 0.8 X 12, Ss	8
31	1024464	(008000–	) Hinge Wldt, Shrd, Rh	2
32	16931	(008000–	) Screw, Hex, M8 X 1.25 X 20, 8.8	8
33	1024425	(008000–	) Hinge Wldt, Shrd, Rh	2
34	1025916	(008000–	) Grill, Side	1
35	41178	(008000–	) Washer, Flat, 0.25 Fendr	6
36	1020487	(008000–	) Bracket, Seat, Adj	1
37	1030588	(008000–	) Seal, Afmkt, Bulb, 90, 0.75d F/11ga 02ft	1
38	1031206	(008000–	) Seal, Afmkt, Bulb, 90, 0.50d, 02ft	1
39	58494	(008000–	) Stud, Ball, .39d .31–16, Gasspring	2
40	368391	(008000–	) Gasspring, 180lb, 03.0strk	1
41	01760	(008000–	) Nut, Hex, Lock, .31–18, NI, Thin	2
42	76888	(008000–	) Plug, Hole, Rnd, 1.25H .03–.12, Blk Nyl	1
43	32491	(008000–	) Washer, Flat, 0.31, Std	4
44	68275	(008000–	) Pouch (OPTION)	1

**Fig. 8 - Steering Group**

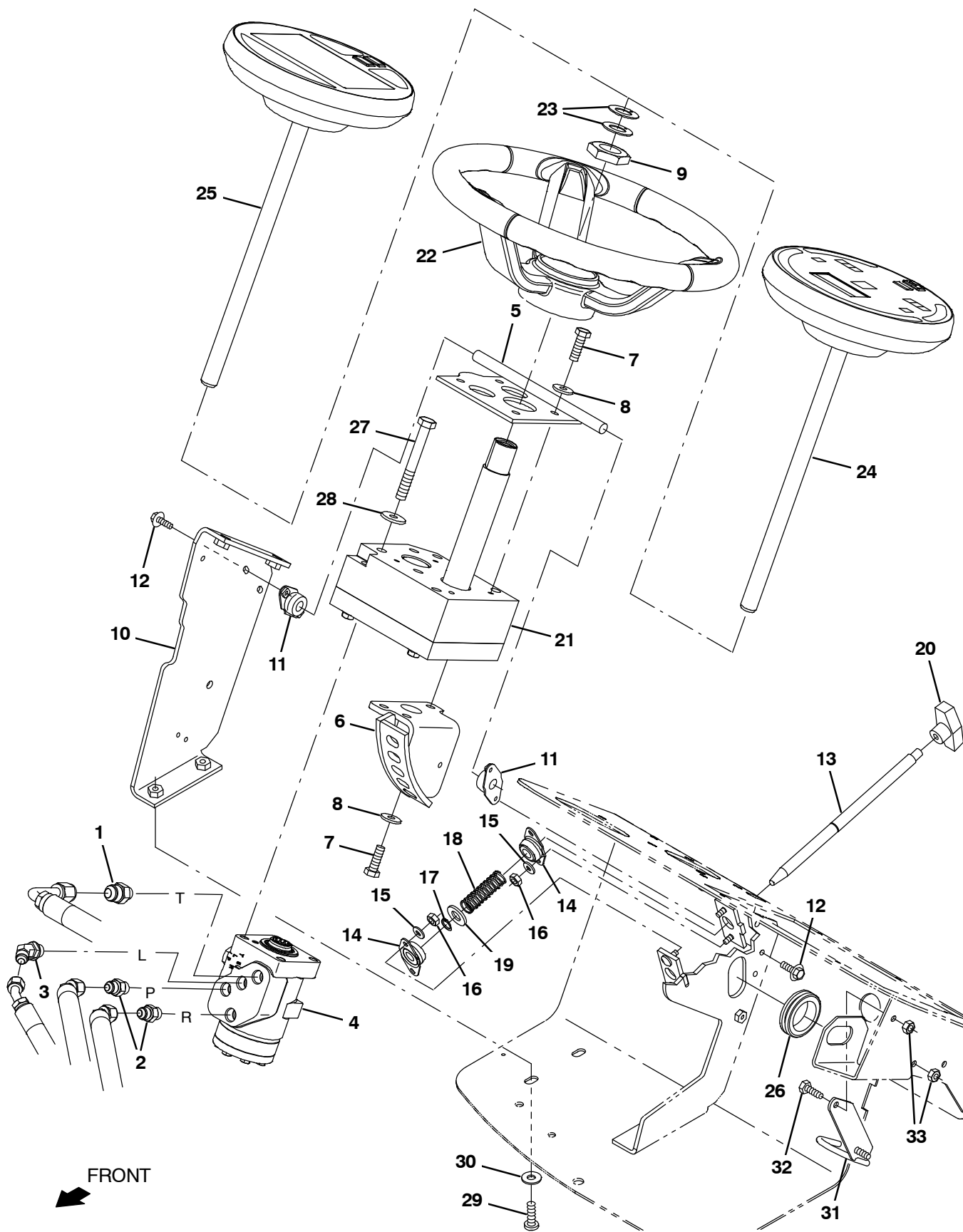


Fig. 8 – Steering Group

Ref.	Part No.	Serial Number	Description	Qty.
1	56835	(008000–	) Fitting, Hyd, Str, Jm08/Om06	1
2	56690	(008000–	) Fitting, Hyd, Str, Jm06/Om06	2
3	47522	(008000–	) Fitting, Hyd, E45, Jm06/Om06	1
4	1024260	(008000–	) Steer–Control, Hyd05, 06.1 2030 (See Breakdowns)	1
5	1223514	(008000–	) Plate, Wldt, Mtg, Housing	1
6	1232054	(008000–	) Bracket Wldt, Steering, Tilt	1
7	16931	(008000–	) Screw, Hex, M8 X 1.25 X 20, 8.8	7
8	32490	(008000–	) Washer, Flat, 0.25, Std	7
9	1059073	(008000–	) Nut, Hex, Jam, 1.12–12	1
10	1223511	(008000–	) Bracket Wldt, Steering, Tilt, Rh	1
11	70709	(008000–	) Bearing, Flng, 2hole, 0.50b	2
12	1036892	(008000–	) Screw, Hex, M6 X 1.00 X 25, 9.8, Sems	4
13	1223504	(008000–	) Pin, Locking, Steering, Tilt	1
14	47585	(008000–	) Bearing, Flng, 2hole, 0.50b [Nyl]	2
15	32483	(008000–	) Washer, Flat, 0.25, Sae	4
16	08708	(008000–	) Nut, Hex, Lock, M6 X 1.00, NI	4
17	70717	(008000–	) Ring, Retaining, Ext, 0.50d, Hd	1
18	22290	(008000–	) Spring, Cmpr, 0.72od .06wir 02.3l	1
19	32486	(008000–	) Washer, Flat, 0.53b 1.06d .10, Stl, PI	1
20	04706	(008000–	) Knob, Tee, 0.38–16, 2.5 X 1.0 1.1l,Plstc	1
21	9015636	(008000–	) Gearbox Kit, Steering, Afmkt[M20/30/T20] (See Breakdowns)	1
22	1056412	(008000–	) Wheel, Steering, 14.4d	1
23	04846	(008000–	) Washer, Thrust, 0.79b 1.42d 0.06[Garlok]	2
24	9015634	(008000–	) Panel Kit, Pod, Afmkt [Std, M20/M30]	1
25	9015633	(008000–	) Panel Kit, Pod, Afmkt [Pro, M20/M30/T20] (Pro–Panel Only)	1
26	10632–13	(008000–	) Grommet, Rbr, 1.50id, F/1.8h, .19 Matl	1
27	06965	(008000–	) Screw, Hex, M10 X 1.50 X 80, 8.8	4
28	13248	(008000–	) Washer, Flat, 0.40b 1.12d .12, Stl, PI	4
29	1031665	(008000–	) Screw, Pan, M8 X 1.25 X 25, Blk	6
30	32491	(008000–	) Washer, Flat, 0.31, Std	6
31	1230341	(010230–	) Bracket Wldt, Hose	1
32	08716	(010230–	) Screw, Hex, M6 X 1.00 X 20, Ss	1
33	08708	(010230–	) Nut, Hex, Lock, M6 X 1.00, NI	2

**Fig. 9 – Front Cover Group**

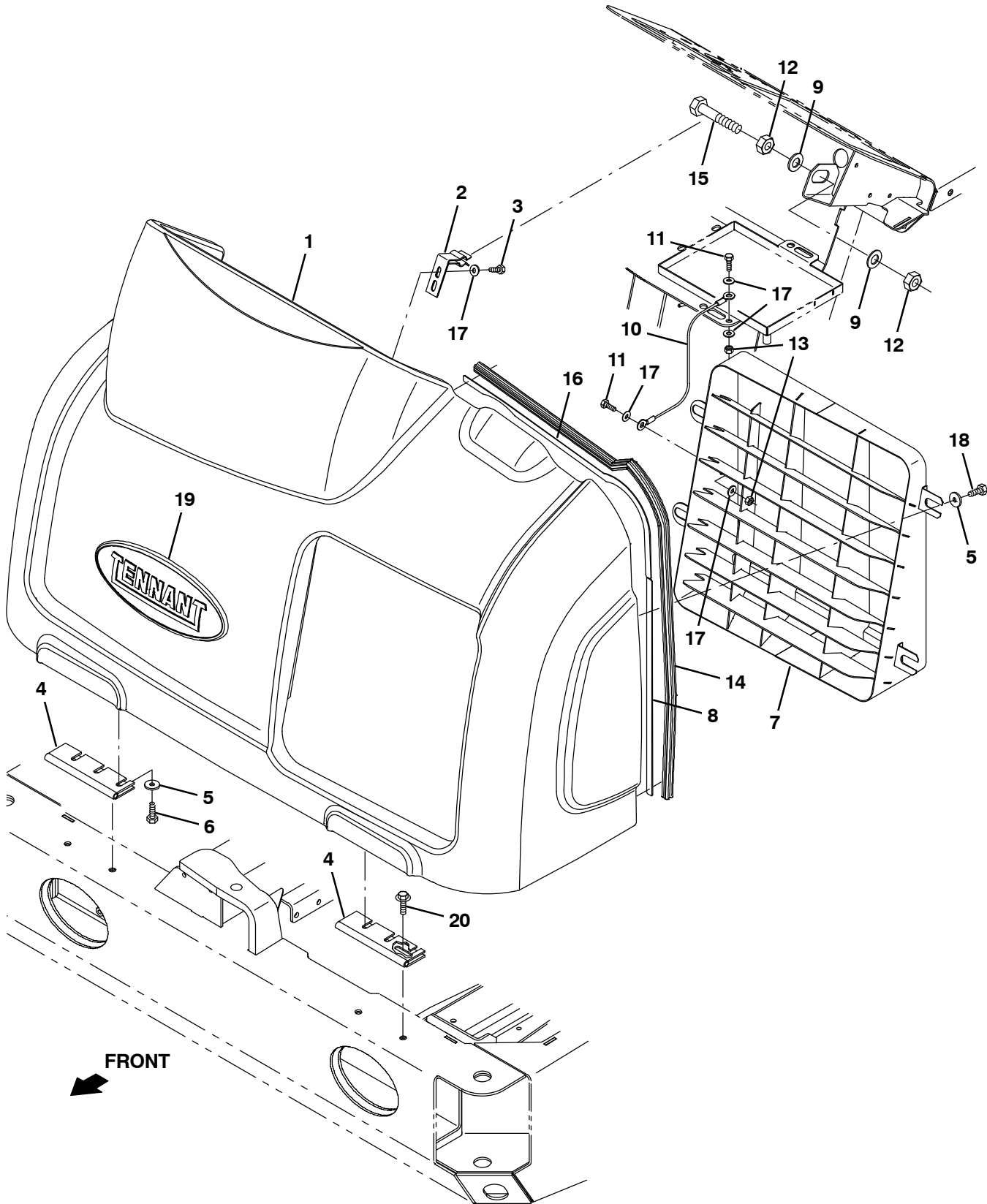


Fig. 9 – Front Cover Group

Ref.	Part No.	Serial Number	Description	Qty.
1	1022069	(008000–	) Shroud, Front, Trimmed	1
2	1008916	(008000–	) Bracket Wldt, Latch	1
3	06942	(008000–	) Screw, Hex, M6 X 1.0 X 16, 8.8	2
4	71941	(008000–	) Hinge, .38pin .11 3.5w 06.0l 6/0.38sl	2
5	1017218	(008000–	) Washer, Flat, 0.32b 1.00d .12, Ss	10
6	16931	(008000–	) Screw, Hex, M8 X 1.25 X 20, 8.8	6
7	1035068	(008000–	) Grill Wldt, Front	1
8	1037971	(008000–	) Strip Mtg, Seal	1
9	15331	(008000–	) Washer, Flat, 0.62 Sae	2
10	391368	(008000–	) Cable, Glv .09d 016.5l .38eye /.38eye	1
11	06943	(008000–	) Screw, Hex, M6 X 1.00 X 20, 8.8	2
12	07782	(008000–	) Nut, Hex, Std, M16 X 2.0	2
13	08708	(008000–	) Nut, Hex, Lock, M6 X 1.0, NI	2
14	1049919	(008000–	) Seal, Sponge, 0.88 1.00W 43.0L	1
15	06988	(008000–	) Screw, Hex, M16 X 2.0 X 90, 8.8	1
16	1037970	(008000–	) Strip Mtg, Seal	1
17	32490	(008000–	) Washer, Flat, 0.25, Std	6
18	16735	(008000–	) Screw, Hex, M8 X 1.25 X 16, 8.8	4
19	1214251	(008000–	) Nameplate, Tennant, Domed, 10 Inch	1
20	1037346	(008000–	) Screw, Hex, M8 X 1.25 X 25, 9.8, Sems	4

**Fig. 10 – Engine Cover Group**

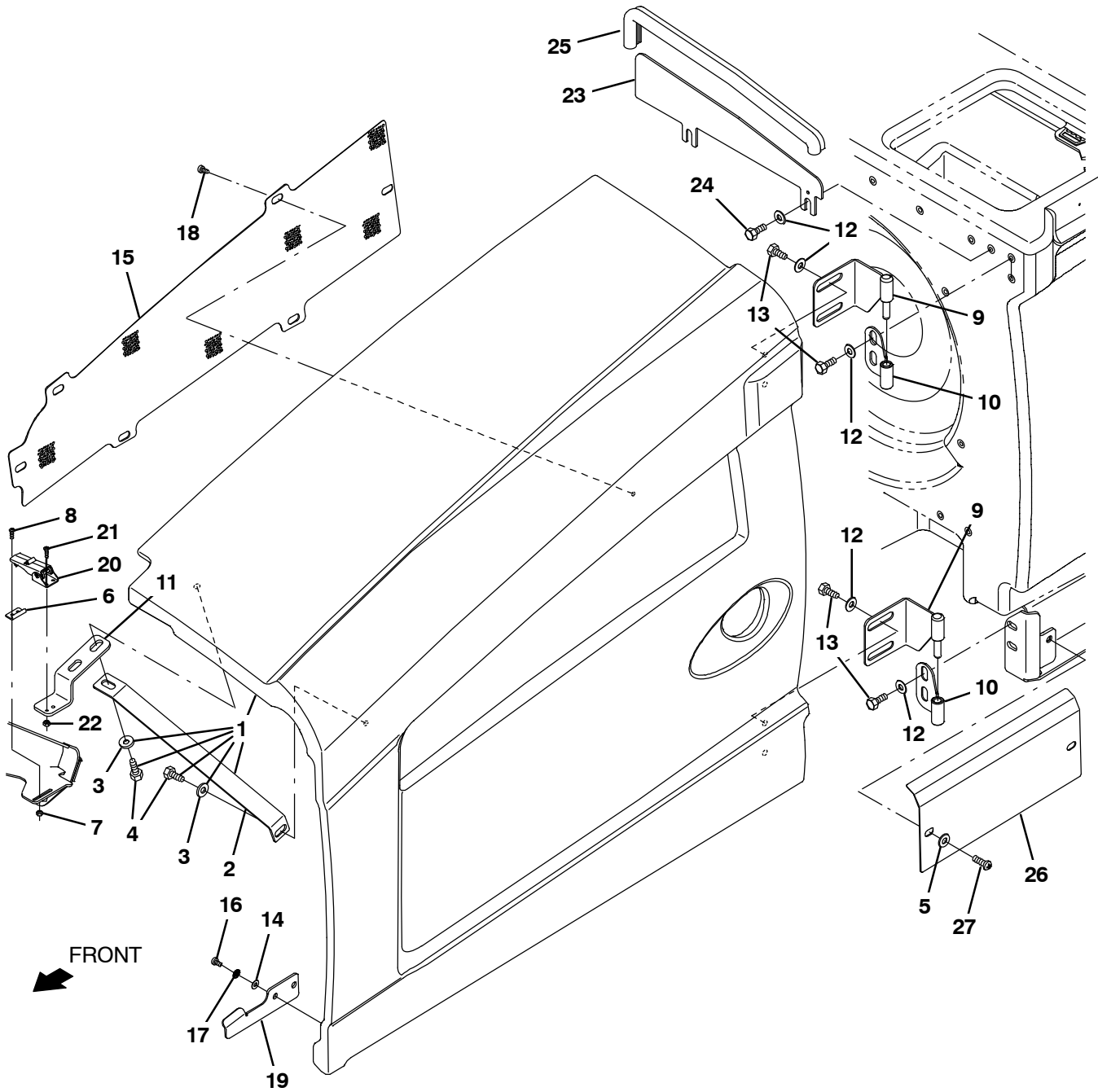




Fig. 10 - Engine Cover Group

	Ref.	Part No.	Serial Number	Description	Qty.
▽	1	1071439	(008000-	) Shroud Assy, Eng	1
▲	2	1026628	(008000-	) Angle, Brace, Shrd	1
▲	3	1017218	(008000-	) Washer, Flat, 0.32b 1.00d .12, Ss	2
▲	4	16931	(008000-	) Screw, Hex, M8 X 1.25 X 20, 8.8	2
	5	39349	(008000-	) Washer, Flat, 0.31 Sae	2
	6	384419	(008000-	) Bracket, Latch, Keeper [Southco]	1
	7	33932	(008000-	) Nut, Hex, Lock, M4 X 0.7, NI, Ss	2
	8	24265	(008000-	) Screw, Pan, M4 X 0.7 X 16, Ss	2
	9	1024500	(008000-	) Hinge Wldt, Shrd, Lh	2
	10	1025196	(008000-	) Hinge Wldt, Shrd, Lh	2
	11	1020186	(008000-	) Bracket, Latch, Cover	1
	12	1017218	(008000-	) Washer, Flat, 0.32b 1.00d .12, Ss	11
	13	16931	(008000-	) Screw, Hex, M8 X 1.25 X 20, 8.8	7
	14	41139	(008000-	) Washer, Lock, Int-Ext, 10	2
	15	1026726	(008000-	) Grill, Eng	1
	16	09200	(008000-	) Screw, Pan, M5 X 0.8 X 12, Ss	2
	17	19066	(008000-	) Washer, Flat, #10	2
	18	222267	(008000-	) Screw, Pan, Phl, 06-20 X 0.50, Fmg/Ab	6
	19	1028412	(008000-	) Bracket, Guide, Shrd	1
	20	1222018	(008000-	) Latch, Door, Yellow	1
	21	06927	(008000-	) Screw, Pan, M4 X 0.7 X 16, 4.8	2
	22	02850	(008000-	) Nut, Hex, Lock, M4 X 0.7, NI	2
	23	1025806	(008000-	) Plate, Seal, Sound	1
	24	09740	(008000-	) Screw, Hex, M8 X 1.25 X 20, Ss	2
	25	1030588	(008000-	) Seal, Afrmkt, Bulb, 90, 0.75d F/11ga 02ft	2
	26	1022005	(008000-	) Cover, Lower	1
	27	1031665	(008000-	) Screw, Pan, M8 X 1.25 X 25, Blk	2

**Fig. 11 – Mitsubishi Engine and Mount Group, Gas**

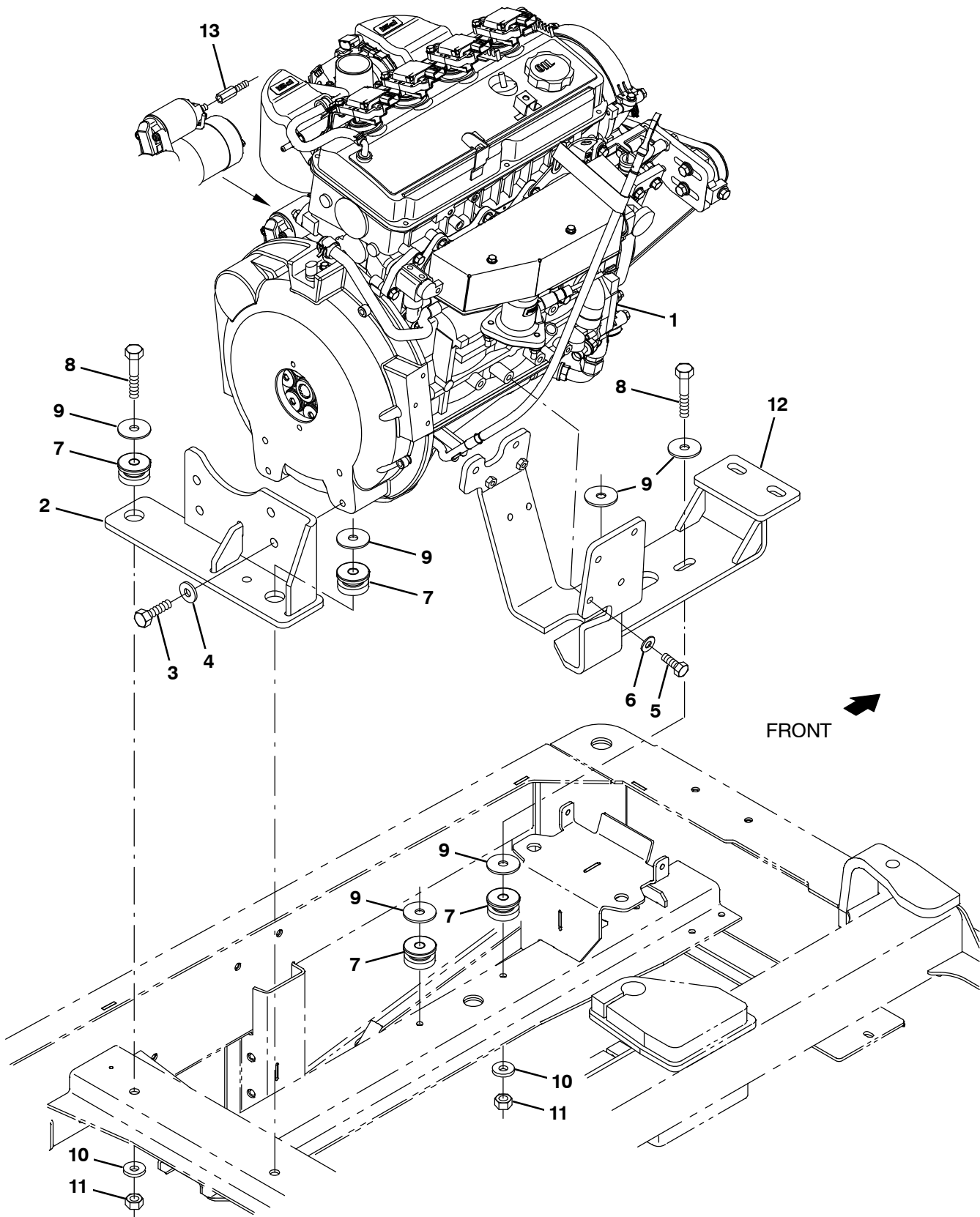


Fig. 11 – Mitsubishi Engine and Mount Group, Gas

Ref.	Part No.	Serial Number	Description	Qty.
1	9014202	(008000–	) Engine, Block, Long [Mits 12mm] (See Engine Breakdown)	1
	393982	(008000–	) Element, Fltr, Oil, Spin–On (Mits)	1
2	1070756	(008000–	) Bracket Wldt, Mtg, Eng, Rear [Mit 2013]	1
3	41346	(008000–	) Screw, Hex, M12 X 1.75 X 30, 8.8	4
4	32486	(008000–	) Washer, Flat, 0.50 Sae	4
5	07299	(008000–	) Screw, Hex, M10 X 1.25 X 25, 8.8	6
6	32492	(008000–	) Washer, Flat, 0.38 Std	6
7	51176	(008000–	) Isolator, Vib, .50d	4
8	06972	(008000–	) Screw, Hex, M12 X 1.75 X 60, 8.8	4
9	04414	(008000–	) Washer, Flat, 0.53b 1.88d .12, Stl, PI	4
10	32493	(008000–	) Washer, Flat, 0.50 Std	3
11	08711	(008000–	) Nut, Hex, Lock, M12 X 1.75, NI	3
12	1070751	(008000–	) Bracket Wldt, Mtg, Engine [Mit 2013]	1
13	1072669	(008000–	) Stand–Off, Hex, M8 X M8, Metal	1

Fig. 12 - Mitsubishi Engine and Mount Group, LPG

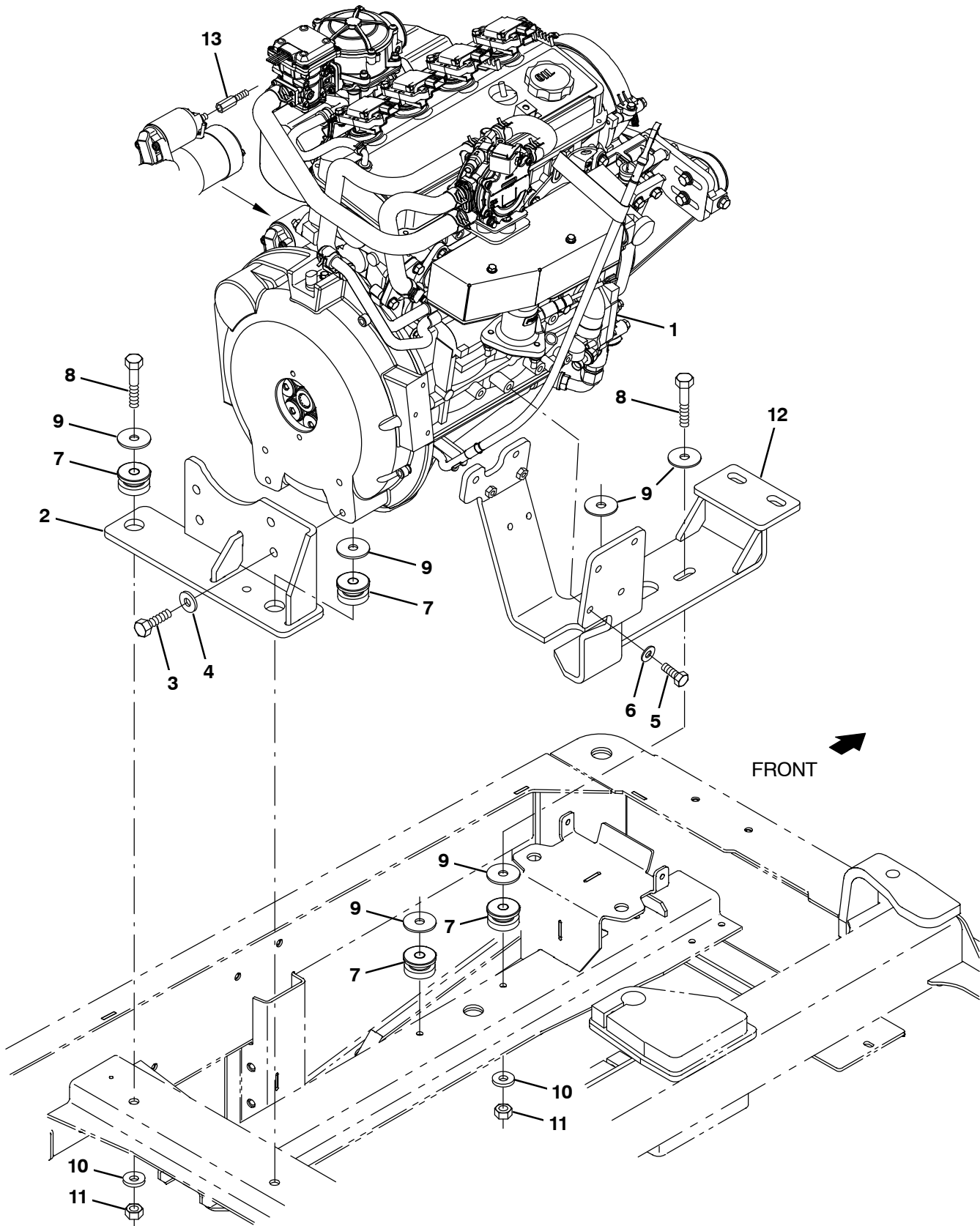


Fig. 12 – Mitsubishi Engine and Mount Group, LPG

Ref.	Part No.	Serial Number	Description	Qty.
1	9014202	(008000–	) Engine, Block, Long [Mits 12mm] (See Engine Breakdown)	1
	393982	(008000–	) Element, Fltr, Oil, Spin–On (Mits)	1
2	1070756	(008000–	) Bracket Wldt, Mtg, Eng, Rear [Mit 2013]	1
3	41346	(008000–	) Screw, Hex, M12 X 1.75 X 30, 8.8	4
4	32486	(008000–	) Washer, Flat, 0.50 Sae	4
5	07299	(008000–	) Screw, Hex, M10 X 1.25 X 25, 8.8	6
6	32492	(008000–	) Washer, Flat, 0.38 Std	6
7	51176	(008000–	) Isolator, Vib, .50d	4
8	06972	(008000–	) Screw, Hex, M12 X 1.75 X 60, 8.8	4
9	04414	(008000–	) Washer, Flat, 0.53b 1.88d .12, Stl, Pl	4
10	32493	(008000–	) Washer, Flat, 0.50 Std	3
11	08711	(008000–	) Nut, Hex, Lock, M12 X 1.75,NI	3
12	1070751	(008000–	) Bracket Wldt, Mtg, Engine [Mit 2013]	1
13	1072669	(008000–	) Stand–Off, Hex, M8 X M8, Metal	1

**Fig. 13 – Mitsubishi Engine EFI Group, Gasoline**

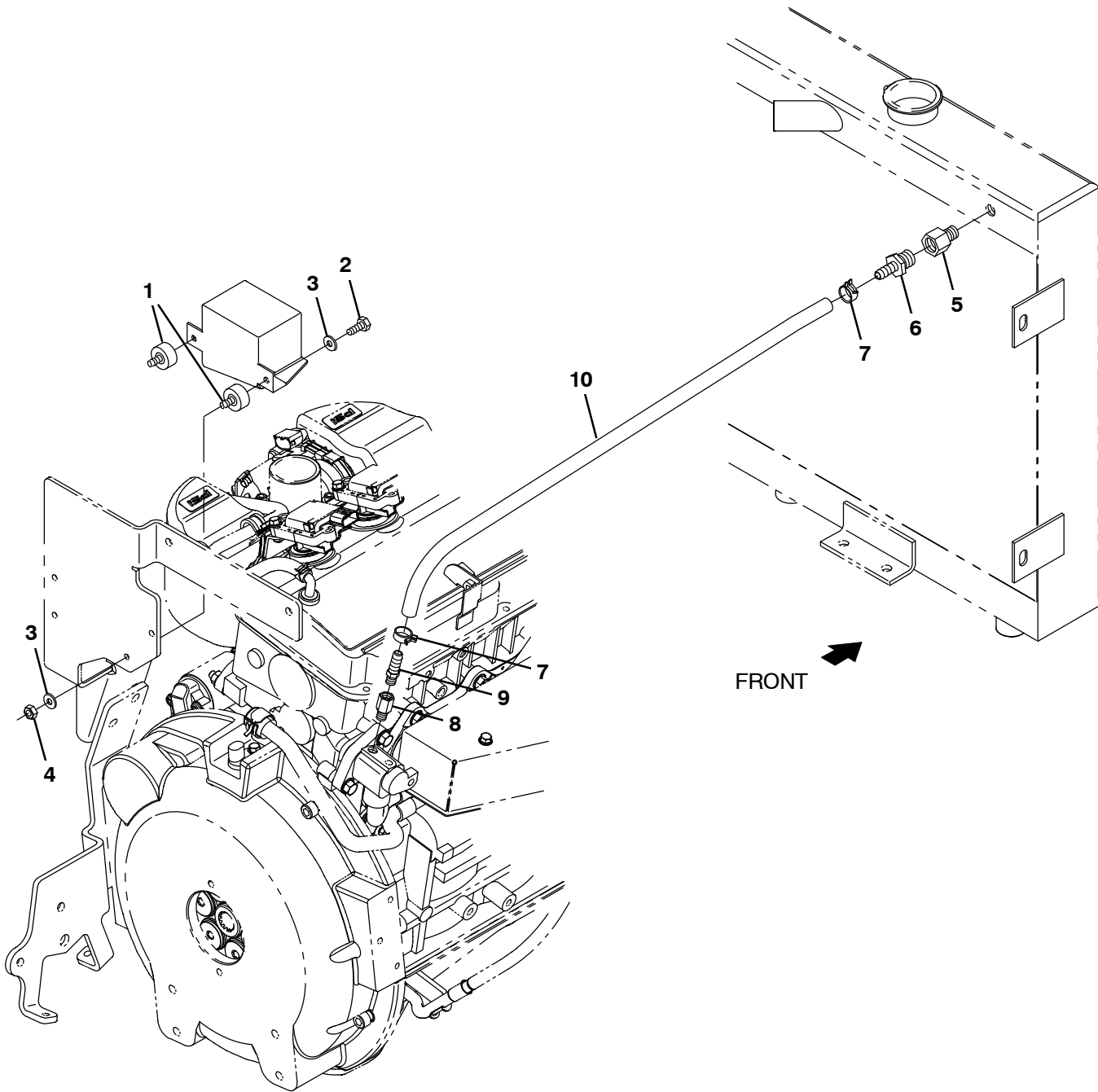


Fig. 13 – Mitsubishi Engine EFI Group, Gasoline

Ref.	Part No.	Serial Number	Description	Qty.
1	372470	(008000–	) Isolator, Box, Relay	2
2	19315	(008000–	) Screw, Hex, .25–20 X 0.50, G5	2
3	32490	(008000–	) Washer, Flat, 0.25, Std	4
4	19312	(008000–	) Nut, Hex, Std, .25–20	2
5	1071440	(008000–	) Fitting, Brs, Str, Pf06/Pm04	1
6	36159	(008000–	) Fitting, Brs, Str, Bm06/Pm06	1
7	1072559	(008000–	) Clamp, Hose, Spring Stl, 0.58d X 0.31w	2
8	1071502	(008000–	) Fitting, Brs, Str, Pf02/Pm02 [Bspt]	1
9	1055552	(008000–	) Fitting, Brs, Str, Bm06/Pm02	1
10	1072408	(008000–	) Hose, Afmkt, Rbr, Heater, 0.38id, 03ft	1

Fig. 14 – Mitsubishi Engine EFI Group, LPG

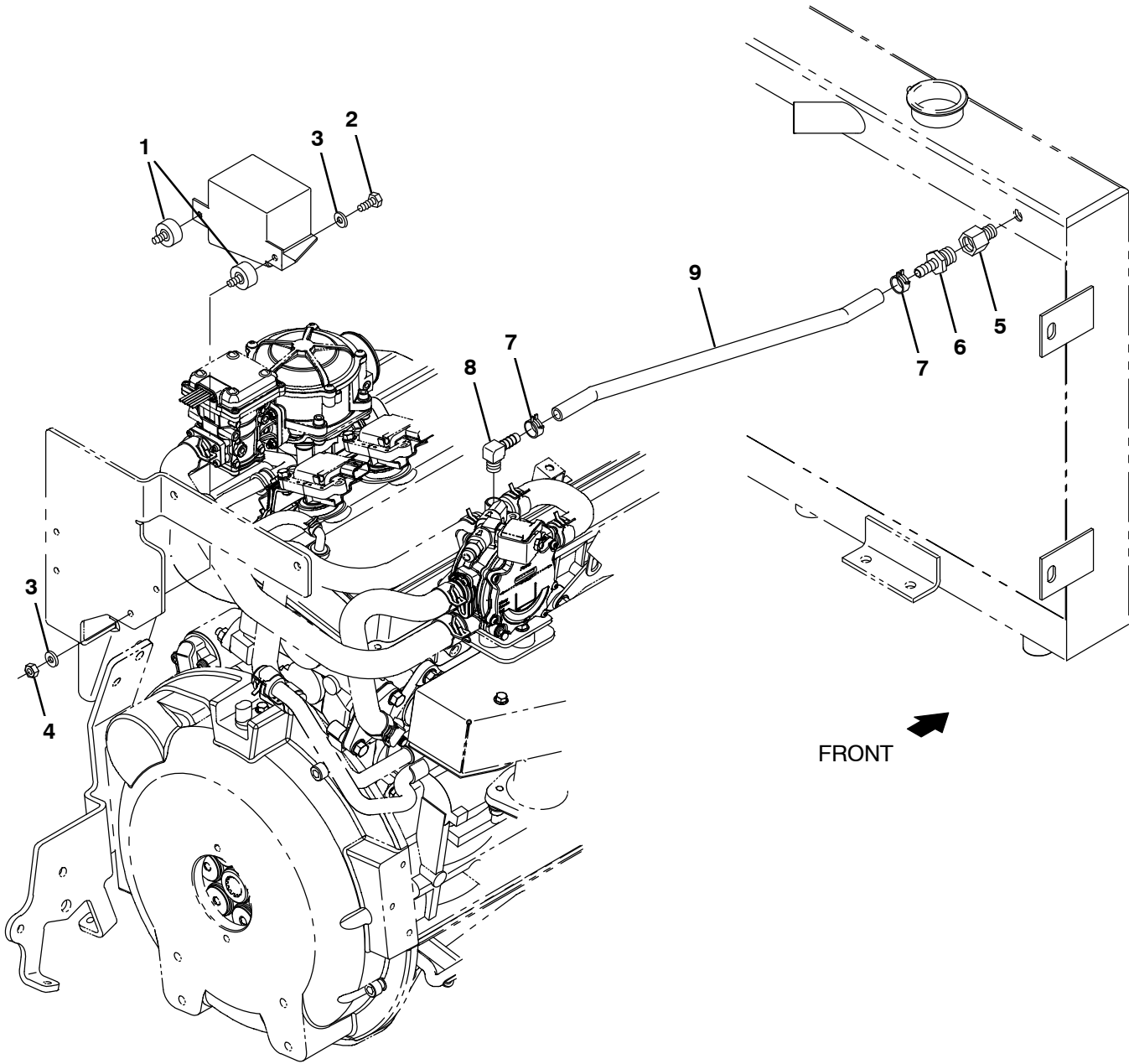




Fig. 14 – Mitsubishi Engine EFI Group, LPG

Ref.	Part No.	Serial Number	Description	Qty.
1	372470	(008000–	) Isolator, Box, Relay	2
2	19315	(008000–	) Screw, Hex, .25–20 X 0.50, G5	2
3	32490	(008000–	) Washer, Flat, 0.25, Std	4
4	19312	(008000–	) Nut, Hex, Std, .25–20	2
5	1071440	(008000–	) Fitting, Brs, Str, Pf06/Pm04	1
6	36159	(008000–	) Fitting, Brs, Str, Bm06/Pm06	1
7	1072559	(008000–	) Clamp, Hose, Spring Stl, 0.58d X 0.31w	2
8	1015815	(008000–	) Fitting, Brs, E90, Bm06/Pm04	1
9	1072408	(008000–	) Hose, Afmkt, Rbr, Heater, 0.38id, 03ft	1

Fig. 15 – Mitsubishi Engine Air Cleaner Group, Gasoline

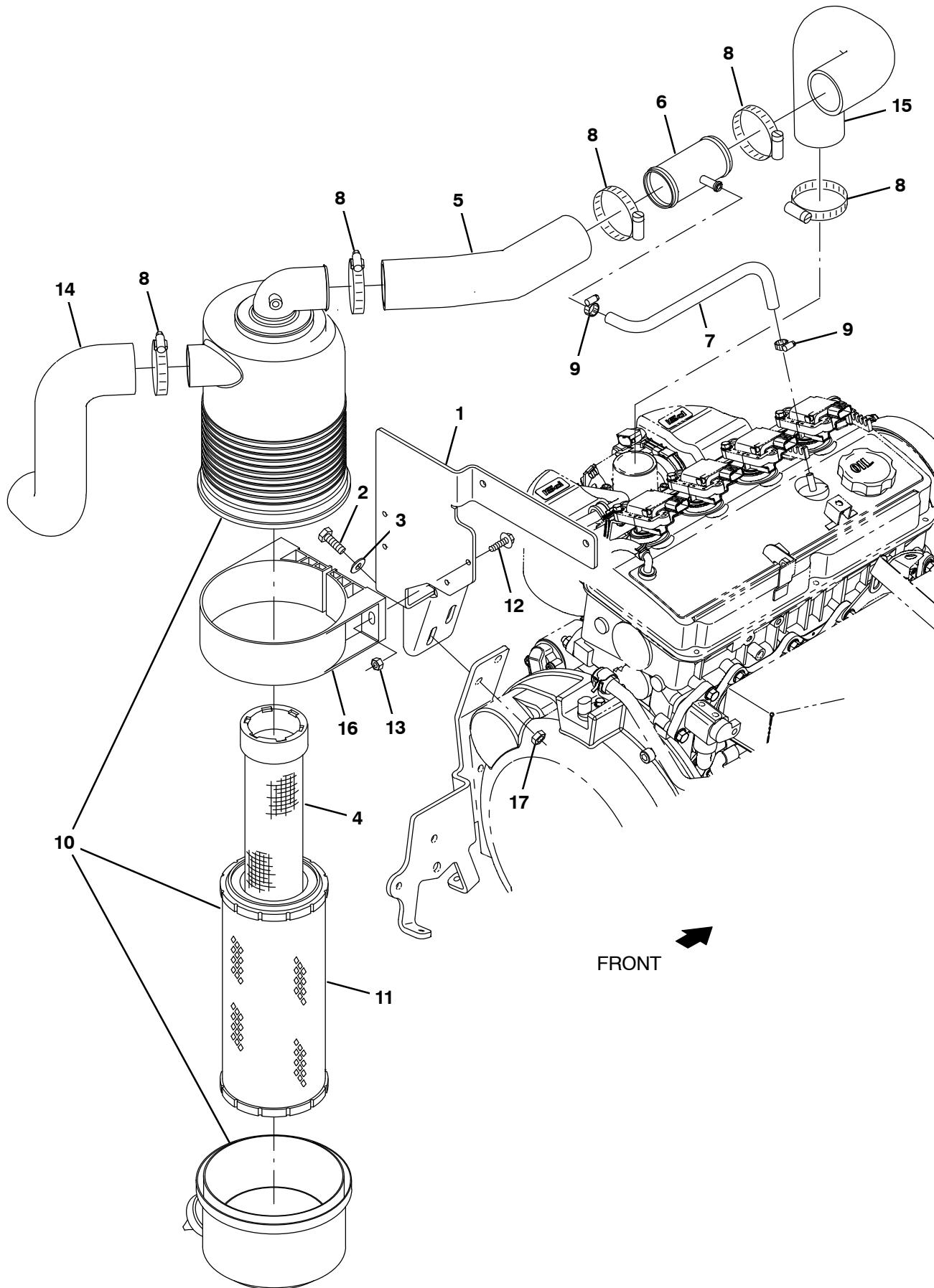


Fig. 15 – Mitsubishi Engine Air Cleaner Group, Gasoline

Ref.	Part No.	Serial Number	Description	Qty.	
1	1070822	(008000–	) Bracket, Mtg, Fltr, Air [Mit 2013]	1	
2	39277	(008000–	) Screw, Hex, M8 X 1.25 X 25, 8.8	2	
3	32491	(008000–	) Washer, Flat, 0.31, Std	2	
4	398279	(008000–	) Element, Fltr, Air, Safety (OPTION)	1	
5	1070788	(008000–	) Hose, Intake, Mold [Epdm Mit 2013]	1	
6	1070833	(008000–	) Tube Wldt, Tee [Mit 2013]	1	
7	381391	(008000–	) Hose, Drain, Overflow, Radiator [1pick=1ft]	1	
8	14432	(008000–	) Clamp, Hose, Wormdrive, 1.81–2.75d, .50w	5	
9	54333	(008000–	) Clamp, Hose, Wormdrive, 0.31–0.88d, .31w	2	
▽	10	369745	(008000–	) Filter Assy, Air	1
▲	11	369746	(008000–	) Element, Fltr, Air [Dn]	1
	12	1036892	(008000–	) Screw, Hex, M6 X 1.00 X 25, 9.8 Sems	2
	13	08708	(008000–	) Nut, Hex, Lock, M6 X 1.00, NI	2
	14	1020949	(008000–	) Hose, Intake, Mold, 2.00id [Epdm]	1
	15	1071404	(008000–	) Hose, Intake, Mold, Gas [Epdm Mit 2013]	1
	16	369747	(008000–	) Clamp, Mtg, Fltr, Air	1
	17	08709	(008000–	) Nut, Hex, Lock, M8 X 1.25, NI	2

Fig. 16 – Mitsubishi Engine Air Cleaner Group, LPG

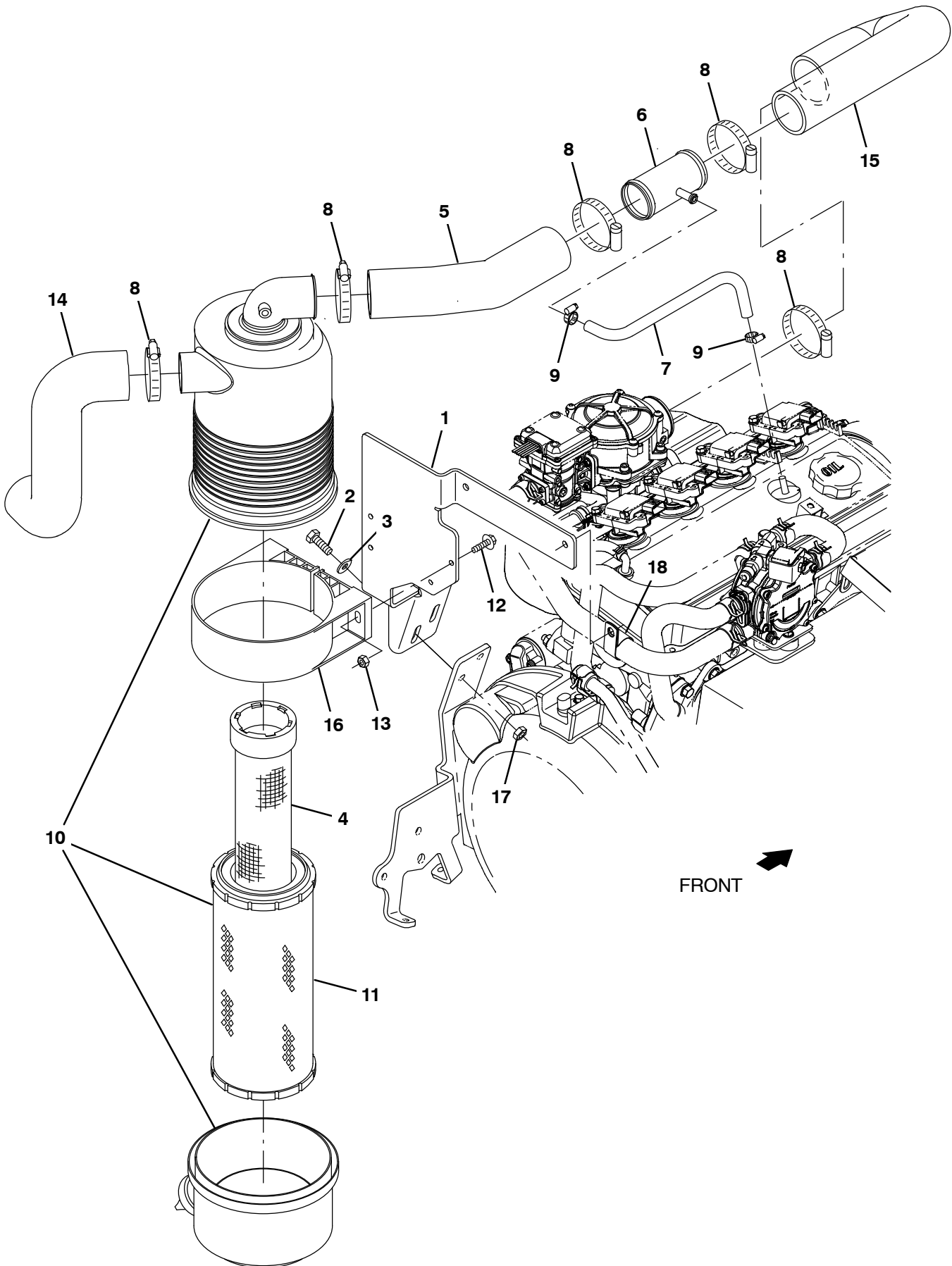


Fig. 16 – Mitsubishi Engine Air Cleaner Group, LPG

Ref.	Part No.	Serial Number	Description	Qty.	
1	1070822	(008000–	) Bracket, Mtg, Fltr, Air [Mit 2013]	1	
2	39277	(008000–	) Screw, Hex, M8 X 1.25 X 25, 8.8	2	
3	32491	(008000–	) Washer, Flat, 0.31, Std	2	
4	398279	(008000–	) Element, Fltr, Air, Safety (OPTION)	1	
5	1070788	(008000–	) Hose, Intake, Mold [Epdm Mit 2013]	1	
6	1070833	(008000–	) Tube Wldt, Tee [Mit 2013]	1	
7	381391	(008000–	) Hose, Drain, Overflow, Radiator [1pick=1ft]	1	
8	14432	(008000–	) Clamp, Hose, Wormdrive, 1.81–2.75d, .50w	5	
9	54333	(008000–	) Clamp, Hose, Wormdrive, 0.31–0.88d, .31w	2	
▽	10	369745	(008000–	) Filter Assy, Air	1
▲	11	369746	(008000–	) Element, Fltr, Air [Dn]	1
	12	1036892	(008000–	) Screw, Hex, M6 X 1.00 X 25, 9.8 Sems	2
	13	08708	(008000–	) Nut, Hex, Lock, M6 X 1.00, NI	2
	14	1020949	(008000–	) Hose, Intake, Mold, 2.00id [Epdm]	1
	15	1070787	(008000–	) Hose, Intake, Mold, Lpg [Epdm Mit2013]	1
	16	369747	(008000–	) Clamp, Mtg, Fltr, Air	1
	17	08709	(008000–	) Nut, Hex, Lock, M8 X 1.25, NI	2
	18	69234	(008000–	) Clamp, Cable, Stl, 1.00d X 0.75w, 1hole	1

**Fig. 17 – Mitsubishi Engine Alternator and Fan Group**

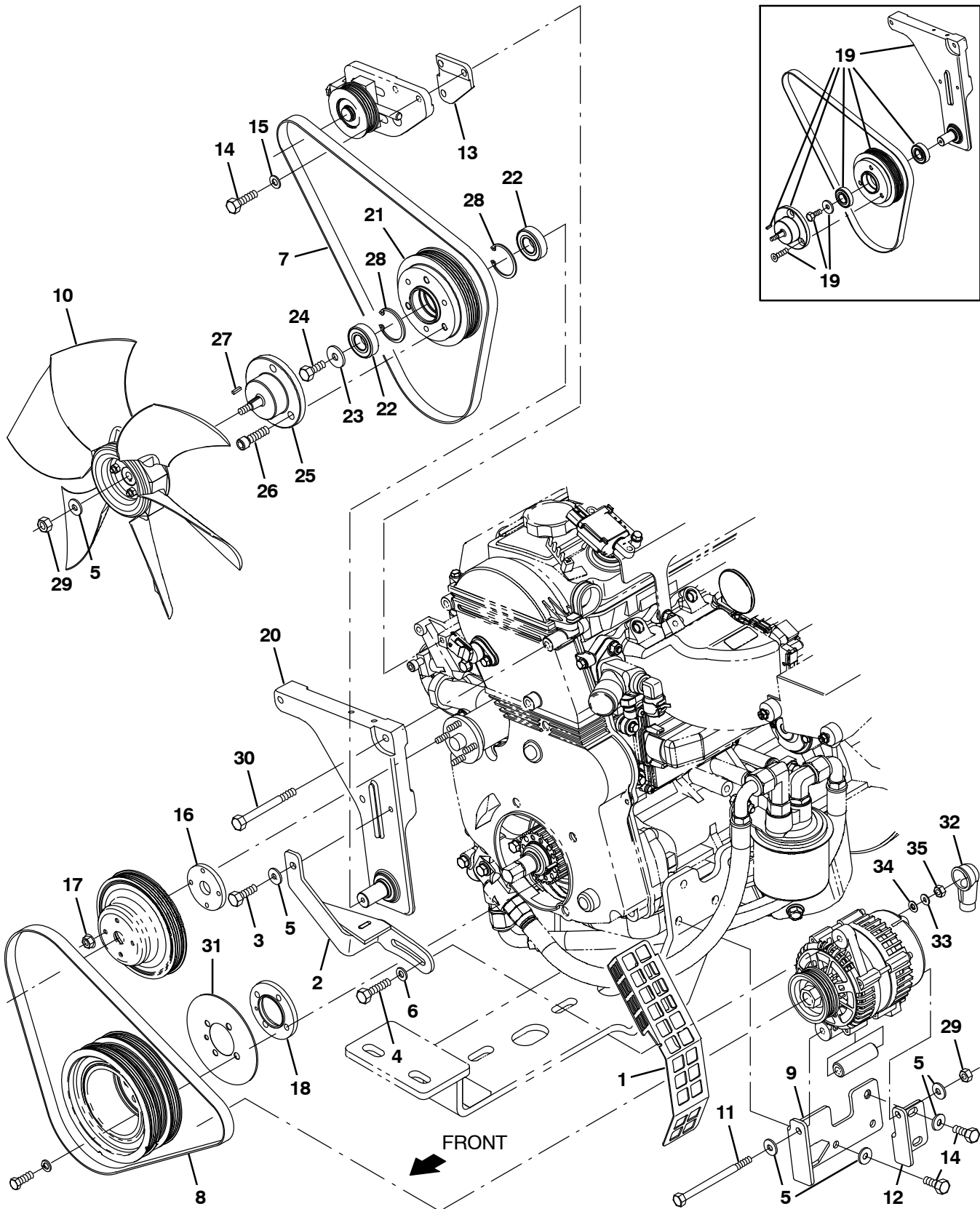


Fig. 17 – Mitsubishi Engine Alternator and Fan Group

Ref.	Part No.	Serial Number	Description	Qty.
1	1071727	(008000–	) Guard, Fan, Side	1
2	1070890	(008000–	) Arm Wldt, Alternator [Mit 2013]	1
3	16931	(008000–	) Screw, Hex, M8 X 1.25 X 20, 8.8	1
4	04375	(008000–	) Screw, Hex, M8 X 1.25 X 40, 8.8, FI	1
5	32491	(008000–	) Washer, Flat, 0.31, Std	7
6	41186	(008000–	) Washer, Flat, Belleville, .31	1
7	1071144	(008000–	) Belt, Ribbed, Fan, 42.13l	1
8	1071145	(008000–	) Belt, Ribbed, Alternator, 41.5l	1
9	1070764	(008000–	) Bracket Wldt, Alternator [Mit13]	1
10	1031566	(008000–	) Fan, Cooling, 14.1d, 6 Blade, 0.5b Taper	1
11	49883	(008000–	) Screw, Hex, M8 X 1.25 X 120, 8.8, FI	1
12	1070619	(008000–	) Bracket, Mtg, Alternator [Mit 2013]	1
13	1071107	(008000–	) Block, Spacer	1
14	76570	(008000–	) Screw, Hex, M8 X 1.25 X 30, 8.8	5
15	39349	(008000–	) Washer, Flat, 0.31, Sae	2
16	1071108	(008000–	) Spacer, Pump, Water	1
17	07790	(008000–	) Nut, Hex, Flng, M6 X 1.00	4
18	1071110	(008000–	) Spacer, Crankshaft	1
19	9014423	(008000–010387	) Sheave Kit, Repair [Mit 2.0l]	1
20	1073529	(010388–	) Plate Wldt, Shaft, Fan [Shaft Extended]	1
21	1070426	(010388–	) Sheave, Mach [Mit 2615rpm Fan]	1
22	1055377	(010388–	) Bearing, Ball, 20mm B 42mm D 12mm W	2
23	1017218	(010388–	) Washer, Flat, 0.32b 1.00d .12, Ss	1
24	16735	(010388–	) Screw, Hex, M8 X 1.25 X 16, 8.8	1
25	1070431	(010388–	) Spacer, Fan, Taper [Mit 2013]	1
26	10831	(010388–	) Screw, Soc, .38–16 X 1.25, Al	3
27	00960	(010388–	) Key, Sq, 0.12 X 0.12, 0.50l	1
28	1074849	(010388–	) Ring, Retaining, Int, 42mm	2
29	08709	(008000–	) Nut, Hex, Lock, M8 X 1.25, NI	2
30	39281	(008000–	) Screw, Hex, M8 X 1.25 X 90, 8.8	3
31	1072421	(008000–	) Plate, Shield, Dust	1
32	1016314	(008000–	) Boot, Bulb, .50id 1.00id 2.50l, Red	1
33	19066	(008000–	) Washer, Flat, 0.25b 0.56d .05, Pl, 10	1
34	32982	(008000–	) Washer, Lock, Int, 0.25	1
35	08708	(008000–	) Nut, Hex, Lock, M6 X 1.00, NI	1

Fig. 18 – Mitsubishi Engine Muffler Group

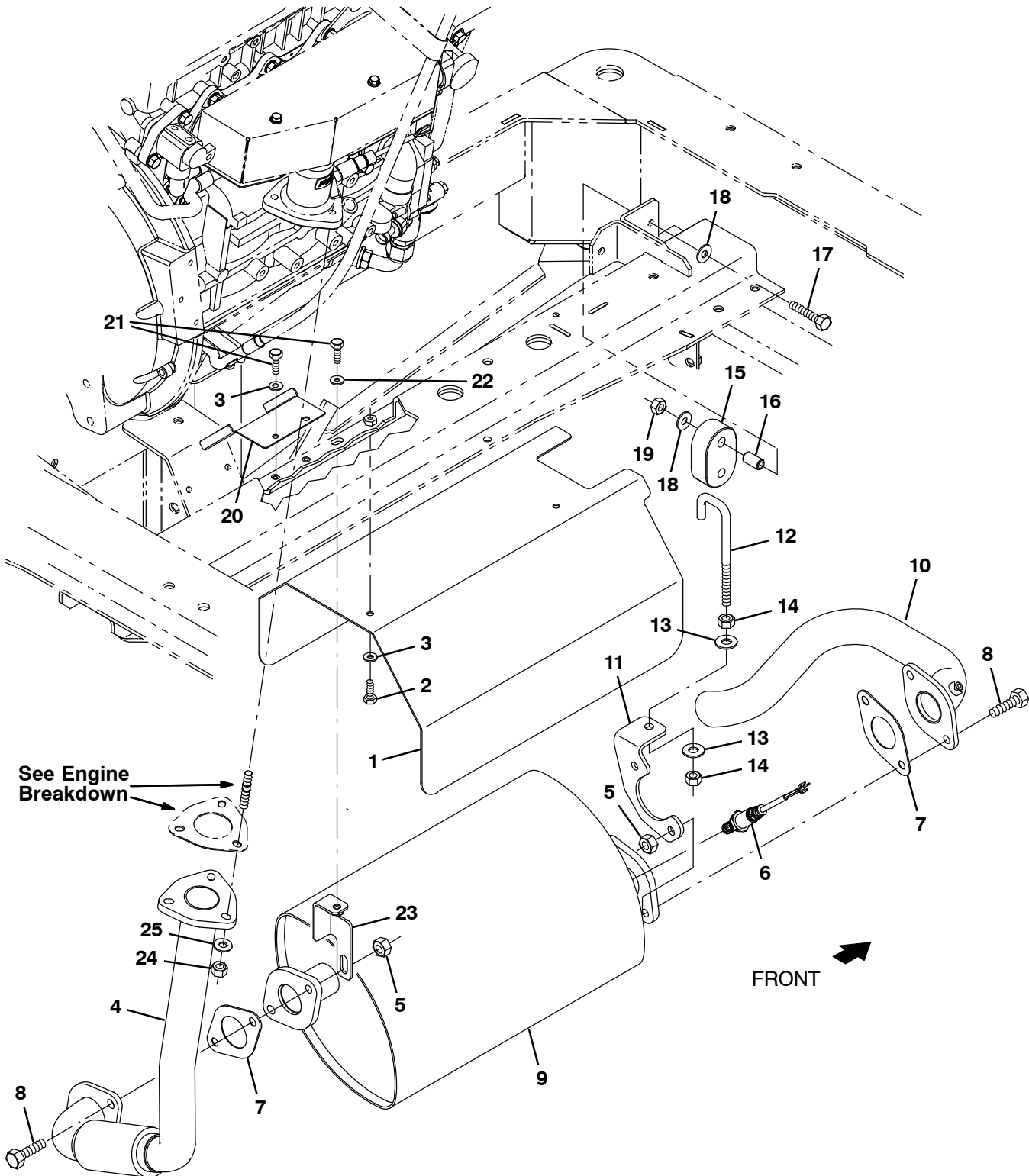




Fig. 18 – Mitsubishi Engine Muffler Group

Ref.	Part No.	Serial Number	Description	Qty.
1	1028994	(008000–	) Channel, Shield, Muffler [M20/T20 2007]	1
2	08716	(008000–	) Screw, Hex, M6 X 1.0 X 20, Ss	2
3	32483	(008000–	) Washer, Flat, 0.25, Sae	4
4	9013159	(008000–	) Pipe Kit, Exhaust, Replmt [Mako Mitsu]	1
5	08166	(008000–	) Nut, Hex, M10 X 1.50 [Stover]	4
6	1028558	(008000–	) Sensor, Oxygen	1
7	1011216	(008000–	) Gasket, Exhaust, 2hole, 3.4bc	2
8	39284	(008000–	) Screw, Hex, M10 X 1.5 X 35, 8.8	4
9	1071376	(008000–	) Muffler, Catalytic [Mit 2.0l 2013]	1
10	1028753	(008000–	) Tube, Exhaust, Flng, 1.5d [M20/T20 2007]	1
11	1028929	(008000–	) Bracket, Mtg, Muffler [M20/T20 2007]	1
12	1013117	(008000–	) Rod, Hanger, Isolator	1
13	32492	(008000–	) Washer, Flat, 0.38, Std	2
14	25014	(008000–	) Nut, Hex, Std, .38–16	2
15	1013031	(008000–	) Isolator, Rbr	1
16	222496	(008000–	) Sleeve, P/M, 0.31b 0.50d 0.9l [430ss]	1
17	222505	(008000–	) Screw, Hex, M8 X 1.25 X 45, Ss	1
18	01685	(008000–	) Washer, Flat, 0.38b 0.88d .08, Ss	2
19	08713	(008000–	) Nut, Hex, Lock, M8 X 1.25, NI, Ss	1
20	1071418	(008000–	) Shield, Tray, Drip [Mit 2013]	1
21	06943	(008000–	) Screw, Hex, M6 X 1.00 X 20, 8.8	3
22	32490	(008000–	) Washer, Flat, 0.25, Std	1
23	1071113	(008000–	) Bracket, Muffler	1
24	08165	(008000–	) Nut, Hex, Stover, M8	3
25	39349	(008000–	) Washer, Flat, 0.31, Sae	3

Fig. 19 – Mitsubishi Engine Radiator and Mount Group

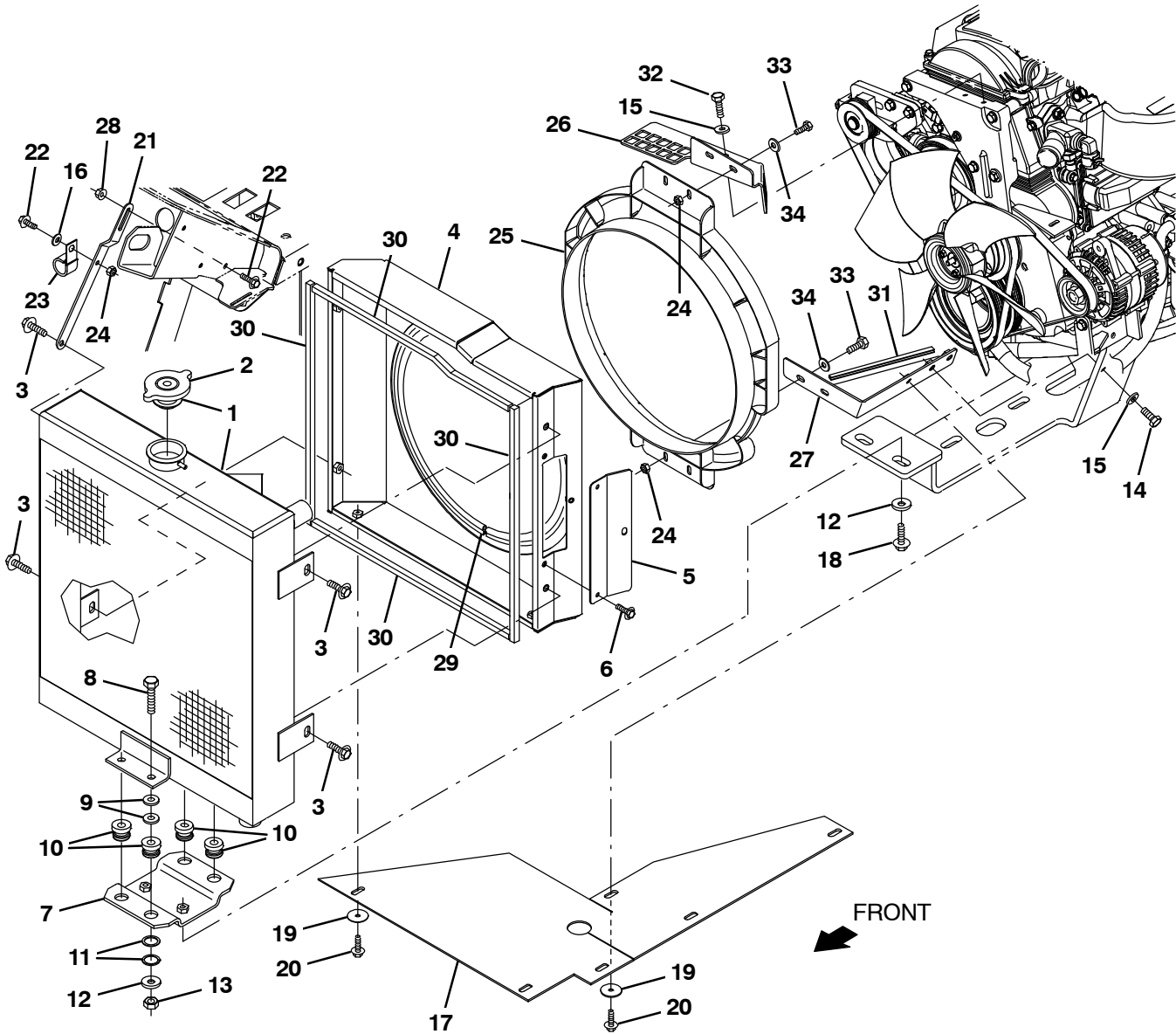


Fig. 19 – Mitsubishi Engine Radiator and Mount Group

Ref.	Part No.	Serial Number	Description	Qty.
▽	1	1249770	(008000– ) Radiator, W/Hyd Cooler [Afmkt]	1
▲	2	1045764	(008000– ) Cap, Radiator, 14Psi [Stant]	1
	3	1037346	(008000– ) Screw, Hex, M8 X 1.25 X 25, 9.8, Sems	4
	4	9010096	(008000– ) Shrd Wldt,Fan,G/Lp, Replmt [M20/M30/T20]	1
	4	9010097	(008000– ) Shrd Wldt,Fan,G/Lp, Replmt [TJ] (Japan Only)	1
	5	1070955	(008000– ) Plate, Door, Clean-Out [Mit2013]	1
	6	1036892	(008000– ) Screw, Hex, M6 X 1.00 X 25, 9.8 Sems	3
	7	1046962	(008000– ) Bracket, Mtg, Radiator	1
	8	06962	(008000– ) Screw, Hex, M10 X 1.50 X 45, 8.8	4
	9	32492	(008000– ) Washer, Flat, 0.38, Std	8
	10	54274	(008000– ) Isolator, Vib, Bshg, 1.1d 0.6l .4b 0.78h	4
	11	09832	(008000– ) Washer, Flat, 0.81b 1.06d .06, Stl	8
	12	1014563	(008000– ) Washer, Flat, 0.40b 1.12d .12, Ss	4
	13	41430	(008000– ) Nut, Hex, Lock, M10 X 1.5, NI	4
	14	39277	(008000– ) Screw, Hex, M8 X 1.25 X 25, 8.8	2
	15	32491	(008000– ) Washer, Flat, 0.31, Std	7
	16	32490	(008000– ) Washer, Flat, 0.25, Std	2
	17	1071785	(008000– ) Skirt, Eng Fan, Gas / Lp	1
	18	1037355	(008000– ) Screw, Hex, M8 X 1.25 X 35, 9.8, Sems	2
	19	41178	(008000– ) Washer, Flat, 0.25, Fendr	7
	20	1036892	(008000– ) Screw, Hex, M6 X 1.00 X 25, 9.8 Sems	7
	21	1019968	(008000– ) Bracket, Mtg, Radiator	1
	22	1040467	(008000– ) Screw, Hex, M6 X 1.00 X 20, 9.8, Sems	2
	23	30407	(008000– ) Clip, Keeper, Open	1
	24	08708	(008000– ) Nut, Hex, Lock, M6 X 1.00, NI	5
	25	1054428	(008000– ) Shroud, Fan	1
	26	1070434	(008000– ) Bracket, Shrd, Fan, Upper, Sppt, G/Lpg	1
	27	1070860	(008000– ) Bracket, Shrd, Fan, Lower, Sppt, G/Lpg	1
	28	07790	(008000– ) Nut, Hex, FIng, M6 X 1.00	1
	29	1048166	(008000– ) Seal, Afmkt, Bulb, Str, 0.58d 08ft	1
	30	1015205	(008000– ) Seal, Afmkt, Ure, Adh, 0.38, 0.38w 02ft	4
	31	57569	(008000– ) Molding, Trim, Pvc, .08-.11 06.8l	1
	32	16931	(008000– ) Screw, Hex, M8 X 1.25 X 20, 8.8	2
	33	06943	(008000– ) Screw, Hex, M6 X 1.00 X 20, 8.8	4
	34	32483	(008000– ) Washer, Flat, 0.25, Sae	4

Fig. 20 – Mitsubishi Engine Radiator Hose Group

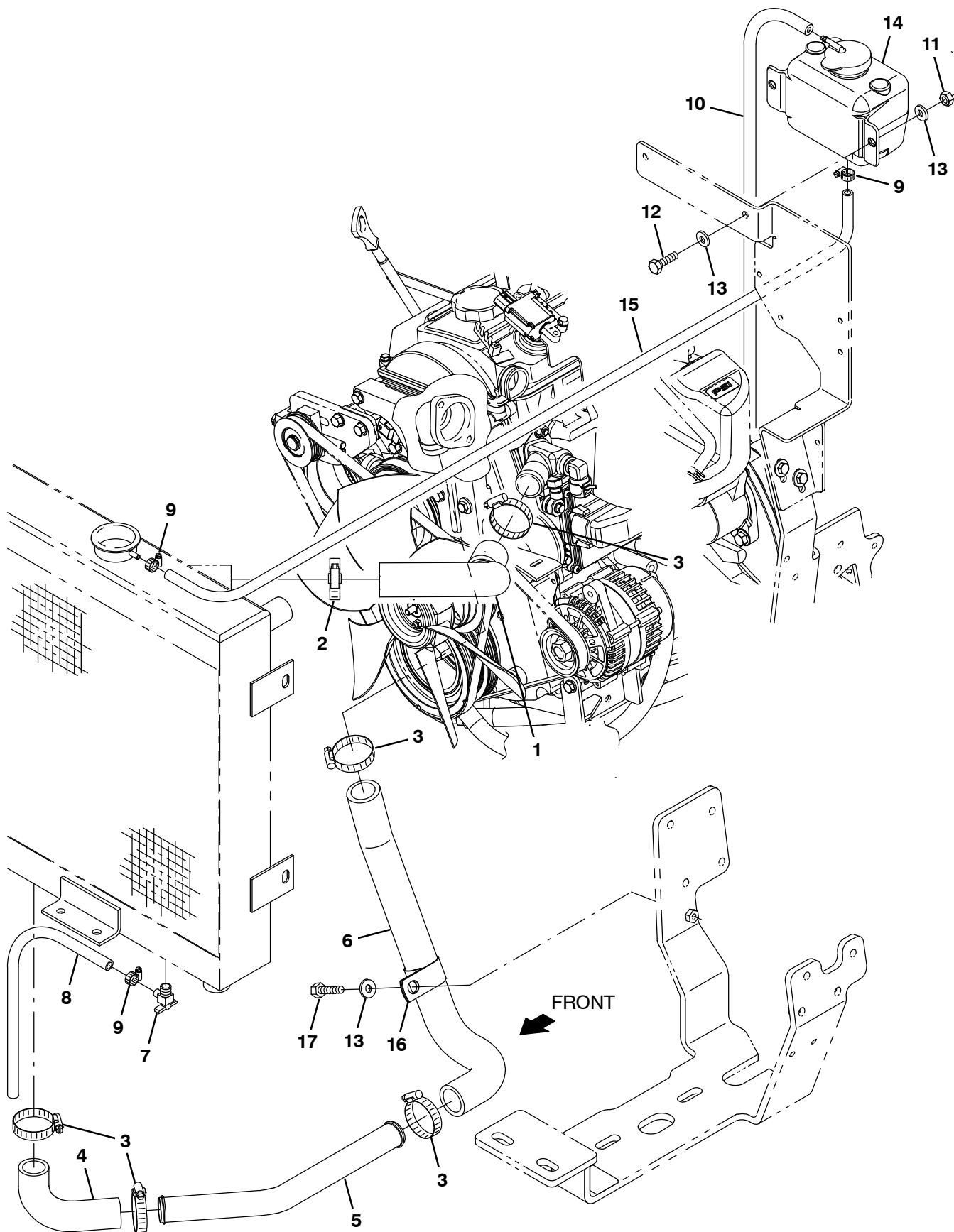


Fig. 20 – Mitsubishi Engine Radiator Hose Group

Ref.	Part No.	Serial Number	Description	Qty.
1	1070732	(008000–	) Hose, Coolant, Upper, Mold [Mit 2013]	1
2	22297	(008000–	) Clamp, Hose, Wormdrive, 1.56–2.50d, .50w	1
3	79381	(008000–	) Clamp, Hose, Wormdrive, 1.25–2.00d, .50w	5
4	1007482	(008000–	) Hose, Rbr, E90, 1.25id 1.25id 04.2 03.1	1
5	1071099	(008000–	) Tube, Coolant, 1.3d, Lower [Mit 2013]	1
6	9010904	(008000–	) Hose Kit, Coolant, Replmt [Mitsubishi}	1
7	51305	(008000–	) Fitting, Draincock, E90, .25npt	1
8	73471	(008000–	) Hose, Pvc, Clr, 0.38id 0.56od 022.0l	1
9	43844	(008000–	) Clamp, Hose, Wormdrive, 0.25–0.62d, .31w	3
10	87738	(008000–	) Hose, Fuel, 0.18id, 29.0l	1
11	08709	(008000–	) Nut, Hex, Lock, M8 X 1.25, NI	2
12	39277	(008000–	) Screw, Hex, M8 X 1.25 X 25, 8.8	2
13	32491	(008000–	) Washer, Flat, 0.31, Std	5
14	1054382	(008000–	) Tank, Coolant, 03.6w 04.1hi 05.5l, 1liter	1
15	1014843	(008000–	) Hose, Afmkt, Coolant Recvy, 05ft	1
16	53466	(008000–	) Clamp, Cable, Stl, 1.50d X 1.00w, 1hole	1
17	16931	(008000–	) Screw, Hex, M8 X 1.25 X 20, 8.8	1

**Fig. 21 - Engine Fuel Tank Group, Gasoline**

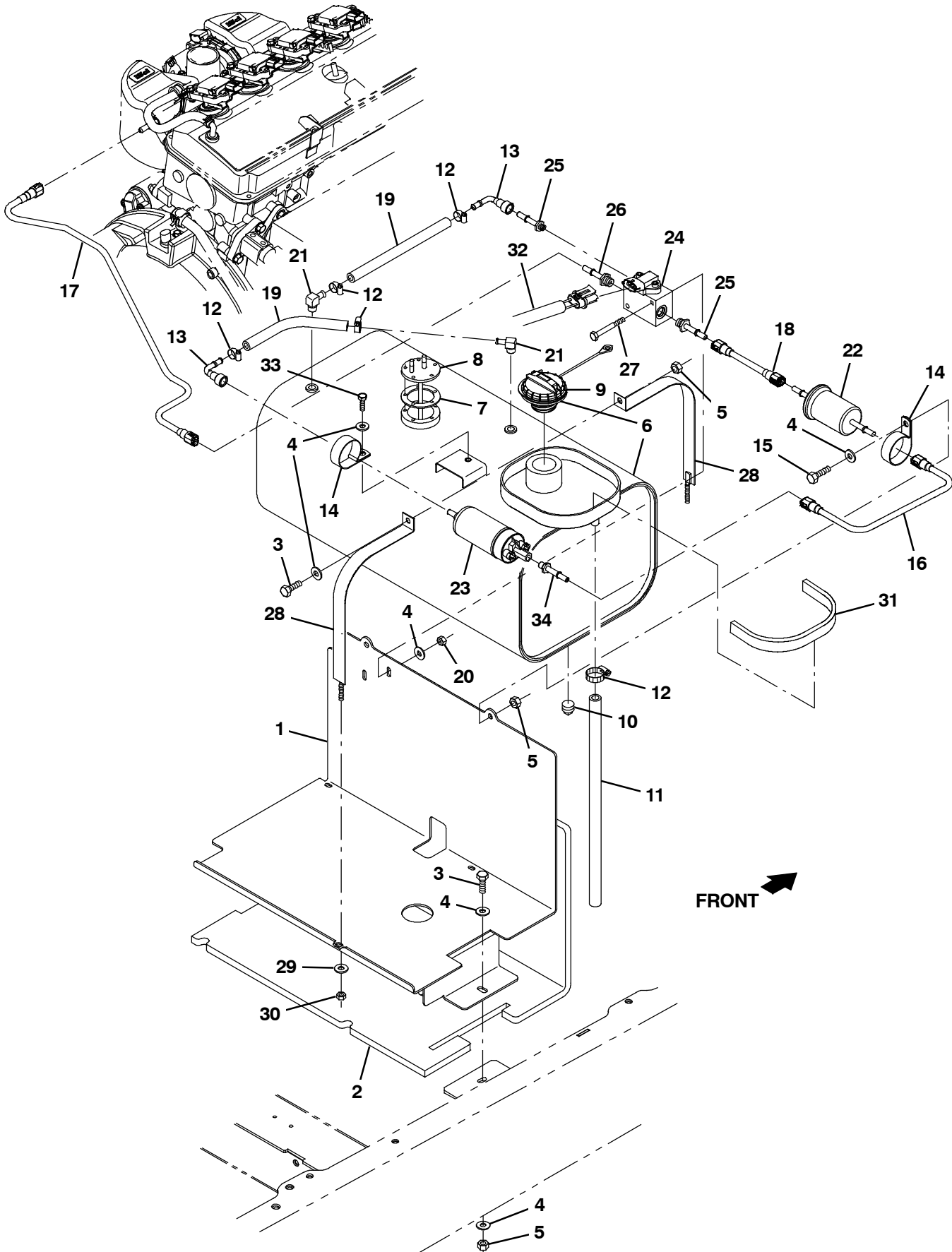


Fig. 21 - Engine Fuel Tank Group, Gasoline

Ref.	Part No.	Serial Number	Description	Qty.	
1	1026550	(008000-	) Tray Wildt, Fuel	1	
2	1026759	(008000-	) Insulation, Flame- Retardant, 0.5	1	
3	39277	(008000-	) Screw, Hex, M8 X 1.25 X 25, 8.8	3	
4	32491	(008000-	) Washer, Flat, 0.31, Std	7	
5	08709	(008000-	) Nut, Hex, Lock, M8 X 1.25, NI	4	
▽	6	9003610	(008000-	) Tank, Fuel, 11.2gal, Gas, Replmt [2007]	1
▲	7	1033897	(008000-	) Gasket, Sender, Fuel	1
▲	8	1033901	(008000-	) Send- Unit, Fuel [2007]	1
▲	9	1032812	(008000-	) Cap, Fuel, Tank	1
▲	10	48126	(008000-	) Fitting, Pipe, Plug, Pm02, Sq Head	1
	11	1023482	(008000-	) Hose, Fuel, 0.50id, 21.0l	1
	12	54333	(008000-	) Clamp, Hose, Wormdrive, 0.31-0.88d, .31w	5
	13	1013086	(008000-	) Connector, Fuel, Qf	2
	14	1011895	(008000-	) Clamp, Cable, Stl, 2.00d X 0.75w, 1hole	2
	15	06956	(008000-	) Screw, Hex, M8 X 1.25 X 45, 8.8	2
	16	1034676	(008000-	) Fuelline, .31d Str/Str,Plstc[M20/T20 07]	1
	17	1071388	(008000-	) Fuelline, .31d Str/Str, Plstc [Mit 2013]	1
	18	1012248	(008000-	) Fuelline, .31d Str/Str, Plstc	1
	19	1033746	(008000-	) Hose, Fuel, 0.31id [Evap Emission 07]	2
	20	08708	(008000-	) Nut, Hex, Lock, M6 X 1.00, NI	2
	21	9000355	(008000-	) Fitting, Brs, E90, Em05/Pm04	2
	22	372440	(008000-	) Filter, Fuel [Gm 1.6l/3.0l]	1
	23	9006592	(008000-	) Pump, Fuel	1
	24	1028924	(008000-	) Manifold, Gas, Relief, Valve	1
	25	1029293	(008000-	) Fitting, Fuel, Str, 0.56- 18 [07 Eng]	2
	26	1029295	(008000-	) Fitting, Fuel, Str, 0.38- 24 [07 Eng]	1
	27	06949	(008000-	) Screw, Hex, M6 X 1.0 X 50, 8.8	2
	28	1025229	(008000-	) Strap, Tank, Gas	2
	29	32483	(008000-	) Washer, Flat, 0.25, Sae	2
	30	32981	(008000-	) Nut, Hex, Lock, .25- 20, NI	2
	31	62595- 15	(008000-	) Molding, Trim, Pvc, .08- .11 13.2l	1
	32	385009	(008000-	) Harness, Manifold, Gas	1
	33	16931	(008000-	) Screw, Hex, M8 X 1.25 X 20, 8.8	1
	34	9019145	(008000-	) Fitting, Fuel, Str, M10x1.0	1

**Fig. 22 – Engine Fuel Tank Group, LPG**

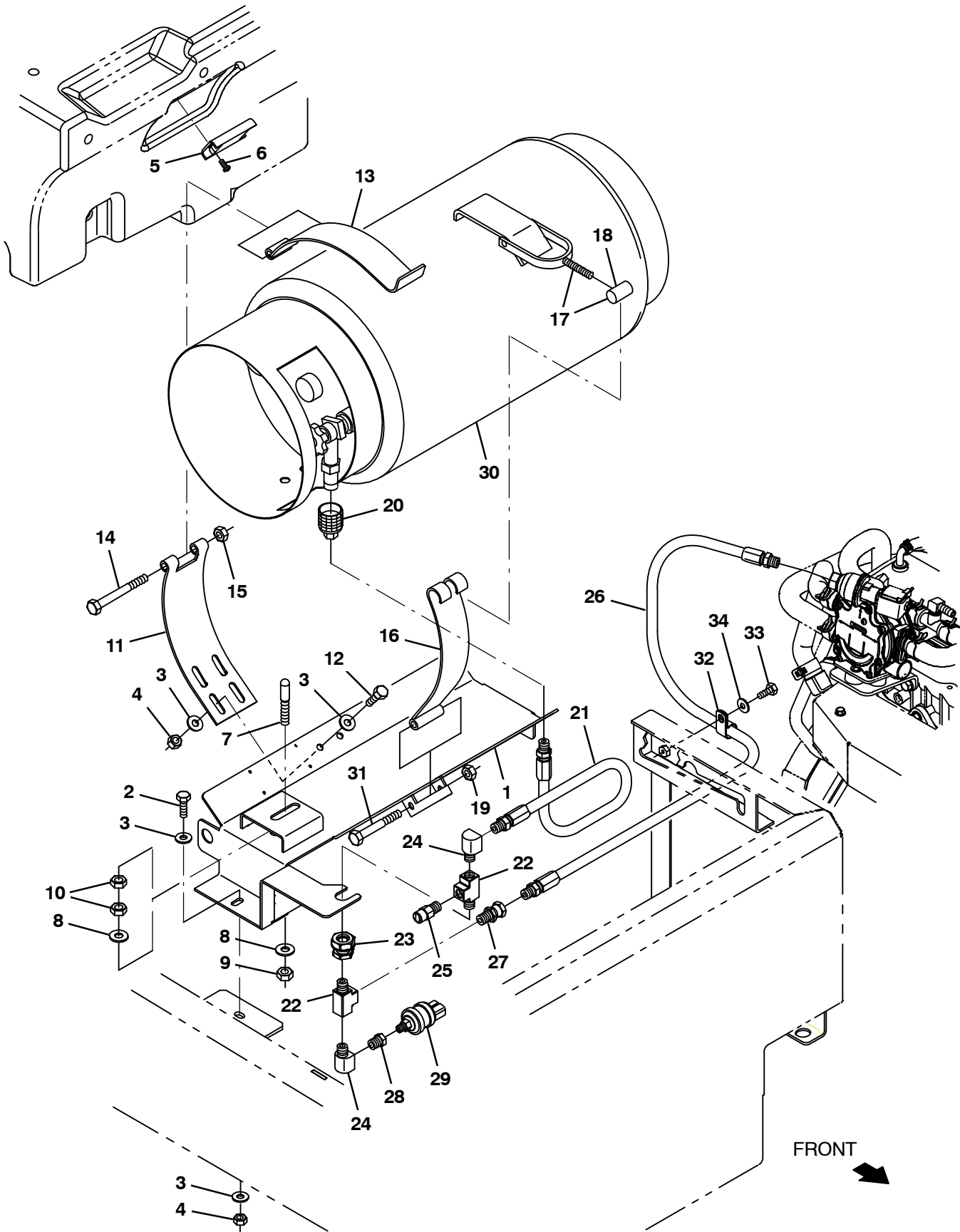




Fig. 22 – Engine Fuel Tank Group, LPG

Ref.	Part No.	Serial Number	Description	Qty.
1	1017947	(008000–	) Tray Wldt, Lpg	1
2	39277	(008000–	) Screw, Hex, M8 X 1.25 X 25, 8.8	2
3	32491	(008000–	) Washer, Flat, 0.31, Std	8
4	08709	(008000–	) Nut, Hex, Lock, M8 X 1.25, NI	4
5	63378	(008000–	) Magnet, Drive Brush	1
6	09200	(008000–	) Screw, Pan, M5 X 0.8 X 12, Ss	2
7	1024934	(008000–	) Pin, Locating, Lpg	1
8	32492	(008000–	) Washer, Flat, 0.38 Std	2
9	41430	(008000–	) Nut, Hex, Lock, M10 X 1.5, NI	1
10	32716	(008000–	) Nut, Hex, Jam, M10 X 1.5, Ss	2
11	58589	(008000–	) Strap, Mtg, Tank, Lpg	1
12	16931	(008000–	) Screw, Hex, M8 X 1.25 X 20, 8.8	2
13	57297	(008000–	) Strap, Mtg, Tank, Lpg, Hinge	1
14	35710	(008000–	) Screw, Hex, .38–16 X 3.75, 5	1
15	59156	(008000–	) Nut, Hex, Lock, .38–16, NI, Ss	1
16	58590	(008000–	) Strap, Mtg, Tank, Lpg	1
▽	17	53400–1	(008000–) Latch Assy, Mtg, Tank, Lpg, W/Nut	1
▲	18	53400–4	(008000–) Nut, Adj, Mtg, Tank, Lpg	1
19	36643	(008000–	) Nut, Hex, Lock, .38–16, NI, Thin	1
20	26496	(008000–	) Fitting, Brs, Qdc, Pf04, Lpg Fem	1
21	22308–6	(008000–	) Hose, Lpg, Med05, Pm04str/Sm04str, 14.0l	1
22	150709	(008000–	) Fitting, Brs, Tee, Pf04/Pf04/Pm04, Run	2
23	78122	(008000–	) Fitting, Brs, Str, Pf04/Pf04, Bh	1
24	27048	(008000–	) Fitting, Brs, E90, Pf04/Pm04	2
25	24047	(008000–	) Valve, Lpg, Press Relief [Rego]	1
26	19760	(008000–	) Hose, Lpg, Med05, Pm04str/Sm04str, 55.0l	1
28	17414	(008000–	) Fitting, Hyd, Str, Pf02/Pm04	1
27	11442–23	(008000–	) Fitting, Pipe, Str, Pm04/Sf04	1
29	23156	(008000–	) Switch, Press, 12vdc 08a Spst Nc 0070psi	1
30	24928–1	(008000–	) Tank, Lpg, 33lb, W/ Gauge [Empty, Liq]	1
31	35707	(008000–	) Screw, Hex, .38–16 X 3.00, 5	1
32	67767	(008000–	) Clamp, Cable, Stl, 0.69d X 0.62w, 1hole	1
33	06942	(008000–	) Screw, Hex, M6 X 1.00 X 16, 8.8	1
34	32483	(008000–	) Washer, Flat, 0.25, Sae	1

Fig. 23 - Battery and Electrical Group

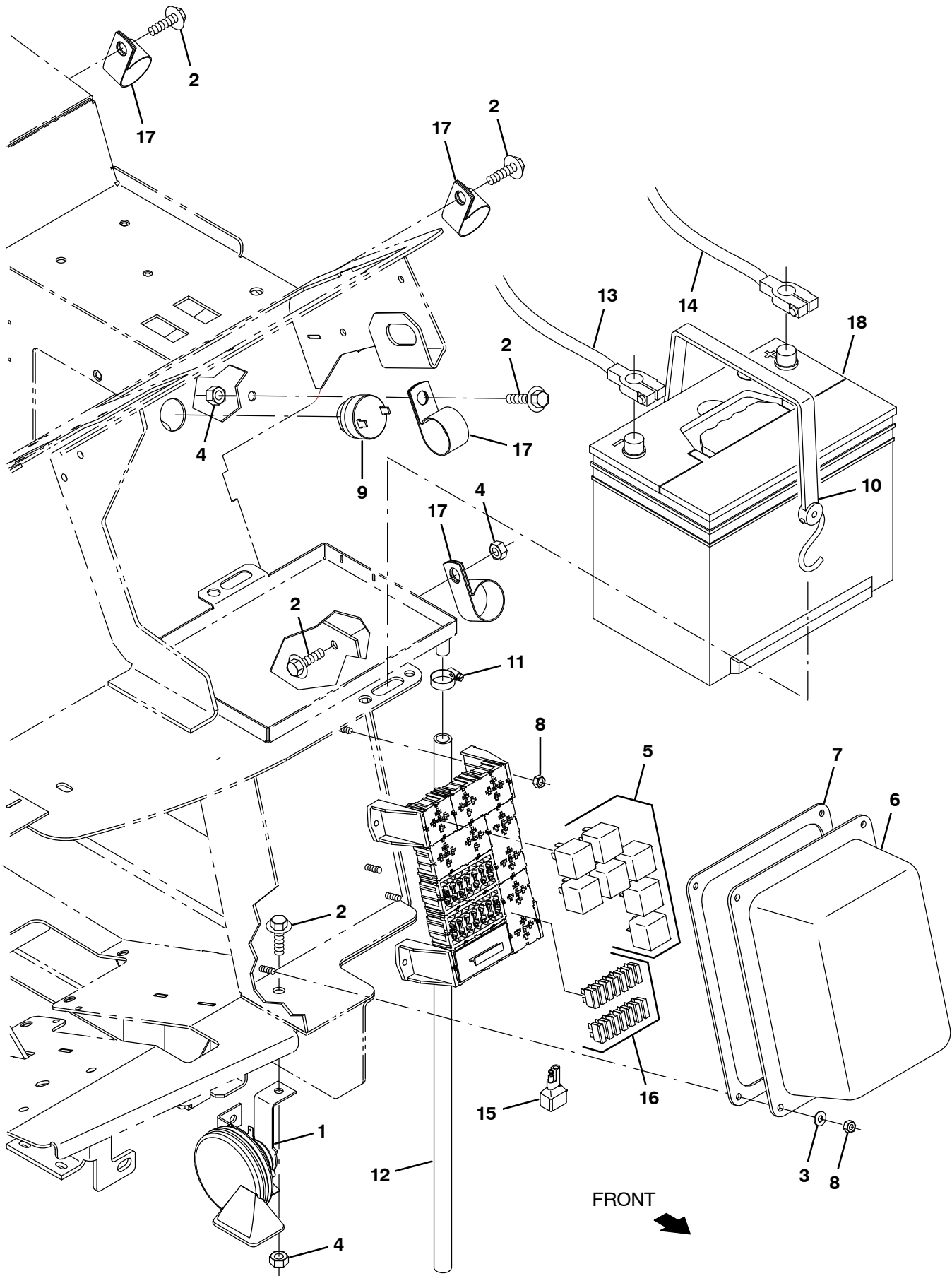


Fig. 23 - Battery and Electrical Group

Ref.	Part No.	Serial Number	Description	Qty.
1	369704	(008000-	) Horn, 12vdc, Dba [Wolo]	1
2	1037346	(008000-	) Screw, Hex, M8 X 1.25 X 25, 9.8, Sems	5
3	19066	(008000-	) Washer, Flat, #10	4
4	08709	(008000-	) Nut, Hex, Lock, M8 X 1.25, NI	3
5	57804	(008000-	) Relay, 12vdc, 40a, Spdt N/O	7
6	1024274	(008000-	) Cover, Fuse, Block	1
7	1026576	(008000-	) Gasket, Cover, Fuse Block	1
8	06549	(008000-	) Nut, Hex, Lock, M5 X 0.8, NI	8
9	1021290	(008000-	) Alarm, Warning [Sonalert, St628]	1
10	33671	(008000-	) Strap, Rbr, Tie-Down, 2/Hooks 19.0l	1
11	54333	(008000-	) Clamp, Hose, Wormdrive, 0.31-0.88d, .31w	1
12	20778	(008000-	) Hose, Pvc, Clr, 0.50id 0.69od 30.00l	1
13	1071481	(008000-	) Cable, Battery, 2ga, 62l, Blk	1
14	1071482	(008000-	) Cable, Battery, 2ga, 60l, Red	1
15	222290	(008000-	) Diode, Ele, Plug	1
16	762514	(008000-	) Fuse, 015a	14
17	53466	(008000-	) Clamp, Cable, Stl, 1.50d X 1.00w, 1h	4
18	10137	(008000-	) Battery, 12vdc, 0475cca, Ah, Wet	1

**Fig. 24 – Wheel Group, Front Drive**

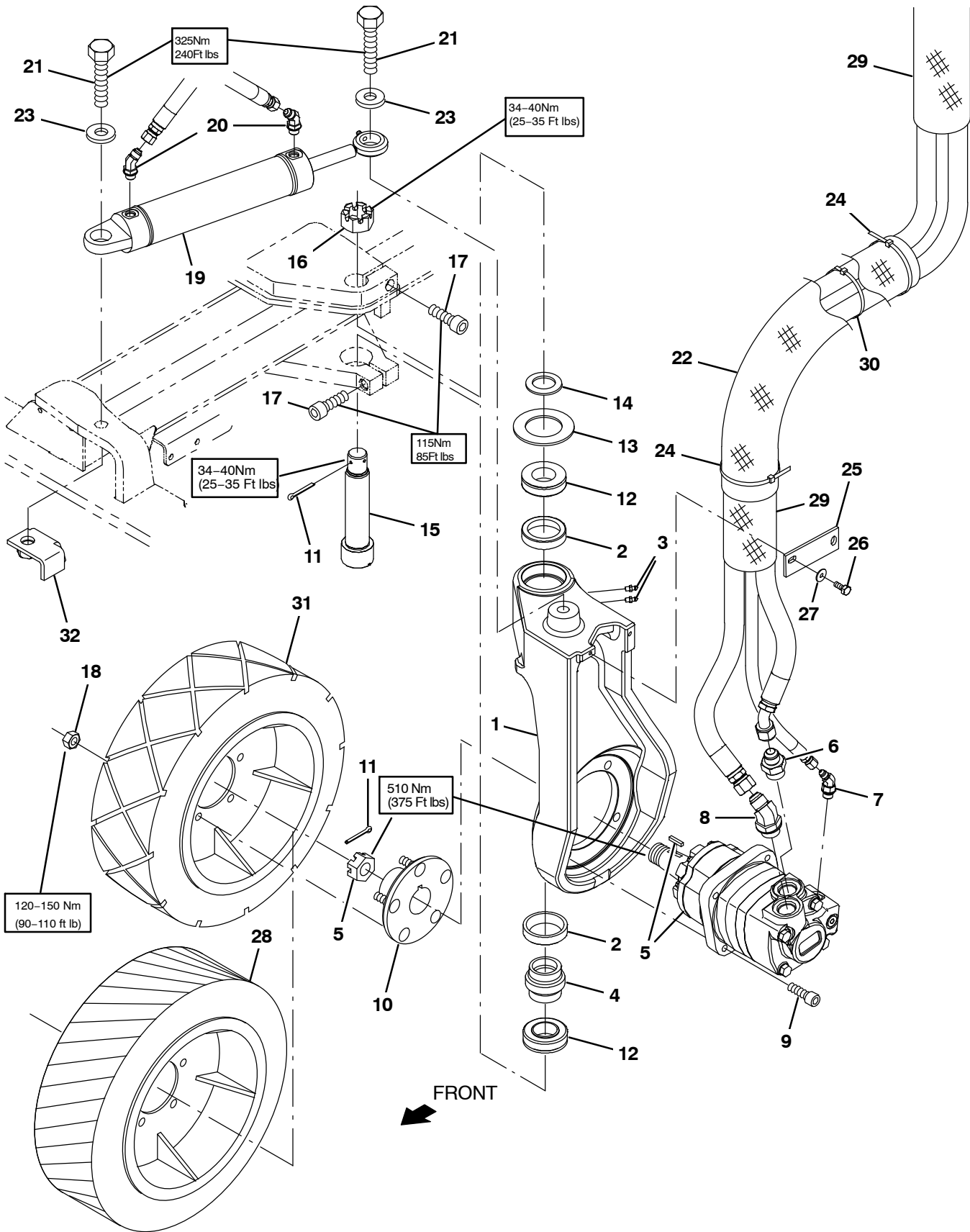


Fig. 24 – Wheel Group, Front Drive

Ref.	Part No.	Serial Number	Description	Qty.
1	1071061	(008000–	) Housing, Sppt, Front Wheel	1
2	51338	(008000–	) Bearing, Cup, 2.56d 0.55w	2
3	47801	(008000–	) Fitting, Grease, Str Pm04 .63l	2
4	374560	(008000–	) Seal, Drive, Rear, Grease Cav	1
5	379609	(008000–	) Motor, Hyd, Gear, Int 19.0 Bi–Dir 3000 (See Breakdowns)	1
6	42223	(008000–	) Fitting, Hyd, Str, Jm10/Om12	1
7	393215	(008000–	) Fitting, Hyd, E45, Jm04/Om06	1
8	1024249	(008000–	) Fitting, Hyd, E45, Jm10/Om12	1
9	19583	(008000–	) Screw, Soc, .50–13 X 1.50, Al	4
▽	10 54087	(008000–	) Hub Assy, Wheel, 5 Bolt 4.50bc Taper B	1
▲	32126	(008000–	) Stud, Wheel, .50–20 X 1.50l, 0.370th	5
11	08180	(008000–	) Pin, Cotter, .125 X 2.00	2
12	51339	(008000–	) Bearing, Cone, 1.38b 0.71w	2
13	374563	(008000–	) Washer, Flat, 2.16b 3.50d .16, Felt	1
14	54051	(008000–	) Washer, Flat, 1.39b 2.12d .13, Stl	1
15	73281	(008000–	) Bolt, Shld, 1.37d X 5.13l, 1.1–18 Drilled	1
16	54052	(008000–	) Nut, Hex, Slt'd, 1.12–18	1
17	72926	(008000–	) Screw, Soc, M16 X 2.0 X 50, 12.9	2
18	24339	(008000–	) Nut, Wheel, .50–20 X 60 Angle	5
19	1034270	(008000–	) Cylinder, Hyd, 2.0b, 15.2l, 09.00strk, 3000	1
20	47522	(008000–	) Fitting, Hyd, E45, Jm06/Om06	2
21	77345	(008000–	) Screw, Hex, .75–10 X 3.25, G5	1
22	82832	(008000–	) Sleeve, Nyl, 2.38id 25.0l	1
23	1073487	(008000–	) Washer, Flat, .781b 1.63od .16, Stl, Blk	2
24	49266	(008000–	) Tie, Cable, Nyl, 07.3l .19w 1.8 Max D	2
25	1052521	(008000–	) Bar, Flat, Stl 0.19, 01.50 X 04.1l	1
26	16931	(008000–	) Screw, Hex, M8 X 1.25 X 20, 8.8	2
27	32491	(008000–	) Washer, Flat, 0.31, Std	2
28	1061973	(008000–	) Tire, Drive, Scrbr, Pu, Grey, 18.0X6.0 (Optional Polyurethane)	1
29	57315	(008000–	) Sleeve, Nyl, #37 05.0l	2
30	49266	(008000–	) Tie, Cable, Nyl, 07.3l .19w 1.8 Max D	2
31	1059343	(008000–	) Tire, Drive, Scrbr, Non–Skid, 18.0X6.0	1
32	1060521	(008000–	) Bracket, Mtg, Sppt	1

Fig. 25 - Wheel Group, Rear

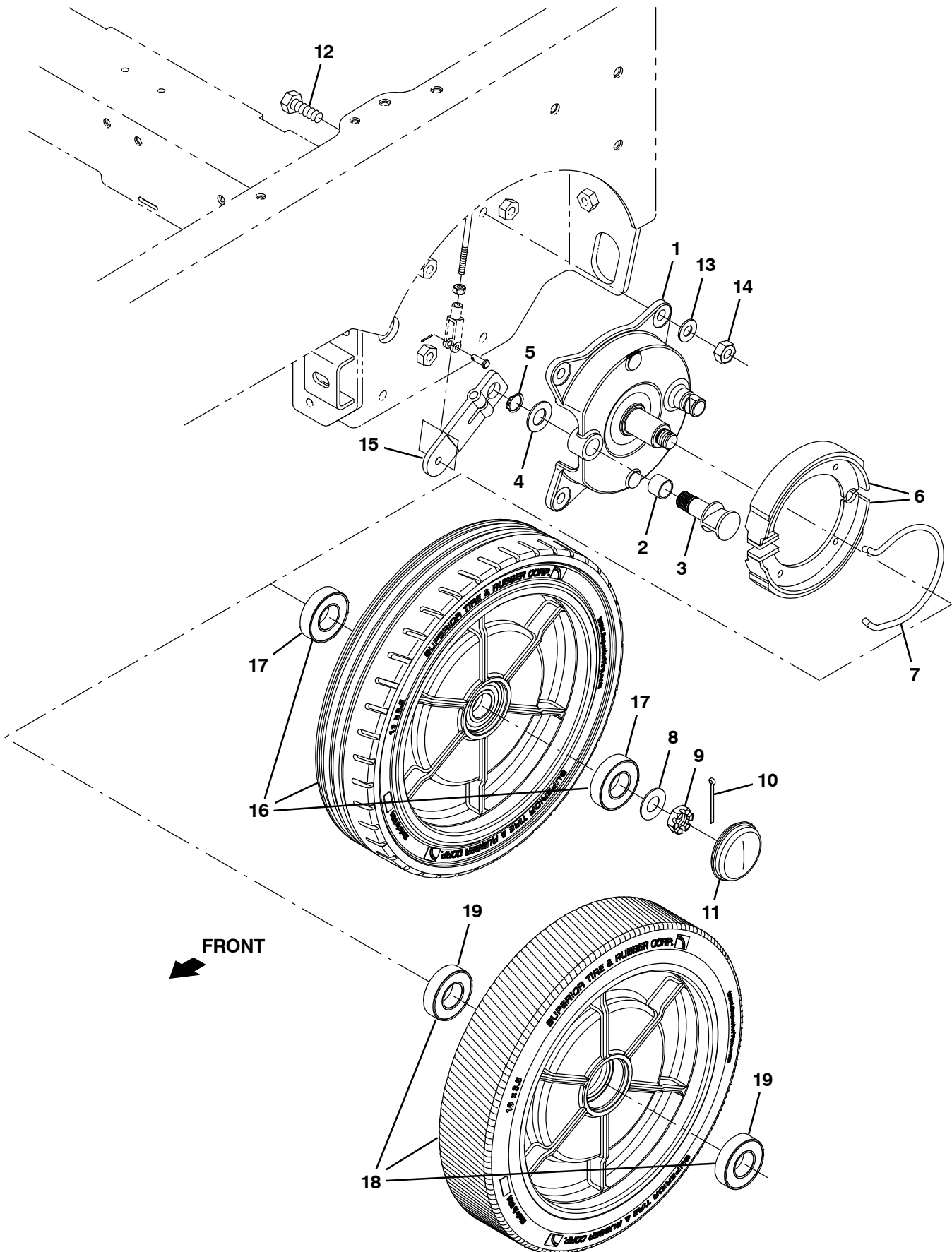


Fig. 25 – Wheel Group, Rear

	Ref.	Part No.	Serial Number	Description	Qty.
▽		360023	(008000–	) Brake Assy, Drum, Mech, 07.0d 1.2w	2
▲	1	360270	(008000–	) Plate, Backing, Brake	1
▲	2	360271	(008000–	) Bushing, Sleeve, 0.78b 0.86d 0.93l, Bnz	1
▲	3	360272	(008000–	) Cam, Plt, Brake [Nickel]	1
▲	4	360273	(008000–	) Washer, Flat, M21.0b X 37d X 3	1
▲	5	360274	(008000–	) Retainer, Ring, Brake	1
▲	6	360275	(008000–	) Shoe, Brake, 180 X 30mm	2
▲	7	360276	(008000–	) Spring, Wir, 0.25d, Return, Brake	1
	8	49145	(008000–	) Washer, Flat, 0.76b 1.50d .06, Ss	2
	9	86659	(008000–	) Nut, Hex, Sltd, .75–16	2
	10	08171	(008000–	) Pin, Cotter, .156 X 2.00	2
	11	54390	(008000–	) Cap, Hub, Dust 2.57d 0.77l	2
	12	06969	(008000–	) Screw, Hex, M12 X 1.75 X 40, 8.8	8
	13	32486	(008000–	) Washer, Flat, 0.50 Sae	8
	14	08711	(008000–	) Nut, Hex, Lock, M12 X 1.75,NI	8
	15	360802	(008000–	) Arm, Lever, Brake, 4.1 [Knott]	2
▽	16	1076240	(008000–	) Tire Assy, Idler, 16.0 X 3.5, Rubber	2
▲	17	360074	(008000–	) Bearing, Ball, 1.18b 2.44d 0.63w	2
▽	18	1076680	(008000–	) Tire, Idle, 16 X 3.5, Pu, Siped Tread(Optional Polyurethane)	2
▲	19	360074	(008000–	) Bearing, Ball, 1.18b 2.44d 0.63w	2

**Fig. 26 – Brake Pedal Linkage Group**

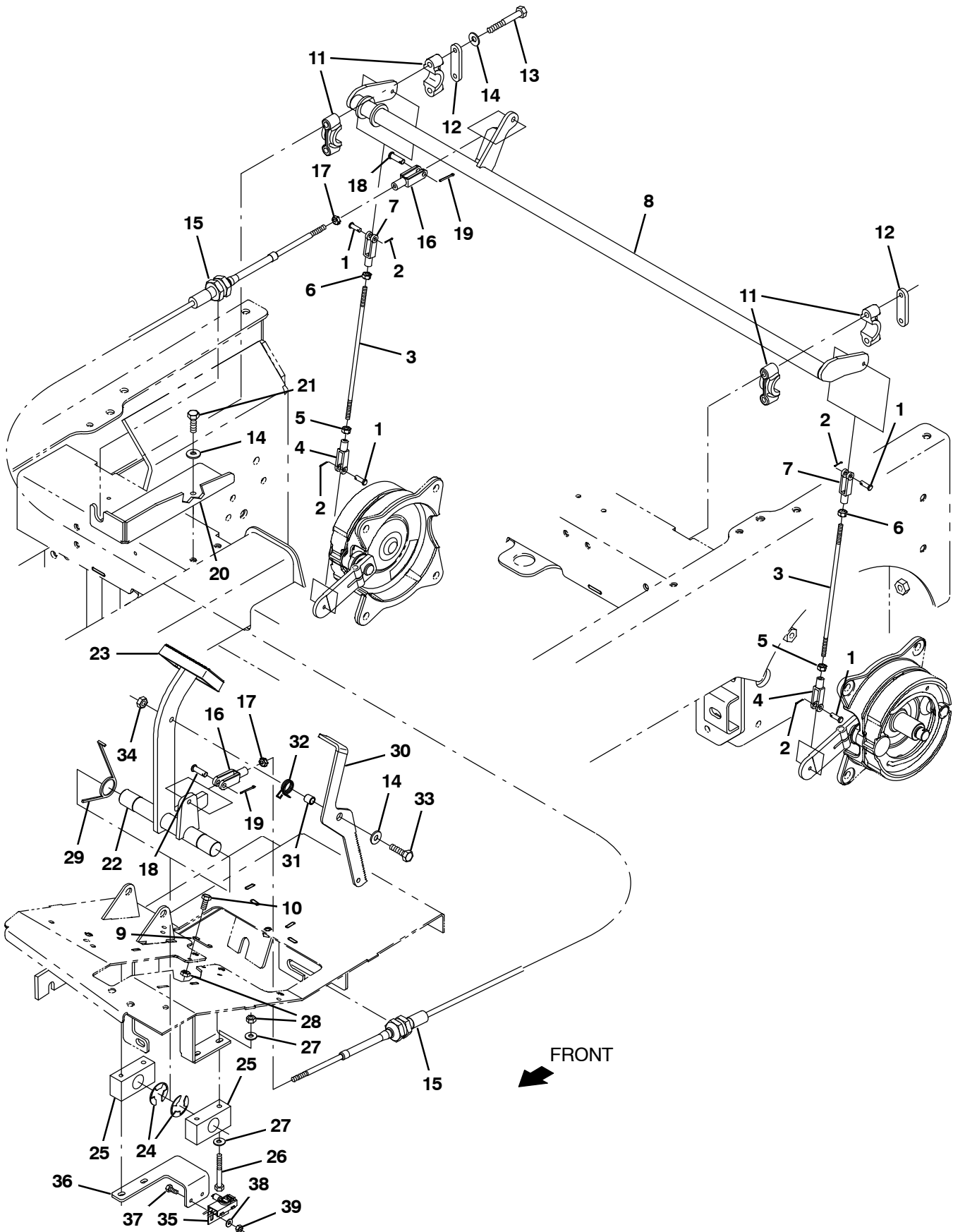




Fig. 26 – Brake Pedal Linkage Group

Ref.	Part No.	Serial Number	Description	Qty.
1	14605	(008000–	) Pin, Clevis, 0.25d X 0.75l	4
2	08170	(008000–	) Pin, Cotter, .062 X 0.50	4
3	364347	(008000–	) Rod	2
4	14595–1	(008000–	) Clevis, Adj, 0.25 Pin, 0.25–28 Rh, Pl	2
5	364948	(008000–	) Nut, Hex, Std, .25–28, Lh	2
6	01714	(008000–	) Nut, Hex, Std, .25–28	2
7	364864	(008000–	) Clevis, Adj, 0.25pin, 0.25–28left Pl	2
8	1022031	(008000–	) Shaft Wldt, Brake	1
9	71367	(008000–	) Spring, Wir, 0.08d, Brake, Parking	1
10	06942	(008000–	) Screw, Hex, M6 X 1.0 X 16, 8.8	2
11	381502	(008000–	) Bearing, Split, 1.00b	4
12	382224	(008000–	) Plate, Sppt	2
13	39279	(008000–	) Screw, Hex, M8 X 1.25 X 70, 8.8	4
14	32491	(008000–	) Washer, Flat, 0.31, Std	7
15	1025495	(008000–	) Cable, Push / Pull, 063.0l 4.0, .31–24	1
16	58311	(008000–	) Clevis, Adj, 0.31pin, 0.31–24	2
17	20170	(008000–	) Nut, Hex, Jam, .31–24	2
18	69582	(008000–	) Pin, Clevis, 0.31d X 1.00l	2
19	08179	(008000–	) Pin, Cotter, .094 X 1.00	2
20	1022736	(008000–	) Bracket, Mtg, Cable	1
21	16931	(008000–	) Screw, Hex, M8 X 1.25 X 20, 8.8	2
22	1022243	(008000–	) Shaft Wldt, Pedal, Brake	1
23	51109	(008000–	) Pad, Pedal, Brake, 3.96l 2.36w 0.75	1
24	23788	(008000–	) Ring, Retaining, Ext, 0.98d, [E–Ring]	2
25	86751	(008000–	) Bearing, Pillowblock, 1.02b [Solid Pye]	2
26	06548	(008000–	) Screw, Hex, M6 X 1.0 X 60, 8.8	4
27	32490	(008000–	) Washer, Flat, 0.25 Std	8
28	08708	(008000–	) Nut, Hex, Lock, M6 X 1.0, NI	6
29	54607	(008000–	) Spring, Tors, 1.13id .12wir 02.3coil Rh	2
30	1025487	(008000–	) Pedal, Brake, Lock	1
31	46563	(008000–	) Bushing, Sleeve, 0.37b 0.50d 0.50l, Oib	1
32	59009	(008000–	) Spring, Tors, 0.75id .06wir 02.8coil	1
33	06955	(008000–	) Screw, Hex, M8 X 1.25 X 35, 8.8	1
34	08709	(008000–	) Nut, Hex, Lock, M8 X 1.25, NI	1
35	59962	(008000–	) Switch, Snap, 15a Nc, Rlr	1
36	1228195	(008000–	) Bracket, Mtg, Switch	1
37	24199	(008000–	) Screw, Hex, M5 X 0.80 X 16, Ss	2
38	01683	(008000–	) Washer, Flat, 10, Ss	2
39	09739	(008000–	) Nut, Hex, Lock, M5 X 0.80, NI, Ss	2

**Fig. 27 – Directional Pedal Group**

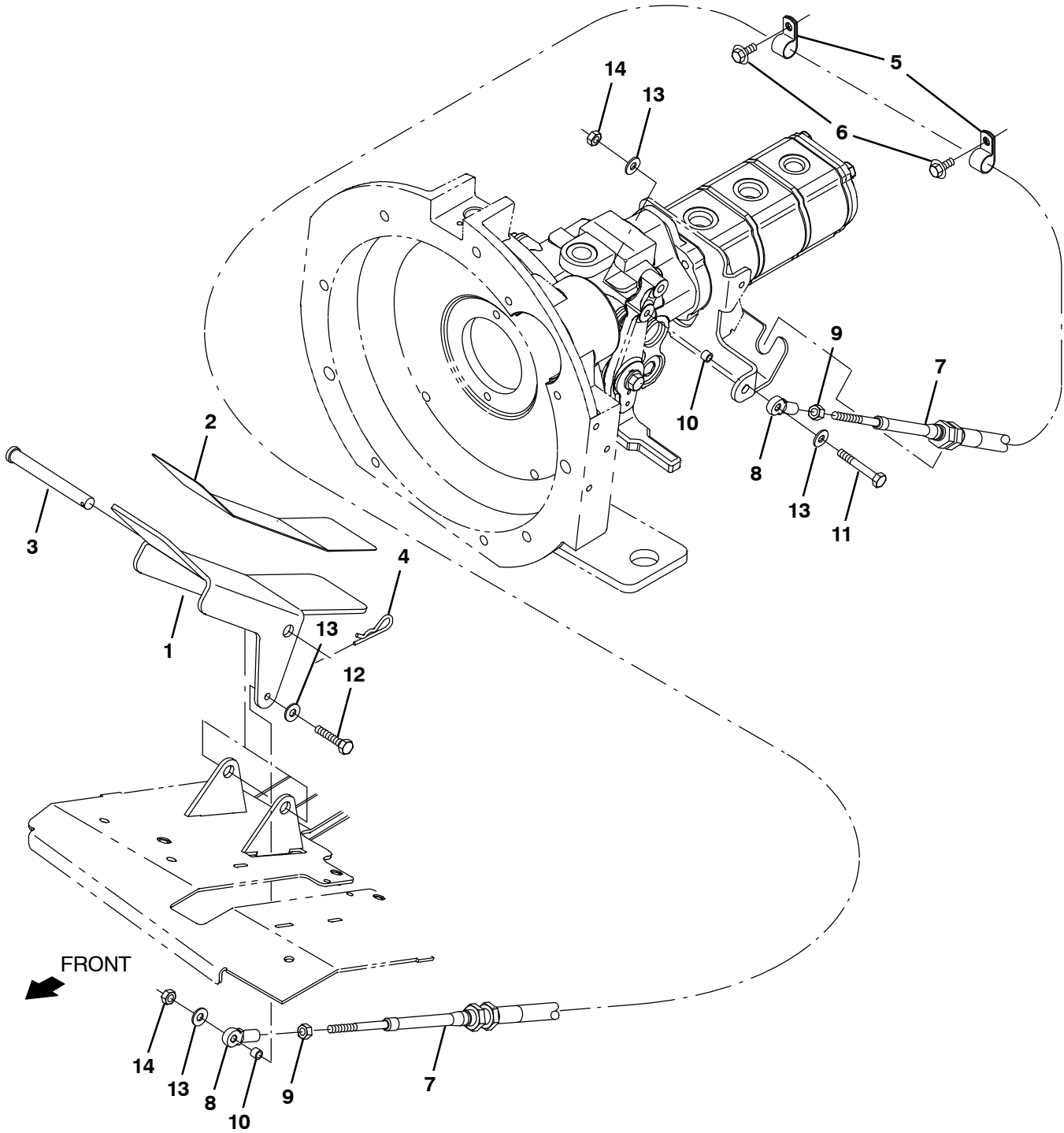


Fig. 27 - Directional Pedal Group

Ref.	Part No.	Serial Number	Description	Qty.
1	1025140	(008000-	) Pedal, Propel	1
2	58819	(008000-	) Tread, Non-Skid, 03.0w 11.6l	1
3	59668	(008000-	) Pin, Clevis, 0.50 D X 4.50l	1
4	08182	(008000-	) Pin, Cotter, .125 X 1.00	1
5	67767	(008000-	) Clamp, Cable, Stl, 0.69d X 0.62w, 1h	2
6	361339	(008000-	) Screw, Hex, M6 X 1.0 X 16, Fmg	2
7	1022345	(008000-	) Cable, Push / Pull, 098.0l .25-28/.25-28	1
8	68866	(008000-	) Rod-End, .25-28rh Fem 0.25b [Teflon]	2
9	01714	(008000-	) Nut, Hex, Std, .25-28	2
10	65441	(008000-	) Tube, 00.38d 00.26b 00.3l Stl Plt	2
11	41399	(008000-	) Screw, Hex, .25-20 X 2.25, Ss	1
12	42180	(008000-	) Screw, Hex, .25-20 X 1.75, Ss	1
13	32490	(008000-	) Washer, Flat, 0.25 Std	4
14	41169	(008000-	) Nut, Hex, Lock, .25-20, NI, Ss	2

**Fig. 28 – Hydraulic Pump Linkage Group**

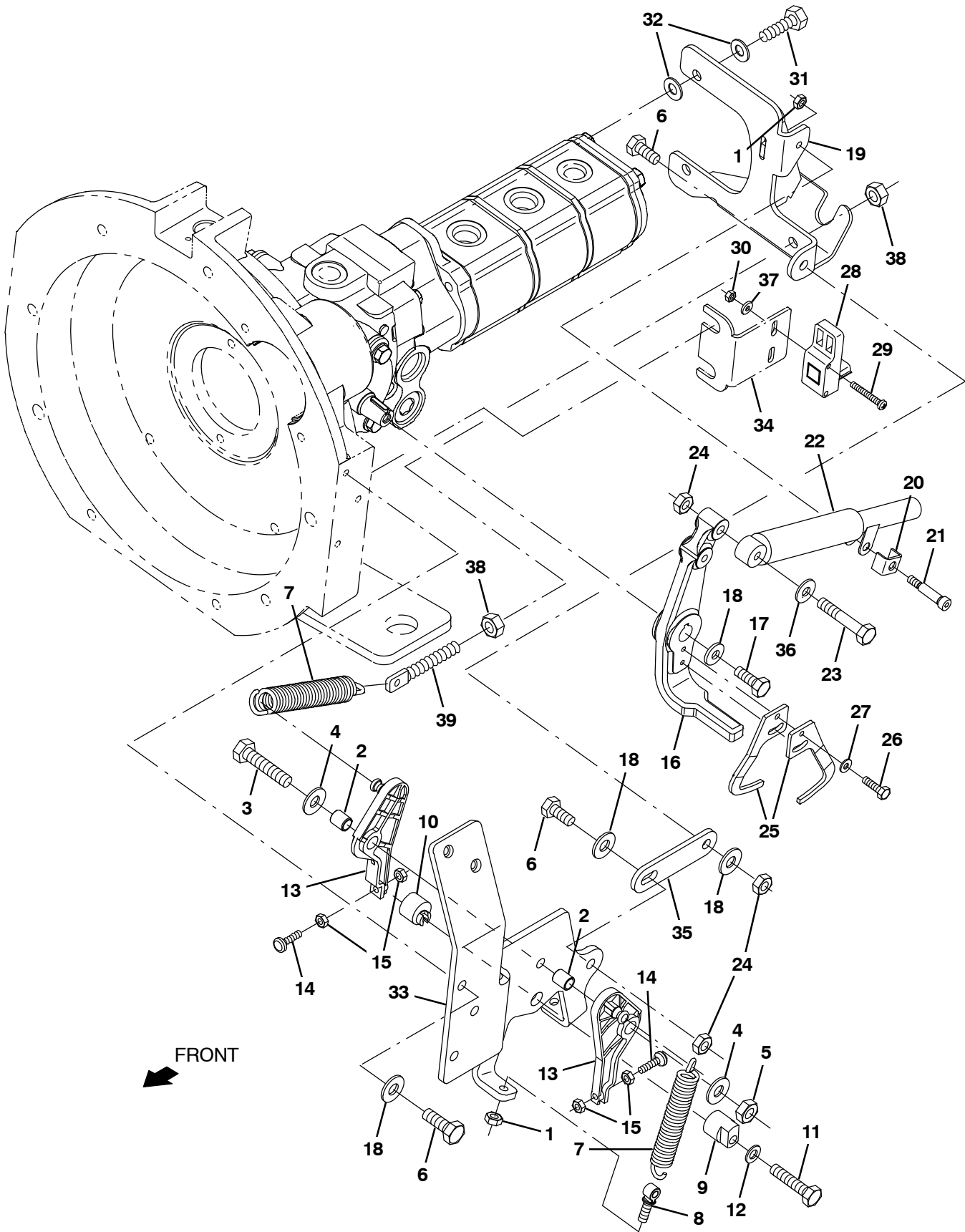


Fig. 28 – Hydraulic Pump Linkage Group

Ref.	Part No.	Serial Number	Description	Qty.
1	75934	(008000–	) Nut, Hex, Lock, .25–20, NI	2
2	63234	(008000–	) Tube, 00.50d 00.38b 00.6l Stl	2
3	27991	(008000–	) Screw, Hex, .38–16 X 2.25, G5	1
4	32492	(008000–	) Washer, Flat, 0.38 Std	2
5	36643	(008000–	) Nut, Hex, Lock, .38–16, NI, Thin	1
6	39277	(008000–	) Screw, Hex, M8 X 1.25 X 25, 8.8	5
7	11842	(008000–	) Spring, Extn, 0.75od X 0.12wir, 4.3l	2
8	48079	(008000–	) Bolt, Eye, .25–20 X 1.40 X .25 Eye	1
9	53947	(008000–	) Cam, Centering, Pintle	1
10	54655	(008000–	) Cam, Centering, Pintle	1
11	74440	(008000–	) Screw, Hex, M8 X 1.25 X 40, Ss, NI	1
12	39349	(008000–	) Washer, Flat, 0.31 Sae	1
13	53953	(008000–	) Arm, Cntrl, Pintle, Centering	2
14	54205	(008000–	) Bumper, Rbr, 0.5d 0.16t M5 X 08	2
15	50335	(008000–	) Nut, Hex, Std, M5 X 0.8, 8	4
16	1027233	(008000–	) Arm, Pintle	1
17	83879	(008000–	) Screw, Hex, .31–24 X 0.75, NI	1
18	41186	(008000–	) Washer, Belleville, .31	6
19	1027313	(008000–	) Bracket Wldt, Propel, Pintle	1
20	84170	(008000–	) Bracket, Retainer, Safety	1
21	16213	(008000–	) Bolt, Shld, .31d X 1.00, .25–20	1
22	73411	(008000–	) Shock Absorber, 2.3 Strk	1
23	39278	(008000–	) Screw, Hex, M8 X 1.25 X 50, 8.8	1
24	08709	(008000–	) Nut, Hex, Lock, M8 X 1.25, NI	3
25	1022787	(008000–	) Arm [Positioning]	2
26	09252	(008000–	) Screw, Hex, M5 X 0.8 X 20, 8.8	2
27	01683	(008000–	) Washer, Flat, #10 Ss	2
28	1022779	(008000–	) Sensor, Spd / Dir, 6–30vdc	1
29	09198	(008000–	) Screw, Pan, M4 X 0.7 X 35, Ss	2
30	33932	(008000–	) Nut, Hex, Lock, M4 X 0.7, NI, Ss	2
31	46559	(008000–	) Screw, Hex, .38–16 X 1.25, NI	2
32	32485	(008000–	) Washer, Flat, 0.38 Sae	4
33	1070798	(008000–	) Bracket, Propel, G/Lpg [Mit 2013]	1
34	1070819	(008000–	) Angle, Mtg	1
35	1032399	(008000–	) Strap, Sppt	1
36	32490	(008000–	) Washer, Flat, 0.25 Std	1
37	19065	(008000–	) Washer, Flat, 0.19b 0.44d .05, Pl, 08	2
38	07786	(008000–	) Nut, Hex, Std, M8 X 1.25, Ss	2
39	386088	(008000–	) Bolt, Eye, M8 X 1.25 X 070mm, 05.50 Eye	1

Fig. 29 - Hopper Lift Arms Group

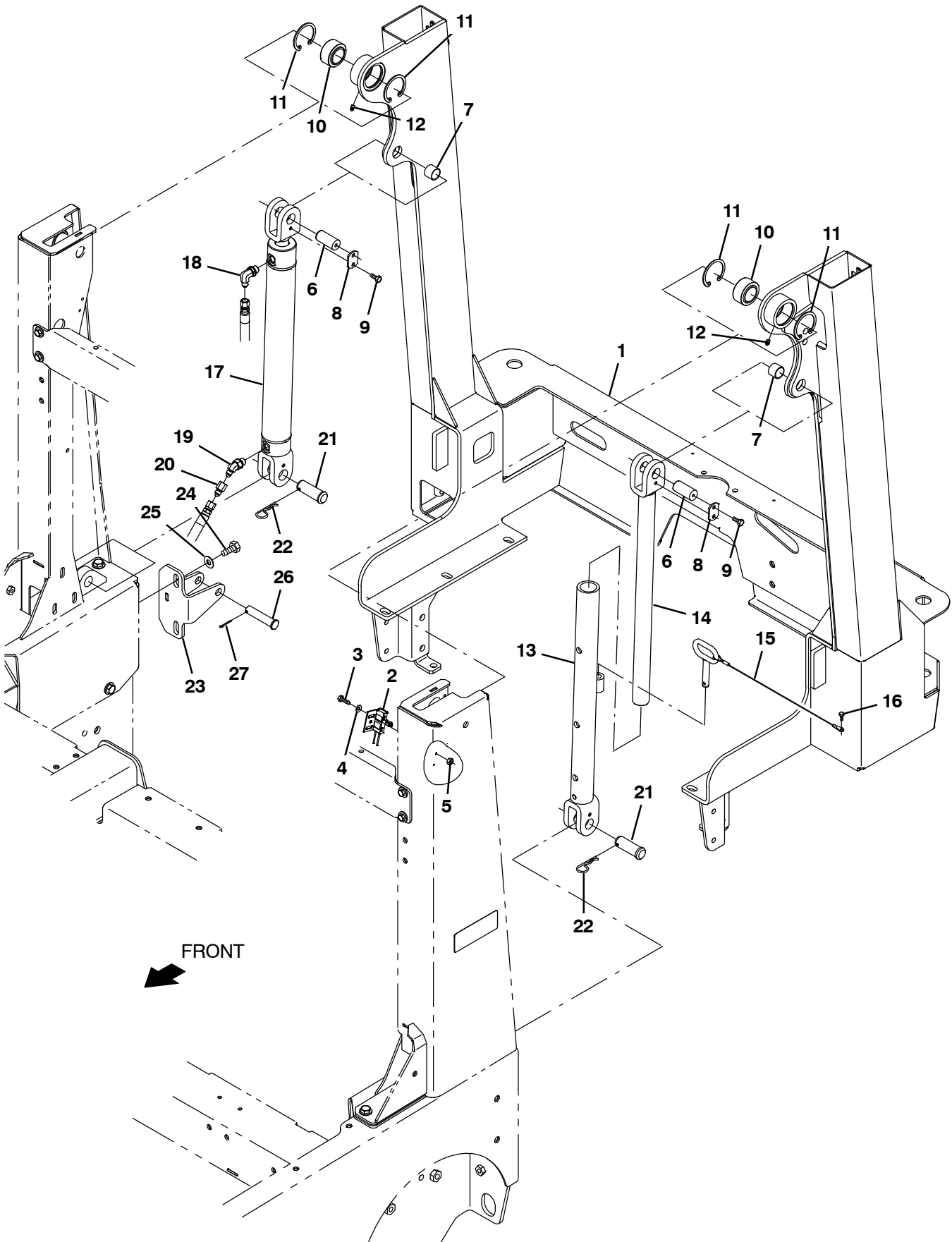


Fig. 29 – Hopper Lift Arms Group

Ref.	Part No.	Serial Number	Description	Qty.
1	1069933	(008000–	) Frame Wldt, Lift, Hppr	1
2	23211	(008000–	) Switch, Snap, 15a No, Rlr	1
3	09252	(008000–	) Screw, Hex, M5 X 0.8 X 20, 8.8	2
4	19066	(008000–	) Washer, Flat, #10	2
5	07789	(008000–	) Nut, Hex, Flng, M5 X 0.8	2
6	1018226	(008000–	) Pin, 0.87d 01.8l, 1/M6 X 1.0, 1cham,Stl	2
7	364587	(008000–	) Bushing, Sleeve, 0.88b 1.00d 0.75l, Bnz	2
8	72897	(008000–	) Plate, Pin, Clevis, Upper	2
9	1040467	(008000–	) Screw, Hex, M6 X 1.0 X 20, 9.8, Sems	4
10	42120-1	(008000–	) Bearing, Self Align, 1.25b 2.00d	2
11	59542	(008000–	) Ring, Retaining, Int, 2.00d	4
12	07259	(008000–	) Fitting, Grease, Str Pm04 .47l	2
13	1018260	(008000–	) Tube Wldt, Arm, Safety	1
14	1018262	(008000–	) Rod Wldt, Arm, Safety	1
15	1018266	(008000–	) Pin, Arm, Safety	1
16	16944	(008000–	) Screw, Hex, M4 X 0.7 X 10, Fmg	1
17	1029646	(008000–	) Cylinder, Hyd, 2.0B 24.1L 15.00Strk 3000	1
18	47638	(008000–	) Fitting, Hyd, E90, Jm04/Om06	1
19	393215	(008000–	) Fitting, Hyd, E45, Jm04/Om06	1
20	1025904	(008000–	) Fitting, Hyd, Rst, Jf04/Jm04, .028	1
21	1018227	(008000–	) Pin, Clevis, 0.88d X 2.25l	2
22	02942	(008000–	) Pin, Cotter, Hair, 0.62d .120 Wir	2
23	1018275	(008000–	) Plate Wldt, Arm, Stop	1
24	09028	(008000–	) Screw, Hex, M10 X 1.5 X 25, Ss	2
25	01686	(008000–	) Washer, Flat, 0.44b 1.00d .08, Ss	2
26	1018276	(008000–	) Pin, Clevis, 0.62d X 2.91l	1
27	08179	(008000–	) Pin, Cotter, .094 X 1.00	1

Fig. 30 - Hopper and Debris Screen Group

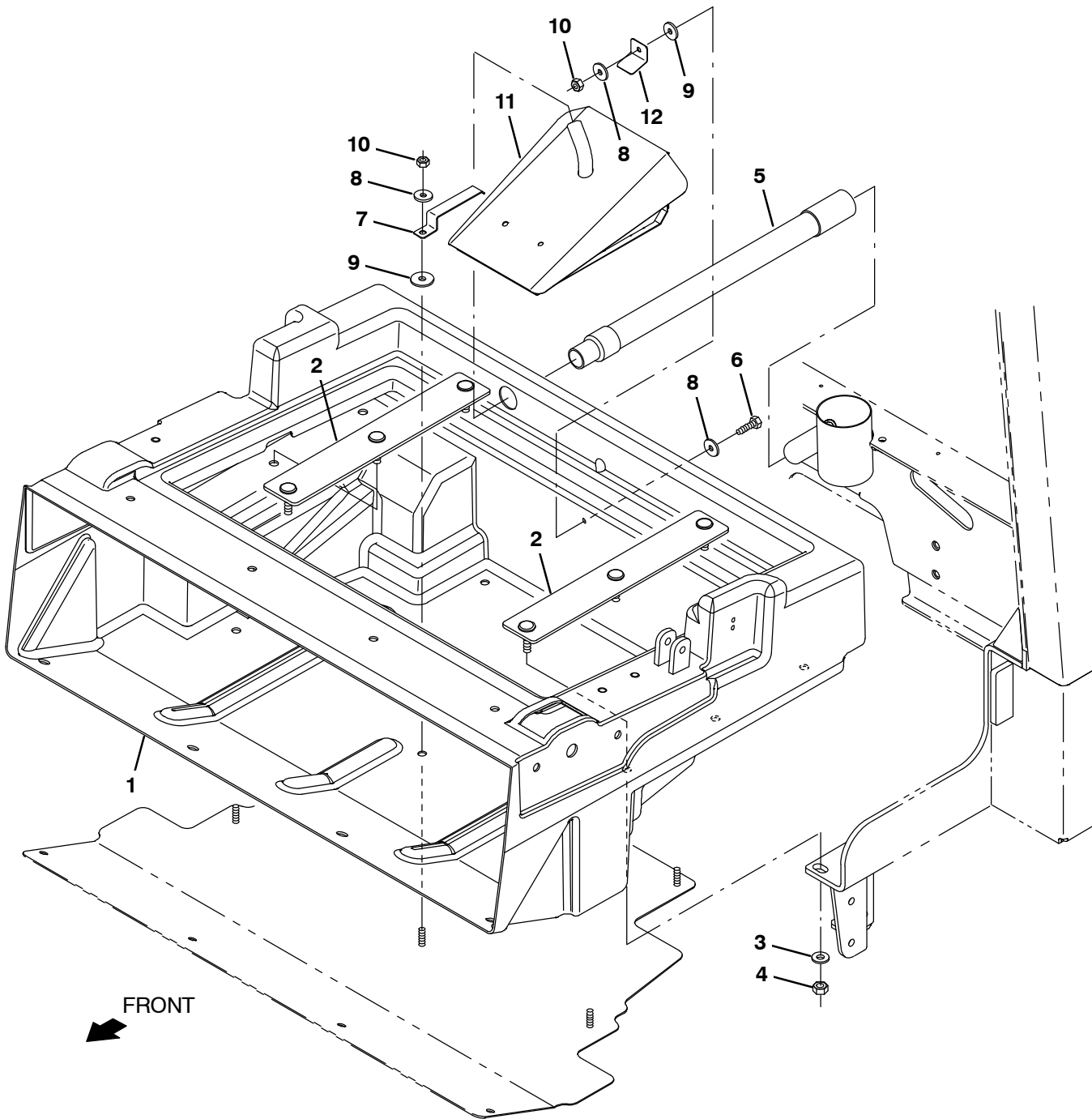




Fig. 30 – Hopper and Debris Screen Group

Ref.	Part No.	Serial Number	Description	Qty.
1	1018300	(008000–	) Hopper, Debris, Rm–Hg, Trimmed	1
2	1018272	(008000–	) Bar, Mtg, Hppr	2
3	763042	(008000–	) Washer, Flat, Belleville, M10	6
4	08714	(008000–	) Nut, Hex, Lock, M10 X 1.5, NI, Ss	6
5	1018239	(008000–	) Hose Assy, W/1cuff, 1.0d 09l 1.0/	1
6	09010	(008000–	) Screw, Hex, M8 X 1.25 X 25, Ss	1
7	1044323	(008000–	) Spring, Flat, Retainer, Angled Screen	1
8	1017218	(008000–	) Washer, Flat, 0.32b 1.00d .12, Ss	3
9	222268	(008000–	) Washer, Flat, 0.38b 1.25d .12, Neo	2
10	08713	(008000–	) Nut, Hex, Lock, M8 X 1.25, NI, Ss	2
11	1039163	(008000–	) Screen Wldt, Hppr	1
12	1039215	(008000–	) Angle, Retainer	1

**Fig. 31 – Hopper Cover and Dust Filter Group**

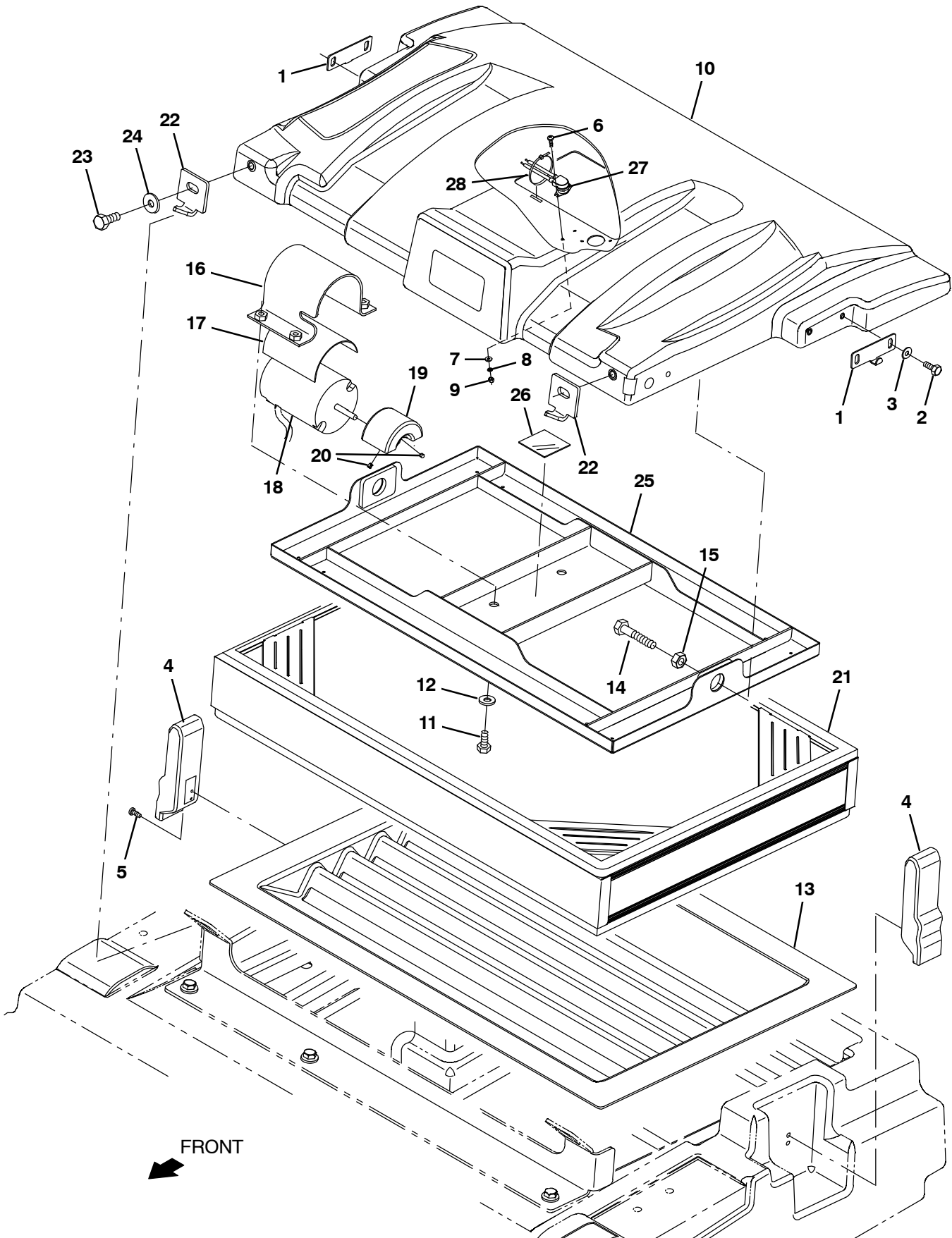


Fig. 31 – Hopper Cover and Dust Filter Group

Ref.	Part No.	Serial Number	Description	Qty.
1	1041984	(008000–	) Bracket, Cover, Hppr	2
2	15678	(008000–	) Screw, Hex, M6 X 1.0 X 16, Ss	4
3	01684	(008000–	) Washer, Flat, 0.25, Ss	4
4	1222019	(008000–	) Latch, Yellow	2
5	09200	(008000–	) Screw, Pan, M5 X 0.8 X 12, Ss	4
6	06922	(008000–	) Screw, Pan, M3 X 0.5 X 20, 4.8	2
7	19064	(008000–	) Washer, Flat, #06	2
8	32975	(008000–	) Washer, Lock, Int, #06	2
9	01754	(008000–	) Nut, Hex, Std, M3 X 0.5, 8	2
10	1041006	(008000–	) Cover, Hppr	1
11	09740	(008000–	) Screw, Hex, M8 X 1.25 X 20, Ss	4
12	01685	(008000–	) Washer, Flat, 0.38b 0.88d .08, Ss	4
13	1037947	(008000–	) Tray, Perma-Filter	1
14	06963	(008000–	) Screw, Hex, M10 X 1.50 X 60, 8.8	2
15	39312	(008000–	) Nut, Hex, Std, M10 X 1.50	2
16	1037671	(008000–	) Strap, Mtg, Motor, .124.00W	1
17	36658	(008000–	) Strip, Rbr, 0.06 04.00w 05.0l Neo/60	1
18	1059542	(008000–	) Motor, Ele 12Vdc, Shagr	1
19	1053320	(008000–	) Weight, Eccentric	1
20	20634	(008000–	) Screw, Set, #10–24 X 0.25, NI	2
21	1048295AM	(008000–	) Filter, Panl, Syn, 4.2 X 20.0 X 30.0	1
22	1018207	(008000–	) Bar, Mtg, Hppr Cover	2
23	09291	(008000–	) Screw, Hex, M10 X 1.5 X 20, Ss	2
24	1014563	(008000–	) Washer, Flat, 0.40b 1.12d .12, Ss	2
25	1037235	(008000–	) Shaker Wldt	1
26	36661	(008000–	) Strip, Rbr, 0.06 01.00W 04.0L	1
27	1056298	(008000–	) Switch, Temp, Sealed, Nc	1
28	763116	(008000–	) Tie, Cable, Nyl, 15.3L . W 4.5 Max D	1

Fig. 32 - Hopper Bumper Group

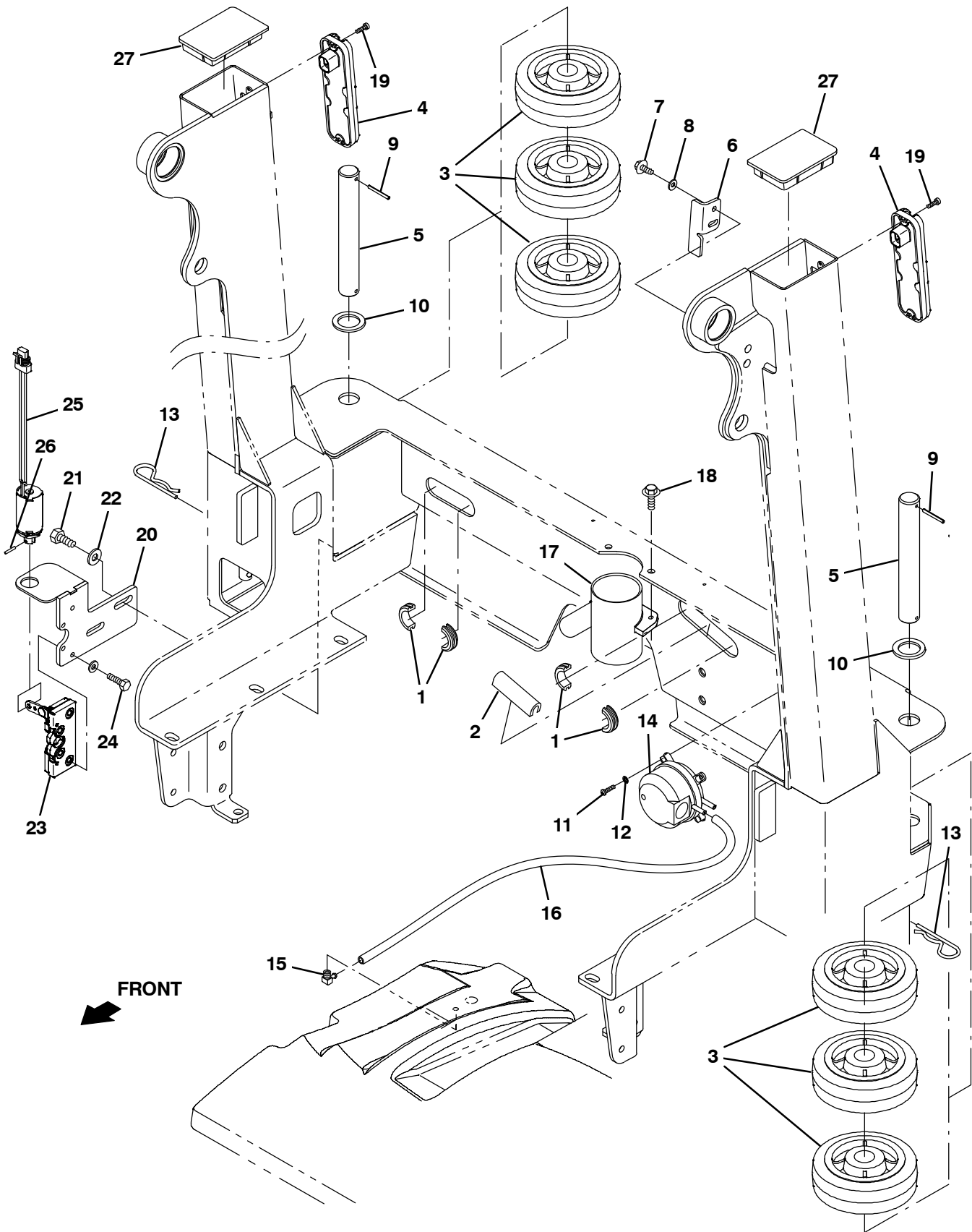


Fig. 32 - Hopper Bumper Group

Ref.	Part No.	Serial Number	Description	Qty.
1	10632-13	(008000-	) Grommet, Rbr, 1.50id, F/1.8h, .19 Matl	2
2	50646	(008000-	) Molding, Trim, Pvc,.18-.31 07.5l	1
3	1060130	(008000-	) Wheel, 06.0d 2.00w 1.19b, Gray Rbr	6
4	1018208	(008000-	) Light, Tail, 12vdc	2
5	1053838	(008000-	) Pin, 30mmd X 215mml	2
6	1018240	(008000-	) Bracket, Mtg, Switch	1
7	361339	(008000-	) Screw, Hex, M6 X 1.0 X 16, Fmg	2
8	32483	(008000-	) Washer, Flat, 0.25 Sae	2
9	23146	(008000-	) Pin, Roll, .187d X 1.62l, .187/.192	2
10	1062566	(008000-	) Washer, Flat, 1.26B 1.88D .13, Stl, Pl	2
11	12323	(008000-	) Screw, Pan, M4 X 0.7 X 20, Ss	2
12	02938	(008000-	) Washer, Lock, Int, #08, Ss	2
13	34411	(008000-	) Pin, Cotter, Hair, 1.00d .178 Wir	2
14	1052885	(008000-	) Switch, Press, Adj [4-16 In Wtr]	1
15	32183	(008000-	) Fitting, Brs, E90, Pm02/Bm03	1
16	1031575	(008000-	) Hose, Afmkt, Vacuum, 0.16id, 03ft	1
17	1036240	(008000-	) Tube, Vacuum	1
18	1037346	(008000-	) Screw, Hex, M8 X 1.25 X 25, 9.8, Sems	2
19	06928	(008000-	) Screw, Pan, M4 X 0.7 X 20, 4.8	4
20	1018280	(008000-	) Plate Wldt, Mtg, Solenoid	1
21	12309	(008000-	) Screw, Hex, M12 X 1.75 X 30, Ss	2
22	32486	(008000-	) Washer, Flat, 0.50, Sae	2
23	21623	(008000-	) Latch	1
24	06944	(008000-	) Screw, Hex, M6 X 1.0 X 25, 8.8	4
25	1018274	(008000-	) Solenoid, Pull, 12vdc, Damper	1
26	20021	(008000-	) Pin, Roll, .125 D X 0.75l, .125/.129	1
27	1018293	(008000-	) Cap, Arm, Lift	2

**Fig. 33 – Hopper Door Group**

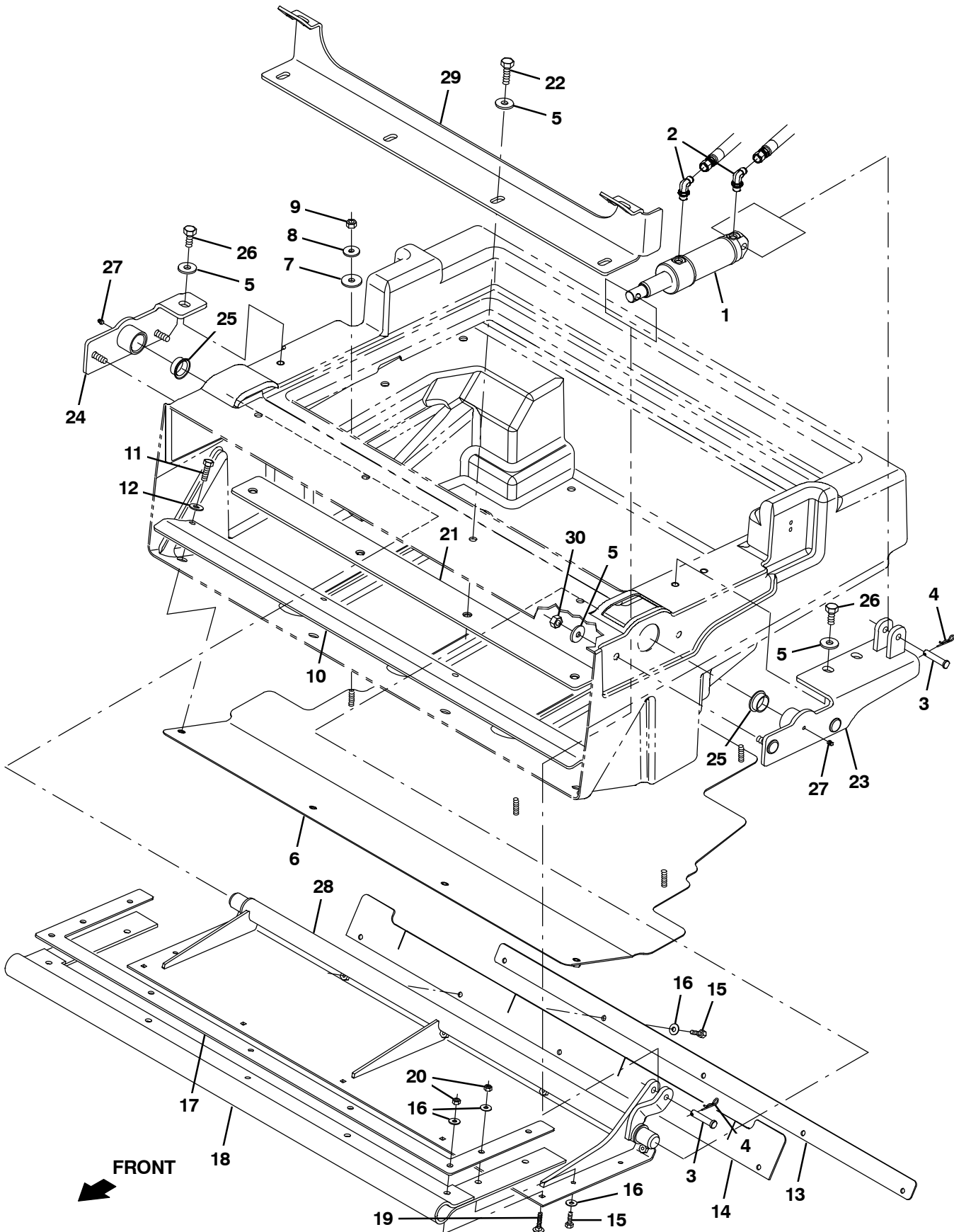


Fig. 33 – Hopper Door Group

Ref.	Part No.	Serial Number	Description	Qty.
1	1038115	(008000–	) Cylinder, Hyd, 1.5b 07.8l 02.75strk 2500	1
2	77097	(008000–	) Fitting, Hyd, E90, Jm04/Om04	2
3	17461	(008000–	) Pin, Clevis, 0.37d X 1.75l	2
4	08179	(008000–	) Pin, Cotter, .094 X 1.00	2
5	1014563	(008000–	) Washer, Flat, 0.40b 1.12d .12, Ss	11
6	1018237	(008000–	) Plate, Bottom, Hppr	1
7	222268	(008000–	) Washer, Flat, 0.38b 1.25d .12, Neo	2
8	1017218	(008000–	) Washer, Flat, 0.32b 1.00d .12, Ss	2
9	08713	(008000–	) Nut, Hex, Lock, M8 X 1.25, NI, Ss	2
10	1018236	(008000–	) Bracket, Lip, Hppr	1
11	09010	(008000–	) Screw, Hex, M8 X 1.25 X 25, Ss	4
12	01685	(008000–	) Washer, Flat, 0.31, Ss	4
13	1039155	(008000–	) Strap, Door, Dump	1
14	1018245	(008000–	) Seal, Door, Dump	1
15	08716	(008000–	) Screw, Hex, M6 X 1.0 X 20, Ss	9
16	01684	(008000–	) Washer, Flat, 0.25, Ss	14
17	1039149	(008000–	) Plate, Retainer, Door, Dump	1
18	1039157	(008000–	) Seal, Door, Dump	1
19	379791	(008000–	) Bolt, Carriage, M06 X 1.0 X 30	5
20	08712	(008000–	) Nut, Hex, Lock, M6 X 1.0, Ss, NI	9
21	1018253	(008000–	) Bracket, Cover	1
22	12317	(008000–	) Screw, Hex, M10 X 1.5 X 30, Ss	4
23	1038123	(008000–	) Bracket Wldt, Pivot, Hppr Door, Lh	1
24	1038134	(008000–	) Bracket Wldt, Pivot, Hppr, Rh	1
25	367313	(008000–	) Bushing, Flng, 1.00b 1.13d 0.50l	2
26	09291	(008000–	) Screw, Hex, M10 X 1.5 X 20, Ss	3
27	07259	(008000–	) Fitting, Grease, Str Pm04 .47l	2
28	1039124	(008000–	) Door Wldt, Hppr	1
29	1044993	(008000–	) Bracket, Cover, Hopper	1
30	08714	(008000–	) Nut, Hex, Lock, M10 X 1.5, NI, Ss	4

**Fig. 34 – Cylindrical Scrub Brush Drive Group, Left Side**

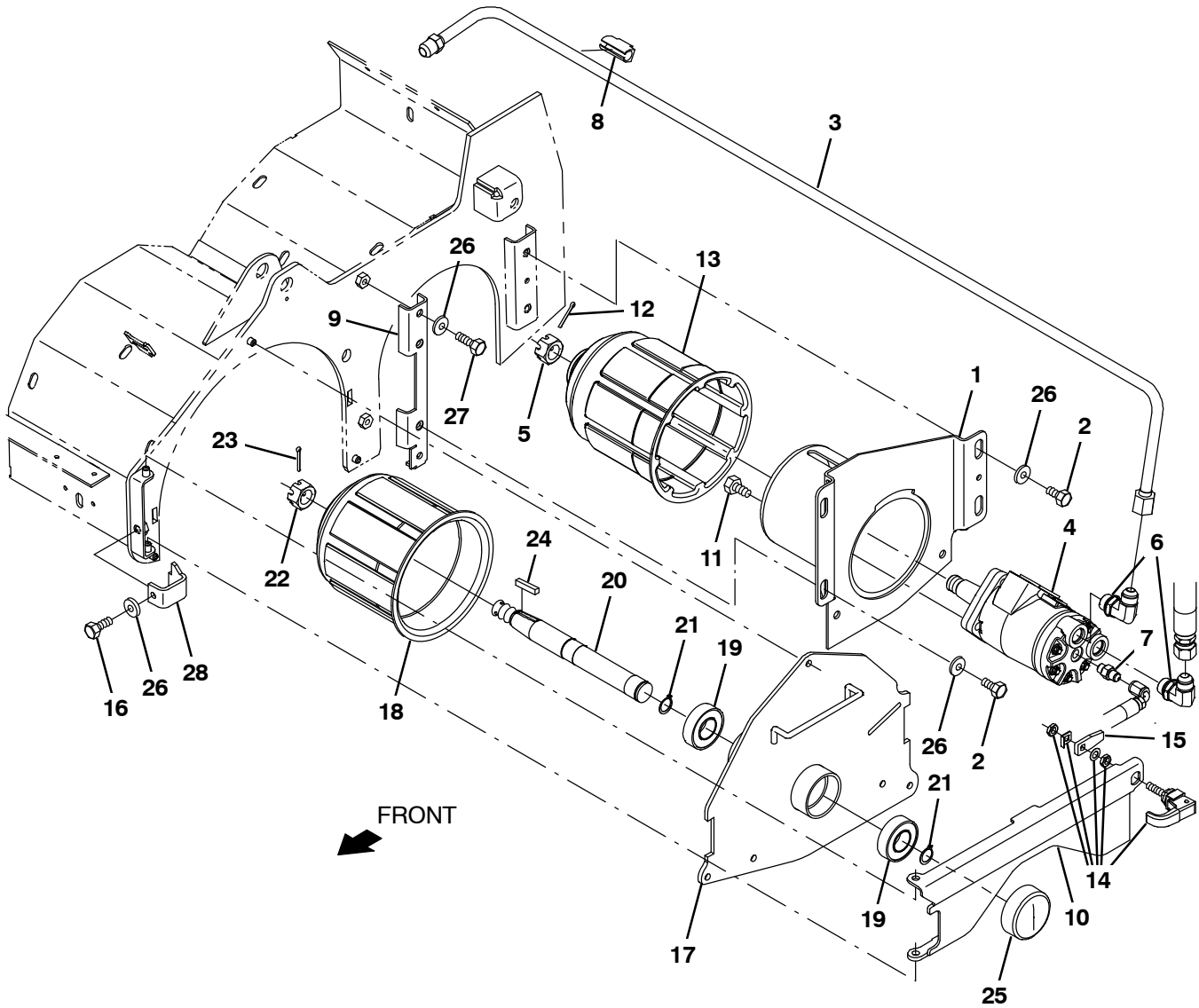




Fig. 34 – Cylindrical Scrub Brush Drive Group, Left Side

Ref.	Part No.	Serial Number	Description	Qty.
	1	1021019	(008000– ) Housing Wldt, Brush, Drive	1
	2	15675	(008000– ) Screw, Hex, M8 X 1.25 X 16, Ss	4
	3	1023617	(008000– ) Tube, Hyd, 08 Jf08/Jm08	1
▽	4	1068811	(008000– ) Motor, Hyd, Gear, Int 04.5 Bi–Dir 1500	1
▲	5	39527	(008000– ) Nut, Hex, Sltd, .75–18	1
	6	44868	(008000– ) Fitting, Hyd, E90, Jm08/Om08	2
	7	55586	(008000– ) Fitting, Hyd, Str, Jm04/Om04	1
	8	1026080	(008000– ) Clamp, Hyd, 0.50d	1
	9	1054575	(008000– ) Bracket, Sppt	1
	10	1029964	(008000– ) Door Wldt, Brush	1
	11	01762	(008000– ) Screw, Hex, .38–16 X 0.75, NI	4
	12	08175	(008000– ) Pin, Cotter, .125 X 1.25	1
	13	1057643	(008000– ) Plug Wldt, Drive, Brush, Sweep	1
	14	1065134	(008000– ) Latch, Cmpr, Yel Grip	1
	15	1026352	(008000– ) Pawl, Str	1
	16	09740	(008000– ) Screw, Hex, M8 X 1.25 X 20, Ss	1
▽		9012832	(008000– ) Idler Door Kit, Replmt [M20/T20/M30/T12]	2
▲	17	1054857	(008000– ) Door Wldt, Brush, Idler	1
▲	18	25686	(008000– ) Plug Wldt, Drive, Brush	1
▲	19	13534	(008000– ) Bearing, Ball, 0.98b 2.05d 0.59w	2
▲	20	56078	(008000– ) Shaft, Brush, Idler	1
▲	21	09005	(008000– ) Ring, Retaining, Ext, 1.00d, Basic	2
▲	22	12295	(008000– ) Nut, Hex, Sltd, M20 X 2.5, 8	1
▲	23	08175	(008000– ) Pin, Cotter, .125 X 1.25	1
▲	24	00927	(008000– ) Key, Sq, 0.25 X 0.25, 1.25l	1
▲	25	1074807	(008000– ) Cap, Vinyl, 57mmid X 23mml	1
	26	32491	(008000– ) Washer, Flat, 0.31, Std	7
	27	09010	(008000– ) Screw, Hex, M8 X 1.25 X 25, Ss	2
	28	1054682	(008000– ) Bracket, Retainer, Lh	1

**Fig. 35 - Cylindrical Scrub Brush Drive Group, Right Side**

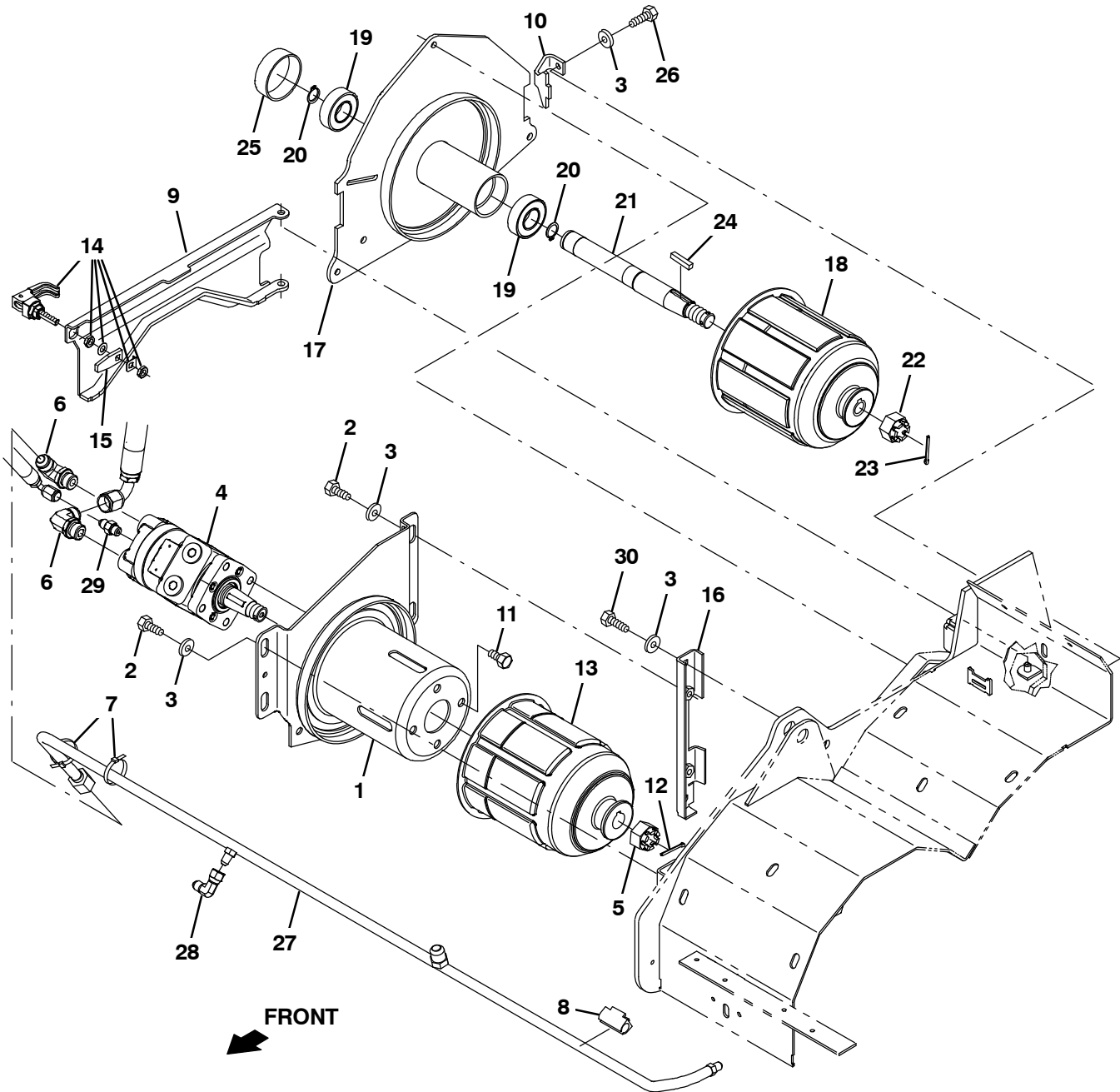


Fig. 35 – Cylindrical Scrub Brush Drive Group, Right Side

Ref.	Part No.	Serial Number	Description	Qty.
	1	1021019	(008000– ) Housing Wldt, Brush, Drive	1
	2	15675	(008000– ) Screw, Hex, M8 X 1.25 X 16, Ss	4
	3	32491	(008000– ) Washer, Flat, 0.31, Std	7
▽	4	1068811	(008000– ) Motor, Hyd, Gear, Int 04.5 Bi-Dir 1500	1
▲	5	39527	(008000– ) Nut, Hex, Sltd, .75–16	1
	6	44868	(008000– ) Fitting, Hyd, E90, Jm08/Om08	2
	7	49266	(008000– ) Tie, Cable, Nyl, 07.3l .19w 1.8 Max D	2
	8	1026080	(008000– ) Clamp, Hyd, 0.50d	1
	9	1029964	(008000– ) Door Wldt, Brush	1
	10	1054610	(008000– ) Bracket, Retainer, Rh	1
	11	01762	(008000– ) Screw, Hex, .38–16 X 0.75, NI	4
	12	08175	(008000– ) Pin, Cotter, .125 X 1.25	1
	13	1057643	(008000– ) Plug Wldt, Drive, Brush, Sweep	1
	14	1065134	(008000– ) Latch, Cmpr, Yel Grip	1
	15	1026352	(008000– ) Pawl, Str	1
	16	1054575	(008000– ) Bracket, Sppt	1
▽		9012832	(008000– ) Idler Door Kit, Replmt [M20/T20/M30/T12]	2
▲	17	1054857	(008000– ) Door Wldt, Brush, Idler	1
▲	18	25686	(008000– ) Plug Wldt, Drive, Brush	1
▲	19	13534	(008000– ) Bearing, Ball, 0.98b 2.05d 0.59w	2
▲	20	09005	(008000– ) Ring, Retaining, Ext, 1.00d, Basic	2
▲	21	56078	(008000– ) Shaft, Brush, Idler	1
▲	22	12295	(008000– ) Nut, Hex, Sltd, M20 X 2.5, 8	1
▲	23	08175	(008000– ) Pin, Cotter, .125 X 1.25	1
▲	24	00927	(008000– ) Key, Sq, 0.25 X 0.25, 1.25l	1
▲	25	1074807	(008000– ) Cap, Vinyl, 57mmid X 23mml	1
	26	09740	(008000– ) Screw, Hex, M8 X 1.25 X 20, Ss	1
	27	1055139	(008000– ) Tube, Hyd, Brush Return, W/ Cd [M20/T20]	1
	28	39210	(008000– ) Fitting, Hyd, E90, Jf04/Jm04	1
	29	55586	(008000– ) Fitting, Hyd, Str, Jm04/Om04	1
	30	09010	(008000– ) Screw, Hex, M8 X 1.25 X 25, Ss	2

**Fig. 36 - Cylindrical Scrub Brush Head Lift Group**

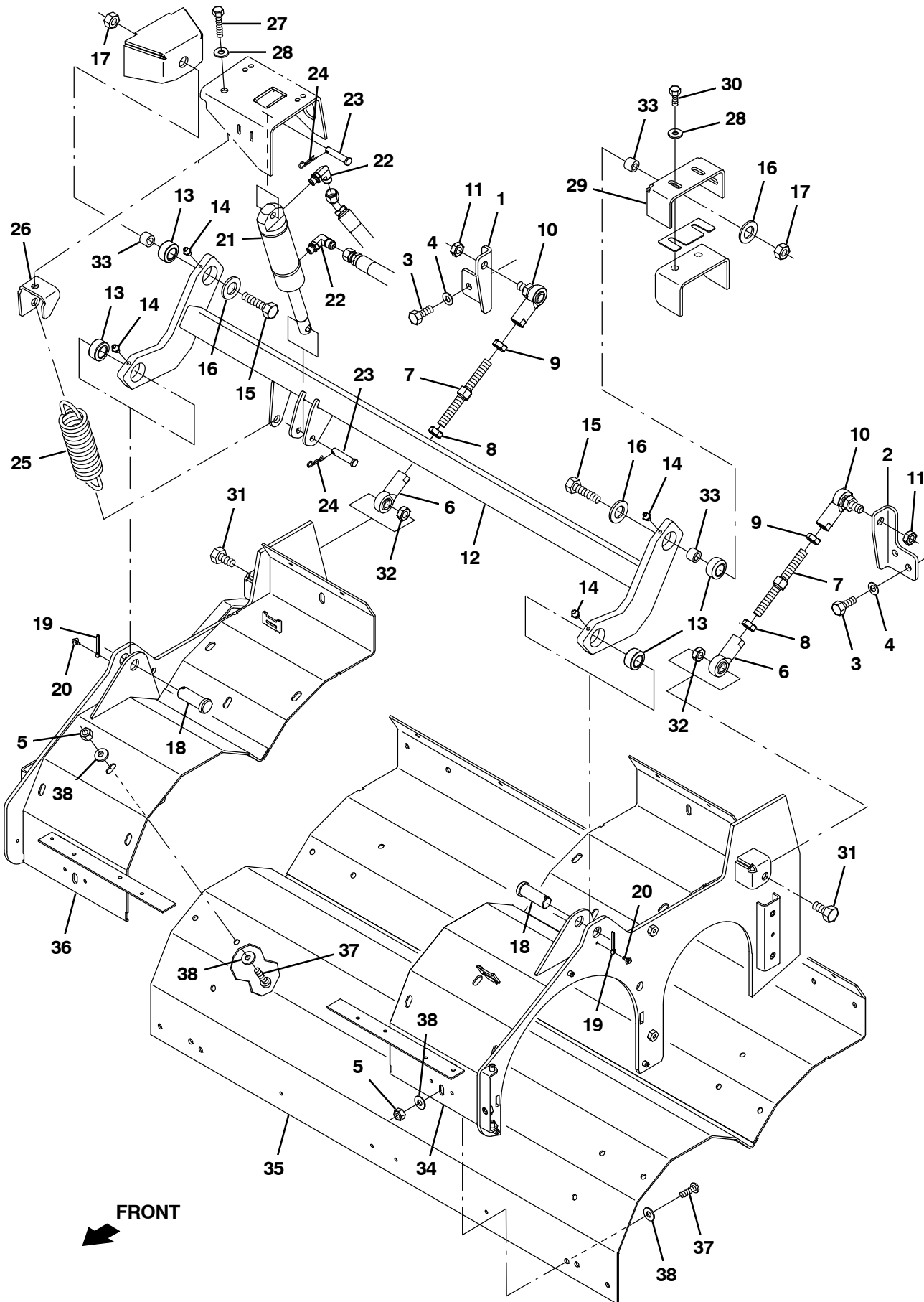


Fig. 36 – Cylindrical Scrub Brush Head Lift Group

Ref.	Part No.	Serial Number	Description	Qty.
1	1030910	(008000–	) Bracket, Mtg, Scb Head, Rh	1
2	1030911	(008000–	) Bracket, Mtg, Scb Head, Lh	1
3	09028	(008000–	) Screw, Hex, M10 X 1.5 X 25, Ss	4
4	32485	(008000–	) Washer, Flat, 0.38 Sae	4
5	08713	(008000–	) Nut, Hex, Lock, M8 X 1.25, NI, Ss	10
6	67555	(008000–	) Rod–End, .50–20rh Fem 0.50b	2
7	1014705	(008000–	) Rod, Thrd, 2 End, .50–20 04.9l, Rh / Lh	2
8	48985	(008000–	) Nut, Hex, Jam, .50–20	2
9	71369	(008000–	) Nut, Hex, Jam, .50–20, Lh	2
10	382099	(008000–	) Rod–End, .50–20lh Fem 0.50–20stud	2
11	51824	(008000–	) Nut, Hex, Lock, .50–20, NI, Thin	2
12	1020003	(008000–	) Tube Wldt, Torque	1
13	42120	(008000–	) Bearing, Self Align, 0.75b 1.25d	4
14	07259	(008000–	) Fitting, Grease, Str Pm04 .47l	4
15	06969	(008000–	) Screw, Hex, M12 X 1.75 X 40, 8.8	2
16	41619	(008000–	) Washer, Flat, 0.56b 1.38d .11, Ss	2
17	09741	(008000–	) Nut, Hex, Lock, M12 X 1.75, NI, Ss	2
18	04733–12	(008000–	) Pin, Clevis, 0.75d X 2.00l	2
19	08236	(008000–	) Pin, Cotter, .156 X 1.25	2
20	223198	(008000–	) Screw, Hex, M5 X 0.8 X 10, Fmg	2
21	1038137	(008000–	) Cylinder, Hyd, 1.5b 07.8l 02.80strk 2500	1
22	77098	(008000–	) Fitting, Hyd, E90, Jm06/Om04	2
23	17461	(008000–	) Pin, Clevis, 0.37d X 1.75l	2
24	86866	(008000–	) Pin, Cotter, Hair, 0.38d .072 Wir	2
25	1042686	(008000–	) Spring, Extn, 2.00od 0.25wir 07.5l	1
26	1027810	(008000–	) Bracket, Mtg, Spring	1
27	763090	(008000–	) Screw, Hex, M8 X 1.25 X 60, FI	1
28	32491	(008000–	) Washer, Flat, 0.31, Std	4
29	1019146	(008000–	) Bracket, Mtg, Lift, Scb Head	1
30	09740	(008000–	) Screw, Hex, M8 X 1.25 X 20, Ss	3
31	39811	(008000–	) Screw, Hex, .50–13 X 1.50, 5	2
32	36644	(008000–	) Nut, Hex, Lock, .50–13, NI, Thin	2
33	1025100	(008000–	) Sleeve, P/M, 0.47b 0.75d 0.5l [430ss]	3
34	1052342	(008000–	) Bracket Wldt, Brush Wrap, Lh	1
35	1069562	(008000–	) Plate Wldt, Wrap, Brush	1
36	1052124	(008000–	) Bracket Wldt, Brush Wrap Mtg, Rh	1
37	223470	(008000–	) Screw, Btn, M8 X 1.25 X 25, Ss	10
38	32491	(008000–	) Washer, Flat, 0.31, Std	20

Fig. 37 - Cylindrical Brush Head Skirt Group

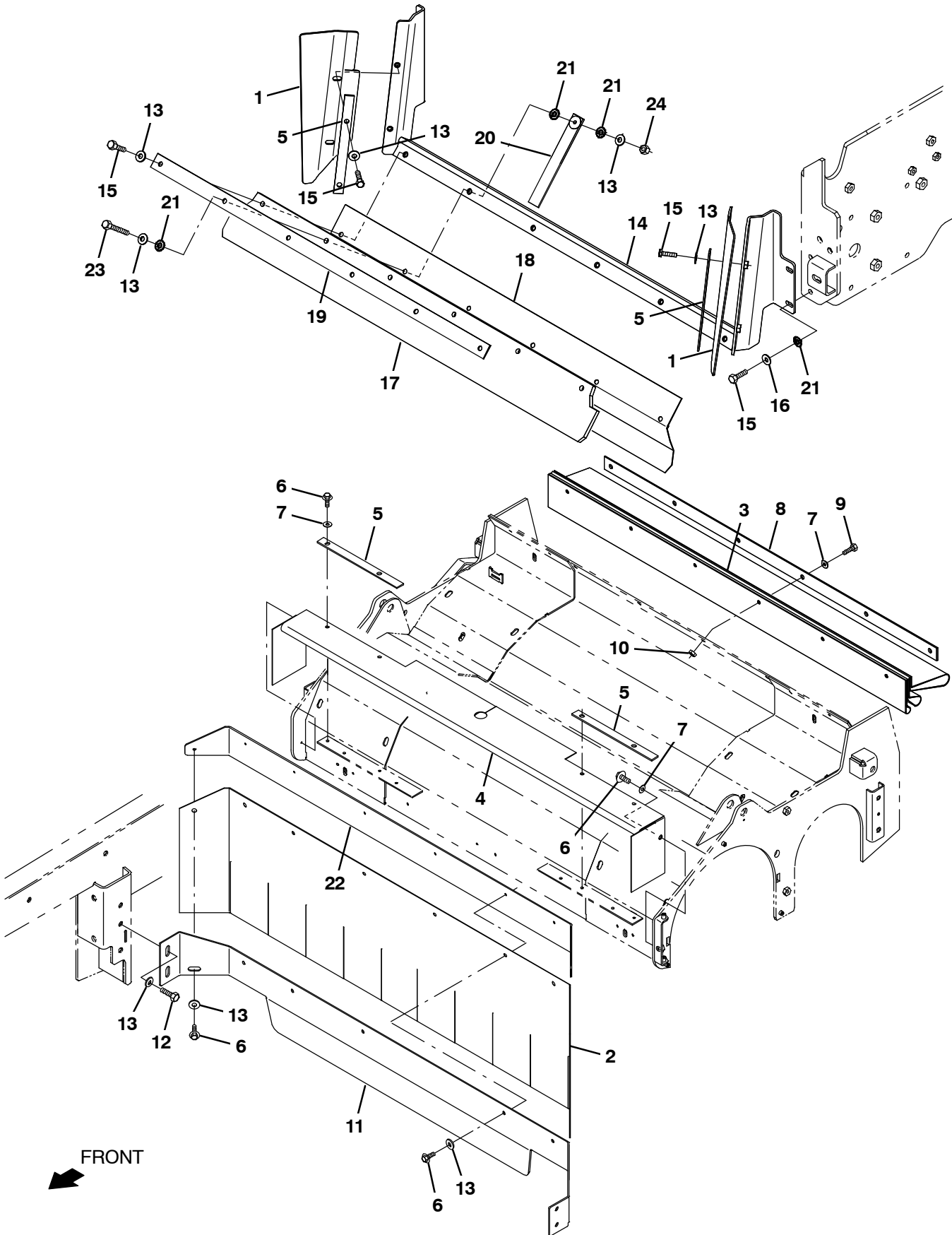


Fig. 37 – Cylindrical Brush Head Skirt Group

Ref.	Part No.	Serial Number	Description	Qty.
1	1022165	(008000–	) Skirt, Neo, .12, 05.39w 14.01l, 02 Sl	2
2	1020166	(008000–	) Skirt, Neo, .06, 12.00w 45.88l, 07 Hole	1
3	1026108	(008000–	) Skirt, Neo, .06, 26.99w 40.55l, 36 Hole	1
4	1022363	(008000–	) Skirt, Neo, .06, 07.63w 51.52l, 11 Hole	1
5	1022003	(008000–	) Retainer, Skirt	4
6	361339	(008000–	) Screw, Hex, M6 X 1.0 X 16, Fmg	13
7	01684	(008000–	) Washer, Flat, 0.25, Ss	12
8	1020828	(008000–	) Strip, Flap, Recirculation	1
9	07805	(008000–	) Screw, Hex, M6 X 1.0 X 35, Ss	6
10	08712	(008000–	) Nut, Hex, Lock, M6 X 1.0, Ss, NI	6
11	1039396	(008000–	) Bracket, Mtg, Skirt	1
12	09740	(008000–	) Screw, Hex, M8 X 1.25 X 20, Ss	4
13	01685	(008000–	) Washer, Flat, 0.31, Ss	22
14	1022179	(008000–	) Bracket Wldt, Flap, Recirculation	1
15	09010	(008000–	) Screw, Hex, M8 X 1.25 X 25, Ss	13
16	32491	(008000–	) Washer, Flat, 0.31, Std	4
17	1022007	(008000–	) Skirt, Rbr, .37, 04.50w 40.94l, 06 Hole	1
18	1022009	(008000–	) Skirt, Neo, .06, 06.38w 40.86l, 06 Hole	1
19	1020828	(008000–	) Strip, Flap, Recirculation	1
20	1028852	(008000–	) Strap, Static, Afrmkt	1
21	41141	(008000–	) Washer, Lock, Int–Ext, 0.31	7
22	1040018	(008000–	) Plate, Skirt, Front	1
23	33401	(008000–	) Screw, Hex, M8 X 1.25 X 50, Ss, FI	1
24	08713	(008000–	) Nut, Hex, Lock, M8 X 1.25, NI, Ss	1

**Fig. 38 - Squeegee Lift Group, Rear**

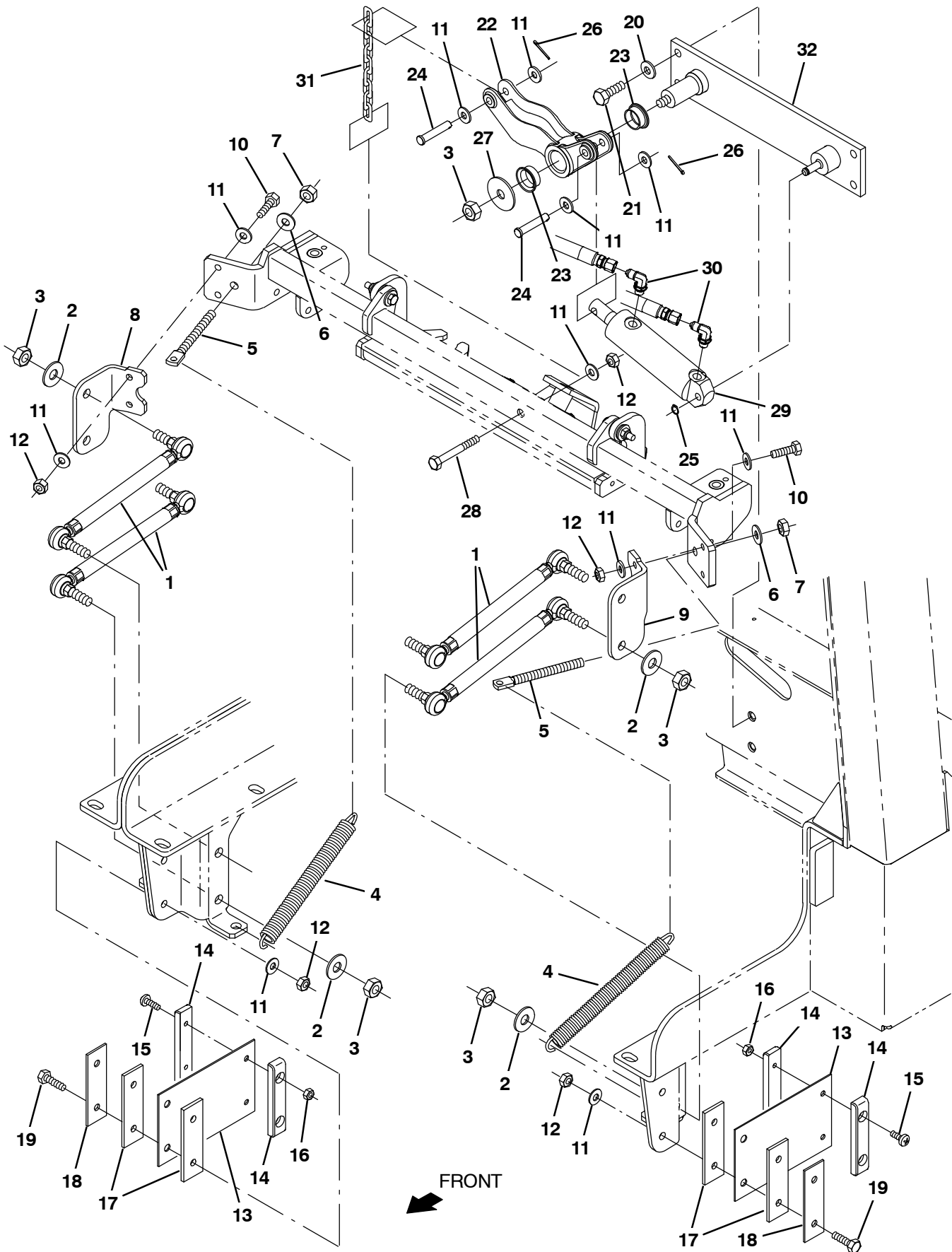




Fig. 38 – Squeegee Lift Group, Rear

Ref.	Part No.	Serial Number	Description	Qty.
1	1026007	(008000–	) Link Assy, Rod–End, M12	4
2	41619	(008000–	) Washer, Flat, 0.56b 1.38d .11, Ss	8
3	09741	(008000–	) Nut, Hex, Lock, M12 X 1.75, NI, Ss	9
4	46785–1	(008000–	) Spring, Extn, 0.88od X 0.14wir, 9.0l	2
5	386847	(008000–	) Bolt, Eye, M10 X 1.50 X 064mm, 07.10 Eye	2
6	01686	(008000–	) Washer, Flat, 0.44b 1.00d .08, Ss	2
7	08714	(008000–	) Nut, Hex, Lock, M10 X 1.5, NI, Ss	2
8	1022372	(008000–	) Angle, Rh	1
9	1022442	(008000–	) Angle, Lh	1
10	09010	(008000–	) Screw, Hex, M8 X 1.25 X 25, Ss	4
11	01685	(008000–	) Washer, Flat, 0.31, Ss	15
12	08713	(008000–	) Nut, Hex, Lock, M8 X 1.25, NI, Ss	9
13	71204	(008000–	) Spring, Flt, 0.08th, 4.50w X 07.0l	2
14	1024648	(008000–	) Block, Centering	4
15	367770	(008000–	) Screw, Pan, M6 X 1.0 X 16, Ss	4
16	08712	(008000–	) Nut, Hex, Lock, M6 X 1.0, Ss, NI	4
17	1024641	(008000–	) Spacer, Pad, Rbr	4
18	1024703	(008000–	) Retainer, Spring	2
19	09023	(008000–	) Screw, Hex, M8 X 1.25 X 35, Ss, Fl	4
20	41187	(008000–	) Washer, Flat, Belleville, .38	4
21	12317	(008000–	) Screw, Hex, M10 X 1.5 X 30, Ss	4
22	1025680	(008000–	) Bellcrank, Lift, Sqge	1
23	367313	(008000–	) Bushing, Flng, 1.00b 1.13d 0.50l	2
24	29584	(008000–	) Pin, Clevis, 0.37d X 2.00l	2
25	23524–1	(008000–	) Ring, Retaining, Ext, 0.38d, [Selflock]	1
26	08179	(008000–	) Pin, Cotter, .094 X 1.00	2
27	04414	(008000–	) Washer, Flat, 0.53b 1.88d .12, Stl, Pl	1
28	06957	(008000–	) Screw, Hex, M8 X 1.25 X 60, 8.8	1
29	1038137	(008000–	) Cylinder, Hyd, 1.5b 07.8l 02.80strk 2500	1
30	77097	(008000–	) Fitting, Hyd, E90, Jm04/Om04	2
31	1023779	(008000–	) Chain, Str, 4/0, 08 Link	1
32	1021609	(008000–	) Plate Wldt, Lift, Sqge	1

**Fig. 39 – Squeegee Group, Rear**

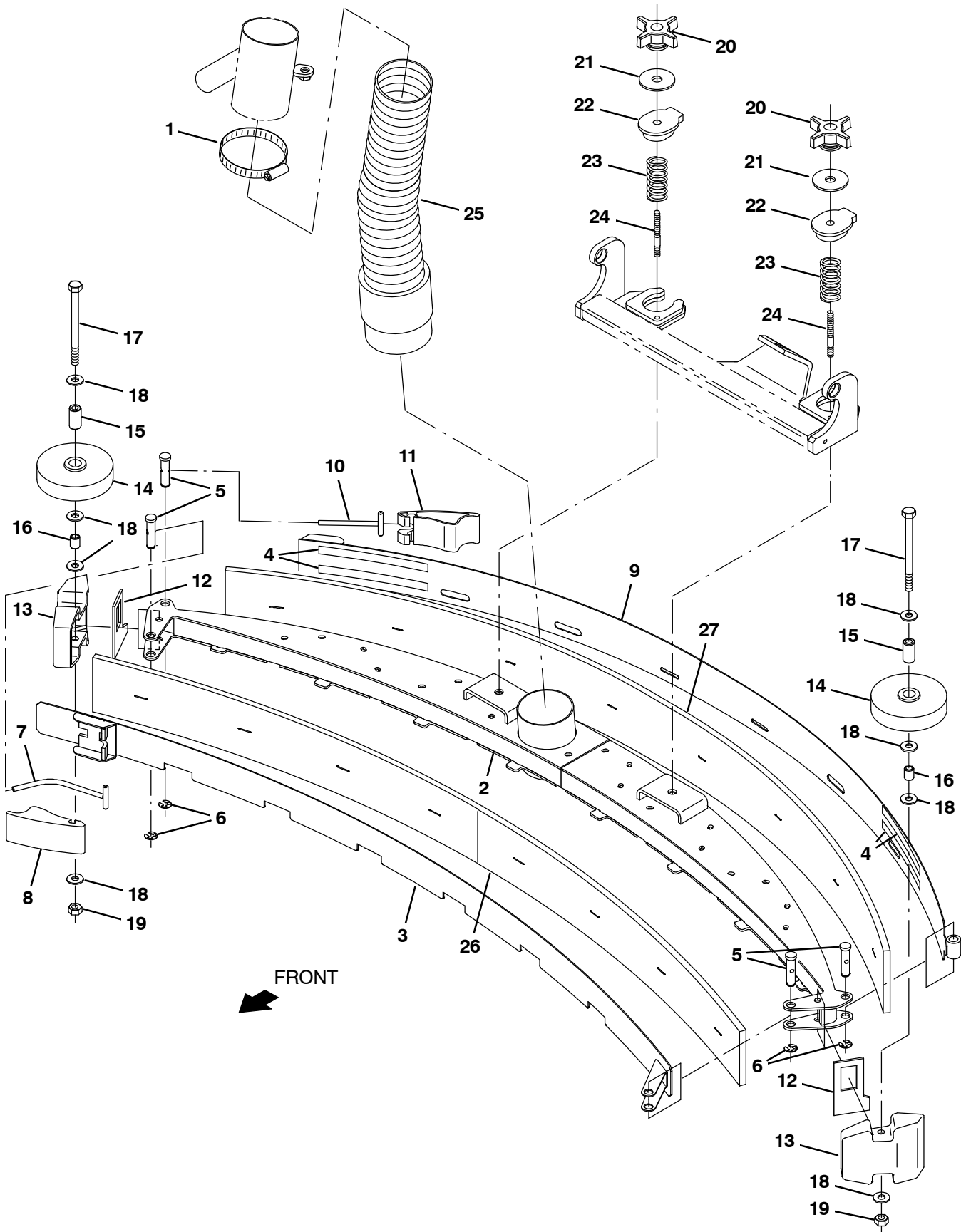


Fig. 39 – Squeegee Group, Rear

Ref.	Part No.	Serial Number	Description	Qty.
	1	43555	(008000– ) Clamp, Hose, Wormdrive, 2.50–3.50d, .50w	1
▽	9004493	(008000– )	Squeegee Kit, Rear, Replmt [M20/T20]	1
▲	2	1022831	(008000– ) Squeegee Wldt, Rear	1
▲	3	1023239	(008000– ) Clamp Wldt, Front	1
▲	4	03495	(008000– ) Strip, Non-Slip, 0.50w 06.0l	4
▲	5	21603	(008000– ) Pin, Grvd, 0.43d 01.8l [303ss]	4
▲	6	24555	(008000– ) Ring, Retaining, Ext, 0.38d, [E-Ring]	4
▲	7	386298	(008000– ) Pin Wldt, Front	1
▲	8	1222020	(008000– ) Cam, Front, Yellow	1
▲	9	1028374	(008000– ) Clamp Wldt, Rear	1
▲	10	21606	(008000– ) Bar Wldt, Retainer, Sqge, Rear	1
▲	11	1208906	(008000– ) Cam, Rear, Yellow	1
▲	12	83874	(008000– ) Gasket, Sqge	2
▲	13	386264	(008000– ) Bumper, Sqge	2
▲	14	363162	(008000– ) Wheel, 4.0d 0.89w 0.64b	2
▲	15	363301	(008000– ) Sleeve, P/M, 0.34b 0.63d 1.2l, Bnz	2
▲	16	80395	(008000– ) Sleeve, P/M, 0.31b 0.50d 0.7l [430ss]	2
▲	17	364441	(008000– ) Screw, Hex, M8 X 1.25 X 110, Ss	2
▲	18	01685	(008000– ) Washer, Flat, 0.31, Ss	8
▲	19	08713	(008000– ) Nut, Hex, Lock, M8 X 1.25, NI, Ss	2
	20	1218322	(008000– ) Knob, Star, 2.75d 4ear, M8x1.25 Fem	2
	21	04414	(008000– ) Washer, Flat, 0.53b 1.88d .12, Stl, Pl	2
	22	387433	(008000– ) Ring, Mtg, Sqge, .50l	2
	23	387500	(008000– ) Spring, Cmpr, 0.9od .042wir 02.0l	2
	24	1226700	(008000– ) Stud, M8 X 1.25, 2.75l M8 X 1.25, Ss	2
	25	1021511	(008000–010516 ) Hose, Vacuum, 3.00id X 019.0l, 1cuff	1
	25	1234534	(010517– ) Hose, Vacuum, 3.00id X 019.0l, 1cuff	1
	26	1017868	(008000– ) Blade, Sqge, Front, 49.58l [Linard]	1
	26	1027719	(008000– ) Blade, Sqge, Front, 49.58l Ure (Option)	1
	27	1031331	(008000– ) Blade, Sqge, Rear, Linatex	1
	27	1031945	(008000– ) Blade, Sqge, Rear, 53.78l Ure (Option)	1

**Fig. 40 – Squeegee Linkage Group, Rear**

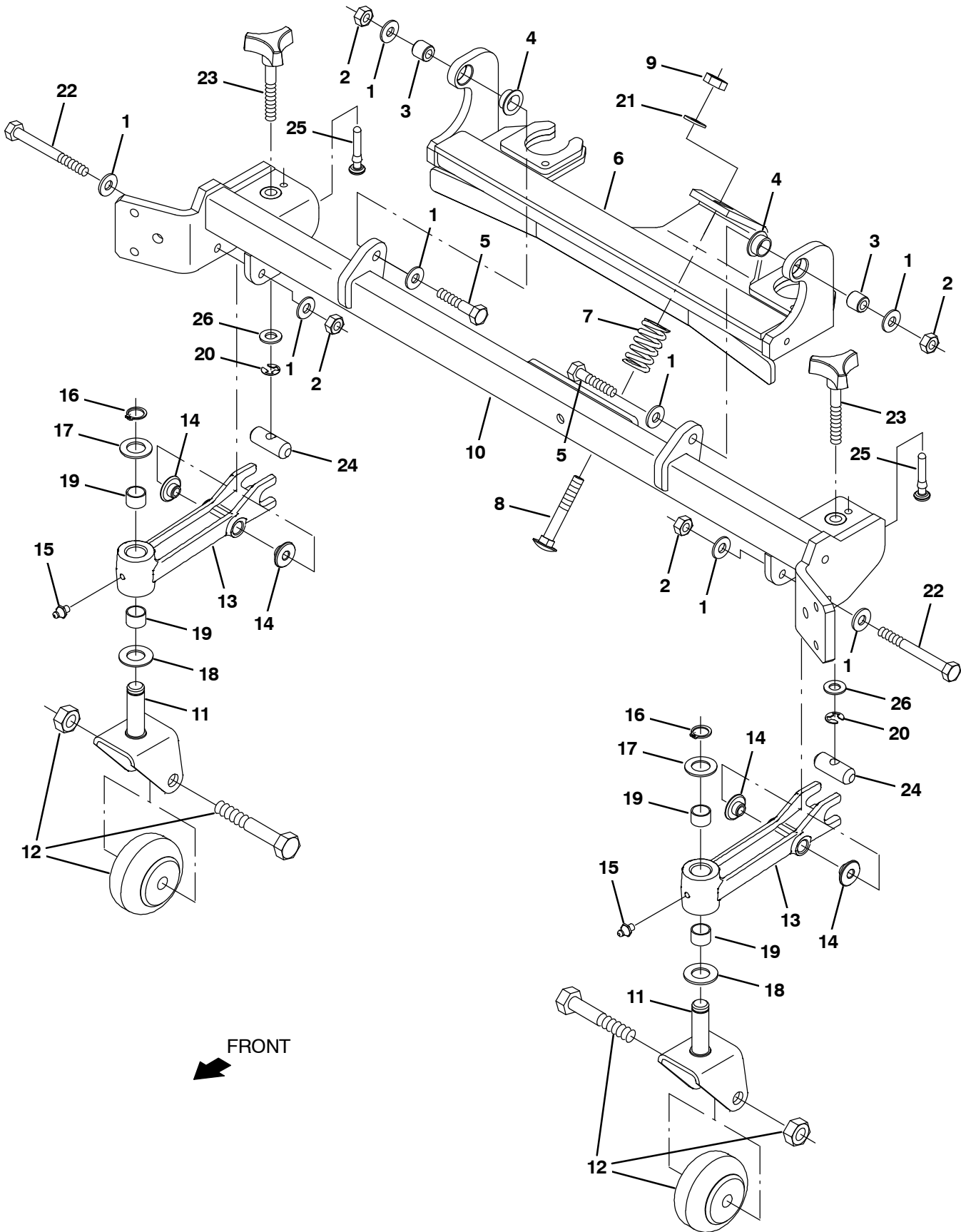


Fig. 40 - Squeegee Linkage Group, Rear

Ref.	Part No.	Serial Number	Description	Qty.
1	01685	(008000-	) Washer, Flat, 0.31, Ss	8
2	08713	(008000-	) Nut, Hex, Lock, M8 X 1.25, NI, Ss	4
3	80409	(008000-	) Sleeve, P/M, 0.34b 0.63d 0.6l, Bnz	2
4	25735	(008000-	) Bushing, Flng, 0.63b 0.75d 0.38l	2
5	222505	(008000-	) Screw, Hex, M8 X 1.25 X 45, Ss	2
6	1023476	(008000-	) Bracket Wldt, Mtg, Sqge	1
7	65180	(008000-	) Spring, Dsl, 1.00od 0.50id 1.7l	1
8	1025601	(008000-	) Bolt, Carriage, M10 X 1.5 X 70	1
9	08714	(008000-	) Nut, Hex, Lock, M10 X 1.5, NI, Ss	1
10	1034149	(008000-	) Crossmember Wldt [M20]	1
▽	9017944	(008000-	) Caster Assy, F/ Sqge, Replmt[M20/T20]	2
▲	11 1021404	(008000-	) Bracket Wldt, Mtg, Caster	1
▲	12 9014285	(008000-	) Caster Kit, Rear Squeegee, Am	1
▲	13 1025460	(008000-	) Caster, Pivot	1
▲	14 80950	(008000-	) Bushing, Flng, 0.32b 0.50d 0.24l, Bnz	2
▲	15 07259	(008000-	) Fitting, Grease, Str Pm04 .47l	1
▲	16 33373	(008000-	) Ring, Retaining, Ext, 0.62d, Hd	1
▲	17 63468	(008000-	) Washer, Flat, 0.69b 1.19d .06, Stl, Pl	1
▲	18 64425	(008000-	) Washer, Thrust, 0.61b 1.25d .06, Fgl	1
▲	19 07449	(008000-	) Bushing, Sleeve, 0.62b 0.72d 0.50l, Fgl	2
20	24555	(008000-	) Ring, Retaining, Ext, 0.38d, [E-Ring]	2
21	1014563	(008000-	) Washer, Flat, 0.40b 1.12d .12, Ss	1
22	39281	(008000-	) Screw, Hex, M8 X 1.25 X 90, 8.8	2
23	1222043	(008000-	) Knob Assy, Star, 1.12d 3ear M10, Yellow	2
24	1021497	(008000-	) Pin, 0.63d 01.8l, 1/M10h, 2cham	2
25	1035727	(002050-	) Stop, Rotation	2
26	32485	(008000-	) Washer, Flat, 0.38 Sae	2

Fig. 41 – Squeegee Group, Right Side

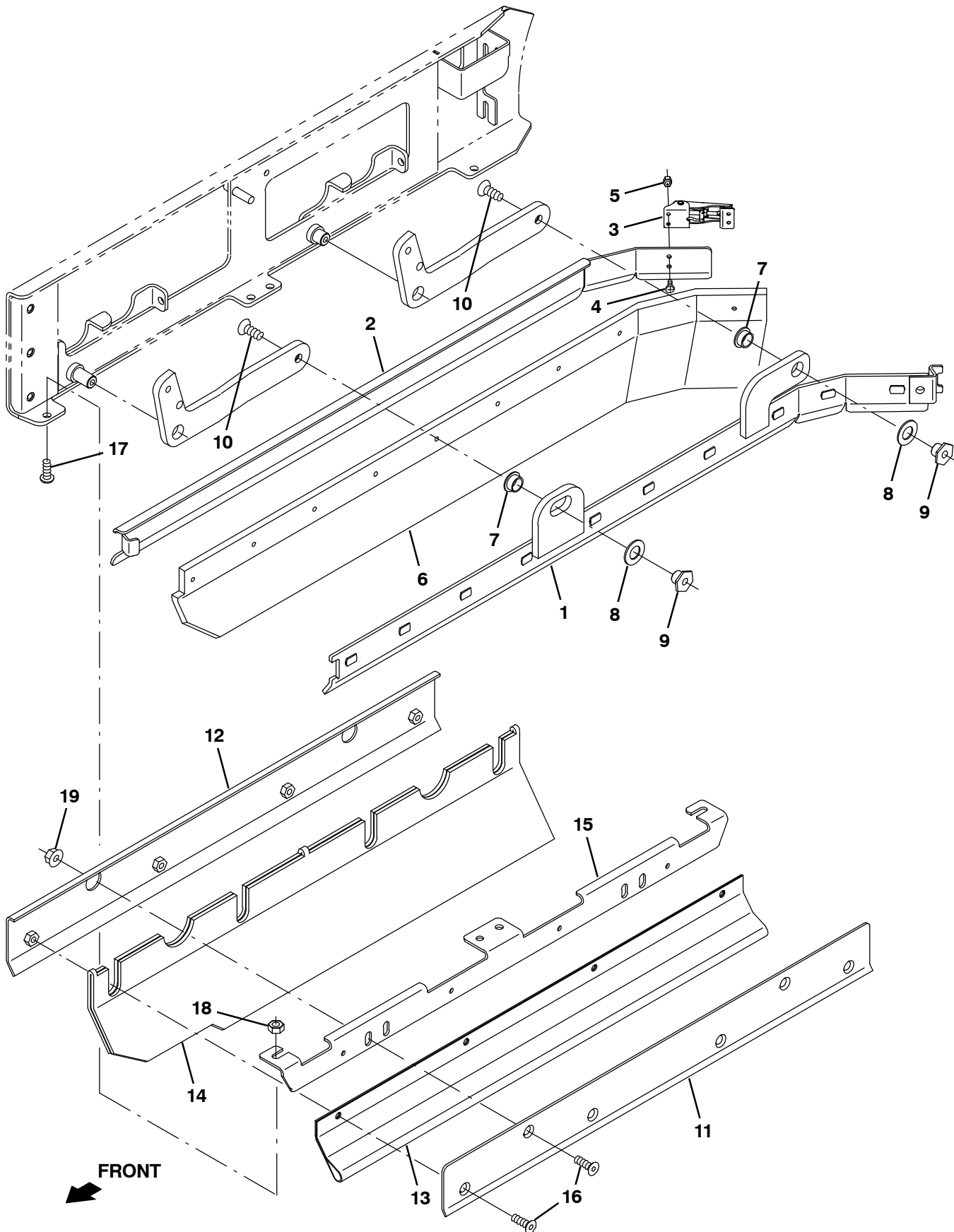


Fig. 41 - Squeegee Group, Right Side

Ref.	Part No.	Serial Number	Description	Qty.
1	1029132	(008000-	) Frame Wldt, Sqge, Rh	1
2	1029128	(008000-	) Retainer, Sqge, Side, Rh	1
3	1222018	(008000-	) Latch, Door, Yellow	1
4	49697	(008000-	) Screw, Pan, M4 X 0.7 X 10, Ss	2
5	33932	(008000-	) Nut, Hex, Lock, M4 X 0.7, NI, Ss	2
6	1031011	(008000-	) Blade, Sqge, .38 3.55w 038.3l, Linatex	1
6	1031823	(008000-	) Blade, Sqge, .38 3.55w 038.3l, Ure (Option)	1
7	25735	(008000-	) Bushing, Flng, 0.63b 0.75d 0.38l	2
8	64425	(008000-	) Washer, Thrust, 0.61b 1.25d .06, Fgl	2
9	1022846	(008000-	) Nut, T, M10 X 1.50 X 15.8od X 13.0l	2
10	09081	(008000-	) Screw, Flt, M10 X 1.5 X 25, 10.9	2
11	1024584	(008000-	) Bracket, Mtg, Skirt, Brush Door	1
12	1024651	(008000-	) Bracket, Mtg, Skirt, Door	1
13	1024586	(008000-	) Skirt, Neo, .06, 06.85w 27.95l, 08 Hole	1
14	1019295	(008000-	) Skirt, Neo, .18, 10.37w 27.95l, 12 H&S	1
15	1025151	(008000-	) Bracket, Mtg, Skirt, Door, Brush	1
16	222463	(008000-	) Screw, Flt, M8 X 1.25 X 20, Blk	6
17	393135	(008000-	) Screw, Btn, M8 X 1.25 X 20, Blk	4
18	08713	(008000-	) Nut, Hex, Lock, M8 X 1.25, NI, Ss	4
19	07791	(008000-	) Nut, Hex, Flng, M8 X 1.25	2

**Fig. 42 – Squeegee Lift Group, Right Side**

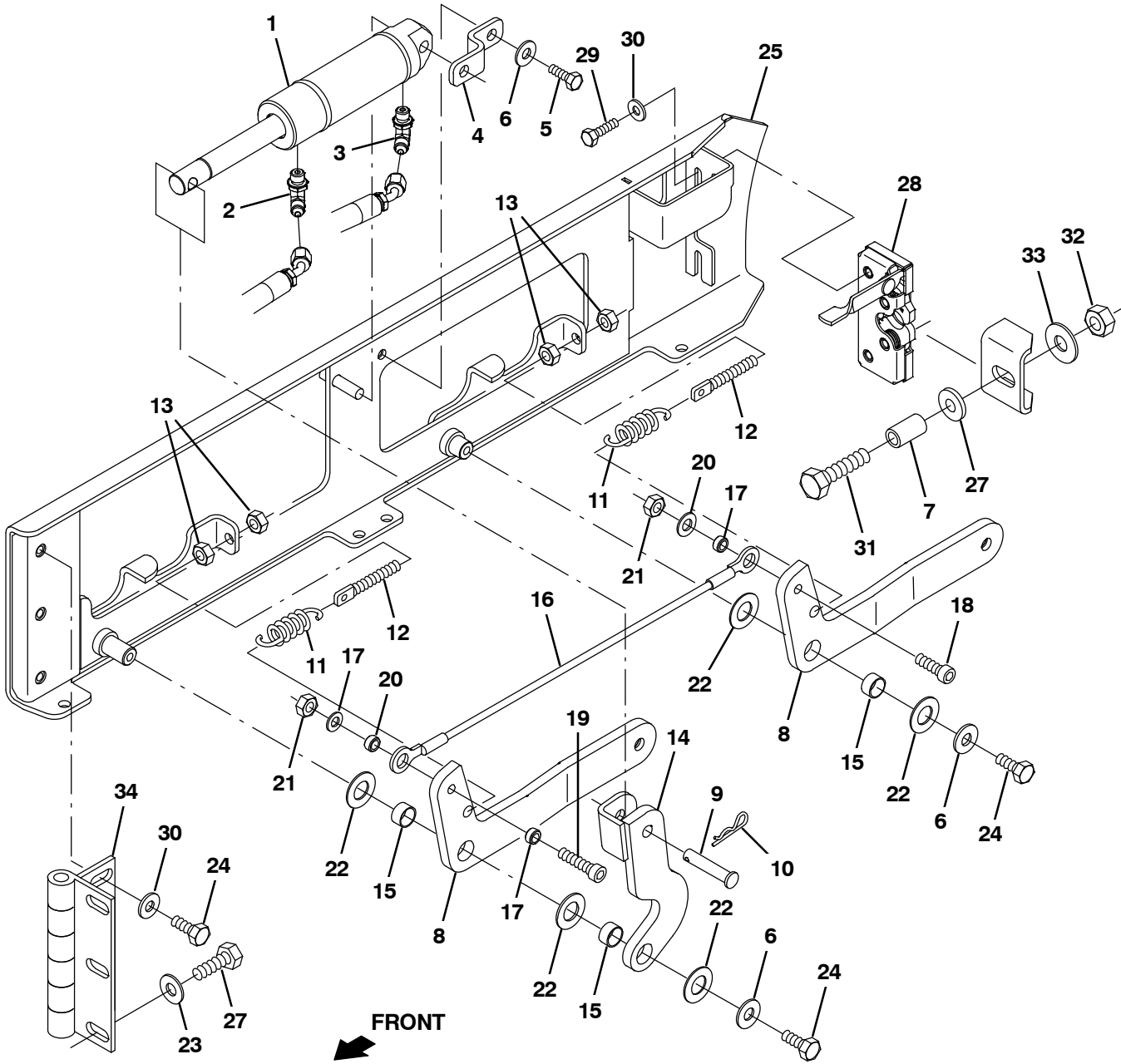




Fig. 42 – Squeegee Lift Group, Right Side

Ref.	Part No.	Serial Number	Description	Qty.
1	1038137	(008000–	) Cylinder, Hyd, 1.5b 07.8l 02.80strk 2500	1
2	77097	(008000–	) Fitting, Hyd, E90, Jm04/Om04	1
3	1028635	(008000–	) Fitting, Hyd, Rst, Spcl	1
4	1022825	(008000–	) Bracket, Mtg, Cyl	1
5	08716	(008000–	) Screw, Hex, M6 X 1.00 X 20, Ss	1
6	01685	(008000–	) Washer, Flat, 0.31, Ss	3
7	1039348	(008000–	) Sleeve, 0.49b 0.68d 1.2l [304ss]	1
8	1020548	(008000–	) Arm, Sqge, Side, Rh	2
9	17461	(008000–	) Pin, Clevis, 0.37D X 1.75L	1
10	08182	(008000–	) Pin, Cotter, .125 X 1.00	1
11	87816	(008000–	) Spring, Extn, 0.75od X 0.09wir, 2.5l	2
12	386088	(008000–	) Bolt, Eye, M08 X 1.25 X 070mm, 05.50 Eye	2
13	07786	(008000–	) Nut, Hex, Std, M8 X 1.25, Ss	4
14	1023306	(008000–	) Arm Wldt, Sqge, Lift, Rh	1
15	71607	(008000–	) Bushing, Sleeve, 0.63b 0.72d 0.38l	3
16	81784	(008000–	) Cable, Glv .13d 015.8l .50eye /.50eye	1
17	360801	(008000–	) Sleeve, 0.31b 0.50d 0.3l, Ss	3
18	39308	(008000–	) Screw, Soc, M8 X 1.25 X 25, 12.9	1
19	41445	(008000–	) Screw, Soc, M8 X 1.25 X 35, 12.9	1
20	39349	(008000–	) Washer, Flat, 0.31 Sae	2
21	08709	(008000–	) Nut, Hex, Lock, M8 X 1.25, NI	2
22	64425	(008000–	) Washer, Thrust, 0.61b 1.25d .06, Fgl	5
23	41187	(008000–	) Washer, Flat, Belleville, .38	3
24	09740	(008000–	) Screw, Hex, M8 X 1.25 X 20, Ss	5
25	1019031	(008000–	) Door Wldt, Brush, Rh	1
26	09028	(008000–	) Screw, Hex, M10 X 1.5 X 25, Ss	3
27	36328	(008000–	) Washer, Flat, Belleville, .50	1
28	1222036	(008000–	) Latch, Hook, Yellow	1
29	09007	(008000–	) Screw, Hex, M6 X 1.0 X 25, Ss	2
30	41185	(008000–	) Washer, Flat, Belleville, .25	5
31	379870	(008000–	) Screw, Hex, M12 X 1.75 X 55, Ss	1
32	07788	(008000–	) Nut, Hex, Std, M12 X 1.75, Ss	1
33	41619	(008000–	) Washer, Flat, 0.56b 1.38d .11, Ss	1
34	1024576	(008000–	) Hinge, .50pin .19 4.0w 06.0l 3/0.44sl	1

**Fig. 43 – Squeegee Group, Left Side**

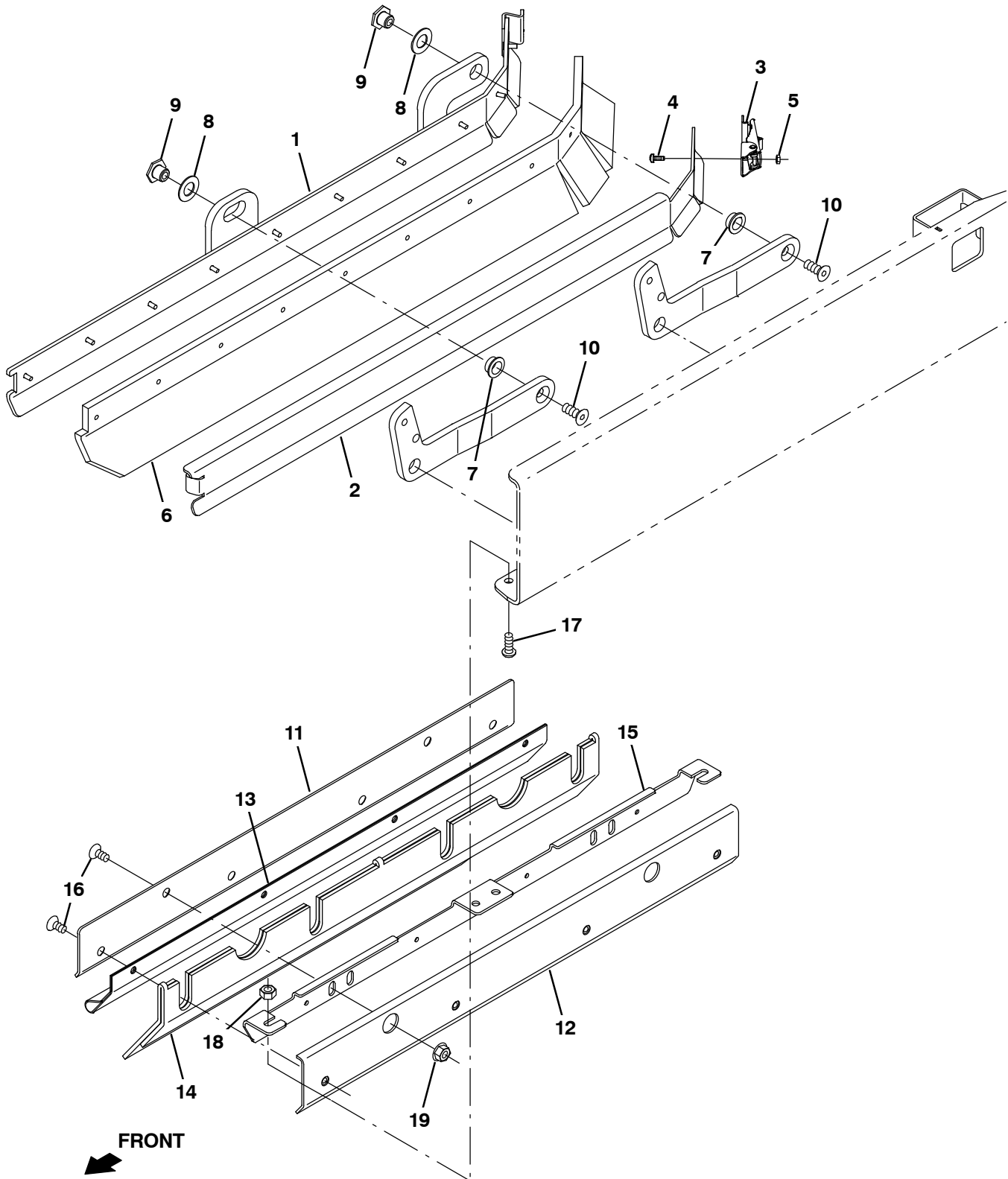


Fig. 43 - Squeegee Group, Left Side

Ref.	Part No.	Serial Number	Description	Qty.
1	1028972	(008000-	) Frame Wldt, Sqge, Lh	1
2	1028979	(008000-	) Retainer, Sqge, Side, Lh	1
3	1222018	(008000-	) Latch, Door, Yellow	1
4	49697	(008000-	) Screw, Pan, M4 X 0.7 X 10, Ss	2
5	33932	(008000-	) Nut, Hex, Lock, M4 X 0.7, NI, Ss	2
6	1031011	(008000-	) Blade, Sqge, .38 3.55w 038.3l, Linatex	1
6	1031823	(008000-	) Blade, Sqge, .38 3.55w 038.3l, Ure (Option)	1
7	25735	(008000-	) Bushing, Flng, 0.63b 0.75d 0.38l	2
8	64425	(008000-	) Washer, Thrust, 0.61b 1.25d .06, Fgl	2
9	1022846	(008000-	) Nut, T, M10 X 1.50 X 15.8od X 13.0l	2
10	09081	(008000-	) Screw, Flt, M10 X 1.5 X 25, 10.9	2
11	1024584	(008000-	) Bracket, Mtg, Skirt, Brush Door	1
12	1024651	(008000-	) Bracket, Mtg, Skirt, Door	1
13	1024586	(008000-	) Skirt, Neo, .06, 06.85w 27.95l, 08 Hole	1
14	1019295	(008000-	) Skirt, Neo, .18, 10.37w 27.95l, 12 H&S	1
15	1025151	(008000-	) Bracket, Mtg, Skirt, Door, Brush	1
16	222463	(008000-	) Screw, Flt, M8 X 1.25 X 20, Blk	6
17	393135	(008000-	) Screw, Btn, M8 X 1.25 X 20, Blk	4
18	08713	(008000-	) Nut, Hex, Lock, M8 X 1.25, NI, Ss	4
19	07791	(008000-	) Nut, Hex, Flng, M8 X 1.25	2

**Fig. 44 - Squeegee Lift Group, Left Side**

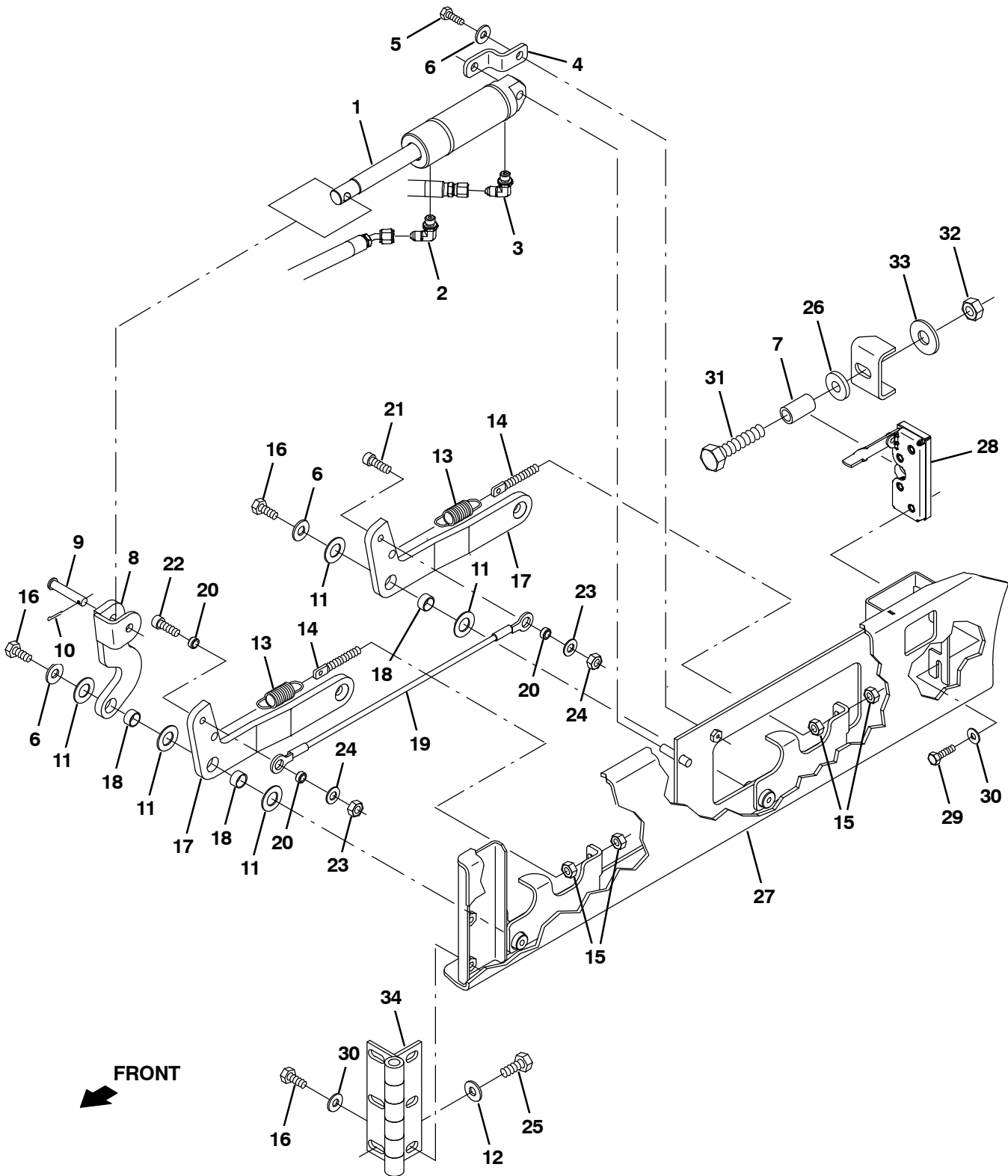


Fig. 44 – Squeegee Lift Group, Left Side

Ref.	Part No.	Serial Number	Description	Qty.
1	1038137	(008000–	) Cylinder, Hyd, 1.5b 07.8l 02.80strk 2500	1
2	77097	(008000–	) Fitting, Hyd, E90, Jm04/Om04	1
3	1028635	(008000–	) Fitting, Hyd, Rst, Spcl	1
4	1022825	(008000–	) Bracket, Mtg, Cyl	1
5	08716	(008000–	) Screw, Hex, M6 X 1.00 X 20, Ss	1
6	01685	(008000–	) Washer, Flat, 0.31, Ss	3
7	1039348	(008000–	) Sleeve, 0.49b 0.68d 1.2l [304ss]	1
8	1022978	(008000–	) Arm Wldt, Lift, Sqge, Lh	1
9	17461	(008000–	) Pin, Clevis, 0.37D X 1.75L	1
10	08182	(008000–	) Pin, Cotter, .125 X 1.00	1
11	64425	(008000–	) Washer, Thrust, 0.61b 1.25d .06, Fgl	5
12	41187	(008000–	) Washer, Flat, Belleville, .38	3
13	87816	(008000–	) Spring, Extn, 0.75od X 0.09wir, 2.5l	2
14	386088	(008000–	) Bolt, Eye, M08 X 1.25 X 070mm, 05.50 Eye	2
15	07786	(008000–	) Nut, Hex, Std, M8 X 1.25, Ss	4
16	09740	(008000–	) Screw, Hex, M8 X 1.25 X 20, Ss	5
17	1023307	(008000–	) Arm, Sqge, Side, Lh	2
18	71607	(008000–	) Bushing, Sleeve, 0.63b 0.72d 0.38l	3
19	81784	(008000–	) Cable, Glv .13d 015.8l .50eye /.50eye	1
20	360801	(008000–	) Sleeve, 0.31b 0.50d 0.3l, Ss	3
21	39308	(008000–	) Screw, Soc, M8 X 1.25 X 25, 12.9	1
22	41445	(008000–	) Screw, Soc, M8 X 1.25 X 35, 12.9	1
23	39349	(008000–	) Washer, Flat, 0.31 Sae	2
24	08709	(008000–	) Nut, Hex, Lock, M8 X 1.25, NI	2
25	09028	(008000–	) Screw, Hex, M10 X 1.5 X 25, Ss	3
26	36328	(008000–	) Washer, Flat, Belleville, .50	1
27	1023314	(008000–	) Door Wldt, Brush, Lh	1
28	1222038	(008000–	) Latch, Hook, Yellow	1
29	09007	(008000–	) Screw, Hex, M6 X 1.0 X 25, Ss	2
30	41185	(008000–	) Washer, Flat, Belleville, .25	5
31	379870	(008000–	) Screw, Hex, M12 X 1.75 X 55, Ss	1
32	07788	(008000–	) Nut, Hex, Std, M12 X 1.75, Ss	1
33	41619	(008000–	) Washer, Flat, 0.56b 1.38d .11, Ss	1
34	1024576	(008000–	) Hinge, .50pin .19 4.0w 06.0l 3/0.44sl	1

**Fig. 45 – Solution Tank Group**

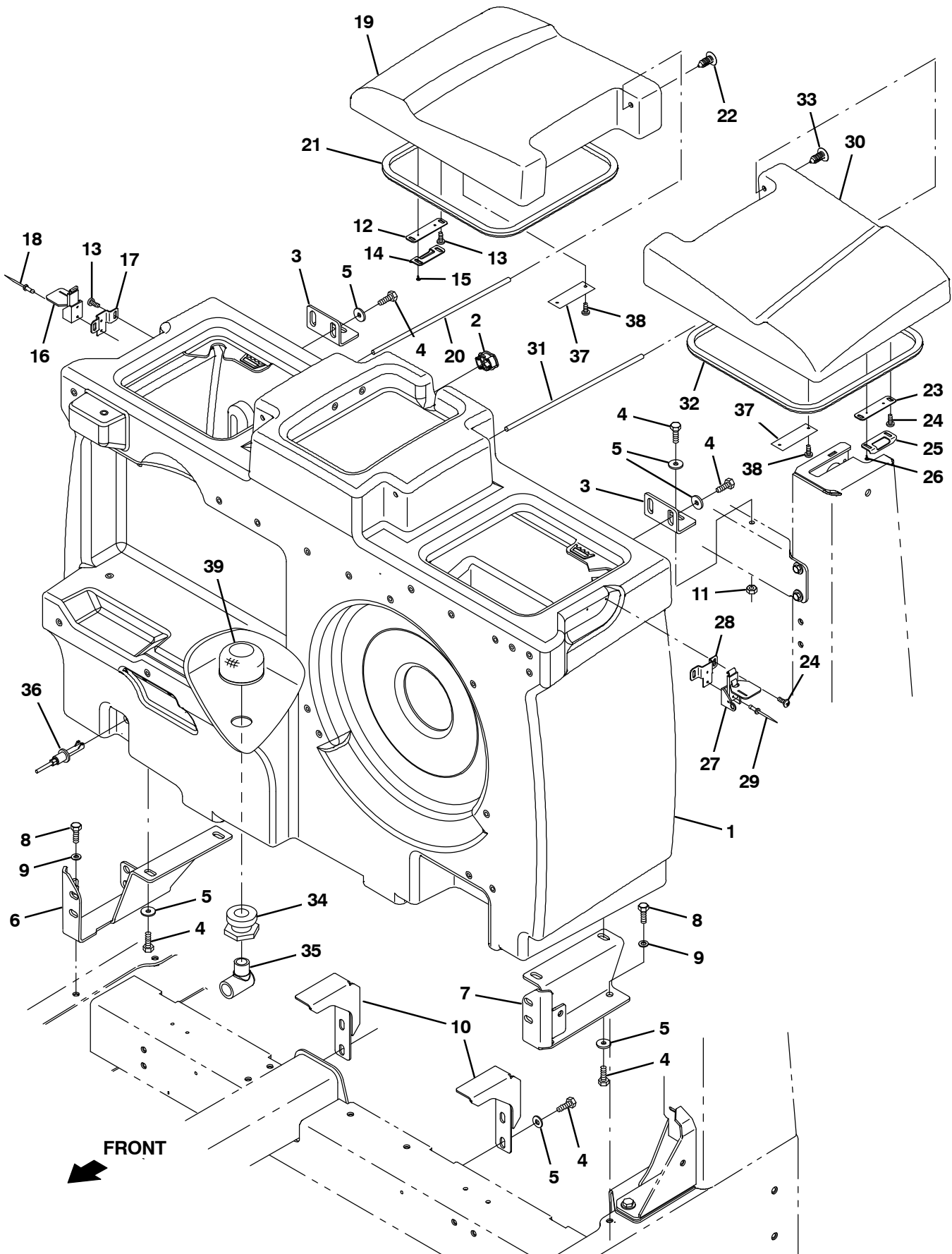


Fig. 45 - Solution Tank Group

Ref.	Part No.	Serial Number	Description	Qty.
1	1027381	(008000-	) Tank, Soltn, W/ Label [M20]	1
2	390994	(008000-	) Plug, Hole, Soltn Tank, Blk Pyu	1
3	1020209	(008000-	) Angle, Sppt, Tank, Rear	2
4	09740	(008000-	) Screw, Hex, M8 X 1.25 X 20, Ss	12
5	1017218	(008000-	) Washer, Flat, 0.32b 1.00d .12, Ss	12
6	1040306	(008000-	) Bracket Wldt, Tank, Soltn, Rh	1
7	1024591	(008000-	) Bracket, Tank, Soltn, Lh	1
8	09010	(008000-	) Screw, Hex, M8 X 1.25 X 25, Ss	4
9	39349	(008000-	) Washer, Flat, 0.31 Sae	4
10	1024389	(008000-	) Bracket, Soltn, Tank, Cntr	2
11	08713	(008000-	) Nut, Hex, Lock, M8 X 1.25, NI, Ss	2
▽	9003069	(008000-	) Cover Kit, Soltn Tank, Rh [M20 & T20]	1
▲▽	9005165	(008000-	) Latch Kit, Cover, Soltn, Replmt[M20/T20]	1
▲▲	12 1039757	(008000-	) Plate, Mtg, Latch	1
▲▲	13 382320	(008000-	) Screw, Pan, Phl, 12-16 X 0.50, F/ Plstc	4
▲▲	14 1048474	(008000-	) Catch, Latch, Tank Cover	1
▲▲	15 222267	(008000-	) Screw, Pan, Phl, 06-20 X 0.50, Fmg/Ab	2
▲▲	16 367949	(008000-	) Latch	1
▲▲	17 1048512	(008000-	) Bracket, Mtg, Latch, Tank Cover	1
▲▲	18 08875	(008000-	) Rivet, Blind, .125d X 0.54 X .25d, Alm	2
▲	19 1022176	(008000-	) Cover, Tank, Soltn, Rh, Trimmed	1
▲	20 1047098	(008000-	) Bar, Rnd, Plstc, 0.31d 12.5l	1
▲	21 1038805	(008000-	) Seal, Bulb, Str, .50Hi .50W 047.2L, Adh	1
▲	22 1068277	(008000-	) Plug, Hole, Rnd, 0.38 H 1.0l, Brb, Nyl	1
▽	9003071	(008000-	) Cover Kit, Tank, Soltn, Rh, Replmt, Ce (Japan and Europe Only)	1
▲▽	9005165	(008000-	) Latch Kit, Cover, Soltn, Replmt[M20/T20]	1
▲▲	12 1039757	(008000-	) Plate, Mtg, Latch	1
▲▲	13 382320	(008000-	) Screw, Pan, Phl, 12-16 X 0.50, F/ Plstc	4
▲▲	14 1048474	(008000-	) Catch, Latch, Tank Cover	1
▲▲	15 222267	(008000-	) Screw, Pan, Phl, 06-20 X 0.50, Fmg/Ab	2
▲▲	16 367949	(008000-	) Latch	1
▲▲	17 1048512	(008000-	) Bracket, Mtg, Latch, Tank Cover	1
▲▲	18 08875	(008000-	) Rivet, Blind, .125d X 0.54 X .25d, Alm	2
▲	19 1031233	(008000-	) Cover, Tank, Soltn, Rh, Trimmed, Ce (Japan and Europe Only)	1
▲	20 1047098	(008000-	) Bar, Rnd, Plstc, 0.31d 12.5l	1
▲	21 1038805	(008000-	) Seal, Bulb, Str, .50Hi .50W 047.2L, Adh	1
▲	22 1068277	(008000-	) Plug, Hole, Rnd, 0.38 H 1.0l, Brb, Nyl	1

(CONTINUED)

# STANDARD PARTS

Fig. 45 – Solution Tank Group

Ref.	Part No.	Serial Number	Description	Qty.
▽	9003068	(008000–	) Cover Kit, Tank, Soltn, Lh, Replmt	1
▲▽	9005165	(008000–	) Latch Kit, Cover, Soltn, Replmt[M20/T20]	1
▲▲	23 1039757	(008000–	) Plate, Mtg, Latch	1
▲▲	24 382320	(008000–	) Screw, Pan, Phl, 12–16 X 0.50, F/ Plstc	4
▲▲	25 1048474	(008000–	) Catch, Latch, Tank Cover	1
▲▲	26 222267	(008000–	) Screw, Pan, Phl, 06–20 X 0.50, Fmg/Ab	2
▲▲	27 367949	(008000–	) Latch	1
▲▲	28 1048512	(008000–	) Bracket, Mtg, Latch, Tank Cover	1
▲▲	29 08875	(008000–	) Rivet, Blind, .125d X 0.54 X .25d, Alm	2
▲	30 1022182	(008000–	) Cover, Tank, Soltn, Lh, Trimmed	1
▲	31 1047098	(008000–	) Bar, Rnd, Plstc, 0.31d 12.5l	1
▲	32 1038805	(008000–	) Seal, Bulb, Str, .50Hi .50W 047.2L, Adh	1
▲	33 1068277	(008000–	) Plug, Hole, Rnd, 0.38 H 1.0l, Brb, Nyl	1
▽	9003070	(008000–	) Cover Kit, Tank, Soltn, Lh, Replmt, Ce (Japan and Europe Only)	1
▲▽	9005165	(008000–	) Latch Kit, Cover, Soltn, Replmt[M20/T20]	1
▲▲	23 1039757	(008000–	) Plate, Mtg, Latch	1
▲▲	24 382320	(008000–	) Screw, Pan, Phl, 12–16 X 0.50, F/ Plstc	4
▲▲	25 1048474	(008000–	) Catch, Latch, Tank Cover	1
▲▲	26 222267	(008000–	) Screw, Pan, Phl, 06–20 X 0.50, Fmg/Ab	2
▲▲	27 367949	(008000–	) Latch	1
▲▲	28 1048512	(008000–	) Bracket, Mtg, Latch, Tank Cover	1
▲▲	29 08875	(008000–	) Rivet, Blind, .125d X 0.54 X .25d, Alm	2
▲	30 1031235	(008000–	) Cover, Tank, Soltn, Lh, Trimmed, Ce (Japan and Europe Only)	1
▲	31 1047098	(008000–	) Bar, Rnd, Plstc, 0.31d 12.5l	1
▲	32 1038805	(008000–	) Seal, Bulb, Str, .50Hi .50W 047.2L, Adh	1
▲	33 1068277	(008000–	) Plug, Hole, Rnd, 0.38 H 1.0l, Brb, Nyl	1
	34 377349	(008000–	) Fitting, Plstc, Pf12/Pf12, Bh	1
	35 69785	(008000–	) Fitting, Plstc, E90, Pf12/Pm12	1
	36 385685	(008000–	) Sensor, Level, Liq, 14vdc 01a .62–11	1
	37 1017101	(008000–	) Plate, Label, Soltn Tank (ec–H20 only)	2
	38 360973	(008000–	) Screw, Pan, 12–16 X 0.50, F/ Plstc (ec–H20 Only)	4
	39 1027290	(008000–	) Filter, Soltn, 20mesh, Pm12 3.1d 02.6l	1





**Fig. 46 – Solution Tank Drain Group**

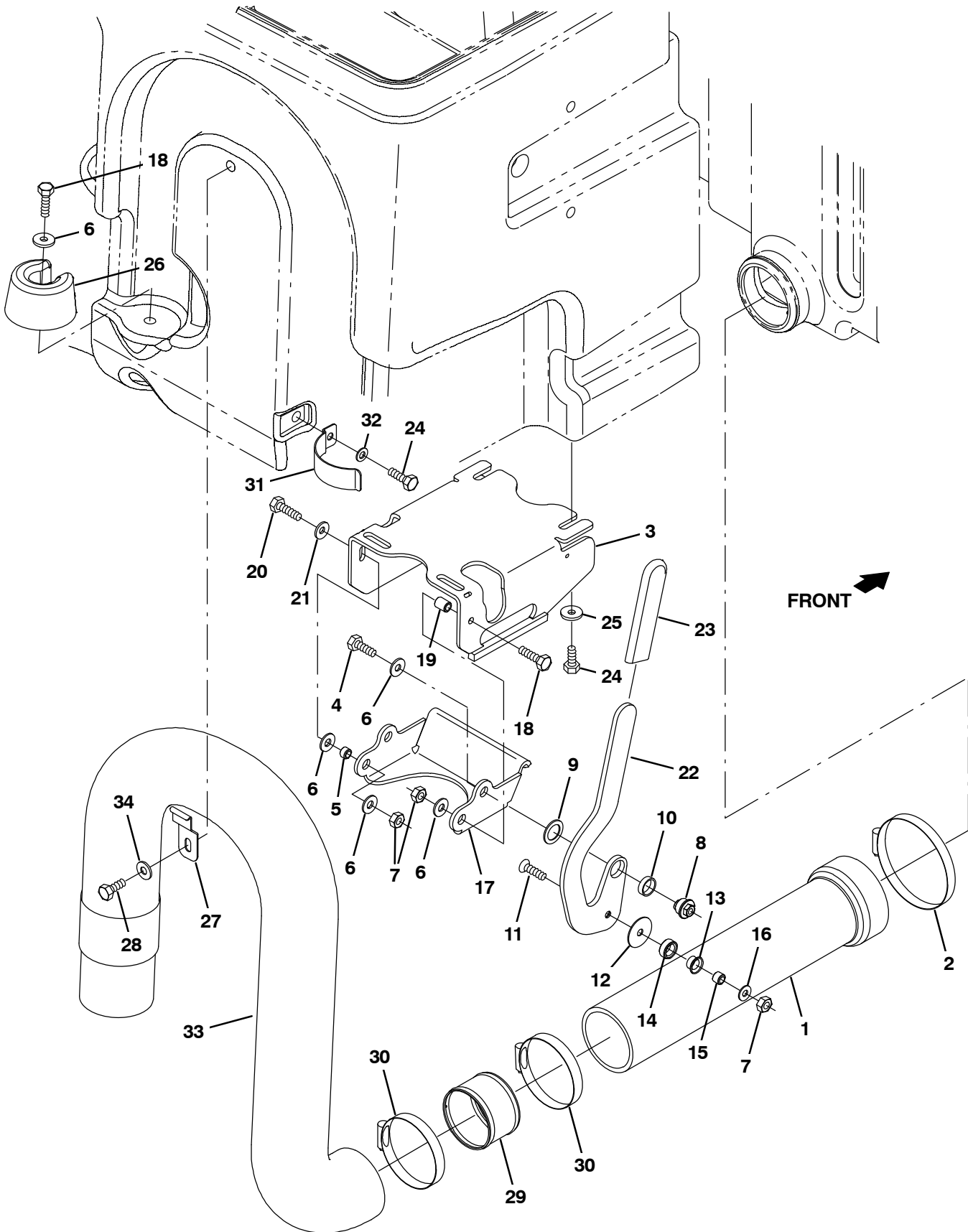


Fig. 46 – Solution Tank Drain Group

Ref.	Part No.	Serial Number	Description	Qty.
1	9003793	(008000–	) Tube Kit, Tank, Soltn, Replmt	1
2	23498	(008000–	) Clamp, Hose, Wormdrive, 3.56–4.50d, .50w	1
3	1042003	(008000–	) Mount Wldt, Valve, Pinch, Rh	1
4	39277	(008000–	) Screw, Hex, M8 X 1.25 X 25, 8.8	1
5	222516	(008000–	) Sleeve, P/M, 0.31b 0.50d 0.3l [430ss]	1
6	32491	(008000–	) Washer, Flat, 0.31, Std	5
7	08713	(008000–	) Nut, Hex, Lock, M8 X 1.25, NI, Ss	3
8	1024599	(008000–	) Bushing, Eccentric, Adj	1
9	1026051	(008000–	) Washer, Flat, 0.79b 1.18d .06, Nyl	1
10	74090	(008000–	) Bushing, Sleeve, 0.75b 0.88d 0.25l	1
11	79506	(008000–	) Screw, Flt, M8 X 1.25 X 30, Ss	1
12	1028701	(008000–	) Washer, Thrust, 0.34b 1.50d .06	1
13	15648	(008000–	) Bushing, Flng, 0.50b 0.59d 0.38l	1
14	1028691	(008000–	) Roller, Brg	1
15	1028690	(008000–	) Tube, 0.50d 0.32b 00.4l, Ss	1
16	1017218	(008000–	) Washer, Flat, 0.32b 1.00d .12, Ss	1
17	1024535	(008000–	) Arm, Pinch	1
18	06955	(008000–	) Screw, Hex, M8 X 1.25 X 35, 8.8	2
19	80395	(008000–	) Sleeve, P/M, 0.31b 0.50d 0.7l [430ss]	1
20	76570	(008000–	) Screw, Hex, M8 X 1.25 X 30, 8.8	1
21	41186	(008000–	) Washer, Flat, Belleville, .31	1
22	1026727	(008000–	) Handle, Valve, Pinch, Rh	1
23	1023502	(008000–	) Grip, Handle	1
24	09740	(008000–	) Screw, Hex, M8 X 1.25 X 20, Ss	5
25	1017218	(008000–	) Washer, Flat, 0.32b 1.00d .12, Ss	4
26	1022137	(008000–	) Plug, Hose, Pyu	1
27	1025480	(008000–	) Bracket, Retaining, Hose	1
28	15675	(008000–	) Screw, Hex, M8 X 1.25 X 16, Ss	1
29	1041953	(008000–	) Tube, 2.90id 3.00od 02.4l, Ss	2
30	43555	(008000–	) Clamp, Hose, Wormdrive, 2.50–3.50d, .50w	2
31	1024558	(008000–	) Strap, Retaining, Hose	1
32	39349	(008000–	) Washer, Flat, 0.31 Sae	1
33	1019424	(008000–	) Hose, Drain, 3.00id X 48.0l	1
34	01685	(008000–	) Washer, Flat, 0.31, Ss	2

Fig. 47 - Solution Control Group

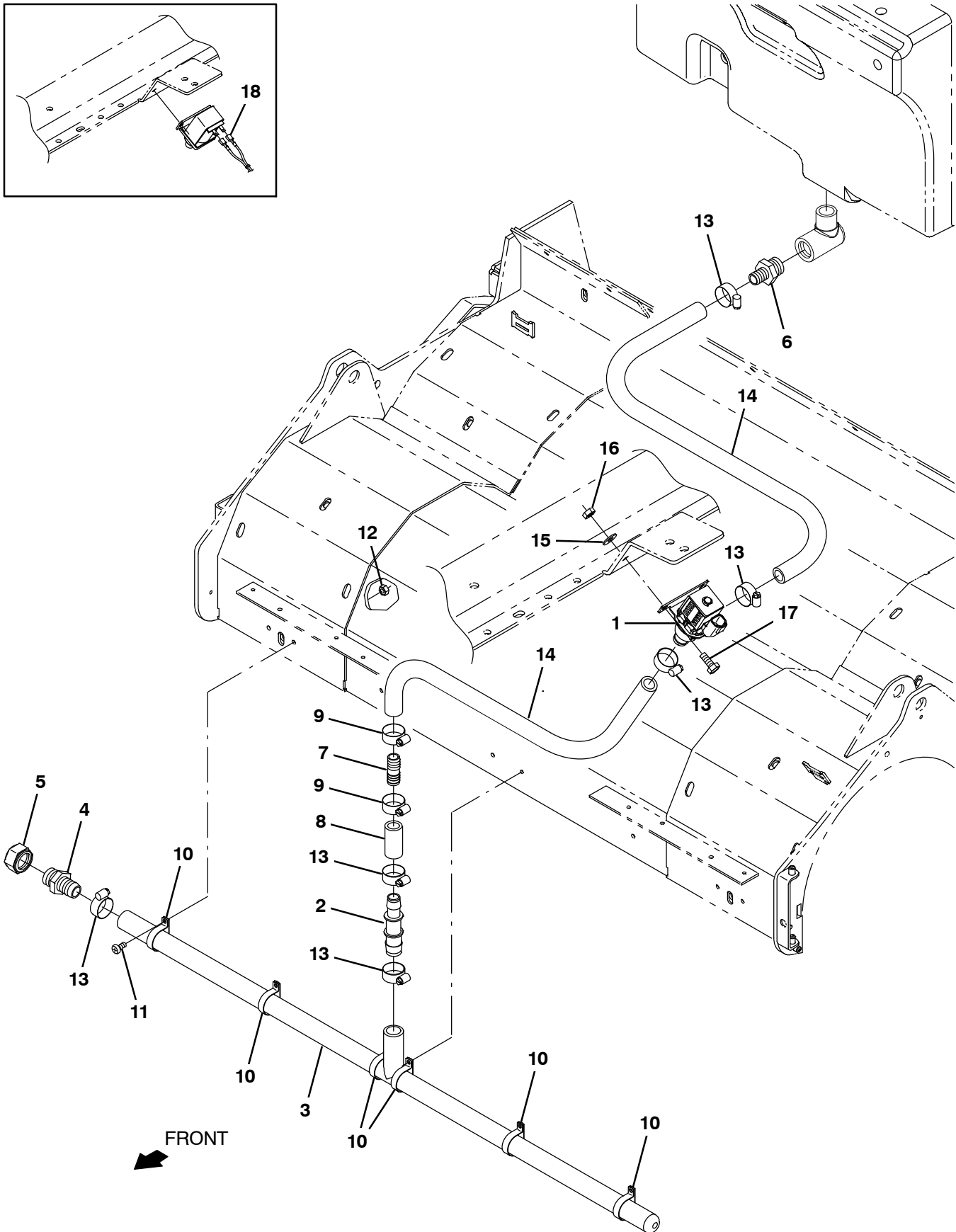


Fig. 47 – Solution Control Group

Ref.	Part No.	Serial Number	Description	Qty.
1	1076692	(008000–	) Valve Assy, Water, Solenoid, 12vdc	1
2	363543	(008000–	) Fitting, Plstc, Str, Bm10/Bm12	1
3	1036997	(008000–	) Manifold, Bar, Spray, 37.5inch	1
4	79273–2	(008000–	) Fitting, Plstc, Str, Bm12/Pm12	1
5	1039064	(008000–	) Fitting, Plstc, Cap, Pf12 Hex	1
6	365095	(008000–	) Fitting, Plstc, Str, Bm10/Pm12	1
7	365164	(008000–	) Fitting, Plstc, Str, Bm10/Bm10	1
8	1015033	(008000–	) Hose, Afmkt, Pvc, Brd, 0.62id, 01ft, Clr	1
9	63810	(008000–	) Clamp, Hose, Wormdrive, 0.56–1.06d, .56w	2
10	50544	(008000–	) Clamp, Cable, Ss, 1.12d X 0.38w, 1h	6
11	09200	(008000–	) Screw, Pan, M5 X 0.8 X 12, Ss	6
12	09739	(008000–	) Nut, Hex, Lock, M5 X 0.8, NI, Ss	6
13	63810	(008000–	) Clamp, Hose, Wormdrive, 0.56–1.06d, .56w	8
14	1015032	(008000–	) Hose, Afmkt, Pvc, Brd, 0.62id, 08ft, Clr	1
15	01684	(008000–	) Washer, Flat, 0.25, Ss	2
16	08712	(008000–	) Nut, Hex, Lock, M6 X 1.0, Ss, NI	2
17	08716	(008000–	) Screw, Hex, M6 X 1.0 X 20, Ss	2
18	1075394	(008000–010490	) Harness, Ele, Adaptor [2f, Dt To Faston]	1

**Fig. 48 – Recovery Tank Group**

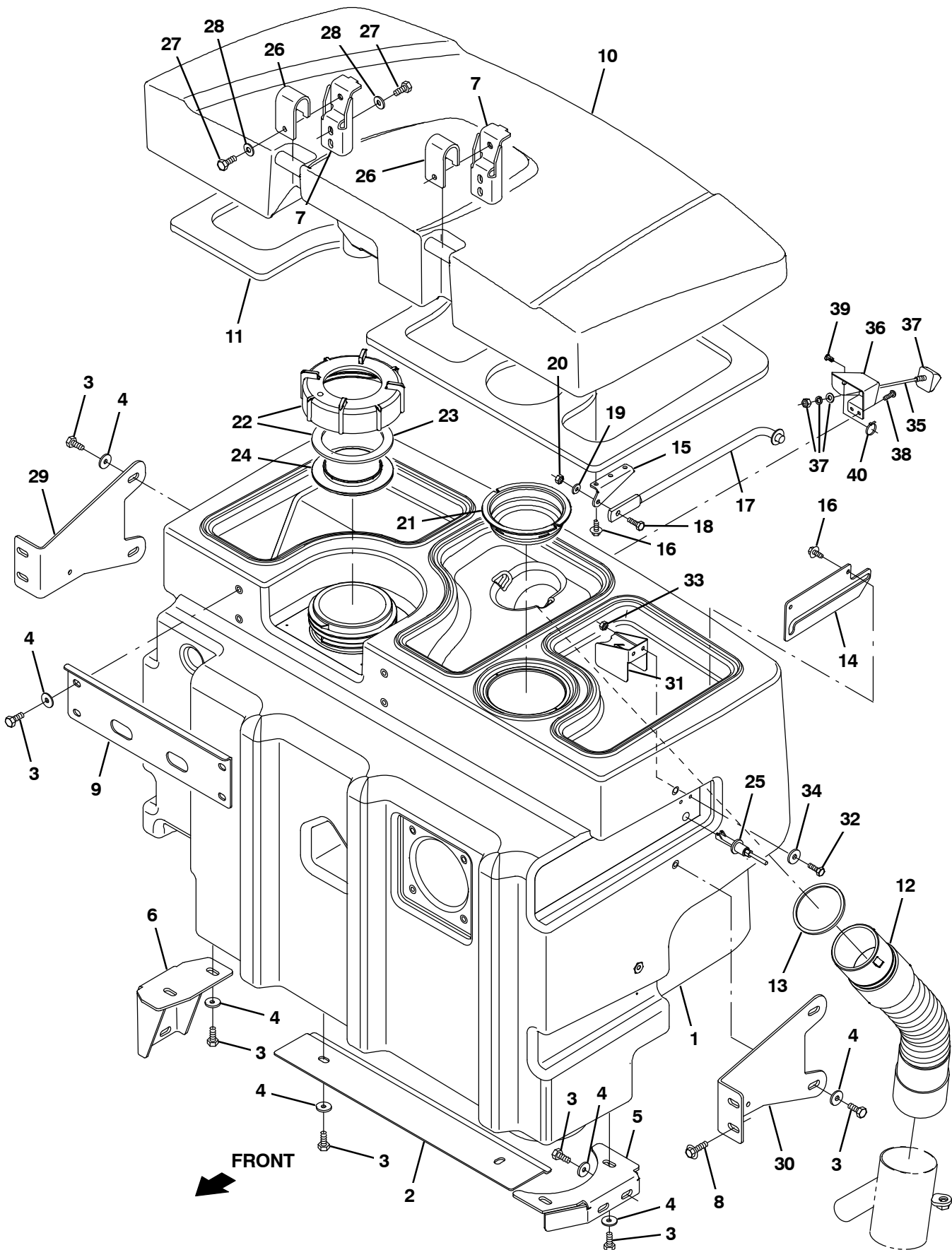


Fig. 48 – Recovery Tank Group

Ref.	Part No.	Serial Number	Description	Qty.
1	1021419	(008000–	) Tank, Recvy, Trimmed	1
2	1024403	(008000–	) Plate, Tank, Bottom	1
3	09740	(008000–	) Screw, Hex, M8 X 1.25 X 20, Ss	17
4	1017218	(008000–	) Washer, Flat, 0.32b 1.00d .12, Ss	15
5	1020335	(008000–	) Bracket, Sppt, Tank, Lh	1
6	1020331	(008000–	) Bracket, Sppt, Tank, Rh	1
7	1039072	(008000–	) Bracket, Sppt, Cover, Tank, Recvy	2
8	1037346	(008000–	) Screw, Hex, M8 X 1.25 X 25, 9.8, Sems	4
9	1021090	(008000–	) Plate, Sppt, Tank	1
10	1022167	(008000–	) Cover, Tank, Recvy, Trimmed	1
11	1021879	(008000–	) Gasket, Cover, Recvy Tank	1
12	1031610	(008000–	) Hose Assy, Sqge	1
13	1021920	(008000–	) Gasket, 3.23id 3.63od .16th, Ure	1
14	1025620	(008000–	) Plate, Mtg, Prop Rod	1
15	1025619	(008000–	) Bracket, Mtg, Prop Rod	1
16	1046798	(008000–	) Screw, Hex, .25–14 X 0.75, Fmg/Ab, Ss	4
17	54615	(008000–	) Arm Wldt, Safety, Sppt, Seat, .38d 10.1l	1
18	08716	(008000–	) Screw, Hex, M6 X 1.0 X 20, Ss	1
19	01684	(008000–	) Washer, Flat, 0.25, Ss	1
20	08712	(008000–	) Nut, Hex, Lock, M6 X 1.0, Ss, NI	1
21	1222035	(008000–	) Screen, Vacuum, Yellow	1
▽	22	24358	(008000–) Cap Assy, Tank, Drain	1
▲	23	1031699	(008000–) Gasket, 4.05id 5.29od .19 [Buna]	1
	24	86636	(008000–) Cover, Tank	1
	25	385685	(008000–) Sensor, Level, Liq, 14vdc 01a .62–11	1
	26	1039049	(008000–) Bracket, Mtg, Cover, Recvy Tank	2
	27	16735	(008000–) Screw, Hex, M8 X 1.25 X 16, 8.8	6
	28	32491	(008000–) Washer, Flat, 0.31, Std	6
	29	1038941	(008000–) Bracket, Sppt, Tank, Rh	1
	30	1038927	(008000–) Bracket, Sppt, Tank, Lh	1
	31	1037816	(008000–) Bracket, Protector, Float Switch	1
	32	09007	(008000–) Screw, Hex, M6 X 1.00 X 25, Ss	2
	33	08712	(008000–) Nut, Hex, Lock, M6 X 1.00, Ss, NI	2
	34	76426	(008000–) Washer, Sealing, 0.28b 0.75d Ss, Neo	2
	35	1224979	(008000–) Cable, Camera, 236.2l [Hvs] (PRO PANEL ONLY)	1
	36	1225989	(008000–) Bracket, Mtg, Camera [M20/M30] (PRO PANEL ONLY)	1
	37	1218851	(008000–) Camera, Color, Fixed (PRO PANEL ONLY)	1
	38	382320	(008000–) Screw, Pan, Phl, 12–16 X 0.50, F/ Plstc (PRO PANEL ONLY)	2
	39	1071085	(008000–) Clip, Tie, 0.25d, Plstc (PRO PANEL ONLY)	1
	40	763114	(008000–) Tie, Cable, 11.3l, 2.75d Max (PRO PANEL ONLY)	1

**Fig. 49 – Recovery Tank Drain Group**

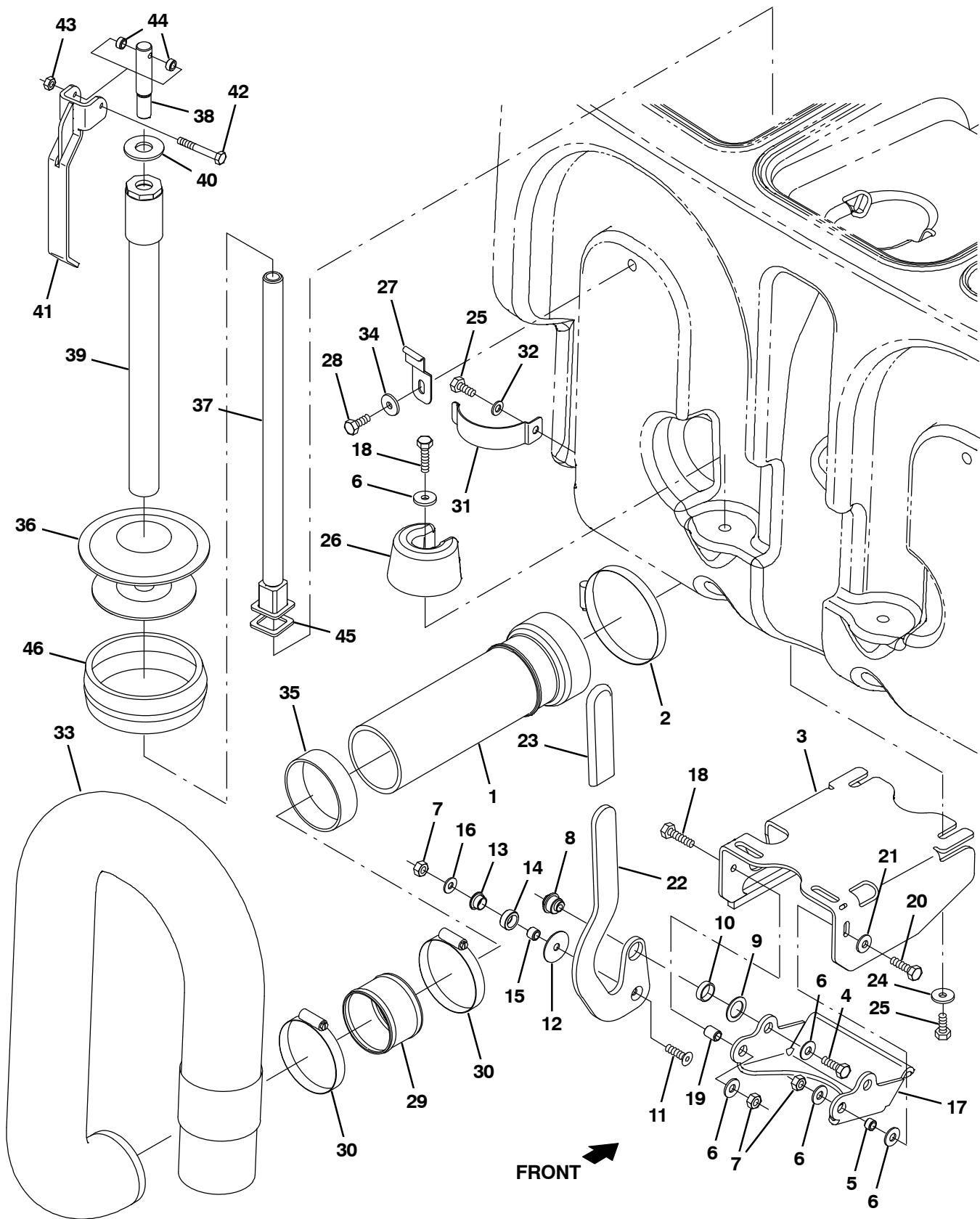




Fig. 49 – Recovery Tank Drain Group

Ref.	Part No.	Serial Number	Description	Qty.	
1	9003794	(008000–	) Tube Kit, Tank, Recvy, Replmt	1	
2	23498	(008000–	) Clamp, Hose, Wormdrive, 3.56–4.50d, .50w	1	
3	1042010	(008000–	) Mount Wldt, Valve, Pinch, Lh	1	
4	39277	(008000–	) Screw, Hex, M8 X 1.25 X 25, 8.8	1	
5	222516	(008000–	) Sleeve, P/M, 0.31b 0.50d 0.3l [430ss]	1	
6	32491	(008000–	) Washer, Flat, 0.31, Std	5	
7	08713	(008000–	) Nut, Hex, Lock, M8 X 1.25, NI, Ss	3	
8	1024599	(008000–	) Bushing, Eccentric, Adj	1	
9	1026051	(008000–	) Washer, Flat, 0.79b 1.18d .06, Nyl	1	
10	74090	(008000–	) Bushing, Sleeve, 0.75b 0.88d 0.25l	1	
11	79506	(008000–	) Screw, Flt, M8 X 1.25 X 30, Ss	1	
12	1028701	(008000–	) Washer, Thrust, 0.34b 1.50d .06	1	
13	15648	(008000–	) Bushing, Flng, 0.50b 0.59d 0.38l	1	
14	1028691	(008000–	) Roller, Brg	1	
15	1028690	(008000–	) Tube, 0.50d 0.32b 00.4l, Ss	1	
16	1017218	(008000–	) Washer, Flat, 0.32b 1.00d .12, Ss	1	
17	1024535	(008000–	) Arm, Pinch	1	
18	06955	(008000–	) Screw, Hex, M8 X 1.25 X 35, 8.8	2	
19	80395	(008000–	) Sleeve, P/M, 0.31b 0.50d 0.7l [430ss]	1	
20	76570	(008000–	) Screw, Hex, M8 X 1.25 X 30, 8.8	1	
21	41186	(008000–	) Washer, Flat, Belleville, .31	1	
22	1027039	(008000–	) Handle, Valve, Pinch, Lh	1	
23	1023502	(008000–	) Grip, Handle	1	
24	1017218	(008000–	) Washer, Flat, 0.32b 1.00d .12, Ss	2	
25	09740	(008000–	) Screw, Hex, M8 X 1.25 X 20, Ss	5	
26	1022137	(008000–	) Plug, Hose, Pyu	2	
27	1025480	(008000–	) Bracket, Retaining, Hose	1	
28	15675	(008000–	) Screw, Hex, M8 X 1.25 X 16, Ss	1	
29	1041953	(008000–	) Tube, 2.90id 3.00od 02.4l, Ss	1	
30	43555	(008000–	) Clamp, Hose, Wormdrive, 2.50–3.50d, .50w	2	
31	1024558	(008000–	) Strap, Retaining, Hose	1	
32	39349	(008000–	) Washer, Flat, 0.31 Sae	1	
33	1019424	(008000–	) Hose, Drain, 3.00id X 48.0l	1	
34	01685	(008000–	) Washer, Flat, 0.31, Ss	2	
35	1031309	(008000–	) Tube, Acrylic, Hose, Pinch	1	
▽	9003313	(008000–	) Plug Kit, Drain, Recvy, Ci [M20 & T20]	1	
▲	36	1022370	(008000–	) Plug, Drain, Expandable, 4.75–6.00	1
▲	37	1028328	(008000–	) Tube Wldt, Plug, Drain	1
▲	38	1028173	(008000–	) Pin, Lift, Drain	1
▲	39	1072885	(008000–	) Tube Assy, Plug, Drain	1
▲	40	1028522	(008000–	) Washer, Flat, .78b 1.75d .18, Ss	1
▲	41	1028211	(008000–	) Handle Wldt, Drain	1
▲	42	58979	(008000–	) Screw, Hex, M6 X 1.0 X 55, Ss	1
▲	43	08712	(008000–	) Nut, Hex, Lock, M6 X 1.0, Ss, NI	1
▲	44	360801	(008000–	) Sleeve, 0.31b 0.50d 0.3l, Ss	2
▲	45	1035044	(008000–	) Seal, Shaft, Drain Plug	1
▲	46	1039652	(008000–	) Seal, Plug, Drain, Nitrile	1

**Fig. 50 - Vacuum Fan Group, Scrubbing**

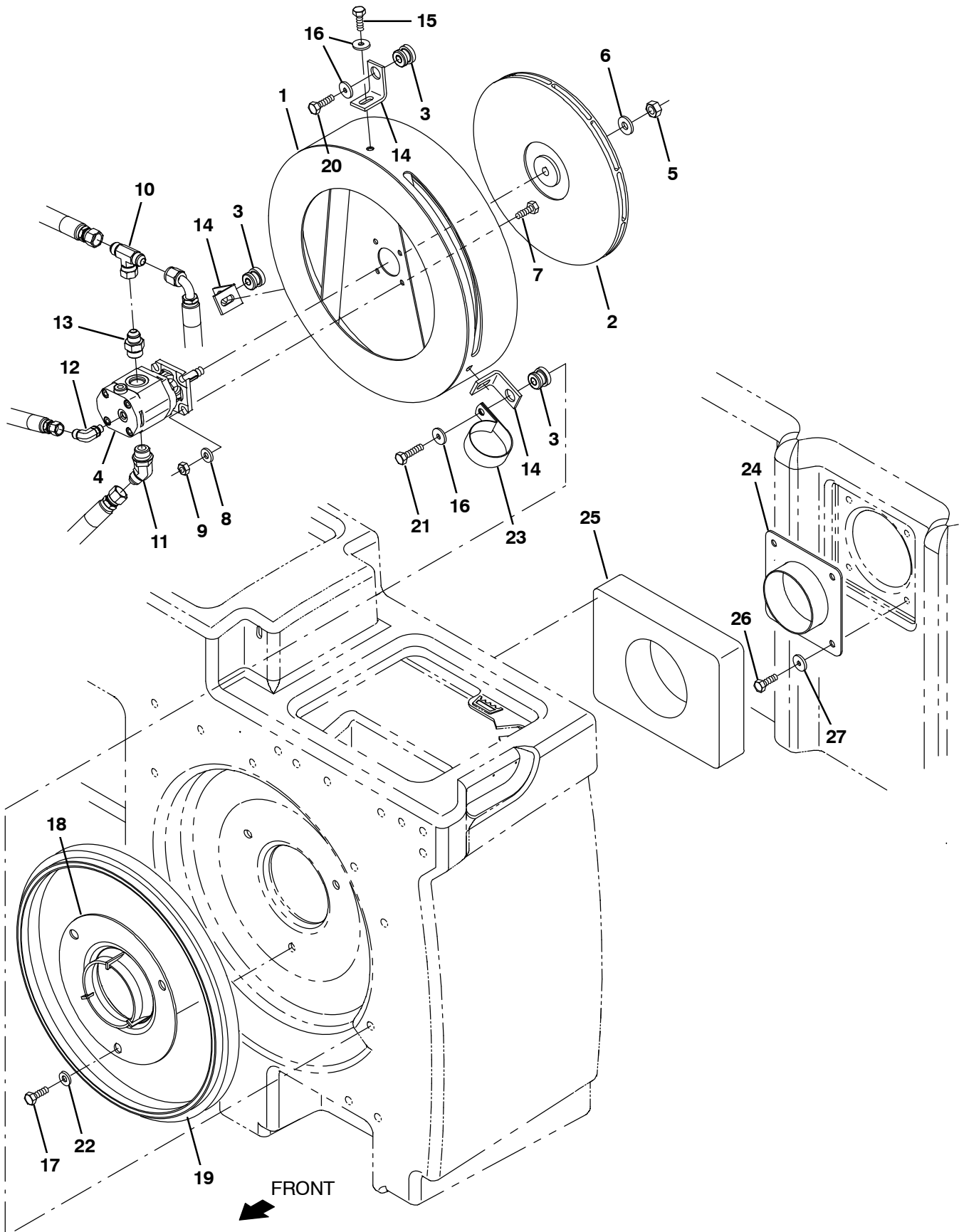


Fig. 50 – Vacuum Fan Group, Scrubbing

Ref.	Part No.	Serial Number	Description	Qty.
▽	9016241	(008000–	) Fan Kit, Scb, Replmt [M20/T20/M30]	1
▲	1 1068611	(008000–	) Plate Wldt, Mtg, Fan	1
▲	2 1062033	(008000–	) Impeller, 11.81d X 0.500b	1
▲	3 54274	(008000–	) Isolator, Vib, Bshg, 1.1d 0.6l .4b 0.78h	3
▲▽	9016242	(008000–	) Motor Kit, Replmt [M20/T20/M30]	1
▲▲	4 1076027	(008000–	) Motor, Hyd, Gear, Ext 0.17 Lh 3000	1
▲▲	5 07788	(008000–	) Nut, Hex, Std, M12 X 1.75, Ss	1
▲▲	6 36328	(008000–	) Washer, Flat, Belleville, .50	1
▲▲	7 09010	(008000–	) Screw, Hex, M8 X 1.25 X 25, Ss	4
▲▲	8 01685	(008000–	) Washer, Flat, 0.38b 0.88d .08, Ss	4
▲▲	9 08713	(008000–	) Nut, Hex, Lock, M8 X 1.25, NI, Ss	4
▲▲	10 76315	(008000–	) Fitting, Hyd, Tee, Jf08/Jm08/Jm08, Br	1
▲▲	11 47513	(008000–	) Fitting, Hyd, E45, Jm08/Om10	1
▲▲	12 77098	(008000–	) Fitting, Hyd, E90, Jm06/Om04	1
▲▲	13 56692	(008000–	) Fitting, Hyd, Str, Jm08/Om10	1
▲	14 1068644	(008000–	) Angle, Sppt, Fan	3
▲	15 39277	(008000–	) Screw, Hex, M8 X 1.25 X 25, 8.8	3
▲	16 1017218	(008000–	) Washer, Flat, 0.32b 1.00d .12, Ss	6
▲	17 09740	(008000–	) Screw, Hex, M8 X 1.25 X 20, Ss	3
▲	18 1059100	(008000–	) Housing, Fan, Radial Discharge, Sq Inlet	1
▲	19 1031617	(008000–	) Seal, Afmkt, Bulb, Str, .75d F/07ga 08ft	1
▲	20 09011	(008000–	) Screw, Hex, M8 X 1.25 X 30, Ss	2
▲	21 09023	(008000–	) Screw, Hex, M8 X 1.25 X 35, Fl, Ss	1
▲	22 01685	(008000–	) Washer, Flat, 0.38b 0.88d .08, Ss	3
	23 70157	(008000–	) Clamp, Cable, Ss, 2.50d X 1.00w, 1hole	1
	24 1023754	(008000–	) Plate Wldt, Hose, Vacuum	1
	25 1060716	(008000–	) Gasket, 2.00, 07.87w 10.24l, Adh	1
	26 09740	(008000–	) Screw, Hex, M8 X 1.25 X 20, Ss	4
	27 1017218	(008000–	) Washer, Flat, 0.32b 1.00d .12, Ss	4

Fig. 51 – Vacuum Fan Group, Sweeping

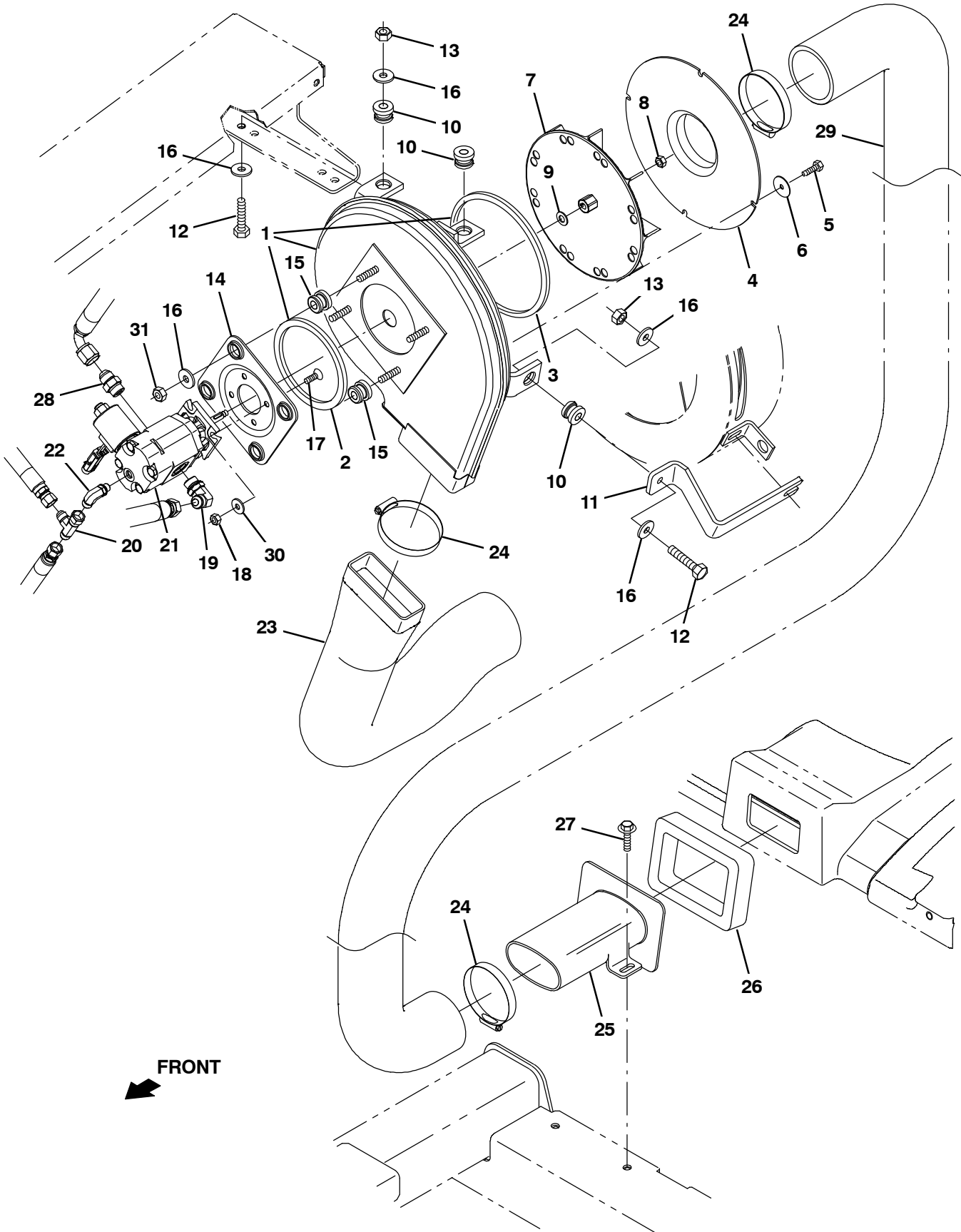
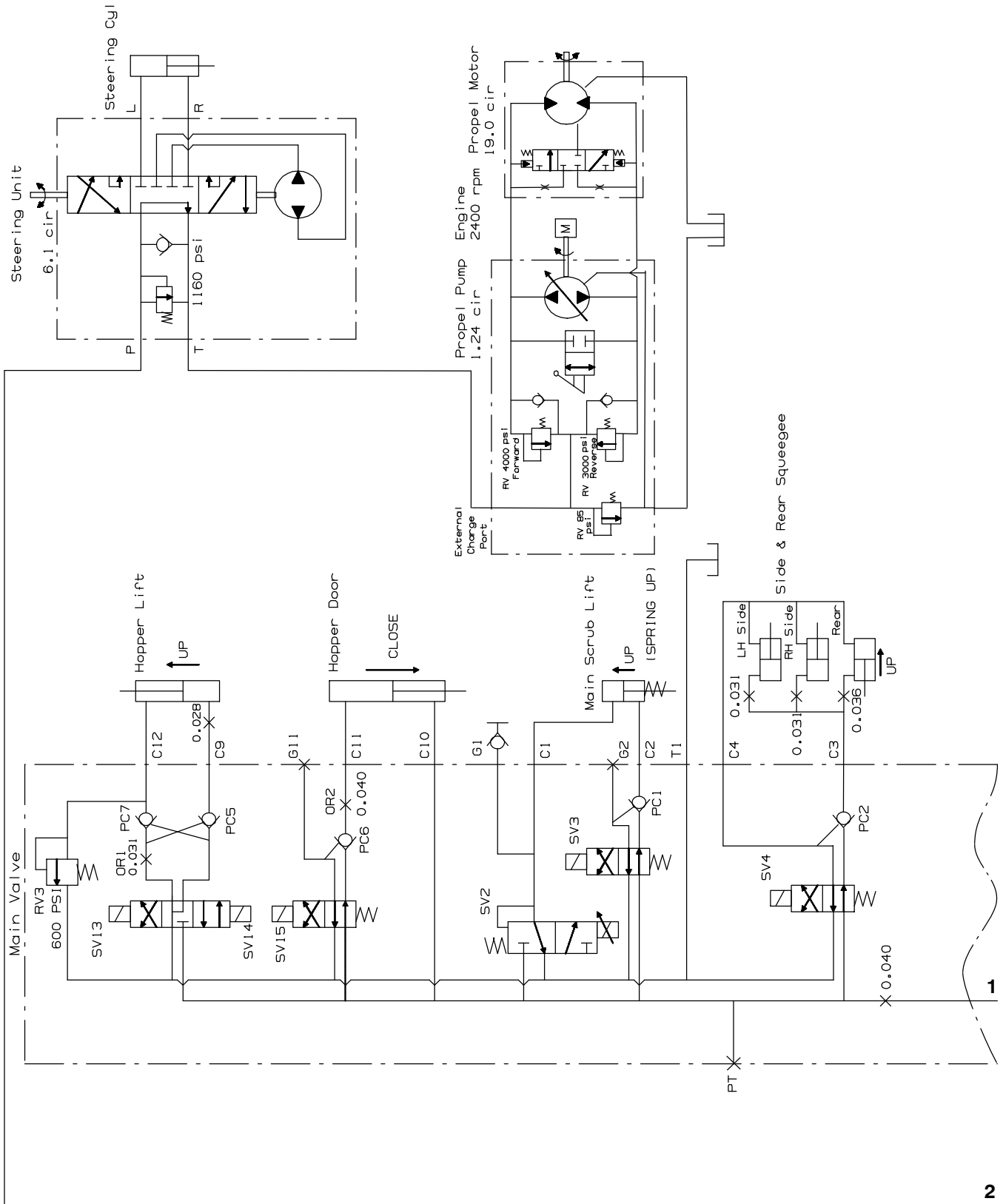


Fig. 51 – Vacuum Fan Group, Sweeping

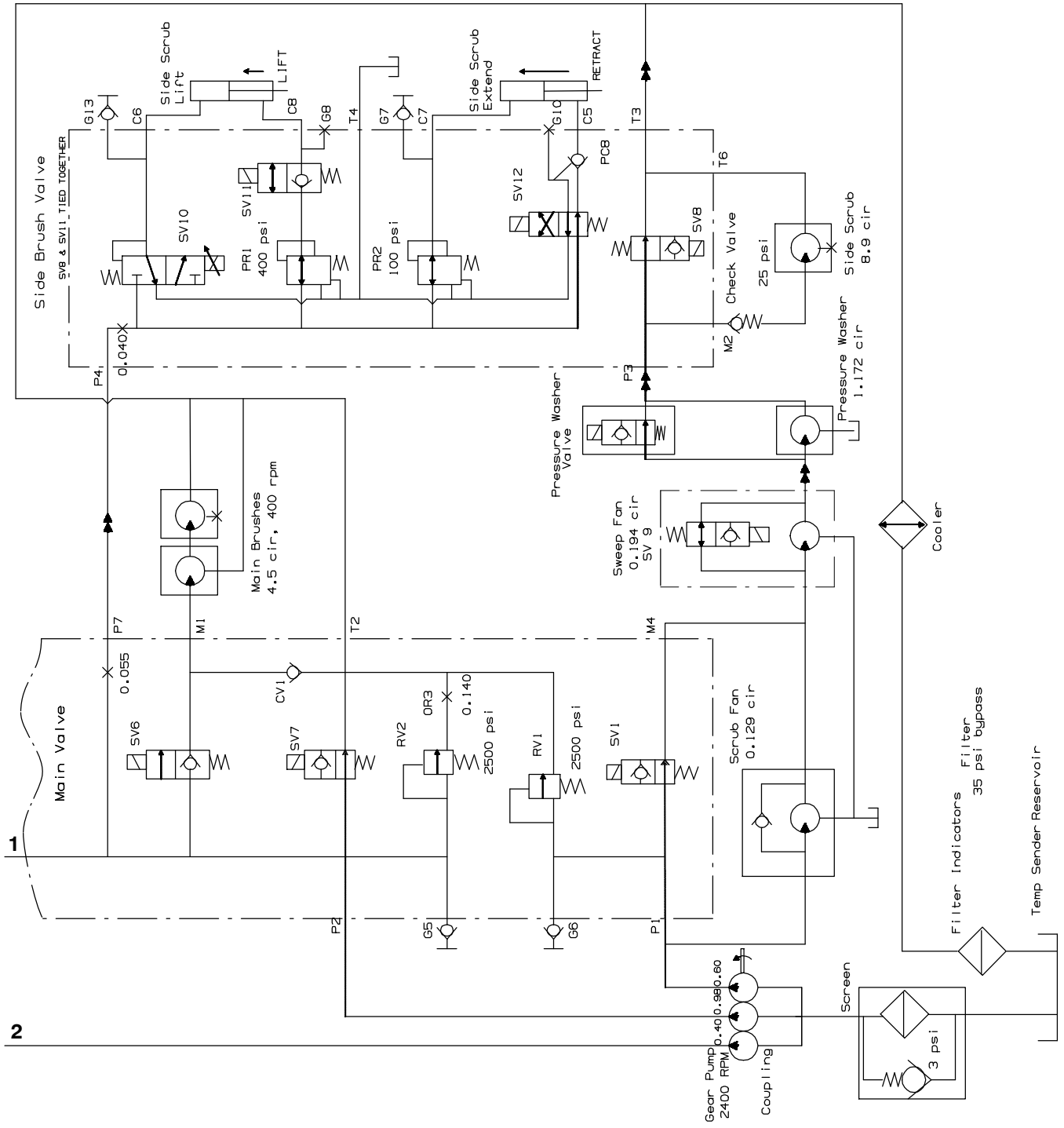
	Ref.	Part No.	Serial Number	Description	Qty.
▽	1	9002683	(008000–	) Housing Assy, Vacfan, Swpr	1
▲	2	59967	(008000–	) Seal, Ure, 0.38 0.75w 13.2l Adh	1
▲	3	1015221	(008000–	) Seal, Afmkt, Ure, Adh, 0.38, 0.75w 03ft	1
	4	1018216	(008000–	) Fan Wldt, Vac, Inlet	1
	5	34323	(008000–	) Screw, Hex, .25–20 X 0.75, NI	4
	6	41178	(008000–	) Washer, Flat, 0.25 Fender	4
	7	74454	(008000–	) Impeller, 9.00d X 1.40w X 0.376b	1
	8	31241	(008000–	) Nut, Hex, Lock, .31–24, NI, Thin	1
	9	32485	(008000–	) Washer, Flat, 0.38 Sae	1
	10	59649	(008000–	) Isolator, Vib, Bshg, 1.1d 0.6l .4b 0.78h	3
	11	1074010	(008000–	) Bar, Isolator, Vacfan [M20]	1
	12	39285	(008000–	) Screw, Hex, M10 X 1.5 X 40, 8.8	3
	13	41430	(008000–	) Nut, Hex, Lock, M10 X 1.5, NI	3
	14	54275A	(008000–	) Bracket, Mtg, Motor	1
	15	54274	(008000–	) Isolator, Vib, Bshg, 1.1d 0.6l .4b 0.78h	4
	16	1014563	(008000–	) Washer, Flat, 0.40b 1.12d .12, Ss	10
	17	39534	(008000–	) Screw, Flt, Soc, .25–20 X 1.00, Al	4
	18	32981	(008000–	) Nut, Hex, Lock, .25–20, NI	4
	19	44868	(008000–	) Fitting, Hyd, E90, Jm08/Om08	1
	20	42215	(008000–	) Fitting, Hyd, Tee, Jf06/Jm06/Jm06, Run	1
	21	1071240	(008000–	) Motor, Hyd, Gear, Ext 0.17 Lh 3000	1
	22	77098	(008000–	) Fitting, Hyd, E90, Jm06/Om04	1
	23	1025756	(008000–	) Muffler, Vacfan, 4.0id	1
	24	23498	(008000–	) Clamp, Hose, Wormdrive, 3.56–4.50d, .50w	3
	25	1025841	(008000–	) Tube, Transition, Casting	1
	26	1018209	(008000–	) Gasket, Hppr, Transition	1
	27	1037346	(008000–	) Screw, Hex, M8 X 1.25 X 25, 9.8, Sems	2
	28	44869	(008000–	) Fitting, Hyd, Str, Jm08/Om08	1
	29	1018252	(008000–	) Hose, Flex, Vacuum, 3.5d 32.0l	1
	30	32483	(008000–	) Washer, Flat, 0.25, Sae	4
	31	36643	(008000–	) Nut, Hex, Lock, .38–16, NI, Thin	4

Fig. 52 – Hydraulic Schematic



354453, 1018547 – M20

Fig. 52 – Hydraulic Schematic



354453, 1018547 – M20

**Fig. 53 – Hydraulic Hose Group, Steering and Propel**

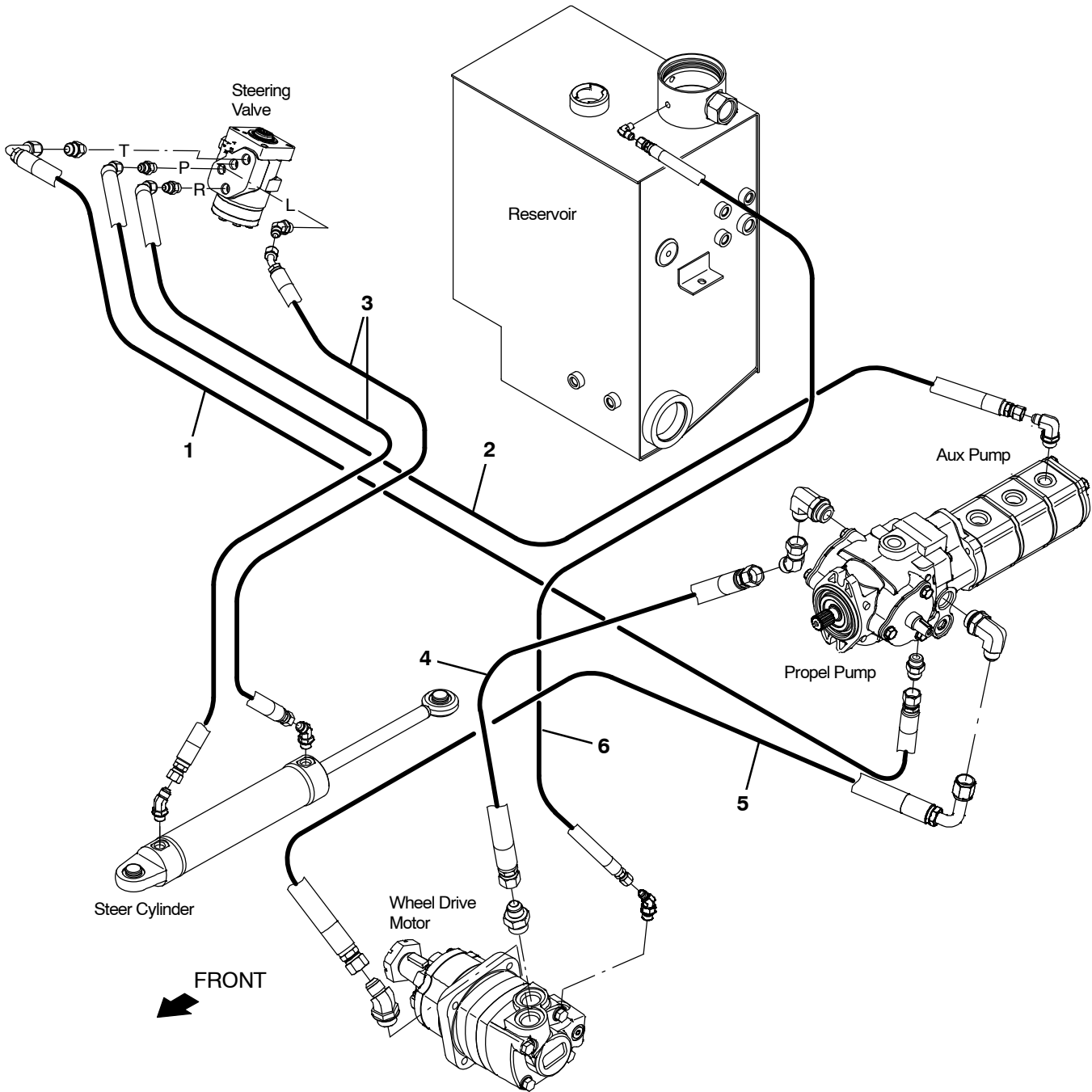




Fig. 53 – Hydraulic Hose Group, Steering and Propel

Ref.	Part No.	Serial Number	Description	Qty.
1	1229745	(008000–	) Hose, Hyd, Tc08, Jfoee90/Jf08str, 96	1
2	1226062	(008000–	) Hose, Hyd, Tc06, Jf06e45/Jf06str, 110.0	1
3	1226063	(008000–	) Hose, Hyd, Tc06, Jf06e45/Jf06str, 45.0	2
4	1038569	(008000–	) Hose, Hyd, Spcl, Jf10str/Jf10str, 56.5	1
5	1023488	(008000–	) Hose, Hyd, Spcl, Jf10e90/Jf10str, 63.0	1
6	1030404	(008000–	) Hose, Hyd,Med04, Jf04str/Jf04str, 066.0	1

**Fig. 54 – Hydraulic Hose Group, Pump and Vacuum Fans**

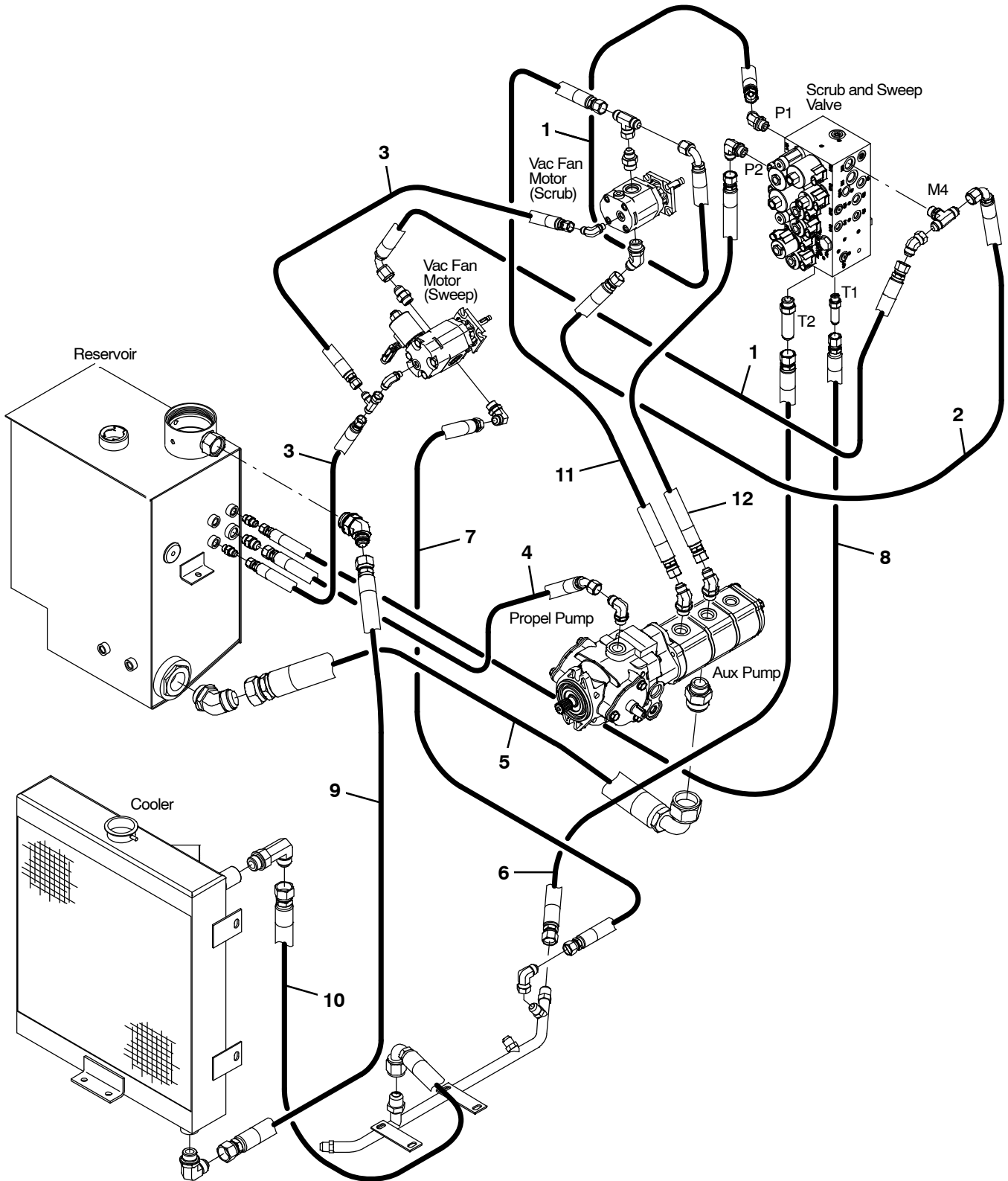


Fig. 54 – Hydraulic Hose Group, Pump and Vacuum Fans

Ref.	Part No.	Serial Number	Description	Qty.
1	71741	(008000–	) Hose, Hyd, Tc08, Jf08e90/Jf08str, 046.0	2
2	396255	(008000–	) Hose, Hyd, Tc08, Jf08str/Jf08e90, 031.0	1
3	16431	(008000–	) Hose, Hyd, Med06, Jf06str/Jf06str, 022.0	2
4	1023607	(008000–	) Hose, Hyd, Med08, Jf08str /Jf08e45, 21.0	1
5	34351	(008000–	) Hose, Hyd, Suc20, Jf20e90/Jf20str, 032.0	1
6	1040655	(008000–	) Hose, Hyd, Med10, Jf10Str/Jf10Str, 036.0	1
7	1036945	(008000–	) Hose, Hyd, Tc08, Jf08str/Jf08str, 031.0	1
8	71556	(008000–	) Hose, Hyd, Med06, Jf06Str/Jf06Str, 042.0	1
9	1028145	(008000–	) Hose, Hyd, Med12, Jf12str/Jf12str, 066.0	1
10	1050436	(008000–	) Hose, Hyd, Med12, Jf12e90/Jf12str, 029.0	1
11	1026645	(008000–	) Hose, Hyd, Tc08, Jf08E45/Jf08Str, 026.0	1
12	1023606	(008000–	) Hose, Hyd, Tc08, Jf08Str/Jf08Str, 021.0	1

**Fig. 55 – Hydraulic Hose Group, Brush and Hopper**

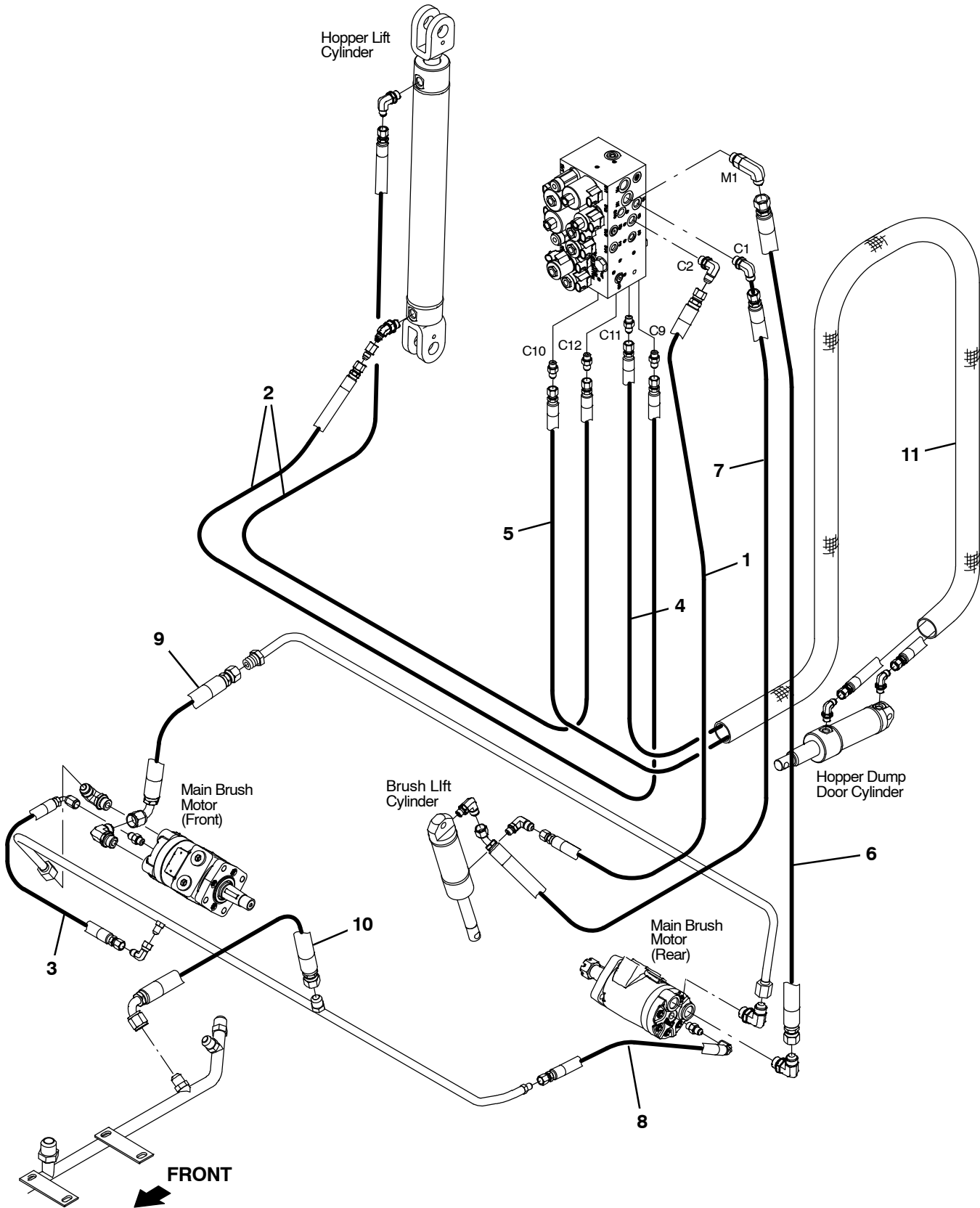


Fig. 55 – Hydraulic Hose Group, Brush and Hopper

Ref.	Part No.	Serial Number	Description	Qty.
1	1036939	(008000–	) Hose, Hyd, Tc06, Jf06str/Jf06str, 054.0	1
2	1040628	(008000–	) Hose, Hyd, Tc04, Jf04str/Jf04str, 096.0	2
3	387281	(008000–	) Hose, Hyd, Tc04, Jf04e90/Jf04str, 020.0	1
4	1042775	(008000–	) Hose, Hyd, Spcl, Jf04str/Jf04str, 138.0	1
5	1042776	(008000–	) Hose, Hyd, Spcl, Jf04str/Jf04str, 132.0	1
6	1024764	(008000–	) Hose, Hyd, Tc08, Jf08str/Jf08str, 48.0	1
7	1023769	(008000–	) Hose, Hyd, Tc 06, Jf06str /Jf06e45, 56.0	1
8	57946	(008000–	) Hose, Hyd, Med04, Jf04e90/Jf04str, 016.0	1
9	1025544	(008000–	) Hose, Hyd, Tc08, Jf08e90/Jf08str, 13.0	1
10	381857	(008000–	) Hose, Hyd, Tc08, Jf08e90/Jf08str, 018.0	1
11	1235405	(008000–	) Sleeve, Nyl, 1.22id, 95.0l	1

Fig. 56 – Hydraulic Hose Group, Squeegee Lift

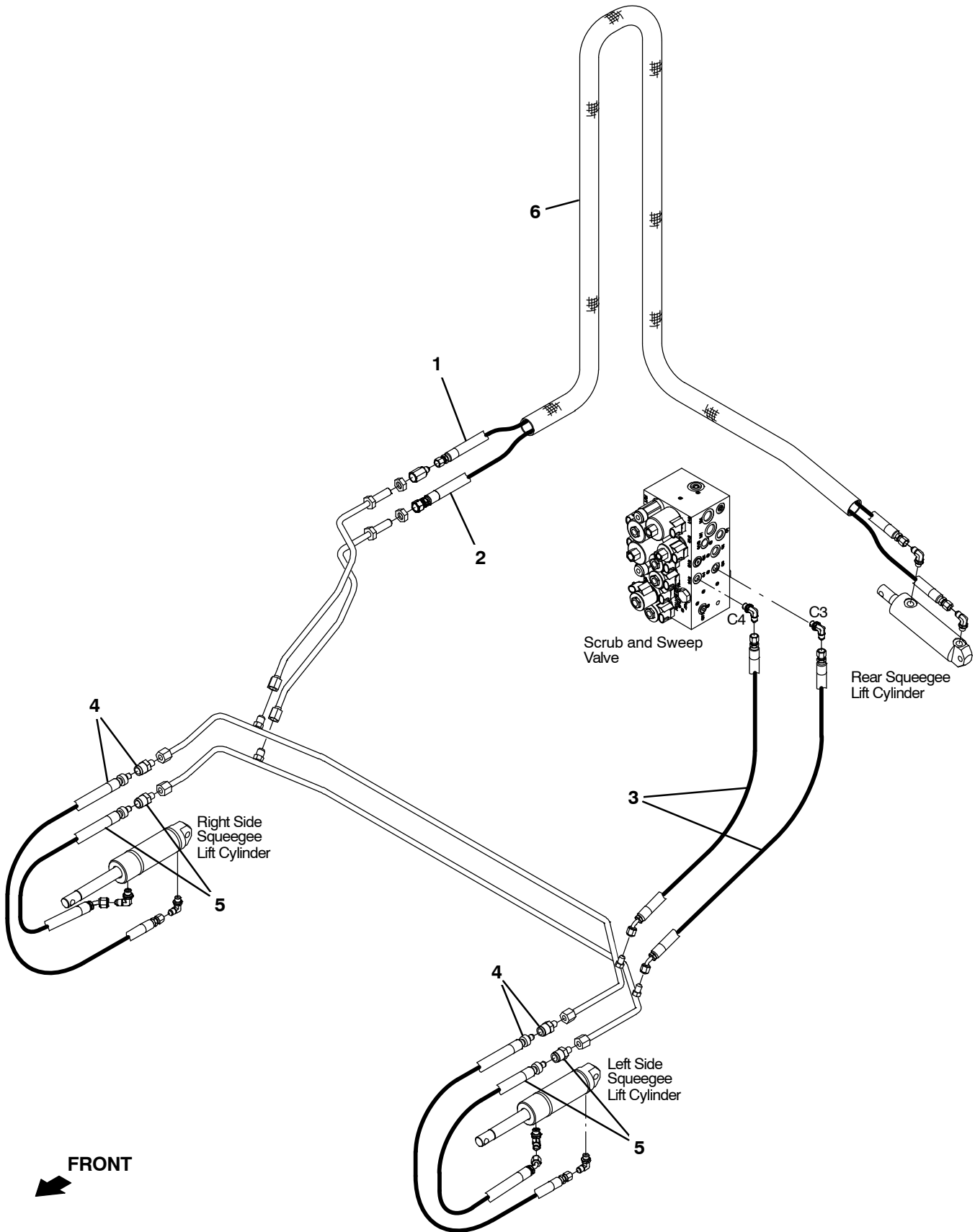


Fig. 56 – Hydraulic Hose Group, Squeegee Lift

Ref.	Part No.	Serial Number	Description	Qty.
1	1024688	(008000–	) Hose, Hyd, Spcl, Jf04str/Jf04str, 124.0	1
2	1025551	(008000–	) Hose, Hyd, Spcl, Jf04str/Jf06str, 128.0	1
3	1030709	(008000–	) Hose, Hyd, Tc 04, Jf04str /Jf04e45 , 35.0	2
4	1045759	(008000–	) Hose, Hyd, Tco4, Jf04Str/Qm06, 028.0	2
5	1037053	(008000–	) Hose, Hyd, Tc04, Jf04e45/Qm06, 026.0	2
6	1235405	(008000–	) Sleeve, Nyl, 1.22id, 95.0l	1

Fig. 57 – Hydraulic Pumps Group

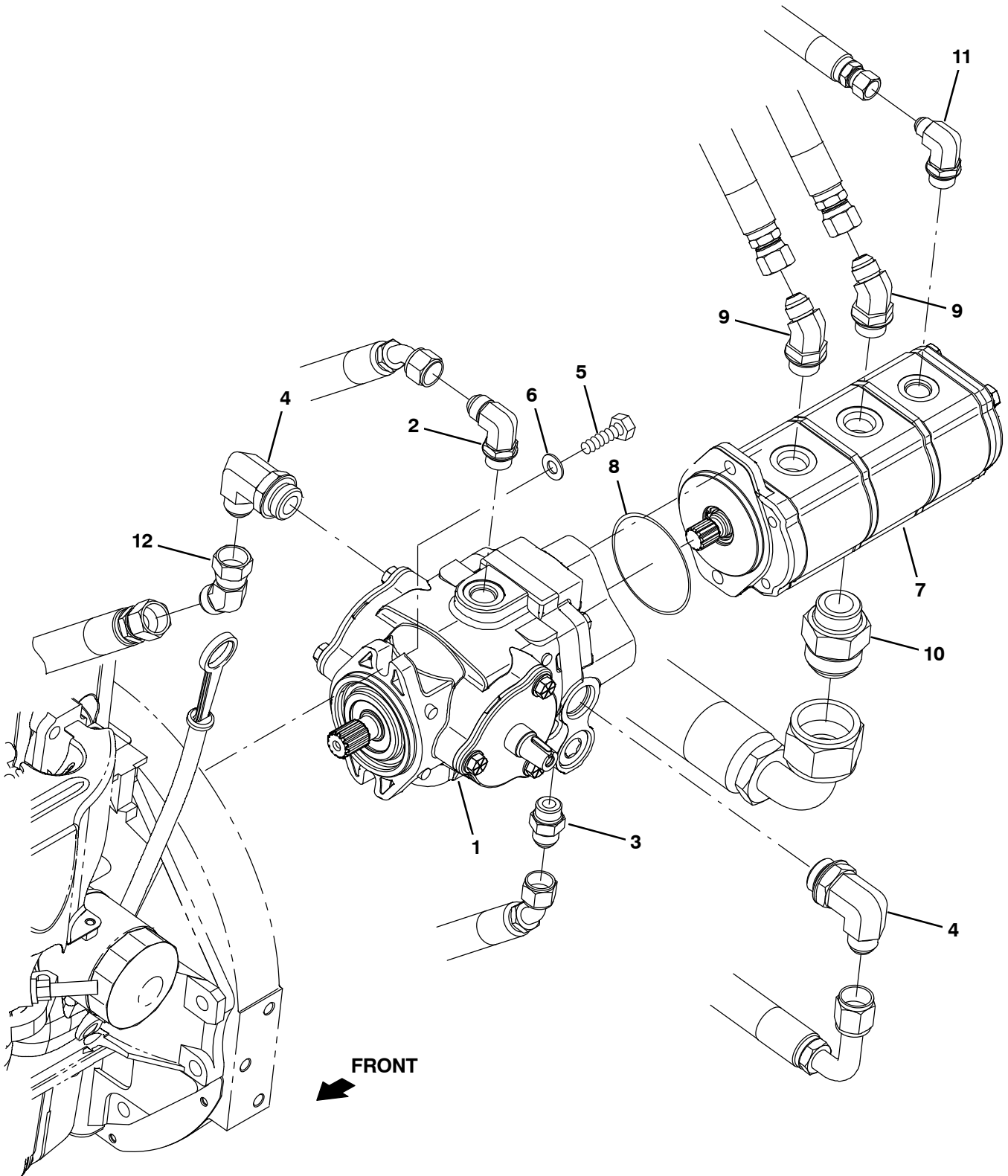




Fig. 57 - Hydraulic Pumps Group

Ref.	Part No.	Serial Number	Description	Qty.
1	1024251	(008000-	) Pump, Hyd, Piston, Var, 1.24 4000, Cw (See Breakdowns)	1
2	44868	(008000-	) Fitting, Hyd, E90, Jm08/Om08	1
3	44869	(008000-	) Fitting, Hyd, Str, Jm08/Om08	1
4	53076	(008000-	) Fitting, Hyd, E90, Jm10/Om12	2
5	39283	(008000-	) Screw, Hex, M10 X 1.50 X 25, 8.8	2
6	32485	(008000-	) Washer, Flat, 0.38 Sae	2
7	9007142	(008000-	) Pump Kit, Mtg, Aux, Ci [M20 & T20]	1
8	65145-1	(008000-	) Seal, Org, .069 X 3.06id	1
9	47513	(008000-	) Fitting, Hyd, E45, Jm08/Om10	2
10	67811	(008000-	) Fitting, Hyd, Str, Jm20/Om16	1
11	47512	(008000-	) Fitting, Hyd, E90, Jm06/Om08	1
12	54017	(008000-	) Fitting, Hyd, E45, Jf10/Jm10	1

**Fig. 58 – Hydraulic Cooler and Tubes Group**

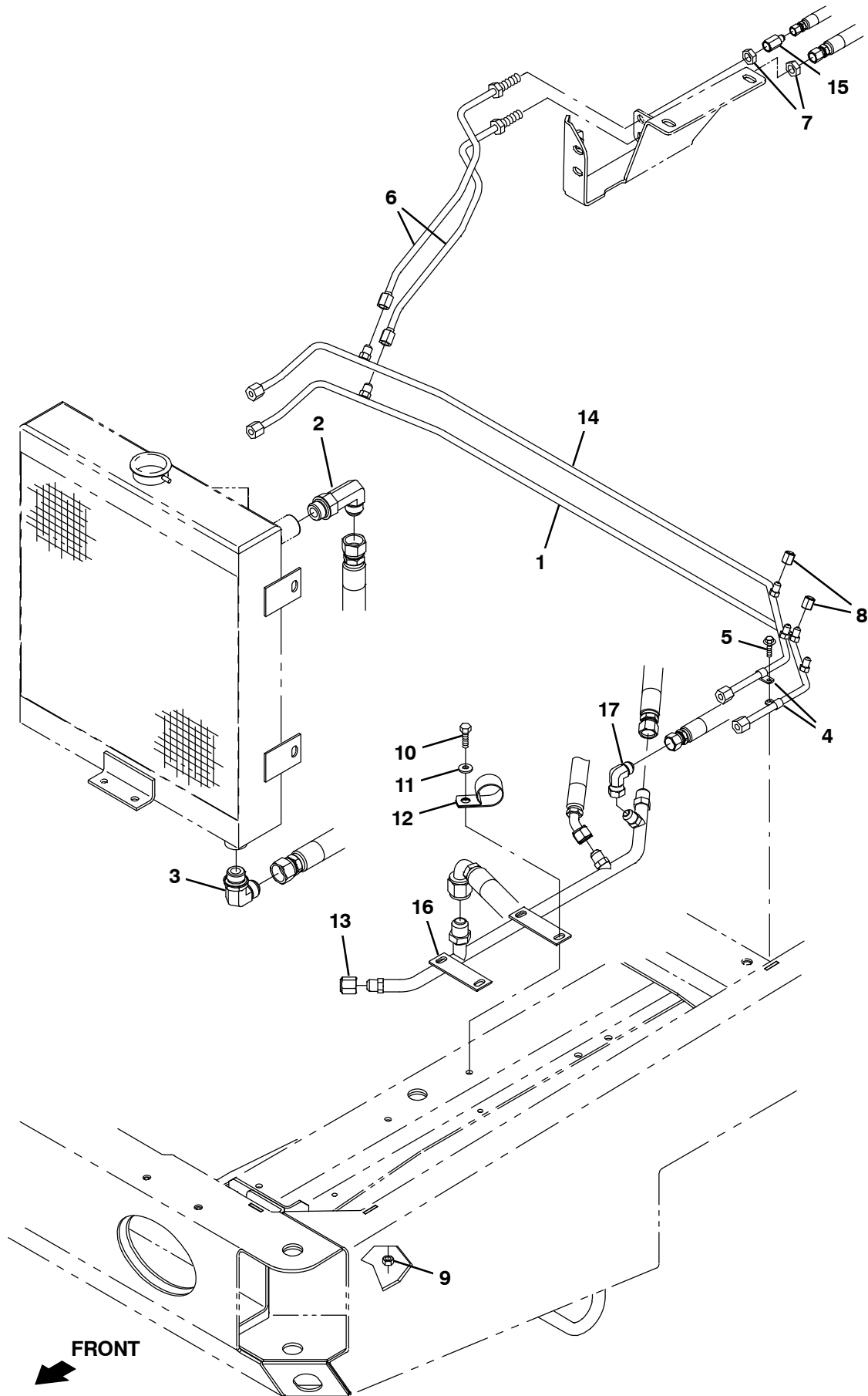


Fig. 58 – Hydraulic Cooler and Tubes Group

Ref.	Part No.	Serial Number	Description	Qty.
1	1028822	(008000–	) Tube, Hyd, Sqge	1
2	46481	(008000–	) Fitting, Hyd, E90, Jm12/Om12	1
3	62471	(008000–	) Fitting, Hyd, E90, Jm12/Om12, L	1
4	40678	(008000–	) Clamp, Cable, Stl, 0.44d X 0.62w, 1h	2
5	74455	(008000–	) Screw, Hex, M6 X 1.0 X 12, Fmg	1
6	1028823	(008000–	) Tube, Hyd, Rear Sqge [M20]	2
7	35904	(008000–	) Nut, Ftg, Hyd, 0.56–18	2
8	50161	(008000–	) Fitting, Hyd, Cap, Jf04	2
9	41430	(008000–	) Nut, Hex, Lock, M10 X 1.5, NI	2
10	39277	(008000–	) Screw, Hex, M8 X 1.25 X 25, 8.8	2
11	32491	(008000–	) Washer, Flat, 0.31, Std	2
12	53466	(008000–	) Clamp, Cable, Stl, 1.50d X 1.00w, 1h	1
13	60090	(008000–	) Fitting, Hyd, Cap, Jf08	1
14	1028821	(008000–	) Tube, Hyd, Sqge	1
15	47752	(008000–	) Fitting, Hyd, Str, Jf06/Jm04	1
16	1071173	(008000–	) Tube, Hyd, Main Return [G/Lp Mit2013]	1
17	17980	(008000–	) Fitting, Hyd, E90, Jf08/Jm08	1

Fig. 59 – Hydraulic Reservoir Group

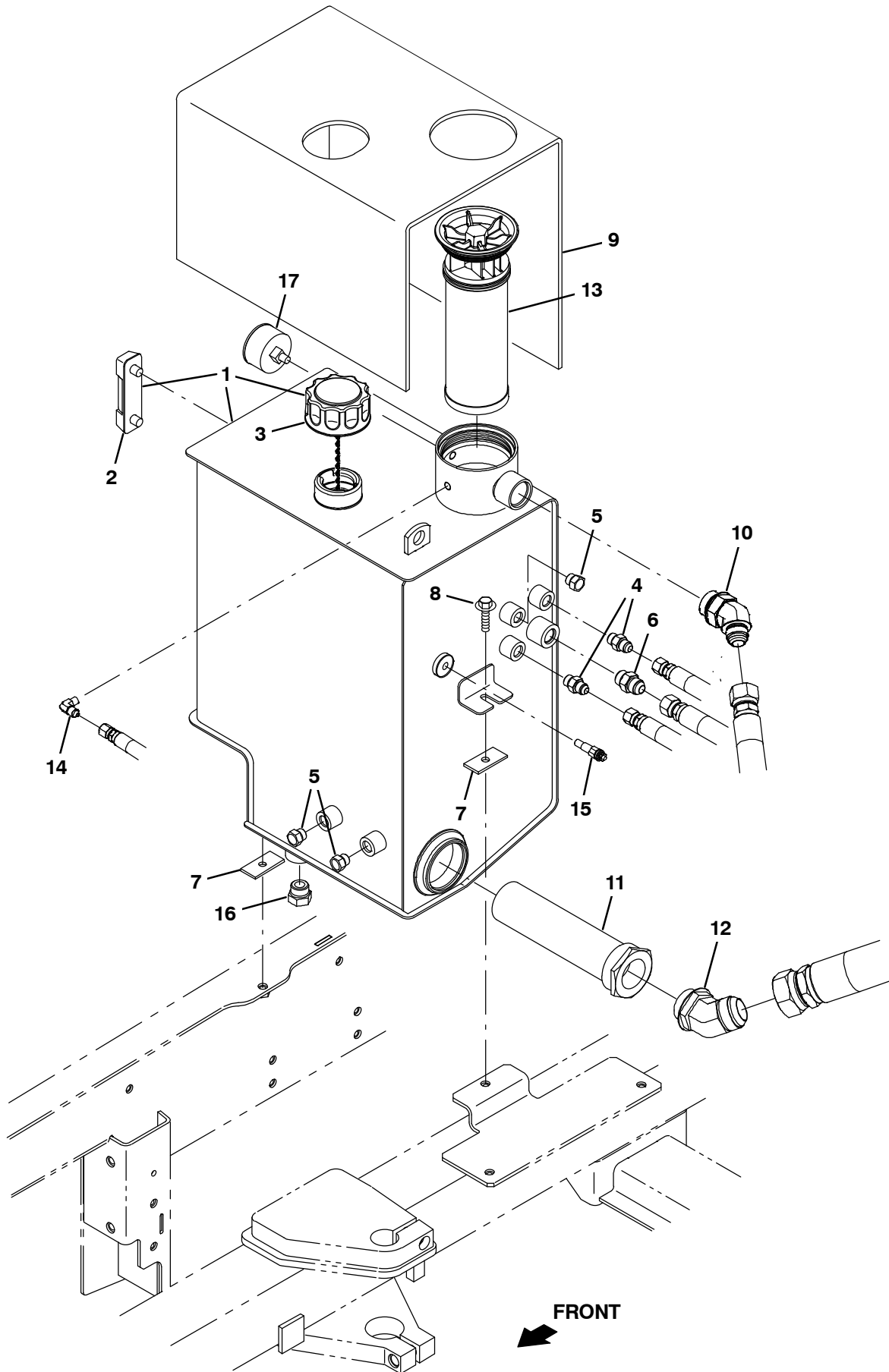


Fig. 59 - Hydraulic Reservoir Group

	Ref.	Part No.	Serial Number	Description	Qty.
▽	1	9002398	(008000-	) Reservoir, Hyd, 10.0Gal, Replmt	1
▲	2	65215	(008000-	) Gauge, Sensing, Level	1
▲	3	1018289	(008000-	) Cap, Breather, Hyd, W Chain	1
	4	56690	(008000-	) Fitting, Hyd, Str, Jm06/Om06	2
	5	46482	(008000-	) Fitting, Hyd, Plug, Om06	3
	6	44869	(008000-	) Fitting, Hyd, Str, Jm08/Om08	1
	7	1040318	(008000-	) Pad, Tank, Hyd [W/Psa]	2
	8	1037354	(008000-	) Screw, Hex, M8 X 1.25 X 30, 9.8, Sems	2
	9	1034878	(008000-	) Insulation, Thermal, Hydraulic Blanket	1
	10	1023545	(008000-	) Fitting, Hyd, E45, Jm12/Om16	1
	11	31613	(008000-	) Strainer, Hyd, 25gpm 100mesh Psi	1
	12	71726	(008000-	) Fitting, Hyd, E45, Jm20/Om20	1
	13	1021579	(008000-	) Filter Assy, Hyd, 10mic	1
	14	55455	(008000-	) Fitting, Hyd, E90, Jm04/Pm02	1
	15	58592	(008000-	) Send-Unit, Water, Temp, 04npt 113oh/195d	1
	16	40362	(008000-	) Fitting, Hyd, Plug, Om10	1
	17	1025132	(008000-	) Indicator, Press, 60psi	1

**Fig. 60 – Hydraulic Valve Group**

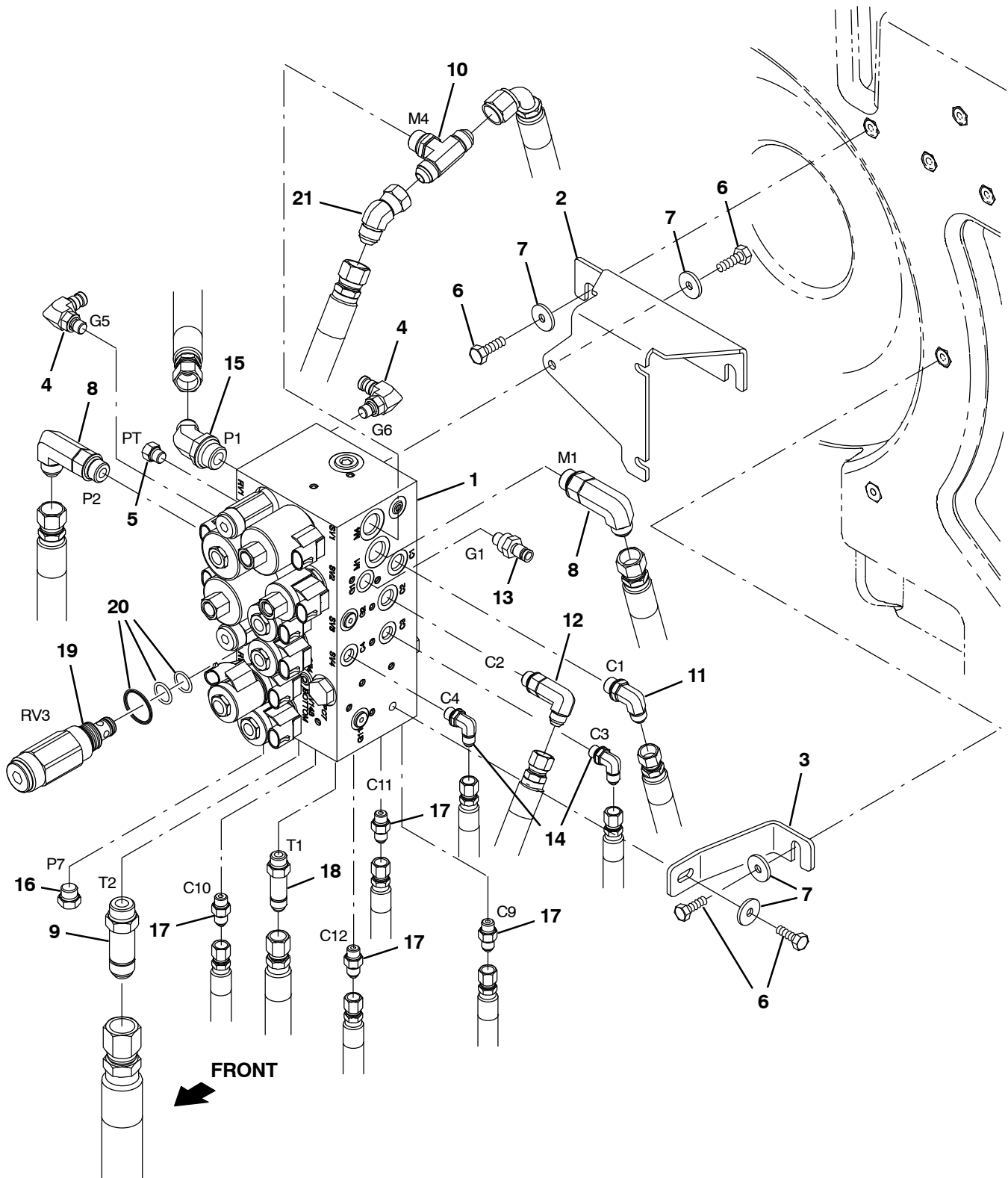


Fig. 60 - Hydraulic Valve Group

Ref.	Part No.	Serial Number	Description	Qty.
1	1072995	(008000-	) Valve, Cntrl, Hyd, Solenoid, 12vdc 10gpm (See Break-downs)	1
2	1039789	(008000-	) Bracket, Mtg, Valve [Combined]	1
3	1040117	(008000-	) Bracket, Mtg, Valve, Lower	1
4	395974	(008000-	) Fitting, Hyd, E90, Om04/Qm04	2
5	33812	(008000-	) Fitting, Hyd, Plug, Om04	1
6	09740	(008000-	) Screw, Hex, M8 X 1.25 X 20, Ss	8
7	1017218	(008000-	) Washer, Flat, 0.32b 1.00d .12, Ss	8
8	69173	(008000-	) Fitting, Hyd, E90, Jm08/Om08, Long	2
9	1040876	(008000-	) Fitting, Hyd, Str, Jm10/Om10, Long	1
10	49933	(008000-	) Fitting, Hyd, Tee, Jm08/Jm08/Om08, Br	1
11	56820	(008000-	) Fitting, Hyd, E90, Jm06/Om06	1
12	71727	(008000-	) Fitting, Hyd, E90, Jm06/Om06, Long	1
13	395973	(008000-	) Fitting, Hyd, Str, Om04/Qm04	1
14	77097	(008000-	) Fitting, Hyd, E90, Jm04/Om04	2
15	42226	(008000-	) Fitting, Hyd, E45, Jm08/Om08	1
16	46482	(008000-	) Fitting, Hyd, Plug, Om06	1
17	55586	(008000-	) Fitting, Hyd, Str, Jm04/Om04	4
18	59577	(008000-	) Fitting, Hyd, Str, Jm06/Om06, Long	1
▽	19	1044367	(008000-) Valve, Relief, 0600Psi	1
▲	20	373647	(008000-) Seal Kit, Cartridge	1
	21	07797	(008000-) Fitting, Hyd, E45, Jf08/Jm08	1

Fig. 61 - Electrical Schematic

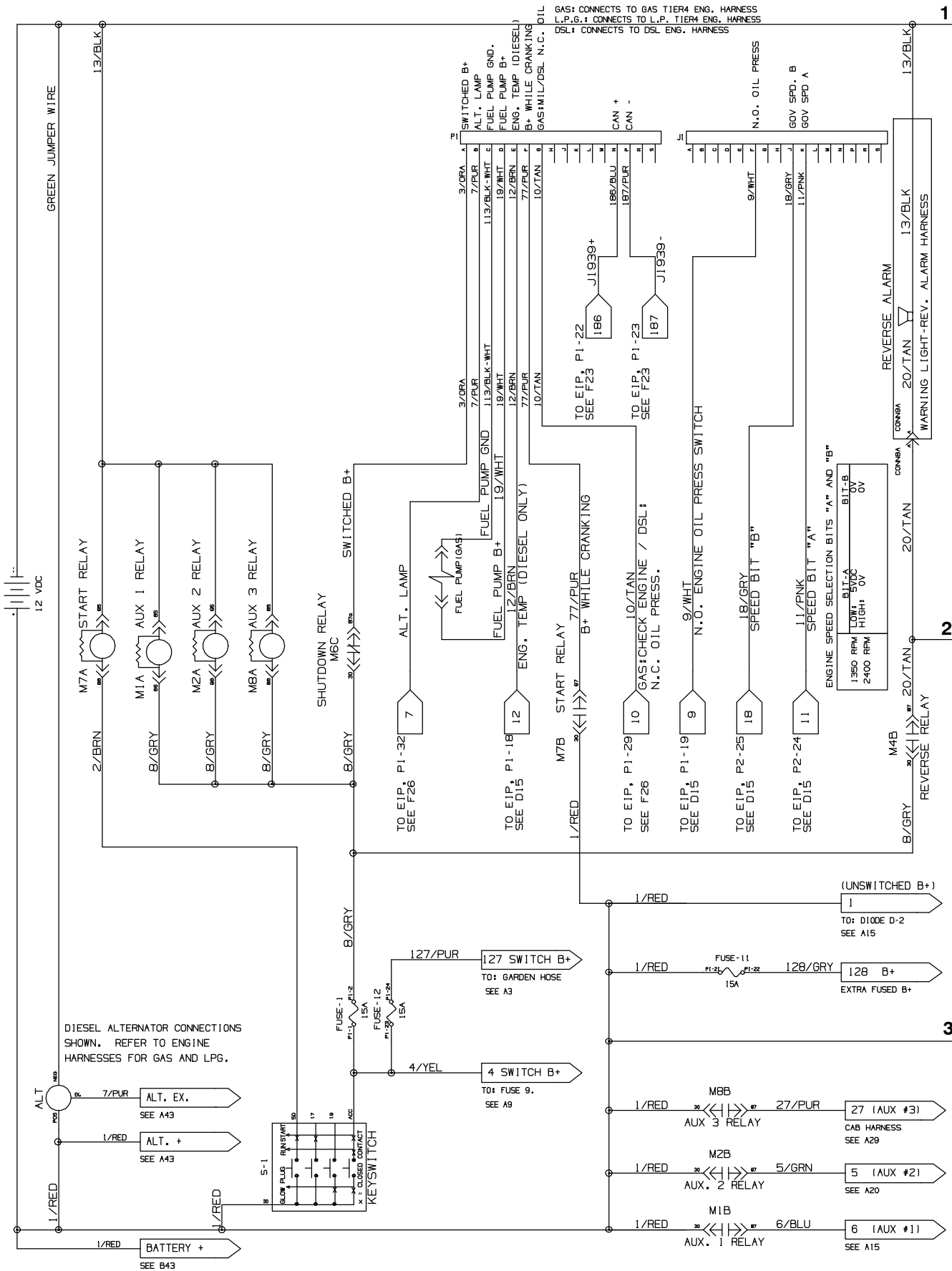
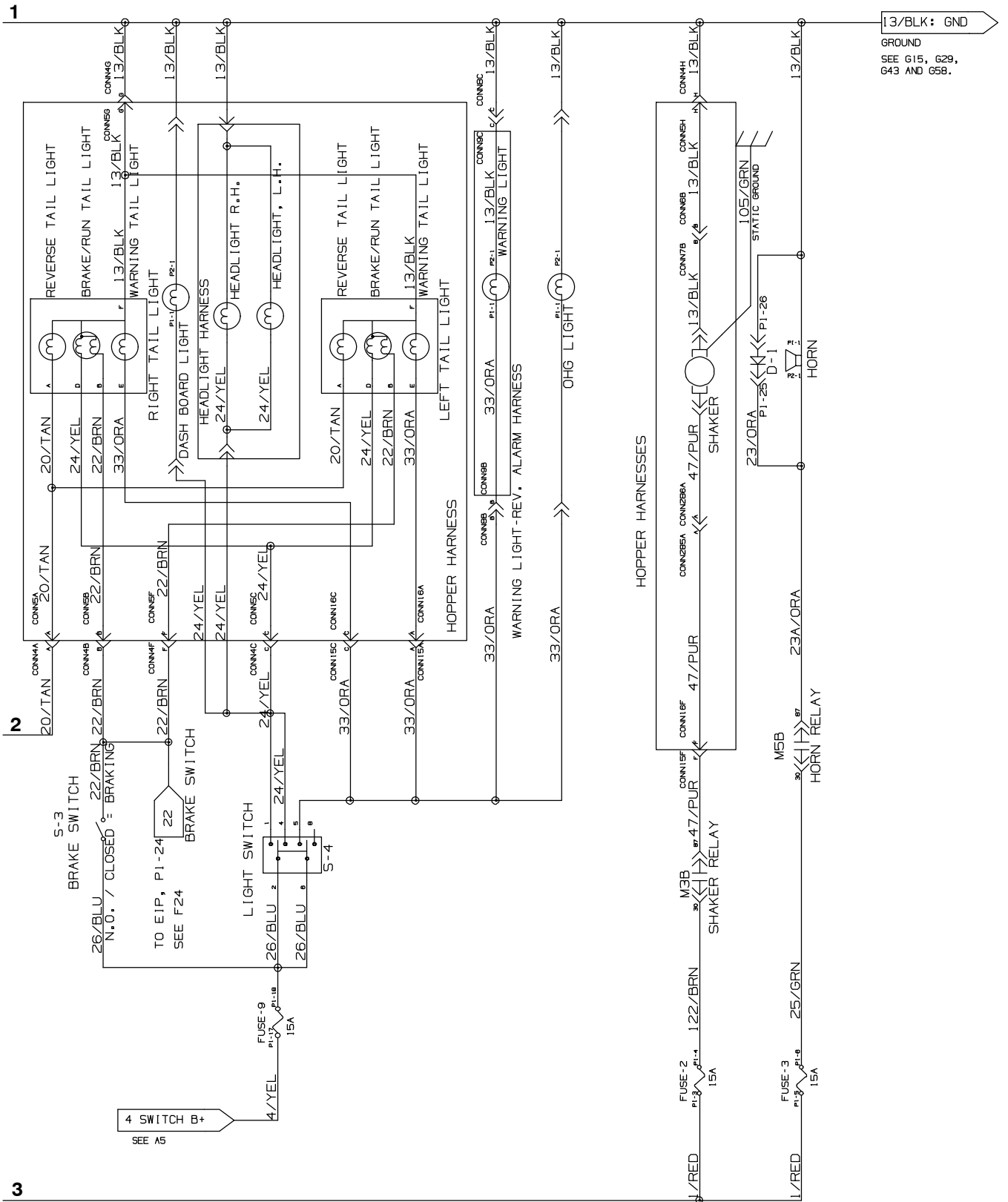
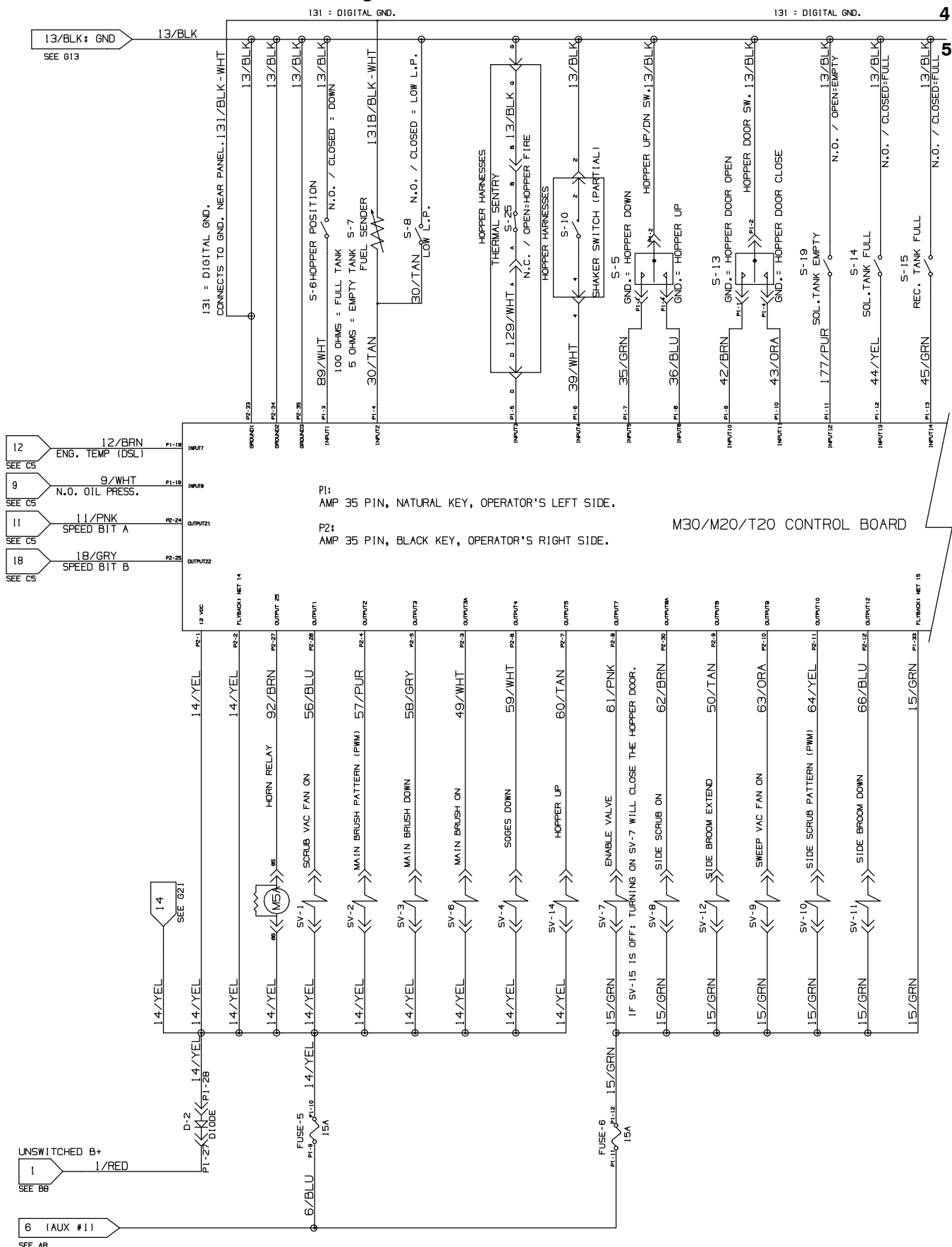




Fig. 61 - Electrical Schematic

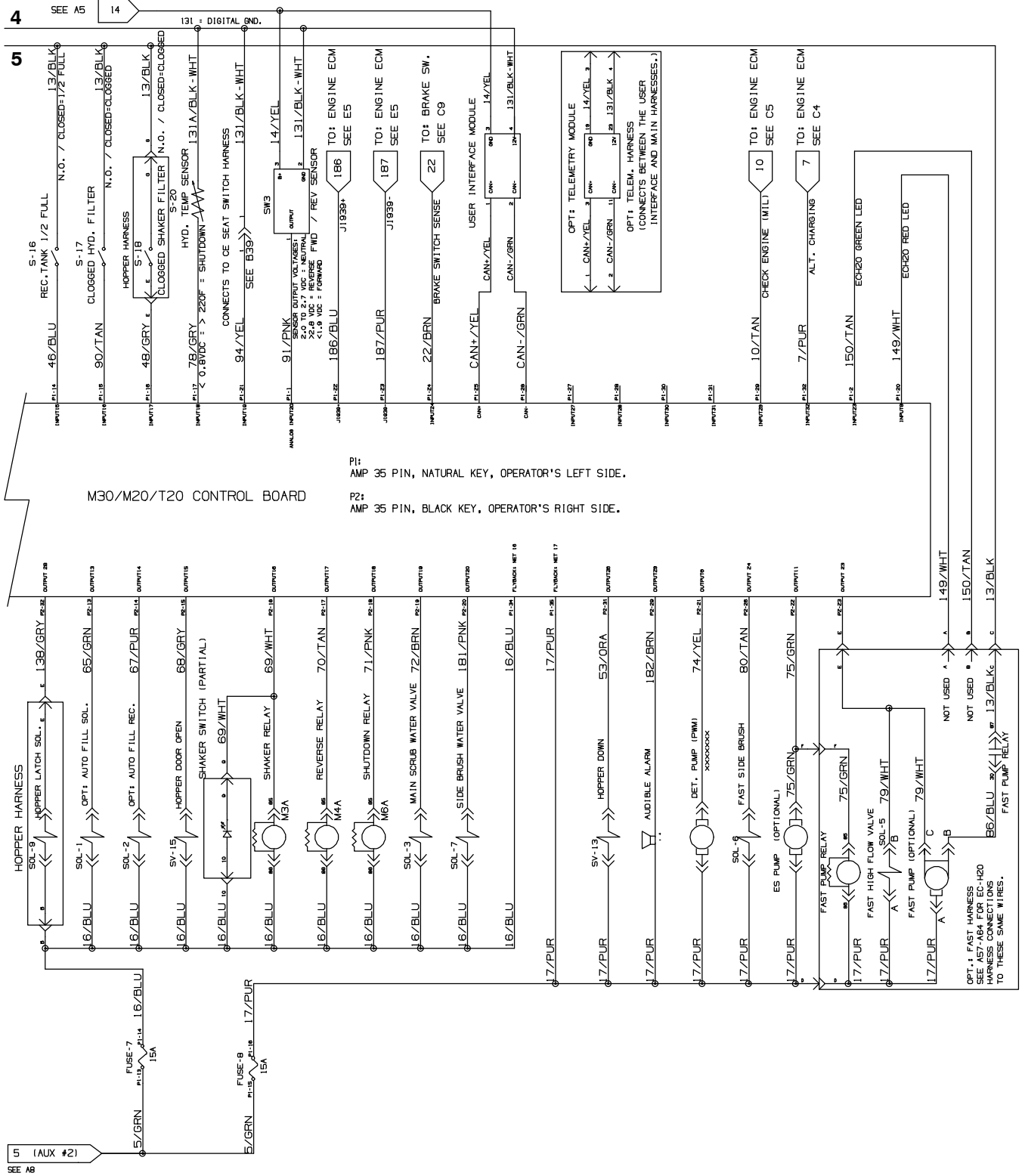


**Fig. 61 - Electrical Schematic**



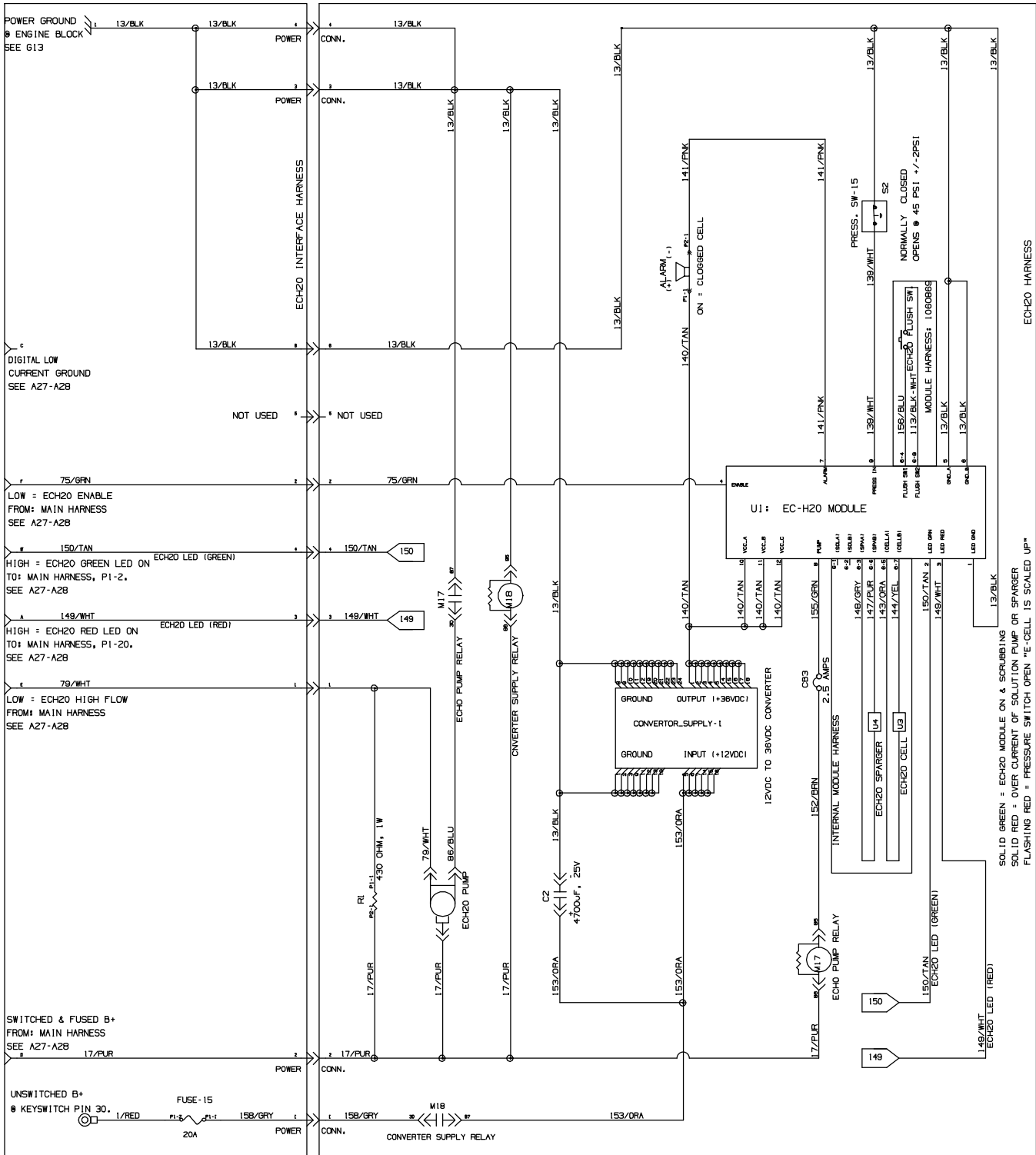
4  
5

Fig. 61 - Electrical Schematic



## Fig. 61 – Electrical Schematic

OPT: EC-H2O SYSTEM

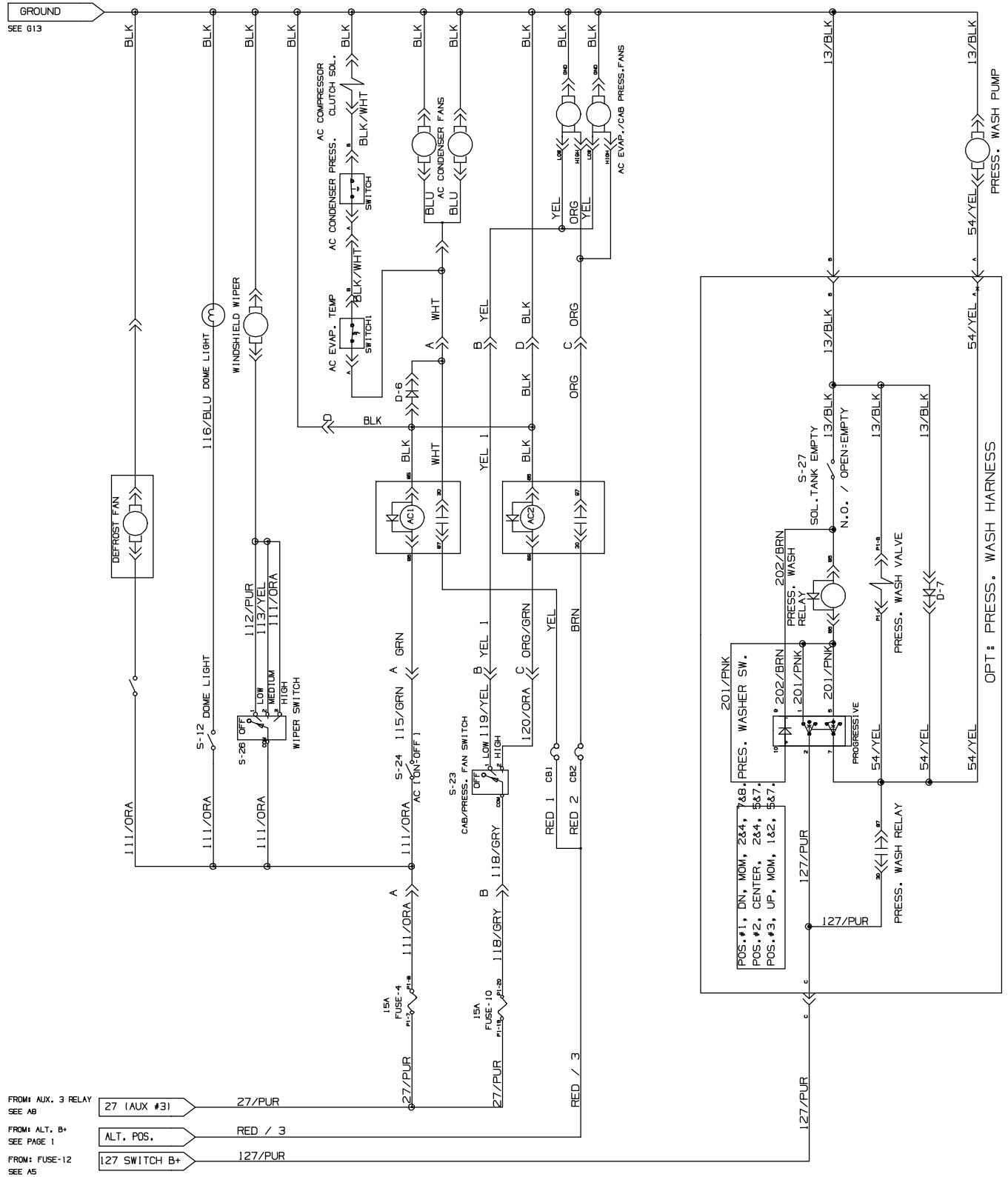


1075420 – 356680

Fig. 61 - Electrical Schematic

OPT: CAB HEATING AND AC OPTION

OPT: PRESSURE WASHER



FROM: AUX. 3 RELAY  
SEE AB

FROM: ALT. B+  
SEE PAGE 1

FROM: FUSE-12  
SEE AS

27 (AUX #3) 27/PUR

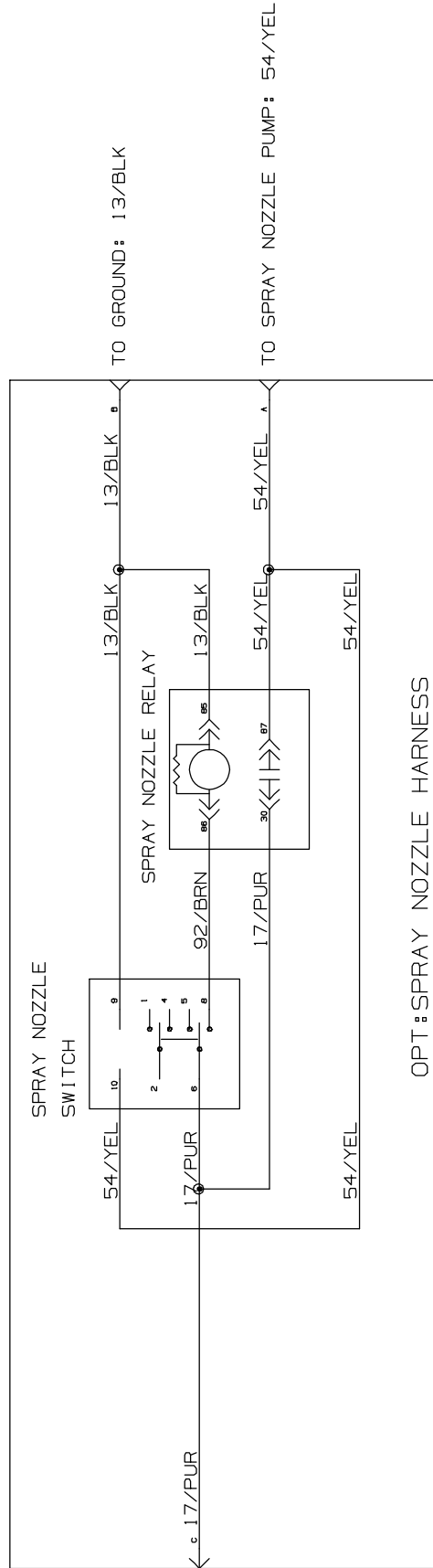
ALT. POS. RED / 3

127 SWITCH B+ 127/PUR

1075420 - 356680

Fig. 61 - Electrical Schematic

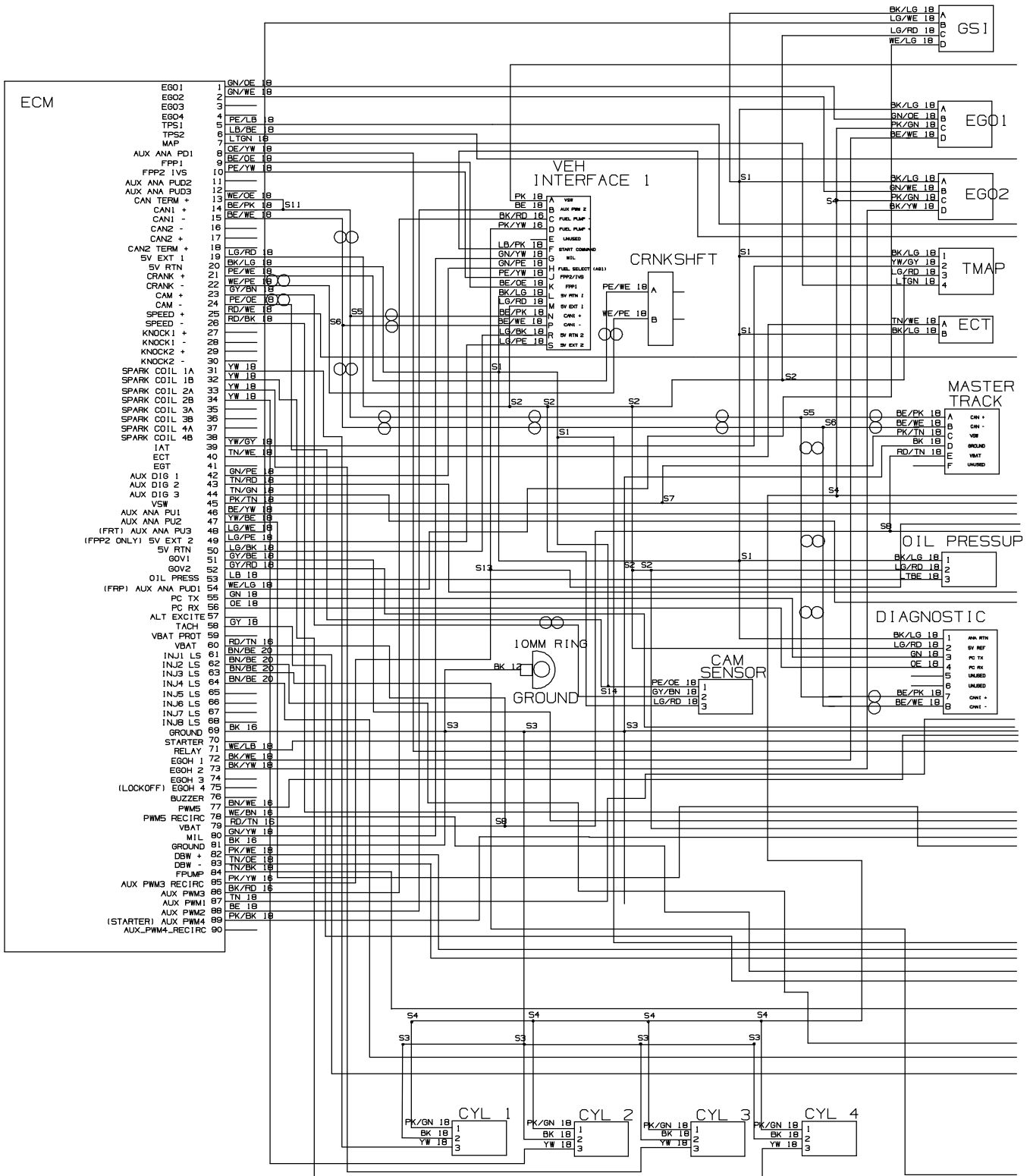
OPT : SPRAY NOZZLE



OPT : SPRAY NOZZLE HARNESS



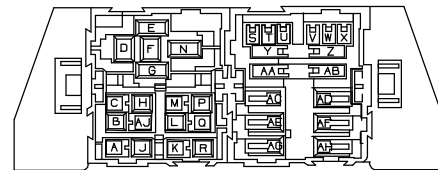
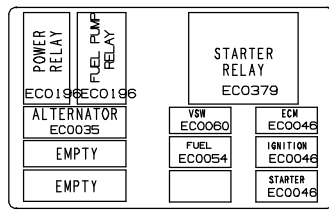
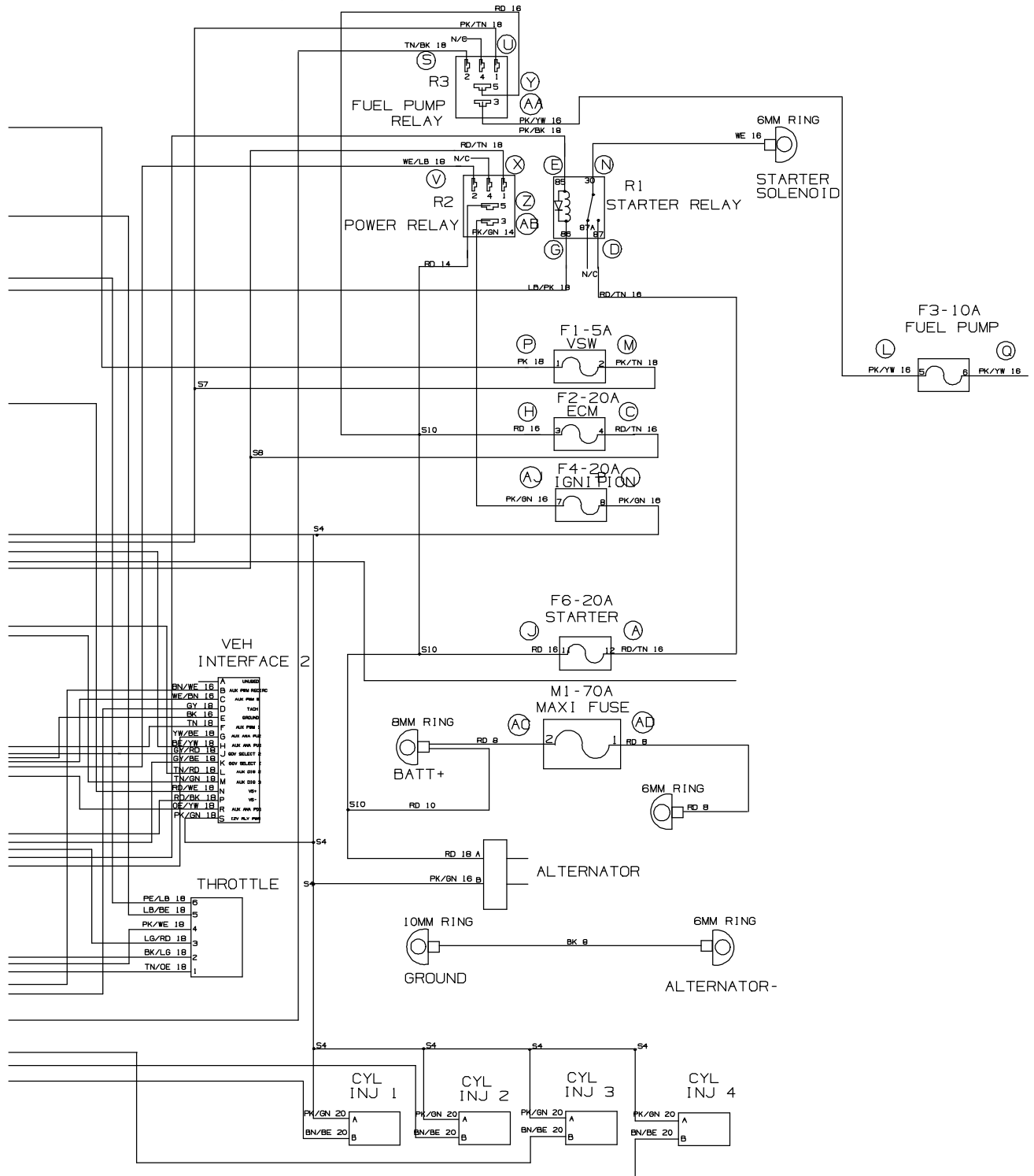
Fig. 62 – Electrical Schematic, Gas Engine Harness



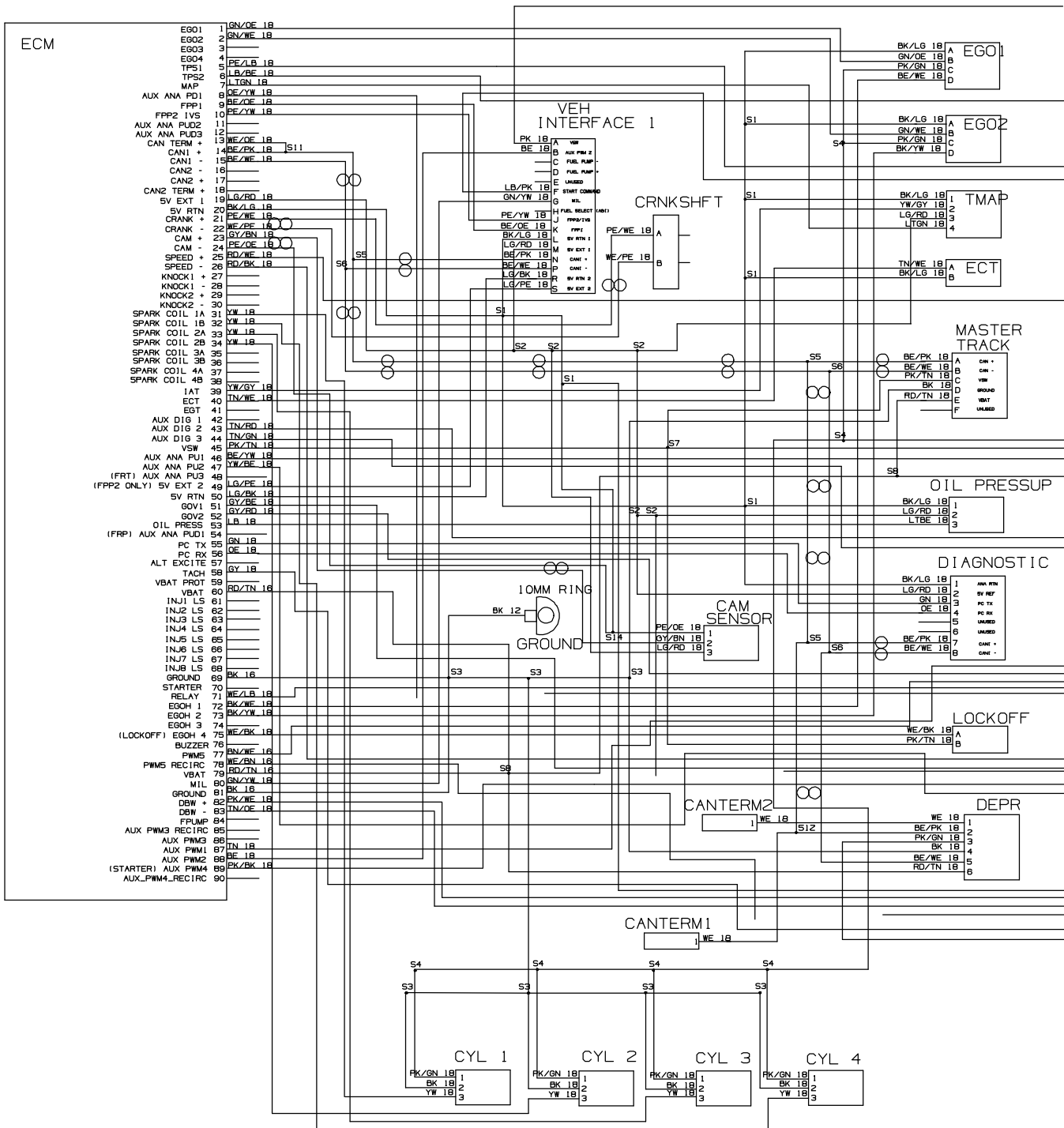
1071653- 356303



Fig. 62 - Electrical Schematic, Gas Engine Harness

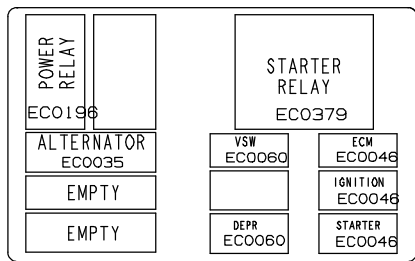
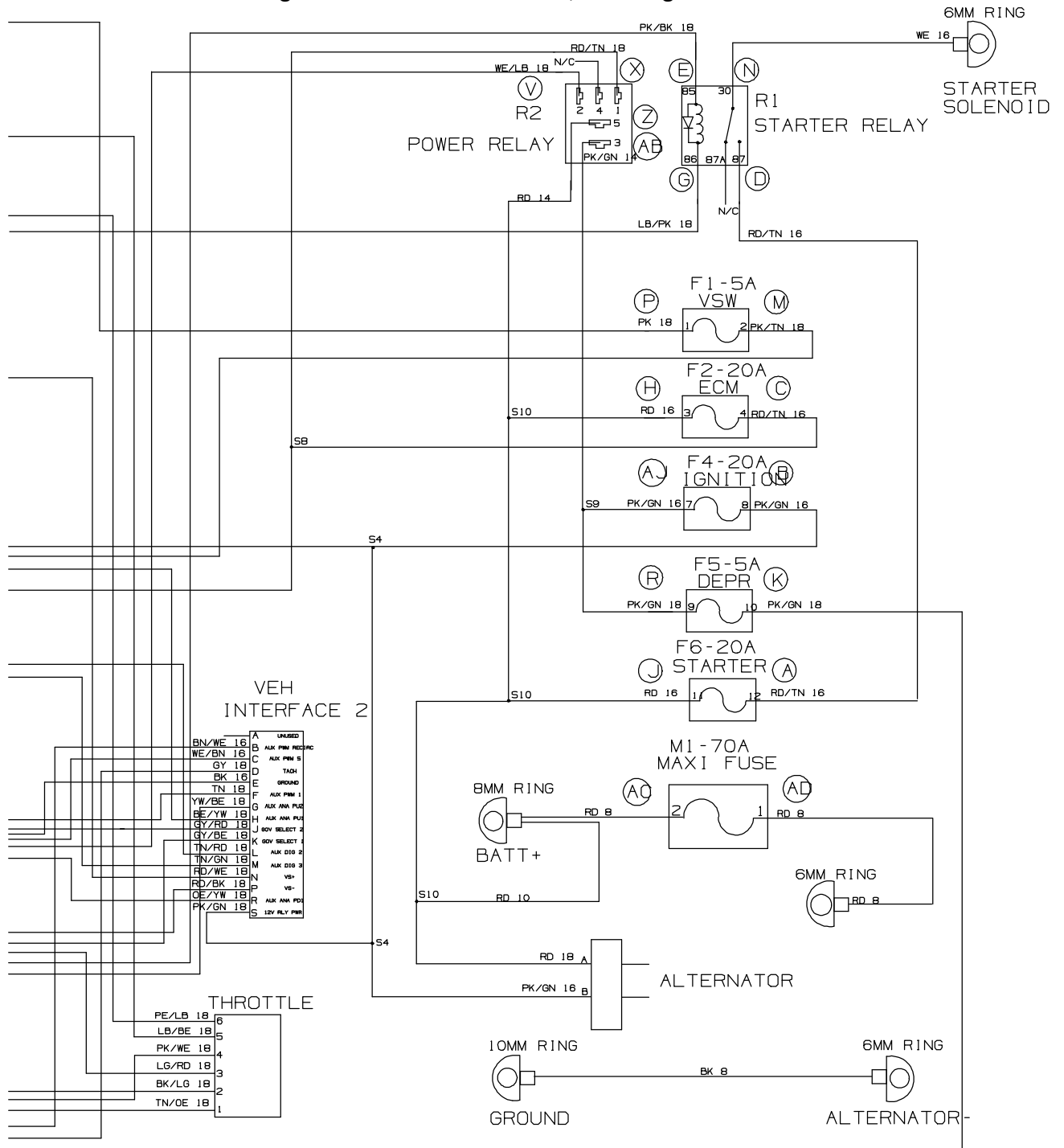


## Fig. 63 – Electrical Schematic, LPG Engine Harness

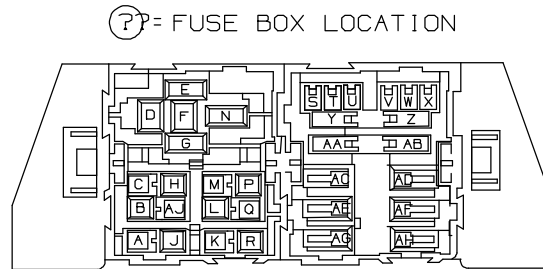


1071654- 356304

Fig. 63 – Electrical Schematic, LPG Engine Harness



LOADING VIEW



CB0186  
WIRE INSERTION VIEW

Fig. 64 – Electrical Wire Harness Group, Main

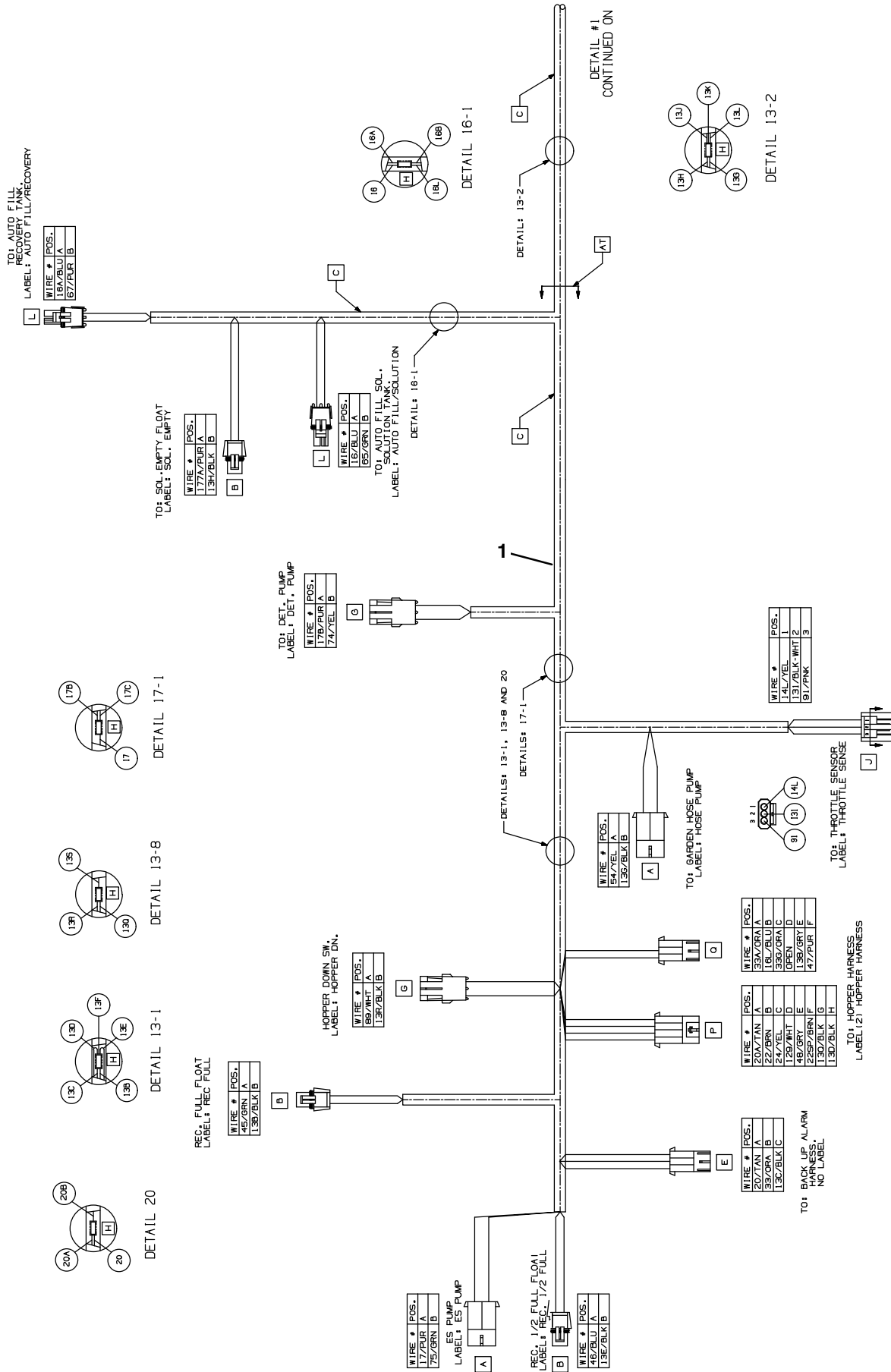
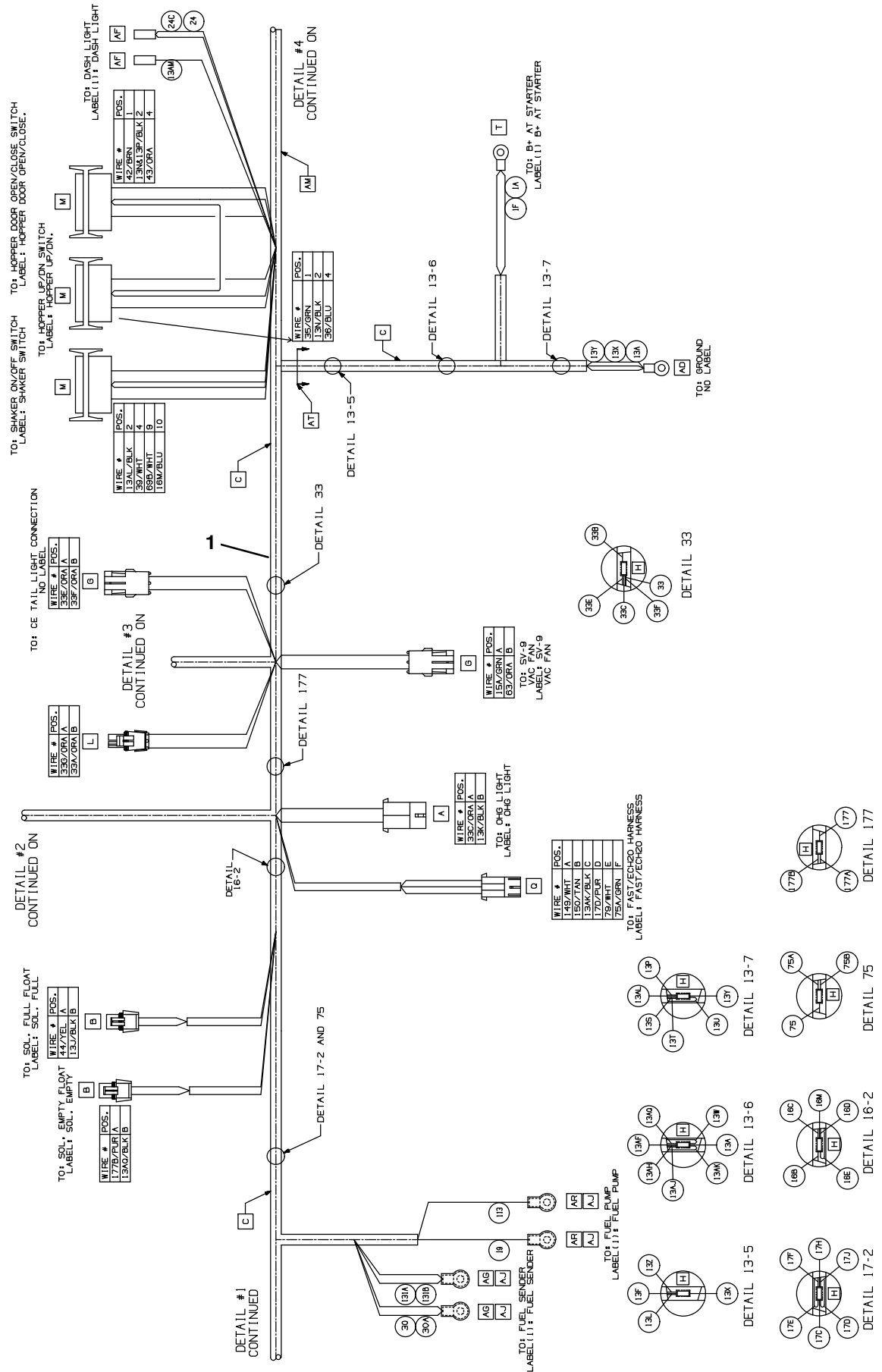


Fig. 64 - Electrical Wire Harness Group, Main



## Fig. 64 - Electrical Wire Harness Group, Main

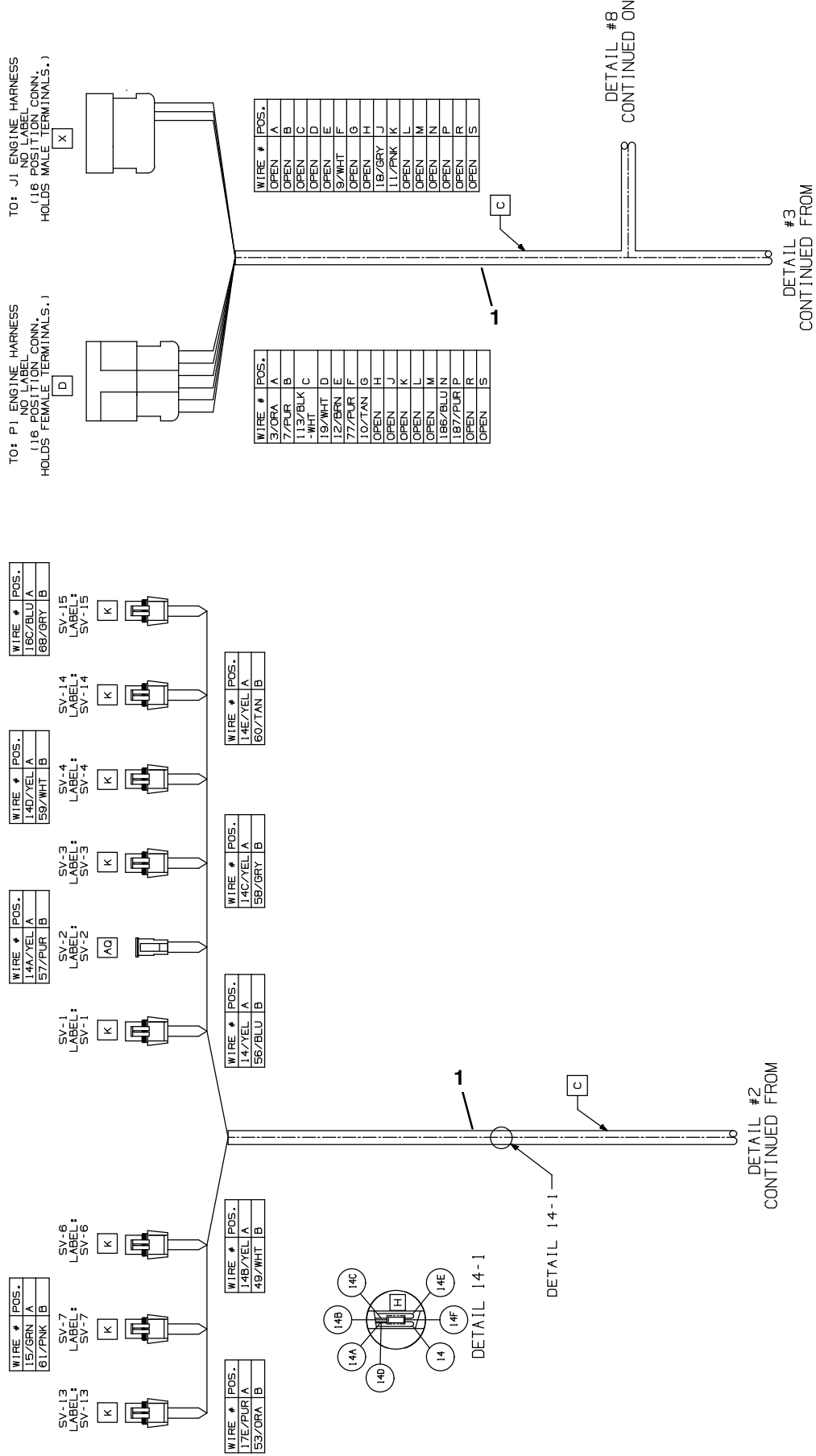


Fig. 64 - Electrical Wire Harness Group, Main

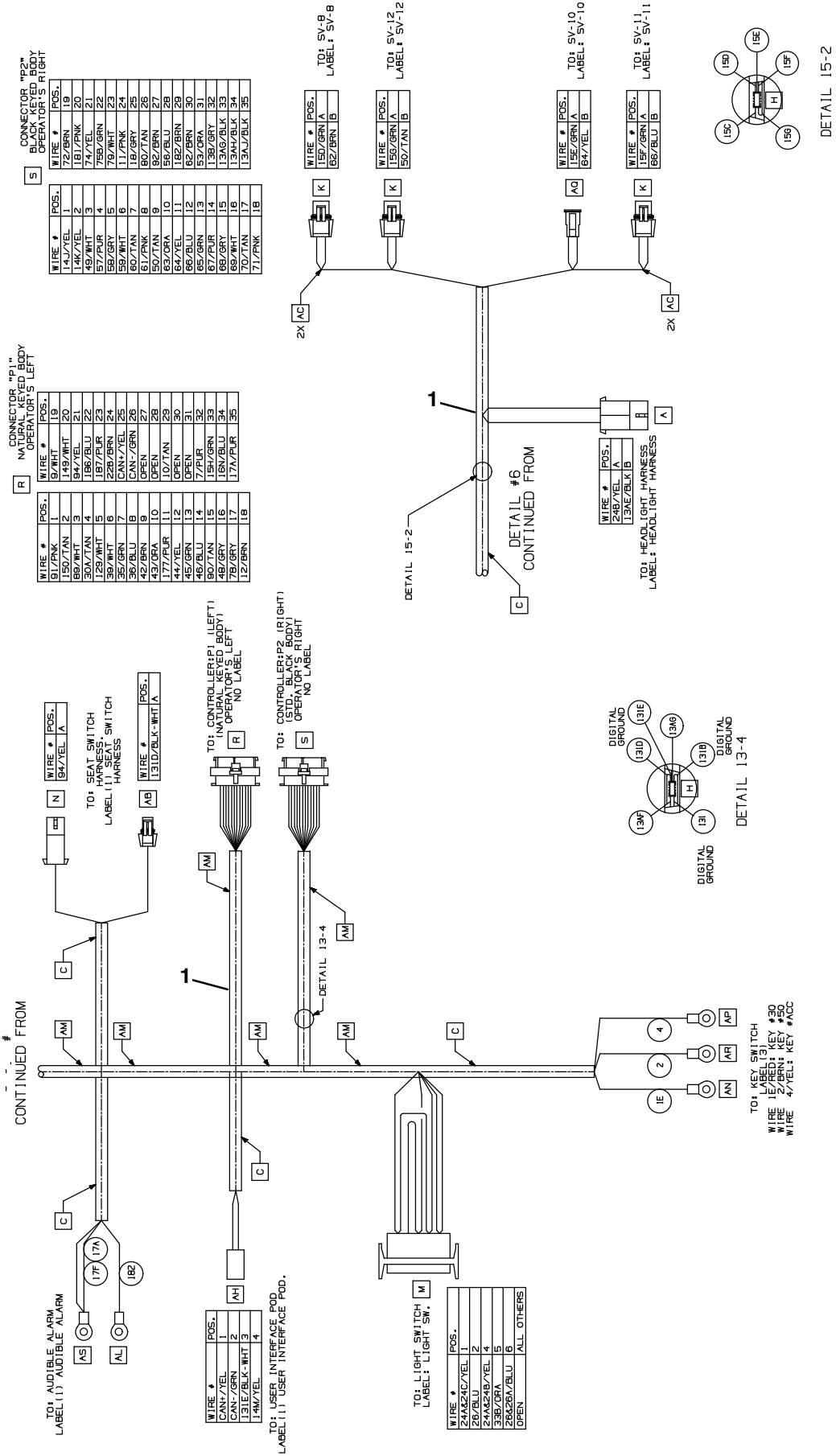


Fig. 64 - Electrical Wire Harness Group, Main

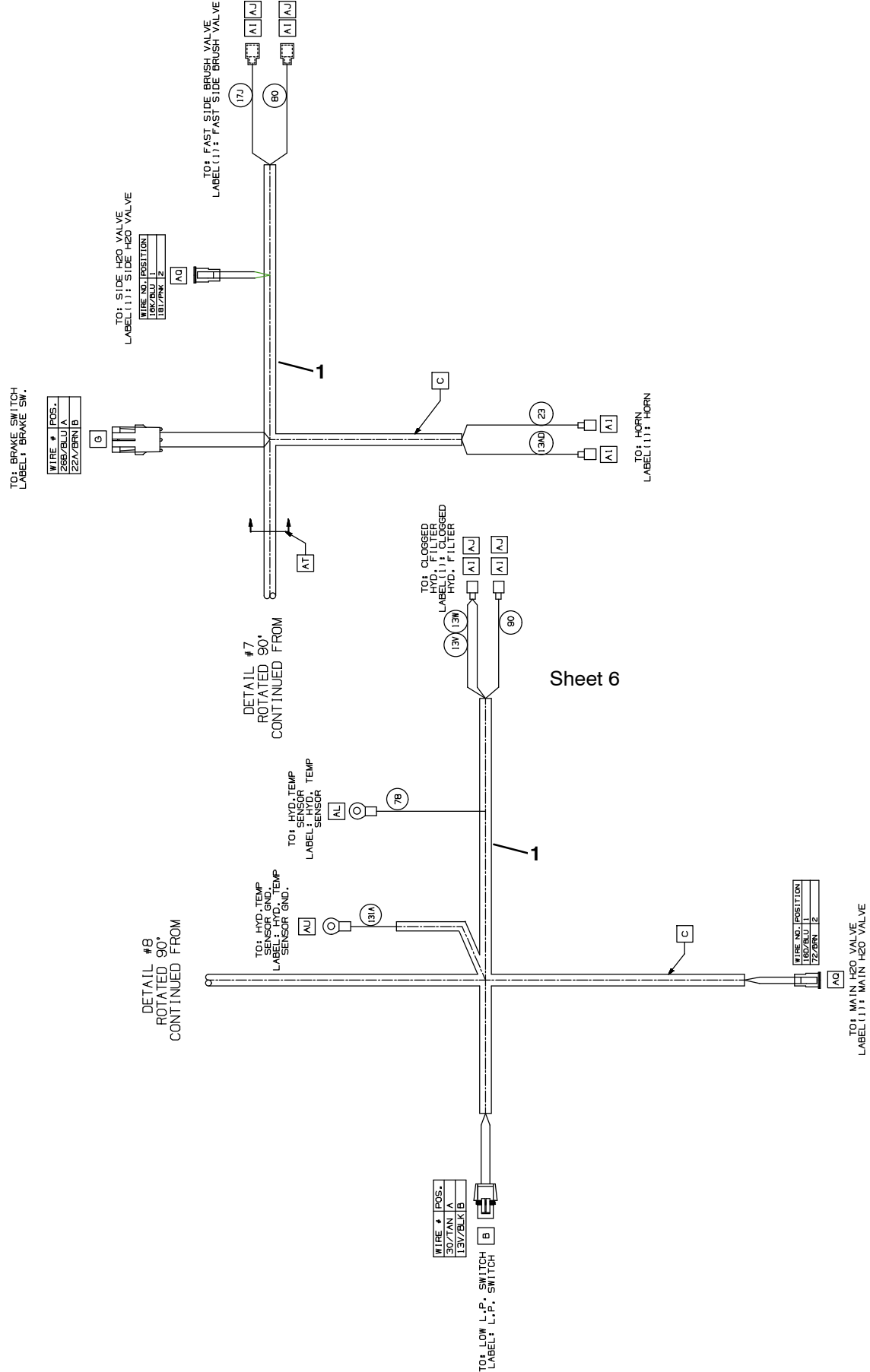
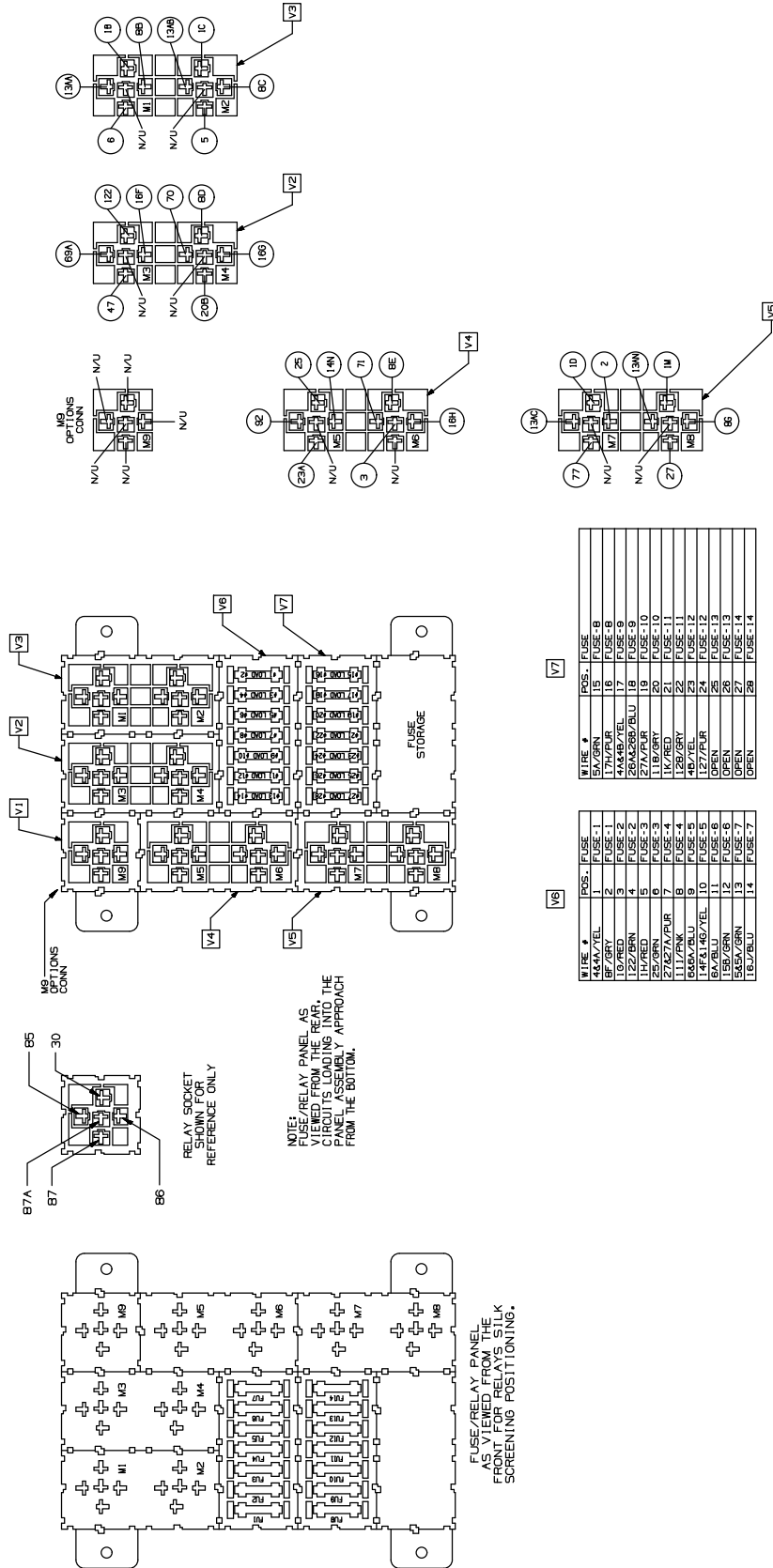




Fig. 64 - Electrical Wire Harness Group, Main

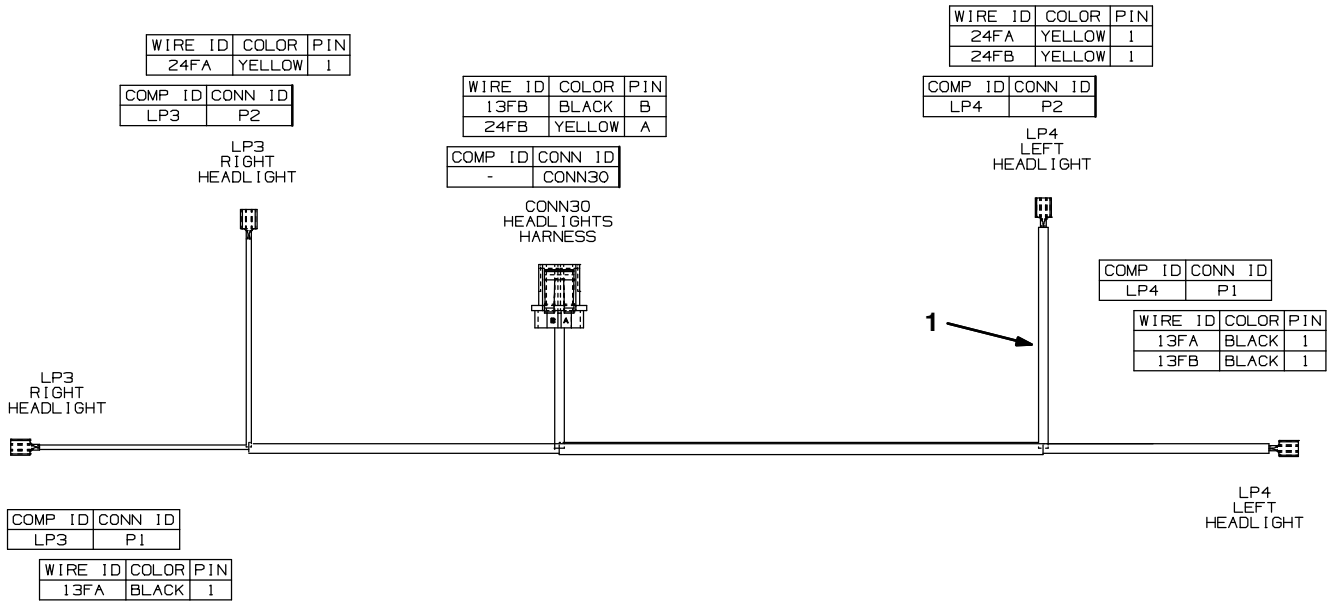


356678 - M20, M30

Ref.	Part No.	Serial Number	Description	Qty.
1	1075079	(008000- )	Harness, Main [M30/M20]	1

# STANDARD PARTS

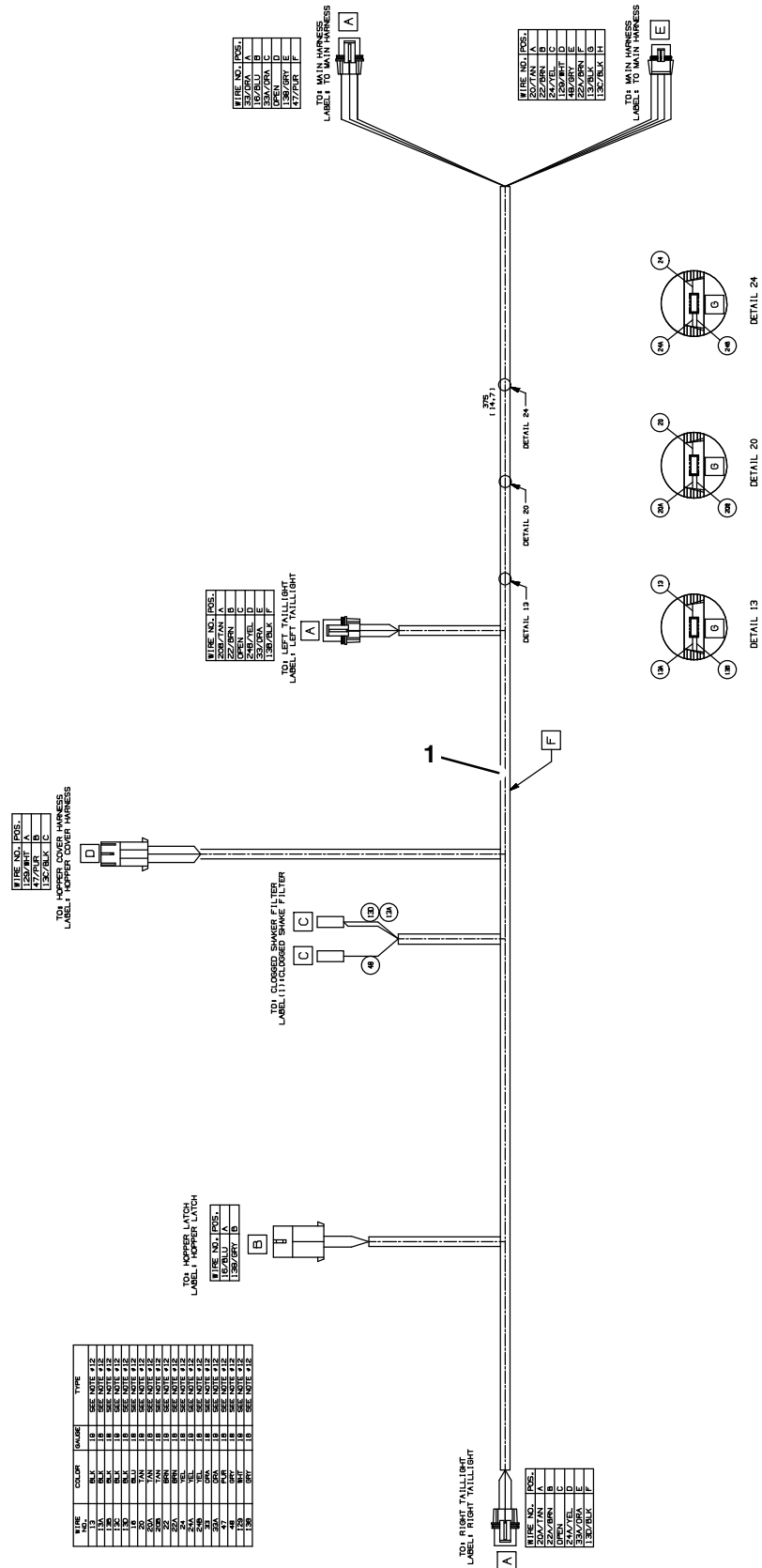
**Fig. 65 – Electrical Wire Harness Group, Headlight**



354716

Ref.	Part No.	Serial Number	Description	Qty.
1	1024141	(008000- )	Harness, Headlight [M20 And T20]	1

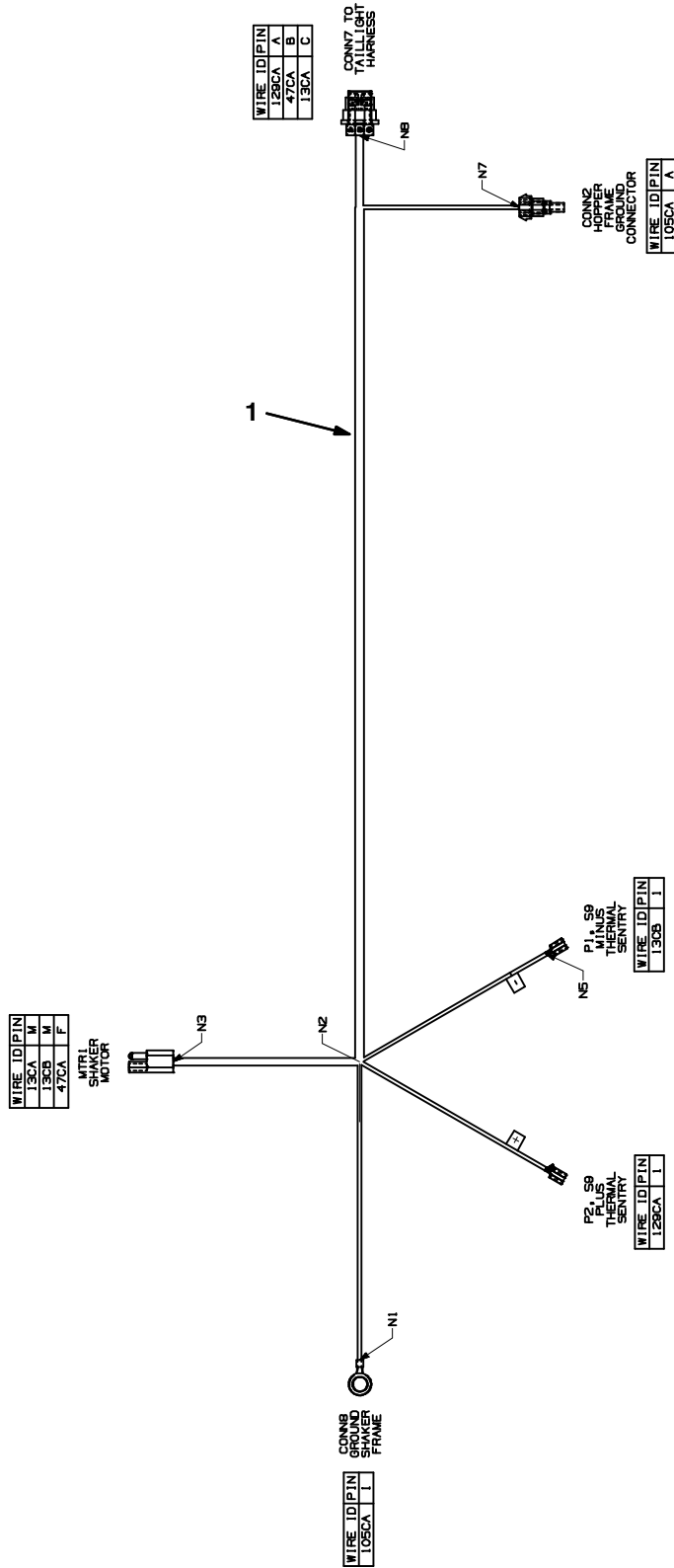
Fig. 66 – Electrical Wire Harness Group, Hopper



356253 – M20, M30

Ref.	Part No.	Serial Number	Description	Qty.
1	1075080	(008000– )	Harness, Hppr, Ele [M20/M30]	1

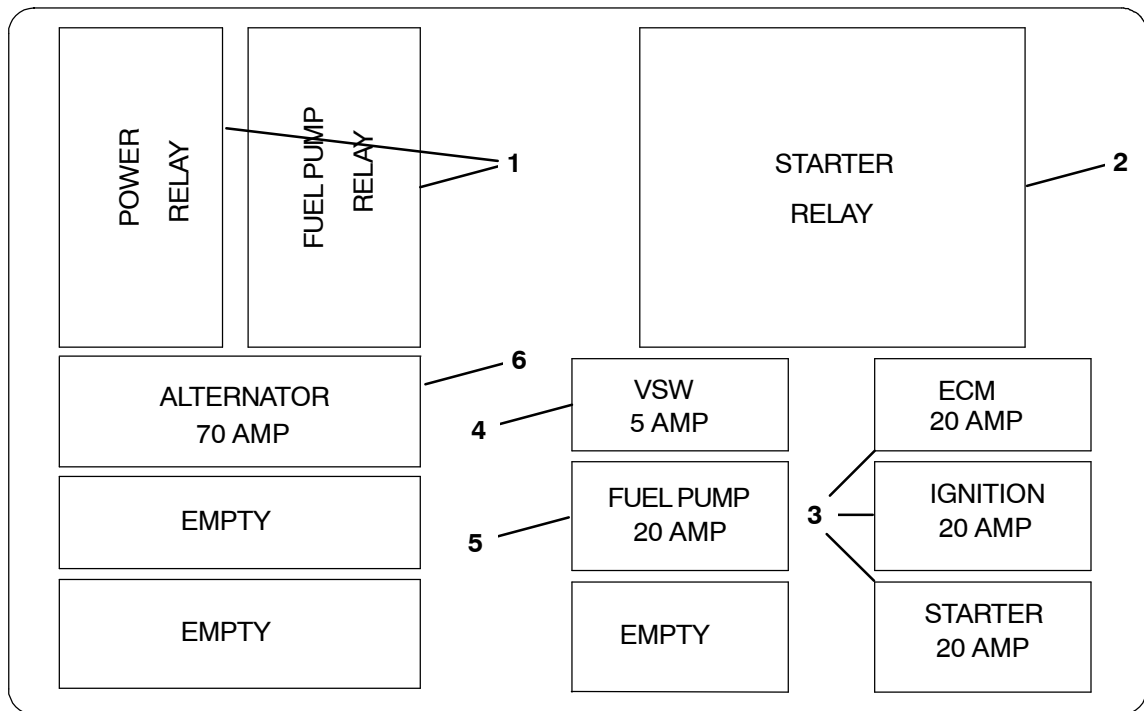
Fig. 67 – Electrical Wire Harness Group, Hopper Cover



354389-354459

Ref.	Part No.	Serial Number	Description	Qty.
1	1064370	(008000- )	Harness, Hppr, Cover [M20]	1




Fig. 68 - Electrical Wire Harness Group, Gasoline/LPG Engine

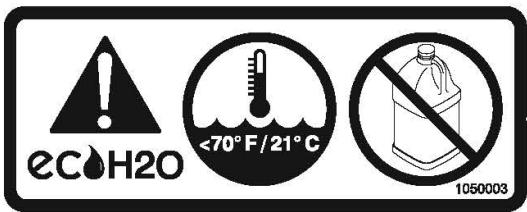


356696 - G/LP

Ref.	Part No.	Serial Number	Description	Qty.
▽	1071653	(008000-	) Harness, Wire, Eng, Gas [Mit, 2.0l]	1
▲	1 394916	(008000-	) Relay, 12vdc, 20a, Spdt	2
▲	2 57804	(008000-	) Relay, 12vdc, 40a, Spdt	1
▲	3 372237	(008000-	) Fuse, 20 Amp, [Min-20]	3
▲	4 372235	(008000-	) Fuse, 5 Amp, [Min-5]	1
▲	5 384999	(008000-	) Fuse, 10 Amp	1
▽	1071654	(008000-	) Harness, Wire, Eng, Lpg [Mit, 2.0l]	1
▲	1 394916	(008000-	) Relay, 12vdc, 20a, Spdt	2
▲	2 57804	(008000-	) Relay, 12vdc, 40a, Spdt	1
▲	3 372237	(008000-	) Fuse, 20 Amp, [Min-20]	3
▲	4 372235	(008000-	) Fuse, 5 Amp, [Min-5]	1
▲	5 384999	(008000-	) Fuse, 10 Amp	1
▲	6 1076351	(008000-	) Fuse, Blade, 070a, 32vdc [Maxi]	1

Fig. 69 – Label Group

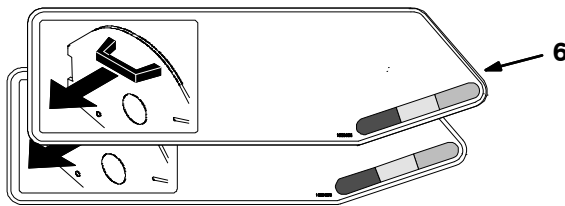
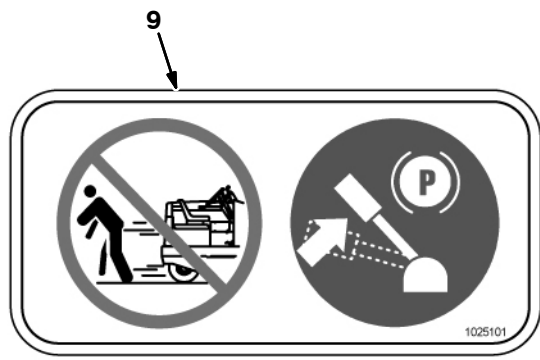
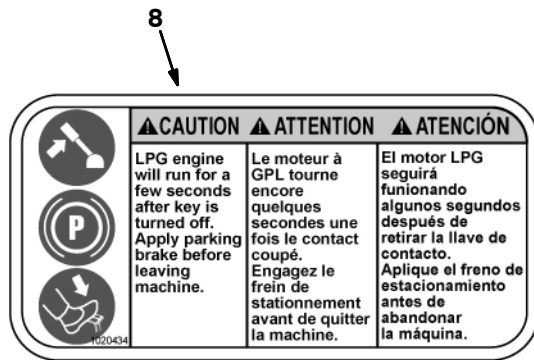
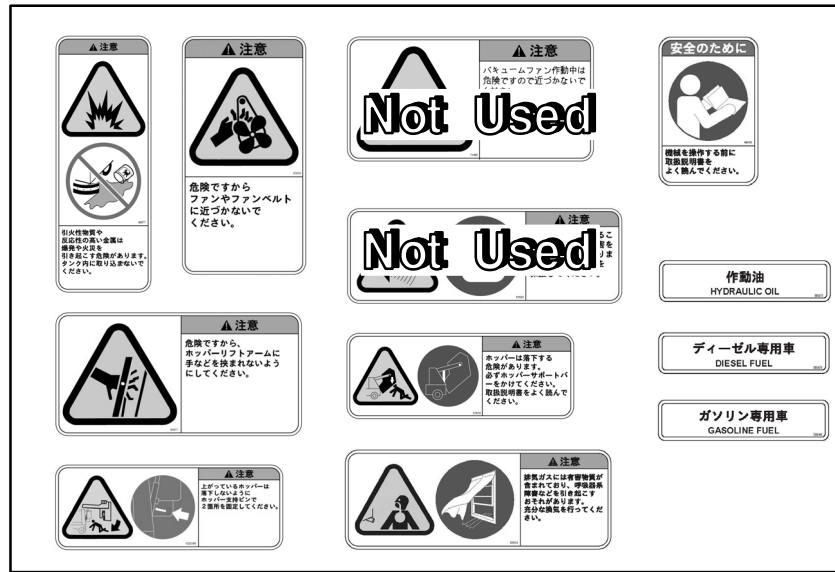
<p><b>WARNING</b></p> <p>Flammable materials can cause explosion or fire. Do not use flammable tank.</p> <p><b>Not Used</b></p> <p>Les matériaux inflammables peuvent provoquer des explosions ou incendies. Ne les ramassez pas.</p> <p><b>ADVERTENCIA</b></p> <p>Los materiales inflamables pueden provocar explosiones o incendios. No utilice materiales inflamables en el depósito(s).</p>	<p><b>WARNING</b> <b>AVERTISSEMENT</b> <b>ADVERTENCIA</b></p> <p>Raised hopper may fall. Engage hopper support pin.</p> <p>En position relevée, le bac à déchets peut retomber. Engagez la broche du support de bac à déchets.</p> <p>La caja colectorá elevada puede caer. Coloque el pasador de apoyo de la caja colectorá.</p>		<p><b>WARNING</b> <b>AVERTISSEMENT</b> <b>ADVERTENCIA</b></p> <p>Machine emits toxic gases. Serious injury or death can result. Provide adequate ventilation.</p> <p>La machine produit des gaz toxiques. Cas gaz peuvent provoquer des blessures ou la mort. Veillez à ce que l'endroit soit bien aéré.</p> <p>La máquina emite gases tóxicos. Pueden provocar lesiones graves o fatales. Asegúrese de que existe suficiente ventilación.</p>
<p><b>WARNING</b></p> <p>Flammable materials or reactive metals can cause explosion or fire. Do not pick up.</p> <p><b>AVERTISSEMENT</b></p> <p>Les matériaux inflammables ou les métaux réactifs peuvent causer une explosion ou un incendie. Ne les ramassez pas.</p> <p><b>ADVERTENCIA</b></p> <p>Los materiales inflamables o metales reactivos pueden causar explosiones o incendios. No los recoja.</p>	<p><b>WARNING</b></p>  <p>Moving belt and fan. Keep away.</p> <p><b>AVERTISSEMENT</b></p> <p>La courroie et le ventilateur sont en mouvement. Ne vous approchez pas.</p> <p><b>ADVERTENCIA</b></p> <p>Correa y ventilador en movimiento. Manténgase alejado.</p>		<p><b>WARNING</b></p> <p>Strong vacuum. Keep away from fan inlet when fan is running.</p> <p><b>Not Used</b></p> <p>Potente aspiración. Manténgase alejado de la entrada del ventilador cuando esté funcionando.</p>
<p><b>WARNING</b> <b>AVERTISSEMENT</b> <b>ADVERTENCIA</b></p> <p>Machine can emit noise. Hearing protection is required.</p> <p><b>Not Used</b></p> <p>La machine peut émettre du bruit. Utilisez une protection auditive.</p> <p>La máquina puede emitir ruido. Lleve protección para los oídos.</p>	<p><b>FOR SAFETY</b></p> <p>Read manual before operating machine.</p> <p><b>POUR VOTRE SECURITE</b></p> <p>Lisez le manuel avant d'utiliser la machine.</p> <p><b>PARA SEGURIDAD</b></p> <p>Lea el manual antes de operar la máquina.</p>	<p><b>WARNING</b></p> <p>Lift arm pinch point. Stay clear of hoist lift arms.</p> <p><b>AVERTISSEMENT</b></p> <p>Attention au point d'articulation du bras d'élevage. Ne vous approchez pas des bras d'élevage de la trémie.</p> <p><b>ADVERTENCIA</b></p> <p>Punto de pivoteamiento del brazo elevador. No se acerque a los brazos elevadores de la caja colectorá.</p>	



	
	<p><b>WARNING</b></p> <p>Burn hazard. Hot surface. Do NOT touch.</p> <p><b>AVERTISSEMENT</b></p> <p>Risque de brûlures. Surface chaude. Ne pas toucher.</p> <p><b>ADVERTENCIA</b></p> <p>Peligro de quemaduras. Superficie caliente. NO tocar.</p>
	<p><b>注意</b></p> <p>火傷のおそれあり。表面が熱くなっています。さわらないでください。</p>



Fig. 69 – Label Group



M20, G/LP

Ref.	Part No.	Serial Number	Description	Qty.
1	77221	(008000– )	Label Set, Info/Hzrd, Swpr / Scrbr	1
2	1017141	(008000– )	Label Set, Hi Temp	1
3	1065343	(008000– )	Label, Logo, 05.75L 2Color [ES]	3
4	1065342	(008000– )	Label, Logo, 07.95L 2Color [FaST]	3
5	1050003	(008000– )	Label [User, Attention, ec-H2O]	2
6	1031017	(008000– )	Label Set, Brush Indicator & Removal	1
7	1032450	(008000– )	Label Set, Info/Hzrd, Swpr / Scrbr, Tj (Japan Only)	1
8	1020434	(008000– )	Label, Caution [Apply Parking Brake]	1
9	1025101	(008000– )	Label, Caution [Apply Parking Brake] (Japan Only)	1
10	1064662	(008000– )	Label, Model, 2Color [M20]	2
11	1062813	(008000– )	Label, Logo, 12.3L 4Color [ec-H2O]	1
12	1064440	(008000– )	Label, Logo, 16.9L 4Color [ec-H2O]	1





# SECTION 3

<b>Contents</b>	<b>Page</b>
Fig. 1 – ES Pump Group .....	3-2
Fig. 2 – ES Tanks Group .....	3-4
Fig. 3 – Side Brush Motor Group .....	3-6
Fig. 4 – Side Brush Lift Group .....	3-8
Fig. 5 – Side Brush Solution Control Group ....	3-10
Fig. 6 – Side Brush Hydraulic Valve Group ....	3-12
Fig. 7 – Side Brush Hydraulic Hose Group ....	3-14
Fig. 8 – FaST Pumps and Detergent Group ...	3-16
Fig. 9 – FaST Solution Supply Group .....	3-18
Fig. 10 – FaST Solution Supply Group with Side Brush .....	3-20
Fig. 11 – FaST Wire Harness Group .....	3-22
Fig. 12 – ec-H2O Solution Pump Group .....	3-24
Fig. 13 – ec-H2O Solution Pump Supply Group .	3-26
Fig. 14 – ec-H2O Solution Supply Group .....	3-28
Fig. 15 – ec-H2O Solution Supply Group with Side Brush .....	3-30
Fig. 16 – ec-H2O Wire Harnesses Group .....	3-32
Fig. 17 – Backup Alarm Kit .....	3-35
Fig. 18 – Light Kit, Flashing .....	3-36
Fig. 19 – Light Kit, Strobe .....	3-37
Fig. 20 – Light Kit, Flashing Overhead Guard ..	3-38
Fig. 21 – Light Kit, Strobe Overhead Guard ....	3-39
Fig. 22 – Overhead Guard Kit .....	3-40
Fig. 23 – Telemetry Group .....	3-42
Fig. 24 – Vacuum Wand Kit .....	3-44
Fig. 25 – Spray Nozzle Kit .....	3-46
Fig. 26 – Transport Kit .....	3-48
Fig. 27 – Squeegee Guard Kit .....	3-50
Fig. 28 – Pressure Washer Mount Group .....	3-52
Fig. 29 – Pressure Washer Solution Group .....	3-54
Fig. 30 – Pressure Washer Hydraulic Hoses Group .....	3-56
Fig. 31 – Wet Dust Control Hopper Cover Group (010900- ) .....	3-58
Fig. 32 – Fire Extinguisher Kit .....	3-60
Fig. 33 – Frame Tie Down and Tow Group .....	3-61
Fig. 34 – Rear Squeegee Guard Group .....	3-62
Fig. 35 – Front Cover Latch Group .....	3-64
Fig. 36 – Documentation Group (Online Only) ..	3-66

Fig. 1 - ES Pump Group

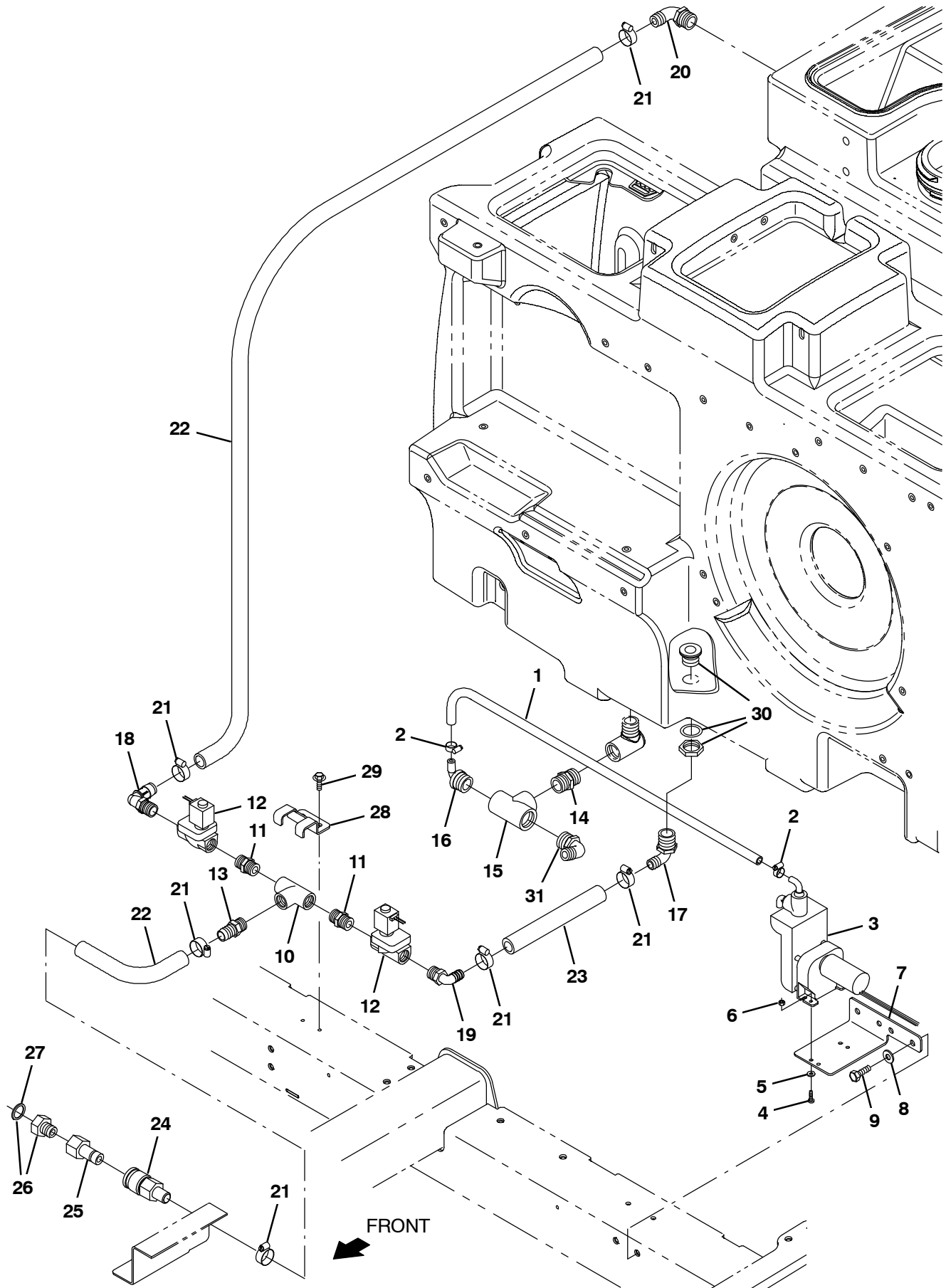


Fig. 1 – ES Pump Group

Ref.	Part No.	Serial Number	Description	Qty.	
1	41295	(008000–	) Hose, Pvc, Clr, 0.38id 0.56od 48.00l	1	
2	43844	(008000–	) Clamp, Hose, Wormdrive, 0.25–0.62d, .31w	2	
3	73260	(008000–	) Pump, Detgt, 14vdc, 150ml/Min 20psi (See Breakdowns)	1	
4	24265	(008000–	) Screw, Pan, M4 X 0.7 X 16, Ss	2	
5	01683	(008000–	) Washer, Flat, #10, Ss	2	
6	33932	(008000–	) Nut, Hex, Lock, M4 X 0.7, NI, Ss	2	
7	1021325	(008000–	) Bracket, Mtg, Valve	1	
8	01685	(008000–	) Washer, Flat, 0.31, Ss	2	
9	09740	(008000–	) Screw, Hex, M8 X 1.25 X 20, Ss	2	
10	79497	(008000–	) Fitting, Plstc, Tee, Pf08/Pf08/Pf08	1	
11	86508	(008000–	) Fitting, Plstc, Str, Pm08/Pm08	2	
12	73433	(008000–	) Valve, Water, Solenoid, 12vdc 0.08pf	2	
13	78398	(008000–	) Fitting, Plstc, Str, Bm12/Pm08, Nyl	1	
14	24544	(008000–	) Fitting, Plstc, Str, Pm12/Pm12 1.60l	1	
15	42133A	(008000–	) Fitting, Plstc, Tee, Pf12/Pf12/Pf12	1	
16	79484	(008000–	) Fitting, Plstc, E90, Bm06/Pm12, Nyl	1	
17	73468	(008000–	) Fitting, Plstc, E90, Bm10/Pm12	1	
18	63244–2	(008000–	) Fitting, Plstc, E90, Bm12/Pm08	1	
19	630371	(008000–	) Fitting, Plstc, E90, Bm10/Pm08	1	
20	14877	(008000–	) Fitting, Plstc, E90, Bm12/Pm12	1	
21	63810	(008000–	) Clamp, Hose, Wormdrive, 0.56–1.06d, .56w	6	
22	1015045	(008000–	) Hose, Afmkt, Pvc, Brd 0.75id 08ft	1	
23	369811	(008000–	) Hose, Pvc, Brd, 0.62id 0.88od 09.00l	1	
24	24105	(008000–	) Fitting, Brs, Qdc, Bm12/Qf08	1	
25	33295	(008000–	) Fitting, Brs, Qdc, Pf08 [Parker Bh3f]	1	
▽	26	375322	(008000–	) Fitting Kit, Hose, Garden	1
▲	27	01316	(008000–	) Washer, Flat, 0.66b 1.00d .12, Rbr	1
	28	1016837	(008000–	) Bracket, Mtg, Valve	1
	29	361339	(008000–	) Screw, Hex, M6 X 1.0 X 16, Fmg	2
	30	377349	(008000–	) Fitting, Plstc, Pf12/Pf12, Bh	1
	31	73468	(008000–	) Fitting, Plstc, E90, Bm10/Pm12	1

**Fig. 2 - ES Tanks Group**

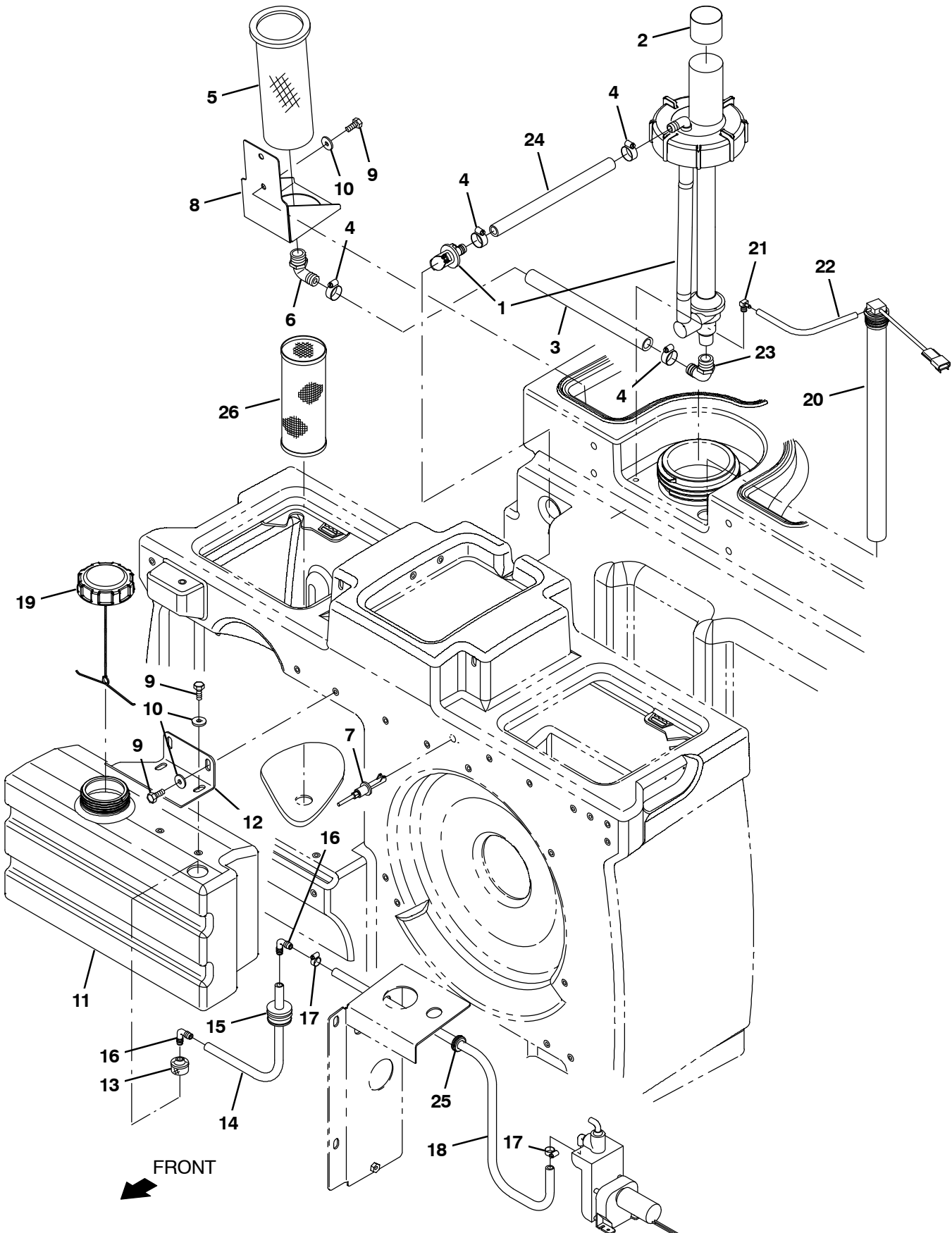


Fig. 2 – ES Tanks Group

Ref.	Part No.	Serial Number	Description	Qty.
1	1021210	(008000-	) Pump Assy, Column, Es (See Breakdowns)	1
2	1028697	(008000-	) Sleeve, Rbr, 3.50b 3.58d 1.8l	1
3	1015048	(008000-	) Hose, Afmkt, Pvc, Brd 0.75id 01ft	1
4	63810	(008000-	) Clamp, Hose, Wormdrive, 0.56-1.06d, .56w	4
5	386652	(008000-	) Strainer, Soltn, 20 Mesh, Cyl 3.5d 9.5l	1
6	24543	(008000-	) Fitting, Plstc, E90, Bm12/Pf12	1
7	385685	(008000-	) Sensor, Level, Liq, 14vdc 01a .62-11	1
8	1019636	(008000-	) Bracket, Mtg, Strainer	1
9	09740	(008000-	) Screw, Hex, M8 X 1.25 X 20, Ss	6
10	1017218	(008000-	) Washer, Flat, 0.32b 1.00d .12, Ss	6
11	1022229	(008000-	) Tank, Detgt, Trimmed	1
12	1025159	(008000-	) Bracket, Mtg, Detgt And Spray Wand	1
13	20952	(008000-	) Screen, Pump	1
14	1014974	(008000-	) Hose, Afmkt, Pvc, Brd 0.38id 02ft	1
15	20944	(008000-	) Grommet, Pye, 0.37id, F/1.5h, .13 Matl	1
16	20951	(008000-	) Fitting, Plstc, E90, Bm06/Bm06	2
17	43844	(008000-	) Clamp, Hose, Wormdrive, 0.25-0.62d, .31w	2
18	41295	(008000-	) Hose, Pvc, Clr, 0.38id 0.56od 48.00l	1
19	1011885	(008000-	) Cap, Tank	1
20	1072877	(008000-	) Switch Assy, Press, 3.0, 17.5l Tube	1
21	32183	(008000-	) Fitting, Brs, E90, Pm02/Bm03	1
22	1031572	(008000-	) Hose, Afmkt, Vacuum, 0.16id, 01ft	1
23	14877	(008000-	) Fitting, Plstc, E90, Bm12/Pm12	1
24	1015033	(008000-	) Hose, Afmkt, Pvc, Brd 0.62ld, 01Ft, Clr	1
25	10632-2	(008000-	) Grommet, Rbr, 0.62id, F/0.9h, .12 Matl	1
26	1039019	(008000-	) Filter, Soltn, 020mesh, Pm12 3.2d 08.0l	1

Fig. 3 – Side Brush Motor Group

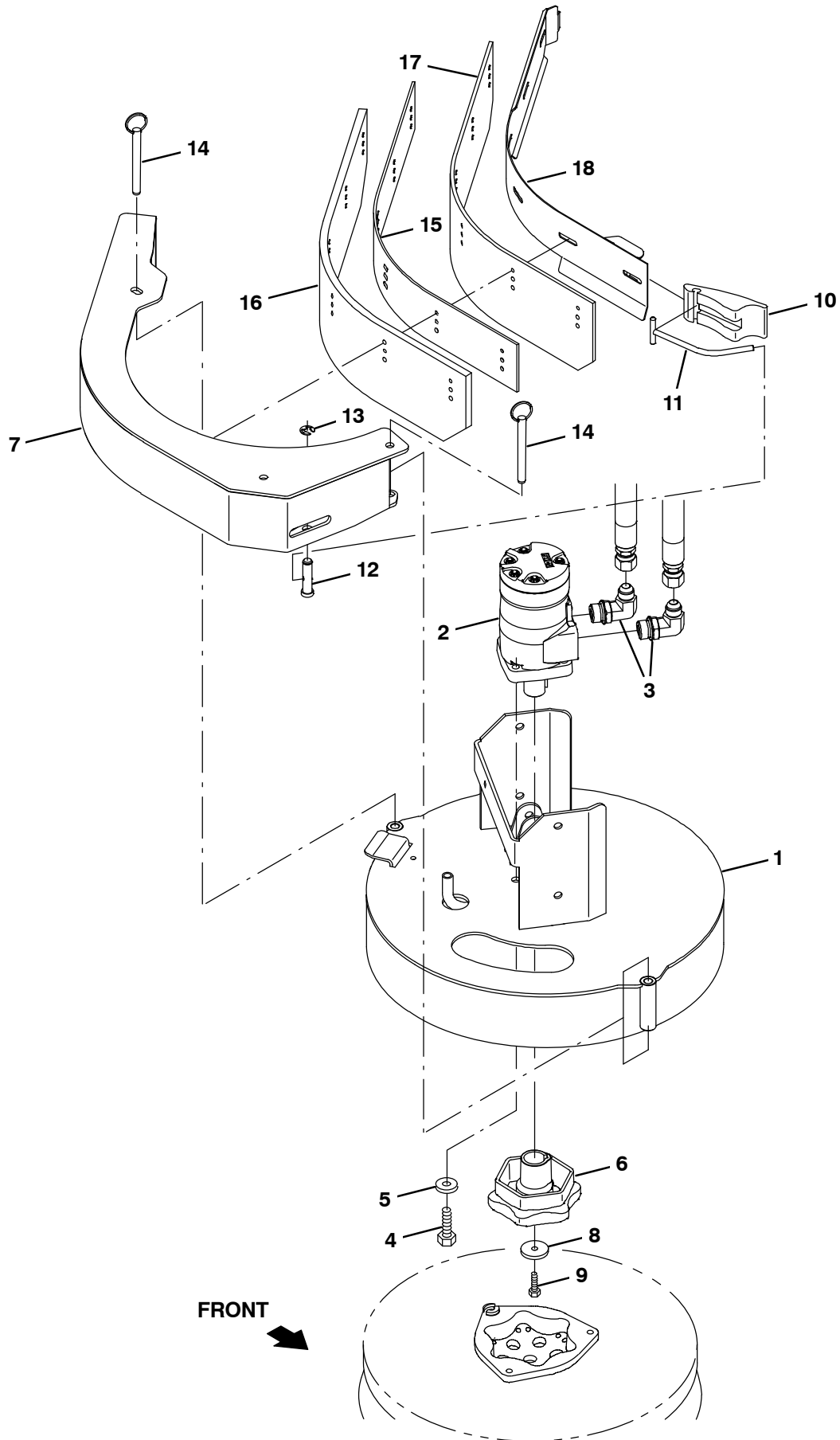


Fig. 3 – Side Brush Motor Group

Ref.	Part No.	Serial Number	Description	Qty.
	1	1047002	(008000– ) Bracket Wldt, Mtg, Side Brush Fixed	1
▽	2	1068812	(008000– ) Motor, Hyd, Gear, Int 08.9 Bi-Dir 2500	1
▲		22615	(008000– ) Seal Kit, Motor [CI]	1
	3	56821	(008000– ) Fitting, Hyd, E90, Jm08/Om10	2
	4	01762	(008000– ) Screw, Hex, .38–16 X 0.75, NI	4
	5	32492	(008000– ) Washer, Flat, 0.38 Std	4
	6	1042968	(008000– ) Hub, Drive, Brush, Disk, 1.00b [6t]	1
	7	1046976	(008000– ) Bumper Wldt, Brush, Side	1
	8	19191	(008000– ) Spacer	1
	9	25046	(008000– ) Screw, Hex, .25–20 X 1.00, 5	1
	10	1222020	(008000– ) Cam, Front, Yel	1
	11	386298	(008000– ) Pin Wldt, Front	1
	12	21603	(008000– ) Pin, Grvd, 0.43d 01.8l [303ss]	1
	13	24555	(008000– ) Ring, Retaining, Ext, 0.38d, [E-Ring]	1
	14	369359	(008000– ) Pin, Hitch, .375d X 3.12l, PI	2
	15	1046995	(008000– ) Spacer, Sqge, Side Brush	1
	16	1046980	(008000– ) Blade, Sqge, Side Brush, Linatex	1
	16	1059091	(008000– ) Blade, Sqge, Side Brush, Urethane	1
	17	1047238	(008000– ) Blade, Sqge, Side Brush, Linatex	1
	17	1059092	(008000– ) Blade, Sqge, Side Brush, Urethane	1
	18	1047060	(008000– ) Plate Wldt, Retainer, Sqge	1

Fig. 4 - Side Brush Lift Group

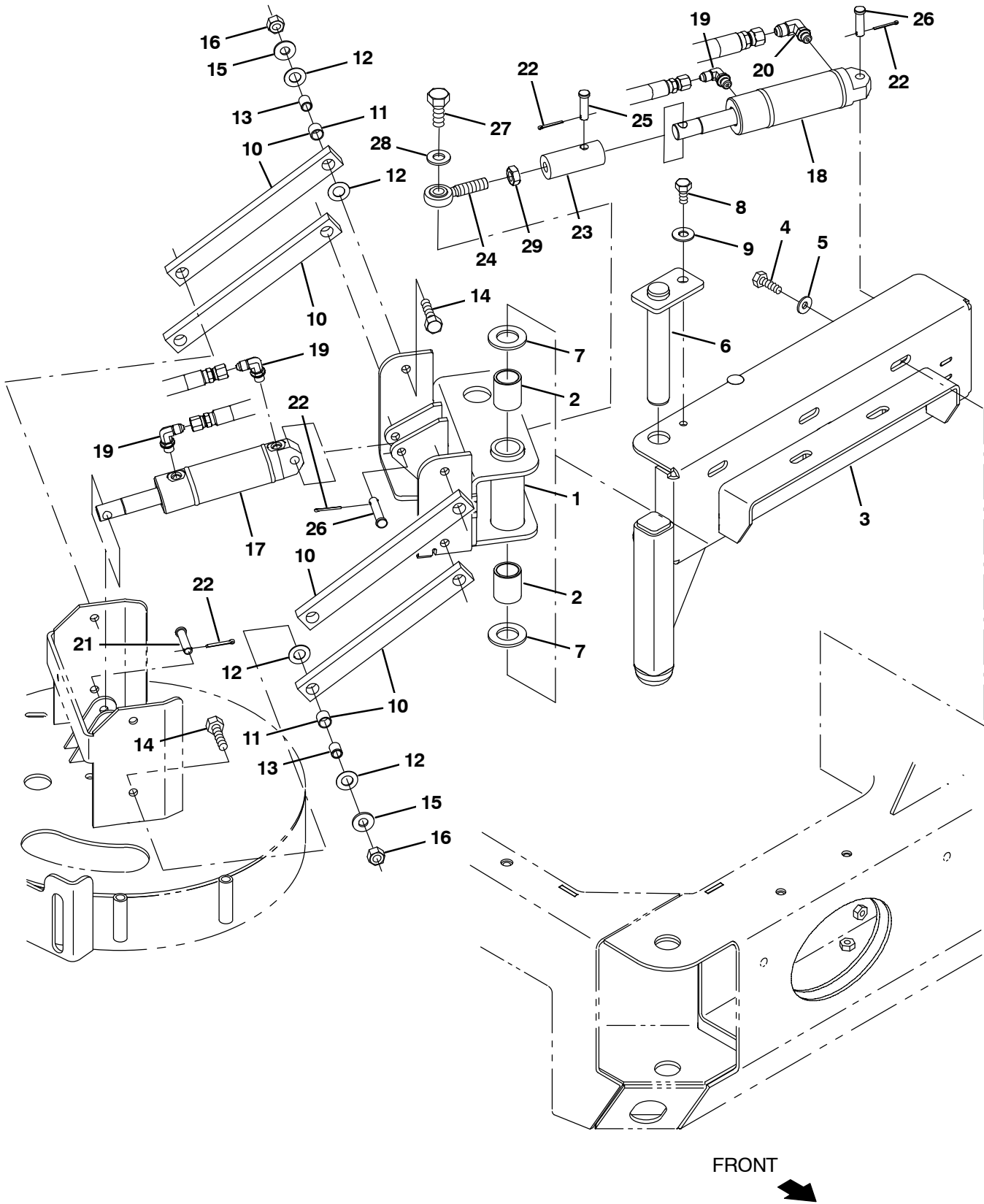
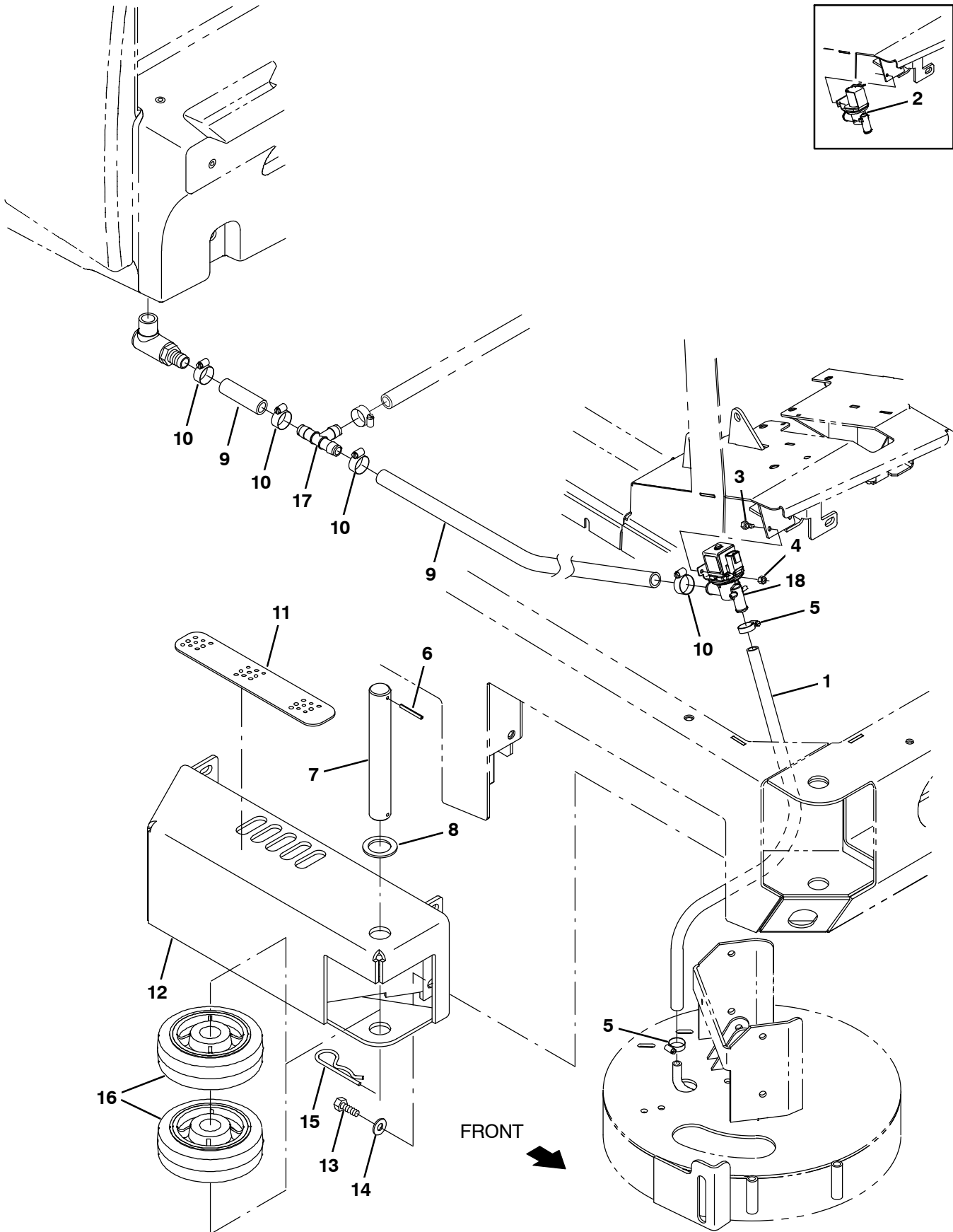




Fig. 4 – Side Brush Lift Group

Ref.	Part No.	Serial Number	Description	Qty.
1	1021439	(008000–	) Pivot Wldt, Brush, Side	1
2	71868	(008000–	) Bushing, Sleeve, 1.00b 1.13d 1.50l, Fgl	2
3	1021473	(008000–	) Channel Wldt, Pivot	1
4	09010	(008000–	) Screw, Hex, M8 X 1.25 X 25, Ss	5
5	41186	(008000–	) Washer, Flat, Belleville, .31	5
6	1021617	(008000–	) Pin Wldt	1
7	71869	(008000–	) Washer, Thrust, 1.00b 1.75d 0.13w, Fbr	2
8	16735	(008000–	) Screw, Hex, M8 X 1.25 X 16, 8.8	1
9	32491	(008000–	) Washer, Flat, 0.31, Std	1
▽	10	63175–1	(008000–) Arm, Link	4
▲	11	63233	(008000–) Bushing, Sleeve, 0.50b 0.59d 0.50l, Bnz	2
	12	59633	(008000–) Bearing, Thrust, 0.53b 1.00d 0.03w	16
	13	1027926	(008000–) Sleeve, P/M, 0.37b 0.50d 0.6l [430ss]	8
	14	36845	(008000–) Screw, Hex, .38–16 X 1.50, Ss	8
	15	01685	(008000–) Washer, Flat, 0.31, Ss	8
	16	59156	(008000–) Nut, Hex, Lock, .38–16, Ni, Ss	8
	17	1038137	(008000–) Cylinder, Hyd, 1.5b 07.8l 02.80strk 2500	1
	18	1038115	(008000–) Cylinder, Hyd, 1.5b 07.8l 02.75strk 2500	1
	19	77097	(008000–) Fitting, Hyd, E90, Jm04/Om04	3
	20	77098	(008000–) Fitting, Hyd, E90, Jm06/Om04	1
	21	29558	(008000–) Pin, Clevis, 0.37d X 1.50l	1
	22	08179	(008000–) Pin, Cotter, .094 X 1.00	4
	23	1021564	(008000–) Adapter, Rod–End, Side Brush	1
	24	71874	(008000–) Rod–End, .50–20rh Mal 0.50b	1
	25	29557	(008000–) Pin, Clevis, 0.37d X 1.31l	1
	26	17461	(008000–) Pin, Clevis, 0.37d X 1.75l	2
	27	41346	(008000–) Screw, Hex, M12 X 1.75 X 30, 8.8	1
	28	32486	(008000–) Washer, Flat, 0.50 Sae	1
	29	48985	(008000–) Nut, Hex, Jam, .50–20	1

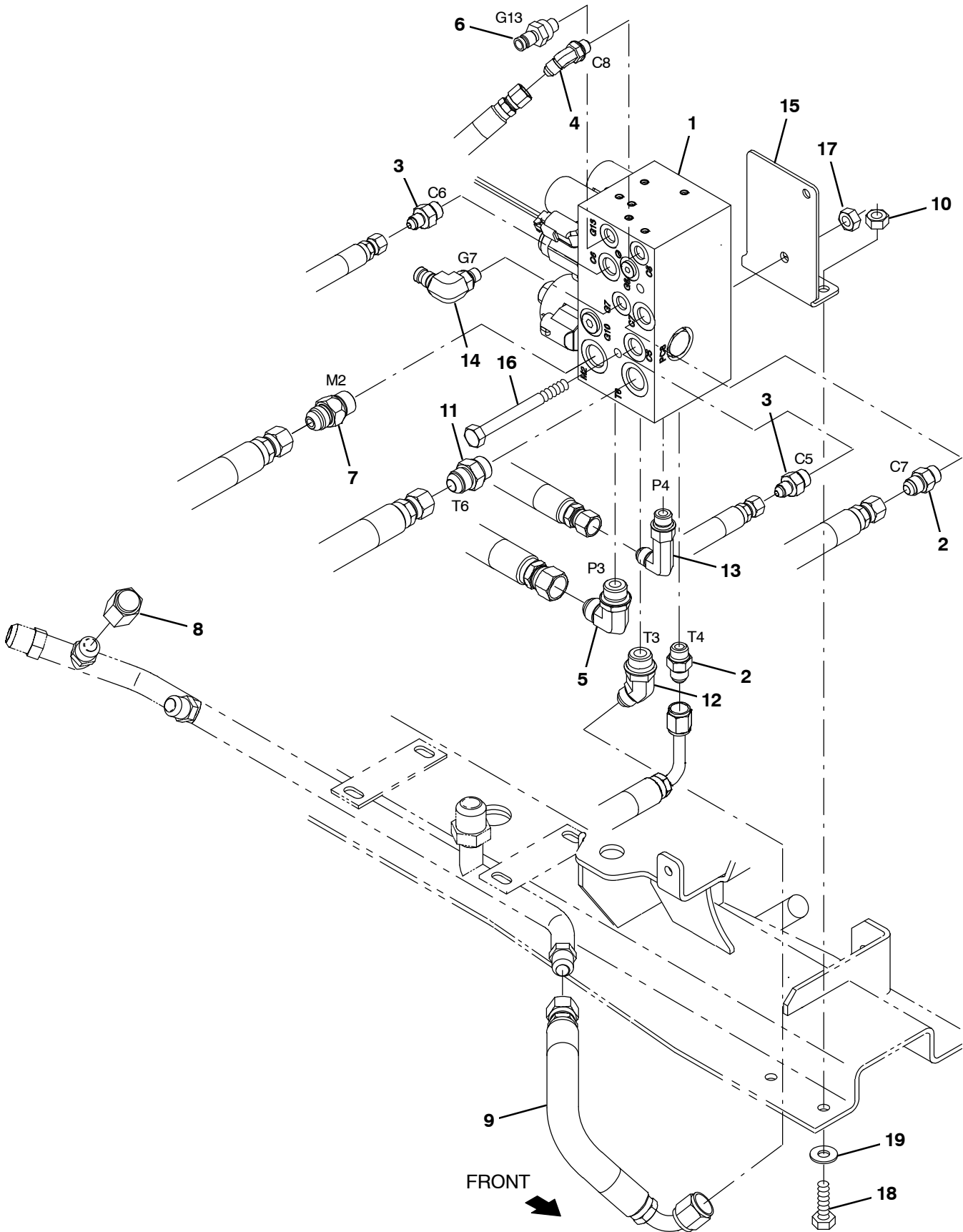
Fig. 5 – Side Brush Solution Control Group



**Fig. 5 – Side Brush Solution Control Group**

<b>Ref.</b>	<b>Part No.</b>	<b>Serial Number</b>	<b>Description</b>	<b>Qty.</b>
1	50178	(008000–	) Hose, Pvc, Clr, 0.50id 0.69od 26.00l	1
2	9016494	(008000–010490	) Valve Kit, Replacement 12v St Flow	1
3	09738	(008000–	) Screw, Hex, M5 X 0.8 X 12, Ss	2
4	09739	(008000–	) Nut, Hex, Lock, M5 X 0.8, NI, Ss	2
5	54333	(008000–	) Clamp, Hose, Wormdrive, 0.31–0.88d, .31w	2
6	23146	(008000–	) Pin, Roll, .187d X 1.62l, .187/.192	1
7	1053838	(008000–	) Pin, 30mmd X 215mml	1
8	47719	(008000–	) Washer, Flat, 1.26b 1.88d .13, Stl	1
9	1015032	(008000–	) Hose, Afmkt, Pvc, Brd 0.62id 08ft	1
10	63810	(008000–	) Clamp, Hose, Wormdrive, 0.56–1.06d, .56w	4
11	82839	(008000–	) Tread, Non–Skid, 02.2w 11.5l	1
12	1022318	(008000–	) Guard Wldt, Brush, Side	1
13	12317	(008000–	) Screw, Hex, M10 X 1.5 X 30, Ss	4
14	01686	(008000–	) Washer, Flat, 0.44b 1.00d .08, Ss	4
15	34411	(008000–	) Pin, Cotter, Hair, 1.00d .178 Wir	1
16	1060130	(008000–	) Wheel, 06.0D 2.00W 1.19B, Gray Rbr	2
17	1062116	(008000–	) Fitting, Plstc, Tee, Bm10/Bm10/Bm10, Nyl	1
18	1075241	(010491–	) Valve Assy, Water, Solenoid, 12vdc	1

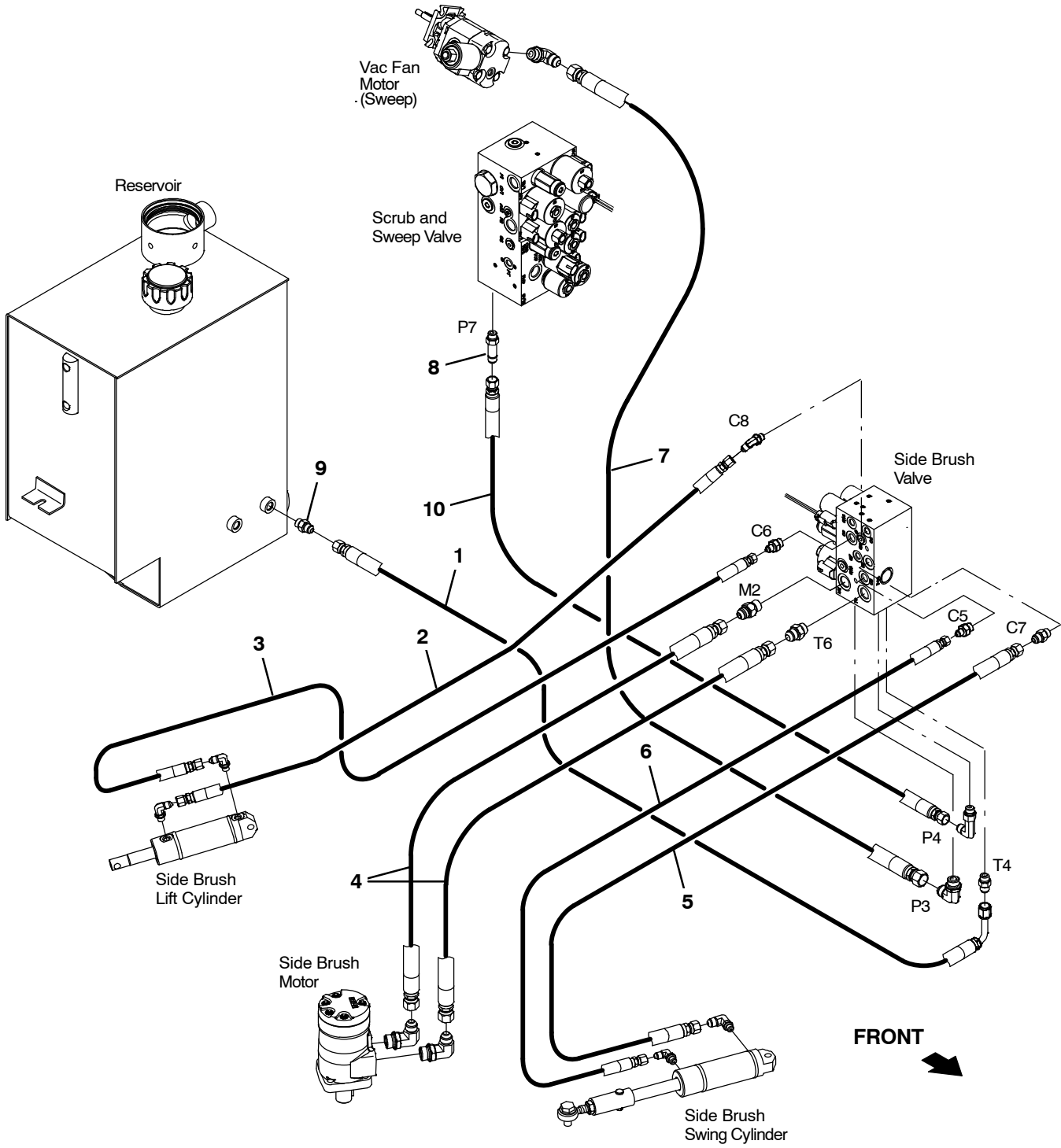
Fig. 6 – Side Brush Hydraulic Valve Group



**Fig. 6 – Side Brush Hydraulic Valve Group**

<b>Ref.</b>	<b>Part No.</b>	<b>Serial Number</b>	<b>Description</b>	<b>Qty.</b>
1	1072997	(008000–	) Valve, Cntrl, Hyd, Solenoid, 03/16gpm (See Breakdowns)	1
2	56690	(008000–	) Fitting, Hyd, Str, Jm06/Om06	2
3	55685	(008000–	) Fitting, Hyd, Str, Jm04/Om06	2
4	34359	(008000–	) Fitting, Hyd, E45, Jm04/Om04	1
5	44868	(008000–	) Fitting, Hyd, E90, Jm08/Om08	1
6	395973	(008000–	) Fitting, Hyd, Str, Om04/Qm04	1
7	1026119	(008000–	) Valve, Hyd, Check, Jm08/Om08 5000psi	1
8	60090	(008000–	) Fitting, Hyd, Cap, Jf08	1
9	1037011	(008000–	) Hose, Hyd, Tc08, Jf08str/Jf08e90, 012.0	1
10	08713	(008000–	) Nut, Hex, Lock, M8 X 1.25, NI, Ss	2
11	44869	(008000–	) Fitting, Hyd, Str, Jm08/Om08	1
12	42226	(008000–	) Fitting, Hyd, E45, Jm08/Om08	1
13	71727	(008000–	) Fitting, Hyd, E90, Jf06/Jm06, Long	1
14	395974	(008000–	) Fitting, Hyd, E90, Om04/Qm04	1
15	1045272	(008000–	) Bracket, Valve, Sba [M20 And T20]	1
16	364441	(008000–	) Screw, Hex, M8 X 1.25 X 110, Ss	2
17	08709	(008000–	) Nut, Hex, Lock, M8 X 1.25, NI	2
18	09010	(008000–	) Screw, Hex, M8 X 1.25 X 25, Ss	2
19	32491	(008000–	) Washer, Flat, 0.31, Std	2

Fig. 7 – Side Brush Hydraulic Hose Group



**Fig. 7 – Side Brush Hydraulic Hose Group**

<b>Ref.</b>	<b>Part No.</b>	<b>Serial Number</b>	<b>Description</b>	<b>Qty.</b>
1	361047	(008000–	) Hose, Hyd, Med06, Jf06e90l/Jf06str,038.0	1
2	1023485	(008000–	) Hose, Hyd, Tc06, Jf04str/Jf04str, 033.0	1
3	1025990	(008000–	) Hose, Hyd, Tc04, Jf04str /Jf04str, 39.0	1
4	1036965	(008000–	) Hose, Hyd, Tc08, Jf08str/Jf08str, 034.0	2
5	1025991	(008000–	) Hose, Hyd, Tc06, Jf06str /Jf06str, 23.0	1
6	1025992	(008000–	) Hose, Hyd, Tc04, Jf04str /Jf04str, 20.0	1
7	1036946	(008000–	) Hose, Hyd, Tc08, Jf08str/Jf08str, 084.0	1
8	59577	(008000–	) Fitting, Hyd, Str, Jm06/Om06, Long	1
9	56690	(008000–	) Fitting, Hyd, Str, Jm06/Om06	1
10	1041389	(008000–	) Hose, Hyd, Tc06, Jf06str/Jf06str, 086.0	1

**Fig. 8 - FaST Pumps and Detergent Group**

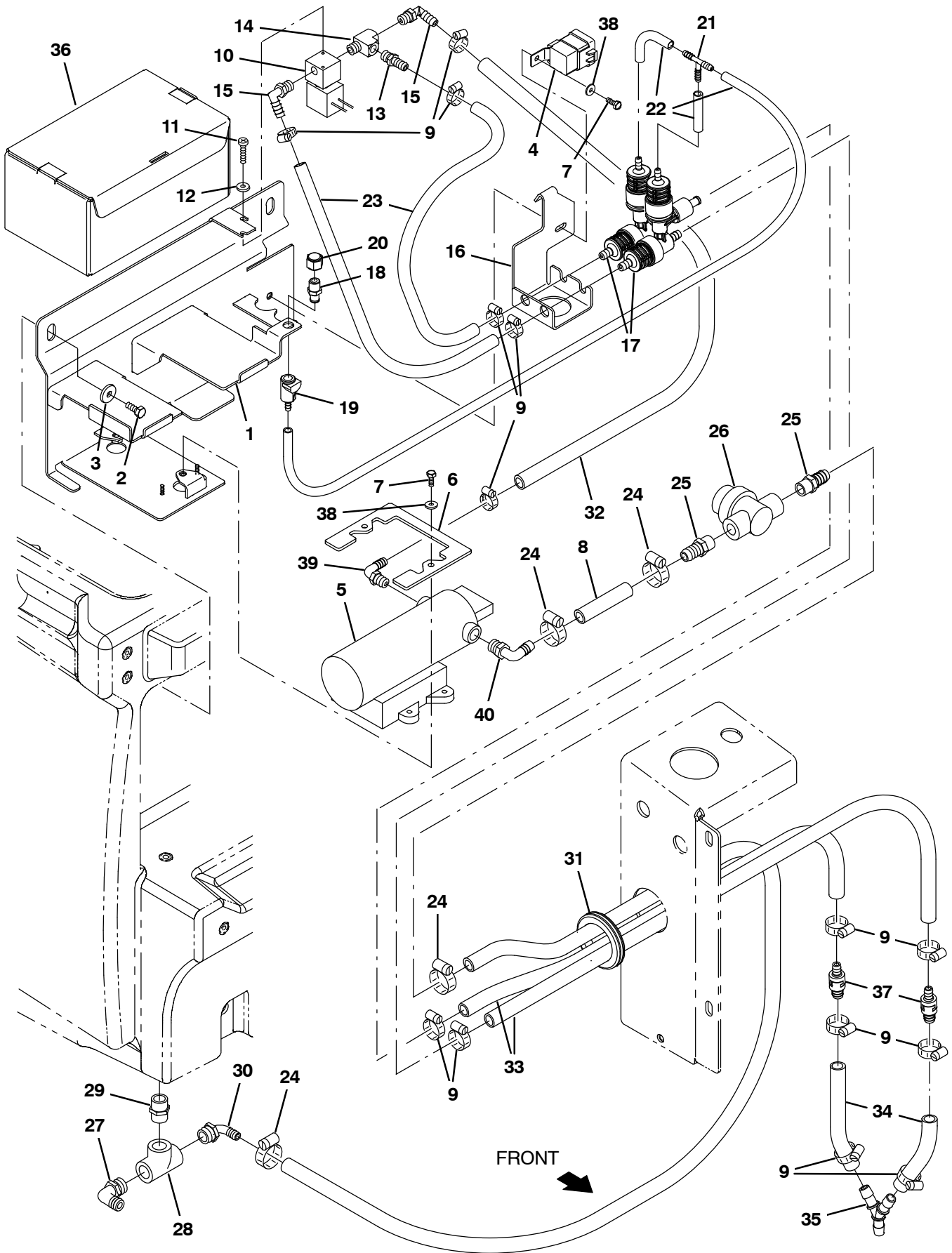
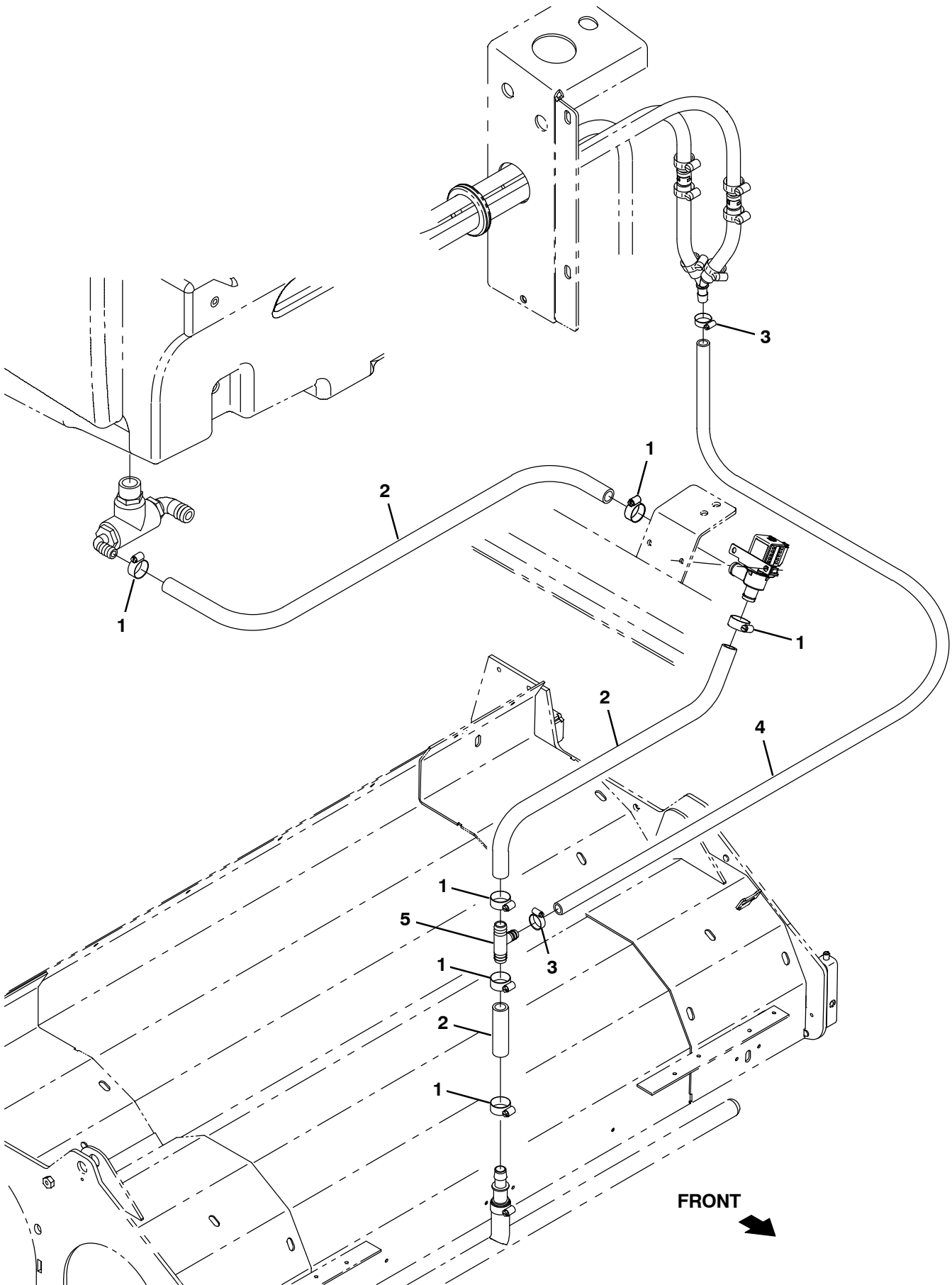




Fig. 8 – FaST Pumps and Detergent Group

Ref.	Part No.	Serial Number	Description	Qty.
1	1044342	(008000–	) Bracket Wldt, Mtg [FaST Gen 2+]	1
2	09740	(008000–	) Screw, Hex, M8 X 1.25 X 20, Ss	2
3	1017218	(008000–	) Washer, Flat, 0.32b 1.00d .12, Ss	2
4	56186	(008000–	) Relay, 12vdc, 040a, Spdt No	1
5	1036801	(008000–	) Pump, Soltn, 13.7vdc, 65psi [FaST li+]	1
6	1039357	(008000–	) Bracket, Retainer, Pump	1
7	15678	(008000–	) Screw, Hex, M6 X 1.00 X 16, Ss	3
8	1011403	(008000–	) Hose, Afmkt, Pvc, Brd, 0.50ld, 01Ft, Clr	1
9	43844	(008000–	) Clamp, Hose, Wormdrive, 0.25–0.62d, .31w	14
10	1018098	(008000–	) Valve, Water, Solenoid, 12vdc 6.0mm Pf04	1
11	09200	(008000–	) Screw, Pan, Phl, M5 X 0.80 X 12, Ss	2
12	01683	(008000–	) Washer, Flat, 10, Ss	2
13	150540	(008000–	) Fitting, Plstc, Str, Bm06/Pm04	1
14	150709	(008000–	) Fitting, Brs, Tee, Pf04/Pf04/Pm04, Run	1
15	57248	(008000–	) Fitting, Plstc, E90, Bm06/Pm04, Nyl	2
16	1044343	(008000–	) Bracket, Mtg [FaST Gen 2+]	1
17	9008868	(008000–	) FaST Kit, Injector [M20/T20/M30 FaST III] (See Breakdowns)	2
18	1005435	(008000–	) Fitting, Plstc, Pipe, Cap, Pf04	1
19	1002898	(008000–	) Fitting, Plstc, Str, Bm04, Cplg, Fem	1
20	1002899	(008000–	) Fitting, Plstc, Str, Pm04, Cplg, Mal	2
21	150713	(008000–	) Fitting, Plstc, Tee, Bm04/Bm04/Bm04	1
22	1014986	(008000–	) Hose, Afmkt, Pvc, Clr, 0.25id, 02ft	1
23	1006416	(008000–	) Hose, Afmkt, Pvc, Clr, 0.38id, 03ft	1
24	54333	(008000–	) Clamp, Hose, Wormdrive, 0.31–0.88d, .31w	8
25	150538	(008000–	) Fitting, Plstc, Str, Bm06/Pm06	2
26	1005302	(008000–	) Filter, In-Line, Pf06/Pf06 080mesh 02.6l	1
27	73468	(008000–	) Fitting, Plstc, E90, Bm10/Pm12	1
28	42133A	(008000–	) Fitting, Plstc, Tee, Pf12/Pf12/Pf12	1
29	24544	(008000–	) Fitting, Plstc, Str, Pm12/Pm12 1.60l	1
30	1005552	(008000–	) Fitting, Plstc, E90, Bm08/Pm12, Nyl	1
31	10632–19	(008000–	) Grommet, Rbr, 2.13id, F/2.5h, .12 Matl	1
32	1006400	(008000–	) Hose, Afmkt, Pvc, Brd, 0.38id, 03ft, Clr	1
33	1024237	(008000–	) Hose, Afmkt, Pvc, Wir, 0.50id, 03ft, Clr	1
34	1014929	(008000–	) Hose, Afmkt, Pvc, Clr, 0.38id, 01ft	1
35	1010668	(008000–	) Fitting, Plstc, Y, Bm08/Bm08/Bm08, Nyl	1
36	1017022	(008000–	) Detergent, Pkg, 2 Liter, Sgl [665]	1
37	1035794	(008000–	) Valve, Check, 0005psi Bm06/Bm08	2
38	01684	(008000–	) Washer, Flat, 0.27B 0.69D .05, Ss	3
39	1049254	(008000–	) Fitting, Nyl, Qdc, E90, Bm08/ Qm10	1
40	1049259	(008000–	) Fitting, NylY, Qdc, E90, Bm06/ Qm10	1

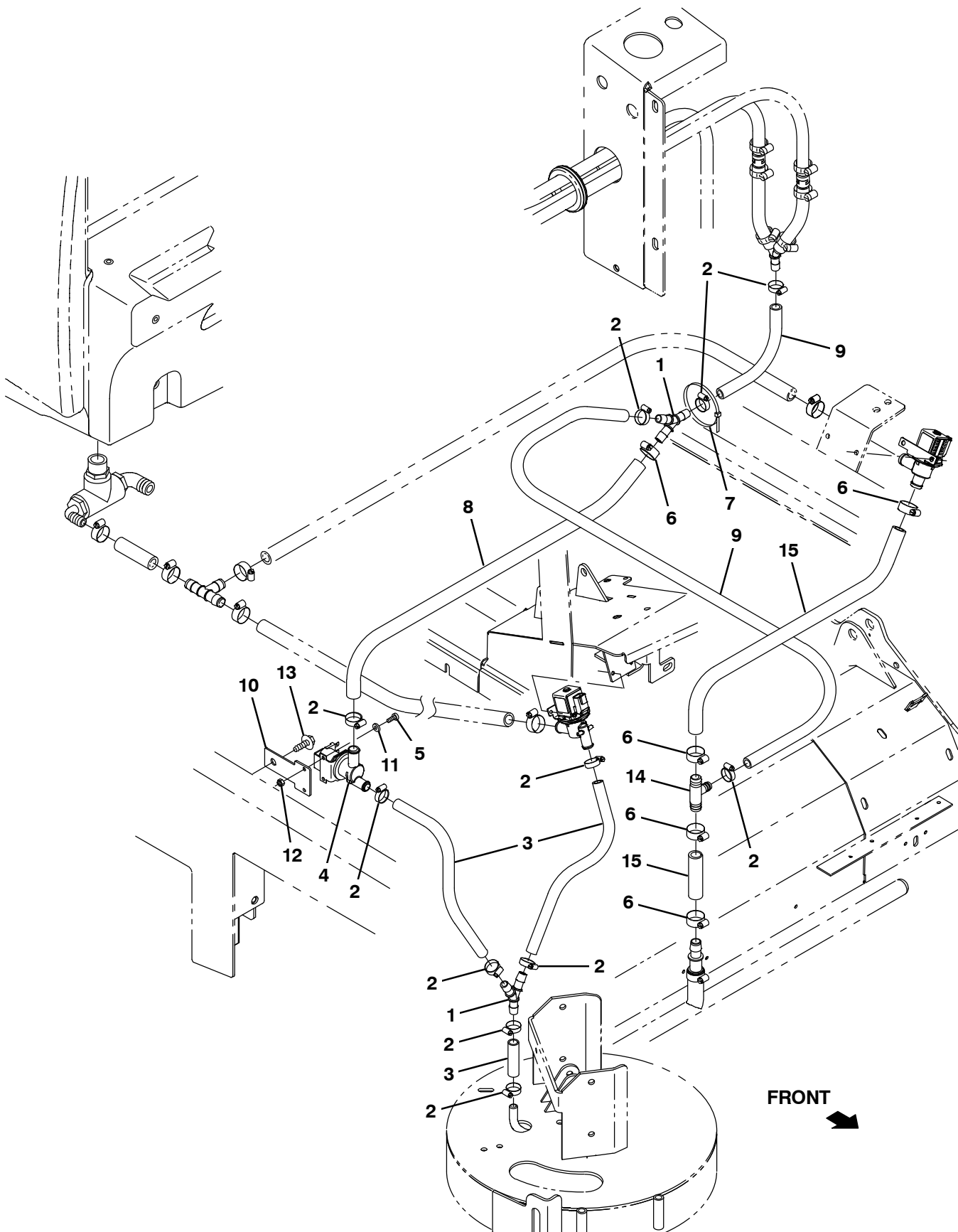
Fig. 9 – FaST Solution Supply Group



**Fig. 9 – FaST Solution Supply Group**

<b>Ref.</b>	<b>Part No.</b>	<b>Serial Number</b>	<b>Description</b>	<b>Qty.</b>
1	63810	(008000–	) Clamp, Hose, Wormdrive, 0.56–1.06d, .56w	6
2	1015032	(008000–	) Hose, Afmkt, Pvc, Brd, 0.62id, 08ft, Clr	1
3	54333	(008000–	) Clamp, Hose, Wormdrive, 0.31–0.88d, .31w	2
4	1011412	(008000–	) Hose, Afmkt, Pvc, Brd, 0.50id, 08ft, Clr	1
5	1015486	(008000–	) Fitting, Plstc, Tee, Bm08/Bm10/Bm10, Br	1

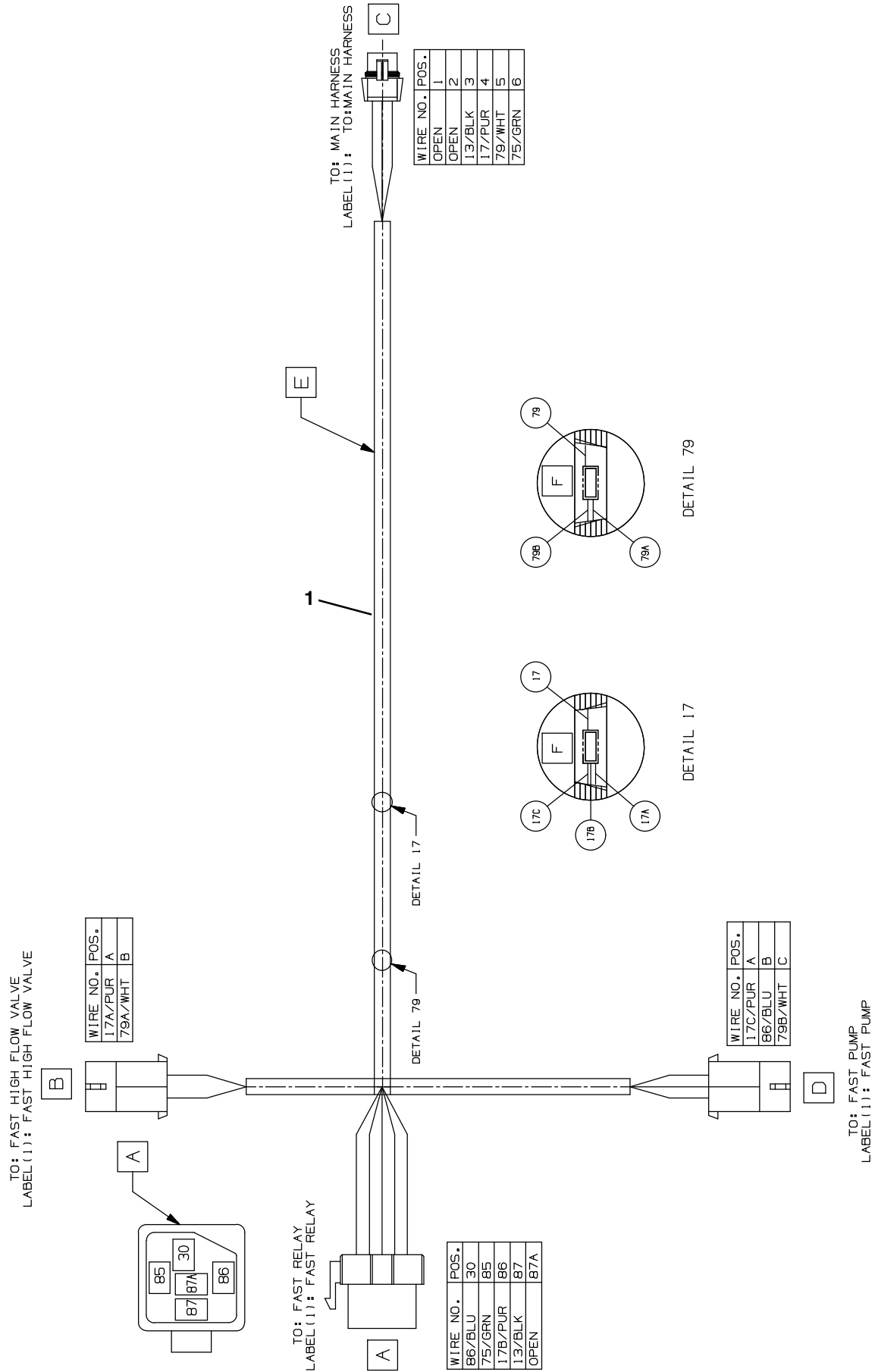
**Fig. 10 - FaST Solution Supply Group with Side Brush**



**Fig. 10 – FaST Solution Supply Group with Side Brush**

<b>Ref.</b>	<b>Part No.</b>	<b>Serial Number</b>	<b>Description</b>	<b>Qty.</b>
1	1010668	(008000–	) Fitting, Plstc, Y, Bm08/Bm08/Bm08, Nyl	2
2	54333	(008000–	) Clamp, Hose, Wormdrive, 0.31–0.88d, .31w	11
3	1015067	(008000–	) Hose, Afmkt, Pvc, Clr, 0.50id, 08ft	1
4	1037825	(008000–	) Valve, Solenoid, 12vdc, Water Flow	1
5	09200	(008000–	) Screw, Pan, Phl, M5 X 0.80 X 12, Ss	2
6	63810	(008000–	) Clamp, Hose, Wormdrive, 0.56–1.06d, .56w	5
7	763116	(008000–	) Tie, Cable, Nyl, 15.3l . W 4.5 Max D	1
8	31543	(008000–	) Hose, Heater, E90, 0.62id, 24.0 4.0	1
9	1011412	(008000–	) Hose, Afmkt, Pvc, Brd, 0.50id, 08ft, Clr	1
10	1030511	(008000–	) Plate, Mtg, Valve	1
11	01683	(008000–	) Washer, Flat, 10, Ss	2
12	09739	(008000–	) Nut, Hex, Lock, M5 X 0.80, NI, Ss	2
13	76099	(008000–	) Screw, Hex, M8 X 1.25 X 25, Fmg	1
14	1015486	(008000–	) Fitting, Plstc, Tee, Bm08/Bm10/Bm10, Br	1
15	1015026	(008000–	) Hose, Afmkt, Pvc, Brd, 0.62id, 03ft, Clr	1

Fig. 11 - FaST Wire Harness Group



**Fig. 11 – FaST Wire Harness Group**

<b>Ref.</b>	<b>Part No.</b>	<b>Serial Number</b>	<b>Description</b>	<b>Qty.</b>
1	1075138	(008000– )	Harness, Wire [FaST Gen 2, M20/T20]	1

Fig. 12 – ec-H2O Solution Pump Group

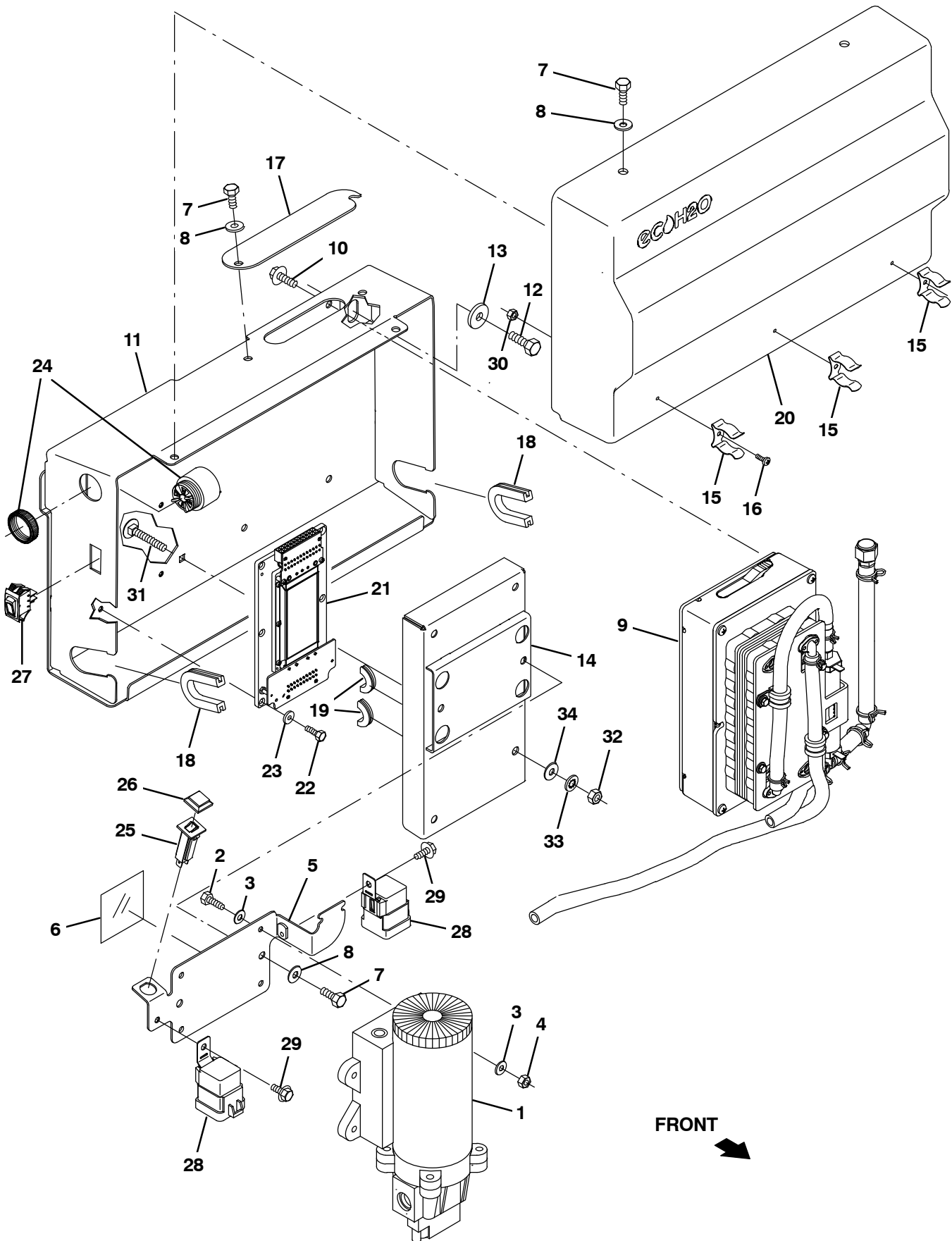




Fig. 12 – ec–H2O Solution Pump Group

Ref.	Part No.	Serial Number	Description	Qty.
1	1060624	(008000–	) Pump, Soltn, Ele, 13.7vdc,12/28psi	1
2	09252	(008000–	) Screw, Hex, M5 X 0.80 X 20, 8.8	4
3	19066	(008000–	) Washer, Flat, 10	8
4	06549	(008000–	) Nut, Hex, Lock, M5 X 0.80, NI	4
5	1060273	(008000–	) Plate, Mtg, Pump	1
6	1059677	(008000–	) Strip, Rbr, 0.06 03.54w 03.5l [Neo/60]	1
7	09744	(008000–	) Screw, Hex, M6 X 1.00 X 12, Ss	6
8	01684	(008000–	) Washer, Flat, 0.27b 0.69d .05, Ss	6
9	9007882	(008000–	) Module Kit, Replmt [Ec–H2O] (See Breakdowns)	1
10	1040467	(008000–	) Screw, Hex, M6 X 1.00 X 20, 9.8, Sems	4
11	1060292	(008000–	) Plate Wldt, Mtg	1
12	09740	(008000–	) Screw, Hex, M8 X 1.25 X 20, Ss	2
13	1017218	(008000–	) Washer, Flat, 0.32b 1.00d .12, Ss	2
14	1060185	(008000–	) Cover Wldt, Power Supply	1
15	1029057	(008000–	) Clip, Grip, Finger, 0.88–1.25d	3
16	12323	(008000–	) Screw, Pan, Phl, M4 X 0.70 X 20, Ss	3
17	1060291	(008000–	) Plate, Inspection	1
18	1020168	(008000–	) Molding, Afmkt, Trim, Pvc, .08 .11, 01Ft	1
19	10632–4	(008000–	) Grommet, Rbr, 0.62id, F/0.9h, .06 Matl	1
20	1060719	(008000–	) Cover, Trimmed	1
21	1247720	(008000–	) Circuitboard Assy [Dc To Dc Conv.]	1
22	09206	(008000–	) Screw, Hex, M4 X 0.70 X 12, 8.8	4
23	19065	(008000–	) Washer, Flat, 08	4
24	1052726	(008000–	) Alarm, 9–48vdc, 95 Db(A) [Ec–H2O]	1
25	1064183	(008000–	) Circuitbreaker, 02.0a, Resetable	1
26	1064191	(008000–	) Boot, Circuitbreaker	1
27	1044393	(008000–	) Switch, Rocker, Spst, Mom	1
28	56186	(008000–	) Relay, 12vdc, 040a, Spdt No	2
29	223198	(008000–	) Screw, Hex, M5 X 0.80 X 10, Fmg	2
30	33932	(008000–	) Nut, Hex, Lock, M4 X 0.70, NI, Ss	3
31	1062804	(008000–	) Bolt, Carriage, M06 X 1.00 X 40, 4.6	4
32	41359	(000000	) Nut, Hex, Std, M6 X 1.00, 8	4
33	32982	(000000	) Washer, Lock, Int, 0.25	4
34	32483	(000000	) Washer, Flat, 0.25, Sae	4

**Fig. 13 – ec-H2O Solution Pump Supply Group**

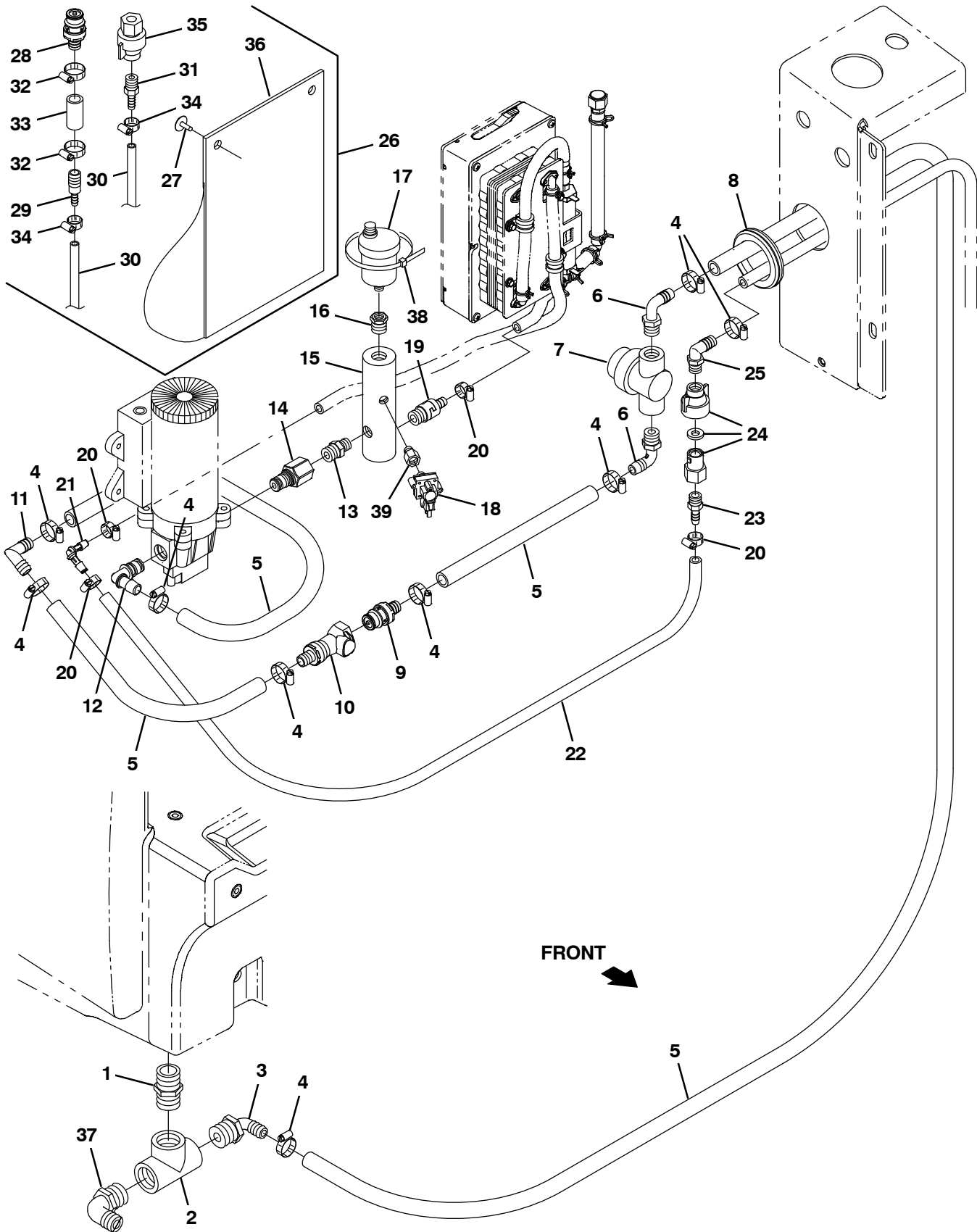
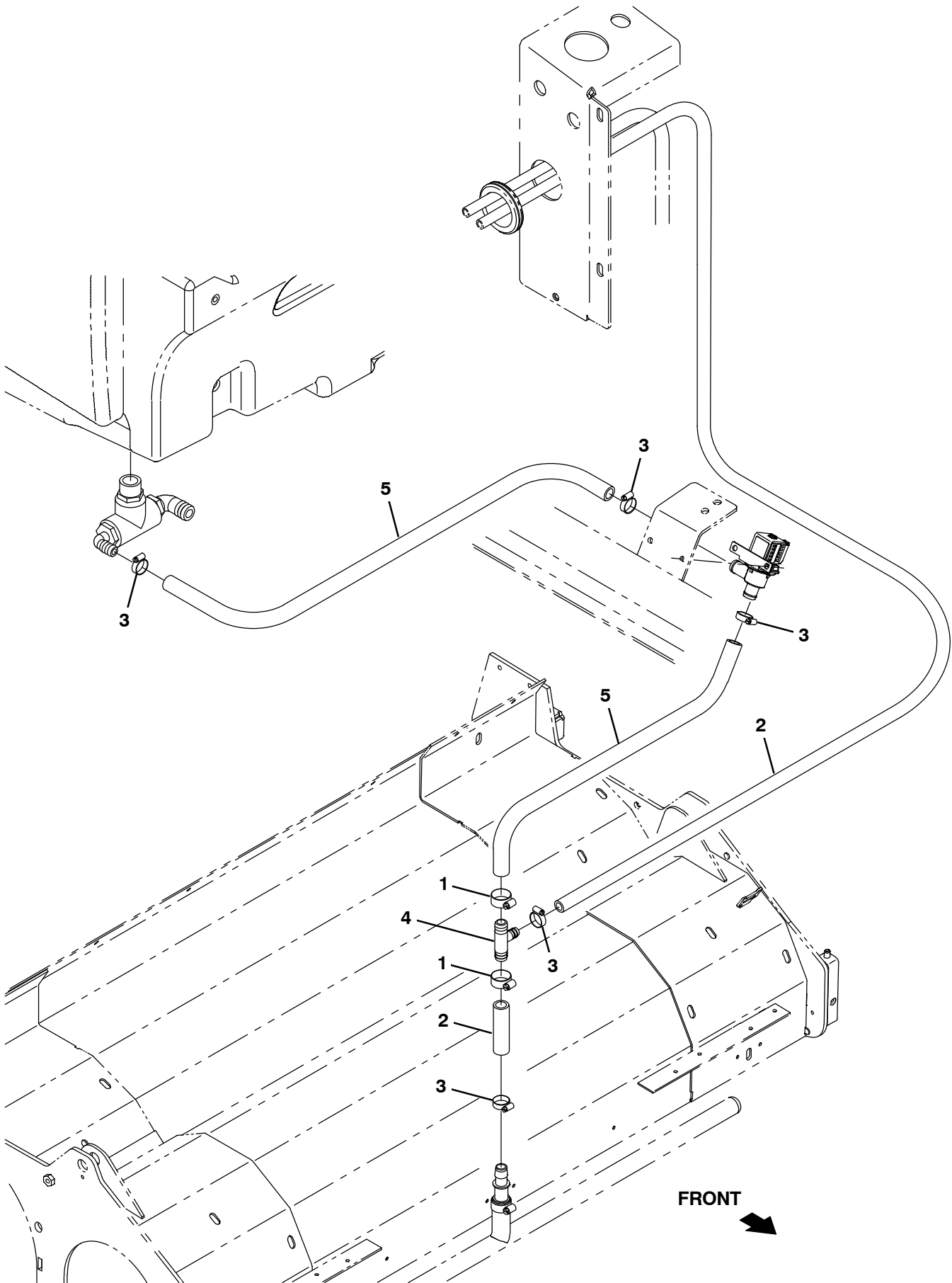


Fig. 13 – ec-H2O Solution Pump Supply Group

Ref.	Part No.	Serial Number	Description	Qty.
1	24544	(008000–	) Fitting, Plstc, Str, Pm12/Pm12 1.60l	1
2	42133A	(008000–	) Fitting, Plstc, Tee, Pf12/Pf12/Pf12	1
3	1005552	(008000–	) Fitting, Plstc, E90, Bm08/Pm12, Nyl	1
4	54333	(008000–	) Clamp, Hose, Wormdrive, 0.31–0.88d, .31w	9
5	1011837	(008000–	) Hose, Afmkt, Pvc, Brd, 0.50id, 12ft, Clr	1
6	64778	(008000–	) Fitting, Plstc, E90, Bm08/Pm06	2
7	1005302	(008000–	) Filter, In-Line, Pf06/Pf06 080mesh 02.6l	1
8	10632-19	(008000–	) Grommet, Rbr, 2.13id, F/2.5h, .12 Matl	3
9	1017415	(008000–	) Insert, Cplg, Qm, Bm08	1
10	1017413	(008000–	) Housing, Cplg, Qf / Pm08	1
11	63987-1	(008000–	) Fitting, Plstc, E90, Bm08/Bm08	1
12	1049254	(008000–	) Fitting, Nyl, Qdc, E90, Bm08/ Qm10	1
13	1059372	(008000–	) Fitting, Plstc, Str, Pf06/Qm10, Pvc	1
14	1005219	(008000–	) Fitting, Plstc, Str, Pm04/Pm06, Nyl	1
15	1060596	(008000–	) Manifold, Water	1
16	24698	(008000–	) Fitting, Brs, Str, Pf02/Pm06	1
17	1017386	(008000–	) Valve, Vent, Air, Float Type	1
18	1058935	(008000–	) Switch, Press, 50 Psi, Pm02	1
19	1060693	(008000–	) Valve, Check, 0005psi Pm04/Bm06	1
20	43844	(008000–	) Clamp, Hose, Wormdrive, 0.25–0.62d, .31w	4
21	1059391	(008000–	) Fitting, Plstc, E90, Bm05/Bm05, Nyl	1
22	1052336	(008000–	) Hose, Afmkt, PVC, Brd, 0.31id, 03Ft, Clr	2
23	1052017	(008000–	) Fitting, Plstc, Str, Bm05/Pm04	1
24	1071280	(008000–	) Fitting Assy, Qdc, Pf04	1
25	65581	(008000–	) Fitting, Plstc, E90, Bm08/Pm04	1
▽	26	9014281	(008000–) ec-H2O Kit, Flush, Replmt[M20, M30&T20]	1
▲	27	72968	(008000–) Rivet, Plstc, .250d X 0.90	2
▲	28	1017415	(008000–) Insert, Cplg, Qm, Bm08	1
▲	29	630164	(008000–) Fitting, Plstc, Str, Bm04/Bm08	1
▲	30	1006415	(008000–) Hose, Afmkt, Pvc, Clr, 0.25id, 03ft	2
▲	31	50901	(008000–) Fitting, Plstc, Str, Bm04/Pm04	1
▲	32	54333	(008000–) Clamp, Hose, Wormdrive, 0.31–0.88d, .31w	2
▲	33	1011403	(008000–) Hose, Afmkt, Pvc, Brd, 0.50id, 01ft, Clr	1
▲	34	43844	(008000–) Clamp, Hose, Wormdrive, 0.25–0.62d, .31w	2
▲	35	1071280	(008000–) Fitting Assy, Qdc, Pf04	1
▲	36	48790	(008000–) Pouch	1
	37	73468	(008000–) Fitting, Plstc, E90, Bm10/Pm12	1
	38	49266	(008000–) Tie, Cable, Nyl, 07.3l .19w 1.8 Max D	1
	39	1062403	(008000–) Fitting, Brs, Snubber, Pm02/Pf02	1

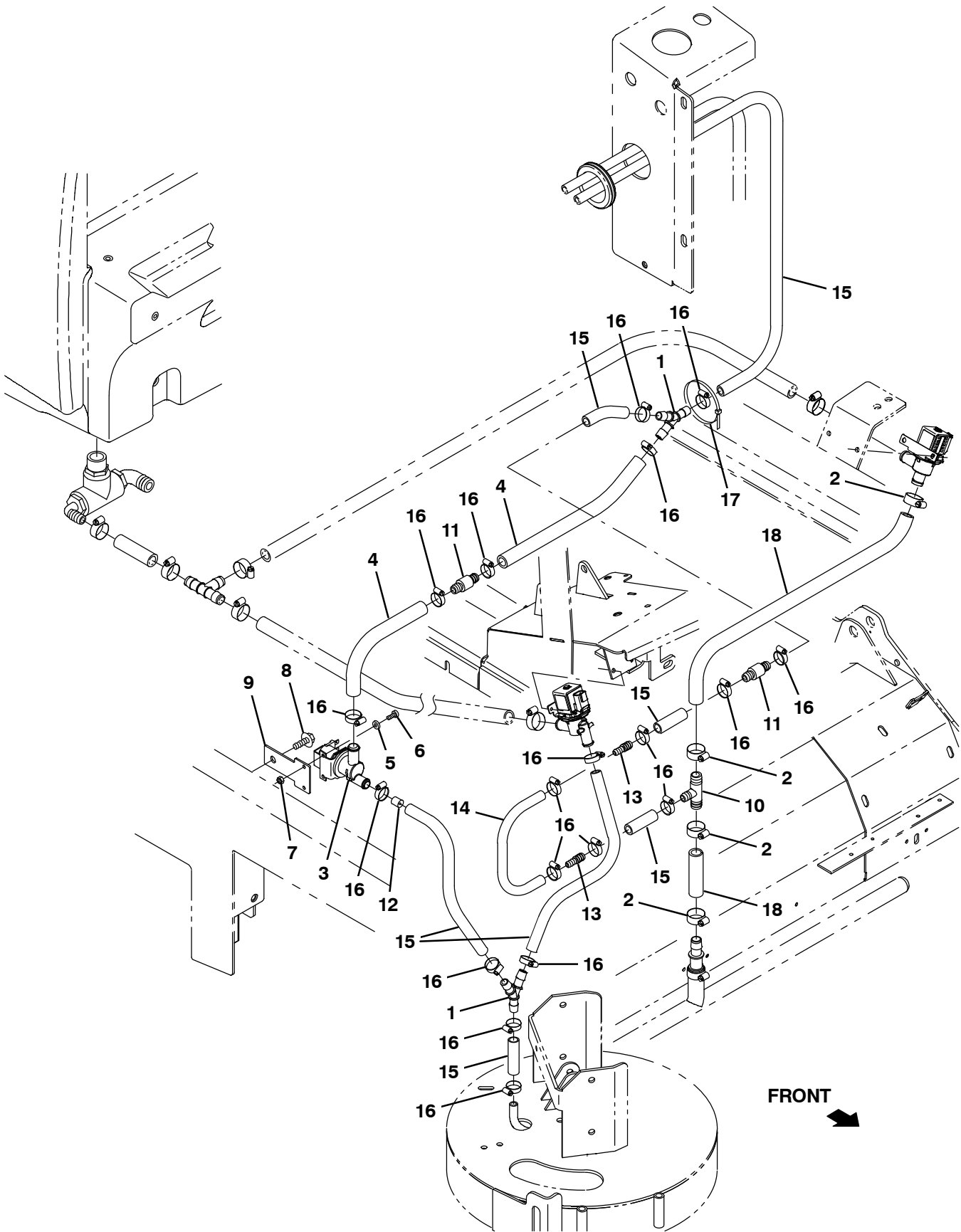
Fig. 14 - ec-H2O Solution Supply Group



**Fig. 14 – ec–H2O Solution Supply Group**

<b>Ref.</b>	<b>Part No.</b>	<b>Serial Number</b>	<b>Description</b>	<b>Qty.</b>
1	63810	(008000–	) Clamp, Hose, Wormdrive, 0.56–1.06d, .56w	2
2	1011837	(008000–	) Hose, Afmkt, Pvc, Brd, 0.50id, 12ft, Clr	1
3	54333	(008000–	) Clamp, Hose, Wormdrive, 0.31–0.88d, .31w	5
4	1015486	(008000–	) Fitting, Plstc, Tee, Bm08/Bm10/Bm10, Br	1
5	1015032	(008000–	) Hose, Afmkt, Pvc, Brd, 0.62id, 08ft, Clr	1

Fig. 15 – ec-H2O Solution Supply Group with Side Brush



**Fig. 15 – ec-H2O Solution Supply Group with Side Brush**

<b>Ref.</b>	<b>Part No.</b>	<b>Serial Number</b>	<b>Description</b>	<b>Qty.</b>
1	1010668	(008000–	) Fitting, Plstc, Y, Bm08/Bm08/Bm08, Nyl	1
2	63810	(008000–	) Clamp, Hose, Wormdrive, 0.56–1.06d, .56w	4
3	1037825	(008000–	) Valve Assy, Water, Solenoid, 12vdc	1
4	31543	(008000–	) Hose, Heater, E90, 0.62id, 24.0 4.0	1
5	01683	(008000–	) Washer, Flat, 10, Ss	2
6	24196	(008000–	) Screw, Pan, Phl, M5 X 0.80 X 20, Ss	2
7	09739	(008000–	) Nut, Hex, Lock, M5 X 0.80, NI, Ss	2
8	76099	(008000–	) Screw, Hex, M8 X 1.25 X 25, Fmg	1
9	1030511	(008000–	) Plate, Mtg, Valve	1
10	1015486	(008000–	) Fitting, Plstc, Tee, Bm08/Bm10/Bm10, Br	1
11	1010614	(008000–	) Valve, Check, 2gpm .5psi Bm08/Bm08	2
12	1061045	(008000–	) Plug, Restrictor	1
13	222375	(008000–	) Fitting, Plstc, Str, Bm06/Bm08	2
14	1014974	(008000–	) Hose, Afmkt, Pvc, Brd, 0.38id, 02ft, Clr	1
15	1011412	(008000–	) Hose, Afmkt, Pvc, Brd, 0.50id, 08ft, Clr	1
16	54333	(008000–	) Clamp, Hose, Wormdrive, 0.31–0.88d, .31w	18
17	763116	(008000–	) Tie, Cable, Nyl, 15.3l . W 4.5 Max D	1
18	1015026	(008000–	) Hose, Afmkt, Pvc, Brd, 0.62id, 03ft, Clr	1

Fig. 16 – ec-H20 Wire Harnesses Group

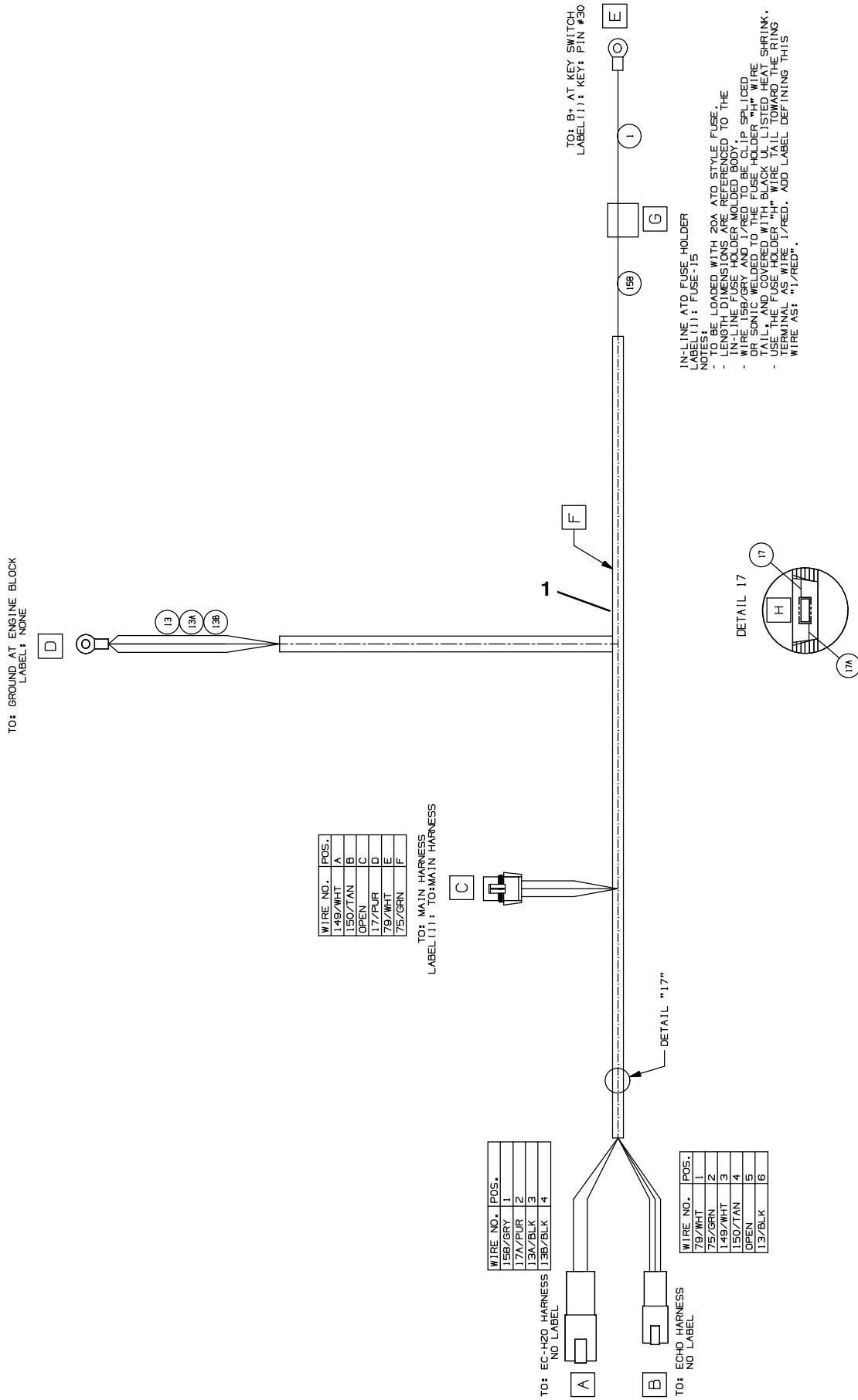
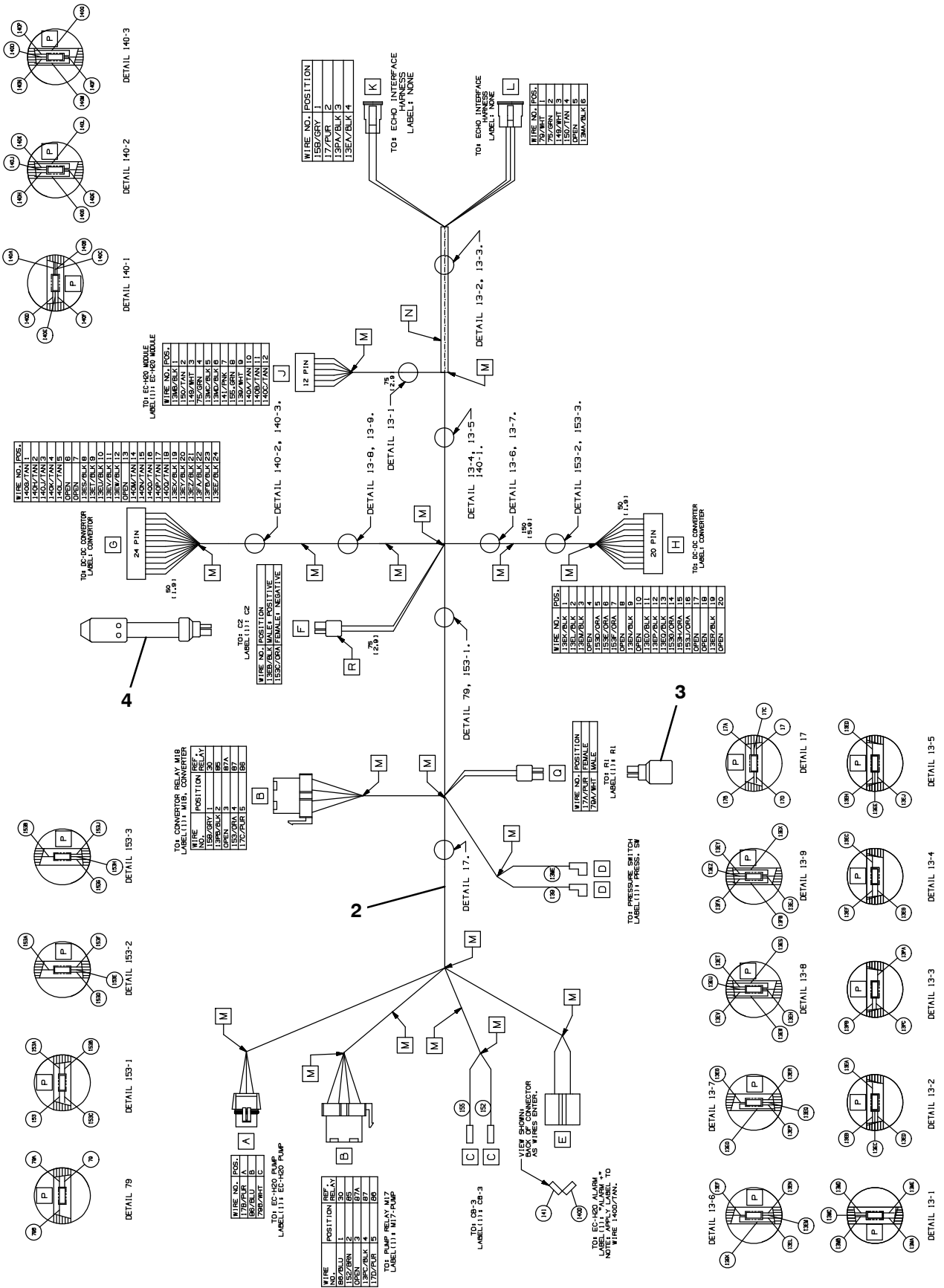




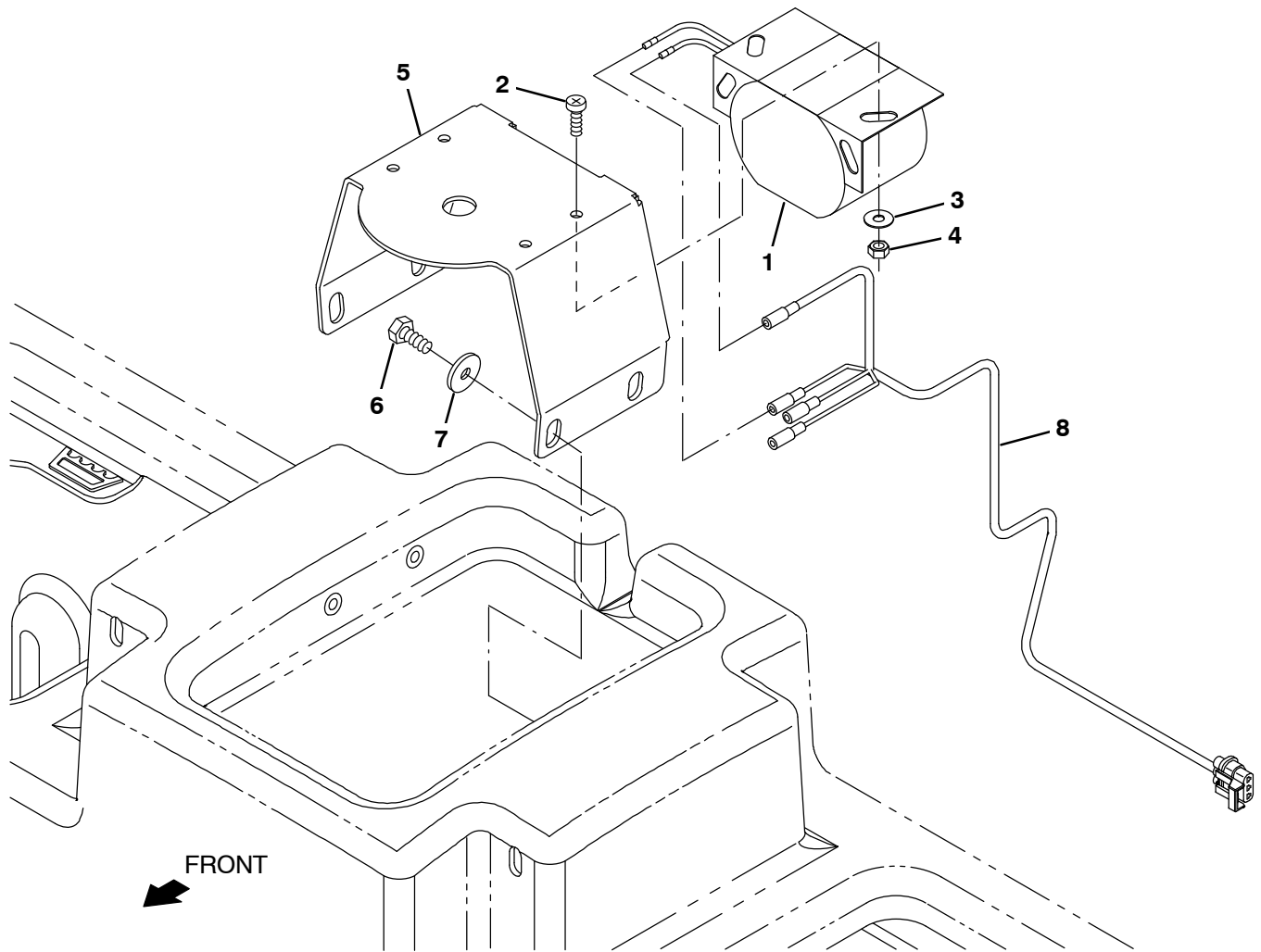
Fig. 16 – ec-H2O Wire Harness Group



**Fig. 16 – ec-H20 Wire Harnesses Group**

<b>Ref.</b>	<b>Part No.</b>	<b>Serial Number</b>	<b>Description</b>	<b>Qty.</b>
1	1075140	(008000–	) Harness, Ele [Ech2o, Interface]	1
2	1060871	(008000–	) Harness, Wire [Ec-H2o]	1
3	1060880	(008000–	) Resistor, Ele, Plug [430 , 2w]	1
4	1060881	(008000–	) Capacitor, Plug [4700uf, 25v]	1

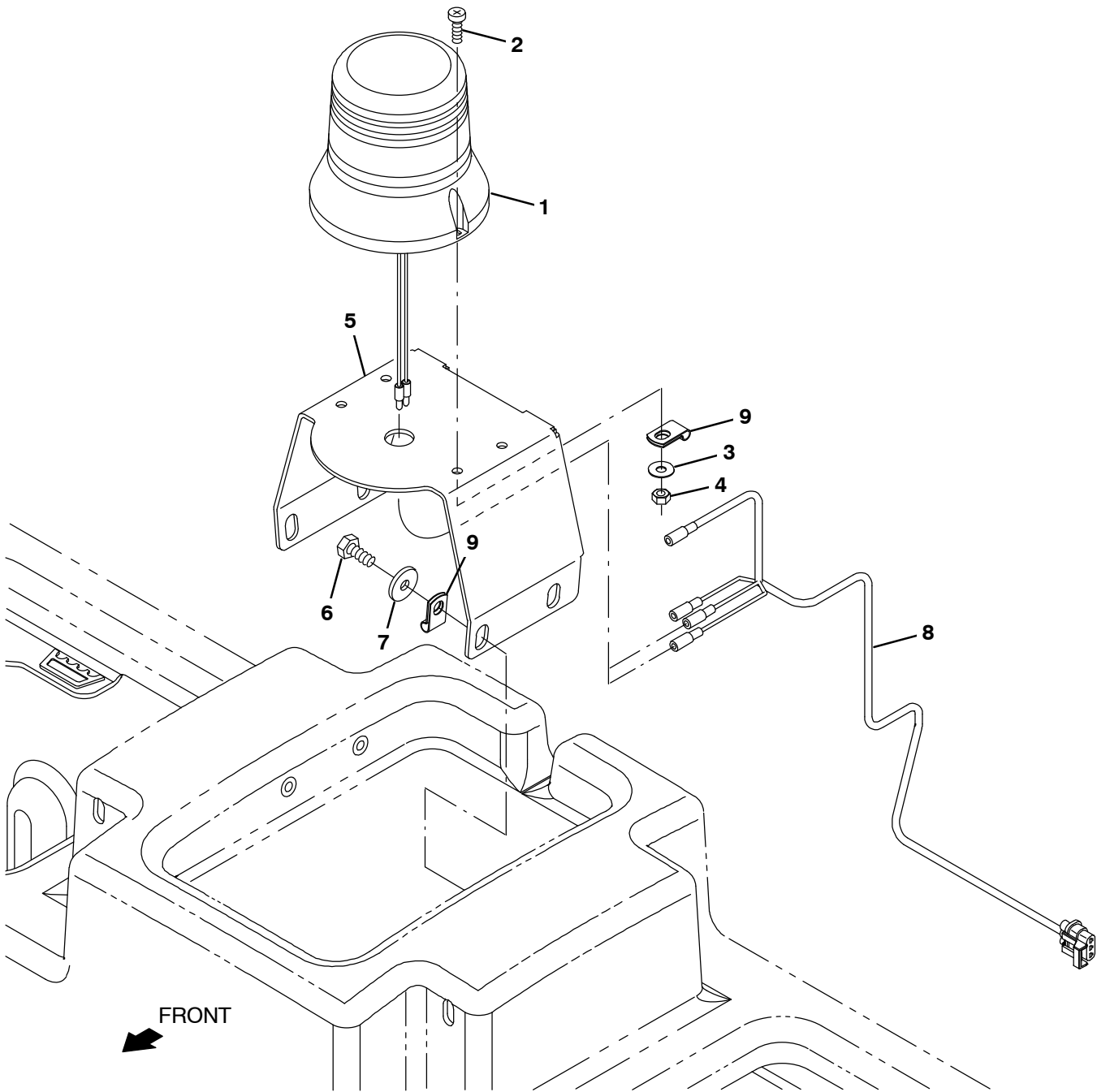
Fig. 17 – Backup Alarm Kit



354473

Ref.	Part No.	Serial Number	Description	Qty.
▽	9001321	(008000–	) Alarm Kit, Backup, Ci [M20 And T20]	1
▲	1 9007131	(008000–	) Alarm Assy, Backup, 12/48Vdc	1
▲	2 24196	(008000–	) Screw, Pan, Phl, M5 X 0.80 X 20, Ss	2
▲	3 19066	(008000–	) Washer, Flat, 10	2
▲	4 09739	(008000–	) Nut, Hex, Lock, M5 X 0.80, NI, Ss	2
▲	5 1019445	(008000–	) Bracket, Sppt, Strobe Light	1
▲	6 09740	(008000–	) Screw, Hex, M8 X 1.25 X 20, Ss	4
▲	7 1017218	(008000–	) Washer, Flat, 0.32b 1.00d .12, Ss	4
▲	8 1019971	(008000–	) Harness, Warning / Backup [M20 & T20]	1

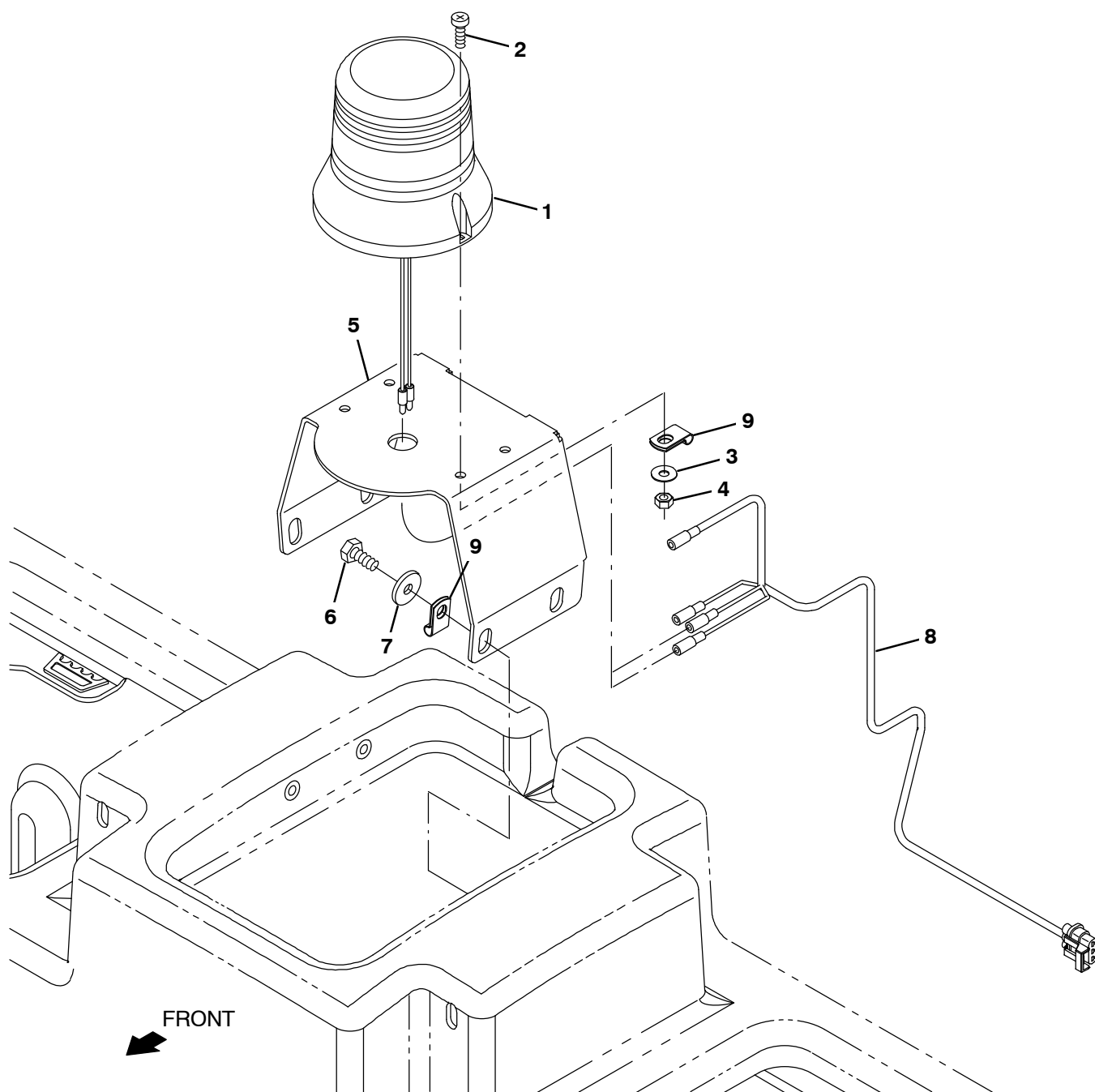
**Fig. 18 – Light Kit, Flashing**



354475

Ref.	Part No.	Serial Number	Description	Qty.
▽	9001327	(008000– )	Light Kit, Flsh, Ci [M20 And T20]	1
▲	1 1075283	(008000– )	Light, Strobe, Amb, 12–48vdc [Led]	1
▲	383820	(008000– )	Terminal, Bullet, Mal, .156d, 22–18ga	2
▲	2 24196	(008000– )	Screw, Pan, Phl, M5 X 0.80 X 20, Ss	2
▲	3 19066	(008000– )	Washer, Flat, 10	2
▲	4 09739	(008000– )	Nut, Hex, Lock, M5 X 0.80, NI, Ss	2
▲	5 1019445	(008000– )	Bracket, Sppt, Strobe Light	1
▲	6 09740	(008000– )	Screw, Hex, M8 X 1.25 X 20, Ss	4
▲	7 1017218	(008000– )	Washer, Flat, 0.32b 1.00d .12, Ss	4
▲	8 1019971	(008000– )	Harness, Warning / Backup [M20 & T20]	1
▲	9 46236	(008000– )	Clamp, Cable, Stl, 0.25D X 0.56W, 1Hole	2

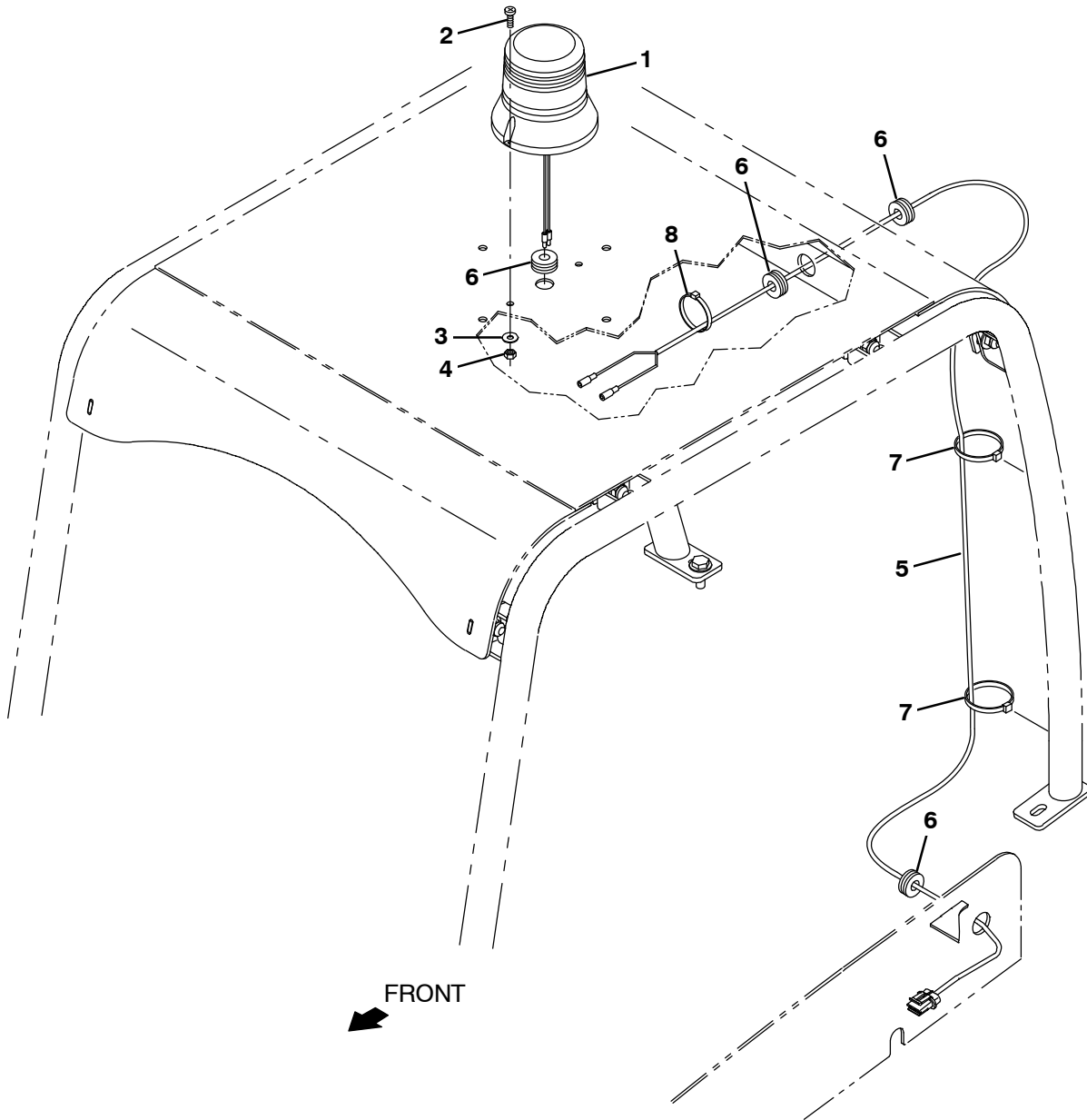
Fig. 19 - Light Kit, Strobe



354475

Ref.	Part No.	Serial Number	Description	Qty.
▽	9001331	(008000-	) Light Kit, Strobe, Ci [M20 And T20]	1
▲	1 1075283	(008000-	) Light, Strobe, Amb, 12-48vdc [Led]	1
▲	383820	(008000-	) Terminal, Bullet, Mal, .156d, 22-18ga	2
▲	2 24196	(008000-	) Screw, Pan, Phl, M5 X 0.80 X 20, Ss	2
▲	3 19066	(008000-	) Washer, Flat, 10	2
▲	4 09739	(008000-	) Nut, Hex, Lock, M5 X 0.80, NI, Ss	2
▲	5 1019445	(008000-	) Bracket, Sppt, Strobel Light	1
▲	6 09740	(008000-	) Screw, Hex, M8 X 1.25 X 20, Ss	4
▲	7 1017218	(008000-	) Washer, Flat, 0.32b 1.00d .12, Ss	4
▲	8 1019971	(008000-	) Harness, Warning / Backup [M20 & T20]	1
▲	9 46236	(008000-	) Clamp, Cable, Stl, 0.25D X 0.56W, 1Hole	2

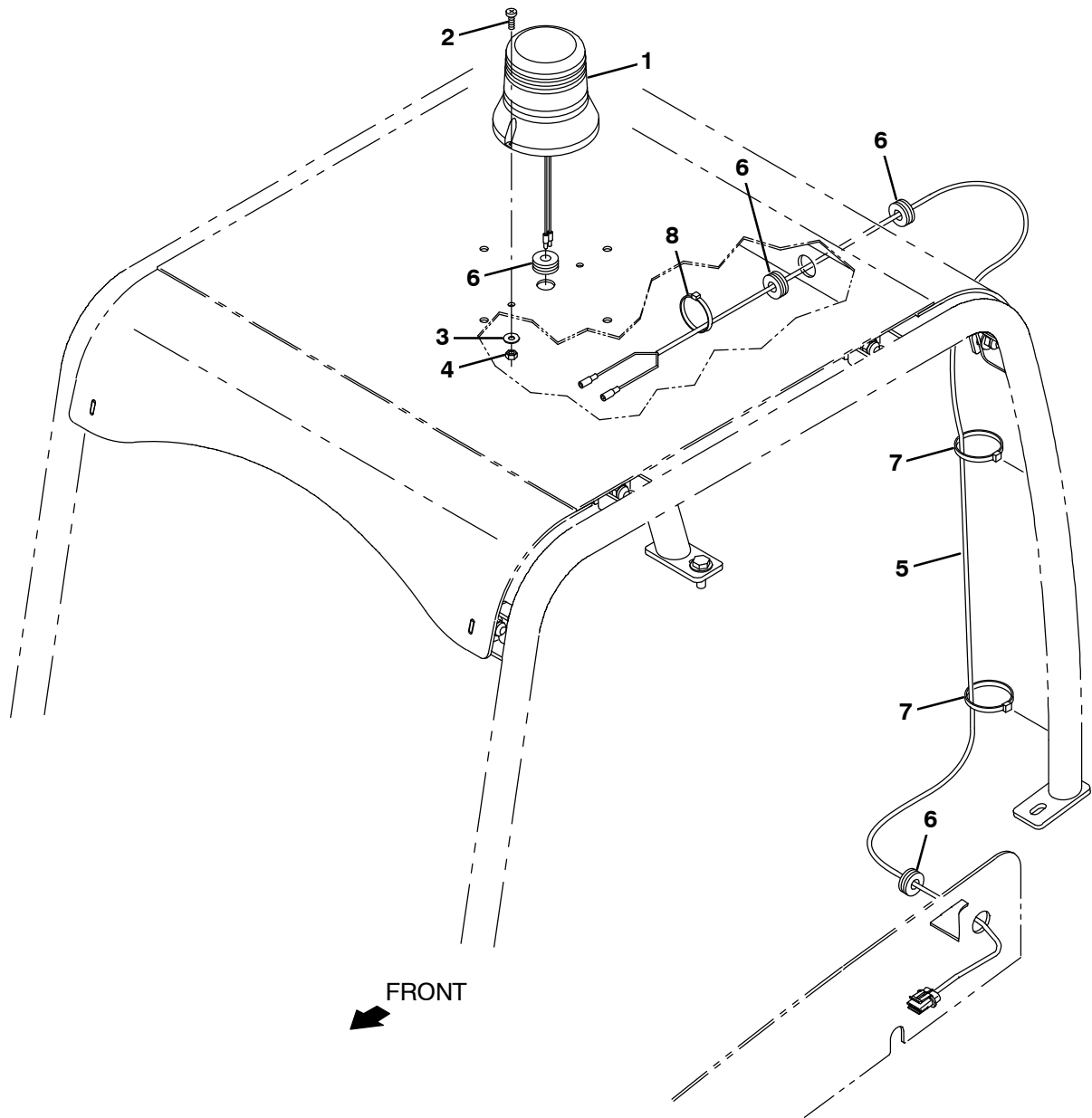
**Fig. 20 – Light Kit, Flashing Overhead Guard**



354477

Ref.	Part No.	Serial Number	Description	Qty.
▽	9001718	(008000–	) Light Kit, Flsh, W/Ohg, Ci[M20 And T20]	1
▲	1 1075283	(008000–	) Light, Strobe, Amb, 12–48vdc [Led]	1
▲	383820	(008000–	) Terminal, Bullet, Mal, .156d, 22–18ga	2
▲	2 24196	(008000–	) Screw, Pan, Phl, M5 X 0.80 X 20, Ss	2
▲	3 19066	(008000–	) Washer, Flat, 10	2
▲	4 09739	(008000–	) Nut, Hex, Lock, M5 X 0.80, NI, Ss	2
▲	5 1019647	(008000–	) Harness, Warning / Ohg [M20]	1
▲	6 10632–17	(008000–	) Grommet, Rbr, 0.50id, F/0.8h, .12 Matl	4
▲	7 763115	(008000–	) Tie, Cable, 6.0l, 1.25d Max	4
▲	8 49266	(008000–	) Tie, Cable, Nyl, 07.3l .19w 1.8 Max D	2

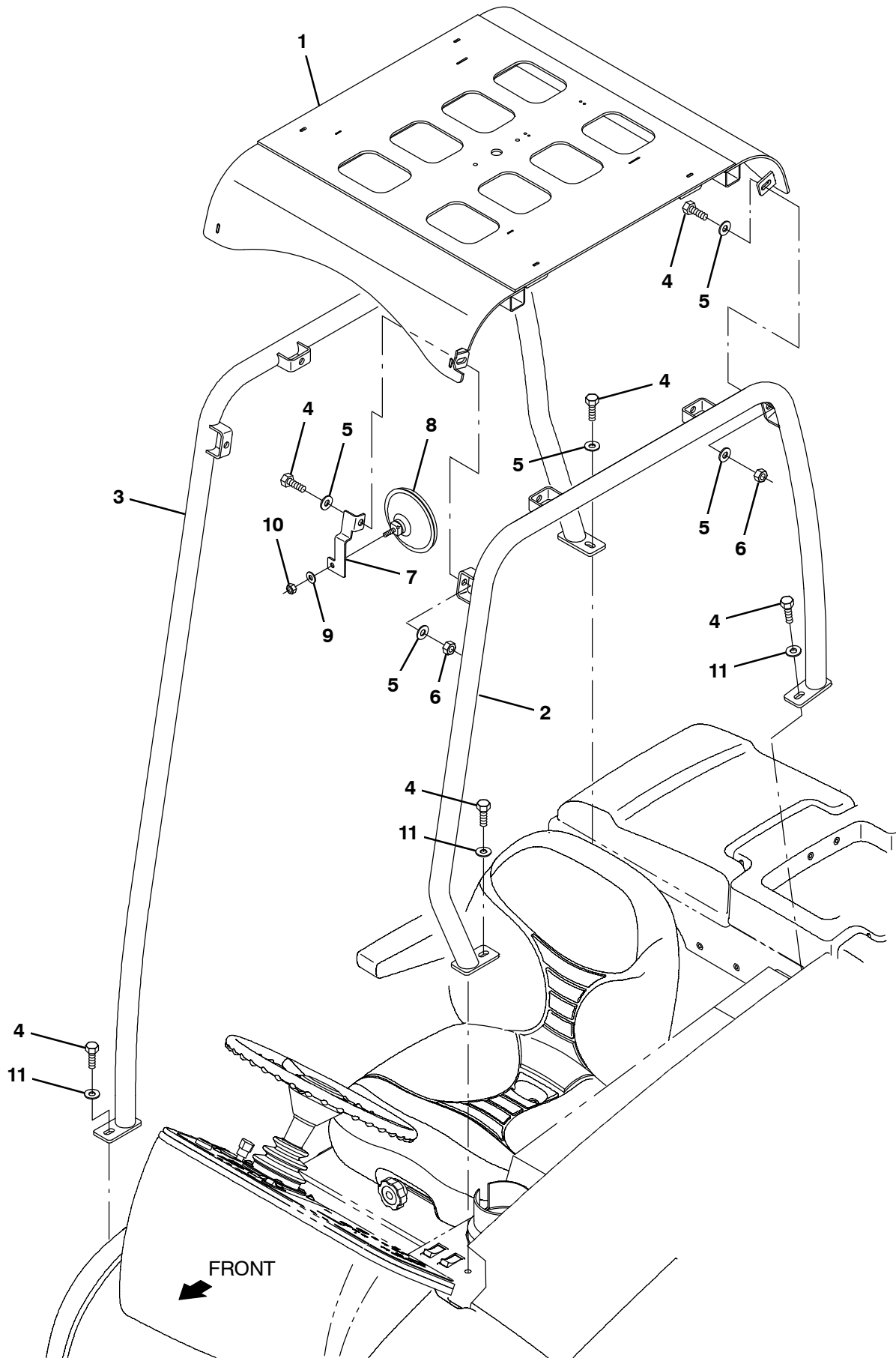
Fig. 21 – Light Kit, Strobe Overhead Guard



354477

Ref.	Part No.	Serial Number	Description	Qty.
▽	9001717	(008000–	) Light Kit, Strobe, W/Ohg, Ci [M20 And T20]	1
▲	1 1075283	(008000–	) Light, Strobe, Amb, 12–48vdc [Led]	1
▲	383820	(008000–	) Terminal, Bullet, Mal, .156d, 22–18ga	2
▲	2 24196	(008000–	) Screw, Pan, Phl, M5 X 0.80 X 20, Ss	2
▲	3 19066	(008000–	) Washer, Flat, 10	2
▲	4 09739	(008000–	) Nut, Hex, Lock, M5 X 0.80, NI, Ss	2
▲	5 1019647	(008000–	) Harness, Warning / Ohg [M20]	1
▲	6 10632–17	(008000–	) Grommet, Rbr, 0.50id, F/0.8h, .12 Matl	4
▲	7 763115	(008000–	) Tie, Cable, 6.0l, 1.25d Max	4
▲	8 49266	(008000–	) Tie, Cable, Nyl, 07.3l .19w 1.8 Max D	2

Fig. 22 – Overhead Guard Kit





**Fig. 22 – Overhead Guard Kit**

	<b>Ref.</b>	<b>Part No.</b>	<b>Serial Number</b>	<b>Description</b>	<b>Qty.</b>
▽		9001314	(008000–	) Ohg Kit, Ci [M20 And T20]	1
▲	1	1022276	(008000–	) Guard Wldt, Top, Ohg	1
▲	2	1069241	(008000–	) Tube Wldt, Leg, Ohg, Lh, Pntd	1
▲	3	1069253	(008000–	) Tube Wldt, Leg, Ohg, Rh, Pntd	1
▲	4	03192	(008000–	) Screw, Hex, M10 X 1.5 X 30, 8.8	12
▲	5	32492	(008000–	) Washer, Flat, 0.38 Std	17
▲	6	41430	(008000–	) Nut, Hex, Lock, M10 X 1.5, NI	8
▲	7	1023879	(008000–	) Bracket, Mtg, Mirror, Rearview	1
▲	8	1050295	(008000–	) Mirror, Convex, 0.50D	1
▲	9	32491	(008000–	) Washer, Flat, 0.31, Std	1
▲	10	19313	(008000–	) Nut, Hex, Std, .31–18	1
▲	11	1014563	(008000–	) Washer, Flat, 0.40b 1.12d .12, Ss	3

Fig. 23 - Telemetry Group

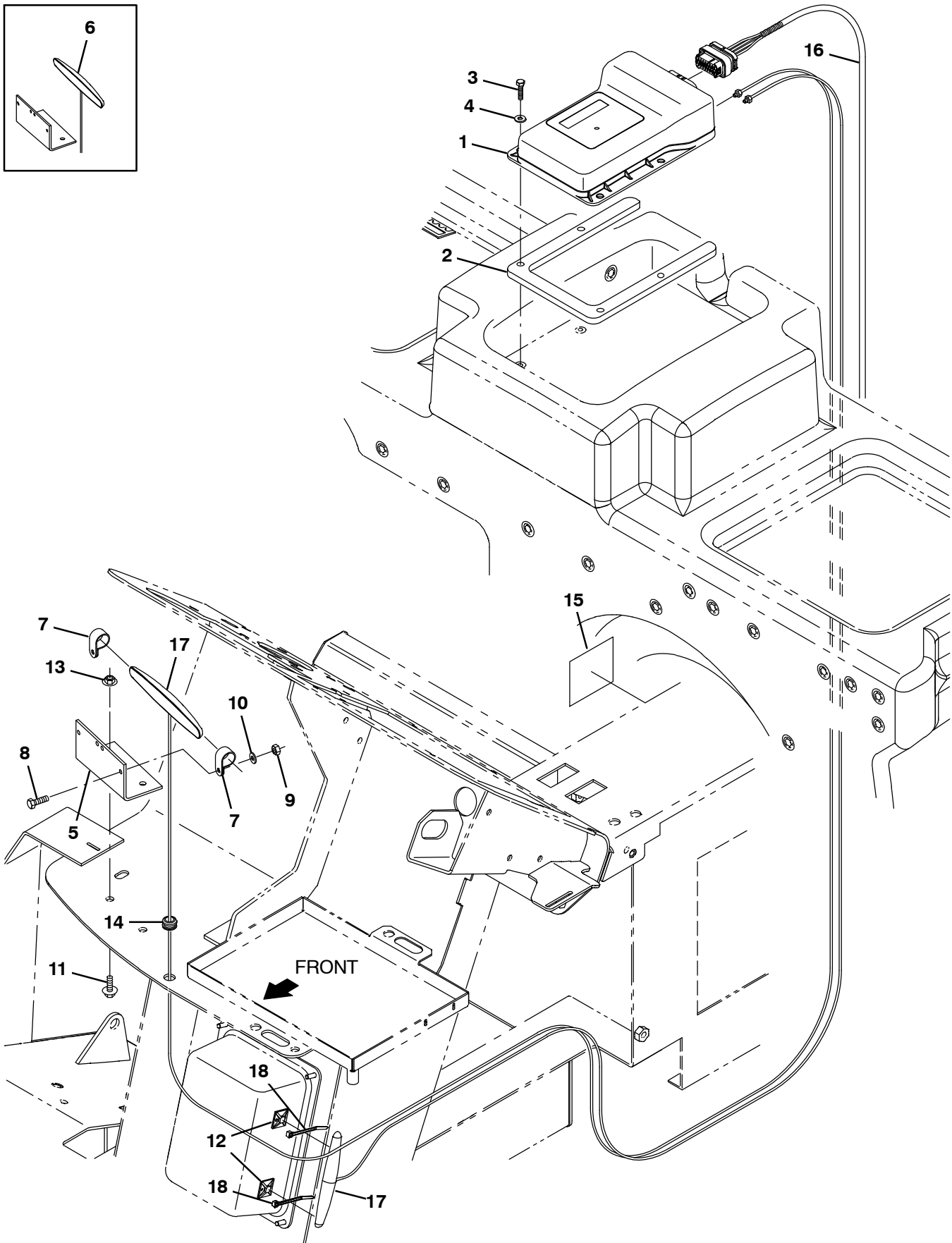
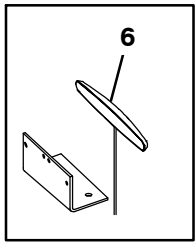
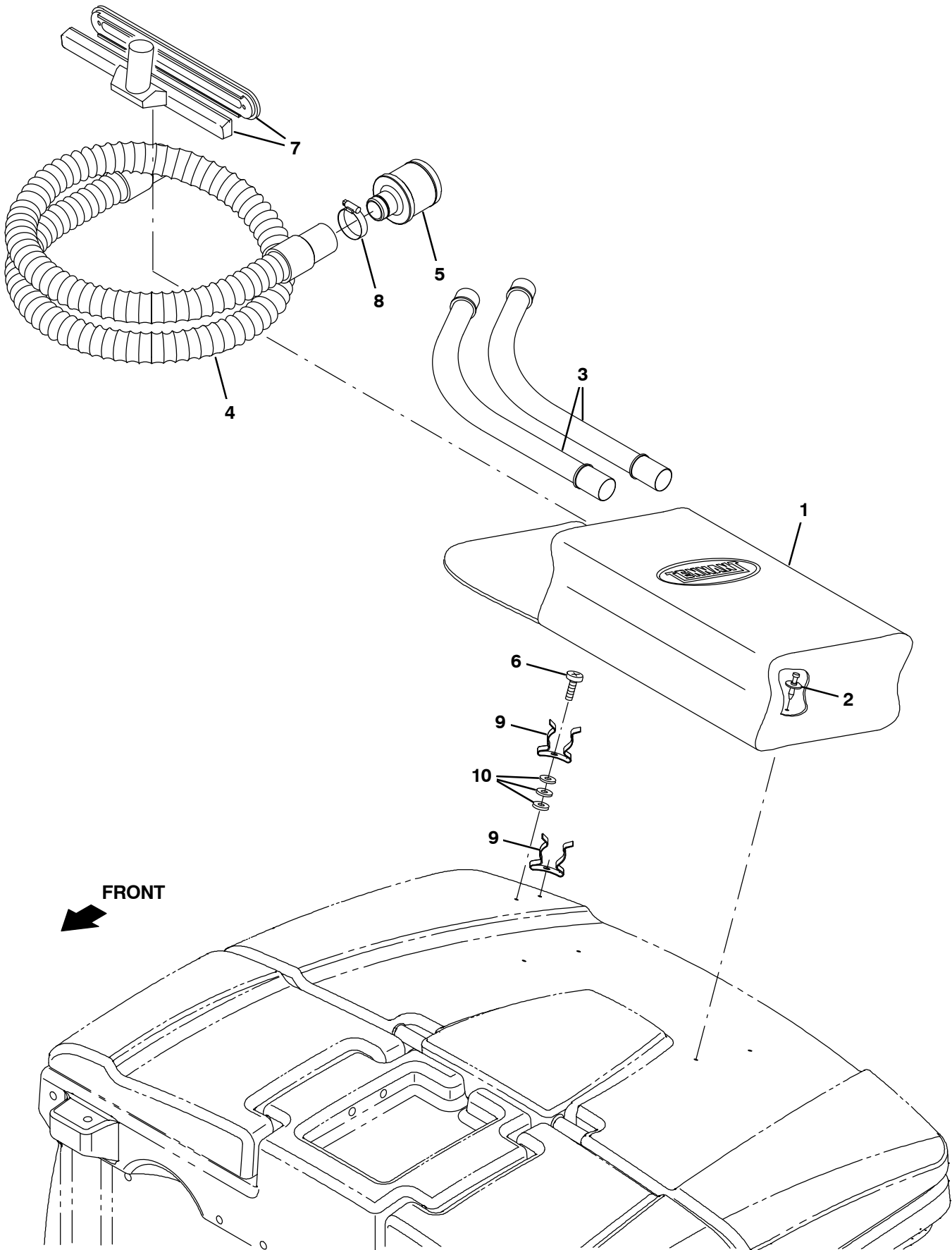


Fig. 23 - Telemetry Group

Ref.	Part No.	Serial Number	Description	Qty.
1	9010085	(008000-	) Control Box Assy Kit, Replmt, Telem [USA]	1
1	9010086	(008000-	) Control Box Assy Kit, Replmt, Telem [CAN]	1
2	1071062	(008000-	) Bracket, Spacer, Controlbox	1
3	09252	(008000-	) Screw,Hex, M5 X 0.80 X 29, 8.8	4
4	01683	(008000-	) Washer, Flat, 10, Ss	4
5	1070402	(008000-	) Angle, mtg, Antenna, Telem	1
6	1070659	(008000-011777	) Antenna, Telem, 70 In [Gprs]	1
7	140916	(008000-	) Clamp, Cable, Nyl, 0.62D, Nat	2
8	09244	(008000-	) Screw, Hex, M5 X 0.80 X 16, 8.8	2
9	06549	(008000-	) Nut, Hex, Lock, M5 X 0.80, NI	2
10	19066	(008000-	) Washer, Flat, 0.25b 0.56d .05, PI, 10	2
11	1040467	(008000-	) Screw, Hex, H6 X 1.00 X 20, 9.8, Sems	2
12	55248	(011778-	) Mount, Cable Tie	2
13	07790	(008000-	) Nut, Hex, FIng, M6 X 1.00	2
14	10632-12	(008000-	) Grommet, Rbr, 0.38id, F/0.5H, .12 Matl	1
15	1069580	(008000-	) Label, Opertnl, Telem [Fcc/lc]	1
16	1075143	(008000-	) Harness, Ele [Telem]	1
17	1248350	(011778-	) Antenna, Telem [4g, 180"]	2
18	763114	(011778-	) Tie, Cable, 11.3l, 2.75d Max	2

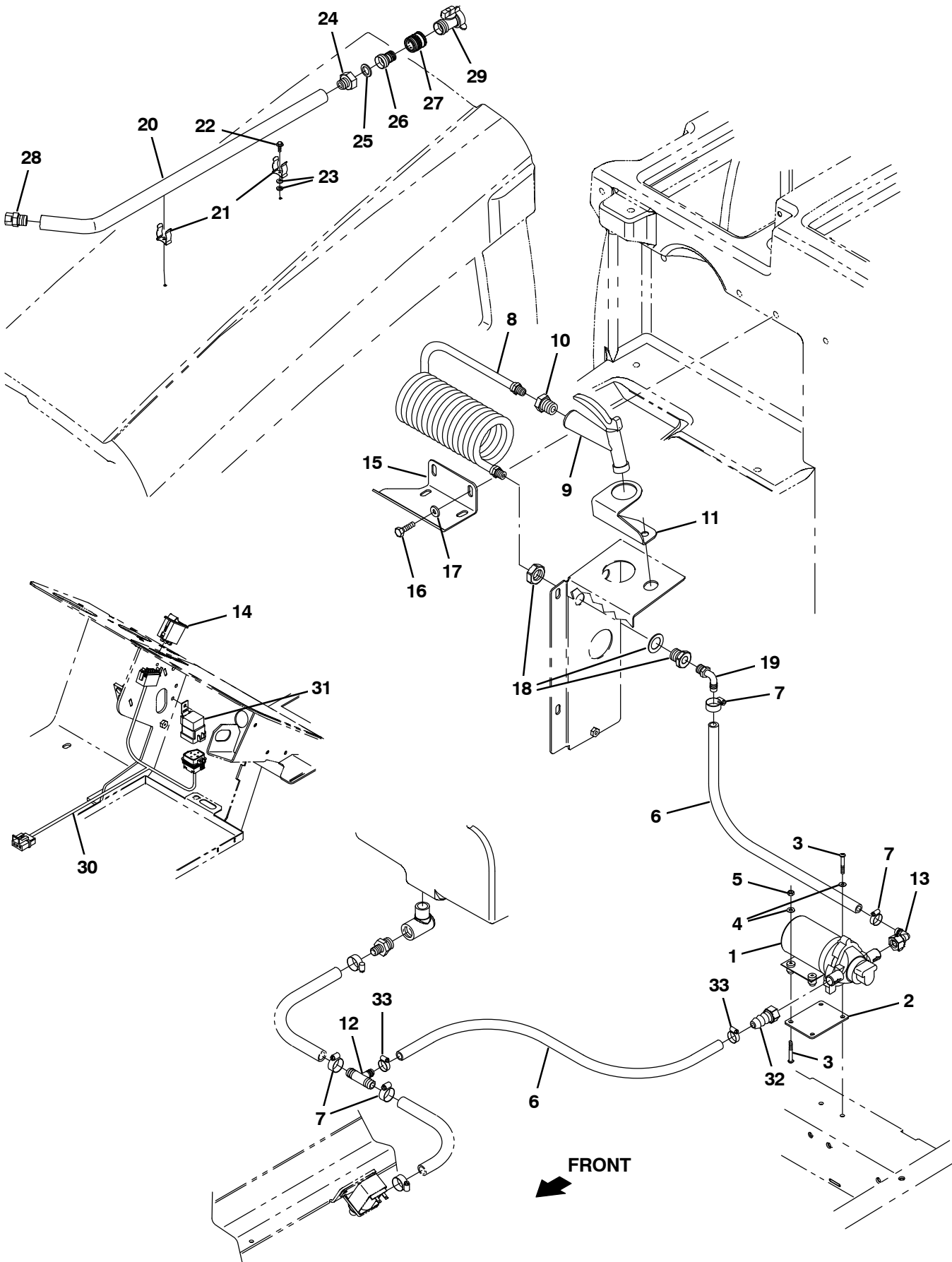
Fig. 24 – Vacuum Wand Kit



**Fig. 24 - Vacuum Wand Kit**

	<b>Ref.</b>	<b>Part No.</b>	<b>Serial Number</b>	<b>Description</b>	<b>Qty.</b>
▽		9001334	(008000-	) Wand Kit, Vacuum, Ci [M20]	1
▲	1	65580	(008000-	) Bag, Power	1
▲	2	72968	(008000-	) Rivet, Plstc, .250d X 0.90	4
▲	3	190722	(008000-	) Wand, Chm, Dbl Bend [1 Pk= 1 Box Of 2pc]	1
▲	4	86767	(008000-	) Hose Assy, W/2cuff, 1.5d 090l 1.5/1.5	1
▲	5	1029396	(008000-	) Fitting, Alm, Str, Bm24/Bm48	1
▲	6	55845	(008000-	) Screw, Hex, M5 X 0.80 X 16, Fmg	2
▲	7	13840	(008000-	) Nozzle Assy, Tool, Wand, 14.0 Inch	1
▲	8	79381	(008000-	) Clamp, Hose, Wormdrive, 1.25-2.00d, .50w	1
▲	9	67004	(008000-	) Clip, Grip, Finger, 1.00-1.88d White,Vyl	2
▲	10	19064	(008000-	) Washer, Flat, 06	6

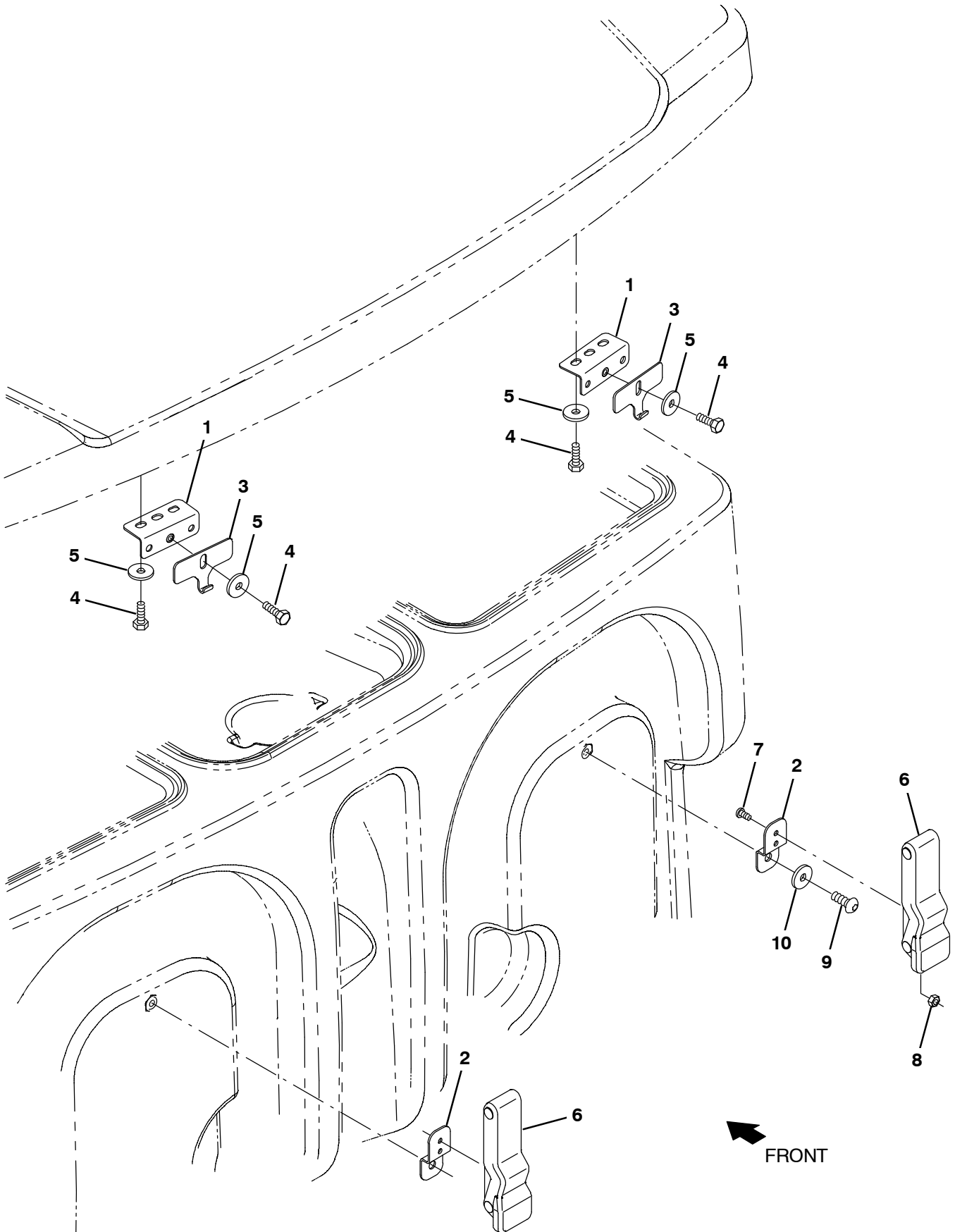
Fig. 25 - Spray Nozzle Kit



**Fig. 25 – Spray Nozzle Kit**

	<b>Ref.</b>	<b>Part No.</b>	<b>Serial Number</b>	<b>Description</b>	<b>Qty.</b>
▽		9001310	(008000–	) Nozzle Kit, Spray, Ci	1
▲	1	1026743	(008000–	) Pump, Diaphragm (See Breakdowns)	1
▲	2	1027007	(008000–	) Plate, Mtg, Pump	1
▲	3	06939	(008000–	) Screw, Pan, M5 X 0.80 X 45, 4.8	4
▲	4	19066	(008000–	) Washer, Flat, #10	4
▲	5	06549	(008000–	) Nut, Hex, Lock, M5 X 0.80, NI	2
▲	6	1015045	(008000–	) Hose, Afmkt, Pvc, Brd, 0.75id, 08ft, Clr	1
▲	7	63810	(008000–	) Clamp, Hose, Wormdrive, 0.56–1.06d, .56w	4
▲	8	1019250	(008000–	) Hose, Water, Coil	1
▲	9	769785	(008000–	) Nozzle, Spray, Gun	1
▲	10	1027976	(008000–	) Fitting, Brs, Str, Pf06/Pm12	1
▲	11	1027237	(008000–	) Bracket, Mtg, Spray Handle	1
▲	12	1015486	(007260–	) Fitting, Plstc, Tee, Bm08/Bm10/Bm10, Br	1
▲	13	1018499	(008000–	) Fitting, Plstc, E90, Bm08/Pf08s, Swivel	1
▲	14	398500	(008000–	) Switch, Rocker, Dpdt On/None/On	1
▲	15	1029790	(008000–	) Bracket, Mtg, Spray Wand [FaST, Conv]	1
▲	16	09740	(008000–	) Screw, Hex, M8 X 1.25 X 20, Ss	2
▲	17	1017218	(008000–	) Washer, Flat, 0.32b 1.00d .12, Ss	2
▲	18	1027978	(008000–	) Fitting, Brs, Str, Pf06/Pf06 Bh	1
▲	19	64778	(008000–	) Fitting, Plstc, E90, Bm08/Pm06	1
▲	20	1029055	(008000–	) Wand, Clean-Out	1
▲	21	1029057	(008000–	) Clip, Grip, Finger, .875–1.25	2
▲	22	20394	(008000–	) Screw, Hex, #10–16 X 0.62, Fmg [Ab]	2
▲	23	01683	(008000–	) Washer, Flat, #10, Ss	4
▲	24	375321	(008000–	) Fitting, Brs, Str, Pm08/Garden Hose	1
▲	25	01316	(008000–	) Washer, Flat, 0.66b 1.00d .12, Rbr	1
▲	26	1029153	(008000–	) Nipple, Hose	1
▲	27	1029155	(008000–	) Coupling, Nozzle, Spray	1
▲	28	1029156	(008000–	) Nozzle	1
▲	29	1029399	(008000–	) Valve, Shutoff	1
▲	30	1021881	(008000–	) Harness, Spray, Nozzle	1
▲	31	56186	(008000–	) Relay, 12vdc, 40a, Spdt N/O	1
▲	32	1018495	(008000–	) Fitting, Plstc, Str, Bm08/Pf08s, Swivel	1
▲	33	54333	(008000–	) Clamp, Hose, Wormdrive, 0.31–0.88d, .31w	2

Fig. 26 – Transport Kit

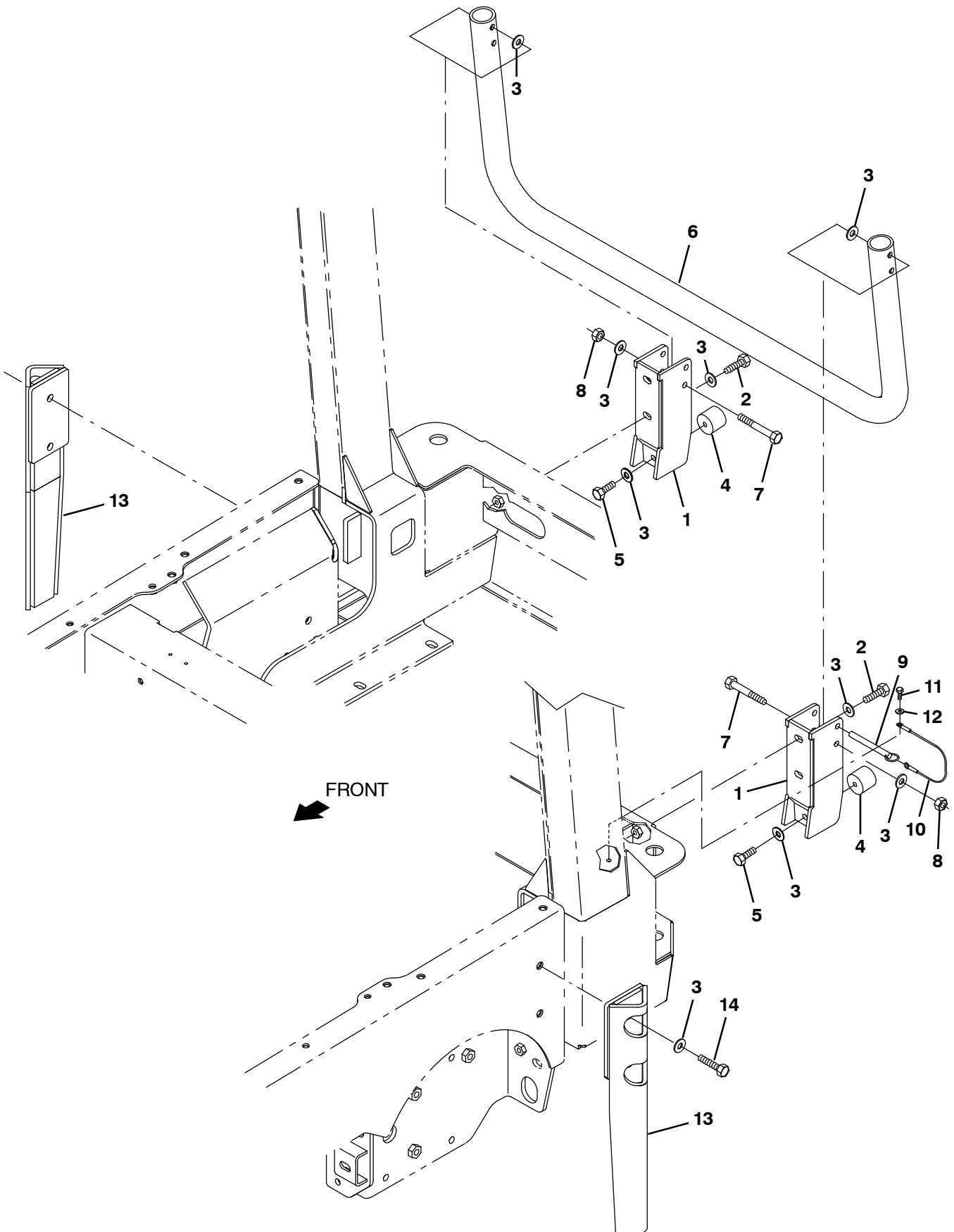




**Fig. 26 – Transport Kit**

	<b>Ref.</b>	<b>Part No.</b>	<b>Serial Number</b>	<b>Description</b>	<b>Qty.</b>
▽		9014867	(008000–	) Transport Kit, Ci [M20/M30}	1
▲	1	1040800	(008000–	) Bracket, Latch, Cover	2
▲	2	1020526	(008000–	) Bracket, Retaining, Hose	2
▲	3	1040634	(008000–	) Plate, Hook, Latch	2
▲	4	09744	(008000–	) Screw, Hex, M6 X 1.00 X 12, Ss	6
▲	5	01684	(008000–	) Washer, Flat, 0.27b 0.69d .05, Ss	6
▲	6	1222019	(008000–	) Latch, Yellow	2
▲	7	09200	(008000–	) Screw, Pan, Phl, M5 X 0.80 X 12, Ss	4
▲	8	09739	(008000–	) Nut, Hex, Lock, M5 X 0.80, NI, Ss	4
▲	9	393135	(008000–	) Screw, Btn, M8 X 1.25 X 20, Blk	2
▲	10	32491	(008000–	) Washer, Flat, 0.31, Std	2

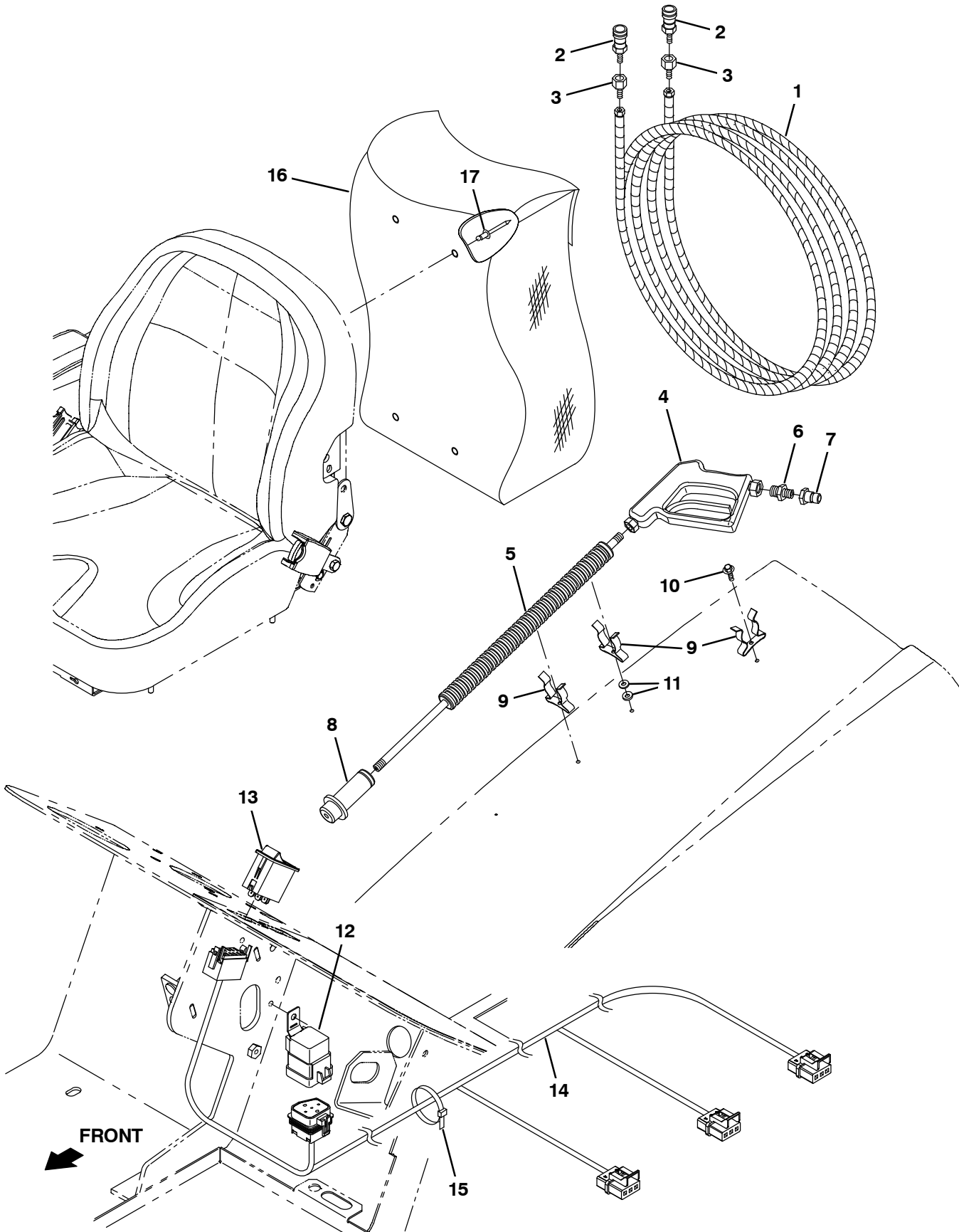
Fig. 27 – Squeegee Guard Kit



**Fig. 27 - Squeegee Guard Kit**

	<b>Ref.</b>	<b>Part No.</b>	<b>Serial Number</b>	<b>Description</b>	<b>Qty.</b>
▽		9001338	(008000-	) Guard Kit, Sqge, Ci [M20]	1
▲	1	1027560	(008000-	) Bracket Wldt, Guard, Sqge	2
▲	2	39284	(008000-	) Screw, Hex, M10 X 1.5 X 35, 8.8	4
▲	3	32492	(008000-	) Washer, Flat, 0.38 Std	14
▲	4	1024977	(008000-	) Bumper, Ure, 1.50d 1.25l	2
▲	5	21196	(008000-	) Screw, Hex, .38-16 X 0.88, 5	2
▲	6	1054338	(008000-	) Guard Wldt, Sqge	1
▲	7	06965	(008000-	) Screw, Hex, M10 X 1.5 X 80, 8.8	2
▲	8	41430	(008000-	) Nut, Hex, Lock, M10 X 1.5, NI	2
▲	9	369359	(008000-	) Pin, Hitch, .375d X 3.12l, PI	1
▲	10	57702	(008000-	) Cable, Glv .06d 012.0l .26eye /.26eye	1
▲	11	09738	(008000-	) Screw, Hex, M5 X 0.8 X 12, Ss	1
▲	12	01683	(008000-	) Washer, Flat, #10, Ss	1
▲	13	1045444	(008000-	) Guard Wldt, Sqge [M20/T20/M30]	2
▲	14	06962	(008000-	) Screw, Hex, M10 X 1.5 X 45, 8.8	4

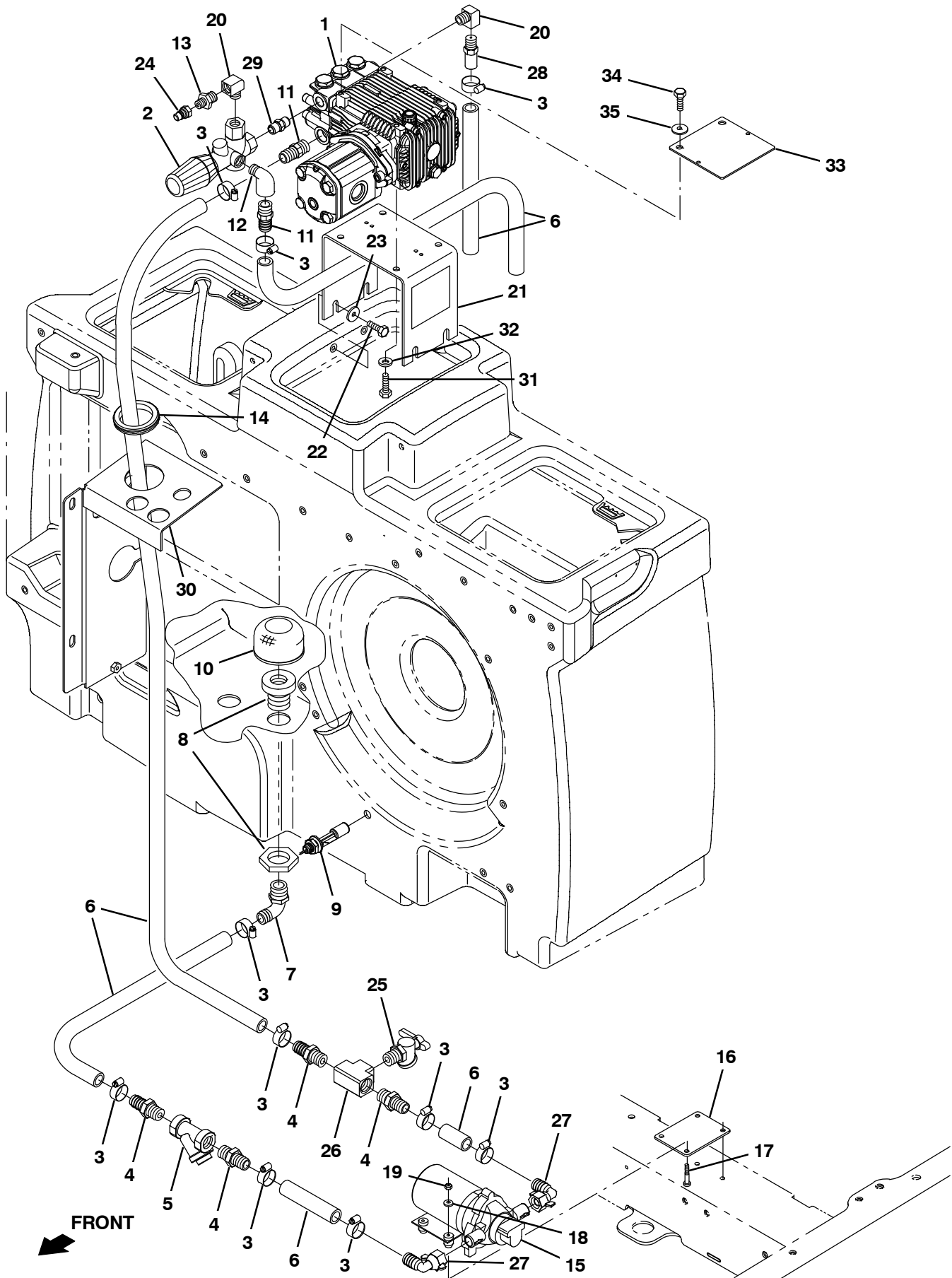
**Fig. 28 – Pressure Washer Mount Group**



**Fig. 28 – Pressure Washer Mount Group**

<b>Ref.</b>	<b>Part No.</b>	<b>Serial Number</b>	<b>Description</b>	<b>Qty.</b>
1	1039056	(008000–	) Hose, Rbr, 25ft	1
2	1042051	(008000–	) Fitting, Ss, Qdc, Fem	2
3	1042772	(008000–	) Fitting, Brs, Str, Pf06/Pm04	2
4	1039042	(008000–	) Handle, Gun, Trigger	1
5	1039044	(008000–	) Wand, Str, Ss, 28l	1
6	1044428	(008000–	) Fitting, Brs, Str, Pm04/Pm06 [Hp]	1
7	1042191	(008000–	) Fitting, Ss, Qdc, Mal	1
8	1041935	(008000–	) Nozzle, Spray [Pressure Washer]	1
9	67004	(008000–	) Clip, Grip, Finger, 1.00–1.88d White,Vyl	3
10	20394	(008000–	) Screw, Hex, 10–16 X 0.62, Fmg/Ab, Pl	3
11	01683	(008000–	) Washer, Flat, 10, Ss	6
12	56186	(008000–	) Relay, 12vdc, 040a, Spdt No	1
13	1040899	(008000–	) Switch, Rocker, Prgrsv	1
14	1074983	(008000–	) Harness, Ele [Press. Wash]	1
15	49266	(008000–	) Tie, Cable, Nyl, 07.3l .19w 1.8 Max D	5
16	65580	(008000–	) Bag, Power	1
17	72968	(008000–	) Rivet, Plstc, .250D X 0.90	2

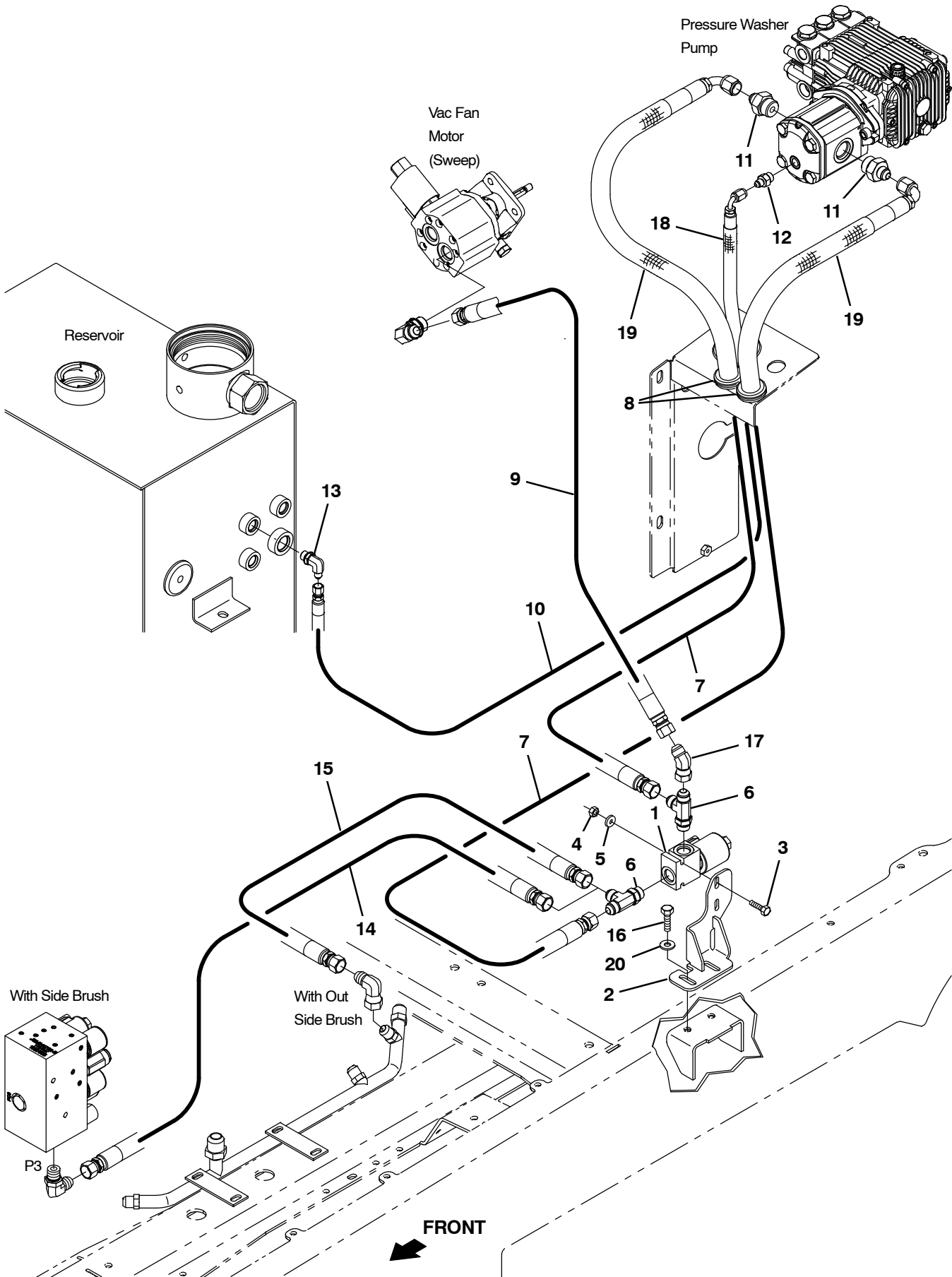
**Fig. 29 - Pressure Washer Solution Group**



**Fig. 29 – Pressure Washer Solution Group**

<b>Ref.</b>	<b>Part No.</b>	<b>Serial Number</b>	<b>Description</b>	<b>Qty.</b>
1	1225829	(008000–	) Pump, Hyd, Press Washer	1
2	1039046	(008000–	) Valve, Needle	1
3	63810	(008000–	) Clamp, Hose, Wormdrive, 0.56–1.06d, .56w	10
4	377334	(008000–	) Fitting, Brs, Str, Bm12/Pm12	4
5	1039037	(008000–	) Filter, Y, In-Line, .75	1
6	1045034	(008000–	) Hose, Afmkt, Pvc, Wir, 0.75id, 08ft, Clr	1
7	1041351	(008000–	) Fitting, Brs, E90, Bm12/Pm12	1
8	377349	(008000–	) Fitting, Plstc, Pf12/Pf12, Bh	1
9	385685	(008000–	) Sensor, Level, Liq, 14vdc 01a .62–11	1
10	1027290	(008000–	) Filter, Soltn, 020mesh, Pm12 3.1d 02.6l	1
11	1042859	(008000–	) Fitting, Brs, Str, Bm12/Pm08	2
12	1042579	(008000–	) Fitting, Brs, E90, Pf08/Pm06	1
13	1044428	(008000–	) Fitting, Brs, Str, Pm04/Pm06 [Hp]	1
14	10632–19	(008000–	) Grommet, Rbr, 2.13id, F/2.5h, .12 Matl	1
15	1026743	(008000–	) Pump, Diaphragm	1
16	1027007	(008000–	) Plate, Mtg, Pump	1
17	06939	(008000–	) Screw, Pan, Phl, M5 X 0.80 X 45, 4.8	4
18	19066	(008000–	) Washer, Flat, 0.25b 0.56d .05, Pl, 10	4
19	06549	(008000–	) Nut, Hex, Lock, M5 X 0.80, NI	2
20	24584	(008000–	) Fitting, Brs, E90, Pf06/Pm06, Spcl	2
21	9016315	(008000–	) Bracket, Mtg, Pump, Hp, Replmt	1
22	15675	(008000–	) Screw, Hex, M8 X 1.25 X 16, Ss	1
23	32491	(008000–	) Washer, Flat, 0.31, Std	1
24	1042191	(008000–	) Fitting, Ss, Qdc, Mal	1
25	1224328	(008000–	) Valve, Drain, Pm12, Qtr Turn	1
26	1224329	(008000–	) Fitting, Tee, Pf12/Pf12/Pf12, Brs	1
27	1231375	(008000–	) Fitting, Plstc, E90, Bm12/Pf08	2
28	1227137	(008000–	) Valve, Hyd, Press Washer	1
29	1224331	(008000–	) Fitting, Brs, Str, Pm06/ Pm06	1
30	1225174	(008000–	) Bracket Wldt, Mtg	1
31	16931	(008000–	) Screw, Hex, M8 X 1.25 X 20, 8.8	3
32	1017218	(008000–	) Washer, Flat, 0.32b 1.00d .12, Ss	3
33	1225146	(008000–	) Plate, Mtg, Light, Hp Spray (Flashing or Strobe Light Option Only)	1
34	16391	(008000–	) Channel, .18, 2.5w 1.3 01.0l, 1/0.5h (Flashing or Strobe Light Option Only)	2
35	1017218	(008000–	) Washer, Flat, 0.32b 1.00d .12, Ss (Flashing or Strobe Light Option Only)	2

**Fig. 30 – Pressure Washer Hydraulic Hoses Group**

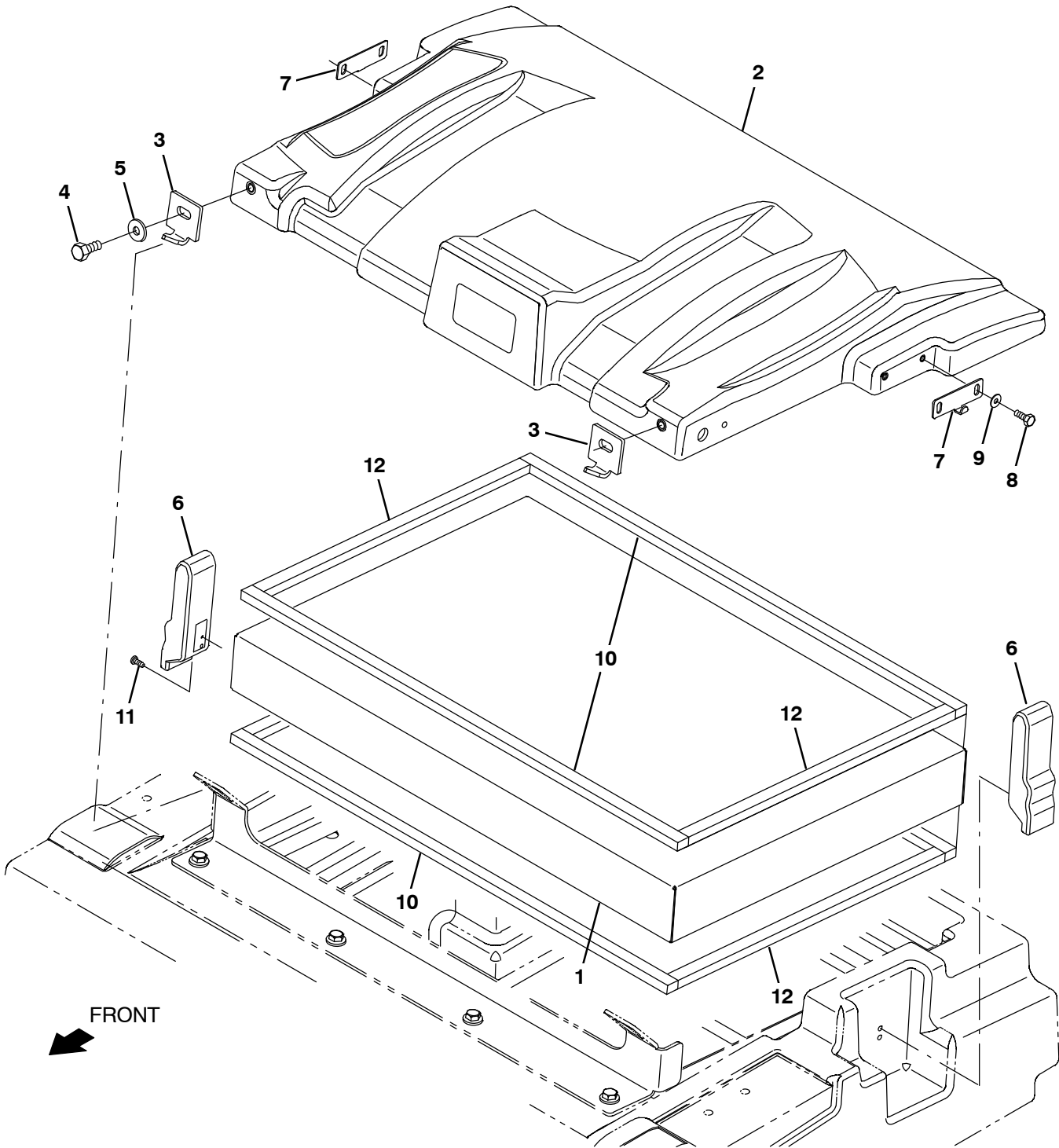




**Fig. 30 – Pressure Washer Hydraulic Hoses Group**

<b>Ref.</b>	<b>Part No.</b>	<b>Serial Number</b>	<b>Description</b>	<b>Qty.</b>
1	1038571	(008000–	) Valve, Hyd, Press Washer	1
2	1225144	(008000–	) Bracket, Valve, Mtg	1
3	06949	(008000–	) Screw, Hex, M6 X 1.00 X 50, 8.8	2
4	08712	(008000–	) Nut, Hex, Lock, M6 X 1.00, NI, Ss	2
5	32490	(008000–	) Washer, Flat, 0.25, Std	2
6	40755	(008000–	) Fitting, Hyd, Tee, Jm08/Jm08/Om08, Run	2
7	1226044	(008000–	) Hose, Hyd, Tc08, Jfoee90/Jf08str, 72	2
8	10632–14	(008000–	) Grommet, Rbr, 1.00id, F/1.4h, .12 Matl	2
9	1036965	(008000–	) Hose, Hyd, Tc08, Jf08str/Jf08str, 034.0	1
10	34379	(008000–	) Hose, Hyd, Med04, Jf04e90/Jf04str, 072.0	1
11	42227	(008000–	) Fitting, Hyd, Str, Jm08/Om12	2
12	55685	(008000–	) Fitting, Hyd, Str, Jm04/Om06	1
13	47638	(008000–	) Fitting, Hyd, E90, Jm04/Om06	1
14	1037072	(008000–	) Hose, Hyd, Tc08, Jf08str/Jf08str, 052.0	1
15	1036902	(008000–	) Hose, Hyd, Tc08, Jf08str/Jf08str, 039.0	1
16	09010	(008000–	) Screw, Hex, M8 X 1.25 X 25, Ss	2
17	07797	(008000–	) Fitting, Hyd, E45, Jf08/Jm08	1
18	1224326	(008000–	) Sleeve, Nyl, 0.69id 20.0l [Asb11]	1
19	1224327	(008000–	) Sleeve, Nyl, 1.06id 22.0l [Asb15]	2
20	32491	(008000–	) Washer, Flat, 0.31, Std	2

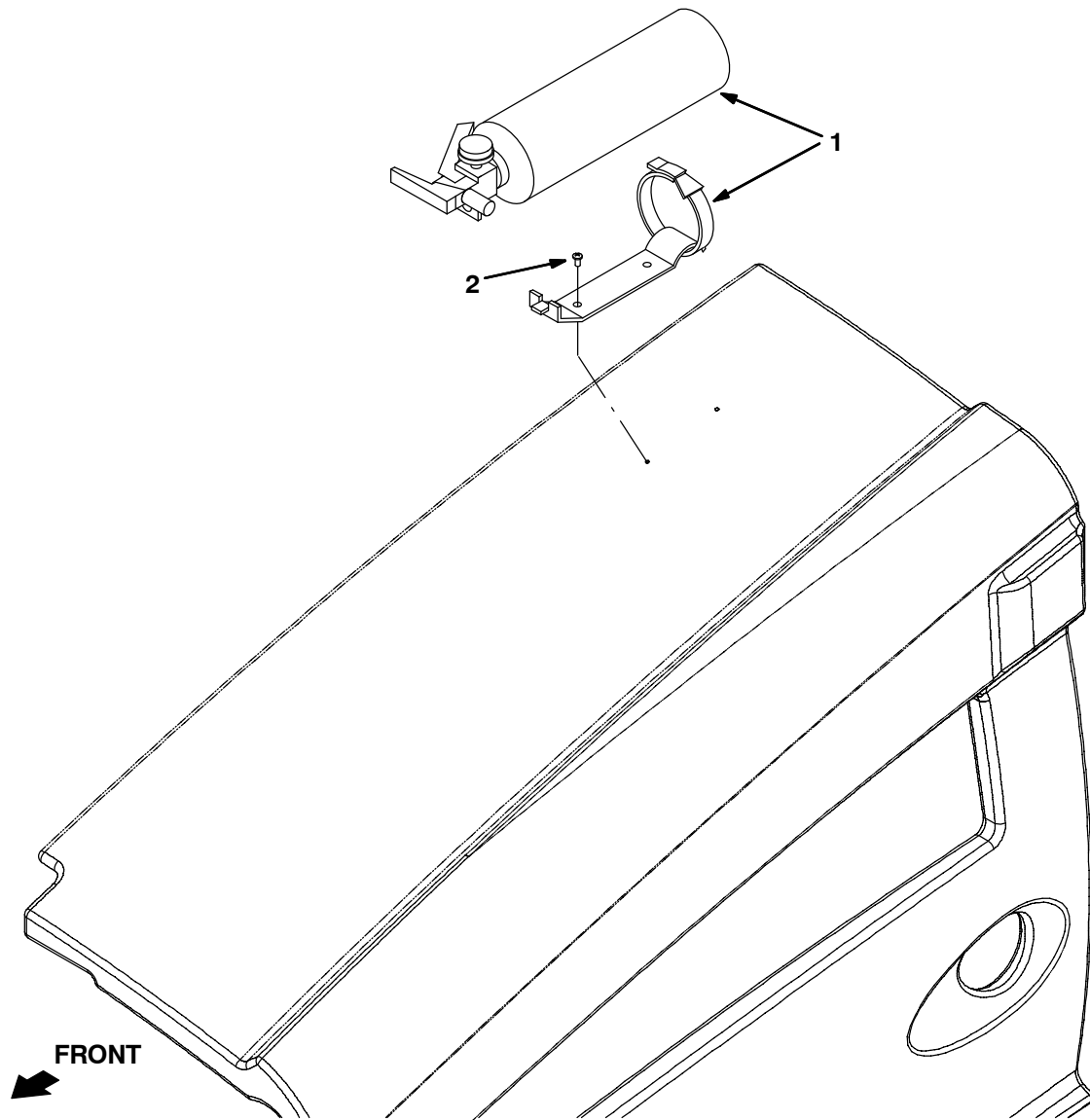
Fig. 31 - Wet Dust Control Hopper Cover Group (010900- )



**Fig. 31 - Wet Dust Control Hopper Cover Group (010900- )**

<b>Ref.</b>	<b>Part No.</b>	<b>Serial Number</b>	<b>Description</b>	<b>Qty.</b>
1	1076414	(010900-	) Panel, Filler, Filter [M20/30 Wet Sweep]	1
2	1041006	(010900-	) Cover, Hppr	1
3	1018207	(010900-	) Bar, Mtg, Hppr Cover	2
4	09291	(010900-	) Screw, Hex, M10 X 1.5 X 20, Ss	2
5	1014563	(010900-	) Washer, Flat, 0.40b 1.12d .12, Ss	2
6	1222019	(010900-	) Latch, Yellow	2
7	1041984	(010900-	) Bracket, Cover, Hppr	2
8	15678	(010900-	) Screw, Hex, M6 X 1.0 X 16, Ss	4
9	01684	(010900-	) Washer, Flat, 0.25, Ss	4
10	1015239	(010900-	) Seal, Afmkt, Ure, Adh, 0.50, 0.75w 03ft	4
11	09200	(010900-	) Screw, Pan, M5 X 0.8 X 12, Ss	4
12	1015241	(010900-	) Seal, Afmkt, Ure, Adh, 0.50, 0.75w 02ft	4

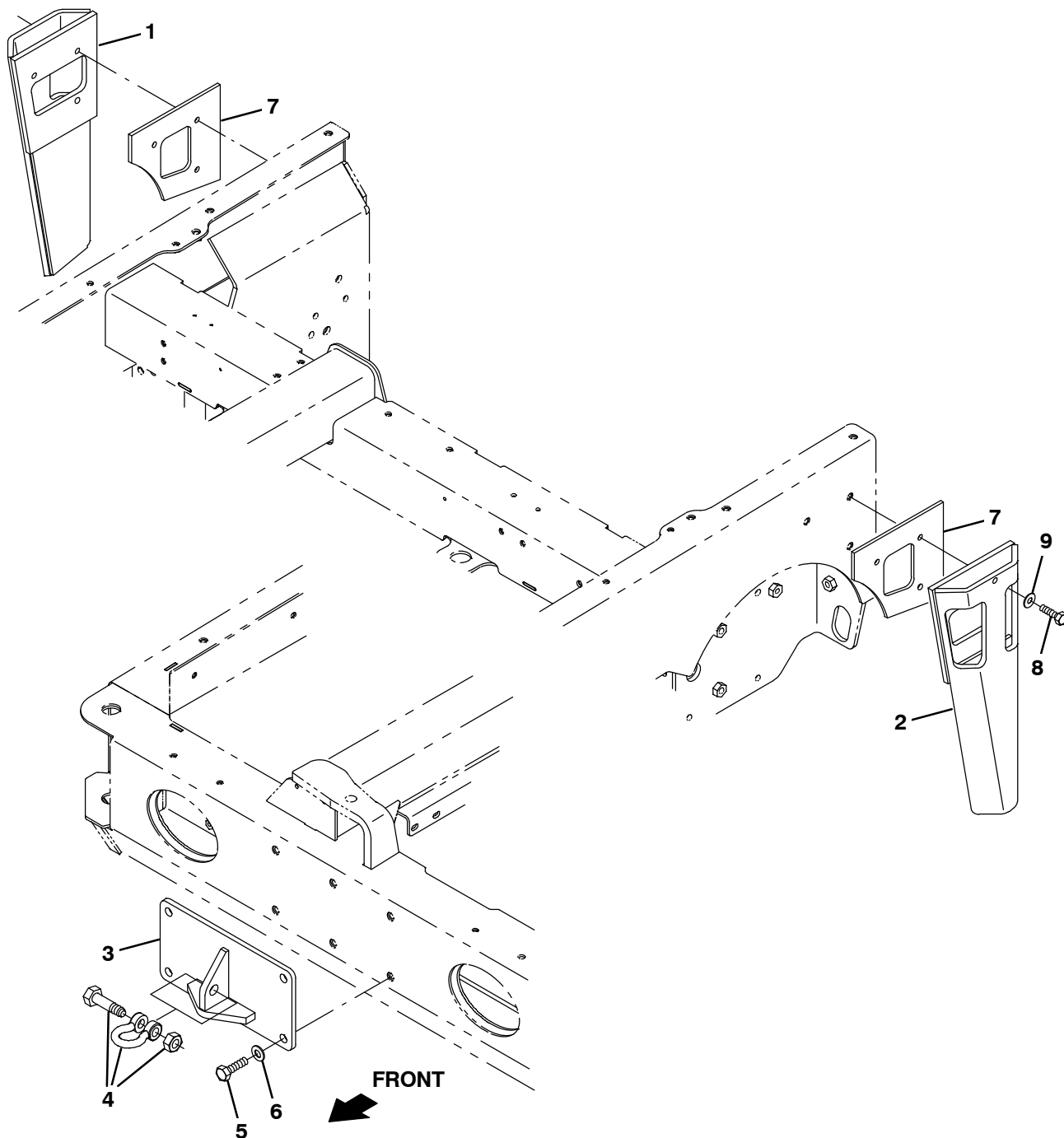
**Fig. 32 – Fire Extinguisher Kit**



354484

Ref.	Part No.	Serial Number	Description	Qty.
▽	9001316	(008000–	) Extinguisher Kit, Fire, Ci [M20/T20/M30]	1
▲	1 25312	(008000–	) Extinguisher, Fire, 2.5 Lb Dry	1
▲	2 382320	(008000–	) Screw, Pan, #12–16 X 0.50, F/ Plstc	2

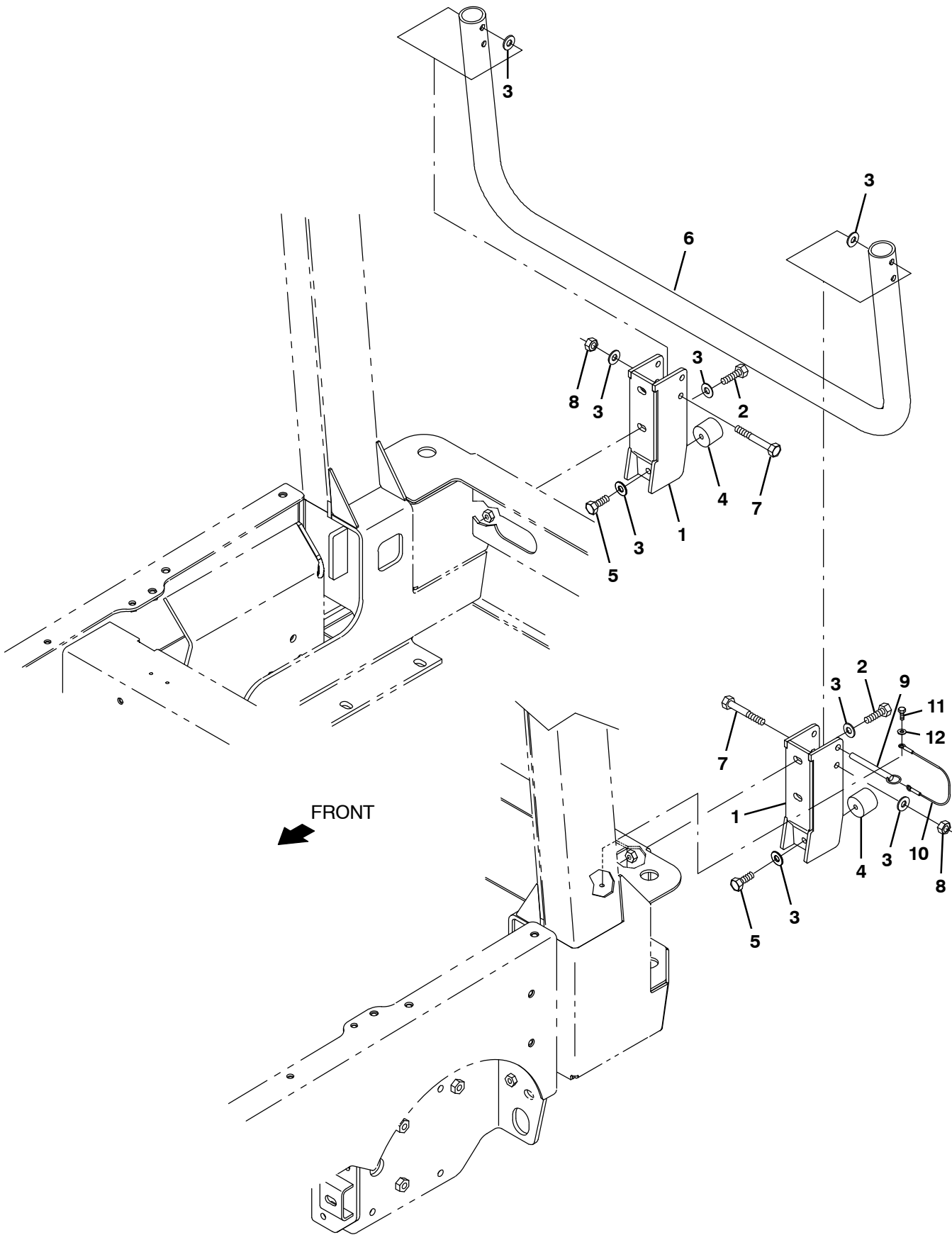
Fig. 33 – Frame Tie Down and Tow Group



356970 – M20, T20

Ref.	Part No.	Serial Number	Description	Qty.
1	1076696	(008000–	) Guard Wldt, Sqge, Tie-Down, Side, Rh	1
2	1076698	(008000–	) Guard Wldt, Sqge, Tie-Down, Side, Lh	1
3	1076740	(008000–	) Tow Wldt, Bumper, Front	1
4	1076741	(008000–	) Anchor [Shackle], .50 Bolt	1
5	06968	(008000–	) Screw, Hex, M12 X 1.75 X 35, 8.8	4
6	32486	(008000–	) Washer, Flat, 0.53b 1.06d .10, Stl, Pl	4
7	1076699	(008000–	) Plate, Shim, Guard, Sqge, Tie-Down	1
8	77347	(008000–	) Screw, Hex, M10 X 1.50 X 35, Ss	6
9	32492	(008000–	) Washer, Flat, 0.38, Std	6

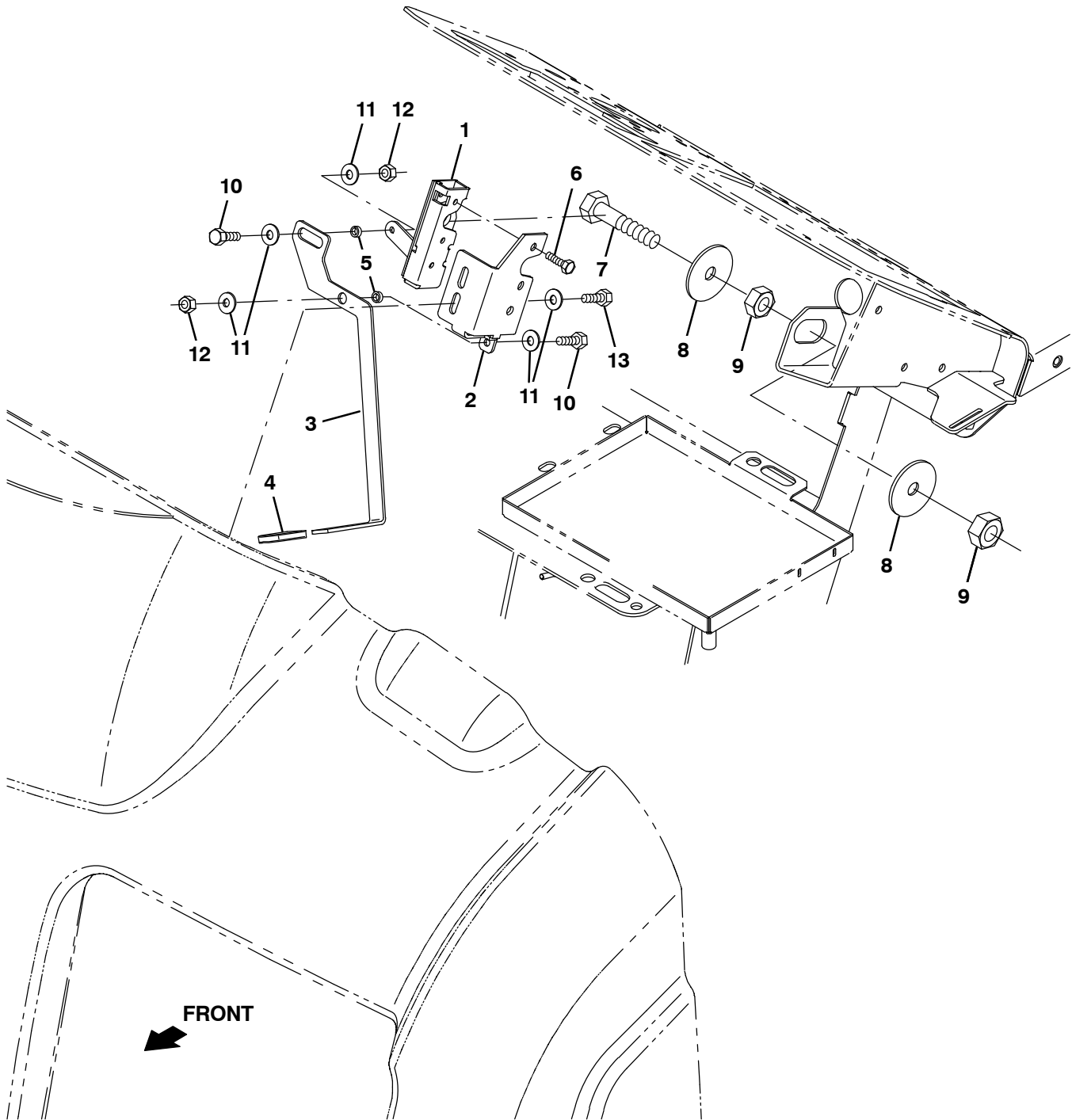
Fig. 34 – Rear Squeegee Guard Group



**Fig. 34 - Rear Squeegee Guard Group**

<b>Ref.</b>	<b>Part No.</b>	<b>Serial Number</b>	<b>Description</b>	<b>Qty.</b>
1	1027560	(008000-	) Bracket Wldt, Guard, Sqge	2
2	39284	(008000-	) Screw, Hex, M10 X 1.50 X 35, 8.8	4
3	32492	(008000-	) Washer, Flat, 0.38, Std	12
4	1024977	(008000-	) Bumper, Ure, 1.50d 1.25l	2
5	21196	(008000-	) Screw, Hex, .38-16 X 0.88, G5	2
6	1054338	(008000-	) Guard Wldt, Sqge	1
7	06965	(008000-	) Screw, Hex, M10 X 1.50 X 80, 8.8	2
8	41430	(008000-	) Nut, Hex, Lock, M10 X 1.5, NI	2
9	369359	(008000-	) Pin, Hitch, .375d X 3.12l, PI	1
10	57702	(008000-	) Cable, Glv .06d 012.0l .26eye /.26eye	1
11	55845	(008000-	) Screw, Hex, M5 X 0.80 X 16, Fmg	1
12	01683	(008000-	) Washer, Flat, 10, Ss	1

Fig. 35 – Front Cover Latch Group





**Fig. 35 – Front Cover Latch Group**

<b>Ref.</b>	<b>Part No.</b>	<b>Serial Number</b>	<b>Description</b>	<b>Qty.</b>
1	59661	(008000– )	Latch	1
2	1076703	(008000– )	Bracket, Mtg, Latch	1
3	1076704	(008000– )	Lever, Latch	1
4	222190	(008000– )	Grip, Handle	1
5	80491	(008000– )	Sleeve, P/M, 0.25b 0.38d 0.2l [430ss]	2
6	25046	(008000– )	Screw, Hex, .25–20 X 1.00, G5	3
7	32895	(008000– )	Screw, Hex, .50–13 X 3.50, G5	1
8	04414	(008000– )	Washer, Flat, 0.53b 1.88d .12, Stl, PI	2
9	32523	(008000– )	Nut, Hex, Jam, .50–13	2
10	06943	(008000– )	Screw, Hex, M6 X 1.00 X 20, 8.8	2
11	32490	(008000– )	Washer, Flat, 0.25, Std	8
12	08708	(008000– )	Nut, Hex, Lock, M6 X 1.00, NI	2
13	06942	(008000– )	Screw, Hex, M6 X 1.00 X 16, 8.8	2

**Fig. 36 – Documentation Group (Online Only)**

M20, G/LP, NA

Ref.	Part No.	Serial Number	Description	Qty.
	9016000	(008000–	) Manual, Oprtr [M20 G, En, Na Sn 8000–]	1
	1032578	(008000–	) Instr, Maint, Wall Chart [M20]	1
	9016002	(008000–	) Manual, Oprtr [M20 G, Es, Na Sn 8000–]	1
	9016003	(008000–	) Manual, Oprtr [M20 G, Fr, Na, Sn 8000–]	1
	9016004	(008000–	) Manual, Oprtr [M20 G/Lpg, Jp, Sn 8000–]	1
	9016005	(008000–	) Manual, Oprtr [M20 G/Lpg, Cn, Sn 8000–]	1
	9016001	(008000–	) Manual, Parts [M20 Gas/Lp, Na Sn 8000–]	1
	9016283	(008000–	) Manual, Oprtr [M20 G/Lp, Ptb, Sn 8000–]	1
	9016006	(008000–	) Manual, Service, [M20/M30 G/D, Sn 8000–]	1
	9006257	(008000–	) Media, Cd–Rom, Training [ec–H2O Tennant]	1
	9010635	(008000–	) Manual, Service, Cd–Rom [Mit2.0I]	1



To view, print, or download the latest Parts manual, other language Operator manuals, and Use and Care Guides (wall charts), visit:

[www.tennantco.com/manual](http://www.tennantco.com/manual)

## SECTION 4

Contents	Page
Fig. 1 – Extended Scrub Pump Breakdown, 1021210 .....	4-2
Fig. 2 – Hydraulic Motor Breakdown, 379609 ...	4-4
Fig. 3 – Hydraulic Pump Breakdown, 1024251 .	4-6
Fig. 4 – Hydraulic Motor Breakdown, 71729 ....	4-8
Fig. 5 – Hydraulic Motor Breakdown, 1029379 .	4-9
Fig. 6 – Hydraulic Valve Breakdown, 1072997 .	4-10
Fig. 7 – Hydraulic Valve Breakdown, 1072995 .	4-12
Fig. 8 – Hydraulic Steering Valve Breakdown, 1024260 .....	4-14
Fig. 9 – Metering Solution Pump Breakdown, 73260 .....	4-16
Fig. 10 – Water Pump Breakdown, 1026743 ...	4-17
Fig. 11 – ec-H2O Module Assembly Breakdown, 9007882 .....	4-18
Fig. 12 – Seat Breakdown, 9018721 .....	4-20
Fig. 13 – Steering Gearbox Breakdown, 9015636 .....	4-22
Fig. 14 – FaST Injector Assembly Breakdown, 9008868 .....	4-24
Fig. 15 – Water Pump Motor Breakdown, 1225829 .....	4-25

**Fig. 1 – Extended Scrub Pump Breakdown, 1021210**

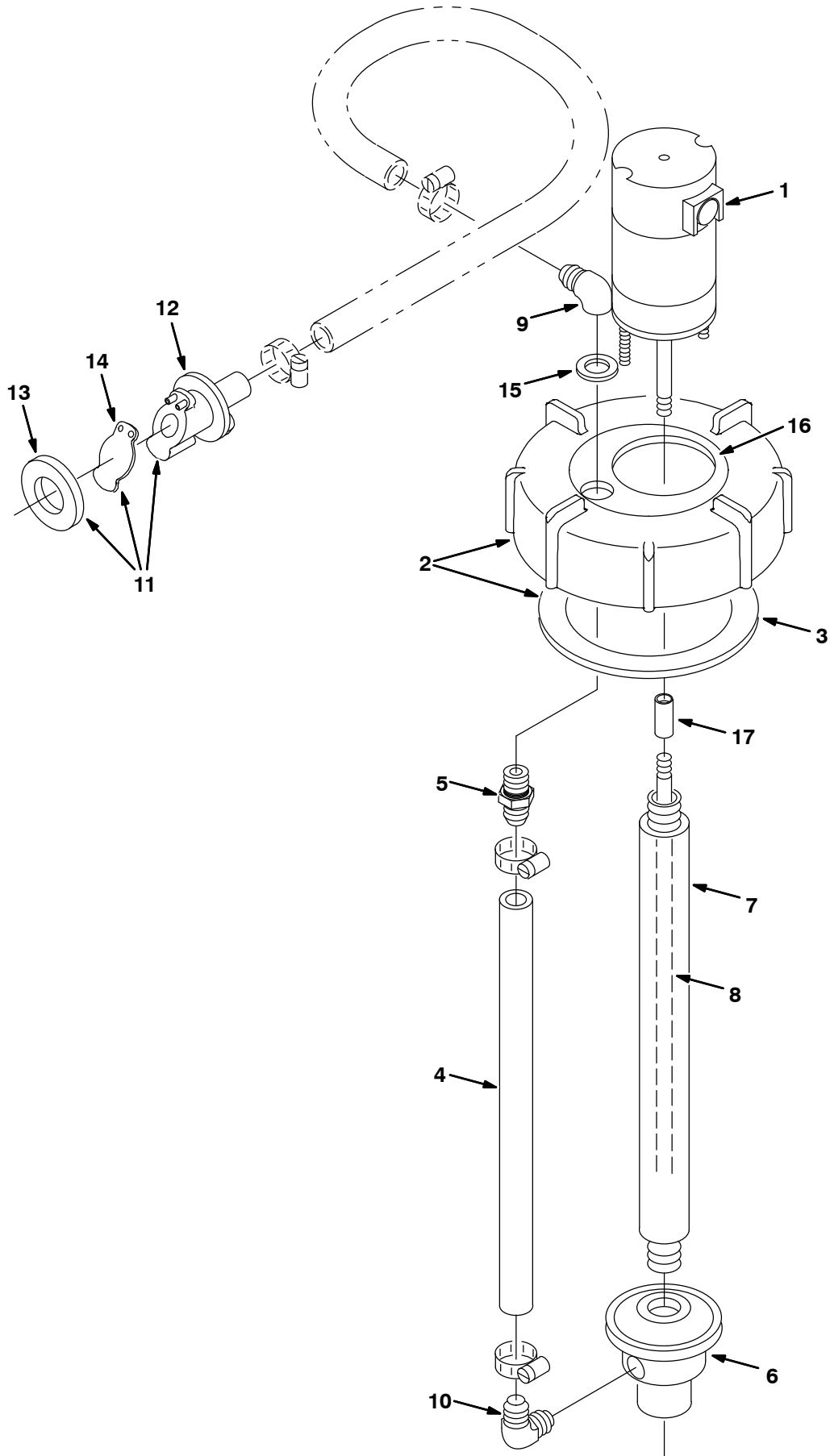


Fig. 1 - Extended Scrub Pump Breakdown, 1021210

	Ref.	Part No.	Serial Number	Description	Qty.
▽		1021210	(000000-	) Pump Assy, Column, Es	1
▲▽	1	9002708	(000000-	) Motor, Ele, 12vdc, Pump, Water	1
▲▲		78829	(000000-	) Kit, Brush, Motor, Ele	1
▲▽	2	24358	(000000-	) Cap Assy, Tank, Drain	1
▲▲	3	1031699	(000000-	) Gasket, 4.05id 5.29od .19 [Buna]	1
▲	4	78833	(000000-	) Tube, Vinyl, Pump, Water	1
▲	5	78398	(000000-	) Fitting, Plstc, Str, Bm12/Pm08, Nyl	1
▲	6	78843	(000000-	) Housing Kit, Pump, Water	1
▲	7	78836	(000000-	) Column, Pump, Water	1
▲	8	9002709	(000000-	) Shaft, Pump, Water	1
▲	9	78838	(000000-	) Fitting, E, Gr	1
▲	10	78839	(000000-	) Fitting, Plstc, E90, Pf Bm [Es Pump]	1
▲▽	11	78842	(000000-	) Kit, Valve, Check, Pump, Water	1
▲▲	12	78840	(000000-	) Valve, Check, Pump, Water	1
▲▲	13	73342	(000000-	) Gasket, .25 1.88d 1.0id [Poron]	1
▲▲	14	78841	(000000-	) Flapper, Valve, Pump, Water	1
▲	15	78830	(000000-	) Washer, Rbr	1
▲	16	22790	(000000-	) Insert, Cap, Mount, Es Pump	1
▲	17	23285	(000000-	) Sleeve, Pump, Water	1

**Fig. 2 – Hydraulic Motor Breakdown, 379609**

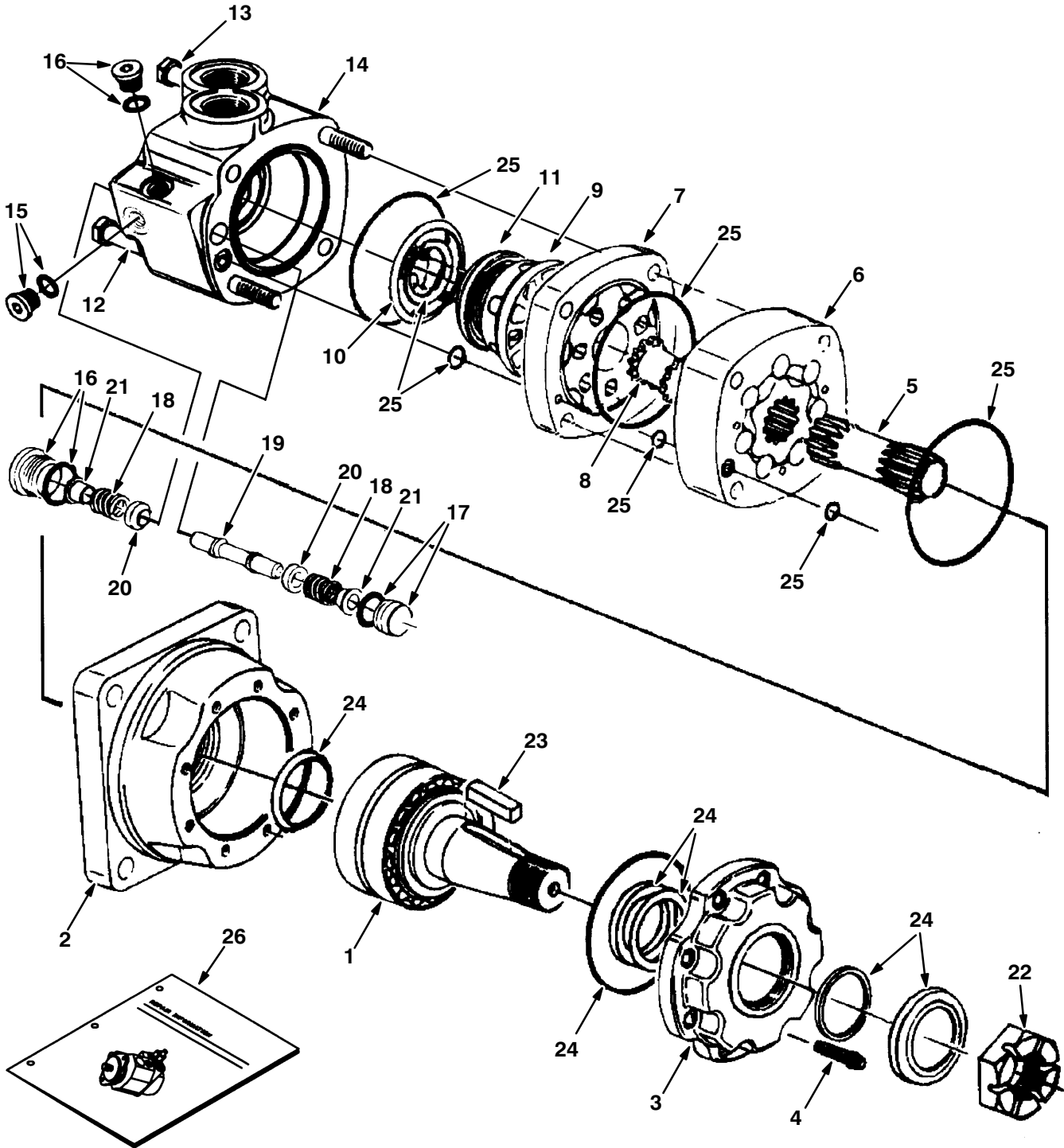


Fig. 2 – Hydraulic Motor Breakdown, 379609

	Ref.	Part No.	Serial Number	Description	Qty.
▽		379609	(000000-	) Motor, Hyd, Gear, [Int], 19.0 X 3000	1
▲	1	74165	(000000-	) Shaft, Motor, Hyd	1
▲	2	74166	(000000-	) Housing, Brg, Motor, Hyd	1
▲	3	74167	(000000-	) Retainer, Motor, Hyd	1
▲	4	74168	(000000-	) Screw, Cap, Motor, Hyd	8
▲	5	37616	(000000-	) Drive, Motor, Hyd	1
▲	6	37756	(000000-	) Geroler, Motor, Hyd	1
▲	7	74122	(000000-	) Plate, Valve, Motor, Hyd	1
▲	8	52405	(000000-	) Valve, Motor, Hyd	1
▲	9	74123	(000000-	) Valve, Motor, Hyd	1
▲	10	34178	(000000-	) Spring, Motor, Hyd	2
▲	11	38968	(000000-	) Ring, Motor, Hyd	1
▲	12	74125	(000000-	) Bolt, Motor, Hyd	3
▲	13	38255	(000000-	) Bolt, Motor, Hyd	1
▲	14	373297	(000000-	) Housing, Valve	1
▲	15	373298	(000000-	) Plug	1
▲	16	373260	(000000-	) Plug, Pump, Hyd, Gear	2
▲	17	373299	(000000-	) Plug	1
▲	18	373291	(000000-	) Spring	2
▲	19	373217	(000000-	) Piston, Pump, Hyd, Gear	1
▲	20	373226	(000000-	) Poppet, Pump, Hyd, Gear	2
▲	21	373236	(000000-	) Sleeve, Dashpo, Pump, Hyd, Gear	2
▲	22	45622	(000000-	) Nut, Motor, Hyd	1
▲	23	45623	(000000-	) Key, Motor, Hyd	1
▲	24	79828	(000000-	) Seal Kit, Shaft [CI]	1
▲	25	33580	(000000-	) Seal Kit, Rear [CI]	1
	26	79729	(000000-	) Instr, Repair, Motor, Hyd, Gear	1

**Fig. 3 - Hydraulic Pump Breakdown, 1024251**

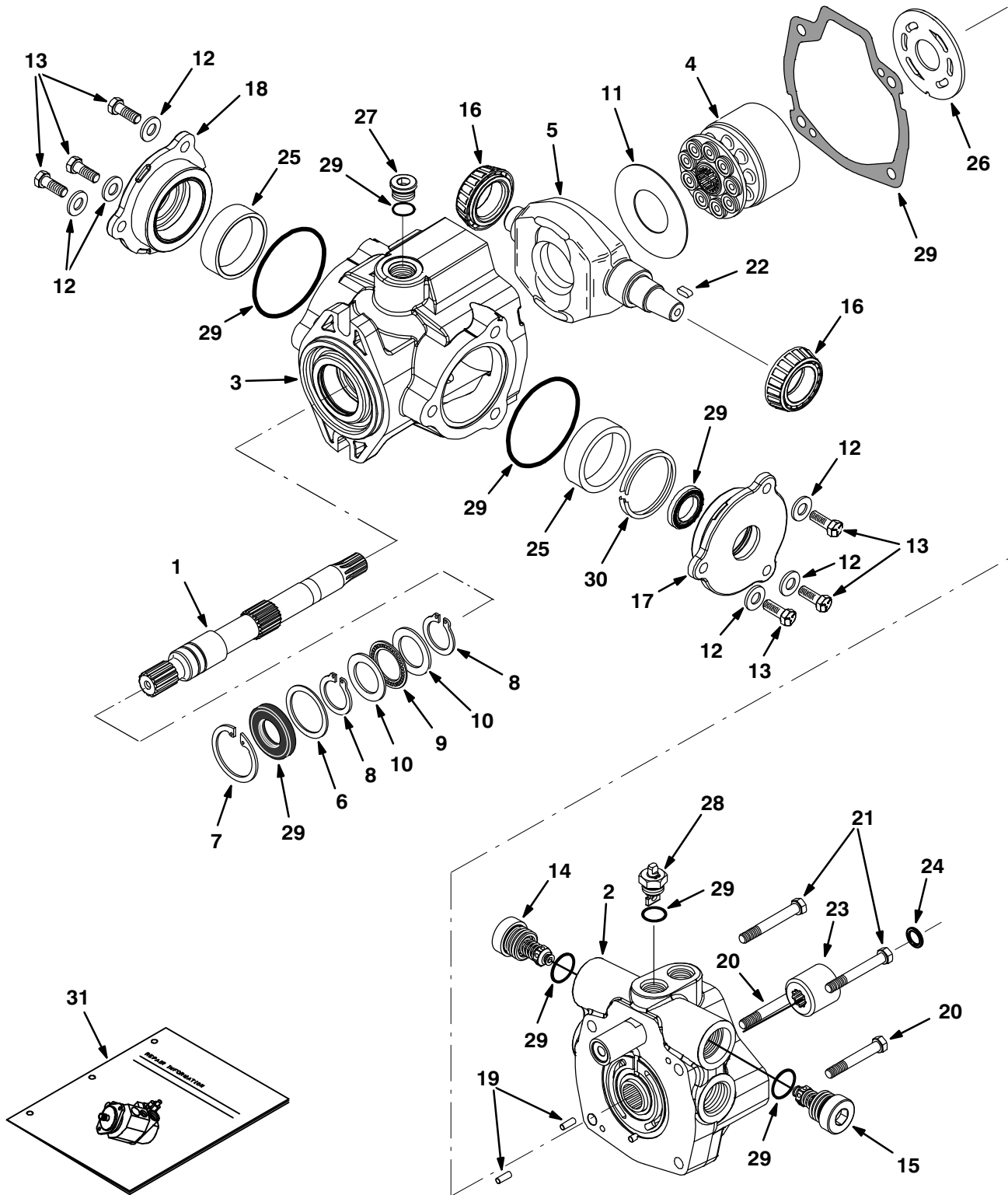
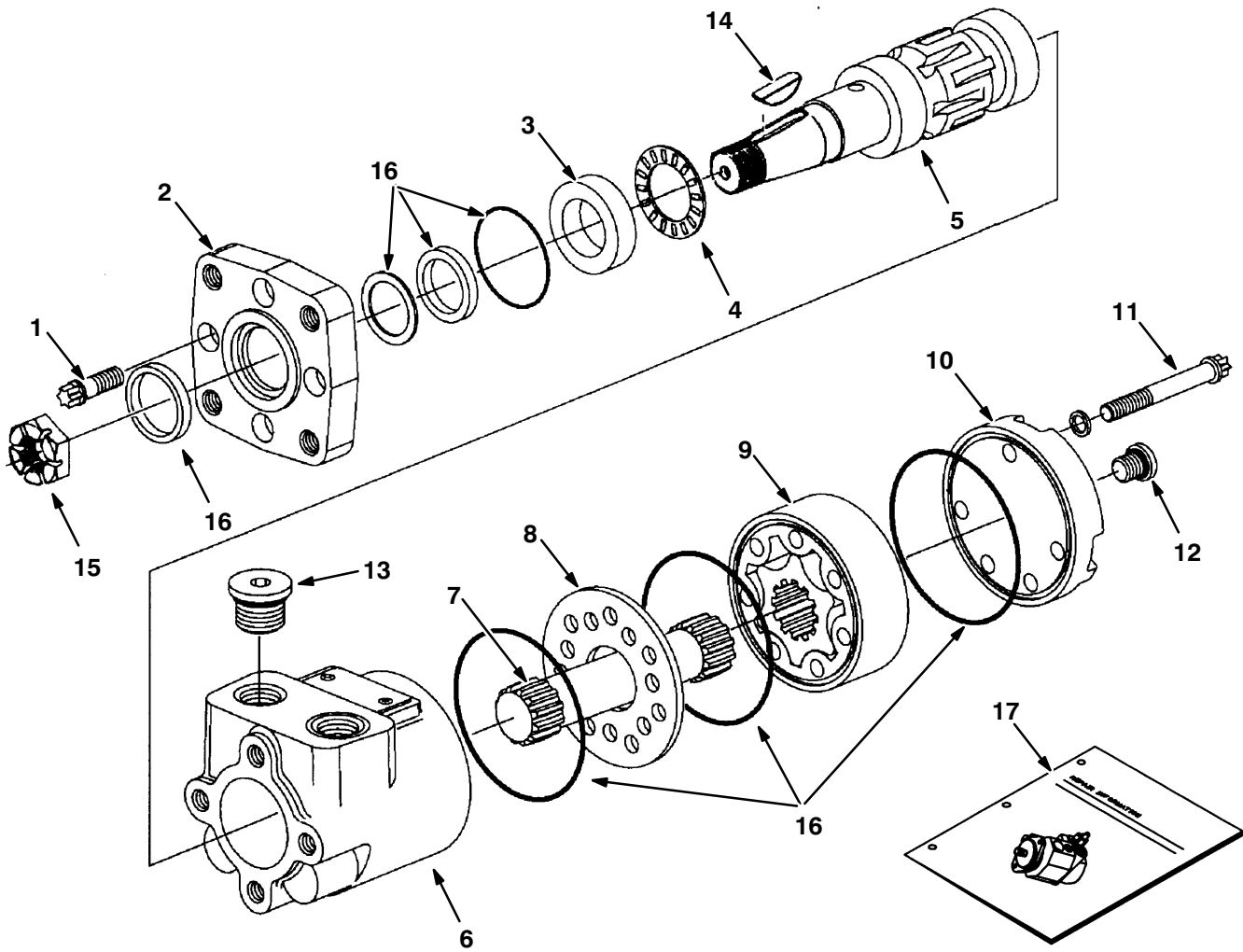




Fig. 3 – Hydraulic Pump Breakdown, 1024251

	Ref.	Part No.	Serial Number	Description	Qty.
▽		1024251	(000000–	) Pump, Hyd, Piston, Var, 1.24 4000, Cw	1
▲	1	373681	(000000–	) Shaft, Pump	1
▲	2	373427	(000000–	) Cover, End	1
▲	3	373389	(000000–	) Housing	1
▲	4	02706	(000000–	) Pump Kit, Hyd, Rotating [Cessna]	1
▲	5	373493	(000000–	) Plate, Cam	1
▲	6	70096	(000000–	) Washer, Flat, Pump, Hyd	1
▲	7	55926	(000000–	) Ring, Retaining, Pump, Hyd	1
▲	8	373434	(000000–	) Ring, Retaining	2
▲	9	74225	(000000–	) Bearing, Thrust, Pump, Hyd	1
▲	10	74226	(000000–	) Race, Brg, Pump, Hyd	2
▲	11	373327	(000000–	) Insert, Plt, Cam, Pump, Hyd	1
▲	12	373391	(000000–	) Washer, Pump, Hyd [En]	6
▲	13	373346	(000000–	) Screw, Cap	6
▲	14	373494	(000000–	) Valve, Relief, 4000 Psi	1
▲	15	373678	(000000–	) Valve, Relief, 3000 Psi	1
▲	16	373317	(000000–	) Bearing, Cone, Pump, Hyd	2
▲	17	373393	(000000–	) Plate, Cover	1
▲	18	373394	(000000–	) Plate, Cover	1
▲	19	70100	(000000–	) Pin, Dowel, Pump, Hyd	2
▲	20	373347	(000000–	) Screw, Cap	2
▲	21	373348	(000000–	) Screw, Cap	2
▲	22	74237	(000000–	) Key, Shaft, Pump, Hyd	1
▲	23	373679	(000000–	) Coupler, Pump	1
▲	24	373680	(000000–	) Ring, Lock	1
▲	25	373395	(000000–	) Bearing, Cup	2
▲	26	74180	(000000–	) Plate, Valve, Pump, Hyd	1
▲	27	13907	(000000–	) Fitting, Hyd, Plug, Om08	1
▲	28	373413	(000000–	) Actuator, Valve, By-Pass [En]	1
▲	29	373398	(000000–	) Seal Kit, Pump, Hyd	1
▲	30	373402	(000000–	) Shim Kit	1
	31	373429	(000000–	) Instr, Repair, Pump	1

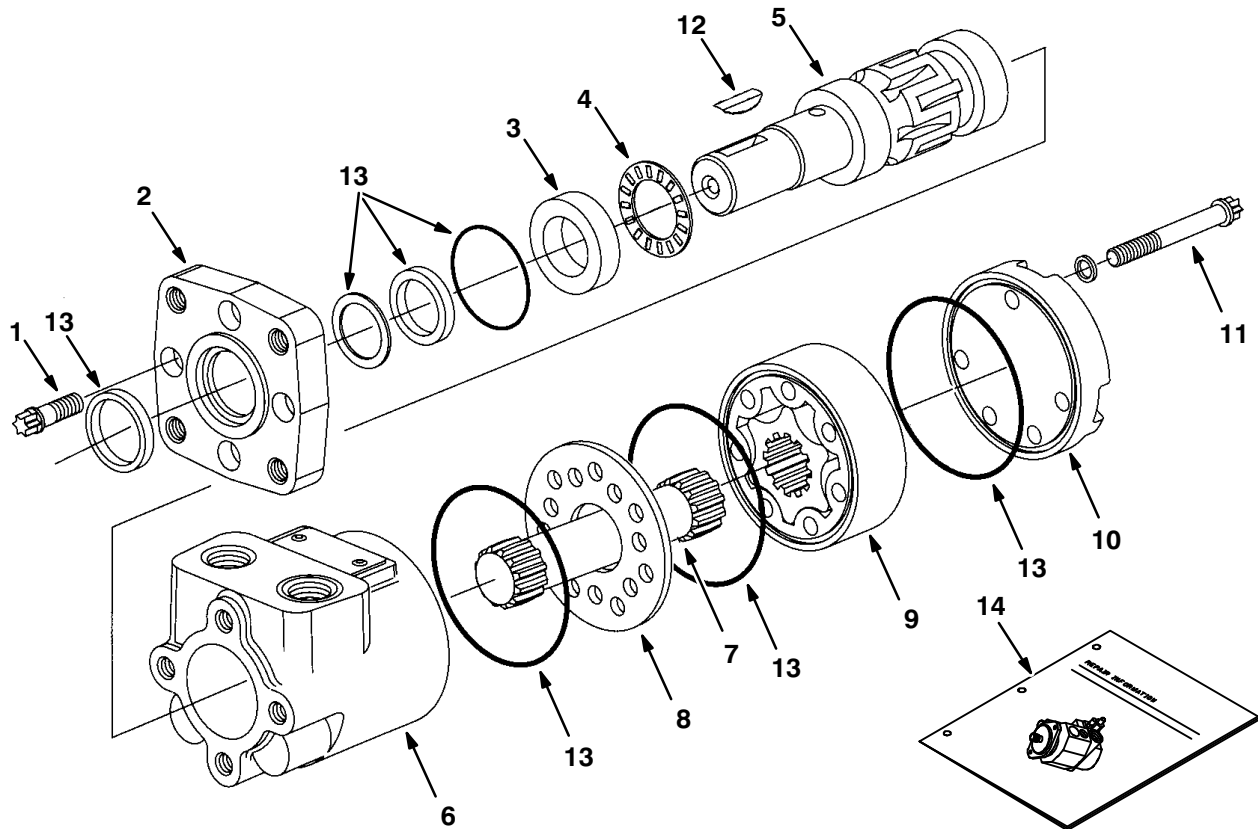
**Fig. 4 – Hydraulic Motor Breakdown, 71729**



09606-09670 – ALL

Ref.	Part No.	Serial Number	Description	Qty.
▽	71729	(000000- )	Motor, Hyd Gear In 4.5 B 1500	1
▲	1	37555	(000000- ) Screw	4
▲	2	31354	(000000- ) Flange Mounting	1
▲	3	16695	(000000- ) Race Thrust	1
▲	4	45628	(000000- ) Thrust Bearing	1
▲	5	31375	(000000- ) Shaft, Output	1
▲	6	74100	(000000- ) Housingl	1
▲	7	31379	(000000- ) Drive	1
▲	8	74094	(000000- ) Spacer Plate	1
▲	9	31383	(000000- ) Gerotor Set	1
▲	10	74095	(000000- ) End Cap	1
▲	11	65241	(000000- ) Cap Screw	5
▲	12	74098	(000000- ) Plug #4	1
▲	13	74099	(000000- ) Plug #10	2
▲	14	00500-15	(000000- ) Key-Wdruff 0.25 1.00	1
▲	15	39527	(000000- ) Nut-Hxslot .75-16 Pltd	1
▲	16	61490	(000000- ) Seal Replmt Kit	1
▲	17	74250	(000000- ) Instr. Repair Info, Motor	1

**Fig. 5 - Hydraulic Motor Breakdown, 1029379**



10859-09670 - ALL

Ref.	Part No.	Serial Number	Description	Qty.	
▽	1029379	(000000-	) Motor, Hyd, Gear, Int 08.9 Bi-Dir 2500	1	
▲	1	37555	(000000-	) Screw, Motor, Hyd [En]	4
▲	2	31354	(000000-	) Flange, Motor, Hyd [En]	1
▲	3	16695	(000000-	) Ace, Thrust, Motor, Hyd [En]	1
▲	4	45628	(000000-	) Bearing, Thrust	1
▲	5	28854	(000000-	) Shaft, Output, Motor, Hyd [En]	1
▲	6	74100	(000000-	) Housing, Motor, Hyd [En]	1
▲	7	21955	(000000-	) Drive [CI]	1
▲	8	74094	(000000-	) Plate, Spacer, Motor, Hyd [En]	1
▲	9	21956	(000000-	) Gerotor Set [CI]	1
▲	10	65230	(000000-	) End Cap, Motor, Hyd [En]	1
▲	11	21958	(000000-	) Cap Screw CI	5
▲	12	00500-15	(000000-	) Key, Woodruff, 0.25 1.00 [Asa#0808]	1
▲	13	61490	(000000-	) Seal Kit, Motor [CI]	1
▲	14	74250	(000000-	) Instr, Motor, Hyd, Repair [En]	1

**Fig. 6 – Hydraulic Valve Breakdown, 1072997**

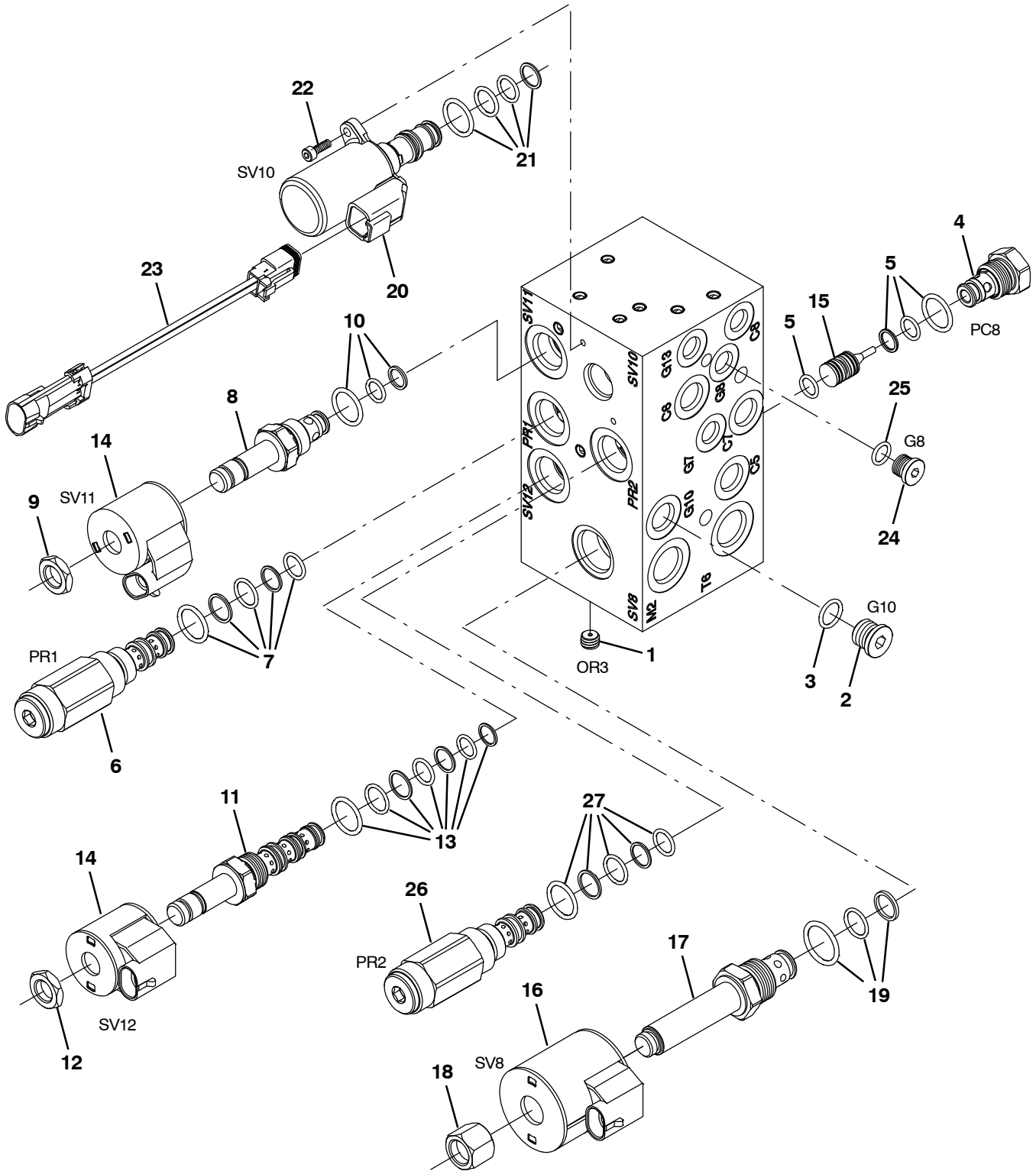


Fig. 6 - Hydraulic Valve Breakdown, 1072997

Ref.	Part No.	Serial Number	Description	Qty.
▽	1072997	(000000-	) Valve, Cntrl, Hyd, Solenoid, 03/16gpm	1
▲	1 373633	(000000-	) Plug, Orifice, Valve, Hyd, .040	1
▲▽	2 13904	(000000-	) Fitting, Plug, Org, #6, Valve [Cec]	1
▲▲	3 77005	(000000-	) Seal, Org, .078 X 00.47id 06	1
▲▽	4 373656	(000000-	) Valve, Check	1
▲▲	5 373647	(000000-	) Seal Kit, Cartridge	1
▲▽	6 373661	(000000-	) Valve, Relief	1
▲▲	7 373647	(000000-	) Seal Kit, Cartridge	1
▲▽	8 373662	(000000-	) Stem, Valve, Hyd	1
▲▲	9 373648	(000000-	) Nut, Coil, Nyl Patch	1
▲▲	10 373647	(000000-	) Seal Kit, Cartridge	1
▲▽	11 373657	(000000-	) Stem, Valve, Hyd [4w2p]	1
▲▲	12 373648	(000000-	) Nut, Coil, F/#8	1
▲▲	13 373647	(000000-	) Seal Kit, Cartridge	1
▲	14 373640	(000000-	) Solenoid, #8, 12vdc	3
▲	15 373658	(000000-	) Spool, Pilot, Hyd	1
▲	16 373642	(000000-	) Solenoid, #10, 12vdc	1
▲▽	17 373663	(000000-	) Valve, Stem, No	1
▲▲	18 373670	(000000-	) Nut, Solenoid	1
▲▲	19 373646	(000000-	) Seal Kit, Cartridge	1
▲▽	20 9011347	(000000-	) Valve Assy [Proportional]	1
▲▲	21 9011343	(000000-	) Seal Kit, Valve [Ehpr98]	1
▲▲	22 9011345	(000000-	) Screw, Mtg [Ehpr98]	2
▲▲	23 9011346	(000000-	) Harness, Jumper [Deutsch To Mpack]	1
▲▽	24 13904	(000000-	) Fitting, Plug, Org, #6, Valve [Cec]	1
▲▲	25 77005	(000000-	) Seal, Org, .078 X 00.47id 06	1
▲▽	26 373683	(000000-	) Valve, Relief	1
▲▲	27 373647	(000000-	) Seal Kit, Cartridge	1

**Fig. 7 - Hydraulic Valve Breakdown, 1072995**

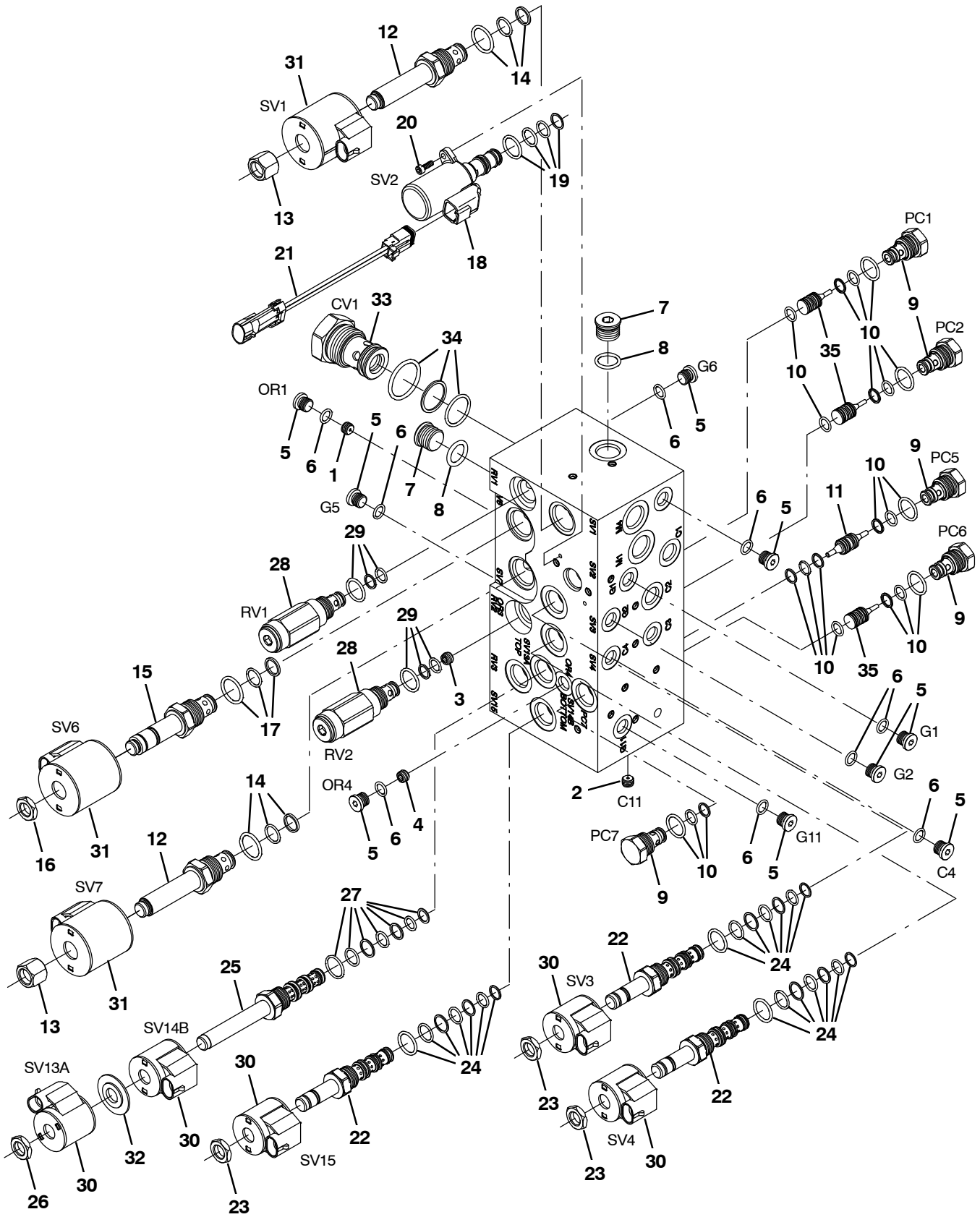


Fig. 7 – Hydraulic Valve Breakdown, 1072995

Ref.	Part No.	Serial Number	Description	Qty.
▽	1072995	(000000–	) Valve, Cntrl, Hyd, Solenoid, 12vdc 10gpm	1
▲	1 373665	(000000–	) Plug, Orifice, Valve, Hyd, .046	1
▲	2 373633	(000000–	) Plug, Orifice, Valve, Hyd, .040	1
▲	3 9004475	(000000–	) Plug Orifice, Valve, Hyd, .140	1
▲	4 373660	(000000–	) Plug, Orifice, Valve, Hyd, .030	1
▲▽	5 74098	(000000–	) Fitting, Hyd, Plug, Om04	9
▲▲	6 77003	(000000–	) Seal, Org, .072 X 00.35id #04	1
▲▽	7 13904	(000000–	) Fitting, Plug, Org, #6, Valve [Cec]	2
▲▲	8 77005	(000000–	) Seal, Org, .078 X 00.47id #06	1
▲▽	9 373656	(000000–	) Valve, Check	5
▲▲	10 373647	(000000–	) Seal Kit, Cartridge	1
▲	11 373688	(000000–	) Spool, Pilot, Dual, Hyd	1
▲▽	12 373663	(000000–	) Valve, Stem, No	2
▲▲	13 373670	(000000–	) Nut, Solenoid	1
▲▲	14 373671	(000000–	) Seal Kit, Cartridge	1
▲▽	15 373667	(000000–	) Stem, Valve, Hyd	1
▲▲	16 373648	(000000–	) Nut, Coil, F/#8	1
▲▲	17 373671	(000000–	) Seal Kit, Cartridge	1
▲▽	18 9011347	(000000–	) Valve Assy [Proportional]	1
▲▲	19 9011343	(000000–	) Seal Kit, Valve [Ehpr98]	1
▲▲	20 9011345	(000000–	) Screw, Mtg [Ehpr98]	2
▲▲	21 9011346	(000000–	) Harness, Jumper [Deutsch To Mpack]	1
▲▽	22 373657	(000000–	) Stem, Valve, Hyd [4w2p]	3
▲▲	23 373648	(000000–	) Nut, Coil, F/#8	1
▲▲	24 373647	(000000–	) Seal Kit, Cartridge	1
▲▽	25 373637	(000000–	) Valve, Cntrl, Solenoid	1
▲▲	26 373684	(000000–	) Nut, Coil, Nyl Patch	2
▲▲	27 373671	(000000–	) Seal Kit, Cartridge	1
▲▽	28 373666	(000000–	) Valve, Relief	2
▲▲	29 373647	(000000–	) Seal Kit, Cartridge	1
▲	30 373640	(000000–	) Solenoid, #8, 12vdc	5
▲	31 373642	(000000–	) Solenoid, #10, 12vdc	3
▲	32 373639	(000000–	) Spacer, Coil, #8	1
▲▽	33 373668	(000000–	) Valve, Check	1
▲▲	34 373671	(000000–	) Seal Kit, Cartridge	1
▲	35 373658	(000000–	) Spool, Pilot, Hyd	3

**Fig. 8 – Hydraulic Steering Valve Breakdown, 1024260**

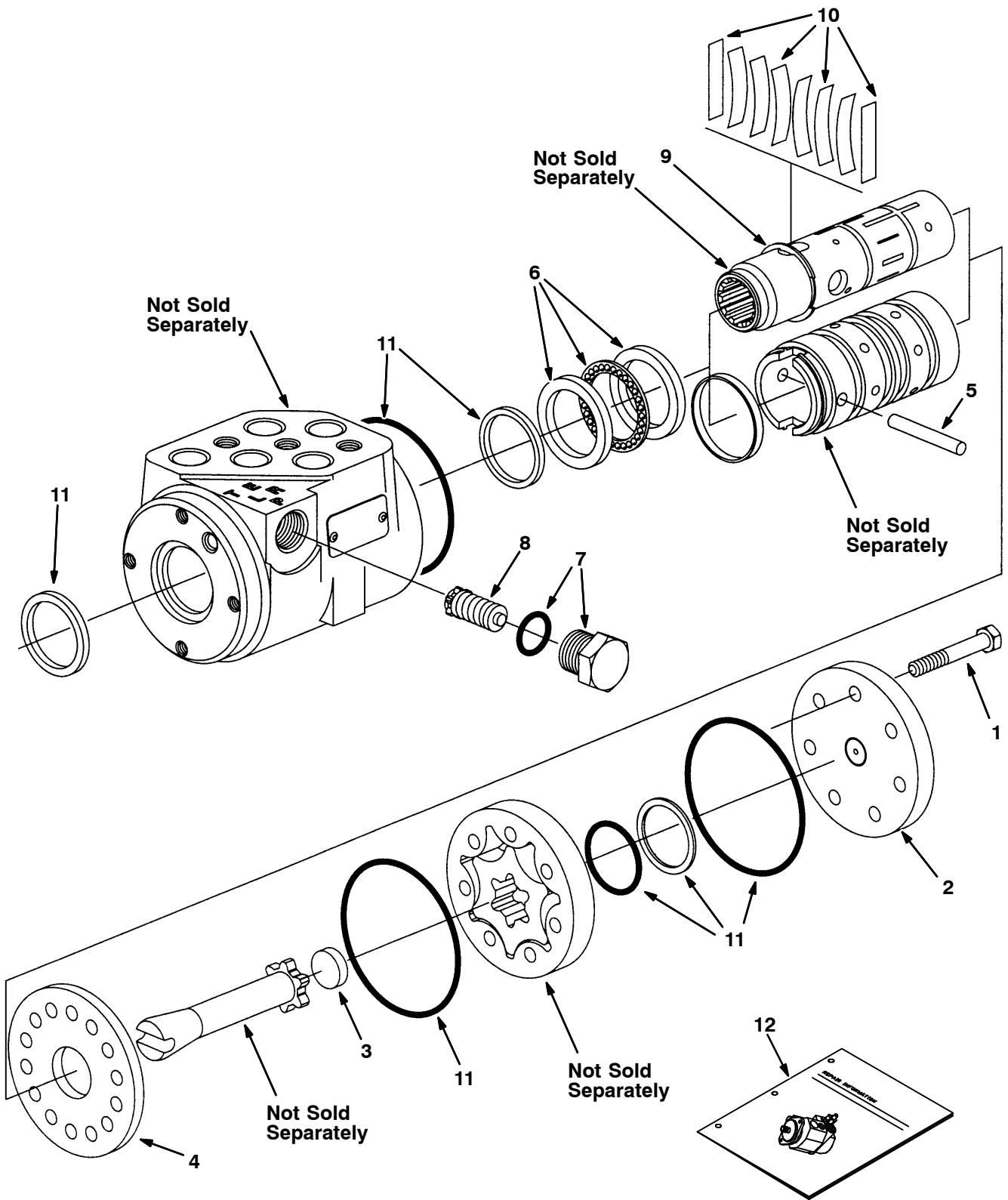
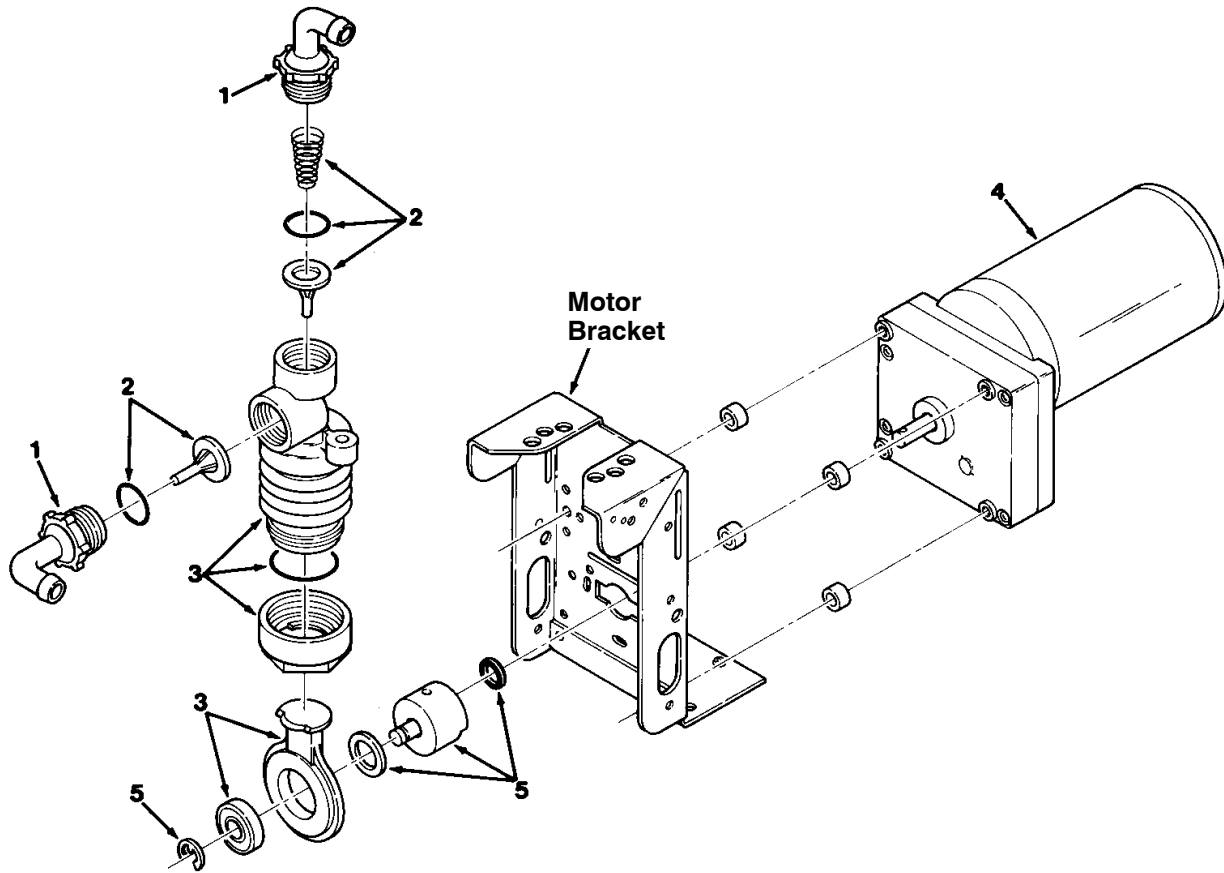




Fig. 8 – Hydraulic Steering Valve Breakdown, 1024260

	Ref.	Part No.	Serial Number	Description	Qty.
▽		1024260	(000000–	) Steer–Control, Hyd05, 06.1 2030	1
▲	1	74183	(000000–	) Screw, Valve, Steering	7
▲	2	74185	(000000–	) Cap, End, Valve, Steering	1
▲	3	74193	(000000–	) Spacer, Valve, Steering	1
▲	4	74222	(000000–	) Plate, Wear, Steering Valve	1
▲	5	74232	(000000–	) Pin, Valve, Steering	1
▲	6	21935	(000000–	) Bearing Kit [C]	1
▲	7	21933	(000000–	) Plug Assy [C]	1
▲	8	21934	(000000–	) Valve Assy, Relief [C]	1
▲	9	74243	(000000–	) Ring, Retainer, Steering Valve	1
▲	10	74196	(000000–	) Spring Kit, Scu [C]	1
▲	11	74244	(000000–	) Seal Kit, Steering [C]	1
▲	12	74245	(000000–	) Instr, Valve, Steering, Repair	1

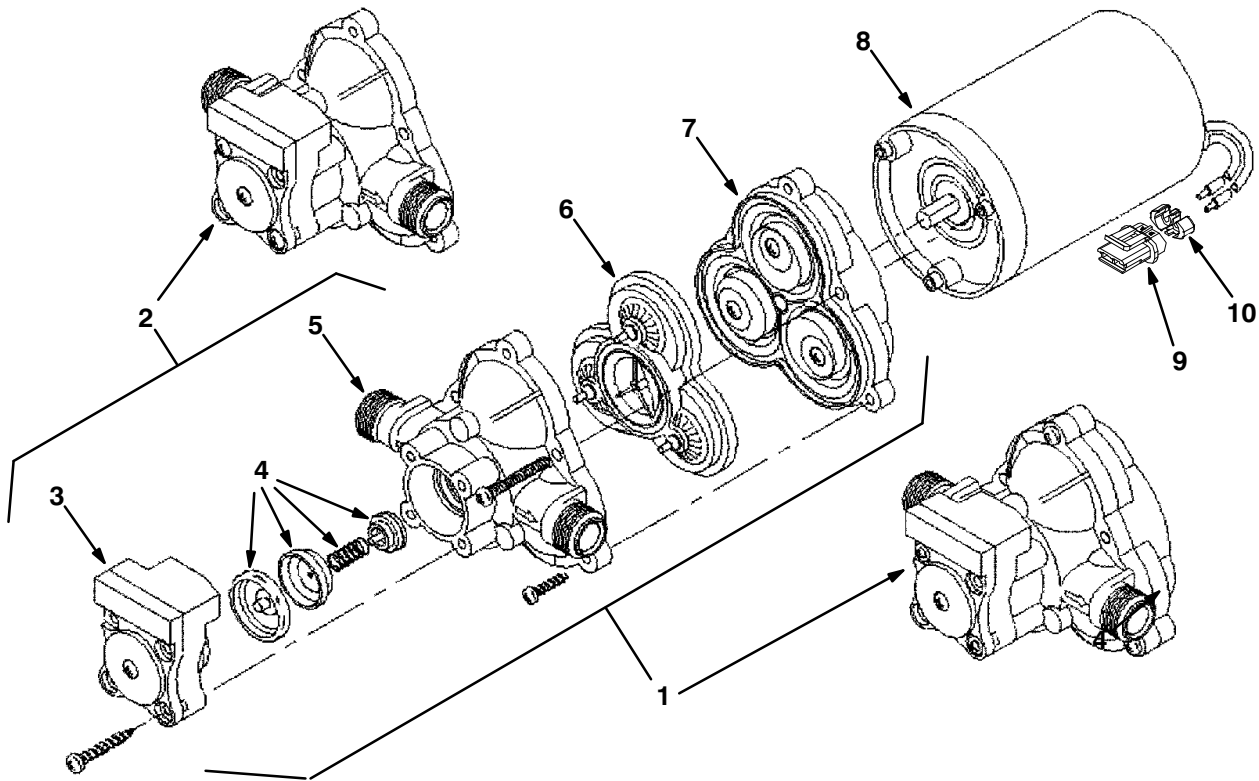
**Fig. 9 – Metering Solution Pump Breakdown, 73260**



00112 – ALL

Ref.	Part No.	Serial Number	Description	Qty.
▽	73260	(000000–	) Pump, Detgt, 14vdc, 150ml/Min 20psi	1
▲	1 63923	(000000–	) Tubing Connctr.Kit, Gorman Pmp	1
▲	2 21659	(000000–	) Valve Kit, Poppet, Gorman Rupp	1
▲	3 21657	(000000–	) Kit, Bellows, Pump, Detgt	1
▲	4 78875	(000000–	) Motor, Ele, Gear, 14vdc, Pump, Detgt	1
▲	5 02430	(000000–	) Crank Kit, Pump, F/79323, Replmt	1

**Fig. 10 – Water Pump Breakdown, 1026743**



07490 – 09670

Ref.	Part No.	Serial Number	Description	Qty.
▽	1026743	(000000–	) Pump, Diaphragm	1
▲	1	1031802	(000000–) Complete Pump Kit, Pump, Repair,	1
▲	2	1031803	(000000–) Hsg & Switch Kit, Pump, Repair,	1
▲	3	1031796	(000000–) Switch Kit, Pump, Repair,	1
▲	4	1031797	(000000–) Chech Valve Kit, Pump, Repair,	1
▲	5	1031798	(000000–) Upper Hsg Kit, Pump, Repair,	1
▲	6	1031799	(000000–) Bypass Valve Kit, Pump, Repair,	1
▲	7	1031800	(000000–) Diaphragm Kit, Pump, Repair,	1
▲	8	1031801	(000000–) Motor Kit, Pump, Repair,	1
▲	9	78950	(000000–) Connector, Fem, 02cav, Mp280 Sealed	1
▲	10	78952	(000000–) Lock, Secondary, 2cav, Mp280 Sealed	1
▲		78951	(000000–) Terminal, Fem, Mp280, Sealed, 18–16ga	2
▲		10917	(000000–) Seal, Wire, 14/16ga [Wp / Mp280 Sealed]	2

Fig. 11 – ec-H2O Module Assembly Breakdown, 9007882

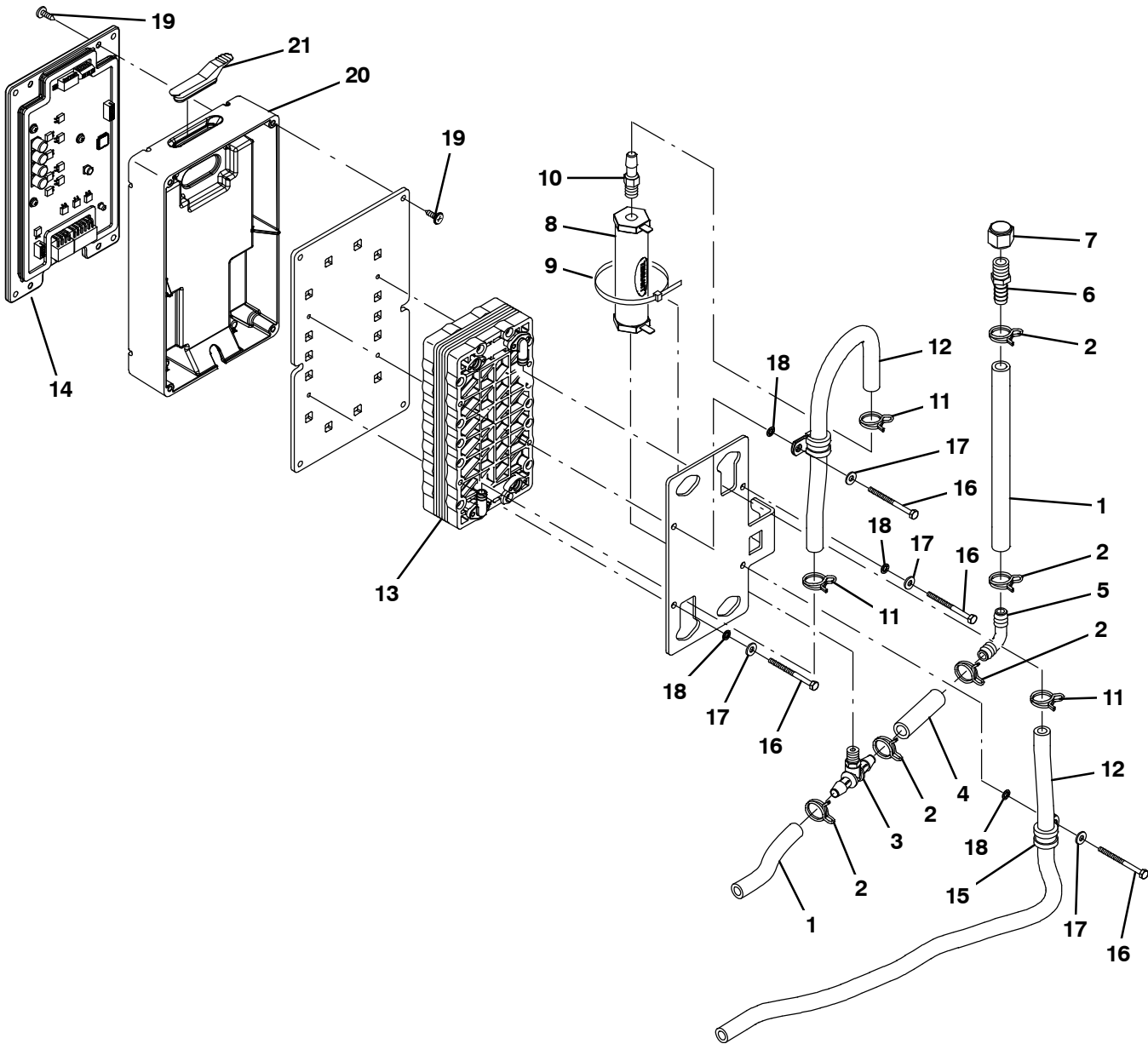


Fig. 11 – ec-H2O Module Assembly Breakdown, 9007882

Ref.	Part No.	Serial Number	Description	Qty.
▽	9007882	(000000–	) Module Kit, Replmt [Ec-H2O]	1
▲	1 1014974	(000000–	) Hose, Afmkt, Pvc, Brd, 0.38id, 02ft, Clr	2
▲	2 607775	(000000–	) Clamp, Hose, Wir, .63 – .66, Blk	5
▲	3 1060517	(000000–	) Fitting, Plstc, Tee, Bm06/Pm02/Bm06	1
▲	4 1014971	(000000–	) Hose, Afmkt, Pvc, Brd, 0.38id, 01ft, Clr	1
▲	5 20951	(000000–	) Fitting, Plstc, E90, Bm06/Bm06	1
▲	6 150540	(000000–	) Fitting, Plstc, Str, Bm06/Pm04	1
▲	7 1005435	(000000–	) Fitting, Plstc, Pipe, Cap, Pf04	1
▲	8 1038159	(000000–	) Electrode, Cylindrical	1
▲	9 44961	(000000–	) Tie, Cable, Nyl, 14.5l .30w 4.0 Max D	1
▲	10 1060695	(000000–	) Fitting, Plstc, Str, Pm02/Bm05	1
▲	11 1053464	(000000–	) Clamp, Hose, Wir, .52 – .56, Yel	3
▲	12 1052336	(000000–	) Hose, Afmkt, PVC, Brd, 0.31ld, 03Ft, Clr	1
▲	13 1057637	(000000–	) Electrode, 5 Plate, High Flow	1
▲	14 9007883	(000000–	) Controller Kit, Replmt [Ec-H2O]	1
▲	15 1016354	(000000–	) Clamp, Cable, Ss, 0.50d X 0.50w [Insul]	2
▲	16 32509	(000000–	) Screw, Hex, M4 X 0.70 X 50, Ss	4
▲	17 41579	(000000–	) Washer, Flat, 08, Ss	4
▲	18 02938	(000000–	) Washer, Lock, Int, 08, Ss	4
▲	19 1018155	(000000–	) Screw, Pan, Phl, M5 X 0.80 X 16, Tcut,Ss	8
▲	20 1037032	(000000–	) Housing, Bottom	1
▲	21 1054776	(000000–	) Grommet, Blind	1

**Fig. 12 – Seat Breakdown, 9018721**

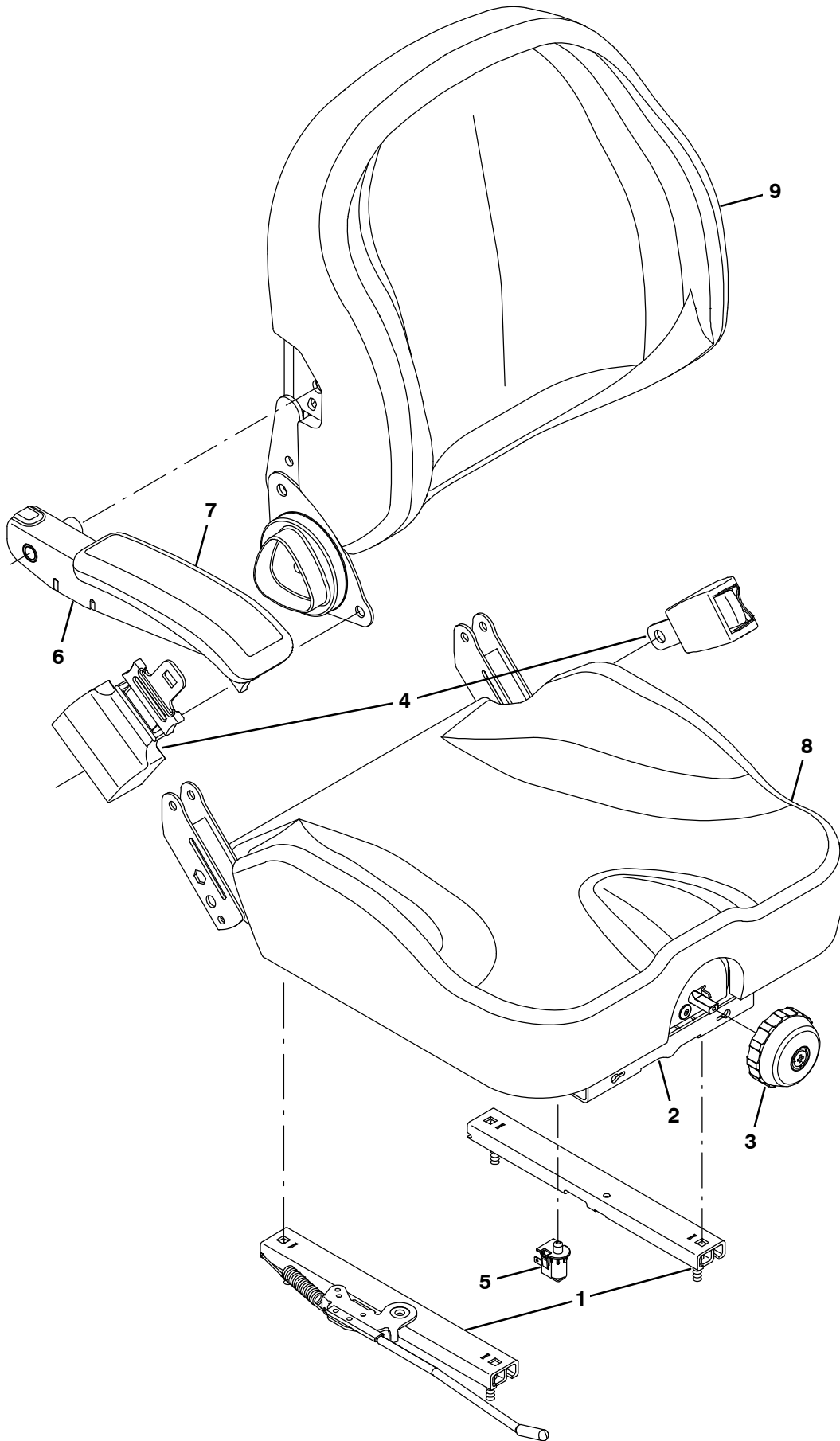


Fig. 12 – Seat Breakdown, 9018721

	Ref.	Part No.	Serial Number	Description	Qty.
▽		9018721	(000000–	) Seat, Deluxe, Replmt [M20/T20/M30]	1
▲	1	9012585	(000000–	) Track Assy, Slide	1
▲	2	9012587	(000000–	) Bellows, Seat	1
▲	3	9012589	(000000–	) Knobs, Adjmt, Weight	1
▲	4	9018734	(000000–	) Seatbelt, Retract, Orange, Replmt	1
▲	5	9012591	(000000–	) Switch, Seat	1
▲	6	9012592	(000000–	) Armrest	1
▲	7	9012593	(000000–	) Pad, Armrest	1
▲	8	9012594	(000000–	) Cover, Cushion	1
▲	9	9012595	(000000–	) Cover, Backrest	1

**Fig. 13 – Steering Gearbox Breakdown, 9015636**

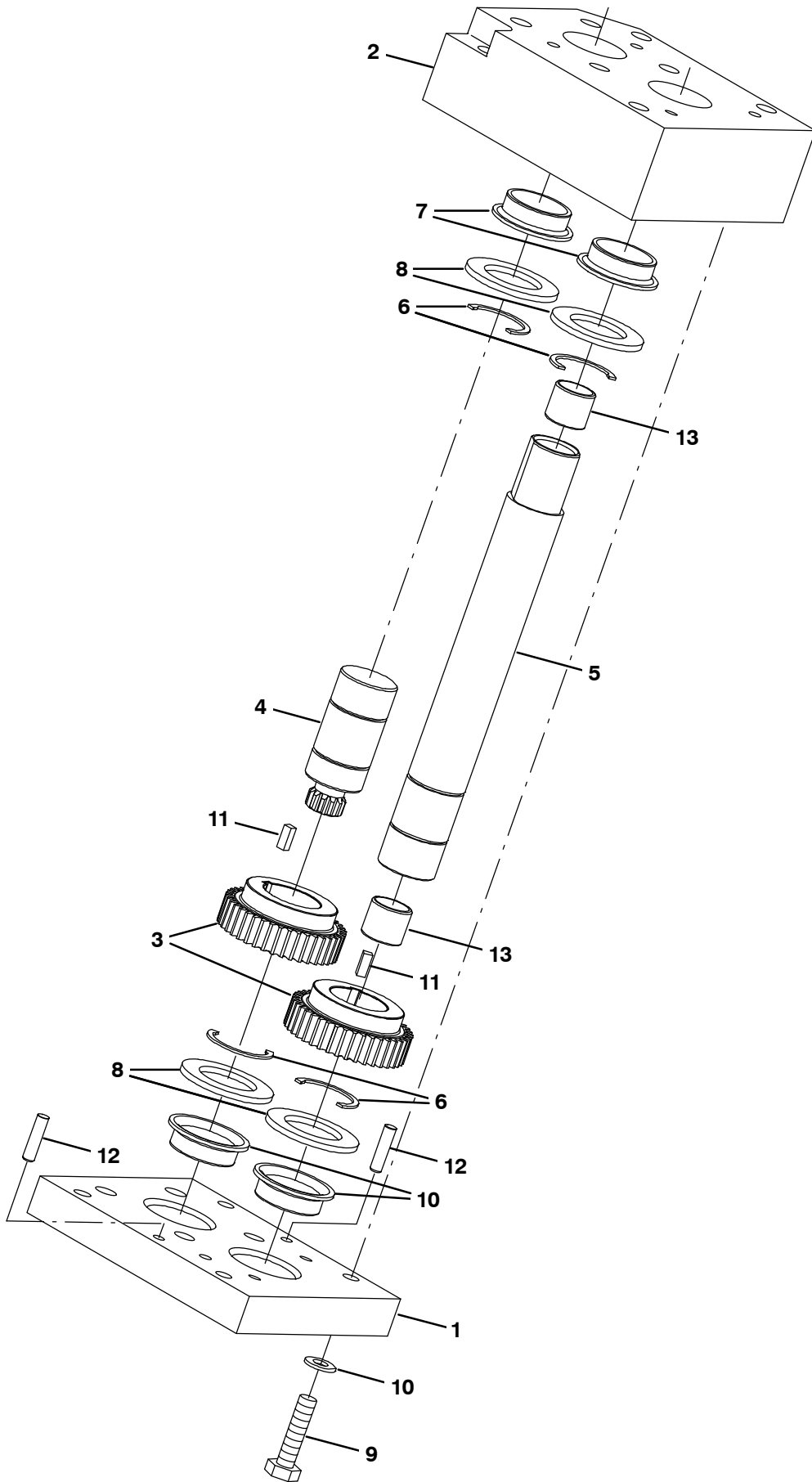
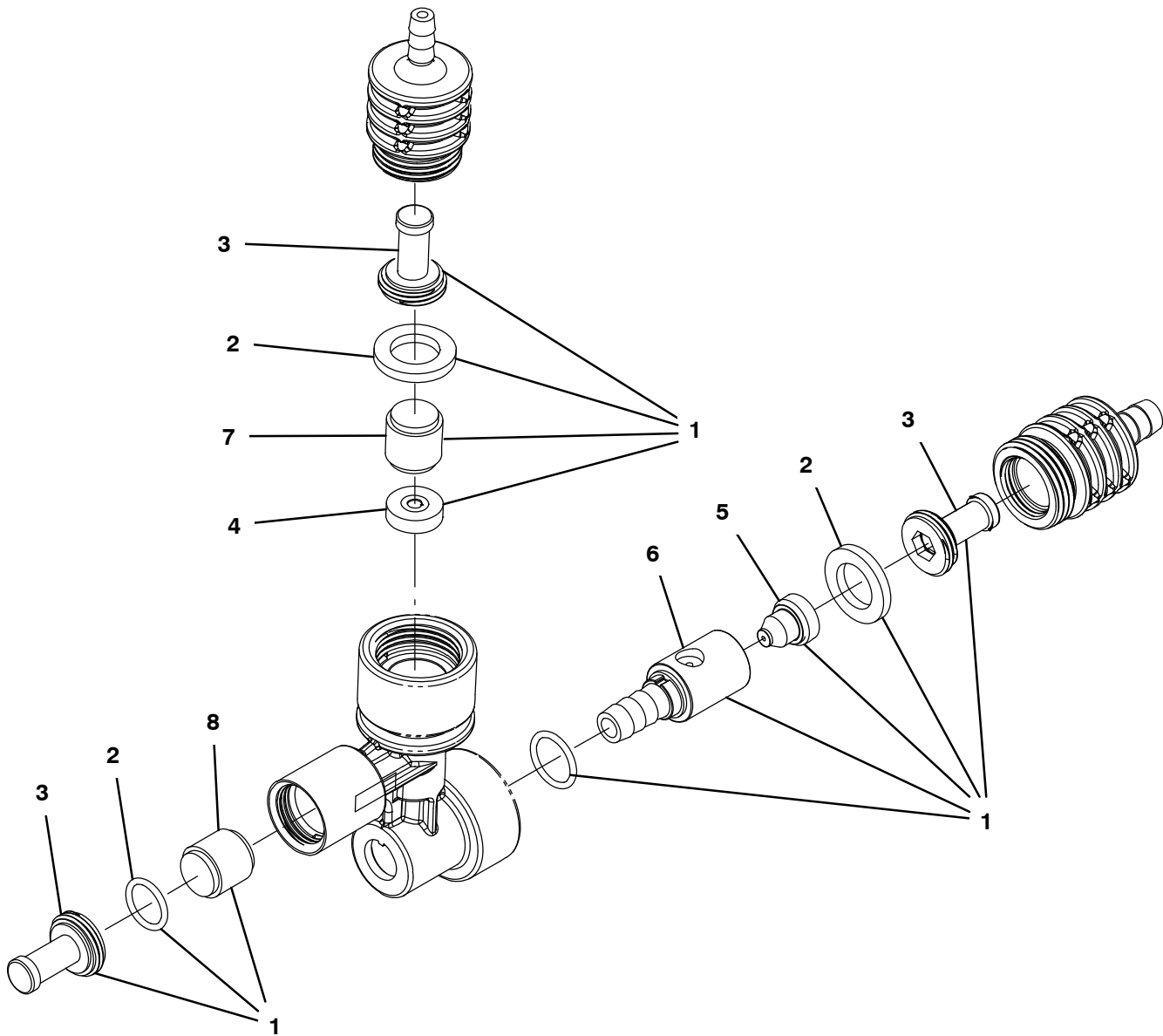




Fig. 13 – Steering Gearbox Breakdown, 9015636

	Ref.	Part No.	Serial Number	Description	Qty.
▽		9015636	(000000–	) Gearbox Kit, Steering, Afmkt[M20/30/T20]	1
▲	1	1224091	(000000–	) Housing, Gear, Top	1
▲	2	1224092	(000000–	) Housing, Gear, Bottom	1
▲	3	1222953	(000000–	) Gear, Steering	2
▲	4	1224093	(000000–	) Shaft, Gear, Orbital	1
▲	5	1224094	(000000–	) Shaft. Sterring	1
▲	6	59861	(000000–	) Ring, Retaining, Ext, 1.25d	4
▲	7	1210624	(000000–	) Bushing, Flng, 1.25b 1.41d 0.50l	4
▲	8	763024	(000000–	) Washer, Thrust, 1.26b 1.97d 0.13, Bnz	4
▲	9	41342	(000000–	) Screw, Hex, M8 X 1.25 X 40, 8.8	4
▲	10	39349	(000000–	) Washer, Flat, 0.31, Sae	4
▲	11	00961	(000000–	) Key, Sq, 0.19 X 0.19, 0.50l	2
▲	12	83043	(000000–	) Pin, Dowel, 0.2502d X 1.00l	2
▲	13	1057785	(000000–	) Bearing, Journal, 0.75b 0.88d 0.75l	2

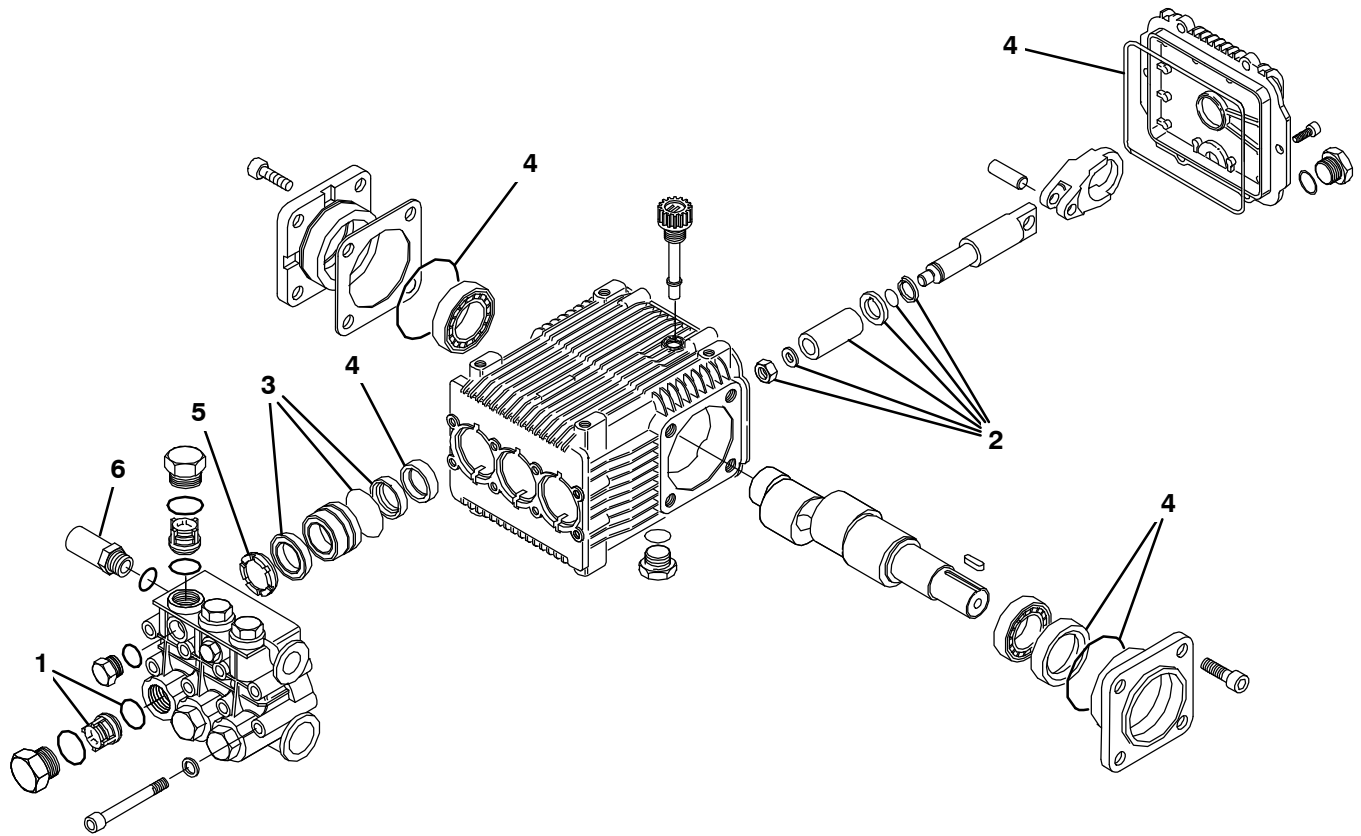
**Fig. 14 – FaST Injector Assembly Breakdown, 9008868**



356271

Ref.	Part No.	Serial Number	Description	Qty.	
▽	9008868	(000000–	) FaST Kit, Injector [M20/T20/m30 FaST III}	1	
▲▽	1	9008757	(000000–	) FaST Kit, Ci [inj Reblid, M30/M20 III]	1
▲▲	2	9008848	(000000–	) FaST Kit, Seal, injector, Ci [FaST III]	1
▲▲	3	9003009	(000000–	) FaST Kit, Ci, Injector Filters[FaST li+]	1
▲▲	4	1059878	(000000–	) Plate Assy, Orifice, 0.0105ld, Green	1
▲▲	5	1042710	(000000–	) Plug, Orifice, 0.060, Ss [FaST li+]	1
▲▲	6	1059234	(000000–	) Insert, :Lrg [Venturi, FaST III]	1
▲▲	7	1030444	(000000–	) Valve, Check, 0002psi [FaST li+]	1
▲▲	8	1030441	(000000–	) Valve, Check, 0005psi [FaST li+]	1

**Fig. 15 – Water Pump Motor Breakdown, 1225829**



354649

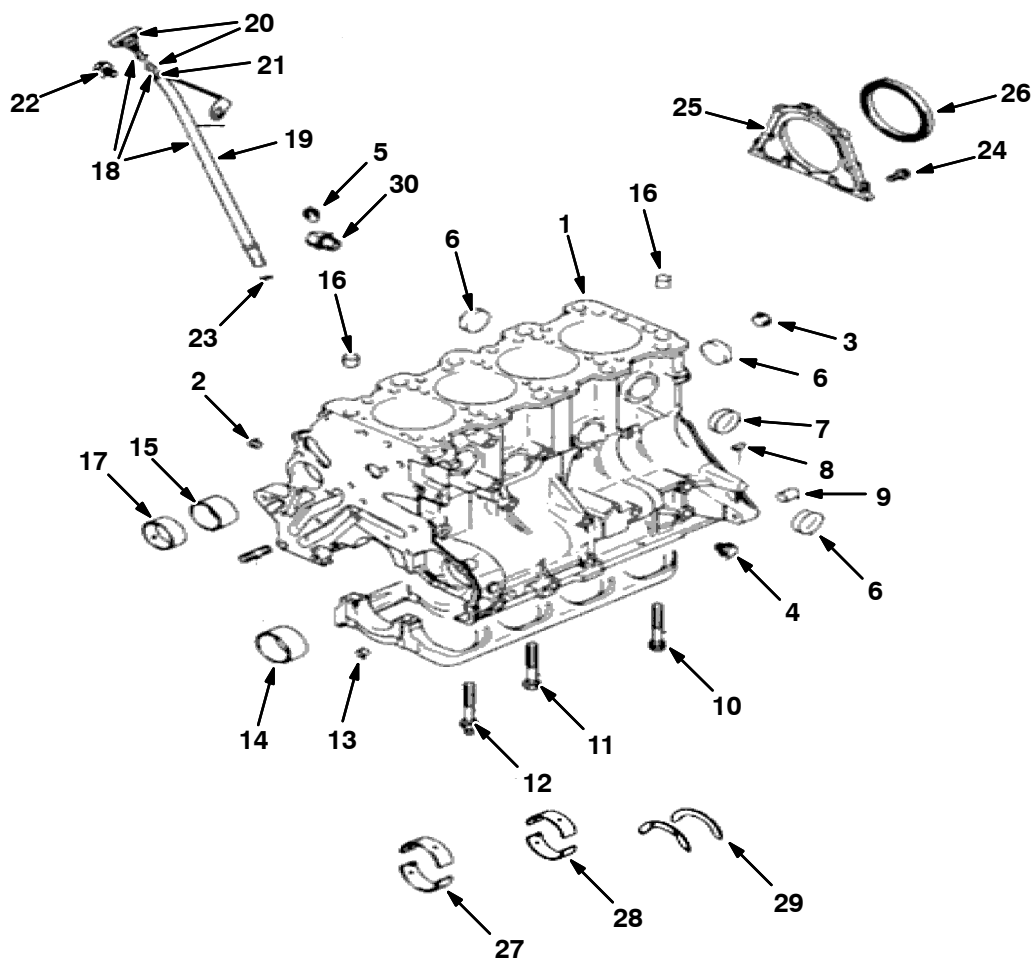
Ref.	Part No.	Serial Number	Description	Qty.
▽	1225829	(000000–	) Pump, Hyd, Press Washer	1
▲	1 9004290	(000000–	) Valve Kit	1
▲	2 9004291	(000000–	) Piston Kit	1
▲	3 9004288	(000000–	) Seal Kit [Buna]	1
▲	3 9004272	(000000–	) Seal Kit [Vitron]	1
▲	4 9004289	(000000–	) Seal Kit, Oil	1
▲	5 9004292	(000000–	) Ring Kit, Spt	1
▲	6 1227137	(000000–	) Valve, Hyd, Press Washer	1



SECTION 5

Contents	Page
Fig. 1 – Cylinder Block Group .....	5-2
Fig. 2 – Rocker Cover Group .....	5-4
Fig. 3 – Cylinder Head Group .....	5-5
Fig. 4 – Front Cover and Oil Pan Group ....	5-6
Fig. 5 – Camshaft and Valve Group .....	5-8
Fig. 6 – Piston and Crankshaft Group .....	5-10
Fig. 7 – Balancer Group .....	5-11
Fig. 8 – Oil Pump and Pressure Switch Group .....	5-12
Fig. 9 – Water Pump Group .....	5-13
Fig. 10 – Intake Manifold Gasket Group ...	5-14
Fig. 11 – Exhaust Manifold Gasket Group ..	5-16
Fig. 12 – Fan Tensioner and Pump Mount Group .....	5-17
Fig. 13 – Flywheel Group .....	5-18
Fig. 14 – Ignition Coil and Spark Plug Group .....	5-19
Fig. 15 – Starter / Alternator Group .....	5-20
Fig. 16 – Remote Oil Filter Group .....	5-21
Fig. 17 – Coolant Group .....	5-22
Fig. 18 – DSR Coolant Group, LPG Engine	5-23
Fig. 19 – Electrical Group .....	5-24
Fig. 20 – Fuel Rail Group, Gasoline Engine	5-26
Fig. 21 – Throttle Body Group, Gasoline Engine .....	5-27
Fig. 22 – Throttle Body Group, LPG Engine	5-28
Fig. 23 – Vaporizer Group, LPG Engine ...	5-29
Fig. 24 – Electronic Pressure Regulator (EPR) Group, LPG Engine .....	5-30

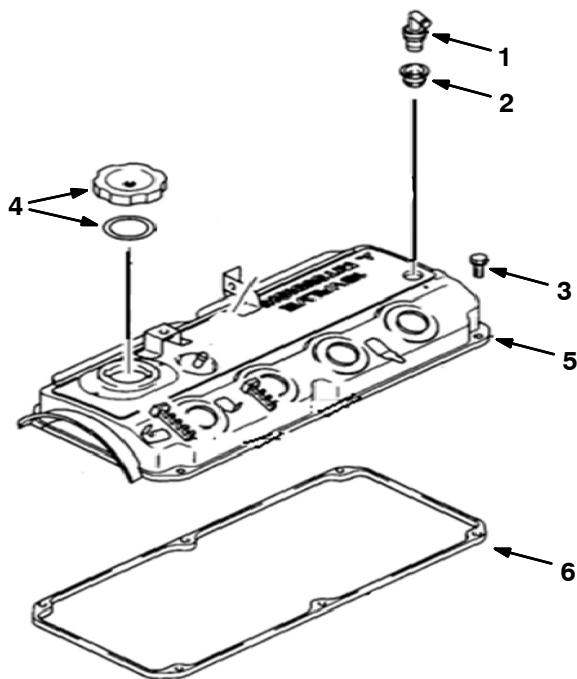
Fig. 1 - Cylinder Block Group



**Fig. 1 – Cylinder Block Group**

	<b>Ref.</b>	<b>Part No.</b>	<b>Description</b>	<b>Qty.</b>
▽	1	9010419	Block Assy, Cylinder	1
▲	2	9010420	Plug, Taper	2
▲	3	9010421	Plug, Taper	1
▲	4	9010422	Plug	1
▲	5	9010423	Plug, Taper	1
▲	6	9010424	Cap, Seal	7
▲	7	9010425	Cap, Seal	2
▲	8	9010426	Pin, Dowel	2
▲	9	9010427	Bushing, Knock	2
▲	10	9010428	Bolt, Cap, Bearing	2
▲	11	9010429	Bolt, Cap, Bearing	7
▲	12	9010430	Bolt, Cap, Bearing	1
▲	13	9010431	Bushing	2
▲	14	9010432	Bearing, Std, Balancer	1
▲	14	9010433	Bearing, Oversize [1.0]	1
▲	15	9010434	Bearing, Std, Balancer	1
▲	15	9010435	Bearing, Oversize [1.0]	1
▲	16	9010436	Bushing, Knock	2
▲	17	9010458	Bearing, Shaft, Std, Balancer	1
▲	17	9010459	Bearing, Shaft, Balancer [ OvrSz]	1
▽	18	9010439	Dipstick Assy, Guage	1
▲	19	9010440	Dipstick, Guage, Guide	1
▲▽	20	9015866	Dipstick, Oil	1
▲▲	21	9010438	O-Ring	1
	22	9010441	Bolt, Flange	1
	23	9010442	O-Ring	1
	24	9010444	Bolt, Flange	5
	25	9010445	Seal, Case, Oil, Rear	1
	26	9010446	Seal, Oil	1
	27	9010447	Bearing, Cshft [Green Std 1,2,4,5]	4
	27	9010448	Bearing, Cshft [Yellow Std 1,2,4,5]	4
	27	9010449	Bearing, Cshft[No Color Std 1,2,4,5]	4
	27	9010450	Bearing, Cshft [ Lan Std 1,2,4,5]	4
	27	9010451	Bearing, Cshft [ Red Std 1,2,4,5]	4
	28	9010452	Bearing, Cshft [ Green Std 3]	1
	28	9010453	Bearing, Cshft [ Yellow Std 3]	1
	28	9010454	Bearing, Cshft [ No Color Std 3]	1
	28	9010455	Bearing, Cshft [ Lan Std 3]	1
	28	9010456	Bearing, Cshft [ Black Std 3]	1
	29	9010457	Bearing, Thrust, Cshft	1
	30	9010443	Drain, Water, Joint	1

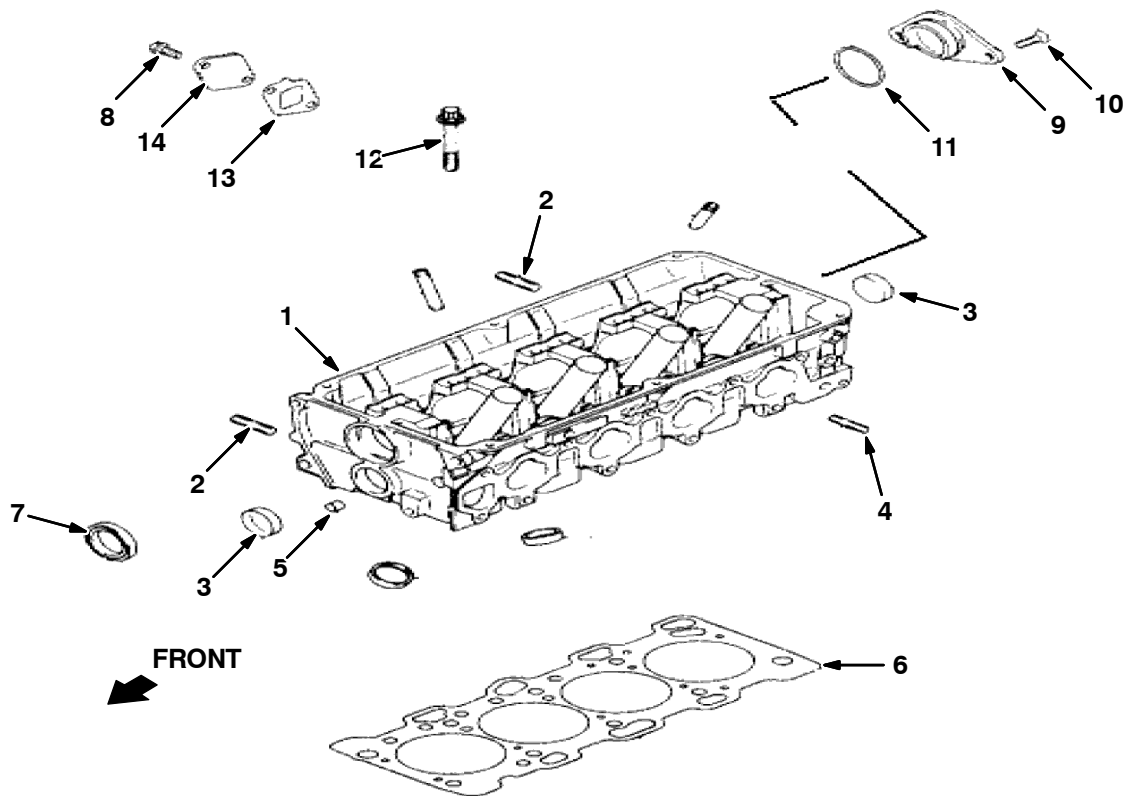
Fig. 2 – Rocker Cover Group



Ref.	Part No.	Description	Qty.
1	9010460	Valve, Pcv	1
2	9010461	Valve, Gasket, Pcv	1
3	9010462	Bolt, Rocker, Cover	6
4	9010464	Cap, Oil, Filler	1
5	9010466	Cover Assy, Rocker	1
6	9010465	Gasket, Cover, Rocker	1

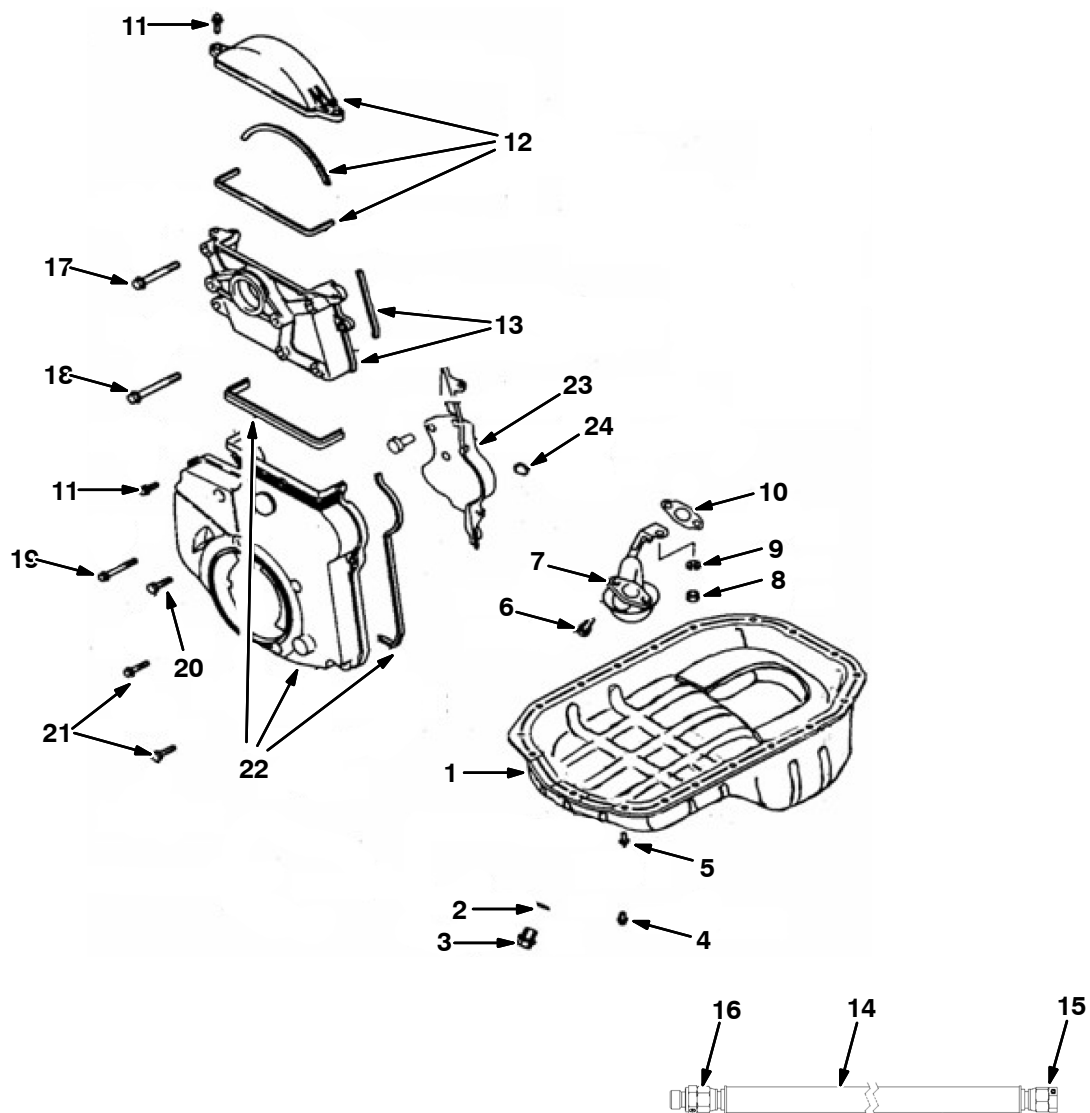


Fig. 3 – Cylinder Head Group



Ref.	Part No.	Description	Qty.	
▽	1	9014162	Head Kit, Cyl [Mitsubishi 2015 12mm]	1
▲▽		9014161	Head Assy, Cylinder[Mits 2015 12mm]	1
▲▲	2	9010473	Stud	2
▲▲	3	9010469	Seal, Cap	2
▲▲	4	9010470	Stud	3
▲▲	5	9010431	Bushing	2
▲	6	9010468	Gasket, Cylinder, Head	1
▲		9010465	Gasket, Cover, Rocker	1
▲		9014160	Plug, Spark [Mitsubishi 2015 12mm]	4
	7	9010471	Seal, Cam Shaft, Front	1
	8	9010441	Bolt, Flange	2
	9	9010480	Thurst, Case	1
	10	9010481	Screw	2
	11	9010482	O-Ring	1
	12	9010484	Cylinder Assy, Head, Bolt	10
	13	9010483	Gasket	1
	14	9010485	Cover	1

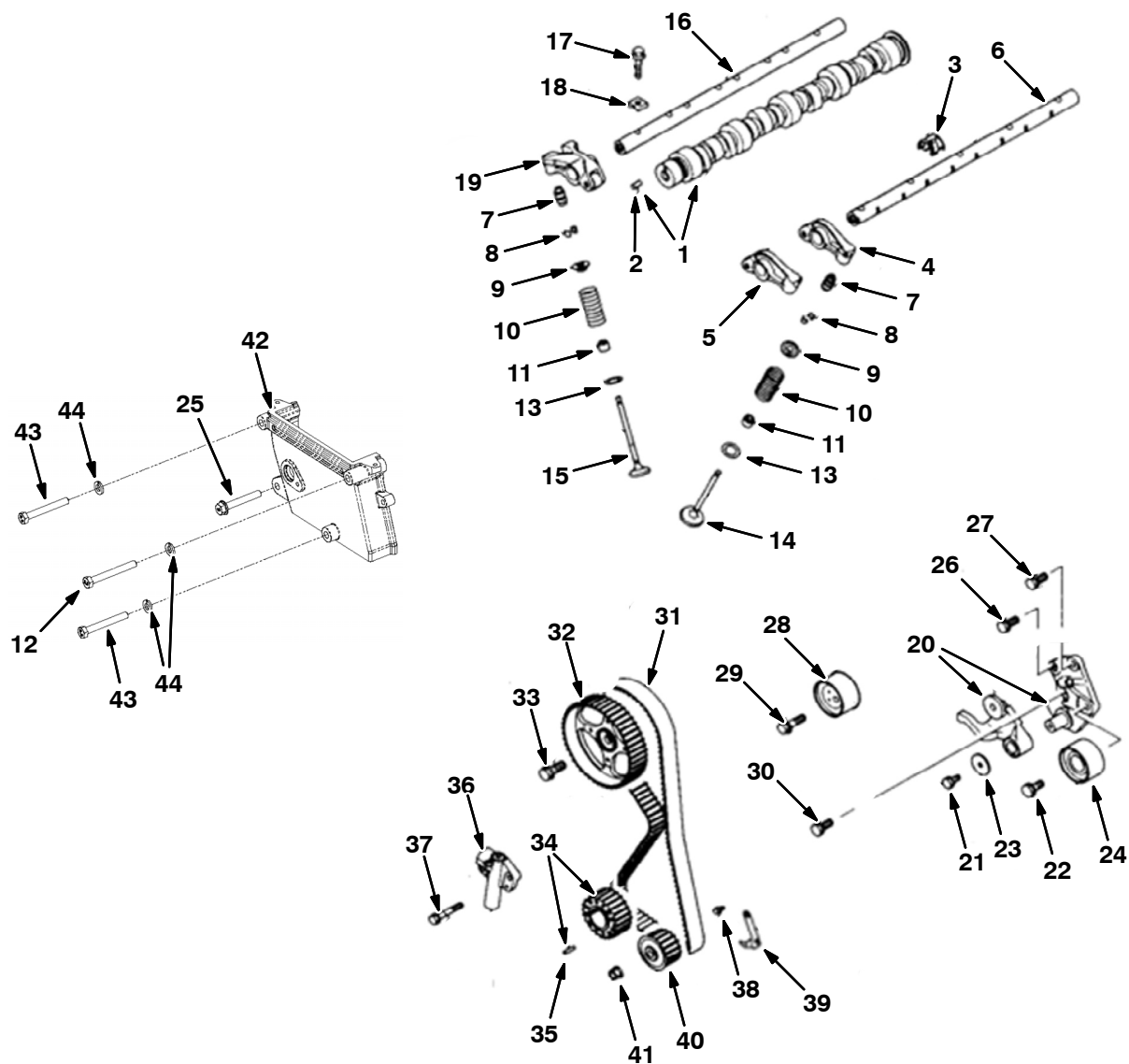
## Fig. 4 - Front Cover and Oil Pan Group



**Fig. 4 – Front Cover and Oil Pan Group**

	<b>Ref.</b>	<b>Part No.</b>	<b>Description</b>	<b>Qty.</b>
▽	1	9010487	Pan, Oil	1
▲	2	9010488	Gasket, Plug, Drain, Oil	1
▲	3	9010489	Plug, Oil, Drain	1
	4	9010490	Bolt, Flange	17
	5	9010491	Bolt, Flange	2
	6	9010492	Washer, Bolt	2
	7	9010493	Screen, Oil	1
	8	9010494	Nut, Strainer	1
	9	9010495	Washer, Strainer	1
	10	9010496	Gasket, Screen	1
	11	9010497	Bolt, Flange	8
	12	9010498	Cover Assy, Front, Upper [T-Belt]	1
	13	9010502	Bracket Assy, Coil, Ignition	1
	14	9010311	Hose, Drain, Oil [Mit 20/24m]	1
	15	9010312	Plug, Flare, 37deg [Mit]	1
	16	9010313	Fitting, 37deg [Mit]	1
	17	9010503	Bolt, Flange	3
	18	9010504	Bolt, Flange	1
	19	9010505	Bolt, Flange	1
	20	9010506	Bolt	2
	21	9010507	Bolt	2
	22	9010508	Cover, Lower, Front [T-Belt]	1
	23	9010511	Cover, Rear [T-Belt]	1
	24	9010512	Plug, Rubber	1

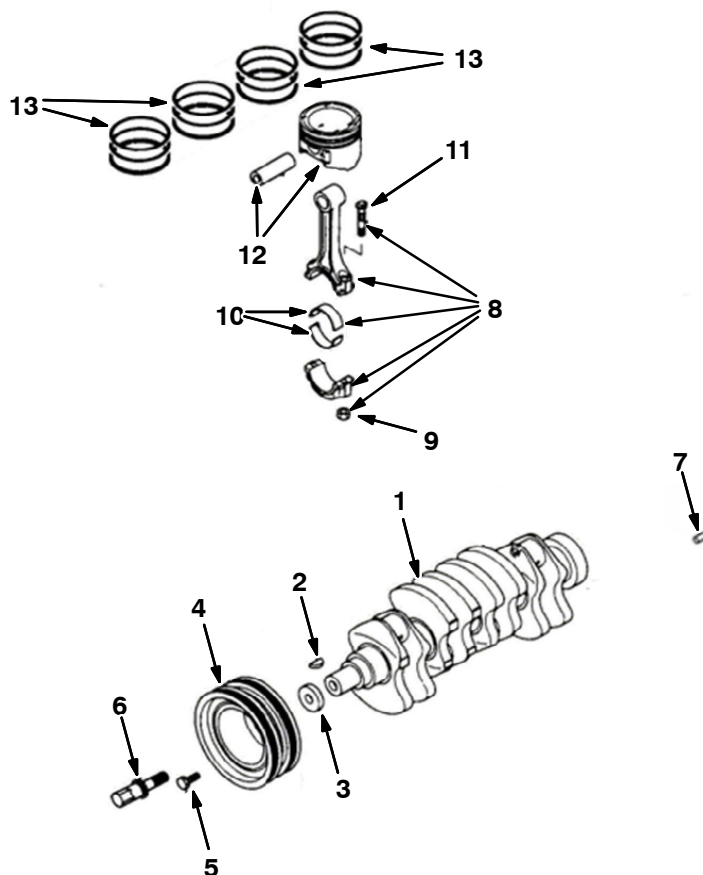
Fig. 5 - Camshaft and Valve Group



**Fig. 5 – Camshaft and Valve Group**

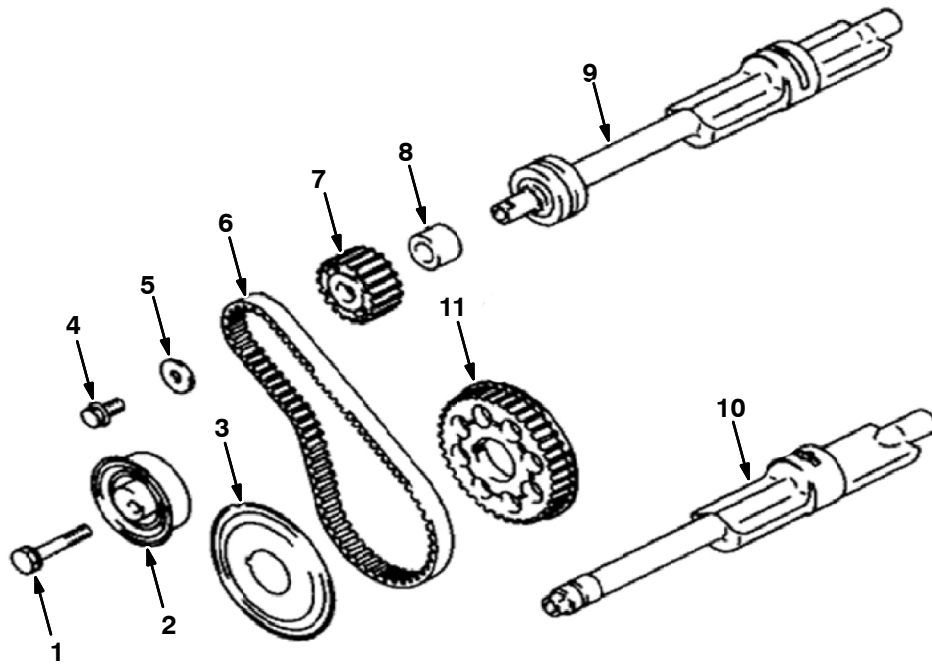
	<b>Ref.</b>	<b>Part No.</b>	<b>Description</b>	<b>Qty.</b>
▽	1	9010530	Camshaft Assy	1
▲	2	9010535	Pin, Dowel	1
	3	9010532	Shaft, Spring, Rocker	4
	4	9010533	Arm Assy, Rocker [B]	4
	5	9010534	Arm Assy, Rocker [A]	4
	6	9010531	Shaft, Arm , Rocker	1
	7	9010536	Adjuster Assy, Lash	16
	8	9010537	Valve, Spring, Lock	32
	9	9010538	Valve, Spring, Retainer	16
	10	9010539	Valve, Spring	16
	11	9010540	Valve, Seal, Stem	16
	12	9010253	Bolt, M8-1.25 X 70 Hxhd [Mit]	1
	13	9010541	Valve, Spring, Seat	16
	14	9010542	Valve, Inlet	8
	15	9010543	Valve, Exhaust	8
	16	9010544	Shaft, Arm, Rocker	1
	17	9010545	Bolt, Flange	13
	18	9010546	Shaft, Cap, Rocker	13
	19	9010547	Arm Assy, Rocker [C]	4
▽	20	9010548	Bracket, Pulley, Tensioner	1
▲	21	9010549	Bolt, Washer	1
▲	22	9010550	Bolt, Washer	1
▲	23	9010551	Washer	1
▲	24	9010552	Pulley, Idler	1
	25	9010254	Bolt, M8-1.25 X 55 Fi Hd [Mit]	1
	26	9010554	Bolt, Seal	1
	27	9010555	Bolt, Washer	1
	28	9010556	Pulley, Tensioner	1
	29	9010557	Bolt, Washer	1
	30	9010550	Bolt, Washer	1
	31	9010559	Belt, Timing	1
	32	9010560	Sprocket, Camshaft	1
	33	9010561	Bolt, Flange	1
▽	34	9010562	Sprocket Assy, Cshft	1
▲	35	9010563	Pin, Spring	1
	36	9010564	Tensioner	1
	37	9010565	Bolt, Flange	2
	38	9010491	Bolt, Flange	2
	39	9010567	Bracket, Indicator, Timing	1
	40	9010568	Sprocket, Pump, Oil	1
	41	9010569	Nut	1
	42	9010250	Cover, Timing, Gear [Mit 2.0/2.4]	1
	43	9010251	Bolt, M8-1.25 X 65 Hxhd [Mit]	2
	44	9010252	Washer, Lock, M8 [Mit]	3

Fig. 6 – Piston and Crankshaft Group



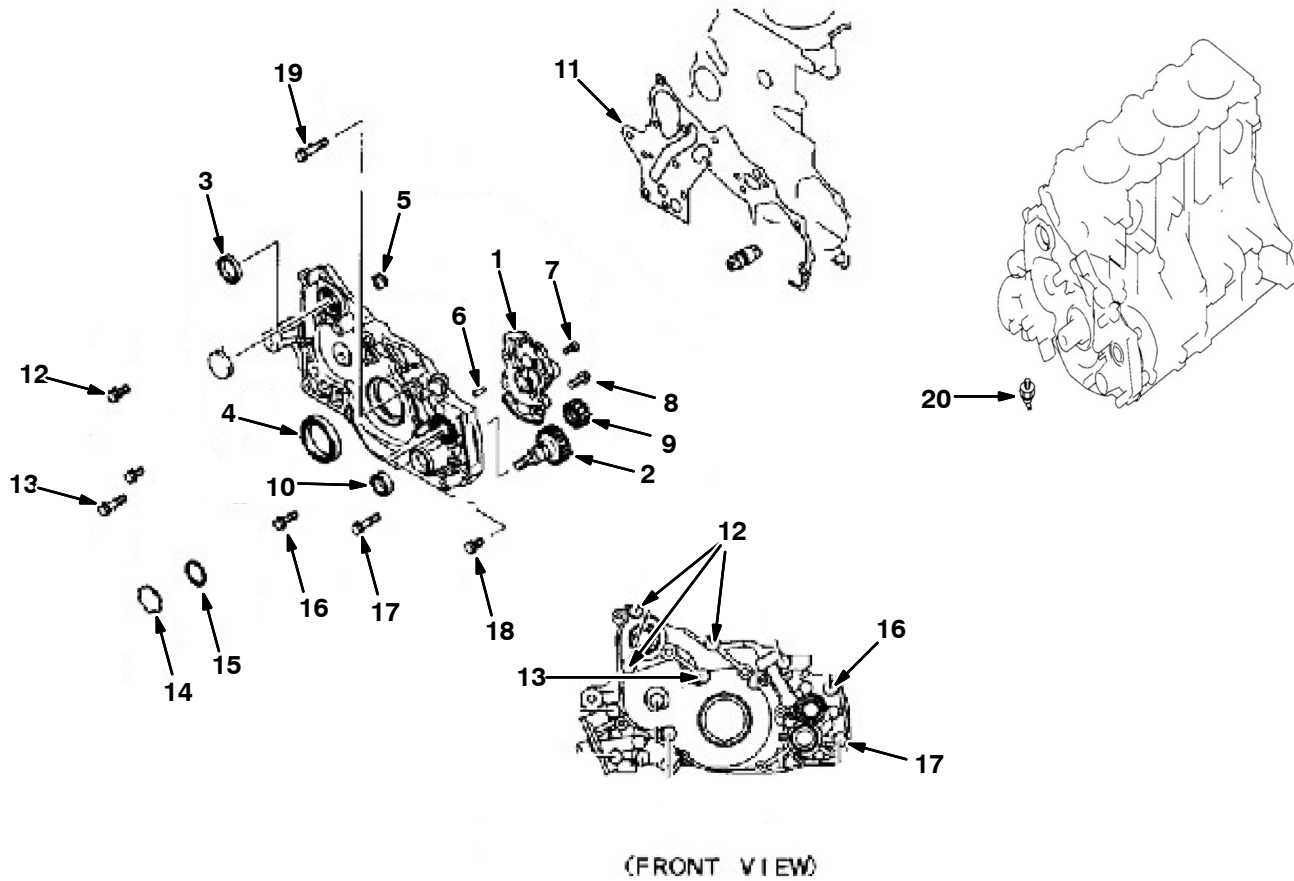
Ref.	Part No.	Description	Qty.	
1	9010513	Crankshaft Assy	1	
2	9010514	Key	1	
3	9010515	Washer, Special	1	
4	9010516	Pulley Assy, Damper, Torsional	1	
5	9010517	Bolt, Washer	4	
6	9010518	Bolt, Sprocket, Cshft	1	
7	9010519	Pin, Dowel	1	
▽	8	9010520	Rod Assy, Connecting	4
▲	9	9010521	Nut	8
▲	10	9010522	Bearing, Rod, Connect [Yellow Std]	4
▲	10	9010523	Bearing, Rod, Connect [No Color Std]	4
▲	10	9010524	Bearing, Rod, Connect [ Lan Std]	4
▲	11	9010525	Bolt, Connecting	8
12	9010526	Piston, Pin [Std A]	4	
12	9010527	Piston, Pin [Std B]	4	
12	9010528	Piston, Pin [Std C]	4	
13	9010529	Piston Set, Ring	1	

Fig. 7 – Balancer Group



Ref.	Part No.	Description	Qty.
1	9010570	Bolt, Belt, Balancer, Train	1
2	9010571	Tensioner, Timing, Belt	1
3	9010572	Flange, Sprocket, Cshft	1
4	9010600	Bolt, Flange	1
5	9010574	Washer, Belt, Balancer, Train	1
6	9010575	Belt, Timing	1
7	9010576	Sprocket, Shaft, Balancer	1
8	9010577	Spacer, Belt, Balancer, Train	1
9	9010578	Shaft, Right, Balancer	1
10	9010579	Shaft, Left, Balancer	1
11	9010580	Sprocket, Cshft	1

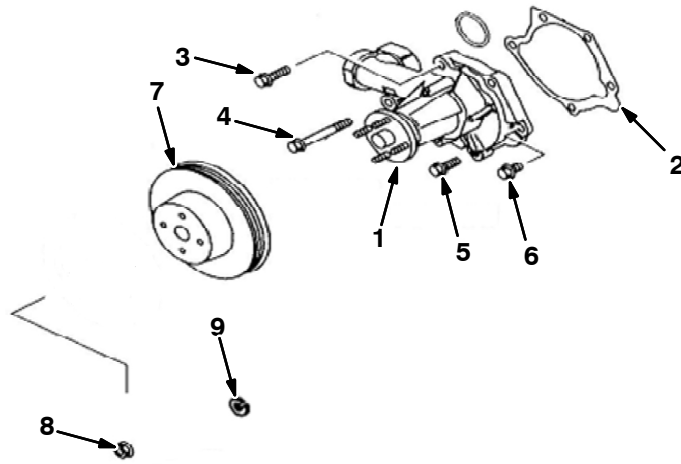
Fig. 8 – Oil Pump and Pressure Switch Group



Ref.	Part No.	Description	Qty.	
▽	1	9010582	Pump, Oil	1
▲	2	9010592	Pump, Gear, Drive, Oil	1
▲	3	9010585	Seal, Oil	1
▲	4	9010586	Seal, Oil	1
▲	5	9010587	Plug, Tapper	1
▲	6	9010426	Pin, Dowel	2
▲	7	9010589	Screw	1
▲	8	9010590	Bolt, Flange	4
▲	9	9010591	Pump, Gear, Oil	1
▲	10	9010601	Seal, Oil	1
	11	9010593	Gasket, Case, Front	1
	12	9010594	Bolt, Washer	3
	13	9010595	Bolt, Washer	1
	14	9010596	Plug, Cap	1
	15	9010597	O-Ring	1
	16	9010598	Bolt, Flange	1
	17	9010599	Bolt, Flange	1
	18	9010600	Bolt, Flange	1
	19	9010583	Bolt, Flange	1
	20	9010259	Sender, Oil, Press [Mit] (3 Prong)	1

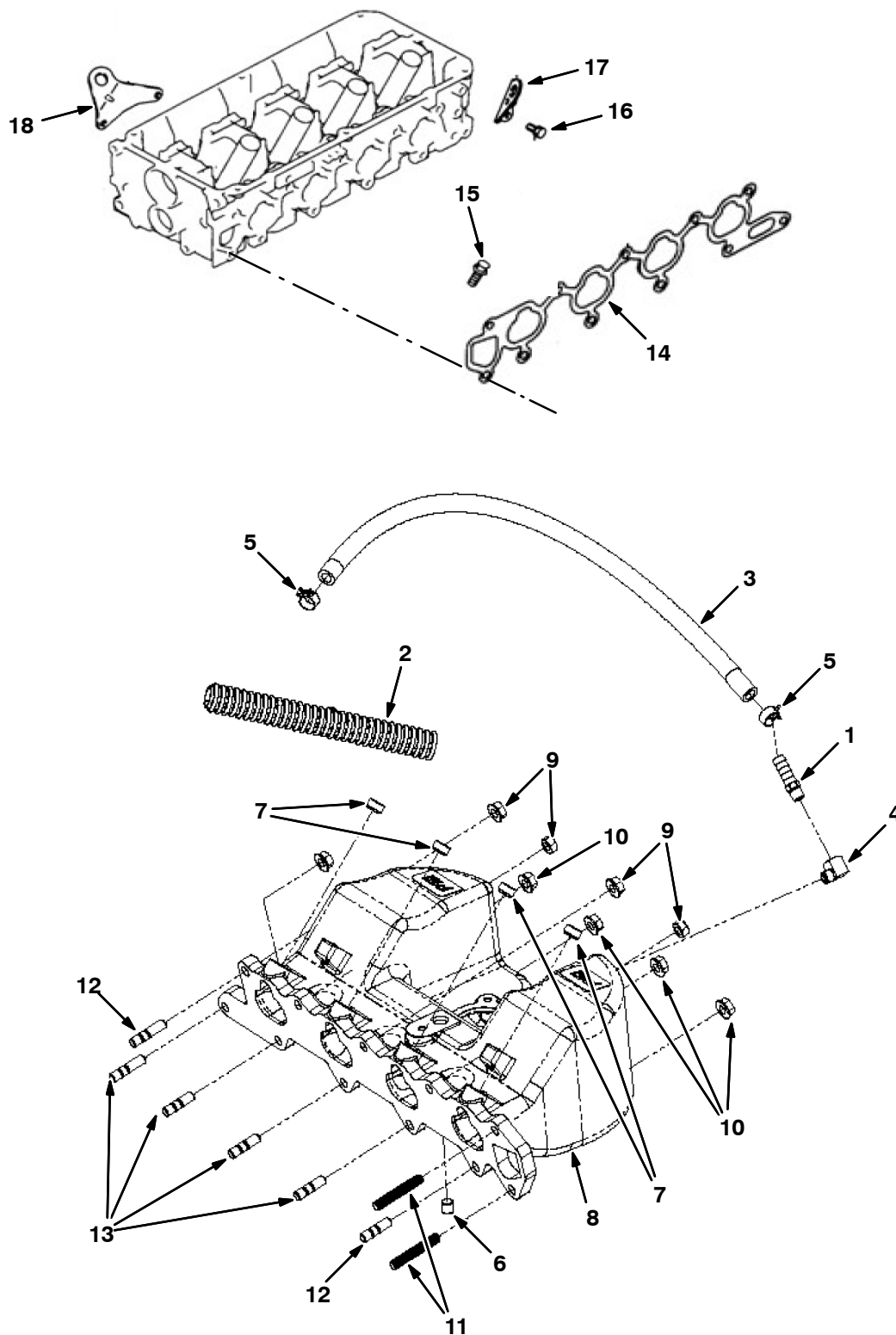


Fig. 9 - Water Pump Group



Ref.	Part No.	Description	Qty.
1	9010602	Pump, Water	1
2	9010603	Gasket, Pump, Water	1
3	9010604	Bolt, Flange	1
4	9010503	Bolt, Flange	1
5	9010606	Bolt, Flange	2
6	9010607	Bolt, Flange	1
7	9010612	Pulley, Pump, Water	1
8	9010609	Nut, Flange	4
9	9010610	Washer, Spring	4

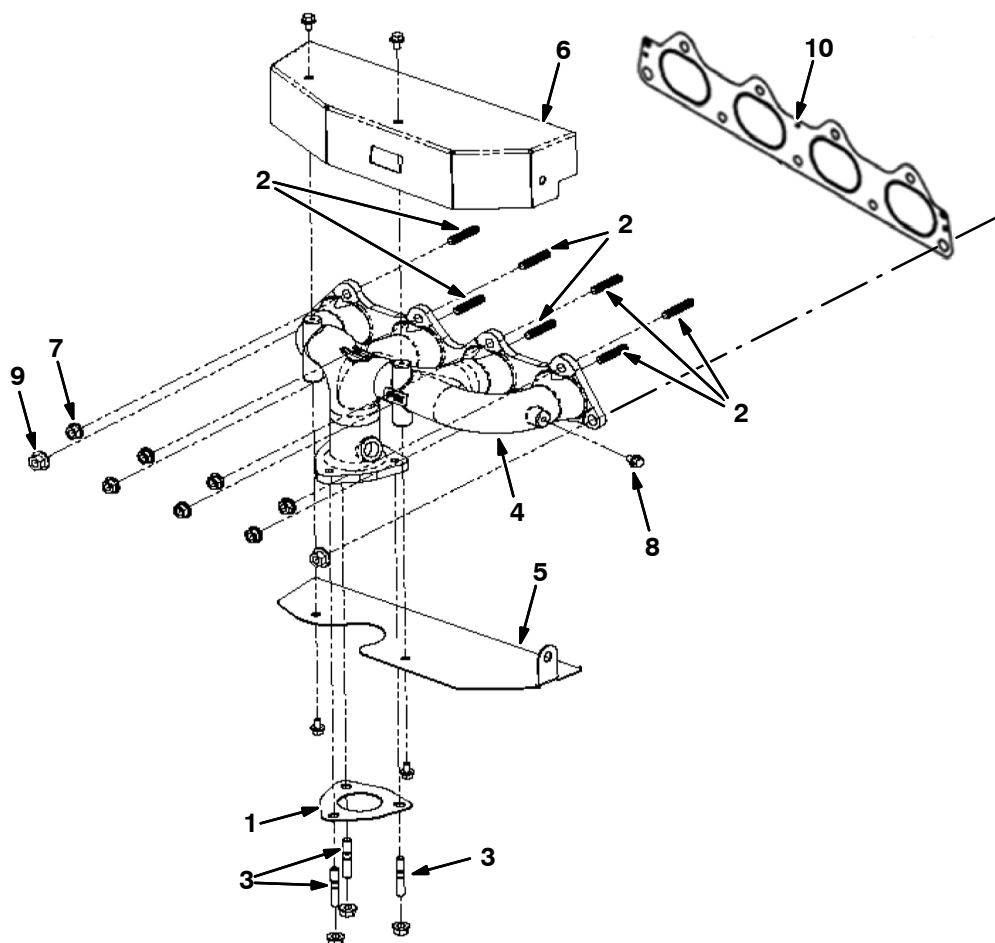
Fig. 10 - Intake Manifold Gasket Group



**Fig. 10 – Intake Manifold Gasket Group**

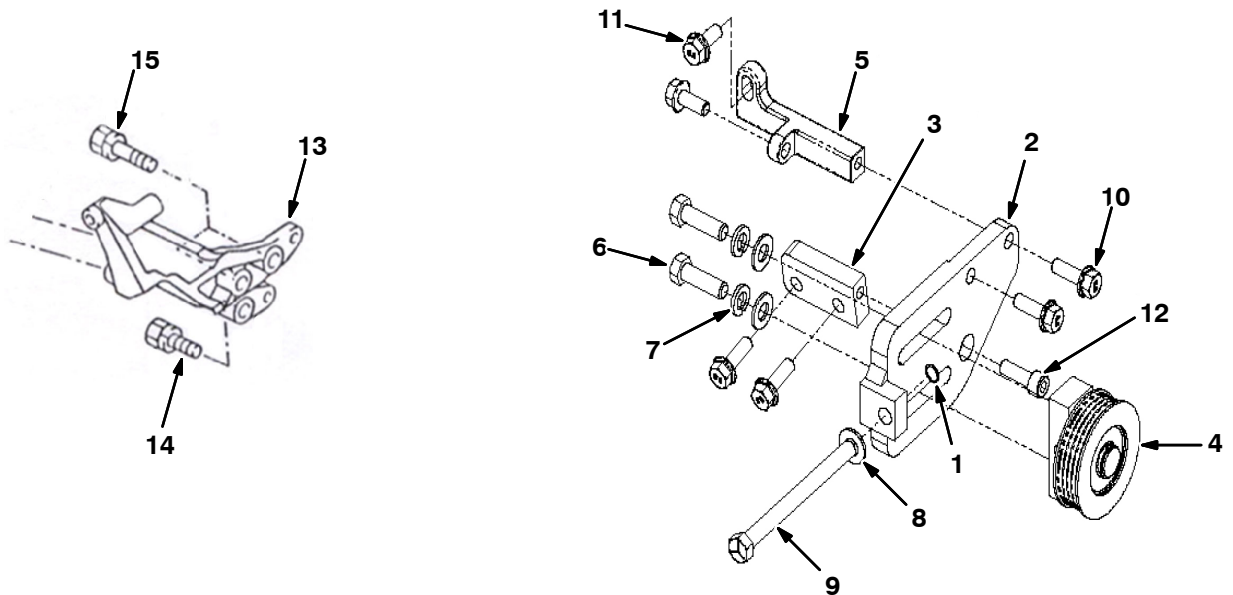
<b>Ref.</b>	<b>Part No.</b>	<b>Description</b>	<b>Qty.</b>
1	9010382	Fitting, 1/8 Mpt X 3/8 Hb [Mit]	1
2	9010281	Loom, Convolute, Split 5/8 [Mit]	17"
3	385001	Hose, Fuel, .38d, Rbr[16"L]	20"
4	9010383	Elbow, 1/8m X 1/8f, 90 [Mit]	1
5	9010282	Clamp, 3/8id [Mit Olive Green]	2
6	9010283	Plug, 1/8 Npt, Brs, Skt Hd [Mit]	1
7	9010284	Plug, Injector [Mit]	4
8	9010285	Manifold, Intake [Mit 20/24m Tilt]	1
9	9010286	Nut, M8-1.25 [Mit]	2
10	385015	Nut, Flng, M8	7
11	9010287	Stud, M8-1.25 X 50 Full Thrd [Mit]	2
12	9010288	Stud, M8-1.25 X 35 [Mit Double End]	2
13	9010384	Stud, M8-1.25 X 30 [Mit Double End]	4
14	9010613	Gasket, Manifold, Intake	1
15	9010606	Bolt, Flange	2
16	9010615	Bolt, Manifold, Inlet	1
17	9010617	Hanger, Engine	1
18	9010618	Hanger, Engine	1

**Fig. 11 – Exhaust Manifold Gasket Group**



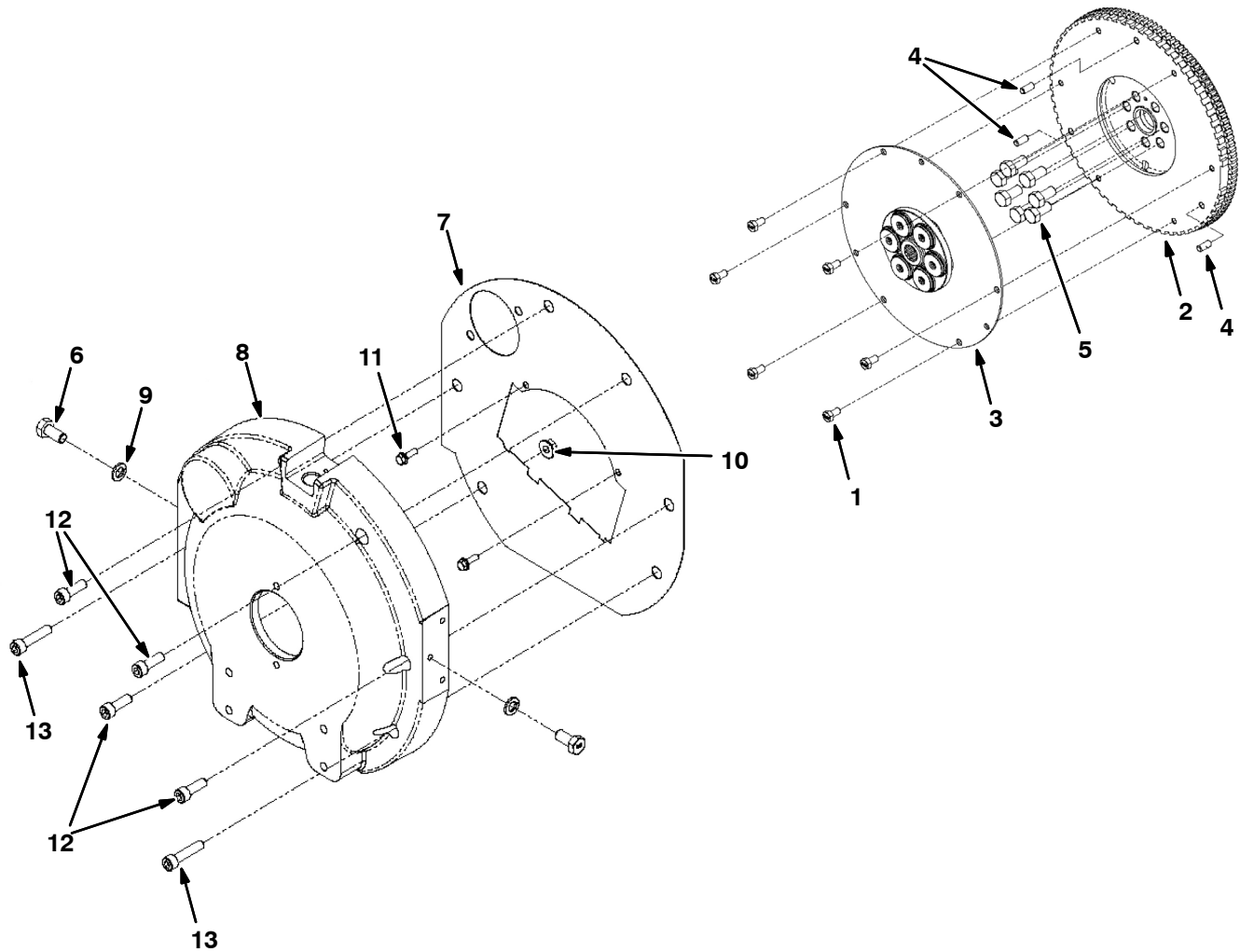
Ref.	Part No.	Description	Qty.
1	9010296	Gasket, Manifold, Exh [Mit]	1
2	9010297	Stud, M8-1.25 X 40 [Mit]	7
3	372020	Stud, Manifold, Intake, M8 X 28	3
4	9010298	Manifold, Exhaust [Mit 2.0/2.4]	1
5	9010302	Shield, Heat, Lower [Mit 20/24m]	1
6	9010303	Shield, Heat, Upper [Mit 20/24m]	1
7	9015915	Nut [2.4l Mit]	10
8	9010262	Bolt, M6-1.0 X 10 Fl Hd [Mit]	5
9	9015916	Nut [2.4l Mit]	2
10	9010619	Gasket, Manifold, Exhaust	1

Fig. 12 – Fan Tensioner and Pump Mount Group



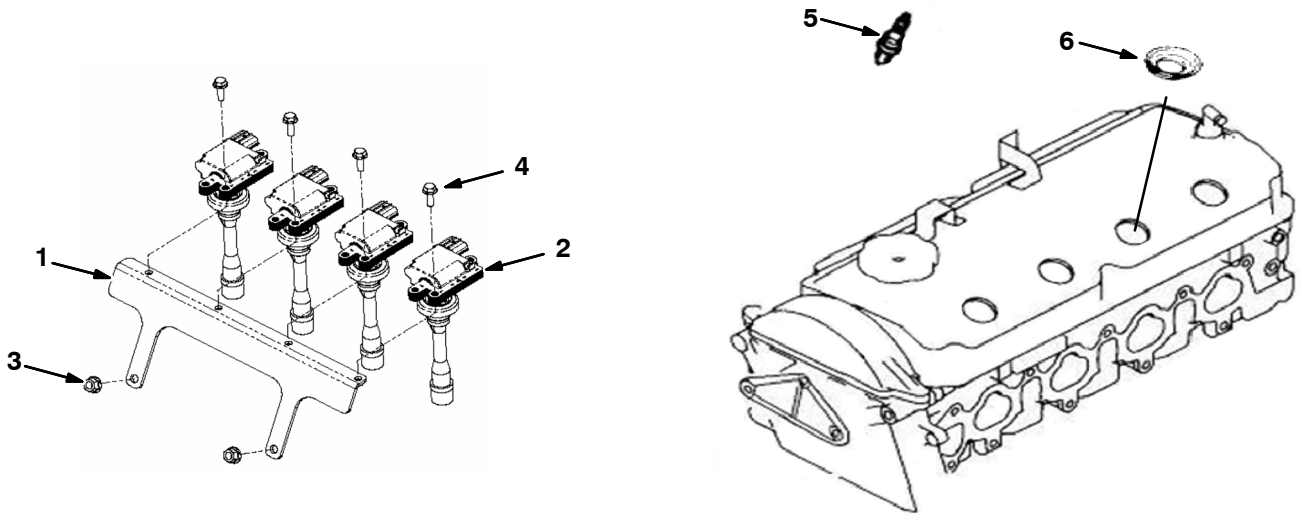
Ref.	Part No.	Description	Qty.
1	371562	Ring, Retaining	1
2	9010222	Plate, Tensioner, Adj [Mit 2.0/2.4]	1
3	9010223	Bar, Tensioner, Mtg [Mit 2.0/2.4]	1
4	9010224	Pulley, Tensioner, Assy[Mit2.0/2.4]	1
5	9010225	Bracket, Tensioner, [Mit 2.0/2.4]	1
6	9010226	Bolt, 3/8-16 X 1 1/4 Hxhd [Mit]	2
7	371509	Washer, Lock, 0.38	2
8	9010227	Washer, Flat 3/8, Sae	3
9	9010228	Bolt, 3/8-16 X 4.5 [Mit]	1
10	9010229	Bolt, M8-1.25 X 25 [Mit]	4
11	9010230	Bolt, M8-1.25 X 20 Fl Hd [Mit]	2
12	9010231	Bolt, M8-1.25 X 25 Soc Hd [Mit]	1
13	9010623	Bracket, Pump, Mtg	1
14	9010624	Bolt, Washer	1
15	9010625	Bolt, Washer	2

Fig. 13 – Flywheel Group



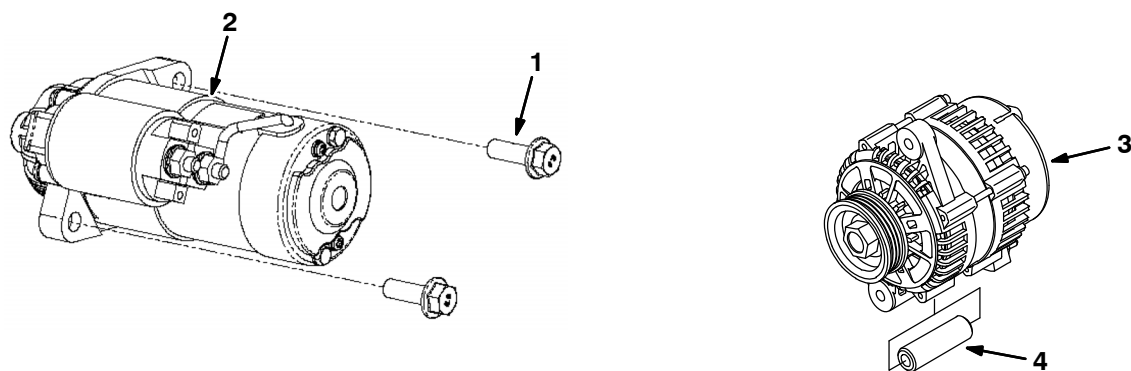
Ref.	Part No.	Description	Qty.
1	9010232	Bolt, M8-1.25 X 15, Hx Hd [Mit]	6
2	9010233	Flywheel, Flatface [Mit 20/24m]	1
3	9010234	Coupling, Flywheel [Mit20/24m]	1
4	9010235	Pin, Flywheel [Mit 20/20m]	3
5	9010236	Bolt, Flywheel [Mit 20/24m]	7
6	9010359	Bolt, M12-1.75 X 25, Hex Hd [Mit]	2
7	9010237	Cover, Dust [Mit 2.0]	1
8	9010238	Housing, Flywheel [Mit 2.0]	1
9	9010360	Washer, Lock, M12 [Mit]	2
10	9010239	Nut, M10-1.25 Flg [Mit]	1
11	9010240	Bolt, M6-1.0 X 20 FI Hd [Mit]	2
12	9010241	Bolt, M10-1.25 X 30 Soc Hd [Mit]	4
13	9010242	Bolt, M10-1.25 X 45 Soc Hd [Mit]	2

**Fig. 14 – Ignition Coil and Spark Plug Group**



Ref.	Part No.	Description	Qty.
1	9010243	Bracket, Coil [Mit 2.0/2.4]	1
2	9010244	Coil, Ignition [Mit 2.0/2.4]	4
3	385015	Nut, Flng, M8	2
4	9010240	Bolt, M6-1.0 X 20 Fl Hd [Mit]	4
5	9014160	Plug, Spark [Mitsubishi 2015 12mm]	4
6	9010479	Seal, Oil	4

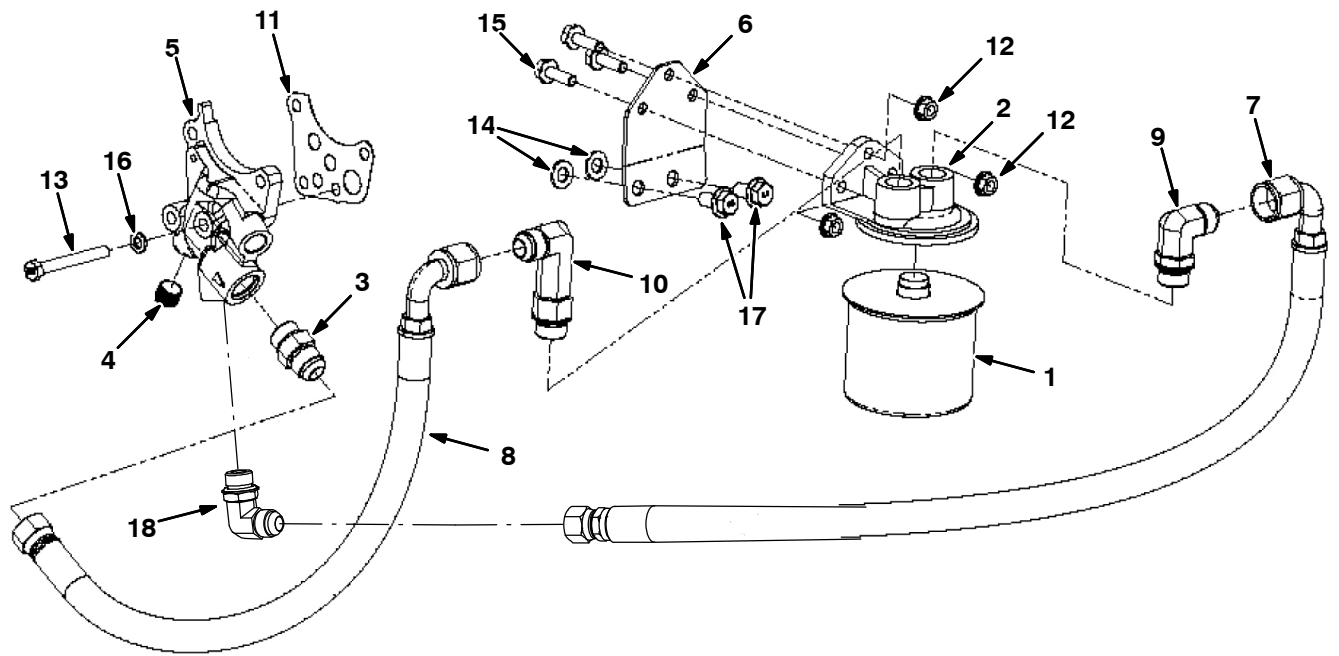
Fig. 15 – Starter / Alternator Group



Ref.	Part No.	Description	Qty.
1	9010245	Bolt, M10-1.50 X 30 [Mit]	2
2	9010246	Starter, Motor [Mit 2.0/2.4]	1
3	9010217	Alternator, 7si [Mit Df Sur-Belt]	1
4	9010219	Spacer, Alternator [Mit 2.0/2.4]	1

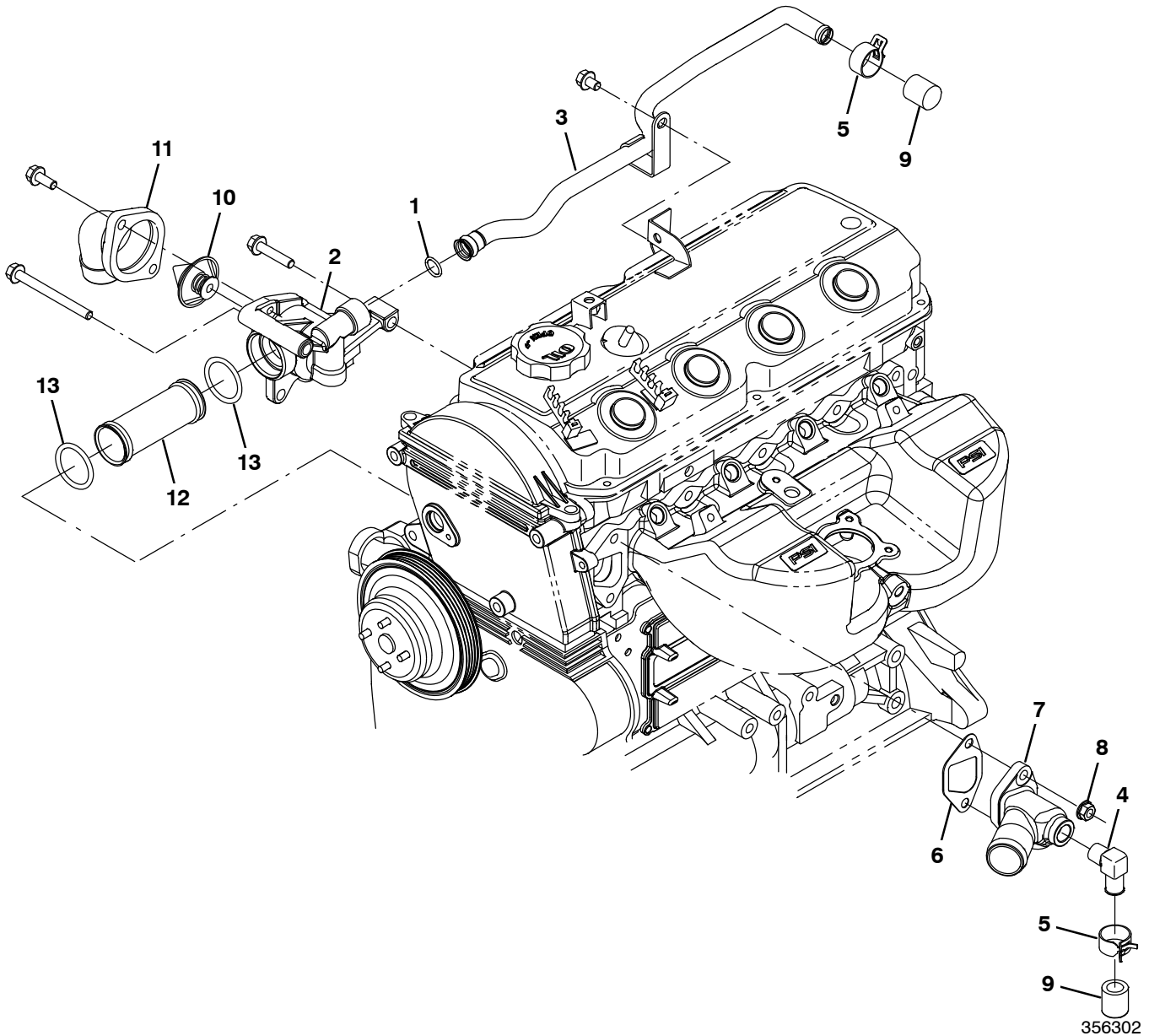


Fig. 16 - Remote Oil Filter Group



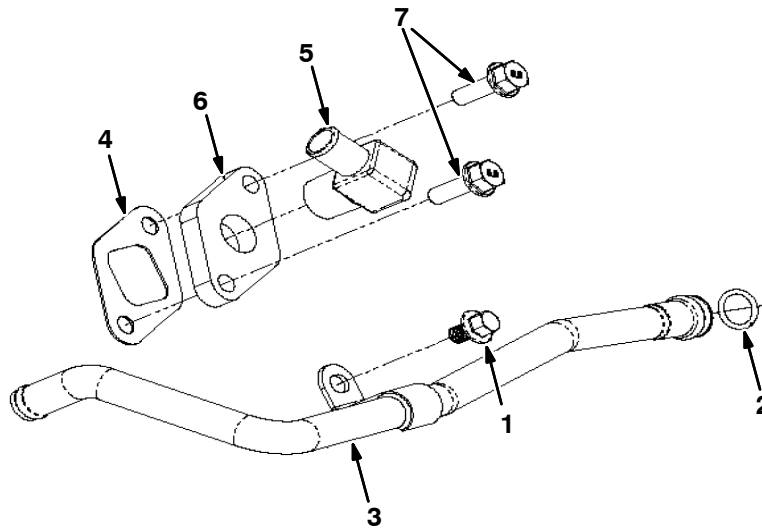
Ref.	Part No.	Description	Qty.
1	393982	Element, Fltr, Oil, Spin-On (Mits)	1
2	371503	Mount, Fltr, Remote	1
3	9010371	Fitting, Str, 10-10 Orb, 37fi [Mit]	1
4	9010372	Plug, 3/8npt X 5/16, Brs [Mit]	1
5	9010373	Adapter, Filter, Oil, Remote [Mit]	1
6	9010374	Bracket, Filter, Oil, Remote [Mit]	1
7	9010376	Hose, 90xstr,Fltr, Oil, Remote[Mit]	1
8	9010376	Hose, 90xstr,Fltr, Oil, Remote[Mit]	1
9	9010628	Elbow	1
10	9010629	Elbow	1
11	9010377	Gasket, Oil, Adapter [Mit 2.0/2.4]	1
12	385015	Nut, Flng, M8	3
13	9010253	Bolt, M8-1.25 X 70 Hxhd [Mit]	1
14	9010630	Washer	2
15	9010229	Bolt, M8-1.25 X 25 [Mit]	3
16	9010380	Washer, Lock, M8 [Mit]	1
17	9010631	Bolt	2
18	9010628	Elbow	1

Fig. 17 – Coolant Group



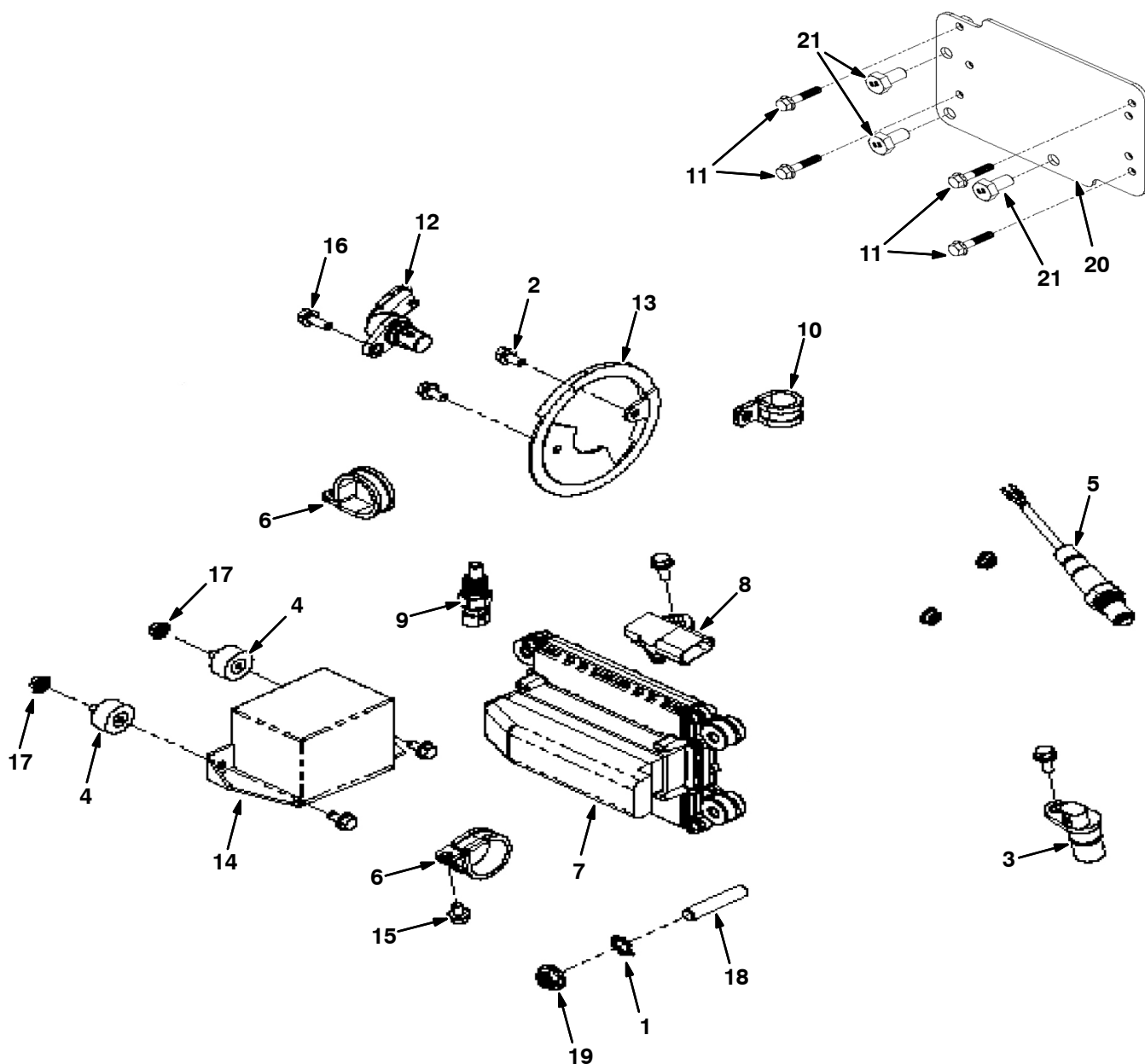
Ref.	Part No.	Description	Qty.
1	9010289	O-Ring [Mit 208 Buna-N]	1
2	9010290	Housing, T-Stat, 2 Holes [Mit]	1
3	9010291	Tube, Water, Line [Mit]	1
4	385011	Fitting, E90	1
5	384979	Clamp, Hose, Spring, 0.62d	2
6	9010632	Gasket, Outlet	1
7	9010294	Outlet, Water, W/Plug [Mit 2.0/2.4l]	1
8	385015	Nut, Flng, M8	2
9	9010295	Cap, Rubber, 5/8id [Mit 2.0/2.4l]	2
10	9010905	Thermostat Kit, Coolant, Replmt [Mitsub]	1
11	9010215	Housing, Thermostat	1
12	9010910	Tube, Pump, Water	1
13	9013530	Seal, Tube, Water [Mit 2.0l]	2

Fig. 18 - DSR Coolant Group, LPG Engine



Ref.	Part No.	Description	Qty.
1	9010305	Bolt, M8-1.25 X 12 [Mit]	1
2	9010289	O-Ring [Mit 208 Buna-N]	1
3	9010306	Tube, Cooling, Line [Mit]	1
4	9010307	Gasket, Water Supply [Mit 2.0/2.4]	1
5	9010308	Fitting, 1/2 Mpt X 5/8bh 90deg [Mit]	1
6	9010309	Plate, Water, Outlet [Mit Bypass]	1
7	9010310	Bolt, M8-1.25 X 25 Flg Hd [Mit]	2

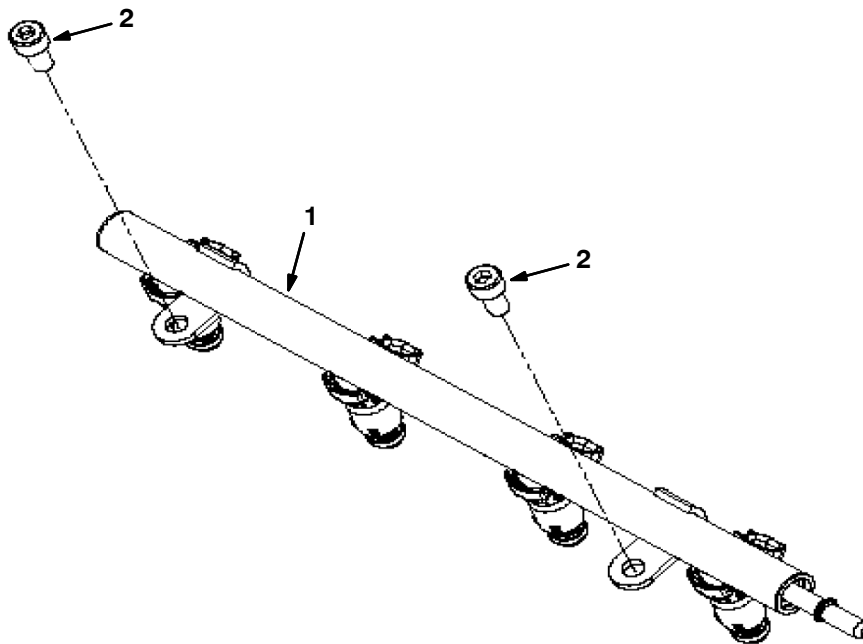
Fig. 19 - Electrical Group



**Fig. 19 – Electrical Group**

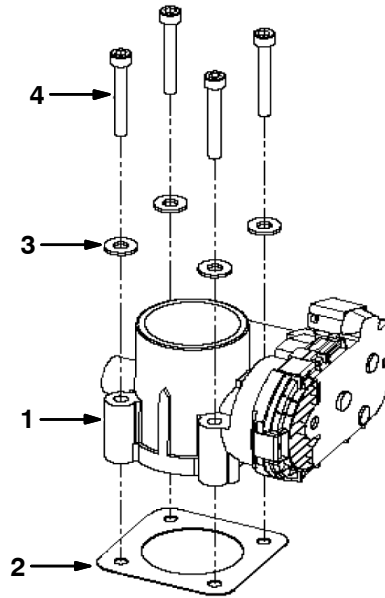
<b>Ref.</b>	<b>Part No.</b>	<b>Description</b>	<b>Qty.</b>
1	9010255	Washer, Star, M10 [Mit]	1
2	9010256	Bolt, M6–1.0 X 12 FI Hd PI [Mit]	2
3	372492	Sensor, Spd, Timing Wheel [3.0l]	1
4	9008805	Isolator	2
5	1028558	Sensor, Oxygen, Tailpipe	1
6	9010257	Clamp, 1/4 Hole [Mit #20]	2
7	1071397	Module, Ecu, Gas [Mit 2.0l 2013]	1
7	1071398	Module, Ecu, Lpg [Mit 2.0l 2013]	1
8	372493	Sensor [Tmap]	1
9	372891	Sensor, Temp, Coolant	1
10	9010258	Clamp, 0.75d [Mit]	1
11	9010249	Bolt, M6–1.0 X 30 FI Hd [Mit]	4
12	9010260	Sensor, Camshaft [Mit]	1
13	9010261	Cam, Sensor, Wheel [Mit 2.0/2.4l]	1
14	1071653	Harness, Wire, Eng, Gas [Mit, 2.0l]	1
14	1071654	Harness, Wire, Eng, Lpg [Mit, 2.0l]	1
15	9010262	Bolt, M6–1.0 X 10 FI Hd [Mit]	3
16	9010263	Bolt, M6–1.0 X 16 FI Hd [Mit]	3
17	9010264	Nut, M6–1.0 Flange [Mit]	4
18	9010366	Stud, M10–1.25 X 50, Full Thrd [Mit]	1
19	9010367	Nut, M10–1.25, Hx Flg [Mit]	1
20	9010247	Plate, Mtg, Ecu [Mit 2.0/2.4l]	1
21	9010248	Bolt, M10–1.25 X 20 Hxhd [Mit]	3

Fig. 20 - Fuel Rail Group, Gasoline Engine



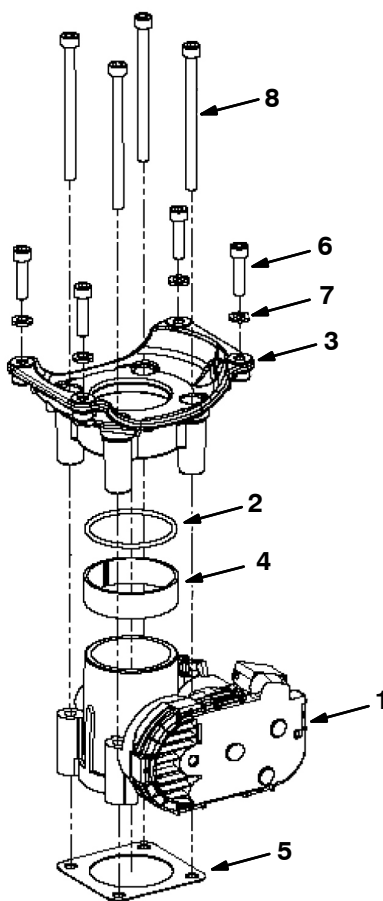
Ref.	Part No.	Description	Qty.
1	9015878	Manifold, Fuel [2.4l Mit]	1
2	9010327	Bolt, M8-1.25 X 16, Soc Hd [Mit]	2

Fig. 21 – Throttle Body Group, Gasoline Engine



Ref.	Part No.	Description	Qty.
1	9010266	Throttle Body [Mit, Bosch]	1
2	9010268	Gasket, Throttle [Mit 40mm]	1
3	9010330	Washer, 1/4 Flat [Mit]	4
4	9010331	Bolt, M6-1.0 X 45, Skt Hd [Mit]	4

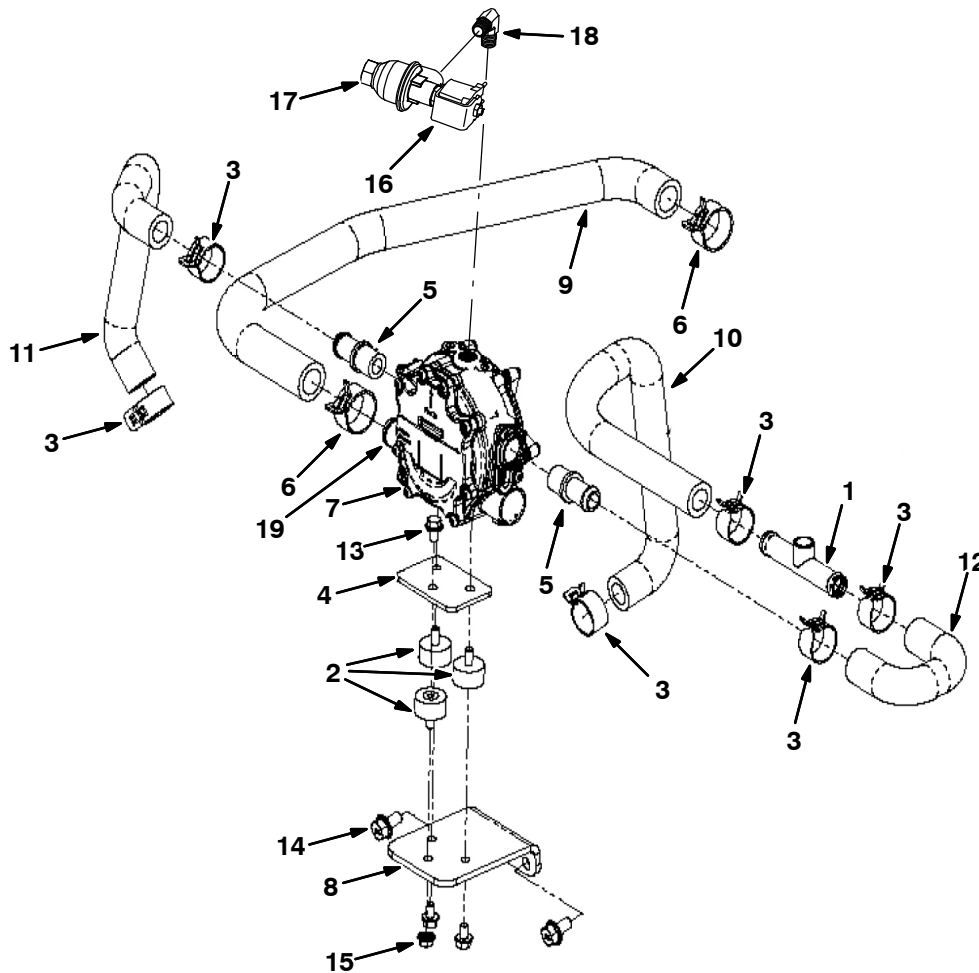
Fig. 22 – Throttle Body Group, LPG Engine



Ref.	Part No.	Description	Qty.
1	9010266	Throttle Body [Mit , Bosch]	1
2	1037311	Seal, Org, Lpg	1
3	9006619	Adapter	1
4	9010267	Spacer, Ring, Throttle [Mit 40mm]	1
5	9010268	Gasket, Throttle [Mit 40mm]	1
6	9010269	Bolt, M6-1.0 X 25 Soc Hd [Mit]	4
7	9010270	Washer, Lock, M6 [Mit]	4
8	9010271	Bolt, M6-1.0 X 85 Soc Hd [Mit]	4

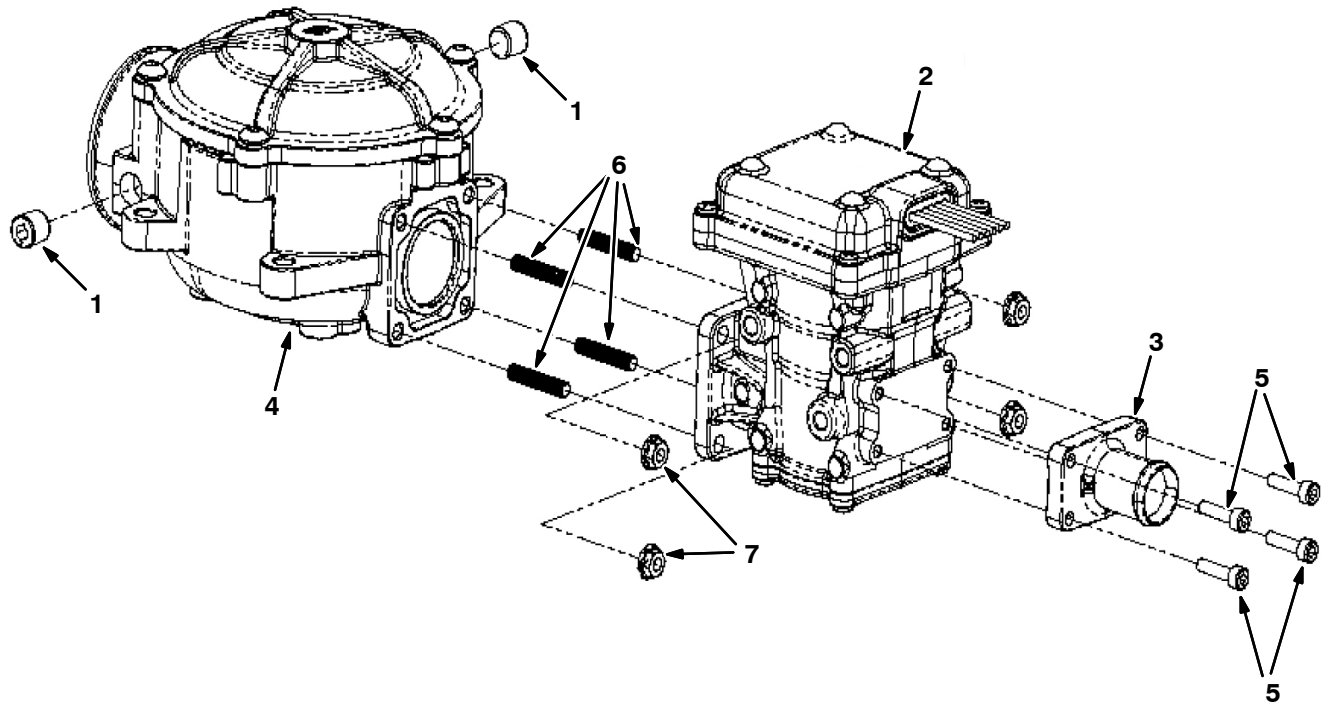


Fig. 23 – Vaporizer Group, LPG Engine



Ref.	Part No.	Description	Qty.	
	1	9010272	Hose Assy, Upper, Tap [Mit]	1
	2	9008805	Isolator	3
	3	384979	Clamp, Hose, Spring, 0.62d	6
	4	9008804	Plate, Mtg [Epr]	1
	5	9010273	Fitting, 1/2 X 5/8 Hose, Plastic [Mit]	2
	6	9010274	Clamp, Tension [Mit #29]	2
▽	7	9008193	Regulator	1
▲		9010626	Repair Kit, Vaporizer	1
	8	9010275	Bracket, Vaporizer [Mit 20/24m Tilt]	1
	9	9010276	Hose, Fuel, Molded [Mit 20/24m]	1
	10	9010277	Hose, Coolant, Molded [Mit 20/24m]	1
	11	9010278	Hose, Coolant, Molded [Mit 20/24m]	1
	12	9010279	Hose, Coolant, Molded [Mit 20/24m]	1
	13	9010262	Bolt, M6-1.0 X 10 Fl Hd [Mit]	3
	14	9010280	Bolt, M8-1.25 X 16 Fl Hd [Mit]	2
	15	9010264	Nut, M6-1.0 Flange [Mit]	1
▽	16	9006620	Lock-Off, 12v, Lpg [Mit]	1
▲	17	9007380	Filter Kit, Fuelock, Lpg	1
	18	9010317	Fitting, 1/4mpt X 1/4mpt, 90deg [Mit]	1
	19	PSI#106817	Fitting, Hose, Plastic	1

Fig. 24 – Electronic Pressure Regulator (EPR) Group, LPG Engine



Ref.	Part No.	Description	Qty.
1	9010314	Plug, 1/8npt, Brs [Mit]	2
2	9008806	Regulator, Press, Electronic [Epr]	1
3	9008807	Fitting, Barb, 3/4" [Epr]	1
▽ 4	9006618	Mixer , Lpg	1
▲	9010634	Repair Kit, Mixer	1
5	9008808	Screw, Soc, M4 X 0.70 X 16	4
6	9007424	Stud, M05-0.8	4
7	9007423	Nut, Flng, M05-0.8	4

# SECTION 6

**CONTENTS**

**PAGE**

PART NUMBER TO PAGE NUMBER CROSS REFERENCE LIST ..... 6-2  
PART DESCRIPTION TO PAGE NUMBER CROSS REFERENCE LIST ..... 6-13

# CROSS REFERENCE

## PART NUMBER TO PAGE NUMBER CROSS REFERENCE LIST

Part Number	Page Number	Part Number	Page Number	Part Number	Page Number
PSI#106817	5-29	06988	2-17	09291	2-61, 2-65, 3-59
00500-15	4-8, 4-9	07259	2-57, 2-65, 2-71, 2-79	09738	3-11, 3-51
00927	2-67, 2-69	07299	2-21, 2-23	09739	2-51, 2-95, 3-11, 3-21, 3-31, 3-35, 3-36, 3-37, 3-38, 3-39, 3-49
00960	2-33	07449	2-79	09740	2-7, 2-13, 2-19, 2-61, 2-67, 2-69, 2-71, 2-73, 2-83, 2-87, 2-89, 2-93, 2-97, 2-99, 2-101, 2-121, 3-3, 3-5, 3-17, 3-25, 3-35, 3-36, 3-37, 3-47
00961	4-23	07782	2-17	09741	2-71, 2-75
01316	3-3, 3-47	07786	2-55, 2-83, 2-87	09744	3-25, 3-49
01493	2-7	07788	2-83, 2-87, 2-101	09832	2-37
01683	2-51, 2-55, 3-3, 3-17, 3-21, 3-31, 3-43, 3-47, 3-51, 3-53, 3-63	07789	2-57	1002898	3-17
01684	2-61, 2-65, 2-73, 2-95, 2-97, 3-17, 3-25, 3-49, 3-59	07790	2-83, 2-37, 3-43	1002899	3-17
01685	2-35, 2-61, 2-65, 2-73, 2-75, 2-77, 2-79, 2-83, 2-87, 2-93, 2-99, 2-101, 3-3, 3-9	07791	2-81, 2-85	1005219	3-27
01686	2-5, 2-57, 2-75, 3-11	07797	2-121, 3-57	1005302	3-17, 3-27
01714	2-51, 2-53	07805	2-73	1005435	3-17, 4-19
01754	2-61	08085	2-13	1005552	3-17, 3-27
01760	2-13	08165	2-35	1006400	3-17
01762	2-67, 2-69, 3-7	08166	2-35	1006415	3-27
02430	4-16	08170	2-51	1006416	3-17
02706	4-7	08171	2-49	1006808	2-11
02850	2-13, 2-19	08175	2-67, 2-69	1007482	2-39
02938	2-63, 4-19	08179	2-51, 2-57, 2-65, 2-75, 3-9	1008240	2-11
02942	2-57	08180	2-47	1008663	2-11
03192	3-41	08182	2-53, 2-83, 2-87	1008916	2-17
03495	2-77	08236	2-71	1010614	3-31
04375	2-33	08708	2-7, 2-13, 2-15, 2-17, 2-29, 2-31, 2-33, 2-37, 2-41, 2-51, 3-65	1010668	3-17, 3-21, 3-31
04414	2-7, 2-21, 2-23, 2-75, 2-77, 3-65	08709	2-5, 2-29, 2-31, 2-33, 2-39, 2-41, 2-43, 2-45, 2-51, 2-55, 2-83, 2-87, 3-13	1011216	2-35
04706	2-15	08711	2-21, 2-23, 2-49	1011403	3-17, 3-27
04733-12	2-71	08712	2-65, 2-73, 2-75, 2-95, 2-97, 2-99, 3-57	1011412	3-19, 3-21, 3-31
04846	2-15	08713	2-35, 2-59, 2-65, 2-71, 2-73, 2-75, 2-77, 2-79, 2-81, 2-85, 2-89, 2-93, 2-99, 2-101, 3-13	1011837	3-27, 3-29
06548	2-51	08714	2-59, 2-65, 2-75, 2-79	1011885	3-5
06549	2-13, 2-45, 3-25, 3-43, 3-47, 3-55	08716	2-15, 2-35, 2-65, 2-83, 2-87, 2-95, 2-97	1011895	2-41
06922	2-61	08875	2-89, 2-90	1012248	2-41
06927	2-19	09005	2-67, 2-69	1013031	2-35
06928	2-63	09007	2-83, 2-87, 2-97	1013086	2-41
06929	2-13	09010	2-59, 2-65, 2-67, 2-69, 2-73, 2-75, 2-89, 2-101, 3-9, 3-13, 3-57	1013117	2-35
06939	3-47, 3-55	09011	2-101	10137	1-1, 2-45
06942	2-7, 2-17, 2-43, 2-51, 3-65	09023	2-75, 2-101	1014563	2-37, 2-61, 2-65, 2-79, 2-103, 3-41, 3-59
06943	2-11, 2-13, 2-17, 2-35, 2-37, 3-65	09028	2-57, 2-71, 2-83, 2-87	1014705	2-71
06944	2-63	09081	2-81, 2-85	1014843	2-39
06949	2-41, 3-57	09198	2-55	1014929	3-17
06955	2-51, 2-93, 2-99	09200	2-13, 2-19, 2-43, 2-61, 2-95, 3-17, 3-21, 3-49, 3-59	1014971	4-19
06956	2-41	09206	3-25	1014974	3-5, 3-31, 4-19
06957	2-75	09244	3-43	1014986	3-17
06962	2-37, 3-51	09252	2-13, 2-55, 2-57, 3-25, 3-43	1015026	3-21, 3-31
06963	2-61			1015032	2-95, 3-11, 3-19, 3-29
06965	2-15, 3-51, 3-63			1015033	2-95, 3-5
06968	3-61			1015045	3-3, 3-47
06969	2-49, 2-71			1015048	3-5
06972	2-21, 2-23			1015067	3-21
				1015205	2-37
				1015221	2-103

# CROSS REFERENCE

Part Number	Page Number	Part Number	Page Number	Part Number	Page Number
1015239	3-59	1019636	3-5	1022736	2-51
1015241	3-59	1019647	3-38, 3-39	1022779	2-55
1015486	3-19, 3-21, 3-29, 3-31, 3-47	1019968	2-37	1022787	2-55
1015815	2-27	1019971	3-35, 3-36, 3-37	1022825	2-83, 2-87
1016314	2-33	1020003	2-71	1022831	2-77
1016354	4-19	1020166	1-1, 2-73	1022846	2-81, 2-85
1016837	3-3	1020168	2-7, 3-25	1022905	2-11
1017022	3-17	1020186	2-19	1022978	2-87
1017101	2-90	1020209	2-89	1023239	2-77
1017141	2-145	1020331	2-97	1023306	2-83
1017218	2-7, 2-13, 2-17, 2-19, 2-33, 2-59, 2-65, 2-89, 2-93, 2-97, 2-99, 2-101, 2-121, 3-5, 3-17, 3-25, 3-35, 3-36, 3-37, 3-47, 3-55	1020335	2-97	1023307	2-87
1017386	3-27	1020434	2-145	1023314	2-87
1017413	3-27	1020487	2-13	1023464	2-9
1017415	3-27	1020526	3-49	1023476	2-79
1017791	2-5	1020548	2-83	1023482	2-41
1017868	1-1, 2-77	1020828	2-73	1023485	3-15
1017947	2-43	1020949	2-29, 2-31	1023488	2-107
1018098	3-17	1021019	2-67, 2-69	1023499	2-13
1018155	4-19	1021090	2-97	1023502	2-93, 2-99
1018207	2-61, 3-59	1021210	3-5, 4-3	1023545	2-119
1018208	2-63	1021290	2-45	1023569	2-9
1018209	2-103	1021325	3-3	1023606	2-109
1018216	2-103	1021327	2-5	1023607	2-109
1018226	2-57	1021404	2-79	1023617	2-67
1018227	2-57	1021419	2-97	1023754	2-101
1018236	2-65	1021439	3-9	1023769	2-111
1018237	2-65	1021473	3-9	1023779	2-75
1018239	2-59	1021497	2-79	1023879	3-41
1018240	2-63	1021511	2-77	1024141	2-140
1018245	2-65	1021564	3-9	1024237	3-17
1018252	2-103	1021579	1-1, 2-119	1024249	2-47
1018253	2-65	1021609	2-75	1024251	2-115, 4-7
1018260	2-57	1021617	3-9	1024260	2-15, 4-15
1018262	2-57	1021834	2-7	1024274	2-45
1018266	2-57	1021879	2-97	1024389	2-89
1018272	2-59	1021881	3-47	1024403	2-97
1018274	2-63	1021920	2-97	1024425	2-13
1018275	2-57	1022003	2-73	1024464	2-13
1018276	2-57	1022005	2-13, 2-19	1024500	2-19
1018280	2-63	1022007	1-1, 2-73	1024535	2-93, 2-99
1018289	2-119	1022009	1-1, 2-73	1024558	2-93, 2-99
1018293	2-63	1022031	2-51	1024576	2-83, 2-87
1018300	2-59	1022069	2-17	1024584	2-81, 2-85
1018495	3-47	1022137	2-93, 2-99	1024586	1-1, 2-81, 2-85
1018499	3-47	1022165	2-73	1024591	2-89
1018776	2-13	1022167	2-97	1024599	2-93, 2-99
1019031	2-83	1022176	2-89	1024641	2-75
1019146	2-71	1022179	2-73	1024648	2-75
1019228	2-13	1022182	2-90	1024651	2-81, 2-85
1019250	3-47	1022229	3-5	1024688	2-113
1019251	2-5	1022243	2-51	1024703	2-75
1019295	1-1, 2-81, 2-85	1022276	3-41	1024764	2-111
1019424	2-93, 2-99	1022318	3-11	1024934	2-43
1019445	3-35, 3-36, 3-37	1022345	2-53	1024977	3-51, 3-63
		1022363	2-73	1025100	2-71
		1022370	2-99	1025101	2-145
		1022372	2-75	1025132	2-119
		1022442	2-75	1025140	2-53
		1022472	2-11	1025151	2-81, 2-85
		1022699	2-7	1025159	3-5

# CROSS REFERENCE

Part Number	Page Number	Part Number	Page Number	Part Number	Page Number
1025196	2-19	1028522	2-99	1031665	2-7, 2-11, 2-13, 2-15, 2-19
1025229	2-41	1028558	2-35, 5-25	1031699	2-97, 4-3
1025460	2-79	1028635	2-83, 2-87	1031796	4-17
1025480	2-93, 2-99	1028690	2-93, 2-99	1031797	4-17
1025487	2-51	1028691	2-93, 2-99	1031798	4-17
1025495	2-51	1028697	3-5	1031799	4-17
1025544	2-111	1028701	2-93, 2-99	1031800	4-17
1025551	2-113	1028753	2-35	1031801	4-17
1025601	2-79	1028769	2-11	1031802	4-17
1025619	2-97	1028772	2-11	1031803	4-17
1025620	2-97	1028821	2-117	1031823	1-1, 2-81, 2-85
1025680	2-75	1028822	2-117	1031945	1-1, 2-77
1025736	2-13	1028823	2-117	1032399	2-55
1025756	2-103	1028852	2-73	1032450	2-145
1025806	2-19	1028924	2-41	1032578	3-66
1025841	2-103	1028929	2-35	1032812	2-41
1025904	2-57	1028972	2-85	1033644	1-1
1025916	2-13	1028979	2-85	1033746	2-41
1025990	3-15	1028994	2-35	1033897	2-41
1025991	3-15	1029055	3-47	1033901	2-41
1025992	3-15	1029057	3-25, 3-47	1033975	2-7
1026007	2-75	1029128	2-81	1034149	2-79
1026051	2-93, 2-99	1029132	2-81	1034270	2-47
1026080	2-67, 2-69	1029153	3-47	1034676	2-41
1026108	2-73	1029155	3-47	1034764	2-9
1026119	3-13	1029156	3-47	1034765	2-9
1026223	2-2	1029293	2-41	1034766	2-9
1026352	2-67, 2-69	1029295	2-41	1034767	2-13
1026550	2-41	1029362	2-11	1034768	2-9
1026576	2-45	1029379	4-9	1034769	2-9
1026628	2-19	1029396	3-45	1034770	2-9
1026645	2-109	1029399	3-47	1034878	2-119
1026726	2-19	1029646	2-57	1035044	2-99
1026727	2-93	1029790	3-47	1035068	2-17
1026743	3-47, 3-55, 4-17	1029951	2-11	1035727	2-79
1026759	2-41	1029964	2-67, 2-69	1035794	3-17
1026825	2-13	1030017	2-7	1035832	2-7
1027007	3-47, 3-55	1030404	2-107	1035997	2-7
1027039	2-99	1030441	4-24	1036240	2-63
1027218	2-7	1030444	4-24	1036801	3-17
1027233	2-55	1030511	3-21, 3-31	1036892	2-15, 2-29, 2-31, 2-37
1027237	3-47	1030588	2-13, 2-19	1036902	3-57
1027267	2-7	1030593	2-7	1036939	2-111
1027290	1-1, 2-90, 3-55	1030709	2-113	1036945	2-109
1027313	2-55	1030910	2-71	1036946	3-15
1027381	2-89	1030911	2-71	1036965	3-15, 3-57
1027560	3-51, 3-63	1030969	2-2	1036997	2-95
1027697	2-2	1031011	1-1, 2-81, 2-85	1037011	3-13
1027719	1-1, 2-77	1031017	2-145	1037032	4-19
1027810	2-71	1031206	2-13	1037053	2-113
1027916	2-5	1031233	2-89	1037072	3-57
1027926	3-9	1031235	2-90	1037235	2-61
1027976	3-47	1031309	2-99	1037311	5-28
1027978	3-47	1031331	1-1, 2-77	1037346	2-5, 2-17, 2-37, 2-45, 2-63, 2-97, 2-103
1028145	2-109	1031566	2-33	1037354	2-119
1028173	2-99	1031572	3-5	1037355	2-37
1028211	2-99	1031575	2-63	1037671	2-61
1028328	2-99	1031610	2-97	1037816	2-97
1028374	2-77	1031617	2-101		
1028412	2-19				

# CROSS REFERENCE

Part Number	Page Number	Part Number	Page Number	Part Number	Page Number
1037825	3-21, 3-31	1042686	2-71	1055552	2-25
1037947	2-61	1042710	4-24	1055605	2-5
1037970	2-17	1042772	3-53	1056298	2-61
1037971	2-17	1042775	2-111	1056412	2-15
1038115	2-65, 3-9	1042776	2-111	1057637	4-19
1038123	2-65	1042859	3-55	1057643	2-67, 2-69
1038134	2-65	1042968	3-7	1057707	1-1
1038137	2-71, 2-75, 2-83, 2-87, 3-9	1044323	2-59	1057708	1-1
1038159	4-19	1044342	3-17	1057710	1-1
1038569	2-107	1044343	3-17	1057711	1-1
1038571	3-57	1044367	2-121	1057785	4-23
1038805	2-89, 2-90	1044393	3-25	1058935	3-27
1038927	2-97	1044428	3-53, 3-55	1059073	2-15
1038941	2-97	1044993	2-65	1059091	1-1, 3-7
1039019	3-5	1045034	3-55	1059092	1-1, 3-7
1039037	3-55	1045272	3-13	1059100	2-101
1039042	3-53	1045444	3-51	1059234	4-24
1039044	3-53	1045759	2-113	1059343	2-47
1039046	3-55	1045764	2-37	1059372	3-27
1039049	2-97	1046798	2-97	1059391	3-27
1039056	3-53	1046962	2-37	1059542	2-61
1039064	2-95	1046976	3-7	1059640	2-2
1039072	2-97	1046980	1-1, 3-7	1059677	3-25
1039124	2-65	1046995	3-7	1059878	4-24
1039149	2-65	1047002	3-7	1060130	2-5, 2-63, 3-11
1039155	2-65	1047060	3-7	1060185	3-25
1039157	2-65	1047098	2-89, 2-90	1060273	3-25
1039163	2-59	1047169	2-7	1060291	3-25
1039215	2-59	1047238	1-1, 3-7	1060292	3-25
1039348	2-83, 2-87	1047295	2-7	1060517	4-19
1039357	3-17	1048166	2-37	1060521	2-47
1039396	2-73	1048295AM	1-1, 2-61	1060596	3-27
1039652	2-99	1048474	2-89, 2-90	1060624	3-25
1039757	2-89, 2-90	1048512	2-89, 2-90	1060693	3-27
1039789	2-121	1049254	3-17, 3-27	1060695	4-19
1040018	2-73	1049259	3-17	1060716	2-101
1040117	2-121	1049919	2-17	1060719	3-25
1040306	2-89	1050003	2-145	1060871	3-34
1040318	2-119	1050295	3-41	1060880	3-34
1040467	2-37, 2-57, 3-25, 3-43	1050436	2-109	1060881	3-34
1040524	2-2	1052017	3-27	1061045	3-31
1040628	2-111	1052124	2-71	1061973	2-47
1040634	3-49	1052336	3-27, 4-19	1062033	2-101
1040655	2-109	1052342	2-71	1062116	3-11
1040800	3-49	1052521	2-47	1062403	3-27
1040841	2-9	1052726	3-25	1062566	2-5, 2-63
1040876	2-121	1052885	2-63	1062804	3-25
1040899	3-53	1053320	2-61	1062813	2-145
1041006	2-61, 3-59	1053464	4-19	10632-12	3-43
1041351	3-55	1053838	2-5, 2-63, 3-11	10632-13	2-15, 2-63
1041389	3-15	1054338	3-51, 3-63	10632-14	3-57
1041935	3-53	1054382	2-39	10632-17	3-38, 3-39
1041953	2-93, 2-99	1054428	2-37	10632-19	3-17, 3-27, 3-55
1041984	2-61, 3-59	1054575	2-67, 2-69	10632-2	3-5
1042003	2-93	1054610	2-69	10632-4	3-25
1042010	2-99	1054682	2-67	1064183	3-25
1042051	3-53	1054776	4-19	1064191	3-25
1042191	3-53, 3-55	1054857	2-67, 2-69	1064370	2-142
1042579	3-55	1055139	2-69	1064440	2-145
		1055377	2-33	1064662	2-145

# CROSS REFERENCE

Part Number	Page Number	Part Number	Page Number	Part Number	Page Number
1065134	2-67, 2-69	1071654	2-143, 5-25	1222043	2-79
1065342	2-145	1071727	2-33	1222953	4-23
1065343	2-145	1071785	2-37	1223504	2-15
1068277	2-89, 2-90	1072408	2-25, 2-27	1223511	2-15
1068611	2-101	1072421	2-33	1223514	2-15
1068644	2-101	1072559	2-25, 2-27	1223896	2-11
1068811	2-67, 2-69	1072669	2-21, 2-23	1223897	2-11
1068812	3-7	1072877	3-5	1223903	2-11
1069019	1-1	1072885	2-99	1223906	2-11
1069020	1-1	1072995	2-121, 4-13	1224091	4-23
1069241	3-41	1072997	3-13, 4-11	1224092	4-23
1069253	3-41	1073487	2-47	1224093	4-23
1069562	2-71	1073529	2-33	1224094	4-23
1069580	3-43	1074010	2-103	1224326	3-57
1069933	2-57	1074807	2-67, 2-69	1224327	3-57
1070402	3-43	1074849	2-33	1224328	3-55
1070426	2-33	1074983	3-53	1224329	3-55
1070431	2-33	1075003	2-11	1224331	3-55
1070434	2-37	1075079	2-139	1224603	2-11
1070619	2-33	1075080	2-141	1224979	2-97
1070659	3-43	1075138	3-23	1225144	3-57
1070732	2-39	1075140	3-34	1225146	3-55
1070751	2-21, 2-23	1075143	3-43	1225174	3-55
1070756	2-21, 2-23	1075241	3-11	1225829	3-55, 4-25
1070764	2-33	1075283	3-36, 3-37, 3-38, 3-39	1225989	2-97
1070787	2-31	1075367	2-5	1226044	3-57
1070788	2-29, 2-31	1075394	2-95	1226062	2-107
1070798	2-55	1076027	2-101	1226063	2-107
1070819	2-55	1076240	2-49	1226700	2-77
1070822	2-29, 2-31	1076351	2-143	1227137	3-55, 4-25
1070833	2-29, 2-31	1076414	3-59	1228195	2-51
1070860	2-37	1076680	2-49	12295	2-67, 2-69
1070890	2-33	1076692	2-95	1229745	2-107
1070955	2-37	1076696	3-61	1230341	2-15
1071061	2-47	1076698	3-61	12309	2-63
1071062	3-43	1076699	3-61	1231375	3-55
1071085	2-97	1076703	3-65	12317	2-5, 2-65, 2-75, 3-11
1071099	2-39	1076704	3-65	1232054	2-15
1071107	2-33	1076740	3-61	12323	2-63, 3-25
1071108	2-33	1076741	3-61	1234534	2-77
1071110	2-33	10831	2-33	1235405	2-111, 2-113
1071113	2-35	10917	4-17	1247720	3-25
1071144	2-33	11442-23	2-43	1248350	3-43
1071145	2-33	11842	2-55	1249770	2-37
1071173	2-117	1208906	2-77	1252156	2-2
1071240	2-103	1210624	4-23	13248	2-15
1071280	3-27	1210807	2-5	13534	2-67, 2-69
1071376	2-35	1214251	2-17	13840	3-45
1071388	2-41	1218322	2-77	13904	4-11, 4-13
1071397	5-25	1218851	2-97	13907	4-7
1071398	5-25	1220185	2-3	140916	3-43
1071404	2-29	1220235	2-3	14432	2-29, 2-31
1071418	2-35	1220236	2-3	14595-1	2-51
1071439	2-19	1221543	2-3	14605	2-51
1071440	2-25, 2-27	1222018	2-19, 2-81, 2-85	14877	3-3, 3-5
1071481	2-45	1222019	2-61, 3-49, 3-59	150538	3-17
1071482	2-45	1222020	2-77, 3-7	150540	3-17, 4-19
1071502	2-25	1222035	2-97	150709	2-43, 3-17
1071616	2-7	1222036	2-83	150713	3-17
1071653	2-143, 5-25	1222038	2-87	15331	2-17



# CROSS REFERENCE

Part Number	Page Number	Part Number	Page Number	Part Number	Page Number
15648	2-93, 2-99	222375	3-31	32483	2-13, 2-15, 2-35, 2-37, 2-41, 2-43, 2-63, 2-103, 3-25
15675	2-67, 2-69, 2-93, 2-99, 3-55	222463	2-81, 2-85	32485	2-55, 2-71, 2-79, 2-103, 2-115
15678	2-61, 3-17, 3-59	222496	2-35	32486	2-15, 2-21, 2-23, 2-49, 2-63, 3-9, 3-61
16213	2-55	222505	2-35, 2-79	32490	2-7, 2-11, 2-15, 2-17, 2-25, 2-27, 2-35, 2-37, 2-51, 2-53, 2-55, 3-57, 3-65
16391	3-55	222516	2-93, 2-99	32491	2-5, 2-7, 2-13, 2-15, 2-29, 2-31, 2-33, 2-37, 2-39, 2-41, 2-43, 2-47, 2-51, 2-67, 2-69, 2-71, 2-73, 2-93, 2-97, 2-99, 2-117, 3-9, 3-13, 3-41, 3-49, 3-55, 3-57
16411	1-1	22290	2-15	32492	2-5, 2-13, 2-21, 2-23, 2-35, 2-37, 2-43, 2-55, 3-7, 3-41, 3-51, 3-61, 3-63
16412	1-1	22297	2-39	32493	2-21, 2-23
16431	2-109	22308-6	2-43	32509	4-19
16695	4-8, 4-9	223080	2-13	32523	3-65
16735	2-17, 2-33, 2-97, 3-9	223198	2-71, 3-25	32716	2-43
16931	2-7, 2-13, 2-15, 2-17, 2-19, 2-33, 2-37, 2-39, 2-41, 2-43, 2-47, 2-51, 3-55	223470	2-71	32895	3-65
16944	2-57	223599	2-11	32975	2-61
16968	2-11	22615	3-7	32981	2-41, 2-103
17414	2-43	22790	4-3	32982	2-33, 3-25
17461	2-65, 2-71, 2-83, 2-87, 3-9	23146	2-5, 2-63, 3-11	32983	2-13
17980	2-117	23156	2-43	33295	3-3
19064	2-61, 3-45	23211	2-57	33373	2-79
19065	2-11, 2-13, 2-55, 3-25	23285	4-3	33401	2-73
19066	2-13, 2-19, 2-33, 2-45, 2-57, 3-25, 3-35, 3-36, 3-37, 3-38, 3-39, 3-43, 3-47, 3-55	23498	2-93, 2-99, 2-103	33580	4-5
190722	3-45	23524-1	2-75	33671	2-45
19191	3-7	23788	2-51	33812	2-121
19312	2-25, 2-27	24047	2-43	33932	2-19, 2-55, 2-81, 2-85, 3-3, 3-25
19313	3-41	24105	3-3	34178	4-5
19315	2-25, 2-27	24196	3-31, 3-35, 3-36, 3-37, 3-38, 3-39	34323	2-103
19583	2-47	24199	2-51	34351	2-109
19760	2-43	24265	2-19, 3-3	34359	3-13
20021	2-63	24339	2-47	34379	3-57
20170	2-51	24358	2-97, 4-3	34411	2-5, 2-63, 3-11
20394	3-47, 3-53	24543	3-5	35707	2-43
20634	2-61	24544	3-3, 3-17, 3-27	35710	2-43
20778	2-45	24555	2-77, 2-79, 3-7	35904	2-117
20833	1-1	24584	3-55	360023	2-49
20944	3-5	24698	3-27	360074	2-49
20951	3-5, 4-19	24928-1	2-43	360270	2-49
20952	3-5	25014	2-35	360271	2-49
21196	3-51, 3-63	25046	3-7, 3-65	360272	2-49
21603	2-77, 3-7	25122	1-1	360273	2-49
21606	2-77	25312	3-60	360274	2-49
21623	2-63	25686	2-67, 2-69	360275	2-49
21657	4-16	25735	2-79, 2-81, 2-85	360276	2-49
21659	4-16	26496	2-43	360801	2-83, 2-87, 2-99
21851	2-13	27048	2-43	360802	2-49
21933	4-15	27991	2-55	360973	2-90
21934	4-15	28854	4-9		
21935	4-15	29557	3-9		
21955	4-9	29558	3-9		
21956	4-9	29584	2-75		
21958	4-9	30407	2-37		
222190	3-65	31241	2-103		
222267	2-19, 2-89, 2-90	31354	4-8, 4-9		
222268	2-59, 2-65	31375	4-8		
222290	2-45	31379	4-8		
		31383	4-8		
		31543	3-21, 3-31		
		31613	1-1, 2-119		
		32126	2-47		
		32183	2-63, 3-5		

# CROSS REFERENCE

Part Number	Page Number	Part Number	Page Number	Part Number	Page Number
361047	3-15	373394	4-7	38255	4-5
361339	2-53, 2-63, 2-73, 3-3	373395	4-7	383165	2-11
36159	2-25, 2-27	373398	4-7	383820	3-36, 3-37, 3-38, 3-39
363162	2-77	373402	4-7	384419	2-19
36328	2-83, 2-87, 2-101	373413	4-7	384979	5-22, 5-29
363301	2-77	373427	4-7	384999	2-143
363458	2-5	373429	4-7	385001	5-15
363543	2-95	373434	4-7	385009	2-41
363976	2-7	373493	4-7	385011	5-22
364347	2-51	373494	4-7	385015	5-15, 5-19, 5-21, 5-22
364441	2-77, 3-13	373633	4-11, 4-13	385685	2-90, 2-97, 3-5, 3-55
364587	2-57	373637	4-13	386088	2-55, 2-83, 2-87
364749	2-13	373639	4-13	386264	2-77
364864	2-51	373640	4-11, 4-13	386298	2-77, 3-7
364948	2-51	373642	4-11, 4-13	386652	3-5
365095	2-95	373646	4-11	386847	2-75
365164	2-95	373647	2-121, 4-11, 4-13	387281	2-111
36643	2-43, 2-55, 2-103	373648	4-11, 4-13	387433	2-77
36644	2-71	373656	4-11, 4-13	387500	2-77
36658	2-61	373657	4-11, 4-13	38968	4-5
36661	2-61	373658	4-11, 4-13	390994	2-89
367313	2-65, 2-75	373660	4-13	391368	2-17
367770	2-75	373661	4-11	39210	2-69
367771	2-5	373662	4-11	392171	2-11
367949	2-89, 2-90	373663	4-11, 4-13	39277	2-5, 2-7, 2-29, 2-31, 2-37, 2-39, 2-41, 2-43, 2-55, 2-93, 2-99, 2-101, 2-117
368391	2-13	373665	4-13	39278	2-55
36845	3-9	373666	4-13	39279	2-51
369359	3-7, 3-51, 3-63	373667	4-13	39281	2-33, 2-79
369704	2-45	373668	4-13	39283	2-5, 2-7, 2-115
369745	2-29, 2-31	373670	4-11, 4-13	39284	2-35, 3-51, 3-63
369746	2-29, 2-31	373671	4-13	39285	2-103
369747	2-29, 2-31	373678	4-7	39308	2-83, 2-87
369811	3-3	373679	4-7	39311	2-7
371503	5-21	373680	4-7	39312	2-61
371509	5-17	373681	4-7	393135	2-81, 2-85, 3-49
371562	5-17	373683	4-11	393215	2-47, 2-57
372020	5-16	373684	4-13	39349	2-7, 2-13, 2-19, 2-33, 2-35, 2-55, 2-83, 2-87, 2-89, 2-93, 2-99, 4-23
372235	2-143	373688	4-13	393982	1-1, 2-21, 2-23, 5-21
372237	2-143	374560	2-47	394916	2-143
372440	1-1, 2-41	374563	2-47	39527	2-67, 2-69, 4-8
372470	2-25, 2-27	375321	3-47	39534	2-103
372492	5-25	375322	3-3	395973	2-121, 3-13
372493	5-25	37555	4-8, 4-9	395974	2-121, 3-13
372891	5-25	37616	4-5	396255	2-109
373217	4-5	377334	3-55	39811	2-71
373226	4-5	377349	2-90, 3-3, 3-55	398279	2-29, 2-31
373236	4-5	377537	1-1	398500	3-47
373260	4-5	377538	1-1	398501	2-11
373291	4-5	377540	1-1	398508	2-11
373297	4-5	37756	4-5	40362	2-119
373298	4-5	379609	2-47, 4-5	40678	2-117
373299	4-5	379791	2-65	40755	3-57
373317	4-7	379870	2-83, 2-87	41139	2-19
373327	4-7	381391	2-29, 2-31	41141	2-73
373346	4-7	381502	2-51	41169	2-53
373347	4-7	381857	2-111		
373348	4-7	382099	2-71		
373389	4-7	382224	2-51		
373391	4-7	382320	2-89, 2-90, 2-97, 3-60		
373393	4-7	382516	2-11		

# CROSS REFERENCE

Part Number	Page Number	Part Number	Page Number	Part Number	Page Number
41178	2-13, 2-37, 2-103	50178	3-11	58979	2-99
41185	2-83, 2-87	50335	2-55	59009	2-51
41186	2-33, 2-55, 2-93, 2-99, 3-9	50544	2-95	59156	2-43, 3-9
41187	2-75, 2-83, 2-87	50646	2-63	59542	2-57
41295	3-3, 3-5	50901	3-27	59577	2-121, 3-15
41342	4-23	51109	2-51	59633	3-9
41346	2-21, 2-23, 3-9	51176	2-21, 2-23	59649	2-103
41359	3-25	51305	2-39	59661	3-65
41399	2-53	51338	2-47	59668	2-53
41430	2-37, 2-43, 2-103, 2-117, 3-41, 3-51, 3-63	51339	2-47	59861	4-23
41445	2-83, 2-87	51824	2-71	59962	2-51
41579	4-19	52405	4-5	59967	2-103
41619	2-71, 2-75, 2-83, 2-87	53076	2-115	60090	2-117, 3-13
42120	2-71	53400-1	2-43	607775	4-19
42120-1	2-57	53400-4	2-43	61490	4-8, 4-9
42133A	3-3, 3-17, 3-27	53466	2-5, 2-7, 2-39, 2-45, 2-117	62471	2-117
42180	2-53	53947	2-55	62595-15	2-41
42215	2-103	53953	2-55	630164	3-27
42223	2-47	54017	2-115	630371	3-3
42226	2-121, 3-13	54051	2-47	63175-1	3-9
42227	3-57	54052	2-47	63233	3-9
43555	2-77, 2-93, 2-99	54087	2-47	63234	2-55
43844	2-39, 3-3, 3-5, 3-17, 3-27	54205	2-55	63244-2	3-3
44868	2-67, 2-69, 2-103, 2-115, 3-13	54274	2-37, 2-101, 2-103	63378	2-43
44869	2-103, 2-115, 2-119, 3-13	54275A	2-103	63468	2-79
44961	4-19	54333	2-29, 2-31, 2-41, 2-45, 3-11, 3-17, 3-19, 3-21, 3-27, 3-29, 3-31, 3-47	63810	2-95, 3-3, 3-5, 3-11, 3-19, 3-21, 3-29, 3-31, 3-47, 3-55
45622	4-5	54390	2-49	63923	4-16
45623	4-5	54607	2-51	63987-1	3-27
45628	4-8, 4-9	54615	2-97	64425	2-79, 2-81, 2-83, 2-85, 2-87
46236	3-36, 3-37	54655	2-55	64778	3-27, 3-47
46481	2-117	55248	3-43	65145-1	2-115
46482	2-119, 2-121	55455	2-119	65180	2-79
46559	2-55	55586	2-67, 2-69, 2-121	65215	2-119
46563	2-51	55685	3-13, 3-57	65230	4-9
46785-1	2-75	55845	3-45, 3-63	65241	4-8
47512	2-115	55926	4-7	65441	2-53
47513	2-101, 2-115	56078	2-67, 2-69	65580	3-45, 3-53
47522	2-15, 2-47	56186	3-17, 3-25, 3-47, 3-53	65581	3-27
47585	2-15	56690	2-15, 2-119, 3-13, 3-15	67004	3-45, 3-53
47638	2-57, 3-57	56692	2-101	67555	2-71
47719	3-11	56820	2-121	67767	2-43, 2-53
47752	2-117	56821	3-7	67811	2-115
47801	2-47	56835	2-15	68275	2-13
48079	2-55	56992	2-11	68866	2-53
48126	2-41	57248	3-17	69173	2-121
48790	3-27	57297	2-43	69234	2-31
48985	2-71, 3-9	57315	2-47	69582	2-51
49145	2-49	57569	2-37	69785	2-90
49266	2-11, 2-47, 2-69, 3-27, 3-38, 3-39, 3-53	57702	3-51, 3-63	70096	4-7
49697	2-81, 2-85	57804	2-45, 2-143	70100	4-7
49800	2-13	57946	2-111	70157	2-101
49883	2-33	58311	2-51	70709	2-15
49933	2-121	58494	2-13	70717	2-15
50161	2-117	58589	2-43	71204	2-75
		58590	2-43	71367	2-51
		58592	2-119	71369	2-71
		58819	2-5, 2-7, 2-53	71556	2-109

# CROSS REFERENCE

Part Number	Page Number	Part Number	Page Number	Part Number	Page Number
71607	2-83, 2-87	76426	2-97	9001310	3-47
71726	2-119	76570	2-33, 2-93, 2-99	9001314	3-41
71727	2-121, 3-13	76888	2-13	9001316	3-60
71729	4-8	769785	3-47	9001321	3-35
71741	2-109	77003	4-13	9001327	3-36
71868	3-9	77005	4-11, 4-13	9001331	3-37
71869	3-9	77097	2-65, 2-75, 2-83, 2-87, 2-121, 3-9	9001334	3-45
71874	3-9	77098	2-71, 2-101, 2-103, 3-9	9001338	3-51
71941	2-17	77221	2-145	9001717	3-39
72897	2-57	77345	2-47	9001718	3-38
72926	2-47	77347	3-61	9002398	2-119
72968	3-27, 3-45, 3-53	78122	2-43	9002399	2-5
73260	3-3, 4-16	78398	3-3, 4-3	9002400	2-5
73281	2-47	78829	4-3	9002401	2-5
73342	4-3	78830	4-3	9002555	1-1
73411	2-55	78833	4-3	9002683	2-103
73433	3-3	78836	4-3	9002708	4-3
73468	3-3, 3-17, 3-27	78838	4-3	9002709	4-3
73471	2-39	78839	4-3	9003009	4-24
73736	2-11	78840	4-3	9003068	2-90
74090	2-93, 2-99	78841	4-3	9003069	2-89
74094	4-8, 4-9	78842	4-3	9003070	2-90
74095	4-8	78843	4-3	9003071	2-89
74098	4-8, 4-13	78845	4-3	9003313	2-99
74099	4-8	78875	4-16	9003610	2-41
74100	4-8, 4-9	78950	4-17	9003793	2-93
74122	4-5	78951	4-17	9003794	2-99
74123	4-5	78952	4-17	9004272	4-25
74125	4-5	79273-2	2-95	9004288	4-25
74165	4-5	79381	2-39, 3-45	9004289	4-25
74166	4-5	79484	3-3	9004290	4-25
74167	4-5	79497	3-3	9004291	4-25
74168	4-5	79506	2-93, 2-99	9004292	4-25
74180	4-7	79729	4-5	9004475	4-13
74183	4-15	79828	4-5	9004493	2-77
74185	4-15	80288	2-7	9005165	2-89, 2-90
74193	4-15	80395	2-7, 2-93, 2-99	9006257	3-66
74196	4-15	80409	2-79	9006592	2-41
74222	4-15	80491	3-65	9006618	5-30
74225	4-7	80950	2-79	9006619	5-28
74226	4-7	81784	2-83, 2-87	9006620	5-29
74232	4-15	82727	2-7	9007131	3-35
74237	4-7	82832	2-47	9007142	2-115
74243	4-15	82839	3-11	9007380	1-1, 5-29
74244	4-15	83043	4-23	9007381	1-1
74245	4-15	83874	1-1, 2-77	9007423	5-30
74250	4-8, 4-9	83879	2-55	9007424	5-30
74440	2-55	84170	2-55	9007882	3-25, 4-19
74454	2-103	86508	3-3	9007883	4-19
74455	2-5, 2-117	86636	2-97	9008193	5-29
75934	2-55	86659	2-49	9008757	4-24
76099	3-21, 3-31	86751	2-51	9008804	5-29
762514	2-45	86767	3-45	9008805	5-25, 5-29
763024	4-23	86866	2-71	9008806	5-30
763042	2-59	87536	2-11	9008807	5-30
763090	2-71	87738	2-39	9008808	5-30
763114	2-97, 3-43	87816	2-83, 2-87	9008848	4-24
763115	3-38, 3-39	87866	1-1, 2-11	9008868	3-17, 4-24
763116	2-61, 3-21, 3-31	9000355	2-41	9010085	3-43
76315	2-101			9010086	3-43

# CROSS REFERENCE

Part Number	Page Number	Part Number	Page Number	Part Number	Page Number
9010096	2-37	9010278	5-29	9010430	5-3
9010097	2-37	9010279	5-29	9010431	5-3, 5-5
9010215	5-22	9010280	5-29	9010432	5-3
9010217	5-20	9010281	5-15	9010433	5-3
9010219	5-20	9010282	5-15	9010434	5-3
9010222	5-17	9010283	5-15	9010435	5-3
9010223	5-17	9010284	5-15	9010436	5-3
9010224	5-17	9010285	5-15	9010438	5-3
9010225	5-17	9010286	5-15	9010439	5-3
9010226	5-17	9010287	5-15	9010440	5-3
9010227	5-17	9010288	5-15	9010441	5-3, 5-5
9010228	5-17	9010289	5-22, 5-23	9010442	5-3
9010229	5-17, 5-21	9010290	5-22	9010443	5-3
9010230	5-17	9010291	5-22	9010444	5-3
9010231	5-17	9010294	5-22	9010445	5-3
9010232	5-18	9010295	5-22	9010446	5-3
9010233	5-18	9010296	5-16	9010447	5-3
9010234	5-18	9010297	5-16	9010448	5-3
9010235	5-18	9010298	5-16	9010449	5-3
9010236	5-18	9010302	5-16	9010450	5-3
9010237	5-18	9010303	5-16	9010451	5-3
9010238	5-18	9010305	5-23	9010452	5-3
9010239	5-18	9010306	5-23	9010453	5-3
9010240	5-18, 5-19	9010307	5-23	9010454	5-3
9010241	5-18	9010308	5-23	9010455	5-3
9010242	5-18	9010309	5-23	9010456	5-3
9010243	5-19	9010310	5-23	9010457	5-3
9010244	5-19	9010311	5-7	9010458	5-3
9010245	5-20	9010312	5-7	9010459	5-3
9010246	5-20	9010313	5-7	9010460	5-4
9010247	5-25	9010314	5-30	9010461	5-4
9010248	5-25	9010317	5-29	9010462	5-4
9010249	5-25	9010327	5-26	9010464	5-4
9010250	5-9	9010330	5-27	9010465	5-4, 5-5
9010251	5-9	9010331	5-27	9010466	5-4
9010252	5-9	9010359	5-18	9010468	5-5
9010253	5-9, 5-21	9010360	5-18	9010469	5-5
9010254	5-9	9010366	5-25	9010470	5-5
9010255	5-25	9010367	5-25	9010471	5-5
9010256	5-25	9010371	5-21	9010473	5-5
9010257	5-25	9010372	5-21	9010479	5-19
9010258	5-25	9010373	5-21	9010480	5-5
9010259	5-12	9010374	5-21	9010481	5-5
9010260	5-25	9010376	5-21	9010482	5-5
9010261	5-25	9010377	5-21	9010483	5-5
9010262	5-16, 5-25, 5-29	9010380	5-21	9010484	5-5
9010263	5-25	9010382	5-15	9010485	5-5
9010264	5-25, 5-29	9010383	5-15	9010487	5-7
9010266	5-27, 5-28	9010384	5-15	9010488	5-7
9010267	5-28	9010419	5-3	9010489	5-7
9010268	5-27, 5-28	9010420	5-3	9010490	5-7
9010269	5-28	9010421	5-3	9010491	5-7, 5-9
9010270	5-28	9010422	5-3	9010492	5-7
9010271	5-28	9010423	5-3	9010493	5-7
9010272	5-29	9010424	5-3	9010494	5-7
9010273	5-29	9010425	5-3	9010495	5-7
9010274	5-29	9010426	5-3, 5-12	9010496	5-7
9010275	5-29	9010427	5-3	9010497	5-7
9010276	5-29	9010428	5-3	9010498	5-7
9010277	5-29	9010429	5-3	9010502	5-7

# CROSS REFERENCE

Part Number	Page Number	Part Number	Page Number	Part Number	Page Number
9010503	5-7, 5-13	9010568	5-9	9011347	4-11, 4-13
9010504	5-7	9010569	5-9	9012585	4-21
9010505	5-7	9010570	5-11	9012587	4-21
9010506	5-7	9010571	5-11	9012589	4-21
9010507	5-7	9010572	5-11	9012591	4-21
9010508	5-7	9010574	5-11	9012592	4-21
9010511	5-7	9010575	5-11	9012593	4-21
9010512	5-7	9010576	5-11	9012594	4-21
9010513	5-10	9010577	5-11	9012595	4-21
9010514	5-10	9010578	5-11	9012832	2-67, 2-69
9010515	5-10	9010579	5-11	9013159	2-35
9010516	5-10	9010580	5-11	9013530	5-22
9010517	5-10	9010582	5-12	9014160	1-1, 5-5, 5-19
9010518	5-10	9010583	5-12	9014161	5-5
9010519	5-10	9010585	5-12	9014162	5-5
9010520	5-10	9010586	5-12	9014202	2-21, 2-23
9010521	5-10	9010587	5-12	9014281	3-27
9010522	5-10	9010589	5-12	9014285	2-79
9010523	5-10	9010590	5-12	9014423	2-33
9010524	5-10	9010591	5-12	9014662	2-3
9010525	5-10	9010592	5-12	9014666	2-3
9010526	5-10	9010593	5-12	9014867	3-49
9010527	5-10	9010594	5-12	9015633	2-15
9010528	5-10	9010595	5-12	9015634	2-15
9010529	5-10	9010596	5-12	9015636	2-15, 4-23
9010530	5-9	9010597	5-12	9015866	5-3
9010531	5-9	9010598	5-12	9015878	5-26
9010532	5-9	9010599	5-12	9015915	5-16
9010533	5-9	9010600	5-11, 5-12	9015916	5-16
9010534	5-9	9010601	5-12	9016000	3-66
9010535	5-9	9010602	5-13	9016001	3-66
9010536	5-9	9010603	5-13	9016002	3-66
9010537	5-9	9010604	5-13	9016003	3-66
9010538	5-9	9010606	5-13, 5-15	9016004	3-66
9010539	5-9	9010607	5-13	9016005	3-66
9010540	5-9	9010609	5-13	9016006	3-66
9010541	5-9	9010610	5-13	9016241	2-101
9010542	5-9	9010612	5-13	9016242	2-101
9010543	5-9	9010613	5-15	9016283	3-66
9010544	5-9	9010615	5-15	9016315	3-55
9010545	5-9	9010617	5-15	9016320	2-7
9010546	5-9	9010618	5-15	9016321	2-7
9010547	5-9	9010619	5-16	9016324	2-7
9010548	5-9	9010623	5-17	9016326	2-7
9010549	5-9	9010624	5-17	9016327	2-7
9010550	5-9	9010625	5-17	9016329	2-7
9010551	5-9	9010626	5-29	9016330	2-7
9010552	5-9	9010628	5-21	9016332	2-7
9010554	5-9	9010629	5-21	9016333	2-7
9010555	5-9	9010630	5-21	9016335	2-7
9010556	5-9	9010631	5-21	9016336	2-7
9010557	5-9	9010632	5-22	9016337	2-7
9010559	5-9	9010634	5-30	9016494	3-11
9010560	5-9	9010635	3-66	9017944	2-79
9010561	5-9	9010904	2-39	9018721	2-13, 4-21
9010562	5-9	9010905	5-22	9018734	4-21
9010563	5-9	9010910	5-22	9019145	2-41
9010564	5-9	9011343	4-11, 4-13		
9010565	5-9	9011345	4-11, 4-13		
9010567	5-9	9011346	4-11, 4-13		

**PART DESCRIPTION TO PAGE NUMBER CROSS REFERENCE LIST**

**A**

Ace, Thrust, Motor, Hyd [En], 4-9  
 Actuator, Valve, By- Pass [En], 4-7  
 Adapter , 5-28  
 Adapter, Filter, Oil, Remote [Mit], 5-21  
 Adapter, Rod- End, Side Brush, 3-9  
 Adjuster Assy, Lash, 5-9  
 Alarm Assy, Backup, 12/48Vdc, 3-35  
 Alarm Kit, Backup, Ci [M20 And T20], 3-35  
 Alarm, 9- 48vdc, 95 Db(A) [Ec- H20], 3-25  
 Alarm, Warning [Sonalert, St628], 2-45  
 Alternator, 7si [Mit Df Sur- Belt], 5-20  
 Anchor [Shackle], .50 Bolt, 3-61  
 Angle, Brace, Shrd, 2-19  
 Angle, Lh, 2-75  
 Angle, Mtg, 2-55  
 Angle, mtg, Antenna, Telem, 3-43  
 Angle, Retainer, 2-59  
 Angle, Rh, 2-75  
 Angle, Sppt, Fan, 2-101  
 Angle, Sppt, Tank, Rear, 2-89  
 Antenna, Telem [4g, 180"], 3-43  
 Antenna, Telem, 70 In [Gprs], 3-43  
 Arm [Positioning], 2-55  
 Arm Assy, Rocker [A], 5-9  
 Arm Assy, Rocker [B], 5-9  
 Arm Assy, Rocker [C], 5-9  
 Arm Wldt, Alternator [Mit 2013], 2-33  
 Arm Wldt, Lift, Sqge, Lh, 2-87  
 Arm Wldt, Safety, Sppt, Seat, .38d 06.5d, 2-13  
 Arm Wldt, Safety, Sppt, Seat, .38d 10.1l, 2-97  
 Arm Wldt, Sqge, Lift, Rh, 2-83  
 Arm, Cntrl, Pintle, Centering, 2-55  
 Arm, Lever, Brake, 4.1 [Knott], 2-49  
 Arm, Link, 3-9  
 Arm, Pinch, 2-93, 2-99  
 Arm, Pintle, 2-55  
 Arm, Sqge, Side, Lh, 2-87  
 Arm, Sqge, Side, Rh, 2-83  
 Armrest, 4-21

**B**

Bag, Power, 3-45, 3-53  
 Bar Wldt, Retainer, Sqge, Rear, 2-77  
 Bar, Flat, Ss 0.06, 00.50 X 10.00l, 2sl, 2-11  
 Bar, Flat, Stl 0.19, 01.50 X 04.1l, 2-47  
 Bar, Isolator, Vacfan [M20], 2-103  
 Bar, Mtg, Hppr, 2-59  
 Bar, Mtg, Hppr Cover, 2-61, 3-59  
 Bar, Rnd, Plstc, 0.31d 12.5l, 2-89, 2-90  
 Bar, Tensioner, Mtg [Mit 2.0/2.4l], 5-17  
 Battery, 12vdc, 0475cca, Ah, Wet, 2-45  
 Battery, Wet, 12vdc 0475cca, 1-1  
 Bearing Kit [CI], 4-15  
 Bearing, Ball, 0.98b 2.05d 0.59w, 2-67, 2-69

Bearing, Ball, 1.18b 2.44d 0.63w, 2-49  
 Bearing, Ball, 20mm B 42mm D 12mm W, 2-33  
 Bearing, Cone, 1.38b 0.71w, 2-47  
 Bearing, Cone, Pump, Hyd, 4-7  
 Bearing, Cshft [ Black Std 3], 5-3  
 Bearing, Cshft [ Green Std 3], 5-3  
 Bearing, Cshft [ Lan Std 1,2,4,5], 5-3  
 Bearing, Cshft [ Lan Std 3], 5-3  
 Bearing, Cshft [ No Color Std 3], 5-3  
 Bearing, Cshft [ Red Std 1,2,4,5], 5-3  
 Bearing, Cshft [ Yellow Std 3], 5-3  
 Bearing, Cshft [Green Std 1,2,4,5], 5-3  
 Bearing, Cshft [Yellow Std 1,2,4,5], 5-3  
 Bearing, Cshft[No Color Std 1,2,4,5], 5-3  
 Bearing, Cup, 4-7  
 Bearing, Cup, 2.56d 0.55w, 2-47  
 Bearing, Flng, 2hole, 0.50b, 2-15  
 Bearing, Flng, 2hole, 0.50b [Nyl], 2-15  
 Bearing, Journal, 0.75b 0.88d 0.75l, 4-23  
 Bearing, Oversize [1.0], 5-3  
 Bearing, Pillowblock, 1.02b [Solid Pye], 2-51  
 Bearing, Rod, Connect [ Lan Std], 5-10  
 Bearing, Rod, Connect [No Color Std], 5-10  
 Bearing, Rod, Connect [Yellow Std], 5-10  
 Bearing, Self Align, 0.75b 1.25d, 2-71  
 Bearing, Self Align, 1.25b 2.00d, 2-57  
 Bearing, Shaft, Balancer [ Ovrsz], 5-3  
 Bearing, Shaft, Std, Balancer, 5-3  
 Bearing, Split, 1.00b, 2-51  
 Bearing, Std, Balancer, 5-3  
 Bearing, Thrust, 4-9  
 Bearing, Thrust, 0.53b 1.00d 0.03w, 3-9  
 Bearing, Thrust, Cshft, 5-3  
 Bearing, Thrust, Pump, Hyd, 4-7  
 Bellcrank, Lift, Sqge, 2-75  
 Bellows, Seat, 4-21  
 Belt, Ribbed, 38.5l, 1-1  
 Belt, Ribbed, Alternator, 41.5l, 2-33  
 Belt, Ribbed, Fan, 42.13l, 2-33  
 Belt, Timing, 5-9, 5-11  
 Bezel, Switch [3 Gang], 2-11  
 Blade, Sqge, .38 3.55w 038.3l, Linatex, 2-81, 2-85  
 Blade, Sqge, .38 3.55w 038.3l, Ure, 1-1  
 Blade, Sqge, .38 3.55w 038.3l, Ure (Option), 2-81, 2-85  
 Blade, Sqge, 37.08l Linatex, 1-1  
 Blade, Sqge, Front [Linard], 1-1  
 Blade, Sqge, Front, 49.58l [Linard], 2-77  
 Blade, Sqge, Front, 49.58l Ure (Option), 2-77  
 Blade, Sqge, Front, 49.59l Pyu, 1-1  
 Blade, Sqge, Rear, 53.78L Pyu, 1-1  
 Blade, Sqge, Rear, 53.78l Ure (Option), 2-77  
 Blade, Sqge, Rear, Linatex, 1-1, 2-77  
 Blade, Sqge, Side Brush, Linatex, 1-1, 3-7

Blade, Sqge, Side Brush, Urethane, 1-1, 3-7  
 Block Assy, Cylinder, 5-3  
 Block, Centering, 2-75  
 Block, Guide, Hppr, 2-5  
 Block, Spacer, 2-33  
 Bolt, 5-7, 5-21  
 Bolt, 3/8- 16 X 1 1/4 Hxhd [Mit], 5-17  
 Bolt, 3/8- 16 X 4.5 [Mit], 5-17  
 Bolt, Belt, Balancer, Train, 5-11  
 Bolt, Cap, Bearing, 5-3  
 Bolt, Carriage, M06 X 1.0 X 30, 2-65  
 Bolt, Carriage, M06 X 1.00 X 40, 4.6, 3-25  
 Bolt, Carriage, M10 X 1.5 X 70, 2-79  
 Bolt, Connecting, 5-10  
 Bolt, Eye, .25- 20 X 1.40 X .25 Eye, 2-55  
 Bolt, Eye, M08 X 1.25 X 070mm, 05.50 Eye, 2-83, 2-87  
 Bolt, Eye, M10 X 1.50 X 064mm, 07.10 Eye, 2-75  
 Bolt, Eye, M8 X 1.25 X 070mm, 05.50 Eye, 2-55  
 Bolt, Flange, 5-3, 5-5, 5-7, 5-9, 5-11, 5-12, 5-13, 5-15  
 Bolt, Flywheel [Mit 20/24m], 5-18  
 Bolt, M10- 1.25 X 20 Hxhd [Mit], 5-25  
 Bolt, M10- 1.25 X 30 Soc Hd [Mit], 5-18  
 Bolt, M10- 1.25 X 45 Soc Hd [Mit], 5-18  
 Bolt, M10- 1.50 X 30 [Mit], 5-20  
 Bolt, M12- 1.75 X 25, Hex Hd [Mit], 5-18  
 Bolt, M6- 1.0 X 10 FI Hd [Mit], 5-16, 5-25, 5-29  
 Bolt, M6- 1.0 X 12 FI Hd PI [Mit], 5-25  
 Bolt, M6- 1.0 X 16 FI Hd [Mit], 5-25  
 Bolt, M6- 1.0 X 20 FI Hd [Mit], 5-18, 5-19  
 Bolt, M6- 1.0 X 25 Soc Hd [Mit], 5-28  
 Bolt, M6- 1.0 X 30 FI Hd [Mit], 5-25  
 Bolt, M6- 1.0 X 45, Skt Hd [Mit], 5-27  
 Bolt, M6- 1.0 X 85 Soc Hd [Mit], 5-28  
 Bolt, M8- 1.25 X 12 [Mit], 5-23  
 Bolt, M8- 1.25 X 15, Hx Hd [Mit], 5-18  
 Bolt, M8- 1.25 X 16 FI Hd [Mit], 5-29  
 Bolt, M8- 1.25 X 16, Soc Hd [Mit], 5-26  
 Bolt, M8- 1.25 X 20 FI Hd [Mit], 5-17  
 Bolt, M8- 1.25 X 25 [Mit], 5-17, 5-21  
 Bolt, M8- 1.25 X 25 Flg Hd [Mit], 5-23  
 Bolt, M8- 1.25 X 25 Soc Hd [Mit], 5-17  
 Bolt, M8- 1.25 X 55 Fi Hd [Mit], 5-9  
 Bolt, M8- 1.25 X 65 Hxhd [Mit], 5-9  
 Bolt, M8- 1.25 X 70 Hxhd [Mit], 5-9, 5-21  
 Bolt, Manifold, Inlet, 5-15  
 Bolt, Motor, Hyd, 4-5  
 Bolt, Rocker, Cover, 5-4  
 Bolt, Seal, 5-9  
 Bolt, Shld, .31d X 1.00, .25- 20, 2-55  
 Bolt, Shld, 1.37d X 5.13l, 1.1- 18 Drilled, 2-47  
 Bolt, Sprocket, Cshft, 5-10  
 Bolt, Washer, 5-9, 5-10, 5-12, 5-17  
 Boot, .63id .29l .90w, 2-11  
 Boot, Bulb, .50id 1.00id 2.50l, Red, 2-33

## CROSS REFERENCE

- Boot, Circuitbreaker, 3-25  
Boot, Switch, Ignition, 2-11  
Bracket Assy, Coil, Ignition, 5-7  
Bracket Wldt, Alternator [Mit13], 2-33  
Bracket Wldt, Brush Wrap Mtg, Rh, 2-71  
Bracket Wldt, Brush Wrap, Lh, 2-71  
Bracket Wldt, Flap, Recirculation, 2-73  
Bracket Wldt, Guard, Sqge, 3-51, 3-63  
Bracket Wldt, Hose, 2-15  
Bracket Wldt, Latch, 2-17  
Bracket Wldt, Mtg, 3-55  
Bracket Wldt, Mtg [FaST Gen 2+], 3-17  
Bracket Wldt, Mtg, Caster, 2-79  
Bracket Wldt, Mtg, Eng, Rear [Mit 2013], 2-21, 2-23  
Bracket Wldt, Mtg, Engine [Mit 2013], 2-21, 2-23  
Bracket Wldt, Mtg, Hose, 2-7  
Bracket Wldt, Mtg, Side Brush Fixed, 3-7  
Bracket Wldt, Mtg, Sqge, 2-79  
Bracket Wldt, Mtg, Tank, 2-7  
Bracket Wldt, Pivot, Hppr Door, Lh, 2-65  
Bracket Wldt, Pivot, Hppr, Rh, 2-65  
Bracket Wldt, Propel, Pintle, 2-55  
Bracket Wldt, Steering, Tilt, 2-15  
Bracket Wldt, Steering, Tilt, Rh, 2-15  
Bracket Wldt, Tank, Soltn, Rh, 2-89  
Bracket, Coil [Mit 2.0/2.4], 5-19  
Bracket, Cover, 2-65  
Bracket, Cover, Hopper, 2-65  
Bracket, Cover, Hppr, 2-61, 3-59  
Bracket, Filter, Oil, Remote [Mit], 5-21  
Bracket, Guide, Shrd, 2-19  
Bracket, Indicator, Timing, 5-9  
Bracket, Latch, Cover, 2-19, 3-49  
Bracket, Latch, Keeper [Southco], 2-19  
Bracket, Latch, Shrd, Seat, 2-13  
Bracket, Lip, Hppr, 2-65  
Bracket, Mtg, 2-7  
Bracket, Mtg [FaST Gen 2+], 3-17  
Bracket, Mtg, Alternator [Mit 2013], 2-33  
Bracket, Mtg, Cable, 2-51  
Bracket, Mtg, Camera [M20/M30] (PRO PANEL ONLY), 2-97  
Bracket, Mtg, Cover, Recvy Tank, 2-97  
Bracket, Mtg, Cyl, 2-83, 2-87  
Bracket, Mtg, Detgt And Spray Wand, 3-5  
Bracket, Mtg, Fltr, Air [Mit 2013], 2-29, 2-31  
Bracket, Mtg, Insulation, 2-7  
Bracket, Mtg, Latch, 3-65  
Bracket, Mtg, Latch, Tank Cover, 2-89, 2-90  
Bracket, Mtg, Lift, Scb Head, 2-71  
Bracket, Mtg, Mirror, Rearview, 3-41  
Bracket, Mtg, Motor, 2-103  
Bracket, Mtg, Muffler [M20/T20 2007], 2-35  
Bracket, Mtg, Prop Rod, 2-97  
Bracket, Mtg, Pump, Hp, Replmt, 3-55  
Bracket, Mtg, Radiator, 2-37  
Bracket, Mtg, Scb Head, Lh, 2-71  
Bracket, Mtg, Scb Head, Rh, 2-71  
Bracket, Mtg, Skirt, 2-73  
Bracket, Mtg, Skirt, Brush Door, 2-81, 2-85  
Bracket, Mtg, Skirt, Door, 2-81, 2-85  
Bracket, Mtg, Skirt, Door, Brush, 2-81, 2-85  
Bracket, Mtg, Sppt, 2-47  
Bracket, Mtg, Spray Handle, 3-47  
Bracket, Mtg, Spray Wand [FaST, Conv], 3-47  
Bracket, Mtg, Spring, 2-71  
Bracket, Mtg, Strainer, 3-5  
Bracket, Mtg, Switch, 2-51, 2-63  
Bracket, Mtg, Valve, 3-3  
Bracket, Mtg, Valve [Combined], 2-121  
Bracket, Mtg, Valve, Lower, 2-121  
Bracket, Muffler, 2-35  
Bracket, Propel, G/Lpg [Mit 2013], 2-55  
Bracket, Protector, Float Switch, 2-97  
Bracket, Pulley, Tensioner, 5-9  
Bracket, Pump, Mtg, 5-17  
Bracket, Retainer, Lh, 2-67  
Bracket, Retainer, Pump, 3-17  
Bracket, Retainer, Rh, 2-69  
Bracket, Retainer, Safety, 2-55  
Bracket, Retaining, Hose, 2-93, 2-99, 3-49  
Bracket, Seat, Adj, 2-13  
Bracket, Shrd, Fan, Lower, Sppt, G/Lpg, 2-37  
Bracket, Shrd, Fan, Upper, Sppt, G/Lpg, 2-37  
Bracket, Soltn, Tank, Cntr, 2-89  
Bracket, Spacer, Controlbox, 3-43  
Bracket, Sppt, 2-67, 2-69  
Bracket, Sppt, Cover, Tank, Recvy, 2-97  
Bracket, Sppt, Strobe Light, 3-35, 3-36  
Bracket, Sppt, Strobel Light, 3-37  
Bracket, Sppt, Tank, Lh, 2-97  
Bracket, Sppt, Tank, Rh, 2-97  
Bracket, Tank, Soltn, Lh, 2-89  
Bracket, Tensioner, [Mit 2.0/2.4], 5-17  
Bracket, Valve, Mtg, 3-57  
Bracket, Valve, Sba [M20 And T20], 3-13  
Bracket, Vaporizer [Mit 20/24m Tilt], 5-29  
Brake Assy, Drum, Mech, 07.0d 1.2w, 2-49  
Brush Assy, Disk, Scb, 16.0d, Heavy Duty Polypropylene, 2-3  
Brush Assy, Disk, Scb, 16.0d, Nylon, 2-3  
Brush Assy, Disk, Scb, 16.0d, Super Abrasive, 2-3  
Brush Assy, Disk, Swp, 24.0d, Polypropylene, 2-3  
Brush Kit, Hub Assy, Drive, Ci [Hdpe In], 2-3  
Brush Kit, Hub Assy, Drive, Ci [Uhmw], 2-3  
Brush, Sweep / Scb, 40L, 24Sr, Super Abrasive, Spiral, 2-2  
Brush, Sweep / Scb, 40L, Heavy Duty Polypropylene, Spiral, 2-2  
Brush, Sweep / Scb, 40L, Polyester, Spiral, 2-2  
Brush, Sweep / Scb, 40L, Polypropylene, Spiral, 2-2  
Brush, Sweep / Scb, 40L, Window, Super Abrasive, Spiral, 2-2  
Brush, Sweep / Scb, 40L, Window, Polypropylene, Spiral, 2-2  
Bushing, 5-3, 5-5  
Bushing, Eccentric, Adj, 2-93, 2-99  
Bushing, Flng, 0.32b 0.50d 0.24l, Bnz, 2-79  
Bushing, Flng, 0.50b 0.59d 0.38l, 2-93, 2-99  
Bushing, Flng, 0.63b 0.75d 0.38l, 2-79, 2-81, 2-85  
Bushing, Flng, 1.00b 1.13d 0.50l, 2-65, 2-75  
Bushing, Flng, 1.25b 1.41d 0.50l, 4-23  
Bushing, Knock, 5-3  
Bushing, Sleeve, 0.37b 0.50d 0.50l, Oib, 2-51  
Bushing, Sleeve, 0.50b 0.59d 0.50l, Bnz, 3-9  
Bushing, Sleeve, 0.62b 0.72d 0.50l, Fgl, 2-79  
Bushing, Sleeve, 0.63b 0.72d 0.38l, 2-83, 2-87  
Bushing, Sleeve, 0.75b 0.88d 0.25l, 2-93, 2-99  
Bushing, Sleeve, 0.78b 0.86d 0.93l, Bnz, 2-49  
Bushing, Sleeve, 0.88b 1.00d 0.75l, Bnz, 2-57  
Bushing, Sleeve, 1.00b 1.13d 1.50l, Fgl, 3-9  
Bypass Valve Kit, Pump, Repair,, 4-17

## C

- Cable, Battery, 2ga, 60l, Red, 2-45  
Cable, Battery, 2ga, 62l, Blk, 2-45  
Cable, Camera, 236.2l [Hvs] (PRO PANEL ONLY), 2-97  
Cable, Glv .06d 012.0l .26eye /.26eye, 3-51, 3-63  
Cable, Glv .09d 016.5l .38eye /.38eye, 2-17  
Cable, Glv .13d 015.8l .50eye /.50eye, 2-83, 2-87  
Cable, Push / Pull, 063.0l 4.0, .31-24, 2-51  
Cable, Push / Pull, 098.0l .25-28/.25-28, 2-53  
Cam, Centering, Pintle, 2-55  
Cam, Front, Yel, 3-7  
Cam, Front, Yellow, 2-77  
Cam, Plt, Brake [Nickel], 2-49  
Cam, Rear, Yellow, 2-77  
Cam, Sensor, Wheel [Mit 2.0/2.4], 5-25  
Camera, Color, Fixed (PRO PANEL ONLY), 2-97  
Camshaft Assy, 5-9  
Cap Assy, Tank, Drain, 2-97, 4-3  
Cap Screw, 4-8



Cap Screw Cl, 4-9  
 Cap, Arm, Lift, 2-63  
 Cap, Breather, Hyd, 2.4 Ds, 1-1  
 Cap, Breather, Hyd, W Chain, 2-119  
 Cap, End, Valve, Steering, 4-15  
 Cap, Fuel, Tank, 2-41  
 Cap, Hub, Dust 2.57d 0.77l, 2-49  
 Cap, Oil, Filler, 5-4  
 Cap, Radiator, 14Psi [Stant], 2-37  
 Cap, Rubber, 5/8id [Mit 2.0/2.4], 5-22  
 Cap, Seal, 5-3  
 Cap, Tank, 3-5  
 Cap, Vinyl, 57mmid X 23mml, 2-67, 2-69  
 Capacitor, Plug [4700uf, 25v], 3-34  
 Caster Assy, F/ Sqge, Replmt[M20/T20], 2-79  
 Caster Kit, Rear Squeegee, Am, 2-79  
 Caster, Pivot, 2-79  
 Catch, Latch, Tank Cover, 2-89, 2-90  
 Chain, Str, 4/0, 08 Link, 2-75  
 Channel Wldt, Pivot, 3-9  
 Channel, .18, 2.5w 1.3 01.0l, 1/0.5h (Flashing or Strobe Light Option Only), 3-55  
 Channel, Shield, Muffler [M20/T20 2007], 2-35  
 Channel, Upper, Tower, Lift, 2-5  
 Chech Valve Kit, Pump, Repair,, 4-17  
 Circuitboard Assy [Dc To Dc Conv.], 3-25  
 Circuitbreaker, 02.0a, Resettable, 3-25  
 Clamp Wldt, Front, 2-77  
 Clamp Wldt, Rear, 2-77  
 Clamp, 0.75d [Mit], 5-25  
 Clamp, 1/4 Hole [Mit #20], 5-25  
 Clamp, 3/8id [Mit Olive Green], 5-15  
 Clamp, Cable, Nyl, 0.62D, Nat, 3-43  
 Clamp, Cable, Ss, 0.50d X 0.50w [Insul], 4-19  
 Clamp, Cable, Ss, 1.12d X 0.38w, 1h, 2-95  
 Clamp, Cable, Ss, 2.50d X 1.00w, 1hole, 2-101  
 Clamp, Cable, Stl, 0.25D X 0.56W, 1Hole, 3-36, 3-37  
 Clamp, Cable, Stl, 0.44d X 0.62w, 1h, 2-117  
 Clamp, Cable, Stl, 0.69d X 0.62w, 1h, 2-53  
 Clamp, Cable, Stl, 0.69d X 0.62w, 1hole, 2-43  
 Clamp, Cable, Stl, 1.00d X 0.75w, 1hole, 2-31  
 Clamp, Cable, Stl, 1.50d X 1.00w, 1h, 2-7, 2-45, 2-117  
 Clamp, Cable, Stl, 1.50d X 1.00w, 1hole, 2-5, 2-39  
 Clamp, Cable, Stl, 2.00d X 0.75w, 1hole, 2-41  
 Clamp, Hose, Spring Stl, 0.58d X 0.31w, 2-25, 2-27  
 Clamp, Hose, Spring, 0.62d, 5-22, 5-29  
 Clamp, Hose, Wir, .52 - .56, Yel, 4-19  
 Clamp, Hose, Wir, .63 - .66, Blk, 4-19  
 Clamp, Hose, Wormdrive, 0.25-0.62d, .31w, 2-39, 3-3, 3-5, 3-17, 3-27

Clamp, Hose, Wormdrive, 0.31-0.88d, .31w, 2-29, 2-31, 2-41, 2-45, 3-11, 3-17, 3-19, 3-21, 3-27, 3-29, 3-31, 3-47  
 Clamp, Hose, Wormdrive, 0.56-1.06d, .56w, 2-95, 3-3, 3-5, 3-11, 3-19, 3-21, 3-29, 3-31, 3-47, 3-55  
 Clamp, Hose, Wormdrive, 1.25-2.00d, .50w, 2-39, 3-45  
 Clamp, Hose, Wormdrive, 1.56-2.50d, .50w, 2-39  
 Clamp, Hose, Wormdrive, 1.81-2.75d, .50w, 2-29, 2-31  
 Clamp, Hose, Wormdrive, 2.50-3.50d, .50w, 2-77, 2-93, 2-99  
 Clamp, Hose, Wormdrive, 3.56-4.50d, .50w, 2-93, 2-99, 2-103  
 Clamp, Hyd, 0.50d, 2-67, 2-69  
 Clamp, Mtg, Fitr, Air, 2-29, 2-31  
 Clamp, Tension [Mit #29], 5-29  
 Clevis, Adj, 0.25 Pin, 0.25-28 Rh, Pl, 2-51  
 Clevis, Adj, 0.25pin, 0.25-28left Pl, 2-51  
 Clevis, Adj, 0.31pin, 0.31-24, 2-51  
 Clip, Grip, Finger, .875-1.25, 3-47  
 Clip, Grip, Finger, 0.88-1.25d, 3-25  
 Clip, Grip, Finger, 1.00-1.88d White,Vyl, 3-45, 3-53  
 Clip, Keeper, Open, 2-37  
 Clip, Tie, 0.25d, Plstc (PRO PANEL ONLY), 2-97  
 Coil, Ignition [Mit 2.0/2.4], 5-19  
 Column, Pump, Water, 4-3  
 Complete Pump Kit, Pump, Repair,, 4-17  
 Connector, Fem, 02cav, Mp280 Sealed, 4-17  
 Connector, Fuel, Qf, 2-41  
 Control Box Assy Kit, Replmt, Telem [CAN], 3-43  
 Control Box Assy Kit, Replmt, Telem [USA], 3-43  
 Controller Kit, Replmt [Ec-H20], 4-19  
 Coupler, Pump, 4-7  
 Coupling, Flywheel [Mit20/24m], 5-18  
 Coupling, Nozzle, Spray, 3-47  
 Cover, 5-5  
 Cover Assy, Front, Upper [T-Belt], 5-7  
 Cover Assy, Rocker, 5-4  
 Cover Kit, Soltn Tank, Rh [M20 & T20], 2-89  
 Cover Kit, Tank, Soltn, Lh, Replmt, 2-90  
 Cover Kit, Tank, Soltn, Lh, Replmt, Ce (Japan and Europe Only), 2-90  
 Cover Kit, Tank, Soltn, Rh, Replmt, Ce (Japan and Europe Only), 2-89  
 Cover Wldt, Power Supply, 3-25  
 Cover, Backrest, 4-21  
 Cover, Cushion, 4-21  
 Cover, Dust [Mit 2.0], 5-18  
 Cover, End, 4-7  
 Cover, Fuse, Block, 2-45  
 Cover, Hppr, 2-61, 3-59  
 Cover, Lower, 2-13, 2-19  
 Cover, Lower, Front [T-Belt], 5-7

Cover, Rear [T-Belt], 5-7  
 Cover, Tank, 2-97  
 Cover, Tank, Recvy, Trimmed, 2-97  
 Cover, Tank, Soltn, Lh, Trimmed, 2-90  
 Cover, Tank, Soltn, Lh, Trimmed, Ce (Japan and Europe Only), 2-90  
 Cover, Tank, Soltn, Rh, Trimmed, 2-89  
 Cover, Tank, Soltn, Rh, Trimmed, Ce (Japan and Europe Only), 2-89  
 Cover, Timing, Gear [Mit 2.0/2.4], 5-9  
 Cover, Trimmed, 3-25  
 Crank Kit, Pump, F/79323, Replmt, 4-16  
 Crankshaft Assy, 5-10  
 Crossmember Wldt [M20], 2-79  
 Cup Holder, Rwk, 2-11  
 Cylinder Assy, Head, Bolt, 5-5  
 Cylinder, Hyd, 1.5b 07.8l 02.75strk 2500, 2-65, 3-9  
 Cylinder, Hyd, 1.5b 07.8l 02.80strk 2500, 2-71, 2-75, 2-83, 2-87, 3-9  
 Cylinder, Hyd, 2.0B 24.1L 15.00Strk 3000, 2-57  
 Cylinder, Hyd, 2.0b, 15.2l, 09.00strk, 3000, 2-47

**D**

Detergent, Pkg, 2 Liter, Sgl [665], 3-17  
 Diaphragm Kit, Pump, Repair,, 4-17  
 Diode, Ele, Plug, 2-45  
 Dipstick Assy, Guage, 5-3  
 Dipstick, Guage, Guide, 5-3  
 Dipstick, Oil, 5-3  
 Door Wldt, Brush, 2-67, 2-69  
 Door Wldt, Brush, Idler, 2-67, 2-69  
 Door Wldt, Brush, Lh, 2-87  
 Door Wldt, Brush, Rh, 2-83  
 Door Wldt, Hppr, 2-65  
 Drain, Water, Joint, 5-3  
 Drive, 4-8  
 Drive [Cl], 4-9  
 Drive, Motor, Hyd, 4-5

**E**

ec- H2O Kit, Flush, Replmt[M20, M30&T20], 3-27  
 Elbow, 5-21  
 Elbow, 1/8m X 1/8f, 90 [Mit], 5-15  
 Electrode, 5 Plate, High Flow, 4-19  
 Electrode, Cylindrical, 4-19  
 Element, Fitr, Air [Dn], 2-29, 2-31  
 Element, Fitr, Air, Safety (OPTION), 2-29, 2-31  
 Element, Fitr, Oil, Spin-On (Mits), 1-1, 2-21, 2-23, 5-21  
 End Cap, 4-8  
 End Cap, Motor, Hyd [En], 4-9  
 Engine, Block, Long [Mits 12mm] (See Engine Breakdown), 2-21, 2-23  
 Extinguisher Kit, Fire, Ci [M20/T20/M30], 3-60

# CROSS REFERENCE

Extinguisher, Fire, 2.5 Lb Dry, 3-60

## F

Fan Kit, Scb, Replmt [M20/T20/M30], 2-101  
 Fan Wldt, Vac, Inlet, 2-103  
 Fan, Cooling, 14.1d, 6 Blade, 0.5b Taper, 2-33  
 FaST Kit, Ci [inj Reblld, M30/M20 III], 4-24  
 FaST Kit, Ci, Injector Filters[FaST li+], 4-24  
 FaST Kit, Injector [M20/T20/M30 FaST III] (See Breakdowns), 3-17  
 FaST Kit, Injector [M20/T20/m30 FaST III], 4-24  
 FaST Kit, Seal, injector, Ci [FaST III], 4-24  
 Filter Assy, Air, 2-29, 2-31  
 Filter Assy, Hyd, 10mic, 1-1, 2-119  
 Filter Kit, Fuelock, Lpg, 1-1, 5-29  
 Filter, Fuel [Gm 1.6/3.0l], 1-1, 2-41  
 Filter, In-Line, Pf06/Pf06 080mesh 02.6l, 3-17, 3-27  
 Filter, Panl, Syn, 4.2 X 20.0 X 30.0, 1-1, 2-61  
 Filter, Soltn, 020mesh, Pm12 3.1d 02.6l, 3-55  
 Filter, Soltn, 020mesh, Pm12 3.2d 08.0l, 3-5  
 Filter, Soltn, 20mesh, Pm12 3.1d 02.6l, 1-1, 2-90  
 Filter, Y, In-Line, .75, 3-55  
 Fitting Assy, Qdc, Pf04, 3-27  
 Fitting Kit, Hose, Garden, 3-3  
 Fitting, 1/2 Mpt X 5/8bh 90deg [Mit], 5-23  
 Fitting, 1/2 X 5/8 Hose, Plastic[Mit], 5-29  
 Fitting, 1/4mpt X 1/4mpt, 90deg[Mit], 5-29  
 Fitting, 1/8 Mpt X 3/8 Hb [Mit], 5-15  
 Fitting, 37deg [Mit], 5-7  
 Fitting, Alm, Str, Bm24/Bm48, 3-45  
 Fitting, Barb, 3/4" [Epr], 5-30  
 Fitting, Brs, E90, Bm06/Pm04, 2-27  
 Fitting, Brs, E90, Bm12/Pm12, 3-55  
 Fitting, Brs, E90, Em05/Pm04, 2-41  
 Fitting, Brs, E90, Pf04/Pm04, 2-43  
 Fitting, Brs, E90, Pf06/Pm06, Spcl, 3-55  
 Fitting, Brs, E90, Pf08/Pm06, 3-55  
 Fitting, Brs, E90, Pm02/Bm03, 2-63, 3-5  
 Fitting, Brs, Qdc, Bm12/Qf08, 3-3  
 Fitting, Brs, Qdc, Pf04, Lpg Fem, 2-43  
 Fitting, Brs, Qdc, Pf08 [Parker Bh3f], 3-3  
 Fitting, Brs, Snubber, Pm02/Pf02, 3-27  
 Fitting, Brs, Str, Bm06/Pm02, 2-25  
 Fitting, Brs, Str, Bm06/Pm06, 2-25, 2-27  
 Fitting, Brs, Str, Bm12/Pm08, 3-55  
 Fitting, Brs, Str, Bm12/Pm12, 3-55  
 Fitting, Brs, Str, Pf02/Pm02 [Bspit], 2-25  
 Fitting, Brs, Str, Pf02/Pm06, 3-27  
 Fitting, Brs, Str, Pf04/Pf04, Bh, 2-43  
 Fitting, Brs, Str, Pf06/Pf06 Bh, 3-47  
 Fitting, Brs, Str, Pf06/Pm04, 2-25, 2-27, 3-53  
 Fitting, Brs, Str, Pf06/Pm12, 3-47

Fitting, Brs, Str, Pm04/Pm06 [Hp], 3-53, 3-55  
 Fitting, Brs, Str, Pm06/ Pm06, 3-55  
 Fitting, Brs, Str, Pm08/Garden Hose, 3-47  
 Fitting, Brs, Tee, Pf04/Pf04/Pm04, Run, 2-43, 3-17  
 Fitting, Draincock, E90, .25npt, 2-39  
 Fitting, E, Gr, 4-3  
 Fitting, E90, 5-22  
 Fitting, Fuel, Str, 0.38- 24 [07 Eng], 2-41  
 Fitting, Fuel, Str, 0.56- 18 [07 Eng], 2-41  
 Fitting, Fuel, Str, M10x1.0, 2-41  
 Fitting, Grease, Str Pm04 .47l, 2-57, 2-65, 2-71, 2-79  
 Fitting, Grease, Str Pm04 .63l, 2-47  
 Fitting, Hose, Plastic, 5-29  
 Fitting, Hyd, Cap, Jf04, 2-117  
 Fitting, Hyd, Cap, Jf08, 2-117, 3-13  
 Fitting, Hyd, E45, Jf08/Jm08, 2-121, 3-57  
 Fitting, Hyd, E45, Jf10/Jm10, 2-115  
 Fitting, Hyd, E45, Jm04/Om04, 3-13  
 Fitting, Hyd, E45, Jm04/Om06, 2-47, 2-57  
 Fitting, Hyd, E45, Jm06/Om06, 2-15, 2-47  
 Fitting, Hyd, E45, Jm08/Om08, 2-121, 3-13  
 Fitting, Hyd, E45, Jm08/Om10, 2-101, 2-115  
 Fitting, Hyd, E45, Jm10/Om12, 2-47  
 Fitting, Hyd, E45, Jm12/Om16, 2-119  
 Fitting, Hyd, E45, Jm20/Om20, 2-119  
 Fitting, Hyd, E90, Jf04/Jm04, 2-69  
 Fitting, Hyd, E90, Jf06/Jm06, Long, 3-13  
 Fitting, Hyd, E90, Jf08/Jm08, 2-117  
 Fitting, Hyd, E90, Jm04/Om04, 2-65, 2-75, 2-83, 2-87, 2-121, 3-9  
 Fitting, Hyd, E90, Jm04/Om06, 2-57, 3-57  
 Fitting, Hyd, E90, Jm04/Pm02, 2-119  
 Fitting, Hyd, E90, Jm06/Om04, 2-71, 2-101, 2-103, 3-9  
 Fitting, Hyd, E90, Jm06/Om06, 2-121  
 Fitting, Hyd, E90, Jm06/Om06, Long, 2-121  
 Fitting, Hyd, E90, Jm06/Om08, 2-115  
 Fitting, Hyd, E90, Jm08/Om08, 2-67, 2-69, 2-103, 2-115, 3-13  
 Fitting, Hyd, E90, Jm08/Om08, Long, 2-121  
 Fitting, Hyd, E90, Jm08/Om10, 3-7  
 Fitting, Hyd, E90, Jm10/Om12, 2-115  
 Fitting, Hyd, E90, Jm12/Om12, 2-117  
 Fitting, Hyd, E90, Jm12/Om12, L, 2-117  
 Fitting, Hyd, E90, Om04/Qm04, 2-121, 3-13  
 Fitting, Hyd, Plug, Om04, 2-121, 4-13  
 Fitting, Hyd, Plug, Om06, 2-119, 2-121  
 Fitting, Hyd, Plug, Om08, 4-7  
 Fitting, Hyd, Plug, Om10, 2-119  
 Fitting, Hyd, Rst, Jf04/Jm04, .028, 2-57  
 Fitting, Hyd, Rst, Spcl, 2-83, 2-87  
 Fitting, Hyd, Str, Jf06/Jm04, 2-117  
 Fitting, Hyd, Str, Jm04/Om04, 2-67, 2-69, 2-121  
 Fitting, Hyd, Str, Jm04/Om06, 3-13, 3-57

Fitting, Hyd, Str, Jm06/Om06, 2-15, 2-119, 3-13, 3-15  
 Fitting, Hyd, Str, Jm06/Om06, Long, 2-121, 3-15  
 Fitting, Hyd, Str, Jm08/Om06, 2-15  
 Fitting, Hyd, Str, Jm08/Om08, 2-103, 2-115, 2-119, 3-13  
 Fitting, Hyd, Str, Jm08/Om10, 2-101  
 Fitting, Hyd, Str, Jm08/Om12, 3-57  
 Fitting, Hyd, Str, Jm10/Om10, Long, 2-121  
 Fitting, Hyd, Str, Jm10/Om12, 2-47  
 Fitting, Hyd, Str, Jm20/Om16, 2-115  
 Fitting, Hyd, Str, Om04/Qm04, 2-121, 3-13  
 Fitting, Hyd, Str, Pf02/Pm04, 2-43  
 Fitting, Hyd, Tee, Jf06/Jm06/Jm06, Run, 2-103  
 Fitting, Hyd, Tee, Jf08/Jm08/Jm08, Br, 2-101  
 Fitting, Hyd, Tee, Jm08/Jm08/Om08, Br, 2-121  
 Fitting, Hyd, Tee, Jm08/Jm08/Om08, Run, 3-57  
 Fitting, Nyl, Qdc, E90, Bm08/ Qm10, 3-17, 3-27  
 Fitting, NylY, Qdc, E90, Bm06/ Qm10, 3-17  
 Fitting, Pipe, Plug, Pm02, Sq Head, 2-41  
 Fitting, Pipe, Str, Pm04/Sf04, 2-43  
 Fitting, Plstc, Cap, Pf12 Hex, 2-95  
 Fitting, Plstc, E90, Bm05/Bm05, Nyl, 3-27  
 Fitting, Plstc, E90, Bm06/Bm06, 3-5, 4-19  
 Fitting, Plstc, E90, Bm06/Pm04, Nyl, 3-17  
 Fitting, Plstc, E90, Bm06/Pm12, Nyl, 3-3  
 Fitting, Plstc, E90, Bm08/Bm08, 3-27  
 Fitting, Plstc, E90, Bm08/Pf08s, Swivel, 3-47  
 Fitting, Plstc, E90, Bm08/Pm04, 3-27  
 Fitting, Plstc, E90, Bm08/Pm06, 3-27, 3-47  
 Fitting, Plstc, E90, Bm08/Pm12, Nyl, 3-17, 3-27  
 Fitting, Plstc, E90, Bm10/Pm08, 3-3  
 Fitting, Plstc, E90, Bm10/Pm12, 3-3, 3-17, 3-27  
 Fitting, Plstc, E90, Bm12/Pf08, 3-55  
 Fitting, Plstc, E90, Bm12/Pf12, 3-5  
 Fitting, Plstc, E90, Bm12/Pm08, 3-3  
 Fitting, Plstc, E90, Bm12/Pm12, 3-3, 3-5  
 Fitting, Plstc, E90, Pf Bm [Es Pump], 4-3  
 Fitting, Plstc, E90, Pf12/Pm12, 2-90  
 Fitting, Plstc, Pf12/Pf12, Bh, 2-90, 3-3, 3-55  
 Fitting, Plstc, Pipe, Cap, Pf04, 3-17, 4-19  
 Fitting, Plstc, Str, Bm04, Cplg, Fem, 3-17  
 Fitting, Plstc, Str, Bm04/Bm08, 3-27  
 Fitting, Plstc, Str, Bm04/Pm04, 3-27  
 Fitting, Plstc, Str, Bm05/Pm04, 3-27  
 Fitting, Plstc, Str, Bm06/Bm08, 3-31  
 Fitting, Plstc, Str, Bm06/Pm04, 3-17, 4-19  
 Fitting, Plstc, Str, Bm06/Pm06, 3-17  
 Fitting, Plstc, Str, Bm08/Pf08s, Swivel, 3-47  
 Fitting, Plstc, Str, Bm10/Bm10, 2-95  
 Fitting, Plstc, Str, Bm10/Bm12, 2-95  
 Fitting, Plstc, Str, Bm10/Pm12, 2-95

Fitting, Plstc, Str, Bm12/Pm08, Nyl, 3-3, 4-3  
 Fitting, Plstc, Str, Bm12/Pm12, 2-95  
 Fitting, Plstc, Str, Pf06/Qm10, Pvc, 3-27  
 Fitting, Plstc, Str, Pm02/Bm05, 4-19  
 Fitting, Plstc, Str, Pm04, Cplg, Mal, 3-17  
 Fitting, Plstc, Str, Pm04/Pm06, Nyl, 3-27  
 Fitting, Plstc, Str, Pm08/Pm08, 3-3  
 Fitting, Plstc, Str, Pm12/Pm12 1.60l, 3-3, 3-17, 3-27  
 Fitting, Plstc, Tee, Bm04/Bm04/Bm04, 3-17  
 Fitting, Plstc, Tee, Bm06/Pm02/Bm06, 4-19  
 Fitting, Plstc, Tee, Bm08/Bm10/Bm10, Br, 3-19, 3-21, 3-29, 3-31, 3-47  
 Fitting, Plstc, Tee, Bm10/Bm10/Bm10, Nyl, 3-11  
 Fitting, Plstc, Tee, Pf08/Pf08/Pf08, 3-3  
 Fitting, Plstc, Tee, Pf12/Pf12/Pf12, 3-3, 3-17, 3-27  
 Fitting, Plstc, Y, Bm08/Bm08/Bm08, Nyl, 3-17, 3-21, 3-31  
 Fitting, Plug, Org, #6, Valve [Cec], 4-11, 4-13  
 Fitting, Ss, Qdc, Fem, 3-53  
 Fitting, Ss, Qdc, Mal, 3-53, 3-55  
 Fitting, Str, 10-10 Orb, 37fi [Mit], 5-21  
 Fitting, Tee, Pf12/Pf12/Pf12, Brs, 3-55  
 Flange Mounting, 4-8  
 Flange, Motor, Hyd [En], 4-9  
 Flange, Sprocket, Cshft, 5-11  
 Flap, Battery, 2-11  
 Flapper, Valve, Pump, Water, 4-3  
 Flywheel, Flatface [Mit 20/24m], 5-18  
 Frame Wldt, Lift, Hppr, 2-57  
 Frame Wldt, Main, Replmt [M20 & T20], 2-5  
 Frame Wldt, Sqge, Lh, 2-85  
 Frame Wldt, Sqge, Rh, 2-81  
 Fuelline, .31d Str/Str, Plstc, 2-41  
 Fuelline, .31d Str/Str, Plstc [Mit 2013], 2-41  
 Fuelline, .31d Str/Str, Plstc [M20/T20 07], 2-41  
 Fuse, 015a, 2-45  
 Fuse, 10 Amp, 2-143  
 Fuse, 20 Amp, [Min-20], 2-143  
 Fuse, 5 Amp, [Min-5], 2-143  
 Fuse, Blade, 070a, 32vdc [Maxi], 2-143

**G**

Gasket, 5-5  
 Gasket, .25 1.88d 1.0id [Poron], 4-3  
 Gasket, 2.00, 07.87w 10.24l, Adh, 2-101  
 Gasket, 3.23id 3.63od .16th, Ure, 2-97  
 Gasket, 4.05id 5.29od .19 [Buna], 2-97, 4-3  
 Gasket, Case, Front, 5-12  
 Gasket, Cover, Fuse Block, 2-45  
 Gasket, Cover, Recvy Tank, 2-97  
 Gasket, Cover, Rocker, 5-4, 5-5  
 Gasket, Cylinder, Head, 5-5

Gasket, Exhaust, 2hole, 3.4bc, 2-35  
 Gasket, Hppr, Transition, 2-103  
 Gasket, Manifold, Exh [Mit], 5-16  
 Gasket, Manifold, Exhaust, 5-16  
 Gasket, Manifold, Intake, 5-15  
 Gasket, Oil, Adapter [Mit 2.0/2.4], 5-21  
 Gasket, Outlet, 5-22  
 Gasket, Plug, Drain, Oil, 5-7  
 Gasket, Pump, Water, 5-13  
 Gasket, Screen, 5-7  
 Gasket, Sender, Fuel, 2-41  
 Gasket, Sqge, 1-1, 2-77  
 Gasket, Throttle [Mit 40mm], 5-27, 5-28  
 Gasket, Water Supply [Mit 2.0/2.4l], 5-23  
 Gasspring, 180lb, 03.0strk, 2-13  
 Gauge, Sensing, Level, 2-119  
 Gear, Steering, 4-23  
 Gearbox Kit, Steering, Afmkt [M20/30/T20], 4-23  
 Gearbox Kit, Steering, Afmkt [M20/30/T20] (See Breakdowns), 2-15  
 Geroler, Motor, Hyd, 4-5  
 Gerotor Set, 4-8  
 Gerotor Set [CI], 4-9  
 Grill Wldt, Front, 2-17  
 Grill, Eng, 2-19  
 Grill, Side, 2-13  
 Grip, Handle, 2-93, 2-99, 3-65  
 Grommet, Blind, 4-19  
 Grommet, Pye, 0.37id, F/1.5h, .13 Matl, 3-5  
 Grommet, Rbr, 0.38id, F/0.5H, .12 Matl, 3-43  
 Grommet, Rbr, 0.50id, F/0.8h, .12 Matl, 3-38, 3-39  
 Grommet, Rbr, 0.62id, F/0.9h, .06 Matl, 3-25  
 Grommet, Rbr, 0.62id, F/0.9h, .12 Matl, 3-5  
 Grommet, Rbr, 1.00id, F/1.4h, .12 Matl, 3-57  
 Grommet, Rbr, 1.50id, F/1.8h, .19 Matl, 2-15, 2-63  
 Grommet, Rbr, 2.13id, F/2.5h, .12 Matl, 3-17, 3-27, 3-55  
 Guard Kit, Sqge, Ci [M20], 3-51  
 Guard Wldt, Brush, Side, 3-11  
 Guard Wldt, Sqge, 3-51, 3-63  
 Guard Wldt, Sqge [M20/T20/M30], 3-51  
 Guard Wldt, Sqge, Tie-Down, Side, Lh, 3-61  
 Guard Wldt, Sqge, Tie-Down, Side, Rh, 3-61  
 Guard Wldt, Top, Ohg, 3-41  
 Guard, Fan, Side, 2-33

**H**

Handle Wldt, Drain, 2-99  
 Handle, Gun, Trigger, 3-53  
 Handle, Valve, Pinch, Lh, 2-99  
 Handle, Valve, Pinch, Rh, 2-93  
 Hanger, Engine, 5-15

Harness, Ele [Ech2o, Interface], 3-34  
 Harness, Ele [Press. Wash], 3-53  
 Harness, Ele [Telem], 3-43  
 Harness, Ele, Adaptor [2f, Dt To Faston], 2-95  
 Harness, Headlight [M20 And T20], 2-140  
 Harness, Hppr, Cover [M20], 2-142  
 Harness, Hppr, Ele [M20/M30], 2-141  
 Harness, Jumper [Deutsch To Mpack], 4-11, 4-13  
 Harness, Main [M30/M20], 2-139  
 Harness, Manifold, Gas, 2-41  
 Harness, Spray, Nozzle, 3-47  
 Harness, Warning / Backup [M20 & T20], 3-35, 3-36, 3-37  
 Harness, Warning / Ohg [M20], 3-38, 3-39  
 Harness, Wire [Ec-H2o], 3-34  
 Harness, Wire [FaSt Gen 2, M20/T20], 3-23  
 Harness, Wire, Eng, Gas [Mit, 2.0l], 2-143, 5-25  
 Harness, Wire, Eng, Lpg [Mit, 2.0l], 2-143, 5-25  
 Head Assy, Cylinder [Mits 2015 12mm], 5-5  
 Head Kit, Cyl [Mitsubishi 2015 12mm], 5-5  
 Headlight, 12Vdc, Oval, Led, 2-5  
 Hinge Wldt, Shrd, Lh, 2-19  
 Hinge Wldt, Shrd, Rh, 2-13  
 Hinge, .38pin .11 3.5w 06.0l 6/0.38sl, 2-17  
 Hinge, .50pin .19 4.0w 06.0l 3/0.44sl, 2-83, 2-87  
 Hopper, Debris, Rm-Hg, Trimmed, 2-59  
 Horn, 12vdc, Dba [Wolo], 2-45  
 Hose Assy, Sqge, 2-97  
 Hose Assy, Upper, Tap [Mit], 5-29  
 Hose Assy, W/1cuff, 1.0d 09l 1.0/, 2-59  
 Hose Assy, W/2cuff, 1.5d 090l 1.5/1.5, 3-45  
 Hose Kit, Coolant, Replmt [Mitsubishi], 2-39  
 Hose, 90xstr, Filter, Oil, Remote [Mit], 5-21  
 Hose, Afmkt, Coolant Recvy, 05ft, 2-39  
 Hose, Afmkt, Pvc, Brd 0.38id 02ft, 3-5  
 Hose, Afmkt, Pvc, Brd 0.62id 08ft, 3-11  
 Hose, Afmkt, Pvc, Brd 0.62id, 01Ft, Clr, 3-5  
 Hose, Afmkt, Pvc, Brd 0.75id 01ft, 3-5  
 Hose, Afmkt, Pvc, Brd 0.75id 08ft, 3-3  
 Hose, Afmkt, PVC, Brd, 0.31id, 03Ft, Clr, 3-27, 4-19  
 Hose, Afmkt, Pvc, Brd, 0.38id, 01ft, Clr, 4-19  
 Hose, Afmkt, Pvc, Brd, 0.38id, 02ft, Clr, 3-31, 4-19  
 Hose, Afmkt, Pvc, Brd, 0.38id, 03ft, Clr, 3-17  
 Hose, Afmkt, Pvc, Brd, 0.50id, 01ft, Clr, 3-17, 3-27  
 Hose, Afmkt, Pvc, Brd, 0.50id, 08ft, Clr, 3-19, 3-21, 3-31  
 Hose, Afmkt, Pvc, Brd, 0.50id, 12ft, Clr, 3-27, 3-29

## CROSS REFERENCE

- Hose, Afmkt, Pvc, Brd, 0.62id, 01ft, Clr, 2-95  
Hose, Afmkt, Pvc, Brd, 0.62id, 03ft, Clr, 3-21, 3-31  
Hose, Afmkt, Pvc, Brd, 0.62id, 08ft, Clr, 2-95, 3-19, 3-29  
Hose, Afmkt, Pvc, Brd, 0.75id, 08ft, Clr, 3-47  
Hose, Afmkt, Pvc, Clr, 0.25id, 02ft, 3-17  
Hose, Afmkt, Pvc, Clr, 0.25id, 03ft, 3-27  
Hose, Afmkt, Pvc, Clr, 0.38id, 01ft, 3-17  
Hose, Afmkt, Pvc, Clr, 0.38id, 03ft, 3-17  
Hose, Afmkt, Pvc, Clr, 0.50id, 08ft, 3-21  
Hose, Afmkt, Pvc, Wir, 0.50id, 03ft, Clr, 3-17  
Hose, Afmkt, Pvc, Wir, 0.75id, 08ft, Clr, 3-55  
Hose, Afmkt, Rbr, Heater, 0.38id, 03ft, 2-25, 2-27  
Hose, Afmkt, Vacuum, 0.16id, 01ft, 3-5  
Hose, Afmkt, Vacuum, 0.16id, 03ft, 2-63  
Hose, Coolant, Molded [Mit 20/24m], 5-29  
Hose, Coolant, Upper, Mold [Mit 2013], 2-39  
Hose, Drain, 3.00id X 48.0l, 2-93, 2-99  
Hose, Drain, Oil [Mit 20/24m], 5-7  
Hose, Drain, Overflow, Radiator [1pick=1ft], 2-29, 2-31  
Hose, Flex, Vacuum, 3.5d 32.0l, 2-103  
Hose, Fuel, 0.31id [Evap Emission 07], 2-41  
Hose, Fuel, .38d, Rbr [16"L], 5-15  
Hose, Fuel, 0.18id, 29.0l, 2-39  
Hose, Fuel, 0.50id, 21.0l, 2-41  
Hose, Fuel, Molded [Mit 20/24m], 5-29  
Hose, Heater, E90, 0.62id, 24.0 4.0, 3-21, 3-31  
Hose, Hyd, Med04, Jf04e90/Jf04str, 016.0, 2-111  
Hose, Hyd, Med04, Jf04e90/Jf04str, 072.0, 3-57  
Hose, Hyd, Med06, Jf06e90/Jf06str, 038.0, 3-15  
Hose, Hyd, Med06, Jf06str/Jf06str, 022.0, 2-109  
Hose, Hyd, Med06, Jf06Str/Jf06Str, 042.0, 2-109  
Hose, Hyd, Med08, Jf08str /Jf08e45, 21.0, 2-109  
Hose, Hyd, Med10, Jf10Str/Jf10Str, 036.0, 2-109  
Hose, Hyd, Med12, Jf12e90/Jf12str, 029.0, 2-109  
Hose, Hyd, Med12, Jf12str/Jf12str, 066.0, 2-109  
Hose, Hyd, Spcl, Jf04str/Jf04str, 124.0, 2-113  
Hose, Hyd, Spcl, Jf04str/Jf04str, 132.0, 2-111  
Hose, Hyd, Spcl, Jf04str/Jf04str, 138.0, 2-111  
Hose, Hyd, Spcl, Jf04str/Jf06str, 128.0, 2-113  
Hose, Hyd, Spcl, Jf10e90/Jf10str, 63.0, 2-107  
Hose, Hyd, Spcl, Jf10str/Jf10str, 56.5, 2-107  
Hose, Hyd, Suc20, Jf20e90/Jf20str, 032.0, 2-109  
Hose, Hyd, Tc 06, Jf06str /Jf06e45, 56.0, 2-111  
Hose, Hyd, Tc04, Jf04e45/Qm06, 026.0, 2-113  
Hose, Hyd, Tc04, Jf04e90/Jf04str, 020.0, 2-111  
Hose, Hyd, Tc04, Jf04str /Jf04str, 20.0, 3-15  
Hose, Hyd, Tc04, Jf04str /Jf04str, 39.0, 3-15  
Hose, Hyd, Tc04, Jf04str/Jf04str, 096.0, 2-111  
Hose, Hyd, Tc06, Jf04str/Jf04str, 033.0, 3-15  
Hose, Hyd, Tc06, Jf06e45/Jf06str, 110.0, 2-107  
Hose, Hyd, Tc06, Jf06e45/Jf06str, 45.0, 2-107  
Hose, Hyd, Tc06, Jf06str /Jf06str, 23.0, 3-15  
Hose, Hyd, Tc06, Jf06str/Jf06str, 054.0, 2-111  
Hose, Hyd, Tc06, Jf06str/Jf06str, 086.0, 3-15  
Hose, Hyd, Tc08, Jf08E45/Jf08Str, 026.0, 2-109  
Hose, Hyd, Tc08, Jf08e90/Jf08str, 018.0, 2-111  
Hose, Hyd, Tc08, Jf08e90/Jf08str, 046.0, 2-109  
Hose, Hyd, Tc08, Jf08e90/Jf08str, 13.0, 2-111  
Hose, Hyd, Tc08, Jf08str/Jf08e90, 012.0, 3-13  
Hose, Hyd, Tc08, Jf08str/Jf08e90, 031.0, 2-109  
Hose, Hyd, Tc08, Jf08Str/Jf08Str, 021.0, 2-109  
Hose, Hyd, Tc08, Jf08str/Jf08str, 031.0, 2-109  
Hose, Hyd, Tc08, Jf08str/Jf08str, 034.0, 3-15, 3-57  
Hose, Hyd, Tc08, Jf08str/Jf08str, 039.0, 3-57  
Hose, Hyd, Tc08, Jf08str/Jf08str, 052.0, 3-57  
Hose, Hyd, Tc08, Jf08str/Jf08str, 084.0, 3-15  
Hose, Hyd, Tc08, Jf08str/Jf08str, 48.0, 2-111  
Hose, Hyd, Tc08, Jf0ee90/Jf08str, 72, 3-57  
Hose, Hyd, Tc08, Jf0ee90/Jf08str, 96, 2-107  
Hose, Hyd, Tco4, Jf04Str/Qm06, 028.0, 2-113  
Hose, Hyd, Med04, Jf04str/Jf04str, 066.0, 2-107  
Hose, Hyd, Tc 04, Jf04str /Jf04e45 , 35.0, 2-113  
Hose, Intake, Mold [Epdm Mit 2013], 2-29, 2-31  
Hose, Intake, Mold, 2.00id [Epdm], 2-29, 2-31  
Hose, Intake, Mold, Gas [Epdm Mit 2013], 2-29  
Hose, Intake, Mold, Lpg [Epdm Mit2013], 2-31  
Hose, Lpg, Med05, Pm04str/Sm04str, 14.0l, 2-43  
Hose, Lpg, Med05, Pm04str/Sm04str, 55.0l, 2-43  
Hose, Pvc, Brd, 0.62id 0.88od 09.00l, 3-3  
Hose, Pvc, Clr, 0.38id 0.56od 48.00l, 3-3, 3-5  
Hose, Pvc, Clr, 0.38id 0.56od 022.0l, 2-39  
Hose, Pvc, Clr, 0.50id 0.69od 26.00l, 3-11  
Hose, Pvc, Clr, 0.50id 0.69od 30.00l, 2-45  
Hose, Rbr, 25ft, 3-53  
Hose, Rbr, E90, 1.25id 1.25id 04.2 03.1, 2-39  
Hose, Vacuum, 3.00id X 019.0l, 1cuff, 2-77  
Hose, Water, Coil, 3-47  
Housing, 4-7  
Housing Assy, Vacfan, Swpr, 2-103  
Housing Kit, Pump, Water, 4-3  
Housing Wldt, Brush, Drive, 2-67, 2-69  
Housing, Bottom, 4-19  
Housing, Brg, Motor, Hyd, 4-5  
Housing, Cplg, Qf / Pm08, 3-27  
Housing, Fan, Radial Discharge, Sq Inlet, 2-101  
Housing, Flywheel [Mit 2.0l], 5-18  
Housing, Gear, Bottom, 4-23  
Housing, Gear, Top, 4-23  
Housing, Motor, Hyd [En], 4-9  
Housing, Sppt, Front Wheel, 2-47  
Housing, T-Stat, 2 Holes [Mit], 5-22  
Housing, Thermostat, 5-22  
Housing, Valve, 4-5  
Housingl, 4-8  
Hsg & Switch Kit, Pump, Repair,, 4-17  
Hub Assy, Wheel, 5 Bolt 4.50bc Taper B, 2-47  
Hub, Drive, Brush, Disk, 1.00b [6t], 3-7

## I

- Idle Door Kit, Replmt [M20/T20/M30/T12], 2-67, 2-69  
Impeller, 11.81d X 0.500b, 2-101  
Impeller, 9.00d X 1.40w X 0.376b, 2-103  
Indicator, Press, 60psi, 2-119  
Insert, :Lrg [Venturi, FaST III], 4-24  
Insert, Cap, Mount, Es Pump, 4-3  
Insert, Cplg, Qm, Bm08, 3-27  
Insert, Plt, Cam, Pump, Hyd, 4-7  
Instr, Maint, Wall Chart [M20], 3-66  
Instr, Motor, Hyd, Repair [En], 4-9  
Instr, Repair, Motor, Hyd, Gear, 4-5  
Instr, Repair, Pump, 4-7

Instr, Valve, Steering, Repair, 4-15  
 Instr. Repair Info, Motor, 4-8  
 Insulation, Flame-Retardant, 0.5, 2-41  
 Insulation, Flame-retardant, 0.75-0.88, 2-9, 2-13  
 Insulation, Flame-Retardant, 1.0, 2-13  
 Insulation, Thermal, Hydraulic Blanket, 2-119  
 Isolator, 5-25, 5-29  
 Isolator, Box, Relay, 2-25, 2-27  
 Isolator, Rbr, 2-35  
 Isolator, Vib, .50d, 2-21, 2-23  
 Isolator, Vib, Bshg, 1.1d 0.6l .4b 0.78h, 2-37, 2-101, 2-103

**K**

Key, 5-10  
 Key-Wdruff 0.25 1.00, 4-8  
 Key, Ignition [Set of 2], 1-1, 2-11  
 Key, Motor, Hyd, 4-5  
 Key, Shaft, Pump, Hyd, 4-7  
 Key, Sq, 0.12 X 0.12, 0.50l, 2-33  
 Key, Sq, 0.19 X 0.19, 0.50l, 4-23  
 Key, Sq, 0.25 X 0.25, 1.25l, 2-67, 2-69  
 Key, Woodruff, 0.25 1.00 [Asa#0808], 4-9  
 Keychain, Rectangle, Parts & Service, 2-11  
 Kit, Bellows, Pump, Detgt, 4-16  
 Kit, Brush, Motor, Ele, 4-3  
 Kit, Valve, Check, Pump, Water, 4-3  
 Knob Assy, Star, 1.12d 3ear M10, Yellow, 2-79  
 Knob, Star, 2.75d 4ear, M8x1.25 Fem, 2-77  
 Knob, Tee, 0.38- 16, 2.5 X 1.0 1.1l, Plstc, 2-15  
 Knobs, Adjmt, Weight, 4-21

**L**

Label [User, Attention, ec- H2O], 2-145  
 Label Set, Brush Indicator & Removal, 2-145  
 Label Set, Hi Temp, 2-145  
 Label Set, Info/Hzrd, Swpr / Scrbr, 2-145  
 Label Set, Info/Hzrd, Swpr / Scrbr, Tj (Japan Only), 2-145  
 Label, Caution [Apply Parking Brake], 2-145  
 Label, Caution [Apply Parking Brake] (Japan Only), 2-145  
 Label, Instrument Panel, Rh, [Drago], 2-11  
 Label, Logo, 05.75L 2Color [ES], 2-145  
 Label, Logo, 07.95L 2Color [FaST], 2-145  
 Label, Logo, 12.3L 4Color [ec-H2O], 2-145  
 Label, Logo, 16.9L 4Color [ec-H2O], 2-145  
 Label, Model, 2Color [M20], 2-145  
 Label, Opertnl, Telem [Fcc/lc], 3-43  
 Label, Switch, Rocker [Drago], 2-11  
 Latch, 2-13, 2-63, 2-89, 2-90, 3-65  
 Latch Assy, Mtg, Tank, Lpg, W/Nut, 2-43

Latch Kit, Cover, Soltn, Replmt[M20/T20], 2-89, 2-90  
 Latch, Cmpr, Yel Grip, 2-67, 2-69  
 Latch, Door, Yellow, 2-19, 2-81, 2-85  
 Latch, Hook, Yellow, 2-83, 2-87  
 Latch, Yellow, 2-61, 3-49, 3-59  
 Lever, Latch, 3-65  
 Light Kit, Flsh, Ci [M20 And T20], 3-36  
 Light Kit, Flsh, W/Ohg, Ci[M20 And T20], 3-38  
 Light Kit, Strobe, Ci [M20 And T20], 3-37  
 Light Kit, Strobe, W/Ohg, Ci [M20 And T20], 3-39  
 Light, Strobe, Amb, 12- 48vdc [Led], 3-36, 3-37, 3-38, 3-39  
 Light, Tail, 12vdc, 2-63  
 Link Assy, Rod-End, M12, 2-75  
 Lock- Off, 12v, Lpg [Mit], 5-29  
 Lock, Secondary, 2cav, Mp280 Sealed, 4-17  
 Loom, Convolved, Split 5/8 [Mit], 5-15

**M**

Magnet, Drive Brush, 2-43  
 Maint Kit, 800hr [M20/T20/M30 Lpg 2010], 1-1  
 Maint Kit, Gas, 800hr[M20/T20], 1-1  
 Manifold, Bar, Spray, 37.5inch, 2-95  
 Manifold, Exhaust [Mit 2.0/2.4l], 5-16  
 Manifold, Fuel [2.4l Mit], 5-26  
 Manifold, Gas, Relief, Valve, 2-41  
 Manifold, Intake [Mit 20/24m Tilt], 5-15  
 Manifold, Water, 3-27  
 Manual, Oprtr [M20 G, En, Na Sn 8000-], 3-66  
 Manual, Oprtr [M20 G, Es, Na Sn 8000-], 3-66  
 Manual, Oprtr [M20 G, Fr, Na, Sn 8000-], 3-66  
 Manual, Oprtr [M20 G/Lp, Ptb, Sn 8000-], 3-66  
 Manual, Oprtr [M20 G/Lpg, Cn, Sn 8000-], 3-66  
 Manual, Oprtr [M20 G/Lpg, Jp, Sn 8000-], 3-66  
 Manual, Parts [M20 Gas/Lp, Na Sn 8000-], 3-66  
 Manual, Service, [M20/M30 G/D, Sn 8000-], 3-66  
 Manual, Service, Cd- Rom [Mit2.0l], 3-66  
 Mat, Floor, 2-7  
 Media, Cd- Rom, Training [ec- H2O Tennant], 3-66  
 Mirror, Convex, 0.50D, 3-41  
 Mixer , Lpg, 5-30  
 Module Kit, Replmt [Ec- H20], 4-19  
 Module Kit, Replmt [Ec- H20] (See Breakdowns), 3-25  
 Module, Ecu, Gas [Mit 2.0l 2013], 5-25  
 Module, Ecu, Lpg [Mit 2.0l 2013], 5-25  
 Molding, Afmkt, Trim, Pvc, .08 .11, 01Ft, 3-25

Molding, Afmkt, Trim, Pvc, .08 .11, 1ft, 2-7  
 Molding, Trim, Pvc, .08- .11 06.8l, 2-37  
 Molding, Trim, Pvc, .08- .11 13.2l, 2-41  
 Molding, Trim, Pvc, .18- .31 07.5l, 2-63  
 Motor Kit, Pump, Repair,, 4-17  
 Motor Kit, Replmt [M20/T20/M30], 2-101  
 Motor, Ele 12Vdc, Shagr, 2-61  
 Motor, Ele, 12vdc, Pump, Water, 4-3  
 Motor, Ele, Gear, 14vdc, Pump, Detgt, 4-16  
 Motor, Hyd Gear In 4.5 B 1500, 4-8  
 Motor, Hyd, Gear, [Int], 19.0 X 3000, 4-5  
 Motor, Hyd, Gear, Ext 0.17 Lh 3000, 2-101, 2-103  
 Motor, Hyd, Gear, Int 04.5 Bi- Dir 1500, 2-67, 2-69  
 Motor, Hyd, Gear, Int 08.9 Bi- Dir 2500, 3-7, 4-9  
 Motor, Hyd, Gear, Int 19.0 Bi- Dir 3000 (See Breakdowns), 2-47  
 Mount Wldt, Valve, Pinch, Lh, 2-99  
 Mount Wldt, Valve, Pinch, Rh, 2-93  
 Mount, Cable Tie, 3-43  
 Mount, Fltr, Remote, 5-21  
 Muffler, Catalytic [Mit 2.0l 2013], 2-35  
 Muffler, Vacfan, 4.0id, 2-103

**N**

Nameplate, Tennant, Domed, 10 Inch, 2-17  
 Nipple, Hose, 3-47  
 Nozzle, 3-47  
 Nozzle Assy, Tool, Wand, 14.0 Inch, 3-45  
 Nozzle Kit, Spray, Ci, 3-47  
 Nozzle, Spray [Pressure Washer], 3-53  
 Nozzle, Spray, Gun, 3-47  
 Nut, 5-9, 5-10  
 Nut [2.4l Mit], 5-16  
 Nut- Hxslot .75- 16 Pltd, 4-8  
 Nut, Adj, Mtg, Tank, Lpg, 2-43  
 Nut, Coil, F/#8, 4-11, 4-13  
 Nut, Coil, Nyl Patch, 4-11, 4-13  
 Nut, Flange, 5-13  
 Nut, Flng, M05-0.8, 5-30  
 Nut, Flng, M8, 5-15, 5-19, 5-21, 5-22  
 Nut, Ftg, Hyd, 0.56- 18, 2-117  
 Nut, Hex, Flng, M5 X 0.8, 2-57  
 Nut, Hex, Flng, M6 X 1.00, 2-33, 2-37, 3-43  
 Nut, Hex, Flng, M8 X 1.25, 2-81, 2-85  
 Nut, Hex, Jam, .31- 24, 2-51  
 Nut, Hex, Jam, .50- 13, 3-65  
 Nut, Hex, Jam, .50- 20, 2-71, 3-9  
 Nut, Hex, Jam, .50- 20, Lh, 2-71  
 Nut, Hex, Jam, 1.12- 12, 2-15  
 Nut, Hex, Jam, M10 X 1.5, Ss, 2-43  
 Nut, Hex, Lock, .25- 20, NI, 2-41, 2-55, 2-103  
 Nut, Hex, Lock, .25- 20, NI, Ss, 2-53  
 Nut, Hex, Lock, .31- 18, NI, 2-13  
 Nut, Hex, Lock, .31- 18, NI, Thin, 2-13  
 Nut, Hex, Lock, .31- 24, NI, Thin, 2-103

## CROSS REFERENCE

- Nut, Hex, Lock, .38-16, NI, Ss, 2-43, 3-9  
Nut, Hex, Lock, .38-16, NI, Thin, 2-43, 2-55, 2-103  
Nut, Hex, Lock, .50-13, NI, Thin, 2-71  
Nut, Hex, Lock, .50-20, NI, Thin, 2-71  
Nut, Hex, Lock, #08-32, NI, 2-11  
Nut, Hex, Lock, M10 X 1.5, NI, 2-37, 2-43, 2-103, 2-117, 3-41, 3-51, 3-63  
Nut, Hex, Lock, M10 X 1.5, NI, Ss, 2-59, 2-65, 2-75, 2-79  
Nut, Hex, Lock, M12 X 1.75, NI, Ss, 2-71, 2-75  
Nut, Hex, Lock, M12 X 1.75, NI, 2-21, 2-23, 2-49  
Nut, Hex, Lock, M4 X 0.7, NI, 2-13, 2-19  
Nut, Hex, Lock, M4 X 0.7, NI, Ss, 2-19, 2-55, 2-81, 2-85, 3-3  
Nut, Hex, Lock, M4 X 0.70, NI, Ss, 3-25  
Nut, Hex, Lock, M5 X 0.8, NI, 2-13, 2-45  
Nut, Hex, Lock, M5 X 0.8, NI, Ss, 2-95, 3-11  
Nut, Hex, Lock, M5 X 0.80, NI, 3-25, 3-43, 3-47, 3-55  
Nut, Hex, Lock, M5 X 0.80, NI, Ss, 2-51, 3-21, 3-31, 3-35, 3-36, 3-37, 3-38, 3-39, 3-49  
Nut, Hex, Lock, M6 X 1.0, NI, 2-13, 2-17, 2-51  
Nut, Hex, Lock, M6 X 1.0, Ss, NI, 2-65, 2-73, 2-75, 2-95, 2-97, 2-99  
Nut, Hex, Lock, M6 X 1.00, NI, 2-7, 2-15, 2-29, 2-31, 2-33, 2-37, 2-41, 3-65  
Nut, Hex, Lock, M6 X 1.00, NI, Ss, 3-57  
Nut, Hex, Lock, M6 X 1.00, Ss, NI, 2-97  
Nut, Hex, Lock, M8 X 1.25, NI, 2-5, 2-29, 2-31, 2-33, 2-39, 2-41, 2-43, 2-45, 2-51, 2-55, 2-83, 2-87, 3-13  
Nut, Hex, Lock, M8 X 1.25, NI, Ss, 2-35, 2-59, 2-65, 2-71, 2-73, 2-75, 2-77, 2-79, 2-81, 2-85, 2-89, 2-93, 2-99, 2-101, 3-13  
Nut, Hex, M10 X 1.50 [Stover], 2-35  
Nut, Hex, Sltd, .75-16, 2-49, 2-69  
Nut, Hex, Sltd, .75-18, 2-67  
Nut, Hex, Sltd, 1.12-18, 2-47  
Nut, Hex, Sltd, M20 X 2.5, 8, 2-67, 2-69  
Nut, Hex, Std, .25-20, 2-25, 2-27  
Nut, Hex, Std, .25-28, 2-51, 2-53  
Nut, Hex, Std, .25-28, Lh, 2-51  
Nut, Hex, Std, .31-18, 3-41  
Nut, Hex, Std, .38-16, 2-35  
Nut, Hex, Std, M10 X 1.50, 2-61  
Nut, Hex, Std, M12 X 1.75, Ss, 2-83, 2-87, 2-101  
Nut, Hex, Std, M16 X 2.0, 2-17  
Nut, Hex, Std, M3 X 0.5, 8, 2-61  
Nut, Hex, Std, M5 X 0.8, 8, 2-55  
Nut, Hex, Std, M6 X 1.00, 8, 3-25  
Nut, Hex, Std, M8 X 1.25, 2-7  
Nut, Hex, Std, M8 X 1.25, Ss, 2-55, 2-83, 2-87  
Nut, Hex, Stover, M8, 2-35  
Nut, M10-1.25 Flg [Mit], 5-18  
Nut, M10-1.25, Hx Flg [Mit], 5-25  
Nut, M6-1.0 Flange [Mit], 5-25, 5-29  
Nut, M8-1.25 [Mit], 5-15  
Nut, Motor, Hyd, 4-5  
Nut, Solenoid, 4-11, 4-13  
Nut, Strainer, 5-7  
Nut, T, M10 X 1.50 X 15.80d X 13.0l, 2-81, 2-85  
Nut, Wheel, .50-20 X 60 Angle, 2-47
- O**
- O-Ring, 5-3, 5-5, 5-12  
O-Ring [Mit 208 Buna-N], 5-22, 5-23  
Ohg Kit, Ci [M20 And T20], 3-41  
Oil, Hyd [EI, Iso 100, 01gal], 1-1  
Oil, Hyd [EI, Iso 100, 05gal], 1-1  
Oil, Hyd [EI, Iso 32, 01gal], 1-1  
Oil, Hyd [EI, Iso 32, 05gal], 1-1  
Oil, Hyd [EI, Iso 68, 01gal], 1-1  
Oil, Hyd [EI, Iso 68, 05gal], 1-1  
Outlet, Water, W/Plug [Mit 2.0/2.4], 5-22
- P**
- Pad, Armrest, 4-21  
Pad, Pedal, Brake, 3.96l 2.36w 0.75, 2-51  
Pad, Tank, Hyd [W/Psa], 2-119  
Paint, Airdry, Blk, 12oz, 1-1  
Paint, Airdry, Gray, 12oz [Enamel], 1-1  
Paint, Airdry, Iron Gray, 12oz [Pwdr Coat], 1-1  
Paint, Airdry, Off-White, 12oz, 1-1  
Paint, Airdry, Teal, 12oz, Solid, 1-1  
Pan, Oil, 5-7  
Panel Assy, Instrmt, W/ Label, Afmkt, 2-11  
Panel Kit, Pod, Afmkt [Pro, M20/M30/T20] (Pro-Panel Only), 2-15  
Panel Kit, Pod, Afmkt [Std, M20/M30], 2-15  
Panel Wldt, Adj [2007], 2-7  
Panel Wldt, Filler, 2-5  
Panel Wldt, Gas, Replmt, 2-7  
Panel Wldt, Gas, Replmt [W/Fast], 2-7  
Panel Wldt, Gas, Replmt, TJ (Japan only), 2-7  
Panel Wldt, Gas, Replmt, TJ [W/Fast] (Japan only), 2-7  
Panel Wldt, Gas, Replmt, TJ, W/Es (Japan only), 2-7  
Panel Wldt, Gas, W/ Es, Replmt, 2-7  
Panel Wldt, LPG, Replmt, 2-7  
Panel Wldt, LPG, Replmt [W/Fast], 2-7  
Panel Wldt, LPG, Replmt, TJ (Japan only), 2-7  
Panel Wldt, LPG, Replmt, TJ [W/Fast] (Japan only), 2-7  
Panel Wldt, LPG, Replmt, TJ, W/Es (Japan only), 2-7  
Panel Wldt, LPG, Replmt, W/Es, 2-7  
Panel, Access, Door, 2-7  
Panel, Access, Floor, 2-7  
Panel, Filler, Filter [M20/30 Wet Sweep], 3-59  
Pawl, Str, 2-67, 2-69  
Pedal, Brake, Lock, 2-51  
Pedal, Propel, 2-53  
Pin Wldt, 3-9  
Pin Wldt, Front, 2-77, 3-7  
Pin Wldt, Pivot, Hppr, 2-5  
Pin, 0.63d 01.8l, 1/M10h, 2cham, 2-79  
Pin, 0.87d 01.8l, 1/M6 X 1.0, 1cham, Stl, 2-57  
Pin, 30mmd X 215mml, 2-5, 2-63, 3-11  
Pin, Arm, Safety, 2-57  
Pin, Clevis, 0.25d X 0.75l, 2-51  
Pin, Clevis, 0.31d X 1.00l, 2-51  
Pin, Clevis, 0.37d X 1.31l, 3-9  
Pin, Clevis, 0.37d X 1.50l, 3-9  
Pin, Clevis, 0.37d X 1.75l, 2-65, 2-71, 2-83, 2-87, 3-9  
Pin, Clevis, 0.37d X 2.00l, 2-75  
Pin, Clevis, 0.50 D X 4.50l, 2-53  
Pin, Clevis, 0.62d X 2.91l, 2-57  
Pin, Clevis, 0.75d X 2.00l, 2-71  
Pin, Clevis, 0.88d X 2.25l, 2-57  
Pin, Cotter, .062 X 0.50, 2-51  
Pin, Cotter, .094 X 1.00, 2-51, 2-57, 2-65, 2-75, 3-9  
Pin, Cotter, .125 X 1.00, 2-53, 2-83, 2-87  
Pin, Cotter, .125 X 1.25, 2-67, 2-69  
Pin, Cotter, .125 X 2.00, 2-47  
Pin, Cotter, .156 X 1.25, 2-71  
Pin, Cotter, .156 X 2.00, 2-49  
Pin, Cotter, Hair, 0.31d .058 Wir, 2-13  
Pin, Cotter, Hair, 0.38d .072 Wir, 2-71  
Pin, Cotter, Hair, 0.62d .120 Wir, 2-57  
Pin, Cotter, Hair, 1.00d .178 Wir, 2-5, 2-63, 3-11  
Pin, Dowel, 5-3, 5-9, 5-10, 5-12  
Pin, Dowel, 0.2502d X 1.00l, 4-23  
Pin, Dowel, Pump, Hyd, 4-7  
Pin, Flywheel [Mit 20/20m], 5-18  
Pin, Grvd, 0.43d 01.8l [303ss], 2-77, 3-7  
Pin, Hitch, .375d X 3.12l, Pl, 3-7, 3-51, 3-63  
Pin, Lift, Drain, 2-99  
Pin, Locating, Lpg, 2-43  
Pin, Locking, Steering, Tilt, 2-15  
Pin, Roll, .125 D X 0.75l, .125/.129, 2-63  
Pin, Roll, .187d X 1.62l, .187/.192, 2-5, 2-63, 3-11  
Pin, Spring, 5-9  
Pin, Valve, Steering, 4-15  
Pipe Kit, Exhaust, Replmt [Mako Mits], 2-35  
Piston Kit, 4-25  
Piston Set, Ring, 5-10  
Piston, Pin [Std A], 5-10  
Piston, Pin [Std B], 5-10  
Piston, Pin [Std C], 5-10  
Piston, Pump, Hyd, Gear, 4-5  
Pivot Wldt, Brush, Side, 3-9  
Plate Assy, Orifice, 0.0105ld, Green, 4-24  
Plate Wldt, Arm, Stop, 2-57

Plate Wldt, Hose, Vacuum, 2-101  
 Plate Wldt, Lift, Sqge, 2-75  
 Plate Wldt, Mtg, 3-25  
 Plate Wldt, Mtg, Fan, 2-101  
 Plate Wldt, Mtg, Solenoid, 2-63  
 Plate Wldt, Retainer, Sqge, 3-7  
 Plate Wldt, Seat, 2-13  
 Plate Wldt, Shaft, Fan [Shaft Extended], 2-33  
 Plate Wldt, Wrap, Brush, 2-71  
 Plate, Backing, Brake, 2-49  
 Plate, Bottom, Hppr, 2-65  
 Plate, Cam, 4-7  
 Plate, Cover, 4-7  
 Plate, Door, Clean- Out [Mit2013], 2-37  
 Plate, Hook, Latch, 3-49  
 Plate, Inspection, 3-25  
 Plate, Instrument, Rh [Drago], 2-11  
 Plate, Label, Soltn Tank (ec- H20 only), 2-90  
 Plate, Mtg [Epr], 5-29  
 Plate, Mtg, Ecu [Mit 2.0/2.4], 5-25  
 Plate, Mtg, Latch, 2-89, 2-90  
 Plate, Mtg, Light, Hp Spray (Flashing or Strobe Light Option Only), 3-55  
 Plate, Mtg, Prop Rod, 2-97  
 Plate, Mtg, Pump, 3-25, 3-47, 3-55  
 Plate, Mtg, Valve, 3-21, 3-31  
 Plate, Pin, Clevis, Upper, 2-57  
 Plate, Retainer, Door, Dump, 2-65  
 Plate, Seal, Sound, 2-19  
 Plate, Shield, Dust, 2-33  
 Plate, Shim, Guard, Sqge, Tie- Down, 3-61  
 Plate, Skirt, Front, 2-73  
 Plate, Spacer, Motor, Hyd [En], 4-9  
 Plate, Sppt, 2-51  
 Plate, Sppt, Tank, 2-97  
 Plate, Tank, Bottom, 2-97  
 Plate, Tensioner, Adj [Mit 2.0/2.4], 5-17  
 Plate, Valve, Motor, Hyd, 4-5  
 Plate, Valve, Pump, Hyd, 4-7  
 Plate, Water, Outlet [Mit Bypass], 5-23  
 Plate, Wear, Steering Valve, 4-15  
 Plate, Wldt, Mtg, Housing, 2-15  
 Plug, 4-5, 5-3  
 Plug #10, 4-8  
 Plug #4, 4-8  
 Plug Assy [Cl], 4-15  
 Plug Kit, Drain, Recvy, Ci [M20 & T20], 2-99  
 Plug Orifice, Valve, Hyd, .140, 4-13  
 Plug Wldt, Drive, Brush, 2-67, 2-69  
 Plug Wldt, Drive, Brush, Sweep, 2-67, 2-69  
 Plug, 1/8 Npt, Brs, Skt Hd [Mit], 5-15  
 Plug, 1/8npt, Brs [Mit], 5-30  
 Plug, 3/8npt X 5/16, Brs [Mit], 5-21  
 Plug, Cap, 5-12  
 Plug, Drain, Expandable, 4.75- 6.00, 2-99  
 Plug, Flare, 37deg [Mit], 5-7  
 Plug, Hole, Rnd, 0.38 H 1.0l, Brb, Nyl, 2-89, 2-90  
 Plug, Hole, Rnd, 0.38h .4- .7, Blk Nyl, 2-5

Plug, Hole, Rnd, 0.50h .03- .12, Blk Nyl, 2-11  
 Plug, Hole, Rnd, 0.81h, Blk, 2-7  
 Plug, Hole, Rnd, 0.88h .03- .12, Blk Nyl, 2-7  
 Plug, Hole, Rnd, 1.00h .03- .12, Blk Nyl, 2-7  
 Plug, Hole, Rnd, 1.25H .03- .12, Blk Nyl, 2-13  
 Plug, Hole, Rnd, 2.50h .03- .25, Blk Nyl, 2-7  
 Plug, Hole, Rt, Rocker Switch, .87 X 1.7, 2-11  
 Plug, Hole, Rt, Rocker Switch, .87 X 1.7 (Wet Dust Control Only), 2-11  
 Plug, Hole, Soltn Tank, Blk Pyu, 2-89  
 Plug, Hose, Pyu, 2-93, 2-99  
 Plug, Injector [Mit], 5-15  
 Plug, Oil, Drain, 5-7  
 Plug, Orifice, 0.060, Ss [FaST li+], 4-24  
 Plug, Orifice, Valve, Hyd, .030, 4-13  
 Plug, Orifice, Valve, Hyd, .040, 4-11, 4-13  
 Plug, Orifice, Valve, Hyd, .046, 4-13  
 Plug, Pump, Hyd, Gear, 4-5  
 Plug, Restrictor, 3-31  
 Plug, Rubber, 5-7  
 Plug, Spark, 1-1  
 Plug, Spark [Mitsubishi 2015 12mm], 5-5, 5-19  
 Plug, Taper, 5-3  
 Plug, Tapper, 5-12  
 Poppet, Pump, Hyd, Gear, 4-5  
 Pouch, 3-27  
 Pouch (OPTION), 2-13  
 Pulley Assy, Damper, Torsional, 5-10  
 Pulley, Idler, 5-9  
 Pulley, Pump, Water, 5-13  
 Pulley, Tensioner, 5-9  
 Pulley, Tensioner, Assy[Mit2.0/2.4], 5-17  
 Pump Assy, Column, Es, 4-3  
 Pump Assy, Column, Es (See Breakdowns), 3-5  
 Pump Kit, Hyd, Rotating [Cessna], 4-7  
 Pump Kit, Mtg, Aux, Ci [M20 & T20], 2-115  
 Pump, Diaphragm, 4-17  
 Pump, Detgt, 14vdc, 150ml/Min 20psi, 4-16  
 Pump, Detgt, 14vdc, 150ml/Min 20psi (See Breakdowns), 3-3  
 Pump, Diaphragm, 3-55  
 Pump, Diaphragm (See Breakdowns), 3-47  
 Pump, Fuel, 2-41  
 Pump, Gear, Drive, Oil, 5-12  
 Pump, Gear, Oil, 5-12  
 Pump, Hyd, Piston, Var, 1.24 4000, Cw, 4-7  
 Pump, Hyd, Piston, Var, 1.24 4000, Cw (See Breakdowns), 2-115  
 Pump, Hyd, Press Washer, 3-55, 4-25  
 Pump, Oil, 5-12  
 Pump, Soltn, 13.7vdc, 65psi [FaST li+], 3-17  
 Pump, Soltn, Ele, 13.7vdc, 12/28psi, 3-25

Pump, Water, 5-13

**R**

Race Thrust, 4-8  
 Race, Brg, Pump, Hyd, 4-7  
 Radiator, W/Hyd Cooler [Afmkt], 2-37  
 Regulator, 5-29  
 Regulator, Press, Electronic [Epr], 5-30  
 Relay, 12vdc, 20a, Spdt, 2-143  
 Relay, 12vdc, 40a, Spdt, 2-143  
 Relay, 12vdc, 40a, Spdt N/O, 2-45, 3-47  
 Relay, 12vdc, 040a, Spdt No, 3-17, 3-25, 3-53  
 Repair Kit, Mixer, 5-30  
 Repair Kit, Vaporizer, 5-29  
 Reservoir, Hyd, 10.0Gal, Replmt, 2-119  
 Resistor, Ele, Plug [430, 2w], 3-34  
 Retainer, Motor, Hyd, 4-5  
 Retainer, Ring, Brake, 2-49  
 Retainer, Skirt, 2-73  
 Retainer, Spring, 2-75  
 Retainer, Sqge, Side, Lh, 2-85  
 Retainer, Sqge, Side, Rh, 2-81  
 Ring Kit, Sppt, 4-25  
 Ring, Lock, 4-7  
 Ring, Motor, Hyd, 4-5  
 Ring, Mtg, Sqge, .50l, 2-77  
 Ring, Retainer, Steering Valve, 4-15  
 Ring, Retaining, 4-7, 5-17  
 Ring, Retaining, Ext, 0.38d, [E- Ring], 2-77, 2-79, 3-7  
 Ring, Retaining, Ext, 0.38d, [Selflock], 2-75  
 Ring, Retaining, Ext, 0.50d, Hd, 2-15  
 Ring, Retaining, Ext, 0.62d, Hd, 2-79  
 Ring, Retaining, Ext, 0.98d, [E- Ring], 2-51  
 Ring, Retaining, Ext, 1.00d, Basic, 2-67, 2-69  
 Ring, Retaining, Ext, 1.25d, 4-23  
 Ring, Retaining, Int, 2.00d, 2-57  
 Ring, Retaining, Int, 42mm, 2-33  
 Ring, Retaining, Pump, Hyd, 4-7  
 Rivet, Blind, .125d X 0.54 X .25d, Alm, 2-89, 2-90  
 Rivet, Plstc, .250D X 0.90, 3-27, 3-45, 3-53  
 Rod, 2-51  
 Rod Assy, Connecting, 5-10  
 Rod Wldt, Arm, Safety, 2-57  
 Rod- End, .25- 28rh Fem 0.25b [Teflon], 2-53  
 Rod- End, .50- 20lh Fem 0.50- 20stud, 2-71  
 Rod- End, .50- 20rh Fem 0.50b, 2-71  
 Rod- End, .50- 20rh Mal 0.50b, 3-9  
 Rod, Hanger, Isolator, 2-35  
 Rod, Thrd, 2 End, .50- 20 04.9l, Rh / Lh, 2-71  
 Roller, Brg, 2-93, 2-99

## CROSS REFERENCE

### S

- Screen Wldt, Hppr, 2-59  
Screen, Oil, 5-7  
Screen, Pump, 3-5  
Screen, Vacuum, Yellow, 2-97  
Screw, 4-8, 5-5, 5-12  
Screw, Btn, M8 X 1.25 X 20, Blk, 2-81, 2-85, 3-49  
Screw, Btn, M8 X 1.25 X 25, Ss, 2-71  
Screw, Cap, 4-7  
Screw, Cap, Motor, Hyd, 4-5  
Screw, Flt, M10 X 1.5 X 25, 10.9, 2-81, 2-85  
Screw, Flt, M8 X 1.25 X 20, Blk, 2-81, 2-85  
Screw, Flt, M8 X 1.25 X 30, Ss, 2-93, 2-99  
Screw, Flt, Soc, .25-20 X 1.00, Al, 2-103  
Screw, Hex, .25-14 X 0.75, Fmg/Ab, Ss, 2-97  
Screw, Hex, .25-20 X 0.50, G5, 2-25, 2-27  
Screw, Hex, .25-20 X 0.75, NI, 2-103  
Screw, Hex, .25-20 X 1.00, 5, 3-7  
Screw, Hex, .25-20 X 1.00, G5, 3-65  
Screw, Hex, .25-20 X 1.75, Ss, 2-53  
Screw, Hex, .25-20 X 2.25, Ss, 2-53  
Screw, Hex, .31-24 X 0.75, NI, 2-55  
Screw, Hex, .38-16 X 0.75, NI, 2-67, 2-69, 3-7  
Screw, Hex, .38-16 X 0.88, 5, 3-51  
Screw, Hex, .38-16 X 0.88, G5, 3-63  
Screw, Hex, .38-16 X 1.25, NI, 2-55  
Screw, Hex, .38-16 X 1.50, Ss, 3-9  
Screw, Hex, .38-16 X 2.25, G5, 2-55  
Screw, Hex, .38-16 X 3.00, 5, 2-43  
Screw, Hex, .38-16 X 3.75, 5, 2-43  
Screw, Hex, .50-13 X 1.50, 5, 2-71  
Screw, Hex, .50-13 X 3.50, G5, 3-65  
Screw, Hex, .75-10 X 3.25, G5, 2-47  
Screw, Hex, #10-16 X 0.62, Fmg [Ab], 3-47  
Screw, Hex, 10-16 X 0.62, Fmg/Ab, Pl, 3-53  
Screw, Hex, H6 X 1.00 X 20, 9.8, Sems, 3-43  
Screw, Hex, M10 X 1.25 X 25, 8.8, 2-21, 2-23  
Screw, Hex, M10 X 1.5 X 20, Ss, 2-61, 2-65, 3-59  
Screw, Hex, M10 X 1.5 X 25, 8.8, 2-5, 2-7  
Screw, Hex, M10 X 1.5 X 25, Ss, 2-57, 2-71, 2-83, 2-87  
Screw, Hex, M10 X 1.5 X 30, 8.8, 3-41  
Screw, Hex, M10 X 1.5 X 30, Ss, 2-5, 2-65, 2-75, 3-11  
Screw, Hex, M10 X 1.5 X 35, 8.8, 2-35, 3-51  
Screw, Hex, M10 X 1.5 X 40, 8.8, 2-103  
Screw, Hex, M10 X 1.5 X 45, 8.8, 3-51  
Screw, Hex, M10 X 1.5 X 80, 8.8, 3-51  
Screw, Hex, M10 X 1.50 X 25, 8.8, 2-115  
Screw, Hex, M10 X 1.50 X 35, 8.8, 3-63  
Screw, Hex, M10 X 1.50 X 35, Ss, 3-61  
Screw, Hex, M10 X 1.50 X 45, 8.8, 2-37  
Screw, Hex, M10 X 1.50 X 60, 8.8, 2-61  
Screw, Hex, M10 X 1.50 X 80, 8.8, 2-15, 3-63  
Screw, Hex, M12 X 1.75 X 30, 8.8, 2-21, 2-23, 3-9  
Screw, Hex, M12 X 1.75 X 30, Ss, 2-63  
Screw, Hex, M12 X 1.75 X 35, 8.8, 3-61  
Screw, Hex, M12 X 1.75 X 40, 8.8, 2-49, 2-71  
Screw, Hex, M12 X 1.75 X 55, Ss, 2-83, 2-87  
Screw, Hex, M12 X 1.75 X 60, 8.8, 2-21, 2-23  
Screw, Hex, M16 X 2.0 X 90, 8.8, 2-17  
Screw, Hex, M4 X 0.7 X 10, Fmg, 2-57  
Screw, Hex, M4 X 0.70 X 12, 8.8, 3-25  
Screw, Hex, M4 X 0.70 X 50, Ss, 4-19  
Screw, Hex, M5 X 0.8 X 10, Fmg, 2-71  
Screw, Hex, M5 X 0.8 X 12, Ss, 3-11, 3-51  
Screw, Hex, M5 X 0.8 X 20, 8.8, 2-13, 2-55, 2-57  
Screw, Hex, M5 X 0.80 X 10, Fmg, 3-25  
Screw, Hex, M5 X 0.80 X 16, 8.8, 3-43  
Screw, Hex, M5 X 0.80 X 16, Fmg, 3-45, 3-63  
Screw, Hex, M5 X 0.80 X 16, Ss, 2-51  
Screw, Hex, M5 X 0.80 X 20, 8.8, 3-25  
Screw, Hex, M6 X 1.0 X 12, Fmg, 2-5, 2-117  
Screw, Hex, M6 X 1.0 X 16, 8.8, 2-17, 2-51  
Screw, Hex, M6 X 1.0 X 16, Fmg, 2-53, 2-63, 2-73, 3-3  
Screw, Hex, M6 X 1.0 X 16, Ss, 2-61, 3-59  
Screw, Hex, M6 X 1.0 X 20, 8.8, 2-13  
Screw, Hex, M6 X 1.0 X 20, 9.8, Sems, 2-57  
Screw, Hex, M6 X 1.0 X 20, Ss, 2-35, 2-65, 2-95, 2-97  
Screw, Hex, M6 X 1.0 X 25, 8.8, 2-63  
Screw, Hex, M6 X 1.0 X 25, Ss, 2-83, 2-87  
Screw, Hex, M6 X 1.0 X 35, Ss, 2-73  
Screw, Hex, M6 X 1.0 X 50, 8.8, 2-41  
Screw, Hex, M6 X 1.0 X 55, Ss, 2-99  
Screw, Hex, M6 X 1.0 X 60, 8.8, 2-51  
Screw, Hex, M6 X 1.00 X 12, Ss, 3-25, 3-49  
Screw, Hex, M6 X 1.00 X 16, 8.8, 2-7, 2-43, 3-65  
Screw, Hex, M6 X 1.00 X 16, Ss, 3-17  
Screw, Hex, M6 X 1.00 X 20, 8.8, 2-11, 2-17, 2-35, 2-37, 3-65  
Screw, Hex, M6 X 1.00 X 20, 9.8, Sems, 2-37, 3-25  
Screw, Hex, M6 X 1.00 X 20, Ss, 2-15, 2-83, 2-87  
Screw, Hex, M6 X 1.00 X 25, 9.8 Sems, 2-29, 2-31, 2-37  
Screw, Hex, M6 X 1.00 X 25, 9.8, Sems, 2-15  
Screw, Hex, M6 X 1.00 X 25, Ss, 2-97  
Screw, Hex, M6 X 1.00 X 50, 8.8, 3-57  
Screw, Hex, M8 X 1.25 X 110, Ss, 2-77, 3-13  
Screw, Hex, M8 X 1.25 X 120, 8.8, Fl, 2-33  
Screw, Hex, M8 X 1.25 X 16, 8.8, 2-17, 2-33, 2-97, 3-9  
Screw, Hex, M8 X 1.25 X 16, Ss, 2-67, 2-69, 2-93, 2-99, 3-55  
Screw, Hex, M8 X 1.25 X 20, 8.8, 2-7, 2-13, 2-15, 2-17, 2-19, 2-33, 2-37, 2-39, 2-41, 2-43, 2-47, 2-51, 3-55  
Screw, Hex, M8 X 1.25 X 20, Ss, 2-7, 2-13, 2-19, 2-61, 2-67, 2-69, 2-71, 2-73, 2-83, 2-87, 2-89, 2-93, 2-97, 2-99, 2-101, 2-121, 3-3, 3-5, 3-17, 3-25, 3-35, 3-36, 3-37, 3-47  
Screw, Hex, M8 X 1.25 X 25, 8.8, 2-5, 2-7, 2-29, 2-31, 2-37, 2-39, 2-41, 2-43, 2-55, 2-93, 2-99, 2-101, 2-117  
Screw, Hex, M8 X 1.25 X 25, 9.8, Sems, 2-5, 2-17, 2-37, 2-45, 2-63, 2-97, 2-103  
Screw, Hex, M8 X 1.25 X 25, Fmg, 3-21, 3-31  
Screw, Hex, M8 X 1.25 X 25, Ss, 2-59, 2-65, 2-67, 2-69, 2-73, 2-75, 2-89, 2-101, 3-9, 3-13, 3-57  
Screw, Hex, M8 X 1.25 X 30, 8.8, 2-33, 2-93, 2-99  
Screw, Hex, M8 X 1.25 X 30, 9.8, Sems, 2-119  
Screw, Hex, M8 X 1.25 X 30, Ss, 2-101  
Screw, Hex, M8 X 1.25 X 35, 8.8, 2-51, 2-93, 2-99  
Screw, Hex, M8 X 1.25 X 35, 9.8, Sems, 2-37  
Screw, Hex, M8 X 1.25 X 35, Fl, Ss, 2-101  
Screw, Hex, M8 X 1.25 X 35, Ss, Fl, 2-75  
Screw, Hex, M8 X 1.25 X 40, 8.8, 4-23  
Screw, Hex, M8 X 1.25 X 40, 8.8, Fl, 2-33  
Screw, Hex, M8 X 1.25 X 40, Ss, NI, 2-55  
Screw, Hex, M8 X 1.25 X 45, 8.8, 2-41  
Screw, Hex, M8 X 1.25 X 45, Ss, 2-35, 2-79  
Screw, Hex, M8 X 1.25 X 50, 8.8, 2-55  
Screw, Hex, M8 X 1.25 X 50, Ss, Fl, 2-73  
Screw, Hex, M8 X 1.25 X 60, 8.8, 2-75  
Screw, Hex, M8 X 1.25 X 60, 8.8, Fl, 2-7  
Screw, Hex, M8 X 1.25 X 60, Fl, 2-71  
Screw, Hex, M8 X 1.25 X 70, 8.8, 2-51  
Screw, Hex, M8 X 1.25 X 90, 8.8, 2-33, 2-79  
Screw, Motor, Hyd [En], 4-9  
Screw, Mtg [Ehpr98], 4-11, 4-13  
Screw, Pan, #04-24 X 0.50l, Hi - Low, 2-11  
Screw, Pan, #12-16 X 0.50, F/ Plstc, 3-60  
Screw, Pan, 12-16 X 0.50, F/ Plstc (ec- H20 Only), 2-90  
Screw, Pan, M3 X 0.5 X 20, 4.8, 2-61  
Screw, Pan, M3 X 6, [Seelscrew], 2-11  
Screw, Pan, M4 X 0.7 X 10, Ss, 2-81, 2-85  
Screw, Pan, M4 X 0.7 X 16, 4.8, 2-19  
Screw, Pan, M4 X 0.7 X 16, Ss, 2-19, 3-3  
Screw, Pan, M4 X 0.7 X 20, 4.8, 2-63  
Screw, Pan, M4 X 0.7 X 20, Ss, 2-63  
Screw, Pan, M4 X 0.7 X 25, 4.8, 2-13



- Screw, Pan, M4 X 0.7 X 35, Ss, 2-55  
 Screw, Pan, M5 X 0.8 X 12, Ss, 2-13, 2-19, 2-43, 2-61, 2-95, 3-59  
 Screw, Pan, M5 X 0.80 X 45, 4.8, 3-47  
 Screw, Pan, M6 X 1.0 X 16, Ss, 2-75  
 Screw, Pan, M8 X 1.25 X 25, Blk, 2-7, 2-11, 2-13, 2-15, 2-19  
 Screw, Pan, M8 X 1.25 X 25, Ss, 2-5  
 Screw, Pan, Phl, 06-20 X 0.50, Fmg/Ab, 2-19, 2-89, 2-90  
 Screw, Pan, Phl, 12-16 X 0.50, F/ Plstc, 2-89, 2-90  
 Screw, Pan, Phl, 12-16 X 0.50, F/ Plstc (PRO PANEL ONLY), 2-97  
 Screw, Pan, Phl, M4 X 0.70 X 20, Ss, 3-25  
 Screw, Pan, Phl, M5 X 0.80 X 12, Ss, 3-17, 3-21, 3-49  
 Screw, Pan, Phl, M5 X 0.80 X 16, Tcut,Ss, 4-19  
 Screw, Pan, Phl, M5 X 0.80 X 20, Ss, 3-31, 3-35, 3-36, 3-37, 3-38, 3-39  
 Screw, Pan, Phl, M5 X 0.80 X 45, 4.8, 3-55  
 Screw, Set, #10-24 X 0.25, NI, 2-61  
 Screw, Soc, .38-16 X 1.25, Al, 2-33  
 Screw, Soc, .50-13 X 1.50, Al, 2-47  
 Screw, Soc, M16 X 2.0 X 50, 12.9, 2-47  
 Screw, Soc, M4 X 0.70 X 16, 5-30  
 Screw, Soc, M8 X 1.25 X 25, 12.9, 2-83, 2-87  
 Screw, Soc, M8 X 1.25 X 35, 12.9, 2-83, 2-87  
 Screw, Valve, Steering, 4-15  
 Screw,Hex, M5 X 0.80 X 29, 8.8, 3-43  
 Seal Kit [Buna], 4-25  
 Seal Kit [Vitron], 4-25  
 Seal Kit, Cartridge, 2-121, 4-11, 4-13  
 Seal Kit, Motor [CI], 3-7, 4-9  
 Seal Kit, Oil, 4-25  
 Seal Kit, Pump, Hyd, 4-7  
 Seal Kit, Rear [CI], 4-5  
 Seal Kit, Shaft [CI], 4-5  
 Seal Kit, Steering [CI], 4-15  
 Seal Kit, Valve [Ehpr98], 4-11, 4-13  
 Seal Replmt Kit, 4-8  
 Seal, Sponge, 0.88 1.00W 43.0L, 2-17  
 Seal, Afmkt, Bulb, 90, 0.50d, 02ft, 2-13  
 Seal, Afmkt, Bulb, 90, 0.75d F/11ga 02ft, 2-13, 2-19  
 Seal, Afmkt, Bulb, 90, 0.75d F/11ga 08ft, 2-7  
 Seal, Afmkt, Bulb, Str, .75d F/07ga 08ft, 2-101  
 Seal, Afmkt, Bulb, Str, 0.58d 08ft, 2-37  
 Seal, Afmkt, Ure, Adh, 0.38, 0.38w 02ft, 2-37  
 Seal, Afmkt, Ure, Adh, 0.38, 0.75w 03ft, 2-103  
 Seal, Afmkt, Ure, Adh, 0.50, 0.75w 02ft, 3-59  
 Seal, Afmkt, Ure, Adh, 0.50, 0.75w 03ft, 3-59  
 Seal, Bulb, Str, .50Hi .50W 047.2L, Adh, 2-89, 2-90  
 Seal, Cam Shaft, Front, 5-5  
 Seal, Cap, 5-5  
 Seal, Case, Oil, Rear, 5-3  
 Seal, Door, Dump, 2-65  
 Seal, Drive, Rear, Grease Cav, 2-47  
 Seal, Foam, 0.50, 2-7  
 Seal, Oil, 5-3, 5-12, 5-19  
 Seal, Org, .069 X 3.06id, 2-115  
 Seal, Org, .072 X 00.35id #04, 4-13  
 Seal, Org, .078 X 00.47id #06, 4-13  
 Seal, Org, .078 X 00.47id 06, 4-11  
 Seal, Org, Lpg, 5-28  
 Seal, Plug, Drain, Nitrile, 2-99  
 Seal, Shaft, Drain Plug, 2-99  
 Seal, Tube, Water [Mit 2.0l], 5-22  
 Seal, Ure, 0.38 0.75w 13.2l Adh, 2-103  
 Seal, Wire, 14/16ga [Wp / Mp280 Sealed], 4-17  
 Seat, Deluxe, Replmt [M20/T20/M30], 4-21  
 Seat, Deluxe, Replmt [M20/T20/M30] (See Breakdowns), 2-13  
 Seatbelt, Retract, Orange, Replmt, 4-21  
 Send-Unit, Fuel [2007], 2-41  
 Send-Unit, Water, Temp, 04npt 113oh/195d, 2-119  
 Sender, Oil, Press [Mit] (3 Prong), 5-12  
 Sensor [Tmap], 5-25  
 Sensor, Camshaft [Mit], 5-25  
 Sensor, Level, Liq, 14vdc 01a .62-11, 2-90, 2-97, 3-5, 3-55  
 Sensor, Oxygen, 2-35  
 Sensor, Oxygen, Tailpipe, 5-25  
 Sensor, Spd / Dir, 6-30vdc, 2-55  
 Sensor, Spd, Timing Wheel [3.0l], 5-25  
 Sensor, Temp, Coolant, 5-25  
 Shaft Wldt, Brake, 2-51  
 Shaft Wldt, Pedal, Brake, 2-51  
 Shaft, Arm, Rocker, 5-9  
 Shaft, Arm, Rocker, 5-9  
 Shaft, Brush, Idler, 2-67, 2-69  
 Shaft, Cap, Rocker, 5-9  
 Shaft, Gear, Orbital, 4-23  
 Shaft, Left, Balancer, 5-11  
 Shaft, Motor, Hyd, 4-5  
 Shaft, Output, 4-8  
 Shaft, Output, Motor, Hyd [En], 4-9  
 Shaft, Pump, 4-7  
 Shaft, Pump, Water, 4-3  
 Shaft, Right, Balancer, 5-11  
 Shaft, Spring, Rocker, 5-9  
 Shaft, Sterring, 4-23  
 Shaker Wldt, 2-61  
 Sheave Kit, Repair [Mit 2.0l], 2-33  
 Sheave, Mach [Mit 2615rpm Fan], 2-33  
 Shield, Heat, Lower [Mit 20/24m], 5-16  
 Shield, Heat, Upper [Mit 20/24m], 5-16  
 Shield, Tray, Drip [Mit 2013], 2-35  
 Shim Kit, 4-7  
 Shock Absorber, 2.3 Strk, 2-55  
 Shoe, Brake, 180 X 30mm, 2-49  
 Shrd Wldt,Fan,G/Lp, Replmt [M20/M30/T20], 2-37  
 Shrd Wldt,Fan,G/Lp, Replmt [TJ] (Japan Only), 2-37  
 Shroud Assy, Eng, 2-19  
 Shroud, Fan, 2-37  
 Shroud, Front, Trimmed, 2-17  
 Shroud, Seat, 2-13  
 Skirt, Eng Fan, Gas / Lp, 2-37  
 Skirt, Neo, .06, 06.38w 40.86l, 06 Hole, 1-1, 2-73  
 Skirt, Neo, .06, 06.85w 27.95l, 08 Hole, 1-1, 2-81, 2-85  
 Skirt, Neo, .06, 07.63w 51.52l, 11 Hole, 2-73  
 Skirt, Neo, .06, 12.00w 45.88l, 07 Hole, 1-1, 2-73  
 Skirt, Neo, .06, 26.99w 40.55l, 36 Hole, 2-73  
 Skirt, Neo, .12, 05.39w 14.01l, 02 Sl, 2-73  
 Skirt, Neo, .18, 10.37w 27.95l, 12 H&S, 1-1, 2-81, 2-85  
 Skirt, Rbr, .37, 04.50w 40.94l, 06 Hole, 1-1, 2-73  
 Sleeve, 0.31b 0.50d 0.3l, Ss, 2-83, 2-87, 2-99  
 Sleeve, 0.49b 0.68d 1.2l [304ss], 2-83, 2-87  
 Sleeve, Dashpo, Pump, Hyd, Gear, 4-5  
 Sleeve, Nyl, #37 05.0l, 2-47  
 Sleeve, Nyl, 0.69id 20.0l [Asb11], 3-57  
 Sleeve, Nyl, 1.06id 22.0l [Asb15], 3-57  
 Sleeve, Nyl, 1.22id, 95.0l, 2-111, 2-113  
 Sleeve, Nyl, 2.38id 25.0l, 2-47  
 Sleeve, P/M, 0.25b 0.38d 0.2l [430ss], 3-65  
 Sleeve, P/M, 0.31b 0.50d 0.3l [430ss], 2-93, 2-99  
 Sleeve, P/M, 0.31b 0.50d 0.7l [430ss], 2-77, 2-93, 2-99  
 Sleeve, P/M, 0.31b 0.50d 0.9l [430ss], 2-35  
 Sleeve, P/M, 0.34b 0.63d 0.6l, Bnz, 2-79  
 Sleeve, P/M, 0.34b 0.63d 1.2l, Bnz, 2-77  
 Sleeve, P/M, 0.37b 0.50d 0.6l [430ss], 3-9  
 Sleeve, P/M, 0.47b 0.75d 0.5l [430ss], 2-71  
 Sleeve, Pump, Water, 4-3  
 Sleeve, Rbr, 3.50b 3.58d 1.8l, 3-5  
 Solenoid, #10, 12vdc, 4-11, 4-13  
 Solenoid, #8, 12vdc, 4-11, 4-13  
 Solenoid, Pull, 12vdc, Damper, 2-63  
 Spacer, 3-7  
 Spacer Plate, 4-8  
 Spacer, Rnd, .125l, Alm, 2-11  
 Spacer, Alternator [Mit 2.0/2.4l], 5-20  
 Spacer, Belt, Balancer, Train, 5-11  
 Spacer, Coil, #8, 4-13  
 Spacer, Crankshaft, 2-33  
 Spacer, Fan, Taper [Mit 2013], 2-33  
 Spacer, Pad, Rbr, 2-75  
 Spacer, Plstc, Ny, 2-13  
 Spacer, Pump, Water, 2-33  
 Spacer, Ring, Throttle [Mit 40mm], 5-28  
 Spacer, Sqge, Side Brush, 3-7

## CROSS REFERENCE

Spacer, Valve, Steering, 4-15  
Spool, Pilot, Dual, Hyd, 4-13  
Spool, Pilot, Hyd, 4-11, 4-13  
Spring, 4-5  
Spring Kit, Scu [C], 4-15  
Spring, Cmpr, 0.72od .06wir 02.3l, 2-15  
Spring, Cmpr, 0.9od .042wir 02.0l, 2-77  
Spring, Dsl, 1.00od 0.50id 1.7l, 2-79  
Spring, Extn, 0.75od X 0.09wir, 2.5l, 2-83, 2-87  
Spring, Extn, 0.75od X 0.12wir, 4.3l, 2-55  
Spring, Extn, 0.88od X 0.14wir, 9.0l, 2-75  
Spring, Extn, 2.00od 0.25wir 07.5l, 2-71  
Spring, Flat, Retainer, Angled Screen, 2-59  
Spring, Flt, 0.08th, 4.50w X 07.0l, 2-75  
Spring, Motor, Hyd, 4-5  
Spring, Tors, 0.75id .06wir 02.8coil, 2-51  
Spring, Tors, 1.13id .12wir 02.3coil Rh, 2-51  
Spring, Wir, 0.08d, Brake, Parking, 2-51  
Spring, Wir, 0.25d, Return, Brake, 2-49  
Sprocket Assy, Cshft, 5-9  
Sprocket, Camshaft, 5-9  
Sprocket, Cshft, 5-11  
Sprocket, Pump, Oil, 5-9  
Sprocket, Shaft, Balancer, 5-11  
Squeegee Kit, Rear, Replmt [M20/T20], 2-77  
Squeegee Wldt, Rear, 2-77  
Stand-Off, Hex, M3 X M14, Alm, 2-11  
Stand-Off, Hex, M8 X M8, Metal, 2-21, 2-23  
Starter, Motor [Mit 2.0/2.4], 5-20  
Steer-Control, Hyd05, 06.1 2030, 4-15  
Steer-Control, Hyd05, 06.1 2030 (See Breakdowns), 2-15  
Stem, Valve, Hyd, 4-11, 4-13  
Stem, Valve, Hyd [4w2p], 4-11, 4-13  
Stop, Rotation, 2-79  
Strainer, Hyd, 25gpm 100mesh Psi, 2-119  
Strainer, Hyd, 025gpm 100mesh 03psi, 1-1  
Strainer, Hyd, 25 Gpm 100 Mesh, 1-1  
Strainer, Soltn, 20 Mesh, Cyl 3.5d 9.5l, 3-5  
Strap, Door, Dump, 2-65  
Strap, Mtg, Motor, .124.00W, 2-61  
Strap, Mtg, Tank, Lpg, 2-43  
Strap, Mtg, Tank, Lpg, Hinge, 2-43  
Strap, Rbr, Tie-Down, 2/Hooks 19.0l, 2-45  
Strap, Retaining, Hose, 2-93, 2-99  
Strap, Sppt, 2-55  
Strap, Static, Afmkt, 2-73  
Strap, Tank, Gas, 2-41  
Strip Mtg, Seal, 2-17  
Strip, Flap, Recirculation, 2-73  
Strip, Non-Slip, 0.50w 06.0l, 2-77  
Strip, Rbr, 0.06 01.00W 04.0L, 2-61  
Strip, Rbr, 0.06 03.54w 03.5l [Neo/60], 3-25  
Strip, Rbr, 0.06 04.00w 05.0l Neo/60, 2-61  
Stud, 5-5  
Stud, Ball, .39d .31-16, Gasspring, 2-13

Stud, M05-0.8, 5-30  
Stud, M10-1.25 X 50, Full Thrd [Mit], 5-25  
Stud, M8 X 1.25, 2.75l M8 X 1.25, Ss, 2-77  
Stud, M8-1.25 X 30 [Mit Double End], 5-15  
Stud, M8-1.25 X 35 [Mit Double End], 5-15  
Stud, M8-1.25 X 40 [Mit], 5-16  
Stud, M8-1.25 X 50 Full Thrd [Mit], 5-15  
Stud, Manifold, Intake, M8 X 28, 5-16  
Stud, Wheel, .50-20 X 1.50l, 0.370th, 2-47  
Switch Assy, Press, 3.0, 17.5l Tube, 3-5  
Switch Kit, Pump, Repair,, 4-17  
Switch, Ignition [Ku], 2-11  
Switch, Press, 12vdc 08a Spst Nc 0070psi, 2-43  
Switch, Press, 50 Psi, Pm02, 3-27  
Switch, Press, Adj [4-16 In Wtr], 2-63  
Switch, Rocker, Dpdt On/None/On, 3-47  
Switch, Rocker, Dpdt, Mom / Off / Mom, 2-11  
Switch, Rocker, Dpdt, On / Off / On, 2-11  
Switch, Rocker, Mom, Led (Dry Dust Control Only), 2-11  
Switch, Rocker, Prgrsv, 3-53  
Switch, Rocker, Spst, Mom, 3-25  
Switch, Seat, 4-21  
Switch, Snap, 15a Nc, Rlr, 2-51  
Switch, Snap, 15a No, Rlr, 2-57  
Switch, Temp, Sealed, Nc, 2-61

## T

Tank, Coolant, 03.6w 04.1hi 05.5l, 1liter, 2-39  
Tank, Detgt, Trimmed, 3-5  
Tank, Fuel, 11.2gal, Gas, Replmt [2007], 2-41  
Tank, Lpg, 33lb, W/ Gauge [Empty, Liq], 2-43  
Tank, Recvy, Trimmed, 2-97  
Tank, Soltn, W/ Label [M20], 2-89  
Tensioner, 5-9  
Tensioner, Timing, Belt, 5-11  
Terminal, Bullet, Mal, .156d, 22-18ga, 3-36, 3-37, 3-38, 3-39  
Terminal, Fem, Mp280, Sealed, 18-16ga, 4-17  
Thermostat Kit, Coolant, Replmt [Mitsub], 5-22  
Throttle Body [Mit, Bosch], 5-28  
Throttle Body [Mit, Bosch], 5-27  
Thrust Bearing, 4-8  
Thurst, Case, 5-5  
Tie, Cable, 6.0l, 1.25d Max, 3-38, 3-39  
Tie, Cable, 11.3l, 2.75d Max, 3-43  
Tie, Cable, 11.3l, 2.75d Max (PRO PANEL ONLY), 2-97  
Tie, Cable, Nyl, 07.3l .19w 1.8 Max D, 2-11, 2-47, 2-69, 3-27, 3-38, 3-39, 3-53  
Tie, Cable, Nyl, 14.5l .30w 4.0 Max D, 4-19

Tie, Cable, Nyl, 15.3l . W 4.5 Max D, 3-21, 3-31  
Tie, Cable, Nyl, 15.3L . W 4.5 Max D, 2-61  
Tire Assy, Idler, 16.0 X 3.5, Rubber, 2-49  
Tire, Drive, Scrbr, Non-Skid, 18.0X6.0, 2-47  
Tire, Drive, Scrbr, Pu, Grey, 18.0X6.0 (Optional Polyurethane), 2-47  
Tire, Idle, 16 X 3.5, Pu, Siped Tread(Optional Polyurethane), 2-49  
Tow Wldt, Bumper, Front, 3-61  
Tower, Wldt, Lift, Lh, Replmt [M20], 2-5  
Tower, Wldt, Lift, Rh, Replmt [M20], 2-5  
Track Assy, Slide, 4-21  
Transport Kit, Ci [M20/M30], 3-49  
Tray Wldt, Fuel, 2-41  
Tray Wldt, Lpg, 2-43  
Tray, Perma-Filter, 2-61  
Tread, Non-Skid, 01.9w 08.0l, 2-5  
Tread, Non-Skid, 02.2w 11.5l, 3-11  
Tread, Non-Skid, 03.0w 11.6l, 2-5, 2-7, 2-53  
Tube Assy, Plug, Drain, 2-99  
Tube Kit, Tank, Recvy, Replmt, 2-99  
Tube Kit, Tank, Soltn, Replmt, 2-93  
Tube Wldt, Arm, Safety, 2-57  
Tube Wldt, Leg, Ohg, Lh, Pntd, 3-41  
Tube Wldt, Leg, Ohg, Rh, Pntd, 3-41  
Tube Wldt, Plug, Drain, 2-99  
Tube Wldt, Tee [Mit 2013], 2-29, 2-31  
Tube Wldt, Torque, 2-71  
Tube, 0.50d 0.32b 00.4l, Ss, 2-93, 2-99  
Tube, 00.38d 00.26b 00.3l Stl Plt, 2-53  
Tube, 00.50d 00.38b 00.6l Stl, 2-55  
Tube, 2.90id 3.00od 02.4l, Ss, 2-93, 2-99  
Tube, Acrylic, Hose, Pinch, 2-99  
Tube, Coolant, 1.3d, Lower [Mit 2013], 2-39  
Tube, Cooling, Line [Mit], 5-23  
Tube, Exhaust, Flng, 1.5d [M20/T20 2007], 2-35  
Tube, Hyd, 08 Jf08/Jm08, 2-67  
Tube, Hyd, Brush Return, W/ Cd [M20/T20], 2-69  
Tube, Hyd, Main Return [G/Lp Mit2013], 2-117  
Tube, Hyd, Rear Sqge [M20], 2-117  
Tube, Hyd, Sqge, 2-117  
Tube, Pump, Water, 5-22  
Tube, Transition, Casting, 2-103  
Tube, Vacuum, 2-63  
Tube, Vinyl, Pump, Water, 4-3  
Tube, Water, Line [Mit], 5-22  
Tubing Connctr.Kit, Gorman Pmp, 4-16

## U

Upper Hsg Kit, Pump, Repair,, 4-17

## V

Valve Assy [Proportional], 4-11, 4-13  
 Valve Assy, Relief [CI], 4-15  
 Valve Assy, Water, Solenoid, 12vdc, 2-95, 3-11, 3-31  
 Valve Kit, 4-25  
 Valve Kit, Poppet, Gorman Rupp, 4-16  
 Valve Kit, Replacement 12v St Flow, 3-11  
 Valve, Check, 4-11, 4-13  
 Valve, Check, 0002psi [FaST li+], 4-24  
 Valve, Check, 0005psi [FaST li+], 4-24  
 Valve, Check, 0005psi Bm06/Bm08, 3-17  
 Valve, Check, 0005psi Pm04/Bm06, 3-27  
 Valve, Check, 2gpm .5psi Bm08/Bm08, 3-31  
 Valve, Check, Pump, Water, 4-3  
 Valve, Cntrl, Hyd, Solenoid, 03/16gpm, 4-11  
 Valve, Cntrl, Hyd, Solenoid, 03/16gpm (See Breakdowns), 3-13  
 Valve, Cntrl, Hyd, Solenoid, 12vdc 10gpm, 4-13  
 Valve, Cntrl, Hyd, Solenoid, 12vdc 10gpm (See Breakdowns), 2-121  
 Valve, Cntrl, Solenoid, 4-13  
 Valve, Drain, Pm12, Qtr Turn, 3-55  
 Valve, Exhaust, 5-9  
 Valve, Gasket, Pcv, 5-4  
 Valve, Hyd, Check, Jm08/Om08 5000psi, 3-13  
 Valve, Hyd, Press Washer, 3-55, 3-57, 4-25  
 Valve, Inlet, 5-9  
 Valve, Lpg, Press Relief [Rego], 2-43  
 Valve, Motor, Hyd, 4-5  
 Valve, Needle, 3-55  
 Valve, Pcv, 5-4  
 Valve, Relief, 4-11, 4-13  
 Valve, Relief, 0600Psi, 2-121  
 Valve, Relief, 3000 Psi, 4-7  
 Valve, Relief, 4000 Psi, 4-7  
 Valve, Seal, Stem, 5-9  
 Valve, Shutoff, 3-47  
 Valve, Solenoid, 12vdc, Water Flow, 3-21  
 Valve, Spring, 5-9  
 Valve, Spring, Lock, 5-9  
 Valve, Spring, Retainer, 5-9  
 Valve, Spring, Seat, 5-9  
 Valve, Stem, No, 4-11, 4-13  
 Valve, Vent, Air, Float Type, 3-27  
 Valve, Water, Solenoid, 12vdc 0.08pf, 3-3  
 Valve, Water, Solenoid, 12vdc 6.0mm Pf04, 3-17

## W

Wand Kit, Vacuum, Ci [M20], 3-45  
 Wand, Chm, Dbl Bend [1 Pk= 1 Box Of 2pc], 3-45  
 Wand, Clean-Out, 3-47  
 Wand, Str, Ss, 28l, 3-53  
 Washer, 5-9, 5-21  
 Washer, 1/4 Flat [Mit], 5-27

Washer, Belleville, .31, 2-55  
 Washer, Belt, Balancer, Train, 5-11  
 Washer, Bolt, 5-7  
 Washer, Flat 3/8, Sae, 5-17  
 Washer, Flat, .781b 1.630d .16, Stl, Blk, 2-47  
 Washer, Flat, .78b 1.75d .18, Ss, 2-99  
 Washer, Flat, #06, 2-61  
 Washer, Flat, #08, 2-13  
 Washer, Flat, #10, 2-13, 2-19, 2-45, 2-57, 3-47  
 Washer, Flat, #10 Ss, 2-55  
 Washer, Flat, #10, Ss, 3-3, 3-47, 3-51  
 Washer, Flat, 0.15b 0.31d .05, Nyl, 2-11  
 Washer, Flat, 0.19b 0.44d .05, Pl, 08, 2-11, 2-55  
 Washer, Flat, 0.25 Fender, 2-103  
 Washer, Flat, 0.25 Fendr, 2-13  
 Washer, Flat, 0.25 Sae, 2-13, 2-63  
 Washer, Flat, 0.25 Std, 2-51, 2-53, 2-55  
 Washer, Flat, 0.25, Fendr, 2-37  
 Washer, Flat, 0.25, Sae, 2-15, 2-35, 2-37, 2-41, 2-43, 2-103, 3-25  
 Washer, Flat, 0.25, Ss, 2-61, 2-65, 2-73, 2-95, 2-97, 3-59  
 Washer, Flat, 0.25, Std, 2-7, 2-11, 2-15, 2-17, 2-25, 2-27, 2-35, 2-37, 3-57, 3-65  
 Washer, Flat, 0.25b 0.56d .05, Pl, 10, 2-33, 3-43, 3-55  
 Washer, Flat, 0.27b 0.69d .05, Ss, 3-17, 3-25, 3-49  
 Washer, Flat, 0.31 Sae, 2-7, 2-13, 2-19, 2-55, 2-83, 2-87, 2-89, 2-93, 2-99  
 Washer, Flat, 0.31, Sae, 2-33, 2-35, 4-23  
 Washer, Flat, 0.31, Ss, 2-65, 2-73, 2-75, 2-77, 2-79, 2-83, 2-87, 2-93, 2-99, 3-3, 3-9  
 Washer, Flat, 0.31, Std, 2-5, 2-7, 2-13, 2-15, 2-29, 2-31, 2-33, 2-37, 2-39, 2-41, 2-43, 2-47, 2-51, 2-67, 2-69, 2-71, 2-73, 2-93, 2-97, 2-99, 2-117, 3-9, 3-13, 3-41, 3-49, 3-55, 3-57  
 Washer, Flat, 0.32b 1.00d .12, Ss, 2-7, 2-13, 2-17, 2-19, 2-33, 2-59, 2-65, 2-89, 2-93, 2-97, 2-99, 2-101, 2-121, 3-5, 3-17, 3-25, 3-35, 3-36, 3-37, 3-47, 3-55  
 Washer, Flat, 0.32b 1.00d .12, Ss (Flashing or Strobe Light Option Only), 3-55  
 Washer, Flat, 0.38 Sae, 2-55, 2-71, 2-79, 2-103, 2-115  
 Washer, Flat, 0.38 Std, 2-5, 2-13, 2-21, 2-23, 2-43, 2-55, 3-7, 3-41, 3-51  
 Washer, Flat, 0.38, Std, 2-35, 2-37, 3-61, 3-63  
 Washer, Flat, 0.38b 0.88d .08, Ss, 2-35, 2-61, 2-101  
 Washer, Flat, 0.38b 1.25d .12, Neo, 2-59, 2-65  
 Washer, Flat, 0.40b 1.12d .12, Ss, 2-103

Washer, Flat, 0.40b 1.12d .12, Ss, 2-37, 2-61, 2-65, 2-79, 3-41, 3-59  
 Washer, Flat, 0.40b 1.12d .12, Stl, Pl, 2-15  
 Washer, Flat, 0.41b 1.25d .12, Pye, 2-13  
 Washer, Flat, 0.44b 1.00d .08, Ss, 2-5, 2-57, 2-75, 3-11  
 Washer, Flat, 0.50 Sae, 2-21, 2-23, 2-49, 3-9  
 Washer, Flat, 0.50 Std, 2-21, 2-23  
 Washer, Flat, 0.50, Sae, 2-63  
 Washer, Flat, 0.53b 1.06d .10, Stl, Pl, 2-15, 3-61  
 Washer, Flat, 0.53b 1.88d .12, Stl, Pl, 2-7, 2-21, 2-23, 2-75, 2-77, 3-65  
 Washer, Flat, 0.56b 1.38d .11, Ss, 2-71, 2-75, 2-83, 2-87  
 Washer, Flat, 0.62 Sae, 2-17  
 Washer, Flat, 0.66b 1.00d .12, Rbr, 3-3, 3-47  
 Washer, Flat, 0.69b 1.19d .06, Stl, Pl, 2-79  
 Washer, Flat, 0.76b 1.50d .06, Ss, 2-49  
 Washer, Flat, 0.79b 1.18d .06, Nyl, 2-93, 2-99  
 Washer, Flat, 0.81b 1.06d .06, Stl, 2-37  
 Washer, Flat, 06, 3-45  
 Washer, Flat, 08, 3-25  
 Washer, Flat, 08, Ss, 4-19  
 Washer, Flat, 1.15b 1.75d .08, Stl, 2-11  
 Washer, Flat, 1.26b 1.88d .13, Stl, 3-11  
 Washer, Flat, 1.26B 1.88D .13, Stl, Pl, 2-5, 2-63  
 Washer, Flat, 1.39b 2.12d .13, Stl, 2-47  
 Washer, Flat, 10, 3-25, 3-35, 3-36, 3-37, 3-38, 3-39  
 Washer, Flat, 10, Ss, 2-51, 3-17, 3-21, 3-31, 3-43, 3-53, 3-63  
 Washer, Flat, 2.16b 3.50d .16, Felt, 2-47  
 Washer, Flat, Belleville, .25, 2-83, 2-87  
 Washer, Flat, Belleville, .31, 2-33, 2-93, 2-99, 3-9  
 Washer, Flat, Belleville, .38, 2-75, 2-83, 2-87  
 Washer, Flat, Belleville, .50, 2-83, 2-87, 2-101  
 Washer, Flat, Belleville, M10, 2-59  
 Washer, Flat, M21.0b X 37d X 3, 2-49  
 Washer, Flat, Pump, Hyd, 4-7  
 Washer, Flat, .25b 0.56d .05, Pl, 10, 2-13  
 Washer, Lock, 0.38, 5-17  
 Washer, Lock, Int-Ext, 0.31, 2-73  
 Washer, Lock, Int-Ext, 10, 2-19  
 Washer, Lock, Int, #06, 2-61  
 Washer, Lock, Int, #08, Ss, 2-63  
 Washer, Lock, Int, 0.25, 2-33, 3-25  
 Washer, Lock, Int, 08, Ss, 4-19  
 Washer, Lock, M12 [Mit], 5-18  
 Washer, Lock, M6 [Mit], 5-28  
 Washer, Lock, M8 [Mit], 5-9, 5-21  
 Washer, Pump, Hyd [En], 4-7  
 Washer, Rbr, 4-3  
 Washer, Sealing, 0.28b 0.75d Ss, Neo, 2-97  
 Washer, Shld, Nyl [8-32], 2-11

## CROSS REFERENCE

Washer, Special, 5-10  
Washer, Spring, 5-13  
Washer, Star, M10 [Mit], 5-25  
Washer, Strainer, 5-7  
Washer, Thrust, 0.34b 1.50d .06, 2-93,  
2-99  
Washer, Thrust, 0.61b 1.25d .06, Fgl,  
2-79, 2-81, 2-83, 2-85, 2-87  
Washer, Thrust, 0.79b 1.42d 0.06[Garlok],  
2-15  
Washer, Thrust, 1.00b 1.75d 0.13w, Fbr,  
3-9  
Washer, Thrust, 1.26b 1.97d 0.13, Bnz,  
4-23  
Weight, Eccentric, 2-61  
Wheel, 06.0D 2.00W 1.19B, Gray Rbr, 2-5,  
2-63, 3-11  
Wheel, 3.0d 1.38w 0.50b, 1-1  
Wheel, 4.0d 0.89w 0.64b, 2-77  
Wheel, Steering, 14.4d, 2-15  
Wire, Tie [W/.25" Fir Tree Clip], 2-5