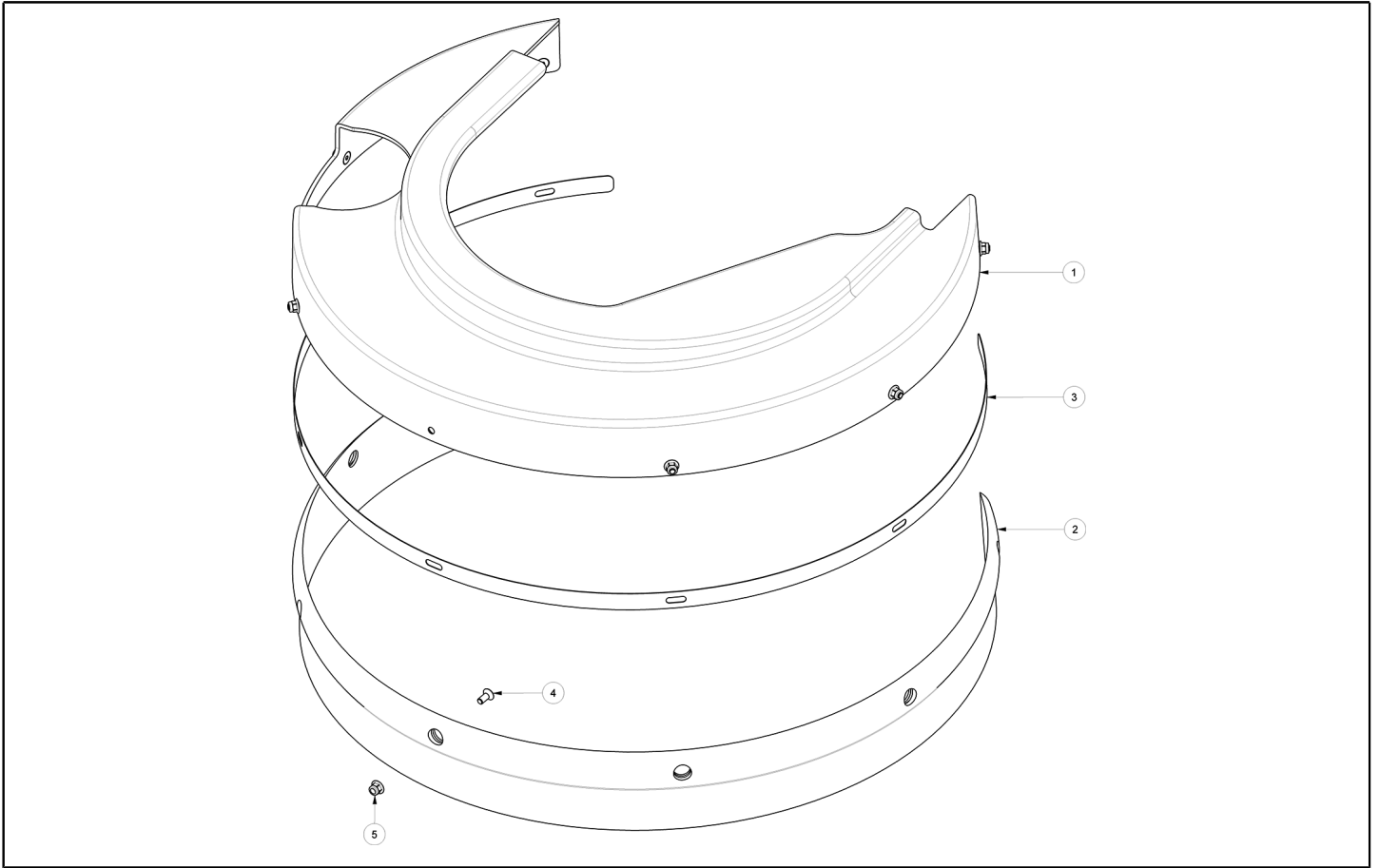




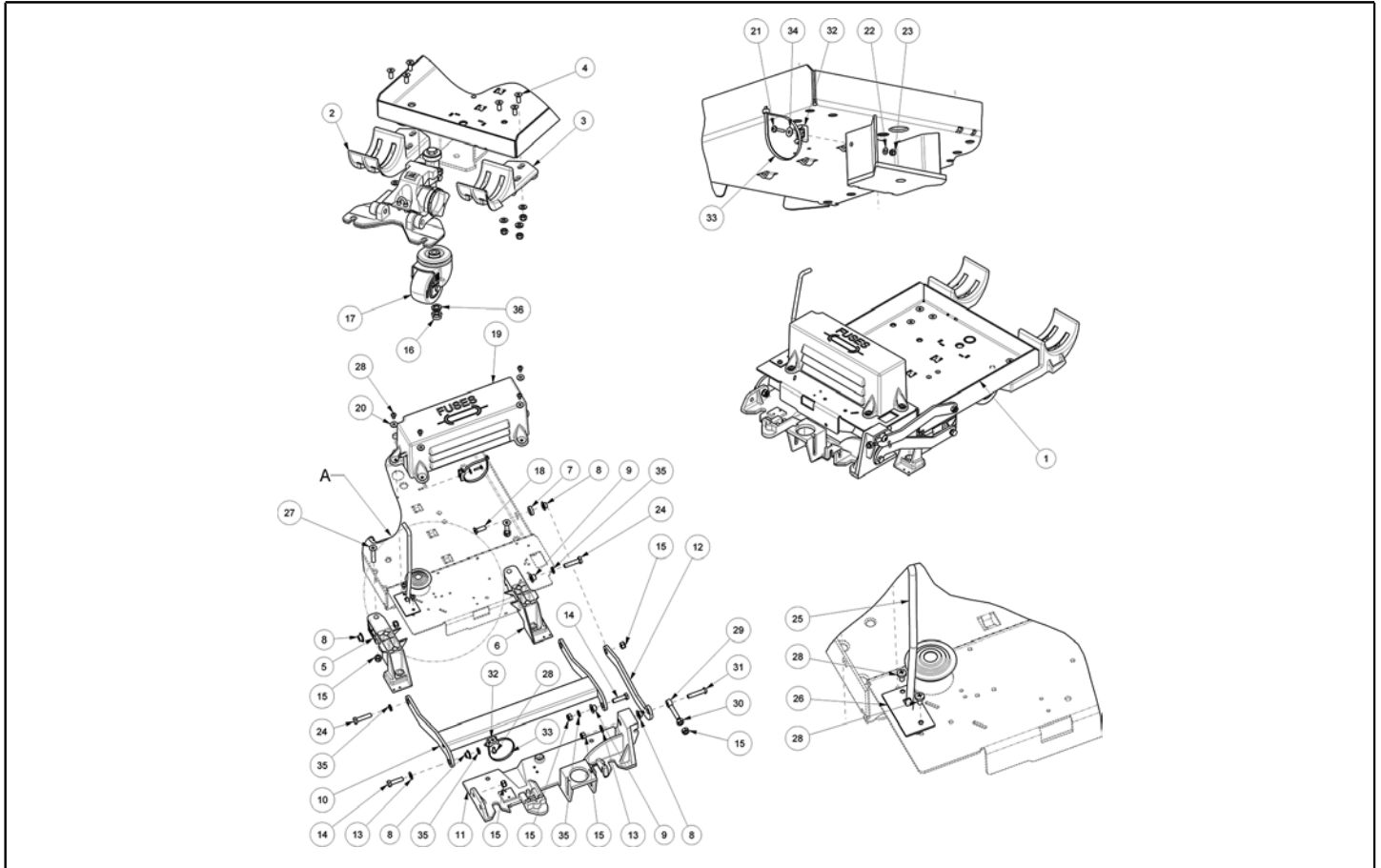
## **Spare Parts List**

IP Cleaning Srl - Gansow

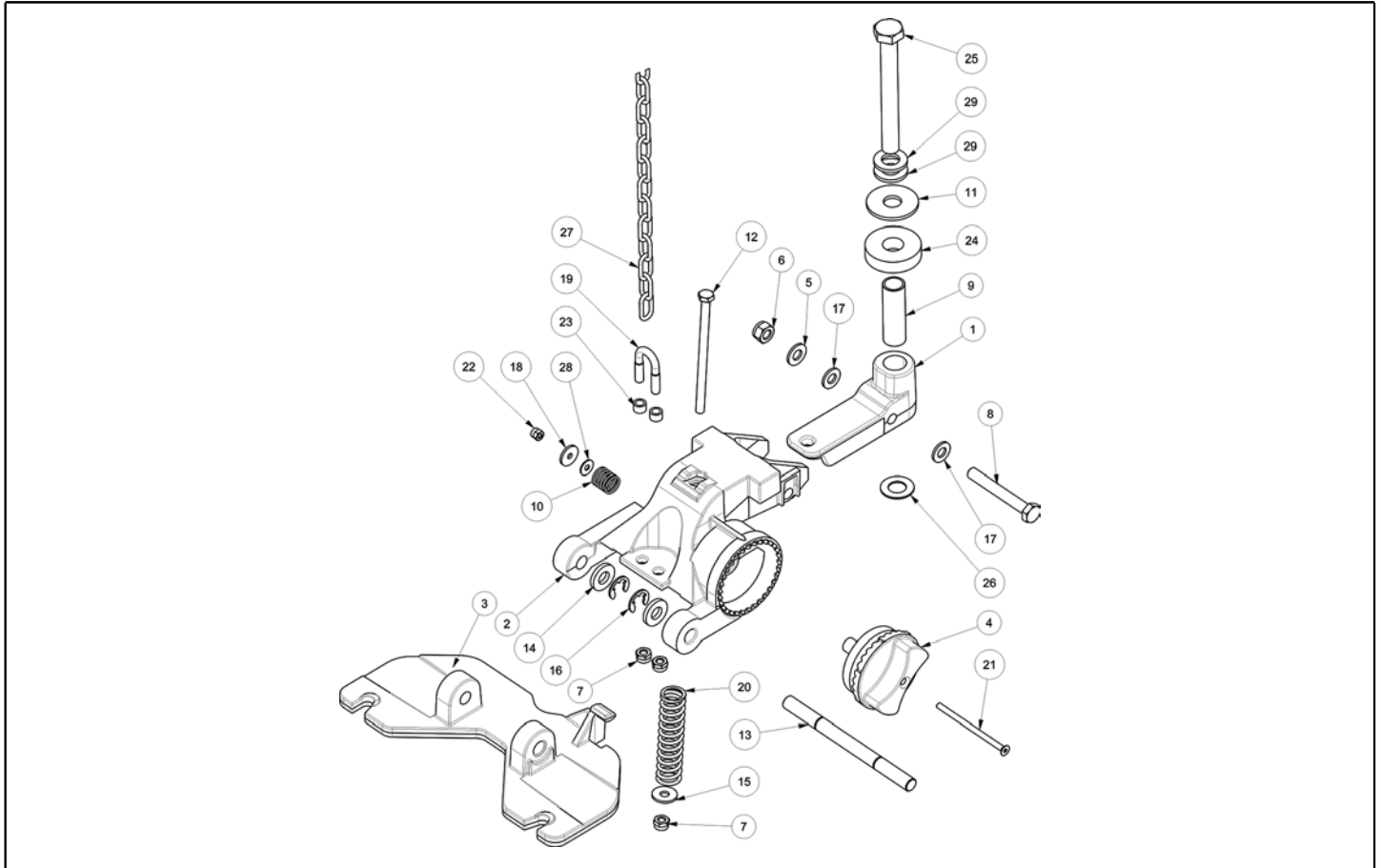
Ref: LPTB03238 - ANZ Market  
Model: FLOOR SCRUBBER T291



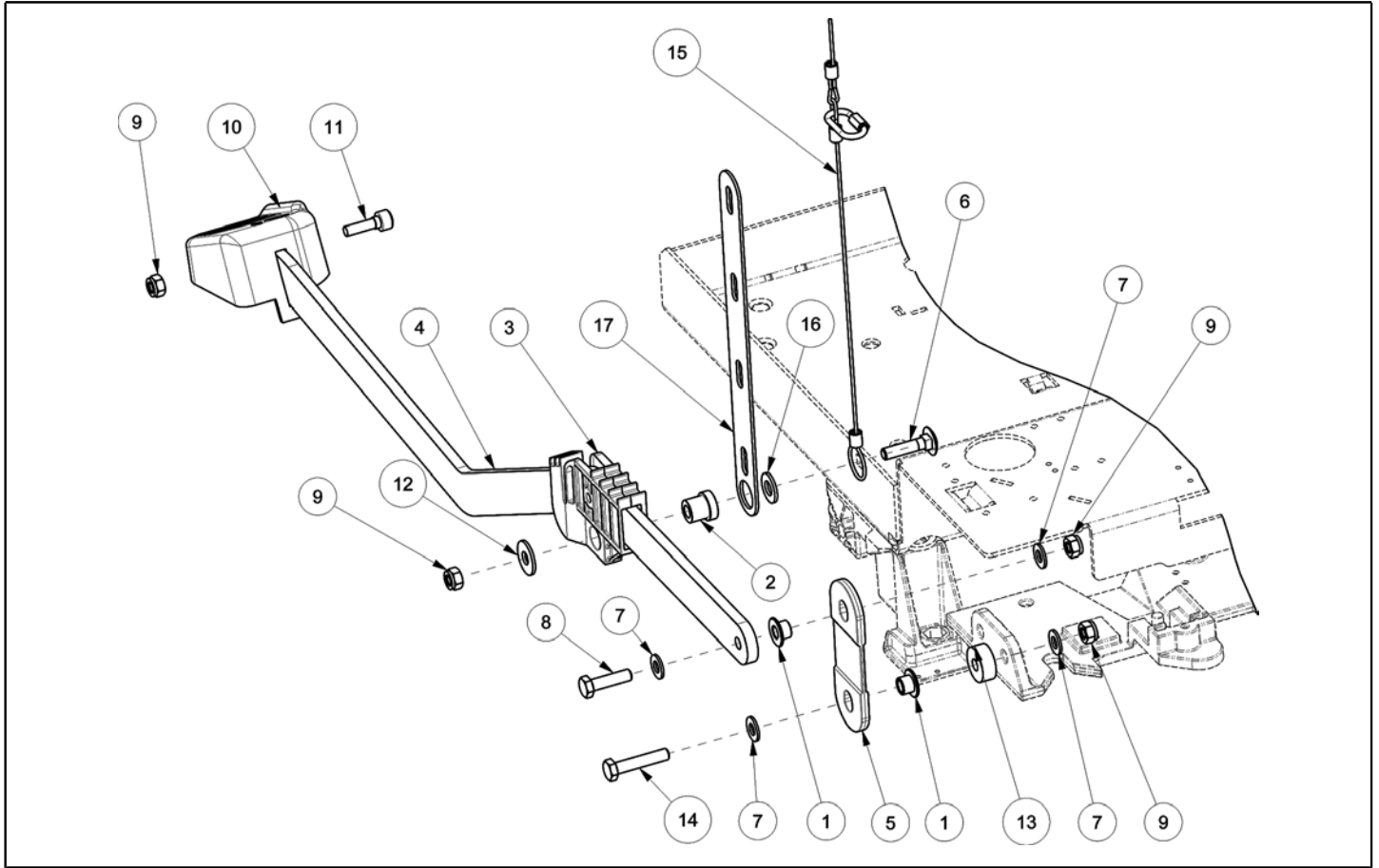
Ref. K	Part N.	Part N. 2	Description	Quantity	Validity		Price
					From	To	
0001	MPVR11904	N/A	SUPPORT FLAP PS CT51 B50	1,00			--
0002	MPVR11925	N/A	RUBBER SPLASH GUARD CT51 B50	1,00		10/12/2019	--
0002	MPVR12718	N/A	COVER CT51/71	1,00	11/12/2019		--
0003	LAFN11270	N/A	SHEET METAL PA. SPLASH GUARD CT51 B50	1,00			--
0004	VTVT01317	897658	SCREW, M5X12, TSPEI, UNI5933	7,00			--
0005	VTDD00531	N/A	NUT M5 DIN6926 INOX	7,00			--



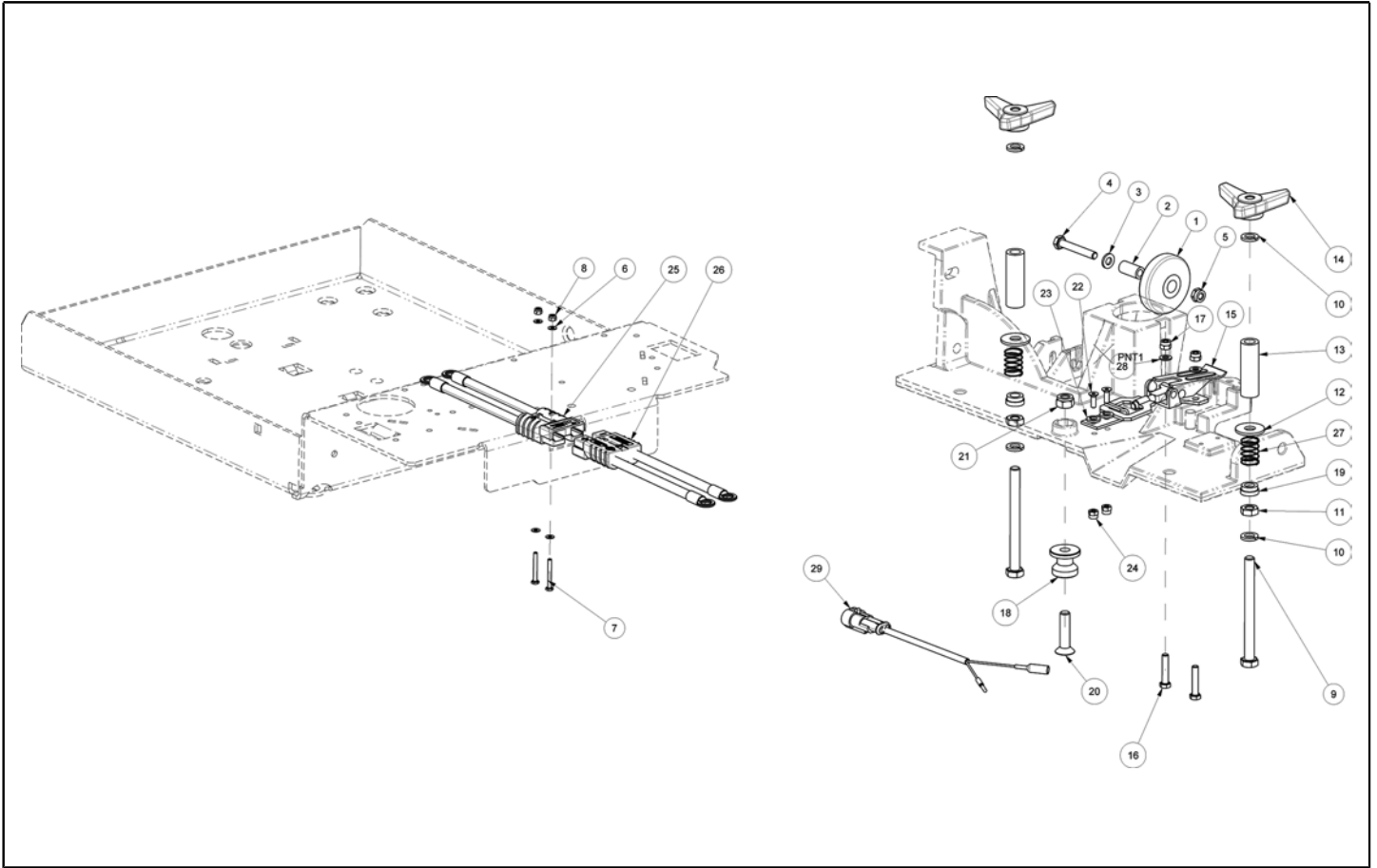
Ref. K	Part N.	Part N. 2	Description	Quantity	Validity		Price
					From	To	
0001	LAFN09477	N/A	FRAME CT50/70	1,00			--
0002	MFVR00286	N/A	SUPPORT -	1,00			--
0003	MFVR00287	N/A	SUPPORT -	1,00			--
0004	VTVT01352	N/A	SCREW TSPEI M8X20	6,00			--
0005	MFVR00283	N/A	SUPPORT -	1,00			--
0006	MFVR00284	N/A	SUPPORT -	1,00			--
0007	LAFN11009	N/A	SPACER -	1,00			--
0008	LAFN06391	897218	BUSHING BRUSH DECK SUPPORT	4,00			--
0009	LAFN10998	N/A	BUSHING -	2,00			--
0010	LAFN09420	N/A	ARM -	1,00			--
0011	MFVR00240	N/A	BRACKET BRUSH HEAD SUPPORT CT51	1,00			--
0012	LAFN09421	N/A	LEVER -	1,00			--
0013	VTRS13947	897152	WASHER, D.8, UNI6592, INOX	8,00			--
0014	VTVT00140	N/A	SCREW TE M8x30	2,00			--
0015	VTDD01701		NUT M8	15,00			--
0016	VTDD00176	897241	NUT, M.12, INOX, A2	1,00			--
0017	RTRT00689	9017788	CASTER, SWIVEL, PU, 80MM X 25MM	1,00			--
0018	VTVT00781	N/A	SCREW TSPEI M.8-25	1,00			--
0019	MPVR06505	N/A	COVERING ELECTRONIC BOX CT51	1,00			--
0020	VTRS13750	897384	WASHER D. 5X14 INX	4,00			--
0021	VTVT01366	897123	SCREW M4X16	1,00			--
0022	VTRS00515	897156	WASHER D. 4 INX	1,00			--
0023	VTDD00055	897276	NUT M 4 ATB A2	1,00			--
0024	VTVT00017	VTVT00017	SCREW TE UNI 5739 8X35 ZB	2,00			--
0025	LAFN11014	N/A	PIN -	1,00			--
0026	LAFN11077	N/A	PLATE -	1,00			--
0027	VTVT01322	N/A	SCREW TSPEI 8X45 UNI5933 INX	2,00			--
0028	VTVT01297	N/A	SCREW M 4X 8 TCB-TC UNI 8112	7,00			--
0029	VTVR00335	N/A	TIE ROD -	1,00			--
0030	VTDD15521	897229	NUT, M8, UNI5588, INOX, A2	1,00			--
0031	VTVT01431	N/A	SCREW M8X40	1,00			--
0032	MPVR10765	N/A	SUPPORT FOR CLAMP	2,00			--
0033	FSVR00049	N/A	CLAMP 4,5x200 black	2,00			--
0034	VTRS00017		WASHER STEEL INOX 4X12	1,00			--
0035	VTRS15146	897216	WASHER, D. 8, GRW, UNI1751, INOX	4,00			--
0036	VTRS15919	897544	WASHER, D.12, GROVER, UNI1751, INOX	1,00			--



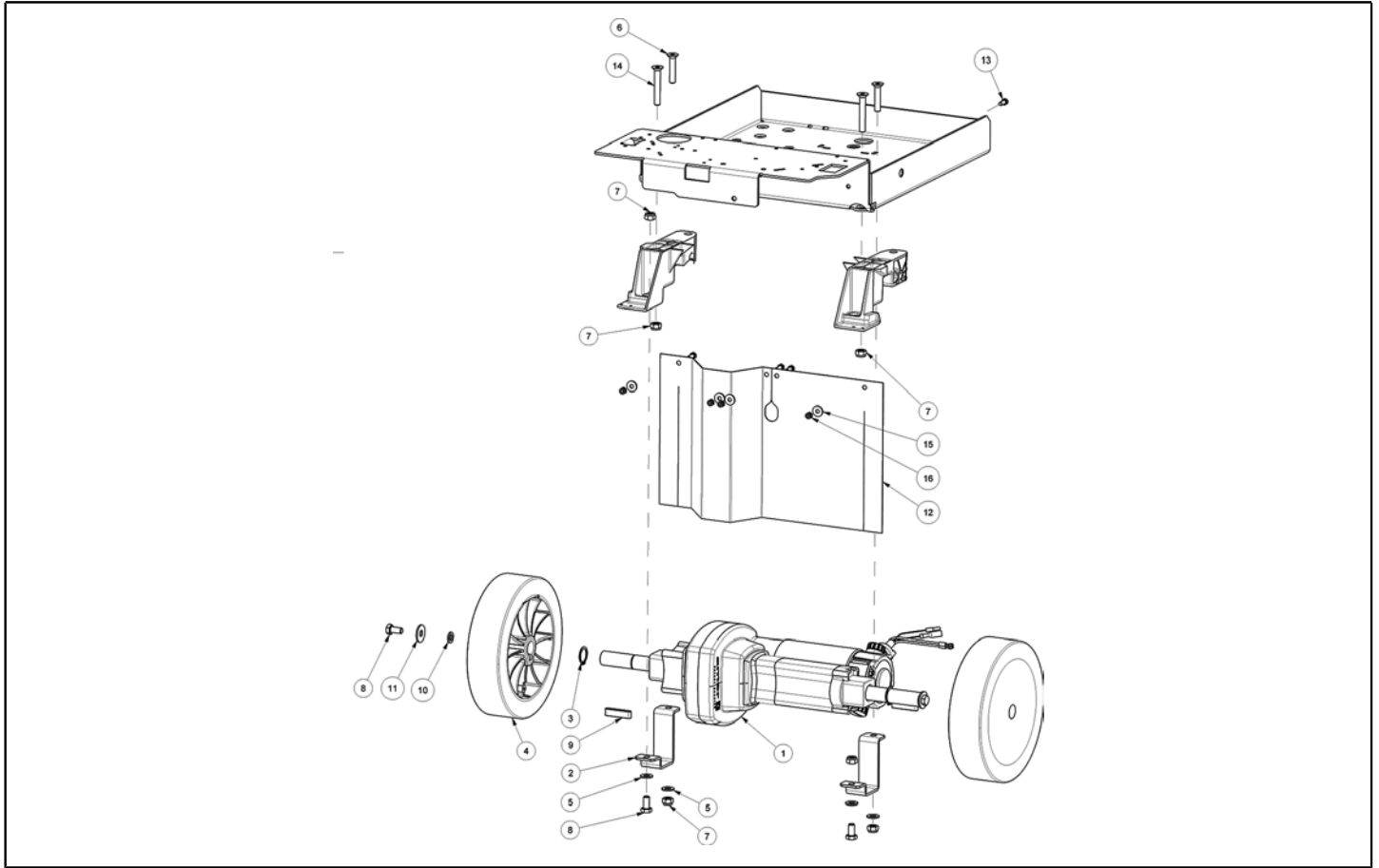
Ref. K	Part N.	Part N. 2	Description	Quantity	Validity		Price
					From	To	
0001	MFVR00235	N/A	SUPPORT PIVOT SQUEEGEE CT51-71	1,00			--
0002	MFVR00236	N/A	SUPPORT REGULATION SQUEEGEE CT51	1,00			--
0003	MFVR00237	N/A	SUPPORT SQUEEGEE CT51	1,00			--
0004	MPVR06468	N/A	KNOB SQUEEGEE ANGLE ADJUSTMENT	1,00			--
0005	VTRS13947	897152	WASHER, D.8, UNI6592, INOX	1,00			--
0006	VTDD01701		NUT M8	1,00			--
0007	VTDD01694	897138	NUT M6 INOX	3,00			--
0008	VTVT01009	897253	SCREW, M8X60	1,00			--
0009	LAFN09439	N/A	BUSHING 13X16X51	1,00			--
0010	MLML00491	N/A	SPRING SQUEEGEE KNOB	1,00			--
0011	VTRS09142	897247	WASHER, D. 12X36X2.5, UNI6593	1,00			--
0012	VTVT01437	N/A	SCREW TE M6x100	1,00			--
0013	LAFN09417	N/A	PIN FOR SQUEEGEE SUPPORT CT51	1,00			--
0014	VTRS00382	N/A	WASHER -	2,00			--
0015	VTRS13945	897112	WASHER D. 6X18 INX UNI 6593	1,00			--
0016	VTAE00012	N/A	SEEGER RADIALE UNI 7434 D.10	2,00		30/05/2021	--
0016	VTAE00077	N/A	SEEGER RADIALE TIPO H UNI7434 D8	2,00	31/05/2021		--
0017	VTRS00274	897157	WASHER NYLON 66 D. 84X17X2	2,00			--
0018	VTRS00251	897149	WASHER 4-16 INOX A2	1,00			--
0019	LAFN09231	897251	BRACKET, M6X11X29	1,00			--
0020	MLML00490	N/A	SPRING -	1,00			--
0021	VTVT01585	N/A	SCREW 4X70 UNI 5933	1,00			--
0022	VTDD15925	897160	NUT, M4, INOX, ZN	1,00			--
0024	MPVR06069	897255	WASHER, M15X40	1,00			--
0025	VTVT24212	N/A	SCREW TE M 12X100 UNI 5737 INOX	1,00		19/01/2020	--
0025	VTVT01503	N/A	SCREW M12X105 UNI5737 ZN 8.8	1,00	20/01/2020		--
0026	VTRS88000	N/A	WASHER ELAST.ONDUL.DI 13	1,00			--
0027	MTCR00107	N/A	CHAIN SQUEEGEE LIFTING CT51	1,00			--
0028	VTRS00017		WASHER STEEL INOX 4X12	1,00	23/05/2018		--
0029	VTRS15978	897215	WASHER, D.12X24, UNI6592, INOX	2,00	20/01/2020		--



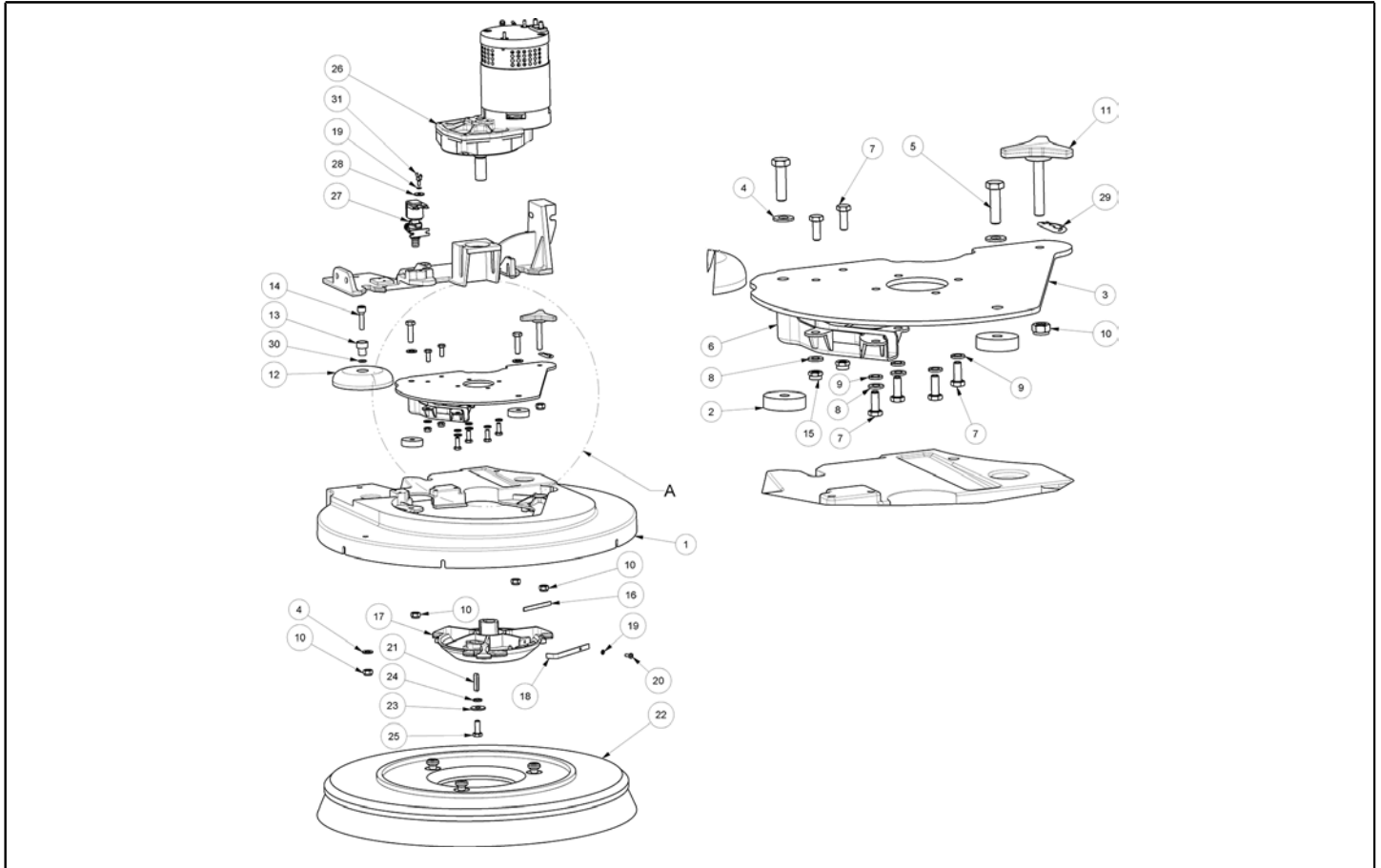
Ref. K	Part N.	Part N. 2	Description	Quantity	Validity		Price
					From	To	
0001	LAFN10998	N/A	BUSHING -	2,00			--
0002	LAFN10997	N/A	SPACER	1,00			--
0003	MPVR06500	N/A	SUPPORT LIFTING PEDAL CT51	1,00			--
0004	LAFN09427	N/A	LEVER PEDAL BRUSH HEAD CT51	1,00			--
0005	MPVR06502	N/A	PLATE LINK PEDAL-BRUSH HEAD 51	1,00			--
0006	VTVT01143	N/A	SCREW TTQDE M8X35	1,00			--
0007	VTRS13947	897152	WASHER, D.8, UNI6592, INOX	4,00			--
0008	VTVT13937	897246	SCREW, TE, M8X30, UNI5739, INOX	1,00			--
0009	VTDD01701		NUT M8	4,00			--
0010	MPVR06471	N/A	PEDAL HEAD LIFTING	1,00			--
0011	VTVT00639	N/A	SCREW TCEI 8X25	1,00			--
0012	VTRS13946	897120	WASHER, D.8X24, UNI6593, INOX	1,00			--
0013	MPVR10793	N/A	SPACER	1,00			--
0014	VTVT00708	897536	SCREW, TE, M.8X40	1,00			--
0015	CMCV00399	N/A	CABLE -	1,00			--
0016	VTRS15523	897432	WASHER, D. 10X21, UNI6592, INOX	1,00			--
0017	MPVR11573	N/A	GUIDE CT51-71	1,00			--



Ref. K	Part N.	Part N. 2	Description	Quantity	Validity		Price
					From	To	
0001	RTRT00576	N/A	WHEEL D.50X17 - HOLE 10.5	1,00			--
0002	MPVR06501	N/A	SPACER	1,00			--
0003	VTRS00245	897106	WASHER D.6 UNI 6592 INOX	1,00			--
0004	VTVT15145	N/A	SCREW TE 6X40 UNI5739 INX	1,00			--
0005	VTDD01694	897138	NUT M6 INOX	1,00			--
0006	VTRS21116	897193	WASHER, D. 3, INOX	4,00			--
0007	VTVT00021	VTVT00021	SCREW TE UNI 5739 3X25 ZB	2,00			--
0008	VTDD00210	9018496	NUT M 3 AUTOBL.DIN 985 IX.A2	2,00			--
0009	VTVT01321	N/A	SCREW TE 8X90 UNI5739	2,00			--
0010	VTRS15146	897216	WASHER, D. 8, GRW, UNI1751, INOX	4,00			--
0011	VTDD00057	VTDD00057	NUT UNI 5589 M8 BASSO ZB	2,00			--
0012	VTRS13946	897120	WASHER, D.8X24, UNI6593, INOX	2,00			--
0013	LAFN11002	N/A	SPACER -	2,00			--
0014	MPVR04164		YELLOW KNOB	2,00			--
0015	LAFN09418	N/A	HOOK BRUSH HEAD CT51	1,00			--
0016	VTVT00766	N/A	SCREW TE M. 5-25	2,00			--
0017	VTDD15517	VTDD15517	NUT M 5 INX	2,00			--
0018	LAFN09419	N/A	PIN -	1,00			--
0019	LAFN11089	N/A	SPACER -	2,00			--
0020	VTVT00427	VTVT00427	SCREW TSPEI 8X35 UNI5933 INX	1,00			--
0021	VTDD01701		NUT M8	1,00			--
0022	VTVT00474	VTVT00474	SCREW TSCE uni 5933 4x12 ZB	2,00			--
0023	VTRS15144	897129	WASHER D. 6 INX GRW UNI 1751	2,00			--
0024	VTDD15925	897160	NUT, M4, INOX, ZN	2,00			--
0025	MECB01947	N/A	WIRING BOARD BRUSH HEAD CT51-71	1,00			--
0026	MECB01946	N/A	WIRING BRUSH HEAD MOTORS CT51-71	1,00			--
0027	MLML00348	MLML00348	SPRING -	2,00			--
0028	VTRS00516	897166	WASHER, D. 5, INOX	2,00			--
0029	MECB02024	N/A	WIRING BRUSH MOTOR THERMAL CON.	1,00			--

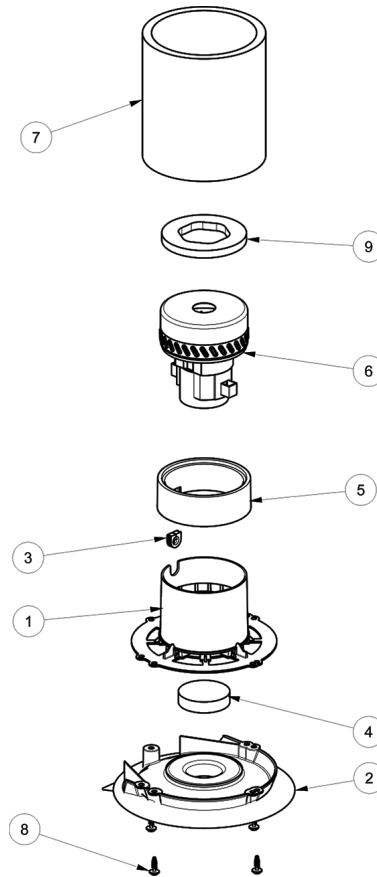


Ref. K	Part N.	Part N. 2	Description	Quantity	Validity		Price
					From	To	
0001	MOCC00465	N/A	MOTOR TRACTION 24V 200W	1,00			--
0001	MOCC00022	9017743	VR, BRUSH KIT, MOTOR, TRANSAXLE [2 PC]	1,00			--
0002	LAFN09453	N/A	SUPPORT TRACTION MOTOR CT51	2,00			--
0003	VTAE06193	897280	CIRCLIP, D. 20, UNI7435	2,00			--
0004	RTRT00546	897346	WHEEL D.200	2,00			--
0005	VTRS13947	897152	WASHER, D.8, UNI6592, INOX	4,00			--
0006	VTVT01589	N/A	SCREW M8X40 UNI933 A2	2,00			--
0007	VTDD01701		NUT M8	6,00			--
0008	VTVT15916	897184	SCREW, TE, M8X16, UNI5739, A2	4,00			--
0009	VTVR00566	897351	KEY, M6X10X40, UNI6604 A (H.10)	2,00			--
0010	VTRS15146	897216	WASHER, D. 8, GRW, UNI1751, INOX	2,00			--
0011	VTRS13946	897120	WASHER, D.8X24, UNI6593, INOX	2,00			--
0012	MPVR10760	N/A	FLAP TRACTION MOTOR CT51	1,00			--
0013	VTVT01300	897459	SCREW, M5X12, TE, INOX	4,00			--
0014	VTVT00992	N/A	SCREW M8x55 INOX	2,00			--
0015	VTRS13750	897384	WASHER D. 5X14 INX	4,00			--
0016	VTDD01693	VTDD01693	NUT, M5, INOX	4,00			--

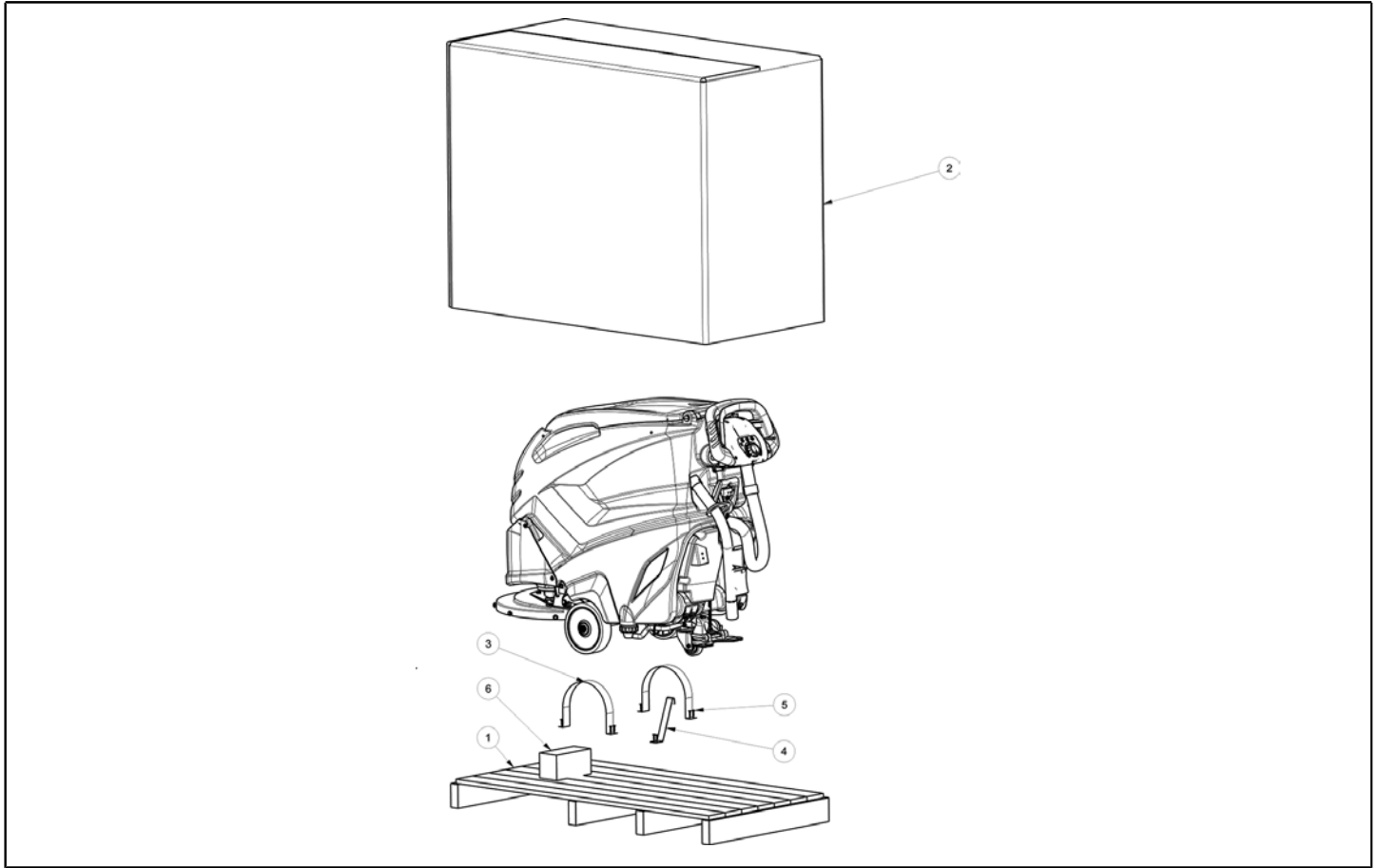


Ref. K	Part N.	Part N. 2	Description	Quantity	Validity		Price
					From	To	
0001	MFVR00238	N/A	HEAD DECK ALUMINIUM 50-55	1,00			--
0002	GUVR01012	N/A	WASHER 8X35	2,00			--
0003	LAFN09424	N/A	PLATE -	1,00			--
0004	VTRS13947	897152	WASHER, D.8, UNI6592, INOX	3,00			--
0005	VTVT01050	897530	SCREW, TE, M8X30, UNI5737, INOX	2,00			--
0006	MPVR06503	N/A	TUBE	1,00			--
0007	VTVT15143	897128	SCREW TE 6X16 UNI5739	6,00			--
0008	VTRS00245	897106	WASHER D.6 UNI 6592 INOX	4,00			--
0009	VTRS15144	897129	WASHER D. 6 INX GRW UNI 1751	4,00			--
0010	VTDD01695	897124	NUT, M8, INOX	5,00			--
0011	MPVR10568	N/A	HANDWHEEL -	1,00			--
0012	MPVR05290	897101	WHEEL, BMPR, 98,5d X 21,5W	1,00			--
0013	LAFN03915	897121	BUSHING NUOVO RUOTINO STRONG	1,00			--
0014	VTVT00822	897122	SCREW, TCEI, M8X30	1,00			--
0015	VTDD01694	897138	NUT M6 INOX	2,00			--
0016	MLML00470	N/A	SPRING -	1,00			--
0017	MFVR00242	N/A	DRIVE DISK CONICAL ALUMINIUM	1,00		29/11/2020	--
0017	MFVR00327	N/A	DRIVE DISK CONICAL ALUM.	1,00	30/11/2020		--
0018	MLML00350	N/A	SPRING ALUM. CONICAL DRIVER	1,00			--
0019	VTRS15913	897204	WASHER D. 4 GROVER A2 UNI1751	1,00			--
0020	VTVT21887	897313	SCREW, TCB, TC, M4X10	2,00			--
0021	VTVR16617	VTVR16617	WEDGE 6X 6X30 UNI 6604	1,00			--
0022	SPPV01352	9017761	BRUSH ASSY, DISK, SCB, 50CM, 3-LUG, PYP	1,00			--
0023	VTRS13946	897120	WASHER, D.8X24, UNI6593, INOX	1,00			--
0024	VTRS15146	897216	WASHER, D. 8, GRW, UNI1751, INOX	1,00			--
0025	VTVT13938	897316	SCREW, TE, M8X20, UNI5739, INOX	1,00			--
0026	MOCC00449	N/A	MOTOR BRUSH CT51-71 BT55	1,00			--
0026	MEVR02923	N/A	CARBON MOCC00449-MOCC00450	1,00			--
0027	MEEV00036	9017718	VALVE, WATER, SOLENOID, 24VDC	1,00			--
0028	VTRS00251	897149	WASHER 4-16 INOX A2	1,00			--
0029	ETET20123	N/A	LABEL -	1,00			--
0030	GUGO00164	897102	O-RING, 13.00 Od X 10.00 Id	1,00			--
0031	VTVT01150	897169	SCREW, M4X10	1,00			--

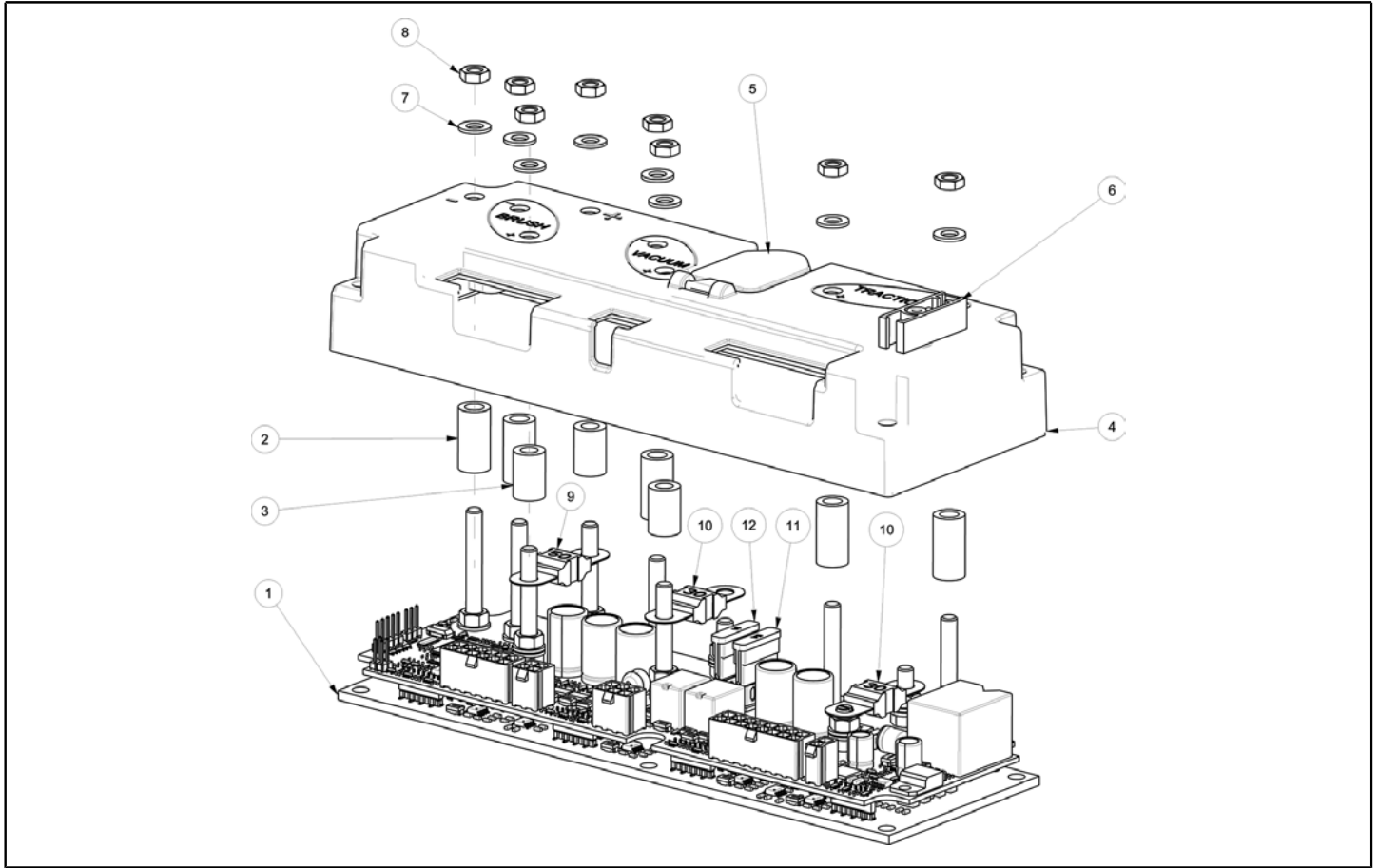




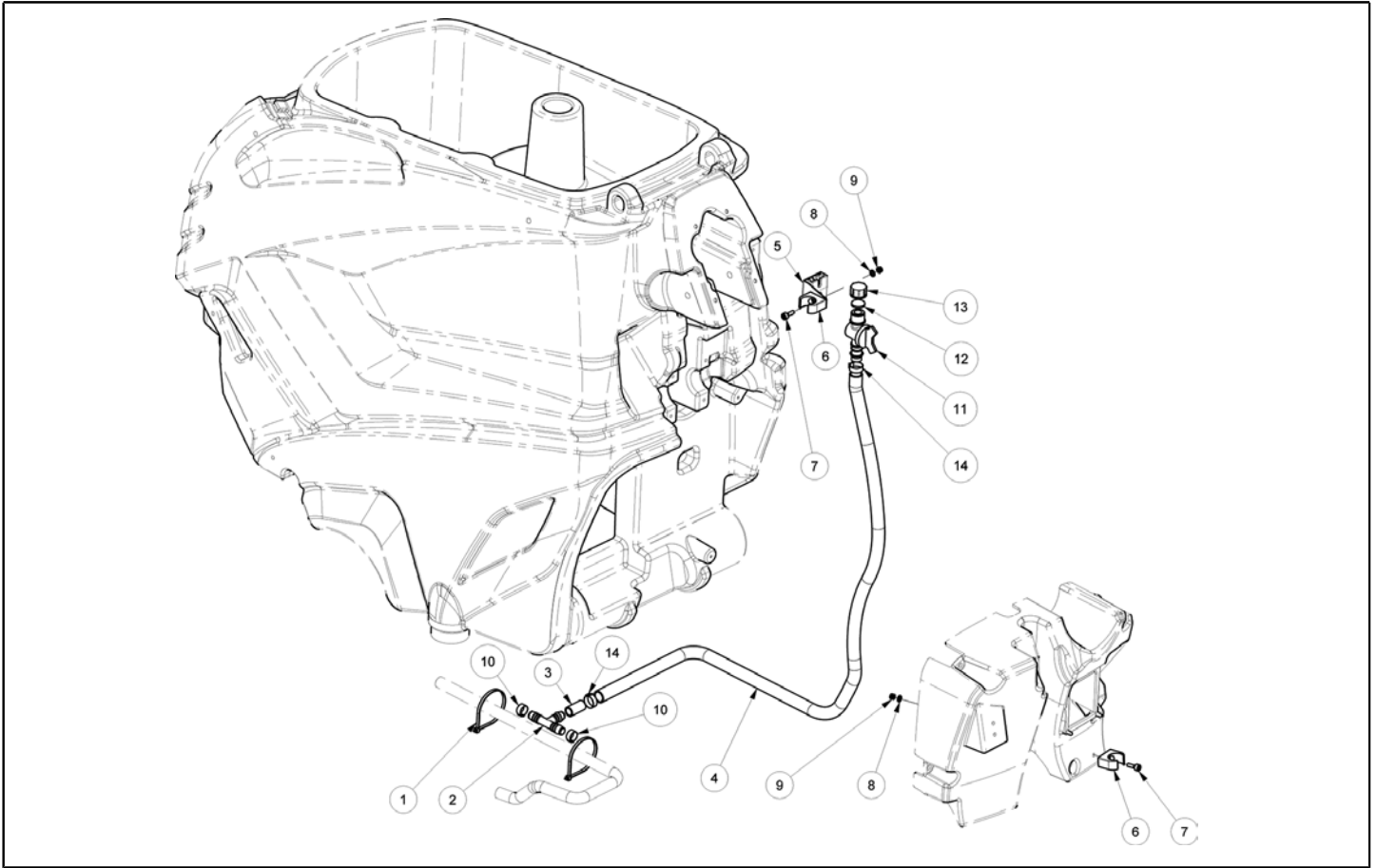
Ref. K	Part N.	Part N. 2	Description	Quantity	Validity		Price
					From	To	
0001	MPVR06466	N/A	SUPPORT VACUUM MOTOR 2 ST.CT51-71	1,00			--
0002	MPVR06480	N/A	COVERING VACUUM MOTOR CT51-71	1,00			--
0003	GUGO00496	897438	FAIRLEAD, 13,5D	1,00			--
0004	FTAC00072	897435	FILTER, FAN	1,00		04/07/2018	--
0005	GUGO00466	897440	GASKET, RBR, FAN	1,00			--
0006	MOCC00417	897436	FAN, VACUUM, 24VDC, 2 STAGE	1,00		04/07/2018	--
0006	MEVR02377	9017764	VR, BRUSH, MOTOR, VACFAN	1,00		04/07/2018	--
0006	MOCC00349	9017716	FAN, VACUUM	1,00	05/07/2018		--
0006	MEVR05200	9017687	VR, BRUSH, MOTOR, VACFAN	1,00	05/07/2018		--
0007	ITSO00076	N/A	SOUND-PROOFING VAC. MOTOR EXTERNAL	1,00			--
0008	VTVT01427	N/A	SCREW STS KN1038 8x25 - T40 A2	4,00			--
0009	GUGO00509	N/A	GASKET VACUUM MOTOR CT51-71	1,00			--



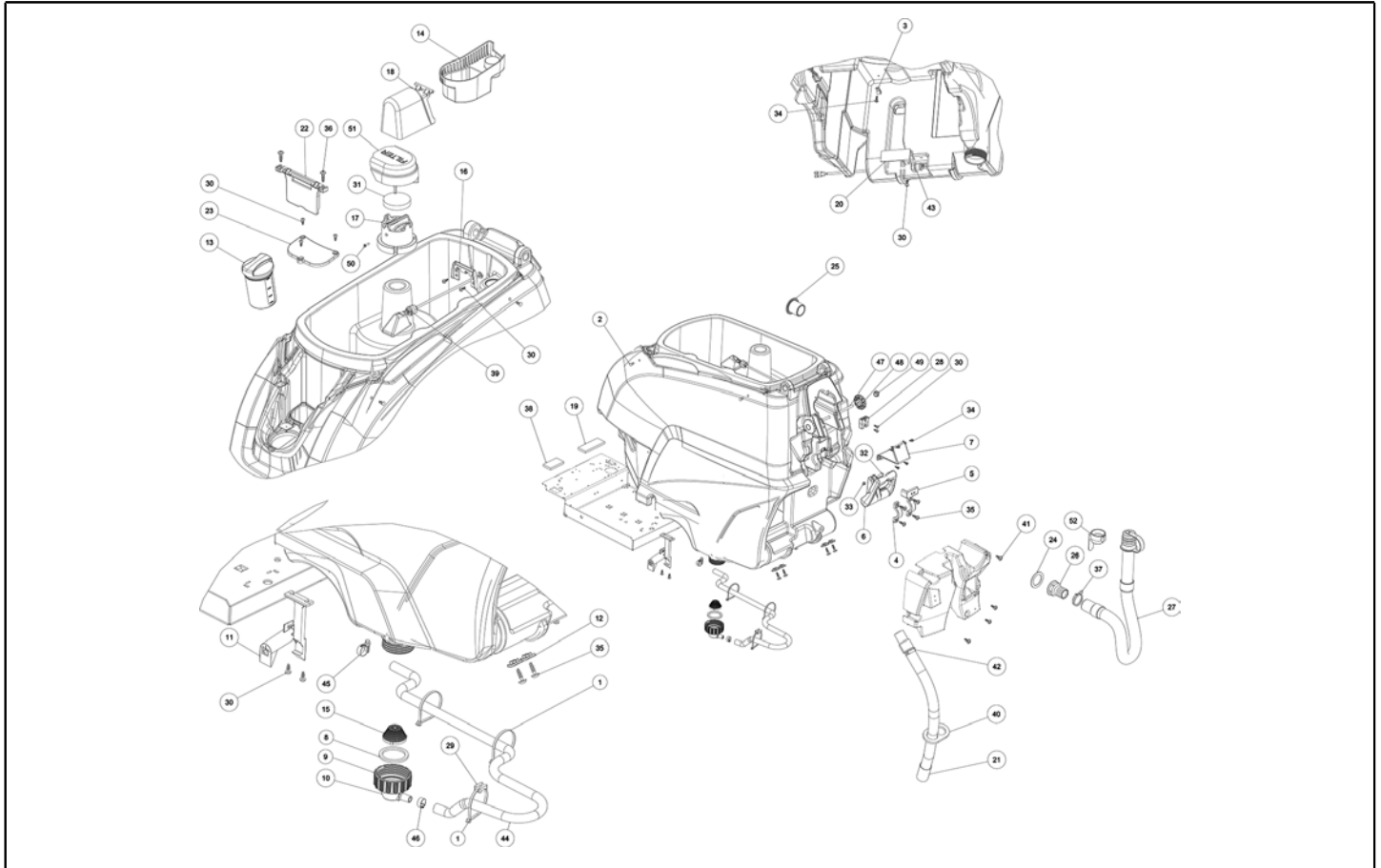
Ref. K	Part N.	Part N. 2	Description	Quantity	Validity		Price
					From	To	
0001	MIBA00150	N/A	PALLET	1,00			--
0002	MICT00703	N/A	CARTON	1,00			--
0003	MIVR00135	N/A	CLAMP RUOTA POSTERIORE X IMBAL.	2,00			--
0004	MIVR00269	N/A	BRACKET	1,00			--
0005	VTVT00043	N/A	SCREW AUTOF.LEGNO 4,5X25 TS BR	10,00			--
0006	MIVR00055	N/A	BODY SIDE INF. IN POLIST.400X100X90	0,50			--



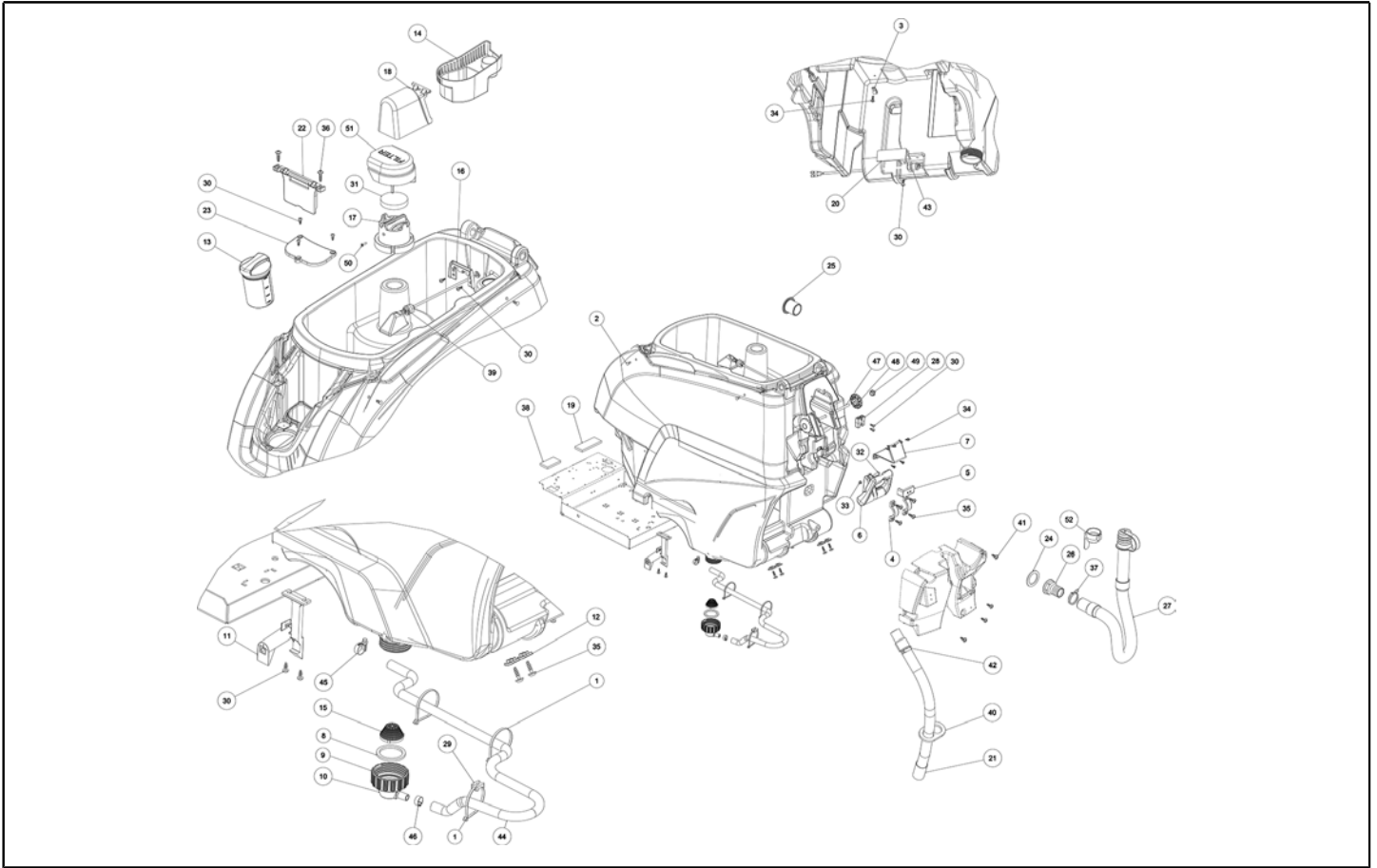
Ref. K	Part N.	Part N. 2	Description	Quantity	Validity		Price
					From	To	
0001	MECE00785	N/A	BOARD TRACTION CT51-71	1,00		18/03/2020	--
0001	MECE00812	N/A	BOARD TRACTION CT51-71 RULLI	1,00	19/03/2020		--
0002	MPVR06501	N/A	SPACER	5,00			--
0003	LAFN01298	N/A	SPACER PLASTIC 10X5,5X15	3,00			--
0004	MPVR11447	N/A	COVERING ELECTRONIC BOARD CT51BT	1,00			--
0005	MPVR11448	N/A	COVER PLASTIC FUSE BOX CT51	1,00			--
0006	MEVR01153	N/A	FUSE EXTRACTOR	1,00			--
0007	VTRS00516	897166	WASHER, D. 5, INOX	8,00			--
0008	VTDD00209	N/A	NUT M5 LOW UNI5589	8,00			--
0009	MEVR02105	9018332	FUSE, 50A	1,00			--
0010	MEVR02104	897301	FUSE 30A OMEGA FT3030	2,00			--
0011	MEVR00565	9017817	FUSE, 005A	1,00			--
0012	MEVR00563	N/A	FUSE 1A	1,00			--



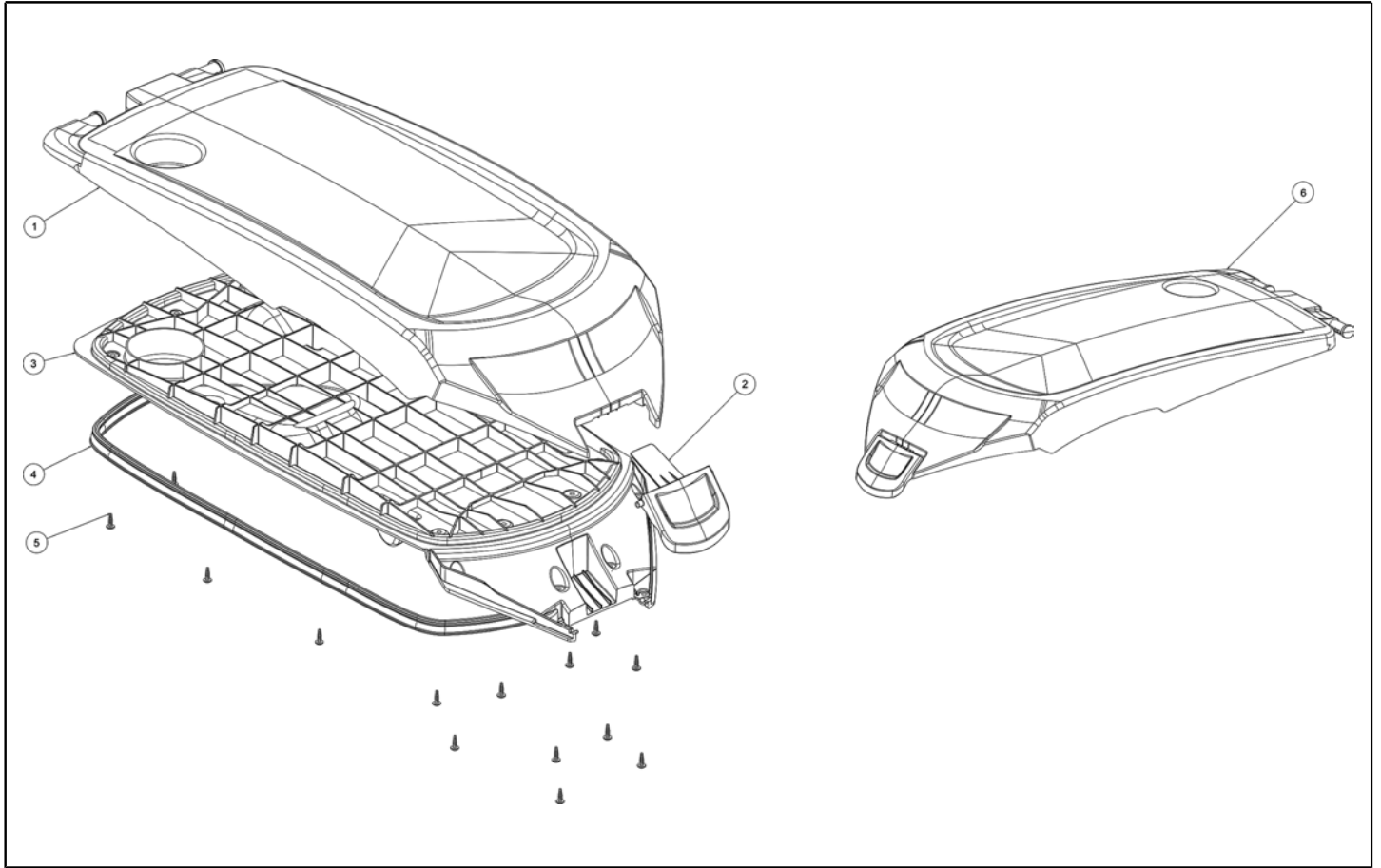
Ref. K	Part N.	Part N. 2	Description	Quantity	Validity		Price
					From	To	
0001	FSVR00049	N/A	CLAMP 4,5x200 black	2,00			--
0002	RCVR00483	897268	CONNECTOR 3 VIE	1,00			--
0003	TBFX01215	897272	TUBE, D.30X12X17	1,00			--
0004	TBBP00120	897656	HOSE, DRAIN, SOLTN	1,02			--
0005	LAFN11229	N/A	BRACKET LEVEL TUBE	1,00			--
0006	MPVR05280	897266	CLIP, M25	2,00			--
0007	VTVT17720		SCREW TCEI M 5X16 INOX	2,00			--
0008	VTRS00516	897166	WASHER, D. 5, INOX	2,00			--
0009	VTDD01693	VTDD01693	NUT, M5, INOX	2,00			--
0010	FSVR00261	897257	CLAMP	2,00			--
0011	RCVR00590	897271	CONNECTOR 1/2 M RESCA 15	1,00			--
0012	GUGO00268	897270	GASKET D.21 SP.3 GOMMA	1,00			--
0013	RCVR00353	897269	CAP 1/2"G X ELETTROV. ACL	1,00			--
0014	FSVR00256	897273	CLAMP	2,00			--



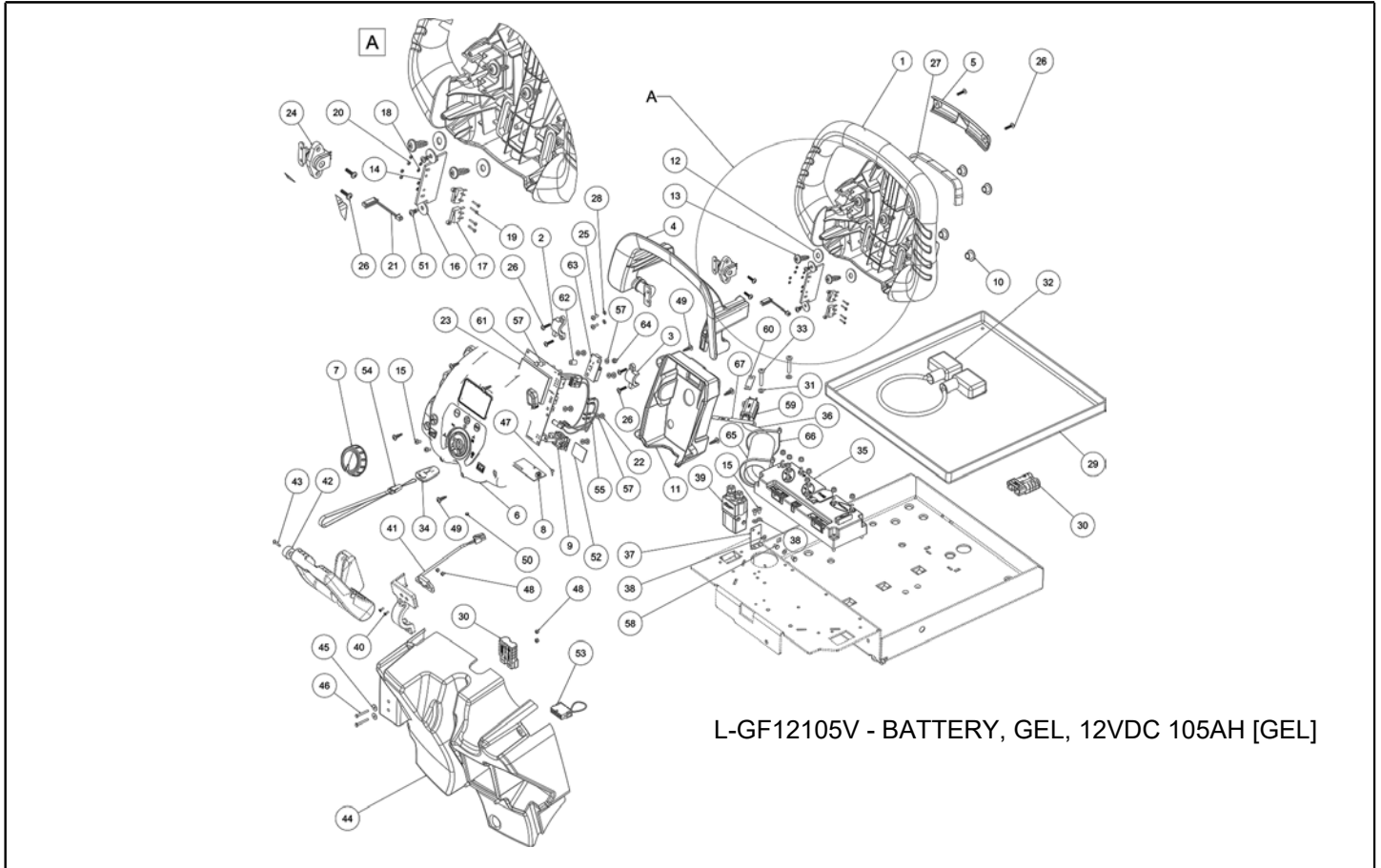
Ref. K	Part N.	Part N. 2	Description	Quantity	Validity		Price
					From	To	
0001	FSVR00049	N/A	CLAMP 4,5x200 black	3,00			--
0002	MPVR11355	N/A	CLIP	2,00			--
0003	MPVR02933	897334	DUCT LOCK D.9,5	1,00			--
0004	MPVR06470	N/A	PLATE -	1,00			--
0005	MPVR10564	N/A	SUPPORT -	1,00			--
0006	MPVR13036	N/A	HANDLE RAL7024	1,00			--
0007	MPVR13212	N/A	FLANGE T51-T71	1,00			--
0008	GUGO00478	N/A	GASKET SOLUTION FILTER CT51	1,00			--
0009	MPVR06561	N/A	CAP SOLUTION TANK CT51-71	1,00			--
0010	MPVR10566	N/A	HOSE FITTING SOLUTION FILTER CT51	1,00			--
0011	MPVR06475	N/A	LEVER TANK LOCKING CT51	1,00			--
0012	MPVR10562	N/A	SLIDE -	4,00			--
0013	MPVR11497	897463	CAP, SOLTN, TANK	1,00			--
0014	MPVR06490	N/A	FILTER DEBRIS COLLECTOR	1,00			--
0015	MPVR10565	N/A	FILTER SOLUTION TANK CT51-71	1,00			--
0016	MPVR10576	N/A	SUPPORT -	1,00			--
0017	MPVR11676	N/A	SUPPORT FILTER CT51-71	1,00			--
0018	MPVR06560	N/A	PROTECTION	1,00			--
0019	MPVR11766	N/A	THICKNESS 110X40X8,5	1,00			--
0020	LAFN11043	N/A	BRACKET -	1,00			--
0021	TBFX00353	N/A	TUBE SUCTION CT40-51-55-70-90	1,00			--
0022	MPVR13045	N/A	SUPPORT RAL5021	1,00			--
0023	MPVR13046	N/A	COVER RAL5021	1,00			--
0024	GUGO00216	N/A	GASKET TANK DRAIN HOSE CUFF	1,00			--
0025	RCVR00339	N/A	CONNECTOR RIF .220.060	1,00			--
0026	RCVR01103	N/A	CONNECTOR 1"1/2F d.45	1,00			--
0027	TBFX01069	N/A	TUBE DRAIN RECOVERY TANK CT51-	1,00			--
0028	MPVR11684	N/A	JOINT TUBO	1,00			--
0029	MPVR10765	N/A	SUPPORT FOR CLAMP	1,00			--
0030	VTVT01073	VTVT01073	SCREW STS KN1039 6x16 - T25 A2	10,00			--
0031	FTDP00678	N/A	FILTER VACUUM MOTOR CT51	1,00			--
0032	VTVT01714	N/A	SCREW TBEI 6X30	1,00			--
0033	VTDD01694	897138	NUT M6 INOX	1,00			--
0034	VTVT01072		SCREW STS KN1038 5x16 - T20 A2	5,00			--
0035	VTVT01427	N/A	SCREW STS KN1038 8x25 - T40 A2	8,00			--
0036	VTVT01429	N/A	SCREW STS KN1038 8x30 - T40 A2	2,00			--
0037	FSVR00262	N/A	CLAMP	1,00			--
0038	MPVR11767	N/A	THICKNESS 75X40X8,5	1,00			--
0039	MECI00662	N/A	SENSOR LEVEL	1,00	21/06/2018		--
0040	MPVR04659		SUCTION HOSE FLANGE	1,00			--
0041	VTVT01430	N/A	SCREW STS KN1038 8x22 - T40 A2	4,00			--
0042	MPVR06119	N/A	CLAMP INDICATION , YELLOW	1,00			--
0043	MECI00592	N/A	SENSOR SOLUTION TANK CT51-71	1,00			--
0044	TBFX48011	897256	TUBE FLEX D.12X3 ARMORV.PVC TR	1,00			--



Ref. K	Part N.	Part N. 2	Description	Quantity	Validity		Price
					From	To	
0045	FSVR00428	897362	CLAMP, HOSE, WORMDRIVE, 12- 20D	1,00			--
0046	FSVR00261	897257	CLAMP	1,00			--
0047	VTVR01001	N/A	BAR	1,00			--
0048	KTRI05357	N/A	HANDLE ADJUSTMENT KNOB KIT T291-	1,00			--
0049	KTRI05357	N/A	HANDLE ADJUSTMENT KNOB KIT T291-	1,00			--
0050	VTVT00835	N/A	SCREW 4.5-20 DIN 7505-A INOX	1,00			--
0051	MPVR11641	N/A	COVERING FILTER CT51	1,00			--
0052	MPVR01097	N/A	HOOK DRAIN HOSE	1,00			--



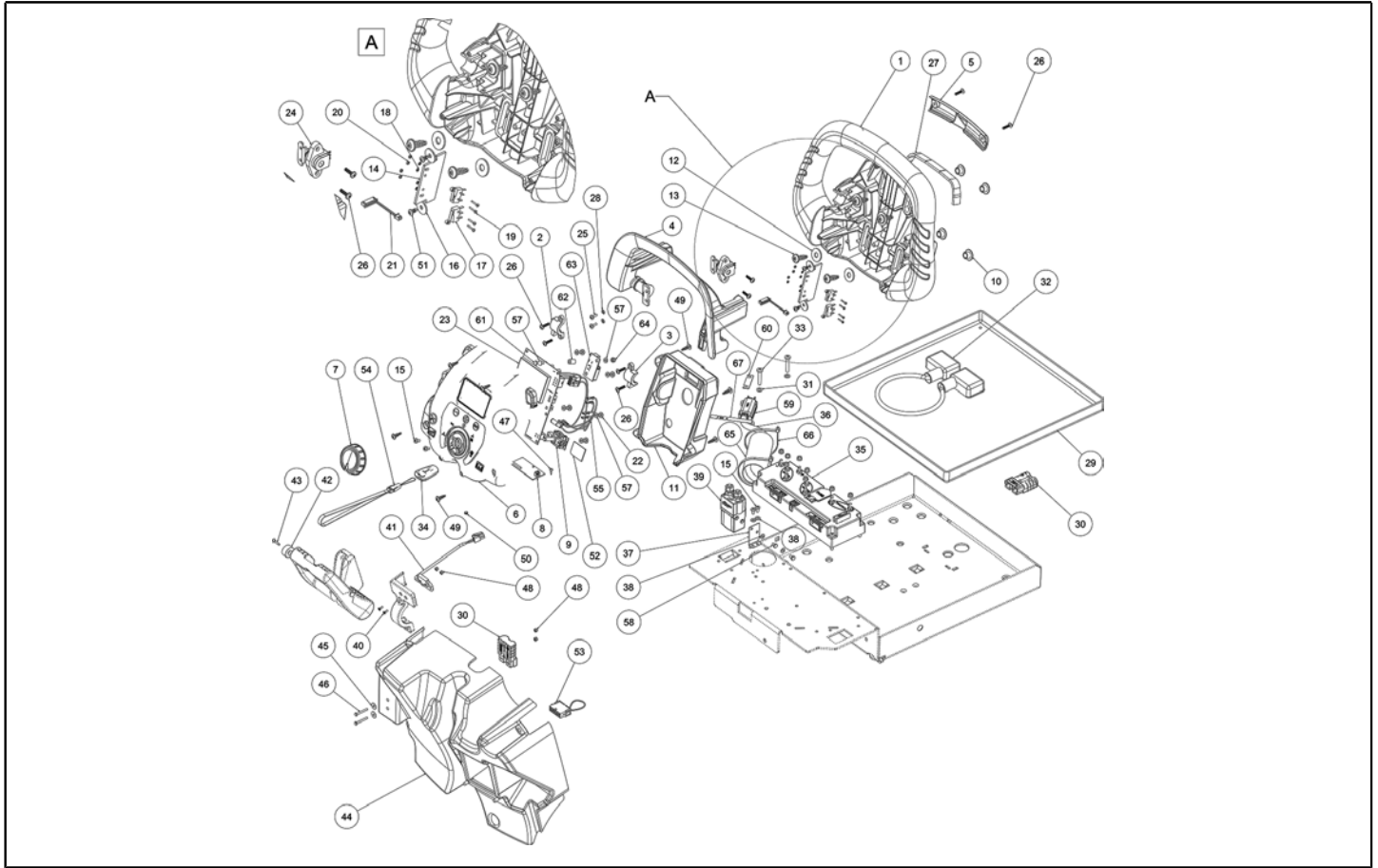
Ref. K	Part N.	Part N. 2	Description	Quantity	Validity		Price
					From	To	
0001	MPVR13035	N/A	COVER RECOVERY TANK RAL7024	1,00			--
0002	MPVR12967	N/A	LEVER T51	1,00			--
0003	MPVR13047	N/A	COVER RAL7024	1,00			--
0004	GUVR01019	N/A	GASKET RECOVERY TANK LID CT51-71	1,00			--
0005	VTVT01072		SCREW STS KN1038 5x16 - T20 A2	17,00			--
0006	KTRI06346	N/A	KIT COVER RECOVERY TANK	1,00			--



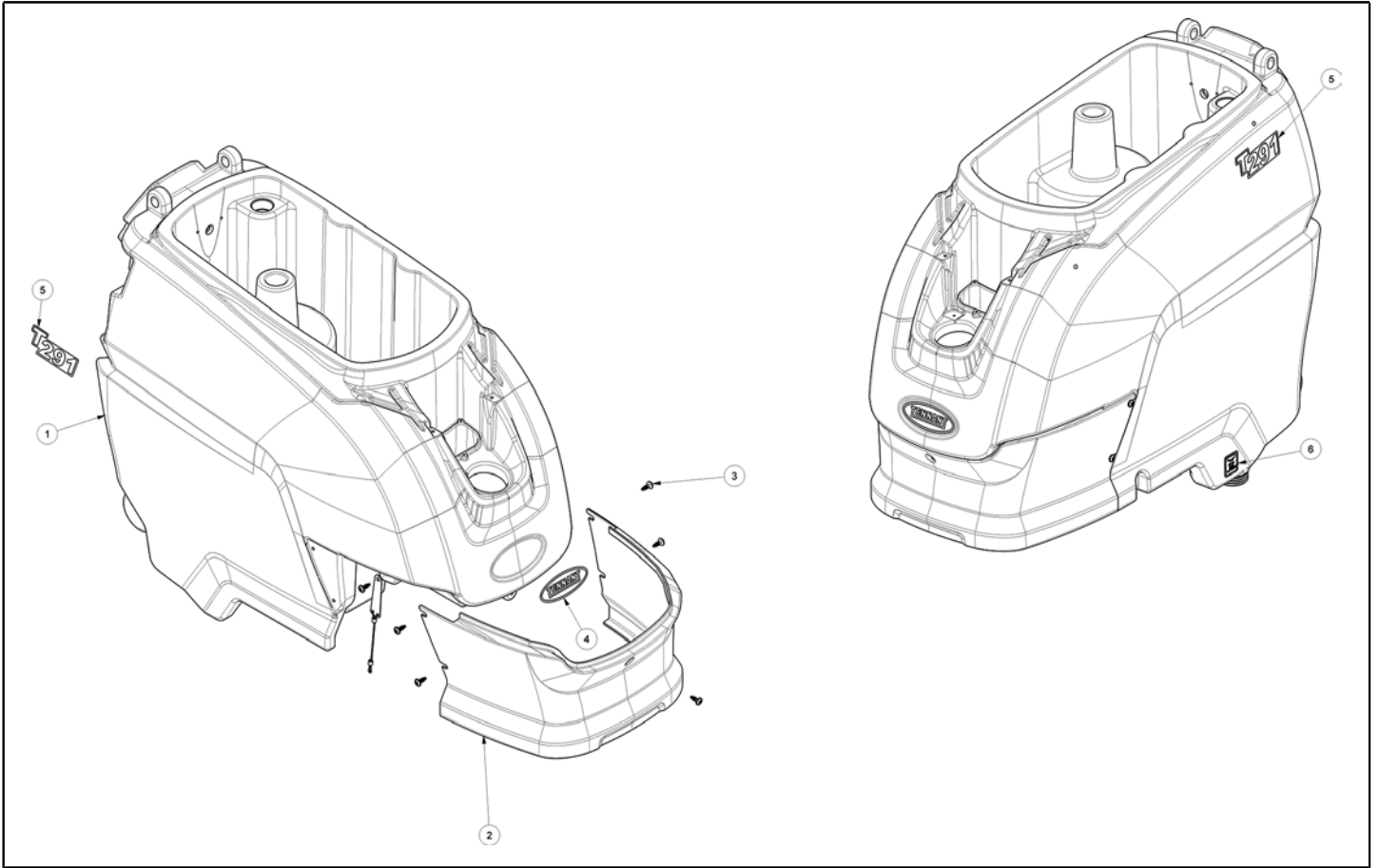
L-GF12105V - BATTERY, GEL, 12VDC 105AH [GEL]

Ref. K	Part N.	Part N. 2	Description	Quantity	Validity		Price
					From	To	
0001	MPVR13039	N/A	BOARD RAL7024	1,00			--
0002	MPVR06528	N/A	SUPPORT -	1,00			--
0003	MPVR07177	N/A	SUPPORT -	1,00			--
0004	MPVR06526	N/A	LEVER DIRECTION CT51-71	1,00			--
0005	MPVR13040	N/A	CAP RAL7024	1,00			--
0006	MPVR13041	N/A	BOARD RAL7024	1,00			--
0007	MPVR13038	N/A	SMALL KNOB BLACK	1,00			--
0008	MECE00804	N/A	BOARD KEY READER CT51-71 BT-XP	1,00			--
0009	MECI00587	N/A	SELECTOR DIALER SWITCH CT51-71	1,00			--
0010	LAFN10998	N/A	BUSHING -	4,00			--
0011	MPVR11640	N/A	COVERING CT51	1,00			--
0012	VTRS13946	897120	WASHER, D.8X24, UNI6593, INOX	4,00			--
0013	VTVT01427	N/A	SCREW STS KN1038 8x25 - T40 A2	4,00			--
0014	MPVR11198	N/A	SPACER CT51/71	1,00			--
0015	VTVT00813	897140	SCREW, M4X8, TCB, TC, UNI8112	4,00			--
0016	VTRS00291	VTRS00291	WASHER, FLAT, 5 X 20	2,00			--
0017	MECI00588	MECI00588	MICROSWITCH	2,00			--
0018	VTRS00581	N/A	WASHER D.2	4,00			--
0019	VTVT01592	N/A	SCREW TC 2X12	4,00			--
0020	VTDD00213	VTDD00213	NUT M2	4,00			--
0021	MECB02058	N/A	WIRING CONNECTION REED CT51-71	1,00			--
0022	VTVT01694	897574	SCREW SELF TAPPING 4.8X9.5 SUS	5,00			--
0023	MECE00810	N/A	BOARD DISPLAY CT51-71 BT-XP	1,00			--
0024	MEVR02389	N/A	POTENTIOMETER WIG-WAG 45° CT51	1,00			--
0025	VTVT37012	897180	SCREW, M4X10, TCB, TC, INOX	2,00			--
0026	VTVT01071	897669	SCREW STS KN1031-Neu 4x16 - H2	8,00			--
0027	MPVR10772	N/A	GASKET	1,00			--
0028	VTRS15913	897204	WASHER D. 4 GROVER A2 UNI1751	2,00			--
0029	LAFN35588	897207	BATTERY SUPPORT CT LINE	1,00			--
0030	MEVR01079	897298	PLUG M CB50 A 600V RD.	1,00			--
0031	VTRS00516	897166	WASHER, D. 5, INOX	4,00			--
0032	MEVR34820	897205	WIRING BATTERY BRIDGE W/TERMINAL	1,00			--
0033	VTVT01440	N/A	SCREW	4,00			--
0034	MEVR02642	N/A	KEY COMPLETE WITH RFID	2,00			--
0035	MECE00786	N/A	BOARD TRACTION CT51-71 COMPLETE	1,00			--
0036	MECB01919	N/A	WIRING MAIN HARNESS CT51	1,00			--
0037	LAFN11075	N/A	BRACKET -	1,00			--
0038	VTRS00515	897156	WASHER D. 4 INX	4,00			--
0039	METT00085	897208	CONTACTOR 100A	1,00			--
0040	VTVT01070	9018497	BOLT, STRAP, SQGE	2,00			--
0041	MECI00626	N/A	SENSOR SQUEEGEE POSIT. CT51	1,00			--
0042	MEVR02381	N/A	MAGNET SQUEEGEE LEVER CT51	1,00			--
0043	VTVT17357	N/A	SCREW TSP-TC 3.9X16 UNI6955	1,00			--
0044	MPVR13037	N/A	COVER RAL7024	1,00			--

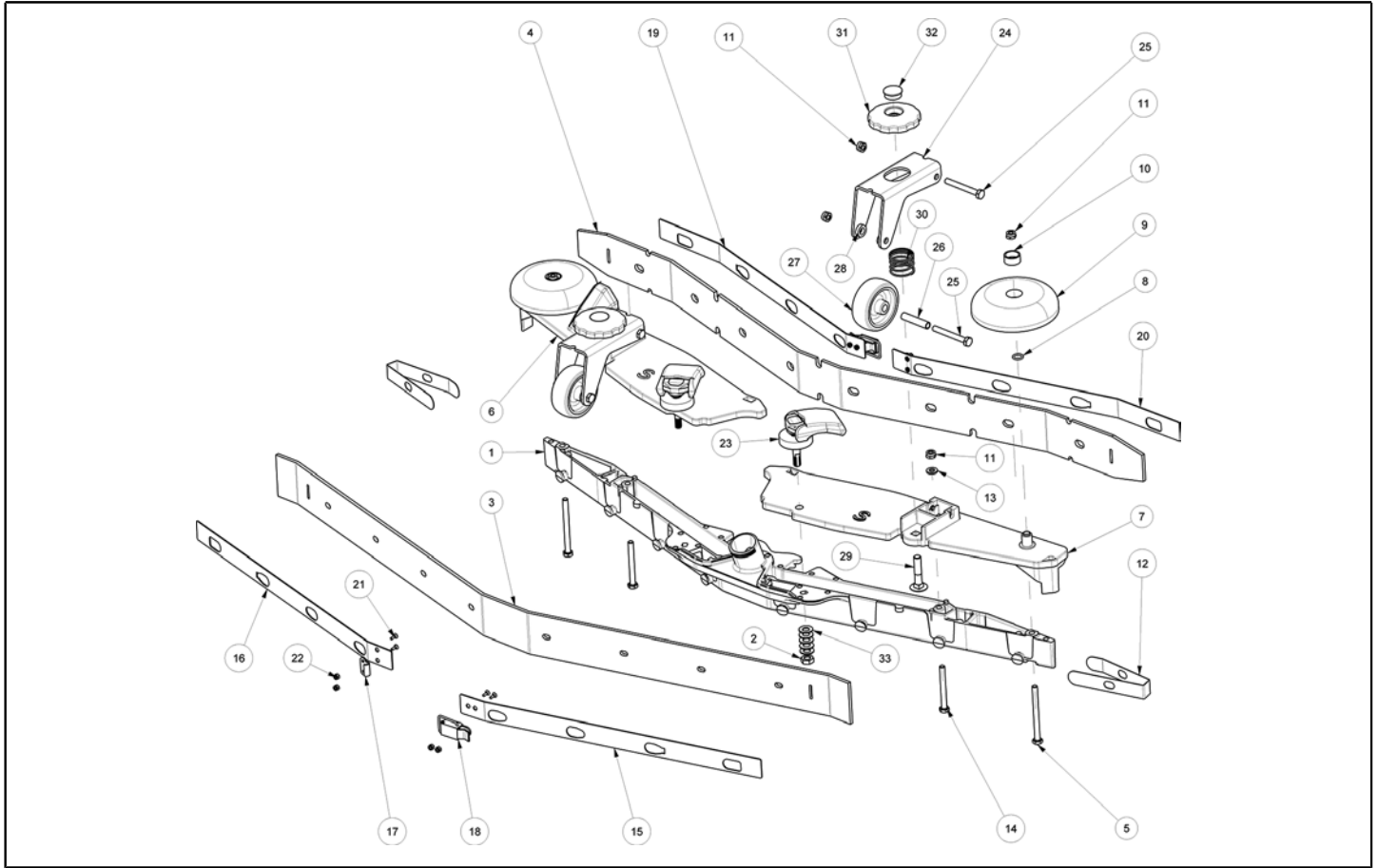




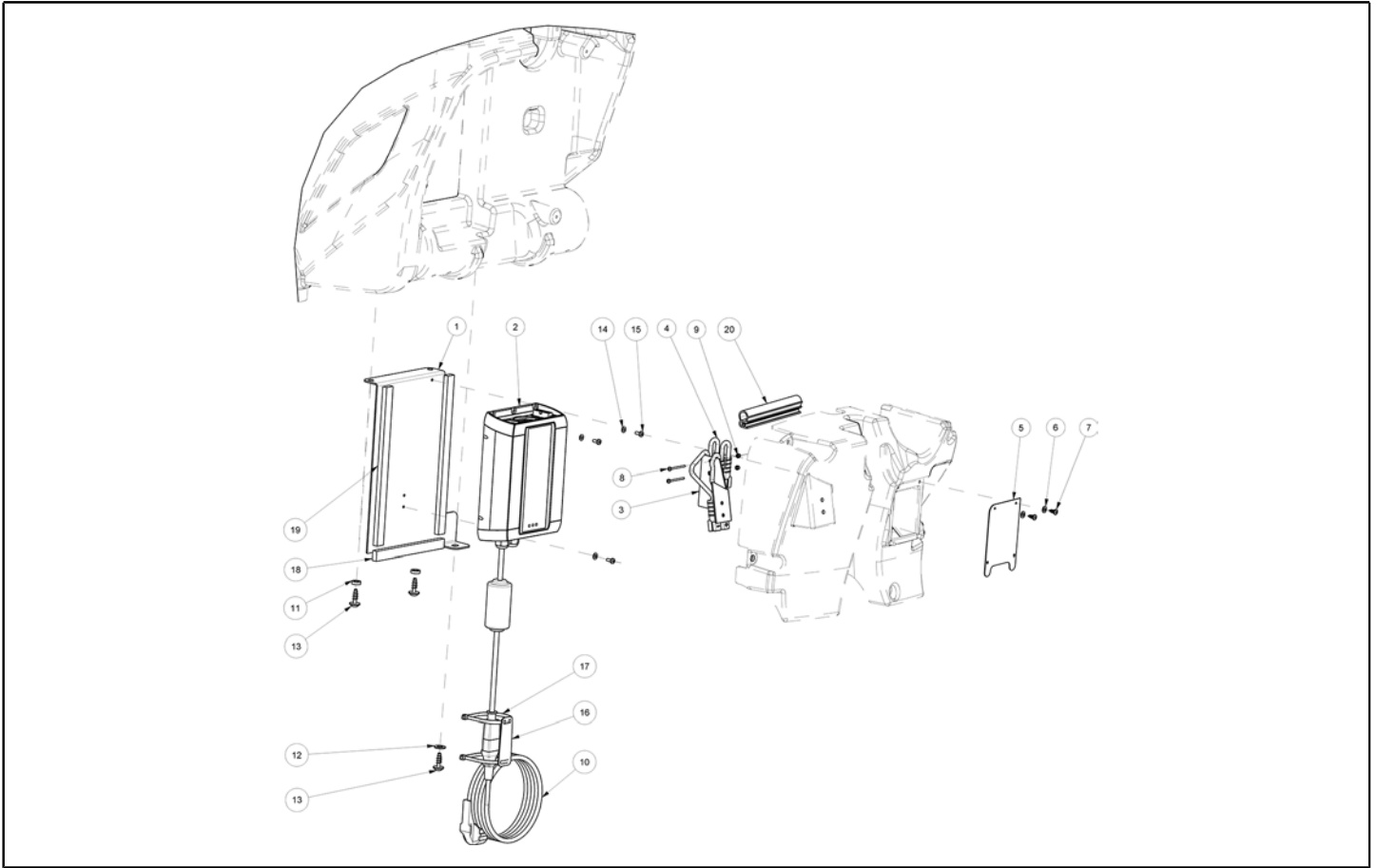
Ref. K	Part N.	Part N. 2	Description	Quantity	Validity		Price
					From	To	
0045	VTRS00017		WASHER STEEL INOX 4X12	2,00			--
0046	VTVT00021	VTVT00021	SCREW TE UNI 5739 3X25 ZB	2,00			--
0047	VTVT00522	N/A	SCREW TCB-TC 2.9X 9.5 UNI6954	1,00			--
0048	VTDD00210	9018496	NUT M 3 AUTOBL.DIN 985 IX.A2	4,00			--
0049	VTVT01072		SCREW STS KN1038 5x16 - T20 A2	4,00			--
0050	MPVR10701	N/A	RUBBER KEY HOLD CT51	1,00			--
0051	VTVT48694	VTVT48694	SCREW TCB TC 5 X12 UNI 9707 TZ	2,00			--
0052	MEVR02097	897514	CARD, SD	1,00			--
0053	MECB01981	N/A	WIRING BRIDGE CT51 W/O CHARGER	1,00			--
0054	MPVR11496	N/A	CORD -	1,00			--
0055	MECB02017	N/A	WIRING	1,00			--
0056	VTDD01693	VTDD01693	NUT, M5, INOX	8,00			--
0057	VTRS00570	N/A	WASHER -	5,00			--
0058	VTVT01669	VTVT01669	SCREW M4x6 UNI5739 znt cl.4.8	2,00			--
0059	MEVR02907	N/A	FUSE-HOLDER -	1,00			--
0060	MEVR00604	N/A	FUSE	1,00			--
0061	VTVT00814	897155	SCREW, TE, M.4X25	1,00	07/06/2021		--
0062	MPVR13118	N/A	SPACER 4.2X8mm H=12mm	1,00	07/06/2021		--
0063	MECE00877	N/A	BOARD	1,00	07/06/2021		--
0064	VTDD00055	897276	NUT M 4 ATB A2	1,00	07/06/2021		--
0065	MEVR02659	N/A	SHEATH	1,00	07/06/2021		--
0066	FSVR00049	N/A	CLAMP 4,5x200 black	2,00	07/06/2021		--
0067	ETET17157	N/A	LABEL .	1,00	07/06/2021		--



Ref. K	Part N.	Part N. 2	Description	Quantity	Validity		Price
					From	To	
0001	MPVR12965	N/A	TANK T291	1,00			--
0002	MPVR12966	N/A	COVERING T51	1,00			--
0003	VTVT01430	N/A	SCREW STS KN1038 8x22 - T40 A2	4,00			--
0004	ETET17069	N/A	LABEL TENNANT	1,00			--
0005	ETET17082	N/A	LABEL T291	2,00			--
0006	ETET17084	N/A	LABEL FILTER T291-T391	1,00			--



Ref. K	Part N.	Part N. 2	Description	Quantity	Validity		Price
					From	To	
0001	MFVR00319	N/A	FRAME SQUEEGEE S-SIZE	1,00			--
0002	VTDD00530	N/A	NUT M8 UNI 5589	2,00			--
0003	MPVR06544	9017702	BLADE, SQGE, REAR, 900L, LINATEX	1,00			--
0004	MPVR06543	9017699	BLADE, SQGE, FRONT, 880L, LINATEX	1,00			--
0005	VTVT00699	N/A	SCREW TE M. 6-70	2,00			--
0006	MPVR06491	N/A	PLATE -	1,00			--
0007	MPVR06492	N/A	PLATE -	1,00			--
0008	GUGO00164	897102	O-RING, 13,00 Od X 10,00 Id	2,00			--
0009	MPVR05290	897101	WHEEL, BMPR, 98,5d X 21,5W	2,00			--
0010	MPVR49229	897100	SLEEVE, NYLON, 0,314b 0,72d 0,35l	2,00			--
0011	VTDD01694	897138	NUT M6 INOX	8,00			--
0012	MPVR05897	897116	CLOSURE S	2,00			--
0013	VTRS00245	897106	WASHER D.6 UNI 6592 INOX	2,00			--
0014	VTVT00655	897422	SCREW, TE, M.6X55	2,00			--
0015	LAFN09281	9018493	STRAP, SQGE	1,00			--
0016	LAFN09283	9018494	STRAP, SQGE	1,00			--
0017	LAFN09301	9018495	HOOK, STRAP, SQGE	2,00			--
0018	LAFN09302	9018492	LATCH, STRAP, SQGE	2,00			--
0019	LAFN09280	897561	STRAP, SQGE, S, REAR, RH	1,00			--
0020	LAFN09279	897110	BLADE HOLDER S SIZE ANT. RIGHT	1,00			--
0021	VTVT01070	9018497	BOLT, STRAP, SQGE	8,00			--
0022	VTDD00210	9018496	NUT M 3 AUTOBL.DIN 985 IX.A2	8,00			--
0023	PMVR06995	N/A	HOOING SQUEEGEE CT51-71	2,00			--
0024	LAFN09471	N/A	SUPPORT CASTOR WHEEL NEW	2,00			--
0025	VTVT15515	897115	SCREW, M6X55, SS	4,00			--
0026	LAFN07534	N/A	SPACER 6x8 h37,5	2,00			--
0027	RTRT00398	9018501	WHEEL, 59,2D 22W 8,4B, GRAY	2,00			--
0028	VTRS00383	N/A	WASHER -	4,00			--
0029	VTVT01304		SCREW 8X 40	2,00			--
0030	MLML00473	N/A	SPRING -	2,00			--
0031	KTRI05357	N/A	HANDLE ADJUSTMENT KNOB KIT T291-	2,00			--
0032	KTRI05357	N/A	HANDLE ADJUSTMENT KNOB KIT T291-	2,00			--
0033	MLML00493	N/A	DISC SPRINGS 16x8,2x0,9 DIN 2093	10,00	14/12/2017		--



Ref. K	Part N.	Part N. 2	Description	Quantity	Validity		Price
					From	To	
0001	LAFN08235	N/A	PLATE -	1,00			--
0002	BACA00190	N/A	BATTERY-CHARGER CBHD1-XR 24-15	1,00			--
0003	LAFN11046	N/A	BRACKET -	1,00			--
0004	MECB01964	N/A	WIRING CONNECTION CHARGER/BATT.	1,00			--
0005	MPVR10745	N/A	PROTECTION TRANSPARENT POWER CORD	1,00			--
0006	VTRS00516	897166	WASHER, D. 5, INOX	2,00			--
0007	VTVT48694	VTVT48694	SCREW TCB TC 5 X12 UNI 9707 TZ	2,00			--
0008	VTVT00691	N/A		2,00			--
0009	VTDD00210	9018496	NUT M 3 AUTOBL.DIN 985 IX.A2	2,00			--
0010	MECB02065	MECB02065	CORD, POWER, CHRGR [S7 ANZ]	1,00			--
0011	VTRS00383	N/A	WASHER -	2,00			--
0012	VTRS13947	897152	WASHER, D.8, UNI6592, INOX	1,00			--
0013	VTVT01430	N/A	SCREW STS KN1038 8x22 - T40 A2	3,00			--
0014	VTRS00515	897156	WASHER D. 4 INX	3,00			--
0015	VTVT21887	897313	SCREW, TCB, TC, M4X10	3,00			--
0016	MPVR11197	N/A	PLATE POWER CORD HOLDER	1,00			--
0017	FSVR00049	N/A	CLAMP 4.5x200 black	2,00			--
0018	GUGO00589	N/A	GASKET CT51	1,00			--
0019	GUGO00590	N/A	GASKET CT51	2,00			--
0020	GUVR00010	GUVR00010	GASKET	0,12	27/11/2018		--

## RECOMMENDED SPARE PARTS

<b>T291</b>	
Part Number	Description
	<b>T291 50cm</b>
9017699	BLADE, SQGE, FRONT, 880L, LINATEX [STANDARD]
9017702	BLADE, SQGE, REAR, 900L, LINATEX [STANDARD]
9017695	BLADE, SQGE, FRONT, 880L, LATEX
9017694	BLADE, SQGE, REAR, 900L, LATEX
9017696	BLADE, SQGE, FRONT, 880L, PYU
9017698	BLADE, SQGE, REAR, 900L, PYU
SPPV01332	BRUSH ASSY, DISK, SCRIB, 50CM, PYP
SPPV01495	BRUSH ASSY, DISK, SCB, 50CM, MIX FBR, SOFT
SPPV01335	DRIVER ASSY, PAD, 50CM, 3-LUG
L-1074742	LOCAL PAD SCB 20" GREEN [QTY 5]
L-17262	PAD, SCB, 20.0D, BLU
L-17261	PAD, BUFF, 20.0D, RED
L-17260	PAD, POLISH, 20.0D, WHITE
L-63248-6	PAD, BUFF 20.0D, PUR
L-GF12105V	BATTERY, GEL, 12VDC 105AH [GEL]
897346	WHEEL D.200 [TRACTION MODEL]
MECE00810	BOARD, DISPLAY [TRACTION MODEL]
MECE00786	BOARD, PCB [TRACTION MODEL]
MOCC00465	TRANSAXLE, MOTOR ASSY [TRACTION MODEL]
9017743	BRUSH KIT, MOTOR, TRANSAXLE [2 PC]
MOCC00449	MOTOR, BRUSH [T291]
MEVR02923	BRUSH KIT, CARBON, BRUSH MOTOR [4 PC]
9017716	FAN, MOTOR
9017687	BRUSH, CARBON, VAC FAN MOTOR
GUGO00509	GASKET VACUUM MOTOR
9017712	HOSE ASSY, RECOVERY
FTDP00678	FILTER, VACUUM MOTOR
MTCR00107	CHAIN, SQUEEGEE, LIFT
TBFX01069	HOSE, DRAIN, RECOVERY TANK
9017718	VALVE, WATER, SOLENOID, 24VDC
MPVR13036	HANDLE SQUEEGEE LIFTING
9017788	CASTER, SWIVEL, PU, 80MM X 25MM
9018501	WHEEL, SQUEEGEE
MPVR01097	HOOK, DRAIN HOSE
PMVR06995	KNOB, SQUEEGEE
MPVR12967	LEVER CLOSURE LID
MPVR10565	FILTER SOLUTION TANK
MECI00592	SENSOR, SOLUTION TANK
MECI00662	SENSOR LEVEL, RECOVERY TANK
9018332	FUSE, 50A
897301	FUSE 30A OMEGA FT3030
KTRI06373	Chem Dose Kit (OPTION)
KTRI04848	Tools Bar (OPTION)
MECB02065	CORD, POWER, CHARGER [ANZ]
MEVR02642	KEY, ELECTRONIC, W/RFID [TRACTION MODEL]