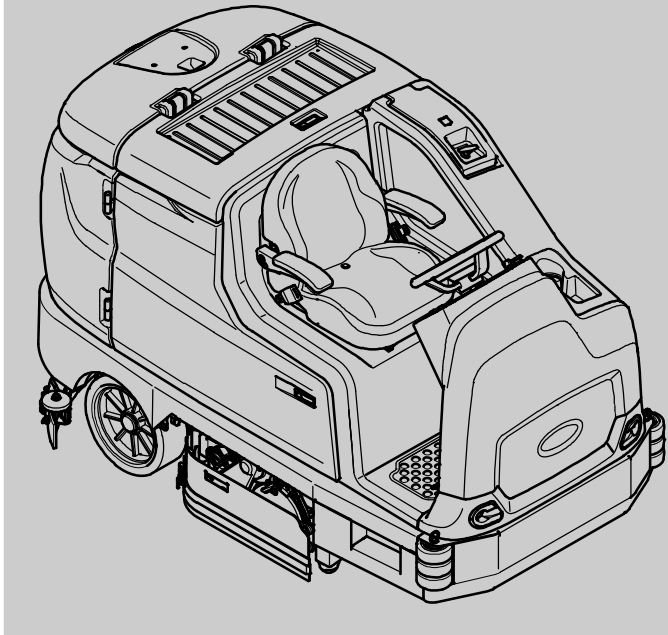
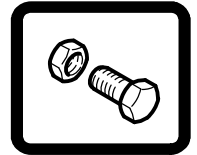




T17

(Battery)

Rider Scrubber Parts Manual



ES[®] Extended Scrub System
Tennant True[®] Parts
IRIS[®] a Tennant Technology
Insta-Fit[™] Adapter



North America / International

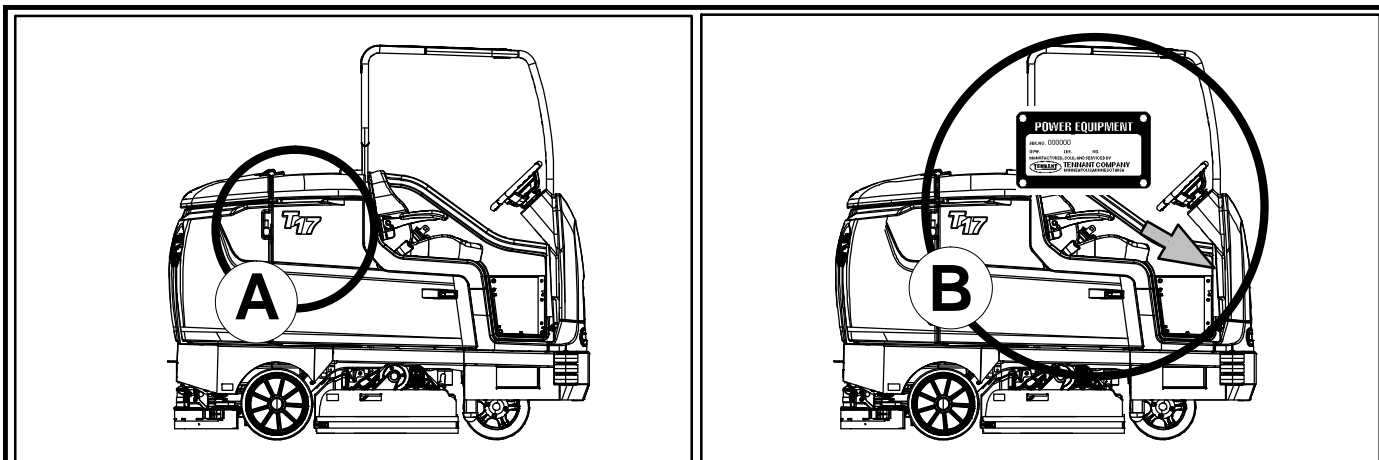


For latest Parts manual or other
Operator language manual, visit:

www.tennantco.com/manuals

9020166
Rev. 12 (10-2021)





Ref	Part No.	Serial Number	Description	Qty.
	82681	(000000—)	Bracket Wldt, Lpg Mount	1
	63810	(000000—)	Latch Assy, Lpg Tank Mtg, W/Nut	4
	51839	(000000—)	Nut Adjustable, Lpg Tank Mtg	2
	49263	(000000—)	Tie, Cable	3
	82556	(000000—001039)	Bracket, Vaporizer	1
6	54930	(000000—)	Vaporizer, LPG	1

HOW TO ORDER PARTS – See diagram above

Only use TENNANT Company supplied or equivalent parts. Parts and supplies may be ordered online, by phone, by fax or by mail.

Follow the steps below to ensure prompt delivery.

1. **(A)** Identify the machine model.
2. **(B)** Identify the machine serial number from the data plate.
3. **(C)** Ensure the proper serial number is used from the parts list.
4. Identify the part number and quantity.
Do not order by page or reference numbers.
5. Provide your name, company name, customer ID number, billing and shipping address, phone number and purchase order number.
6. Provide detail shipping instructions.

(D) ▽ – Identifies an assembly
▲ – Identifies parts included in assembly

Please fill out at time of installation for future reference.

Model No. – _____

Serial No. – _____

Machine Options – _____

Sales Rep. – _____

Sales Rep. phone no. – _____

Customer ID Number – _____

Installation Date – _____

Tennant Company
 10400 Clean Street
 Eden Prairie, MN 55377-2650
 Phone: (800) 553-8033
 www.tennantco.com

CN	<p>如何订购部件 - 参见下表 仅使用 TENNANT 公司提供的或同等部件。部件和供应可以在线订购，通过电话、传真或邮件订购。 请遵循下面的步骤确保及时交付。</p> <ol style="list-style-type: none"> 1. (A) 确定机器型号。 2. (B) 从数据标签确定机器序列号。 3. (C) 确保使用部件列表中的正确序列号。 4. 确定部件号和数量。 不要按页面或参考编号订购。 5. 提供您的姓名、公司名称、客户 ID 号、付帐和送货地址、 电话号码和采购单编号。 6. 提供详细的送货说明。 <hr/> <p>(D) ▽ - 确定组件 ▲ - 确定组件中包含的组件</p>	<p>请在安装时填写供未来参考。</p> <p>型号 - _____</p> <p>序列号 - _____</p> <p>机器选项 - _____</p> <p>销售代表 - _____</p> <p>销售代表电话号码 - _____</p> <p>客户 ID 编号 - _____</p> <p>安装日期 - _____</p>
-----------	--	--

ES	<p>CÓMO SOLICITAR PIEZAS - Consulte el diagrama anterior.</p> <p>Utilice sólo las piezas suministradas por TENNANT Company o piezas equivalentes. Puede solicitar las piezas a través de internet, por teléfono, por fax o por correo.</p> <p>Siga los siguientes pasos para que la entrega sea rápida.</p> <ol style="list-style-type: none"> 1. (A) Indique el modelo de máquina. 2. (B) Indique el número de serie de la etiqueta de datos. 3. (C) Asegúrese de que indica el número de serie correcto de la lista de piezas. 4. Indique la cantidad y el número de la pieza. No realice el pedido indicando el número de página o el de referencia. 5. Incluya su nombre, el nombre de la empresa, el ID de cliente, las direcciones de envío y facturación, el número de teléfono y el número del pedido de compra. 6. Facilite instrucciones de envío. <hr/> <p>(D) ▽ - identifica un conjunto ▲ - identifica piezas de un conjunto</p>	<p>Rellene estos datos cuando realice la instalación para utilizarlos como referencia en el futuro.</p> <p>Nº modelo - _____</p> <p>Nº serie - _____</p> <p>Opciones de la máquina - _____</p> <p>Vendedor - _____</p> <p>Nº teléfono vendedor - _____</p> <p>Nº cliente - _____</p> <p>Fecha de instalación - _____</p>
-----------	---	---

FR	<p>COMMENT COMMANDER DES PIÈCES DÉTACHÉES - Voir le schéma ci-dessus.</p> <p>Utilisez uniquement des pièces fournies par la société TENNANT ou équivalentes. Les pièces et fournitures peuvent être commandées en ligne, par téléphone, fax, ou par courrier.</p> <p>Suivez les étapes ci-dessous pour assurer une livraison rapide.</p> <ol style="list-style-type: none"> 1. (A) Identifiez le modèle de la machine. 2. (B) Identifiez le numéro de série de la machine, à partir de l'étiquette signalétique. 3. (C) Assurez-vous que le numéro de série correct est utilisé à partir de la liste de pièces détachées. 4. Identifiez le numéro de pièce et la quantité. Ne commandez pas par page ou numéros de référence. 5. Fournissez votre nom, le nom de votre société, votre numéro d'identification de client, l'adresse de facturation et d'expédition, le numéro de téléphone et le numéro du bon de commande. 6. Fournissez des instructions d'expédition détaillées. <hr/> <p>(D) ▽ - identifie un assemblage ▲ - identifie les pièces composant l'assemblage</p>	<p>A remplir au moment de l'installation à titre de référence.</p> <p>Nº du modèle - _____</p> <p>Nº de série - _____</p> <p>Options de la machine - _____</p> <p>Agent commercial - _____</p> <p>Nº tél. de l'agent commercial - _____</p> <p>Numéro d'identification client - _____</p> <p>Date d'installation - _____</p>
-----------	---	---

JP	<p>パーツの発注方法 ? 上記の図を参照してください TENNANT社製のパーツまたは同等品のみをお使いください。 パーツやサプライ品のご注文は、オンライン、電話、FAX、または手紙でお願いいたします。 確実にお届けできるように、以下の情報お知らせください。</p> <ol style="list-style-type: none"> 1. (A) 製品のモデル名をお知らせください。 2. (B) 製品のデータラベルに印刷されているシリアル番号 をお知らせください。 3. (C) パーツリストを参照して、シリアル番号が正しいかご確認 ください。 4. パーツ番号と数量をお知らせください。マニュアル/カタログの ページ番号や参照番号でのご注文はご遠慮ください。 5. お客様のお名前、会社名、顧客ID番号、請求/発送先住所、 電話番号、注文書番号をお知らせください。 6. 発送に関するご希望があれば、明記してください。 <hr/> <p>(D) ▽ - アセンブリを示します ▲ - アセンブリに含まれるパーツを示します</p>	<p>後日確認できるように、設置時に記入してください。</p> <p>モデルNo. - _____</p> <p>シリアルNo. - _____</p> <p>製品のオプション - _____</p> <p>販売代理店 - _____</p> <p>販売代理店の電話番号 - _____</p> <p>顧客ID番号 - _____</p> <p>設置日 - _____</p>
-----------	--	---

GENERAL RECOMMENDED MAINTENANCE

NA

General Recommended Maintenance Items

Ref.	Part No.	Serial Number	Description	Qty.
▽	9020270	(000000-) Service Kit [T17]	1
▲	1207086	(000000-) Blade, Front Squeegee 56.6l (Linard)	1
▲	1207087	(000000-) Blade, Rear Squeegee 60.6l (Linatex)	1
▲	1213211	(000000-) Blade, Sqge, Side, Linatex	2
▲	1037822	(000000-) Filter, Panl, Dust, 2.0 X 06.1 X 07.6	1
▲	1206370	(000000-) Hose Assy, Drain, 3.0 Id 35 L	1
▲	1207661	(000000-) Hose Assy, Rear Squeegee	1
▲	9020233	(000000-) Caster Assy, Sq, Rear, Afmkt [T17]	2
▽	9020271	(000000-) Squeegee Kit, Rear_Side, Linatex [T17]	1
▲	1207086	(000000-) Blade, Front Squeegee 56.6l (Linard)	1
▲	1207087	(000000-) Blade, Rear Squeegee 60.6l (Linatex)	1
▲	1213211	(000000-) Blade, Sqge, Side, Linatex	2
▽	9020272	(000000-) Squeegee Kit, Rear_Side, Urethane [T17]	1
▲	1208356	(000000-) Blade, Front Squeegee 56.6l (Urethane)	1
▲	1208357	(000000-) Blade, Rear Squeegee 60.6l (Urethane)	1
▲	1213266	(000000-) Blade, Sqge, Side, Ure	2
	1067452	(000000-) Bag, Vacuum, Paper [1pick=1pkg(=10pc)]	1
	16411	(000000-) Off Whites/G Acrylic12.8oz[Acm101-00171]	1
	16412	(000000-) Teal Blue S/G Enamel12.8oz[lcm101-70266]	1
	377540	(000000-) Paint, Airdry, Blk, 12oz	1
	377538	(000000-) Paint, Airdry, Gray, 12oz [Enamel]	1
	377537	(000000-) Iron Gray S/G Enamel12.8oz[lcm101-00517]	1
	361144	(000000-) Key, Ignition, Sgl	1
▽	9020237	(000000-) Belt, Kit, Cyl, Afmkt [T17]	2
▲	1204640	(000000-) Belt, Drive	1
▲	1212849	(000000-) Tool, Installation, Belt	1
▲	9020747*	(000000-) Oil Kit, Drive, Afmkt [M17]	1

* Requires Tennant *True* service or an authorized Tennant service provider.

SECTION 2

Contents	Page
Fig. 1 – Replacement Brushes, Scrub Head	2-2
Fig. 2 – Replacement Brushes, Side Brush and Pre-Sweep	2-4
Fig. 3 – Main Frame Group	2-6
Fig. 4 – Front Covers Group	2-8
Fig. 5 – Steering Group	2-10
Fig. 6 – Brake and Directional Pedals Group . . .	2-14
Fig. 7 – Instrument Panel Group	2-16
Fig. 8 – Seat Group	2-18
Fig. 9 – Deluxe Seat Kit	2-20
Fig. 10 – Drive Wheel Group (000000–010999) .	2-22
Fig. 11 – Drive Wheel Group (011000–) ..	2-24
Fig. 12 – Drive Wheel Electrical Group (000000–010999)	2-26
Fig. 13 – Drive Wheel Electrical Group (011000–)	2-28
Fig. 14 – Rear Wheels and Brake Group	2-30
Fig. 15 – Scrub Head Lift Group	2-32
Fig. 16 – Scrub Head and Drive Motor Group, Disk	2-34
Fig. 17 – Scrub Head Frame Group, Cylindrical	2-36
Fig. 18 – Scrub Head Drive Motors Group, Cylindrical	2-38
Fig. 19 – Scrub Head Side Squeegee Group, Right Hand	2-40
Fig. 20 – Scrub Head Side Squeegee Group, Left Hand	2-42
Fig. 21 – Solution Tank Group	2-44
Fig. 22 – Solution Supply Group	2-46
Fig. 23 – Recovery Tank Group	2-48
Fig. 24 – Tank Drains Group	2-50
Fig. 25 – Vacuum Fans and Rear Side Door Group	2-52
Fig. 26 – Rear Squeegee Lift Group	2-54
Fig. 27 – Rear Squeegee Linkage Group	2-56
Fig. 28 – Rear Squeegee Group	2-58
Fig. 29 – Right Hand Door and Battery Cover Group	2-60
Fig. 30 – Electrical Box Group	2-62
Fig. 31 – Electrical Box Wires Group	2-64
Fig. 32 – Electrical Schematic (000000–010999)	2-66
Fig. 33 – Electrical Schematic (011000–012999)	2-72
Fig. 34 – Electrical Schematic (013000–013999)	2-78
Fig. 35 – Electrical Schematic (014000–)	2-86
Fig. 36 – Wire Harnesses Group	2-95
Fig. 37 – Label Group	2-103

Fig. 1 – Replacement Brushes, Scrub Head

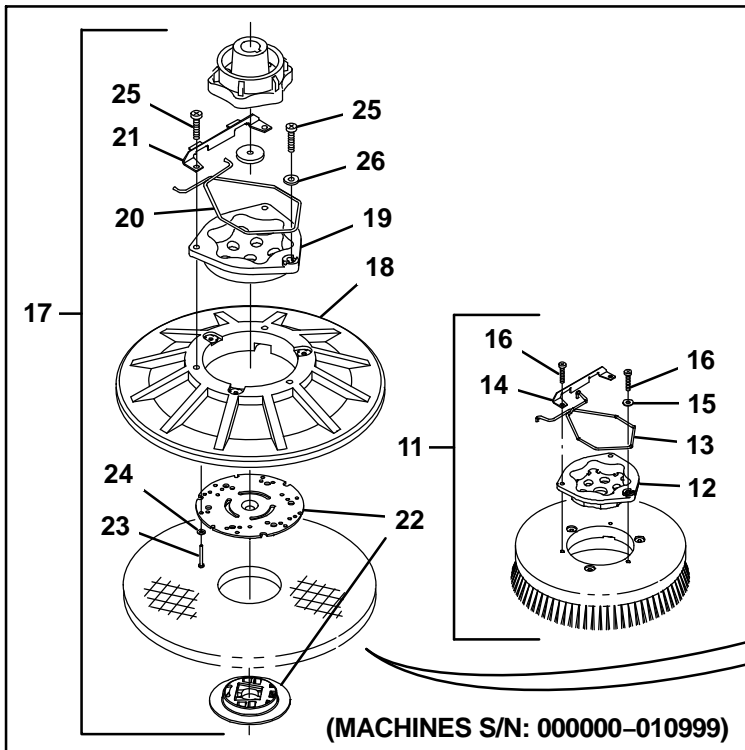
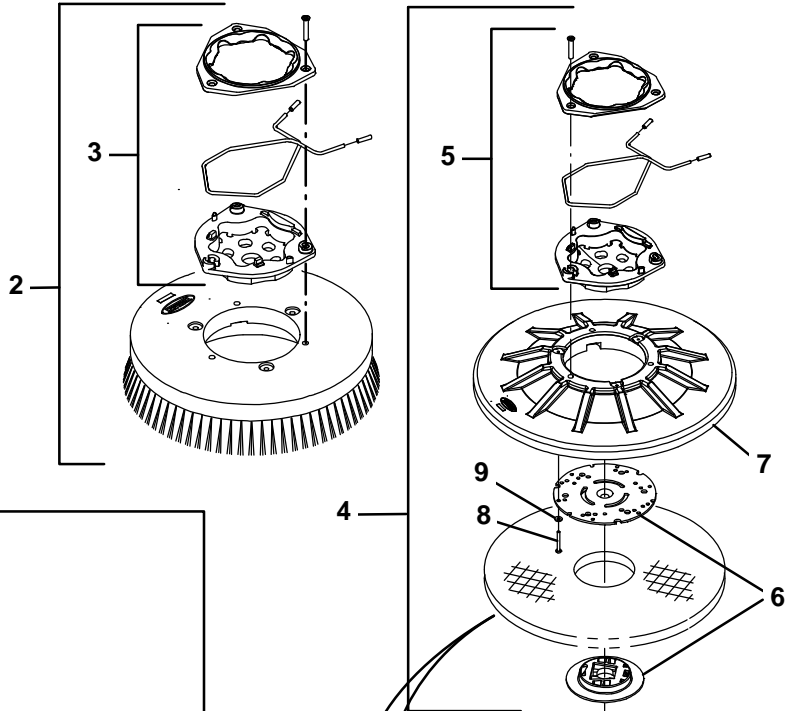
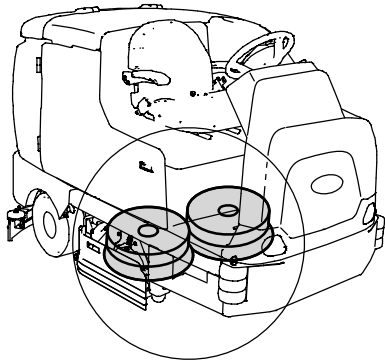
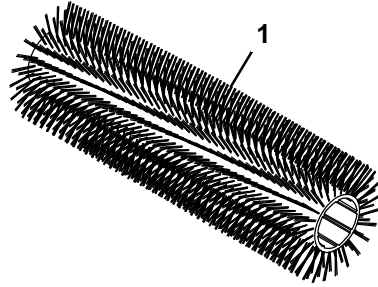
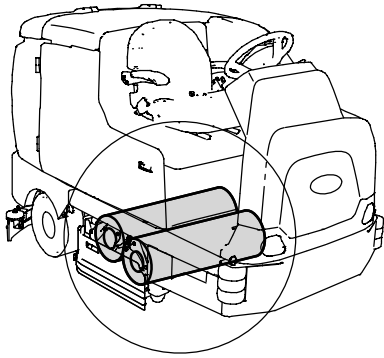


Fig. 1 – Replacement Brushes, Scrub Head

Ref.	Part No.	Serial Number	Description	Qty.
	1	386230	(000000–) Brush, Scrub, 39l, 20sr, Polypropylene, Spiral	2
	1	386240	(000000–) Brush, Scrub, 39l, 20sr, Super Abrasive, Spiral	2
	1	386250	(000000–) Brush, Scrub, 39l, 20sr, Nylon, Spiral	2
▽	2	1220193	(011000–) Brush Assy, Disk, Scb, 20.0d, Nylon	2
▲	3	9014666	(011000–) Brush Kit, Hub Assy, Drive, Ci [Uhmw]	1
▽	2	1220192	(011000–) Brush Assy, Disk, Scb, 20.0d, Polypropylene	2
▲	3	9014666	(011000–) Brush Kit, Hub Assy, Drive, Ci [Uhmw]	1
▽	2	1220194	(011000–) Brush Assy, Disk, Scb, 20.0d, Super Abrasive	2
▲	3	9014666	(011000–) Brush Kit, Hub Assy, Drive, Ci [Uhmw]	1
▽	4	1220201	(011000–) Driver Assy, Pad, 20.0d	2
▲	5	9014666	(011000–) Brush Kit, Hub Assy, Drive, Ci [Uhmw]	1
▲	6	370095	(011000–) Device, Centering, Clip On, TI [Gf Pp]	1
▲	7	397980	(011000–) Disk, Driver, Pad, W/ Face, 20.0d	1
▲	8	09198	(011000–) Screw, Pan, Phl, M4 X 0.70 X 35, Ss	3
▲	9	41579	(011000–) Washer, Flat, 08, Ss	3
	10	17260	(000000–) Pad, Polish, 20.0d, White [1 Pick = 1 Pad]	2
	10	17261	(000000–) Pad, Buff, 20.0d, Red [1 Pick = 1 Pad]	2
	10	17262	(000000–) Pad, Scrub, 20.0d, Blue [1 Pick = 1 Pad]	2
	10	17263	(000000–) Pad, Stripping, 20.0d, Brown [1 Pick = 1 Pad]	2
	10	370094	(000000–) Pad, Stripping, 20.0D, Black [High Prod][1 Pick = 1 Pad]	2
	10	1051030	(000000–) Pad, Surf Prep, 20.0D Maroon, [1Pick=1Pad]	2
▽	11	14967	(000000–010999) Brush Assy, Disk, Scrub, 20.0 D, Nylon	2
▲	12	15539	(000000–010999) Adaptor, Brush	1
▲	13	14838	(000000–010999) Spring, Wir, 0.16d, Brush Retaining	1
▲	14	24299	(000000–010999) Bracket, Retainer, Spring	1
▲	15	01684	(000000–010999) Washer, Flt, .25 Ss	1
▲	16	32746	(000000–010999) Screw, Pan, M06 X 1.0 X 35, Ss	3
▽	11	14953	(000000–010999) Brush Assy, Disk, Scrub, 20.0 D, Polypropylene	2
▲	12	15539	(000000–010999) Adaptor, Brush	1
▲	13	14838	(000000–010999) Spring, Wir, 0.16d, Brush Retaining	1
▲	14	24299	(000000–010999) Bracket, Retainer, Spring	1
▲	15	01684	(000000–010999) Washer, Flt, .25 Ss	1
▲	16	32746	(000000–010999) Screw, Pan, M06 X 1.0 X 35, Ss	3
▽	11	378951	(000000–010999) Brush Assy, Disk, Scrub, 20.0 D, Super Abrasive	2
▲	12	15539	(000000–010999) Adaptor, Brush	1
▲	13	14838	(000000–010999) Spring, Wir, 0.16d, Brush Retaining	1
▲	14	24299	(000000–010999) Bracket, Retainer, Spring	1
▲	15	01684	(000000–010999) Washer, Flt, .25 Ss	1
▲	16	32746	(000000–010999) Screw, Pan, M06 X 1.0 X 35, Ss	3
▽	17	397920	(000000–010999) Driver Assy, Pad, 20.0D	2
▲	18	370080	(000000–010999) Disk, Pad Drive, W/ Face, 20d	1
▲	19	15539	(000000–010999) Adaptor, Brush	1
▲	20	14838	(000000–010999) Spring, Wir, 0.16d, Brush Retaining	1
▲	21	24299	(000000–010999) Bracket, Retainer, Spring	1
▲	22	370090	(000000–010999) Device, Centering	1
▲	23	09198	(000000–010999) Screw, Pan, M04 X 0.7 X 35, Ss	3
▲	24	41579	(000000–010999) Washer, Flt, #08 Ss	3
▲	25	32746	(000000–010999) Screw, Pan, M06 X 1.0 X 35, Ss	3
▲	26	01684	(000000–010999) Washer, Flt, .25 Ss	1

STANDARD PARTS

Fig. 2 – Replacement Brushes, Side Brush and Pre-Sweep

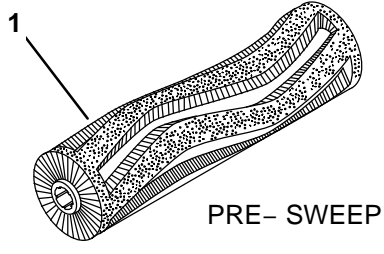
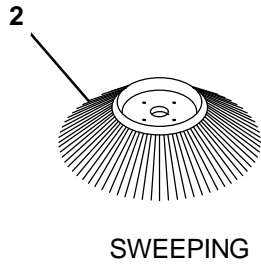
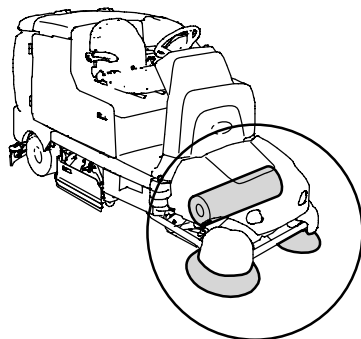
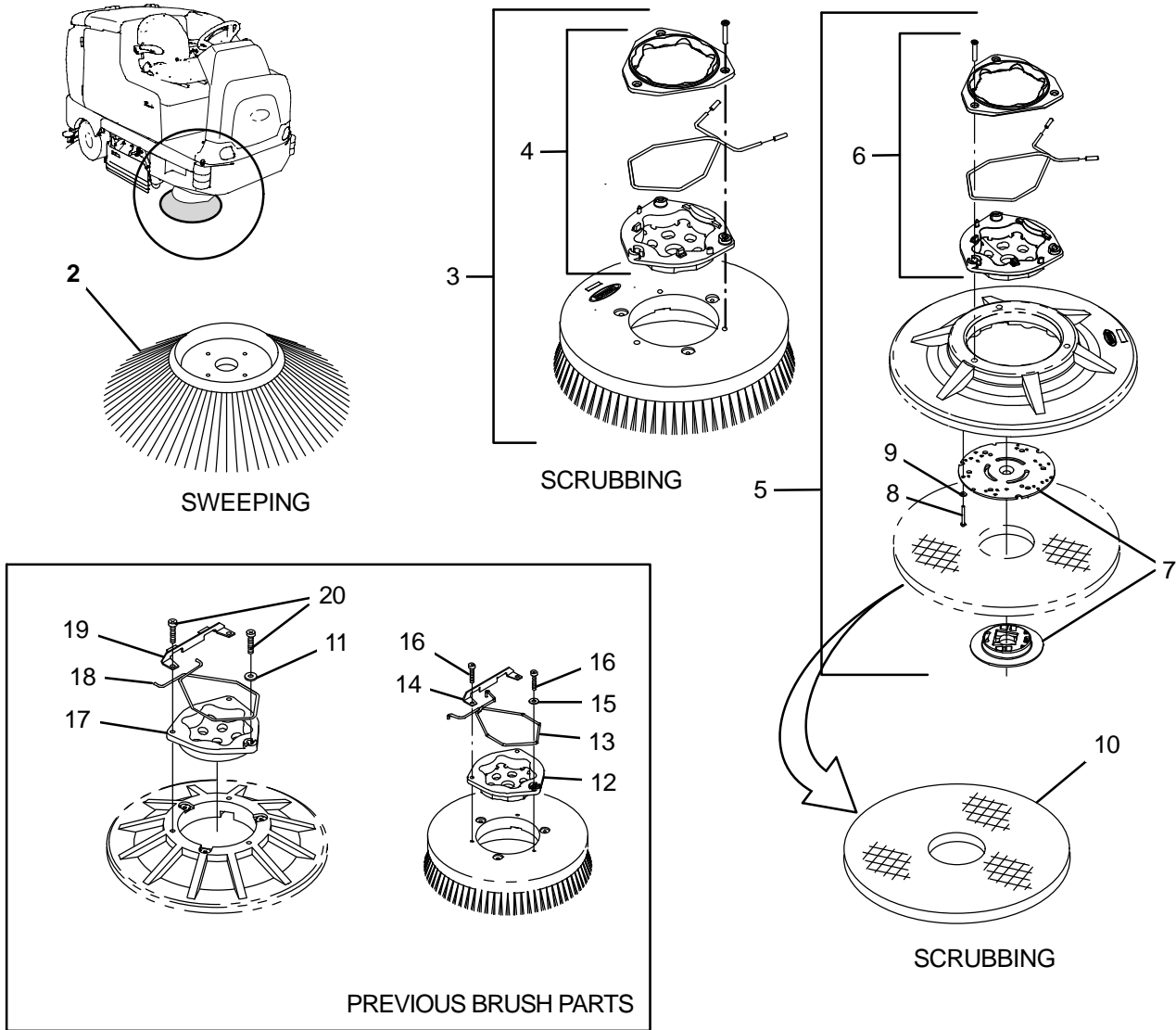


Fig. 2 – Replacement Brushes, Side Brush and Pre-Sweep

Ref.	Part No.	Serial Number	Description	Qty.
	1	1211934	(000000–) Brush, Sweep, 28L, Wedge, Polypropylene, Spiral	1
	2	87419	(000000–) Brush, Disk, Sweep, 19.0D, Polypropylene	2
▽	3	1221543	(000000–) Brush Assy, Disk, Scb, 16.0d, Super Abrasive	1
▲	4	9014662	(000000–) Brush Kit, Hub Assy, Drive, Ci [Hdpe In]	1
▽	3	1220235	(000000–) Brush Assy, Disk, Scb, 16.0d, Nylon	1
▲	4	9014662	(000000–) Brush Kit, Hub Assy, Drive, Ci [Hdpe In]	1
▽	3	1220241	(000000–) Brush Assy, Disk, Scb, 16.0d, Polypropylene	1
▲	4	9014662	(000000–) Brush Kit, Hub Assy, Drive, Ci [Hdpe In]	1
▽	3	1220236	(000000–) Brush Assy, Disk, Scb, 16.0d, Heavy Duty Polypropylene	1
▲	4	9014662	(000000–) Brush Kit, Hub Assy, Drive, Ci [Hdpe In]	1
▽	5	1220244	(000000–) Driver Assy, Pad, 16.0d	1
▲	6	9014664	(000000–) Brush Kit, Hub Assy, Drive, Ci [Hdpe]	1
▲	7	370095	(000000–) Device, Centering, Clip On, TI [Gf Pp]	1
▲	8	09198	(000000–) Screw, Pan, Phl, M4 X 0.70 X 35, Ss	3
▲	9	41579	(000000–) Washer, Flat, 08, Ss	3
	10	63248-1	(000000–) Pad, Stripping, 16.0d, Brown [1 Pick = 1 Pad]	1
	10	63248-2	(000000–) Pad, Scrub, 16.0d, Blue [1 Pick = 1 Pad]	1
	10	63248-3	(000000–) Pad, Buff, 16.0d, Red [1 Pick = 1 Pad]	1
	10	63248-4	(000000–) Pad, Polish, 16.0d, White [1 Pick = 1 Pad]	1
	10	370092	(000000–) Pad, Stripping, 16.0d, Black [High Prod] [1 Pick = 1 Pad]	1
	10	1051027	(000000–) Pad, Surf Prep, 16.0d, Maroon [1pick=1pad]	1
	11	01684	(000000–) Washer, Flt, .25 Ss	1
	12	1017368	(000000–) Hub, Drive, Brush, Disk, 3 Hole 5.8Bc	1
	13	14838	(000000–) Spring, Wir, 0.16d, Brush Retaining	1
	14	24299	(000000–) Bracket, Retainer, Spring	1
	15	01684	(000000–) Washer, Flt, .25 Ss	1
	16	32746	(000000–) Screw, Pan, M06 X 1.0 X 35, Ss	3
	17	15539	(000000–) Adaptor, Brush	1
	18	14838	(000000–) Spring, Wir, 0.16d, Brush Retaining	1
	19	24299	(000000–) Bracket, Retainer, Spring	1
	20	32746	(000000–) Screw, Pan, M06 X 1.0 X 35, Ss	3
		1042504	(000000–) Brush Assy, Disk, Scrub, 16.0D, Super Abrasive (Replaced by 1221543)	1
		1042499	(000000–) Brush Assy, Disk, Scrub, 16.0D, Nylon (Replaced by 1220235)	1
		30241	(000000–) Brush Assy, Disk, Scrub, 16.0 D, Polypropylene (Replaced by 1220241)	1
		1042500	(000000–) Brush Assy, Disk, Scrub, 16.0D, Heavy Duty Polypropylene (Replaced by 1220236)	1
		397916	(000000–) Driver Assy, Pad, 16D (Replaced by 1220199)	1

Fig. 3 – Main Frame Group

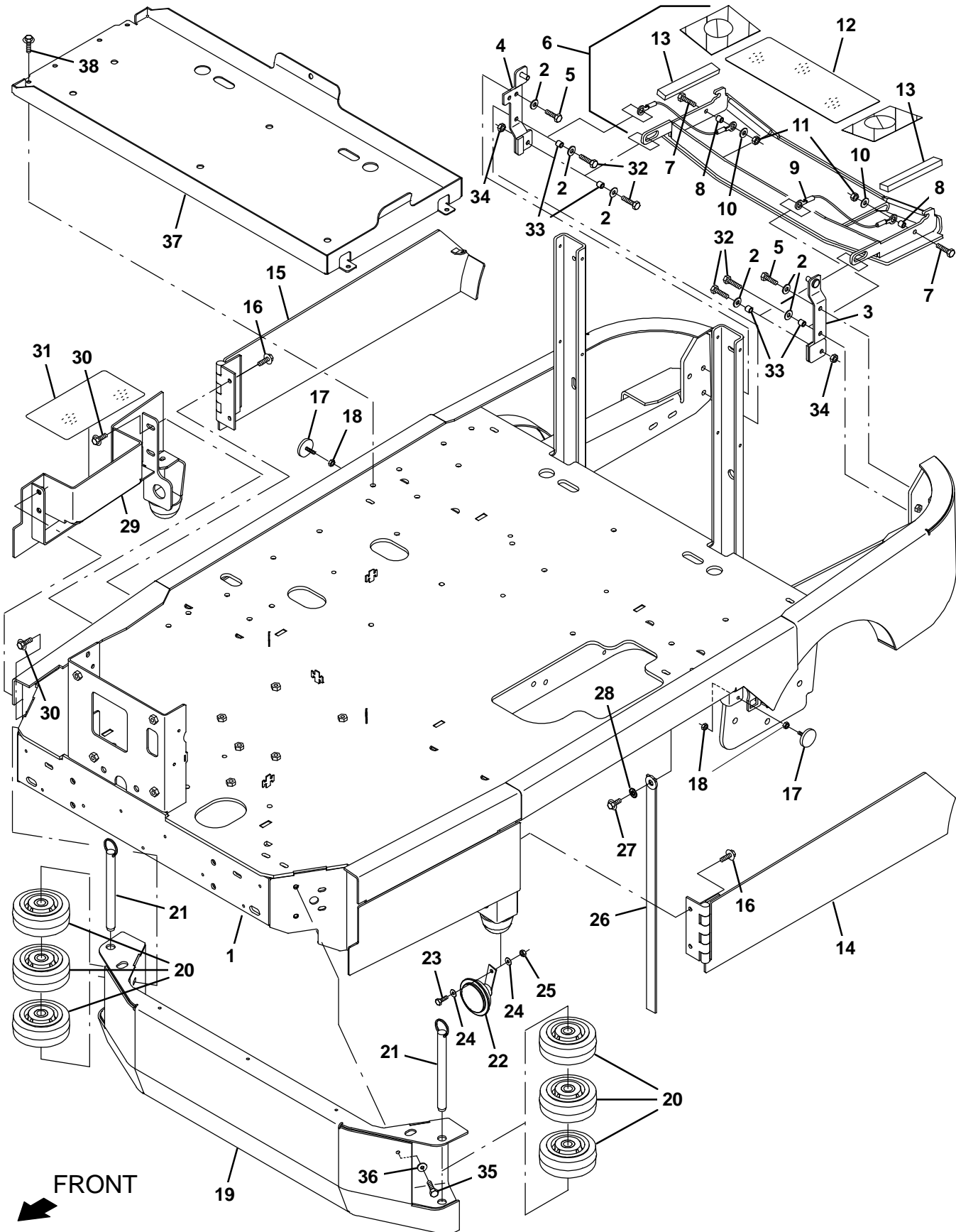


Fig. 3 – Main Frame Group

Ref.	Part No.	Serial Number	Description	Qty.	
1	1205154	(000000–010999)	Frame Wldt, Main [T17]	1	
1	1221285	(011000–012999)	Frame Wldt, Main [T17]	1	
1	1239252	(013000–)	Frame Wldt, Main [T17]	1	
2	01685	(000000–)	Washer, Flat, 0.38b 0.88d .08, Ss	8	
3	1208363	(000000–)	Bracket Wldt, Lh, Mtg, Door	1	
4	1208364	(000000–)	Bracket Wldt, Rh, Mtg, Door	1	
5	09011	(000000–)	Screw, Hex, M8 X 1.25 X 30, Ss	2	
▽	6	9020273	(000000–)	Bumper Kit, Rear, Afmkt [T17]	1
▲	7	09023	(000000–)	Screw, Hex, M8 X 1.25 X 35, Fl, Ss	2
▲	8	222516	(000000–)	Sleeve, P/m 0.32B 0.50D 0.3L [430Ss]	2
▲	9	87172	(000000–)	Cable, Glv .13d 010.0l .52eye /.52eye	2
▲	10	01685	(000000–)	Washer, Flat, 0.38b 0.88d .08, Ss	2
▲	11	08713	(000000–)	Nut, Hex, Lock, M8 X 1.25, NI, Ss	2
▲	12	1210711	(000000–)	Tread, Non–Skid–Step, 5.5w 13.8l	1
▲	13	1212350	(000000–)	Bumper, Strip. 1.0	2
14	1205863	(000000–)	Door Wldt, Brush, Lh	1	
15	1205864	(000000–)	Door Wldt, Brush, Rh	1	
16	1037346	(000000–)	Screw, Hex, M8 X 1.25 X 25, 9.8, Sems	4	
17	1202779	(000000–)	Magnet, Latch, Brush Door	2	
18	19312	(000000–)	Nut, Hex, Std, .25–20	4	
19	1205257	(000000–)	Channel Wldt, Bumper	1	
20	1052962	(000000–)	Wheel, 05.0d 2.00w 0.75b, Gray, W/ Bshg	6	
21	1206367	(000000–)	Pin, Hitch, .750d X 7.00l, PI	2	
22	1057780	(000000–)	Horn, 36vdc, 110dba	1	
23	08716	(000000–)	Screw, Hex, M6 X 1.00 X 20, Ss	1	
24	01684	(000000–)	Washer, Flat, 0.27b 0.69d .05, Ss	2	
25	08712	(000000–)	Nut, Hex, Lock, M6 X 1.00, NI, Ss	1	
26	71579	(000000–)	Strap, Static, W/Grommet, .19 1.1w 25.0l	1	
27	763045	(000000–)	Screw, Hex, M8 X 1.25 X 20, Fmg	1	
28	41141	(000000–)	Washer, Lock, Int–Ext, 0.31	1	
29	1205048	(000000–010999)	Panel Wldt, Cover, Brush	1	
29	1225506	(011000–)	Panel Wldt, Cover, Brush	1	
30	1020341	(000000–)	Screw, Hex, M8 X 1.25 X 20, Ss, Sems	5	
31	1212248	(000000–)	Tread, Non–Skid–Step, 3.75W 8.5L, Sba	1	
32	09023	(000000–)	Screw, Hex, M8 X 1.25 X 35, Fl, Ss	4	
33	222516	(000000–)	Sleeve, P/m 0.32B 0.50D 0.3L [430Ss]	4	
34	08713	(000000–)	Nut, Hex, Lock, M8 X 1.25, NI, Ss	2	
35	09010	(000000–)	Screw, Hex, M8 X 1.25 X 25, Ss	4	
36	1017218	(000000–)	Washer, flat, 0.32B 1.00D .12, Ss	4	
37	1238848	(013000–)	Tray Wldt, Battery	1	
38	1037354	(013000–)	Screw, Hex, M8 X 1.25 X 30, 9.8, Sems	4	

Fig. 4 - Front Covers Group

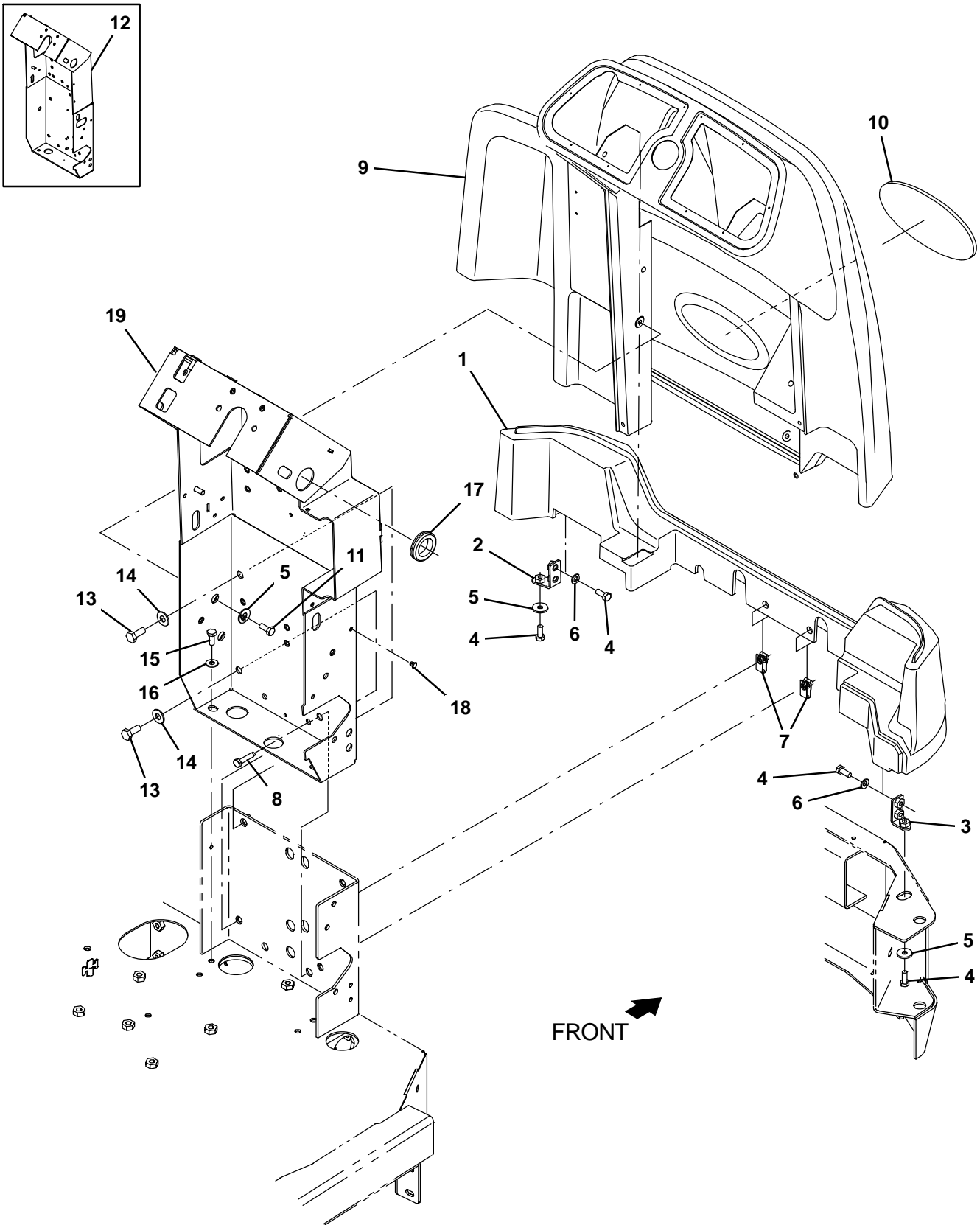


Fig. 4 – Front Covers Group

Ref.	Part No.	Serial Number	Description	Qty.	
1	1204732	(000000–) Platform, Oprtr, Front	1	
2	1208188	(000000–) Bracket Wldt, Mtg, Platform, Front	1	
3	1209246	(000000–) Bracket Wldt, Mtg, Platform, Front, Rh	1	
4	16931	(000000–) Screw, Hex, M8 X 1.25 X 20, 8.8	6	
5	1017218	(000000–) Washer, Flat, 0.32b 1.00d .12, Ss	6	
6	39349	(000000–) Washer, Flat, 0.31, Sae	4	
7	1208045	(000000–) Nut, U, M8 X 1.25 4–7 Thk	2	
8	1037355	(000000–) Screw, Hex, M8 X 1.25 X 35, 9.8, Sems	2	
▽	9	9020216	(000000–) Shroud, Front, Afrmkt [T17]	1
▲	10	1204077	(000000–) Nameplate, Tennant, Domed	1
11	09740	(000000–) Screw, Hex, M8 X 1.25 X 20, Ss	4	
12	1205397	(000000–010999) Channel Wldt, Steering	1	
13	39283	(000000–) Screw, Hex, M10 X 1.50 X 25, 8.8	5	
14	32492	(000000–) Washer, Flat, 0.38, Std	5	
15	09010	(000000–) Screw, Hex, M8 X 1.25 X 25, Ss	1	
16	32485	(000000–) Washer, Flat, 0.38, Sae	2	
17	04051	(000000–) Grommet, Rbr, 1.31id, F/1.6h, .12 Matl	1	
18	1202868	(000000–) Clip, Tie, 0.25d, Plstc	6	
19	1218213	(011000–) Channel Wldt, Sppt, Steering	1	

Fig. 5 - Steering Group

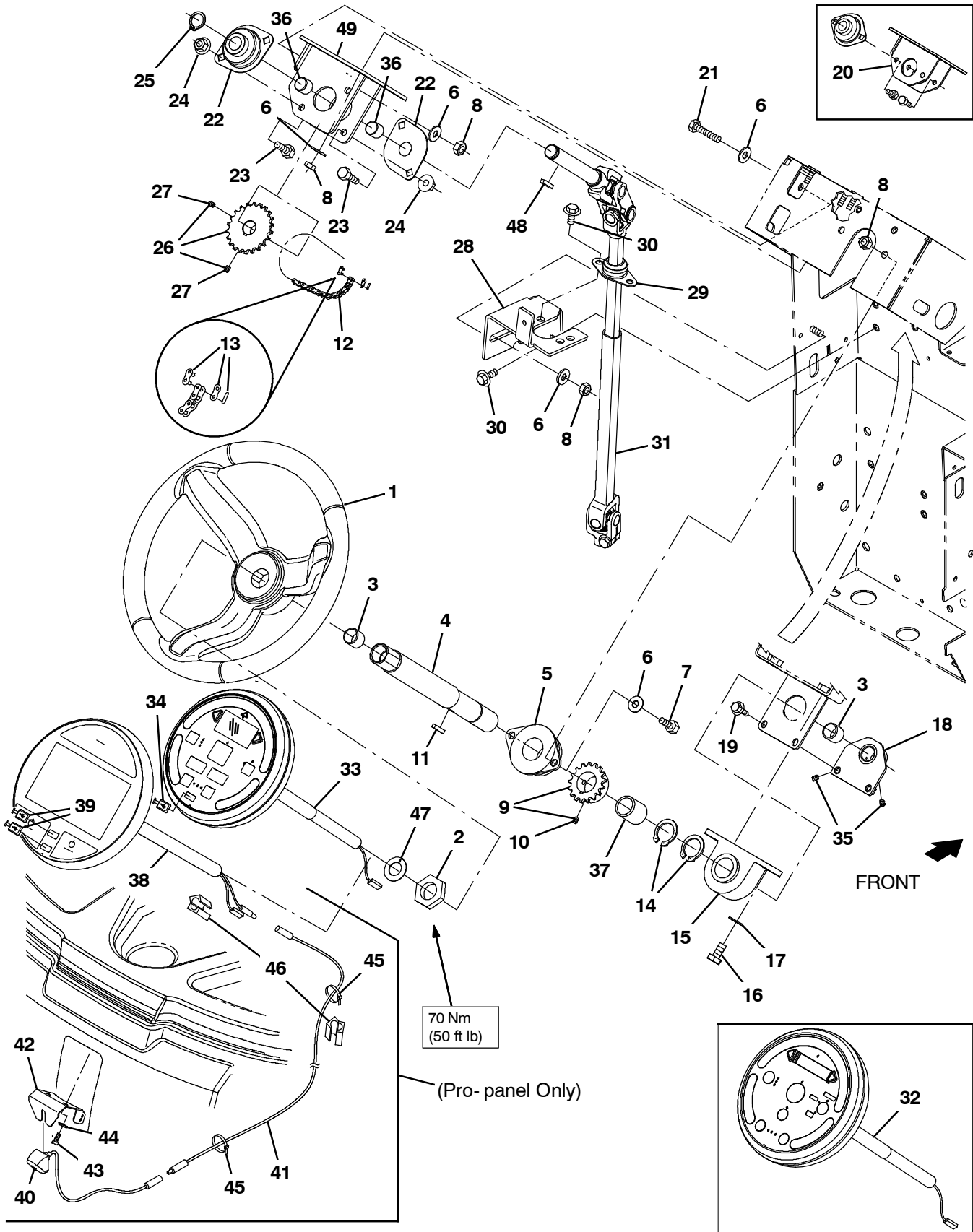


Fig. 5 - Steering Group

Ref.	Part No.	Serial Number	Description	Qty.	
1	1056412	(000000-) Wheel, Steering, 14.4d	1	
2	1059073	(000000-) Nut, Hex, Jam, 1.12- 12	1	
3	1057785	(000000-) Bearing, Journal, 0.75b 0.88d 0.75l	2	
4	1208612	(000000- 010999) Tube, Column, Steering	1	
4	1224341	(011000-) Tube, Column, Steering	1	
5	1057043	(000000-) Bearing, Flng, 2hole, 1.25b	1	
6	32491	(000000-) Washer, Flat, 0.31, Std	8	
7	16931	(000000-) Screw, Hex, M8 X 1.25 X 20, 8.8	8	
8	08709	(000000-) Nut, Hex, Lock, M8 X 1.25, NI	5	
▽	9010942	(000000- 010999) Sprocket Kit, 1.12B, Afmkt [T12]	1	
▲	9	1053825	(000000- 010999) Sprocket, Steering, 1.12B	1	
▲	10	09162	(000000- 010999) Screw, Set, M6 X 1.00 X 8, NI	2	
▽	9014999	(011000-) Sprocket Kit, 1.12B, Afmkt [T17/M17]	1	
▲	9	1224700	(011000-) Sprocket, Steering, 1.12B	1
▲	10	1224893	(011000-) Screw, Set, M8 X 1.25 X 8, Lock	1
11	00912	(000000-) Key, Sq, 0.19 X 0.19, 1.00l	1	
12	1073181	(000000-) Chain, Rlr, 35 X 41 Pitches	1	
13	14799	(000000-) Link, Chain, Rlr, 35	1	
14	70651	(000000- 010999) Ring, Retaining, Ext, 1.12d	1	
14	70651	(011000-) Ring, Retaining, Ext, 1.12d	2	
15	1054654	(000000-) Bearing, Pillowblock, 1.12b	1	
16	06961	(000000-) Screw, Hex, M10 X 1.5	2	
17	32485	(000000-) Washer, Flat, 0.38, Sae	2	
18	1208625	(000000-) Plate Wldt, Brg	1	
19	1034731	(000000-) Screw, Hex, M6 X 1.00 X 16, Ss, Sems	2	
20	1057572	(000000- 014649) Plate Wldt, Sppt, Brg (Only used with old Power Steering Motors)	1	
21	222505	(000000-) Screw, Hex, M8 X 1.25 X 45, Ss	1	
22	1057554	(000000-) Bearing, Flng, 2hole, 0.75b	2	
23	16735	(000000-) Screw, Hex, M8 X 1.25 X 16, 8.8	4	
24	07791	(000000-) Nut, Hex, Flng, M8 X 1.25	4	
25	26428	(000000-) Ring, Retaining, Ext, 0.75d, Hd	1	
▽	9010943	(000000- 010999) Sprocket Kit, 0.75B, Afmkt [T12]	1	
▲	26	1057171	(000000- 010999) Sprocket, Steering, 0.75B	2	
▲	27	09162	(000000- 010999) Screw, Set, M6 X 1.00 X 8, NI	2	
▽	9014998	(011000-) Sprocket Kit, 0.75B, Afmkt [T17/M17]	1	
▲	26	1224699	(011000-) Sprocket, Steering, 0.75B	2
▲	27	1224893	(011000-) Screw, Set, M6 X 1.00 X 8, NI	2
28	1205296	(000000- 010999) Bracket, Brg	1	
28	1225503	(011000-) Bracket, Brg	1	
29	223065	(000000-) Bearing, Flng, 2hole, 0.75b [Nyl]	1	
30	1020341	(000000-) Screw, Hex, M8 X 1.25 X 20, Ss, Sems	4	
31	1208113	(000000-) Shaft, Steering, Mnl	1	
32	9020223	(000000- 012999) Panel Kit, Pod, Afmkt [Std, T17]	1	
33	9015635	(013000-) Panel Kit, Pod, Afmkt [Std, T20]	1	
34	1225119	(013000-) Cap, Usb, Universal	1	
35	09162	(000000-) Screw, Set, M6 X 1.00 X 8, NI	2	
36	1226141	(011000-) Sleeve, P/M, 0.75B 0.88D 0.6L [841Brz]	2	
37	1224454	(011000-) Sleeve, P/M, 1.13B 1.38D 1.0L	1	

Fig. 5 – Steering Group

	Ref.	Part No.	Serial Number	Description	Qty.
▽	38	9015633	(013000–) Panel Kit, Pod, Afmkt [Pro, M20/M30/T20](Pro–panel Only)	1
▲	39	1225119	(013000–) Cap, Usb, Universal (Pro–panel Only)	2
	40	1218851	(013000–) Camera, Color, Fixed (Pro–panel Only)	1
	41	1218852	(013000–) Cable, Camera, 197.0L [Hvs] (Pro–panel Only)	1
	42	1219037	(013000–) Bracket, Mount, Camera (Pro–panel Only)	1
	43	360973	(013000–) Screw, Pan, Phl, 12–16 X 0.50, F/Plstc (Pro–panel Only)	2
	44	19066	(013000–) Washer, flat, 0.25B 0.56D .05, PI, 10 (Pro–panel Only)	2
	45	763114	(013000–) Tie, Cable, 11.3L, 2.75D Max (Pro–panel Only)	6
	46	1040049	(013000–) Inductor, 32.0mml [Ferrite 0–300mhz] (Pro–panel Only)	2
	47	04846	(000000–) Washer, Thrust, 0.79b 1.42d 0.06[Garlok]	1
	48	00912	(000000–010999) Key, Sq, 0.19 X 0.19, 1.00l	1
	48	00911	(011000–) Key, Sq, 0.19 X 0.19, 0.75l	1
	49	1256311	(014650–) Bracket Wldt, Mtg, Bearing, Steering	1

Fig. 6 – Brake and Directional Pedals Group

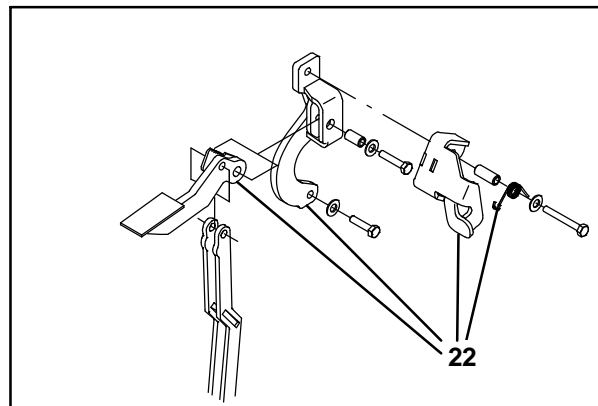
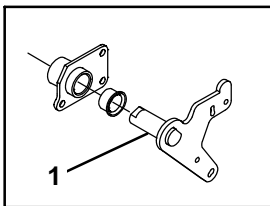
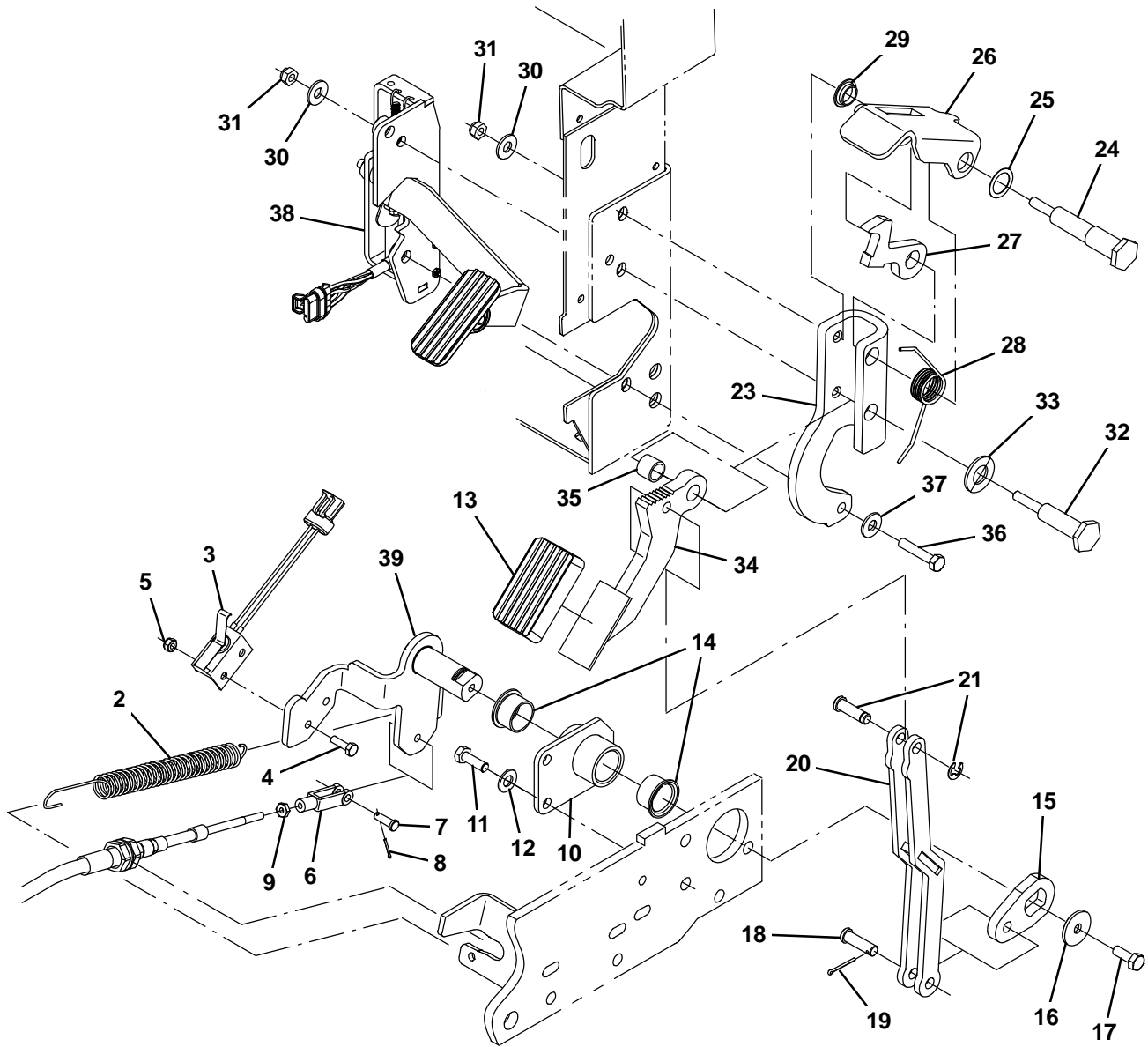


Fig. 6 – Brake and Directional Pedals Group

Ref.	Part No.	Serial Number	Description	Qty.
1	1207177	(000000–010999)	Shaft Wldt, Pivot, Front	1
2	1213461	(000000–)	Spring, Tens, .75Od X .08S 7.0L	1
3	1212400	(000000–)	Switch, Snap, 15a Nc	1
4	15678	(000000–)	Screw, Hex, M6 X 1.00 X 16, Ss	2
5	08712	(000000–)	Nut, Hex, Lock, M6 X 1.00, NI, Ss	2
6	14595–1	(000000–)	Clevis, Adj, 0.25pin, 0.25–28 Rh, PI	1
7	605070	(000000–)	Pin, Clevis, 0.25d X 0.79l	1
8	08178	(000000–)	Pin, Cotter, .062 X 0.75	1
9	32899	(000000–)	Nut, Hex, Jam, .25–28	1
10	1209015	(000000–010999)	Bracket Wldt, Support, Brake	1
10	1218580	(011000–)	Bracket Wldt, Support, Brake	1
11	09010	(000000–010999)	Screw, Hex, M8 X 1.25 X 25, Ss	3
11	09011	(011000–)	Screw, Hex, M8 X 1.25 X 30, Ss	3
12	01685	(000000–)	Washer, Flat, 0.38b 0.88d .08, Ss	3
13	1207654	(000000–)	Pad, Pedal, Brake, 2.79l 1.84w .75t	1
14	56166	(000000–)	Bushing, Flng, 1.00b 1.13d 0.75l	2
15	1207174	(000000–010999)	Bracket, Brake, Front	1
15	1218579	(011000–)	Bracket, Brake, Front	1
16	1016331	(000000–)	Washer, Flat, 0.34b 1.25d .11, Ss	1
17	09740	(000000–)	Screw, Hex, M8 X 1.25 X 20, Ss	1
18	46657	(000000–)	Pin, Clevis, 0.37d X 1.25l	1
19	08179	(000000–)	Pin, Cotter, .094 X 1.00	1
20	1207566	(000000–)	Link Wldt, Brake	1
21	1207981	(000000–)	Pin, Clevis, Grvd, 0.38d X 1.25l	1
22	9016734	(000000–011777)	Brake Kit, Replmt, Afmkt[T17/M17]	1
23	1236066	(011778–)	Bracket, Mtg, Pedal, Painted	1
24	1234792	(011778–)	Pin, Spindle, Spring	1
25	630358	(011778–)	Washer, Flat, 0.75b 1.00d .03, Nyl	1
26	1230885	(011778–)	Pedal, Window	1
27	1230821	(011778–)	Stop, Lock, Pedal	1
28	1234554	(011778–)	Spring, Torsion, Brake	1
29	04843	(011778–)	Bushing, Flng, 0.63b 0.72d 0.25l	1
30	32491	(011778–)	Washer, Flat, 0.31, Std	2
31	08709	(011778–)	Nut, Hex, Lock, M8 X 1.25, NI	2
32	1234789	(011778–)	Pin, Mtg, M8 X 1.25 Thrd	1
33	15331	(011778–)	Washer, Flat, 0.62, Sae	1
34	1229005	(011778–)	Plate Wldt, Shaft, Pedal	1
35	830207	(011778–)	Sleeve, 0.65b 0.87d 0.6l, PI	1
36	09026	(011778–)	Screw, Hex, M8 X 1.25 X 40, Ss	1
37	32491	(011778–)	Washer, Flat, 0.31, Std	1
38	1209411	(000000–)	Pedal Assy, Accelerator, W/O Brake [T17]	1
39	1217475	(000000–)	Shaft Wldt, Pivot, Front	1

Fig. 7 - Instrument Panel Group

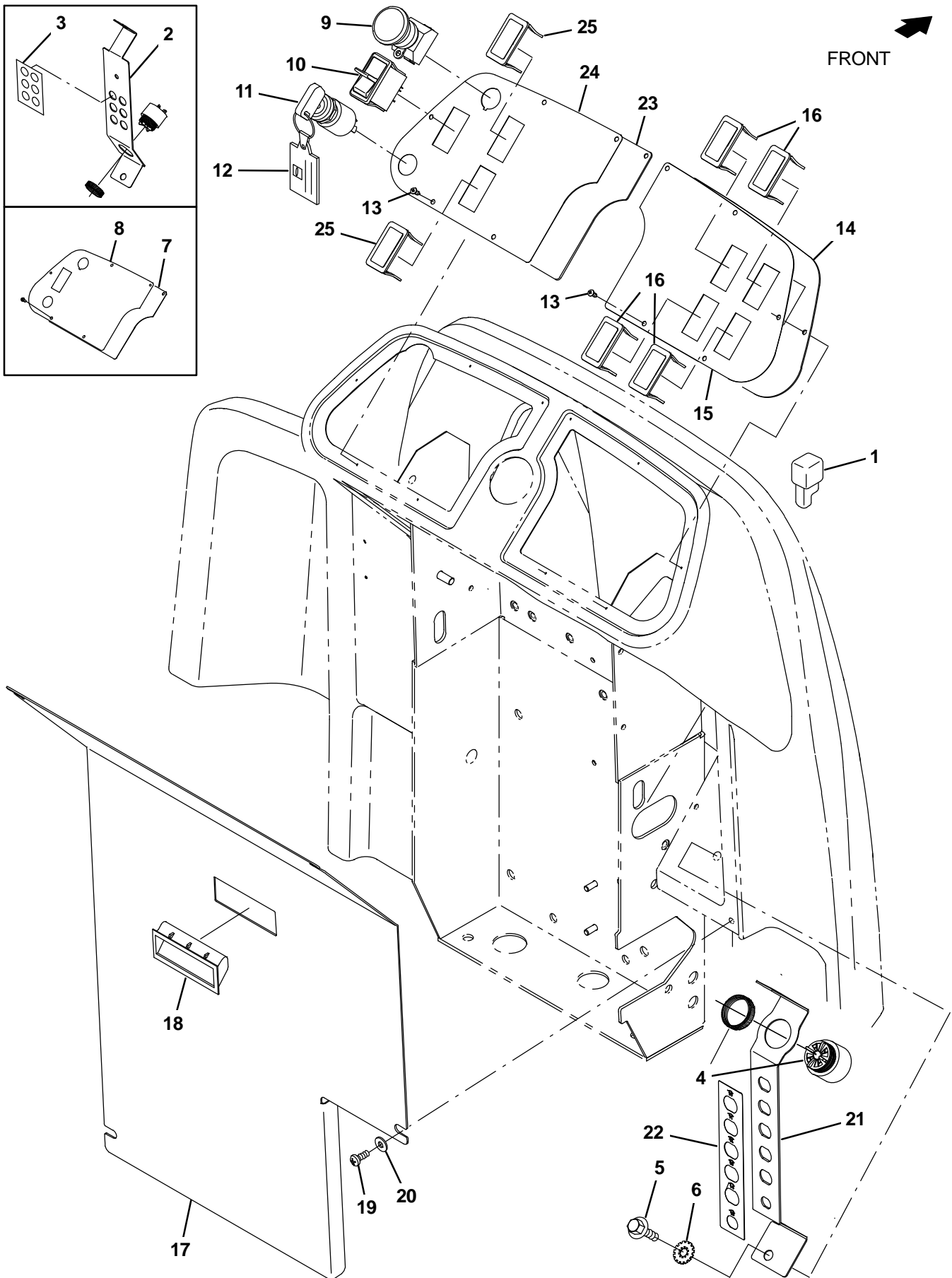


Fig. 7 – Instrument Panel Group

Ref.	Part No.	Serial Number	Description	Qty.	
1	222290	(000000–)	Diode, Ele, Plug	1	
2	1206546	(000000–010999)	Bracket, Ele, Cb	1	
3	1208411	(000000–010999)	Label, Circuit Breaker	1	
4	1052726	(000000–)	Alarm, 9–48vdc, 95 Db(A) [Ec–H20]	1	
5	1020341	(000000–)	Screw, Hex, M8 X 1.25 X 20, Ss, Sems	1	
6	41141	(000000–)	Washer, Lock, Int–Ext, 0.31	1	
7	1201534	(000000–012999)	Panel, Console, Lh	1	
8	1204170	(000000–012999)	Label, Opertnl, Console, Lh	1	
9	1011735	(000000–)	Switch, Safety, Shutoff	1	
10	1058679	(000000–)	Switch, Rocker, Dpdt, On / None / On	1	
▽	11	361076	(000000–)	Switch, Ignition [Merit Gmbh]	1
▲		361144	(000000–)	Key, Ignition, Sgl	1
	12	1075003	(000000–)	Keychain, Rectangle, Parts & Service	1
	13	140825	(000000–)	Screw, Pan, Phl, 06 X 0.50, Fmg/Ab, Blk	10
	14	1208185	(000000–)	Panel, Console, Rh	1
	15	1252251	(000000–)	Label, Opertnl, Console, Rh [2–Switch]	1
	16	398501	(000000–)	Plug, Hole, Rt, Rocker Switch, .87 X 1.7	4
	17	9020225	(000000–)	Panel, Access, Na, Afmkt [T17]	1
	17	9020227	(000000–)	Panel, Access, Tj, Afmkt [T17]	1
	18	1208187	(000000–)	Handle, Panel	1
	19	1045525	(000000–)	Screw, Pan, Phl, M6 X 1.00 X 12, Blk	4
	20	1069322	(000000–)	Washer, Flat, 0.25, Sae, Blk	4
	21	1217573	(011000–)	Bracket, Ele, Circuitbreaker	1
	22	1218920	(011000–)	Label, Circuitbreaker, Steering	1
	23	1236430	(013000–)	Panel, Console, Lh	1
	24	1238870	(013000–)	Label, Opertnl, Console, Lh	1
	25	398501	(013000–)	Plug, Hole, Rt, Rocker Switch, .87 X 1.7	2

Fig. 8 - Seat Group

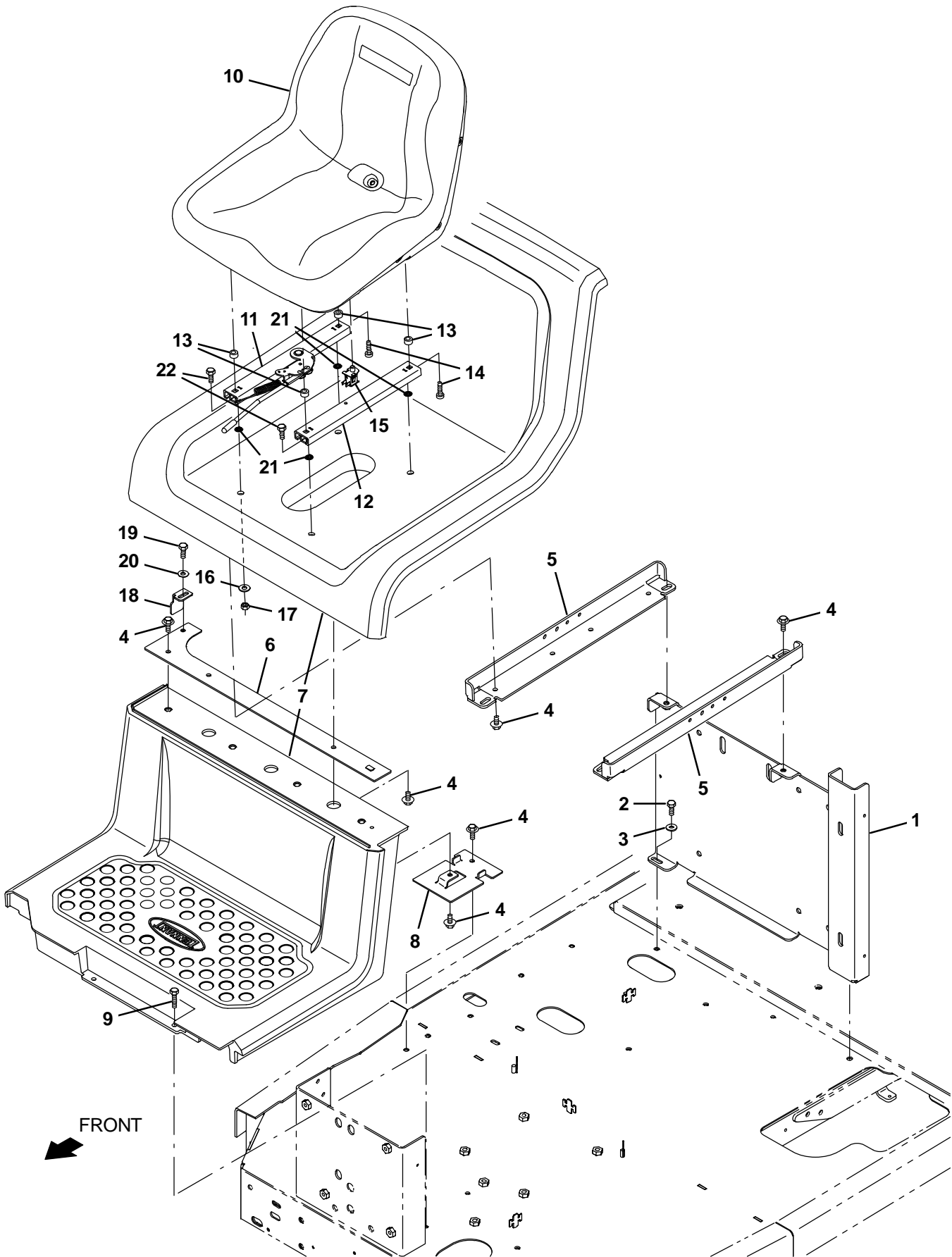


Fig. 8 – Seat Group

Ref.	Part No.	Serial Number	Description	Qty.
1	1207922	(000000–) Bracket Wldt, Sppt, Tank	1
2	223163	(000000–) Screw, Hex, M8 X 1.25 X 30, 8.8, NI	2
3	1017218	(000000–) Washer, Flat, 0.32b 1.00d .12, Ss	2
4	1020341	(000000–) Screw, Hex, M8 X 1.25 X 20, Ss, Sems	11
5	1239681	(000000–) Angle, Sppt, Seat	2
6	1206785	(000000–) Plate Wldt, Mtg, Platform	1
7	1212415	(000000–) Platform Set, Oprtr [T17]	1
8	1205073	(000000–) Plate, Mtg	1
9	1037355	(000000–) Screw, Hex, M8 X 1.25 X 35, 9.8, Sems	2
10	1201894	(000000–) Seat, Std [Milsco]	1
11	1077071	(000000–) Track, Locking, 12.5l, No Stud W/Handle	1
12	1077067	(000000–) Track, N–Lkg, Seat, 12.5l, No Stud	1
13	1051052	(000000–) Spacer, Rnd, .38b .88d .38l	4
14	49177	(000000–) Screw, Pan, Phl, .31–18 X 1.00, G2	4
15	1048955	(000000–) Switch, Seat, No [Delta 6440–04]	1
16	01685	(000000–) Washer, Flat, 0.38b 0.88d .08, Ss	4
17	41437	(000000–) Nut, Hex, Lock, .31–18, NI, Ss	4
18	1209194	(000000–) Angle, Latch	1
19	06942	(000000–) Screw, Hex, M6 X 1.00 X 16, 8.8	1
20	32483	(000000–) Washer, Flat, 0.25, Sae	1
21	1077073	(000000–) Nut, Push, Bolt Retention, Stl,5/16 Thrd	4
22	76955	(000000–) Screw, Hex, .31–18 X 1.00, G5	4

Fig. 9 - Deluxe Seat Kit

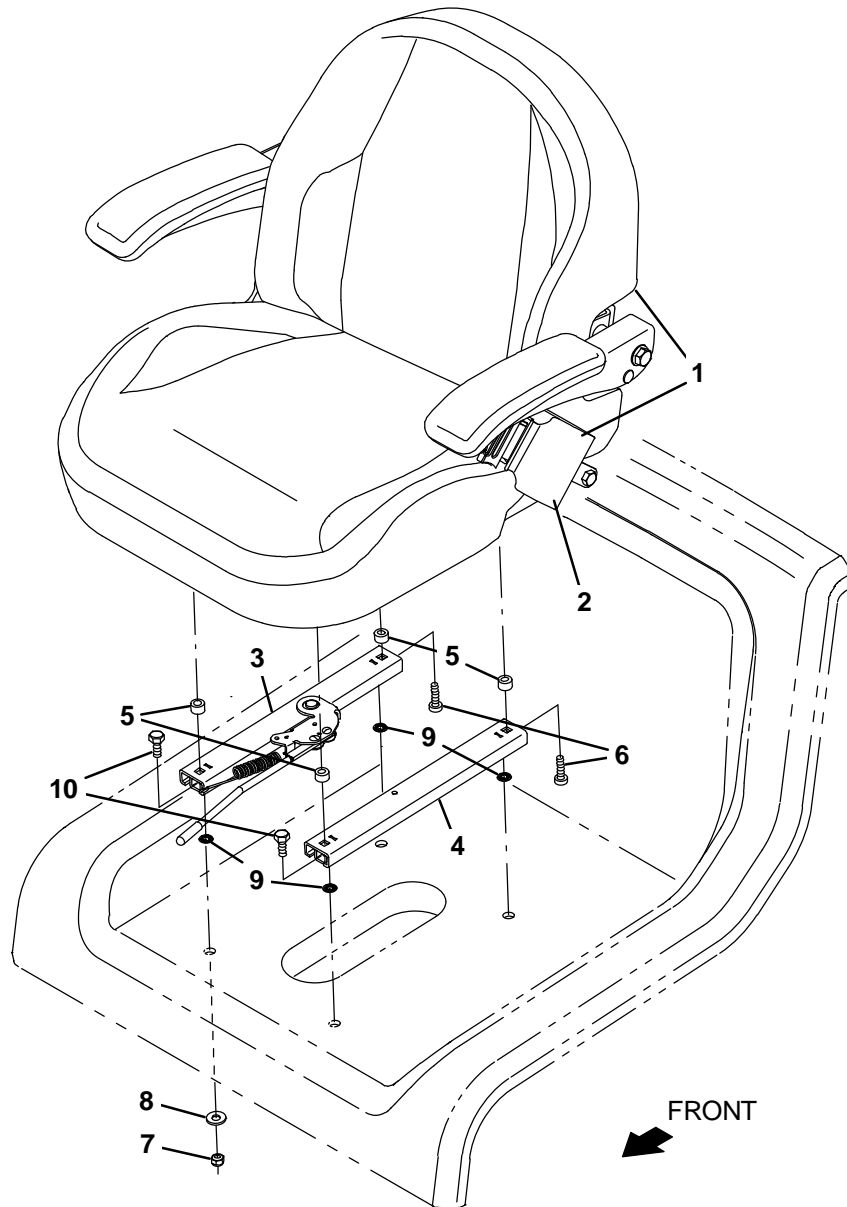


Fig. 9 – Deluxe Seat Kit

	Ref.	Part No.	Serial Number	Description	Qty.
▽		9020103	(000000–) Seat Kit, Deluxe, Ci [T17]	1
▲▽	1	1201428	(000000–) Seat, Dlx, W/ Armrests & Seatbelt	1
▲▲	2	1248442	(000000–) Seatbelt, Orange, Retractable, Afmkt	1
▲	3	1077071	(000000–) Track, Locking, 12.5l, No Stud W/Handle	1
▲	4	1077067	(000000–) Track, N-Lkg, Seat, 12.5l, No Stud	1
▲	5	1051052	(000000–) Spacer, Rnd, .38b .88d .38l	4
▲	6	49177	(000000–) Screw, Pan, Phl, .31–18X1.00, G2	4
▲	7	41437	(000000–) Nut, Hex, Lock, .31–18, NI, Ss	4
▲	8	01685	(000000–) Washer, Flat, 0.38b 0.88d .08, Ss	4
▲	9	1077073	(000000–) Nut, Push, Bolt Retention, Stl,5/16 Thrd	4
▲	10	76955	(000000–) Screw, Hex, .31–18 X 1.00, G5	4

Fig. 10 – Drive Wheel Group (000000–010999)

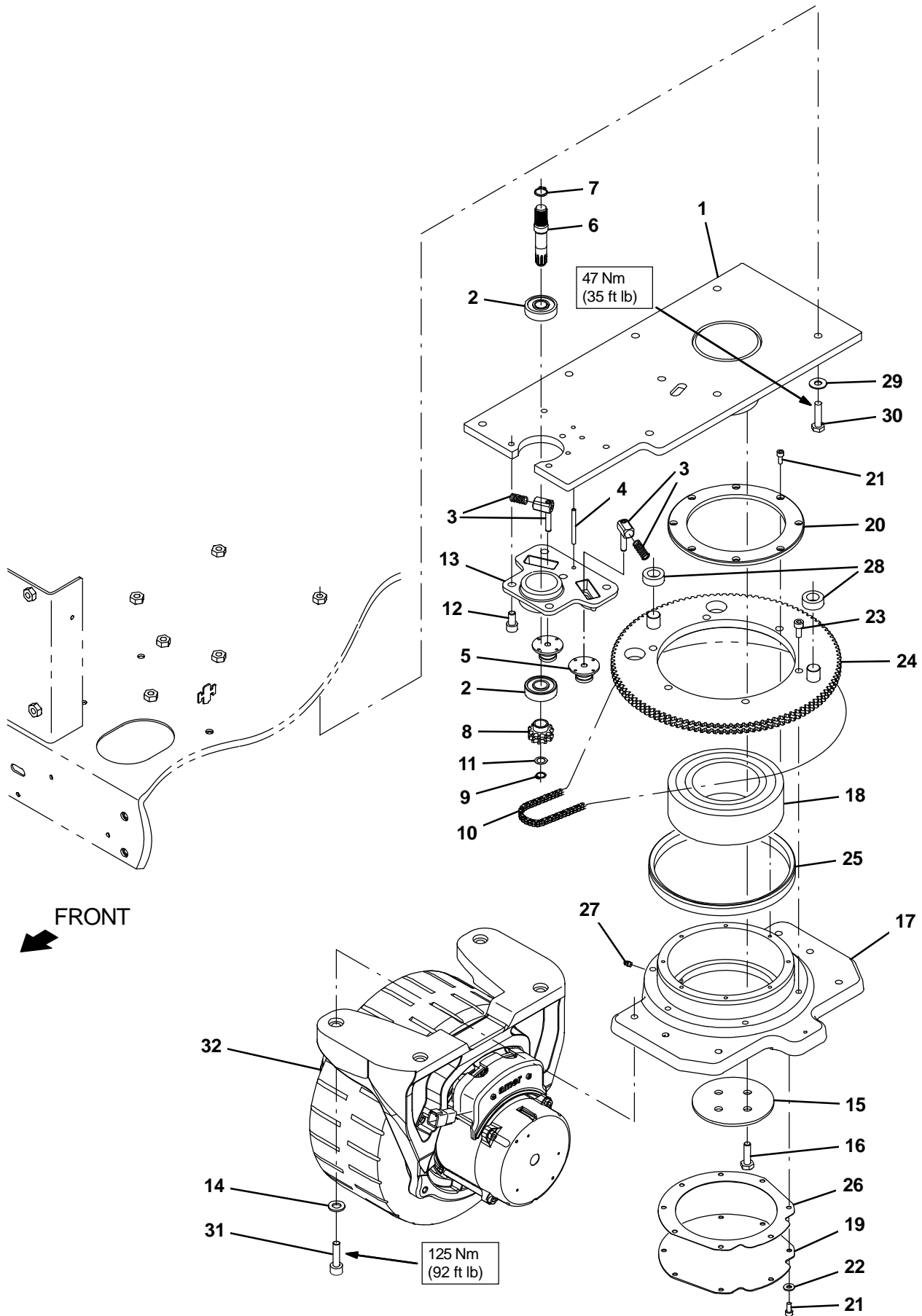


Fig. 10 – Drive Wheel Group (000000–010999)

Ref.	Part No.	Serial Number	Description	Qty.
▽	9013267	(000000–010999)	Transmission Assy, Str, Afmkt [T17]	1
▲	1 1209073	(000000–010999)	Plate Wldt, Attachment, Frame	1
▲	2 1208971	(000000–010999)	Bearing, Ball, 0.67b, 1.85d, 0.55w	2
▲	3 9015632	(000000–010999)	Tensioner Kit, Str Trans, Afmkt [T17/M17]	2
▲	4 26315	(000000–010999)	Pin, Roll, .250X 1.5L, .250/.256	4
▲	5 1208974	(000000–010999)	Tensioner, Chain, Dbl	2
▲	6 1208986	(000000–010999)	Shaft, Input, Transmission	1
▲	7 1208985	(000000–010999)	Ring, Retaining, Ext, 16.2mm Id, Hd	1
▲	8 1208989	(000000–010999)	Sprocket, Dbl	1
▲	9 1208983	(000000–010999)	Ring, Retaining, Ext, 11.5mm Id	1
▲	10 1208987	(000000–010999)	Chain, Double, 3/8 Pitch, Transmission	1
▲	11 1208999	(000000–010999)	Washer, Large, Transmission	1
▲	12 1208977	(000000–010999)	Screw, Soc, M10 X 1.5 X 20, 12.9	5
▲	13 1209052	(000000–010999)	Housing, Input [As Machined]	1
▲	14 33925	(000000–010999)	Washer, Flat, M12	4
▲	15 1209966	(000000–010999)	Retainer, Shaft, Transmission	1
▲	16 368176	(000000–010999)	Screw, Hex, M10 X 1.50 X 35, 10.9	4
▲	17 1210286	(000000–010999)	Housing, Output, Machined	1
▲	18 1209969	(000000–010999)	Bearing, Ball, 3.74b, 6.69d, 2.19w	1
▲	19 1209968	(000000–010999)	Cover, Transmission	1
▲	20 1209965	(000000–010999)	Retainer, Housing, Transmission	1
▲	21 1062386	(000000–010999)	Screw, Soc, M6 X 1.00 X 14, NI	16
▲	22 32483	(000000–010999)	Washer, Flat, 0.25, Sae	8
▲	23 41358	(000000–010999)	Screw, Soc, M10 X 1.50 X 35, 12.9	6
▲	24 1209964	(000000–010999)	Sprocket Wldt, Output, Transmission	1
▲	25 1209995	(000000–010999)	Seal, Axial, Transmission [199 Vs R]	1
▲	26 1209960	(000000–010999)	Gasket, Steering, Transmission	1
▲	27 07259	(000000–010999)	Fitting, Grease, Str Pm04 .47I	1
▲	28 1211952	(000000–010999)	Tube, 0.74id 1.24od 0.47I, Pyu	2
▲	29 32492	(000000–010999)	Washer, Flat, 0.38, Std	7
▲	30 39285	(000000–010999)	Screw, Hex, M10 X 1.50 X 40, 8.8	7
▲	31 16960	(000000–010999)	Screw, Soc, M12 X 1.75 X 40, 12.9	4
▽	32 1206485	(000000–010999)	Wheel Assy, Drive, Ac, W/O Brake	1
▲	9020266	(000000–010999)	Tire, Assy, Front, Std, Red [T17]	1
▽	32 1208899	(000000–010999)	Wheel Assy, Drive, Ac, W/O Brake, White (Optional)	1
▲	9020267	(000000–010999)	Tire Assy, Front, Opt, White [T17] (Optional)	1

Fig. 11 – Drive Wheel Group (011000-)

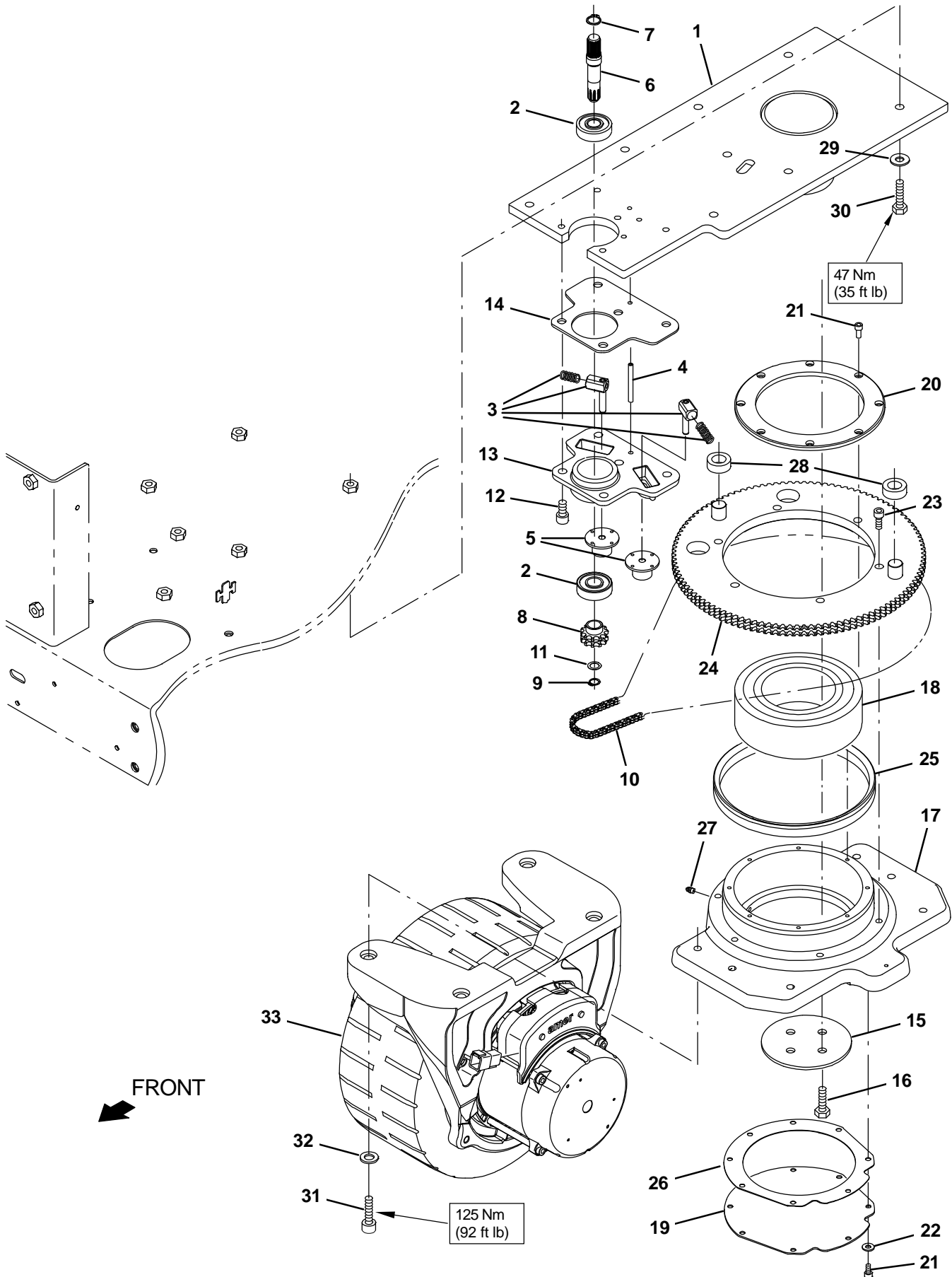


Fig. 11 – Drive Wheel Group (011000–)

Ref.	Part No.	Serial Number	Description	Qty.
▽	9014997	(011000–)	Transmission Assy, Str, Afmkt [T17/M17]	1
▲	1 1217322	(011000–)	Plate Wldt, Attachment, Frame	1
▲	2 1208971	(011000–)	Bearing, Ball, 0.67b, 1.85d, 0.55w	2
▲	3 9015632	(011000–)	Tensioner Kit, Str Trans, Afmkt [T17/M17]	1
▲	4 26315	(011000–)	Pin, Roll, .250d X 1.50l, .250/.256	
▲	5 1208974	(011000–)	Tensioner, Chain, Dbl	2
▲	6 1208986	(011000–)	Shaft, Input, Transmission	1
▲	7 1208985	(011000–)	Ring, Retaining, Ext, 16.2mm Id, Hd	1
▲	8 1208989	(011000–)	Sprocket, Dbl	1
▲	9 1208983	(011000–)	Ring, Retaining, Ext, 11.5mm Id	1
▲	10 1208987	(011000–)	Chain, Double, 3/8 Pitch, Transmission	1
▲	11 1208999	(011000–)	Washer, Flat, 0.50b 0.75d .02, Stl	1
▲	12 1208977	(011000–)	Screw, Soc, M10 X 1.5 X 20, 12.9	5
▲	13 1209052	(011000–)	Housing, Input [As Machined]	1
▲	14 1225563	(011000–)	Shim, Transmission	1
▲	15 1209966	(011000–)	Retainer, Shaft, Transmission	1
▲	16 368176	(011000–)	Screw, Hex, M10 X 1.50 X 35, 10.9	4
▲	17 1210286	(011000–)	Housing, Output, Machined	1
▲	18 1209969	(011000–)	Bearing, Ball, 3.74b, 6.69d, 2.19w	1
▲	19 1209968	(011000–)	Cover, Transmission	1
▲	20 1209965	(011000–)	Retainer, Housing, Transmission	1
▲	21 1062386	(011000–)	Screw, Soc, M6 X 1.00 X 14, NI	16
▲	22 32483	(011000–)	Washer, Flat, 0.25, Sae	8
▲	23 41358	(011000–)	Screw, Soc, M10 X 1.50 X 35, 12.9	6
▲	24 1209964	(011000–)	Sprocket Wldt, Output, Transmission	1
▲	25 1209995	(011000–)	Seal, Axial, Transmission [199 Vs R]	1
▲	26 1209960	(011000–)	Gasket, Steering, Transmission	1
▲	27 07259	(011000–)	Fitting, Grease, Str Pm04 .47l	1
▲	28 1211952	(011000–)	Tube, 0.74id 1.24od 0.47l, Pyu	2
▲	29 32492	(011000–)	Washer, Flat, 0.38, Std	7
▲	30 39285	(011000–)	Screw, Hex, M10 X 1.50 X 40, 8.8	7
▲	31 16960	(011000–)	Screw, Soc, M12 X 1.75 X 40, 12.9	4
▲	32 33925	(011000–)	Washer, Flat, M12, Ss	4
▽	33 1244839	(011000–)	Wheel Assy, Drive, Ac, W/O Brake	1
▲	9020266	(011000–)	Tire, Assy, Front, Std, Red [T17]	1
▽	33 1244840	(011000–)	Wheel Assy, Drive, Ac, W/O Brake, White (Optional)	1
▲	9020267	(011000–)	Tire Assy, Front, Opt, White [T17] (Optional)	1
▲	9020747*	(011000–)	Oil Kit, Drive, Afmkt [M17]	1

* Requires Tennant *True* service or an authorized Tennant service provider.

Fig. 12 – Drive Wheel Electrical Group (000000–010999)

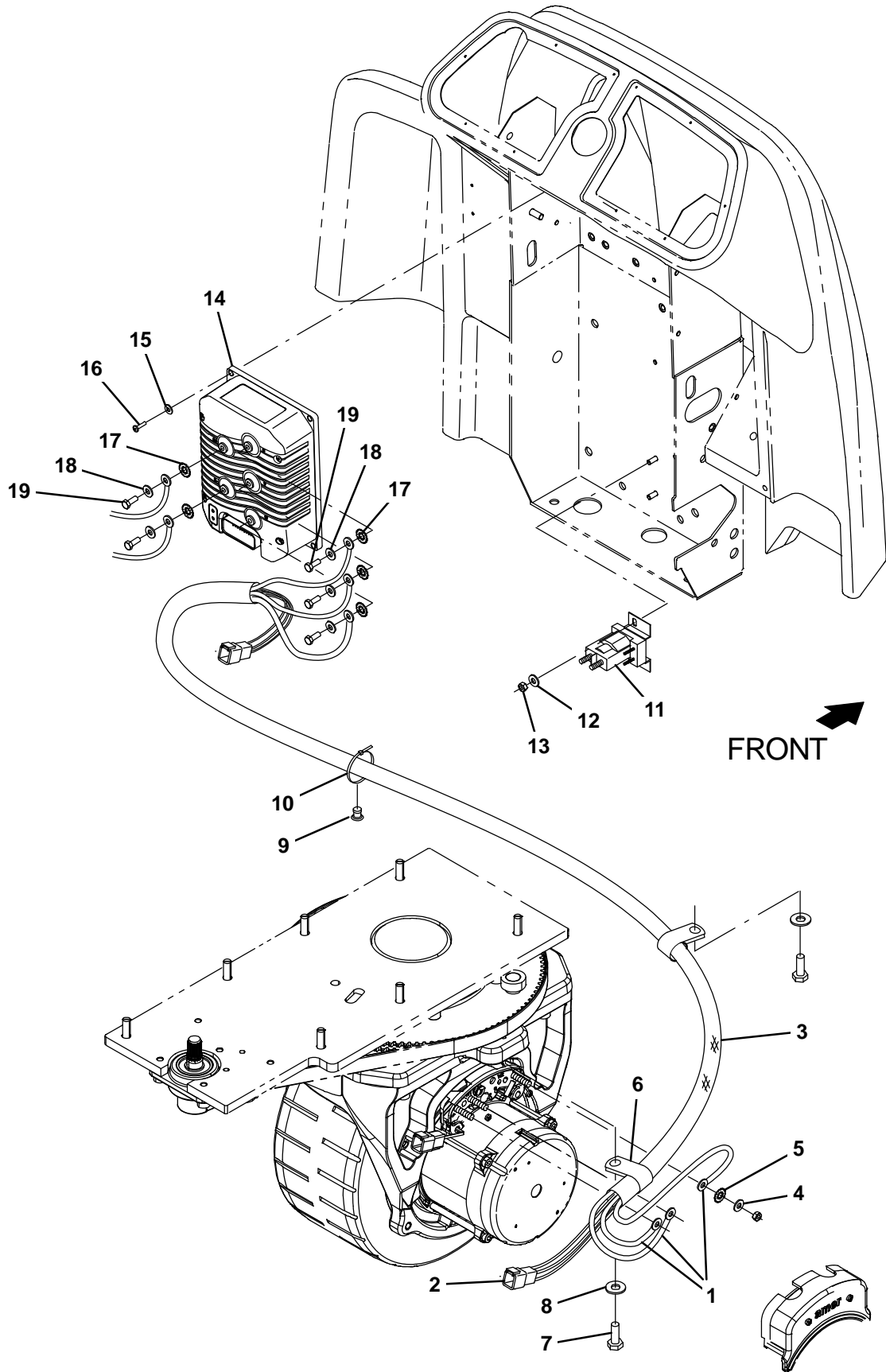


Fig. 12 – Drive Wheel Electrical Group (000000–010999)

Ref.	Part No.	Serial Number	Description	Qty.
1	1072951	(000000–010999)	Harness, Cable, Propel Motor [T17] (Replaced by 9015274)	1
2	1072952	(000000–010999)	Harness, Ele, Propel Motor [T17] (Replaced by 9015274)	1
3	82831	(000000–010999)	Sleeve, Nyl, 1.63id 35.0l	1
4	39349	(000000–010999)	Washer, Flat, 0.31, Sae	3
5	32984	(000000–010999)	Washer, Lock, Int, 0.31	3
6	69234	(000000–010999)	Clamp, Cable, Stl, 1.00d X 0.75w, 1hole	1
7	15678	(000000–010999)	Screw, Hex, M6 X 1.00 X 16, Ss	1
8	01684	(000000–010999)	Washer, Flat, 0.27b 0.69d .05, Ss	1
9	1071085	(000000–010999)	Clip, Tie, 0.25d, Plstc	1
10	763114	(000000–010999)	Tie, Cable, 11.3l, 2.75d Max	1
11	386810	(000000–010999)	Contacto, 36vdc, 100a, Sp, No	2
12	32483	(000000–010999)	Washer, Flat, 0.25, Sae	2
13	41359	(000000–010999)	Nut, Hex, Std, M6 X 1.00, 8	2
14	1207297	(000000–010999)	Controller, Propel [Ac, 36v, 275a]	1
15	01683	(000000–010999)	Washer, Flat, 10, Ss	4
16	24265	(000000–010999)	Screw, Pan, Phi, M4 X 0.70 X 16, Ss	4
17	07515	(000000–010999)	Washer, Lock, Int, 0.25, Ss	5
18	32483	(000000–010999)	Washer, Flat, 0.25, Sae	5
19	06942	(000000–010999)	Screw, Hex, M6 X 1.00 X 16, 8.8	5

Fig. 13 – Drive Wheel Electrical Group (011000-)

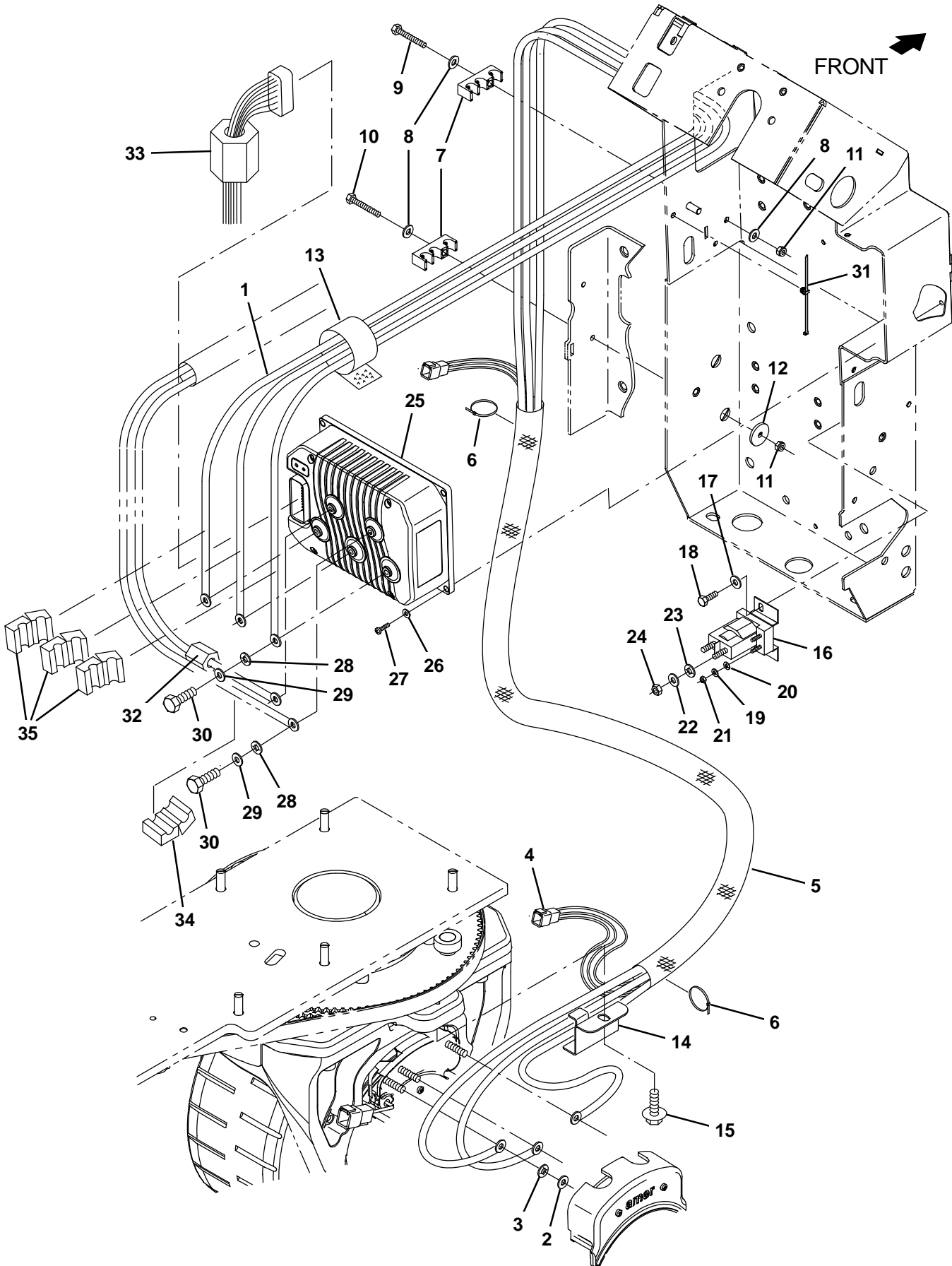


Fig. 13 – Drive Wheel Electrical Group (011000–)

Ref.	Part No.	Serial Number	Description	Qty.
1	1074570	(011000–)	Cable Assy, 02ga [T18/T17, Propel]	1
2	39349	(011000–)	Washer, Flat, 0.31, Sae	3
3	32984	(011000–)	Washer, Lock, Int, 0.31	3
4	1075150	(011000–)	Harness, Ele, Propel Motor [M17, T17]	1
5	13773	(011000–)	Sleeve, Nyl, 1.63id 20.0l	1
6	763114	(011000–)	Tie, Cable, 11.3l, 2.75d Max	2
7	1221794	(011000–)	Clamp, Sppt, Wire	4
8	32483	(011000–)	Washer, Flat, 0.25, Sae	5
9	06946	(011000–)	Screw, Hex, M6 X 1.00 X 35, 8.8	1
10	06948	(011000–)	Screw, Hex, M6 X 1.00 X 45, 8.8	1
11	08708	(011000–)	Nut, Hex, Lock, M6 X 1.00, NI	4
12	386063	(011000–)	Washer, Flat, 0.25b 1.12d .12, Ss	1
13	1209444	(011000–)	Fastener, 11.00l [Hook & Loop]	1
14	1217751	(011000–)	Clamp, Cable	1
15	1040467	(011000–)	Screw, Hex, M6 X 1.00 X 20, 9.8, Sems	1
16	386810	(011000–)	Contact, 36vdc, 100a, Sp, No	1
17	32483	(011000–)	Washer, Flat, 0.25, Sae	2
18	06942	(011000–)	Screw, Hex, M6 X 1.00 X 16, 8.8	2
19	19324	(011000–)	Washer, Flat, 10, Sae	2
20	32980	(011000–)	Washer, Lock, Int, 10	2
21	01713	(011000–)	Nut, Hex, Std, 10–32,	2
22	39349	(011000–)	Washer, Flat, 0.31, Sae	2
23	32984	(011000–)	Washer, Lock, Int, 0.31	2
24	20170	(011000–)	Nut, Hex, Jam, .31–24	2
25	1225442	(011000–)	Controller, Propel [Ac, 36v, 275a]	1
26	19065	(011000–)	Washer, Flat, 0.19b 0.44d .05, PI, 08	4
27	06927	(011000–)	Screw, Pan, Phl, M4 X 0.70 X 16, 4.8	4
28	07515	(011000–)	Washer, Lock, Int, 0.25, Ss	5
29	32483	(011000–)	Washer, Flat, 0.25, Sae	5
30	06942	(011000–)	Screw, Hex, M6 X 1.00 X 16, 8.8	5
31	1221161	(011000–)	Tie, Cable, Nyl, Push Mount, 76mm Max D	1
32	1039998	(011000–)	Inductor, 32.5mml [Ferrite 25–300mhz] (Australia Only)	1
33	1052123	(011000–)	Inductor, 18mml [225 Imp At 25mhz] (Australia Only)	1
34	1039998	(011000–)	Inductor, 32.5mml [Ferrite 25–30Mhz] (Europe, Australia, Canada Only)	1
35	1052126	(011000–)	Inductor, 12.7mml [156 Imp At 25Mhz] (Europe, Australia, Canada Only)	3

Fig. 14 – Rear Wheels and Brake Group

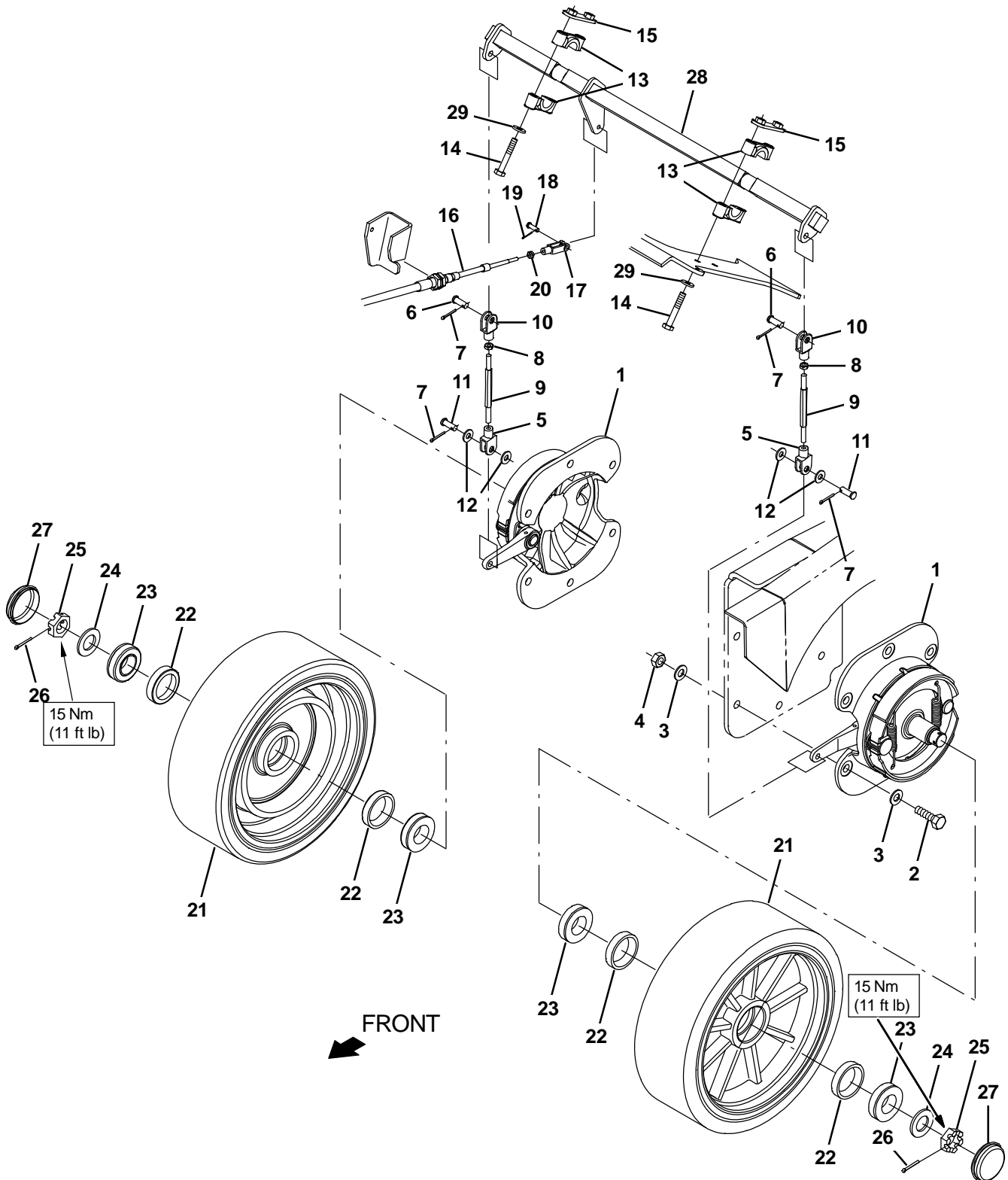


Fig. 14 – Rear Wheels and Brake Group

Ref.	Part No.	Serial Number	Description	Qty.
▽	1	54577	(000000–) Brake Assy, Drum, Mech, 07.9d [6600]	2
▲		66211	(000000–) Shoe Set, Brake [1pick=1pkg]	1
▲▽		66213	(000000–) Brake Kit, Repair	1
▲▲		70161	(000000–) Shaft	1
▲		70158	(000000–) Spring	2
	2	06969	(000000–) Screw, Hex, M12 X 1.75 X 40, 8.8	12
	3	32486	(000000–) Washer Flat,0.50,Sae	24
	4	08711	(000000–) Nut, Hex, Lock, M12 X 1.75, NI	12
▽		9020231	(000000–) Brake Rod Kit, Afmkt [T17]	2
▲	5	1023676	(000000–) Clevis, Adj, 0.38pin, 0.31–24, PI	2
▲	6	76653	(000000–) Pin, Clevis, 0.37d X 1.00l	2
▲	7	08182	(000000–) Pin, Cotter, .125 X 1.00	4
▲	8	20170	(000000–) Nut, Hex, Jam, .31–24	2
▲	9	1207984	(000000–) Rod, Hex, Thd .31–24, 2–Ended	2
▲	10	1023677	(000000–) Clevis, Adj, 0.38pin, 0.31–24, Lh, PI	2
▲	11	630258	(000000–) Pin, Clevis, 0.38D X 1.00L	2
▲	12	32491	(000000–) Washer, flat, 0.31, Std	4
	13	381502	(000000–) Bearing, Split, 1.00b	4
	14	39281	(000000–) Screw, Hex, M8 X 1.25 X 90, 8.8	4
	15	1208106	(000000–) Plate Wldt, Bearing Clamp	2
	16	1207436	(000000–) Cable, Push / Pull, 052.6L .25–28/.25–28	1
	17	14595–1	(000000–) Clevis, Adj, 0.25pin, 0.25–28 Rh, PI	1
	18	605070	(000000–) Pin, Clevis, 0.25d X 0.79l	1
	19	08178	(000000–) Pin, Cotter, .062 X 0.75	1
	20	32899	(000000–) Nut, Hex, Jam, .25–28	1
▽		9020263	(000000–) Tire Assy, Rear, Std (1) [T17]	2
▲	21	1212112	(000000–) Tire, Solid, 15.0 X 5.0, Poly, Std	1
▲▽		9020265	(000000–) Wheel Bearing Kit, Rear, Afmkt [T17]	1
▲▲	22	51338	(000000–) Bearing, Cup, 2.56d 0.55w	2
▲▲	23	51339	(000000–) Bearing, Cone, 1.38b 0.71w	2
▲▲	24	32969	(000000–) Washer, Flat, 1.00, Sae	1
▲▲	25	14242	(000000–) Nut, Hex, Sltd, 1.00–20	1
▲▲	26	08202	(000000–) Pin, Cotter, .125 X 1.75	1
▲▲	27	54390	(000000–) Cap, Hub, Dust, 2.57d 0.77l	1
▽		9020264	(000000–) Tire Assy, Rear, High Traction (1) [T17] (Option)	2
▲	21	1242235	(000000–) Tire, Solid, 15.0 X 5.0 [Hi–Traction]	1
▲▽		9020265	(000000–) Wheel Bearing Kit, Rear, Afmkt [T17]	1
▲▲	22	51338	(000000–) Bearing, Cup, 2.56d 0.55w	2
▲▲	23	51339	(000000–) Bearing, Cone, 1.38b 0.71w	2
▲▲	24	32969	(000000–) Washer, Flat, 1.00, Sae	1
▲▲	25	14242	(000000–) Nut, Hex, Sltd, 1.00–20	1
▲▲	26	08202	(000000–) Pin, Cotter, .125 X 1.75	1
▲▲	27	54390	(000000–) Cap, Hub, Dust, 2.57d 0.77l	1
	28	1207184	(000000–) Shaft Wldt, Brake	1
	29	39349	(000000–) Washer, Flat, 0.31, Sae	4

Fig. 15 – Scrub Head Lift Group

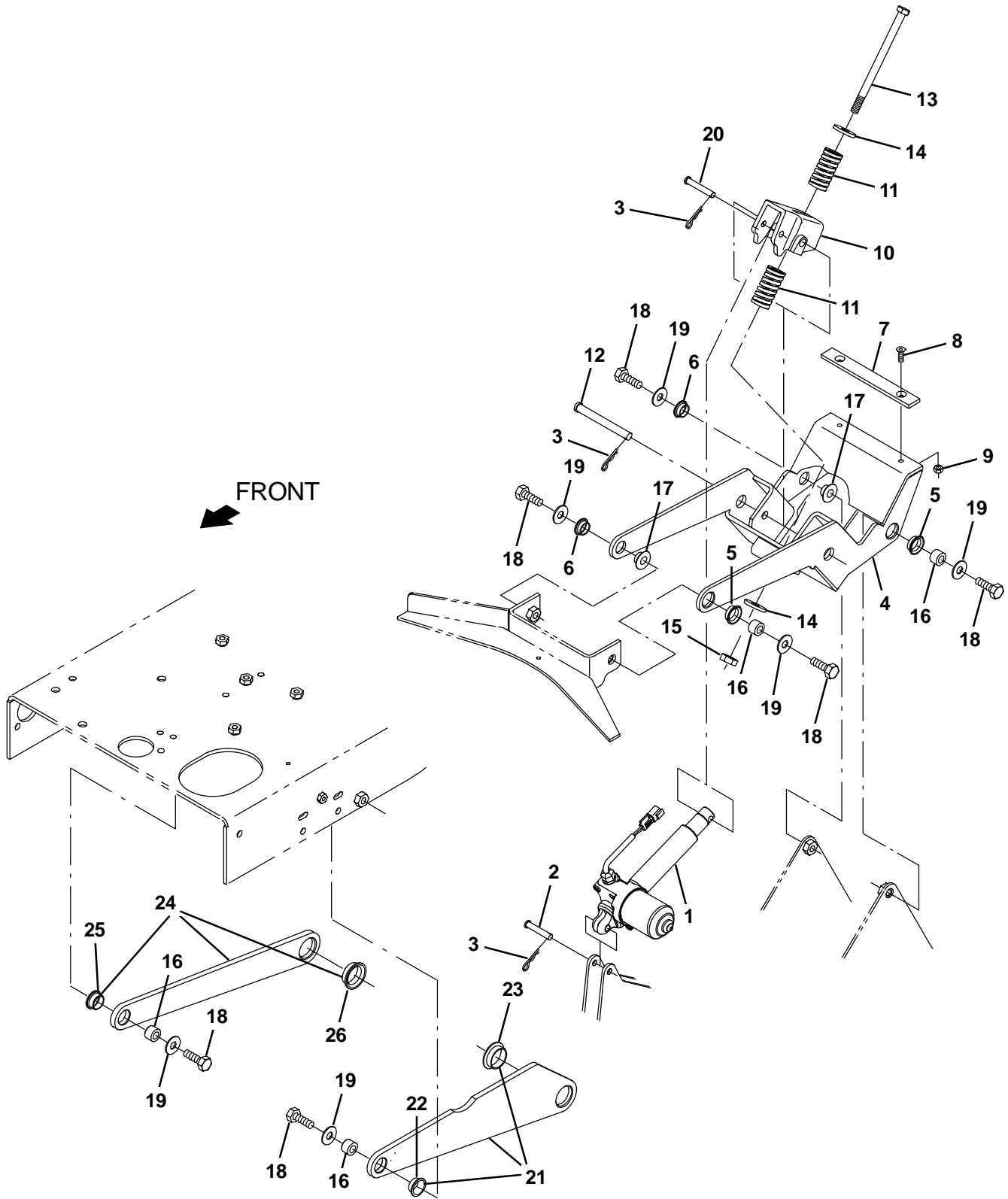


Fig. 15 – Scrub Head Lift Group

Ref.	Part No.	Serial Number	Description	Qty.
	1	1206470	(000000–) Actuator, 36vdc, 5.00strk, 1100lb	1
	2	29584	(000000–) Pin, Clevis, 0.37d X 2.00l	1
	3	44906	(000000–) Pin, Cotter, Hair, 0.38d .093 Wir	3
▽	9020250	(000000–) Link Assy, Lift, Head, Afmkt [T17]	1	
▲	4	1233055	(000000–) Arm Wldt, Lift	1
▲	5	1037827	(000000–) Bushing, Flng, 0.88b 1.0d 0.37l	2
▲	6	04928	(000000–) Bushing, Flng, 0.50b 0.59d 0.38l	2
▲	7	1205133	(000000–) Pad, Stop, Rbr	1
▲	8	16879	(000000–) Screw, Flt, Soc, M6 X 1.00 X 20, 10.9	2
▲	9	08712	(000000–) Nut, Hex, Lock, M6 X 1.00, NI, Ss	2
	10	1209769	(000000–) Bellcrank, Spring, Machined	1
	11	1208208	(000000–) Spring, Cmpr, 1.25od Flat Wir 02.5l	2
	12	59668	(000000–) Pin, Clevis, 0.50d X 4.50l	1
	13	1212623	(000000–) Screw, Hex, M12 X 1.75 X 180, 8.8	1
	14	35843	(000000–) Washer, Flat, 0.53b 1.50d .19, Stl	2
	15	09741	(000000–) Nut, Hex, Lock, M12 X 1.75, NI, Ss	1
	16	1210262	(000000–) Sleeve, P/M, 0.50b 0.87d 0.6l [430ss]	4
	17	1210177	(000000–) Sleeve, P/M, Flng, 0.50b 1.25/0.75d 0.4l	2
	18	06969	(000000–) Screw, Hex, M12 X 1.75 X 40, 8.8	6
	19	1210179	(000000–) Washer, Flat, 0.50b 1.25d 0.8, Stl, PI	6
	20	222260	(000000–) Pin, Clevis, 0.37d X 2.25l	1
▽	9020251	(000000–) Plate Assy, Side, Head, Afmkt [T17]	1	
▲	22	1210630	(000000–) Bushing, Flng, 0.88b 1.0d 0.50l	1
▲	23	1210624	(000000–) Bushing, Flng, 1.25b 1.41d 0.50l	1
▽	9020253	(000000–) Plate Assy, Side, Head, Afmkt [T17]	1	
▲	25	1210630	(000000–) Bushing, Flng, 0.88b 1.0d 0.50l	1
▲	26	1210624	(000000–) Bushing, Flng, 1.25b 1.41d 0.50l	1

Fig. 16 – Scrub Head and Drive Motor Group, Disk

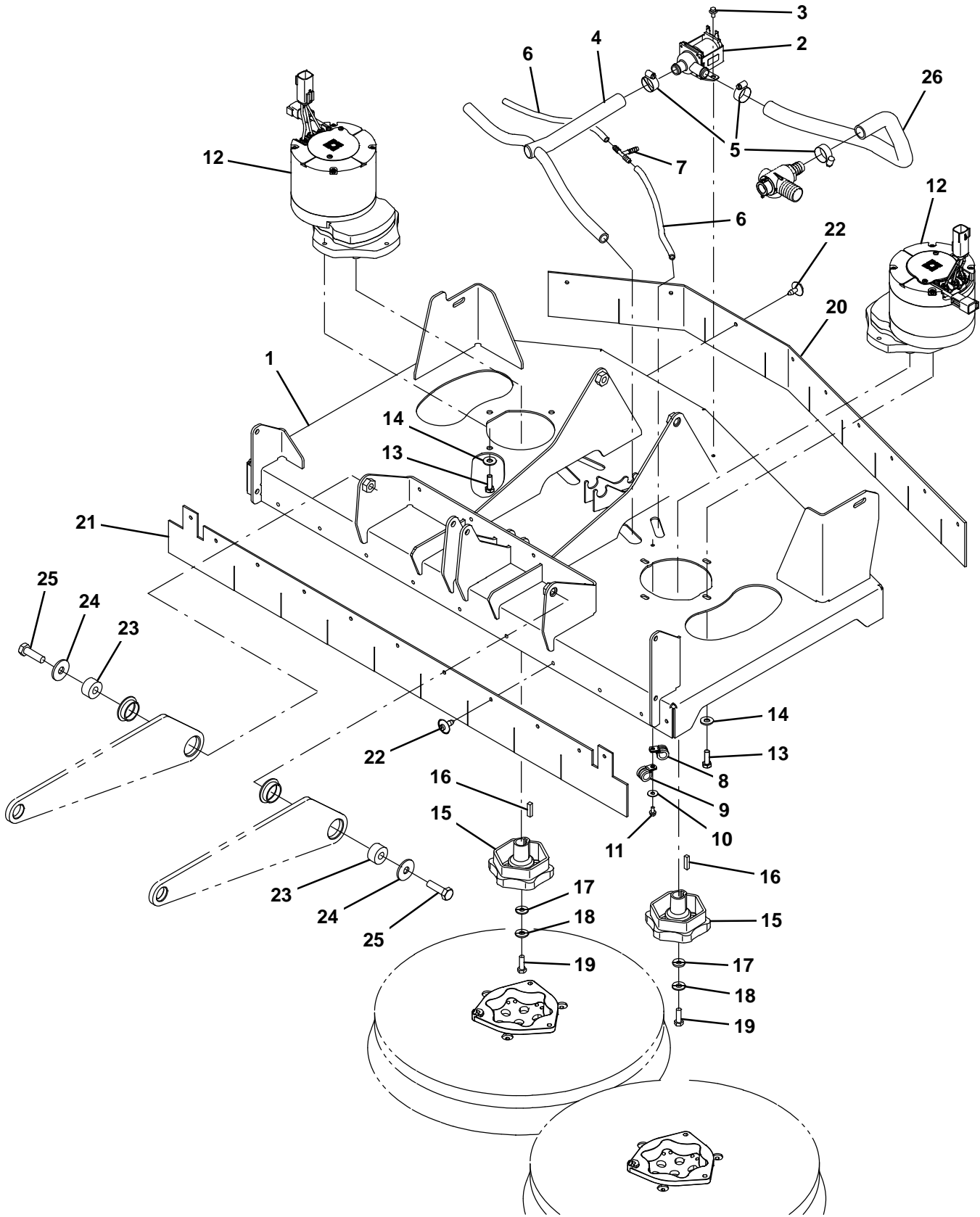


Fig. 16 – Scrub Head and Drive Motor Group, Disk

Ref.	Part No.	Serial Number	Description	Qty.
1	1213200	(000000-010999)	Head Wldt, Disk	1
1	1222545	(011000-)	Head Wldt, Disk	1
2	9016496	(000000-011669)	Valve Kit, Replacement 36V Hi Flow	1
2	1076691	(011670-)	Valve, Water, Solenoid – 36V	1
3	74455	(000000-)	Screw, Hex, M6 X 1.00 X 12, Fmg	2
4	1205131	(000000-)	Manifold, Soltn	1
5	63810	(000000-)	Clamp, Hose, Wormdrive, 0.56-1.06d, .56w	3
6	1011409	(000000-)	Hose, Afmkt, Pvc, Brd, 0.25id, 01ft	2
7	150713	(000000-)	Fitting, Plstc, Tee, Bm04/Bm04/Bm04	1
8	1016354	(000000-)	Clamp, Cable, Ss, 0.50d X 0.50w [Insul]	2
9	07471	(000000-)	Clamp, Cable, Stl, 0.75d X 0.75w, 1hole	2
10	01684	(000000-)	Washer, Flat, 0.27b 0.69d .05, Ss	2
11	222158	(000000-)	Screw, Hex, M6 X 1.00 X 10, Fmg	2
▽	9020238	(000000-)	Motor Assy, Disk, Afmkt [T17]	2
▲	1204356	(000000-)	Motor, Ele, 36vdc, 350 Rpm 1.5hp Gear	1
▲	1309010	(000000-)	Screw, Hex, M8 X 1.25 X 25, Ss	4
▲	1401685	(000000-)	Washer, Flat, 0.38b 0.88d .08, Ss	4
▲	15377364	(000000-)	Hub, Drive, Brush, Disk, 0.75b [6t]	1
▲	1600928	(000000-)	Key, Sq, 0.25 X 0.25, 1.00l	1
▲	1741186	(000000-)	Washer, Flat, Belleville, .31	1
▲	1801686	(000000-)	Washer, Flat, 0.44b 1.00d .08, Ss	1
▲	1909010	(000000-)	Screw, Hex, M8 X 1.25 X 25, Ss	1
▽	9020242	(000000-)	Skirt Kit, Disk, Afmkt [T17]	1
▲	201204458	(000000-)	Skirt, Rbr, Rear	1
▲	211204460	(000000-)	Skirt, Rbr, Front	1
▲	2272968	(000000-)	Rivet, Plstc, .250d X 0.90	20
	231210660	(000000-)	Pivot, Lift	2
	241210667	(000000-)	Washer, Flat, 0.5b 1.5d .12, Stl, Pl	2
	2506969	(000000-)	Screw, Hex, M12 X 1.75 X 40, 8.8	2
	261045041	(000000-)	Hose, Afmkt, Pvc, Wir, 0.75 Id, 03Ft, Clr	1

Fig. 17 – Scrub Head Frame Group, Cylindrical

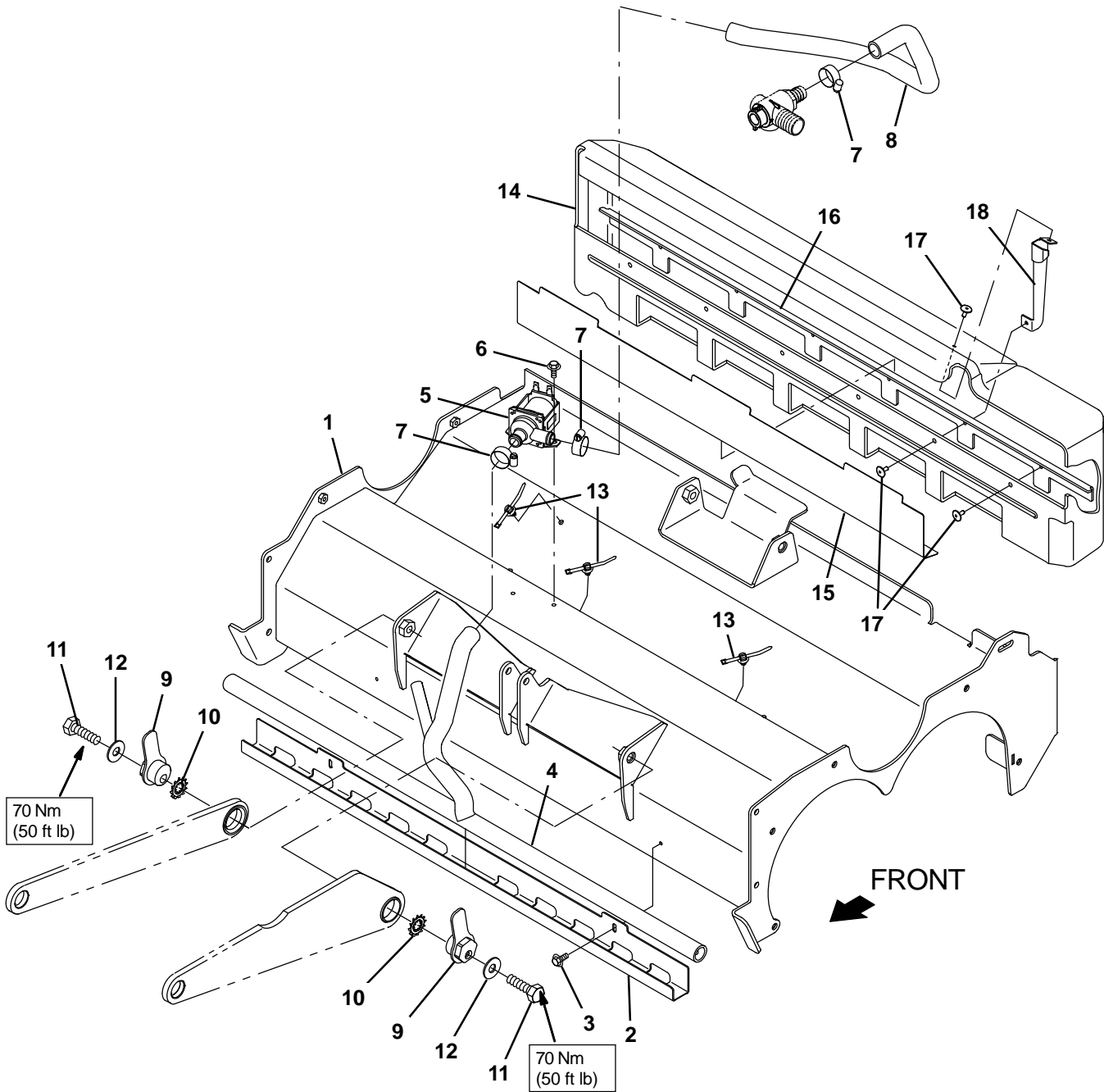


Fig. 17 – Scrub Head Frame Group, Cylindrical

Ref.	Part No.	Serial Number	Description	Qty.	
1	1213161	(000000–) Housing Wldt, Scb, Cyl	1	
2	1205011	(000000–) Clamp Bracket, Distribution	1	
3	223198	(000000–) Screw, Hex, M5 X 0.80 X 10, Fmg	2	
4	1205010	(000000–) Manifold, Bar, Spray	1	
5	9016496	(000000–011669) Valve Kit, Replacement 36V Hi Flow	1	
5	1076691	(011670–) Valve, Water, Solenoid – 36V	1	
6	74455	(000000–) Screw, Hex, M6 X 1.00 X 12, Fmg	2	
7	63810	(000000–) Clamp, Hose, Wormdrive, 0.56–1.06d, .56w	3	
8	1045041	(000000–) Hose, Afmkt, Pvc, Wir, 0.75id, 03ft, Clr	1	
9	1210618	(000000–) Pivot Wldt	2	
10	41143	(000000–) Washer, Lock, Int–Ext, 0.50	2	
11	06971	(000000–) Screw, Hex, M12 X 1.75 X 50, 8.8	2	
12	1210179	(000000–) Washer, Flat, 0.50b 1.25d 0.8, Stl, Pl	2	
13	1210807	(000000–) Wire, Tie [W/.25" Fir Tree Clip]	3	
▽	9020215	(000000–) Tray Kit, Debris, Cyl, Afmkt [T17]	1	
▲	14	1207108	(000000–) Hopper, Debris, Trimmed	1
▲	15	1207126	(000000–) Angle, Stl, Perforated .03	1
▲	16	1207127	(000000–) Lip, Tray, Debris	1
▲	17	68567	(000000–) Rivet, Blind, .188d X 0.53 X .62d, Alm	7
▲	18	1227455	(000000–) Bracket, Sppt, Debris Tray [T17/M17]	1

Fig. 18 – Scrub Head Drive Motors Group, Cylindrical

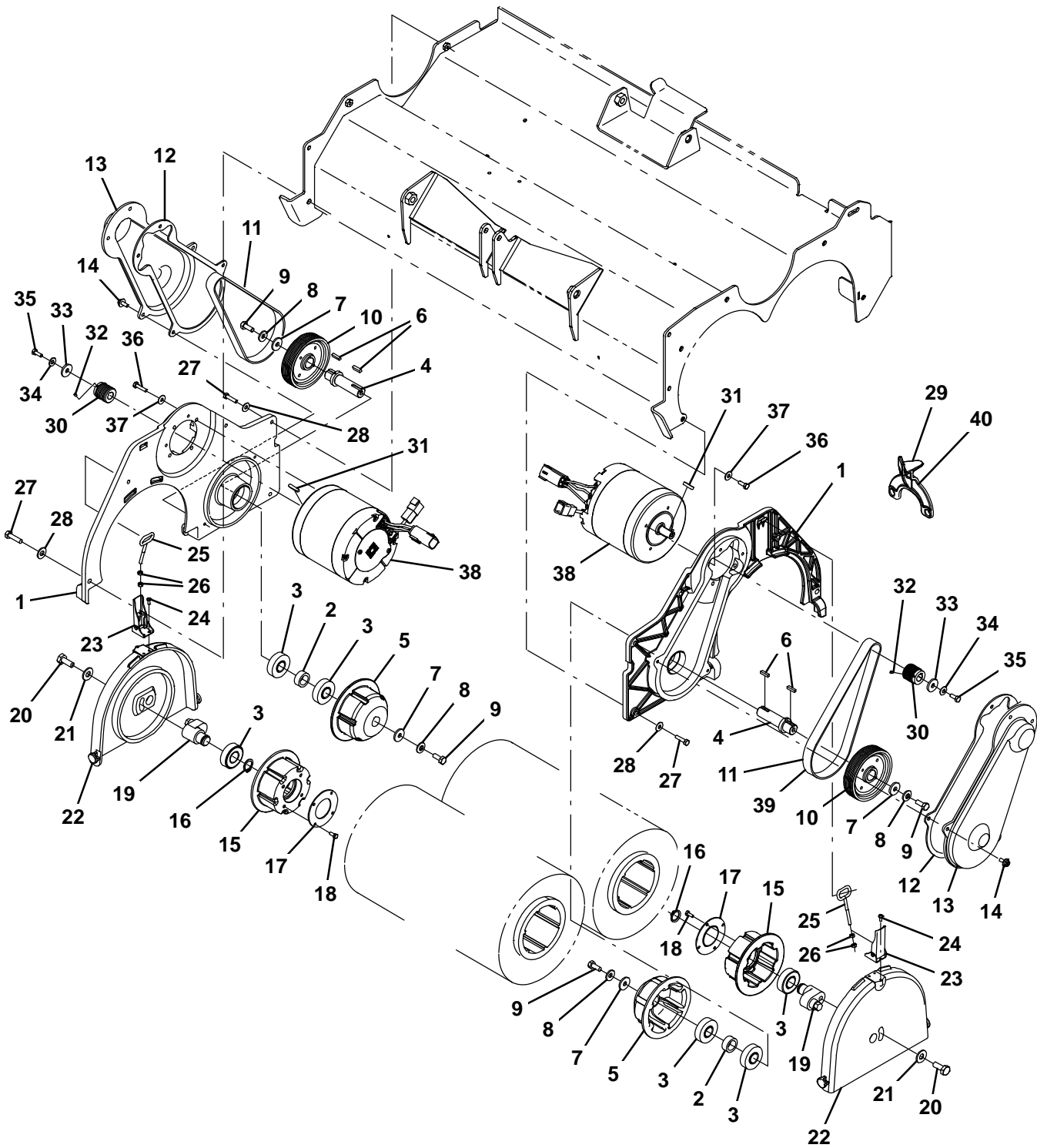


Fig. 18 – Scrub Head Drive Motors Group, Cylindrical

Ref.	Part No.	Serial Number	Description	Qty.
▽	9020235	(000000–) Panel Assy, Cyl, Afmkt [T17]	2
▲	1 1204637	(000000–) Plate, Side, Wrap	1
▲	2 1204634	(000000–) Spacer, Brg	1
▲	3 46390	(000000–) Bearing, Ball, 0.79b 1.85d 0.55w	3
▲	4 1204643	(000000–) Shaft, Drive, Brush	1
▲	5 1204881	(000000–) Plug, Drive, Brush	1
▲	6 00911	(000000–) Key, Sq, 0.19 X 0.19, 0.75l	2
▲	7 1017218	(000000–) Washer, Flat, 0.32b 1.00d .12, Ss	2
▲	8 41186	(000000–) Washer, Flat, Belleville, .31	2
▲	9 12273	(000000–) Screw, Hex, M8 X 1.25 X 20, NI, Ss	2
▲	10 1204639	(000000–) Sheave, 09grv, 4.13pd 0.75b [Pj]	1
▲	11 1204640	(000000–) Belt Kit, Drive	1
▲▽	9020245	(000000–) Cover Kit, Belt, Cyl, Afmkt [T7] (2 Kits Required)	1
▲▲	12 1204880	(000000–) Gasket, Belt, Cover	1
▲▲	13 1204642	(000000–) Cover, Belt	1
▲▲	14 1034731	(000000–) Screw, Hex, M6 X 1.00 X 16, Ss, Sems	4
▲▽	9020240	(000000–) Door Assy, Idler, Cyl, Afmkt [T17] (2 Kits Required)	2
▲▲	15 1204790	(000000–) Plug, Idler, Brush	1
▲▲	16 26428	(000000–) Ring, Retaining, Ext, 0.75d, Hd	1
▲▲	17 1056838	(000000–) Retainer, Brg, Iron Gray	1
▲▲	18 09738	(000000–) Screw, Hex, M5 X 0.80 X 12, Ss	4
▲▲	19 1204791	(000000–) Cam, Adj, Brush	1
▲▲	20 09028	(000000–) Screw, Hex, M10 X 1.50 X 25, Ss	1
▲▲	21 01686	(000000–) Washer, Flat, 0.44b 1.00d .08, Ss	1
▲▲	22 1204441	(000000–) Cover, Plug, Idler	1
▲▲	23 1066397	(000000–) Latch	1
▲▲	24 49697	(000000–) Screw, Pan, Phl, M4 X 0.70 X 10, Ss	3
▲▲	25 386274	(000000–) Hook Wldt, Latch	1
▲▲	26 50335	(000000–) Nut, Hex, Std, M5 X 0.80, 8	2
▲	27 09007	(000000–) Screw, Hex, M6 X 1.00 X 25, Ss	5
▲	28 01684	(000000–) Washer, Flat, 0.27b 0.69d .05, Ss	5
▲	29 1212849	(000000–) Tool, Installation, Belt	1
▽	9020239	(000000–) Motor Assy, Cyl, Afmkt [T17]	2
▲	30 1204638	(000000–) Sheave, 09grv, 1.18pd 0.55b [Pj]	1
▲	31 1014328	(000000–) Key, Sq, 05mm X 05mm, 25mml	1
▲	32 222818	(000000–) Screw, Set, Soc, 08–32 X 0.25, NI	1
▲	33 1017218	(000000–) Washer, Flat, 0.32b 1.00d .12, Ss	1
▲	34 41185	(000000–) Washer, Flat, Belleville, .25	1
▲	35 06944	(000000–) Screw, Hex, M6 X 1.00 X 16	1
▲	36 15678	(000000–) Screw, Hex, M6 X 1.00 X 16, Ss	4
▲	37 01684	(000000–) Washer, Flat, 0.27b 0.69d .05, Ss	4
▲	38 1204357	(000000–) Motor, Ele, 36vdc, 1750 Rpm 1.5hp	1
▽	9020237	(000000–) Belt, Kit, Cyl, Afmkt [T17]	2
▲	39 1204640	(000000–) Belt, Drive	1
▲	40 1212849	(000000–) Tool, Installation, Belt	1

Fig. 19 – Scrub Head Side Squeegee Group, Right Hand

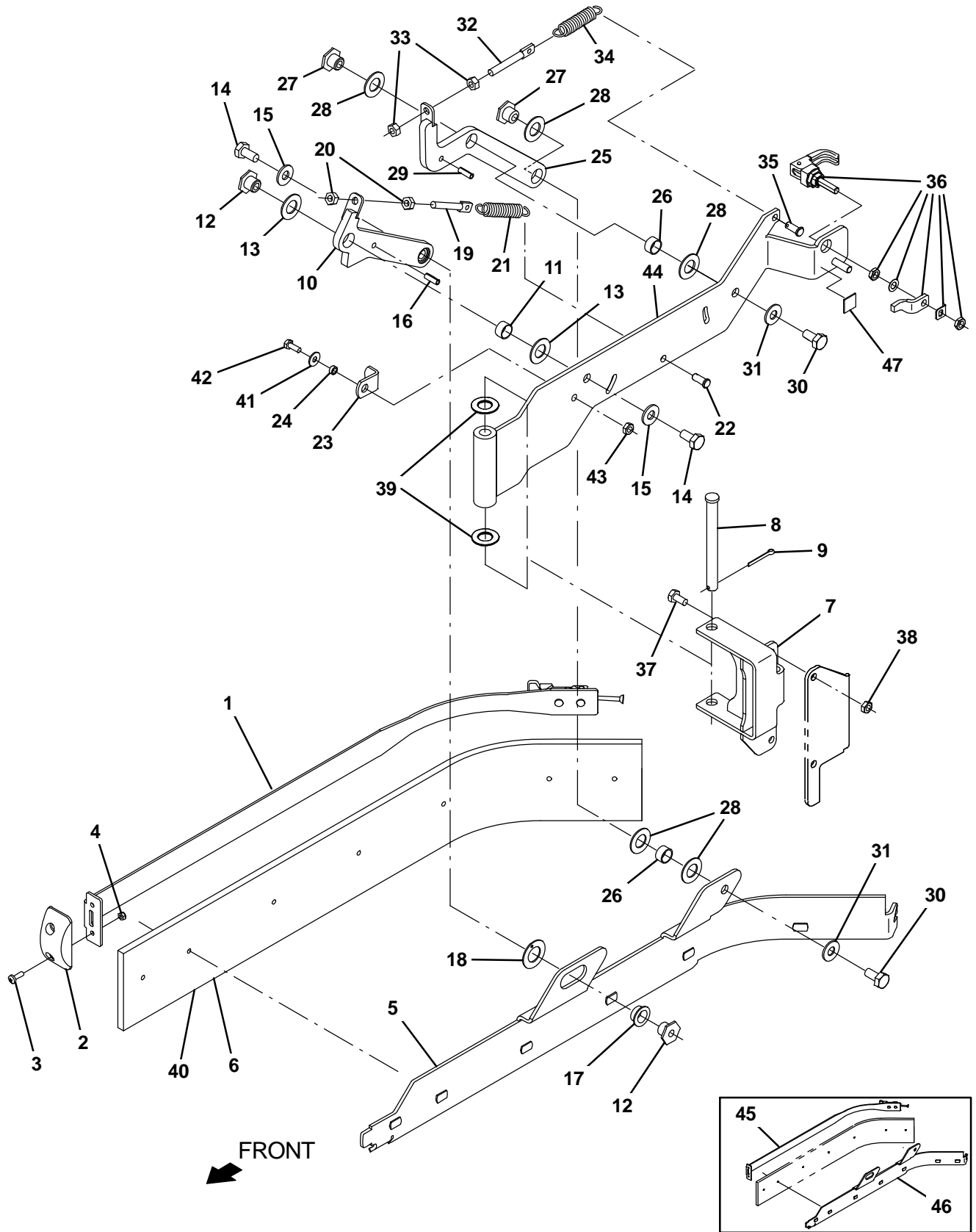


Fig. 19 – Scrub Head Side Squeegee Group, Right Hand

Ref.	Part No.	Serial Number	Description	Qty.
▽	9013756	(010468-) Squeegee Kit, Side, Rh	1
▲	1 1216949	(010468-) Retainer Assy, Side Sqge, With Latch	1
▲	2 1211884	(010468-) Guide, Sqge, Side	1
▲	3 1045487	(010468-) Screw, Pan, Phl, M5 X 0.80 X 16, Blk	2
▲	4 09739	(010468-) Nut, Hex, Lock, M5 X 0.80, NI, Ss	2
▲	5 1216950	(010468-) Holder Wldt, blade, Rh	1
▲	6 1213211	(000000-) Blade, Sqge, Side, Linatex	1
	7 1213093	(000000-) Bracket Wldt, Pivot, Sqge	1
	8 51538	(000000-) Pin, Clevis, 0.50d X 5.00l	1
	9 08236	(000000-) Pin, Cotter, .156 X 1.25	1
▽	9020243	(000000-) Arm Kit, Sqge, Front, Rh, Afmkt	1
▲	10 1213061	(000000-) Arm Wldt, Front, Rh	1
▲	11 71607	(000000-) Bushing, Sleeve, 0.63b 0.72d 0.38l	1
▲	12 1022846	(000000-) Nut, T, M10 X 1.50 X 15.80od X 13.0l	2
▲	13 64425	(000000-) Washer, Thrust, 0.61b 1.25d .06, Fgl	2
▲	14 09291	(000000-) Screw, Hex, M10 X 1.50 X 20, Ss	2
▲	15 01686	(000000-) Washer, Flat, 0.44b 1.00d .08, Ss	2
▲	16 17404	(000000-) Pin, Roll, .250d X 0.75l, .250/.256	1
▲	17 25735	(000000-) Bushing, Flng, 0.63b 0.75d 0.38l	1
▲	18 04846	(000000-) Washer, Thrust, 0.79b 1.42d 0.06[Garlok]	1
▲	19 386088	(000000-) Bolt, Eye, M8 X 1.25 X 070mm, 05.50 Eye	1
▲	20 07786	(000000-) Nut, Hex, Std, M8 X 1.25, Ss	2
▲	21 363469	(000000-) Spring, Extn, 0.75od 0.10wir 03.0l	1
▲	22 10120	(000000-) Clevis, 0.31d X 0.75l	1
▲	23 386391	(000000-) Bracket, Latch, Dbl Scb, Sqge, Side	1
	24 80491	(000000-) Sleeve, P/M, 0.25b 0.38d 0.2l [430ss]	1
▽	9020244	(000000-) Arm Kit, Sqge, Rear, Rh, Afmkt	1
▲	25 1213060	(000000-) Arm Wldt, Rear, Rh	1
▲	26 71607	(000000-) Bushing, Sleeve, 0.63b 0.72d 0.38l	2
▲	27 1022846	(000000-) Nut, T, M10 X 1.50 X 15.80od X 13.0l	2
▲	28 64425	(000000-) Washer, Thrust, 0.61b 1.25d .06, Fgl	5
▲	29 17404	(000000-) Pin, Roll, .250d X 0.75l, .250/.256	1
▲	30 09291	(000000-) Screw, Hex, M10 X 1.50 X 20, Ss	2
▲	31 01686	(000000-) Washer, Flat, 0.44b 1.00d .08, Ss	2
▲	32 386088	(000000-) Bolt, Eye, M8 X 1.25 X 070mm, 05.50 Eye	1
▲	33 07786	(000000-) Nut, Hex, Std, M8 X 1.25, Ss	2
▲	34 363469	(000000-) Spring, Extn, 0.75od 0.10wir 03.0l	1
▲	35 10120	(000000-) Clevis, 0.31d X 0.75l	1
▲	36 1065134	(000000-) Latch, Cmpr, Yel Grip	1
	37 16735	(000000-) Screw, Hex, M8 X 1.25 X 16, 8.8	2
	38 08713	(000000-) Nut, Hex, Lock, M8 X 1.25, NI, Ss	2
	39 64425	(000000-) Washer, Thrust, 0.61b 1.25d .06, Fgl	2
	40 1213266	(000000-) Blade, Sqge, Side, Urethane (Option)	1
	40 1213267	(000000-) Blade, Sqge, Side, Rubber (Option)	1
	41 01684	(000000-) Washer, Flat, 0.27b 0.69d .05, Ss	1
	42 15678	(000000-) Screw, Hex, M6 X 1.00 X 16, Ss	1
	43 08712	(000000-) Nut, Hex, Lock, M6 X 1.00, NI, Ss	1
	44 1213007	(000000-) Arm Wldt, Rh	1
	45 1210430	(000000-010467) Retainer Wldt, Side Sqge, With Latch (Repl by 9013756)	1
	46 1213229	(000000-010467) Holder Wldt, Blade, Rh (Repl by 9013756)	1
	47 1243007	(000000-) Gasket, Cushion, Side Squeegee Door	1

Fig. 20 – Scrub Head Side Squeegee Group, Left Hand

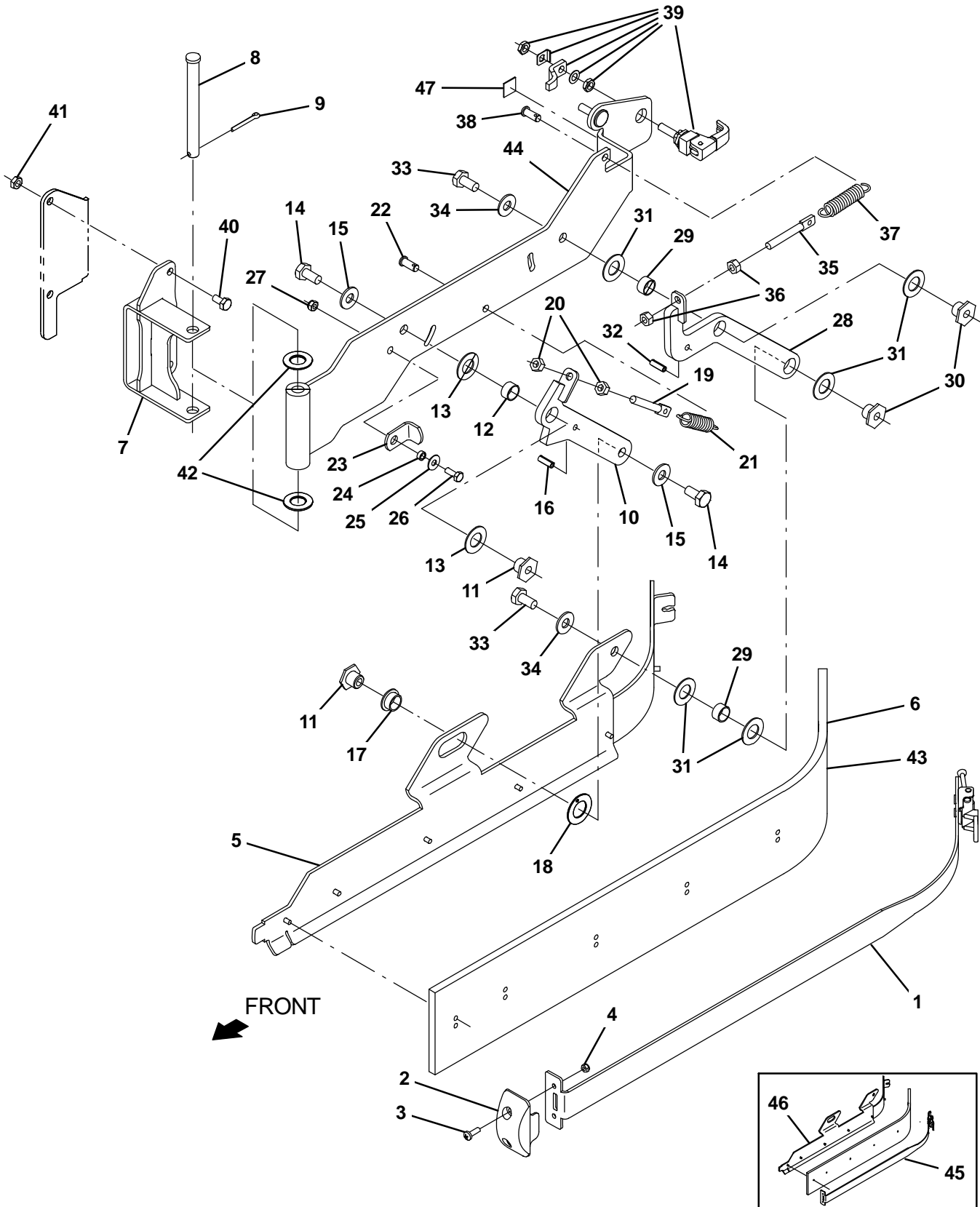


Fig. 20 – Scrub Head Side Squeegee Group, Left Hand

Ref.	Part No.	Serial Number	Description	Qty.
▽	9013757	(010468–) Squeegee Kit, Side, Lh	1
▲	1	1216949	(010468–) Retainer Assy, Side Sqge, With Latch	1
▲	2	1211884	(010468–) Guide, Sqge, Side	1
▲	3	1045487	(010468–) Screw, Pan, Phl, M5 X 0.80 X 16, Blk	2
▲	4	09739	(010468–) Nut, Hex, Lock, M5 X 0.80, NI, Ss	2
▲	5	1216951	(010468–) Holder Wldt, Blade, Lh	1
▲	6	1213211	(000000–) Blade, Sqge, Side, Linatex	1
	7	1213093	(000000–) Bracket Wldt, Pivot, Sqge	1
	8	51538	(000000–) Pin, Clevis, 0.50d X 5.00l	1
	9	08236	(000000–) Pin, Cotter, .156 X 1.25	1
▽	9013046	(000000–) Arm Kit, Sqge, Front, Lh, Afmkt	1
▲	10	1213244	(000000–) Arm Wldt, Front, Lh	2
▲	11	1022846	(000000–) Nut, T, M10 X 1.50 X 15.80od X 13.0l	1
▲	12	71607	(000000–) Bushing, Sleeve, 0.63b 0.72d 0.38l	1
▲	13	64425	(000000–) Washer, Thrust, 0.61b 1.25d .06, Fgl	2
▲	14	09291	(000000–) Screw, Hex, M10 X 1.50 X 20, Ss	2
▲	15	01686	(000000–) Washer, Flat, 0.44b 1.00d .08, Ss	2
▲	16	17404	(000000–) Pin, Roll, .250d X 0.75l, .250/.256	1
▲	17	25735	(000000–) Bushing, Flng, 0.63b 0.75d 0.38l	1
▲	18	04846	(000000–) Washer, Thrust, 0.79b 1.42d 0.06[Garlok]	1
▲	19	386088	(000000–) Bolt, Eye, M8 X 1.25 X 070mm, 05.50 Eye	1
▲	20	07786	(000000–) Nut, Hex, Std, M8 X 1.25, Ss	2
▲	21	363469	(000000–) Spring, Extn, 0.75od 0.10wir 03.0l	1
▲	22	10120	(000000–) Clevis, 0.31d X 0.75l	1
▲	23	386391	(000000–) Bracket, Latch, Dbl Scb, Sqge, Side	1
	24	80491	(000000–) Sleeve, P/M, 0.25b 0.38d 0.2l [430ss]	1
	25	01684	(000000–) Washer, Flat, 0.27b 0.69d .05, Ss	1
	26	15678	(000000–) Screw, Hex, M6 X 1.00 X 16, Ss	1
	27	08712	(000000–) Nut, Hex, Lock, M6 X 1.00, NI, Ss	1
▽	9013047	(000000–) Arm Kit, Sqge, Rear, Lh, Afmkt	1
▲	28	1213243	(000000–) Arm Wldt, Rear, Lh	1
▲	29	71607	(000000–) Bushing, Sleeve, 0.63b 0.72d 0.38l	2
▲	30	1022846	(000000–) Nut, T, M10 X 1.50 X 15.80od X 13.0l	2
▲	31	64425	(000000–) Washer, Thrust, 0.61b 1.25d .06, Fgl	5
▲	32	17404	(000000–) Pin, Roll, .250d X 0.75l, .250/.256	1
▲	33	09291	(000000–) Screw, Hex, M10 X 1.50 X 20, Ss	2
▲	34	01686	(000000–) Washer, Flat, 0.44b 1.00d .08, Ss	2
▲	35	386088	(000000–) Bolt, Eye, M8 X 1.25 X 070mm, 05.50 Eye	1
▲	36	07786	(000000–) Nut, Hex, Std, M8 X 1.25, Ss	2
▲	37	363469	(000000–) Spring, Extn, 0.75od 0.10wir 03.0l	1
▲	38	10120	(000000–) Clevis, 0.31d X 0.75l	1
	39	1065134	(000000–) Latch, Cmpr, Yel Grip	1
	40	16735	(000000–) Screw, Hex, M8 X 1.25 X 16, 8.8	2
	41	08713	(000000–) Nut, Hex, Lock, M8 X 1.25, NI, Ss	2
	42	64425	(000000–) Washer, Thrust, 0.61b 1.25d .06, Fgl	2
	43	1213266	(000000–) Blade, Sqge, Side, Urethane (Option)	1
	43	1213267	(000000–) Blade, Sqge, Side, Rubber (Option)	1
	44	1213228	(000000–) Arm Wldt, Lh	1
	45	1210430	(000000–010467) Retainer Wldt, Side Sqge, With Latch (Repl by 9013757)	1
	46	1213234	(000000–010467) Holder Wldt, Blade, Lh (Repl by 9013757)	1
	47	1243007	(000000–) Gasket, Cushion, Side Squeegee Door	1

Fig. 21 – Solution Tank Group

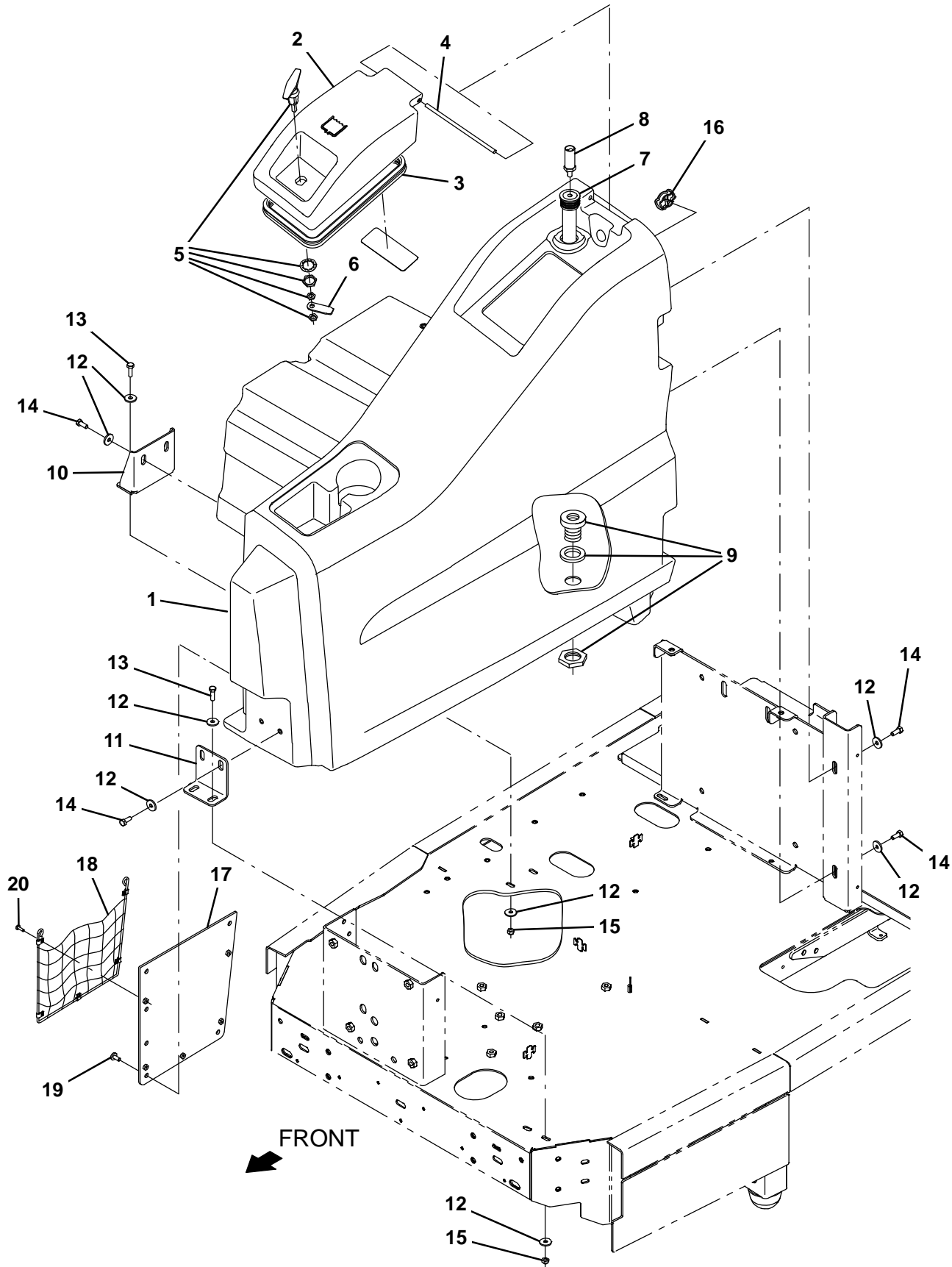


Fig. 21 – Solution Tank Group

Ref.	Part No.	Serial Number	Description	Qty.
1	9020210	(000000–) Tank, Soltn, Afmkt [T17]	1
2	9020241	(000000–) Cover Assy, Tank, Sol, Afmkt [T17]	1
2	9020284	(000000–) Cover Assy, Tank, Sol, Tj Afmkt [T17] (Japan Only)	1
3	1066431	(000000–) Seal, Afmkt, Bulb, Dual, 03ft [F/.30gap]	1
4	1060673	(000000–) Bar, Rnd, Plastic, 0.31D 08.5L	1
5	386324	(000000–) Handle	1
6	1206948	(000000–) Bracket, Pawl, Handle	1
7	1212298	(000000–) Tube Assy, 34.2l	1
8	1062651	(000000–) Sensor, Press, 3 Psi, 8–30vdc	1
9	377349	(000000–) Fitting, Plstc, Pf12/Pf12, Bh	1
10	1204114	(000000–010999) Bracket, Mtg, Tank, Soltn, Rh	1
10	1218383	(011000–) Bracket, Mtg, Tank, Soltn, Rh	1
11	1206060	(000000–) Bracket, Mtg, Tank, Soltn, Front	1
12	1017218	(000000–) Washer, Flat, 0.32b 1.00d .12, Ss	14
13	09010	(000000–) Screw, Hex, M8 X 1.25 X 25, Ss	4
14	12273	(000000–) Screw, Hex, M8 X 1.25 X 20, NI, Ss	6
15	08713	(000000–) Nut, Hex, Lock, M8 X 1.25, NI, Ss	4
16	390994	(000000–) Plug, Hole, Soltn Tank, Blk Pyu	1
17	1207229	(000000–) Plate Wldt, Mesh	1
18	1207272	(000000–) Mesh Assy, Cloth [T17]	1
19	1069311	(000000–) Screw, Pan, Phl, M8 X 1.25 X 16, Blk	4
20	1045487	(000000–) Screw, Pan, Phl, M5 X 0.80 X 16, Blk	5

Fig. 22 – Solution Supply Group

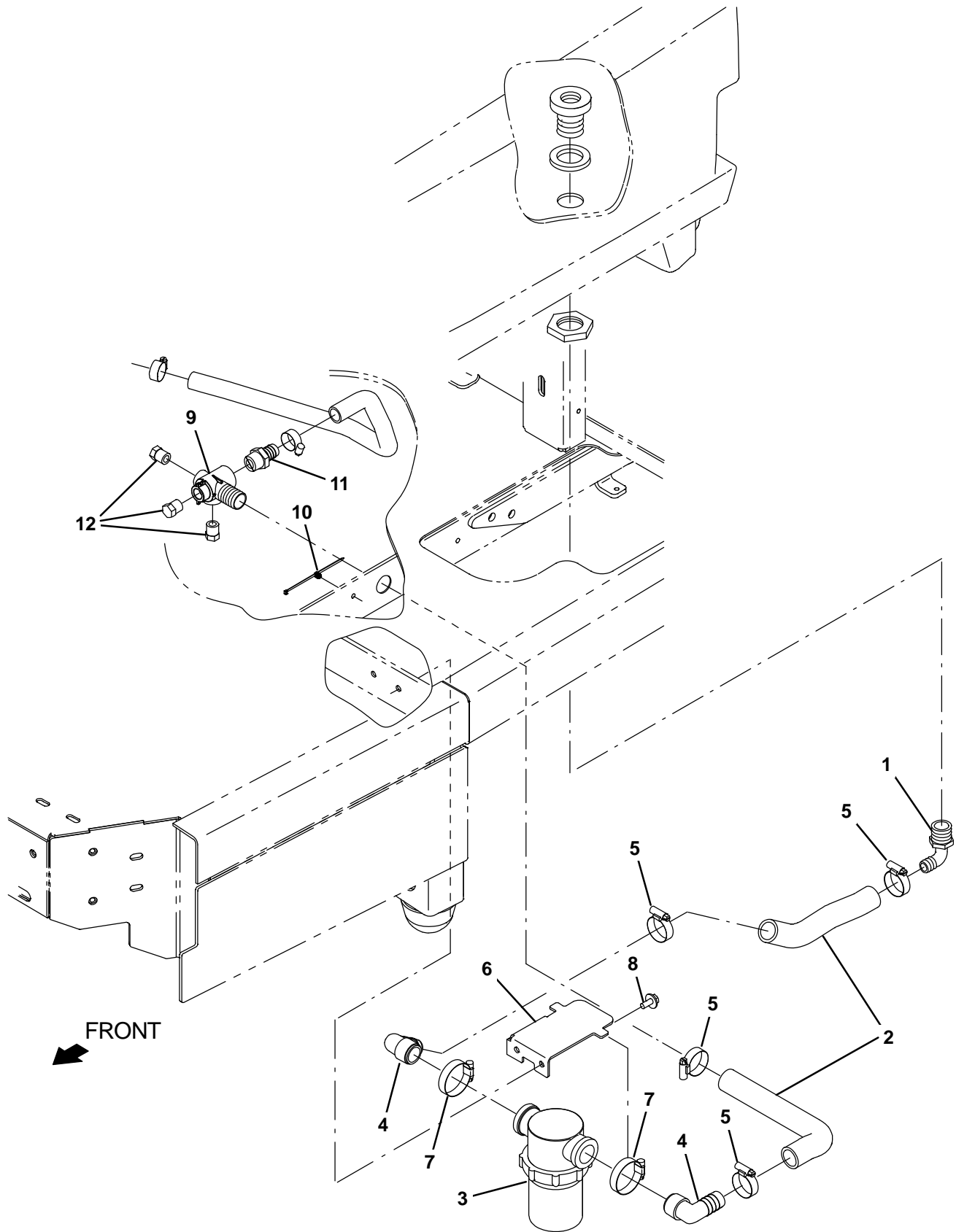


Fig. 22 – Solution Supply Group

Ref.	Part No.	Serial Number	Description	Qty.
	1	18595	(000000–) Fitting, Plstc, E90, Bm16/Pm12	1
	2	1214093	(000000–) Hose, Afmkt, Pvc, Wir, 1.00ld, 01Ft, Clr	1
▽	3	1205428	(000000–) Filter, Screen, 080 Mesh, In-Line	1
▲		9018853	(000000–) Filter Element, Water [M/T17]	1
	4	1212887	(000000–) Fitting, Plstc, E90, Bm16/Pm16	2
	5	11399	(000000–) Clamp, Hose, Wormdrive, 0.81–1.50d, .50w	4
	6	1207518	(000000–) Bracket, Mtg, Filter Hsg	1
	7	11531	(000000–) Clamp, Hose, Wormdrive, 1.06–2.00d, .56w	2
	8	1020341	(000000–) Screw, Hex, M8 X 1.25 X 20, Ss, Sems	2
	9	1208486	(000000–) Manifold, Solution Delivery, Main	1
	10	1221161	(000000–) Tie, Cable, Nyl, Push Mount, 76Mm Max D	1
	11	79273–2	(000000–) Fitting, Plstc, Str, Bm12/Pm12	1
	12	630146	(000000–) Fitting, Plug, Pm06, Hdpe	3

Fig. 23 – Recovery Tank Group

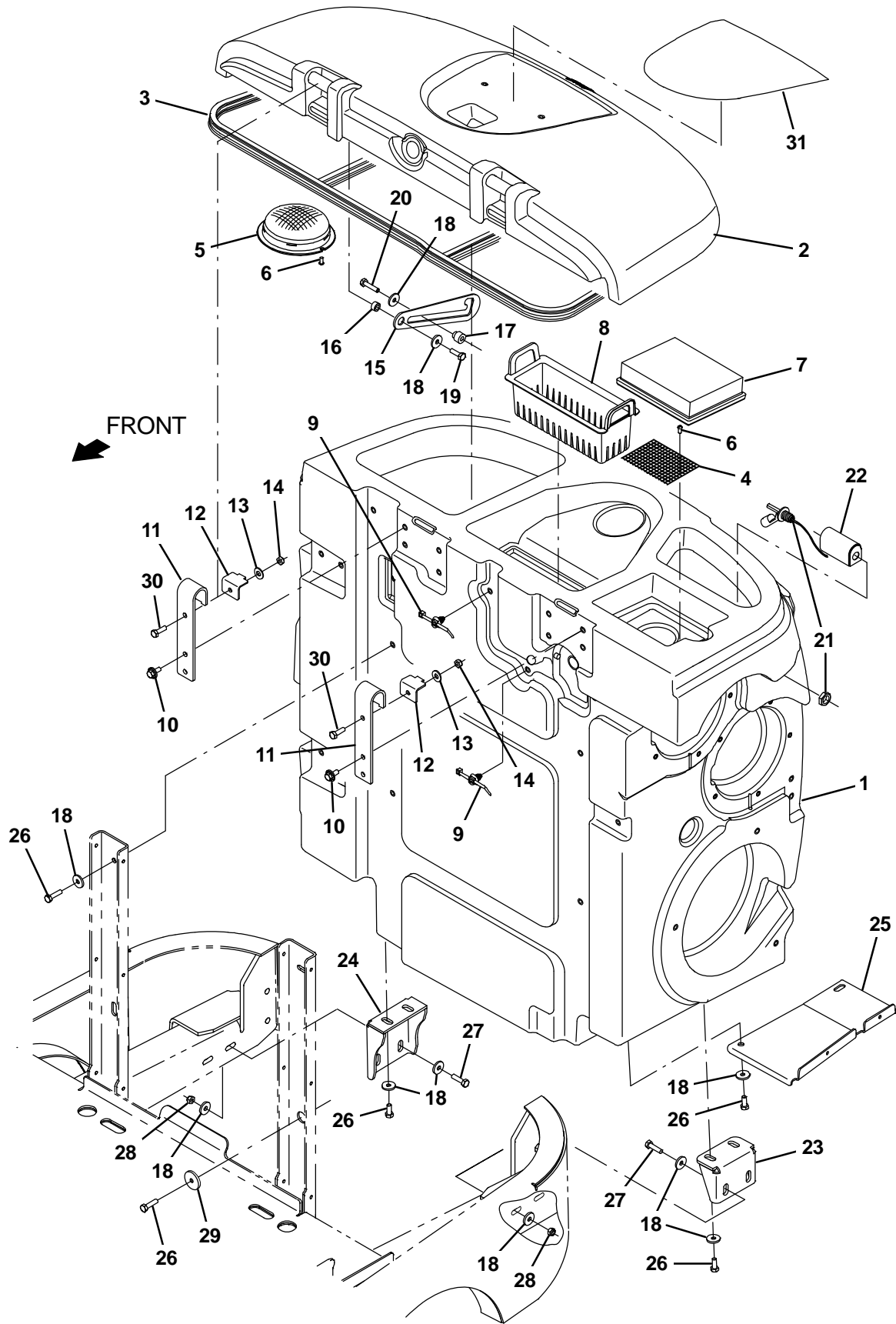


Fig. 23 – Recovery Tank Group

Ref.	Part No.	Serial Number	Description	Qty.
1	9020211	(000000–) Tank, Rec, Afmkt [T17]	1
2	9020212	(000000–) Cover Assy, Rec Tank, Afmkt [T17]	1
2	9020286	(000000–) Cover Assy, Rec Tank, Tj Afmkt [T17] (Japan Only)	1
3	1066434	(000000–) Seal, Afmkt, Bulb, Dual, 12Ft [F/.30Gap]	1
4	1207887	(000000–) Screen, Safety, Vac Fan	1
5	1026014	(000000–) Screen, Vacuum	1
6	382320	(000000–) Screw, Pan, Phl, 12–16 X 0.50, F/ Plstc	4
7	1037822	(000000–) Filter, Panl, Dust, 2.0 X 06.1 X 07.6	1
8	1206119	(000000–) Tray, Debris, Tank	1
9	1210807	(000000–) Wire, Tie [W/.25" Fir Tree Clip]	2
10	1020341	(000000–) Screw, Hex, M8 X 1.25 X 20, Ss, Sems	4
11	1206961	(000000–) Bracket, Mtg, Cover, Recvy Tank	2
12	1207130	(000000–) Bracket, Retain, Hinge, Cover	2
13	01685	(000000–) Washer, Flat, 0.38B 0.88D .08, Ss	2
14	08713	(000000–) Nut, Hex, lock, m8 X 1.25, ml, Ss	2
15	1057214	(000000–) Plate, Arm, Prop	1
16	360460	(000000–) Sleeve, P/M, 0.34b 0.63d 0.4l, Ss / Oil	1
17	230735	(000000–) Sleeve, P/M, Flng, 0.33b 0.75/0.50d 0.8l	1
18	1017218	(000000–) Washer, Flat, 0.32b 1.00d .12, Ss	19
19	12333	(000000–) Screw, Hex, M8 X 1.25 X 25, Ss, NI	1
20	59658	(000000–) Screw, Hex, M8 X 1.25 X 35, NI, Ss	1
21	385685	(000000–) Sensor, Level, Liq, 14vdc 01a .62–11	1
22	1019285	(000000–) Bracket, Protector, Float Switch	1
23	1205049	(000000–) Bracket, Mtg, Tank, Recvy, Lh	1
24	1205797	(000000–) Bracket, Mtg, Tank, Recvy, Rh	1
25	1207209	(000000–) Bracket, Sppt, Hose, Drain	1
26	12273	(000000–) Screw, Hex, M8 X 1.25 X 20, NI, Ss	10
27	09011	(000000–) Screw, Hex, M8 X 1.25 X 30, Ss	4
28	08713	(000000–) Nut, Hex, Lock, M8 X 1.25, NI, Ss	4
29	379829	(000000–) Washer, Flat, 0.34b 1.50d .12, Stl, PI	1
30	09010	(000000–) Screw, Hex, M8 X 1.25 X 25, Ss	2
31	1213110	(000000–) Label, Hole, Cover, Recvy Tank	1

Fig. 24 - Tank Drains Group

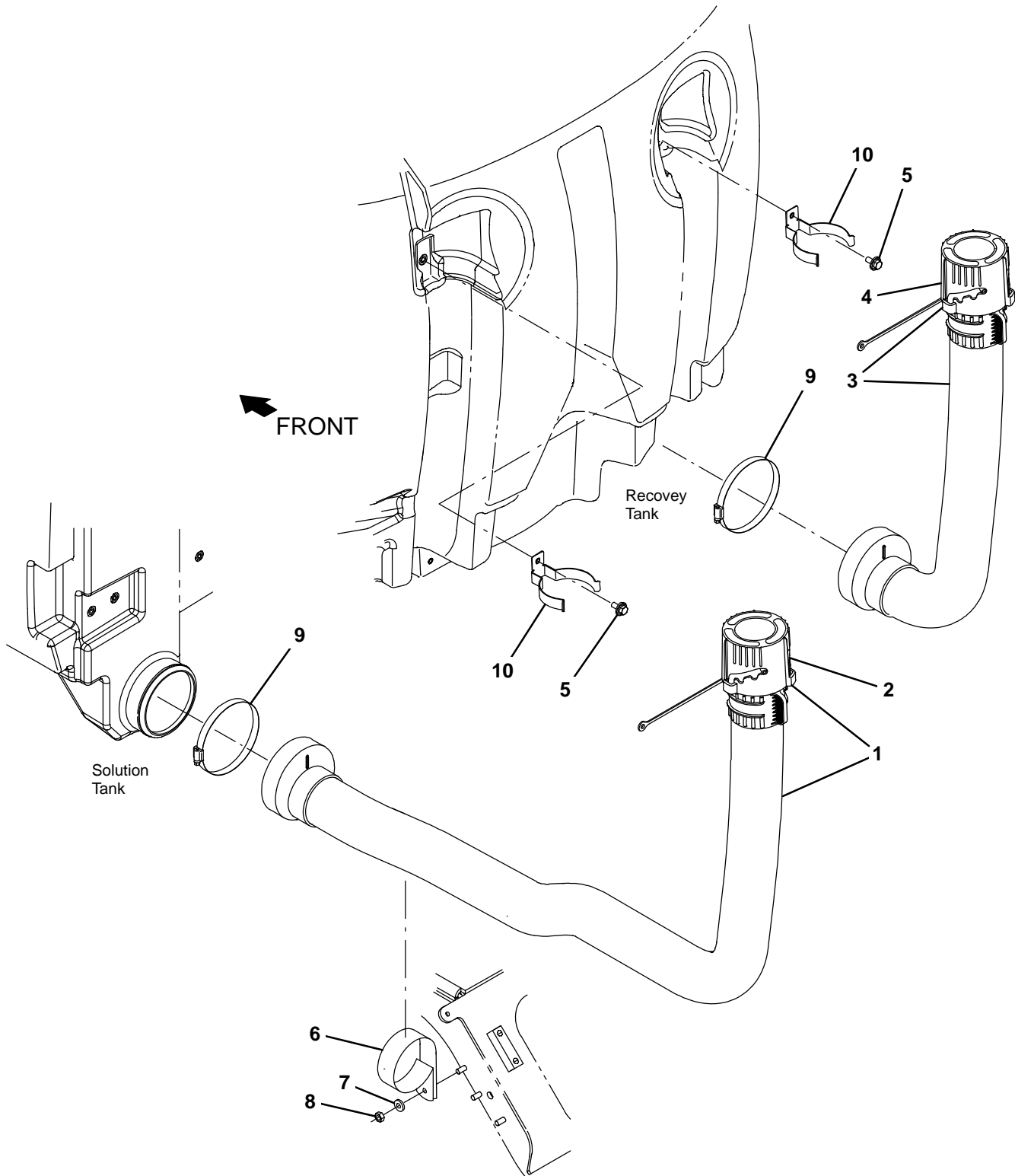


Fig. 24 – Tank Drains Group

	Ref.	Part No.	Serial Number	Description	Qty.
▽	1	1206099	(000000–012999)	Hose Assy, Drain, 3.0 Id 64 L	1
▲	2	1214337	(000000–012999)	Cuff Assy, Outer, Drain Hose	1
▽	1	1239902	(013000–)	Hose Assy, Drain, 3.0 Id 65 L	1
▲	2	1214337	(013000–)	Cuff Assy, Outer, Drain Hose	1
▽	3	1206370	(000000–)	Hose Assy, Drain, 3.0 Id 35 L	1
▲	4	1214337	(000000–)	Cuff Assy, Outer, Drain Hose	1
	5	1020341	(000000–)	Screw, Hex, M8 X 1.25 X 20, Ss, Sems	2
	6	1207562	(000000–)	Clamp, Cable, Stl, 3.25d X 1.00w, 1hole	1
	7	01685	(000000–)	Washer, Flat, 0.38b 0.88d .08, Ss	1
	8	08713	(000000–)	Nut, Hex, Lock, M8 X 1.25, NI, Ss	1
	9	1201434	(000000–)	Clamp, Hose, Wormdrive, 4.63–5.50, 0.5w	2
	10	1209684	(000000–)	Bracket, Mtg, Hose	2

Fig. 25 – Vacuum Fans and Rear Side Door Group

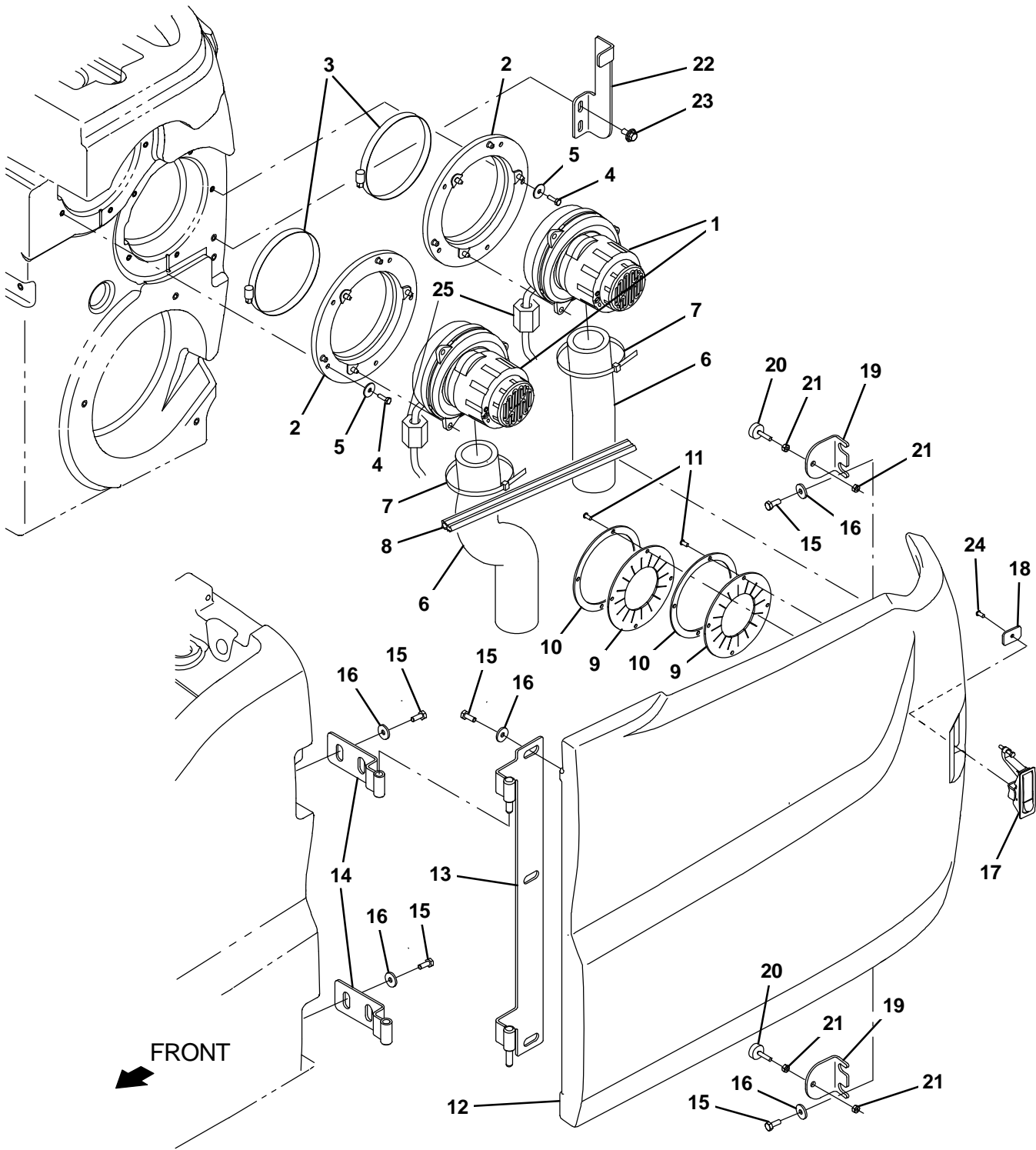


Fig. 25 - Vacuum Fans and Rear Side Door Group

Ref.	Part No.	Serial Number	Description	Qty.
▽	1	1200149	(000000-) Fan, Vacuum, 6.6d, 036vdc, 1 Stage [Bpt]	2
▲		1206774	(000000-) Brush Kit, Motor, Fan	1
	2	1201267	(000000-) Assy, Seal, Mtg, Vacfan	2
	3	49891	(000000-) Clamp, Hose, Wormdrive, 5.56-6.50d, .56w	2
	4	08716	(000000-) Screw, Hex, M6 X 1.00 X 20, Ss	10
	5	29570	(000000-) Washer, Flat, 0.28b 1.00d .06, Stl	10
	6	1203848	(000000-) Muffler, Vacfan, 11.0 L	2
	7	130773	(000000-) Tie, Cable, Nyl, 11.0l, .14w, 3.0 Max. D	2
	8	1066431	(000000-) Seal, Afmkt, Bulb, Dual, 03ft [F/.30gap]	1
	9	1214173	(000000-) Seal, Door, Vac Fan, Rbr	2
	10	1214174	(000000-) Retainer, Seal, Door, Vac Fan	2
	11	382320	(000000-) Screw, Pan, Phl, 12-16 X 0.50, F/ Plstc	8
	12	9020218	(000000-012999) Cover, Side, Lh, Afmkt [T17]	1
	12	9018977	(013000-) Cover, Side, Lh, Afmkt [T/M17]	1
	13	1205801	(000000-) Hinge, Wldt, Lh	1
	14	1205811	(000000-) Hinge Wldt, [T12]	2
	15	15675	(000000-) Screw, Hex, M8 X 1.25 X 16, Ss	11
	16	32492	(000000-) Washer, Flat, 0.38, Std	11
	17	398806	(000000-) Latch	1
	18	1208748	(000000-) Plate, Latch [T17]	1
	19	1207039	(000000-) Bracket, Bumper	2
	20	20802	(000000-) Bumper, Rbr, 1.0d 0.38th .25-20	2
	21	19312	(000000-) Nut, Hex, Std, .25-20	4
	22	1207341	(000000-) Bracket, Latch, Lh Panel [T17]	1
	23	1020341	(000000-) Screw, Hex, M8 X 1.25 X 20, Ss, Sems	2
	24	06933	(000000-) Screw, Pan, Phl, M5 X 0.80 X 16, 4.8	1
	25	1052126	(000000-) Inductor, 12.7mmid [156 Imp at 25Mhz] (Europe, Australia, Canada Only)	2

Fig. 26 - Rear Squeegee Lift Group

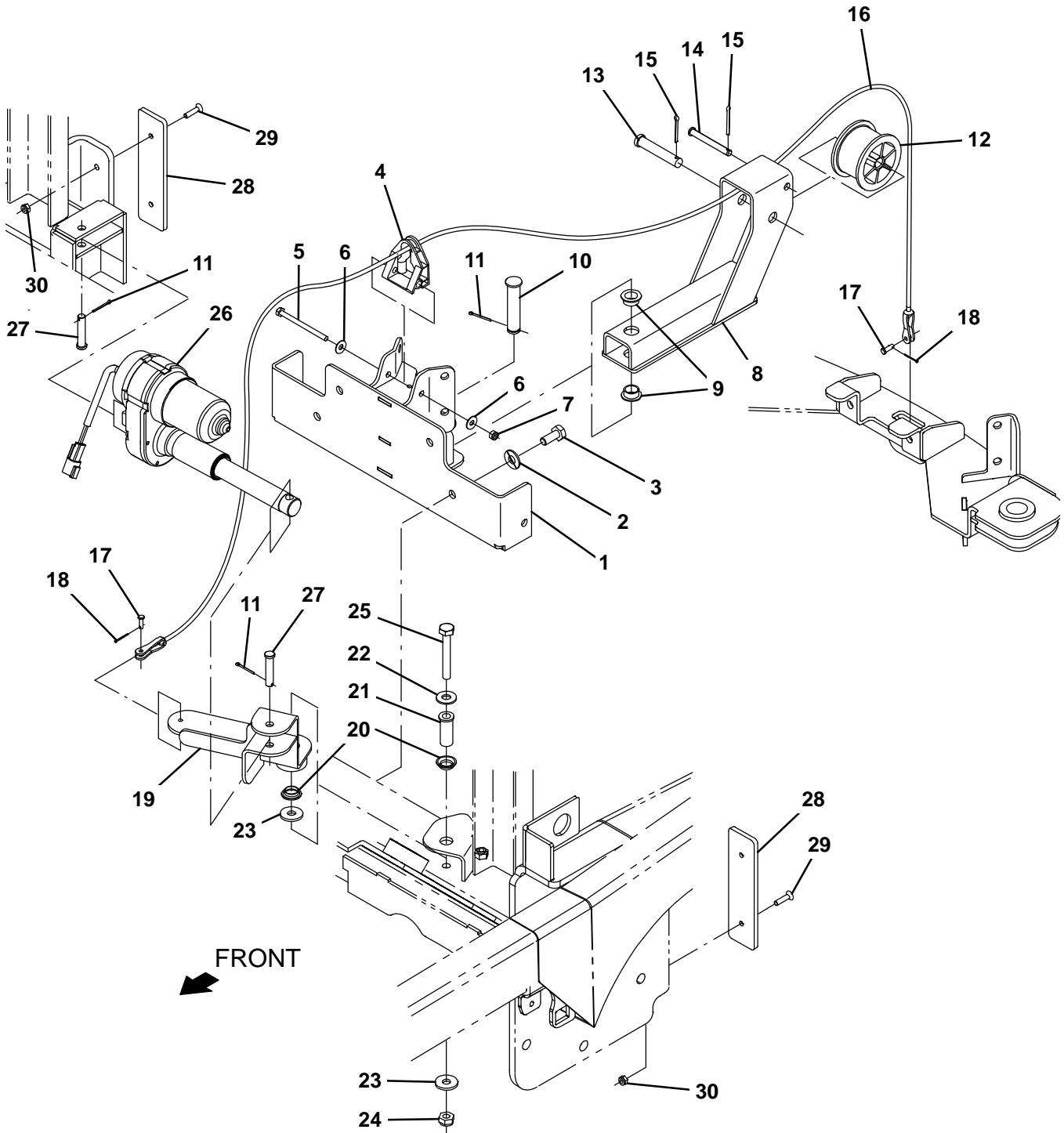


Fig. 26 – Rear Squeegee Lift Group

Ref.	Part No.	Serial Number	Description	Qty.
1	1207903	(000000–)	Bracket Wldt, Sqge Lift, Frame	1
2	01686	(000000–)	Washer, Flat, 0.44b 1.00d .08, Ss	4
3	09770	(000000–)	Screw, Hex, M10 X 1.50 X 25, NI, Ss	4
4	1208274	(000000–)	Guide, Cable, Sqge Lift	1
5	391434	(000000–)	Screw, Hex, M6 X 1.00 X 80, Ss	1
6	01684	(000000–)	Washer, Flat, 0.27b 0.69d .05, Ss	2
7	08712	(000000–)	Nut, Hex, Lock, M6 X 1.00, NI, Ss	1
8	1205553	(000000–)	Lift Wldt, Sqge, Pulley	1
9	25735	(000000–)	Bushing, Flng, 0.63b 0.75d 0.38l	2
10	1018276	(000000–)	Pin, Clevis, 0.62d X 2.91l	1
11	08179	(000000–)	Pin, Cotter, .094 X 1.00	3
12	223054	(000000–)	Drum, Cable, Lift	1
13	51103	(000000–)	Pin, Clevis, 0.50d X 2.62l	1
14	71274	(000000–)	Pin, Clevis, 0.31d X 2.62l	1
15	08175	(000000–)	Pin, Cotter, .125 X 1.25	2
16	1207739	(000000–)	Cable, Ss .12d 22.6l .2clevis / .2clevis	1
17	77488	(000000–)	Pin, Clevis, 0.19d X 0.63l	2
18	08178	(000000–)	Pin, Cotter, .062 X 0.75	2
19	1207466	(000000–)	Lever Wldt, Sqge Lift, Pulley	1
20	04843	(000000–)	Bushing, Flng, 0.63b 0.72d 0.25l	2
21	1208247	(000000–)	Bushing, Sleeve, Flng 0.40b 0.625d 1.62l, Ss	1
22	01686	(000000–)	Washer, Flat, 0.44b 1.00d .08, Ss	1
23	1014563	(000000–)	Washer, Flat, 0.40b 1.12d .12, Ss	2
24	08714	(000000–)	Nut, Hex, Lock, M10 X 1.5, NI, Ss	1
25	14529	(000000–)	Screw, Hex, M10 X 1.50 X 70, Ss	1
26	1206872	(000000–)	Actuator, 36v, 2.36in Stroke	1
27	17461	(000000–)	Pin, Clevis, 0.37d X 1.75l	2
28	1207757	(000000–)	Shield, Bumper, Sqge Cplg	2
29	06415	(000000–)	Screw, Flt, Soc, M6 X 1.00 X 25, 10.9	4
30	08708	(000000–)	Nut, Hex, Lock, M6 X 1.00, NI	4

Fig. 27 – Rear Squeegee Linkage Group

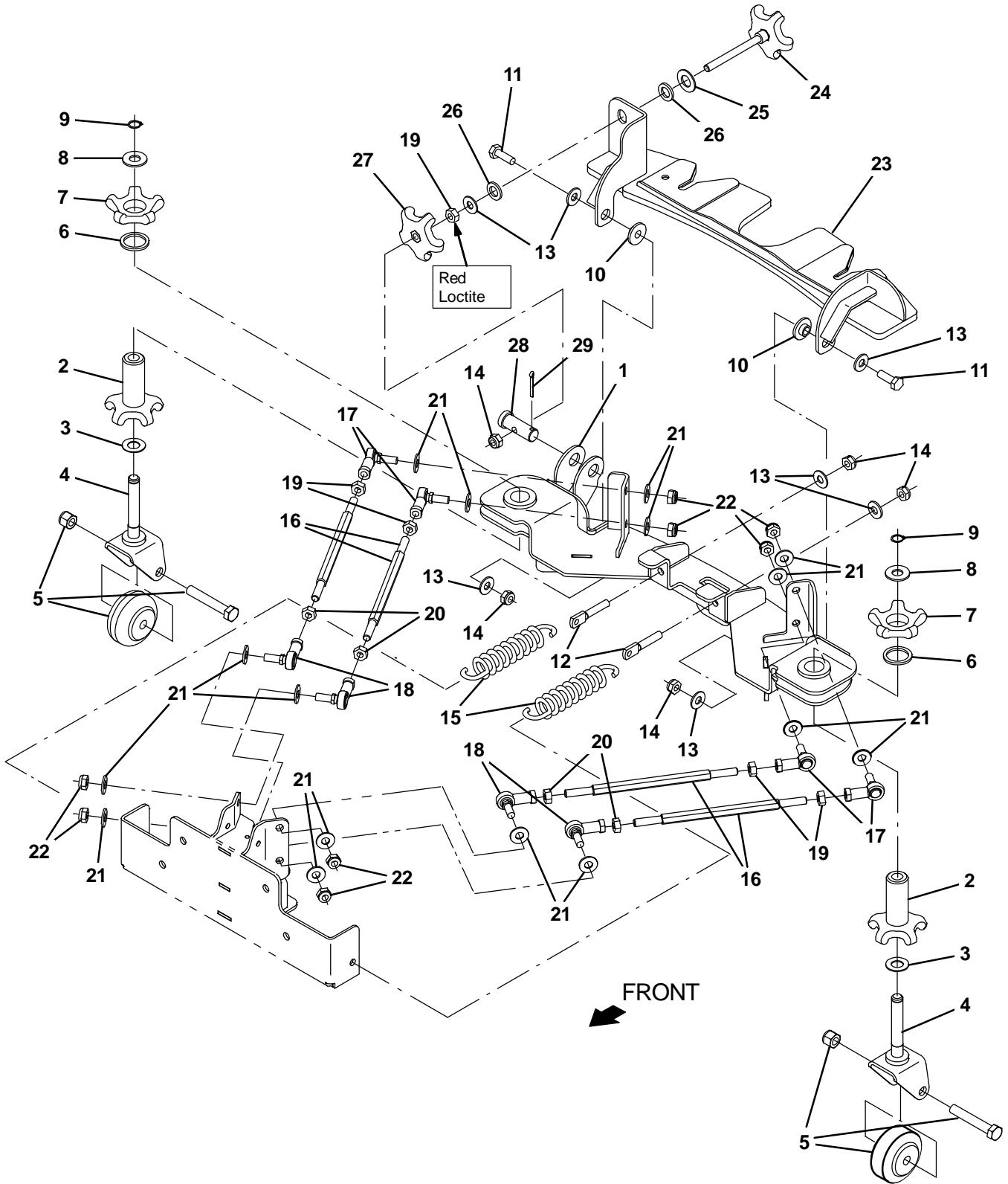


Fig. 27 – Rear Squeegee Linkage Group

Ref.	Part No.	Serial Number	Description	Qty.
	1	1206821	(000000–) Coupling Wldt, Sqge, Front	1
▽	9020233	(000000–)	Caster, Assy, Sq, Rear, Afmkt [T17]	2
▲	2	1208155	(000000–) Knob, Adj, Caster	1
▲	3	07450	(000000–) Washer, Thrust, 0.66b 1.25d 0.06w	1
▲	4	1208153	(000000–) Pivot Wldt, Caster, Sqge	1
▲	5	9014285	(000000–) Caster Kit, Rear Squeegee, Am	1
▲	6	79217	(000000–) Washer, Wavy, 1.20b 1.54d .13	1
▲	7	1208156	(000000–) Knob, Caster	1
	8	77272	(000000–) Washer, Flat, 0.60b 1.31d .10, Ss	2
	9	01516	(000000–) Ring, Retaining, Ext, 0.59d, Basic	2
	10	363087	(000000–) Bushing, Fng, 0.44b 1.25d 0.25l	2
	11	12317	(000000–) Screw, Hex, M10 X 1.50 X 30, Ss	2
	12	386847	(000000–) Bolt, Eye, M10 X 1.50 X 064mm, 07.10 Eye	2
	13	01686	(000000–) Washer, Flat, 0.44b 1.00d .08, Ss	7
	14	08714	(000000–) Nut, Hex, Lock, M10 X 1.5, NI, Ss	5
	15	1031413	(000000–) Spring, Extn, 1.68od 0.20wir 07.5l	2
▽	9020232	(000000–)	Link Kit, Sq, Rear, 1 Link, Afmkt [T17]	4
▲	16	1209712	(000000–) Rod, Hex, M10, 09.50l, Stl	1
▲	17	05686	(000000–) Rod–End, M10 X 1.5rh Fem M10 X 1.5stud	1
▲	18	05685	(000000–) Rod–End, M10 X 1.5lh Fem M10 X 1.5stud	1
▲	19	07787	(000000–) Nut, Hex, Std, M10 X 1.50, Ss	1
▲	20	09775	(000000–) Nut, Hex, Std, M10–1.5 , Ss	1
▲	21	01686	(000000–) Washer, Flat, 0.44b 1.00d .08, Ss	4
▲	22	08714	(000000–) Nut, Hex, Lock, M10 X 1.5, NI, Ss	2
	23	1206844	(000000–) Coupling Wldt, Sqge, Rear	1
	24	1206865	(000000–) Knob, Star, 3.21d 5ear 4.45l M10x1.5	1
	25	15331	(000000–) Washer, Flat, 0.62, Sae	1
	26	1210022	(000000–) Washer, 1.02 Od, .62 Id, Urethane	2
	27	1054945	(000000–) Knob, Star, 3.21d 5ear M10	1
	28	1207034	(000000–) Pin, Clevis, 0.75d X 2.00l, M10 Hole	1
	29	08236	(000000–) Pin, Cotter, .156 X 1.25	1

Fig. 28 – Rear Squeegee Group

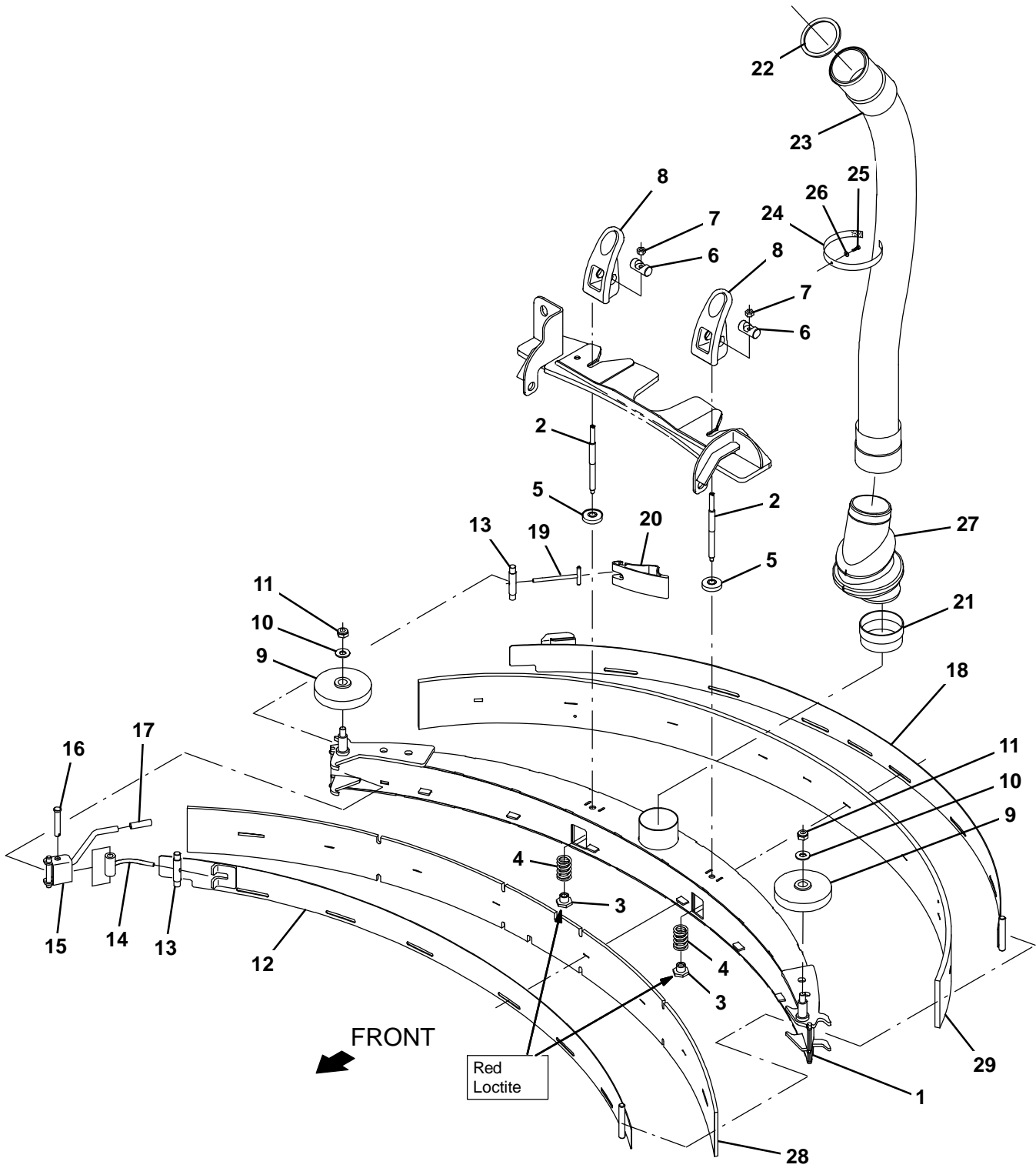


Fig. 28 – Rear Squeegee Group

Ref.	Part No.	Serial Number	Description	Qty.
▽	9020070	(000000–) Squeegee Kit, Ci [T17]	1
▲	1 1213530	(000000–) Squeegee Frame Assy	1
▲	2 1206251	(000000–) Rod, Thrd, 2end, M8x1.25/ M10x1.5 –02	2
▲	3 391345	(000000–) Nut, T, M10 X 1.50 X 0.62od X 0.5l	2
▲	4 1212782	(000000–) Spring, Cmpr, 0.98od .14wir 02.00l, Ss	2
▲	5 1208629	(000000–) Ring, Mtg, Sqge, .38l	2
▲	6 1055396	(000000–) Pin, 0.63d, 02.0l [W/Cbore, M8 Screw]	2
▲	7 07786	(000000–) Nut, Hex, Std, M8 X 1.25, Ss	2
▲	8 1052532	(000000–) Grip, Lock	2
▲	9 363162	(000000–) Wheel, 04.0d 0.89w 0.64b	2
▲	10 01686	(000000–) Washer, Flat, 0.44b 1.00d .08, Ss	2
▲	11 08714	(000000–) Nut, Hex, Lock, M10 X 1.5, NI, Ss	2
▲	12 1209122	(000000–) Strap Wldt	1
▲	13 1206530	(000000–) Pin, 0.43d 2.75l [303ss]	2
▲	14 1209121	(000000–) Arm Wldt	1
▲	15 1209120	(000000–) Bracket Wldt	1
▲	16 51813	(000000–) Pin, Clevis, 0.37d X 2.12l	1
▲	17 1208858	(000000–) Cover, Handle	1
▲	18 1207103	(000000–) Clamp Wldt, Rear	1
▲	19 21606	(000000–) Bar Wldt, Retainer, Sqge, Rear	1
▲	20 1208906	(000000–) Cam, Rear	1
	21 1208730	(000000–) Cuff, Adapter, 2.75 X 3.00, Pvc	1
	22 1207608	(000000–) Gasket, Ure, .16, 3.23id 3.63od	1
	23 1207661	(000000–) Hose Assy, Rear Squeegee	1
	24 1209444	(000000–) Fastener, 11.00l [Hook & Loop]	1
	25 1045525	(000000–) Screw, Pan, Phl, M6 X 1.00 X 12, Blk	1
	26 01684	(000000–) Washer, Flat, 0.27b 0.69d .05, Ss	1
	27 1213539	(000000–) Hose Trap Assy	1
	28 1207086	(000000–) Blade, Front Squeegee 56.6l (Linard)	1
	28 1208356	(000000–) Blade, Front Squeegee 56.6l (Urethane)	1
	28 1208358	(000000–) Blade, Front Squeegee 56.6l (Gum)	1
	29 1207087	(000000–) Blade, Rear Squeegee 60.6l (Linatex)	1
	29 1208357	(000000–) Blade, Rear Squeegee 60.6l (Urethane)	1
	29 1208359	(000000–) Blade, Rear Squeegee 60.6l (Gum)	1

Fig. 29 – Right Hand Door and Battery Cover Group

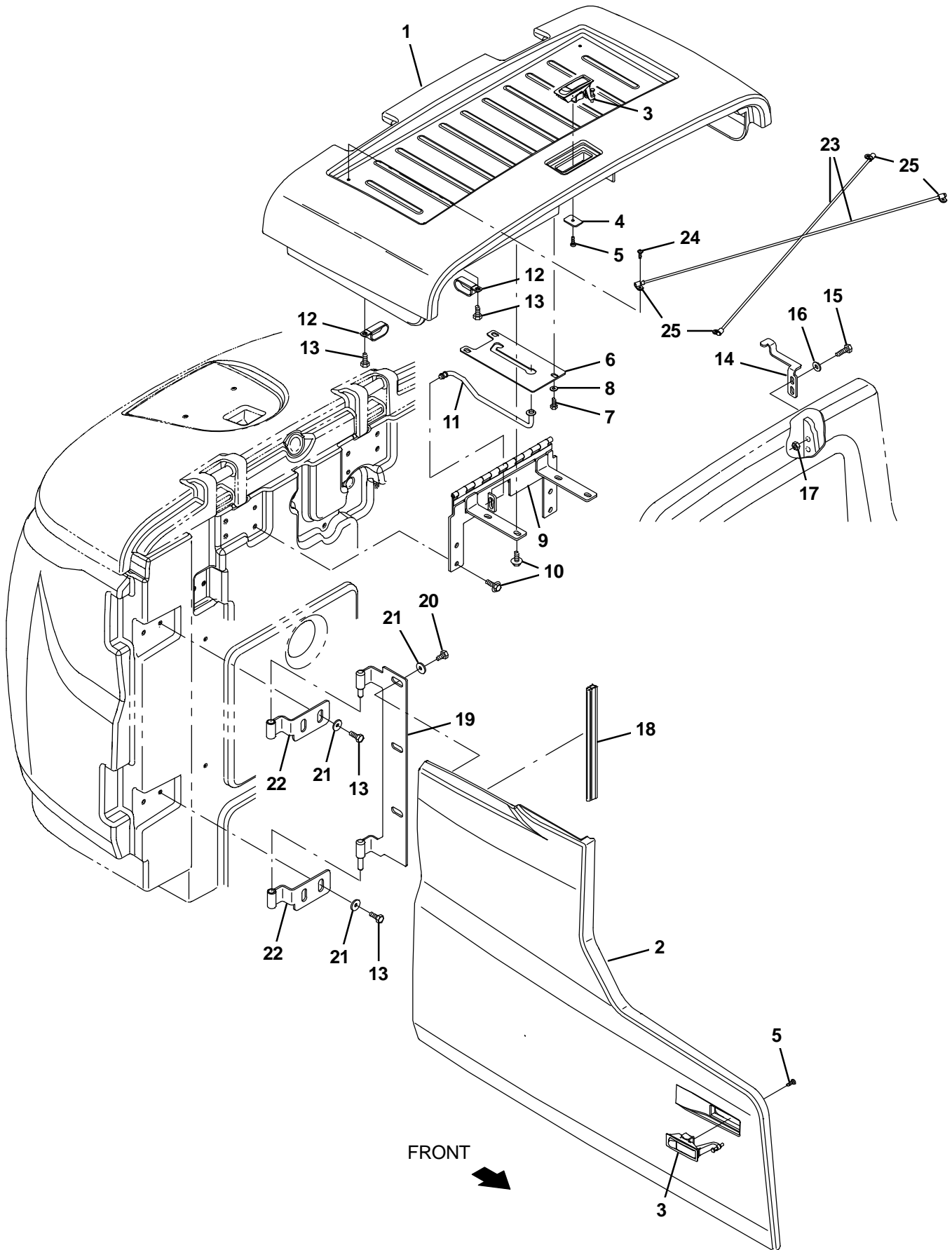


Fig. 29 – Right Hand Door and Battery Cover Group

Ref.	Part No.	Serial Number	Description	Qty.
1	9020213	(000000–012999)	Cover, Battery, Top, Afmkt [T17]	1
1	9020290	(000000–012999)	Cover Assy, Battery, Tj [T17] (Japan Only)	1
1	9018978	(013000–)	Cover, Assy, Battery [T17/M17]	1
2	9020214	(000000–012999)	Cover, Side Rh, Afmkt [T17]	1
2	9018975	(013000–)	Cover, Side Rh, Afmkt [T/M17]	1
3	398806	(000000–)	Latch	2
4	1208748	(000000–)	Plate, Latch [T17]	1
5	06935	(000000–)	Screw, Pan, Phl, M5 X 0.80 X 25, 4.8	2
6	1209190	(000000–)	Plate, Prop Rod, [T17]	1
7	15678	(000000–)	Screw, Hex, M6 X 1.00 X 16, Ss	3
8	32490	(000000–)	Washer, Flat, 0.25, Std	3
9	1207362	(000000–)	Hinge Wldt, Cover, Battery [T17]	1
10	1020341	(000000–)	Screw, Hex, M8 X 1.25 X 20, Ss, Sems	8
11	1207145	(000000–)	Rod Wldt, Seat, Battery Cover [T17]	1
12	09570	(000000–)	Clamp, Cable, Stl, 0.90d X 0.62w, 1hole	3
13	09740	(000000–)	Screw, Hex, M8 X 1.25 X 20, Ss	7
14	1207131	(000000–)	Bracket, Latch [T17]	1
15	76570	(000000–)	Screw, Hex, M8 X 1.25 X 30, 8.8	2
16	32491	(000000–)	Washer, Flat, 0.31, Std	4
17	08709	(000000–)	Nut, Hex, Lock, M8 X 1.25, NI	2
18	1066429	(000000–)	Seal, Afmkt, Bulb, Dual, 01ft [F/.30gap]	1
19	1207946	(000000–)	Hinge Wldt, Rh [T17]	1
20	49826	(000000–)	Screw, Hex, M8 X 1.25 X 16, NI, Ss	3
21	1017218	(000000–)	Washer, Flat, 0.32b 1.00d .12, Ss	7
22	1205811	(000000–)	Hinge Wldt, [T12]	2
23	1210971	(000000–)	Cord, Battery Cover [T17]	2
24	39239	(000000–)	Screw, Pan, Phl, 10–32 X 0.50, G2, Blk	4
25	140324	(000000–)	Clamp, Cable, Nyl, 0.31d, Blk	4

Fig. 30 – Electrical Box Group

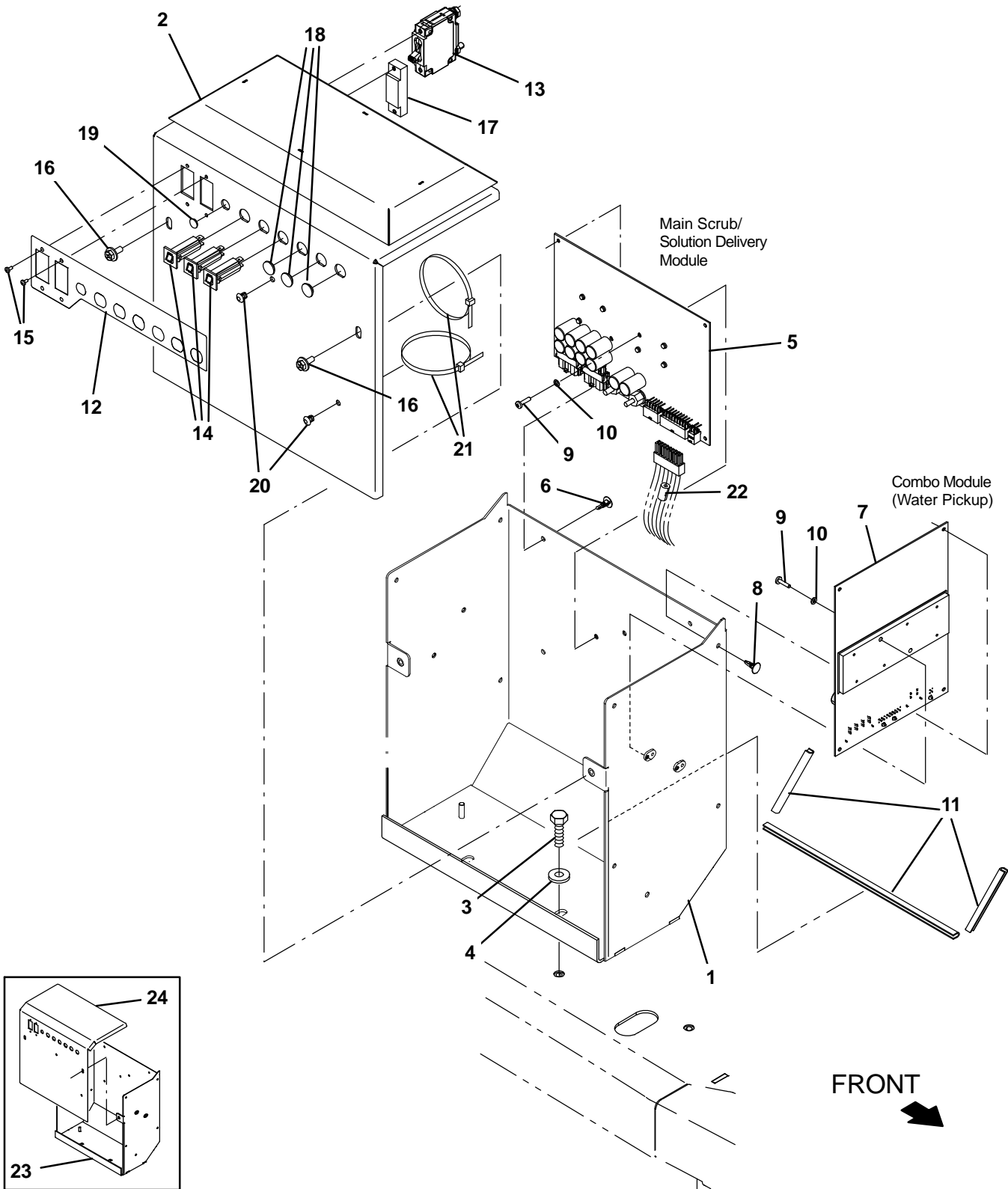


Fig. 30 – Electrical Box Group

Ref.	Part No.	Serial Number	Description	Qty.
	1	1214566	(000000–) Panel Wldt, Enclosure, Electrical	1
	2	1214550	(000000–) Cover Wldt, Enclosure, Electrical	1
	3	1020341	(000000–) Screw, Hex, M8 X 1.25 X 20, Ss, Sems	2
	4	1017218	(000000–) Washer, Flat, 0.32B 1.00D .12, Ss	2
▽	5	9020228	(000000–010999) Circuit Board Kit, Scrub, Afmkt [T17]	1
▲	6	1210399	(000000–010999) Stand–Off, Circuitboard [0.25”]	4
▽	5	9015002	(011000–013999) Circuitboard Kit, Scrub, Afmkt [T17/M17]	1
▲	6	1210399	(011000–013999) Stand–Off, Circuitboard [0.25”]	4
▽	5	9020594	(014000–) Circuitboard Kit, Scrub, Afmkt [T17/M17]	1
▲	6	1210399	(014000–) Stand–Off, Circuitboard [0.25”]	4
▽	7	9020229	(000000–) Circuit Board Kit, Water, Afmkt [t17]	1
▲	8	1210399	(000000–) Stand–Off, Circuitboard [0.25”]	4
	9	06926	(000000–) Screw, Pan, Phl, M4 X 0.70 X 10, 4.8	4
	10	1202860	(000000–) Washer, Flat, 0.17b 0.31d .03, Nyl	4
	11	1046404	(000000–) Molding, Afmkt, Trim, Pvc, .18 .31, 02Ft	1
	12	1208412	(000000–) Label, Circuit Breaker	1
	13	1210970	(000000–) Circuitbreaker, 60.0a, Resetable	1
	14	1064184	(000000–) Circuitbreaker, 02.5a, Resetable	3
	15	06919	(000000–) Screw, Pan, Phl, M3 X 0.50 X 6, 4.8	4
	16	1034731	(000000–) Screw, Hex, M6 X 1.00 X 16, Sems, Ss	2
	17	1213059	(000000–) Plug, Circuit Breaker [Carling, 50/60a]	1
	18	1058340	(000000–) Plug, Hole, Rnd, 0.63h 0.1l, Blk	3
	19	33807	(000000–) Plug, Hole, Rnd, 0.44H .03–.12, Blk Nyl	1
	20	1202868	(000000–) Clip, Tie, 0.25d, Plstc	8
	21	763114	(000000–) Tie, Cable, 11.3l, 2.75d Max	6
	22	1060276	(000000–) Inductor, 36.2mml,Rnd [Ferrite 1–300hz] (Australia Only)	1
	23	1210467	(000000–010341) Panel Wldt, Enclosure, Electrical	1
	24	1209041	(000000–010341) Cover, Enclosure, Electrical	1

Fig. 31 – Electrical Box Wires Group

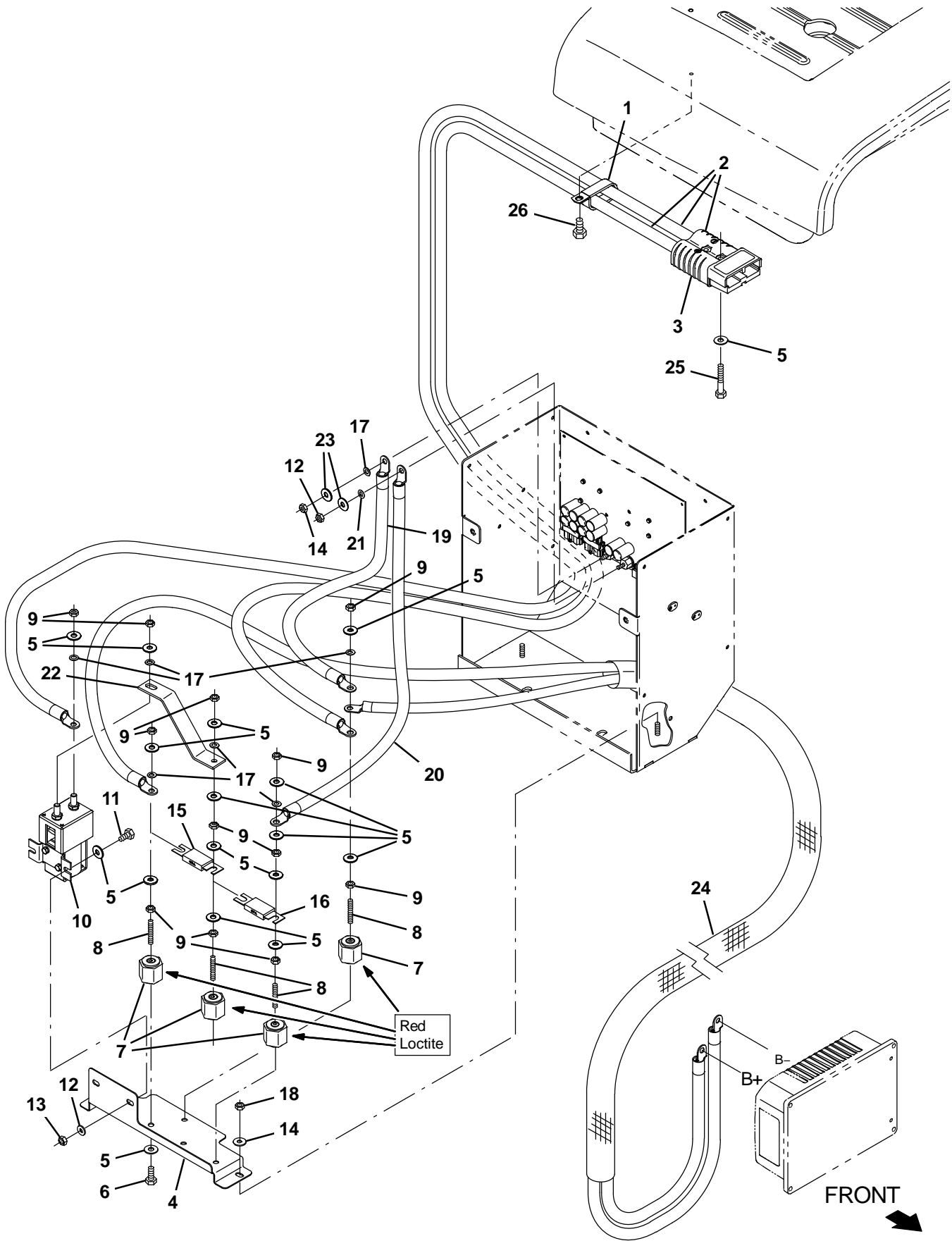
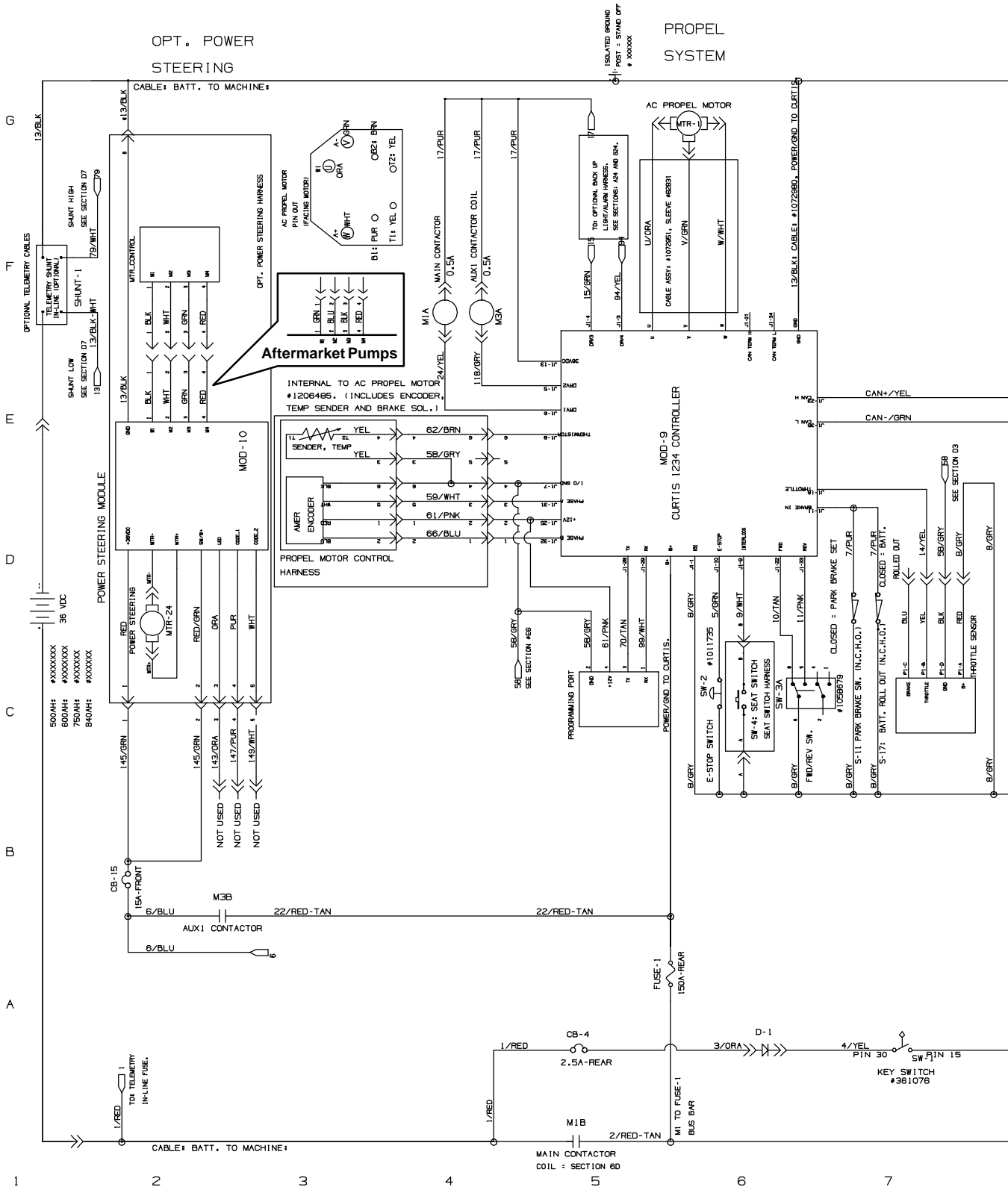


Fig. 31 – Electrical Box Wires Group

Ref.	Part No.	Serial Number	Description	Qty.
	1	09570	(000000–) Clamp, Cable, Stl, 0.90D X 0.62W, 1 Hole	1
▽	2	1072981	(000000–) Cable, Battery, 1/0ga [M8 Ring/M6 Ring]	1
▲	3	01726	(000000–) Connector, 350A, Gray	1
	4	1206431	(000000–) Bracket, Mtg, Contactor	1
	5	32483	(000000–) Washer, Flat, 0.25, Sae	13
	6	19314	(000000–) Screw, Hex, .25–20 X 0.38, G5	4
	7	76062	(000000–) Stand-Off, Wir, 0.25, Insulator, Panel	4
	8	41702	(000000–) Rod, Thrd, Full, .25–20 01.5l	4
	9	19312	(000000–) Nut, Hex, Std, .25–20	10
	10	1068510	(000000–) Contactor, 36vdc, 200a, Spst	1
	11	06942	(000000–) Screw, Hex, M6 X 1.00 X 16, 8.8	2
	12	1202864	(000000–) Nut, Hex, Std, M5 X 0.80, Brs	2
	13	08708	(000000–) Nut, Hex, Lock, M6 X 1.00, NI	2
	14	1061910	(000000–) Nut, Hex, Std, M6 X 1.00, Brs	1
	15	386807	(000000–) Fuse, 150a, 0.88 2.4l [Slo-Blo]	1
	16	86379	(000000–) Fuse, 100a, 0.88 2.4l, 125volt	1
	17	07515	(000000–) Washer, Lock, Int, 0.25, Ss	6
	18	08708	(000000–) Nut, Hex, Lock, M6 X 1.00, NI	2
	19	1072979	(000000–) Cable, 04ga 6.9l Blk [M6 Ring/M6 Ring]	1
	20	1072978	(000000–) Cable, 04ga 9.8l Blu [M5 Ring/M6 Ring]	1
	21	07514	(000000–) Washer, Lock, Int, 10, Ss	2
	22	1208691	(000000–) Busbar, 200a	1
	23	1061918	(000000–) Washer, Flat, 0.25b 0.47d .06, Brs	2
	24	1074713	(000000–) Cable Assy, 02ga, Power [T18, 2 Cond.]	1
	25	33930	(000000–) Screw, Hex, M6 X 1.00 X 40, Ss	2
	26	49826	(000000–) Screw, Hex, M8 X 1.25 X 16, NI, Ss	3

Fig. 32 – Electrical Schematic (00000-010999)



356516 – 1074089

Fig. 32 – Electrical Schematic (00000-01099)

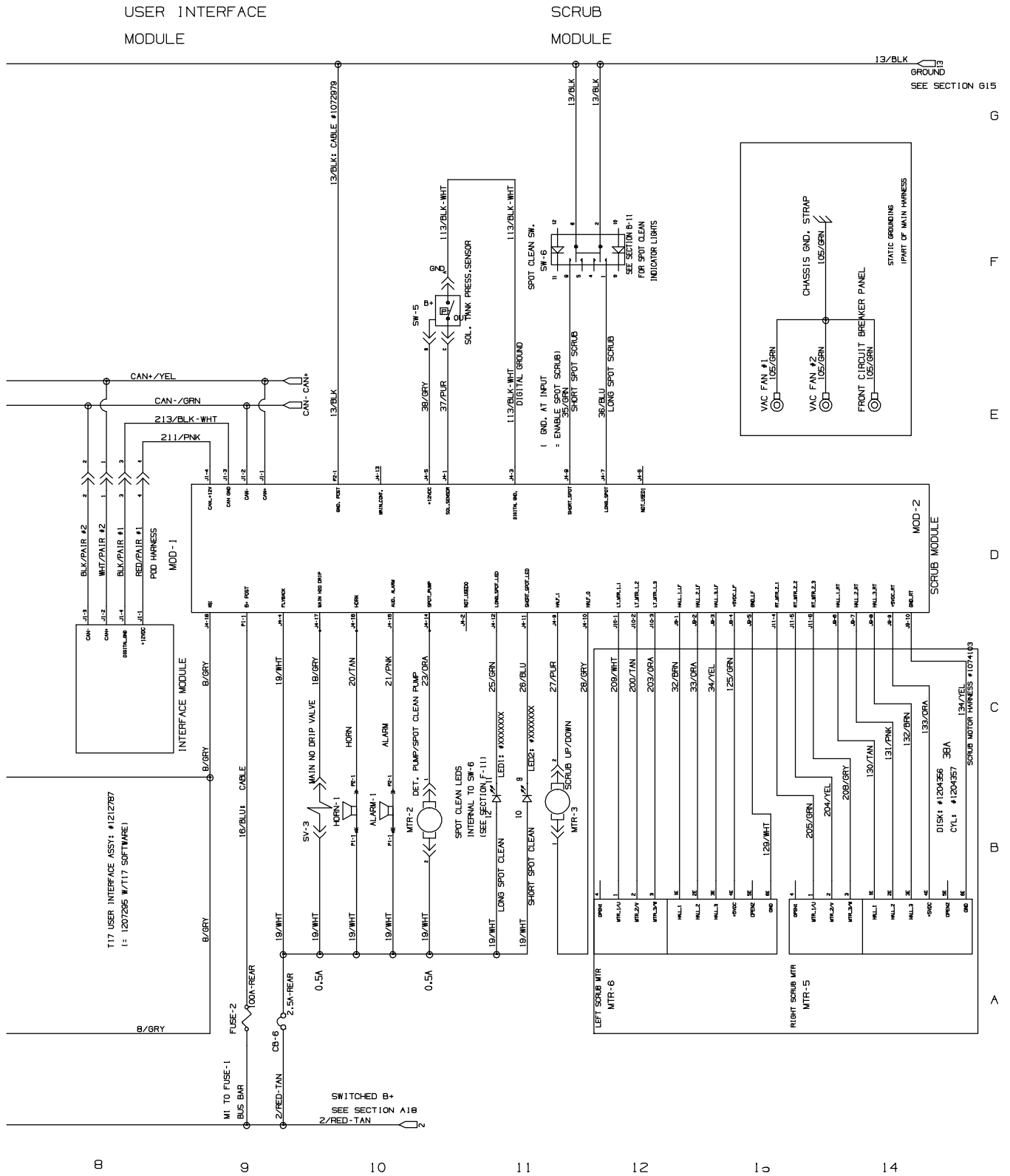


Fig. 32 – Electrical Schematic (000000-010999)

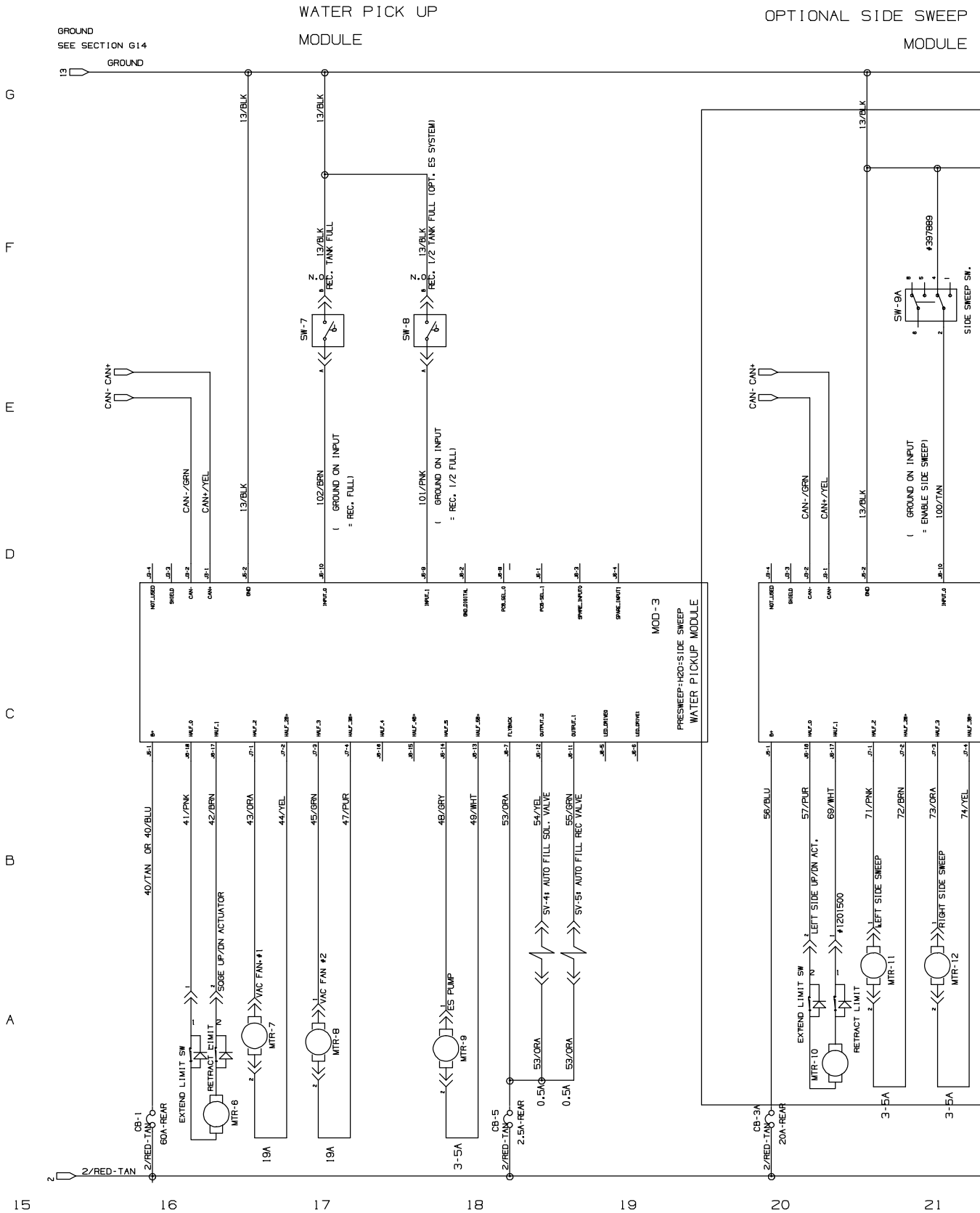


Fig. 32 – Electrical Schematic (000000-010999)

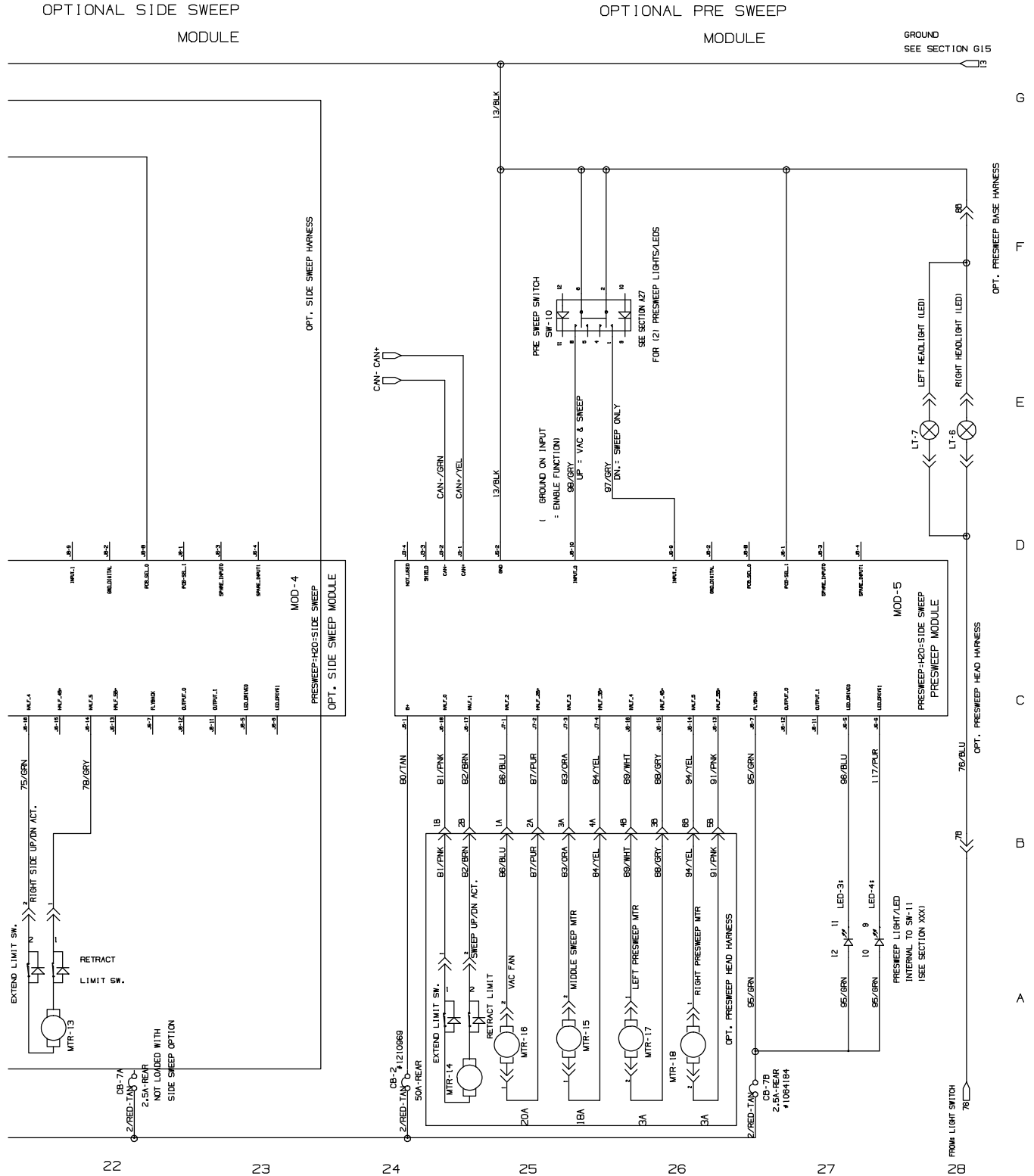


Fig. 32 - Electrical Schematic (00000-010999)

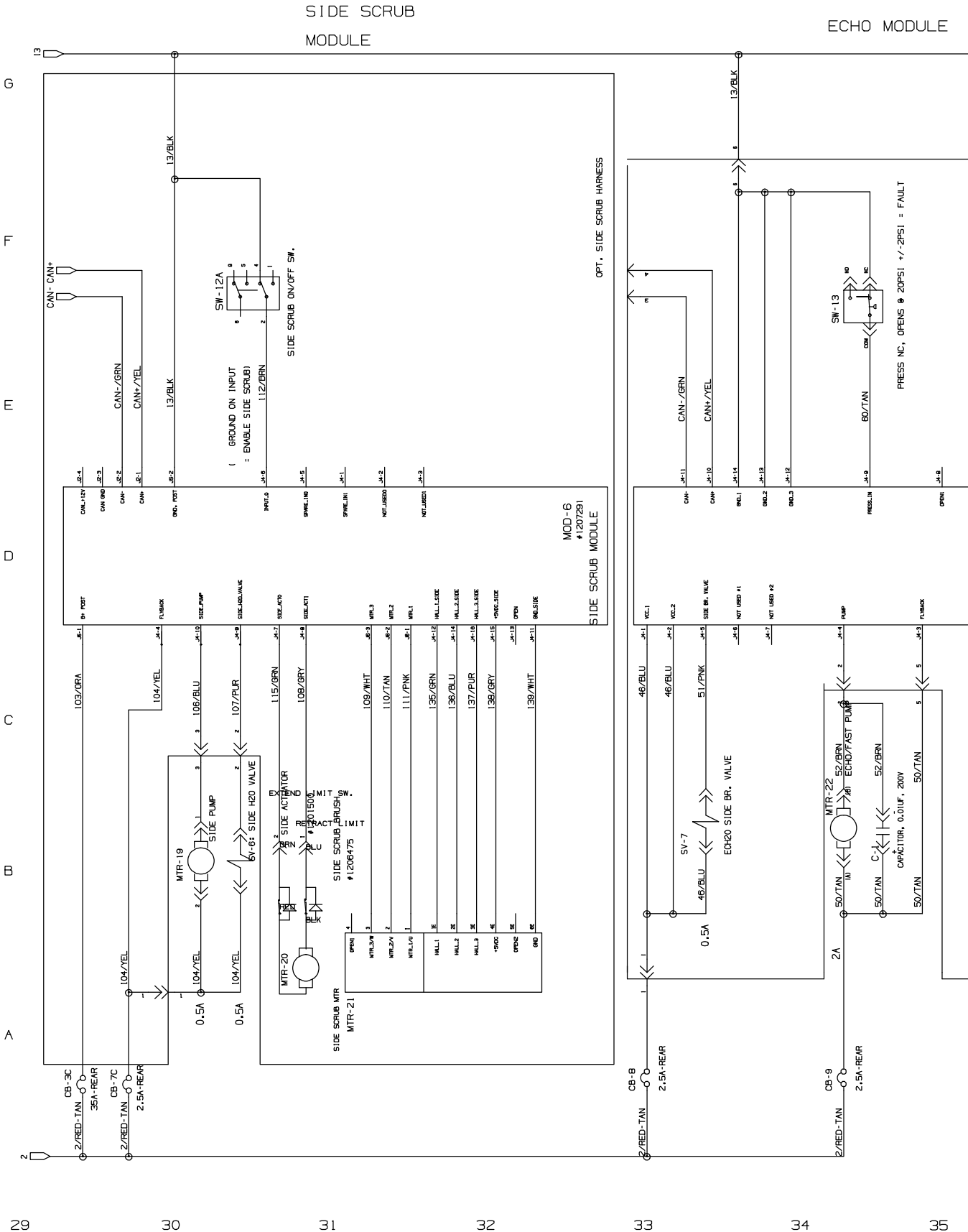
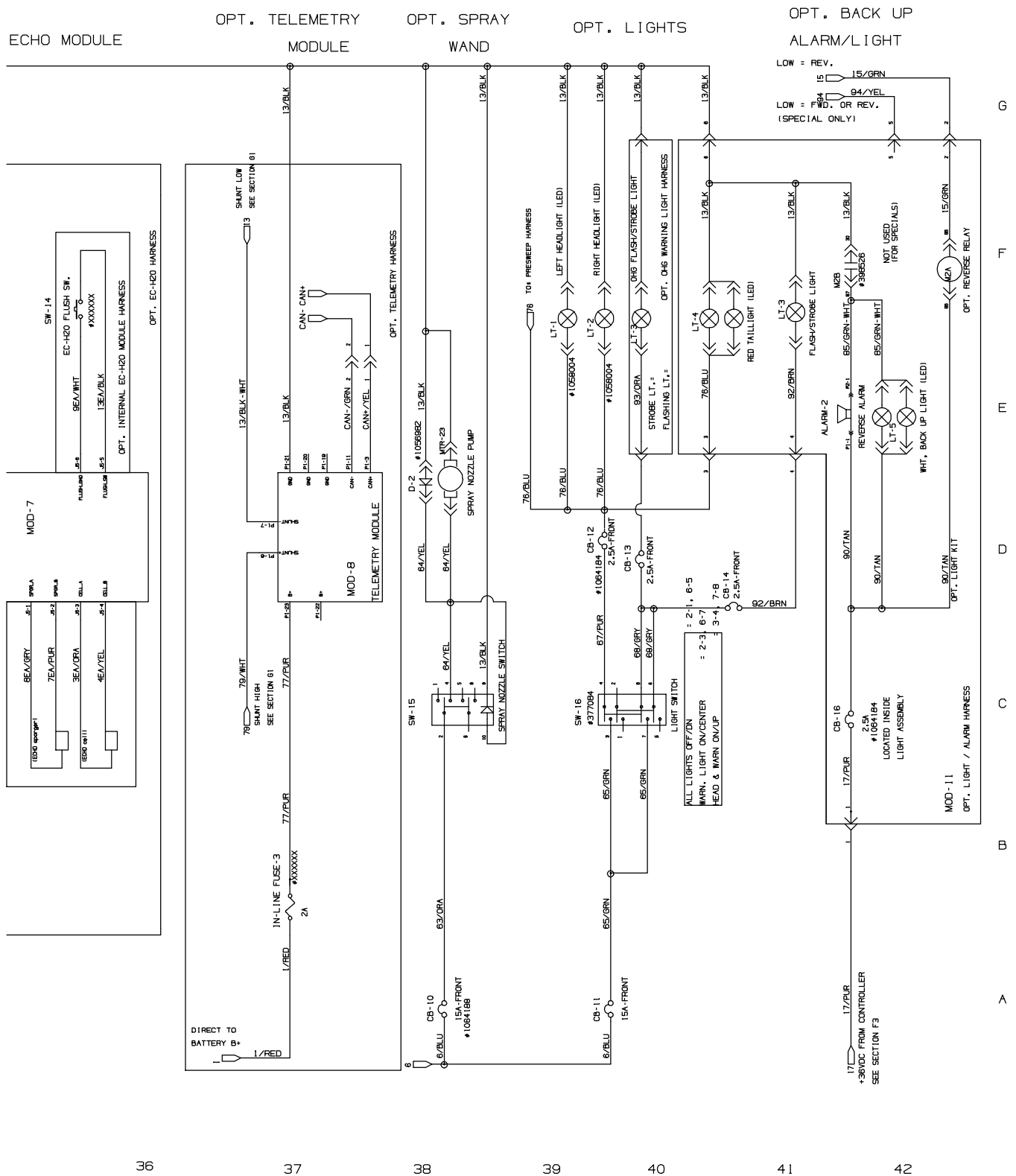


Fig. 32 - Electrical Schematic (00000-010999)



36

37

38

39

40

41

42

Fig. 33 – Electrical Schematic (011000-012999)

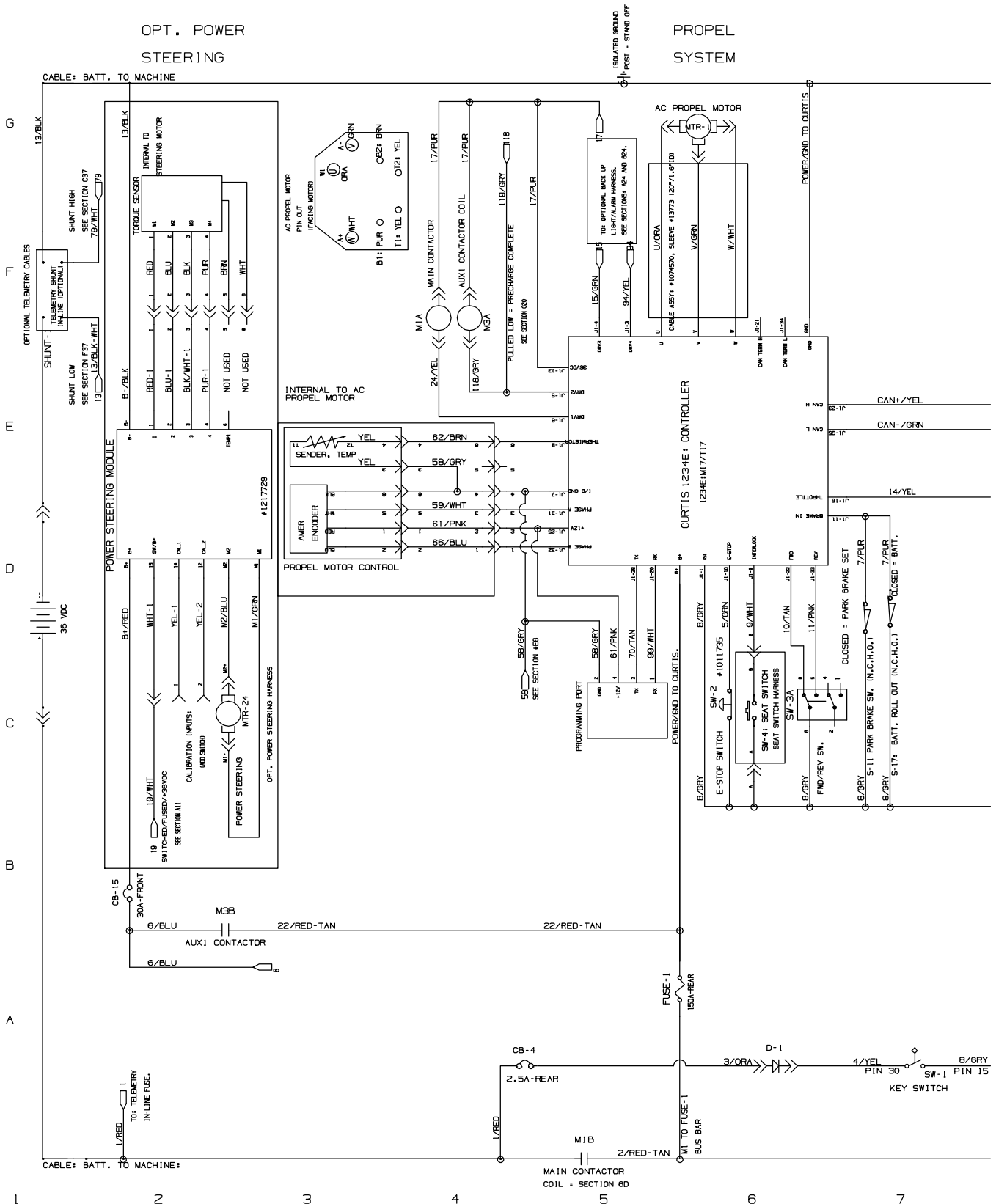


Fig. 33 – Electrical Schematic (011000-012999)

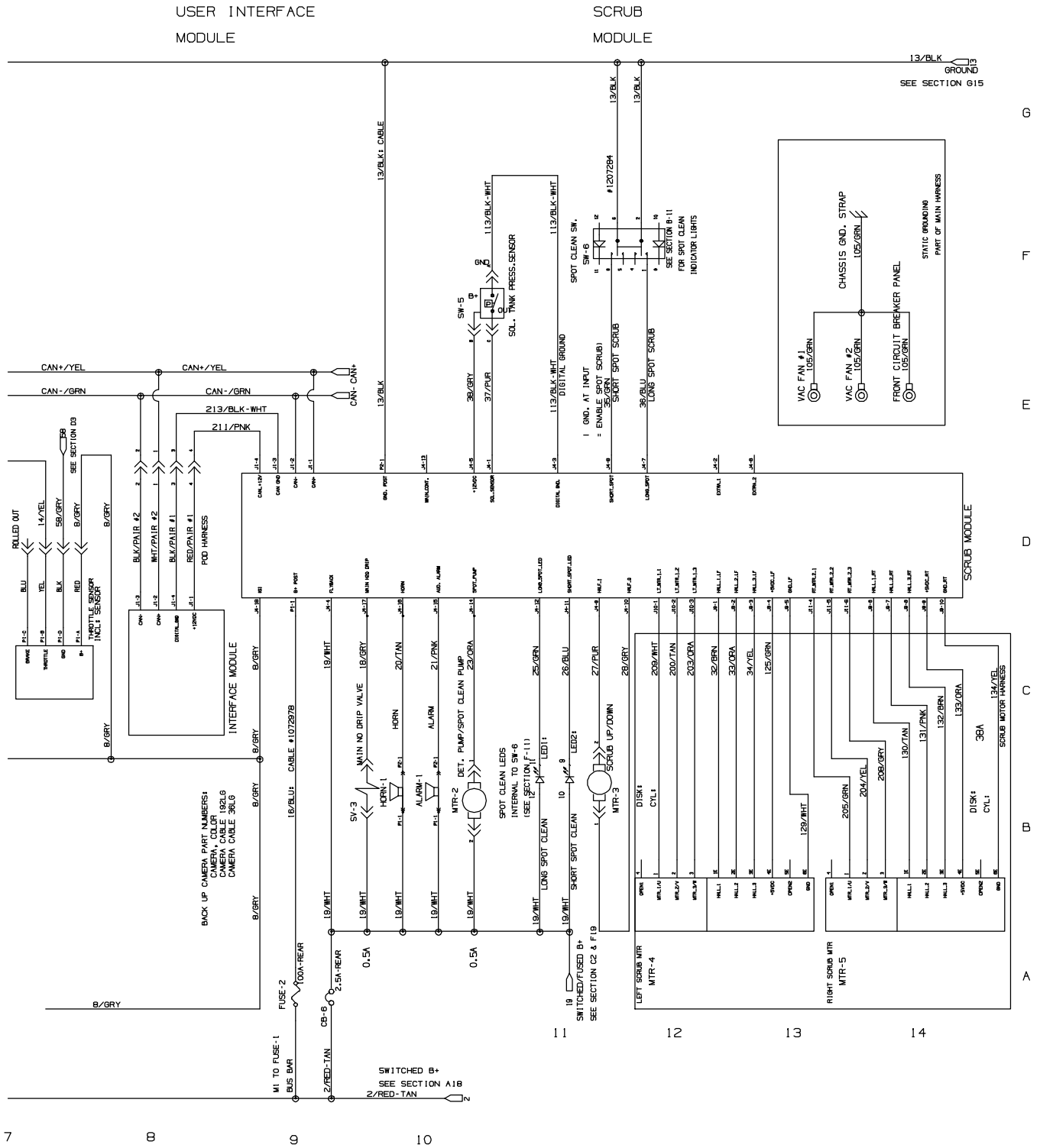


Fig. 33 – Electrical Schematic (011000-012999)

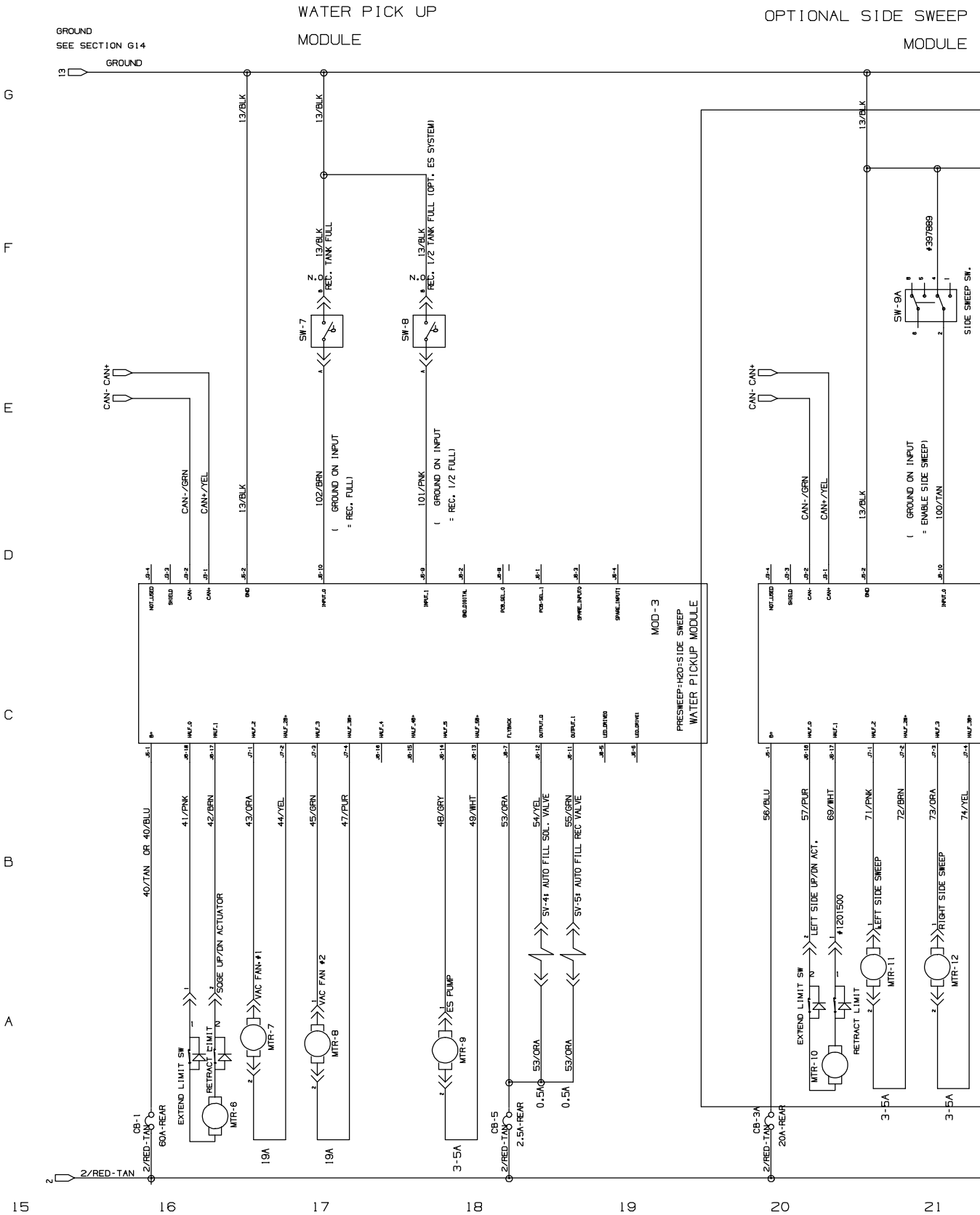


Fig. 33 – Electrical Schematic (011000-012999)

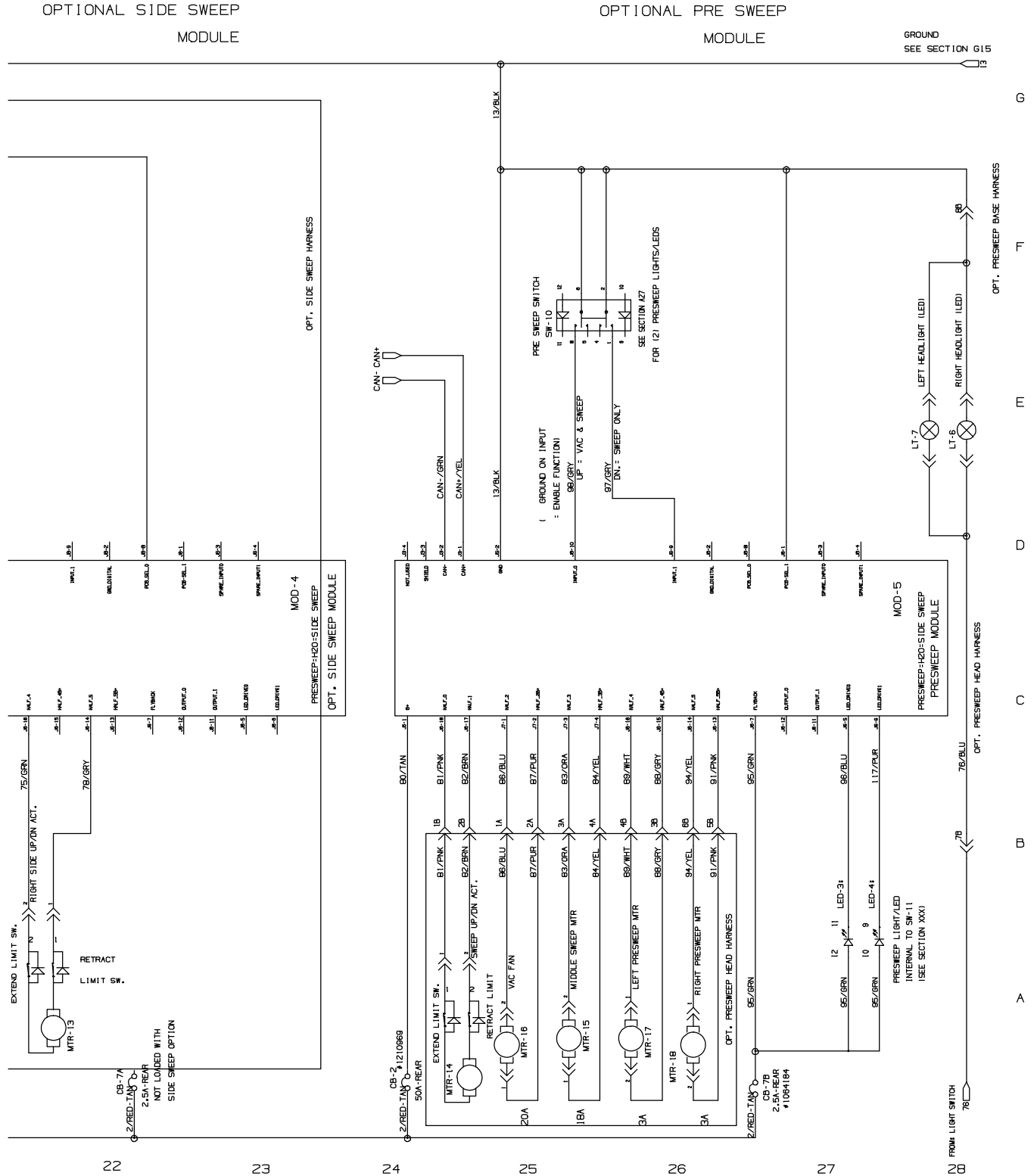


Fig. 33 – Electrical Schematic (011000-012999)

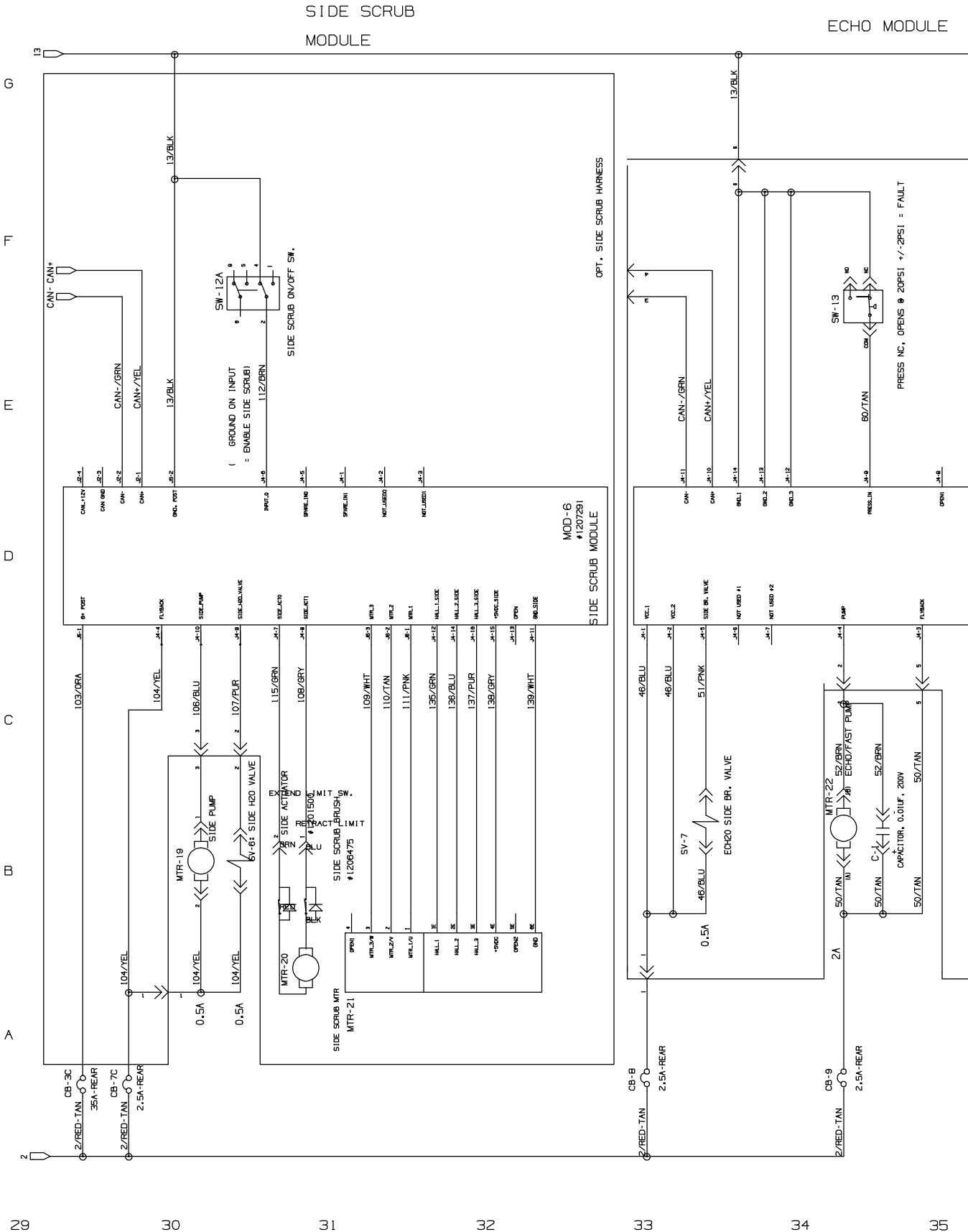
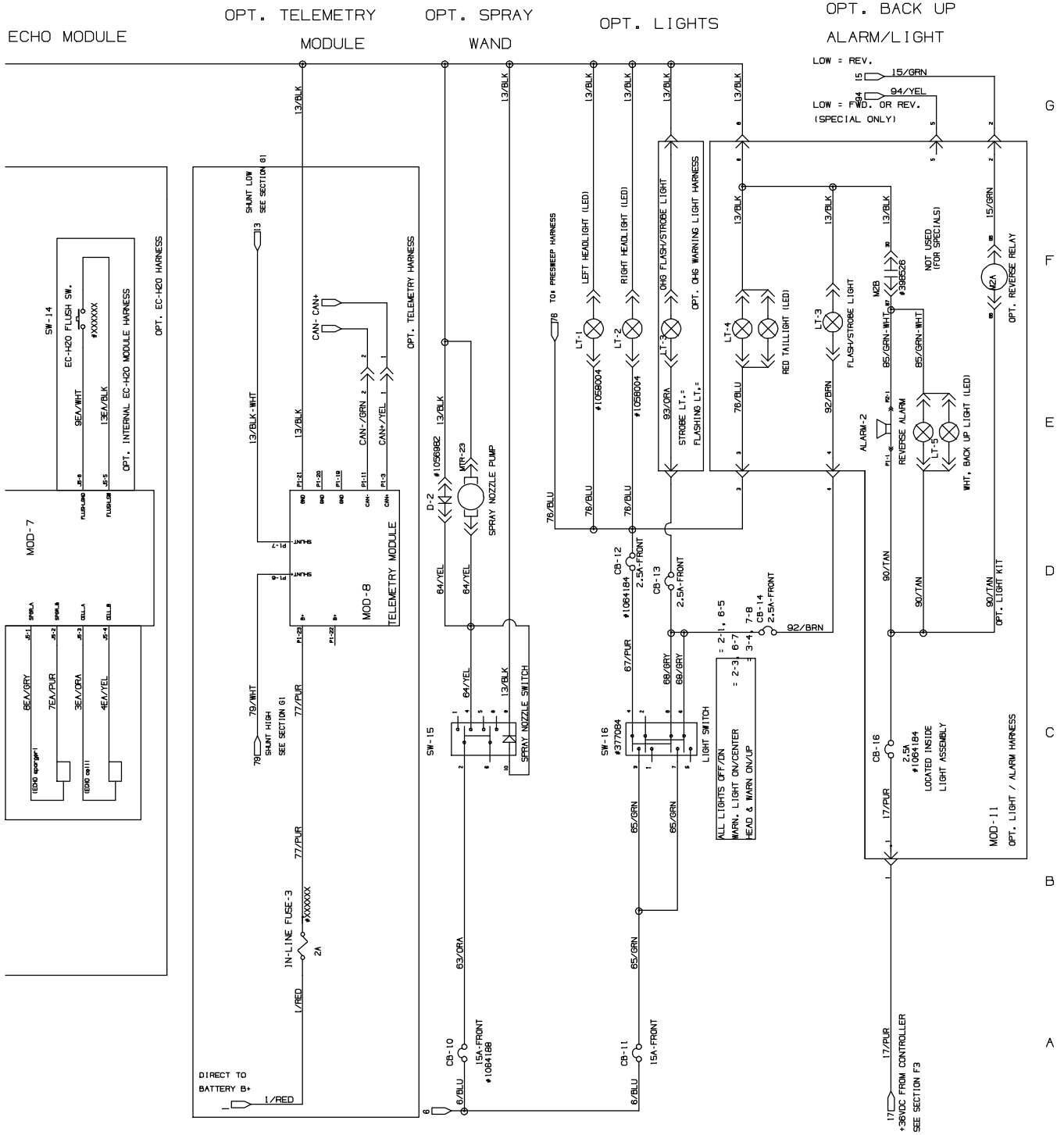


Fig. 33 - Electrical Schematic (011000-012999)



36

37

38

39

40

41

42

356516 - 1074089

Fig. 34 – Electrical Schematic (013000-013999)

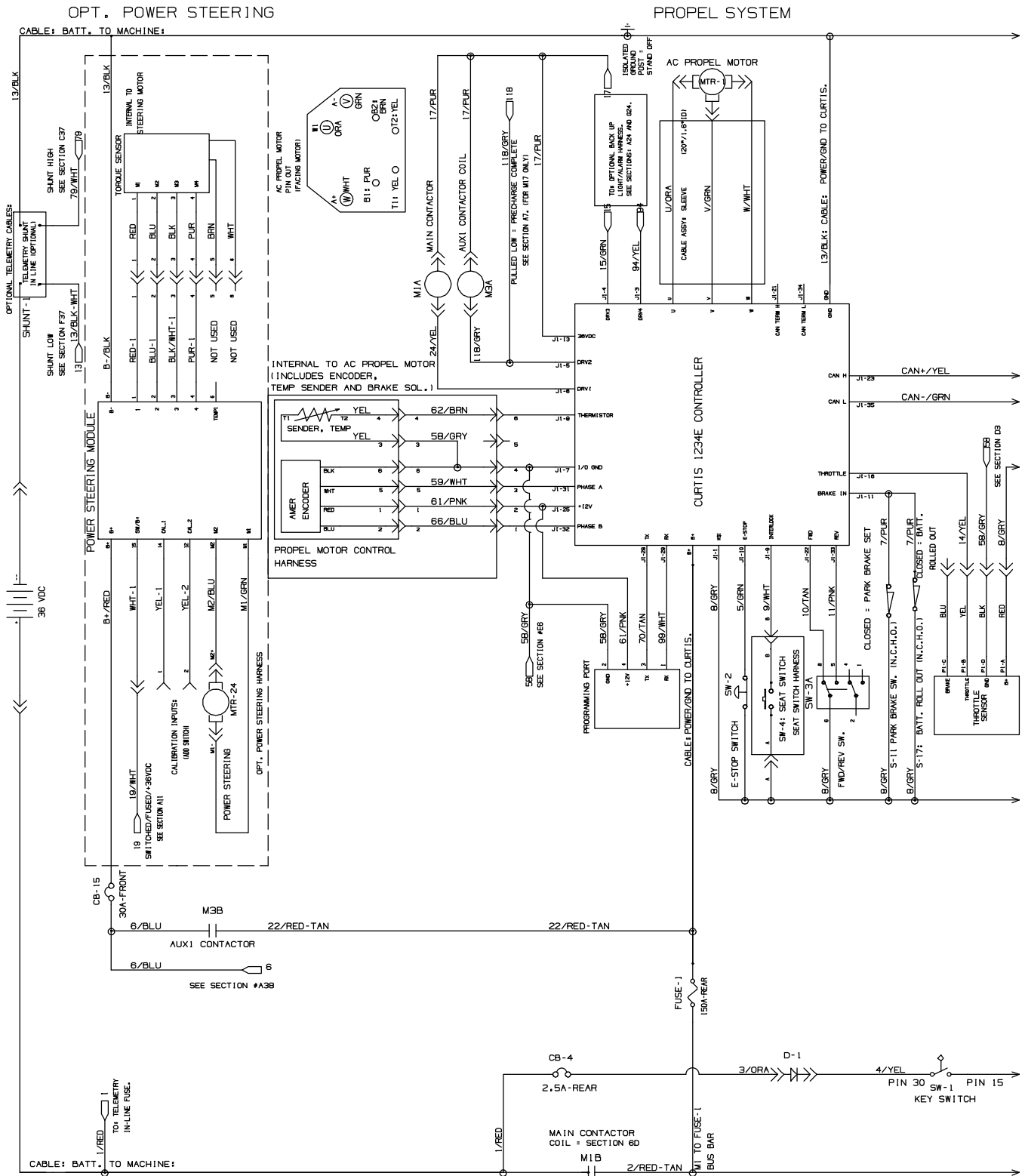


Fig. 34 – Electrical Schematic (013000-013999)

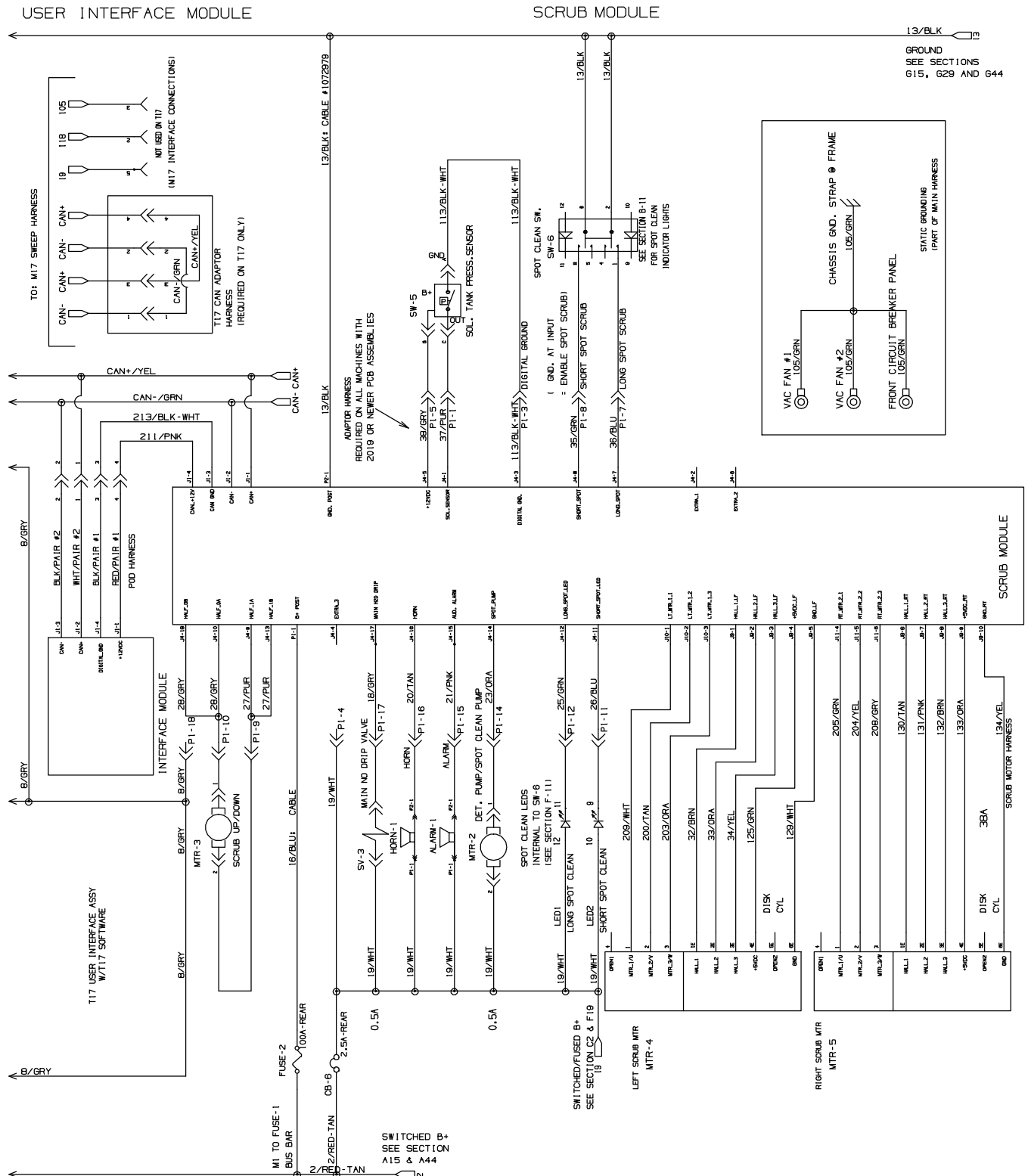


Fig. 34 – Electrical Schematic (013000-013999)

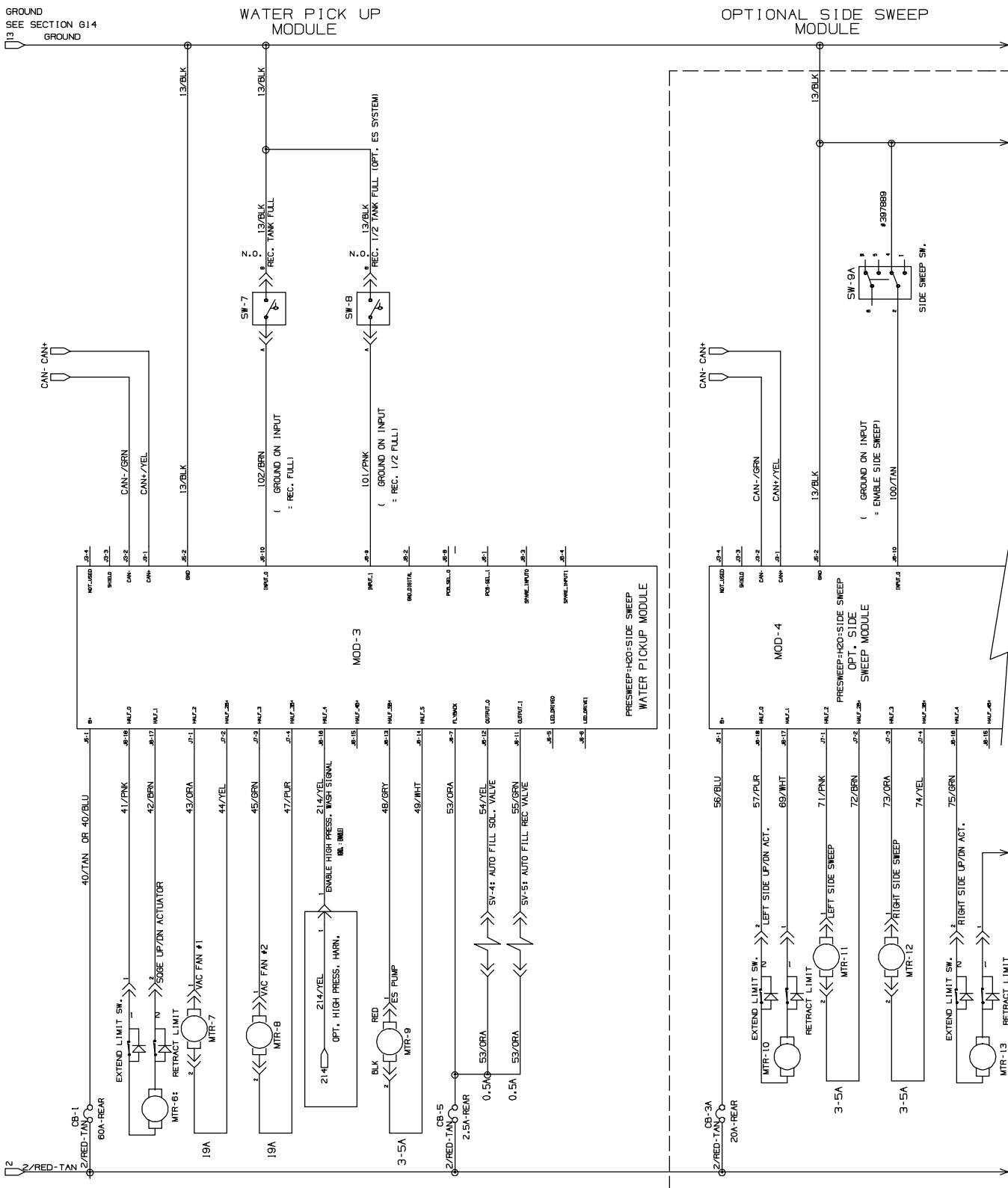


Fig. 34 – Electrical Schematic (013000-013999)

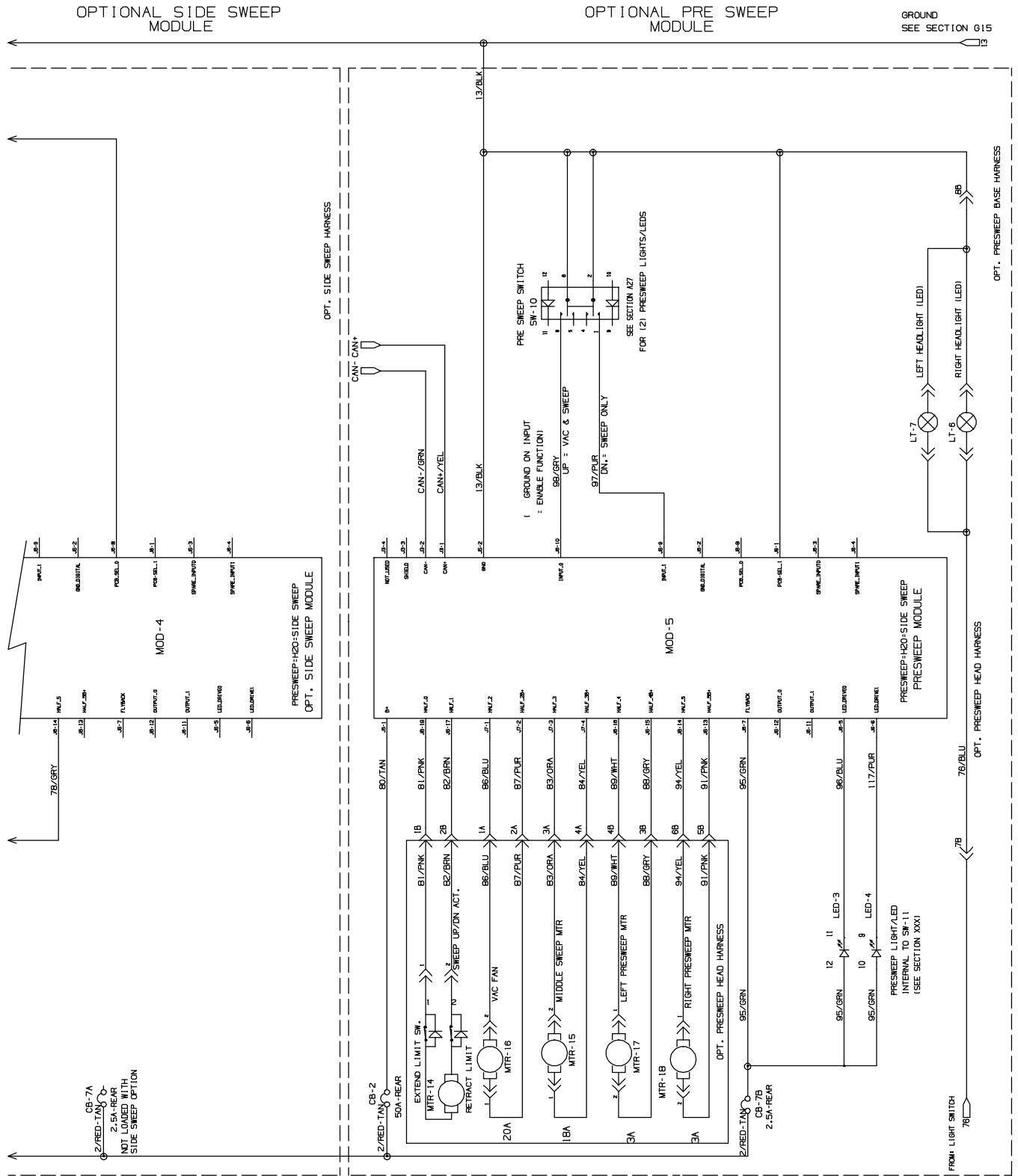


Fig. 34 – Electrical Schematic (013000-013999)

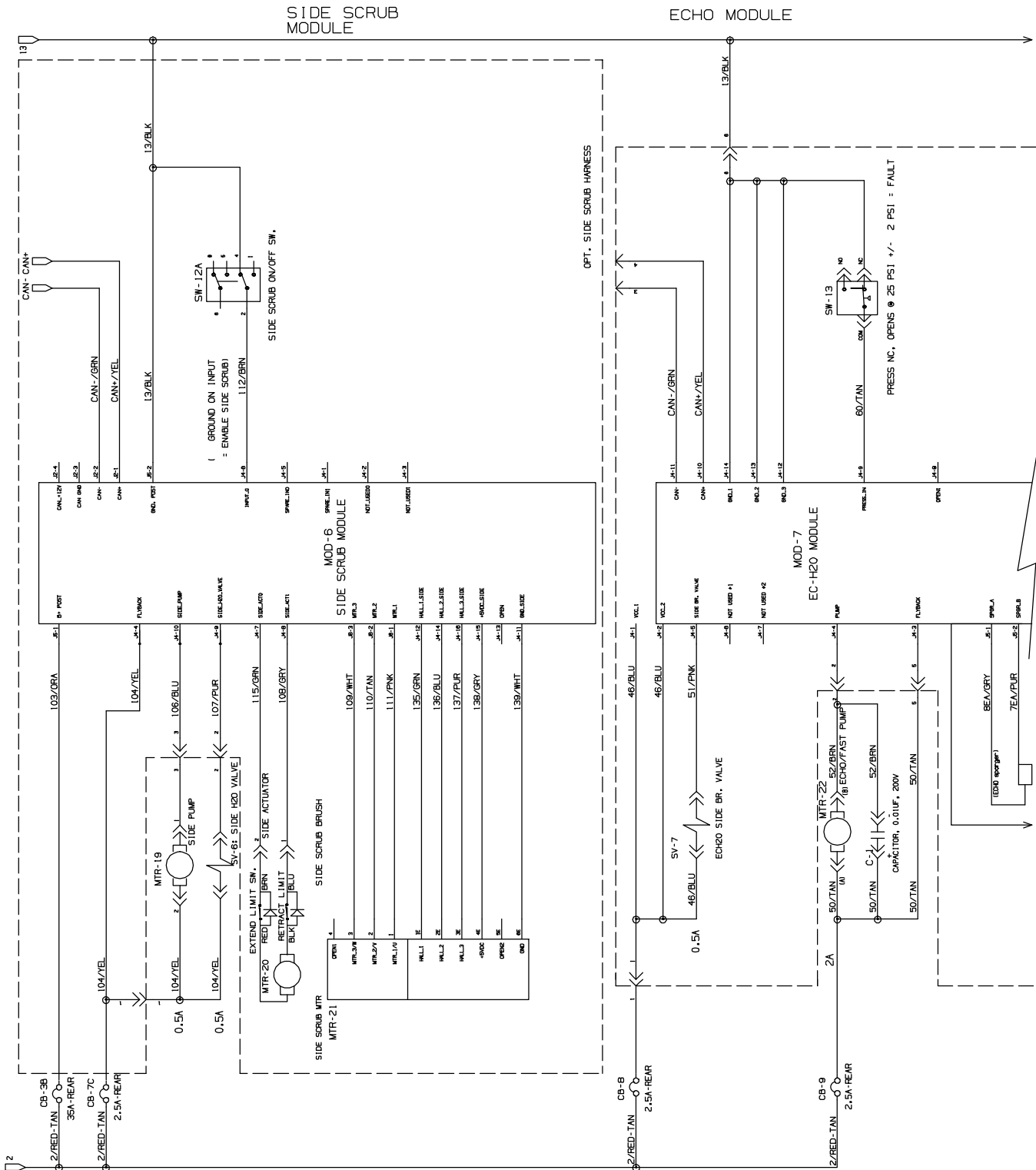


Fig. 34 – Electrical Schematic (013000–013999)

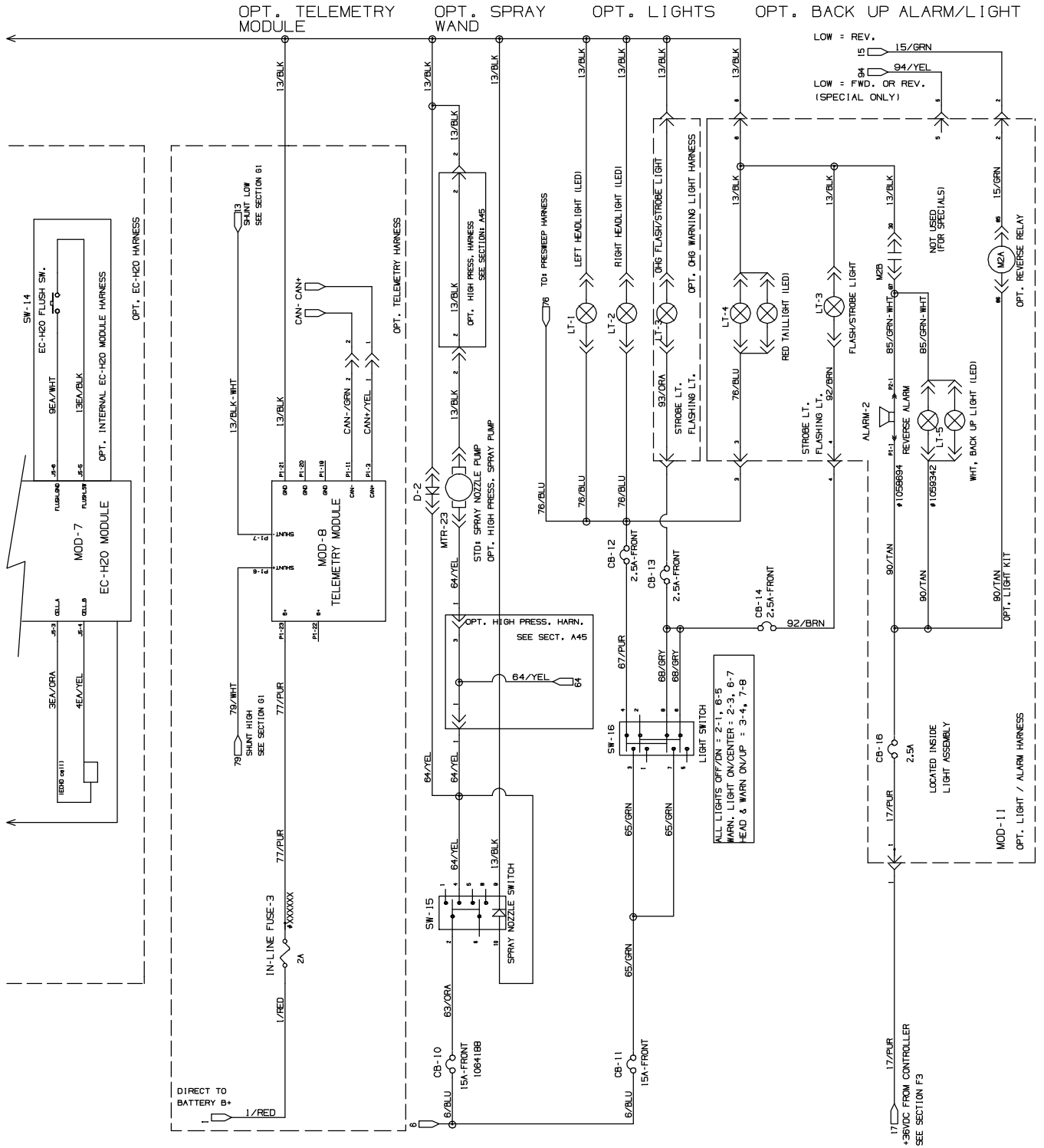


Fig. 34 – Electrical Schematic (013000–013999)

OPT. HIGH PRESS. SPRAY

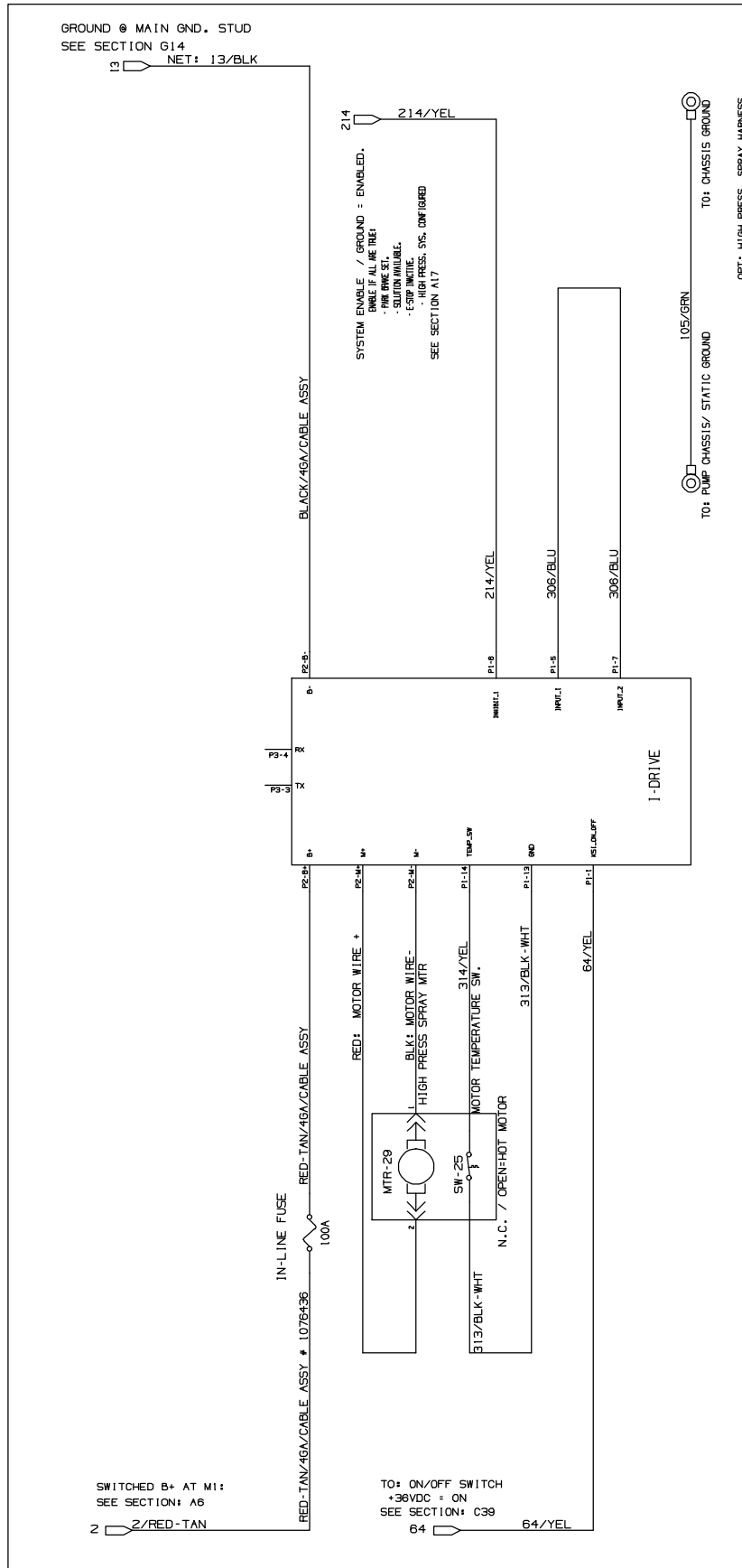


Fig. 35 – Electrical Schematic (014000–)

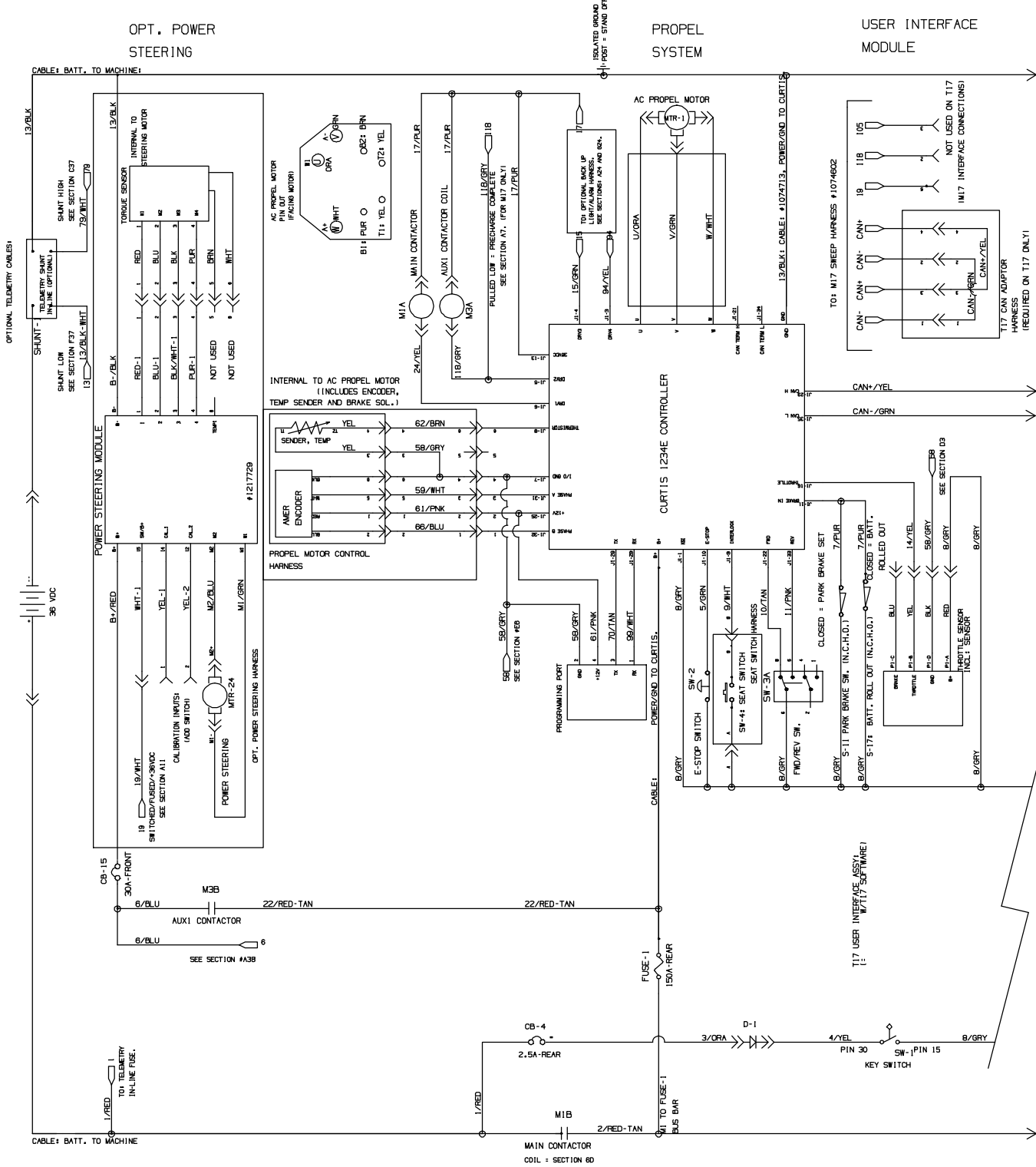


Fig. 35 - Electrical Schematic (014000-)

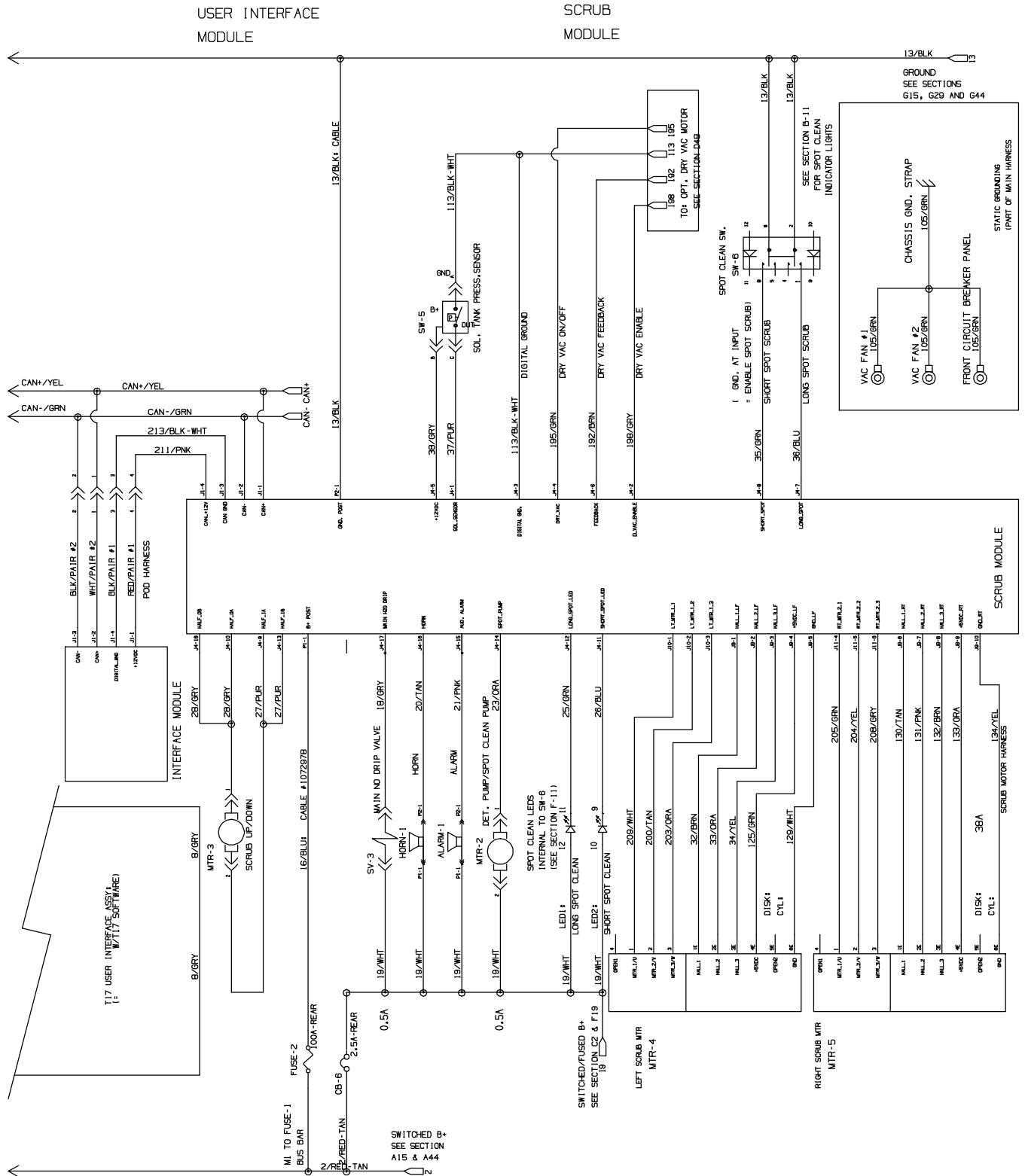


Fig. 35 – Electrical Schematic (014000-)

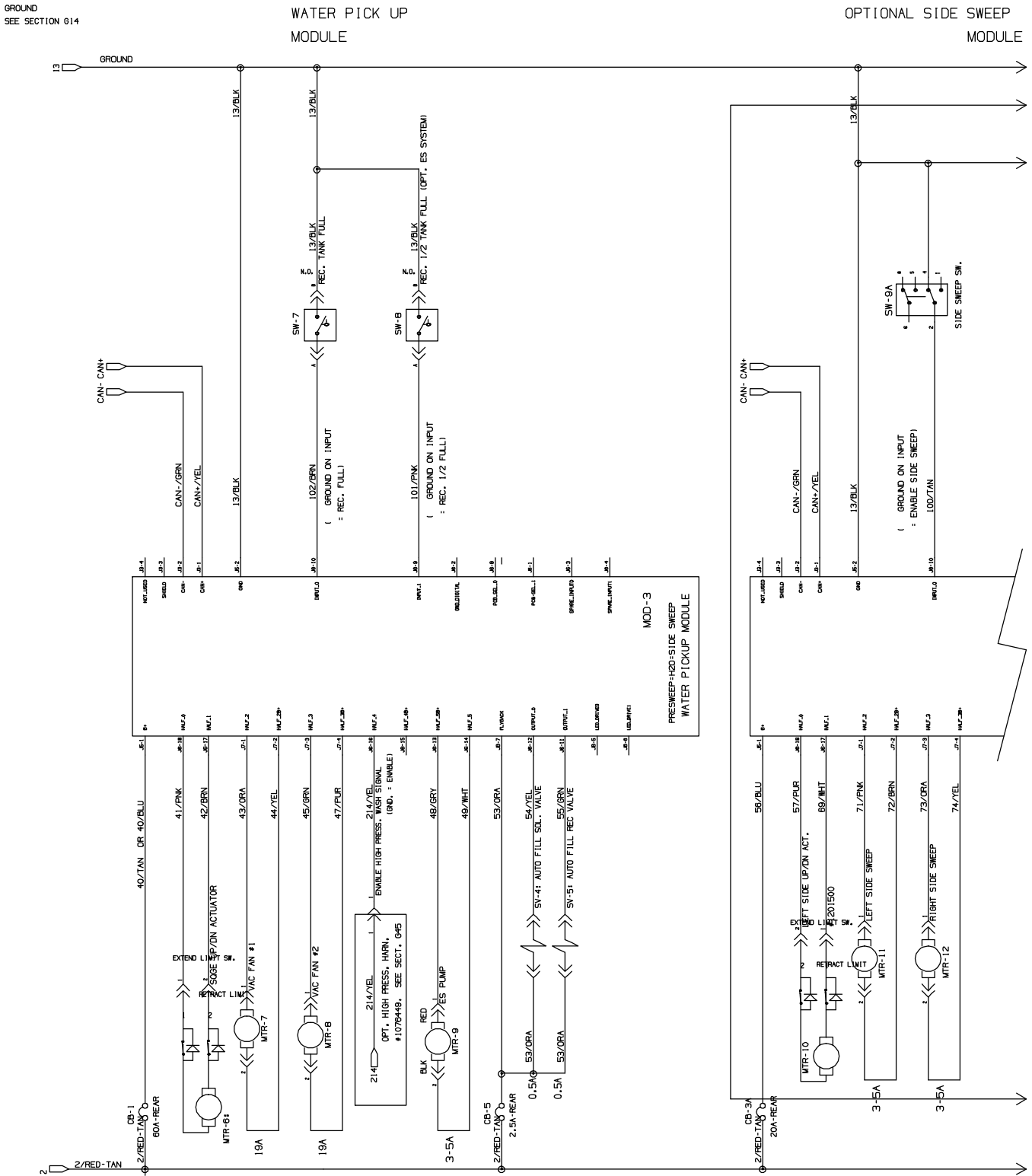


Fig. 35 – Electrical Schematic (014000-)

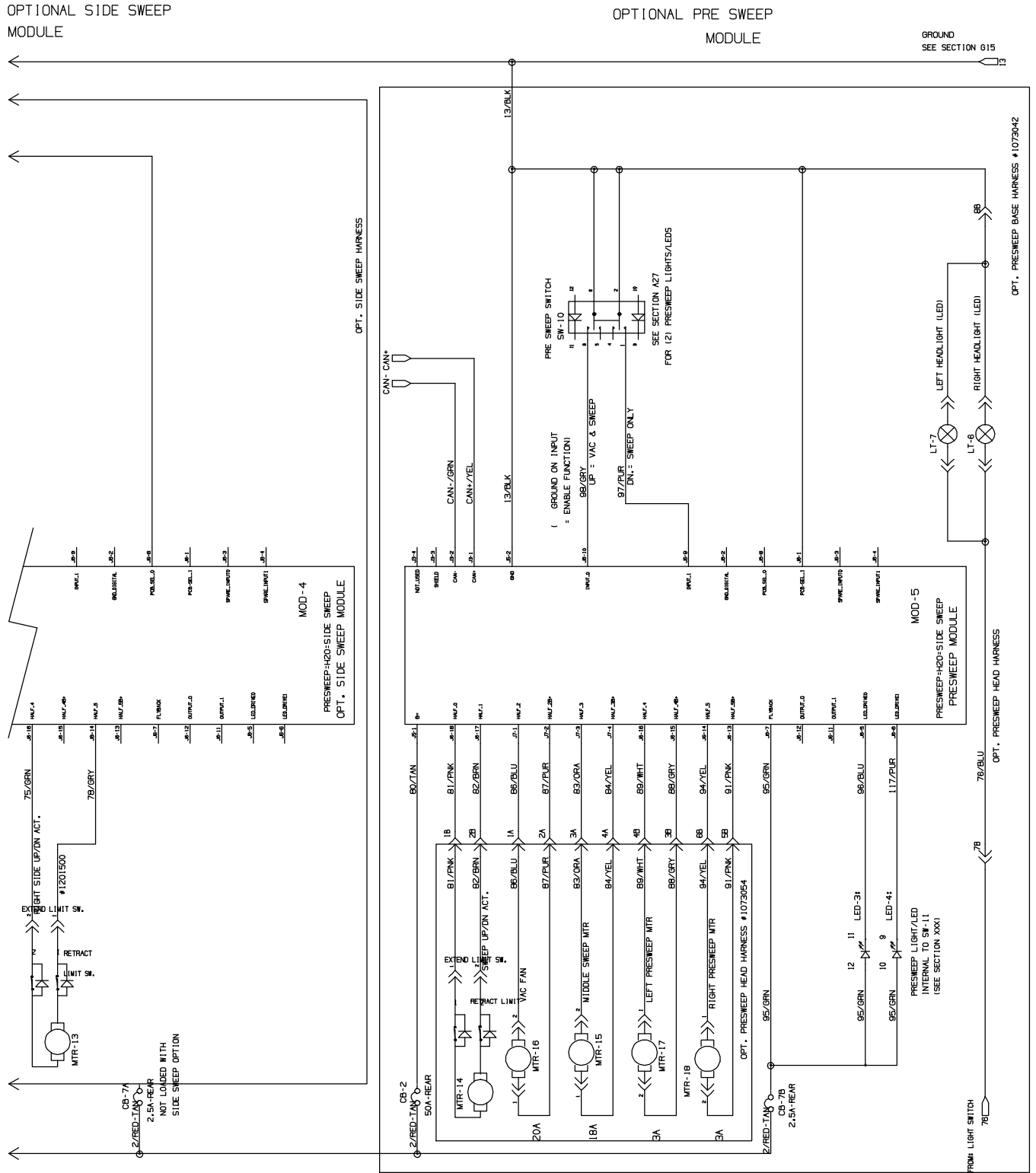


Fig. 35 - Electrical Schematic (014000-)

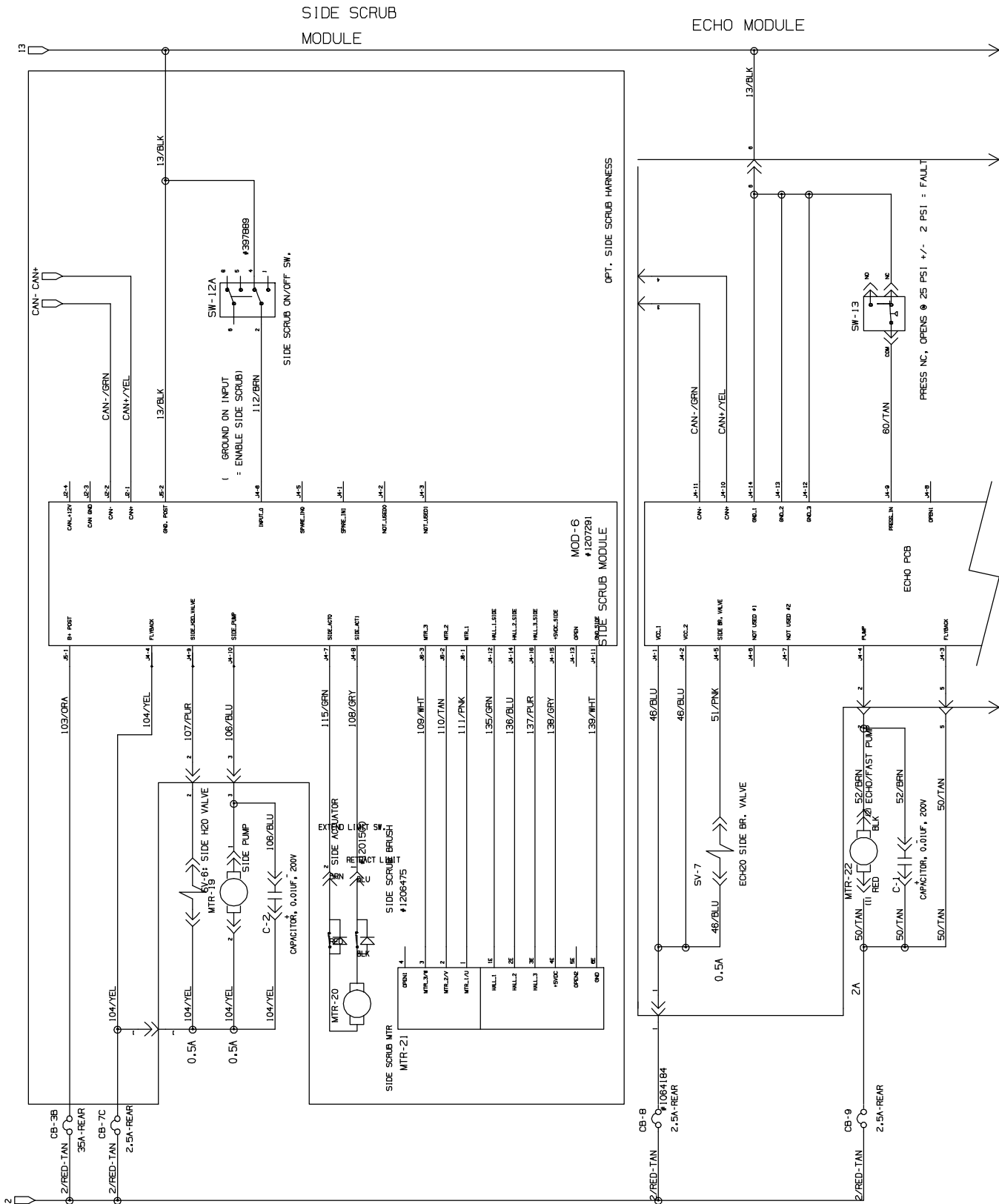


Fig. 35 - Electrical Schematic (014000-)

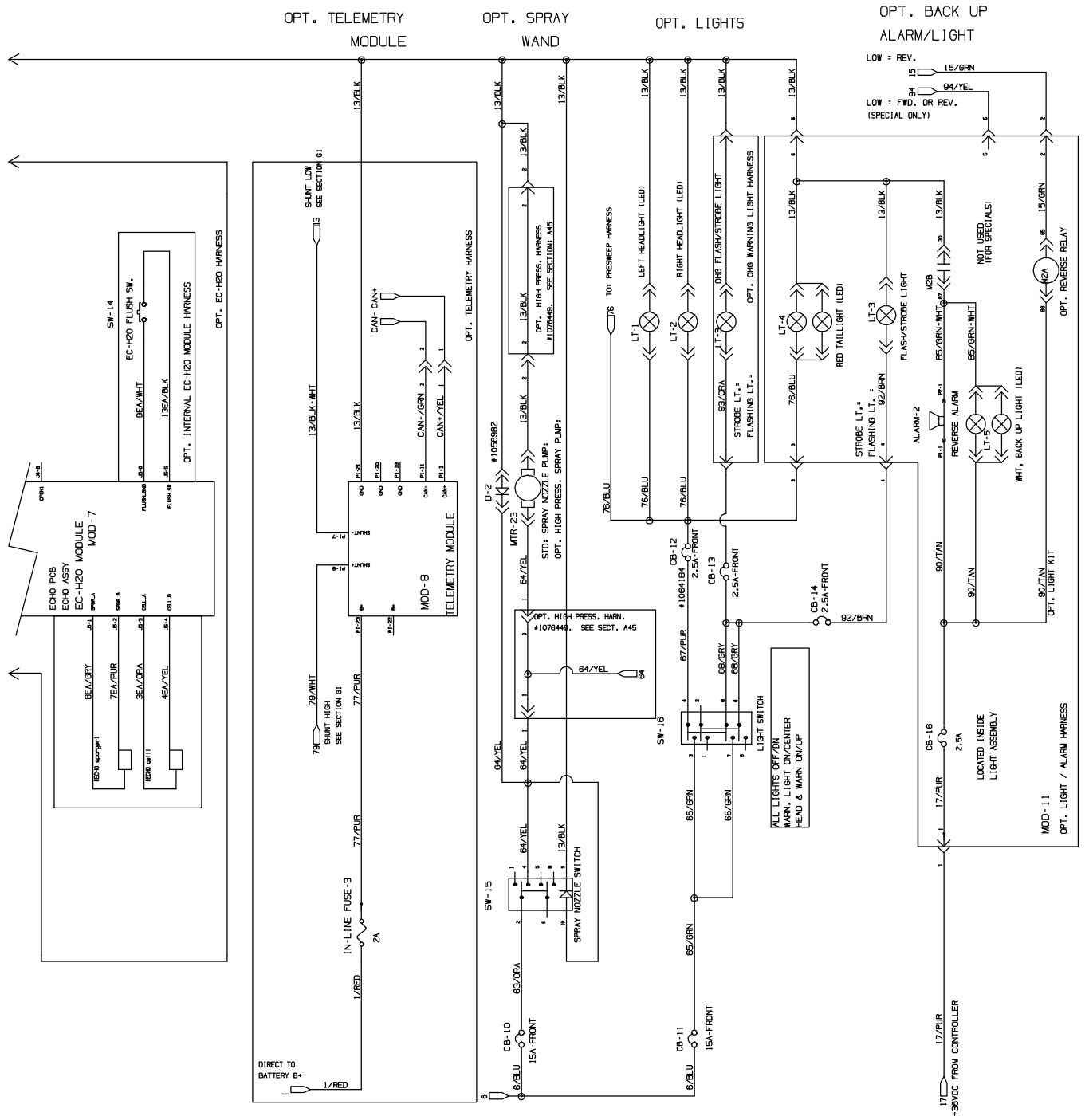


Fig. 35 – Electrical Schematic (014000-)
OPT. HIGH PRESS. SPRAY

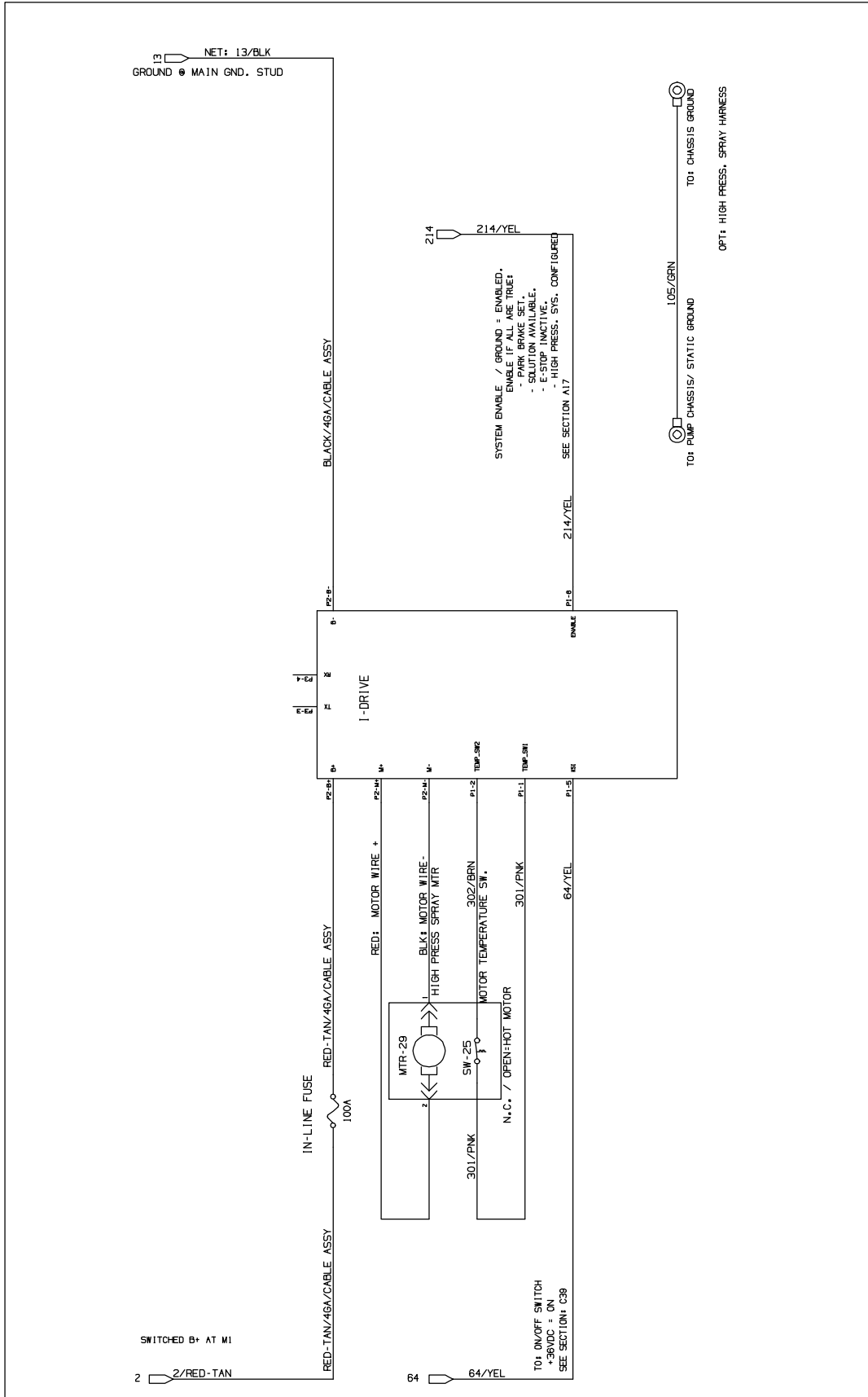


Fig. 35 – Electrical Schematic (014000-)
OPT. DRY VAC SYSTEM

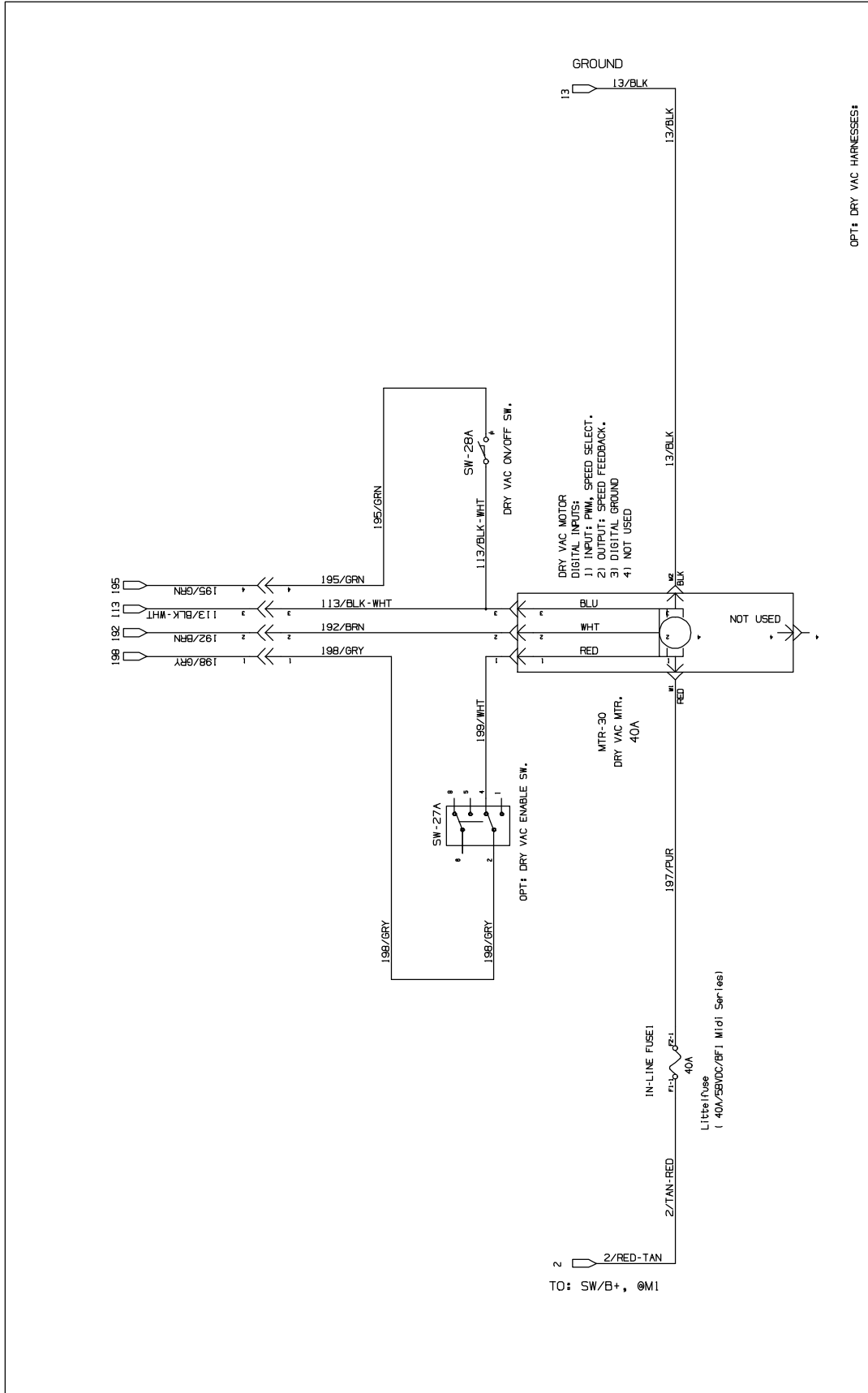


Fig. 35 – Electrical Schematic (014000–)

OPT. LITHIUM BATTERY/
CHARGER SYSTEM

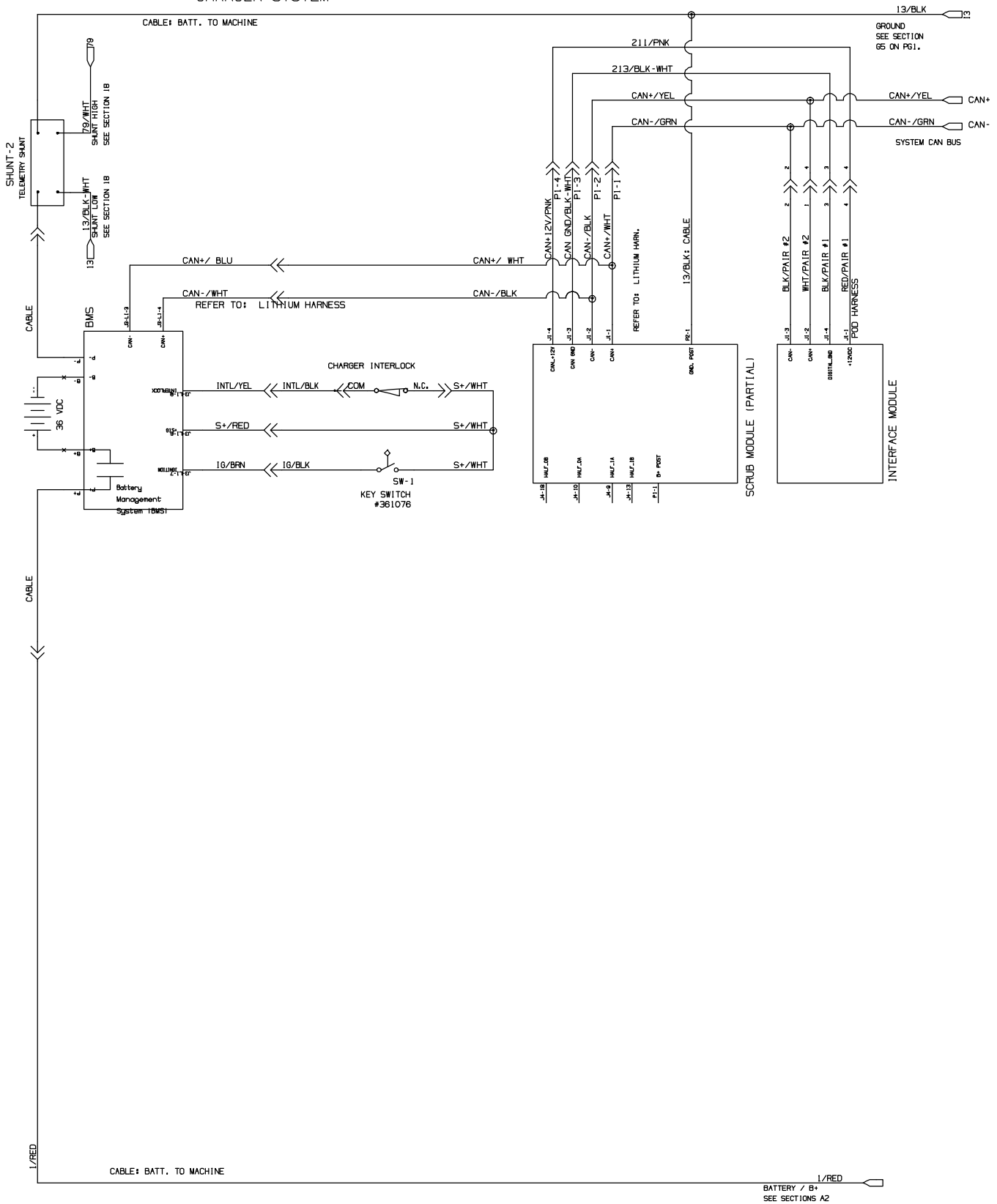


Fig. 36 - Wire Harnesses Group

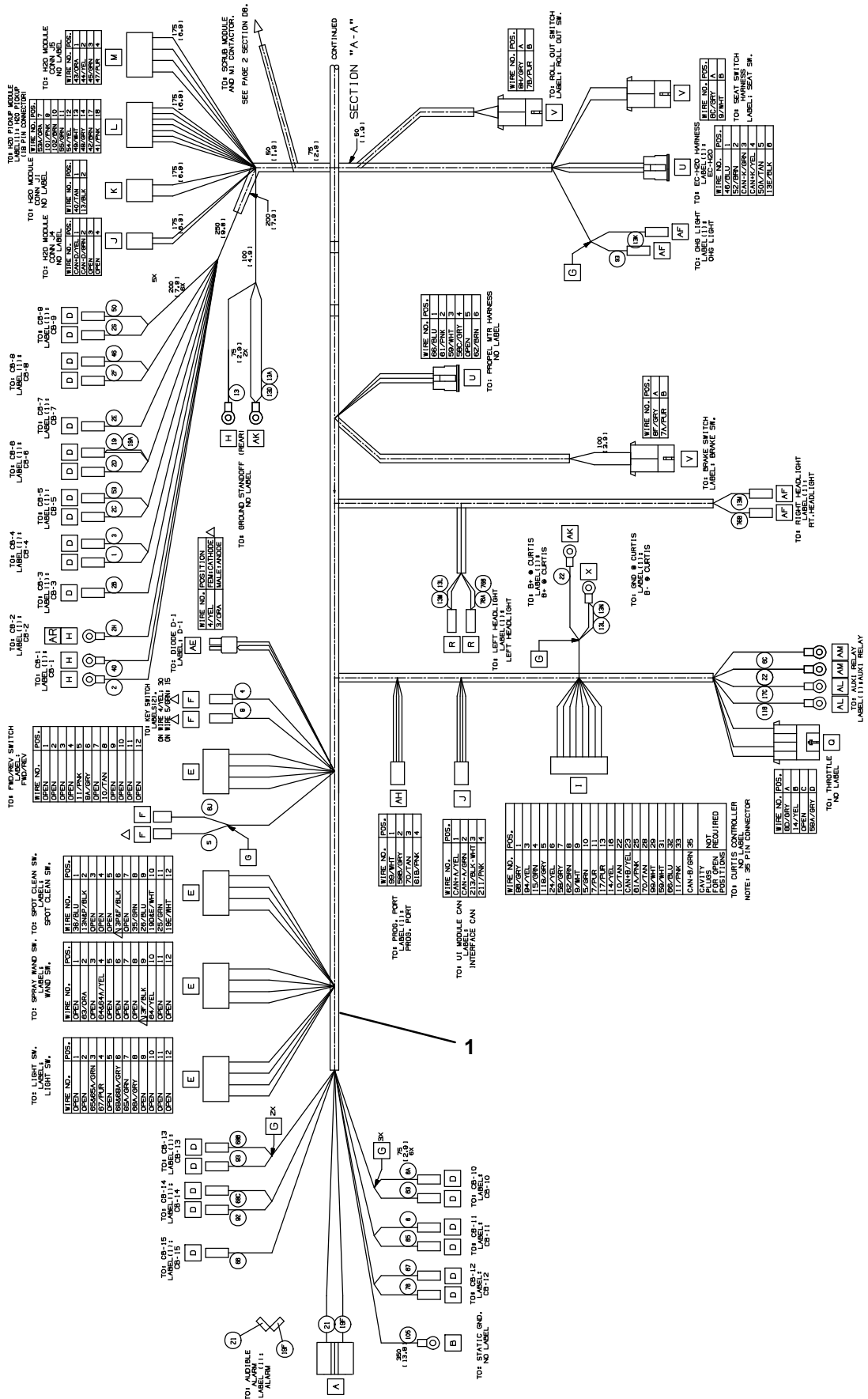


Fig. 36 - Wire Harnesses Group

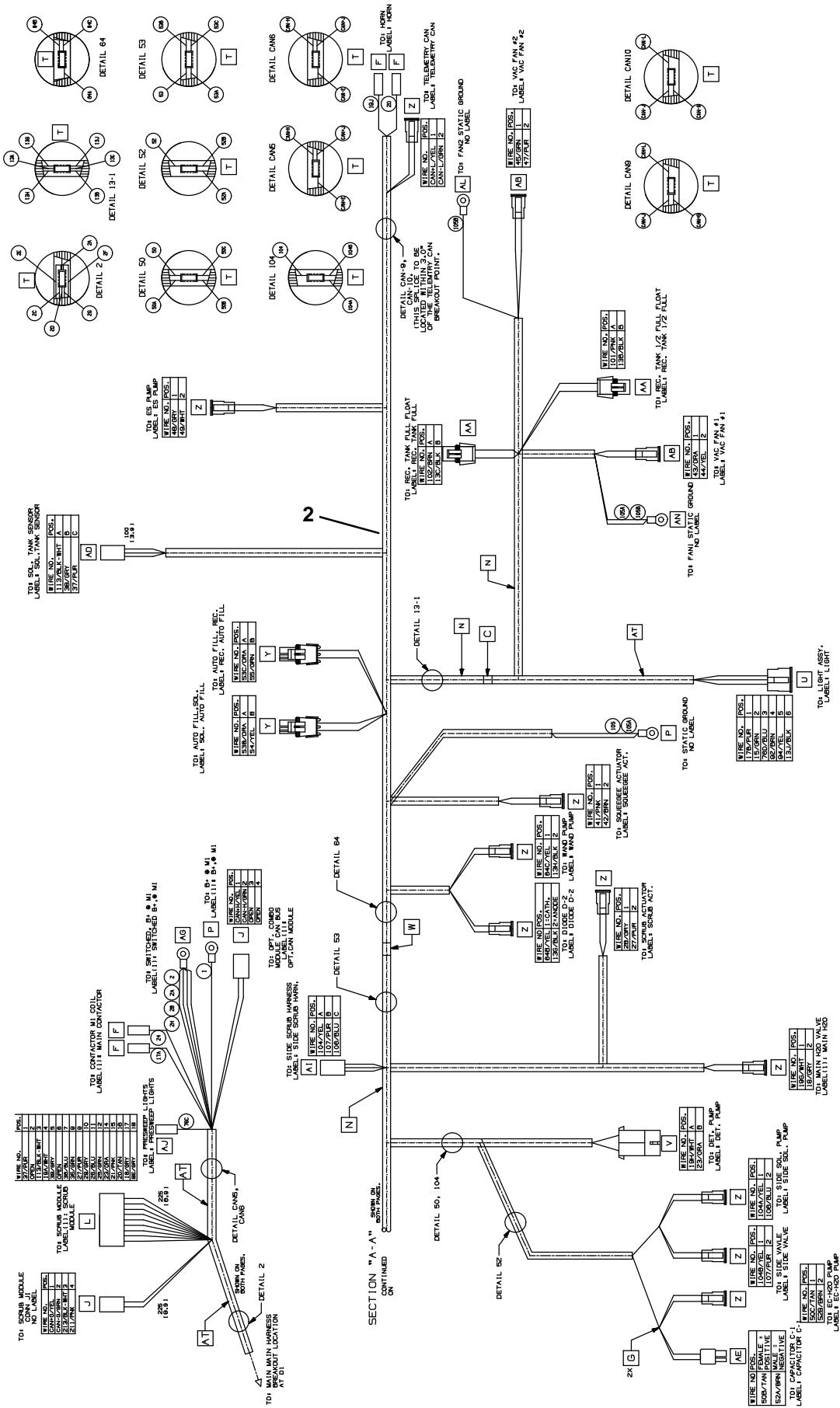


Fig. 36 - Wire Harnesses Group

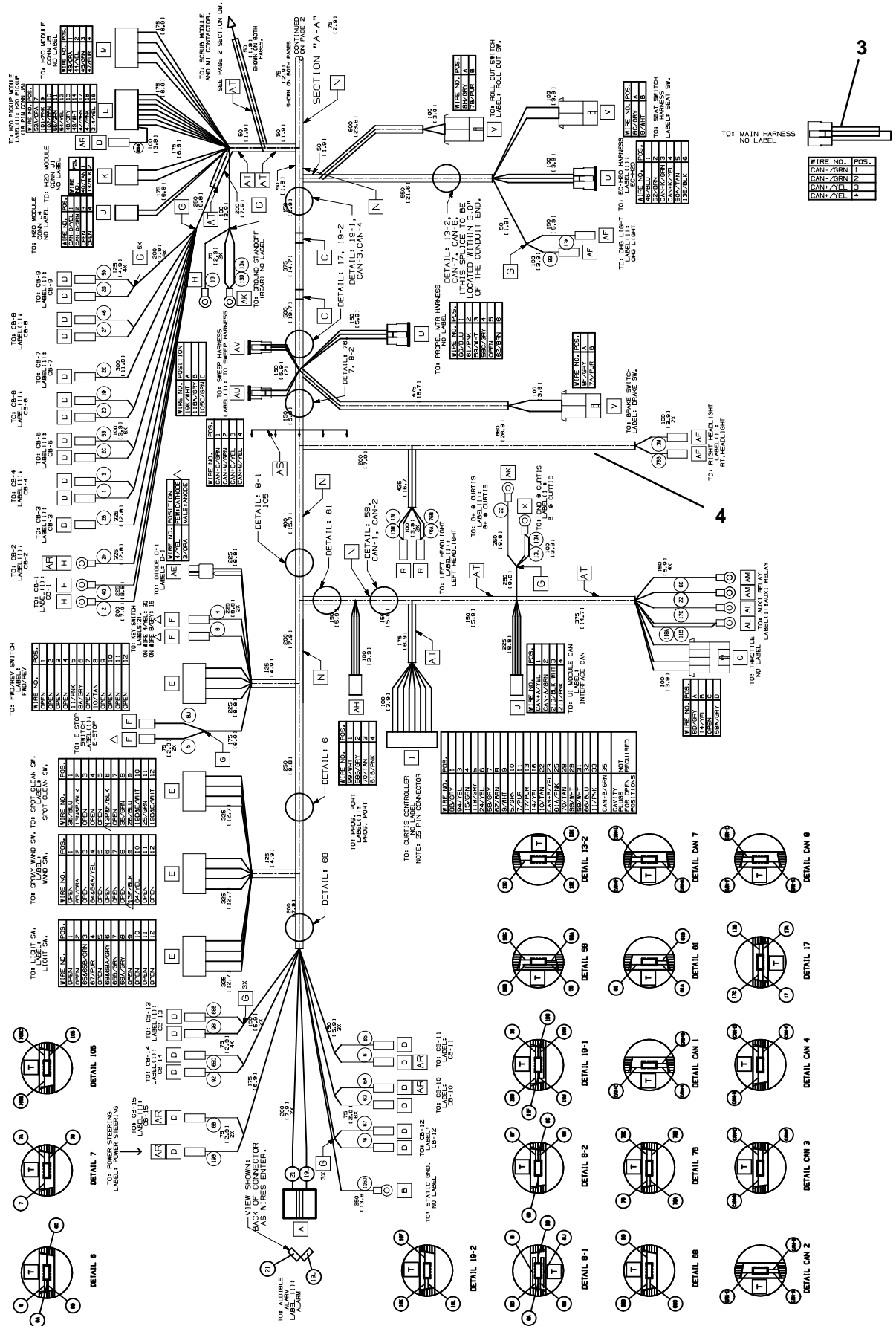


Fig. 36 - Wire Harnesses Group

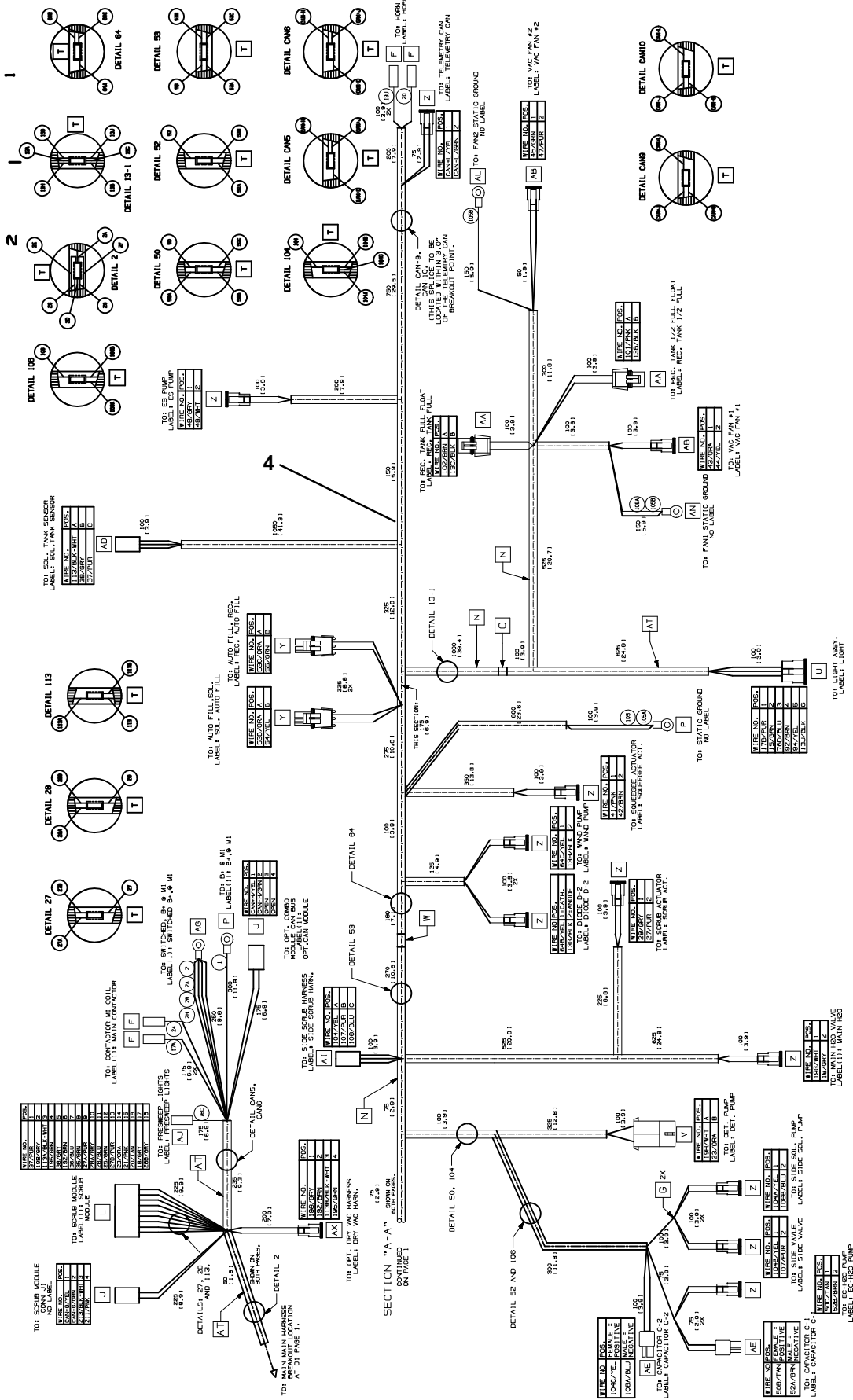


Fig. 36 - Wire Harness Group

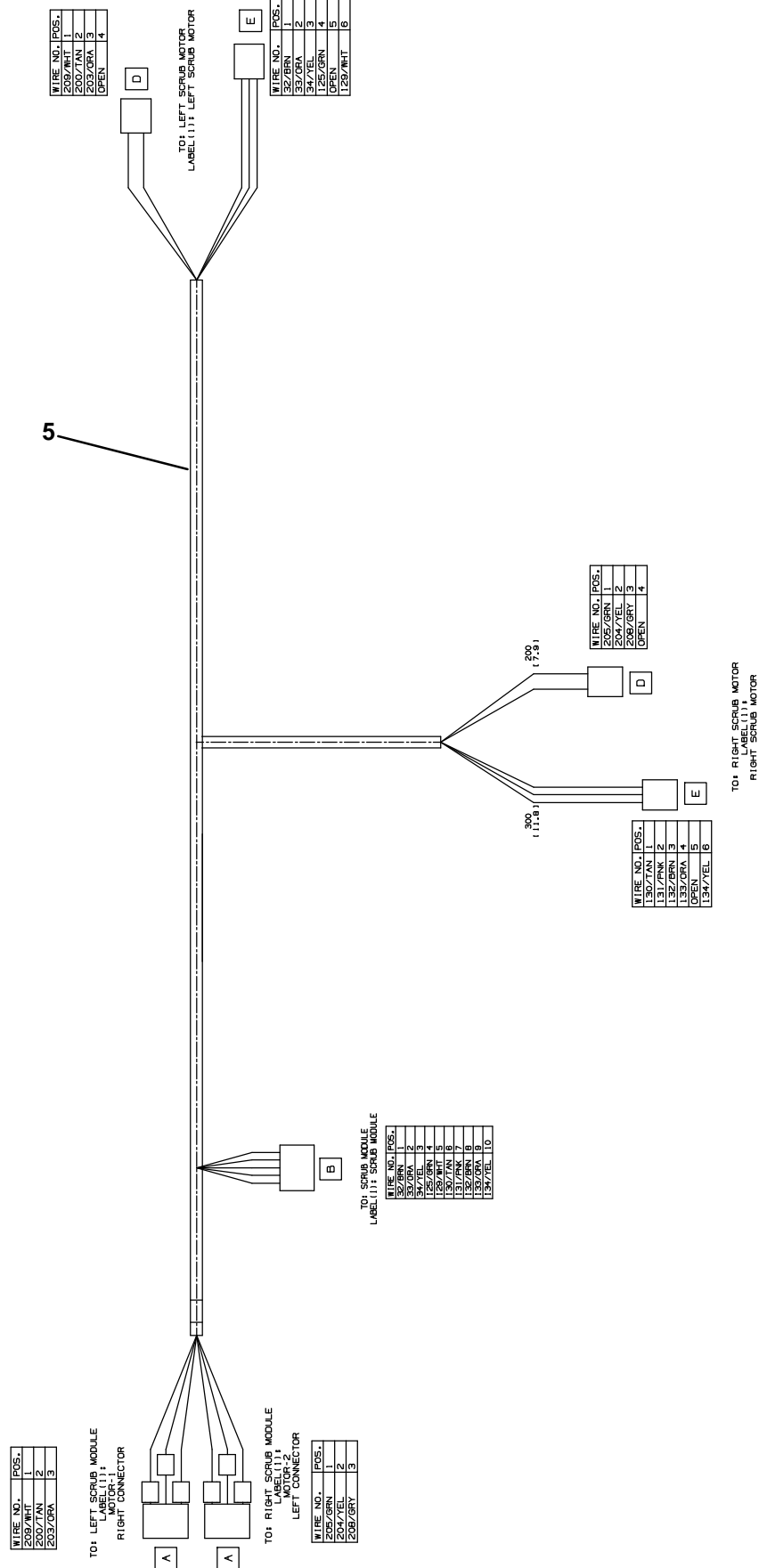
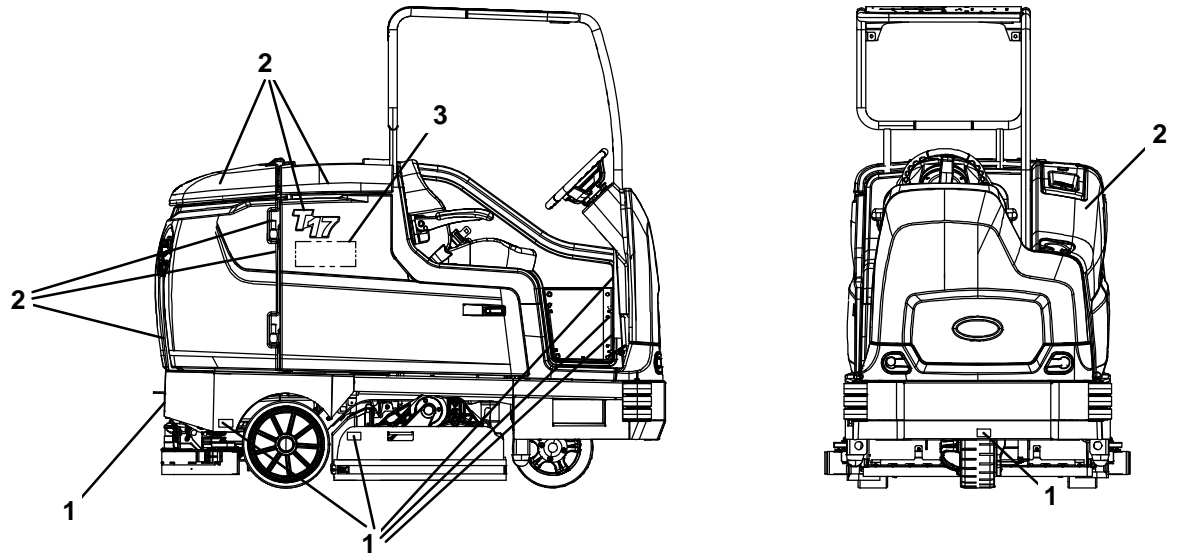


Fig. 36 – Wire Harnesses Group

Ref.	Part No.	Serial Number	Description	Qty.
1	9014994	(000000–010999)	Harness Kit, Main, Afmkt [T17]	1
2	1076435	(011000–013999)	Harness, Ele, Main	1
3	1074604	(011000–)	Harness, Ele [Can Adaptor, T17]	1
4	1076655	(014000–)	Harness, Ele, Main [M17/T17]	1
	1040868	(014000–)	Capacitor, plug [0.1 Uf, 200V] (With Scrubbing side brush)	1
5	1074103	(000000–)	Harness, Ele, Scrub motors [T17, Ferrite]	1

Fig. 37 – Label Group



356511

Ref.	Part No.	Serial Number	Description	Qty.
1	1225465	(000000–)	Label Set, Info/Hzrd Vinyl [T17/M17]	1
1	1213434	(000000–)	Label Set, Info/Hzrd Vinyl TJ [T17] (Japan Only)	1
2	1225464	(000000–)	Label Kit, Info/Hzrd Pyc [T17/M17]	1
2	1213435	(000000–)	Label Kit, Info/Hzrd Polycarbonate TJ [T17] (Japan Only)	1
3	1062813	(000000–)	Label, Logo, 12.3l 4color [Ec–H2o]	2
3	1065343	(000000–)	Label, Logo, 05.75l 2color [Es]	2

SECTION 3

Contents	Page	Contents	Page
Fig. 1 - Headlight Group	3-2	Fig. 42 - Battery and Charger Group, 510AH / 625AH	3-86
Fig. 2 - Strobe Light and Backup Alarm Kit	3-4	Fig. 43 - Battery and Charger Group, 750AH / 775AH	3-88
Fig. 3 - Strobe Light Kit, Overhead Guard	3-6	Fig. 44 - Battery and Charger Group, 930AH	3-90
Fig. 4 - Overhead Guard Group	3-8	Fig. 45 - Battery and Charger Group, 930AH, Opportunity Charging	3-92
Fig. 5 - Power Steering Group (000000- 010999)	3-10	Fig. 46 - Battery Group Lithium- Ion, 36V, 18.4Kwh	3-94
Fig. 6 - Power Steering Group (011000- 014649)	3-12	Fig. 47 - Battery Group Lithium- Ion, 36V, 38.8Kwh	3-96
Fig. 7 - Power Steering Group (014650-)	3-14	Fig. 48 - Battery Charger Group, Lithium- Ion	3-98
Fig. 8 - Power Steering Wire Harness Group	3-16	Fig. 49 - Ramp Climb Counter Weight Group	3-99
Fig. 9 - Transport Group	3-19	Fig. 50 - Fuel Cell Group (013000-)	3-100
Fig. 10 - Scrubbing Side Brush Lift Group	3-20	Fig. 51 - Pressure Washer Wand and Cover Group (013000-)	3-102
Fig. 11 - Scrubbing Side Brush Motor and Squeegee Group	3-22	Fig. 52 - Pressure Washer Solution Supply Group (013000-)	3-104
Fig. 12 - Scrubbing Side Brush Mount Group	3-24	Fig. 53 - Pressure Washer Motor and Pump Group (013000-)	3-106
Fig. 13 - Scrubbing Side Brush Solution Supply Group	3-26	Fig. 54 - Pressure Washer Electrical Group (013000-)	3-108
Fig. 14 - Scrubbing Side Brush Electrical Group	3-28	Fig. 55 - Pressure Washer Electrical Wire Harness Group (013000-)	3-109
Fig. 15 - Scrubbing Side Brush Wire Harness Group	3-30	Fig. 56 - Dry Vacuum Wand Group (014000-)	3-110
Fig. 16 - Sweeping Side Brush Drive Motor Group, Right Side	3-32	Fig. 57 - Dry Vacuum Rear Cover and Hinge Group (014000-)	3-112
Fig. 17 - Sweeping Side Brush Lift Group, Right Side	3-34	Fig. 58 - Dry Vacuum Fan and Housing Group (014000-)	3-114
Fig. 18 - Sweeping Side Brush Drive Motor Group, Left Side	3-36	Fig. 59 - Dry Vacuum Debris Tray and Filter Group (014000-)	3-116
Fig. 19 - Sweeping Side Brush Lift Group, Left Side	3-38	Fig. 60 - Dry Vacuum Nozzle Holder Group (014000-)	3-118
Fig. 20 - Sweeping Side Brush Electrical Group	3-40	Fig. 61 - Dry Vacuum Wire Harness Group (014000-)	3-120
Fig. 21 - Sweeping Side Brush Wire Harness Group	3-42	Fig. 62 - Battery Quick Disconnect Group (013000-)	3-122
Fig. 22 - Pre- Sweep Hopper Cover Group	3-44	Fig. 63 - Fire Extinguisher Kit	3-124
Fig. 23 - Pre- Sweep Hopper and Vacuum Fan Group	3-46	Fig. 64 - Extended Operation Station Group (013000-)	3-125
Fig. 24 - Pre- Sweep Brush Drive Group	3-48	Fig. 65 - Documentation Group (Online Only)	3-126
Fig. 25 - Pre- Sweep Brush Idler Group	3-50		
Fig. 26 - Pre- Sweep Side Brush Group	3-52		
Fig. 27 - Pre- Sweep Electrical Group	3-54		
Fig. 28 - Pre- Sweep Wire Harnesses Group	3-56		
Fig. 29 - Auto Fill Group	3-60		
Fig. 30 - ES Auto Fill Group	3-62		
Fig. 31 - ES Pump Group	3-64		
Fig. 32 - ES / Severe Environment / Detergent Metering Group	3-66		
Fig. 33 - ec- H2O Solution Pump Group	3-68		
Fig. 34 - ec- H2O solution Supply Group, Side Brush	3-70		
Fig. 35 - ec- H2O Wire Harness Group	3-72		
Fig. 36 - Spray Nozzle Group	3-74		
Fig. 37 - Vacuum Wand Kit	3-76		
Fig. 38 - Squeegee Guard Group	3-78		
Fig. 39 - Positive Drain Group	3-80		
Fig. 40 - Telemetry Group	3-82		
Fig. 41 - Battery Slide Out Group	3-84		

Fig. 1 - Headlight Group

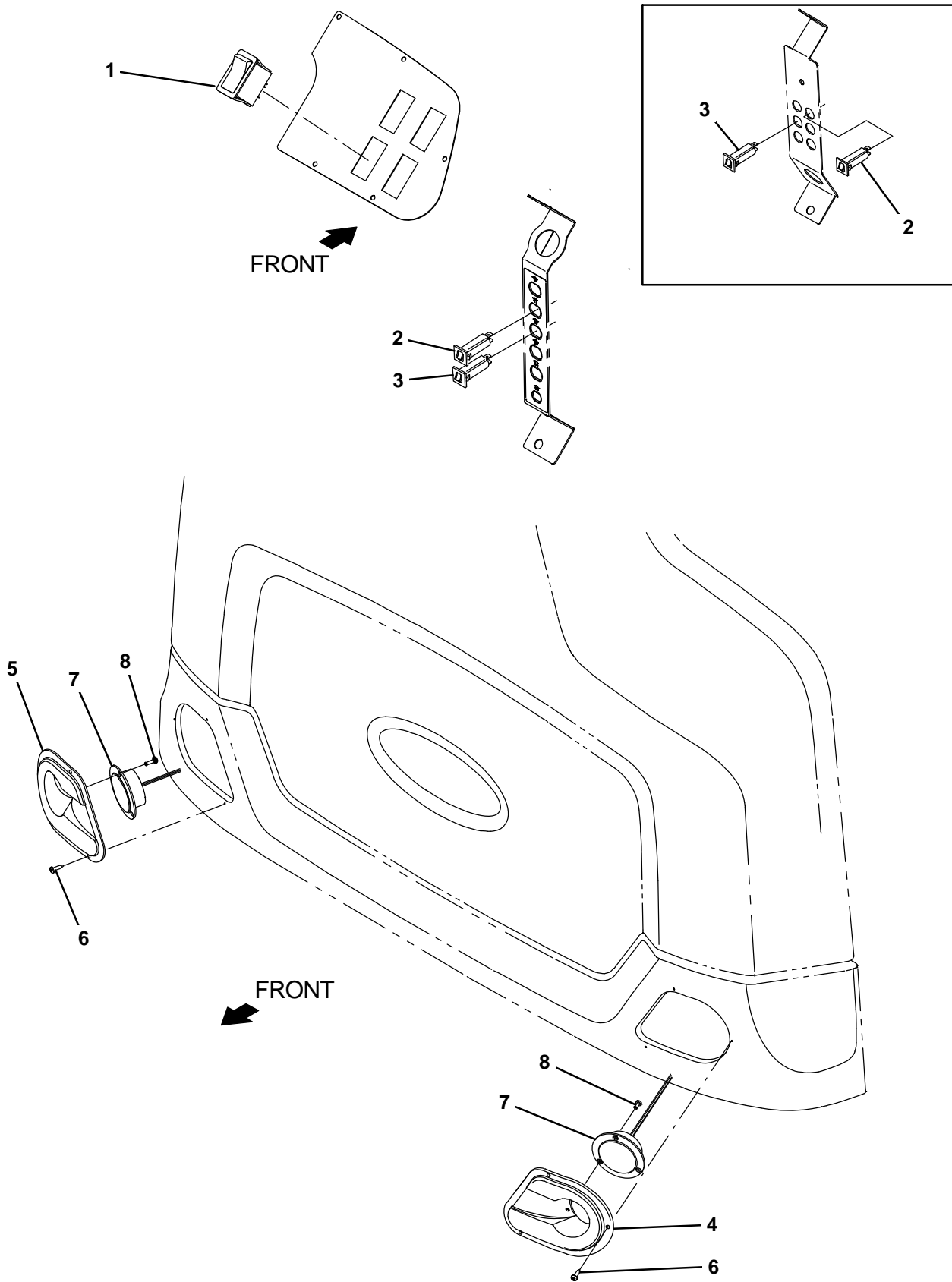


Fig. 1 - Headlight Group

Ref.	Part No.	Serial Number	Description	Qty.
1	377084	(000000-) Switch, Rocker, Prgrsv	1
2	1064188	(000000-) Circuitbreaker, 15.0a, Resetable	1
3	1064184	(000000-) Circuitbreaker, 02.5a, Resetable	1
4	1202870	(000000-) Bezel, Headlight, Lh [W/Inserts]	1
5	1202892	(000000-) Bezel, Headlight, Rh [W/Inserts]	1
6	140825	(000000-) Screw, Pan, Phl, 06 X 0.50, Fmg/Ab, Blk	6
7	9008182	(000000-) Light Assy, Pre-Sweep, Afmkt	2
8	06920	(000000-) Screw, Pan, Phl, M3 X 0.50 X 10, 4.8	6

Fig. 2 – Strobe Light and Backup Alarm Kit

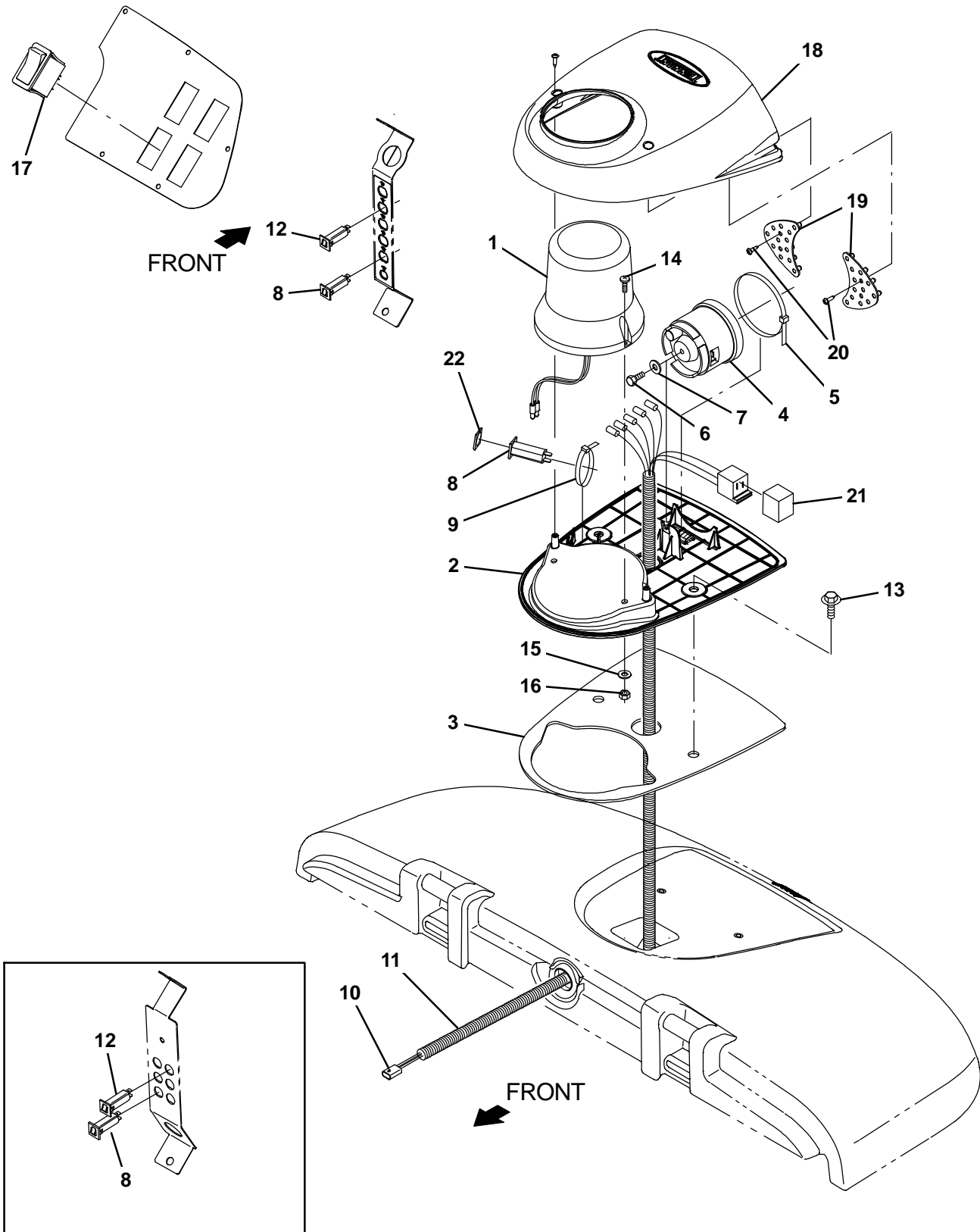


Fig. 2 – Strobe Light and Backup Alarm Kit

Ref.	Part No.	Serial Number	Description	Qty.
▽	9020109	(000000–) Light Kit, Strobe, Module CI [T17]	1
▲	1 1075296	(000000–) Light, Flsh, 12Vdc, Amb, Rwk	1
▲	2 1059938	(000000–) Base, Module, Light	1
▲	3 1063263	(000000–) Gasket, Base, Module	1
▲	4 1058694	(000000–) Alarm, Backup, 12–48vdc, Adj	1
▲	5 49263	(000000–) Tie, Cable, Nyl, 11.4l .19w 3.0 Max D	1
▲	6 19315	(000000–) Screw, Hex, .25–20 X 0.50, G5	1
▲	7 32483	(000000–) Washer, Flat, 0.25, Sae	1
▲	8 1064184	(000000–) Circuitbreaker, 02.5a, Resetable	2
▲	9 49266	(000000–) Tie, Cable, Nyl, 07.3l .19w 1.8 Max D	1
▲	10 1056979	(000000–) Harness, Wire, Alarm / Light [T16]	1
▲	11 48258	(000000–) Sleeve, Vyl, Flex, .23ld	1
▲	12 1064188	(000000–) Circuitbreaker, 15.0a, Resetable	1
▲	13 1020341	(000000–) Screw, Hex, M8 X 1.25 X 20, Ss, Sems	2
▲	14 06933	(000000–) Screw, Pan, Phl, M5 X 0.80 X 16, 4.8	2
▲	15 19066	(000000–) Washer, Flat, 0.25b 0.56d .05, Pl, 10	2
▲	16 06549	(000000–) Nut, Hex, Lock, M5 X 0.80, NI	2
▲	17 377084	(000000–) Switch, Rocker, Prgrsv	1
▲	18 1062106	(000000–) Cover, Module, Light	1
▲	19 1059342	(000000–) Light Assy, Led	1
▲	20 222267	(000000–) Screw, Pan, Phl, 06–20 X 0.50, Fmg/Ab	6
▲	21 398526	(000000–) Relay, 36Vdc, 005A, Spdt No [Greenwich]	1
▲	22 1064191	(000000–) Boot, Circuitbreaker	1

Fig. 3 – Strobe Light Kit, Overhead Guard

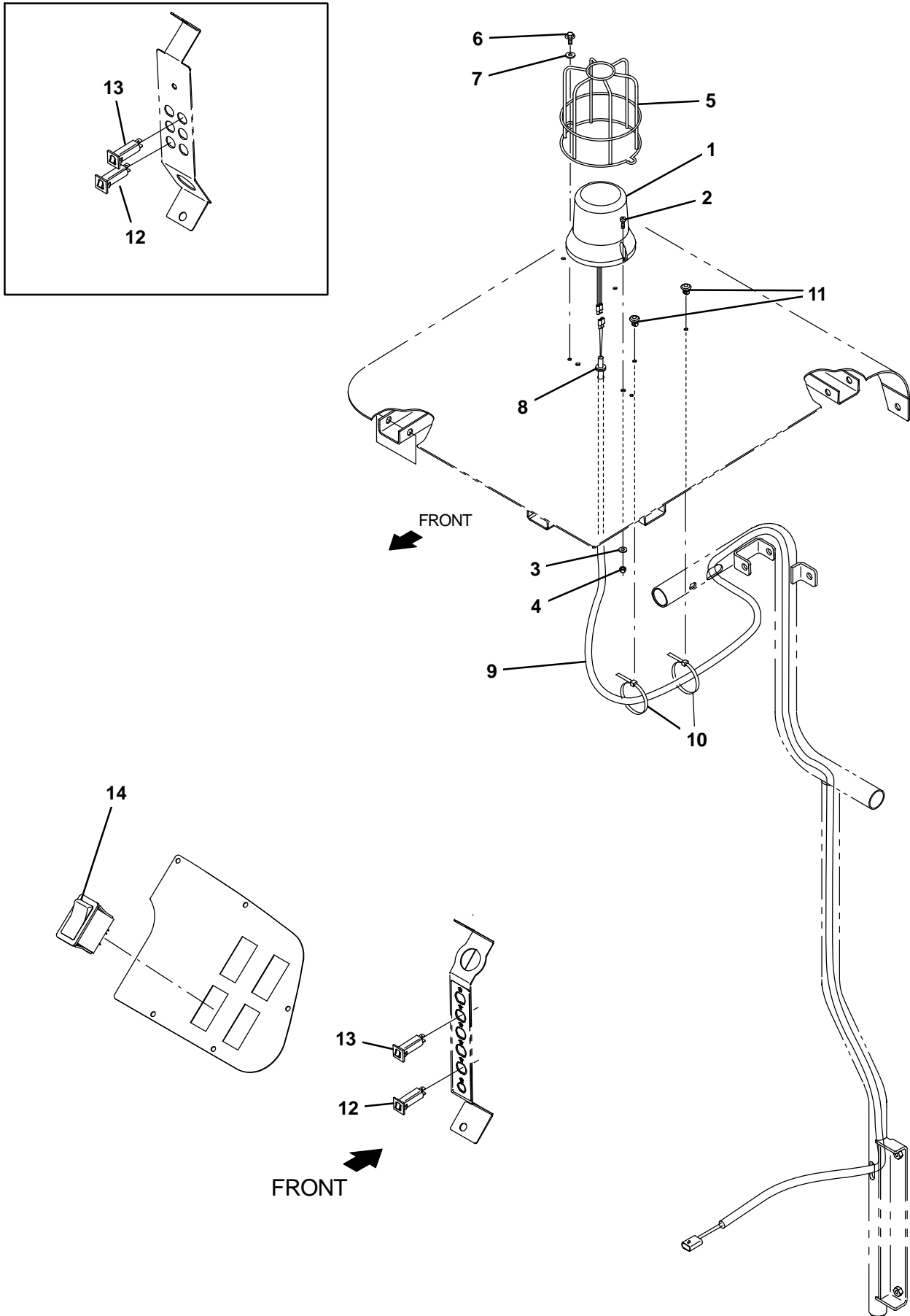


Fig. 3 – Strobe Light Kit, Overhead Guard

	Ref.	Part No.	Serial Number	Description	Qty.
▽		9020107	(000000–) Light Kit, Strobe, Ohg, Ci [T17]	1
▲	1	1075296	(000000–) Light, Flsh, 12Vdc, Amb, Rwk	1
▲	2	06933	(000000–) Screw, Pan, Phl, M5 X 0.80 X 16, 4.8	2
▲	3	19066	(000000–) Washer, Flat, 0.25b 0.56d .05, Pl, 10	2
▲	4	06549	(000000–) Nut, Hex, Lock, M5 X 0.80, NI	2
▲	5	1039392	(000000–) Guard, Light, Revl / Strobe	1
▲	6	74455	(000000–) Screw, Hex, M6 X 1.00 X 12, Fmg	2
▲	7	32490	(000000–) Washer, Flat, 0.25, Std	2
▲	8	10632–2	(000000–) Grommet, Rbr, 0.62id, F/0.9h, .12 Matl	1
▲	9	1069746	(000000–) Harness, Ele, Ohg [T12]	1
▲	10	130773	(000000–) Tie, Cable, Nyl, 11.0l, .14w, 3.0 Max. D	3
▲	11	1071085	(000000–) Clip, Tie, 0.25d, Plstc	3
▲	12	1064184	(000000–) Circuitbreaker, 02.5a, Resetable	2
▲	13	1064188	(000000–) Circuitbreaker, 15a, Resetable	1
▲	14	377084	(000000–) Switch, Rocker, Prgrsv	1

Fig. 4 - Overhead Guard Group

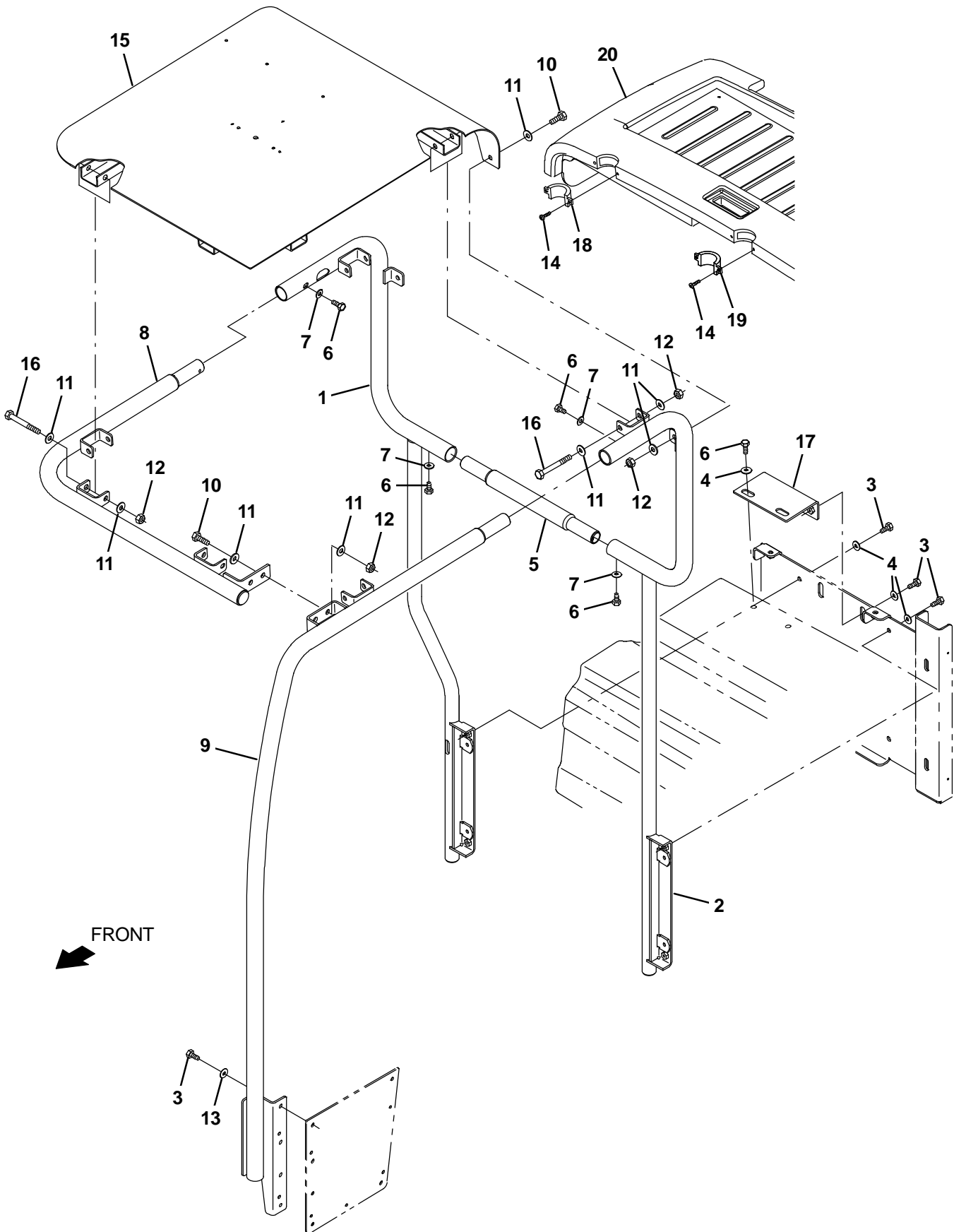


Fig. 4 – Overhead Guard Group

Ref.	Part No.	Serial Number	Description	Qty.
1	1204974	(000000-012999)	Tube Wldt, Ohg, Rh	1
1	1239312	(013000-)	Tube Wldt, Ohg, Rh	1
2	1204926	(000000-012999)	Tube Wldt, Ohg, Lh	1
2	1239309	(013000-)	Tube Wldt, Ohg, Lh	1
3	12273	(000000-)	Screw, Hex, M8 X 1.25 X 20, NI, Ss	10
4	1017218	(000000-)	Washer, Flat, 0.32B 1.00D .12, Ss	8
5	1208128	(000000-)	Tube, Ohg, Middle, Rear	1
6	49826	(000000-)	Screw, Hex, M8 X 1.25 X 16, NI, Ss	6
7	39349	(000000-)	Washer, Flat, 0.31, Sae	4
8	1207444	(000000-)	Tube Wldt, Front	1
9	1207725	(000000-)	Tube Wldt, Guard, Lh, Front	1
10	03192	(000000-)	Screw, Hex, M10 X 1.50 X 30, 8.8	4
11	01686	(000000-)	Washer, Flat, 0.44b 1.00d .08, Ss	20
12	41430	(000000-)	Nut, Hex, Lock, M10 X 1.5, NI	10
13	01685	(000000-)	Washer, Flat, 0.38b 0.88d .08, Ss	4
14	1060103	(000000-)	Screw, Pan, Phl, 08-16 X 1.13, F/ Plstc	4
15	1204972	(000000-)	Guard Wldt, Top, Ohg	1
16	03193	(000000-)	Screw, Hex, M10 X1.50 X 90, 8.8	6
17	1209915	(000000-)	Bracket Wldt, Mtg, Ohg	1
18	1208710	(000000-)	Cover, Ohg, Trim, Rh	1
19	1208714	(000000-)	Cover, Ohg, Trim, Lh	1
20	9013767	(000000-010299)	Kit, Replmt, Cover, Battery, OHG	1
20	9013795	(000000-010299)	Kit, Replmt, Cover, Battery, OHG, JP (Japan)	1
20	9018982	(013000-)	Cover, Battery, Ohg [T/M17]	1

Fig. 5 - Power Steering Group (000000-010999)

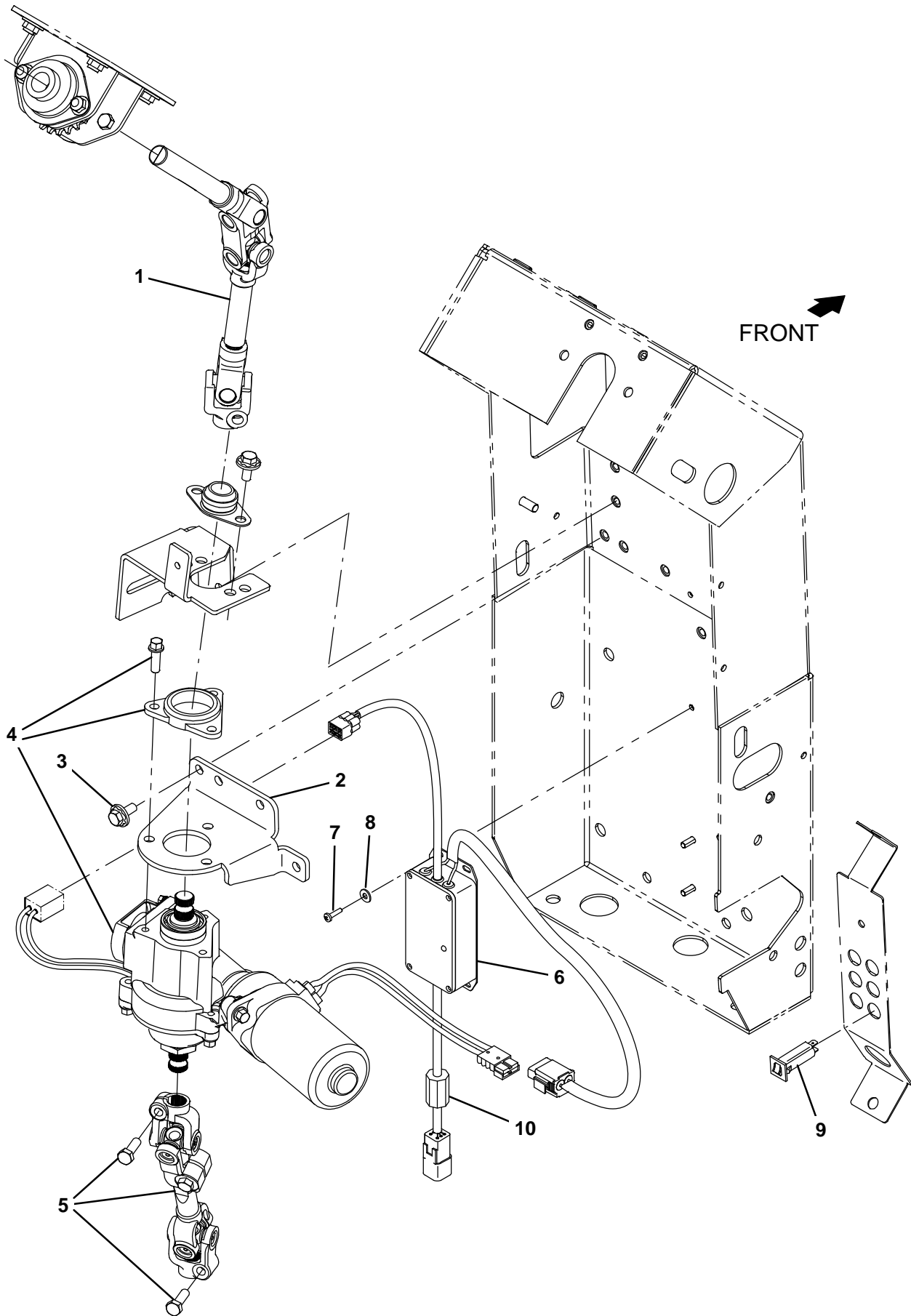


Fig. 5 – Power Steering Group (000000–010999)

Ref.	Part No.	Serial Number	Description	Qty.
1	1208122	(000000–010999)	Shaft, Steering, Power, Upper	1
2	1205262	(000000–010999)	Bracket, Mtg, Steering	1
3	1020341	(000000–010999)	Screw, Hex, M8 X 1.25 X 20, Ss, Sems	4
4	1204306	(000000–010999)	Motor Assy, Steering, Power, 12v	1
5	1209652	(000000–010999)	Shaft, Steering, Power, Lower	1
6	1208907	(000000–010999)	Controller, Steering, 36v	1
7	24265	(000000–010999)	Screw, Pan, Phl, M4 X 0.70 X 16, Ss	3
8	01683	(000000–010999)	Washer, Flat, 10, Ss	3
9	1064188	(000000–010999)	Circuitbreaker, 15.0a, Resetable	1
10	1052126	(000000–010999)	Inductor, 12.7Mm [156 Imp At 25Mhz]	1

Fig. 6 - Power Steering Group (011000-014649)

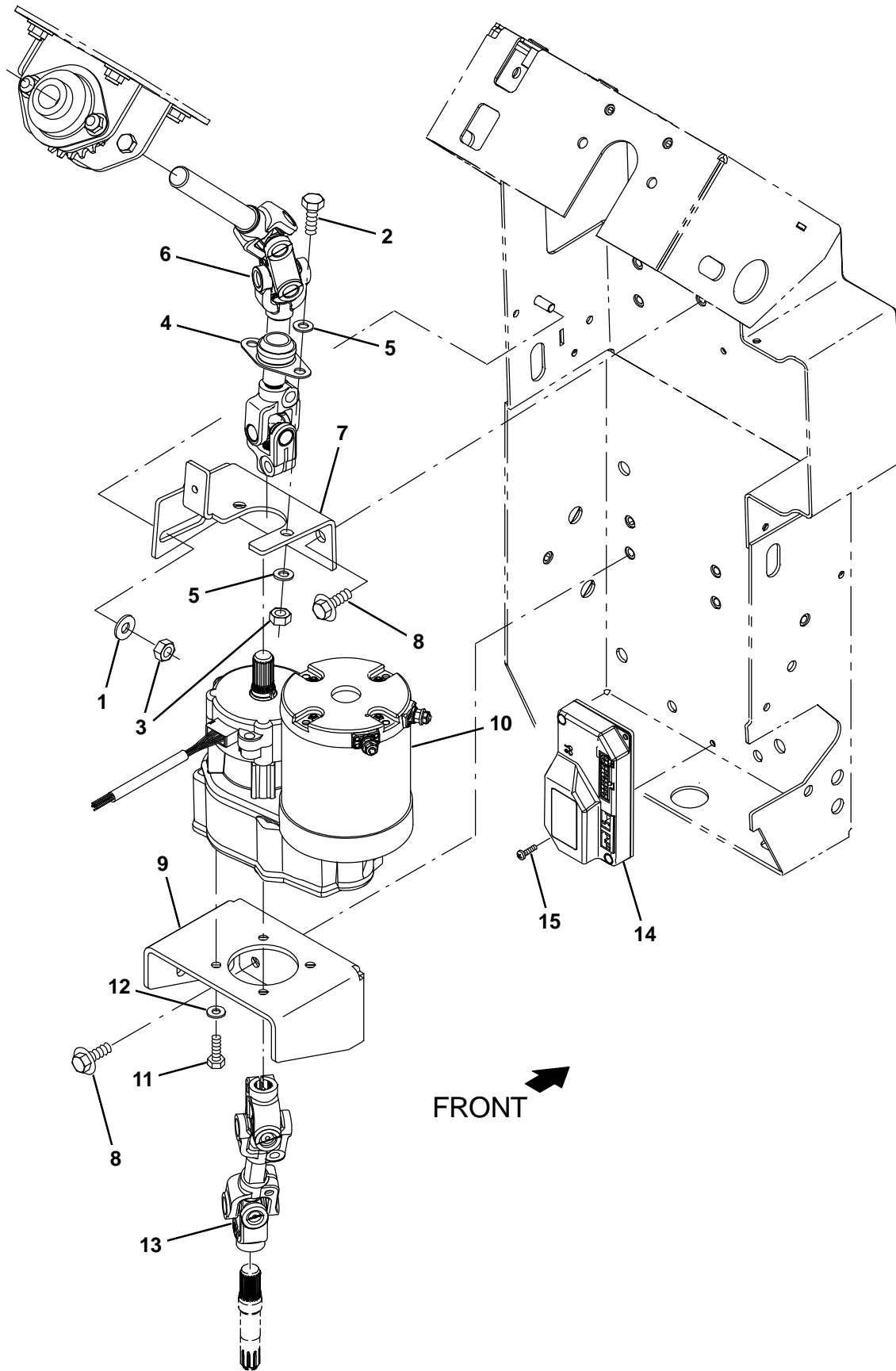


Fig. 6 - Power Steering Group (011000-014649)

Ref.	Part No.	Serial Number	Description	Qty.
1	32491	(011000-014649)	Washer, Flat, 0.31, Std	4
2	16931	(011000-014649)	Screw, Hex, M8 X 1.25 X 20, 8.8	2
3	08709	(011000-014649)	Nut, Hex, Lock, M8 X 1.25, NI	5
4	223065	(011000-014649)	Bearing, Flng, 2hole, 0.75b [Nyl]	1
5	39349	(011000-014649)	Washer, Flat, 0.31, Sae	4
6	1224777	(011000-014649)	Shaft, Steering, Power, Upper (Only used with old Power Steering Motors)	1
7	1214737	(011000-014649)	Bracket, Brg, Steering (Only used with old Power Steering Motors)	1
8	1020341	(011000-014649)	Screw, Hex, M8 X 1.25 X 20, Ss, Sems	7
9	1214622	(011000-014649)	Bracket, Sppt, Motor	1
▽	10	9018436	(011000-014649) Kit, Field Install, Power Steering	1
▲	11	12274	(011000-014649) Screw, Hex, M6 X 1.00 X 20, 8.8, NI	4
▲	12	32483	(011000-014649) Washer, Flat, 0.25, Sae	4
▲		1008142	(011000-014649) Switch, Snap, 25a Spdt	1
	13	1224776	(011000-014649) Shaft, Steering, Power, Lower	1
▽	14	9018436	(011000-014649) Kit, Field Install, Power Steering	1
▲	15	06927	(011000-014649) Screw, Pan, Phl, M4 X 0.70 X 16, 4.8	2
▲		1008142	(011000-014649) Switch, Snap, 25a Spdt	1

Fig. 7 - Power Steering Group (014650-)

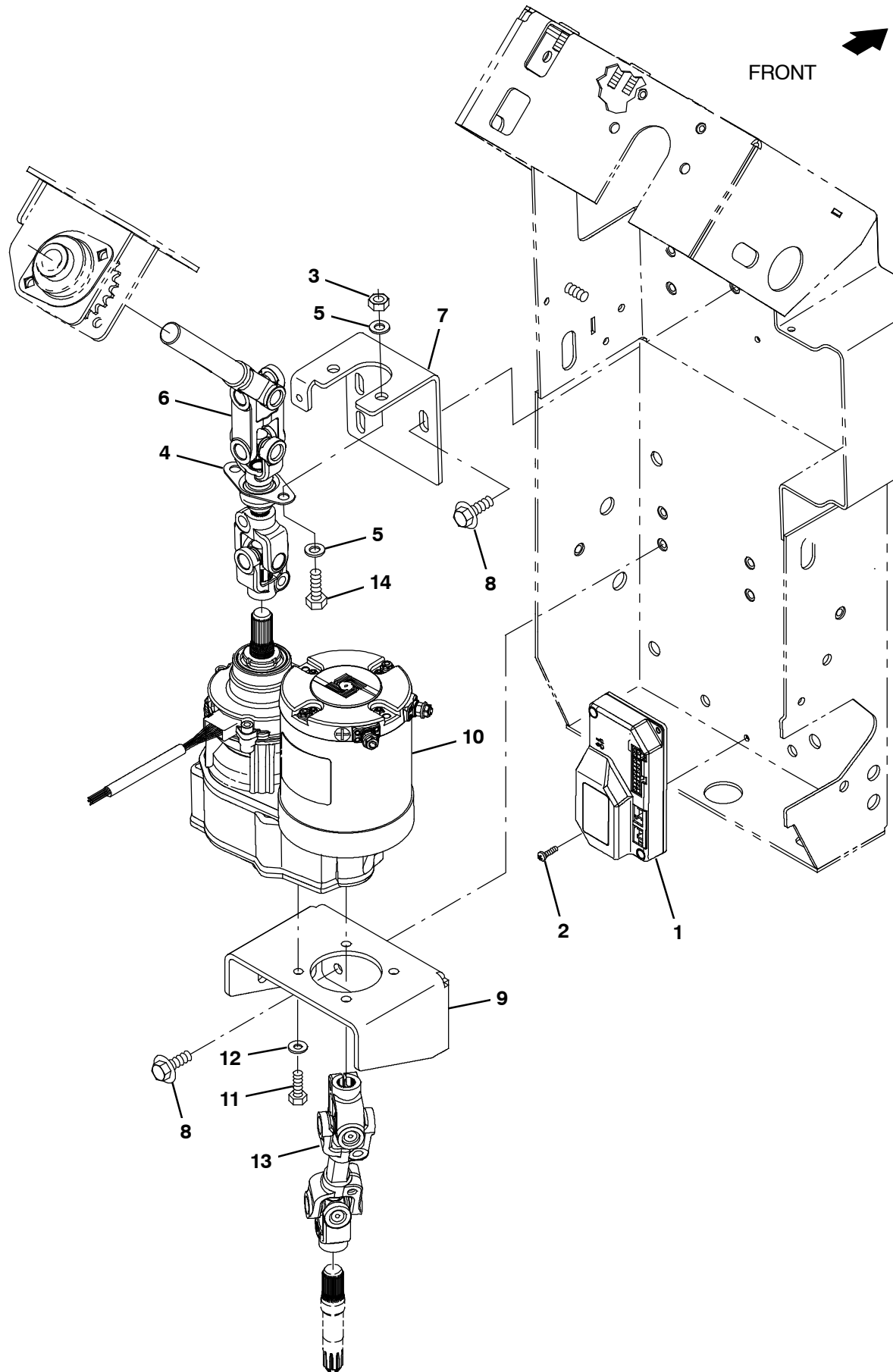


Fig. 6 - Power Steering Group (014650-)

	Ref.	Part No.	Serial Number	Description	Qty.
▽	1	9021687	(014650-) Kit, Controller, Steer Motor, Ci [M17]	1
▲	2	06927	(014650-) Screw, Pan, Phl, M4 X 0.70 X 16, 4.8	2
▲		1008142	(014650-) Switch, Snap, 25a Spdt	1
	3	08709	(014650-) Nut, Hex, Lock, M8 X 1.25, NI	5
	4	223065	(014650-) Bearing, Flng, 2hole, 0.75b [Nyl]	1
	5	39349	(014650-) Washer, Flat, 0.31, Sae	4
	6	1239800	(014650-) Shaft, Steering, Power, Upper	1
	7	1249795	(014650-) Bracket, Shaft Bearing, Steering	1
	8	1020341	(014650-) Screw, Hex, M8 X 1.25 X 20, Ss, Sems	7
	9	1214622	(014650-) Bracket, Sppt, Motor	1
▽	10	9021686	(014650-) Kit, Steering Motor, Ci [M17/T17]	1
▲	11	12274	(014650-) Screw, Hex, M6 X 1.00 X 20, 8.8, NI	4
▲	12	32483	(014650-) Washer, Flat, 0.25, Sae	4
▲		1008142	(014650-) Switch, Snap, 25a Spdt	1
	13	1224776	(014650-) Shaft, Steering, Power, Lower	1
	14	16931	(014650-) Screw, Hex, M8 X 1.25 X 20, 8.8	2

Fig. 8 – Power Steering Wire Harness Group

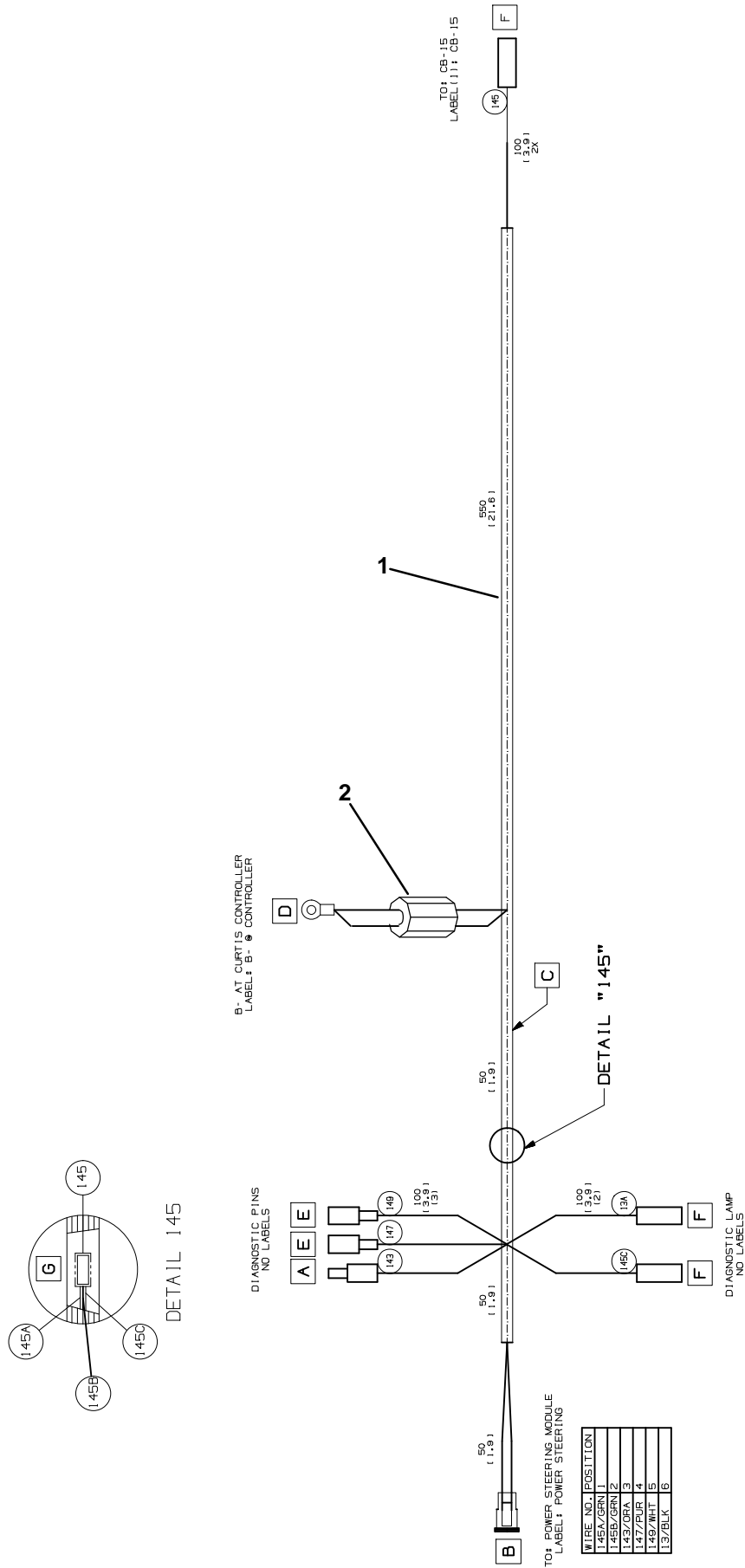


Fig. 8 - Power Steering Wire Harness Group

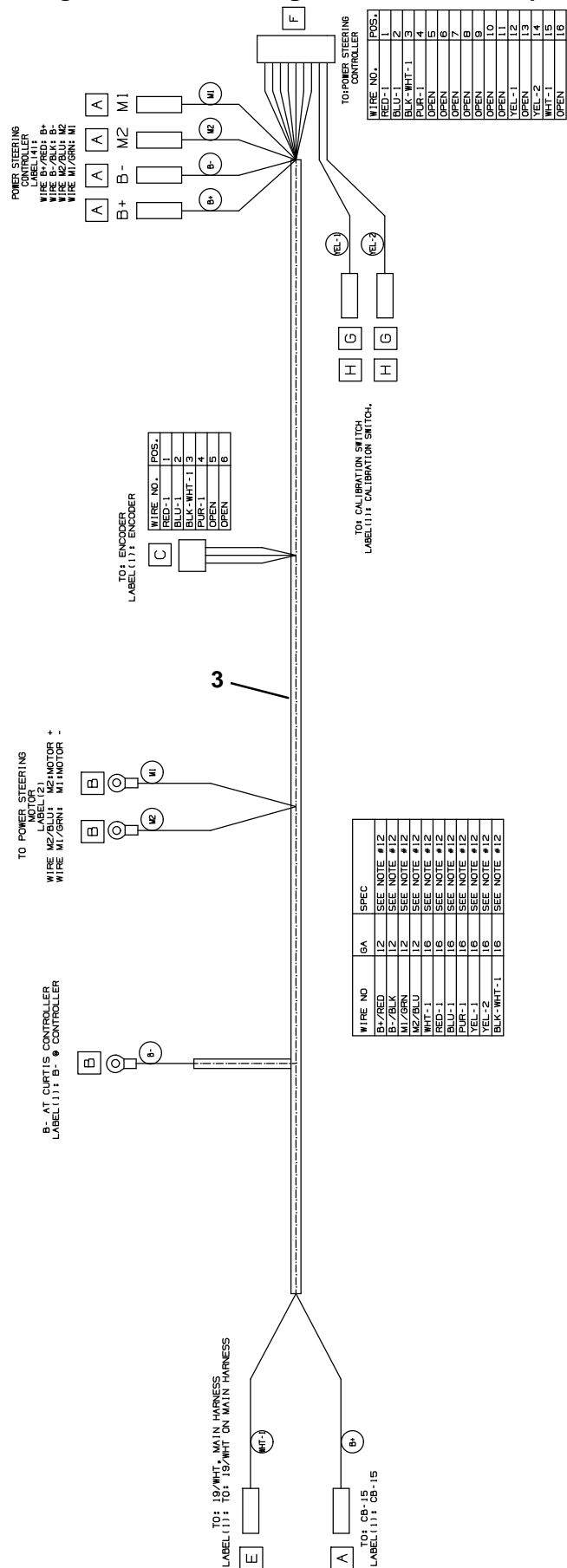
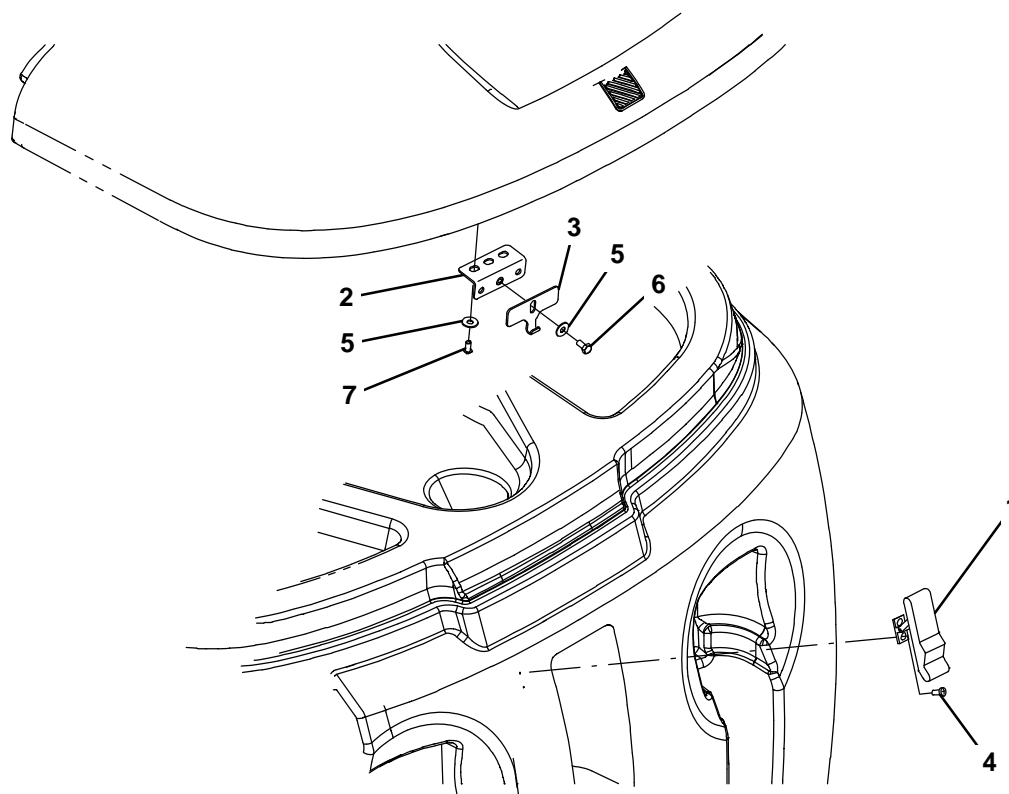


Fig. 8 - Power Steering Wire Harness Group

Ref.	Part No.	Serial Number	Description	Qty.
1	1073062	(000000-010999)	Harness, Ele [Power Steering, T17]	1
2	1060276	(000000-) Inductor, 36.2 Mml, Rnd [Ferrite 1-300Hz]	1
3	1074598	(011000-) Harness, Ele [Steering, M17/T17]	1

Fig. 9 – Transport Group



356513

Ref.	Part No.	Serial Number	Description	Qty.
1	49800	(000000–) Latch	1
2	1040800	(000000–) Bracket, Latch, Cover	1
3	1040634	(000000–) Plate, Hook, Latch	1
4	382320	(000000–) Screw, Pan, Phl, 12–16 X 0.50, F/ Plstc	2
5	01684	(000000–) Washer, Flat, 0.27b 0.69d .05, Ss	3
6	09744	(000000–) Screw, Hex, M6 X 1.00 X 12, Ss	1
7	222267	(000000–) Screw, Pan, Phl, 06–20 X 0.50, Fmg/Ab	2

Fig. 10 – Scrubbing Side Brush Lift Group

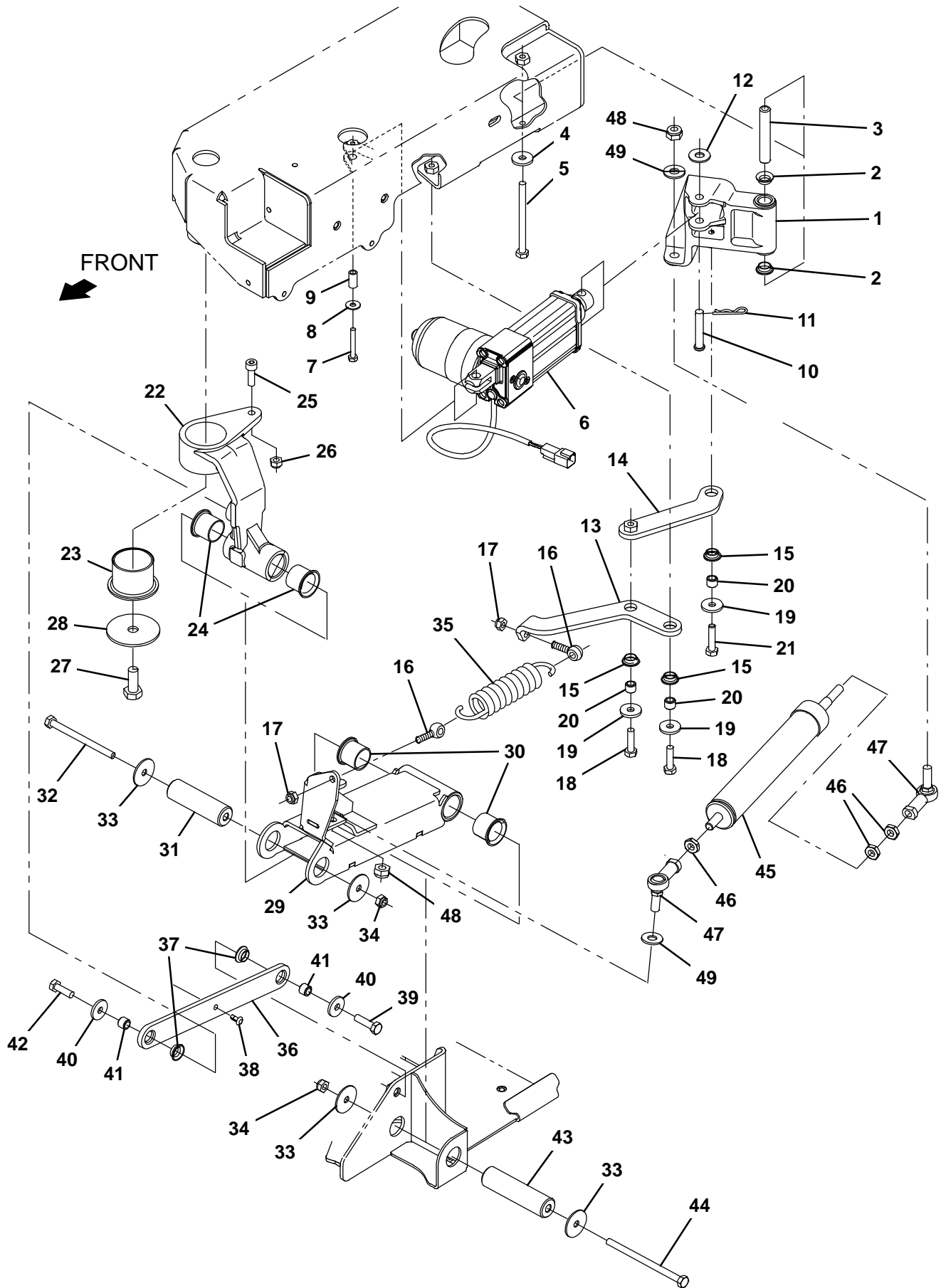


Fig. 10 – Scrubbing Side Brush Lift Group

	Ref.	Part No.	Serial Number	Description	Qty.
▽	1	9020268	(000000–)	Pivot Arm Kit, Act, Sba, Afmkt [T17]	1
▲	2	1054662	(000000–)	Bushing, Flng, 0.50b 0.59d 0.25l	2
▲	3	1206723	(000000–)	Sleeve, P/M, 0.32b 0.50d 3.03l	1
	4	1017218	(000000–)	Washer, Flat, 0.32b 1.00d .12, Ss	1
	5	386299	(000000–)	Screw, Hex, M8 X 1.25 X 100, Ss	1
	6	1201500	(000000–)	Actuator, 36vdc, 2.75strk, 450lb	1
	7	33930	(000000–)	Screw, Hex, M6 X 1.00 X 40, Ss	1
	8	01684	(000000–)	Washer, Flat, 0.27b 0.69d .05, Ss	1
	9	1206722	(000000–)	Sleeve, P/M, 0.25b 0.38d 0.8l	1
	10	29584	(000000–)	Pin, Clevis, 0.37d X 2.00l	1
	11	44906	(000000–)	Pin, Cotter, Hair, 0.38d .093 Wir	1
	12	01686	(000000–)	Washer, Flat, 0.44b 1.00d .08, Ss	1
	13	1206422	(000000–)	Arm, Spring, Tensioner	1
	14	1206602	(000000–)	Arm Wldt, Spring, Tension	1
	15	1054662	(000000–)	Bushing, Flng, 0.50b 0.59d 0.25l	3
	16	69998	(000000–)	Bolt, Eye, M8 X 1.25 X 030mm, 08.00 Eye	2
	17	08713	(000000–)	Nut, Hex, Lock, M8 X 1.25, NI, Ss	2
	18	09011	(000000–)	Screw, Hex, M8 X 1.25 X 30, Ss	2
	19	1017218	(000000–)	Washer, Flat, 0.32b 1.00d .12, Ss	3
	20	1207656	(000000–)	Sleeve, P/M, 0.32b 0.50d 0.4l [430ss]	3
	21	59658	(000000–)	Screw, Hex, M8 X 1.25 X 35, NI, Ss	1
▽	22	9011054	(000000–)	Pivot Arm Kit, Sba, Afmkt [T12]	1
▲	23	1201101	(000000–)	Bushing, Flng, 1.75b 1.94d 1.50l	1
▲	24	54618	(000000–)	Bushing, Flng, 1.00b 1.13d 1.00l	2
▲	25	39308	(000000–)	Screw, Soc, M8 X 1.25 X 25, 12.9	1
▲	26	08713	(000000–)	Nut, Hex, Lock, M8 X 1.25, NI, Ss	1
	27	12309	(000000–)	Screw, Hex, M12 X 1.75 X 30, Ss	1
	28	1200634	(000000–)	Washer, Flat, 0.48b 2.50d .12, Ss	1
▽	29	9020248	(000000–010999)	Channel Assy, Lift, Sba, Afmkt [T17]	1
▲	30	54618	(000000–010999)	Bushing, Flng, 1.00b 1.13d 1.00l	2
▽	29	9014996	(011000–)	Channel Assy, Lift, Sba, Afmkt [T17]	1
▲	30	54618	(011000–)	Bushing, Flng, 1.00b 1.13d 1.00l	2
	31	1210581	(000000–)	Pin, Pivot, Sba	1
	32	386299	(000000–)	Screw, Hex, M8 X 1.25 X 100, Ss	1
	33	1011719	(000000–)	Washer, Flat, 0.33b 1.38d .08, Ss	4
	34	08713	(000000–)	Nut, Hex, Lock, M8 X 1.25, NI, Ss	2
	35	1031413	(000000–)	Spring, Extn, 1.68od 0.20wir 07.5l	1
▽	36	9020249	(000000–)	Link Kit, Upper, Sba, Afmkt [T17]	1
▲	37	1054662	(000000–)	Bushing, Flng, 0.50b 0.59d 0.25l	2
	38	1210807	(000000–)	Wire, Tie [W/.25" Fir Tree Clip]	1
	39	09011	(000000–)	Screw, Hex, M8 X 1.25 X 30, Ss	1
	40	1017218	(000000–)	Washer, Flat, 0.32b 1.00d .12, Ss	2
	41	1207656	(000000–)	Sleeve, P/M, 0.32b 0.50d 0.4l [430ss]	2
	42	09010	(000000–)	Screw, Hex, M8 X 1.25 X 25, Ss	1
	43	1209678	(000000–)	Pin, Pivot, Sba	1
	44	1210312	(000000–)	Screw, Hex, M8 X 1.25 X 120, Ss	1
▽	45	9010938	(000000–)	Spring Assy, Replmt, Afmkt [T12]	1
▲	46	763064	(000000–)	Nut, Hex, Jam, M10 X 1.5, [Din439]	3
▲	47	05686	(000000–)	Rod–End, M10 X 1.5rh Fem M10 X 1.5stud	2
▲	48	08714	(000000–)	Nut, Hex, Lock, M10 X 1.5, NI, Ss	2
▲	49	01686	(000000–)	Washer, Flat, 0.44b 1.00d .08, Ss	2

Fig. 11 – Scrubbing Side Brush Motor and Squeegee Group

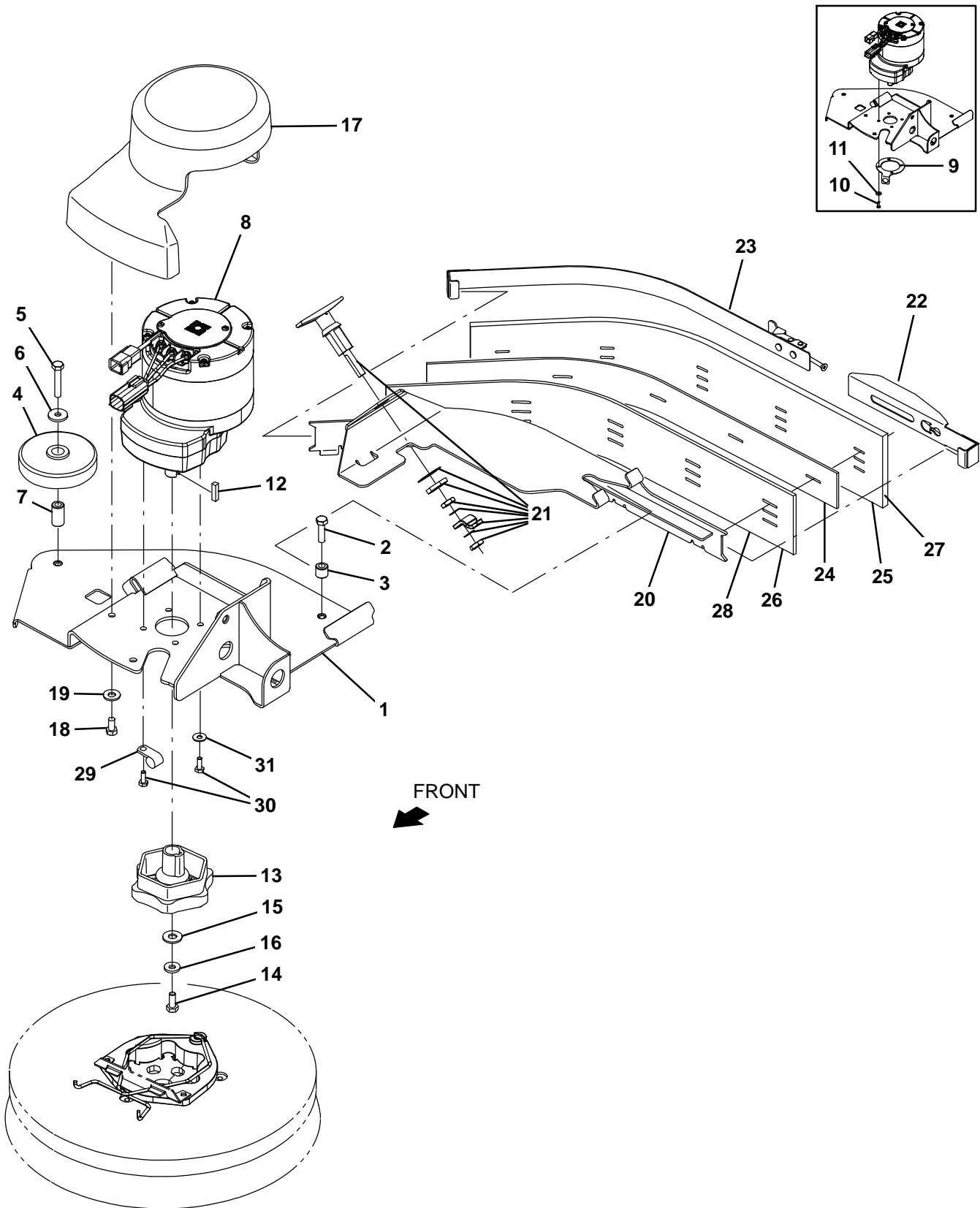


Fig. 11 – Scrubbing Side Brush Motor and Squeegee Group

Ref.	Part No.	Serial Number	Description	Qty.	
1	1205307	(000000–)	Bracket Wldt, Deck	1	
2	09011	(000000–)	Screw, Hex, M8 X 1.25 X 30, Ss	1	
3	80409	(000000–)	Sleeve, P/M, 0.34b 0.63d 0.6l, Bnz	1	
4	363162	(000000–)	Wheel, 04.0d 0.89w 0.64b	1	
5	222505	(000000–)	Screw, Hex, M8 X 1.25 X 45, Ss	1	
6	1017218	(000000–)	Washer, Flat, 0.32b 1.00d .12, Ss	1	
7	363301	(000000–)	Sleeve, P/M, 0.34b 0.63d 1.2l, Bnz	1	
8	1206475	(000000–)	Motor, Ele, 36 Vdc, 350 Rpm 1.25 Hp Gear	1	
9	1207718	(000000–010497)	Plate, Sppt (Replaced by 9014344)	1	
10	11329	(000000–010497)	Screw, Hex, M6 X 1.00 X 16, Ni, Ss	4	
11	01684	(000000–010497)	Washer, Flat, 0.27b 0.69d .05, Ss	4	
12	00928	(000000–)	Key, Sq, 0.25 X 0.25, 1.00l	1	
13	377364	(000000–)	Hub, Drive, Brush, Disk, 0.75b [6t]	1	
14	12273	(000000–)	Screw, Hex, M8 X 1.25 X 20, Ni, Ss	1	
15	01686	(000000–)	Washer, Flat, 0.44b 1.00d .08, Ss	1	
16	41186	(000000–)	Washer, Flat, Belleville, .31	1	
17	9020217	(000000–)	Cover, Motor, Sba, Afmkt[T17]	1	
18	15675	(000000–)	Screw, Hex, M8 X 1.25 X 16, Ss	2	
19	01685	(000000–)	Washer, Flat, 0.38b 0.88d .08, Ss	2	
▽	9020247	(000000–)	Squeegee Assy, Sba, Afmkt [T17]	1	
▲	20	1206597	(000000–)	Bracket Wldt, Sqge, Sba	1
▲	21	1201149	(000000–)	Latch, Compression, Sqge, Sba	1
▲	22	1201609	(000000–)	Retainer Wldt, Sqge, Sba	1
▲	23	1206592	(000000–)	Retainer Wldt, Sqge, Sba	1
▲	24	1206598	(000000–)	Spacer, Blade	1
▲	25	1206589	(000000–)	Blade, Sqge, Sba, Linatex	1
▲	26	1206599	(000000–)	Blade, Sqge, Sba, Inner	1
	27	1212163	(000000–)	Blade, Sqge, Sba, (Urethane)	1
	27	1212210	(000000–)	Blade, Sqge, Sba, (Gum Rubber)	1
	28	1212211	(000000–)	Blade, Sqge, Sba, Inner, (Urethane)	1
	28	1212212	(000000–)	Blade, Sqge, Sba, Inner, (Gum Rubber)	1
	29	26395–1	(010498–)	Clamp, Cable, Stl, 0.56D X 0.38W, 1 Hole	1
	30	11635	(010498–)	Screw, hex, M6 X 1.00 X 12, Ss	4
	31	01684	(010498–)	Washer, flat, 0.27B 0.69D .05, Ss	3

Fig. 12 – Scrubbing Side Brush Mount Group

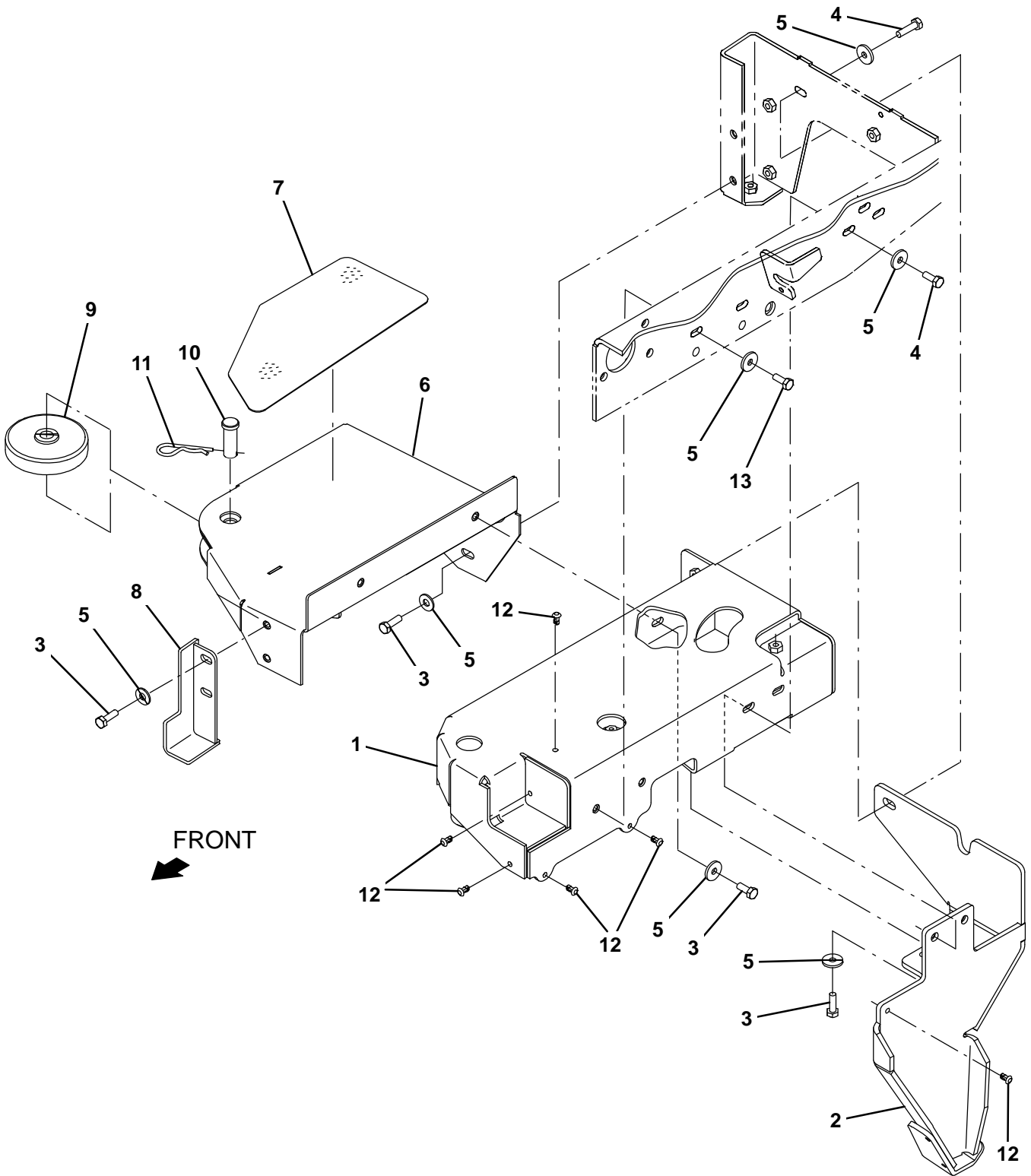


Fig. 12 – Scrubbing Side Brush Mount Group

Ref.	Part No.	Serial Number	Description	Qty.
1	1205299	(000000–010999)	Cover Wldt, Sba	1
1	1222170	(011000–)	Cover Wldt, Sba	1
2	1206805	(000000–010999)	Bracket Wldt, Skid, Anti–Roll	1
2	1225419	(011000–)	Bracket Wldt, Skid, Anti–Roll	1
3	09010	(000000–)	Screw, Hex, M8 X 1.25 X 25, Ss	6
4	09011	(000000–)	Screw, Hex, M8 X 1.25 X 30, Ss	3
5	1017218	(000000–)	Washer, Flat, 0.32b 1.00d .12, Ss	12
6	1206809	(000000–)	Bracket Wldt, Step, Sba	1
7	1207657	(000000–)	Tread, Non–Skid–Step, 6.3w 12.8l, Sba	1
8	1208021	(000000–)	Door Wldt, Mtg, Sba	1
9	363162	(000000–)	Wheel, 04.0d 0.89w 0.64b	1
10	1207866	(000000–)	Pin, Clevis, 0.625d X 1.75l	1
11	55094	(000000–)	Pin, Cotter, Hair, 0.75d .148 Wir	1
12	1071085	(000000–)	Clip, Tie, 0.25d, Plstc	6
13	09740	(000000–)	Screw, Hex, M8 X 1.25 X 20, Ss	2

Fig. 13 – Scrubbing Side Brush Solution Supply Group

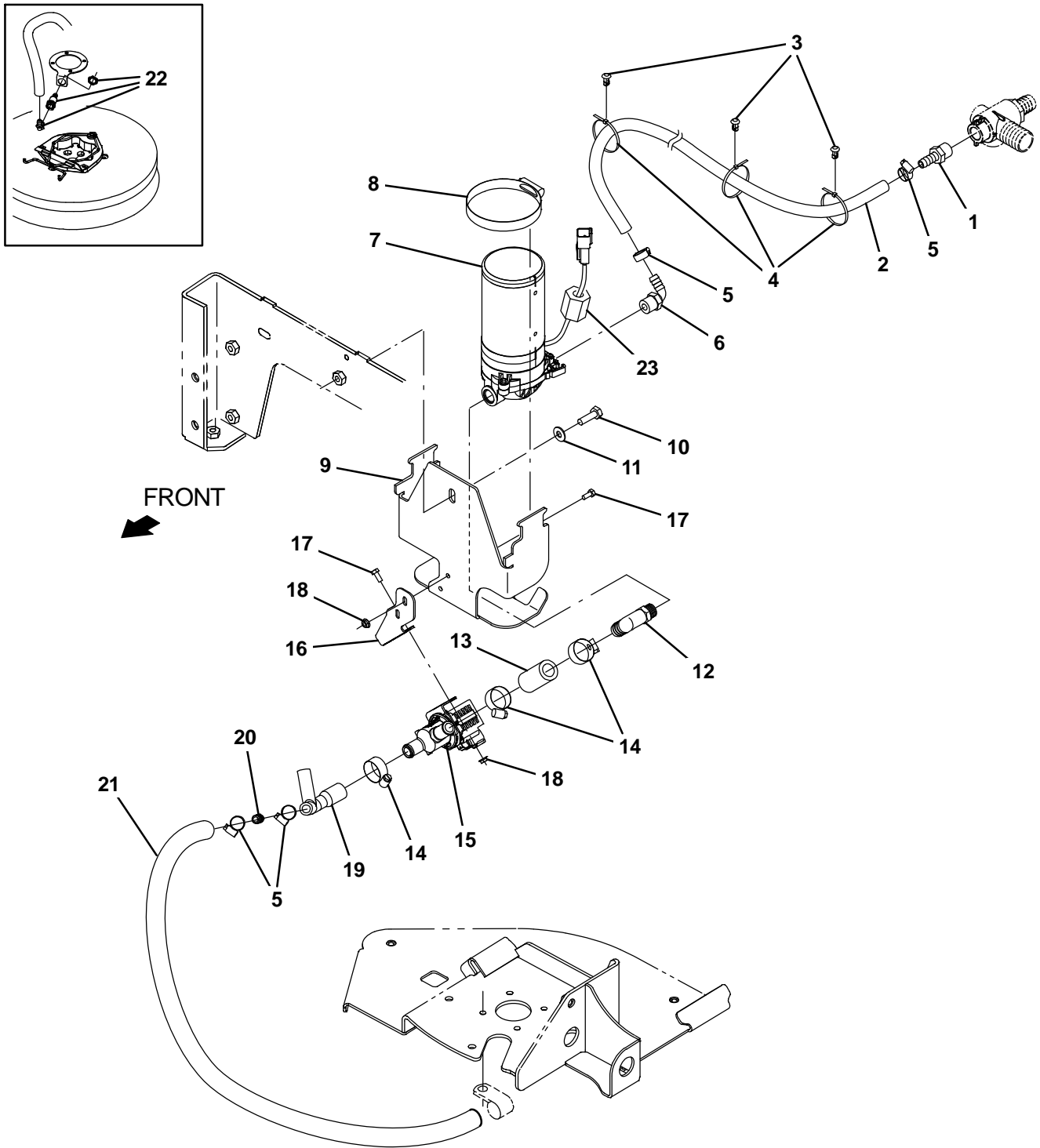


Fig. 13 – Scrubbing Side Brush Solution Supply Group

Ref.	Part No.	Serial Number	Description	Qty.
1	150538	(000000–) Fitting, Plstc, Str, Bm06/Pm06	1
2	1006400	(000000–) Hose, Afmkt, Pvc, Brd, 0.38id, 03ft, Clr	1
3	1071085	(000000–) Clip, Tie, 0.25d, Plstc	3
4	130773	(000000–) Tie, Cable, Nyl, 11.0l, .14w, 3.0 Max. D	3
5	43844	(000000–) Clamp, Hose, Wormdrive, 0.25–0.62d, .31w	4
6	1005630	(000000–) Fitting, Plstc, E90, Bm06/Pm06, Nyl	1
7	1200328	(000000–) Pump, Soltn, Ele, 36vdc, 60psi	1
8	43555	(000000–) Clamp, Hose, Wormdrive, 2.62–3.50d	1
9	1206138	(000000–010999) Bracket, Pump	1
9	1221952	(011000–) Bracket, Pump	1
10	09010	(000000–) Screw, Hex, M8 X 1.25 X 25, Ss	1
11	32490	(000000–) Washer, Flat, 0.25, Std	1
12	1208433	(000000–) Fitting, Plstc, E90, Bm10/Pm06	1
13	1015025	(000000–) Hose, Afmkt, Pvc, Brd, 0.62id, 02ft, Clr	1
14	63810	(000000–) Clamp, Hose, Wormdrive, 0.56–1.06d, .56w	3
15	9016496	(000000–011669) Valve Kit, Replacement 36V Hi Flow	1
15	1075238	(011670–) Walve, Water, Solenoid – 36V	1
16	1208434	(000000–) Bracket, Mount, Sba Valve	1
17	09738	(000000–) Screw, Hex, M5 X 0.80 X 12, Ss	4
18	07789	(000000–) Nut, Hex, Flng, M5 X 0.80	4
19	1208432	(000000–) Manifold, Sba	1
20	20950	(000000–) Fitting, Plstc, Str, Bm06/Bm06	1
21	1014976	(000000–) Hose, Afmkt, Pvc, Brd, 0.38id, 08ft, Clr	1
22	9014344	(000000–010497) Hose Kit, Brush, Side [T17]	1
23	1227867	(000000–) Inductor, Ferrite [Split Case, 407@1'00Hz]	1

Fig. 14 – Scrubbing Side Brush Electrical Group

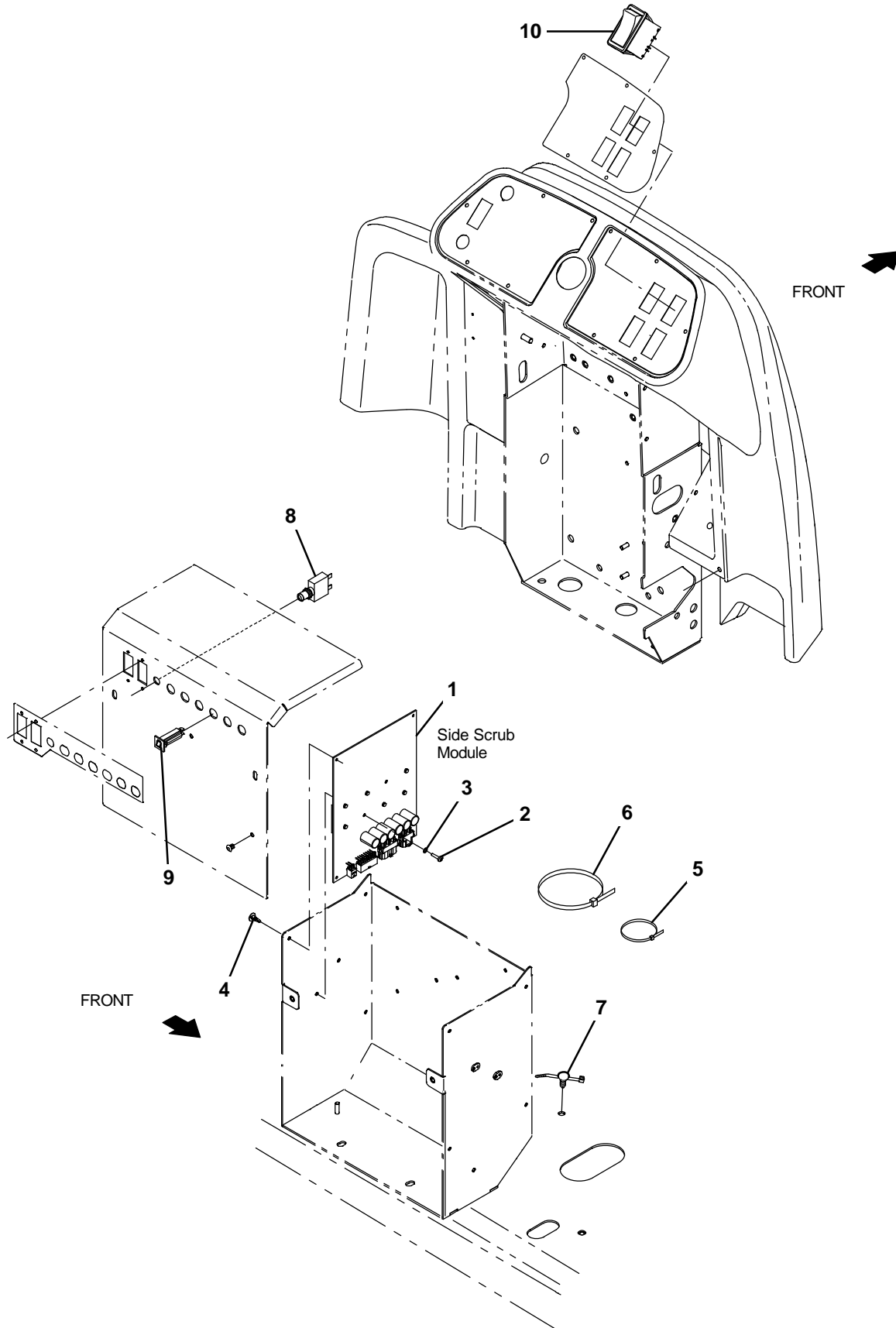


Fig. 14 – Scrubbing Side Brush Electrical Group

Ref.	Part No.	Serial Number	Description	Qty.
1	9020230	(000000–) Circuit Board Kit, Sba, Afmkt [T17]	1
2	06926	(000000–) Screw, Pan, Phl, M4 X 0.70 X 10, 4.8	2
3	1202860	(000000–) Washer, Flat, 0.17b 0.31d .03, Nyl	2
4	1210399	(000000–) Stand–Off, Circuitboard [0.25”]	4
5	763114	(000000–) Tie, Cable, 11.3l, 2.75d Max	3
6	222809	(000000–) Tie, Cable, Nyl, 29.8l .30w 9.0 Max D	1
7	1210807	(000000–) Wire, Tie [W/.25” Fir Tree Clip]	7
8	383726	(000000–) Circuitbreaker, 35.0a, Resetable	1
9	1064184	(000000–) Circuitbreaker, 02.5a, Resetable	1
10	397889	(000000–) Switch, Rocker, Dpst, On / None / On	1

Fig. 15 – Scrubbing Side Brush Wire Harness Group

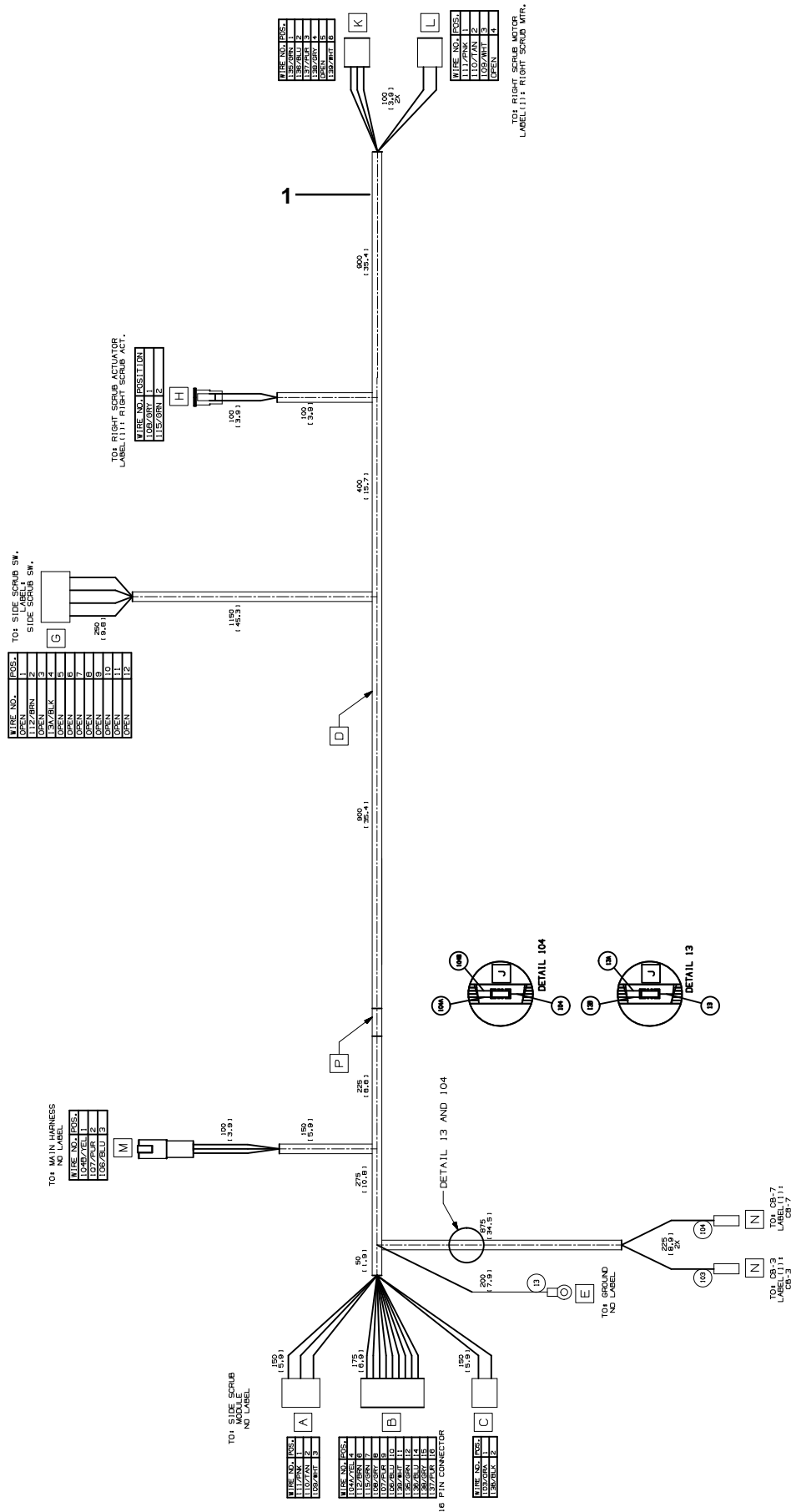


Fig. 15 – Scrubbing Side Brush Wire Harness Group

Ref.	Part No.	Serial Number	Description	Qty.
1	1072999	(000000-) Harness, Ele [Side Scrub, T17]	1

Fig. 16 - Sweeping Side Brush Drive Motor Group, Right Side

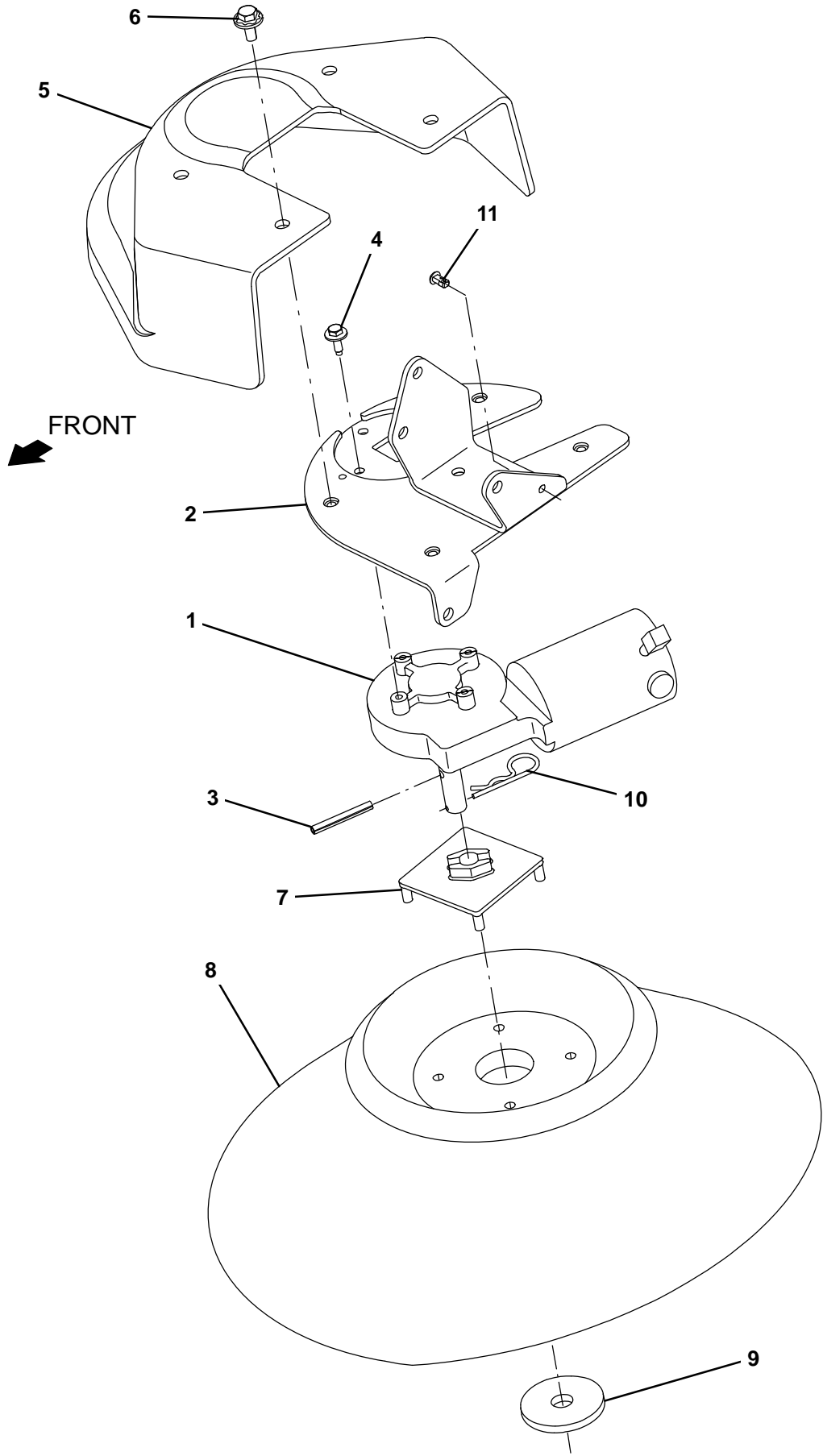


Fig. 16 – Sweeping Side Brush Drive Motor Group, Right Side

Ref.	Part No.	Serial Number	Description	Qty.
1	1212824	(000000–) Motor, Ele, 36vdc 0.08hp 0068rpm Gear Rh	1
2	1207139	(000000–) Bracket Wldt, Mtg, Motor, Sba	1
3	11398	(000000–) Pin, Roll, .250d X 2.00l, .250/.256	1
4	1040467	(000000–) Screw, Hex, M6 X 1.00 X 20, 9.8, Sems	4
5	1207412	(000000–) Cover, Sidebrush, Sweeping	1
6	1020341	(000000–) Screw, Hex, M8 X 1.25 X 20, Ss, Sems	4
7	1017441	(000000–) Plate, Adapter, Brush	1
8	87419	(000000–) Brush, Disk, Swp, 19.0d, Pyp	1
9	1017802	(000000–) Washer, Flat, 0.66b 2.50d .19, Ss	1
10	02942	(000000–) Pin, Hair, Cotter, 0.62d .120 Wir	1
11	1071085	(000000–) Clip, Tie, 0.25d, Plstc	1

Fig. 17 – Sweeping Side Brush Lift Group, Right Side

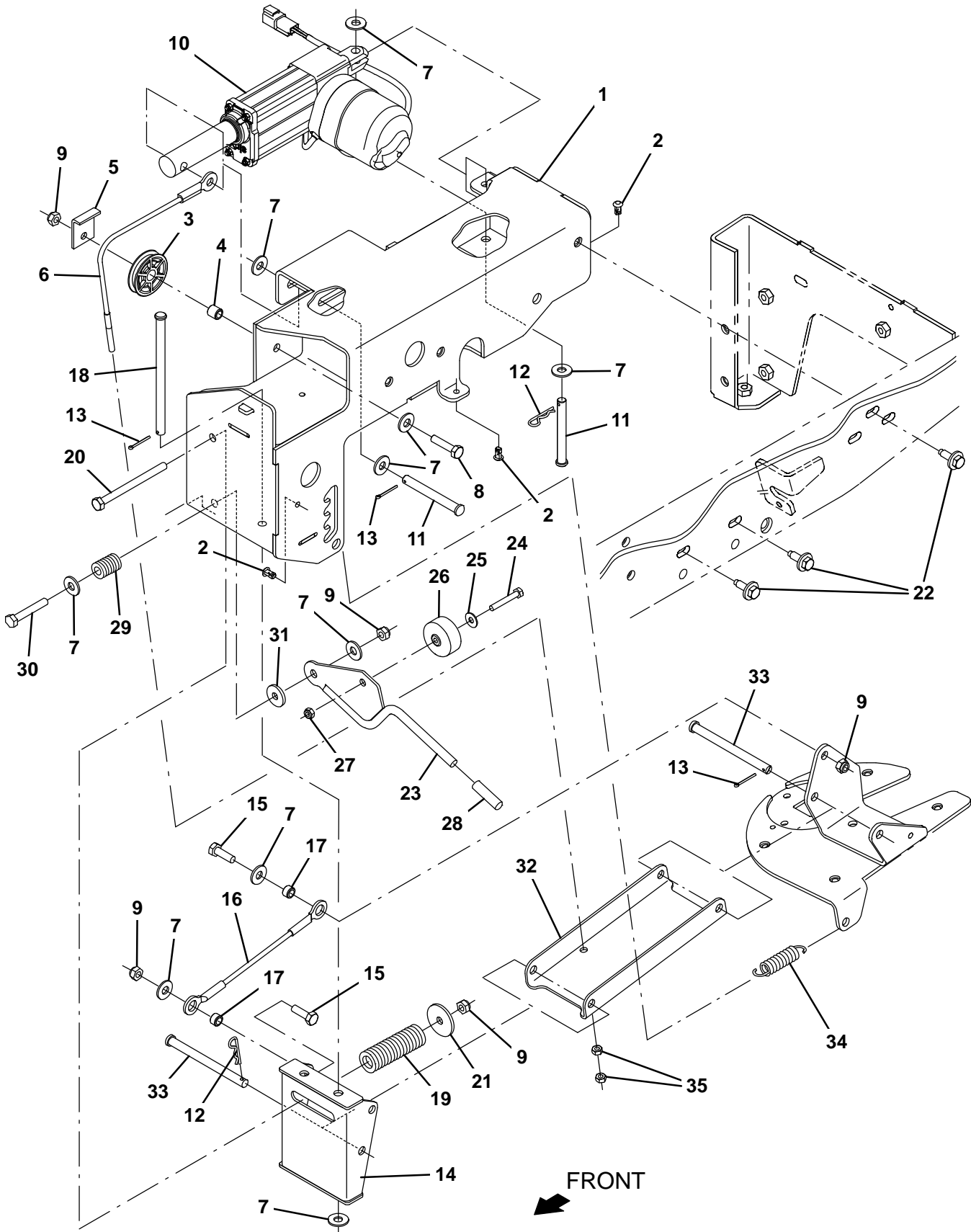


Fig. 17 – Sweeping Side Brush Lift Group, Right Side

Ref.	Part No.	Serial Number	Description	Qty.
1	1207330	(000000-010999)	Housing Wldt, Sba, Rh	1
1	1225432	(011000-)	Housing Wldt, Sba, Rh	1
2	1071085	(000000-)	Clip, Tie, 0.25d, Plstc	3
3	369781	(000000-)	Pulley, Cable, 1.5d Nyl	1
4	222460	(000000-)	Sleeve, P/M, 0.32b 0.50d 0.5l [430ss]	1
5	54400	(000000-)	Bracket, Angle, Keeper, Cable	1
6	1205013	(000000-)	Cable, Ss, .09d 10.35l .38eye/M6-1.0	1
7	01685	(000000-)	Washer, Flat, 0.38b 0.88d .08, Ss	10
8	09023	(000000-)	Screw, Hex, M8 X 1.25 X 35, Fl, Ss	1
9	08713	(000000-)	Nut, Hex, Lock, M8 X 1.25, NI, Ss	5
10	1201500	(000000-)	Actuator, 36vdc, 2.75strk, 450lb	1
11	57598	(000000-)	Pin, Clevis, 0.37d X 3.25l	2
12	44906	(000000-)	Pin, Cotter, Hair, 0.38d .093 Wir	2
13	08179	(000000-)	Pin, Cotter, .094 X 1.00	3
14	1204919	(000000-010999)	Bracket Wldt, Pivot, Sba	1
14	1225423	(011000-)	Bracket Wldt, Pivot, Sba	1
15	09010	(000000-)	Screw, Hex, M8 X 1.25 X 25, Ss	2
16	1204774	(000000-)	Cable, Ss, .09d 7.87l .50eye/.50eye	1
17	222516	(000000-)	Sleeve, P/M, 0.32b 0.50d 0.3l [430ss]	2
18	49924	(000000-)	Pin, Clevis, 0.37d X 6.12l	1
19	1209244	(000000-)	Spring, Compr, .98od 2.5l	1
20	386299	(000000-)	Screw, Hex, M8 X 1.25 X 100, Ss	1
21	379829	(000000-)	Washer, Flat, 0.34b 1.50d .12, Stl, Pl	1
22	1037346	(000000-)	Screw, Hex, M8 X 1.25 X 25, 9.8, Sems	3
23	1205016	(000000-)	Lever Wldt, Adj, Sba	1
24	33930	(000000-)	Screw, Hex, M6 X 1.00 X 40, Ss	1
25	01684	(000000-)	Washer, Flat, 0.27b 0.69d .05, Ss	1
26	01847	(000000-)	Wheel, 01.6d 0.72w 0.21b	1
27	08712	(000000-)	Nut, Hex, Lock, M6 X 1.00, NI, Ss	1
28	1208858	(000000-)	Cover, Handle	1
29	81672	(000000-)	Spring, Cmpr, 0.37id X Flat Wir, 1.0l	1
30	49694	(000000-)	Screw, Hex, M8 X 1.25 X 50, Ss	1
31	1017218	(000000-)	Washer, Flat, 0.32b 1.00d .12, Ss	1
32	1204396	(000000-)	Bracket, Arm, Sba	1
33	59672	(000000-)	Pin, Clevis, 0.37d X 4.50l	2
34	15047	(000000-)	Spring, Extn, 0.62od 0.08wir 03.0l	1
35	07785	(000000-)	Nut, Hex, Std, M6 X 1.00, Ss	2

Fig. 18 – Sweeping Side Brush Drive Motor Group, Left Side

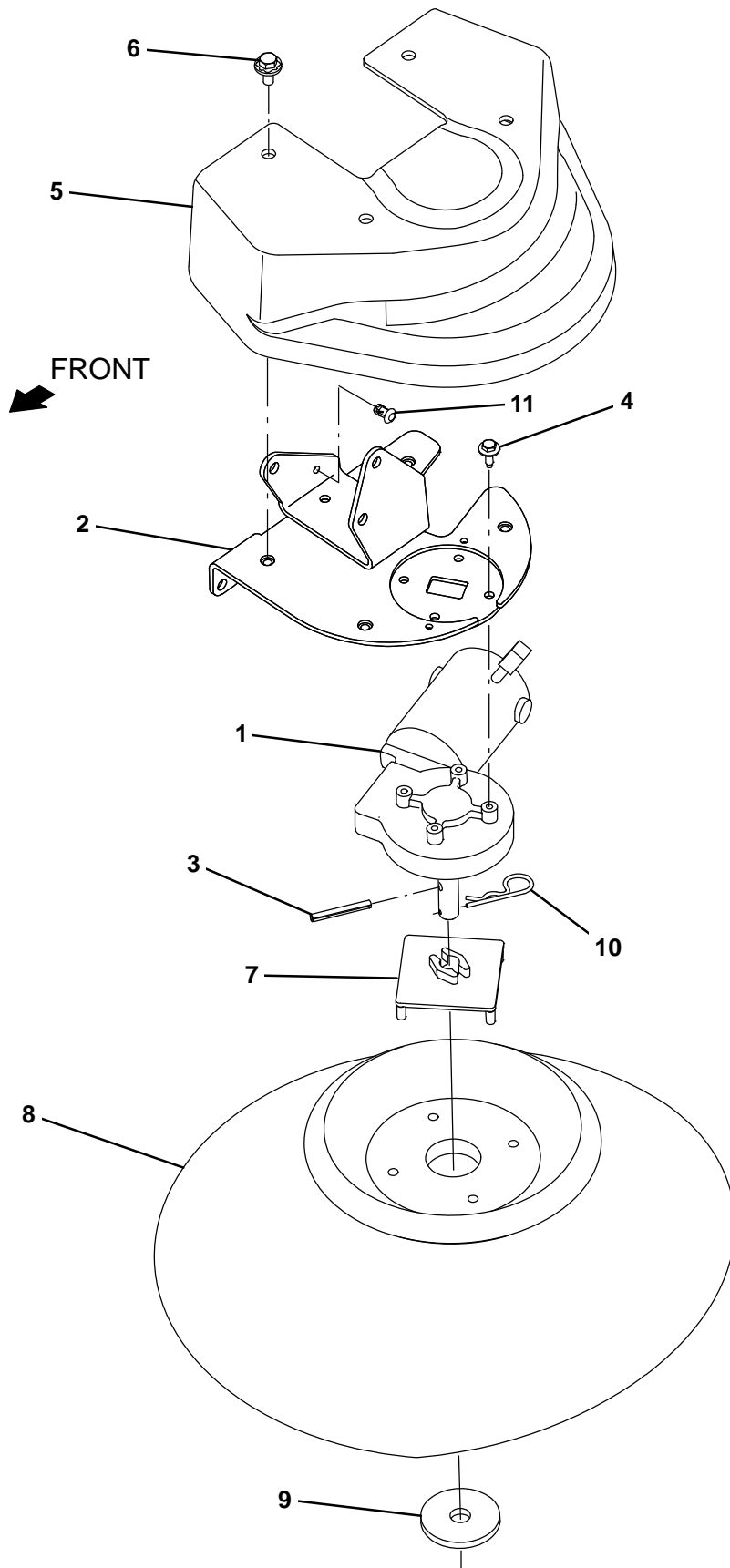


Fig. 18 – Sweeping Side Brush Drive Motor Group, Left Side

Ref.	Part No.	Serial Number	Description	Qty.
1	1212823	(000000–) Motor, Ele, 36vdc 0.08hp 0068rpm Gear Lh	1
2	1207559	(000000–) Mount Wldt, Motor, Sba	1
3	11398	(000000–) Pin, Roll, .250d X 2.00l, .250/.256	1
4	1040467	(000000–) Screw, Hex, M6 X 1.00 X 20, 9.8, Sems	4
5	1207412	(000000–) Cover, Sidebrush, Sweeping	1
6	1020341	(000000–) Screw, Hex, M8 X 1.25 X 20, Ss, Sems	4
7	1017441	(000000–) Plate, Adapter, Brush	1
8	87419	(000000–) Brush, Disk, Swp, 19.0d, Pyp	1
9	1017802	(000000–) Washer, Flat, 0.66b 2.50d .19, Ss	1
10	02942	(000000–) Pin, Hair, Cotter, 0.62d .120 Wir	1
11	1071085	(000000–) Clip, Tie, 0.25d, Plstc	1

Fig. 19 – Sweeping Side Brush Lift Group, Left Side

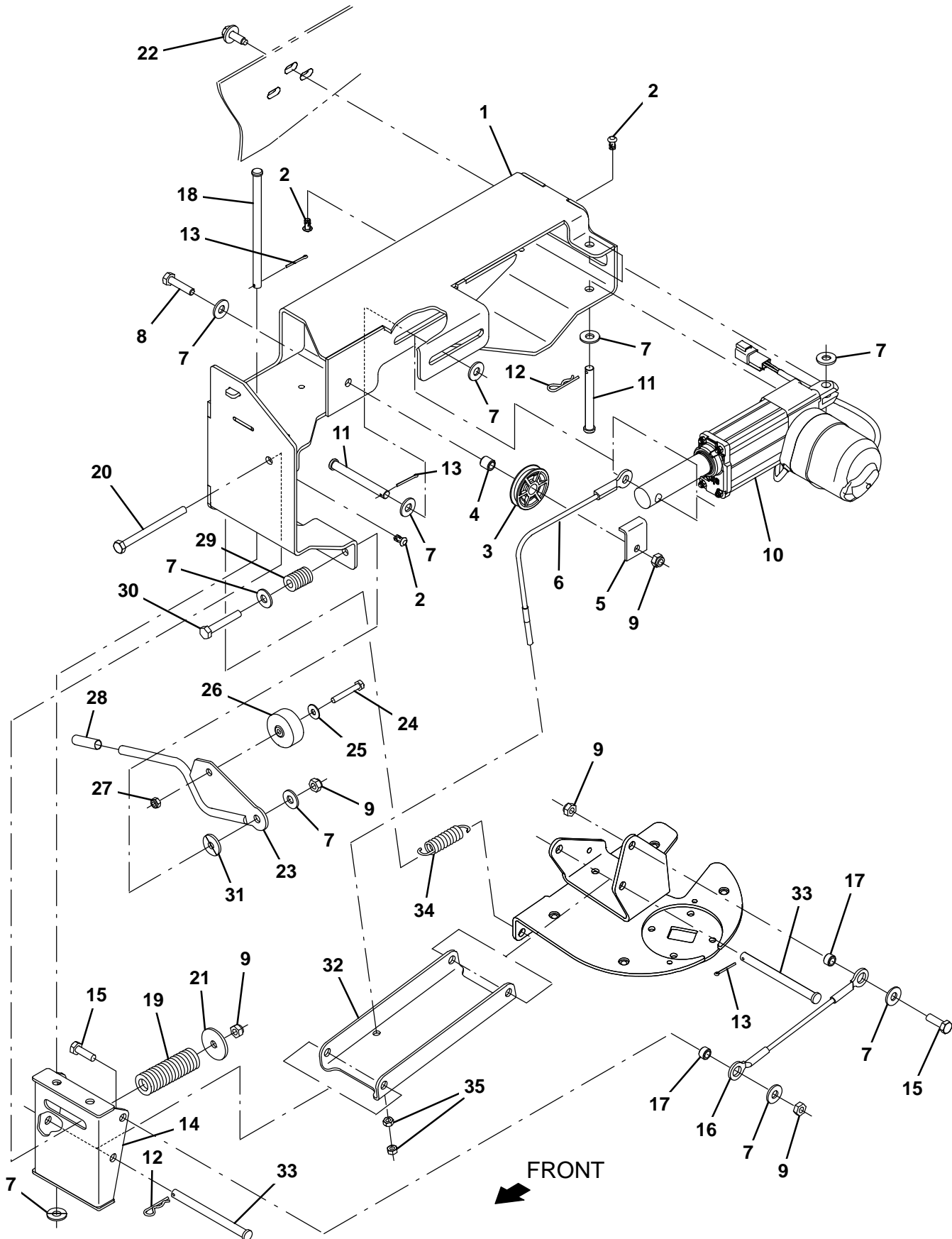


Fig. 19 – Sweeping Side Brush Lift Group, Left Side

Ref.	Part No.	Serial Number	Description	Qty.
1	1207554	(000000-010999)	Housing Wldt, Sba, Lh	1
1	1225423	(011000-)	Housing Wldt, Sba, Lh	1
2	1071085	(000000-)	Clip, Tie, 0.25d, Plstc	3
3	369781	(000000-)	Pulley, Cable, 1.5d Nyl	1
4	222460	(000000-)	Sleeve, P/M, 0.32b 0.50d 0.5l [430ss]	1
5	54400	(000000-)	Bracket, Angle, Keeper, Cable	1
6	1205013	(000000-)	Cable, Ss, .09d 10.35l .38eye/M6-1.0	1
7	01685	(000000-)	Washer, Flat, 0.38b 0.88d .08, Ss	10
8	09023	(000000-)	Screw, Hex, M8 X 1.25 X 35, Fl, Ss	1
9	08713	(000000-)	Nut, Hex, Lock, M8 X 1.25, NI, Ss	5
10	1201500	(000000-)	Actuator, 36vdc, 2.75strk, 450lb	1
11	57598	(000000-)	Pin, Clevis, 0.37d X 3.25l	2
12	44906	(000000-)	Pin, Cotter, Hair, 0.38d .093 Wir	2
13	08179	(000000-)	Pin, Cotter, .094 X 1.00	3
14	1204919	(000000-010999)	Bracket Wldt, Pivot, Sba	1
14	1225425	(011000-)	Bracket Wldt, Pivot, Sba	1
15	09010	(000000-)	Screw, Hex, M8 X 1.25 X 25, Ss	2
16	1204774	(000000-)	Cable, Ss, .09d 7.87l .50eye/.50eye	1
17	222516	(000000-)	Sleeve, P/M, 0.32b 0.50d 0.3l [430ss]	2
18	49924	(000000-)	Pin, Clevis, 0.37d X 6.12l	1
19	1209244	(000000-)	Spring, Compr, .98od 2.5l	1
20	386299	(000000-)	Screw, Hex, M8 X 1.25 X 100, Ss	1
21	379829	(000000-)	Washer, Flat, 0.34b 1.50d .12, Stl, Pl	1
22	1037346	(000000-)	Screw, Hex, M8 X 1.25 X 25, 9.8, Sems	3
23	1205016	(000000-)	Lever Wldt, Adj, Sba	1
24	33930	(000000-)	Screw, Hex, M6 X 1.00 X 40, Ss	1
25	01684	(000000-)	Washer, Flat, 0.27b 0.69d .05, Ss	1
26	01847	(000000-)	Wheel, 01.6d 0.72w 0.21b	1
27	08712	(000000-)	Nut, Hex, Lock, M6 X 1.00, NI, Ss	1
28	1208858	(000000-)	Cover, Handle	1
29	81672	(000000-)	Spring, Cmpr, 0.37id X Flat Wir, 1.0l	1
30	49694	(000000-)	Screw, Hex, M8 X 1.25 X 50, Ss	1
31	1017218	(000000-)	Washer, Flat, 0.32b 1.00d .12, Ss	1
32	1204396	(000000-)	Bracket, Arm, Sba	1
33	59672	(000000-)	Pin, Clevis, 0.37d X 4.50l	2
34	15047	(000000-)	Spring, Extn, 0.62od 0.08wir 03.0l	1
35	07785	(000000-)	Nut, Hex, Std, M6 X 1.00, Ss	2

Fig. 20 – Sweeping Side Brush Electrical Group

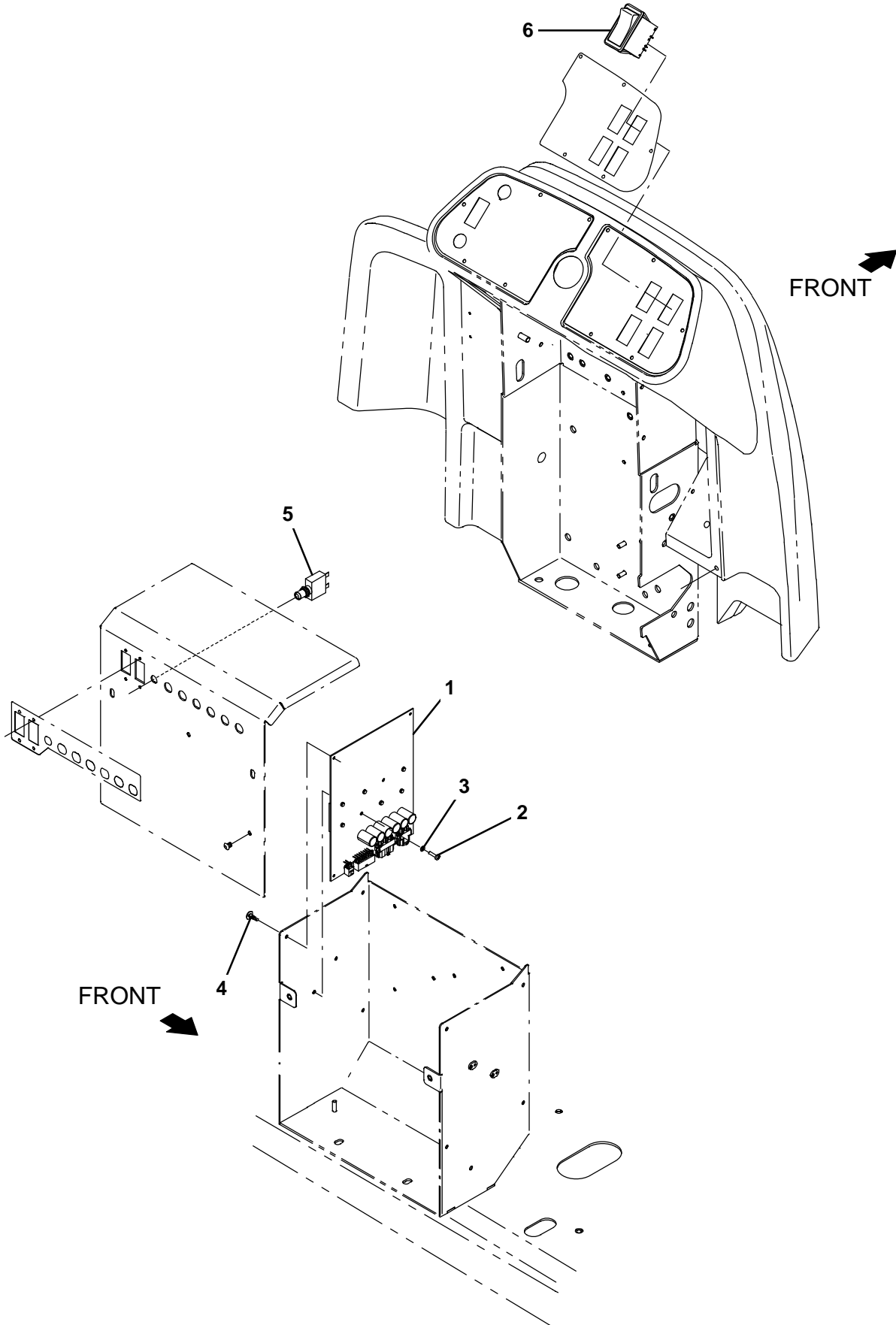


Fig. 20 – Sweeping Side Brush Electrical Group

Ref.	Part No.	Serial Number	Description	Qty.
1	9020229	(000000–) Circuit Board Kit, H20, Afmkt [T17]	1
2	06926	(000000–) Screw, Pan, Phl, M4 X 0.70 X 10, 4.8	2
3	1202860	(000000–) Washer, Flat, 0.17b 0.31d .03, Nyl	2
4	1210399	(000000–) Stand-Off, Circuitboard [0.25”]	4
5	383723	(000000–) Circuitbreaker, 20.0a, Resetable	1
6	397889	(000000–) Switch, Rocker, Dpst, On / None / On	1

Fig. 21 – Sweeping Side Brush Wire Harness Group

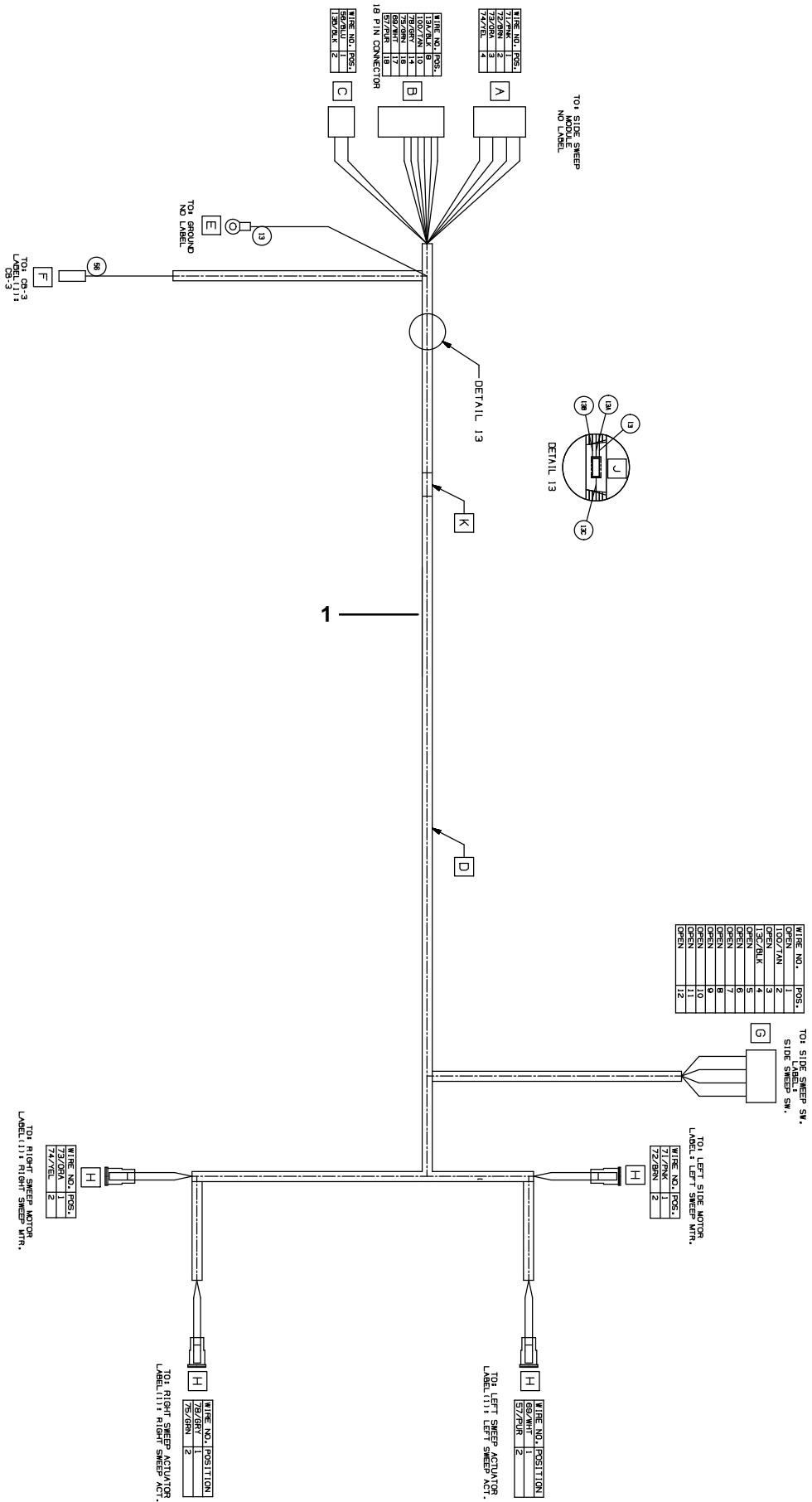


Fig. 21 – Sweeping Side Brush Wire Harness Group

Ref.	Part No.	Serial Number	Description	Qty.
1	1072992	(000000-) Harness, Ele , [Side Sweep, T17]	1

Fig. 22 - Pre-Sweep Hopper Cover Group

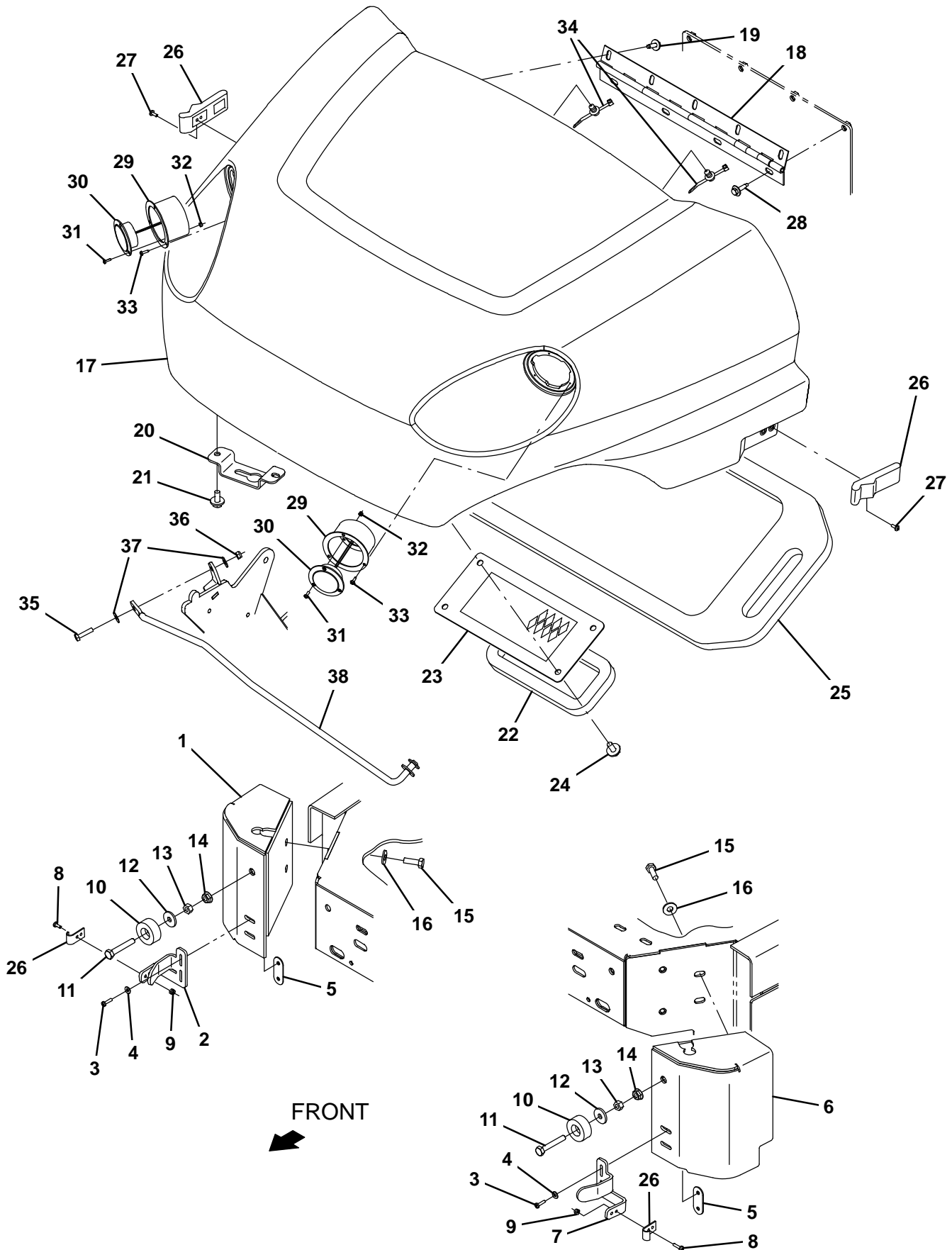


Fig. 22 – Pre-Sweep Hopper Cover Group

Ref.	Part No.	Serial Number	Description	Qty.	
1	1209119	(000000–)	Bracket Wldt, Corner, Rh	1	
2	1207119	(000000–)	Bracket, Latch, Rh	1	
3	06927	(000000–)	Screw, Pan, Phl, M4 X 0.70 X 16, 4.8	4	
4	19065	(000000–)	Washer, Flat, 0.19b 0.44d .05, Pl, 08	8	
5	1211929	(000000–)	Plate Wldt, Nut, M4	2	
6	1209140	(000000–)	Bracket Wldt, Corner, Lh	1	
7	1207123	(000000–)	Bracket, Latch, Lh	1	
8	06927	(000000–)	Screw, Pan, Phl, M4 X 0.70 X 16, 4.8	4	
9	02850	(000000–)	Nut, Hex, Lock, M4 X 0.70, NI	4	
10	364614	(000000–)	Bumper, Rbr, 1.5d 0.63 0.31h	2	
11	33401	(000000–)	Screw, Hex, M8 X 1.25 X 50, Fl, Ss	2	
12	1017218	(000000–)	Washer, Flat, 0.32b 1.00d .12, Ss	2	
13	07786	(000000–)	Nut, Hex, Std, M8 X 1.25, Ss	2	
14	07791	(000000–)	Nut, Hex, Flng, M8 X 1.25	2	
15	09010	(000000–)	Screw, Hex, M8 X 1.25 X 25, Ss	4	
16	01686	(000000–)	Washer, Flat, 0.44b 1.00d .08, Ss	4	
▽	9020220	(000000–)	Cover, Preswp, Afmkt [T17]	1	
▲	17	1207151	(000000–)	Cover, Presweep (As Trimmed) [T17]	1
▲	18	603268	(000000–)	Hinge, .25pin .07 2.5w 16.0l, PI	1
▲	19	1040467	(000000–)	Screw, Hex, M6 X 1.00 X 20, 9.8, Sems	5
▲	20	1207041	(000000–)	Bracket, Catch, Cover, Saftey Rod	1
▲	21	1020341	(000000–)	Screw, Hex, M8 X 1.25 X 20, Ss, Sems	2
▲	22	1058477	(000000–)	Gasket, .75, 03.94w 08.58l, Adh[Nitrile]	1
▲	23	1058451	(000000–)	Plate Wldt, Screen, Hppr	1
▲	24	1020341	(000000–)	Screw, Hex, M8 X 1.25 X 20, Ss, Sems	4
▲	25	1058901	(000000–)	Gasket, Box, Filter	1
▲	26	49800	(000000–)	Latch W/ Keeper	2
▲	27	49697	(000000–)	Screw, Pan, Phl, M4 X 0.70 X 10, Ss	4
▲	28	1036892	(000000–)	Screw, Hex, M6 X 1.00 X 25, 9.8, Sems	4
▲	29	1060784	(000000–)	Bracket Wldt, Mtg, Headlight	2
▲	30	9008182	(000000–)	Light Assy, Pre-Sweep, Afmkt	2
▲	31	06920	(000000–)	Screw, Pan, Phl, M3 X 0.50 X 10, 4.8	6
▲	32	579211	(000000–)	Nut, Hex, Lock, M3 X 0.50, NI, Ss	6
▲	33	222267	(000000–)	Screw, Pan, Phl, 06–20 X 0.50, Fmg/Ab	6
▲	34	1210807	(000000–)	Wire, Tie [W/.25" Fir Tree Clip]	3
	35	09007	(000000–)	Screw, Hex, M6 X 1.00 X 25, Ss	1
	36	08708	(000000–)	Nut, Hex, Lock, M6 X 1.00, NI	1
	37	01684	(000000–)	Washer, Flat, 0.27b 0.69d .05, Ss	2
	38	1208394	(000000–)	Rod Wldt, Safety, Hopper Cover	1

Fig. 23 – Pre-Sweep Hopper and Vacuum Fan Group

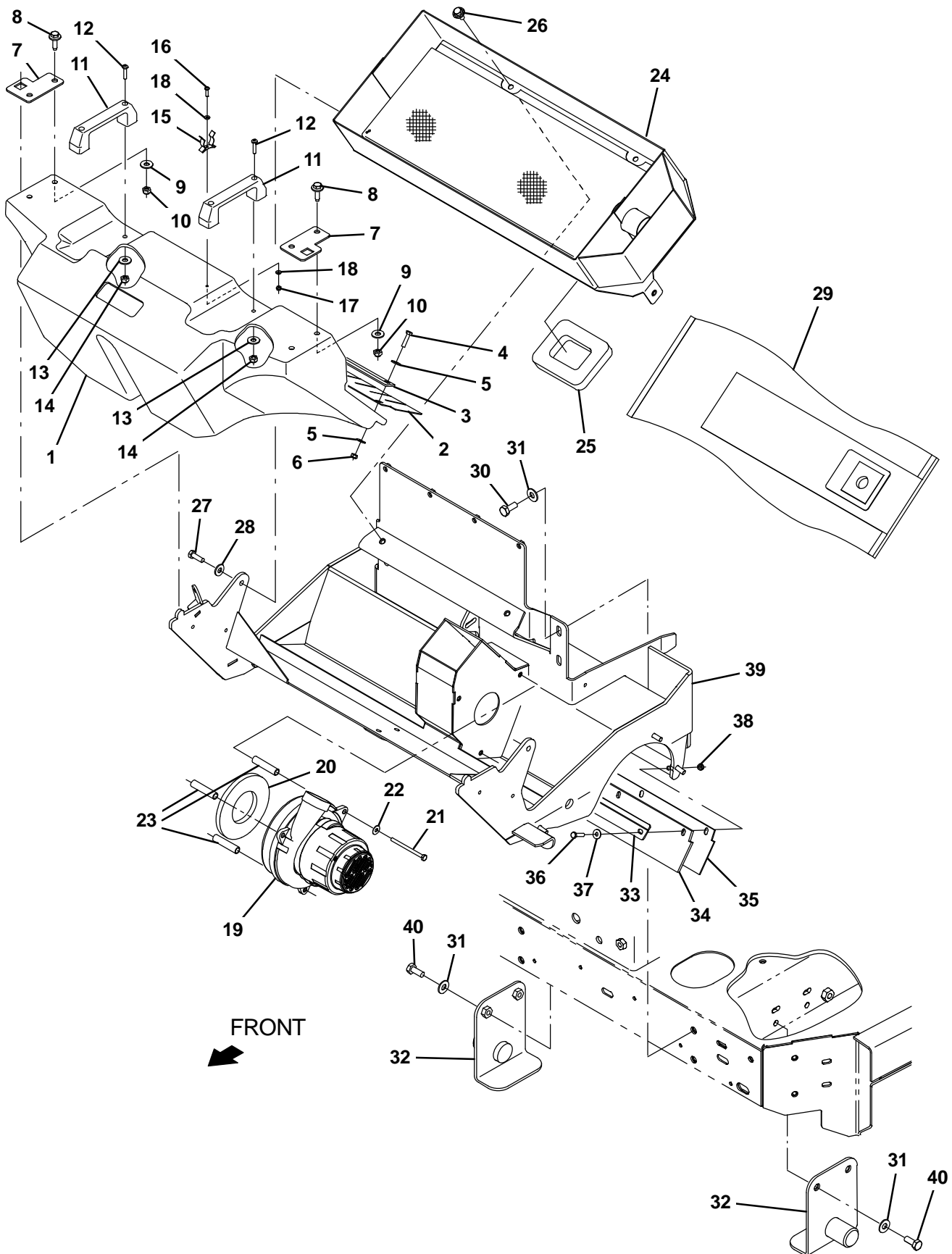


Fig. 23 – Pre-Sweep Hopper and Vacuum Fan Group

Ref.	Part No.	Serial Number	Description	Qty.
▽	9020219	(000000–) Hopper, Preswp, Afmkt [T17]	1
▲	1 1207550	(000000–) Hopper, Pre-Sweep, Rm-Cptl, Trimmed	1
▲▽	9020255	(000000–) Skirt Kit, Hopper, Preswp, Afmkt [T17]	1
▲▲	2 1205547	(000000–) Skirt, Neo, .06, 04.88w 28.26l 05/SI	1
▲▲	3 1205550	(000000–) Plate, Retainer, Skirt	1
▲▲	4 09007	(000000–) Screw, Hex, M6 X 1.00 X 25, Ss	5
▲▲	5 01684	(000000–) Washer, Flat, 0.27b 0.69d .05, Ss	10
▲▲	6 08712	(000000–) Nut, Hex, Lock, M6 X 1.00, NI, Ss	5
▲	7 1205619	(000000–) Angle, Mtg, Hopper	2
▲	8 1037354	(000000–) Screw, Hex, M8 X 1.25 X 30, 9.8, Sems	4
▲	9 32491	(000000–) Washer, Flat, 0.31, Std	4
▲	10 08709	(000000–) Nut, Hex, Lock, M8 X 1.25, NI	4
▲	11 1023920	(000000–) Handle, Door	2
▲	12 06935	(000000–) Screw, Pan, Phl, M5 X 0.80 X 25, 4.8	4
▲	13 41178	(000000–) Washer, Flat, 0.25, Fendr	4
▲	14 06549	(000000–) Nut, Hex, Lock, M5 X 0.80, NI	4
▲	15 23446	(000000–) Clip, Grip, Finger, 0.31–0.75d, Nk PI	1
▲	16 06927	(000000–) Screw, Pan, Phl, M4 X 0.70 X 16, 4.8	1
▲	17 02850	(000000–) Nut, Hex, Lock, M4 X 0.70, NI	1
▲	18 19064	(000000–) Washer, Flat, 0.16b 0.38d .05, PI, 06	2
▽	9020256	(000000–) Vac Fan Kit, W/Seal [T17]	1
▲▽	19 1200149	(000000–) Fan, Vacuum, 6.6d, 036vdc, 1 Stage [Bpt]	1
▲▲	1206774	(000000–) Brush Kit, Motor, Fan	1
▲	20 10912	(000000–) Seal, Rbr, Clsd, 0.375, 5.0d 2.5h	1
▲	21 391434	(000000–) Screw, Hex, M6 X 1.00 X 80, Ss	3
▲	22 01684	(000000–) Washer, Flat, 0.27b 0.69d .05, Ss	3
▲	23 81719	(000000–) Tube, 0.38id 0.50od 02.2l, Stl, PI	3
	24 1204954	(000000–) Filterbox Wldt, Presweep	1
	25 1058695	(000000–) Gasket, .75, 03.94w 04.92l, Adh[Nitrile]	1
	26 1020341	(000000–) Screw, Hex, M8 X 1.25 X 20, Ss, Sems	2
	27 09010	(000000–) Screw, Hex, M8 X 1.25 X 25, Ss	2
	28 01685	(000000–) Washer, Flat, 0.38b 0.88d .08, Ss	2
	29 1067452	(000000–) Bag, Vacuum, Paper [1pick=1pkg(=10pc)]	1
	30 09028	(000000–) Screw, Hex, M10 X 1.50 X 25, Ss	4
	31 01686	(000000–) Washer, Flat, 0.44b 1.00d .08, Ss	8
	32 1205593	(000000–) Bracket Wldt, Mount	2
	33 1205550	(000000–) Plate, Retainer, Skirt	1
	34 1207269	(000000–) Skirt, Neo, .19, 03.62w 28.12l 05/SI	1
	35 1207484	(000000–) Skirt, Neo, .06, 03.62w 28.12l 05/SI	1
	36 09007	(000000–) Screw, Hex, M6 X 1.00 X 25, Ss	5
	37 01684	(000000–) Washer, Flat, 0.27b 0.69d .05, Ss	5
	38 08712	(000000–) Nut, Hex, Lock, M6 X 1.00, NI, Ss	5
	39 1205402	(000000–) Frame Wldt, Brush, Pre-Sweep	1
	40 12317	(000000–) Screw, Hex, M10 X 1.50 X 30, Ss	4

Fig. 24 - Pre-Sweep Brush Drive Group

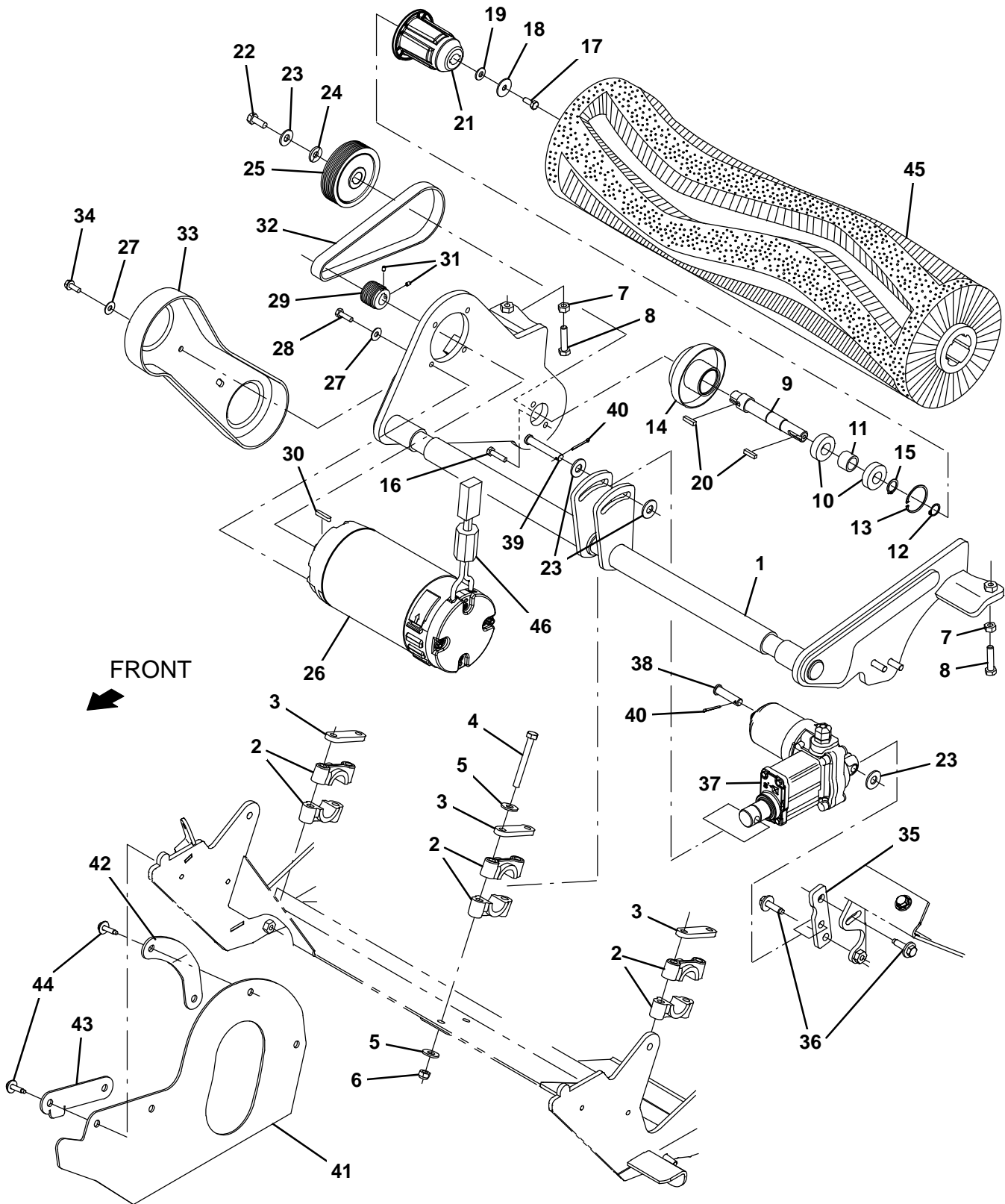


Fig. 24 – Pre-Sweep Brush Drive Group

Ref.	Part No.	Serial Number	Description	Qty.
1	1205565	(000000–) Arm Wldt, Brush	1
2	381502	(000000–) Bearing, Split, 1.00b	6
3	382224	(000000–) Plate, Sppt	3
4	09767	(000000–) Screw, Hex, M8 X 1.25 X 70, Ss	6
5	32491	(000000–) Washer, Flat, 0.31, Std	12
6	08713	(000000–) Nut, Hex, Lock, M8 X 1.25, NI, Ss	6
7	07786	(000000–) Nut, Hex, Std, M8 X 1.25, Ss	2
8	09023	(000000–) Screw, Hex, M8 X 1.25 X 35, Fl, Ss	2
9	1211399	(000000–) Shaft, Drive, Pre-Sweep, Lrg Brg	1
10	28010	(000000–) Bearing, Ball, 0.62b 1.38d 0.43w	2
11	1055051	(000000–) Spacer, Brg	1
12	01516	(000000–) Ring, Retaining, Ext, 0.59d, Basic	1
13	18136	(000000–) Ring, Retaining, Ext, 0.62d, Basic	1
14	1063363	(000000–) Housing Wldt, Brg, Pre-Sweep	1
15	01513	(000000–) Ring, Retaining, Int,	1
16	09007	(000000–) Screw, Hex, M6 X 1.00 X 25, Ss	2
17	11329	(000000–) Screw, Hex, M6 X 1.00 X 16, NI, Ss	1
18	397779	(000000–) Washer, Flat, 0.28b 1.00d .06, Stl, Blk	1
19	41185	(000000–) Washer, Flat, Belleville, .25	1
20	00911	(000000–) Key, Sq, 0.19 X 0.19, 0.75l	2
21	12269	(000000–) Plug, Drive, Brush, Nyl	1
22	09740	(000000–) Screw, Hex, M8 X 1.25 X 20, Ss	1
23	01686	(000000–) Washer, Flat, 0.44b 1.00d .08, Ss	4
24	41186	(000000–) Washer, Flat, Belleville, .31	1
25	1054591	(000000–) Sheave, 07grv, 03.3pd 0.63b [Pj]	1
26	1053342	(000000–) Motor, Ele, 36vdc 1750rpm 1.00hp 22.0a	1
27	01684	(000000–) Washer, Flat, 0.27b 0.69d .05, Ss	6
28	08716	(000000–) Screw, Hex, M6 X 1.00 X 20, Ss	4
29	1054581	(000000–) Sheave, 07grv, 1.22pd 0.55b [Pj]	1
30	1014328	(000000–) Key, Sq, 05mm X 05mm, 25mml	1
31	222818	(000000–) Screw, Set, Soc, 08–32 X 0.25, NI	2
32	9020257	(000000–) Belt Kit, Preswp, Afmkt [T17]	1
33	1059308	(000000–) Cover, Belt, Pre-Sweep	1
34	361339	(000000–) Screw, Hex, M6 X 1.00 X 16, Fmg	2
35	1209802	(000000–) Bracket Wldt, Adj, Actuator	1
36	1037354	(000000–) Screw, Hex, M8 X 1.25 X 30, 9.8, Sems	2
37	1208772	(000000–) Actuator, 36vdc, 2.08strk, 500lbs	1
38	1009356	(000000–) Pin, Clevis, 10mmd X 040mml	1
39	222260	(000000–) Pin, Clevis, 0.37d X 2.25l	1
40	08170	(000000–) Pin, Cotter, .062 X 0.50	2
41	1207488	(000000–) Skirt, Rbr, .12, 09.11w 16.61l, 05/Hole	1
42	1207486	(000000–) Plate, Retainer, Skirt, Rh, Curved	1
43	1207487	(000000–) Plate, Retainer, Skirt, Rh, Straight	1
44	1036892	(000000–) Screw, Hex, M6 X 1.00 X 25, 9.8, Sems	4
45	1211934	(000000–) Brush, Swp, 28l, Wedge, Pyp, Spiral	1
46	1052126	(000000–) Inductor, 12.7Mm [156 Imp At 25Mhz]	1

Fig. 25 - Pre-Sweep Brush Idler Group

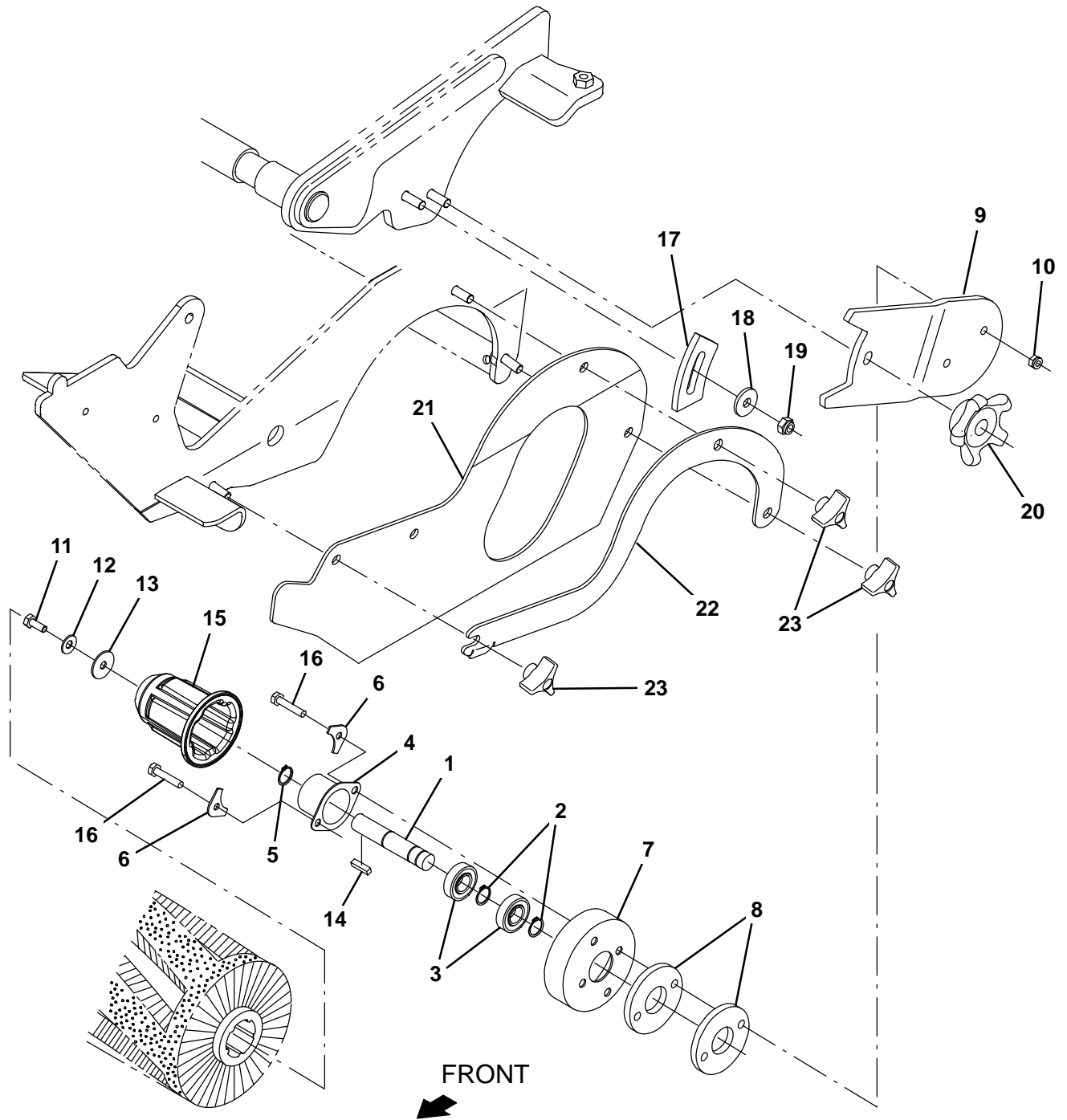


Fig. 25 – Pre-Sweep Brush Idler Group

Ref.	Part No.	Serial Number	Description	Qty.
▽	48749	(000000–) Bearing Assy, W/Shaft	1
▲	1 15522	(000000–) Shaft, Idler, Brush, Main	1
▲	2 01516	(000000–) Ring, Retaining, Ext, 0.59d, Basic	2
▲	3 41360	(000000–) Bearing, Ball, 0.59b 1.26d 0.35w[2seal]	2
▲	4 41362	(000000–) Housing, Flng, Brg	1
▲	5 86773	(000000–) Ring, Retaining, Ext, 0.59d, Basic	1
	6 32408	(000000–) Plate, Hold-Down	2
	7 32720	(000000–) Shield, Plug, Drive	1
	8 392215	(000000–) Spacer, Arm, Brush	2
	9 1056189	(000000–) Arm, Brush, Pre-Sweep, Idler, Lh	1
	10 08708	(000000–) Nut, Hex, Lock, M6 X 1.00, NI	2
	11 11329	(000000–) Screw, Hex, M6 X 1.00 X 16, NI, Ss	1
	12 41185	(000000–) Washer, Flat, Belleville, .25	1
	13 397779	(000000–) Washer, Flat, 0.28b 1.00d .06, Stl, Blk	1
	14 00911	(000000–) Key, Sq, 0.19 X 0.19, 0.75l	1
	15 12269	(000000–) Plug, Drive, Brush, Nyl	1
	16 1040803	(000000–) Screw, Hex, M6 X 1.00 X 30mm, Ss	2
	17 81884	(000000–) Plate, Arm, Adj	1
	18 1017218	(000000–) Washer, Flat, 0.32b 1.00d .12, Ss	1
	19 08713	(000000–) Nut, Hex, Lock, M8 X 1.25, NI, Ss	1
	20 1054948	(000000–) Knob Assy, Star, 3.21d 5ear M8	1
	21 1207488	(000000–) Skirt, Rbr, .12, 09.11w 16.61l, 05/Hole	1
	22 1207485	(000000–) Plate, Retainer, Skirt, Lh	1
	23 222470	(000000–) Knob, Star, 1.50d 0.88l 3ear M8x1.25 Fem	3

Fig. 26 – Pre-Sweep Side Brush Group

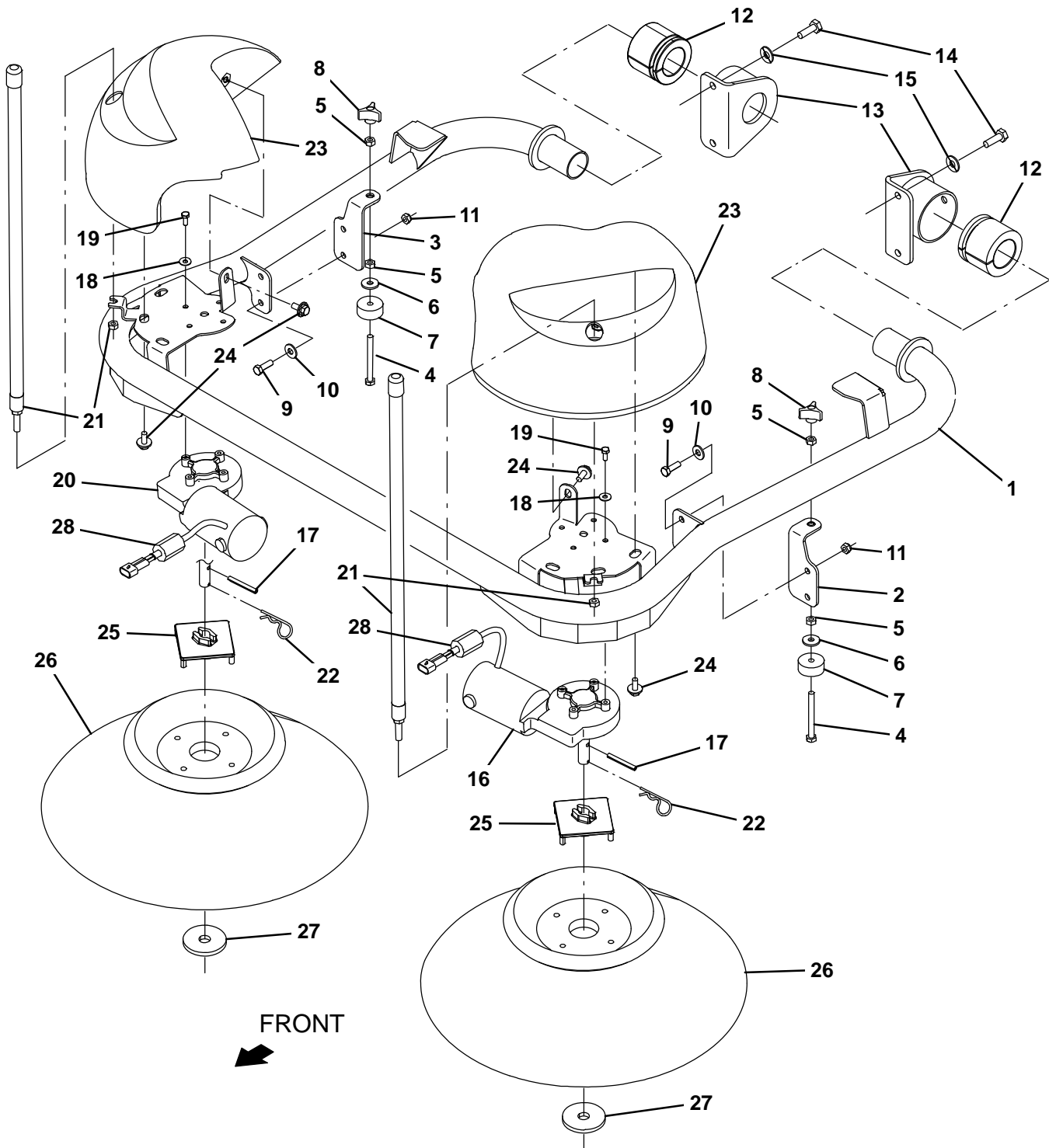


Fig. 26 – Pre-Sweep Side Brush Group

Ref.	Part No.	Serial Number	Description	Qty.
1	1205449	(000000–) Tube Wldt, Arm, Brush, Side	1
2	1207045	(000000–) Bracket Wldt, Brush, Adj, Lh	1
3	1207047	(000000–) Bracket Wldt, Brush, Adj, Rh	1
4	1060394	(000000–) Screw, Hex, M8 X 1.25 X 80, Fl, Ss	2
5	07786	(000000–) Nut, Hex, Std, M8 X 1.25, Ss	4
6	1017218	(000000–) Washer, Flat, 0.32b 1.00d .12, Ss	2
7	364614	(000000–) Bumper, Rbr, 1.5d 0.63 0.31h	2
8	222470	(000000–) Knob, Star, 1.50d 0.88l 3ear M8x1.25 Fem	2
9	09010	(000000–) Screw, Hex, M8 X 1.25 X 25, Ss	4
10	01685	(000000–) Washer, Flat, 0.38b 0.88d .08, Ss	4
11	08713	(000000–) Nut, Hex, Lock, M8 X 1.25, NI, Ss	4
12	1053815	(000000–) Bushing, Flex, Ure	2
13	1060210	(000000–) Housing Wldt, Pivot	2
14	12317	(000000–) Screw, Hex, M10 X 1.50 X 30, Ss	4
15	01686	(000000–) Washer, Flat, 0.44b 1.00d .08, Ss	4
16	1212823	(000000–) Motor, Ele, 36vdc 0.08hp 0068rpm Gear Lh	1
17	11398	(000000–) Pin, Roll, .250d X 2.00l, .250/.256	2
18	01684	(000000–) Washer, Flat, 0.27b 0.69d .05, Ss	8
19	11329	(000000–) Screw, Hex, M6 X 1.00 X 16, NI, Ss	8
20	1212824	(000000–) Motor, Ele, 36vdc 0.08hp 0068rpm Gear Rh	1
21	1211837	(000000–) Marker, Corner	2
22	02942	(000000–) Pin, Hair, Cotter, 0.62d .120 Wir	2
23	9020221	(000000–) Cover, Motor, Preswp, Afmkt [T17]	2
24	1020341	(000000–) Screw, Hex, M8 X 1.25 X 20, Ss, Sems	8
25	1017441	(000000–) Plate, Adapter, Brush	2
26	87419	(000000–) Brush, Disk, Swp, 19.0d, Pyp	2
27	1017802	(000000–) Washer, Flat, 0.66b 2.50d .19, Ss	2
28	1213802	(000000–) Inductor, Ferrite [spit Case, 220@100Hz]	2

Fig. 27 – Pre-Sweep Electrical Group

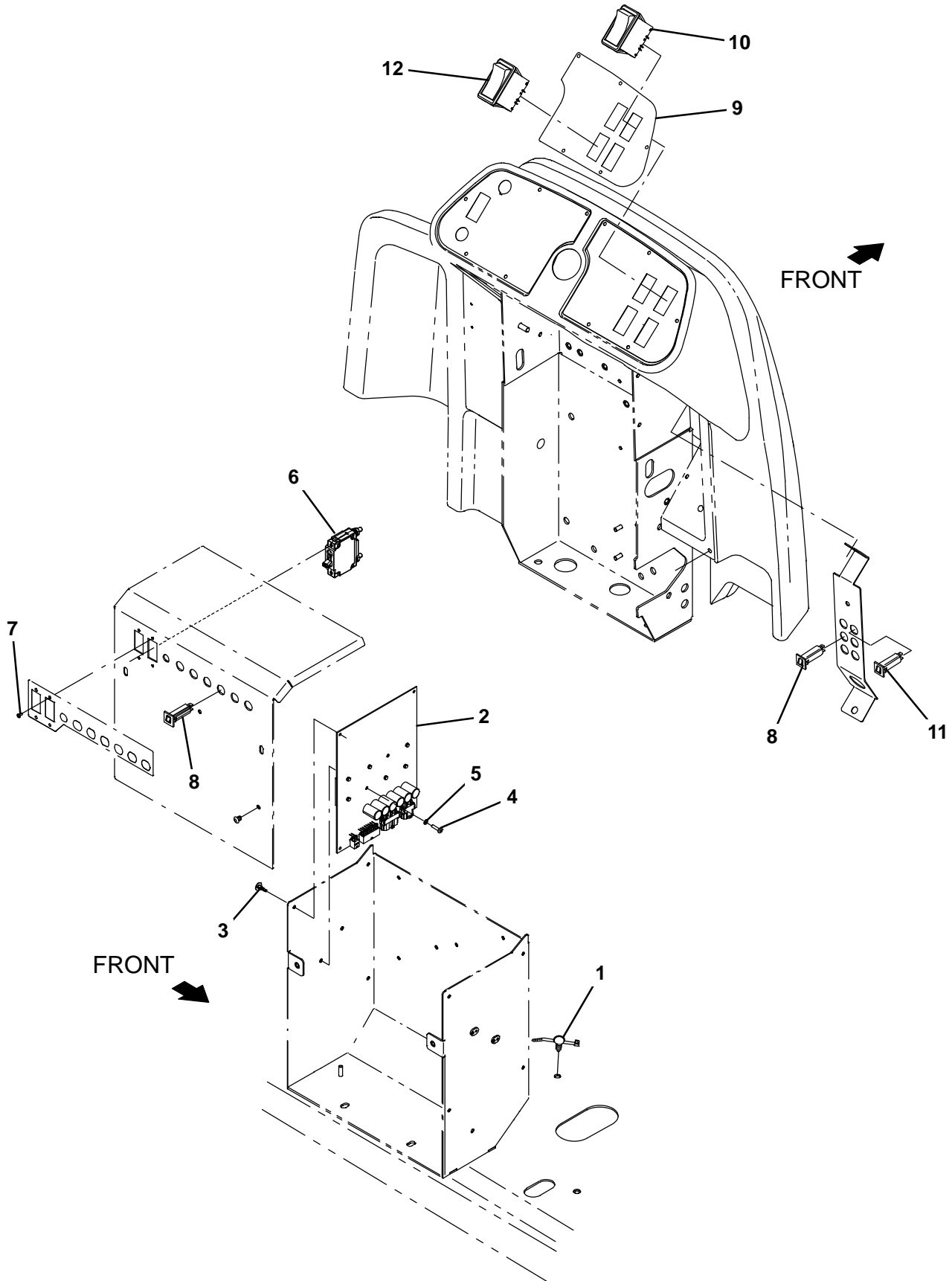


Fig. 27 – Pre-Sweep Electrical Group

Ref.	Part No.	Serial Number	Description	Qty.
1	1210807	(000000–) Wire, Tie [W/.25" Fir Tree Clip]	6
2	9020229	(000000–) Circuit Board Kit, H2o, Afmkt [T17]	1
3	1210399	(000000–) Stand-Off, Circuitboard [0.25"]	4
4	06926	(000000–) Screw, Pan, Phl, M4 X 0.70 X 10, 4.8	2
5	1202860	(000000–) Washer, Flat, 0.17b 0.31d .03, Nyl	2
6	1210969	(000000–) Circuitbreaker, 50.0a, Resetable	1
7	06919	(000000–) Screw, Pan, Phl, M3 X 0.50 X 6, 4.8	2
8	1064184	(000000–) Circuitbreaker, 02.5a, Resetable	2
9	1208217	(000000–) Label, Opertnl, Console, Rh, W/Pre-Sweep	1
10	1207284	(000000–) Switch, Rocker [Mom,Off,Mom, Dual Led]	1
11	1064188	(000000–) Circuitbreaker, 15.0a, Resetable	1
12	377084	(000000–) Switch, Rocker, Prgrsv	1

Fig. 28 – Pre-Sweep Wire Harnesses Group

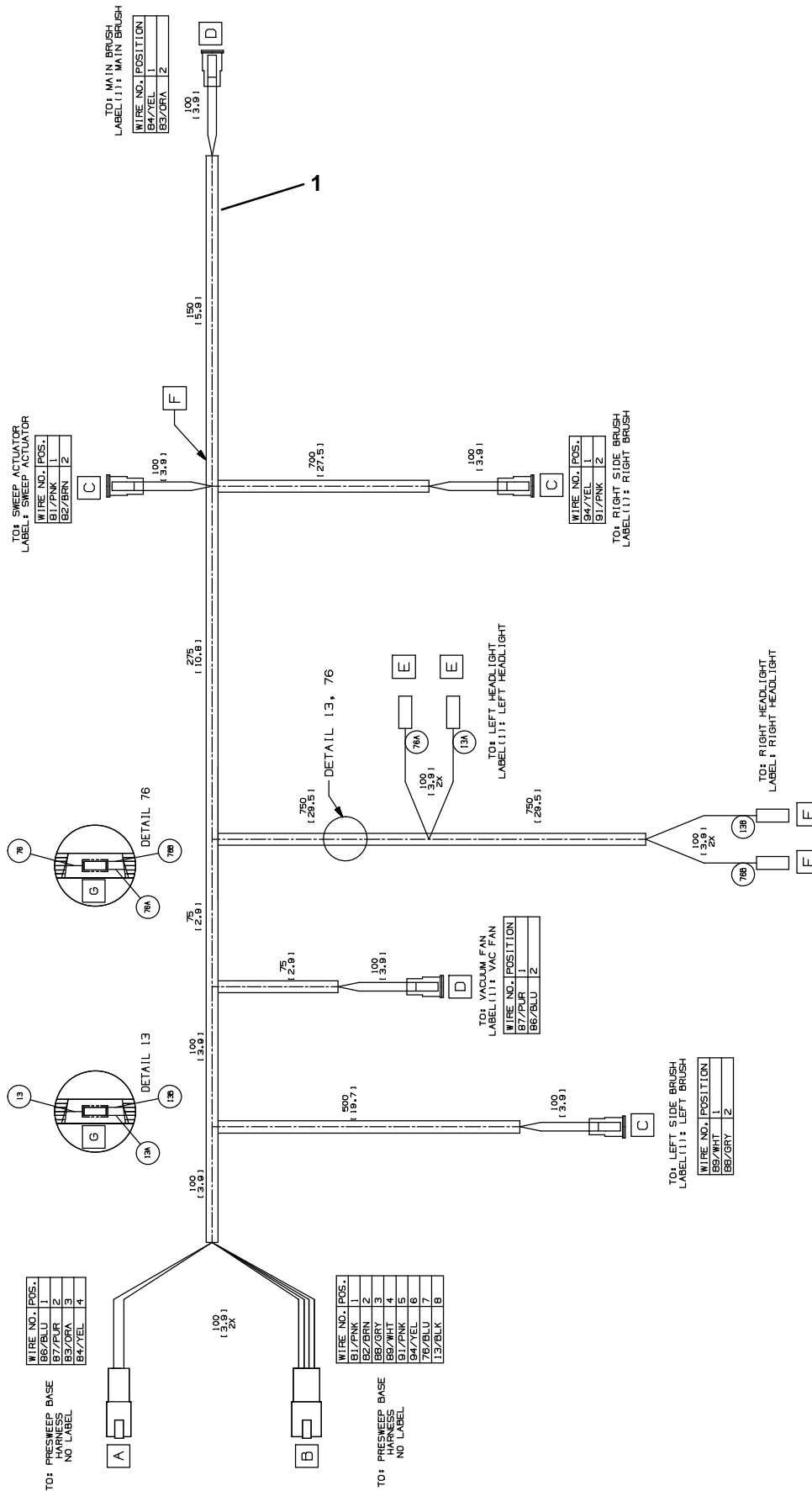


Fig. 28 - Pre-Sweep Wire Harness Group

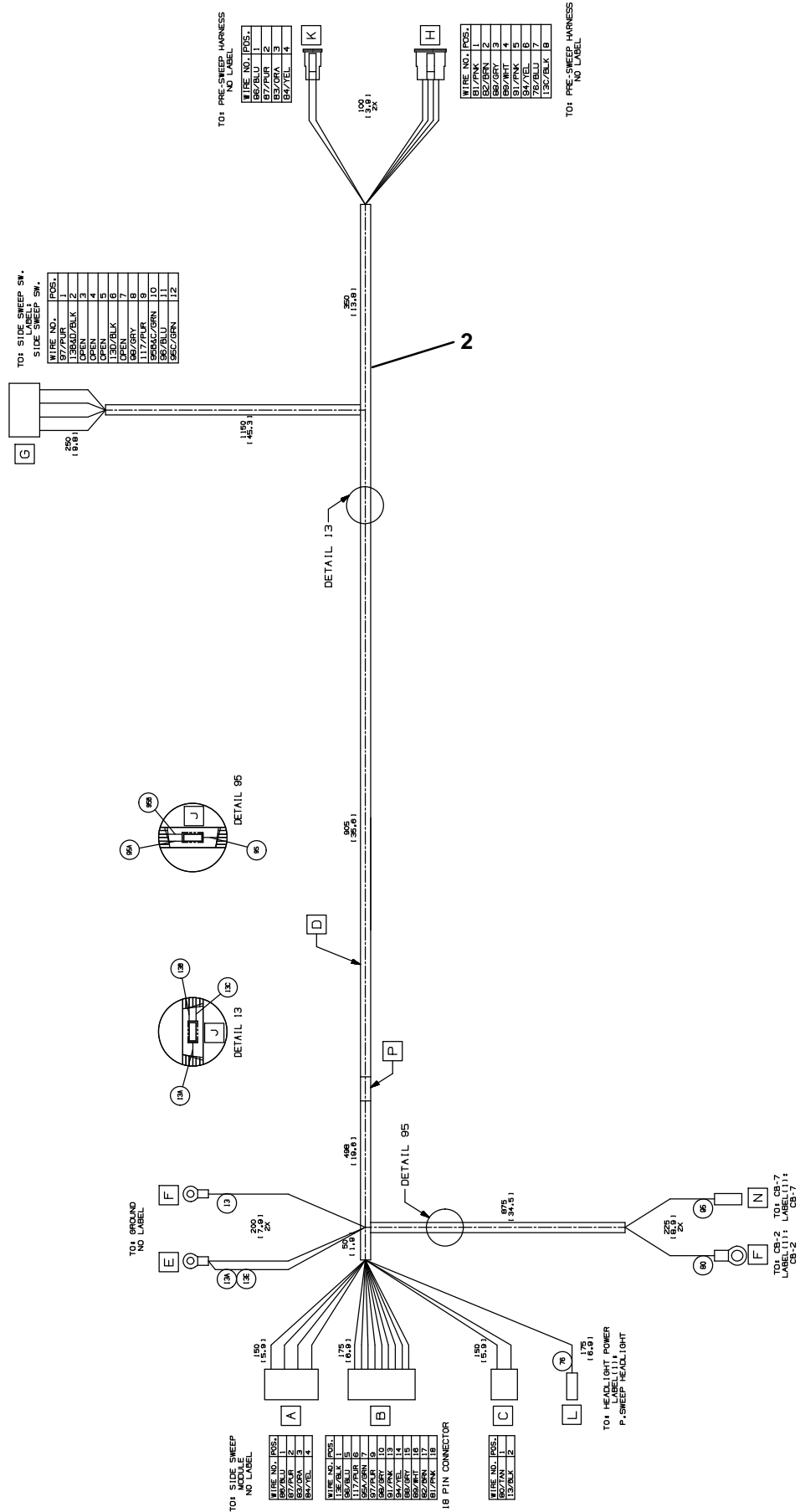


Fig. 28 – Pre-Sweep Wire Harnesses Group

Ref.	Part No.	Serial Number	Description	Qty.
1	1073054	(000000–) Harness, Ele [Presweep, Head, T17]	1
2	1073042	(000000–) Harness, Ele [Presweep, Base, T17]	1

Fig. 29 – Auto Fill Group

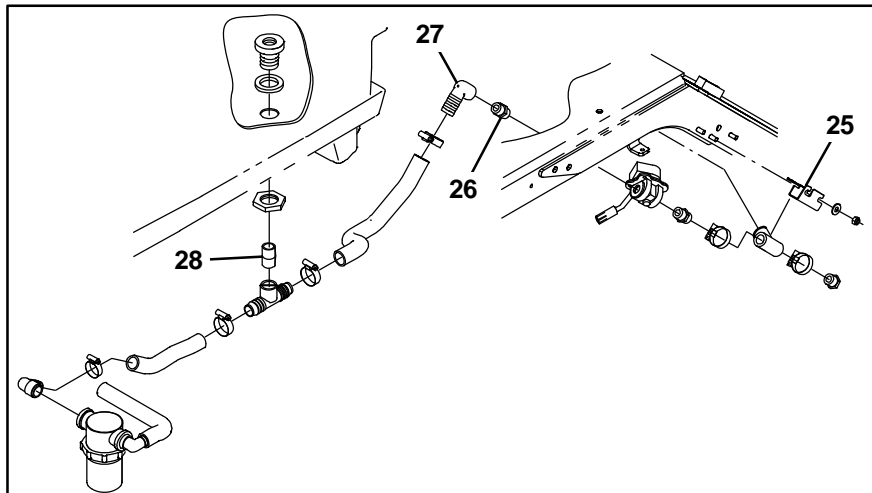
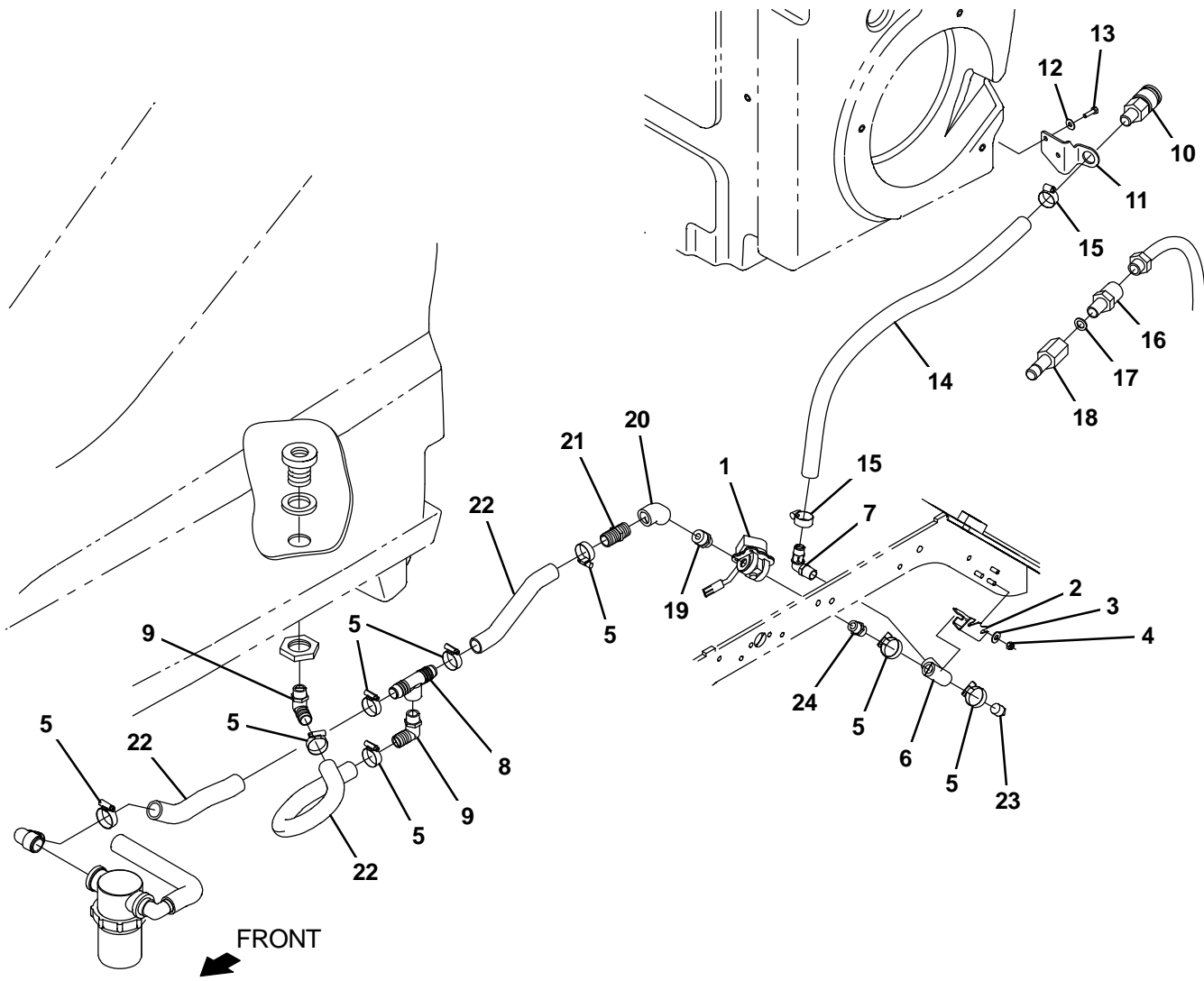


Fig. 29 – Auto Fill Group

Ref.	Part No.	Serial Number	Description	Qty.
1	41410	(000000–) Valve, Water, Solenoid, 36vdc Pf08/Pf08	1
2	1220430	(011000–) Bracket, Mtg, Ftg, Auto Fill	1
3	01685	(000000–) Washer, Flat, 0.38b 0.88d .08, Ss	2
4	08713	(000000–) Nut, Hex, Lock, M8 X 1.25, NI, Ss	2
5	11399	(000000–) Clamp, Hose, Wormdrive, 0.81–1.50d, .50w	8
6	79497	(000000–) Fitting, Plstc, Tee, Pf08/Pf08/Pf08	1
7	63244–2	(000000–) Fitting, Plstc, E90, Bm12/Pm08	1
8	365096	(000000–) Fitting, Plstc, Tee, Bm16/Pf12/Bm16, Br	1
9	18595	(013000–) Fitting, Plstc, E90, Bm16/Pm12	2
10	24105	(000000–) Fitting, Brs, Qdc, Bm12/Qf08	1
11	1208043	(000000–) Bracket, Mtg, Fitting, Qdc	1
12	01684	(000000–) Washer, Flat, 0.27b 0.69d .05, Ss	2
13	11329	(000000–) Screw, Hex, M6 X 1.00 X 16, NI, Ss	2
14	1045034	(000000–) Hose, Afmkt, Pvc, Wir, 0.75id, 08ft, Clr	2
15	63810	(000000–) Clamp, Hose, Wormdrive, 0.56–1.06d, .56w	4
16	375321	(000000–) Fitting, Brs, Str, Pm08/Garden Hose	1
17	01316	(000000–) Washer, Flat, 0.66b 1.00d .12, Rbr	1
18	33295	(000000–) Fitting, Brs, Qdc, Pf08	1
19	1005218	(011000–) Fitting, Plstc, Str, Pm08/Pm12, Nyl	1
20	10575	(011000–) Fitting, Plstc, E45, Pf12/Pf12	1
21	57379	(011000–) Fitting, Plstc, Str, Bm16/Pm12	1
22	1214095	(000000–) Hose, Afmkt, Pvc, Wir, 1.00 Id, 03ft, Clr	3
23	17521	(000000–) Fitting, Pipe, Plug, Pm08, Sq Head	1
24	86508	(000000–) Fitting, Plstc, Str, Pm08/Pm08	1
25	1207777	(000000–010999) Bracket, Mtg, Ftg, Auto Fill	1
26	86508	(000000–010999) Fitting, Plstc, Str, Pm08/Pm08	3
27	1210841	(000000–010999) Fitting, Plstc, E90, Bm16/Pf8	1
28	69784	(000000–010999) Fitting, Plstc, Str, Pm12/Pm12 Close	1

Fig. 30 - ES Auto Fill Group

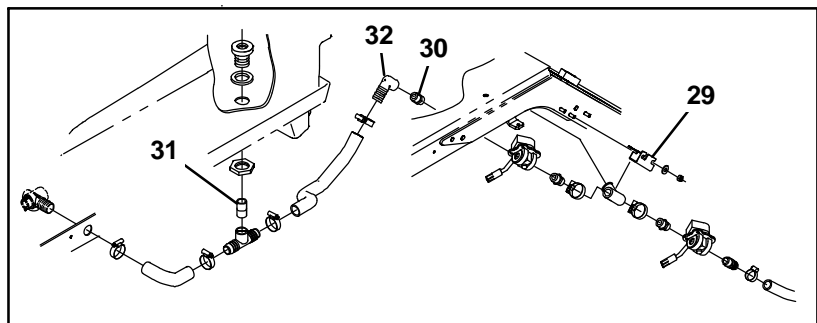
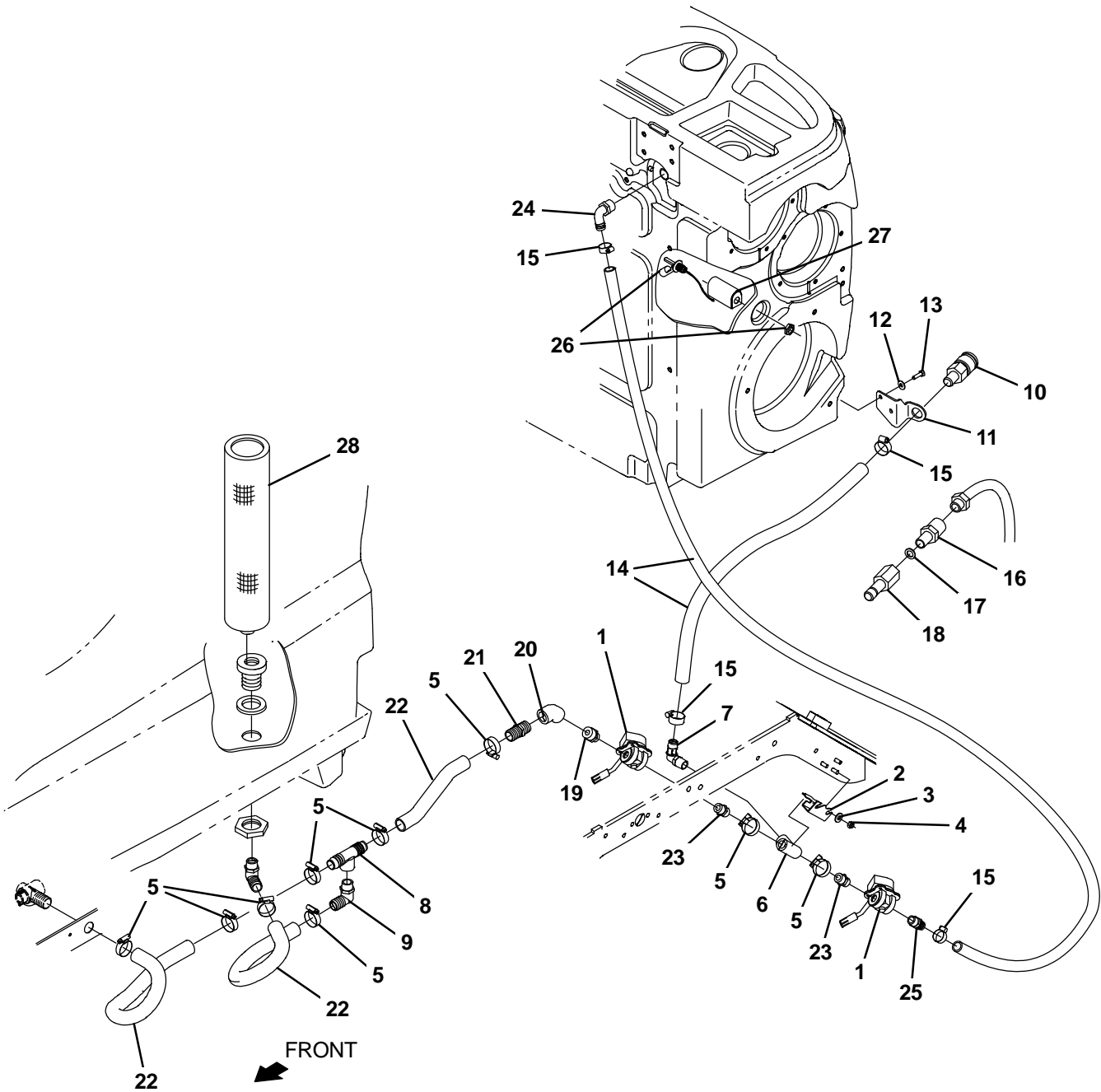


Fig. 30 – ES Auto Fill Group

Ref.	Part No.	Serial Number	Description	Qty.
1	41410	(000000–)	Valve, Water, Solenoid, 36vdc Pf08/Pf08	1
2	1220430	(011000–)	Bracket, Mtg, Ftg, Auto Fill	1
3	01685	(000000–)	Washer, Flat, 0.38b 0.88d .08, Ss	2
4	08713	(000000–)	Nut, Hex, Lock, M8 X 1.25, NI, Ss	2
5	11399	(000000–)	Clamp, Hose, Wormdrive, 0.81–1.50d, .50w	8
6	79497	(000000–)	Fitting, Plstc, Tee, Pf08/Pf08/Pf08	1
7	63244–2	(000000–)	Fitting, Plstc, E90, Bm12/Pm08	1
8	365096	(000000–)	Fitting, Plstc, Tee, Bm16/Pf12/Bm16, Br	1
9	18595	(011000–)	Fitting, Plstc, E90, Bm16/Pm12	2
10	24105	(000000–)	Fitting, Brs, Qdc, Bm12/Qf08	1
11	1208043	(000000–)	Bracket, Mtg, Fitting, Qdc	1
12	01684	(000000–)	Washer, Flat, 0.27b 0.69d .05, Ss	2
13	11329	(000000–)	Screw, Hex, M6 X 1.00 X 16, NI, Ss	2
14	1045034	(000000–)	Hose, Afmkt, Pvc, Wir, 0.75id, 08ft, Clr	2
15	63810	(000000–)	Clamp, Hose, Wormdrive, 0.56–1.06d, .56w	4
16	375321	(000000–)	Fitting, Brs, Str, Pm08/Garden Hose	1
17	01316	(000000–)	Washer, Flat, 0.66b 1.00d .12, Rbr	1
18	33295	(000000–)	Fitting, Brs, Qdc, Pf08	1
19	1005218	(011000–)	Fitting, Plstc, Str, Pm08/Pm12, Nyl	1
20	10575	(011000–)	Fitting, Plstc, E45, Pf12/Pf12	1
21	57379	(011000–)	Fitting, Plstc, Str, Bm16/Pm12	1
22	1214095	(000000–)	Hose, Afmkt, Pvc, Wir, 1.00 Id, 03ft, Clr	3
23	86508	(000000–)	Fitting, Plstc, Str, Pm08/Pm08	2
24	14877	(000000–)	Fitting, Plstc, E90, Bm12/Pm12	1
25	78398	(000000–)	Fitting, Plstc, Str, Bm12/Pm08, Nyl	1
26	385685	(000000–)	Sensor, Level, Liq, 14vdc 01a .62–11	1
27	1019285	(000000–)	Bracket, Protector, Float Switch	1
28	1208733	(000000–)	Filter, Soltn, 080mesh, Pm12 3.2s 17.5l	1
29	1207777	(000000–010999)	Bracket, Mtg, Ftg, Auto Fill	1
30	86508	(000000–010999)	Fitting, Plstc, Str, Pm08/Pm08	1
31	69784	(000000–010999)	Fitting, Plstc, Str, Pm12/Pm12 Close	1
32	1210841	(000000–010999)	Fitting, Plstc, E90, Bm16/Pf8	1

Fig. 31 - ES Pump Group

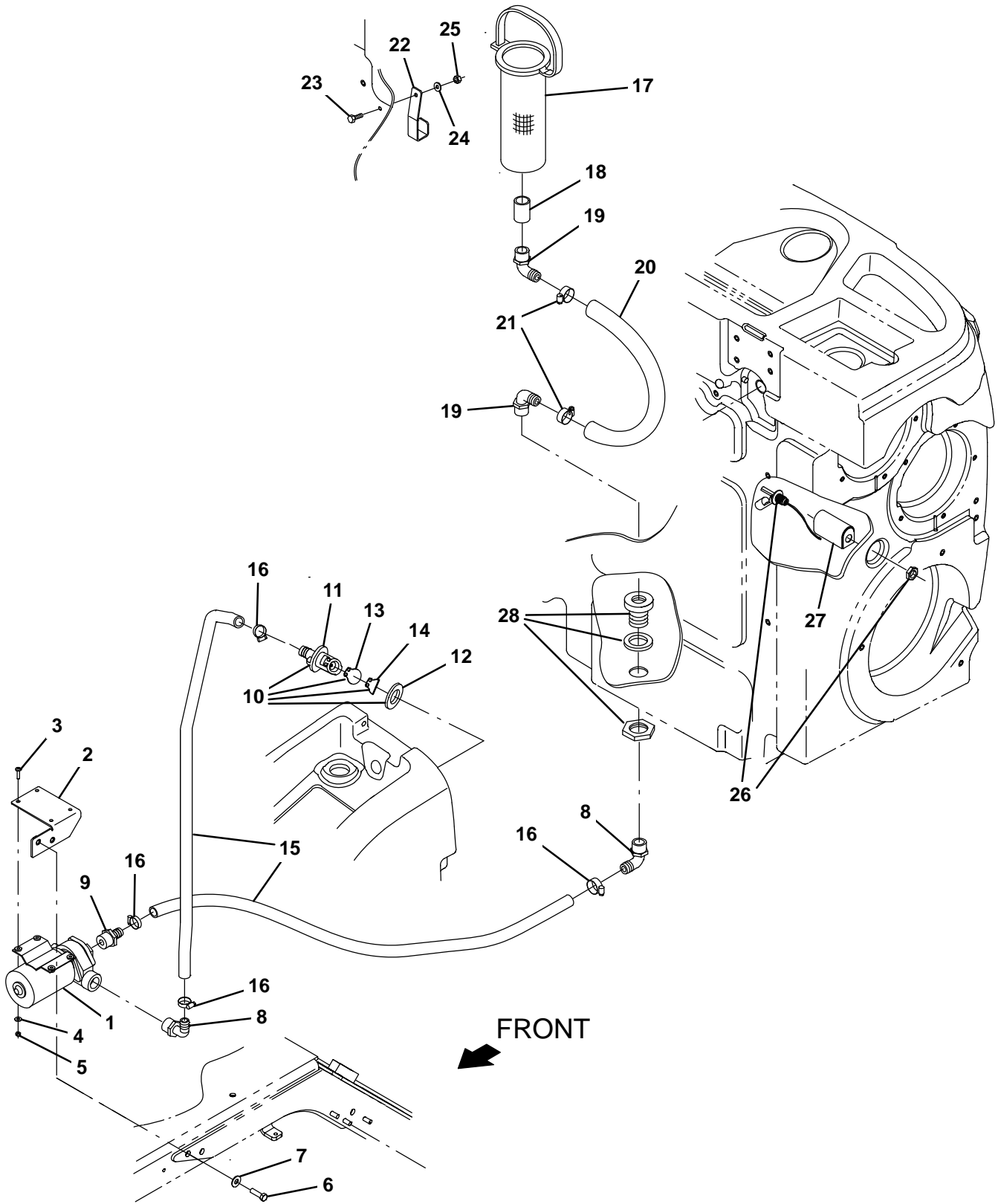


Fig. 31 – ES Pump Group

Ref.	Part No.	Serial Number	Description	Qty.
1	1057978	(000000–) Pump, Soltn, 36vdc, Impeller	1
2	1207659	(000000–) Bracket Weldmt, Mtg, Pump	1
3	24196	(000000–) Screw, Pan, Phl, M5 X 0.80 X 20, Ss	4
4	01683	(000000–) Washer, Flat, 10, Ss	4
5	09739	(000000–) Nut, Hex, Lock, M5 X 0.80, NI, Ss	4
6	09011	(000000–) Screw, Hex, M8 X 1.25 X 30, Ss	2
7	01685	(000000–) Washer, Flat, 0.38b 0.88d .08, Ss	2
8	73468	(000000–) Fitting, Plstc, E90, Bm10/Pm12	2
9	71628	(000000–) Fitting, Plstc, Str, Bm10/Pm12 [Nylon]	1
▽	10	9014338	(000000–) Valve Kit, Check, Es [T17]	1
▲	11	78840	(000000–) Valve, Check, Pump, Water	1
▲	12	73342	(000000–) Gasket, .25 1.88d 1.0id [Poron]	1
▲	13	78841	(000000–) Flapper, Valve, Pump, Water	1
▲	14	1217187	(000000–) Flap, Resistor, Check Valve	1
	15	1015032	(000000–) Hose, Afmkt, Pvc, Brd, 0.62id, 08ft, Clr	1
	16	54333	(000000–) Clamp, Hose, Wormdrive, 0.31–0.88d, .31w	4
	17	386652	(000000–) Strainer, Soltn, 20mesh, Cyl, 3.5d 09.5l	1
	18	05134	(000000–) Fitting, Plstc, Str, Pf12/Pf12	1
	19	14877	(000000–) Fitting, Plstc, E90, Bm12/Pm12	2
	20	1006410	(000000–) Hose, Afmkt, Pvc, Brd, 0.75id, 03ft, Clr	1
	21	63810	(000000–) Clamp, Hose, Wormdrive, 0.56–1.06d, .56w	2
	22	1061954	(000000–) Bracket, Strainer, Pump, Es	1
	23	09007	(000000–) Screw, Hex, M6 X 1.00 X 25, Ss	1
	24	76426	(000000–) Washer, Sealing, 0.28b 0.75d Ss, Neo	1
	25	08712	(000000–) Nut, Hex, Lock, M6 X 1.00, NI, Ss	1
	26	385685	(000000–) Sensor, Level, Liq, 14vdc 01a .62–11	1
	27	1019285	(000000–) Bracket, Protector, Float Switch	1
	28	377349	(000000–) Fitting, Plstc, Pf12/Pf12, Bh	1

Fig. 32 – ES / Severe Environment / Detergent Metering Group

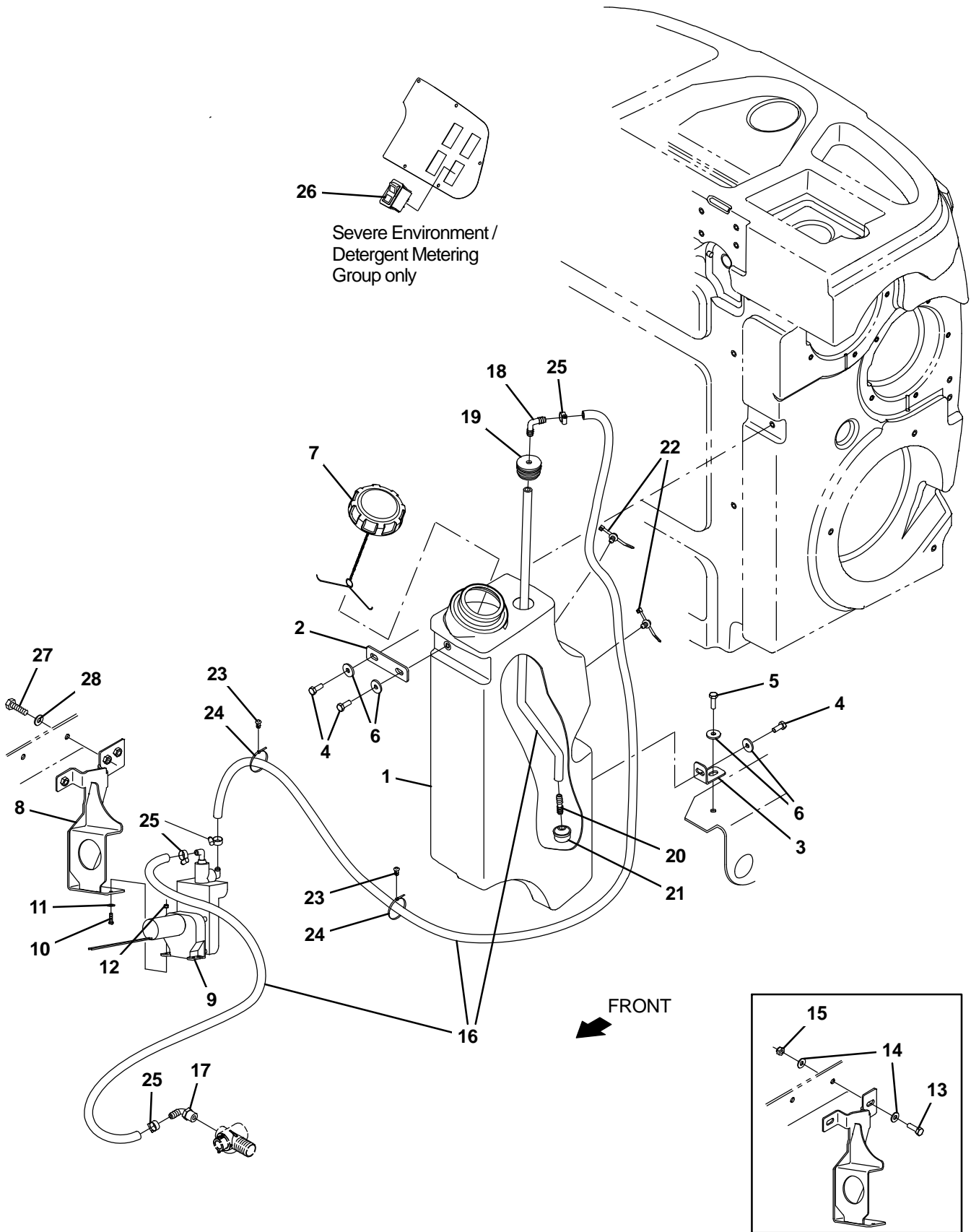


Fig. 32 – ES / Severe Environment / Detergent Metering Group

Ref.	Part No.	Serial Number	Description	Qty.
1	9020258	(000000–) Tank Kit, Detergent, Afmkt [T17]	1
1	9020288	(000000–) Tank Kit, Detergent, Tj Afmkt [T17] (Japan Only)	1
2	1208732	(000000–) Plate, Mtg, Tank, Detergent	1
3	1207750	(000000–) Bracket, Mtg, Tank, Detergent	1
4	12273	(000000–) Screw, Hex, M8 X 1.25 X 20, NI, Ss	3
5	09011	(000000–) Screw, Hex, M8 X 1.25 X 30, Ss	1
6	1017218	(000000–) Washer, Flat, 0.32b 1.00d .12, Ss	4
7	1011885	(000000–) Cap, Tank	1
8	1213317	(000000–010999) Bracket Wldt, Pump	1
8	1225439	(011000–) Bracket Wldt, Pump	1
9	386364	(000000–) Pump, Detgt, 36vdc (See Breakdowns)	1
10	24265	(000000–) Screw, Pan, Phl, M4 X 0.70 X 16, Ss	2
11	01683	(000000–) Washer, Flat, 10, Ss	2
12	33932	(000000–) Nut, Hex, Lock, M4 X 0.70, NI, Ss	2
13	09010	(000000–010999) Screw, Hex, M8 X 1.25 X 25, Ss	2
14	32490	(000000–010999) Washer, Flat, 0.25, Std	4
15	08713	(000000–010999) Nut, Hex, Lock, M8 X 1.25, NI, Ss	2
16	1014981	(000000–) Hose, Afmkt, Pvc, Brd, 0.38id, 20ft, Clr	1
17	1005630	(000000–) Fitting, Plstc, E90, Bm06/Pm06, Nyl	1
18	20951	(000000–) Fitting, Plstc, E90, Bm06/Bm06	1
19	20944	(000000–) Grommet, Pye, 0.37id, F/1.5h, .13 Matl	1
20	20950	(000000–) Fitting, Plstc, Str, Bm06/Bm06	1
21	20952	(000000–) Screen, Pump	1
22	1210807	(000000–) Wire, Tie [W/.25" Fir Tree Clip]	2
23	1071085	(000000–) Clip, Tie, 0.25d, Plstc	4
24	130773	(000000–) Tie, Cable, Nyl, 11.0l, .14w, 3.0 Max. D	6
25	43844	(000000–) Clamp, Hose, Wormdrive, 0.25–0.62d, .31w	4
26	1207284	(000000–) Switch, Rocker [Mom,Off,Mom, Dual Led] (Only on Severe Environment Group)	1
27	09011	(011000–) Screw, Hex, M8 X 1.25 X 30, Ss	2
28	32490	(011000–) Washer, Flat, 0.25, Std	2

Fig. 33 – ec-H2O Solution Pump Group

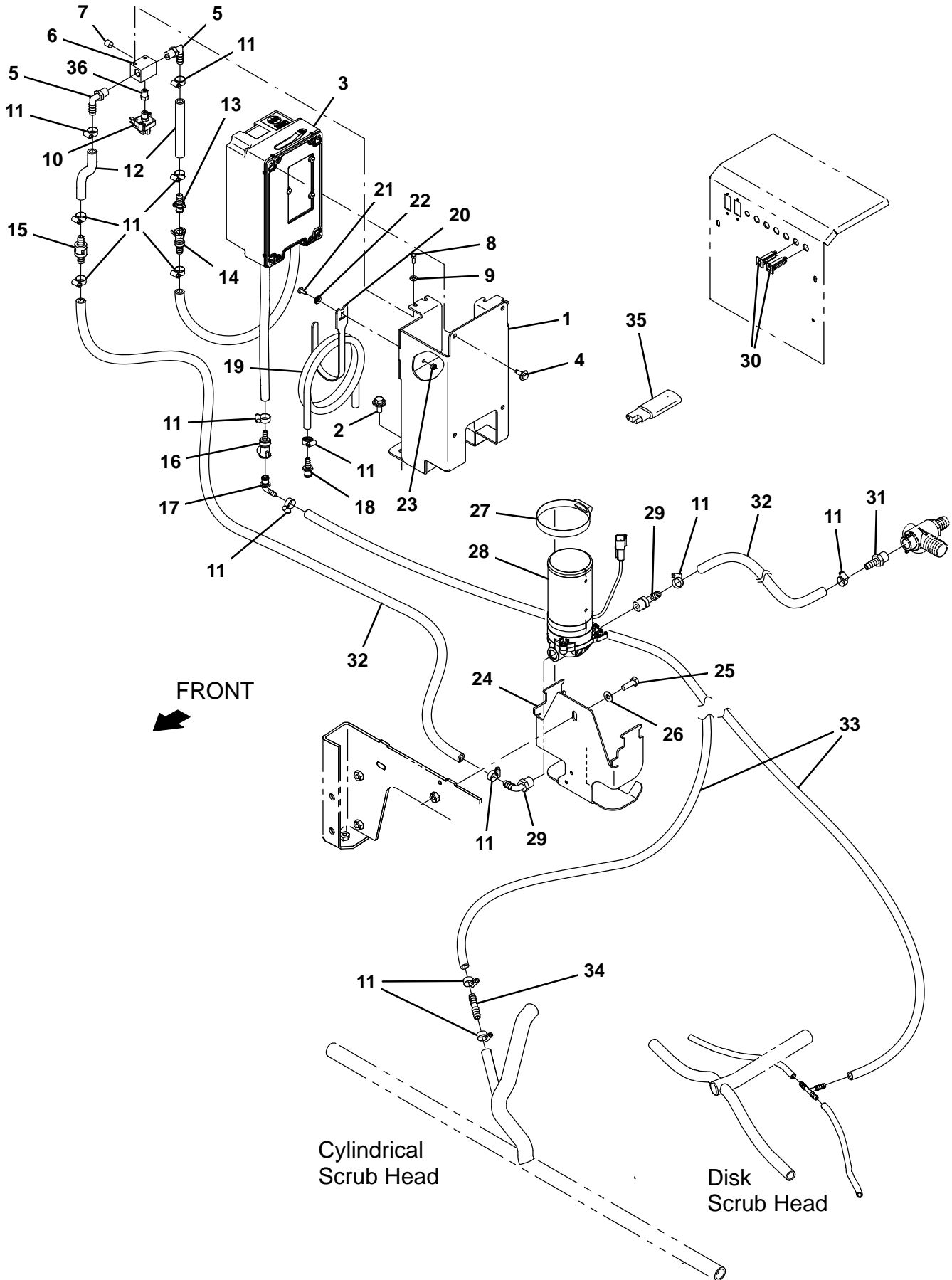


Fig. 33 – ec-H2O Solution Pump Group

Ref.	Part No.	Serial Number	Description	Qty.
1	1212443	(000000–) Bracket Wldt, Mgt [T17 Ec-H2o]	1
2	1020341	(000000–) Screw, Hex, M8 X 1.25 X 20, Ss, Sems	2
3	9020260	(000000–) Ec-H2O Module Kit, Afmkt [T17] (See Breakdowns)	1
4	1040467	(000000–) Screw, Hex, M6 X 1.00 X 20, 9.8, Sems	4
5	57248	(000000–) Fitting, Plstc, E90, Bm06/Pm04, Nyl	2
6	1059231	(000000–) Fitting, Stl, Pm04/Pm02/Pm04/Pm02, Spcl	1
7	150208	(000000–) Fitting, Brs, Str, Pm02, Plug [Skhd]	1
8	09738	(000000–) Screw, Hex, M5 X 0.80 X 12, Ss	2
9	01683	(000000–) Washer, Flat, 10, Ss	2
10	1055254	(000000–) Switch, Press, 25 Psi, Pm02	1
11	43844	(000000–) Clamp, Hose, Wormdrive, 0.25–0.62d, .31w	15
12	1014974	(000000–) Hose, Afmkt, Pvc, Brd, 0.38id, 02ft, Clr	2
13	1203814	(000000–) Fitting, Plstc, Str, Bm06, Cplg, Male	1
14	1203454	(000000–) Fitting, Plstc, Str, Bm06, Cplg, Fem	1
15	1015455	(000000–) Valve, Check, 0005psi Bm06/Bm06	1
16	1203996	(000000–) Fitting, Plstc, Str, Bm05, Cplg, Fem	1
17	1204024	(000000–) Fitting, Plstc, E90, Bm04 Cplg Male	1
18	1204338	(000000–) Fitting, Plstc, Str, Bm04, Cplg, Male	1
19	1011522	(000000–) Hose, Afmkt, Pvc, Brd, 0.25Id, 03Ft	1
20	1067526	(000000–) Fastener, 8.0l [Hook And Loop]	1
21	09200	(000000–) Screw, Pan, Phl, M5 X 0.80 X 12, Ss	1
22	01683	(000000–) Washer, Flat, 10, Ss	1
23	09739	(000000–) Nut, Hex, Lock, M5 X 0.80, NI, Ss	1
24	1206138	(000000–010999) Bracket, Pump	1
24	1221952	(011000–) Bracket, Pump	1
25	09010	(000000–) Screw, Hex, M8 X 1.25 X 25, Ss	1
26	32490	(000000–) Washer, Flat, 0.25, Std	1
27	43555	(000000–) Clamp, Hose, Wormdrive, , 0.25–0.62D, .31W	1
28	1200328	(000000–) Pump, Soltn, Ele, 36vdc, 60psi	1
29	1005630	(000000–) Fitting, Plstc, E90, Bm06/Pm06, Nyl	2
30	1064184	(000000–) Circuitbreaker, 02.5a, Resetable	2
31	150538	(000000–) Fitting, Plstc, Str, Bm06/Pm06	1
32	1014976	(000000–) Hose, Afmkt, Pvc, Brd, 0.38id, 08ft, Clr	1
33	1014949	(000000–) Hose, Afmkt, Pvc, Brd, 0.25id, 08ft, Clr	1
34	1039557	(000000–) Fitting, Plstc, Str, Bm04/Bm06	1
35	1040868	(000000–) Capacitor, Plug [.01 Uf, 200v]	1
36	1062403	(000000–) Fitting, Brs, Snubber, Pm02/Pf02	1

Fig. 34 - ec-H2O solution Supply Group, Side Brush

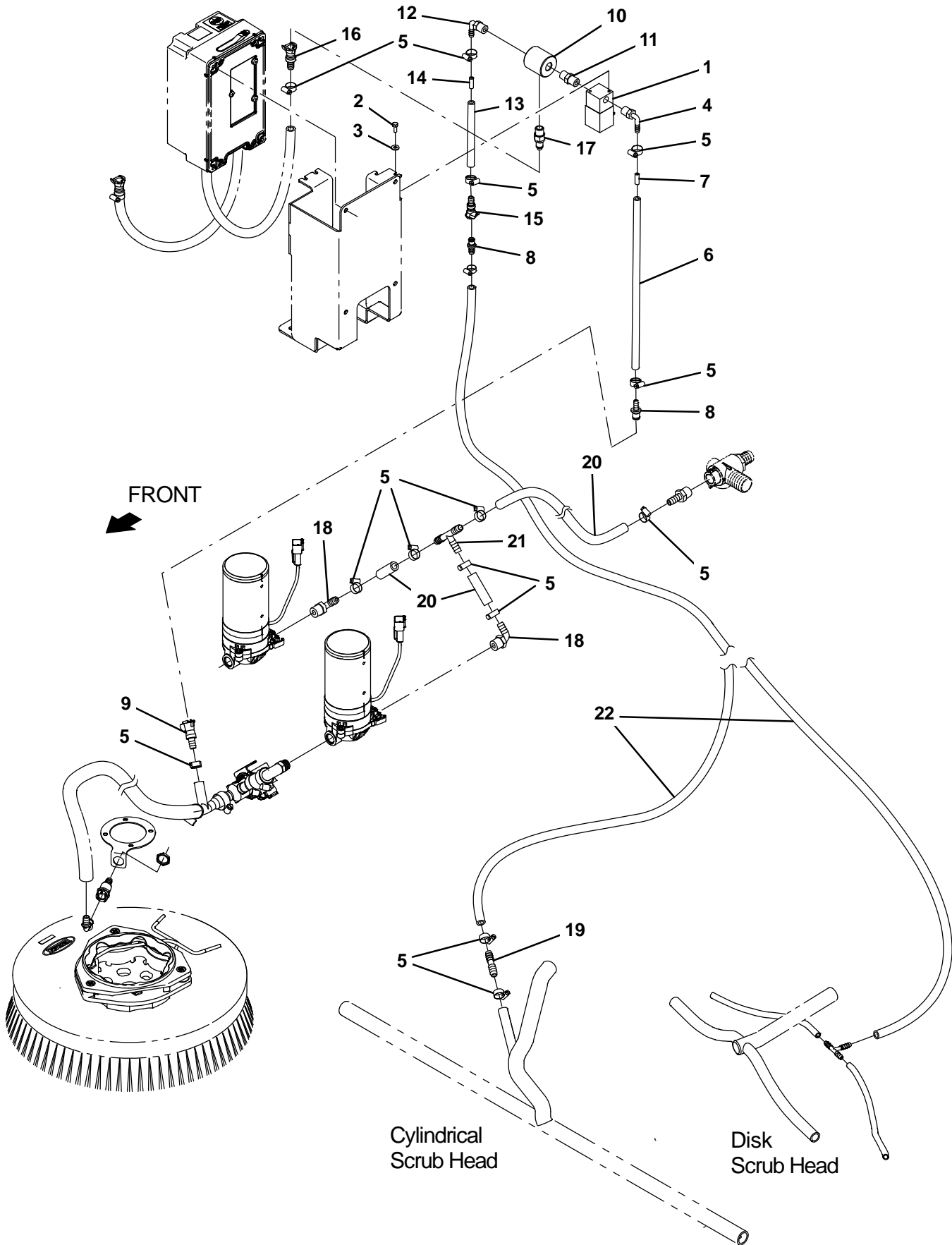
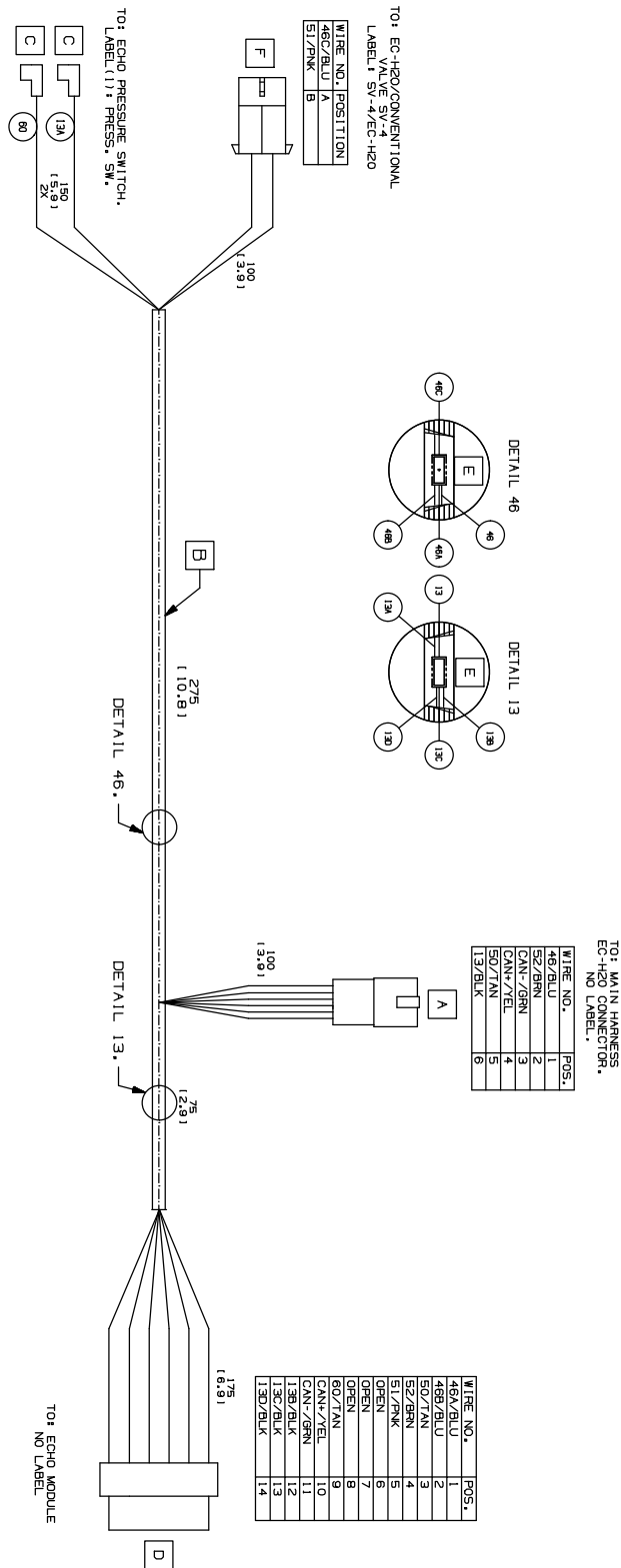


Fig. 34 – ec-H20 solution Supply Group, Side Brush

Ref.	Part No.	Serial Number	Description	Qty.
1	1028581	(000000–) Valve, Water, Solenoid, 36vdc 6.0mm Pf04	1
2	09738	(000000–) Screw, Hex, M5 X 0.80 X 12, Ss	2
3	01683	(000000–) Washer, Flat, 10, Ss	2
4	1011170	(000000–) Fitting, Plstc, E90, Bm04/Pm04, Nyl	1
5	43844	(000000–) Clamp, Hose, Wormdrive, 0.25–0.62d, .31w	17
6	1014949	(000000–) Hose, Afmkt, Pvc, Brd, 0.25ld, 08Ft	1
7	1200467	(000000–) Fitting, Plstc, Rst	1
8	1204338	(000000–) Fitting, Plstc, Str, Bm04, Cplg, Male	2
9	1203454	(000000–) Fitting, Plstc, Str, Bm06, Cplg, Fem	1
10	1206303	(000000–) Fitting, Plstc, Pf04/Pf04/Pf04	1
11	1052010	(000000–) Fitting, Plstc, Str, Pm04/Pm04	1
12	1011170	(000000–) Fitting, Plstc, E90, Bm04/Pm04, Nyl	1
13	1011409	(000000–) Hose, Afmkt, Pvc, Brd, 0.25ld, 01Ft	1
14	1201441	(000000–) Fitting, Plstc, Rst, Main Head	1
15	1002898	(000000–) Fitting, Plstc, Str, Bm04, Cplg,Fem[Tco]	1
16	1203996	(000000–) Fitting, Plstc, Str, Bm05, Cplg, Fem	1
17	1002899	(000000–) Fitting, Plstc, Str, Pm04, Cplg,Mal[Tco]	1
18	1005630	(000000–) Fitting, Plstc, E90, Bm06/Pm06, Nyl	2
19	1039557	(000000–) Fitting, Plstc, Str, Bm04/Bm06	1
20	1006400	(000000–) Hose, Afmkt, Pvc, Brd, 0.38id, 03ft, Clr	1
21	87173	(000000–) Fitting, Plstc, Tee, Bm06/Bm06/Bm06	1
22	1011411	(000000–) Hose, Afmkt, Pvc, Brd, 0.25ld, 03Ft	1

Fig. 35 - ec-H20 Wire Harness Group



Ref.	Part No.	Serial Number	Description	Qty.
1	1069671	(000000-)	Harness, Ele [Ec-H20, T12]	1



Fig. 36 – Spray Nozzle Group

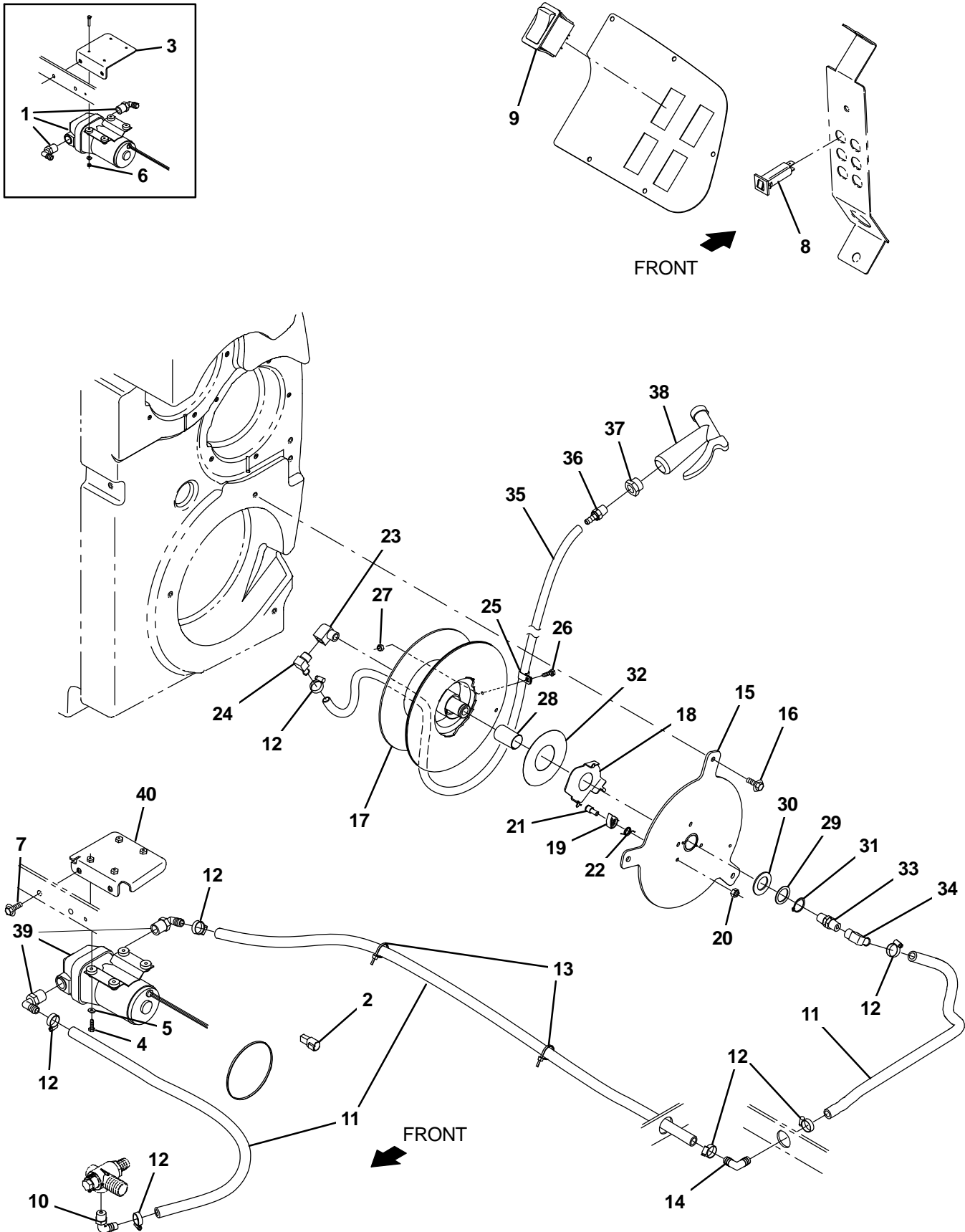


Fig. 36 – Spray Nozzle Group

Ref.	Part No.	Serial Number	Description	Qty.
1	1054178	(000000-012999)	Pump, Soltn, Ele, 36vdc, 45psi	1
2	1056982	(000000-)	Diode, Ele, Plug	1
3	1207774	(000000-012999)	Bracket Wldt, Pump, Spray Hose	1
4	12316	(000000-)	Screw, Hex, M5 X 0.80 X 25, Ss	4
5	01683	(000000-)	Washer, Flat, 10, Ss	4
6	09739	(000000-012999)	Nut, Hex, Lock, M5 X 0.80, NI, Ss	4
7	1037346	(000000-)	Screw, Hex, M8 X 1.25 X 25, 9.8, Sems	2
8	1064188	(000000-)	Circuitbreaker, 15.0a, Resetable	1
9	398500	(000000-)	Switch, Rocker, Dpdt, On / None / On	1
10	64778	(000000-)	Fitting, Plstc, E90, Bm08/Pm06	1
11	1011837	(000000-)	Hose, Afmkt, Pvc, Brd, 0.50id, 12ft, Clr	1
12	54333	(000000-)	Clamp, Hose, Wormdrive, 0.31-0.88d, .31w	7
13	130773	(000000-)	Tie, Cable, Nyl, 11.0l, .14w, 3.0 Max. D	2
14	63987-1	(000000-)	Fitting, Plstc, E90, Bm08/Bm08	1
15	1206482	(000000-)	Plate Wldt, Mtg, Hose-Reel [T17]	1
16	1020341	(000000-)	Screw, Hex, M8 X 1.25 X 20, Ss, Sems	3
17	1206456	(000000-)	Reel Assy, Hose, Large	1
18	1203947	(000000-)	Washer, Retainer, Spring	1
19	1201393	(000000-)	Pawl, Ratchet	1
20	08709	(000000-)	Nut, Hex, Lock, M8 X 1.25, NI	1
21	1056719	(000000-)	Bolt, Shld, .41d X 0.35, M8 X 1.25	1
22	1201423	(000000-)	Spring, Torsion, Hose Reel	1
23	24584	(000000-)	Fitting, Brs, E90, Pf06/Pm06, Spcl	1
24	1060128	(000000-)	Fitting, Brs, E90, Bm06/Pm06, Short	1
25	33584	(000000-)	Clamp, Cable, Stl, 0.63d X 0.50w, 1hole	1
26	06943	(000000-)	Screw, Hex, M6 X 1.00 X 20, 8.8	1
27	08708	(000000-)	Nut, Hex, Lock, M6 X 1.00, NI	1
28	1057816	(000000-)	Bushing, Sleeve, 1.00b 1.13d 1.750l, Fgl	1
29	1057814	(000000-)	Washer, Thrust, Plstc 1.02b 1.38d	1
30	32598	(000000-)	Washer, Flat, 1.02b 1.75d .12, Stl	1
31	09005	(000000-)	Ring, Retaining, Ext, 1.00d, Basic	1
32	1066919	(000000-)	Washer, Thrust, 50.0b 110.0d 0.79w	1
33	1200394	(000000-)	Fitting, Swivel, Str, Pf06/Pm06, Brs	1
34	47388	(000000-)	Fitting, Brs, E90, Em08/Pm06	1
35	9020252	(000000-)	Hose Kit, Spray, Afmkt [T17]	1
36	1060428	(000000-)	Fitting, Stl, Str, Bm06/Pm06, Swivel	1
37	1027976	(000000-)	Fitting, Brs, Str, Pf06/Pm12	1
38	769785	(000000-)	Nozzle, Spray, Gun	1
39	1242823	(013000-)	Pump, Soltn, Ele, 36vdc, 45psi	1
40	1244427	(013000-)	Bracket Wldt, Pump	1

Fig. 37 - Vacuum Wand Kit

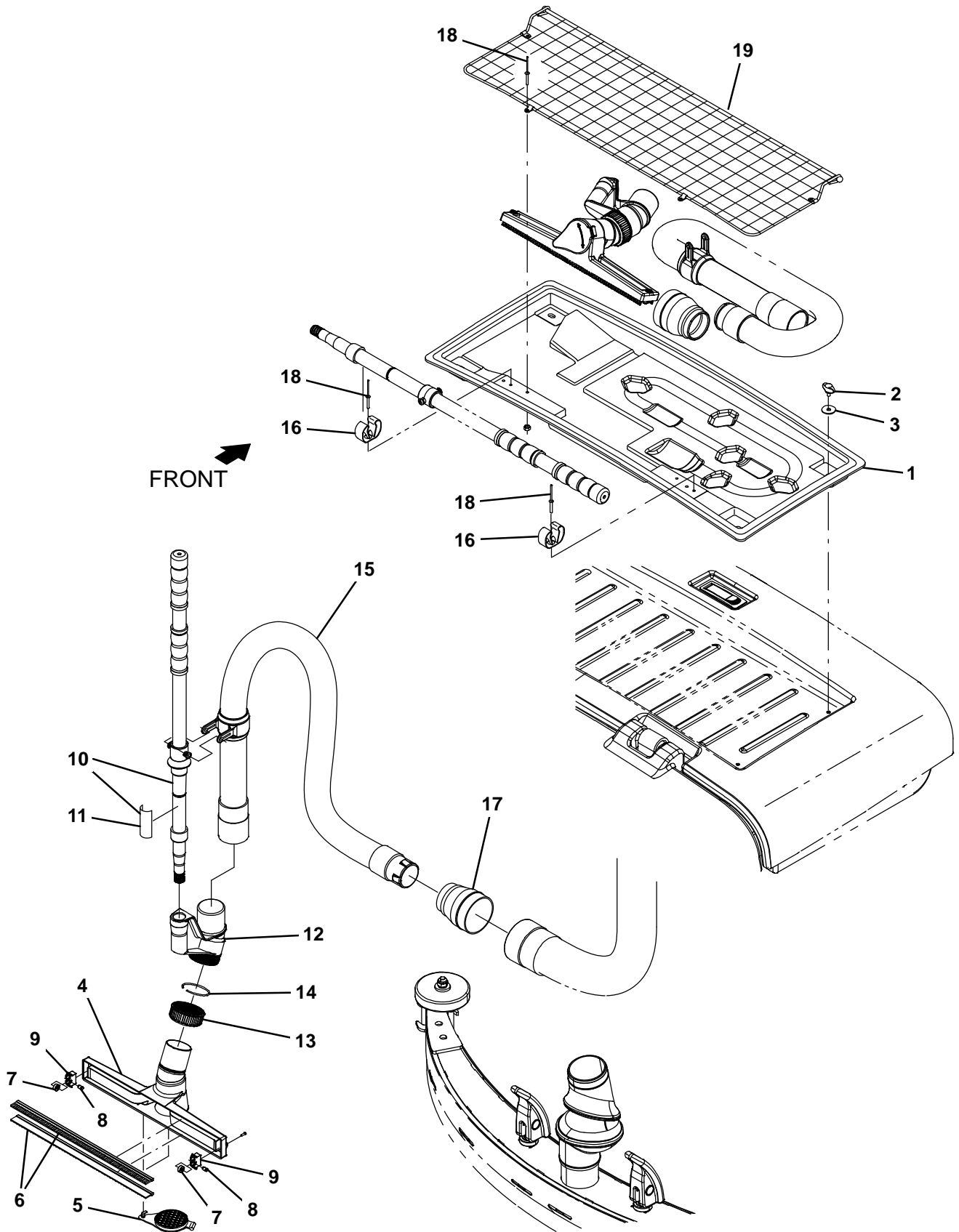


Fig. 37 – Vacuum Wand Kit

	Ref.	Part No.	Serial Number	Description	Qty.
▽		9020080	(000000–) Vac Wand Kit, Ci [T17]	1
▲	1	1207911	(000000–) Tray, Vac Wand	1
▲	2	1211150	(000000–) Knob, Star,	4
▲	3	397779	(000000–) Washer, Flat, 0.28b 1.00d .06, Stl, Blk	4
▲	4	1060440	(000000–) Squeegee, Hand	1
▲	5	1060691	(000000–) Plug, Adapter, Port	1
▲	6	1061356	(000000–) Retainer, Blade, Sqge, 14.2l (1 set = 2 blades)	1
▲	7	1061570	(000000–) Bearing, Ball, 0.24b 0.51d 0.20w [2seal]	2
▲	8	1061571	(000000–) Pin, Axle, Brg	2
▲	9	1022671	(000000–) Housing, Sqge, Holder, Wheel, F/609648	2
▲▽	10	9008155	(000000–) Handle Kit, Wand, Afmkt	1
▲▲	11	1062659	(000000–) Label, Opertnl, Vacuum Wand Handle	1
▲	12	1060708	(000000–) Adapter, Swivel, 1.75, Abs	1
▲	13	1060718	(000000–) Nut, Compression, 2.25–12, Abs	1
▲	14	1060720	(000000–) Ring, Compression	1
▲	15	1200642	(000000–) Hose Assy, Sqge, W/2cuff	1
▲	16	1014295	(000000–) Clip, Grip, Hose, 0.75 – 1.12, Stl, Blk, Vyl	2
▲	17	1207517	(000000–) Cuff, Adapter, 1.75 X 2.50, Pvc	1
▲	18	1213513	(000000–) Rivet, Blind, .156D X 1.07 X .31D, Alm	6
▲	19	1213799	(000000–) Mess Assy, Cloth	1

Fig. 38 – Squeegee Guard Group

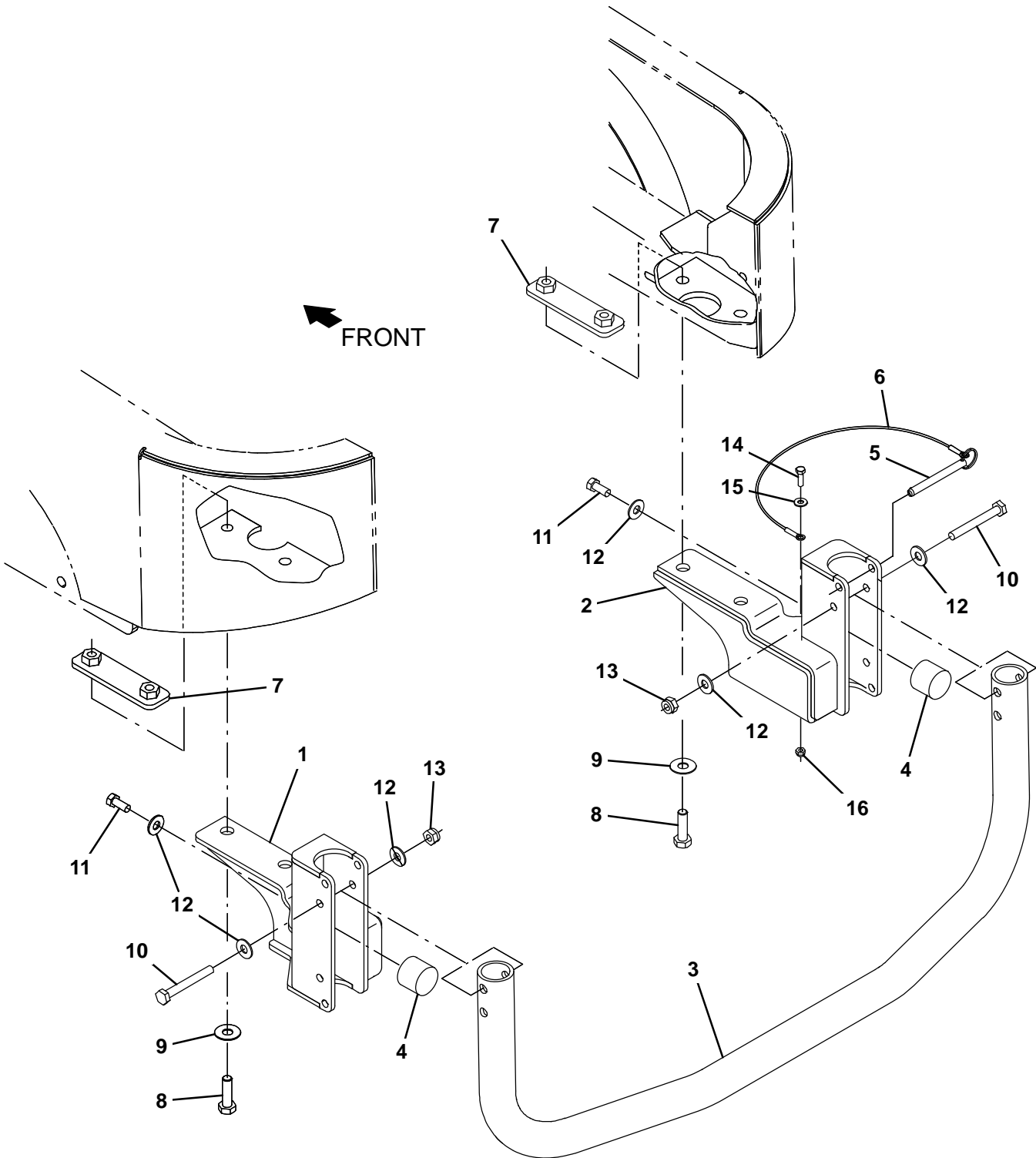


Fig. 38 – Squeegee Guard Group

Ref.	Part No.	Serial Number	Description	Qty.
1	1207961	(000000–) Bracket, Bumper, Lh, Squeegee [T17]	1
2	1207902	(000000–) Bracket, Bumper, Rh, Squeegee [T17]	1
3	1208109	(000000–) Tube, Guard	1
4	1024977	(000000–) Bumper, Ure, 1.50d 1.25l	2
5	369359	(000000–) Pin, Hitch, .375d X 3.12l, Pl	1
6	57702	(000000–) Cable, Glv .06d 012.0l .26eye /.26eye	1
7	1208053	(000000–) Plate, Doubler	2
8	69972	(000000–) Screw, Hex, M12 X 1.75 X 40, 10.9	4
9	140045	(000000–) Washer, Flat, 0.51b 1.25d .06, Ss	4
10	06965	(000000–) Screw, Hex, M10 X 1.50 X 80, 8.8	2
11	21196	(000000–) Screw, Hex, .38–16 X 0.88, G5	2
12	32492	(000000–) Washer, Flat, 0.38, Std	6
13	41430	(000000–) Nut, Hex, Lock, M10 X 1.5, NI	2
14	06943	(000000–) Screw, Hex, M6 X 1.00 X 20, 8.8	1
15	32483	(000000–) Washer, Flat, 0.25, Sae	1
16	08708	(000000–) Nut, Hex, Lock, M6 X 1.00, NI	1

Fig. 39 – Positive Drain Group

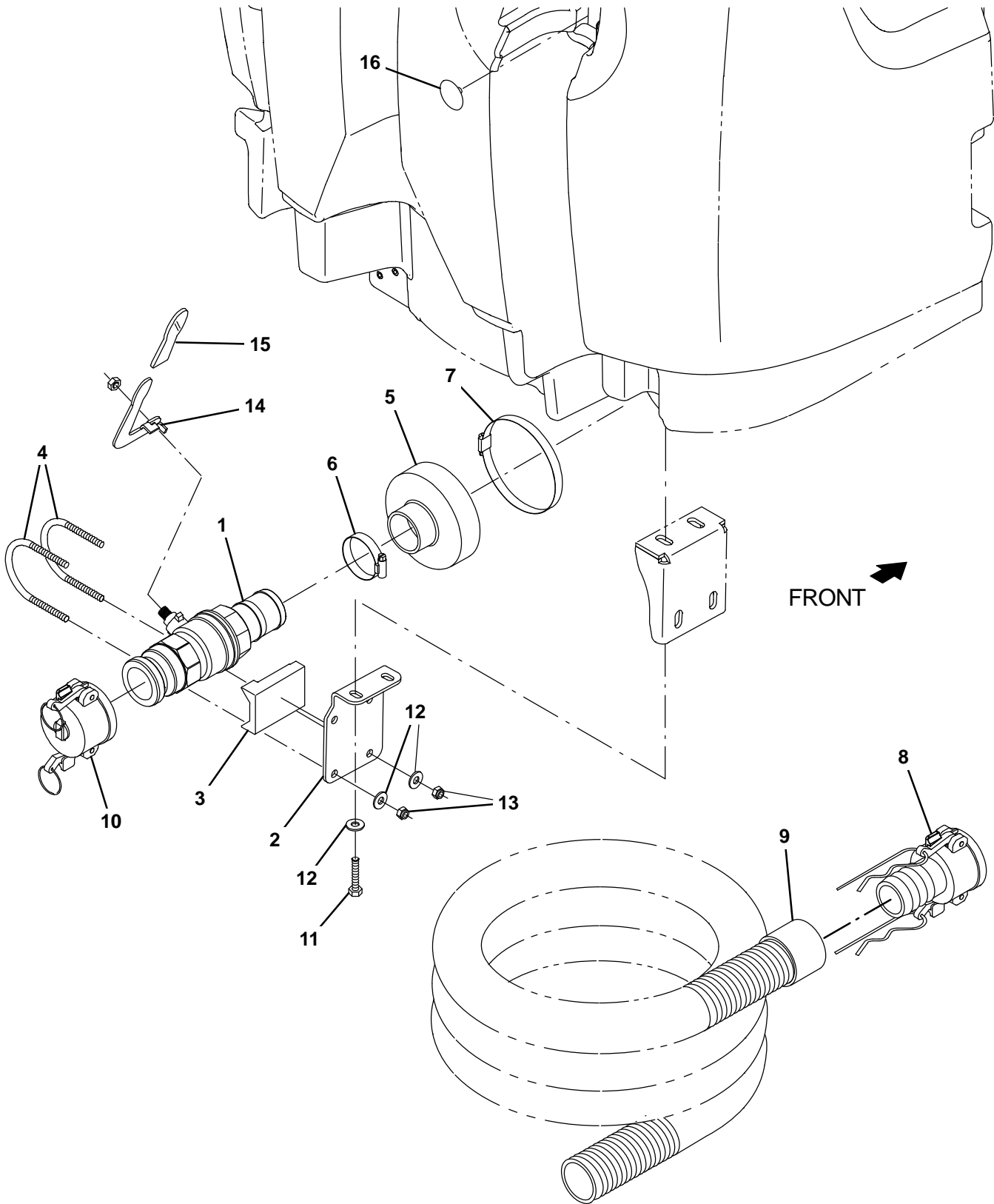


Fig. 39 – Positive Drain Group

Ref.	Part No.	Serial Number	Description	Qty.
1	1213186	(000000–) Valve, Ball, Drain, 2.00id, Rh	1
2	1212006	(000000–) Bracket, Mtg, Valve, Drain	1
3	1213118	(000000–) Support, Valve, Drain	1
4	1213182	(000000–) Clamp, Valve, U-Bolt	2
5	1211963	(000000–) Cuff, Hose, 5.0 / 2.0 Id	1
6	22297	(000000–) Clamp, Hose, Wormdrive, 1.56–2.50d, .50w	1
7	1201434	(000000–) Clamp, Hose, Wormdrive, 4.63–5.50, 0.5w	1
8	1213392	(000000–) Fitting, Coupler, Hose, Shank, Fem	1
9	1213206	(000000–) Hose Assy, W/1 Cuff, 2.0 Id 120.0 L	1
10	1214326	(000000–) Rework, Dust Cap, Valve, Drain	1
11	12333	(000000–) Screw, Hex, M8 X 1.25 X 25, Ss, NI	2
12	01685	(000000–) Washer, Flat, 0.38b 0.88d .08, Ss	6
13	08713	(000000–) Nut, Hex, Lock, M8 X 1.25, NI, Ss	4
14	1212366	(000000–) Handle, Valve	1
15	1213362	(000000–) Grip, Handle, Valve	1
16	1074075	(000000–) Plug, Hole, Rnd, 0.25H, 1.00D 0.6L, Nyl	1

Fig. 40 - Telemetry Group

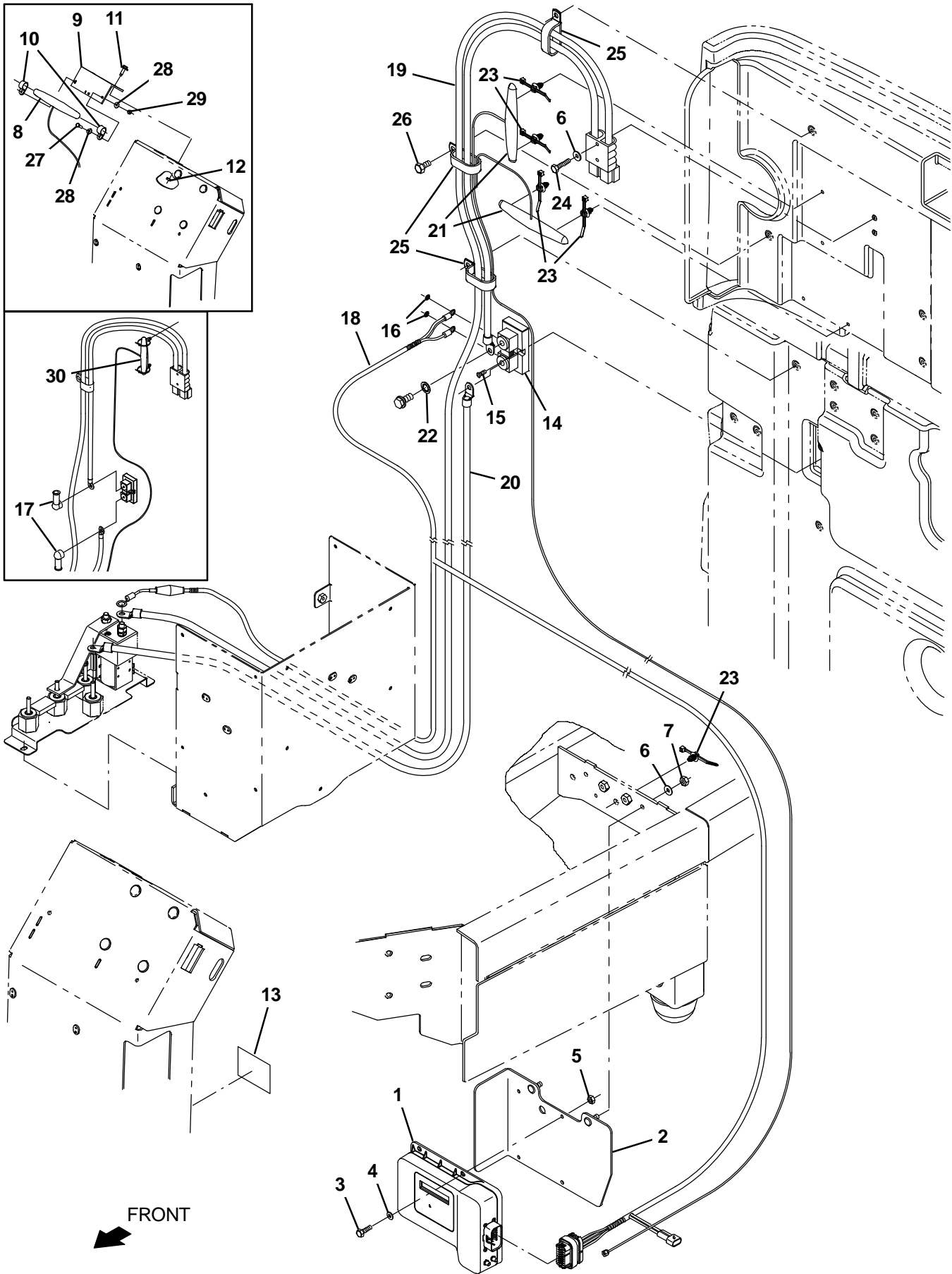


Fig. 40 – Telemetry Group

Ref.	Part No.	Serial Number	Description	Qty.	
1	1069467	(000000-014259)	Controlbox Assy, Telem [Int]	1	
1	1247507	(014260-)	Controlbox Assy, Telem [Usa, 4g]	1	
1	1070541	(000000-014259)	Controlbox Assy, Telem [Canada]	1	
1	1247508	(014260-)	Controlbox Assy, Telem [3g, Intl.]	1	
2	1207701	(000000-)	Bracket Wldt, Mtg, Telem	1	
3	09244	(000000-)	Screw, Hex, M5 X 0.80 X 16, 8.8	4	
4	19066	(000000-)	Washer, Flat, 0.25b 0.56d .05, Pl, 10	4	
5	06549	(000000-)	Nut, Hex, Lock, M5 X 0.80, NI	4	
6	32483	(000000-)	Washer, flat, 0.25, Sae	4	
7	08712	(000000-)	Nut, Hex, Lock, M6 X 1.00, NI, Ss	2	
8	1070324	(000000-010999)	Antenna, Telem, 110 In [Gprs]	1	
9	1070402	(000000-010999)	Angle, Mtg, Antenna, Telem	1	
10	140916	(000000-010999)	Clamp, Cable, Nyl, 0.62d, Nat	2	
11	1040467	(000000-010999)	Screw, Hex, M6 X 1.00 X 20, 9.8, Sems	2	
12	08712	(000000-010999)	Nut, Hex, Lock, M6 X 1.00, NI, Ss	2	
13	1069580	(000000-)	Label, Opertnl, Telem [Fcc/lc]	1	
14	1070757	(000000-)	Shunt, 050mv 400a	1	
15	06927	(000000-)	Screw, Pan, Phl, M4 X 0.70 X 16, 4.8	2	
16	07514	(000000-)	Washer, Lock, Int, 10, Ss	2	
17	611221	(000000-014259)	Boot, Terminal, Battery, 25.4mm, Blk	2	
▽	18	1073059	(000000-)	Harness, Ele [Telemetry, T17]	1
▲		9009990	(000000-)	Fuse, 002a, 250vdc, Cartridge	1
	19	1073077	(000000-010999)	Cable, Battery, 1/0ga [Telem, T17]	1
	19	1074600	(011000-)	Cable, Battery, 2/0ga [M17, Telem]	1
	20	1073078	(000000-010999)	Cable, 1/0ga 48.2l Blk[M9 Ring/.25 Ring]	1
	20	1074601	(011000-)	Cable, 2/0ga 61.0l Blk[M6 Ring/M9 Ring]	1
	21	1248350	(014260-)	Antenna, Telem [4g, 180"]	2
	22	39358	(000000-)	Washer, Lock, Int, 0.44	2
	23	1210807	(011000-)	Wire, Tie [W/.25" Fir Tree Clip]	5
	24	33930	(000000-)	Screw, Hex, M6 X 1.00 X 40, Ss	2
	25	09570	(000000-)	Clamp, Cable, Stl, 0.90d X 0.62w, 1hole	3
	26	09740	(000000-)	Screw, Hex, M8 X 1.25 X 20, Ss	3
	27	24199	(000000-010999)	Screw, Hex, M5 X 0.80 X 16, Ss	2
	28	01683	(000000-010999)	Washer, Flat, 10, Ss	4
	29	06549	(000000-010999)	Nut, Hex, Lock, M5 X 0.80, NI	2
	30	1070658	(011000-014259)	Antenna, Telem, 187 In [Gprs]	1

Fig. 41 - Battery Slide Out Group

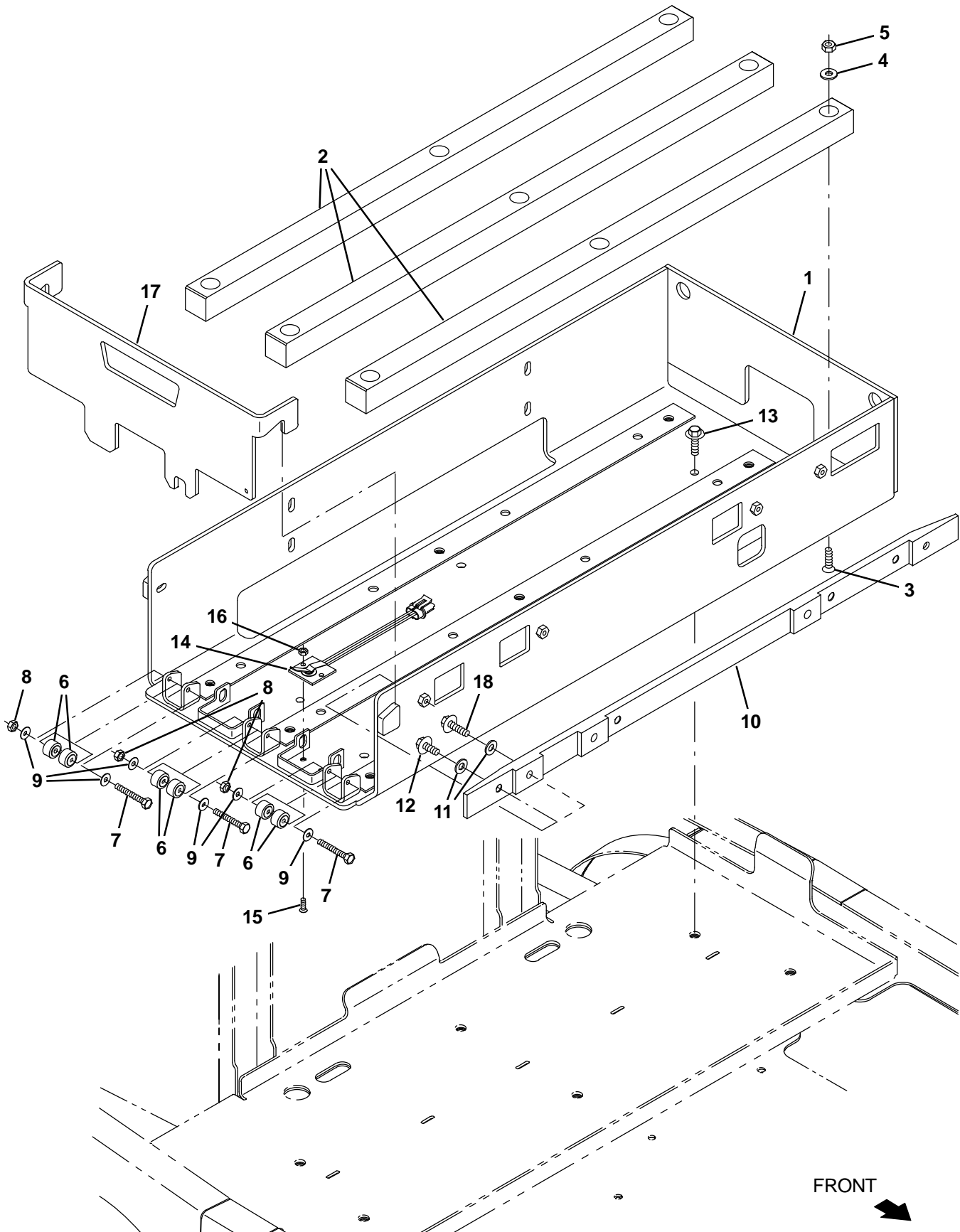


Fig. 41 – Battery Slide Out Group

Ref.	Part No.	Serial Number	Description	Qty.
1	1207912	(000000–010999)	Tray Wldt, Ro Battery, [T17]	1
1	1225437	(011000–012999)	Tray Wldt, Ro Battery, [T17]	1
1	1241249	(013000–)	Tray Wldt, R/O, Battery	1
2	1208527	(000000–)	Plate, Plstc, Bat Rollout	3
3	79506	(000000–)	Screw, Flt, Soc, M8 X 1.25 X 30, Ss	9
4	01685	(000000–)	Washer, Flat, 0.38b 0.88d .08, Ss	9
5	08713	(000000–)	Nut, Hex, Lock, M8 X 1.25, NI, Ss	9
6	369415	(000000–)	Bearing, Needle, 0.25b 0.88d 0.50w	6
7	58979	(000000–)	Screw, Hex, M6 X 1.00 X 55, Fl, Ss	3
8	08712	(000000–)	Nut, Hex, Lock, M6 X 1.00, NI, Ss	3
9	01684	(000000–)	Washer, Flat, 0.27b 0.69d .05, Ss	6
10	1209368	(000000–)	Plate, Guide, Battery Rollout [T17]	1
11	39349	(000000–)	Washer, Flat, 0.31, Sae	4
12	09740	(000000–)	Screw, Hex, M8 X 1.25 X 20, Ss (Large Battery)	4
13	1037354	(000000–010999)	Screw, Hex, M8 X 1.25 X 30, 9.8, Sems	6
13	1037355	(011000–)	Screw, Hex, M8 X 1.25 X 35, 9.8, Sems	6
14	1210673	(000000–)	Switch, Limit, N.C. [Cpi, Spst, 280 Mp]	1
15	09120	(000000–)	Screw, Flt, Soc, M5 X 0.80 X 16, 10.9	2
16	06549	(000000–)	Nut, Hex, Lock, M5 X 0.80, NI	2
17	1208673	(000000–012999)	Plate, Door, Battery Rollout [T17]	1
17	1241253	(013000–)	Plate, Door, Battery Rollout [T17/M17]	1
18	1037355	(000000–)	Screw, Hex, M8 X 1.25 X 35, 9.8, Sems (Small Battery)	6

Fig. 42 – Battery and Charger Group, 510AH / 625AH

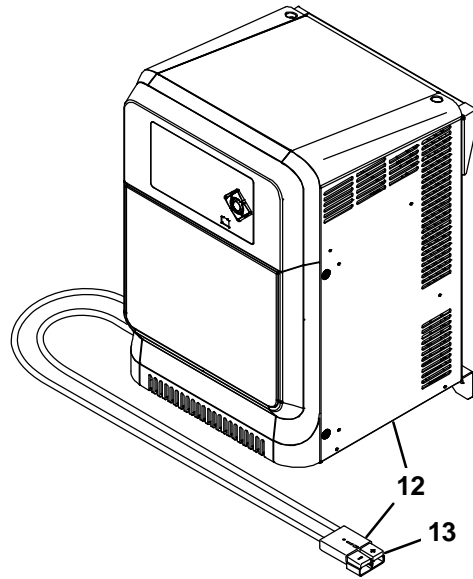
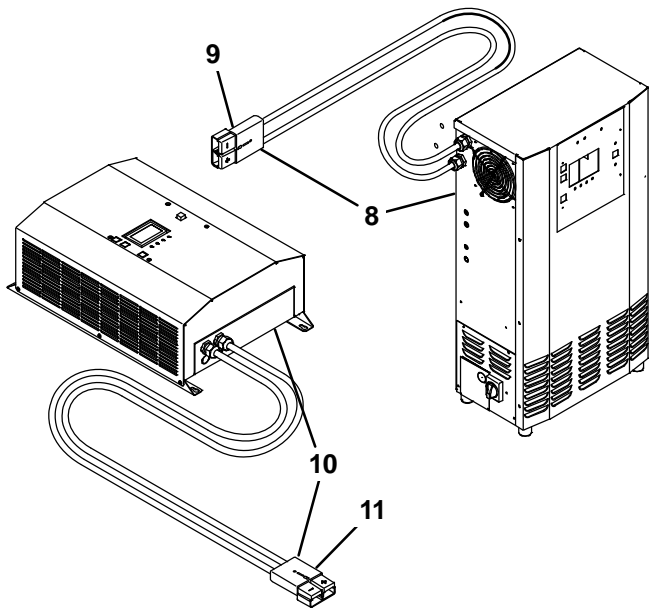
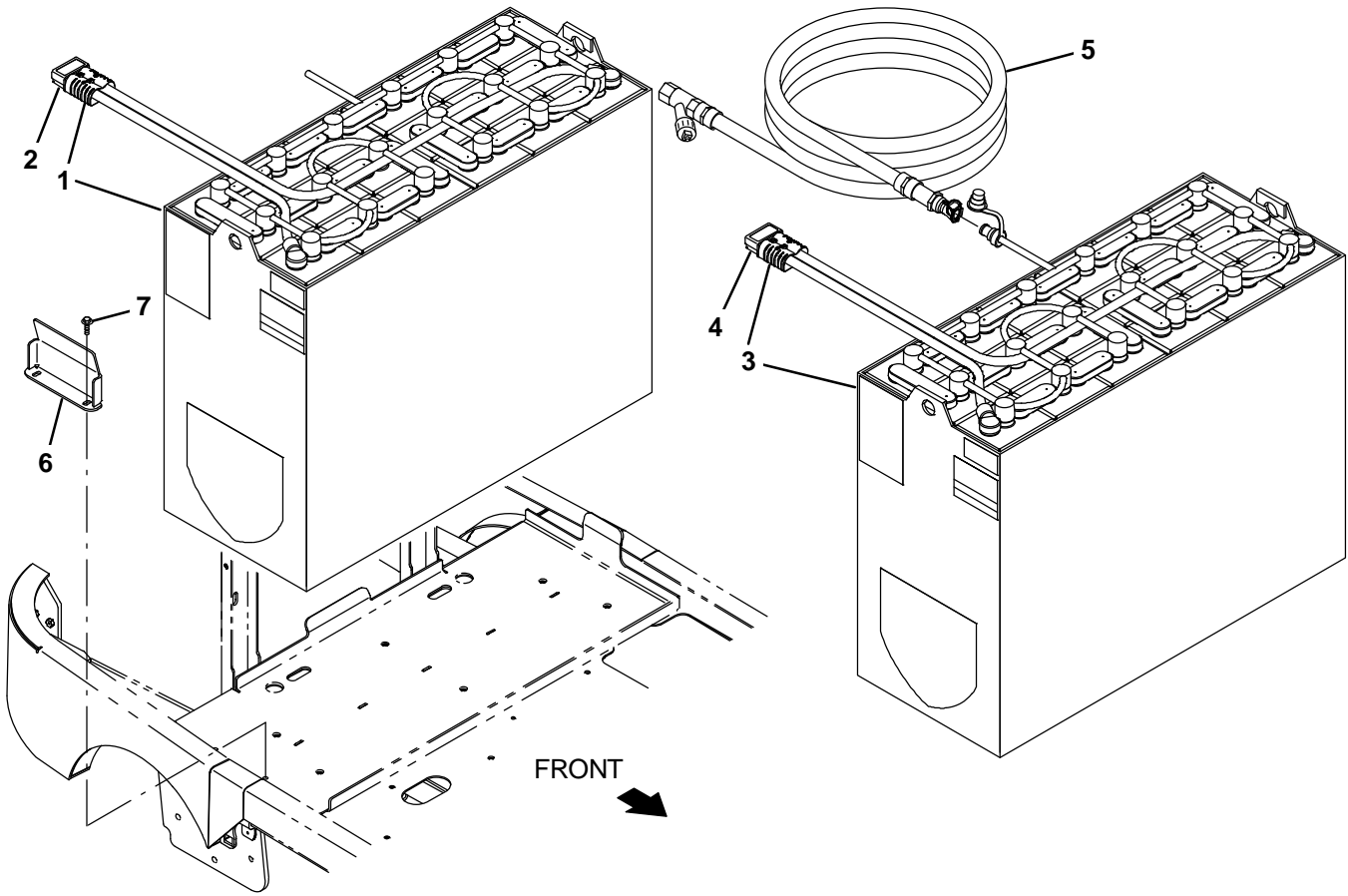


Fig. 42 – Battery and Charger Group, 510AH / 625AH

	Ref.	Part No.	Serial Number	Description	Qty.
▽	1	1244404	(000000–) Battery, Wet, 36Vdc, 510Ah	1
▲	2	01726	(000000–) Connector, 350a, Gray	1
▽	1	1248312	(000000–) Battery, Wet, 36Vdc, 625Ah (China Only)	1
▲	2	01726	(000000–) Connector, 350a, Gray	1
▽	3	1244412	(000000–) Battery, Wet, 36vdc, 510ah [W/Watering]	1
▲	4	01726	(000000–) Connector, 350a, Gray	1
	5	1213281	(000000–) Kit, Hose, Watering, Battery, 20ft	1
	6	1206951	(000000–) Bracket, Front, Battery	1
	7	1037354	(000000–) Screw, Hex, M8 X 1.25 X 30, 9.8 Sems	2
▽	8	1207934	(000000–) Charger, 36vdc/80a, 200–240vac 3ph	1
▲	9	01726	(000000–) Connector, 350a, Gray	1
▽	10	1207933	(000000–) Charger, 36vdc/80a, 200–240vac 1ph	1
▲	11	01726	(000000–) Connector, 350a, Gray	1
▽	12	1228060	(000000–) Charger, 36Vdc/a60A, 600Vac, 3Ph	1
▲	13	01726	(000000–) Connector, 350a, Gray	1

Fig. 43 – Battery and Charger Group, 750AH / 775AH

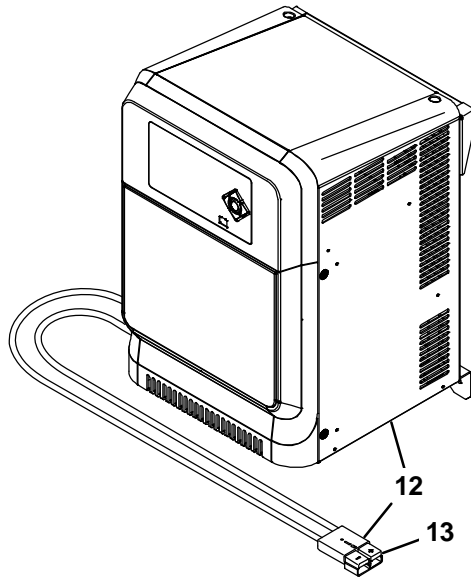
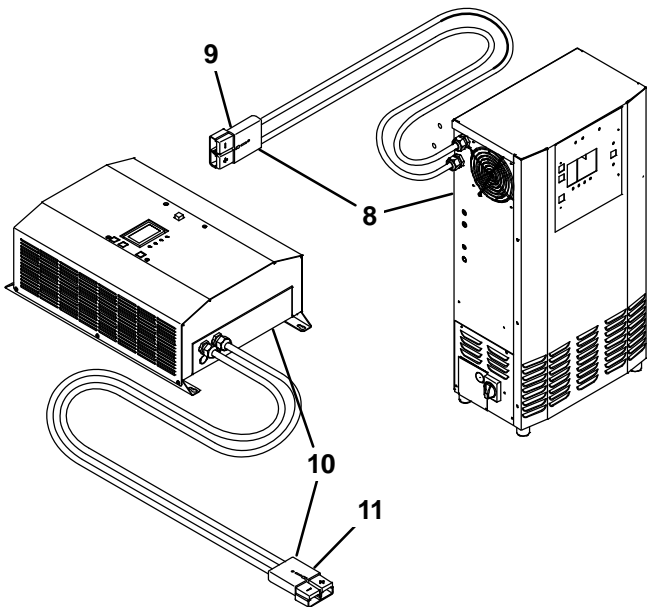
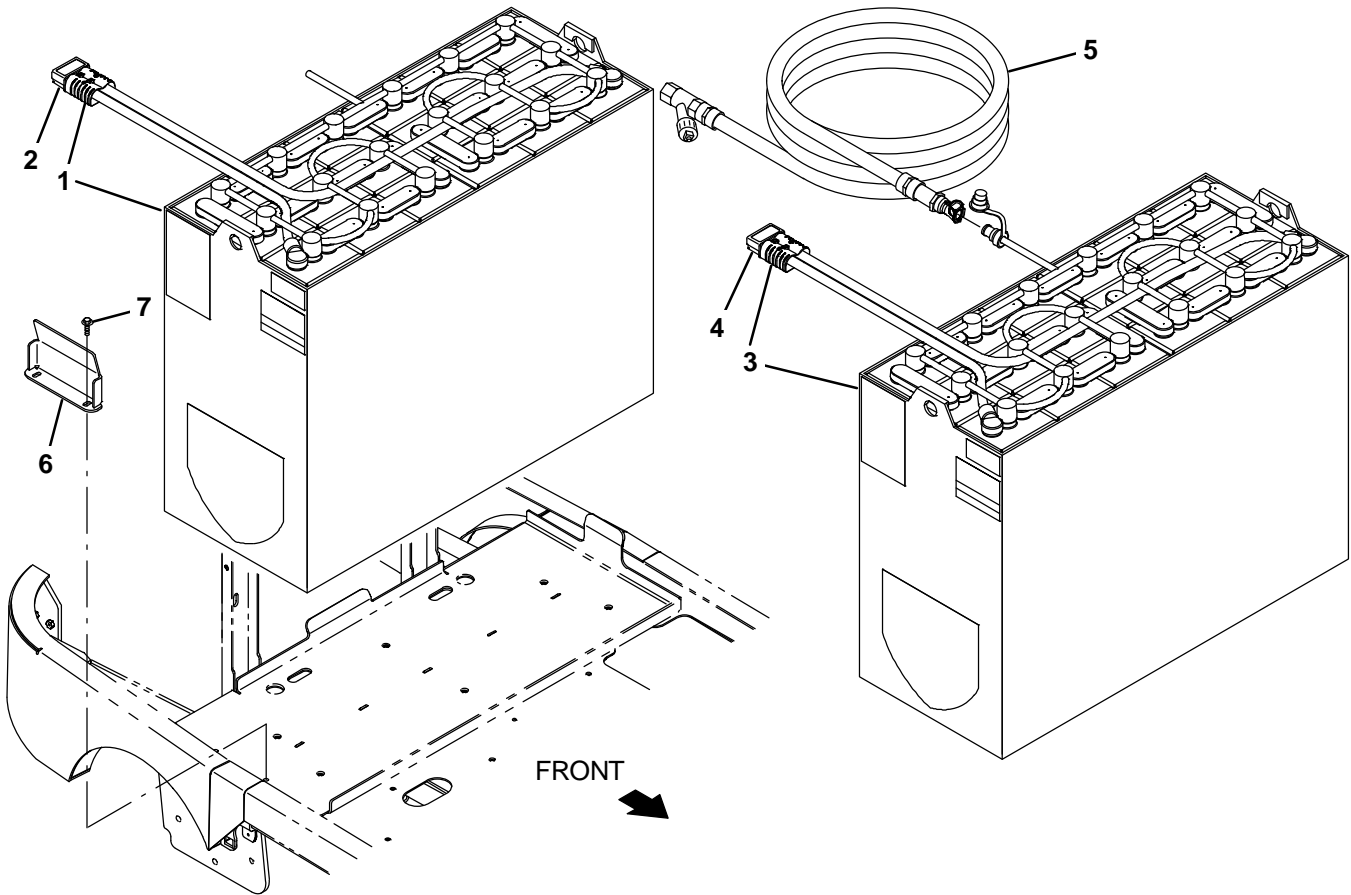


Fig. 43 – Battery and Charger Group, 750AH / 775AH

	Ref.	Part No.	Serial Number	Description	Qty.
▽	1	1244405	(000000–) Battery, Wet, 36Vdc, 750Ah	1
▲	2	01726	(000000–) Connector, 350a, Gray	1
▽	1	1248313	(000000–) Battery, Wet, 36Vdc, 755Ah (China Only)	1
▲	2	01726	(000000–) Connector, 350a, Gray	1
▽	3	1244413	(000000–) Battery, Wet, 36vdc, 750ah [W/Watering]	1
▲	4	01726	(000000–) Connector, 350a, Gray	1
	5	1213281	(000000–) Kit, Hose, Watering, Battery, 20ft	1
	6	1206951	(000000–) Bracket, Front, Battery	1
	7	1037354	(000000–) Screw, Hex, M8 X 1.25 X 30, 9.8 Sems	2
▽	8	1212158	(000000–) Charger, 36vdc/100a, 200–240vac 3ph	1
▲	9	01726	(000000–) Connector, 350a, Gray	1
▽	8	1207936	(000000–) Charger, 36vdc/120a, 480vac 3ph	1
▲	9	01726	(000000–) Connector, 350a, Gray	1
▽	8	1207935	(000000–) Charger, 36vdc/120a, 380–415vac 3ph (International Only)	1
▲	9	01726	(000000–) Connector, 350a, Gray	1
▽	10	9020652	(000000–) Charger Kit, 36vdc/80a, 200–240vac 1ph (International Only)	1
▲	11	01726	(000000–) Connector, 350a, Gray	1
▽	12	1228060	(000000–) Charger, 36Vdc/a60A, 600Vac, 3Ph	1
▲	13	01726	(000000–) Connector, 350a, Gray	1

Fig. 44 – Battery and Charger Group, 930AH

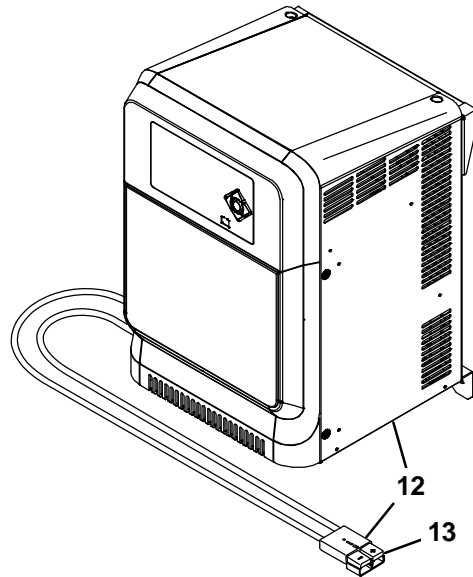
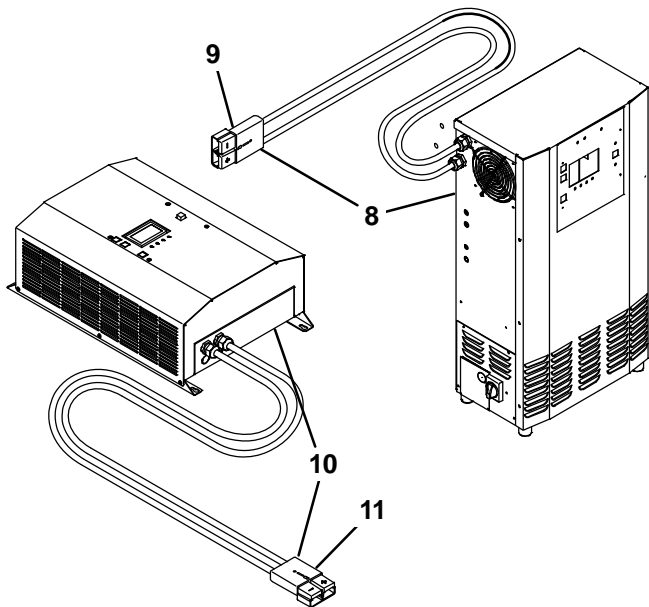
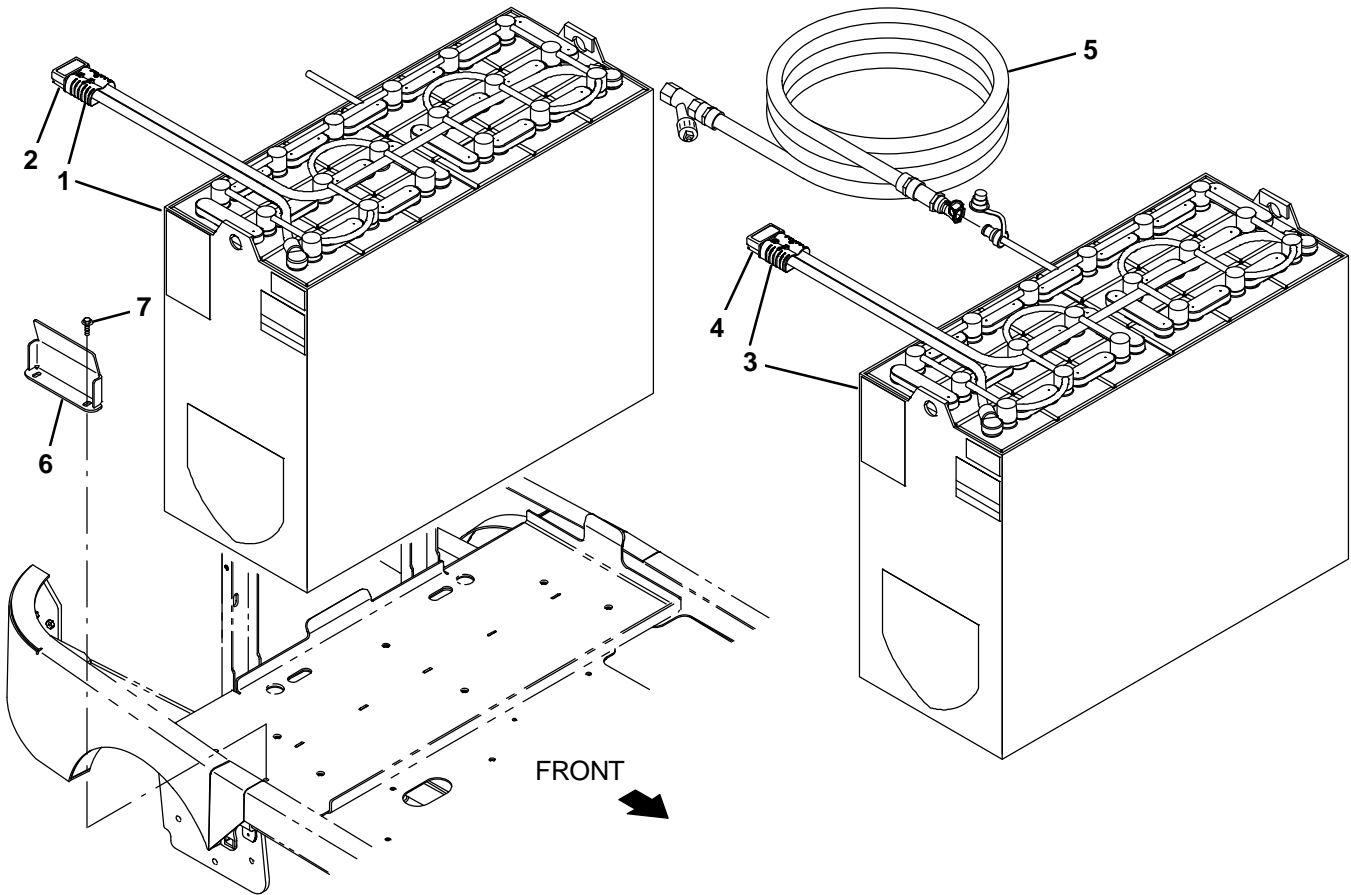


Fig. 44 – Battery and Charger Group, 930AH

	Ref.	Part No.	Serial Number	Description	Qty.
▽	1	1210313	(000000–) Battery, Wet, 36Vdc, 930Ah	1
▲	2	01726	(000000–) Connector, 350a, Gray	1
▽	3	1210316	(000000–) Battery, Wet, 36vdc, 930ah [W/Watering]	1
▲	4	01726	(000000–) Connector, 350a, Gray	1
	5	1213281	(000000–) Kit, Hose, Watering, Battery, 20ft	1
	6	1206951	(000000–) Bracket, Front, Battery	1
	7	1037354	(000000–) Screw, Hex, M8 X 1.25 X 30, 9.8 Sems	2
▽	8	1212158	(000000–) Charger, 36vdc/100a, 200–240vac 3ph	1
▲	9	01726	(000000–) Connector, 350a, Gray	1
▽	8	1207936	(000000–) Charger, 36vdc/120a, 480vac 3ph	1
▲	9	01726	(000000–) Connector, 350a, Gray	1
▽	8	1207935	(000000–) Charger, 36vdc/120a, 380–415vac 3ph (International Only)	1
▲	9	01726	(000000–) Connector, 350a, Gray	1
▽	10	9020652	(000000–) Charger Kit, 36vdc/80a, 200–240vac 1ph (International Only)	1
▲	11	01726	(000000–) Connector, 350a, Gray	1
▽	12	1228060	(000000–) Charger, 36Vdc/a60A, 600Vac, 3Ph	1
▲	13	01726	(000000–) Connector, 350a, Gray	1

Fig. 45 – Battery and Charger Group, 930AH, Opportunity Charging

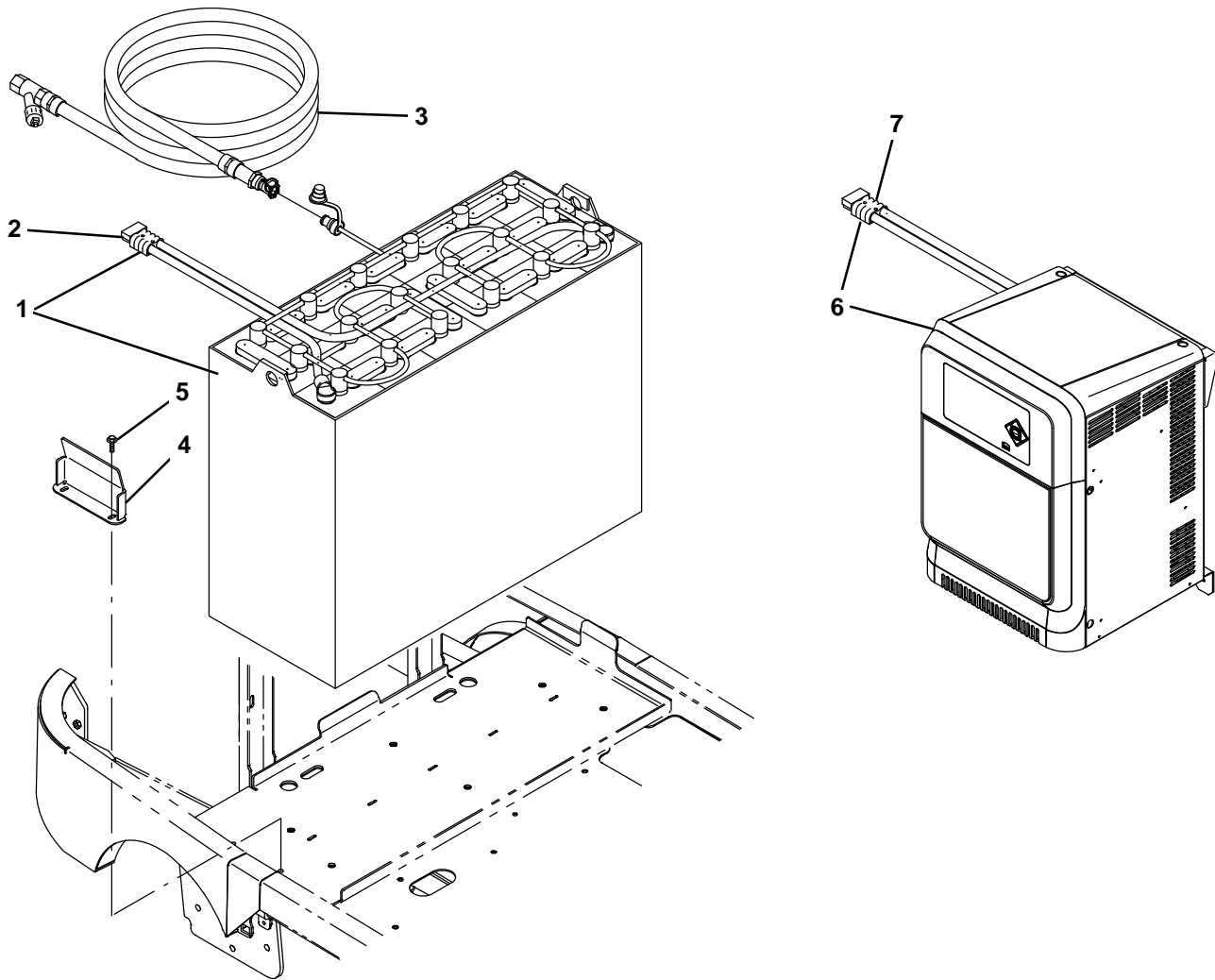


Fig. 45 – Battery and Charger Group, 930AH, Opportunity Charging

	Ref.	Part No.	Serial Number	Description	Qty.
▽	1	1225538	(000000–) Battery, Wet, 36Vdc, 930Ah [Spw/Wi–lq]	1
▲	2	01726	(000000–) Connector, 350a, Gray	1
	3	1213281	(000000–) Kit, Hose, Watering, Battery, 20ft	1
	4	1206951	(000000–) Bracket, Front, Battery	1
	5	1037354	(000000–) Screw, Hex, M8 X 1.25 X 30, 9.8 Sems	2
▽	6	1219396	(000000–) Charger, 36 Vdc/240A, 480Vac [Opportunity]	1
▲	7	01726	(000000–) Connector, 350a, Gray	1
▽	6	1225535	(000000–) Charger, 36 Vdc 195A 400Vac [Opportunity] – (China Only)	1
▲	7	01726	(000000–) Connector, 350a, Gray	1

Fig. 46 – Battery Group Lithium-Ion, 36V, 18.4Kwh

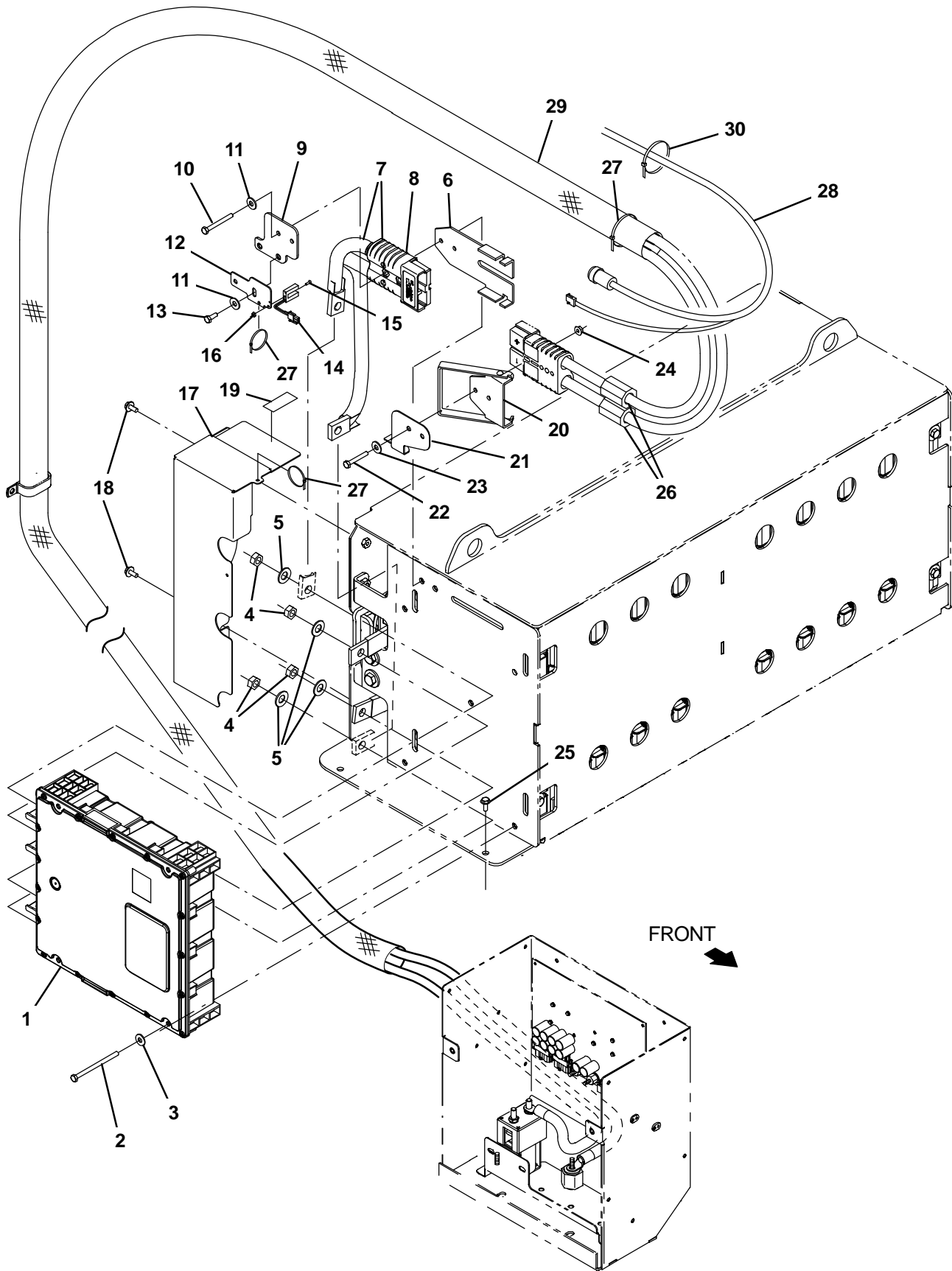


Fig. 46 – Battery Group Lithium-Ion, 36V, 18.4Kwh

Ref.	Part No.	Serial Number	Description	Qty.
▽	9019654*	(000000-) Battery Kit, Li-Ion, 36v, 18.4kwh [UI]	1
▲	1 1240228*	(000000-) Controller, Battery, Li-Ion, 36vdc [Bms]	1
▲	2 06952*	(000000-) Screw, Hex, M6 X 1.00 X 90, 8.8	4
▲	3 32490*	(000000-) Washer, Flat, 0.25, Std	4
▲	4 07788*	(000000-) Nut, Hex, Std, M12 X 1.75, Ss	4
▲	5 1246706*	(000000-) Washer, Belleville, 0.505b 1.00d 0.091h, Ss	4
▲	6 1238011*	(000000-) Bracket, Mtg, Base, Battery, Disconnect	1
▲▽	7 1242409*	(000000-) Cable Assy, Battery 4/0ga [T17, M17]	1
▲▲	8 22892*	(000000-) Connector, Anderson, 175a, Gray	1
▲	9 1243816*	(000000-) Bracket, Connector, Anderson	1
▲	10 58979*	(000000-) Screw, Hex, M6 X 1.00 X 55, Fl, Ss	2
▲	11 32490*	(000000-) Washer, Flat, 0.25, Std	4
▲	12 1243817*	(000000-) Bracket, Switch, Anderson	1
▲	13 11329*	(000000-) Screw, Hex, M6 X 1.00 X 16, NI, Ss	2
▲	14 1247115*	(000000-) Switch [Proximity, Reed, W/Molex]	1
▲	15 1243843*	(000000-) Screw, Flt, Phi, 04-40, Cs, Brass	1
▲	16 01711*	(000000-) Nut, Hex, Std, #04-40, 2	1
▲	17 1242382*	(000000-) Cover, Bms, 36v	1
▲	18 1034731*	(000000-) Screw, Hex, M6 X 1.00 X 16, Sems, Ss	2
▲	19 1247763*	(000000-) Label [Anti-Tamper]	10
	20 1238009	(000000-) Bracket, Mtg, Battery, Disconnect	1
	21 1243574	(000000-) Plate, Connector, Anderson, Switch	1
	22 33930	(000000-) Screw, Hex, M6 X 1.00 X 40, Ss	2
	23 32490	(000000-) Washer, Flat, 0.25, Std	2
	24 07790	(000000-) Nut, Hex, Flng, M6 X 1.00	2
	25 1037355	(000000-) Screw, Hex, M8 X 1.25 X 35, 9.8, Sems	4
	26 1052123	(000000-) Inductor, 18mmid [225 Imp At 25mhz]	2
	27 763115	(000000-) Tie, Cable, 6.0l, 1.25d Max	3
	28 1238981	(000000-) Harness, Cntrl, Battery [M17, T17]	1
	29 1247200	(000000-) Sleeve, Nyl, 1.35id 25.0l [Asb19]	1
	30 763114	(000000-) Tie, Cable, 11.3l, 2.75d Max	10

* Requires Tennant *True* service or an authorized Tennant service provider.

Fig. 47 – Battery Group Lithium-Ion, 36V, 38.8Kwh

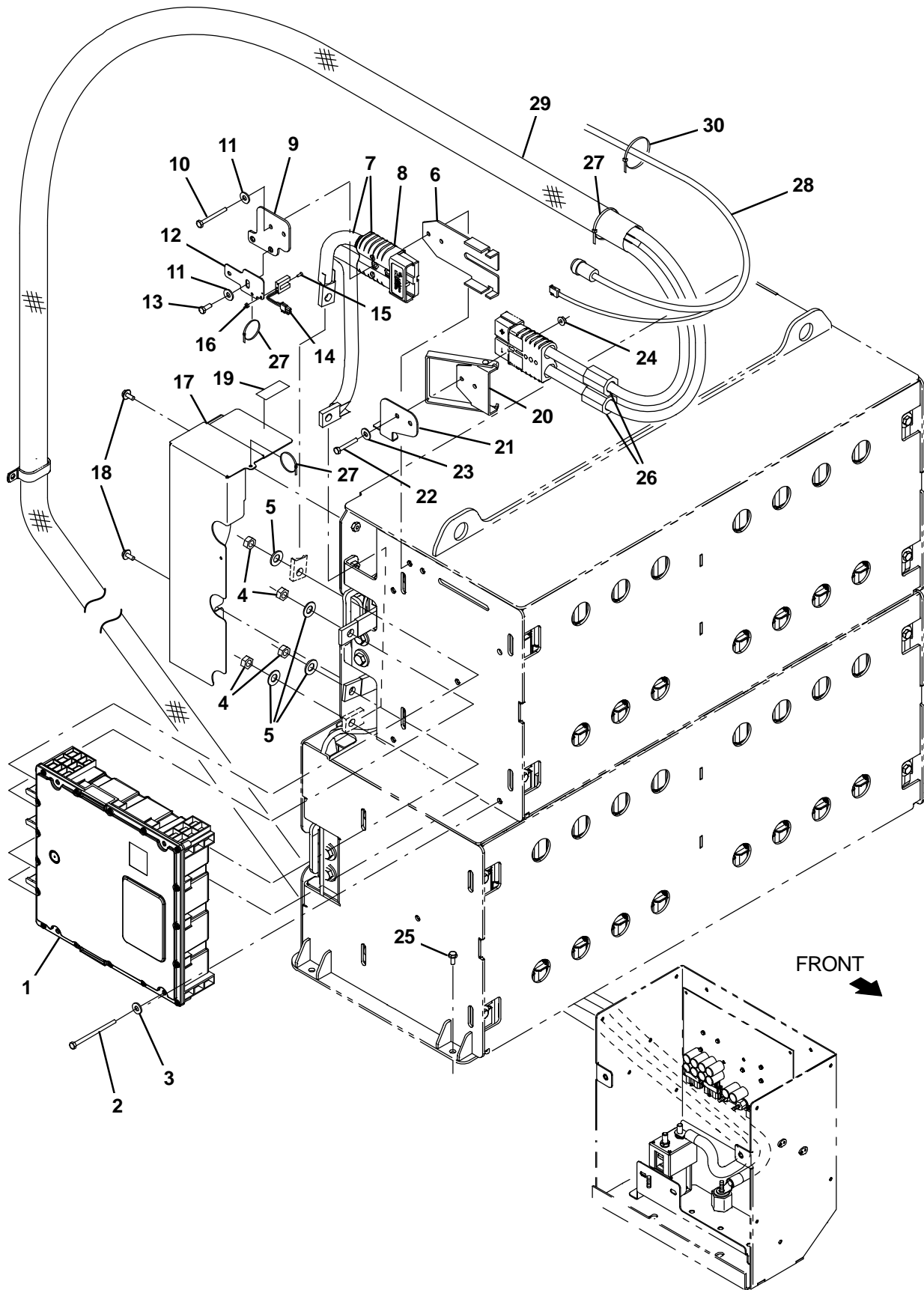
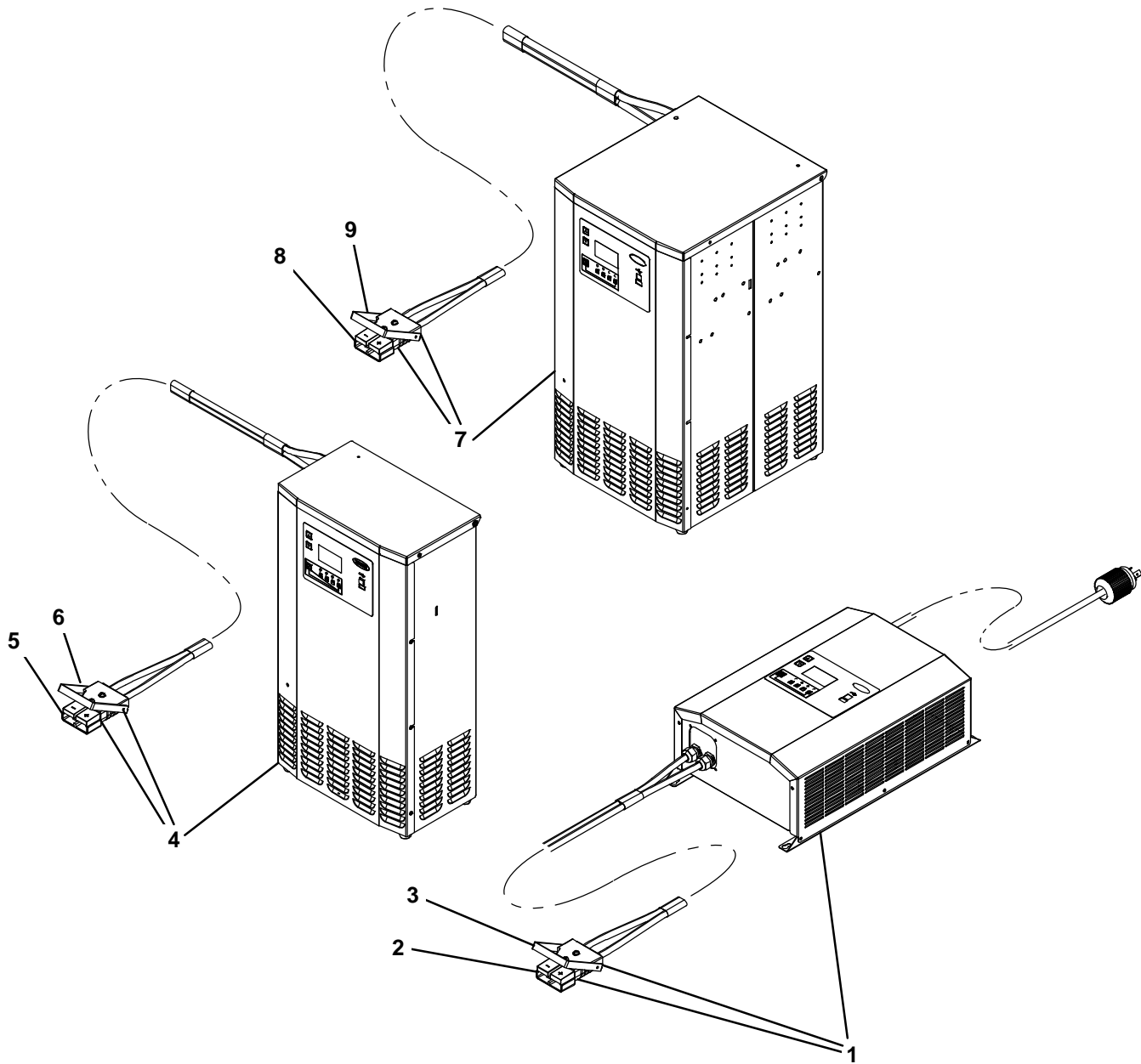


Fig. 47 – Battery Group Lithium-Ion, 36V, 38.8Kwh

Ref.	Part No.	Serial Number	Description	Qty.
▽	9019655*	(000000-) Battery Kit, Li-Ion, 36v, 38.8kwh [UI]	1
▲	1 1240228*	(000000-) Controller, Battery, Li-Ion, 36vdc [Bms]	1
▲	2 06952*	(000000-) Screw, Hex, M6 X 1.00 X 90, 8.8	4
▲	3 32490*	(000000-) Washer, Flat, 0.25, Std	4
▲	4 07788*	(000000-) Nut, Hex, Std, M12 X 1.75, Ss	4
▲	5 1246706*	(000000-) Washer, Belleville, 0.505b 1.00d 0.091h, Ss	4
▲	6 1238011*	(000000-) Bracket, Mtg, Base, Battery, Disconnect	1
▲▽	7 1242409*	(000000-) Cable Assy, Battery 4/0ga [T17, M17]	1
▲▲	8 22892*	(000000-) Connector, Anderson, 175a, Gray	1
▲	9 1243816*	(000000-) Bracket, Connector, Anderson	1
▲	10 58979*	(000000-) Screw, Hex, M6 X 1.00 X 55, Fl, Ss	2
▲	11 32490*	(000000-) Washer, Flat, 0.25, Std	4
▲	12 1243817*	(000000-) Bracket, Switch, Anderson	1
▲	13 11329*	(000000-) Screw, Hex, M6 X 1.00 X 16, NI, Ss	2
▲	14 1247115*	(000000-) Switch [Proximity, Reed, W/Molex]	1
▲	15 1243843*	(000000-) Screw, Flt, Phi, 04-40, Cs, Brass	1
▲	16 01711*	(000000-) Nut, Hex, Std, #04-40, 2	1
▲	17 1242382*	(000000-) Cover, Bms, 36v	1
▲	18 1034731*	(000000-) Screw, Hex, M6 X 1.00 X 16, Sems, Ss	2
▲	19 1247763*	(000000-) Label [Anti-Tamper]	10
	20 1238009	(000000-) Bracket, Mtg, Battery, Disconnect	1
	21 1243574	(000000-) Plate, Connector, Anderson, Switch	1
	22 33930	(000000-) Screw, Hex, M6 X 1.00 X 40, Ss	2
	23 32490	(000000-) Washer, Flat, 0.25, Std	2
	24 07790	(000000-) Nut, Hex, Flng, M6 X 1.00	2
	25 1037355	(000000-) Screw, Hex, M8 X 1.25 X 35, 9.8, Sems	4
	26 1052123	(000000-) Inductor, 18mmid [225 Imp At 25mhz]	2
	27 763115	(000000-) Tie, Cable, 6.0l, 1.25d Max	3
	28 1238981	(000000-) Harness, Cntrl, Battery [M17, T17]	1
	29 1247200	(000000-) Sleeve, Nyl, 1.35id 25.0l [Asb19]	1
	30 763114	(000000-) Tie, Cable, 11.3l, 2.75d Max	10

* Requires Tennant *True* service or an authorized Tennant service provider.

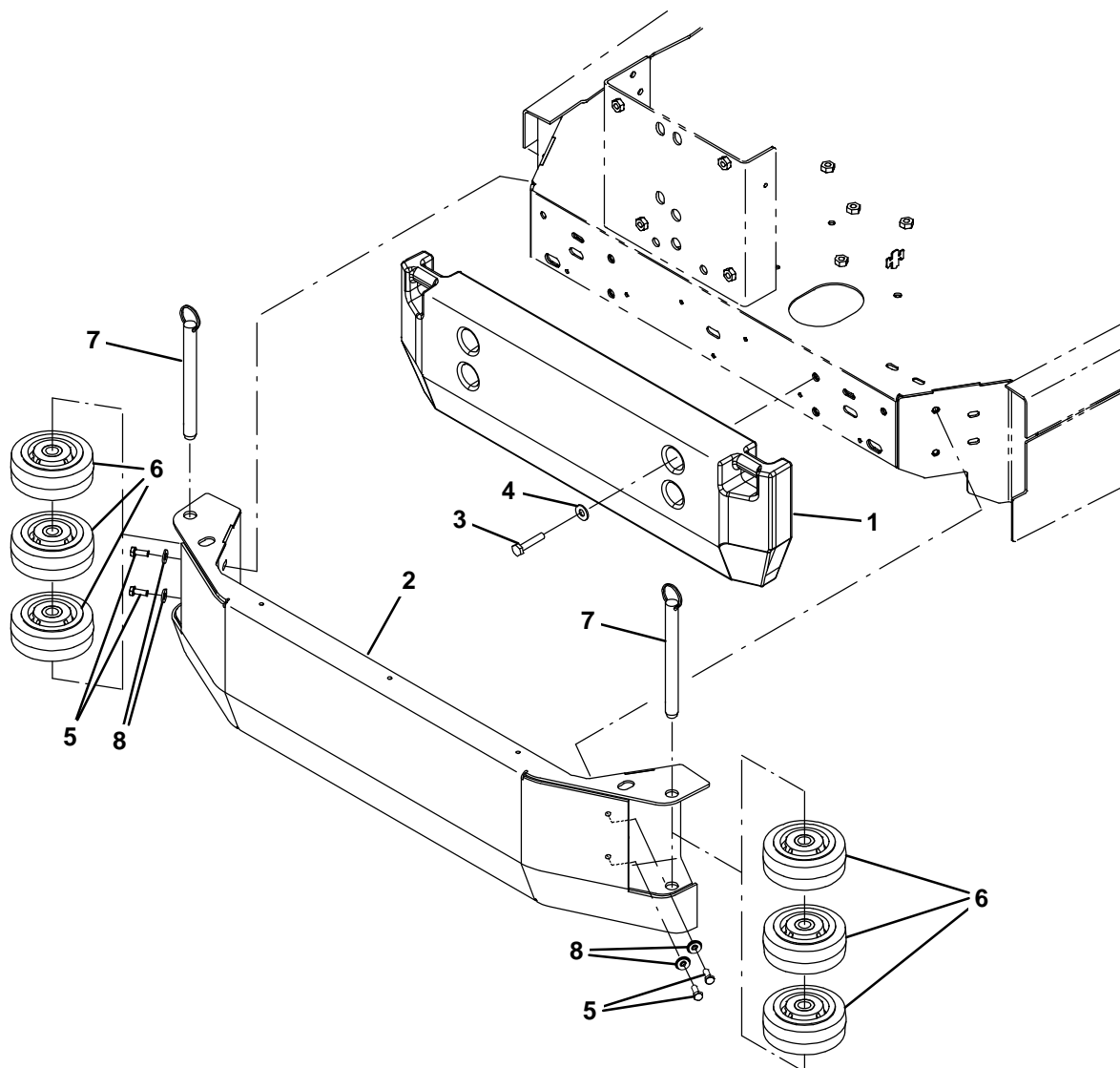
Fig. 48 – Battery Charger Group, Lithium-Ion



356964

Ref.	Part No.	Serial Number	Description	Qty.
▽	1	1242858	(000000–) Charger, 36Vdc 80A 200–240Vac 1Ph	1
▲	2	01726	(000000–) Connector, 350a, Gray	1
▲	3	1238009	(000000–) Bracket, Mtg, Battery, Disconnect	1
▽	4	1242859	(000000–) Charger, 36Vdc 80A 200–240Vac 3Ph	1
▲	5	01726	(000000–) Connector, 350a, Gray	1
▲	6	1238009	(000000–) Bracket, Mtg, Battery, Disconnect	1
▽	4	1242860	(000000–) Charger, 36Vdc 100A 480vac 3Ph	1
▲	5	01726	(000000–) Connector, 350a, Gray	1
▲	6	1238009	(000000–) Bracket, Mtg, Battery, Disconnect	1
▽	7	1243128	(000000–) Charger, 36Vdc 215A 480Vac 3Ph	1
▲	8	01726	(000000–) Connector, 350a, Gray	1
▲	9	1238009	(000000–) Bracket, Mtg, Battery, Disconnect	1

Fig. 49 – Ramp Climb Counter Weight Group



356512

Ref.	Part No.	Serial Number	Description	Qty.
1	1213680	(000000–) Weight, Counter, Casting, 250Lb, Painted	1
2	1212747	(000000–) Channel Wldt, Bumper, Ballast	1
3	16930	(000000–) Screw, Hex, M10 X 1.50 X 50, 8.8	4
4	32492	(000000–) Washer, Flat, 0.38, Std	4
5	09010	(000000–) Screw, Hex, M8 X 1.25 X 25, Ss	4
6	1052962	(000000–) Wheel, 05.0d 2.00w 0.75b, Gray, W/ Bshg	6
7	1206367	(000000–) Pin, Hitch, .750d X 7.00l, PI	2
8	1017218	(000000–) Washer, flat, 0.32B 1.00D .12, Ss	4

Fig. 50 – Fuel Cell Group (013000-)

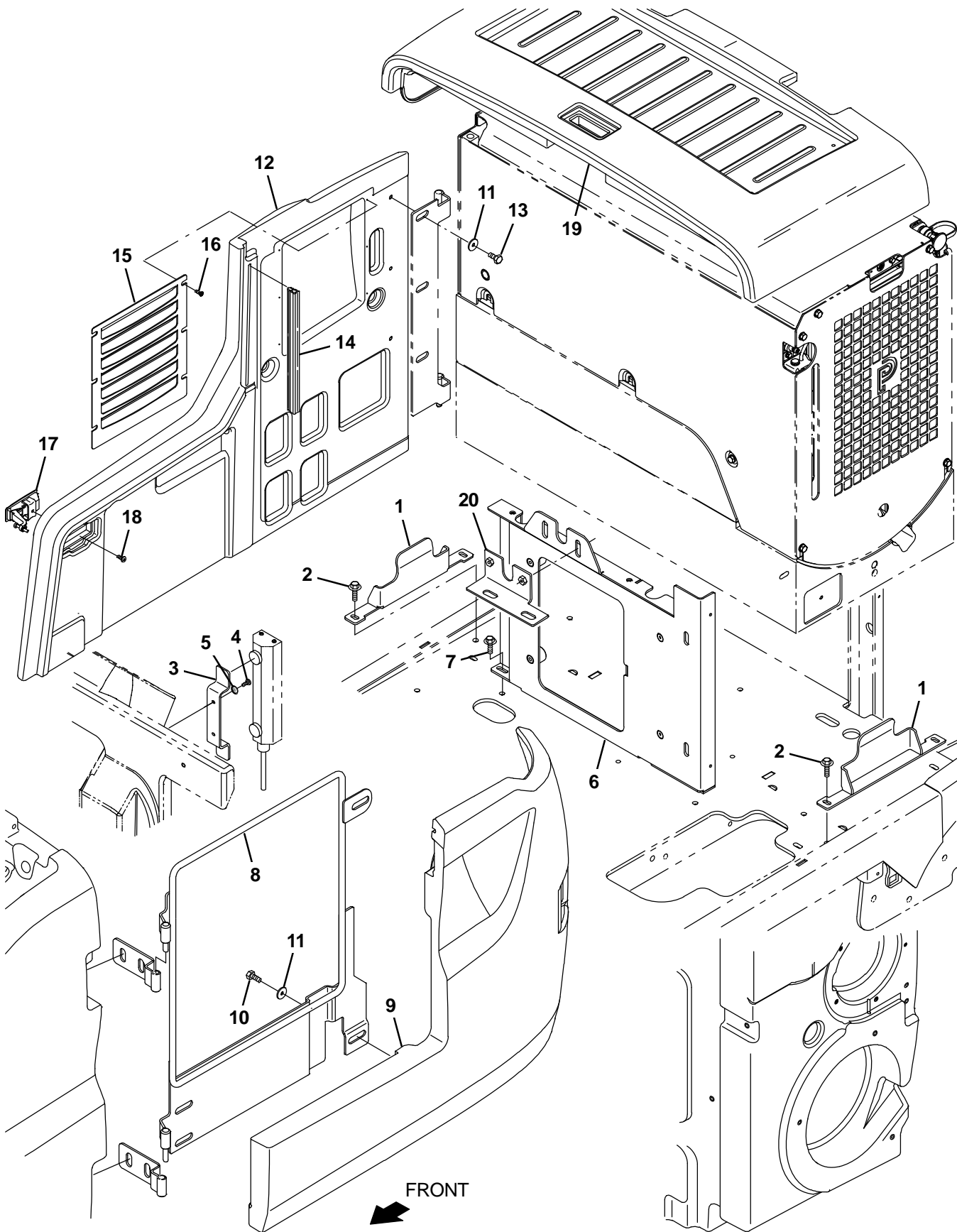


Fig. 50 - Fuel Cell Group (013000-)

Ref.	Part No.	Serial Number	Description	Qty.
1	1240010	(013000-) Bracket, Cell, Fuel	2
2	1037354	(013000-) Screw, Hex, M8 X 1.25 X 30, 9.8, Sems	4
3	1238895	(013000-) Bracket, Controller [Pendant]	1
4	382320	(013000-) Screw, Pan, Phl, 12-16 X 0.50, F/ Plstc	2
5	1069322	(013000-) Washer, Flat, 0.25, Sae, Blk	2
6	1238731	(013000-) Bracket Wldt, Sppt, Seat	1
7	1037346	(013000-) Screw, Hex, M8 X 1.25 X 25, 9.8, Sems	2
8	1238878	(013000-) Door, Frame	1
9	9018849	(013000-) Cover, Side, Lh, Fuel Cell, Afmkt [T/M17]	1
10	12273	(013000-) Screw, Hex, M8 X 1.25 X 20, NI, Ss	4
11	1017218	(013000-) Washer, Flat, 0.32b 1.00d .12, Ss	4
12	9018848	(013000-) Cover, Side, Rh, Fuel Cell, Afmkt [T/M17]	1
13	49826	(013000-) Screw, Hex, M8 X 1.25 X 16, NI, Ss	3
14	1011882	(013000-) Seal, Bulb, Str, Snap-In, Epdm, Bulk	1
15	1238175	(013000-) Panel, Louvered, Rh	1
16	360973	(013000-) Screw, Pan, Phl, 12-16 X 0.50, F/ Plstc	6
17	398806	(013000-) Latch	1
18	06934	(013000-) Screw, Pan, Phl, M5 X 0.80 X 20, 4.8	1
19	9018980	(013000-) Cover, Battery, Fuel Cell, Afmkt [T/M17]	1
19	9018983	(013000-) Cover, Battery, Fuel Cell, Ohg [T/M17]	1
20	1238671	(013000-) Bracket Wldt, Mtg, Ohg	1

Fig. 51 - Pressure Washer Wand and Cover Group (013000-)

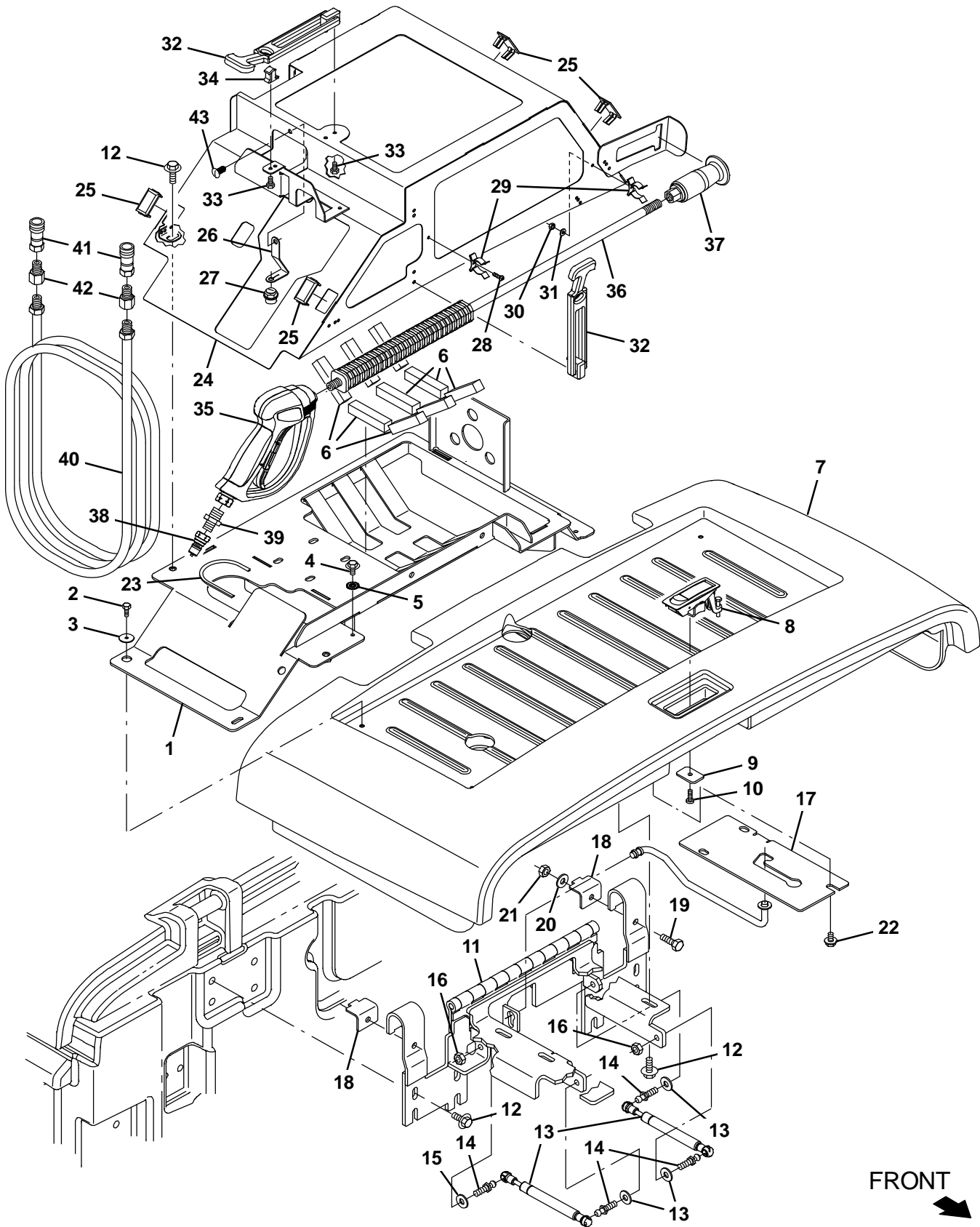


Fig. 51 - Pressure Washer Wand and Cover Group (013000-)

Ref.	Part No.	Serial Number	Description	Qty.	
1	9018850	(013000-) Brkt Kit, Press Wash, Afmkt [T/M17]	1	
2	12312	(013000-) Screw, Hex, M5 X 0.80 X 12, 8.8	4	
3	397779	(013000-) Washer, Flat, 0.28b 1.00d .06, Stl, Blk	1	
4	222158	(013000-) Screw, Hex, M6 X 1.00 X 10, Fmg	1	
5	41140	(013000-) Washer, Lock, Int-Ext, 0.25	1	
6	1239531	(013000-) Seal, Rbr, Clsd, 0.63, 0.63, 3.0l	1	
7	9018979	(013000-) Cover, Battery, Pw, Dv, Na [T/M17]	1	
7	9018981	(013000-) Cover, Battery, Pw, Dv, Ohg [T/M17]	1	
8	398806	(013000-) Latch	1	
9	1208748	(013000-) Plate, Latch [T17]	1	
10	06935	(013000-) Screw, Pan, Phl, M5 X 0.80 X 25, 4.8	1	
11	1225700	(013000-) Hinge Wldt, Cover, Battery	1	
12	1020341	(013000-) Screw, Hex, M8 X 1.25 X 20, Ss, Sems	12	
13	1245866	(013000-) Gasspring, 90lb, 3.15strk	2	
14	1241509	(013000-) Stud, Ball, 10mm Ball, M8x1.25	4	
15	32491	(013000-) Washer, Flat, 0.31, Std	4	
16	08713	(013000-) Nut, Hex, Lock, M8 X 1.25, NI, Ss	4	
17	1225704	(013000-) Plate, Mtg, Cover	1	
18	1207130	(013000-) Bracket, Retain, Hinge, Cover	2	
19	09010	(013000-) Screw, Hex, M8 X 1.25 X 25, Ss	2	
20	01685	(013000-) Washer, Flat, 0.38b 0.88d .08, Ss	2	
21	08713	(013000-) Nut, Hex, Lock, M8 X 1.25, NI, Ss	2	
22	1040467	(013000-) Screw, hex, M6 X 1.00 X20, 9.8, Sems	3	
23	1020168	(013000-) Molding, Afmkt, Trim, Pvc, .08 .11, 01 Ft	1	
24	9018847	(013000-) Cover Kit, Press Wash, Afmkt [T/M17]	1	
25	57772	(013000-) Plug, Hole, Rt, 1.45 X 0.83, Blk Nyl	4	
▽	9018841	(013000-) Plug Kit, Press Wash, Pump, Afmkt[T/M17]	1	
▲	26	1243644	(013000-) Strap, Plug	1
▲	27	1243645	(013000-) Plug, Oil	1
28	06927	(013000-) Screw, Pan, Phl, M4 X 0.70 X 16, 4.8	2	
29	23446	(013000-) Clip, Grip, Finger, 0.31-0.75d, Nk PI	2	
30	02850	(013000-) Nut, Hex, Lock, M4 X 0.70, NI	2	
31	41579	(013000-) Washer, Flat, 08, Ss	2	
32	1244570	(013000-) Latch, Draw	1	
33	09244	(013000-) Screw, Hex, M5 X 0.80 X 16, 8.8	3	
34	1244906	(013000-) Keeper, Latch, Draw	1	
▽	9018842	(013000-) Wand Kit, Press Wash, Afmkt [T/M17]	1	
▲	35	1039042	(013000-) Handle, Gun, Trigger	1
▲	36	1039044	(013000-) Wand, Str, Ss, 28l	1
▲	37	1238513	(013000-) Nozzle, Press Washer	1
▲	38	1042191	(013000-) Fitting, Ss, Qdc, Mal	1
▲	39	1044428	(013000-) Fitting, Brs, Str, Pm04/Pm06 [Hp]	1
▽	9018844	(013000-) Hose Kit, Press Wash, Afmkt [T/M17]	1	
▲	40	1039056	(013000-) Hose, Rbr, 25ft	1
▲	41	1042051	(013000-) Fitting, Ss, Qdc, Fem	2
▲	42	1042772	(013000-) Fitting, Brs, Str, Pf06/Pm04	2
43	21168	(013000-) Plug, Hole, Rnd, 0.25h 0.8l, Brb, Nyl	1	

Fig. 52 – Pressure Washer Solution Supply Group (013000–)

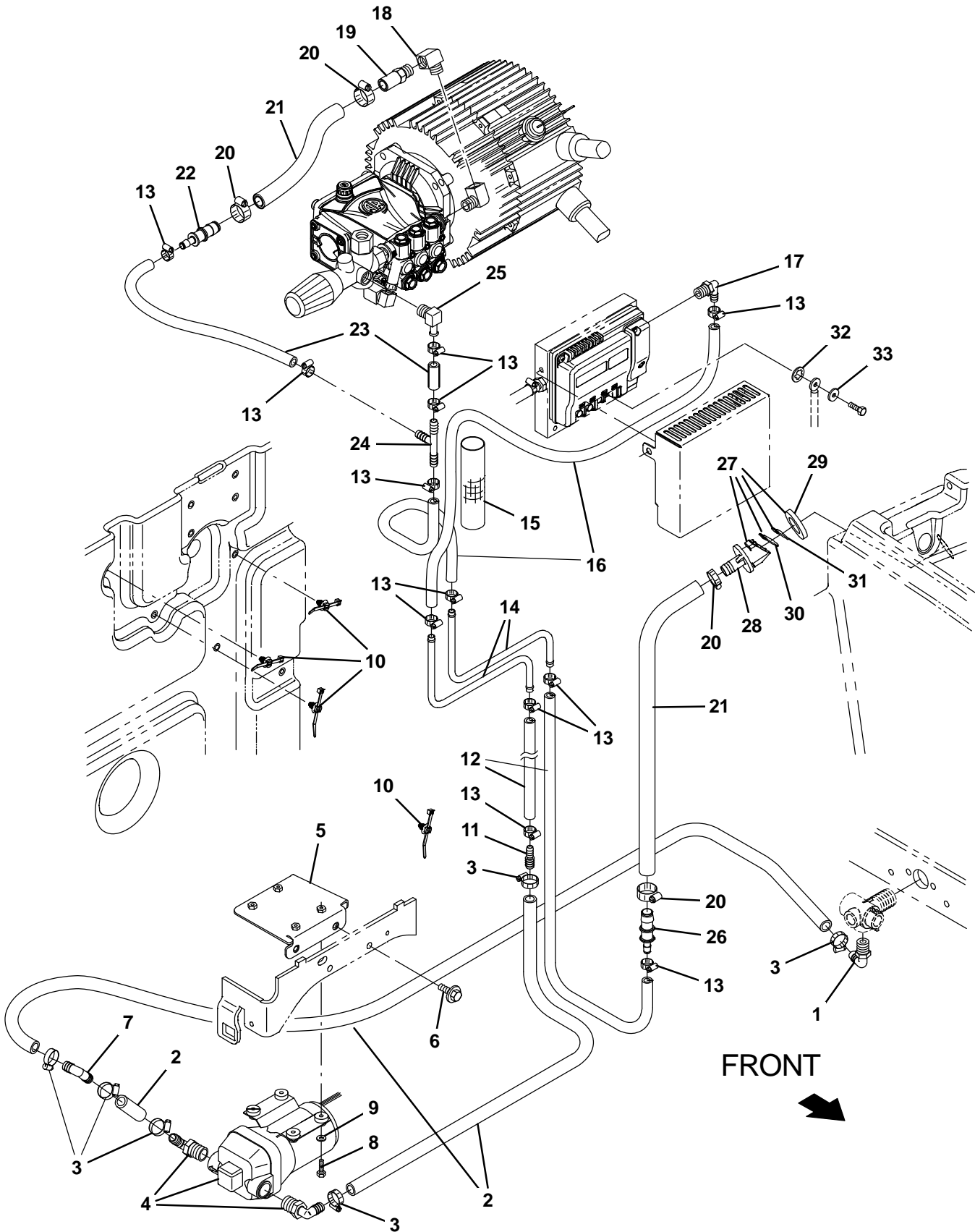


Fig. 52 - Pressure Washer Solution Supply Group (013000-)

Ref.	Part No.	Serial Number	Description	Qty.
1	64778	(013000-) Fitting, Plstc, E90, Bm08/Pm06	1
2	1011412	(013000-) Hose, Afmkt, Pvc, Brd, 0.50id, 08ft, Clr	1
3	54333	(013000-) Clamp, Hose, Wormdrive, 0.31-0.88d, .31w	6
4	1250867	(013000-) Pump, Soltn, Ele, 36vdc, 45psi	1
5	1244427	(013000-) Plate Wldt, Pump	1
6	1037346	(013000-) Screw, Hex, M8 X 1.25 X 25, 9.8, Sems	2
7	63987-1	(013000-) Fitting, Plstc, E90, Bm08/Bm08	1
8	12316	(013000-) Screw, Hex, M5 X 0.80 X 25, Ss	4
9	01683	(013000-) Washer, Flat, 10, Ss	4
10	1210807	(013000-) Wire, Tie [W/.25" Fir Tree Clip]	4
11	222375	(013000-) Fitting, Plstc, Str, Bm06/Bm08	1
12	1014976	(013000-) Hose, Afmkt, Pvc, Brd, 0.38id, 12ft, Clr	1
13	43844	(013000-) Clamp, Hose, Wormdrive, 0.25-0.62d, .31w	13
14	1240293	(013000-) Tube, Water, Pressure Washer	2
15	87677	(013000-) Sleeve, Nyl, 1.22id 20.0l	1
16	1014976	(013000-) Hose, Afmkt, Pvc, Brd, 0.38id, 08ft, Clr	1
17	150412	(013000-) Fitting, Plstc, E90, Bm06/Pm06	1
18	24584	(013000-) Fitting, Brs, E90, Pf06/Pm06, Spcl	2
19	1242000	(013000-) Valve, Pop-Off, 3500 Psi	1
20	63810	(013000-) Clamp, Hose, Wormdrive, 0.56-1.06d, .56w	4
21	1015026	(013000-) Hose, Afmkt, Pvc, Brd, 0.62id, 03ft, Clr	1
22	1243167	(013000-) Fitting, Plstc, Str, Bm06/Bm10	1
23	1014974	(013000-) Hose, Afmkt, Pvc, Brd, 0.38id, 02ft, Clr	1
24	87173	(013000-) Fitting, Plstc, Tee, Bm06/Bm06/Bm06	1
25	1060128	(013000-) Fitting, Brs, E90, Bm06/Pmo6, Short	1
26	1243167	(013000-) Fitting, Brs, Str, Bm06/Pf08	1
▽	27	9014338	(013000-) Valve Kit, Check, Es [T17]	1
▲	28	78840	(013000-) Valve, Check, Pump, Water	1
▲	29	73342	(013000-) Gasket, .25 1.88d 1.0id [Poron]	1
▲	30	78841	(013000-) Flapper, Valve, Pump, Water	1
▲	31	1217187	(013000-) Flap, Restrictor, Check Valve	1
	32	07515	(013000-) Washer, Lock, Int, 0.25, Ss	4
	33	32483	(013000-) Washer, Flat, 0.25, Sae	4

Fig. 53 – Pressure Washer Motor and Pump Group (013000-)

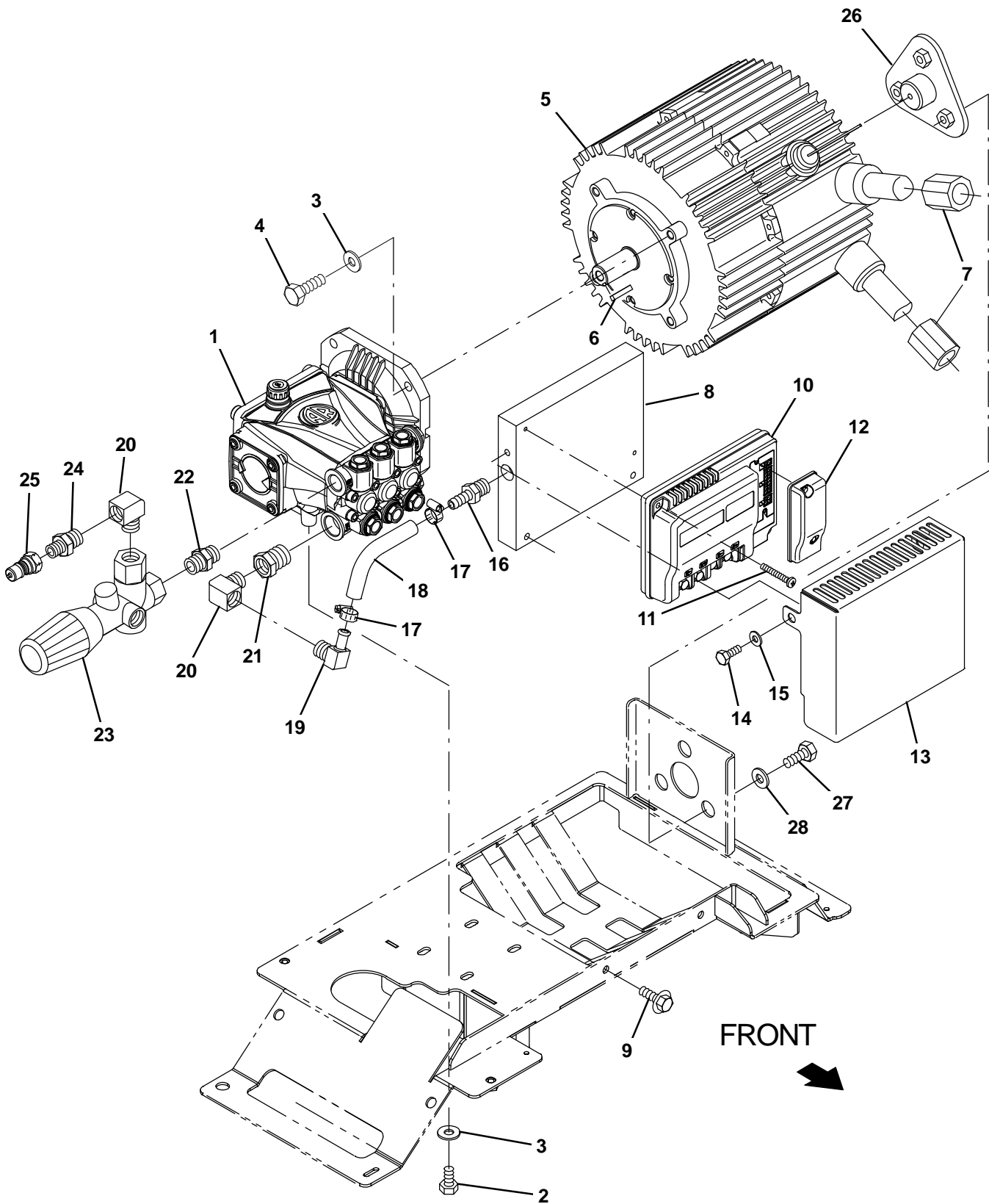
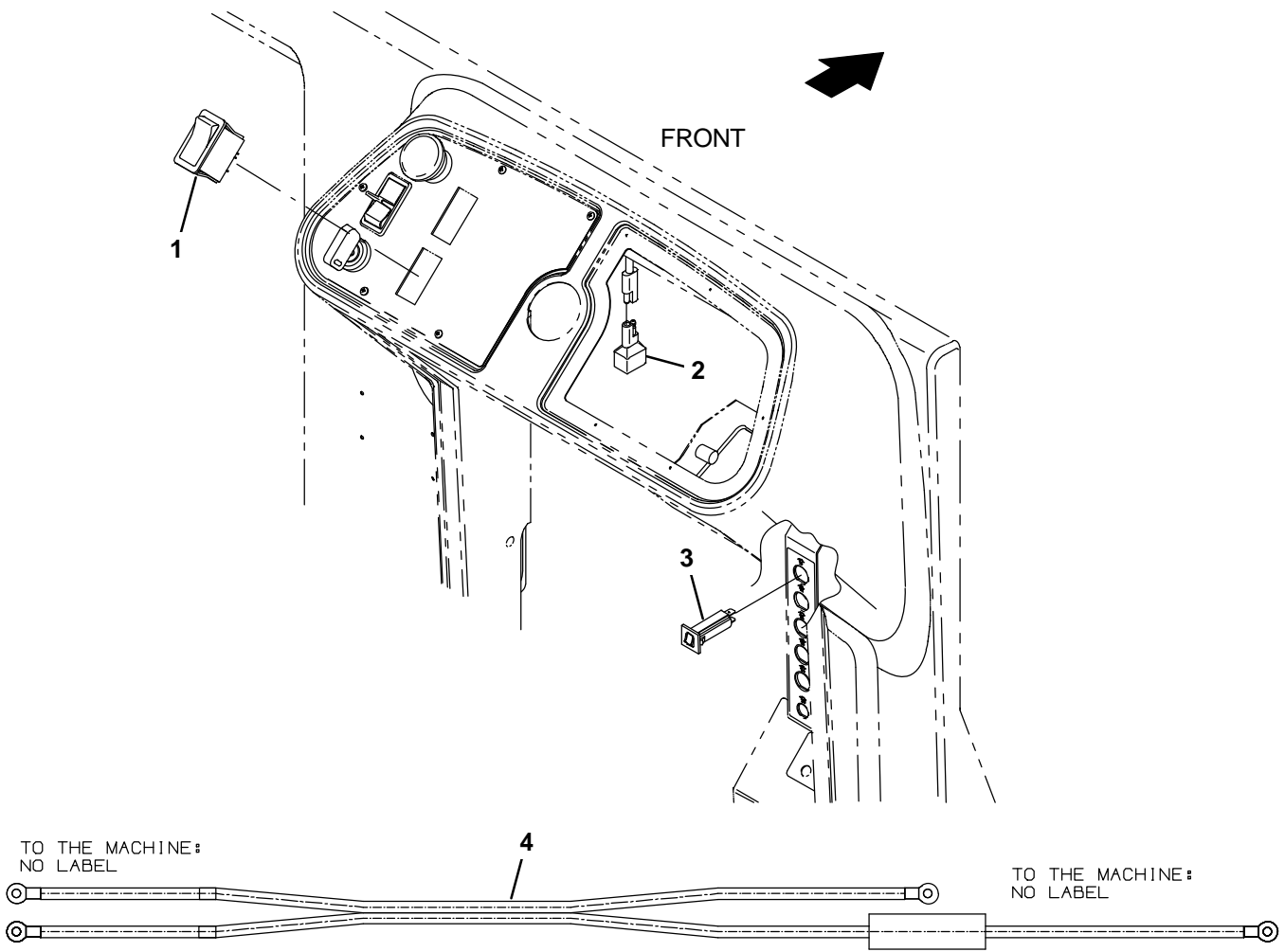


Fig. 53 - Pressure Washer Motor and Pump Group (013000-)

Ref.	Part No.	Serial Number	Description	Qty.
1	1236318	(013000-) Pump, Pressure Washer	1
2	16735	(013000-) Screw, Hex, M8 X 1.25 X 16, 8.8	4
3	32491	(013000-) Washer, Flat, 0.31, Std	8
4	21198	(013000-) Screw, Hex, .38-16 X 1.25, G5	4
5	1239141	(013000-) Motor, Ele, 24-72vdc 3400rpm 6.71hp	1
6	00912	(013000-) Key, Sq, 0.19 X 0.19, 1.00l	1
7	1052126	(013000-) Inductor, 12.7mmid [156 Imp At 25mhz]	2
8	1241608	(013000-) Block, Cooling, Press Wash	1
9	1020341	(013000-) Screw, Hex, M8 X 1.25 X 20, Ss, Sems	2
10	1238746	(013000-) Controller, Propel [36vdc,200a, I-Drive]	1
11	06938	(013000-) Screw, Pan, Phl, M5 X 0.80 X 40, 4.8	2
12	1241005	(013000-) Cover Assy, I-Drive	1
13	1239673	(013000-) Cover, Wash, Press [I-Drive]	1
14	06942	(013000-) Screw, Hex, M6 X 1.00 X 16, 8.8	2
15	32483	(013000-) Washer, Flat, 0.25, Sae	2
16	150538	(013000-) Fitting, Plstc, Str, Bm06/Pm06	1
17	43844	(013000-) Clamp, Hose, Wormdrive, 0.25-0.62d, .31w	10
18	1014971	(013000-) Hose, Afmkt, Pvc, Brd, 0.38ld, 01ft, Clr	1
19	1060128	(013000-) Fitting, Brs, E90, Bm06/Pmo6, Short	1
20	24584	(013000-) Fitting, Brs, E90, Pf06/Pm06, Spcl	2
21	47167	(013000-) Fitting, Brs, Str, Pf06/Pm08	1
22	1224331	(013000-) Fitting, Brs, Str, Pm06/Pm06	1
23	1239018	(013000-) Valve, Needle, [M17/T17]	1
24	1044428	(013000-) Fitting, Brs, Str, Pm04/Pm06 [Hp]	1
25	1042191	(013000-) Fitting, Ss, Qdc, Mal	1
26	1247646	(013000-) Bracket Wldt, Sppt, Motor	1
27	09028	(013000-) Screw, Hex, M10 X 1.50 X 25, Ss	3
28	36996	(013000-) Washer, Flat, 0.41B 1.50D .19, Stl, PI	3

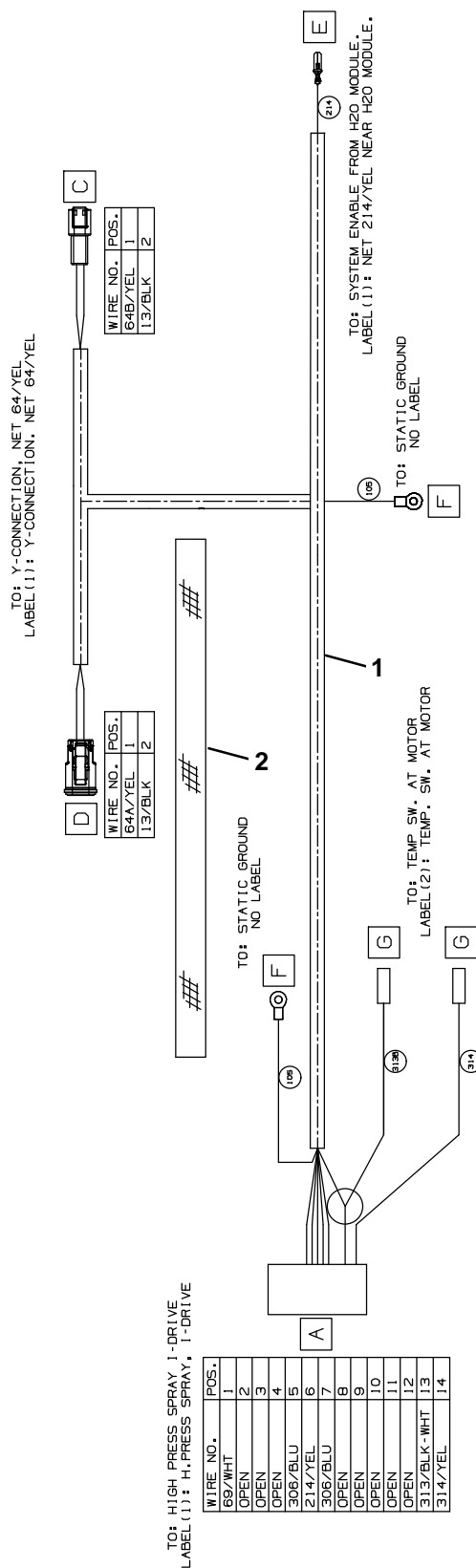
Fig. 54 – Pressure Washer Electrical Group (013000-)



356874 – T17

Ref.	Part No.	Serial Number	Description	Qty.
1	398500	(013000-)	Switch, Rocker, Dpdt, On / None / On	1
2	1056982	(013000-)	Diode, Ele, Plug	1
3	1064188	(013000-)	Circuitbreaker, 15.0a, Resetable	1
▽	4	1076436	Cable Assy, 04ga, Fuse [Press Wash, M17]	1
▲	1248572	(011000-)	Fuse, 100A, 58Vdc	1

Fig. 55 – Pressure Washer Electrical Wire Harness Group (013000–)



356875 – T17

Ref.	Part No.	Serial Number	Description	Qty.
1	1076449	(013000–)	Harness, Ele [Pressure Washer, M17/T17]	1
2	87677	(013000–)	Sleeve, Nyl, 1.22id 20.0l	1

Fig. 56 – Dry Vacuum Wand Group (014000-)

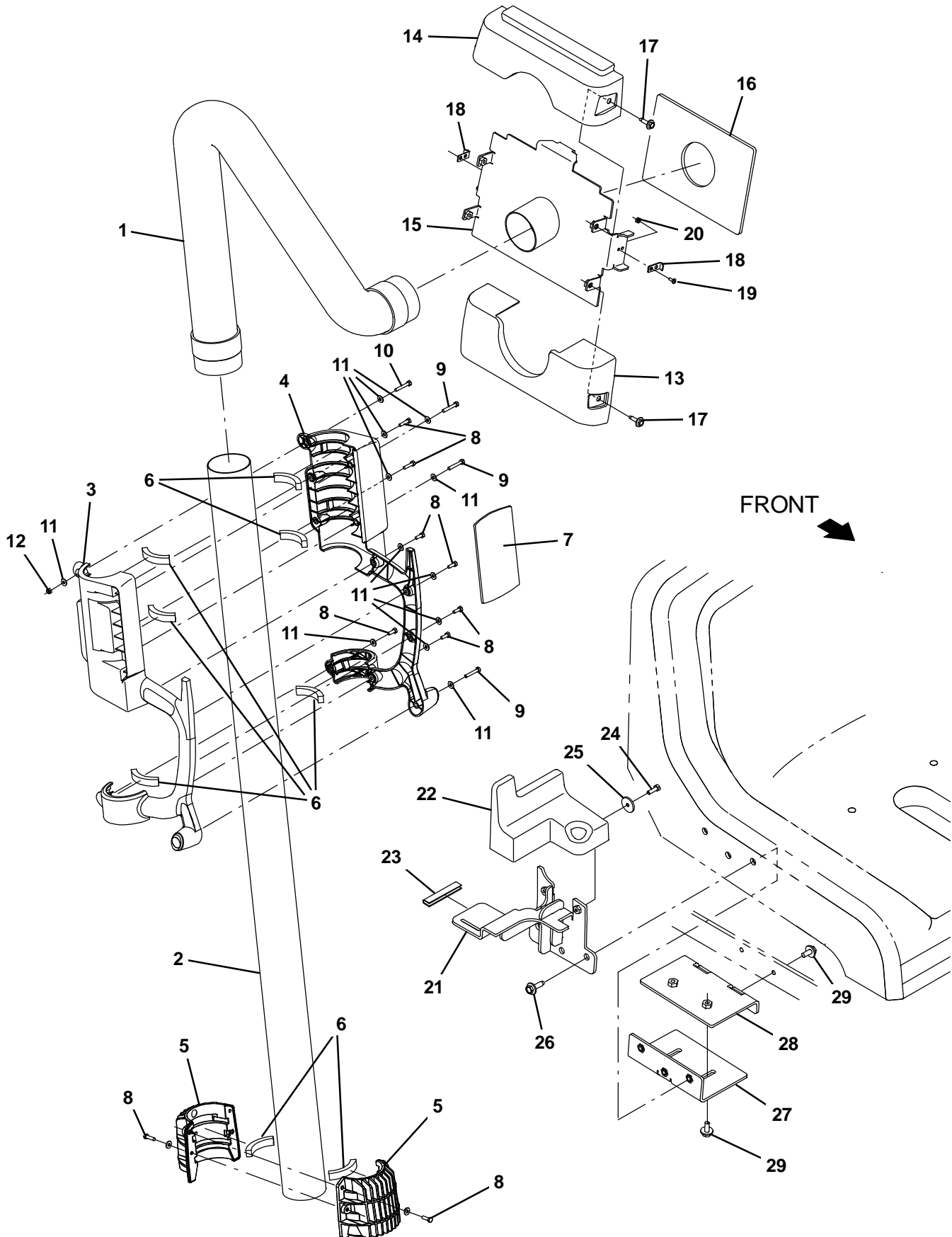


Fig. 56 – Dry Vacuum Wand Group (014000–)

Ref.	Part No.	Serial Number	Description	Qty.
▽	9020698	(014000–)	Wand Assy Kit, Vacuum, hose	1
▲	1 1219065	(014000–)	Hose, Vacuum, 3.00id X 132l, 2 Cuff	1
▲▽	1250357	(014000–)	Wand Assy, Vacuum Dry	1
▲▲	2 1243787	(014000–)	Tube, 3.0d, 2.9b, 56.3l	1
▲▲	3 1243710	(014000–)	Handle, Wand, Dry Vac, Rh	1
▲▲	4 1243711	(014000–)	Handle, Wand, Dry Vac, Lh	1
▲▲	5 1244571	(014000–)	Nozzle, Wand, Inlet	2
▲▲	6 1247624	(014000–)	Seal, Epdm, .38, .50w 2.65l, Adh	8
▲▲	7 1248099	(014000–)	Pad, Rest	1
▲▲	8 1247164	(014000–)	Screw, Hex, M5 X 0.80 X 16, NI, Ss	11
▲▲	9 1247165	(014000–)	Screw, Hex, M5 X 0.80 X 30, NI, Ss	3
▲▲	10 09252	(014000–)	Screw, Hex, M5 X 0.80 X 20, 8.8	1
▲▲	11 01683	(014000–)	Washer, Flat, 10, Ss	16
▲▲	12 09739	(014000–)	Nut, Hex, Lock, M5 X 0.80, NI, Ss	1
	13 1225192	(014000–)	Cover, Inlet, Wand, Vac (M17,Trimmed)	1
	14 1225566	(014000–)	Cover, Inlet, Wand, Vac [M17,Trimmed]	1
	15 1222526	(014000–)	Tube Wldt, Wand, Vacuum	1
	16 1225479	(014000–)	Gasket, Hose	1
	17 1036892	(014000–)	Screw, Hex, M6 X 1.00 X 25, 9.8, Sems	2
	18 1226647	(014000–)	Bracket, Mtg, Latch, Keeper	2
	19 09206	(014000–)	Screw, Hex, M4 X 0.70 X 12, 8.8	4
	20 02850	(014000–)	Nut, Hex, Lock, M4 X 0.70, NI	4
	21 1227707	(014000–)	Bracket Wldt, Sppt, Wand, Vacuum	1
	22 1243783	(014000–)	Bracket, Sppt, Wand, Vac	1
	23 1046404	(014000–)	Molding, Afmkt, Trim, Pvc, .18 .31, 02ft	1
	24 12277	(014000–)	Screw, Hex, M6 X 1.00 X 20, NI, Ss	2
	25 386063	(014000–)	Washer, Flat, 0.25b 1.12d .12, Ss	2
	26 1037354	(014000–)	Screw, Hex, M8 X 1.25 X 30, 9.8, Sems	3
	27 1228978	(014000–)	Plate Wldt, Mtg	1
	28 1229338	(014000–)	Bracket Wldt, Adjmt	1
	29 1020341	(014000–)	Screw, Hex, M8 X 1.25 X 20, Ss, Sems	4

Fig. 57 – Dry Vacuum Rear Cover and Hinge Group (014000-)

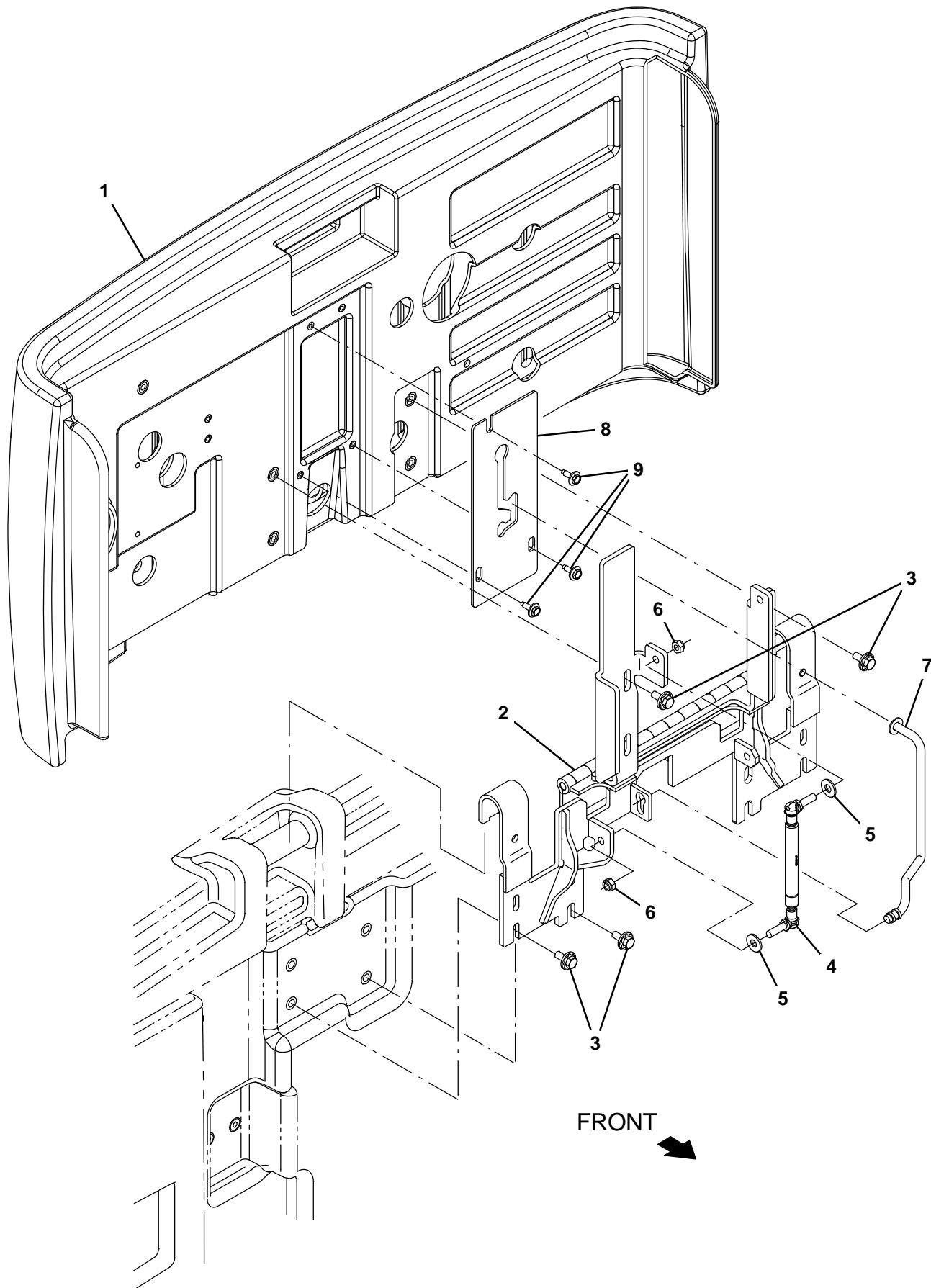


Fig. 57 – Dry Vacuum Rear Cover and Hinge Group (014000–)

Ref.	Part No.	Serial Number	Description	Qty.
1	1238324	(014000–)	Cover, Battery, Trimmed [Washer/Vac]	1
2	1225700	(014000–)	Hinge Wldt, Cover, Battery	1
3	1020341	(014000–)	Screw, Hex, M8 X 1.25 X 20, Ss, Sems	12
4	1241509	(014000–)	Stud, Ball, 10mm Ball, M8x1.25	1
5	32491	(014000–)	Washer, Flat, 0.31, Std	2
6	08713	(014000–)	Nut, Hex, Lock, M8 X 1.25, NI, Ss	2
7	1207145	(014000–)	Rod Wldt, Seat, Battery Cover [T17]	1
8	1225704	(014000–)	Plate, Mtg, Cover	1
9	1040467	(014000–)	Screw, Hex, M6 X 1.00 X 20, 9.8, Sems	3

Fig. 58 – Dry Vacuum Fan and Housing Group (014000-)

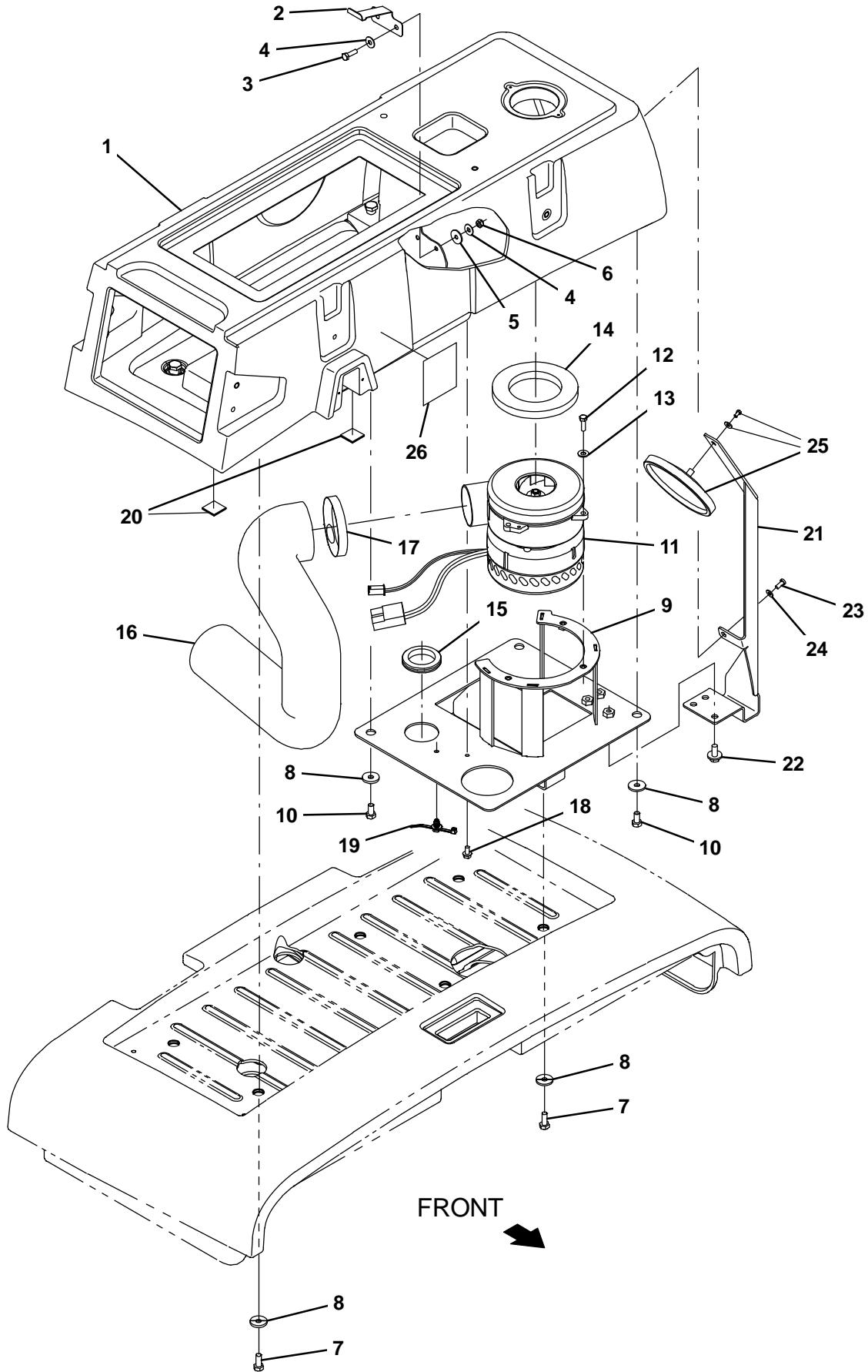


Fig. 58 – Dry Vacuum Fan and Housing Group (014000–)

Ref.	Part No.	Serial Number	Description	Qty.
1	1222504	(014000–)	Box, Wand, Vac (Trimmed)	1
2	1244957	(014000–)	Plate, Spring	1
3	08716	(014000–)	Screw, Hex, M6 X 1.00 X 20, Ss	2
4	01684	(014000–)	Washer, Flat, 0.27b 0.69d .05, Ss	4
5	78785	(014000–)	Washer, Flat, 0.25b 0.88d .06, Neo	2
6	08712	(014000–)	Nut, Hex, Lock, M6 X 1.00, NI, Ss	2
7	12273	(014000–)	Screw, Hex, M8 X 1.25 X 20, NI, Ss	6
8	1017218	(014000–)	Washer, Flat, 0.32b 1.00d .12, Ss	9
9	1224229	(014000–)	Bracket Wldt, Fan	1
10	49826	(014000–)	Screw, Hex, M8 X 1.25 X 16, NI, Ss	3
11	1218331	(014000–)	Fan, Vacuum, 5.7d, 036vdc, 1 Stage	1
12	06943	(014000–)	Screw, Hex, M6 X 1.00 X 20, 8.8	3
13	32483	(014000–)	Washer, Flat, 0.25, Sae	3
14	1225482	(014000–)	Gasket, .50, 3.94id 5.08od, Adh [Poron]	1
15	54345	(014000–)	Grommet, Rbr, 1.62id, F/1.9h, .13 Matl	1
16	1218173	(014000–)	Muffler, Vacfan, 2.50 Id X 25.0 Oal	1
17	43555	(014000–)	Clamp, Hose, Wormdrive, 2.62–3.50d	1
18	74455	(014000–)	Screw, Hex, M6 X 1.00 X 12, Fmg	1
19	1210807	(014000–)	Wire, Tie [W/.25" Fir Tree Clip]	1
20	55248	(014000–)	Mount, Cable Tie	2
21	1245600	(014000–)	Bracket, Mirror	1
22	1020341	(014000–)	Screw, Hex, M8 X 1.25 X 20, Ss, Sems	3
23	360973	(014000–)	Screw, Pan, Phl, 12–16 X 0.50, F/ Plstc	1
24	01683	(014000–)	Washer, Flat, 10, Ss	1
25	1050295	(014000–)	Mirror, Convex, 5.00 D, Rnd	1
26	1245646	(014000–)	Label, Instructional, Dry Vac	1

Fig. 59 – Dry Vacuum Debris Tray and Filter Group (014000-)

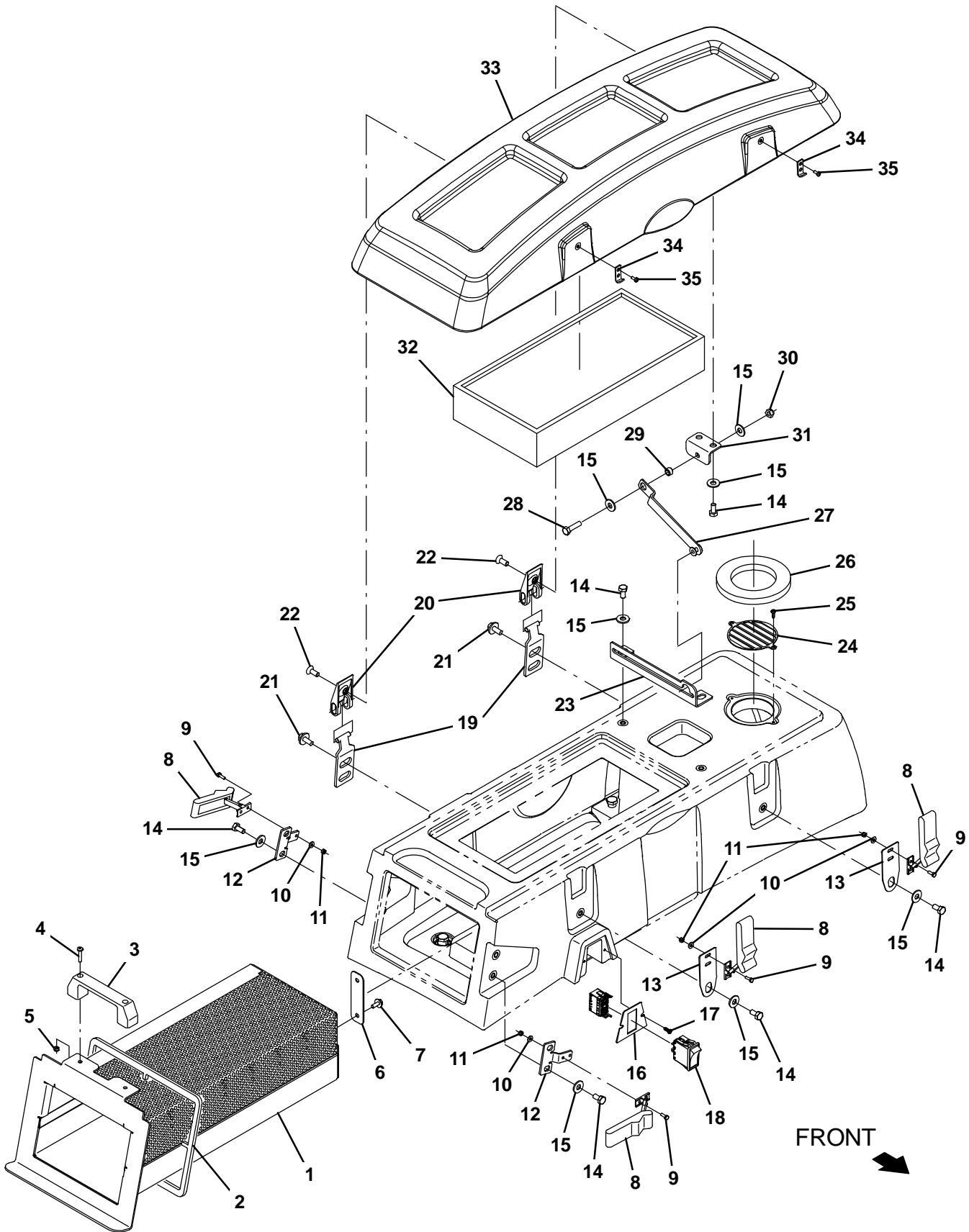


Fig. 59 – Dry Vacuum Debris Tray and Filter Group (014000–)

Ref.	Part No.	Serial Number	Description	Qty.
1	1222501	(014000–)	Tray Wldt, Wand, Debris	1
2	1219060	(014000–)	Gasket, Inlet, Vac Wand	1
3	1023920	(014000–)	Handle, Door	1
4	06935	(014000–)	Screw, Pan, Phl, M5 X 0.80 X 25, 4.8	2
5	06945	(014000–)	Screw, Hex, M6 X 1.00 X 30, 8.8	2
6	1034731	(014000–)	Screw, Hex, M6 X 1.00 X 16, Sems, Ss	1
7	1244985	(014000–)	Plate, Contact	2
8	49800	(014000–)	Latch	4
9	09206	(014000–)	Screw, Hex, M4 X 0.70 X 12, 8.8	8
10	19065	(014000–)	Washer, Flat, 0.19b 0.44d .05, Pl, 08	8
11	02850	(014000–)	Nut, Hex, Lock, M4 X 0.70, NI	8
12	1225417	(014000–)	Brkt, Mtg, Latch	2
13	1225312	(014000–)	Plate, Mtg, Latch	2
14	49826	(014000–)	Screw, Hex, M8 X 1.25 X 16, NI, Ss	10
15	01685	(014000–)	Washer, Flat, 0.38b 0.88d .08, Ss	12
16	1225331	(014000–)	Plate, Mtg, Switch	1
17	49162	(014000–)	Screw, Pan, Phl, 08–16 X 0.50, F/ Plstc	2
18	397889	(014000–)	Switch, Rocker, Dpst, On / None / On	1
19	1225182	(014000–)	Hinge Wldt, Cover	2
20	1050554	(014000–)	Hinge, Leaf [T7, 5680/5700]	2
21	1020341	(014000–)	Screw, Hex, M8 X 1.25 X 20, Ss, Sems	4
22	222463	(014000–)	Screw, Flt, Soc, M8 X 1.25 X 20, Al, Blk	2
23	1225397	(014000–)	Angle, Rtng	1
24	1225415	(014000–)	Guard, Fan	1
25	49162	(014000–)	Screw, Pan, Phl, 08–16 X 0.50, F/ Plstc	2
26	1225482	(014000–)	Gasket, .50, 3.94id 5.08od, Adh [Poron]	1
27	1224634	(014000–)	Bracket Wldt, Hinge	1
28	09011	(014000–)	Screw, Hex, M8 X 1.25 X 30, Ss	1
29	222516	(014000–)	Sleeve, P/M, 0.32b 0.50d 0.3l [430ss]	1
30	08713	(014000–)	Nut, hex, lock, m8 X 1.25, nl, Ss	1
31	1225416	(014000–)	Brkt, Lanyard	1
32	1224140	(014000–)	Filter, Wand, Vac	1
33	1225078	(014000–)	Cover, Wand, Vac (Trimmed)	1
34	1226647	(014000–)	Bracket, Mtg, Latch, Keeper	2
35	1069315	(014000–)	Screw, Pan, Phl, M4 X 0.70 X 10, Blk	2

Fig. 60 – Dry Vacuum Nozzle Holder Group (014000-)

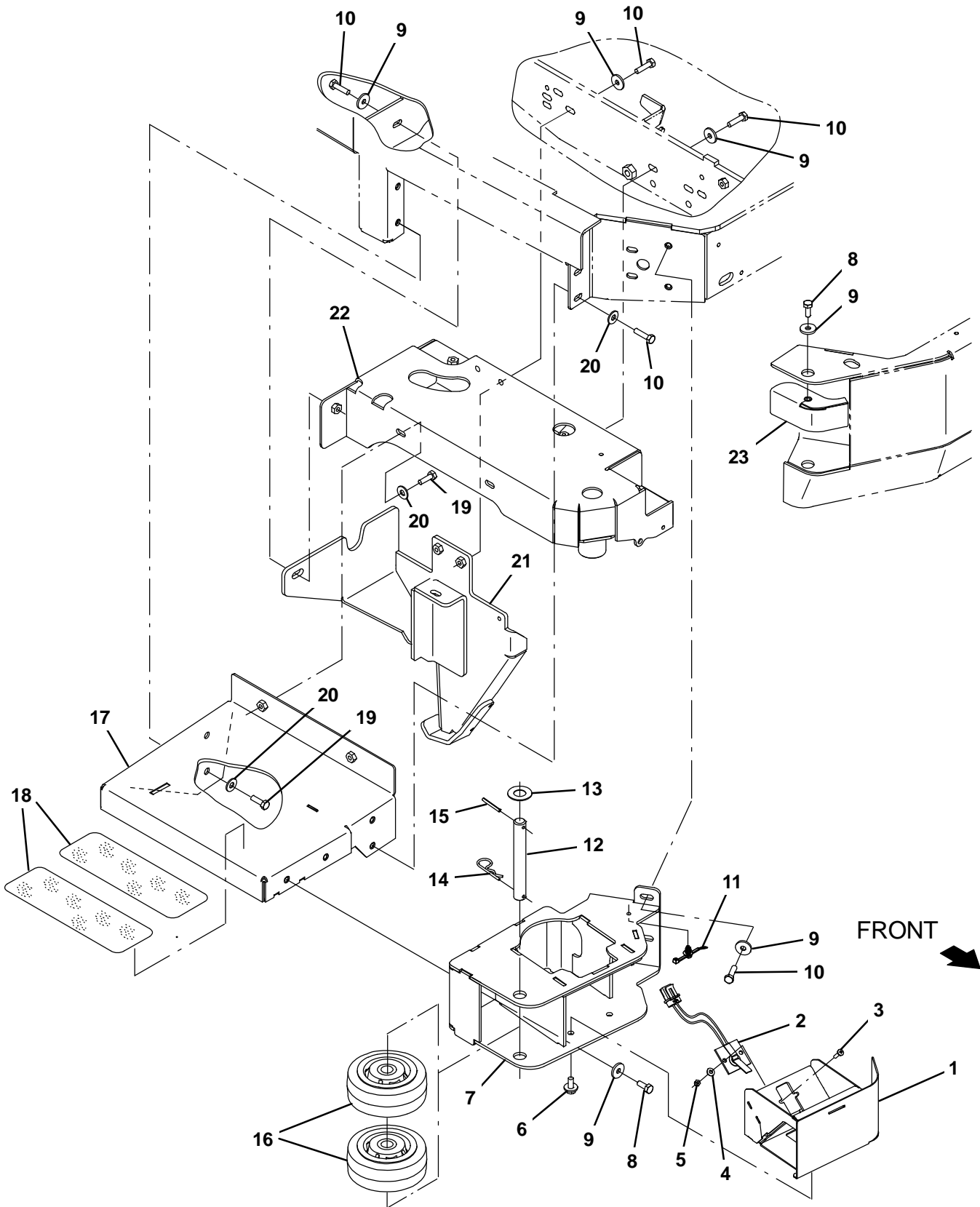


Fig. 60 – Dry Vacuum Nozzle Holder Group (014000–)

Ref.	Part No.	Serial Number	Description	Qty.
1	1249034	(014000–)	Bracket Wldt, Nozzle	1
2	1210673	(014000–)	Switch, Limit, N.C. [Cpi, Spst, 280 Mp]	1
3	24196	(014000–)	Screw, Pan, Phl, M5 X 0.80 X 20, Ss	2
4	01683	(014000–)	Washer, Flat, 10, Ss	2
5	06549	(014000–)	Nut, Hex, M5 X 0.80 X 16, 8.8	2
6	1020341	(014000–)	Screw, Hex, M8 X 1.25 X 20, Ss, Sems	4
7	1249017	(014000–)	Bracket Wldt, Roller	1
8	12273	(014000–)	Screw, Hex, M8 X 1.25 X 20, Ni, Ss	3
9	1017218	(014000–)	Washer, Flat, 0.32b 1.00d .12, Ss	10
10	09011	(014000–)	Screw, Hex, M8 X 1.25 X 30, Ss	9
11	1210807	(014000–)	Wire, Tie [W/.25" Fir Tree Clip]	1
12	1221283	(014000–)	Pin, .75d X 5.88l	1
13	49145	(014000–)	Washer, Flat, 0.76b 1.50d .06, Ss	1
14	02942	(014000–)	Pin, Hair, Cotter, 0.62d .120 Wir	1
15	23146	(014000–)	Pin, Roll, .187d X 1.62l, .187/.192	1
16	1052962	(014000–)	Wheel, 05.0d 2.00w 0.75b, Gray, W/ Bshg	2
17	1249038	(014000–)	Bracket Wldt, Step, Sba	1
18	1212248	(014000–)	Tread, Non-Skid-Step, 3.75w 8.5l, Sba	2
19	09010	(014000–)	Screw, Hex, M8 X 1.25 X 25, Ss	4
20	01685	(014000–)	Washer, Flat, 0.38b 0.88d .08, Ss	6
21	1225419	(014000–)	Bracket Wldt, Skid, Anti-Roll	1
22	1222170	(014000–)	Cover Wldt, Sba	1
23	1249205	(014000–)	Plate Wldt, Cover	1

Fig. 61 – Dry Vacuum Wire Harness Group (014000-)

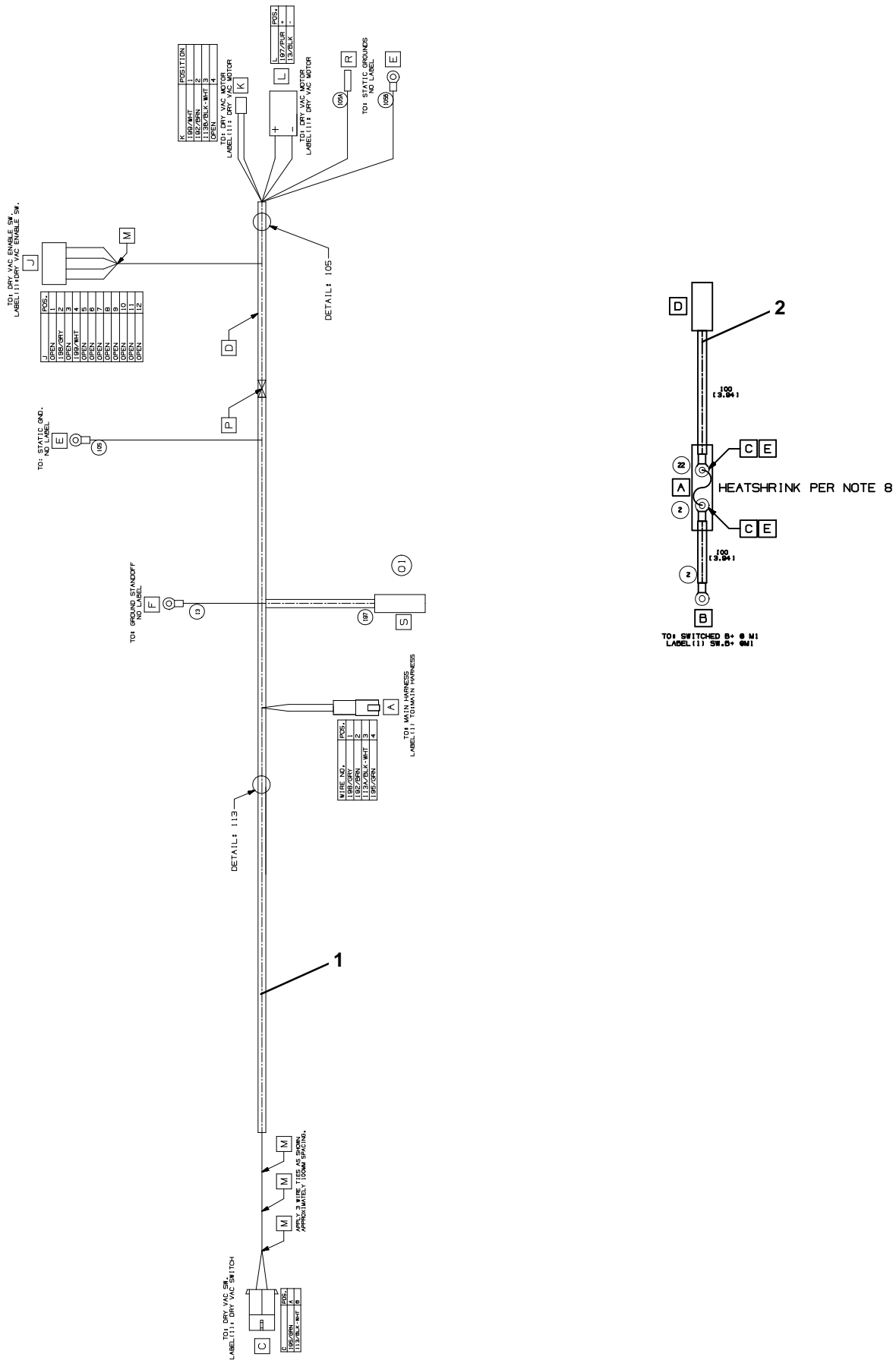


Fig. 61 – Dry Vacuum Wire Harness Group (014000–)

Ref.	Part No.	Serial Number	Description	Qty.
1	1076532	(014000–)	Harness, Ele [Dry Vac, M17/T17]	1
2	1076746	(014000–)	Harness, Ele, Fuse [Dry Vac, M17/T17]	1

Fig. 62 – Battery Quick Disconnect Group (013000-)

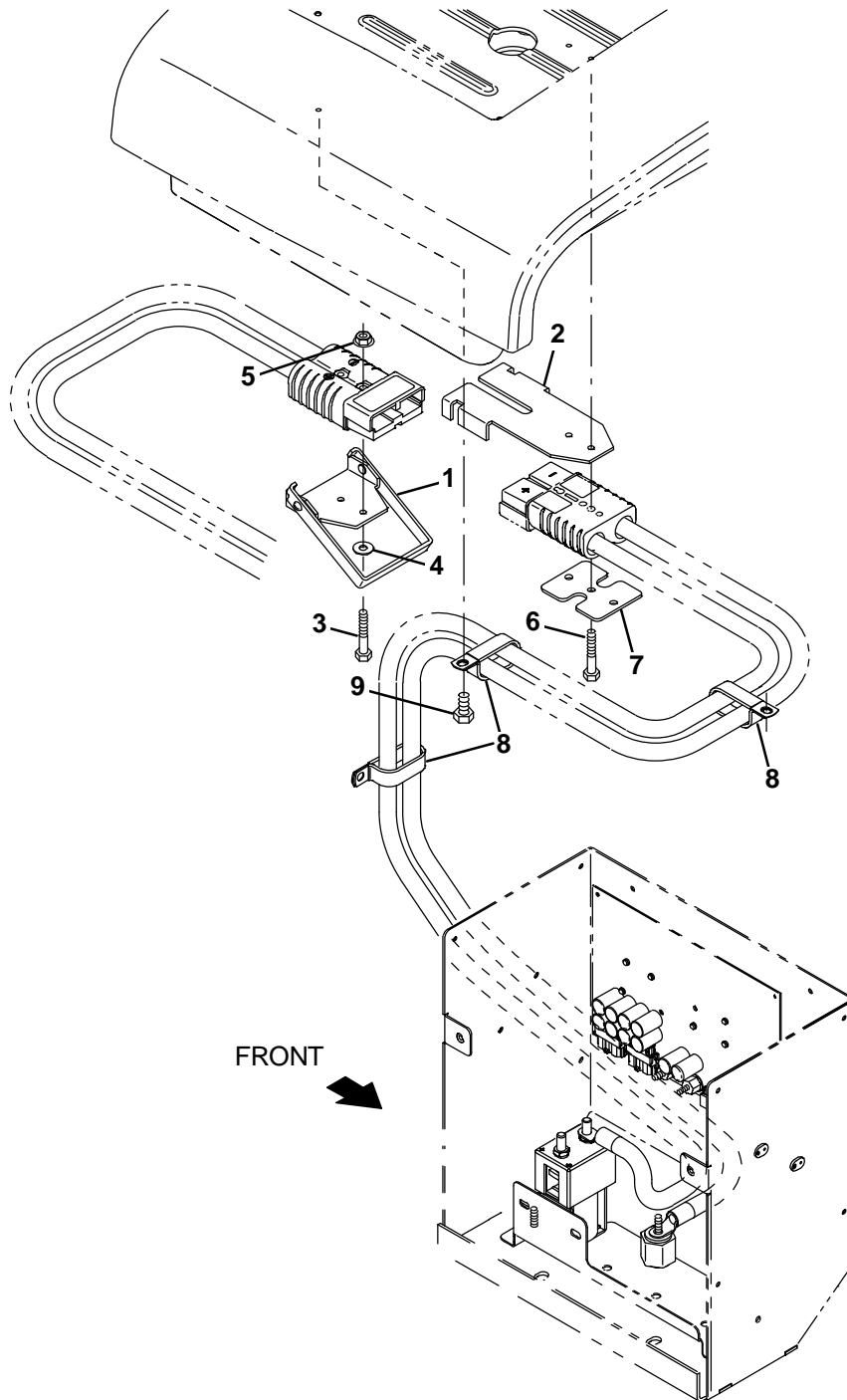
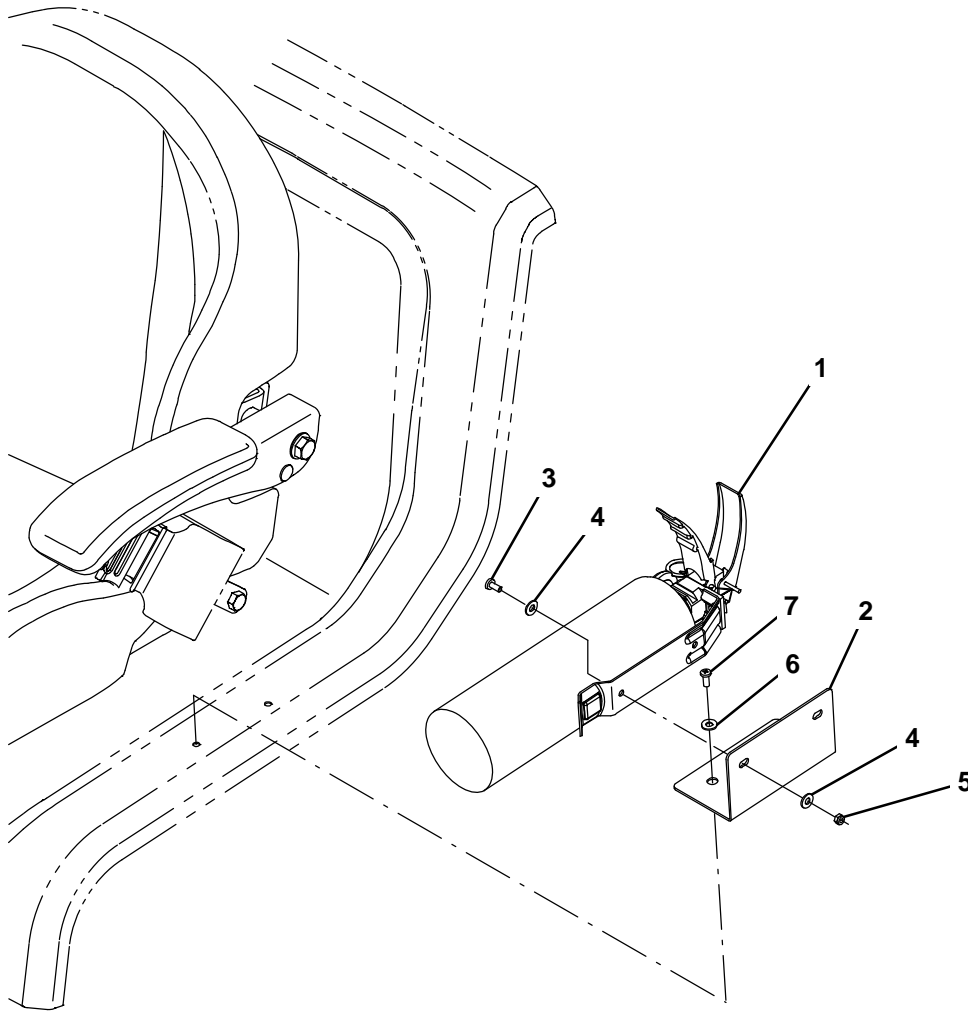


Fig. 62 - Battery Quick Disconnect Group (013000-)

	Ref.	Part No.	Serial Number	Description	Qty.
▽		9018832	(013000-) Parts Kit, Battery Qdc, CI [T17/M17]	1
▲	1	1238009	(013000-) Bracket, Mtg, Battery, Disconnect	1
▲	2	1238011	(013000-) Bracket, Mtg, Base, Battery, Disconnect	1
▲	3	33930	(013000-) Screw, Hex, M6 X 1.00 X 40, Ss	2
▲	4	32490	(013000-) Washer, Flat, 0.25, Std	2
▲	5	07790	(013000-) Nut, Hex, Flng, M6 X 1.00	2
▲	6	06948	(013000-) Screw, Hex, M6 X 1.00 X 45, 8.8	2
▲	7	1238390	(013000-) Plate, Mtg, Battery, Disconnect	1
▲	8	09570	(013000-) Clamp, Cable, Stl, 0.90D X 0.62W, 1 Hole	1
▲	9	49826	(013000-) Screw, Hex, M8 X 1.25 X 16, NI, Ss	3

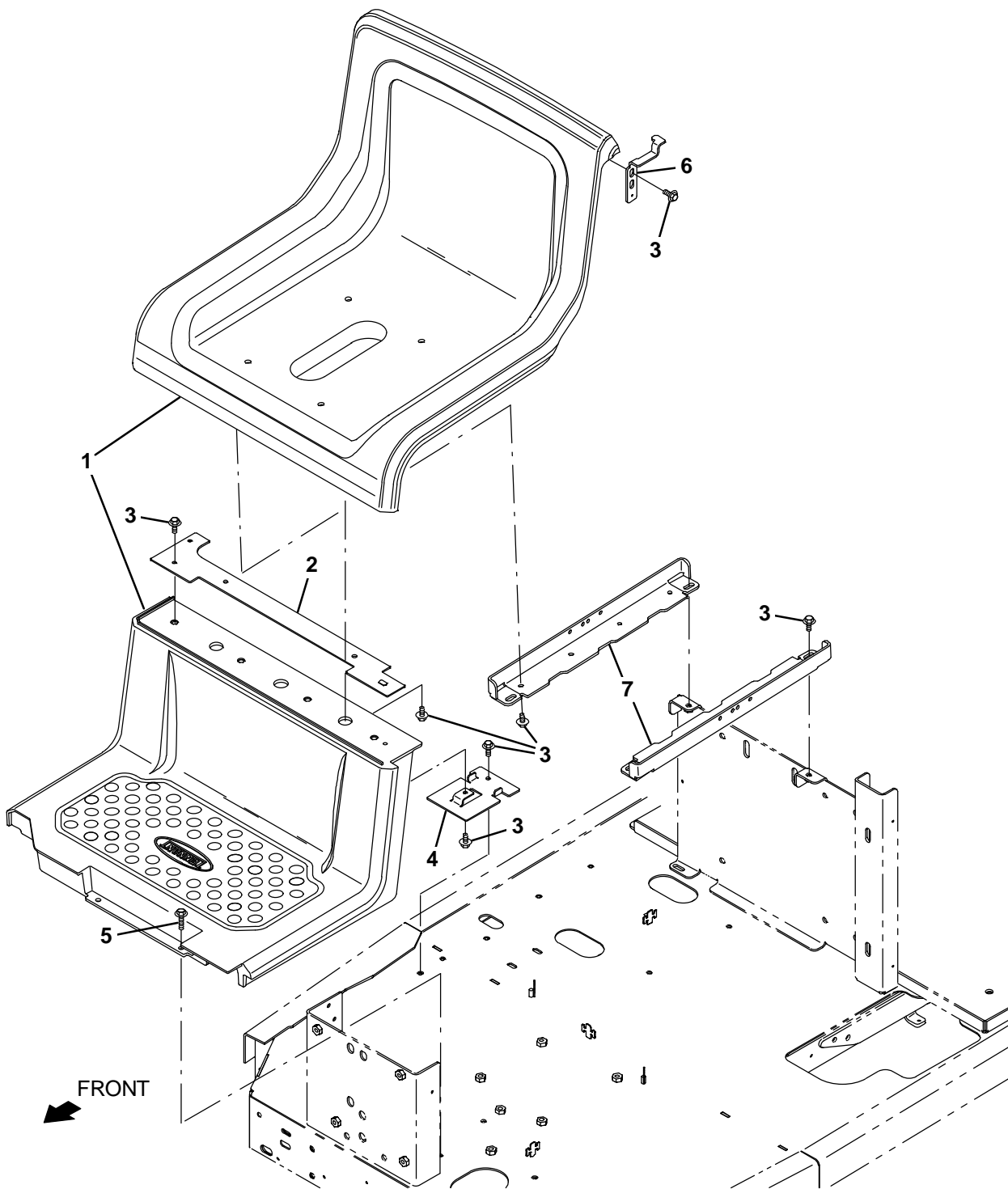
Fig. 63 – Fire Extinguisher Kit



356503

Ref.	Part No.	Serial Number	Description	Qty.
▽	9020139	(000000–) Parts Kit, Extinguisher, Fire, Ci	1
▲	1 25312	(000000–) Extinguisher, Fire, 2.5 Lb Dry	1
▲	2 1207986	(000000–) Bracket, Fire Extinguisher	1
▲	3 09738	(000000–) Screw, Hex, M5 X 0.80 X 12, Ss	2
▲	4 32483	(000000–) Washer, Flat, 0.25, Sae	4
▲	5 09739	(000000–) Nut, Hex, Lock, M5 X 0.80, NI, Ss	2
▲	6 140011	(000000–) Washer, Flat, 0.21b 0.45d .03, Ss	2
▲	7 360973	(000000–) Screw, Pan, Phl, 12–16 X 0.50, F/ Plstc	2

Fig. 64 – Extended Operation Station Group (013000-)



356876 – T17

Ref.	Part No.	Serial Number	Description	Qty.
1	1246365	(013000-)	Platform Set, Oprtr [T17/M17 Trim]	1
2	1239383	(013000-)	Plate Wldt, Mtg, Platform	1
3	1020341	(013000-)	Screw, Hex, M8 X 1.25 X 20, Ss, Sems	9
4	1205073	(013000-)	Plate, Mtg	1
5	1037355	(013000-)	Screw, Hex, M8 X 1.25 X 35, 9.8, Sems	2
6	1239393	(013000-)	Bracket, Latch	1
7	1239385	(013000-)	Angle, Sppt, Seat	2

OPTIONS

Fig. 65 – Documentation Group (Online Only)

Ref.	Part No.	Serial Number	Description	Qty.
	9020160	(000000–)	Manual, Oprtr [T17 Ele, En, Na]	1
	9020161	(000000–)	Manual, Oprtr [T17 Ele, Es, Na]	1
	9020162	(000000–)	Manual, Oprtr [T17 Ele, Fr, Na]	1
	9020163	(000000–)	Manual, Oprtr [T17 Ele, Ptb]	1
	9020164	(000000–)	Manual, Oprtr [T17 Ele, Jp]	1
	9020165	(000000–)	Manual, Oprtr [T17 Ele, Cn]	1
	9020166	(000000–)	Manual, Parts [T17 Ele, En, Na/Int]	1
	9020167	(000000–)	Manual, Service Info [T17 Ele, En]	1
	9020146	(000000–)	Dvd, Operator [T17]	1
	9020305	(000000–)	Instr, Use&Care, Wallchart [T17]	1



To view, print, or download the latest Parts manual, other language Operator manuals, and Use and Care Guides (wall charts) visit:

www.tennantco.com/manual

SECTION 4

Contents	Page
Fig. 1 – ec-H2O Module Assembly Breakdown, 9020260	4-2
Fig. 2 – Accelerator and Brake Pedal Assembly Breakdown, 1209411	4-4
Fig. 3 – Metering Solution Pump Breakdown, 386364	4-5

Fig. 1 – ec-H2O Module Assembly Breakdown, 9020260

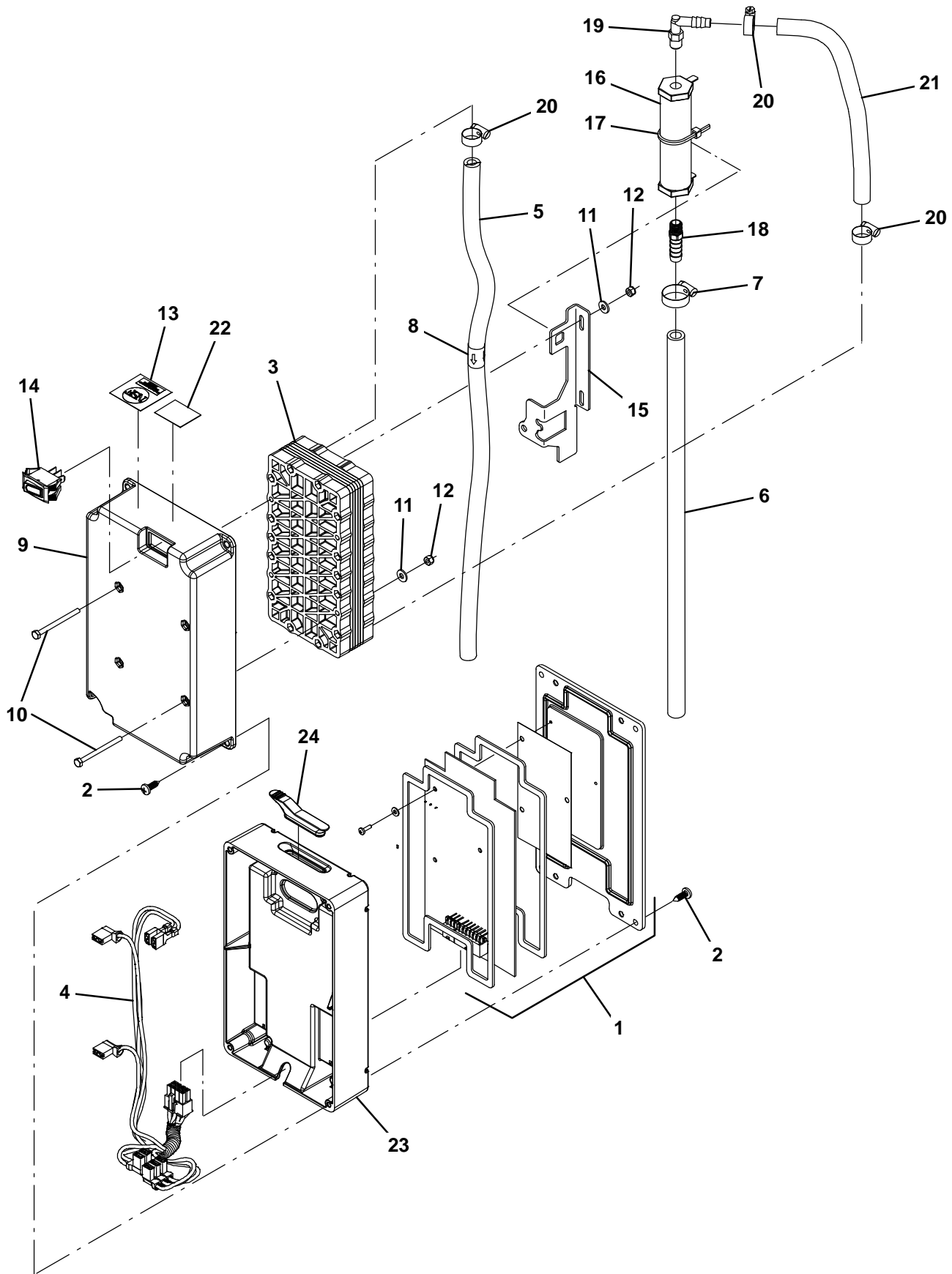
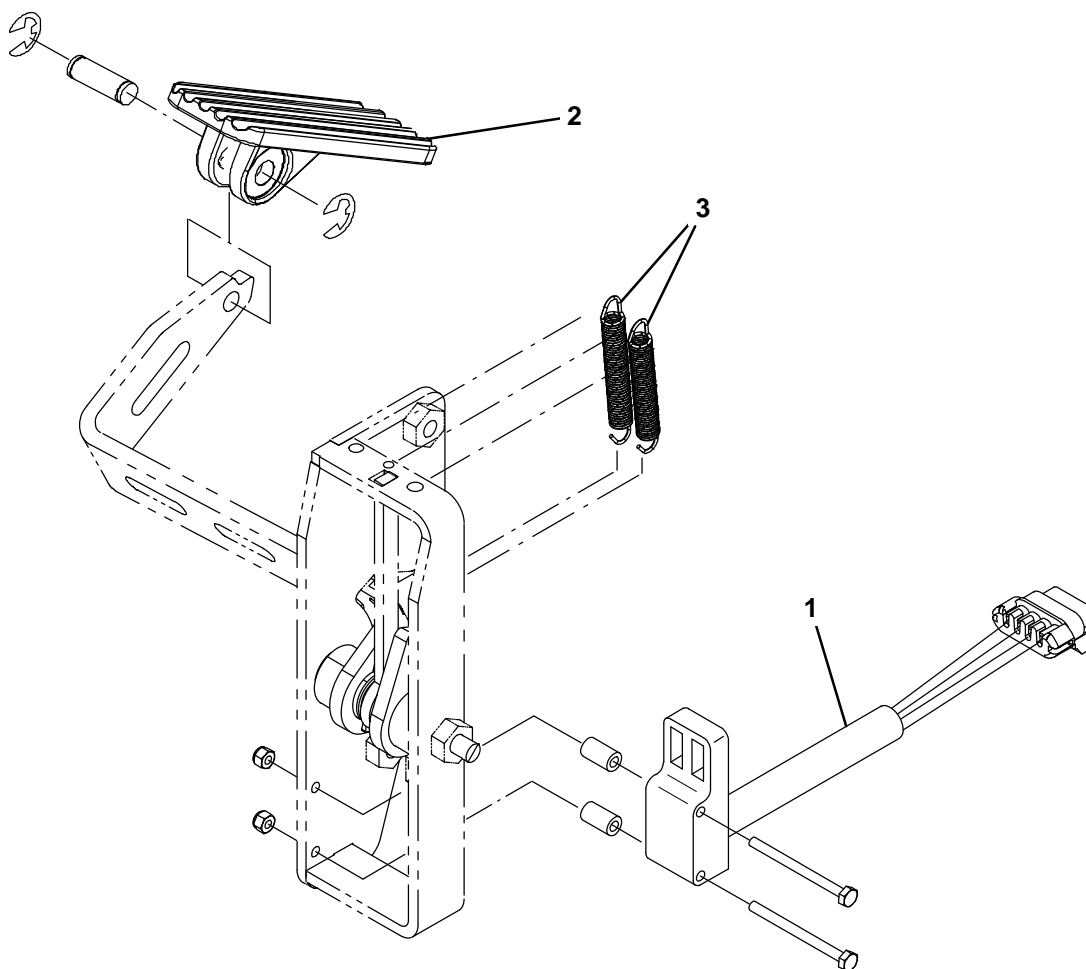


Fig. 1 - ec-H2O Module Assembly Breakdown, 9020260

Ref.	Part No.	Serial Number	Description	Qty.
▽	9020260	(000000-) Ec-H2o Module Kit, Afmkt [T17]	1
▲	1 9020261	(000000-) Circuit Board Kit, Ec-H2o, Afmkt [T17]	1
▲	2 1018155	(000000-) Screw, Pan, Phl, M5 X 0.80 X 16, Tcut,Ss	8
▲	3 1057637	(000000-) Electrode, 5 Plate, High Flow	1
▲	4 1069708	(000000-) Harness, Ele, Ech2o [T12 Module]	1
▲	5 9006268	(000000-) Hose, Pvc, Brd, 0.38id, 01Ft, Clr	1
▲	6 1014971	(000000-) Hose, Afmkt, Pvc, Brd, 01Ft, Clr	1
▲	7 54333	(000000-) Clamp, Hose, Wormdrive, 0.31-0.88d, .31w	1
▲	8 1049637	(000000-) Label, Direction [Ec-H2o]	1
▲	9 1051519	(000000-) Housing, Upper, Module, High Flow	1
▲	10 32509	(000000-) Screw, Hex, M4 X 0.70 X 50, Ss	4
▲	11 41579	(000000-) Washer, Flat, 08, Ss	4
▲	12 33932	(000000-) Nut, Hex, Lock, M4 X 0.70, NI, Ss	4
▲	13 1046041	(000000-) Label, Module [Nsf, Ec-H2o]	1
▲	14 1044393	(000000-) Switch, Rocker, Spst, Mom	1
▲	15 1048741	(000000-) Bracket, Valve, Large	1
▲	16 1062006	(000000-) Electrode, Cylindrical	1
▲	17 130773	(000000-) Tie, Cable, Nyl, 11.0l, .14w, 3.0 Max. D	1
▲	18 1055552	(000000-) Fitting, Brs, Str, Bm06/Pm02	1
▲	19 1051268	(000000-) Fitting, Plstc, E90, Bm05/Pm02, Nyl	1
▲	20 43844	(000000-) Clamp, Hose, Wormdrive, 0.25-0.62d, .31w	3
▲	21 1014971	(000000-) Hose, Afmkt, Pvc, Brd, 01Ft, Clr	1
▲	22 1068763	(000000-) Label, Date Code [Ec-H2o]	1
▲	23 1037032	(000000-) Housing, Bottom	1
▲	24 1054776	(000000-) Grommet, Blind	1

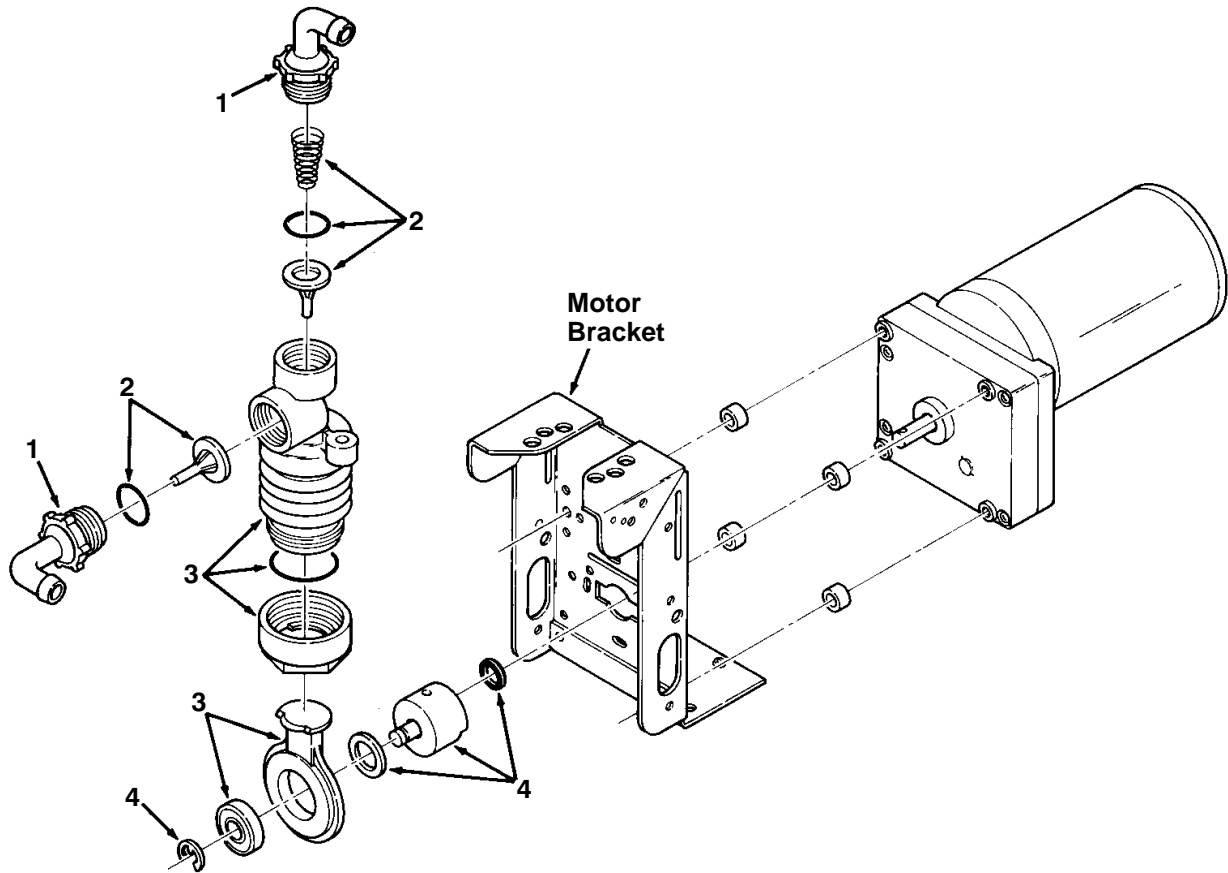
Fig. 2 – Accelerator and Brake Pedal Assembly Breakdown, 1209411



356515

Ref.	Part No.	Serial Number	Description	Qty.
▽	1209411	(000000–) Pedal Assy, Accelerator, W/O Brake	1
▲	1	1058687	(000000–) Sensor, Position [Hall]	1
▲	2	1071311	((000000–) Pedal, Foot, W/ Tread	1
▲	3	1061049	(000000–) Spring, Extn, 0.35od 0.05wir 02.8l	2

Fig. 3 – Metering Solution Pump Breakdown, 386364



00112

Ref.	Part No.	Serial Number	Description	Qty.
▽	386364	(000000–) Pump, Metering Solution	1
▲	1 63923	(000000–) Connector Kit, Tubing	1
▲	2 21659	(000000–) Valve Kit, Pump	1
▲	3 21661	(000000–) Replacement Kit, Bellows	1
▲	4 02430	(000000–) Crank Replacement Kit	1

SECTION 5

CONTENTS

PAGE

PART NUMBER TO PAGE NUMBER CROSS REFERENCE LIST 5-2
PART DESCRIPTION TO PAGE NUMBER CROSS REFERENCE LIST 5-11

CROSS REFERENCE

PART NUMBER TO PAGE NUMBER CROSS REFERENCE LIST

Part Number	Page Number	Part Number	Page Number	Part Number	Page Number
00911	2-12, 2-39, 3-49, 3-51	06943	3-75, 3-79, 3-115	09023	2-7, 3-35, 3-39, 3-49
00912	2-11, 2-12, 3-107	06944	2-39	09026	2-15
00928	2-35, 3-23	06945	3-117	09028	2-39, 3-47, 3-107
01316	3-61, 3-63	06946	2-29	09120	3-85
01513	3-49	06948	2-29, 3-123	09162	2-11
01516	2-57, 3-49, 3-51	06952*	3-95, 3-97	09198	2-3, 2-5
01683	2-27, 3-11, 3-65, 3-67, 3-69, 3-71, 3-75, 3-83, 3-105, 3-111, 3-115, 3-119	06961	2-11	09200	3-69
01684	2-3, 2-5, 2-7, 2-27, 2-35, 2-39, 2-41, 2-43, 2-55, 2-59, 3-19, 3-21, 3-23, 3-35, 3-39, 3-45, 3-47, 3-49, 3-53, 3-61, 3-63, 3-85, 3-115	06965	3-79	09206	3-111, 3-117
01685	2-7, 2-15, 2-19, 2-21, 2-35, 2-49, 2-51, 3-9, 3-23, 3-35, 3-39, 3-47, 3-53, 3-61, 3-63, 3-65, 3-81, 3-85, 3-103, 3-117, 3-119	06969	2-31, 2-33, 2-35	09244	3-83, 3-103
01686	2-35, 2-39, 2-41, 2-43, 2-55, 2-57, 2-59, 3-9, 3-21, 3-23, 3-45, 3-47, 3-49, 3-53	06971	2-37	09252	3-111
01711*	3-95, 3-97	07259	2-23, 2-25	09291	2-41, 2-43
01713	2-29	07450	2-57	09570	2-61, 2-65, 3-83, 3-123
01726	2-65, 3-87, 3-89, 3-91, 3-93, 3-98	07471	2-35	09738	2-39, 3-27, 3-69, 3-71, 3-124
01847	3-35, 3-39	07514	2-65, 3-83	09739	2-41, 2-43, 3-65, 3-69, 3-75, 3-111, 3-124
02430	4-5	07515	2-27, 2-29, 2-65, 3-105	09740	2-9, 2-15, 2-61, 3-25, 3-49, 3-83, 3-85
02850	3-45, 3-47, 3-103, 3-111, 3-117	07785	3-35, 3-39	09741	2-33
02942	3-33, 3-37, 3-53, 3-119	07786	2-41, 2-43, 2-59, 3-45, 3-49, 3-53	09744	3-19
03192	3-9	07787	2-57	09767	3-49
03193	3-9	07788*	3-95, 3-97	09770	2-55
04051	2-9	07789	3-27	09775	2-57
04843	2-15, 2-55	07790	3-95, 3-97, 3-123	1002898	3-71
04846	2-12, 2-41, 2-43	07791	2-11, 3-45	1002899	3-71
04928	2-33	08170	3-49	1005218	3-61, 3-63
05134	3-65	08175	2-55	1005630	3-27, 3-67, 3-69, 3-71
05685	2-57	08178	2-15, 2-31, 2-55	1006400	3-27, 3-71
05686	2-57, 3-21	08179	2-15, 2-55, 3-35, 3-39	1006410	3-65
06415	2-55	08182	2-31	1008142	3-13, 3-15
06549	3-5, 3-7, 3-47, 3-83, 3-85, 3-119	08202	2-31	1009356	3-49
06919	2-63, 3-55	08236	2-41, 2-43, 2-57	1011170	3-71
06920	3-3, 3-45	08708	2-29, 2-55, 2-65, 3-45, 3-51, 3-75, 3-79	1011409	2-35, 3-71
06926	2-63, 3-29, 3-41, 3-55	08709	2-11, 2-15, 2-61, 3-13, 3-15, 3-47, 3-75	1011411	3-71
06927	2-29, 3-13, 3-15, 3-45, 3-47, 3-83, 3-103	08711	2-31	1011412	3-105
06933	2-53, 3-5, 3-7	08712	2-7, 2-15, 2-33, 2-41, 2-43, 2-55, 3-35, 3-39, 3-47, 3-65, 3-83, 3-85, 3-115	1011522	3-69
06934	3-101	08713	2-7, 2-41, 2-43, 2-45, 2-49, 2-51, 3-21, 3-35, 3-39, 3-49, 3-51, 3-53, 3-61, 3-63, 3-67, 3-81, 3-85, 3-103, 3-113, 3-117	1011719	3-21
06935	2-61, 3-47, 3-103, 3-117	08714	2-55, 2-57, 2-59, 3-21	1011735	2-17
06938	3-107	08716	2-7, 2-53, 3-49, 3-115	1011837	3-75
06942	2-19, 2-27, 2-29, 2-65, 3-107	09005	3-75	1011882	3-101
		09007	2-39, 3-45, 3-47, 3-49, 3-65	1011885	3-67
		09010	2-7, 2-9, 2-15, 2-35, 2-45, 2-49, 3-21, 3-25, 3-27, 3-35, 3-39, 3-45, 3-47, 3-53, 3-67, 3-69, 3-99, 3-103, 3-119	10120	2-41, 2-43
		09011	2-7, 2-15, 2-49, 3-21, 3-23, 3-25, 3-65, 3-67, 3-117, 3-119	1014295	3-77
				1014328	2-39, 3-49
				1014563	2-55
				1014949	3-69, 3-71
				1014971	3-107, 4-3
				1014974	3-69, 3-105
				1014976	3-27, 3-69, 3-105
				1014981	3-67
				1015025	3-27
				1015026	3-105
				1015032	3-65
				1015455	3-69
				1016331	2-15
				1016354	2-35

CROSS REFERENCE

Part Number	Page Number	Part Number	Page Number	Part Number	Page Number
1017218	2-7, 2-9, 2-19, 2-39, 2-45, 2-49, 2-61, 2-63, 3-9, 3-21, 3-23, 3-25, 3-35, 3-39, 3-45, 3-51, 3-53, 3-67, 3-99, 3-101, 3-115, 3-119	1042500	2-5	1058340	2-63
1017368	2-5	1042504	2-5	1058451	3-45
1017441	3-33, 3-37, 3-53	1042772	3-103	1058477	3-45
1017802	3-33, 3-37, 3-53	1044393	4-3	1058679	2-17
1018155	4-3	1044428	3-103, 3-107	1058687	4-4
1018276	2-55	1045034	3-61, 3-63	1058694	3-5
1019285	2-49, 3-63, 3-65	1045041	2-35, 2-37	1058695	3-47
1020168	3-103	1045487	2-41, 2-43, 2-45	1058901	3-45
1020341	2-7, 2-11, 2-17, 2-19, 2-47, 2-49, 2-51, 2-53, 2-61, 2-63, 3-5, 3-11, 3-13, 3-15, 3-33, 3-37, 3-45, 3-47, 3-53, 3-69, 3-75, 3-103, 3-107, 3-111, 3-113, 3-115, 3-117, 3-119, 3-125	1045525	2-17, 2-59	1059073	2-11
1022671	3-77	1046041	4-3	1059231	3-69
1022846	2-41, 2-43	1046404	2-63, 3-111	1059308	3-49
1023676	2-31	1048741	4-3	1059342	3-5
1023677	2-31	1048955	2-19	1059938	3-5
1023920	3-47, 3-117	1049637	4-3	1060103	3-9
1024977	3-79	1050295	3-115	1060128	3-75, 3-105, 3-107
1026014	2-49	1050554	3-117	1060210	3-53
1027976	3-75	1051027	2-5	1060276	2-63, 3-18
1028581	3-71	1051030	2-3	1060394	3-53
1031413	2-57, 3-21	1051052	2-19, 2-21	1060428	3-75
1034731	2-11, 2-39, 2-63, 3-117	1051268	4-3	1060440	3-77
1034731*	3-95, 3-97	1051519	4-3	1060673	2-45
1036892	3-45, 3-49, 3-111	1052010	3-71	1060691	3-77
1037032	4-3	1052123	2-29, 3-95, 3-97	1060708	3-77
1037346	2-7, 3-35, 3-39, 3-75, 3-101, 3-105	1052126	2-29, 2-53, 3-11, 3-49, 3-107	1060718	3-77
1037354	2-7, 3-47, 3-49, 3-85, 3-87, 3-89, 3-91, 3-93, 3-101, 3-111	1052532	2-59	1060720	3-77
1037355	2-9, 2-19, 3-85, 3-95, 3-97, 3-125	1052726	2-17	1060784	3-45
1037822	1-1, 2-49	1052962	2-7, 3-99, 3-119	1061049	4-4
1037827	2-33	1053342	3-49	1061356	3-77
1039042	3-103	1053815	3-53	1061570	3-77
1039044	3-103	1053825	2-11	1061571	3-77
1039056	3-103	1054178	3-75	1061910	2-65
1039392	3-7	1054581	3-49	1061918	2-65
1039557	3-69, 3-71	1054591	3-49	1061954	3-65
1039998	2-29	1054654	2-11	1062006	4-3
1040049	2-12	1054662	3-21	1062106	3-5
1040467	2-29, 3-33, 3-37, 3-45, 3-69, 3-83, 3-103, 3-113	1054776	4-3	1062386	2-23, 2-25
1040634	3-19	1054945	2-57	1062403	3-69
1040800	3-19	1054948	3-51	1062651	2-45
1040803	3-51	1055051	3-49	1062659	3-77
1040868	2-102, 3-69	1055254	3-69	1062813	2-103
1042051	3-103	1055396	2-59	10632-2	3-7
1042191	3-103, 3-107	1055552	4-3	1063263	3-5
1042499	2-5	1055552	4-3	1063363	3-49
		1056189	3-51	1064184	2-63, 3-3, 3-5, 3-7, 3-29, 3-55, 3-69
		1056412	2-11	1064188	3-3, 3-5, 3-7, 3-11, 3-55, 3-75, 3-108
		1056719	3-75	1064191	3-5
		1056838	2-39	1065134	2-41, 2-43
		1056979	3-5	1065343	2-103
		1056982	3-75, 3-108	1066397	2-39
		1057043	2-11	1066429	2-61
		1057171	2-11	1066431	2-45, 2-53
		1057214	2-49	1066434	2-49
		10575	3-61, 3-63	1066919	3-75
		1057554	2-11	1067452	1-1, 3-47
		1057572	2-11	1067526	3-69
		1057637	4-3	1068510	2-65
		1057780	2-7	1068763	4-3
		1057785	2-11	1069311	2-45
		1057814	3-75	1069315	3-117
		1057816	3-75		
		1057978	3-65		

CROSS REFERENCE

Part Number	Page Number	Part Number	Page Number	Part Number	Page Number
1069322	2-17, 3-101	1200394	3-75	1205048	2-7
1069467	3-83	1200467	3-71	1205049	2-49
1069580	3-83	1200634	3-21	1205073	2-19, 3-125
1069671	3-72	1200642	3-77	1205131	2-35
1069708	4-3	1201101	3-21	1205133	2-33
1069746	3-7	1201149	3-23	1205154	2-7
1070324	3-83	1201267	2-53	1205257	2-7
1070402	3-83	1201393	3-75	1205262	3-11
1070541	3-83	1201423	3-75	1205296	2-11
1070658	3-83	1201428	2-21	1205299	3-25
1070757	3-83	1201434	2-51, 3-81	1205307	3-23
1071085	2-27, 3-7, 3-25, 3-27, 3-33, 3-35, 3-37, 3-39, 3-67	1201441	3-71	1205397	2-9
1071311	4-4	1201500	3-21, 3-35, 3-39	1205402	3-47
1072951	2-27	1201534	2-17	1205428	2-47
1072952	2-27	1201609	3-23	1205449	3-53
1072978	2-65	1201894	2-19	1205547	3-47
1072979	2-65	1202779	2-7	1205550	3-47
1072981	2-65	1202860	2-63, 3-29, 3-41, 3-55	1205553	2-55
1072992	3-43	1202864	2-65	1205565	3-49
1072999	3-31	1202868	2-9, 2-63	1205593	3-47
1073042	3-58	1202870	3-3	1205619	3-47
1073054	3-58	1202892	3-3	1205797	2-49
1073059	3-83	1203454	3-69, 3-71	1205801	2-53
1073062	3-18	1203814	3-69	1205811	2-53, 2-61
1073077	3-83	1203848	2-53	1205863	2-7
1073078	3-83	1203947	3-75	1205864	2-7
1073181	2-11	1203996	3-69, 3-71	1206060	2-45
1074075	3-81	1204024	3-69	1206099	2-51
1074103	2-102	1204077	2-9	1206119	2-49
1074570	2-29	1204114	2-45	1206138	3-27, 3-69
1074598	3-18	1204170	2-17	1206251	2-59
1074600	3-83	1204306	3-11	1206303	3-71
1074601	3-83	1204338	3-69, 3-71	1206367	2-7, 3-99
1074604	2-102	1204356	2-35	1206370	1-1, 2-51
1074713	2-65	1204357	2-39	1206422	3-21
1075003	2-17	1204396	3-35, 3-39	1206431	2-65
1075150	2-29	1204441	2-39	1206456	3-75
1075238	3-27	1204458	2-35	1206470	2-33
1075296	3-5, 3-7	1204460	2-35	1206475	3-23
1076435	2-102	1204634	2-39	1206482	3-75
1076436	3-108	1204637	2-39	1206485	2-23
1076449	3-109	1204638	2-39	1206530	2-59
1076532	3-121	1204639	2-39	1206546	2-17
1076655	2-102	1204640	1-1, 2-39	1206589	3-23
1076691	2-35, 2-37	1204642	2-39	1206592	3-23
1076746	3-121	1204643	2-39	1206597	3-23
1077067	2-19, 2-21	1204732	2-9	1206598	3-23
1077071	2-19, 2-21	1204774	3-35, 3-39	1206599	3-23
1077073	2-19, 2-21	1204790	2-39	1206602	3-21
10912	3-47	1204791	2-39	1206722	3-21
11329	3-23, 3-49, 3-51, 3-53, 3-61, 3-63	1204880	2-39	1206723	3-21
11329*	3-95, 3-97	1204881	2-39	1206774	2-53, 3-47
11398	3-33, 3-37, 3-53	1204919	3-35, 3-39	1206785	2-19
11399	2-47, 3-61, 3-63	1204926	3-9	1206805	3-25
11531	2-47	1204954	3-47	1206809	3-25
11635	3-23	1204972	3-9	1206821	2-57
1200149	2-53, 3-47	1204974	3-9	1206844	2-57
1200328	3-27, 3-69	1205010	2-37	1206865	2-57
		1205011	2-37	1206872	2-55
		1205013	3-35, 3-39	1206948	2-45
		1205016	3-35, 3-39	1206951	3-87, 3-89, 3-91, 3-93

CROSS REFERENCE

Part Number	Page Number	Part Number	Page Number	Part Number	Page Number
1206961	2-49	1207866	3-25	1208858	2-59, 3-35, 3-39
1207034	2-57	1207887	2-49	1208899	2-23
1207039	2-53	1207902	3-79	1208906	2-59
1207041	3-45	1207903	2-55	1208907	3-11
1207045	3-53	1207911	3-77	1208971	2-23, 2-25
1207047	3-53	1207912	3-85	1208974	2-23, 2-25
1207086	1-1, 2-59	1207922	2-19	1208977	2-23, 2-25
1207087	1-1, 2-59	1207933	3-87	1208983	2-23, 2-25
1207103	2-59	1207934	3-87	1208985	2-23, 2-25
1207108	2-37	1207935	3-89, 3-91	1208986	2-23, 2-25
1207119	3-45	1207936	3-89, 3-91	1208987	2-23, 2-25
1207123	3-45	1207946	2-61	1208989	2-23, 2-25
1207126	2-37	1207961	3-79	1208999	2-23, 2-25
1207127	2-37	1207981	2-15	1209015	2-15
1207130	2-49, 3-103	1207984	2-31	1209041	2-63
1207131	2-61	1207986	3-124	1209052	2-23, 2-25
1207139	3-33	1208021	3-25	1209073	2-23
1207145	2-61, 3-113	1208043	3-61, 3-63	1209119	3-45
1207151	3-45	1208045	2-9	1209120	2-59
1207174	2-15	1208053	3-79	1209121	2-59
1207177	2-15	1208106	2-31	1209122	2-59
1207184	2-31	1208109	3-79	1209140	3-45
1207209	2-49	1208113	2-11	1209190	2-61
1207229	2-45	1208122	3-11	1209194	2-19
1207269	3-47	1208128	3-9	1209244	3-35, 3-39
1207272	2-45	1208153	2-57	1209246	2-9
1207284	3-55, 3-67	1208155	2-57	1209368	3-85
1207297	2-27	1208156	2-57	1209411	2-15, 4-4
1207330	3-35	1208185	2-17	1209444	2-29, 2-59
1207341	2-53	1208187	2-17	1209652	3-11
1207362	2-61	1208188	2-9	1209678	3-21
1207412	3-33, 3-37	1208208	2-33	1209684	2-51
1207436	2-31	1208217	3-55	1209712	2-57
1207444	3-9	1208247	2-55	1209769	2-33
1207466	2-55	1208274	2-55	1209802	3-49
1207484	3-47	1208356	1-1, 2-59	1209915	3-9
1207485	3-51	1208357	1-1, 2-59	1209960	2-23, 2-25
1207486	3-49	1208358	2-59	1209964	2-23, 2-25
1207487	3-49	1208359	2-59	1209965	2-23, 2-25
1207488	3-49, 3-51	1208363	2-7	1209966	2-23, 2-25
1207517	3-77	1208364	2-7	1209968	2-23, 2-25
1207518	2-47	1208394	3-45	1209969	2-23, 2-25
1207550	3-47	1208411	2-17	1209995	2-23, 2-25
1207554	3-39	1208412	2-63	1210022	2-57
1207559	3-37	1208432	3-27	1210177	2-33
1207562	2-51	1208433	3-27	1210179	2-33, 2-37
1207566	2-15	1208434	3-27	1210262	2-33
1207608	2-59	1208486	2-47	1210286	2-23, 2-25
1207654	2-15	1208527	3-85	1210312	3-21
1207656	3-21	1208612	2-11	1210313	3-91
1207657	3-25	1208625	2-11	1210316	3-91
1207659	3-65	1208629	2-59	1210399	2-63, 3-29, 3-41, 3-55
1207661	1-1, 2-59	1208673	3-85	1210430	2-41, 2-43
1207701	3-83	1208691	2-65	1210467	2-63
1207718	3-23	1208710	3-9	1210581	3-21
1207725	3-9	1208714	3-9	1210618	2-37
1207739	2-55	1208730	2-59	1210624	2-33
1207750	3-67	1208732	3-67	1210630	2-33
1207757	2-55	1208733	3-63	1210660	2-35
1207774	3-75	1208748	2-53, 2-61, 3-103	1210667	2-35
1207777	3-61, 3-63	1208772	3-49	1210673	3-85, 3-119

CROSS REFERENCE

Part Number	Page Number	Part Number	Page Number	Part Number	Page Number
1210711	2-7	1213435	2-103	1224331	3-107
1210807	2-37, 2-49, 3-21, 3-29, 3-45, 3-55, 3-67, 3-83, 3-105, 3-115, 3-119	1213461	2-15	1224341	2-11
1210841	3-61, 3-63	1213513	3-77	1224454	2-11
1210969	3-55	1213530	2-59	1224634	3-117
1210971	2-61	1213539	2-59	1224699	2-11
1211150	3-77	1213680	3-99	1224700	2-11
1211399	3-49	1213799	3-77	1224776	3-13, 3-15
1211837	3-53	1213802	3-53	1224777	3-13
1211884	2-41, 2-43	1214093	2-47	1224893	2-11
1211929	3-45	1214095	3-61, 3-63	1225078	3-117
1211934	2-5, 3-49	1214173	2-53	1225119	2-11, 2-12
1211952	2-23, 2-25	1214174	2-53	1225182	3-117
1211963	3-81	1214326	3-81	1225192	3-111
1212006	3-81	1214337	2-51	1225312	3-117
1212112	2-31	1214550	2-63	1225331	3-117
1212158	3-89, 3-91	1214566	2-63	1225397	3-117
1212163	3-23	1214622	3-13, 3-15	1225415	3-117
1212210	3-23	1214737	3-13	1225416	3-117
1212211	3-23	1216949	2-41, 2-43	1225417	3-117
1212212	3-23	1216950	2-41	1225419	3-25, 3-119
1212248	2-7, 3-119	1216951	2-43	1225423	3-35, 3-39
1212298	2-45	1217187	3-65, 3-105	1225425	3-39
1212350	2-7	1217322	2-25	1225432	3-35
1212366	3-81	1217475	2-15	1225437	3-85
1212400	2-15	1217573	2-17	1225439	3-67
1212415	2-19	1217751	2-29	1225442	2-29
1212443	3-69	1218173	3-115	1225464	2-103
1212623	2-33	1218213	2-9	1225465	2-103
1212747	3-99	1218331	3-115	1225479	3-111
1212782	2-59	1218383	2-45	1225482	3-115, 3-117
1212823	3-37, 3-53	1218579	2-15	1225503	2-11
1212824	3-33, 3-53	1218580	2-15	1225506	2-7
1212849	1-1, 2-39	1218851	2-12	1225535	3-93
1212887	2-47	1218852	2-12	1225538	3-93
1213007	2-41	1218920	2-17	1225563	2-25
1213059	2-63	1219037	2-12	1225566	3-111
1213060	2-41	1219060	3-117	1225700	3-103, 3-113
1213061	2-41	1219065	3-111	1225704	3-103, 3-113
1213093	2-41, 2-43	1219396	3-93	1226141	2-11
1213110	2-49	1220192	2-3	1226647	3-111, 3-117
1213118	3-81	1220193	2-3	12269	3-49, 3-51
1213161	2-37	1220194	2-3	12273	2-39, 2-45, 2-49, 3-9, 3-23, 3-67, 3-101, 3-115, 3-119
1213182	3-81	1220201	2-3	12274	3-13, 3-15
1213186	3-81	1220235	2-5	1227455	2-37
1213200	2-35	1220236	2-5	12277	3-111
1213206	3-81	1220241	2-5	1227707	3-111
1213211	1-1, 2-41, 2-43	1220244	2-5	1227867	3-27
1213228	2-43	1220430	3-61, 3-63	1228060	3-87, 3-89, 3-91
1213229	2-41	1221161	2-29, 2-47	1228978	3-111
1213234	2-43	1221283	3-119	1229005	2-15
1213243	2-43	1221285	2-7	1229338	3-111
1213244	2-43	1221543	2-5	1230821	2-15
1213266	1-1, 2-41, 2-43	1221794	2-29	1230885	2-15
1213267	2-41, 2-43	1221952	3-27, 3-69	12309	3-21
1213281	3-87, 3-89, 3-91, 3-93	1222170	3-25, 3-119	12312	3-103
1213317	3-67	1222501	3-117	12316	3-75, 3-105
1213362	3-81	1222504	3-115	12317	2-57, 3-47, 3-53
1213392	3-81	1222526	3-111	1233055	2-33
1213434	2-103	1222545	2-35	12333	2-49, 3-81
		1224140	3-117		
		1224229	3-115		

CROSS REFERENCE

Part Number	Page Number	Part Number	Page Number	Part Number	Page Number
1234554	2-15	1243816*	3-95, 3-97	150208	3-69
1234789	2-15	1243817*	3-95, 3-97	150412	3-105
1234792	2-15	1243843*	3-95, 3-97	15047	3-35, 3-39
1236066	2-15	1244404	3-87	150538	3-27, 3-69, 3-107
1236318	3-107	1244405	3-89	150713	2-35
1236430	2-17	1244412	3-87	15331	2-15, 2-57
1238009	3-95, 3-97, 3-98, 3-123	1244413	3-89	15522	3-51
1238011	3-123	1244427	3-75, 3-105	15539	2-3, 2-5
1238011*	3-95, 3-97	1244570	3-103	15675	2-53, 3-23
1238175	3-101	1244571	3-111	15678	2-15, 2-27, 2-39, 2-41, 2-43, 2-61
1238324	3-113	1244839	2-25	16411	1-1
1238390	3-123	1244840	2-25	16412	1-1
1238513	3-103	1244906	3-103	16735	2-11, 2-41, 2-43, 3-107
1238671	3-101	1244957	3-115	16879	2-33
1238731	3-101	1244985	3-117	16930	3-99
1238746	3-107	1245600	3-115	16931	2-9, 2-11, 3-13, 3-15
1238848	2-7	1245646	3-115	16960	2-23, 2-25
1238870	2-17	1245866	3-103	17260	2-3
1238878	3-101	1246365	3-125	17261	2-3
1238895	3-101	1246706*	3-95, 3-97	17262	2-3
1238981	3-95, 3-97	1247115*	3-95, 3-97	17263	2-3
1239018	3-107	1247164	3-111	17404	2-41, 2-43
1239141	3-107	1247165	3-111	17461	2-55
1239252	2-7	1247200	3-95, 3-97	17521	3-61
1239309	3-9	1247507	3-83	18136	3-49
1239312	3-9	1247508	3-83	18595	2-47, 3-61, 3-63
1239383	3-125	1247624	3-111	19064	3-47
1239385	3-125	1247646	3-107	19065	2-29, 3-45, 3-117
1239393	3-125	1247763*	3-95, 3-97	19066	2-12, 3-5, 3-7, 3-83
1239531	3-103	1248099	3-111	19312	2-7, 2-53, 2-65
1239673	3-107	1248312	3-87	19314	2-65
1239681	2-19	1248313	3-89	19315	3-5
1239800	3-15	1248350	3-83	19324	2-29
1239902	2-51	1248442	2-21	20170	2-29, 2-31
1240010	3-101	1248572	3-108	20802	2-53
1240228*	3-95, 3-97	1249017	3-119	20944	3-67
1240293	3-105	1249034	3-119	20950	3-27, 3-67
1241005	3-107	1249038	3-119	20951	3-67
1241249	3-85	1249205	3-119	20952	3-67
1241253	3-85	1249795	3-15	21168	3-103
1241509	3-103, 3-113	1250357	3-111	21196	3-79
1241608	3-107	1250867	3-105	21198	3-107
1242000	3-105	1252251	2-17	21606	2-59
1242235	2-31	1255810, 2-63		21659	4-5
1242382*	3-95, 3-97	1256311	2-12	21661	4-5
1242409*	3-95, 3-97	130773	2-53, 3-7, 3-27, 3-67, 3-75, 4-3	222158	2-35, 3-103
1242823	3-75	13773	2-29	222260	2-33, 3-49
1242858	3-98	140011	3-124	222267	3-5, 3-19, 3-45
1242859	3-98	140045	3-79	222290	2-17
1242860	3-98	140324	2-61	222375	3-105
1243007	2-41, 2-43	140825	2-17, 3-3	222460	3-35, 3-39
1243128	3-98	140916	3-83	222463	3-117
1243167	3-105	14242	2-31	222470	3-51, 3-53
1243574	3-95, 3-97	14529	2-55	222505	2-11, 3-23
1243644	3-103	14595-1	2-15, 2-31	222516	2-7, 3-35, 3-39, 3-117
1243645	3-103	14799	2-11	222809	3-29
1243710	3-111	14838	2-3, 2-5	222818	2-39, 3-49
1243711	3-111	14877	3-63, 3-65	22297	3-81
1243783	3-111	14953	2-3	223054	2-55
1243787	3-111	14967	2-3	223065	2-11, 3-13, 3-15

CROSS REFERENCE

Part Number	Page Number	Part Number	Page Number	Part Number	Page Number
223163	2-19	363162	2-59, 3-23, 3-25	397920	2-3
223198	2-37	363301	3-23	397980	2-3
22892*	3-95, 3-97	363469	2-41, 2-43	398500	3-75, 3-108
230735	2-49	364614	3-45, 3-53	398501	2-17
23146	3-119	365096	3-61, 3-63	398526	3-5
23446	3-47, 3-103	368176	2-23, 2-25	398806	2-53, 2-61, 3-101, 3-103
24105	3-61, 3-63	369359	3-79	41140	3-103
24196	3-65, 3-119	369415	3-85	41141	2-7, 2-17
24199	3-83	369781	3-35, 3-39	41143	2-37
24265	2-27, 3-11, 3-67	36996	3-107	41178	3-47
24299	2-3, 2-5	370080	2-3	41185	2-39, 3-49, 3-51
24584	3-75, 3-105, 3-107	370090	2-3	41186	2-35, 2-39, 3-23, 3-49
25312	3-124	370092	2-5	41358	2-23, 2-25
25735	2-41, 2-43, 2-55	370094	2-3	41359	2-27
26315	2-23, 2-25	370095	2-3, 2-5	41360	3-51
26395-1	3-23	375321	3-61, 3-63	41362	3-51
26428	2-11, 2-39	377084	3-3, 3-5, 3-7, 3-55	41410	3-61, 3-63
28010	3-49	377349	2-45, 3-65	41430	3-9, 3-79
29570	2-53	377364	2-35, 3-23	41437	2-19, 2-21
29584	2-33, 3-21	377537	1-1	41579	2-3, 2-5, 3-103, 4-3
30241	2-5	377538	1-1	41702	2-65
32408	3-51	377540	1-1	43555	3-27, 3-69, 3-115
32483	2-19, 2-23, 2-25, 2-27, 2-29, 2-65, 3-5, 3-13, 3-15, 3-79, 3-83, 3-105, 3-107, 3-115, 3-124	378951	2-3	43844	3-27, 3-67, 3-69, 3-71, 3-105, 3-107, 4-3
32485	2-9, 2-11	379829	2-49, 3-35, 3-39	44906	2-33, 3-21, 3-35, 3-39
32486	2-31	381502	2-31, 3-49	46390	2-39
32490	2-61, 3-7, 3-27, 3-67, 3-69, 3-95, 3-97, 3-123	382224	3-49	46657	2-15
32490*	3-95, 3-97	382320	2-49, 2-53, 3-19, 3-101	47167	3-107
32491	2-11, 2-15, 2-31, 2-61, 3-13, 3-47, 3-49, 3-103, 3-107, 3-113	383723	3-41	47388	3-75
32492	2-9, 2-23, 2-25, 2-53, 3-79, 3-99	383726	3-29	48258	3-5
32509	4-3	385685	2-49, 3-63, 3-65	48749	3-51
32598	3-75	386063	2-29, 3-111	49145	3-119
32720	3-51	386088	2-41, 2-43	49162	3-117
32746	2-3, 2-5	386230	2-3	49177	2-19, 2-21
32899	2-15, 2-31	386240	2-3	49263	3-5
32969	2-31	386250	2-3	49266	3-5
32980	2-29	386274	2-39	49694	3-35, 3-39
32984	2-27, 2-29	386299	3-21, 3-35, 3-39	49697	2-39, 3-45
33295	3-61, 3-63	386324	2-45	49800	3-19, 3-45, 3-117
33401	3-45	386364	3-67, 4-5	49826	2-61, 2-65, 3-9, 3-101, 3-115, 3-117, 3-123
33584	3-75	386391	2-41, 2-43	49891	2-53
33807	2-63	386652	3-65	49924	3-35, 3-39
33925	2-23, 2-25	386807	2-65	50335	2-39
33930	2-65, 3-21, 3-35, 3-39, 3-83, 3-95, 3-97, 3-123	386810	2-27, 2-29	51103	2-55
33932	3-67, 4-3	386847	2-57	51338	2-31
35843	2-33	390994	2-45	51339	2-31
360460	2-49	391345	2-59	51538	2-41, 2-43
360973	2-12, 3-101, 3-115, 3-124	391434	2-55, 3-47	51813	2-59
361076	2-17	392215	3-51	54333	3-65, 3-75, 3-105, 4-3
361144	1-1, 2-17	39239	2-61	54345	3-115
361339	3-49	39281	2-31	54390	2-31
363087	2-57	39283	2-9	54400	3-35, 3-39
		39285	2-23, 2-25	54577	2-31
		39308	3-21	54618	3-21
		39349	2-9, 2-27, 2-29, 2-31, 3-9, 3-13, 3-15, 3-85	55094	3-25
		39358	3-83	55248	3-115
		397779	3-49, 3-51, 3-77, 3-103	56166	2-15
		397889	3-29, 3-41, 3-117	57248	3-69
		397916	2-5	57379	3-61, 3-63

CROSS REFERENCE

Part Number	Page Number	Part Number	Page Number	Part Number	Page Number
57598	3-35, 3-39	79217	2-57	9018977	2-53
57702	3-79	79273-2	2-47	9018978	2-61
57772	3-103	79497	3-61, 3-63	9018979	3-103
579211	3-45	79506	3-85	9018980	3-101
58979	3-85	80409	3-23	9018981	3-103
58979*	3-95, 3-97	80491	2-41, 2-43	9018982	3-9
59658	2-49, 3-21	81672	3-35, 3-39	9018983	3-101
59668	2-33	81719	3-47	9019654*	3-95
59672	3-35, 3-39	81884	3-51	9019655*	3-97
603268	3-45	82831	2-27	9020070	2-59
605070	2-15, 2-31	830207	2-15	9020080	3-77
611221	3-83	86379	2-65	9020103	2-21
630146	2-47	86508	3-61, 3-63	9020107	3-7
630258	2-31	86773	3-51	9020109	3-5
630358	2-15	87172	2-7	9020139	3-124
63244-2	3-61, 3-63	87173	3-71, 3-105	9020146	3-126
63248-1	2-5	87419	2-5, 3-33, 3-37, 3-53	9020160	3-126
63248-2	2-5	87677	3-105, 3-109	9020161	3-126
63248-3	2-5	9006268	4-3	9020162	3-126
63248-4	2-5	9008155	3-77	9020163	3-126
63810	2-35, 2-37, 3-27, 3-61, 3-63, 3-65, 3-105	9008182	3-3, 3-45	9020164	3-126
63923	4-5	9009990	3-83	9020165	3-126
63987-1	3-75, 3-105	9010938	3-21	9020166	3-126
64425	2-41, 2-43	9010942	2-11	9020167	3-126
64778	3-75, 3-105	9010943	2-11	9020210	2-45
66211	2-31	9011054	3-21	9020211	2-49
66213	2-31	9013046	2-43	9020212	2-49
68567	2-37	9013047	2-43	9020213	2-61
69234	2-27	9013267	2-23	9020214	2-61
69784	3-61, 3-63	9013756	2-41	9020215	2-37
69972	3-79	9013757	2-43	9020216	2-9
69998	3-21	9013767	3-9	9020217	3-23
70158	2-31	9013795	3-9	9020218	2-53
70161	2-31	9014285	2-57	9020219	3-47
70651	2-11	9014338	3-65, 3-105	9020220	3-45
71274	2-55	9014344	3-27	9020221	3-53
71579	2-7	9014662	2-5	9020223	2-11
71607	2-41, 2-43	9014664	2-5	9020225	2-17
71628	3-65	9014666	2-3	9020227	2-17
72968	2-35	9014994	2-102	9020228	2-63
73342	3-65, 3-105	9014996	3-21	9020229	2-63, 3-41, 3-55
73468	3-65	9014997	2-25	9020230	3-29
74455	2-35, 2-37, 3-7, 3-115	9014998	2-11	9020231	2-31
76062	2-65	9014999	2-11	9020232	2-57
763045	2-7	9015002	2-63	9020233	1-1, 2-57
763064	3-21	9015632	2-23, 2-25	9020235	2-39
763114	2-12, 2-27, 2-29, 2-63, 3-29, 3-95, 3-97	9015633	2-12	9020237	1-1, 2-39
763115	3-95, 3-97	9015635	2-11	9020238	2-35
76426	3-65	9016496	2-35, 2-37, 3-27	9020239	2-39
76570	2-61	9016734	2-15	9020240	2-39
76653	2-31	9018436	3-13	9020241	2-45
76955	2-19, 2-21	9018832	3-123	9020242	2-35
769785	3-75	9018841	3-103	9020243	2-41
77272	2-57	9018842	3-103	9020244	2-41
77488	2-55	9018844	3-103	9020245	2-39
78398	3-63	9018847	3-103	9020247	3-23
78785	3-115	9018848	3-101	9020248	3-21
78840	3-65, 3-105	9018849	3-101	9020249	3-21
78841	3-65, 3-105	9018850	3-103	9020250	2-33
		9018853	2-47	9020251	2-33
		9018975	2-61	9020252	3-75

CROSS REFERENCE

Part Number	Page Number
9020253	2-33
9020255	3-47
9020256	3-47
9020257	3-49
9020258	3-67
9020260	3-69, 4-3
9020261	4-3
9020263	2-31
9020264	2-31
9020265	2-31
9020266	2-23, 2-25
9020267	2-23, 2-25
9020268	3-21
9020270	1-1
9020271	1-1
9020272	1-1
9020273	2-7
9020284	2-45
9020286	2-49
9020288	3-67
9020290	2-61
9020305	3-126
9020747	2-25
9020594	2-63
9020652	3-89, 3-91
9020698	3-111
9020747*	1-1
9021686	3-15
9021687	3-15

PART DESCRIPTION TO PAGE NUMBER CROSS REFERENCE LIST

A

- Actuator, 36v, 2.36in Stroke, 2-55
 Actuator, 36vdc, 2.08strk, 500lbs, 3-49
 Actuator, 36vdc, 2.75strk, 450lb, 3-21, 3-35, 3-39
 Actuator, 36vdc, 5.00strk, 1100lb, 2-33
 Adapter, Swivel, 1.75, Abs, 3-77
 Adaptor, Brush, 2-3, 2-5
 Alarm, 9-48vdc, 95 Db(A) [Ec-H20], 2-17
 Alarm, Backup, 12-48vdc, Adj, 3-5
 Angle, Latch, 2-19
 Angle, Mtg, Antenna, Telem, 3-83
 Angle, Mtg, Hopper, 3-47
 Angle, Rtnng, 3-117
 Angle, Sppt, Seat, 2-19, 3-125
 Angle, Stl, Perforated .03, 2-37
 Antenna, Telem [4g, 180"], 3-83
 Antenna, Telem, 110 In [Gprs], 3-83
 Antenna, Telem, 187 In [Gprs], 3-83
 Arm Kit, Sqge, Front, Lh, Afmkt, 2-43
 Arm Kit, Sqge, Front, Rh, Afmkt, 2-41
 Arm Kit, Sqge, Rear, Lh, Afmkt, 2-43
 Arm Kit, Sqge, Rear, Rh, Afmkt, 2-41
 Arm Wldt, 2-59
 Arm Wldt, Brush, 3-49
 Arm Wldt, Front, Lh, 2-43
 Arm Wldt, Front, Rh, 2-41
 Arm Wldt, Lh, 2-43
 Arm Wldt, Lift, 2-33
 Arm Wldt, Rear, Lh, 2-43
 Arm Wldt, Rear, Rh, 2-41
 Arm Wldt, Rh, 2-41
 Arm Wldt, Spring, Tension, 3-21
 Arm, Brush, Pre-Sweep, Idler, Lh, 3-51
 Arm, Spring, Tensioner, 3-21
 Assy, Seal, Mtg, Vacfan, 2-53
- B**
- Bag, Vacuum, Paper [1pick=1pkg(=10pc)], 1-1, 3-47
 Bar Wldt, Retainer, Sqge, Rear, 2-59
 Bar, Rnd, Plastic, 0.31D 08.5L, 2-45
 Base, Module, Light, 3-5
 Battery Kit, Li-Ion, 36v, 18.4kwh [UI], 3-95
 Battery Kit, Li-Ion, 36v, 38.8kwh [UI], 3-97
 Battery, Wet, 36Vdc, 510Ah, 3-87
 Battery, Wet, 36vdc, 510ah [W/Watering], 3-87
 Battery, Wet, 36Vdc, 625Ah (China Only), 3-87
 Battery, Wet, 36Vdc, 750Ah, 3-89
 Battery, Wet, 36vdc, 750ah [W/Watering], 3-89
 Battery, Wet, 36Vdc, 755Ah (China Only), 3-89
 Battery, Wet, 36Vdc, 930Ah, 3-91
 Battery, Wet, 36Vdc, 930Ah [Spw/Wi-lq], 3-93
- Battery, Wet, 36vdc, 930ah [W/Watering], 3-91
 Bearing Assy, W/Shaft, 3-51
 Bearing, Ball, 0.24b 0.51d 0.20w [2seal], 3-77
 Bearing, Ball, 0.59b 1.26d 0.35w[2seal], 3-51
 Bearing, Ball, 0.62b 1.38d 0.43w, 3-49
 Bearing, Ball, 0.67b, 1.85d, 0.55w, 2-23, 2-25
 Bearing, Ball, 0.79b 1.85d 0.55w, 2-39
 Bearing, Ball, 3.74b, 6.69d, 2.19w, 2-23, 2-25
 Bearing, Cone, 1.38b 0.71w, 2-31
 Bearing, Cup, 2.56d 0.55w, 2-31
 Bearing, Flng, 2hole, 0.75b, 2-11
 Bearing, Flng, 2hole, 0.75b [Nyl], 2-11, 3-13, 3-15
 Bearing, Flng, 2hole, 1.25b, 2-11
 Bearing, Journal, 0.75b 0.88d 0.75l, 2-11
 Bearing, Needle, 0.25b 0.88d 0.50w, 3-85
 Bearing, Pillowblock, 1.12b, 2-11
 Bearing, Split, 1.00b, 2-31, 3-49
 Bellcrank, Spring, Machined, 2-33
 Belt Kit, Drive, 2-39
 Belt Kit, Preswp, Afmkt [T17], 3-49
 Belt, Drive, 1-1, 2-39
 Belt, Kit, Cyl, Afmkt [T17], 1-1, 2-39
 Bezel, Headlight, Lh [W/Inserts], 3-3
 Bezel, Headlight, Rh [W/Inserts], 3-3
 Blade, Front Squeegee 56.6l (Gum), 2-59
 Blade, Front Squeegee 56.6l (Linard), 1-1, 2-59
 Blade, Front Squeegee 56.6l (Urethane), 1-1, 2-59
 Blade, Rear Squeegee 60.6l (Gum), 2-59
 Blade, Rear Squeegee 60.6l (Linatex), 1-1, 2-59
 Blade, Rear Squeegee 60.6l (Urethane), 1-1, 2-59
 Blade, Sqge, Sba, (Gum Rubber), 3-23
 Blade, Sqge, Sba, (Urethane), 3-23
 Blade, Sqge, Sba, Inner, 3-23
 Blade, Sqge, Sba, Inner, (Gum Rubber), 3-23
 Blade, Sqge, Sba, Inner, (Urethane), 3-23
 Blade, Sqge, Sba, Linatex, 3-23
 Blade, Sqge, Side, Linatex, 1-1, 2-41, 2-43
 Blade, Sqge, Side, Rubber (Option), 2-41, 2-43
 Blade, Sqge, Side, Ure, 1-1
 Blade, Sqge, Side, Urethane (Option), 2-41, 2-43
 Block, Cooling, Press Wash, 3-107
 Bolt, Eye, M10 X 1.50 X 064mm, 07.10 Eye, 2-57
 Bolt, Eye, M8 X 1.25 X 030mm, 08.00 Eye, 3-21
 Bolt, Eye, M8 X 1.25 X 070mm, 05.50 Eye, 2-41, 2-43
 Bolt, Shld, .41d X 0.35, M8 X 1.25, 3-75
- Boot, Circuitbreaker, 3-5
 Boot, Terminal, Battery, 25.4mm, Blk, 3-83
 Box, Wand, Vac (Trimmed), 3-115
 Bracket Weldmt, Mtg, Pump, 3-65
 Bracket Wldt, 2-59
 Bracket Wldt, Adj, Actuator, 3-49
 Bracket Wldt, Adjmt, 3-111
 Bracket Wldt, Brush, Adj, Lh, 3-53
 Bracket Wldt, Brush, Adj, Rh, 3-53
 Bracket Wldt, Corner, Lh, 3-45
 Bracket Wldt, Corner, Rh, 3-45
 Bracket Wldt, Deck, 3-23
 Bracket Wldt, Fan, 3-115
 Bracket Wldt, Hinge, 3-117
 Bracket Wldt, Lh, Mtg, Door, 2-7
 Bracket Wldt, Mgt [T17 Ec-H2o], 3-69
 Bracket Wldt, Mount, 3-47
 Bracket Wldt, Mtg, Bearing, Steering, 2-12
 Bracket Wldt, Mtg, Headlight, 3-45
 Bracket Wldt, Mtg, Motor, Sba, 3-33
 Bracket Wldt, Mtg, Ohg, 3-9, 3-101
 Bracket Wldt, Mtg, Platform, Front, 2-9
 Bracket Wldt, Mtg, Platform, Front, Rh, 2-9
 Bracket Wldt, Mtg, Telem, 3-83
 Bracket Wldt, Nozzle, 3-119
 Bracket Wldt, Pivot, Sba, 3-35, 3-39
 Bracket Wldt, Pivot, Sqge, 2-41, 2-43
 Bracket Wldt, Pump, 3-67, 3-75
 Bracket Wldt, Pump, Spray Hose, 3-75
 Bracket Wldt, Rh, Mtg, Door, 2-7
 Bracket Wldt, Roller, 3-119
 Bracket Wldt, Skid, Anti-Roll, 3-25, 3-119
 Bracket Wldt, Sppt, Motor, 3-107
 Bracket Wldt, Sppt, Seat, 3-101
 Bracket Wldt, Sppt, Tank, 2-19
 Bracket Wldt, Sppt, Wand, Vacuum, 3-111
 Bracket Wldt, Sqge Lift, Frame, 2-55
 Bracket Wldt, Sqge, Sba, 3-23
 Bracket Wldt, Step, Sba, 3-25, 3-119
 Bracket Wldt, Support, Brake, 2-15
 Bracket, Angle, Keeper, Cable, 3-35, 3-39
 Bracket, Arm, Sba, 3-35, 3-39
 Bracket, Brake, Front, 2-15
 Bracket, Brg, 2-11
 Bracket, Brg, Steering (Only used with old Power Steering Motors), 3-13
 Bracket, Bumper, 2-53
 Bracket, Bumper, Lh, Squeegee [T17], 3-79
 Bracket, Bumper, Rh, Squeegee [T17], 3-79
 Bracket, Catch, Cover, Saffey Rod, 3-45
 Bracket, Cell, Fuel, 3-101
 Bracket, Connector, Anderson, 3-95, 3-97
 Bracket, Controller [Pendant], 3-101
 Bracket, Ele, Cb, 2-17
 Bracket, Ele, Circuitbreaker, 2-17
 Bracket, Fire Extinguisher, 3-124
 Bracket, Front, Battery, 3-87, 3-89, 3-91, 3-93
 Bracket, Latch, 3-125

CROSS REFERENCE

Bracket, Latch [T17], 2-61
Bracket, Latch, Cover, 3-19
Bracket, Latch, Dbl Scb, Sqge, Side, 2-41, 2-43
Bracket, Latch, Lh, 3-45
Bracket, Latch, Lh Panel [T17], 2-53
Bracket, Latch, Rh, 3-45
Bracket, Mirror, 3-115
Bracket, Mount, Camera (Pro-panel Only), 2-12
Bracket, Mount, Sba Valve, 3-27
Bracket, Mtg, Base, Battery, Disconnect, 3-95, 3-97, 3-123
Bracket, Mtg, Battery, Disconnect, 3-95, 3-97, 3-98, 3-123
Bracket, Mtg, Contactor, 2-65
Bracket, Mtg, Cover, Recvy Tank, 2-49
Bracket, Mtg, Filter Hsg, 2-47
Bracket, Mtg, Fitting, Qdc, 3-61, 3-63
Bracket, Mtg, Ftg, Auto Fill, 3-61, 3-63
Bracket, Mtg, Hose, 2-51
Bracket, Mtg, Latch, Keeper, 3-111, 3-117
Bracket, Mtg, Pedal, Painted, 2-15
Bracket, Mtg, Steering, 3-11
Bracket, Mtg, Tank, Detergent, 3-67
Bracket, Mtg, Tank, Recvy, Lh, 2-49
Bracket, Mtg, Tank, Recvy, Rh, 2-49
Bracket, Mtg, Tank, Soltn, Front, 2-45
Bracket, Mtg, Tank, Soltn, Rh, 2-45
Bracket, Mtg, Valve, Drain, 3-81
Bracket, Pawl, Handle, 2-45
Bracket, Protector, Float Switch, 2-49, 3-63, 3-65
Bracket, Pump, 3-27, 3-69
Bracket, Retain, Hinge, Cover, 2-49, 3-103
Bracket, Retainer, Spring, 2-3, 2-5
Bracket, Shaft Bearing, Steering, 3-15
Bracket, Sppt, Debris Tray [T17/M17], 2-37
Bracket, Sppt, Hose, Drain, 2-49
Bracket, Sppt, Motor, 3-13, 3-15
Bracket, Sppt, Wand, Vac, 3-111
Bracket, Strainer, Pump, Es, 3-65
Bracket, Switch, Anderson, 3-95, 3-97
Bracket, Valve, Large, 4-3
Brake Assy, Drum, Mech, 07.9d [6600], 2-31
Brake Kit, Repair, 2-31
Brake Kit, Replmt, Afmkt[T17/M17], 2-15
Brake Rod Kit, Afmkt [T17], 2-31
Brkt Kit, Press Wash, Afmkt [T/M17], 3-103
Brkt, Lanyard, 3-117
Brkt, Mtg, Latch, 3-117
Brush Assy, Disk, Scb, 16.0d, Heavy Duty Polypropylene, 2-5
Brush Assy, Disk, Scb, 16.0d, Nylon, 2-5
Brush Assy, Disk, Scb, 16.0d, Polypropylene, 2-5
Brush Assy, Disk, Scb, 16.0d, Super Abrasive, 2-5
Brush Assy, Disk, Scb, 20.0d, Nylon, 2-3
Brush Assy, Disk, Scb, 20.0d, Polypropylene, 2-3

Brush Assy, Disk, Scb, 20.0d, Super Abrasive, 2-3
Brush Assy, Disk, Scrub, 16.0 D, Polypropylene
(Replaced by 1220241), 2-5
Brush Assy, Disk, Scrub, 16.0D, Heavy Duty Polypropylene
(Replaced by 1220236), 2-5
Brush Assy, Disk, Scrub, 16.0D, Nylon
(Replaced by 1220235), 2-5
Brush Assy, Disk, Scrub, 16.0D, Super Abrasive
(Replaced by 1221543), 2-5
Brush Assy, Disk, Scrub, 20.0 D, Nylon, 2-3
Brush Assy, Disk, Scrub, 20.0 D, Super Polypropylene, 2-3
Brush Assy, Disk, Scrub, 20.0 D, Super Abrasive, 2-3
Brush Kit, Hub Assy, Drive, Ci [Hdpe In], 2-5
Brush Kit, Hub Assy, Drive, Ci [Hdpe], 2-5
Brush Kit, Hub Assy, Drive, Ci [Uhmw], 2-3
Brush Kit, Motor, Fan, 2-53, 3-47
Brush, Disk, Sweep, 19.0D, Polypropylene, 2-5
Brush, Disk, Swp, 19.0d, Pyp, 3-33, 3-37, 3-53
Brush, Scrub, 39l, 20sr, Nylon, Spiral, 2-3
Brush, Scrub, 39l, 20sr, Polypropylene, Spiral, 2-3
Brush, Scrub, 39l, 20sr, Super Abrasive, Spiral, 2-3
Brush, Sweep, 28L, Wedge, Polypropylene, Spiral, 2-5
Brush, Swp, 28l, Wedge, Pyp, Spiral, 3-49
Bumper Kit, Rear, Afmkt [T17], 2-7
Bumper, Rbr, 1.0d 0.38th .25-20, 2-53
Bumper, Rbr, 1.5d 0.63 0.31h, 3-45, 3-53
Bumper, Strip, 1.0, 2-7
Bumper, Ure, 1.50d 1.25l, 3-79
Busbar, 200a, 2-65
Bushing, Flex, Ure, 3-53
Bushing, Flng, 0.44b 1.25d 0.25l, 2-57
Bushing, Flng, 0.50b 0.59d 0.25l, 3-21
Bushing, Flng, 0.50b 0.59d 0.38l, 2-33
Bushing, Flng, 0.63b 0.72d 0.25l, 2-15, 2-55
Bushing, Flng, 0.63b 0.75d 0.38l, 2-41, 2-43, 2-55
Bushing, Flng, 0.88b 1.0d 0.37l, 2-33
Bushing, Flng, 0.88b 1.0d 0.50l, 2-33
Bushing, Flng, 1.00b 1.13d 0.75l, 2-15
Bushing, Flng, 1.00b 1.13d 1.00l, 3-21
Bushing, Flng, 1.25b 1.41d 0.50l, 2-33
Bushing, Flng, 1.75b 1.94d 1.50l, 3-21
Bushing, Sleeve, 0.63b 0.72d 0.38l, 2-41, 2-43
Bushing, Sleeve, 1.00b 1.13d 1.750l, Fgl, 3-75
Bushing, Sleeve, Flng 0.40b 0.625d 1.62l, Ss, 2-55

C

Cable Assy, Battery 4/0ga [T17, M17], 3-95, 3-97
Cable Assy, 02ga [T18/T17, Propel], 2-29
Cable Assy, 02ga, Power [T18, 2 Cond.], 2-65
Cable Assy, 04ga, Fuse [Press Wash, M17], 3-108
Cable, 04ga 6.9l Blk [M6 Ring/M6 Ring], 2-65
Cable, 04ga 9.8l Blu [M5 Ring/M6 Ring], 2-65
Cable, 1/0ga 48.2l Blk[M9 Ring/.25 Ring], 3-83
Cable, 2/0ga 61.0L Blk[M6 Ring/M9 Ring], 3-83
Cable, Battery, 1/0ga [M8 Ring/M6 Ring], 2-65
Cable, Battery, 1/0ga [Telem, T17], 3-83
Cable, Battery, 2/0ga [M17, Telem], 3-83
Cable, Camera, 197.0L [Hvs] (Pro-panel Only), 2-12
Cable, Glv .06d 012.0l .26eye /.26eye, 3-79
Cable, Glv .13d 010.0l .52eye /.52eye, 2-7
Cable, Push / Pull, 052.6L .25-28/.25-28, 2-31
Cable, Ss .12d 22.6l .2clevis /.2clevis, 2-55
Cable, Ss, .09d 10.35l .38eye/M6-1.0, 3-35, 3-39
Cable, Ss, .09d 7.87l .50eye/.50eye, 3-35, 3-39
Cam, Adj, Brush, 2-39
Cam, Rear, 2-59
Camera, Color, Fixed (Pro-panel Only), 2-12
Cap, Hub, Dust, 2.57d 0.77l, 2-31
Cap, Tank, 3-67
Cap, Usb, Universal, 2-11
Cap, Usb, Universal (Pro-panel Only), 2-12
Capacitor, Plug [.01 Uf, 200v], 3-69
Capacitor, plug [0.1 Uf, 200V] (With Scrubbing side brush), 2-102
Caster Assy, Sq, Rear, Afmkt [T17], 1-1
Caster Kit, Rear Squeegee, Am, 2-57
Caster, Assy, Sq, Rear, Afmkt [T17], 2-57
Chain, Double, 3/8 Pitch, Transmission, 2-23, 2-25
Chain, Rlr, 35 X 41 Pitches, 2-11
Channel Assy, Lift, Sba, Afmkt [T17], 3-21
Channel Wldt, Bumper, 2-7
Channel Wldt, Bumper, Ballast, 3-99
Channel Wldt, Sppt, Steering, 2-9
Channel Wldt, Steering, 2-9
Charger Kit, 36vdc/80a, 200-240vac 1ph (International Only), 3-89
Charger Kit, 36vdc/80a, 200-240vac 1ph (International Only), 3-91
Charger, 36 Vdc 195A 400Vac [Opportunity] - (China Only), 3-93

- Charger, 36 Vdc/240A, 480Vac [Opportunity], 3-93
 Charger, 36Vdc 100A 480vac 3Ph, 3-98
 Charger, 36Vdc 215A 480Vac 3Ph, 3-98
 Charger, 36Vdc 80A 200-240Vac 1Ph, 3-98
 Charger, 36Vdc 80A 200-240Vac 3Ph, 3-98
 Charger, 36vdc/100a, 200-240vac 3ph, 3-89, 3-91
 Charger, 36vdc/120a, 380-415vac 3ph (International Only), 3-89, 3-91
 Charger, 36vdc/120a, 480vac 3ph, 3-89, 3-91
 Charger, 36vdc/80a, 200-240vac 1ph, 3-87
 Charger, 36vdc/80a, 200-240vac 3ph, 3-87
 Charger, 36Vdc/a60A, 600Vac, 3Ph, 3-87, 3-89, 3-91
 Circuit Board Kit, Ec-H2o, Afmkt [T17], 4-3
 Circuit Board Kit, H2o, Afmkt [T17], 3-41
 Circuit Board Kit, H2o, Afmkt [T17], 3-55
 Circuit Board Kit, Sba, Afmkt [T17], 3-29
 Circuit Board Kit, Scrub, Afmkt [T17], 2-63
 Circuit Board Kit, Water, Afmkt [T17], 2-63
 Circuitboard Kit, Scrub, Afmkt [T17/M17], 2-63
 Circuitbreaker, 02.5a, Resetable, 2-63, 3-3, 3-5, 3-7, 3-29, 3-55, 3-69
 Circuitbreaker, 15.0a, Resetable, 3-3, 3-5, 3-11, 3-55, 3-75, 3-108
 Circuitbreaker, 15a, Resetable, 3-7
 Circuitbreaker, 20.0a, Resetable, 3-41
 Circuitbreaker, 35.0a, Resetable, 3-29
 Circuitbreaker, 50.0a, Resetable, 3-55
 Circuitbreaker, 60.0a, Short Handle, 2-63
 Clamp Bracket, Distribution, 2-37
 Clamp Wldt, Rear, 2-59
 Clamp, Cable, 2-29
 Clamp, Cable, Nyl, 0.31d, Blk, 2-61
 Clamp, Cable, Nyl, 0.62d, Nat, 3-83
 Clamp, Cable, Ss, 0.50d X 0.50w [Insul], 2-35
 Clamp, Cable, Stl, 0.56D X 0.38W, 1 Hole, 3-23
 Clamp, Cable, Stl, 0.63d X 0.50w, 1hole, 3-75
 Clamp, Cable, Stl, 0.75d X 0.75w, 1hole, 2-35
 Clamp, Cable, Stl, 0.90D X 0.62W, 1 Hole, 2-65, 3-123
 Clamp, Cable, Stl, 0.90d X 0.62w, 1hole, 2-61, 3-83
 Clamp, Cable, Stl, 1.00d X 0.75w, 1hole, 2-27
 Clamp, Cable, Stl, 3.25d X 1.00w, 1hole, 2-51
 Clamp, Hose, Wormdrive, , 0.25-0.62D, .31W, 3-69
 Clamp, Hose, Wormdrive, 0.25-0.62d, .31w, 3-27, 3-67, 3-69, 3-71, 3-105, 3-107, 4-3
 Clamp, Hose, Wormdrive, 0.31-0.88d, .31w, 3-65, 3-75, 3-105, 4-3
 Clamp, Hose, Wormdrive, 0.56-1.06d, .56w, 2-35, 2-37, 3-27, 3-61, 3-63, 3-65, 3-105
 Clamp, Hose, Wormdrive, 0.81-1.50d, .50w, 2-47, 3-61, 3-63
 Clamp, Hose, Wormdrive, 1.06-2.00d, .56w, 2-47
 Clamp, Hose, Wormdrive, 1.56-2.50d, .50w, 3-81
 Clamp, Hose, Wormdrive, 2.62-3.50d, 3-27, 3-115
 Clamp, Hose, Wormdrive, 4.63-5.50, 0.5w, 2-51, 3-81
 Clamp, Hose, Wormdrive, 5.56-6.50d, .56w, 2-53
 Clamp, Sppt, Wire, 2-29
 Clamp, Valve, U-Bolt, 3-81
 Clevis, 0.31d X 0.75l, 2-41, 2-43
 Clevis, Adj, 0.25pin, 0.25-28 Rh, Pl, 2-15, 2-31
 Clevis, Adj, 0.38pin, 0.31-24, Lh, Pl, 2-31
 Clevis, Adj, 0.38pin, 0.31-24, Pl, 2-31
 Clip, Grip, Finger, 0.31-0.75d, Nk Pl, 3-47, 3-103
 Clip, Grip, Hose, 0.75 - 1.12, Stl, Blk, Vyl, 3-77
 Clip, Tie, 0.25d, Plstc, 2-9, 2-27, 2-63, 3-7, 3-25, 3-27, 3-33, 3-35, 3-37, 3-39, 3-67
 Connector Kit, Tubing, 4-5
 Connector, 350a, Gray, 2-65, 3-87, 3-89, 3-91, 3-93, 3-98
 Connector, Anderson, 175a, Gray, 3-95, 3-97
 Contactor, 36vdc, 100a, Sp, No, 2-27, 2-29
 Contactor, 36vdc, 200a, Spst, 2-65
 Controlbox Assy, Telem [3g, Intl.], 3-83
 Controlbox Assy, Telem [Canada], 3-83
 Controlbox Assy, Telem [Int], 3-83
 Controlbox Assy, Telem [Usa, 4g], 3-83
 Controller, Battery, Li-Ion, 36vdc [Bms], 3-95, 3-97
 Controller, Propel [36vdc,200a, I-Drive], 3-107
 Controller, Propel [Ac, 36v, 275a], 2-27, 2-29
 Controller, Steering, 36v, 3-11
 Cord, Battery Cover [T17], 2-61
 Coupling Wldt, Sqge, Front, 2-57
 Coupling Wldt, Sqge, Rear, 2-57
 Cover Assy, Battery, Tj [T17] (Japan Only), 2-61
 Cover Assy, I-Drive, 3-107
 Cover Assy, Rec Tank, Afmkt [T17], 2-49
 Cover Assy, Rec Tank, Tj Afmkt [T17] (Japan Only), 2-49
 Cover Assy, Tank, Sol, Afmkt [T17], 2-45
 Cover Assy, Tank, Sol, Tj Afmkt [T17] (Japan Only), 2-45
 Cover Kit, Belt, Cyl, Afmkt [T7] (2 Kits Required), 2-39
 Cover Kit, Press Wash, Afmkt [T/M17], 3-103
 Cover Wldt, Enclosure, Electrical, 2-63
 Cover Wldt, Sba, 3-25, 3-119
 Cover, Assy, Battery [T17/M17], 2-61
 Cover, Battery, Fuel Cell, Afmkt [T/M17], 3-101
 Cover, Battery, Fuel Cell, Ohg [T/M17], 3-101
 Cover, Battery, Ohg [T/M17], 3-9
 Cover, Battery, Pw, Dv, Na [T/M17], 3-103
 Cover, Battery, Pw, Dv, Ohg [T/M17], 3-103
 Cover, Battery, Top, Afmkt [T17], 2-61
 Cover, Battery, Trimmed [Washer/Vac], 3-113
 Cover, Belt, 2-39
 Cover, Belt, Pre-Sweep, 3-49
 Cover, Bms, 36v, 3-95, 3-97
 Cover, Enclosure, Electrical, 2-63
 Cover, Handle, 2-59, 3-35, 3-39
 Cover, Inlet, Wand, Vac (M17,Trimmed), 3-111
 Cover, Inlet, Wand, Vac [M17,Trimmed], 3-111
 Cover, Module, Light, 3-5
 Cover, Motor, Preswp, Afmkt [T17], 3-53
 Cover, Motor, Sba, Afmkt[T17], 3-23
 Cover, Ohg, Trim, Lh, 3-9
 Cover, Ohg, Trim, Rh, 3-9
 Cover, Plug, Idler, 3-9
 Cover, Presweep (As Trimmed) [T17], 3-45
 Cover, Preswp, Afmkt [T17], 3-45
 Cover, Side Rh, Afmkt [T/M17], 2-61
 Cover, Side Rh, Afmkt [T17], 2-61
 Cover, Side, Lh, Afmkt [T/M17], 2-53
 Cover, Side, Lh, Afmkt [T17], 2-53
 Cover, Side, Lh, Fuel Cell, Afmkt [T/M17], 3-101
 Cover, Side, Rh, Fuel Cell, Afmkt [T/M17], 3-101
 Cover, Sidebrush, Sweeping, 3-33, 3-37
 Cover, Transmission, 2-23, 2-25
 Cover, Wand, Vac (Trimmed), 3-117
 Cover, Wash, Press [I-Drive], 3-107
 Crank Replacement Kit, 4-5
 Cuff Assy, Outer, Drain Hose, 2-51
 Cuff, Adapter, 1.75 X 2.50, Pvc, 3-77
 Cuff, Adapter, 2.75 X 3.00, Pvc, 2-59
 Cuff, Hose, 5.0 / 2.0 Id, 3-81

D

- Device, Centering, 2-3
 Device, Centering, Clip On, TI [Gf Pp], 2-3, 2-5
 Diode, Ele, Plug, 2-17, 3-75, 3-108
 Disk, Driver, Pad, W/ Face, 20.0d, 2-3
 Disk, Pad Drive, W/ Face, 20d, 2-3
 Door Assy, Idler, Cyl, Afmkt [T17] (2 Kits Required), 2-39
 Door Wldt, Brush, Lh, 2-7
 Door Wldt, Brush, Rh, 2-7
 Door Wldt, Mtg, Sba, 3-25
 Door, Frame, 3-101
 Driver Assy, Pad, 16.0d, 2-5

CROSS REFERENCE

Driver Assy, Pad, 16D
(Replaced by 1220199), 2-5
Driver Assy, Pad, 20.0D, 2-3
Drum, Cable, Lift, 2-55
Dvd, Operator [T17], 3-126

E

Ec-H20 Module Kit, Afmkt [T17] (See Breakdowns), 3-69
Ec-H20 Module Kit, Afmkt [T17], 4-3
Electrode, 5 Plate, High Flow, 4-3
Electrode, Cylindrical, 4-3
Extinguisher, Fire, 2.5 Lb Dry, 3-124

F

Fan, Vacuum, 5.7d, 036vdc, 1 Stage, 3-115
Fan, Vacuum, 6.6d, 036vdc, 1 Stage [Bpt], 2-53, 3-47
Fastener, 11.00l [Hook & Loop], 2-29, 2-59
Fastener, 8.0l [Hook And Loop], 3-69
Filter Element, Water [M/T17], 2-47
Filter, Panl, Dust, 2.0 X 06.1 X 07.6, 1-1, 2-49
Filter, Screen, 080 Mesh, In-Line, 2-47
Filter, Soltn, 080mesh, Pm12 3.2s 17.5l, 3-63
Filter, Wand, Vac, 3-117
Filterbox Wldt, Presweep, 3-47
Fitting, Brs, E90, Bm06/Pm06, Short, 3-75
Fitting, Brs, E90, Bm06/Pm06, Short, 3-105, 3-107
Fitting, Brs, E90, Em08/Pm06, 3-75
Fitting, Brs, E90, Pf06/Pm06, Spcl, 3-75, 3-105, 3-107
Fitting, Brs, Qdc, Bm12/Qf08, 3-61, 3-63
Fitting, Brs, Qdc, Pf08, 3-61, 3-63
Fitting, Brs, Snubber, Pm02/Pf02, 3-69
Fitting, Brs, Str, Bm06/Pf08, 3-105
Fitting, Brs, Str, Bm06/Pm02, 4-3
Fitting, Brs, Str, Pf06/Pm04, 3-103
Fitting, Brs, Str, Pf06/Pm08, 3-107
Fitting, Brs, Str, Pf06/Pm12, 3-75
Fitting, Brs, Str, Pm02, Plug [Skhd], 3-69
Fitting, Brs, Str, Pm04/Pm06 [Hp], 3-103, 3-107
Fitting, Brs, Str, Pm06/Pm06, 3-107
Fitting, Brs, Str, Pm08/Garden Hose, 3-61, 3-63
Fitting, Coupler, Hose, Shank, Fem, 3-81
Fitting, Grease, Str Pm04 .47l, 2-23, 2-25
Fitting, Pipe, Plug, Pm08, Sq Head, 3-61
Fitting, Plstc, E45, Pf12/Pf12, 3-61, 3-63
Fitting, Plstc, E90, Bm04 Cplg Male, 3-69
Fitting, Plstc, E90, Bm04/Pm04, Nyl, 3-71
Fitting, Plstc, E90, Bm05/Pm02, Nyl, 4-3
Fitting, Plstc, E90, Bm06/Bm06, 3-67
Fitting, Plstc, E90, Bm06/Pm04, Nyl, 3-69
Fitting, Plstc, E90, Bm06/Pm06, 3-105

Fitting, Plstc, E90, Bm06/Pm06, Nyl, 3-27, 3-67, 3-69, 3-71
Fitting, Plstc, E90, Bm08/Bm08, 3-75, 3-105
Fitting, Plstc, E90, Bm08/Pm06, 3-75, 3-105
Fitting, Plstc, E90, Bm10/Pm06, 3-27
Fitting, Plstc, E90, Bm10/Pm12, 3-65
Fitting, Plstc, E90, Bm12/Pm08, 3-61, 3-63
Fitting, Plstc, E90, Bm12/Pm12, 3-63, 3-65
Fitting, Plstc, E90, Bm16/Pf8, 3-61, 3-63
Fitting, Plstc, E90, Bm16/Pm12, 2-47, 3-61, 3-63
Fitting, Plstc, E90, Bm16/Pm16, 2-47
Fitting, Plstc, Pf04/Pf04/Pf04, 3-71
Fitting, Plstc, Pf12/Pf12, Bh, 2-45, 3-65
Fitting, Plstc, Rst, 3-71
Fitting, Plstc, Rst, Main Head, 3-71
Fitting, Plstc, Str, Bm04, Cplg, Male, 3-69, 3-71
Fitting, Plstc, Str, Bm04, Cplg, Fem[Tco], 3-71
Fitting, Plstc, Str, Bm04/Bm06, 3-69, 3-71
Fitting, Plstc, Str, Bm05, Cplg, Fem, 3-69, 3-71
Fitting, Plstc, Str, Bm06, Cplg, Fem, 3-69, 3-71
Fitting, Plstc, Str, Bm06, Cplg, Male, 3-69
Fitting, Plstc, Str, Bm06/Bm06, 3-27, 3-67
Fitting, Plstc, Str, Bm06/Bm08, 3-105
Fitting, Plstc, Str, Bm06/Bm10, 3-105
Fitting, Plstc, Str, Bm06/Pm06, 3-27, 3-69, 3-107
Fitting, Plstc, Str, Bm10/Pm12 [Nylon], 3-65
Fitting, Plstc, Str, Bm12/Pm08, Nyl, 3-63
Fitting, Plstc, Str, Bm12/Pm12, 2-47
Fitting, Plstc, Str, Bm16/Pm12, 3-61, 3-63
Fitting, Plstc, Str, Pf12/Pf12, 3-65
Fitting, Plstc, Str, Pm04, Cplg, Mal[Tco], 3-71
Fitting, Plstc, Str, Pm04/Pm04, 3-71
Fitting, Plstc, Str, Pm08/Pm08, 3-61, 3-63
Fitting, Plstc, Str, Pm08/Pm12, Nyl, 3-61, 3-63
Fitting, Plstc, Str, Pm12/Pm12 Close, 3-61, 3-63
Fitting, Plstc, Tee, Bm04/Bm04/Bm04, 2-35
Fitting, Plstc, Tee, Bm06/Bm06/Bm06, 3-71, 3-105
Fitting, Plstc, Tee, Bm16/Pf12/Bm16, Br, 3-61, 3-63
Fitting, Plstc, Tee, Pf08/Pf08/Pf08, 3-61, 3-63
Fitting, Plug, Pm06, Hdpe, 2-47
Fitting, Ss, Qdc, Fem, 3-103
Fitting, Ss, Qdc, Mal, 3-103, 3-107
Fitting, Stl, Pm04/Pm02/Pm04/Pm02, Spcl, 3-69
Fitting, Stl, Str, Bm06/Pm06, Swivel, 3-75
Fitting, Swivel, Str, Pf06/Pm06, Brs, 3-75
Flap, Resistor, Check Valve, 3-65

Flap, Restrictor, Check Valve, 3-105
Flapper, Valve, Pump, Water, 3-65, 3-105
Frame Wldt, Brush, Pre-Sweep, 3-47
Frame Wldt, Main [T17], 2-7
Fuse, 002a, 250vdc, Cartridge, 3-83
Fuse, 100a, 0.88 2.4l, 125volt, 2-65
Fuse, 100A, 58Vdc, 3-108
Fuse, 150a, 0.88 2.4l [Slo-Blo], 2-65

G

Gasket, .25 1.88d 1.0id [Poron], 3-65, 3-105
Gasket, .50, 3.94id 5.08od, Adh [Poron], 3-115, 3-117
Gasket, .75, 03.94w 04.92l, Adh[Nitrile], 3-47
Gasket, .75, 03.94w 08.58l, Adh[Nitrile], 3-45
Gasket, Base, Module, 3-5
Gasket, Belt, Cover, 2-39
Gasket, Box, Filter, 3-45
Gasket, Cushion, Side Squeegee Door, 2-41, 2-43
Gasket, Hose, 3-111
Gasket, Inlet, Vac Wand, 3-117
Gasket, Steering, Transmission, 2-23, 2-25
Gasket, Ure, .16, 3.23id 3.63od, 2-59
Gasspring, 90lb, 3.15strk, 3-103
Grip, Handle, Valve, 3-81
Grip, Lock, 2-59
Grommet, Blind, 4-3
Grommet, Pye, 0.37id, F/1.5h, .13 Matl, 3-67
Grommet, Rbr, 0.62id, F/0.9h, .12 Matl, 3-7
Grommet, Rbr, 1.31id, F/1.6h, .12 Matl, 2-9
Grommet, Rbr, 1.62id, F/1.9h, .13 Matl, 3-115
Guard Wldt, Top, Ohg, 3-9
Guard, Fan, 3-117
Guard, Light, Revl / Strobe, 3-7
Guide, Cable, Sqge Lift, 2-55
Guide, Sqge, Side, 2-41, 2-43

H

Handle, 2-45
Handle Kit, Wand, Afmkt, 3-77
Handle, Door, 3-47, 3-117
Handle, Gun, Trigger, 3-103
Handle, Panel, 2-17
Handle, Valve, 3-81
Handle, Wand, Dry Vac, Lh, 3-111
Handle, Wand, Dry Vac, Rh, 3-111
Harness Kit, Main, Afmkt [T17], 2-102
Harness, Cable, Propel Motor [T17] (Replaced by 9015274), 2-27
Harness, Cntrl, Battery [M17, T17], 3-95, 3-97
Harness, Ele, [Side Sweep, T17], 3-43

Harness, Ele [Can Adaptor, T17], 2-102
 Harness, Ele [Dry Vac, M17/T17], 3-121
 Harness, Ele [Ec-H20, T12], 3-72
 Harness, Ele [Power Steering, T17], 3-18
 Harness, Ele [Pressure Washer, M17/T17], 3-109
 Harness, Ele [Presweep, Base, T17], 3-58
 Harness, Ele [Presweep, Head, T17], 3-58
 Harness, Ele [Side Scrub, T17], 3-31
 Harness, Ele [Steering, M17/T17], 3-18
 Harness, Ele [Telemetry, T17], 3-83
 Harness, Ele, Ech2o [T12 Module], 4-3
 Harness, Ele, Fuse [Dry Vac, M17/T17], 3-121
 Harness, Ele, Main, 2-102
 Harness, Ele, Main [M17/T17], 2-102
 Harness, Ele, Ohg [T12], 3-7
 Harness, Ele, Propel Motor [M17, T17], 2-29
 Harness, Ele, Propel Motor [T17] (Replaced by 9015274), 2-27
 Harness, Ele, Scrub motors [T17, Ferrite], 2-102
 Harness, Wire, Alarm / Light [T16], 3-5
 Head Wldt, Disk, 2-35
 Hinge Wldt, [T12], 2-53, 2-61
 Hinge Wldt, Cover, 3-117
 Hinge Wldt, Cover, Battery, 3-103, 3-113
 Hinge Wldt, Cover, Battery [T17], 2-61
 Hinge Wldt, Rh [T17], 2-61
 Hinge, .25pin .07 2.5w 16.0l, Pl, 3-45
 Hinge, Leaf [T7, 5680/5700], 3-117
 Hinge, Wldt, Lh, 2-53
 Holder Wldt, Blade, Lh, 2-43
 Holder Wldt, Blade, Lh (Repl by 9013757), 2-43
 Holder Wldt, blade, Rh, 2-41
 Holder Wldt, Blade, Rh (Repl by 9013756), 2-41
 Hook Wldt, Latch, 2-39
 Hopper, Debris, Trimmed, 2-37
 Hopper, Pre-Sweep, Rm-Cptl, Trimmed, 3-47
 Hopper, Preswp, Afmkt [T17], 3-47
 Horn, 36vdc, 110dba, 2-7
 Hose Assy, Drain, 3.0 Id 35 L, 1-1, 2-51
 Hose Assy, Drain, 3.0 Id 64 L, 2-51
 Hose Assy, Drain, 3.0 Id 65 L, 2-51
 Hose Assy, Rear Squeegee, 1-1, 2-59
 Hose Assy, Sqge, W/2cuff, 3-77
 Hose Assy, W/1 Cuff, 2.0 Id 120.0 L, 3-81
 Hose Kit, Brush, Side [T17], 3-27
 Hose Kit, Press Wash, Afmkt [T/M17], 3-103
 Hose Kit, Spray, Afmkt [T17], 3-75
 Hose Trap Assy, 2-59
 Hose, Afmkt, Pvc, Brd, 0.25ld, 01Ft, 2-35, 3-71
 Hose, Afmkt, Pvc, Brd, 0.25ld, 03Ft, 3-69, 3-71
 Hose, Afmkt, Pvc, Brd, 0.25ld, 08Ft, 3-71
 Hose, Afmkt, Pvc, Brd, 0.25ld, 08ft, Clr, 3-69

Hose, Afmkt, Pvc, Brd, 0.38ld, 01ft, Clr, 3-107
 Hose, Afmkt, Pvc, Brd, 0.38ld, 02ft, Clr, 3-69, 3-105
 Hose, Afmkt, Pvc, Brd, 0.38ld, 03ft, Clr, 3-27, 3-71
 Hose, Afmkt, Pvc, Brd, 0.38ld, 08ft, Clr, 3-27, 3-69, 3-105
 Hose, Afmkt, Pvc, Brd, 0.38ld, 12ft, Clr, 3-105
 Hose, Afmkt, Pvc, Brd, 0.38ld, 20ft, Clr, 3-67
 Hose, Afmkt, Pvc, Brd, 0.50ld, 08ft, Clr, 3-105
 Hose, Afmkt, Pvc, Brd, 0.50ld, 12ft, Clr, 3-75
 Hose, Afmkt, Pvc, Brd, 0.62ld, 02ft, Clr, 3-27
 Hose, Afmkt, Pvc, Brd, 0.62ld, 03ft, Clr, 3-105
 Hose, Afmkt, Pvc, Brd, 0.62ld, 08ft, Clr, 3-65
 Hose, Afmkt, Pvc, Brd, 0.75ld, 03ft, Clr, 3-65
 Hose, Afmkt, Pvc, Brd, 01Ft, Clr, 4-3
 Hose, Afmkt, Pvc, Wir, 0.75 Id, 03Ft, Clr, 2-35
 Hose, Afmkt, Pvc, Wir, 0.75ld, 03ft, Clr, 2-37
 Hose, Afmkt, Pvc, Wir, 0.75ld, 08ft, Clr, 3-61, 3-63
 Hose, Afmkt, Pvc, Wir, 1.00ld, 01Ft, Clr, 2-47
 Hose, Afmkt, Pvc, Wir, 1.00 Id, 03ft, Clr, 3-61, 3-63
 Hose, Pvc, Brd, 0.38ld, 01Ft, Clr, 4-3
 Hose, Rbr, 25ft, 3-103
 Hose, Vacuum, 3.00ld X 132l, 2 Cuff, 3-111
 Housing Wldt, Brg, Pre-Sweep, 3-49
 Housing Wldt, Pivot, 3-53
 Housing Wldt, Sba, Lh, 3-39
 Housing Wldt, Sba, Rh, 3-35
 Housing Wldt, Scb, Cyl, 2-37
 Housing, Bottom, 4-3
 Housing, Fing, Brg, 3-51
 Housing, Input [As Machined], 2-23, 2-25
 Housing, Output, Machined, 2-23, 2-25
 Housing, Sqge, Holder, Wheel, F/609648, 3-77
 Housing, Upper, Module, High Flow, 4-3
 Hub, Drive, Brush, Disk, 0.75b [6t], 2-35, 3-23
 Hub, Drive, Brush, Disk, 3 Hole 5.8Bc, 2-5

I

Inductor, 12.7mmid [156 Imp At 25mhz], 3-107
 Inductor, 18mmid [225 Imp At 25mhz], 3-95, 3-97
 Inductor, 12.7Mm [156 Imp At 25Mhz], 3-11, 3-49

Inductor, 12.7mmid [156 Imp at 25Mhz] (Europe, Australia, Canada Only), 2-29, 2-53
 Inductor, 18mmid [225 Imp At 25mhz] (Australia Only), 2-29
 Inductor, 32.0mml [Ferrite 0-300mhz] (Pro-panel Only), 2-12
 Inductor, 32.5mmid [Ferrite 25-30Mhz] (Europe, Australia, Canada Only), 2-29
 Inductor, 32.5mml [Ferrite 25-300mhz] (Australia Only), 2-29
 Inductor, 36.2 Mml, Rnd [Ferrite 1-300Hz], 3-18
 Inductor, 36.2mml, Rnd [Ferrite 1-300hz] (Australia Only), 2-63
 Inductor, Ferrite [split Case, 220@100Hz], 3-53
 Inductor, Ferrite [Split Case, 407@1'00Hz], 3-27
 Instr, Use&Care, Wallchart [T17], 3-126
 Iron Gray S/G Enamel 12.8oz [lcm101-00517], 1-1

K

Keeper, Latch, Draw, 3-103
 Key, Ignition, Sgl, 1-1, 2-17
 Key, Sq, 0.19 X 0.19, 0.75l, 2-12, 2-39, 3-49, 3-51
 Key, Sq, 0.19 X 0.19, 1.00l, 2-11, 2-12, 3-107
 Key, Sq, 0.25 X 0.25, 1.00l, 2-35, 3-23
 Key, Sq, 05mm X 05mm, 25mml, 2-39, 3-49
 Keychain, Rectangle, Parts & Service, 2-17
 Kit, Controller, Steer Motor, Ci [M17], 3-15
 Kit, Field Install, Power Steering, 3-13
 Kit, Hose, Watering, Battery, 20ft, 3-87, 3-89, 3-91, 3-93
 Kit, Replmt, Cover, Battery, OHG, 3-9
 Kit, Replmt, Cover, Battery, OHG, JP (Japan), 3-9
 Kit, Steering Motor, Ci [M17/T17], 3-15
 Knob Assy, Star, 3.21d 5ear M8, 3-51
 Knob, Adj, Caster, 2-57
 Knob, Caster, 2-57
 Knob, Star,, 3-77
 Knob, Star, 1.50d 0.88l 3ear M8x1.25 Fem, 3-51, 3-53
 Knob, Star, 3.21d 5ear 4.45l M10x1.5, 2-57
 Knob, Star, 3.21d 5ear M10, 2-57

L

Label [Anti-Tamper], 3-95, 3-97
 Label Kit, Info/Hzrd Polycarbonate Tj [T17] (Japan Only), 2-103
 Label Kit, Info/Hzrd Pyc [T17/M17], 2-103
 Label Set, Info/Hzrd Vinyl [T17/M17], 2-103

CROSS REFERENCE

Label Set, Info/Hzrd Vinyl TJ [T17] (Japan Only), 2-103
Label, Circuit Breaker, 2-17, 2-63
Label, Circuitbreaker, Steering, 2-17
Label, Date Code [Ec-H2o], 4-3
Label, Direction [Ec-H2o], 4-3
Label, Hole, Cover, Recvy Tank, 2-49
Label, Instructional, Dry Vac, 3-115
Label, Logo, 05.75l 2color [Es], 2-103
Label, Logo, 12.3l 4color [Ec-H2o], 2-103
Label, Module [Nsf, Ec-H2o], 4-3
Label, Opertnl, Console, Lh, 2-17
Label, Opertnl, Console, Rh [2-Switch], 2-17
Label, Opertnl, Console, Rh, W/Pre-Sweep, 3-55
Label, Opertnl, Telem [Fcc/lc], 3-83
Label, Opertnl, Vacuum Wand Handle, 3-77
Latch, 2-39, 2-53, 2-61, 3-19, 3-101, 3-103, 3-117
Latch W/ Keeper, 3-45
Latch, Cmpr, Yel Grip, 2-41, 2-43
Latch, Compression, Sqge, Sba, 3-23
Latch, Draw, 3-103
Lever Wldt, Adj, Sba, 3-35, 3-39
Lever Wldt, Sqge Lift, Pulley, 2-55
Lift Wldt, Sqge, Pulley, 2-55
Light Assy, Led, 3-5
Light Assy, Pre-Sweep, Afmkt, 3-3, 3-45
Light Kit, Strobe, Module Cl [T17], 3-5
Light Kit, Strobe, Ohg, Ci [T17], 3-7
Light, Flsh, 12Vdc, Amb, Rwk, 3-5, 3-7
Link Assy, Lift, Head, Afmkt [T17], 2-33
Link Kit, Sq, Rear, 1 Link, Afmkt [T17], 2-57
Link Kit, Upper, Sba, Afmkt [T17], 3-21
Link Wldt, Brake, 2-15
Link, Chain, Rlr, 35, 2-11
Lip, Tray, Debris, 2-37

M

Magnet, Latch, Brush Door, 2-7
Manifold, Bar, Spray, 2-37
Manifold, Sba, 3-27
Manifold, Soltn, 2-35
Manifold, Solution Delivery, Main, 2-47
Manual, Oprtr [T17 Ele, Cn], 3-126
Manual, Oprtr [T17 Ele, En, Na], 3-126
Manual, Oprtr [T17 Ele, Es, Na], 3-126
Manual, Oprtr [T17 Ele, Fr, Na], 3-126
Manual, Oprtr [T17 Ele, Jp], 3-126
Manual, Oprtr [T17 Ele, Ptb], 3-126
Manual, Parts [T17 Ele, En, Na/Int], 3-126
Manual, Service Info [T17 Ele, En], 3-126
Marker, Corner, 3-53
Mesh Assy, Cloth [T17], 2-45
Mess Assy, Cloth, 3-77
Mirror, Convex, 5.00 D, Rnd, 3-115
Molding, Afmkt, Trim, Pvc, .08 .11, 01 Ft, 3-103

Molding, Afmkt, Trim, Pvc, .18 .31, 02ft, 2-63, 3-111
Motor Assy, Cyl, Afmkt [T17], 2-39
Motor Assy, Disk, Afmkt [T17], 2-35
Motor Assy, Steering, Power, 12v, 3-11
Motor, Ele, 24-72vdc 3400rpm 6.71hp, 3-107
Motor, Ele, 36 Vdc, 350 Rpm 1.25 Hp Gear, 3-23
Motor, Ele, 36vdc 0.08hp 0068rpm Gear Lh, 3-37, 3-53
Motor, Ele, 36vdc 0.08hp 0068rpm Gear Rh, 3-33, 3-53
Motor, Ele, 36vdc 1750rpm 1.00hp 22.0a, 3-49
Motor, Ele, 36vdc, 1750 Rpm 1.5hp, 2-39
Motor, Ele, 36vdc, 350 Rpm 1.5hp Gear, 2-35
Mount Wldt, Motor, Sba, 3-37
Mount, Cable Tie, 3-115
Muffler, Vacfan, 2.50 Id X 25.0 Oal, 3-115
Muffler, Vacfan, 11.0 L, 2-53

N

Nameplate, Tennant, Domed, 2-9
Nozzle, Press Washer, 3-103
Nozzle, Spray, Gun, 3-75
Nozzle, Wand, Inlet, 3-111
Nut, Compression, 2.25-12, Abs, 3-77
Nut, Hex, Flng, M5 X 0.80, 3-27
Nut, Hex, Flng, M6 X 1.00, 3-95, 3-97, 3-123
Nut, Hex, Flng, M8 X 1.25, 2-11, 3-45
Nut, Hex, Jam, .25-28, 2-15, 2-31
Nut, Hex, Jam, .31-24, 2-29, 2-31
Nut, Hex, Jam, 1.12-12, 2-11
Nut, Hex, Jam, M10 X 1.5, [Din439], 3-21
Nut, Hex, Lock, .31-18, NI, Ss, 2-19, 2-21
Nut, Hex, Lock, M10 X 1.5, NI, 3-9, 3-79
Nut, Hex, Lock, M10 X 1.5, NI, Ss, 2-55, 2-57, 2-59, 3-21
Nut, Hex, Lock, M12 X 1.75, NI, 2-31
Nut, Hex, Lock, M12 X 1.75, NI, Ss, 2-33
Nut, Hex, Lock, M3 X 0.50, NI, Ss, 3-45
Nut, Hex, Lock, M4 X 0.70, NI, 3-45, 3-47, 3-103, 3-111, 3-117
Nut, Hex, Lock, M4 X 0.70, NI, Ss, 3-67, 4-3
Nut, Hex, Lock, M5 X 0.80, NI, 3-5, 3-7, 3-47, 3-83, 3-85
Nut, Hex, Lock, M5 X 0.80, NI, Ss, 2-41, 2-43, 3-65, 3-69, 3-75, 3-111, 3-124
Nut, Hex, Lock, M6 X 1.00, NI, 2-29, 2-55, 2-65, 3-45, 3-51, 3-75, 3-79
Nut, Hex, Lock, M6 X 1.00, NI, Ss, 2-7, 2-15, 2-33, 2-41, 2-43, 2-55, 3-35, 3-39, 3-47, 3-65, 3-83, 3-85, 3-115
Nut, Hex, lock, m8 X 1.25, ml, Ss, 2-49
Nut, Hex, Lock, M8 X 1.25, NI, 2-11, 2-15, 2-61, 3-13, 3-15, 3-47, 3-75

Nut, hex, lock, m8 X 1.25, nl, Ss, 2-7, 2-41, 2-43, 2-45, 2-49, 2-51, 3-21, 3-35, 3-39, 3-49, 3-51, 3-53, 3-61, 3-63, 3-67, 3-81, 3-85, 3-103, 3-113, 3-117
Nut, Hex, M5 X 0.80 X 16, 8.8, 3-119
Nut, Hex, Slted, 1.00-20, 2-31
Nut, Hex, Std, .25-20, 2-7, 2-53, 2-65
Nut, Hex, Std, #04-40, 2, 3-95, 3-97
Nut, Hex, Std, 10-32,, 2-29
Nut, Hex, Std, M10 X 1.50, Ss, 2-57
Nut, Hex, Std, M10-1.5, Ss, 2-57
Nut, Hex, Std, M12 X 1.75, Ss, 3-95, 3-97
Nut, Hex, Std, M5 X 0.80, 8, 2-39
Nut, Hex, Std, M5 X 0.80, Brs, 2-65
Nut, Hex, Std, M6 X 1.00, 8, 2-27
Nut, Hex, Std, M6 X 1.00, Brs, 2-65
Nut, Hex, Std, M6 X 1.00, Ss, 3-35, 3-39
Nut, Hex, Std, M8 X 1.25, Ss, 2-41, 2-43, 2-59, 3-45, 3-49, 3-53
Nut, Push, Bolt Retention, Stl,5/16 Thrd, 2-19, 2-21
Nut, T, M10 X 1.50 X 0.62od X 0.5l, 2-59
Nut, T, M10 X 1.50 X 15.80od X 13.0l, 2-41, 2-43
Nut, U, M8 X 1.25 4-7 Thk, 2-9

O

Off Whites/G
Acrylic12.8oz[Acm101-00171], 1-1
Oil Kit, Drive, Afmkt [M17], 1-1, 2-25

P

Pad, Buff, 16.0d, Red [1 Pick = 1 Pad], 2-5
Pad, Buff, 20.0d, Red [1 Pick = 1 Pad], 2-3
Pad, Pedal, Brake, 2.79l 1.84w .75t, 2-15
Pad, Polish, 16.0d, White [1 Pick = 1 Pad], 2-5
Pad, Polish, 20.0d, White [1 Pick = 1 Pad], 2-3
Pad, Rest, 3-111
Pad, Scrub, 16.0d, Blue [1 Pick = 1 Pad], 2-5
Pad, Scrub, 20.0d, Blue [1 Pick = 1 Pad], 2-3
Pad, Stop, Rbr, 2-33
Pad, Stripping, 16.0d, Black [High Prod] [1 Pick = 1 Pad], 2-5
Pad, Stripping, 16.0d, Brown [1 Pick = 1 Pad], 2-5
Pad, Stripping, 20.0D, Black [High Prod][1 Pick = 1 Pad], 2-3
Pad, Stripping, 20.0d, Brown [1 Pick = 1 Pad], 2-3
Pad, Surf Prep, 16.0d, Maroon [1pick=1pad], 2-5
Pad, Surf Prep, 20.0D Maroon, [1Pick=1Pad], 2-3
Paint, Airdry, Blk, 12oz, 1-1
Paint, Airdry, Gray, 12oz [Enamel], 1-1

Panel Assy, Cyl, Afmkt [T17], 2-39
 Panel Kit, Pod, Afmkt [Pro, M20/M30/T20](Pro-panel Only), 2-12
 Panel Kit, Pod, Afmkt [Std, T17], 2-11
 Panel Kit, Pod, Afmkt [Std, T20], 2-11
 Panel Wldt, Cover, Brush, 2-7
 Panel Wldt, Enclosure, Electrical, 2-63
 Panel, Access, Na, Afmkt [T17], 2-17
 Panel, Access, Tj, Afmkt [T17], 2-17
 Panel, Console, Lh, 2-17
 Panel, Console, Rh, 2-17
 Panel, Louvered, Rh, 3-101
 Parts Kit, Battery Qdc, Cl [T17/M17], 3-123
 Parts Kit, Extinguisher, Fire, Ci, 3-124
 Pawl, Ratchet, 3-75
 Pedal Assy, Accelerator, W/O Brake, 4-4
 Pedal Assy, Accelerator, W/O Brake [T17], 2-15
 Pedal, Foot, W/ Tread, 4-4
 Pedal, Window, 2-15
 Pin, 0.43d 2.75l [303ss], 2-59
 Pin, .75d X 5.88l, 3-119
 Pin, 0.63d, 02.0l [W/Cbore, M8 Screw], 2-59
 Pin, Axle, Brg, 3-77
 Pin, Clevis, 0.19d X 0.63l, 2-55
 Pin, Clevis, 0.25d X 0.79l, 2-15, 2-31
 Pin, Clevis, 0.31d X 2.62l, 2-55
 Pin, Clevis, 0.37d X 1.00l, 2-31
 Pin, Clevis, 0.37d X 1.25l, 2-15
 Pin, Clevis, 0.37d X 1.75l, 2-55
 Pin, Clevis, 0.37d X 2.00l, 2-33, 3-21
 Pin, Clevis, 0.37d X 2.12l, 2-59
 Pin, Clevis, 0.37d X 2.25l, 2-33, 3-49
 Pin, Clevis, 0.37d X 3.25l, 3-35, 3-39
 Pin, Clevis, 0.37d X 4.50l, 3-35, 3-39
 Pin, Clevis, 0.37d X 6.12l, 3-35, 3-39
 Pin, Clevis, 0.38D X 1.00L, 2-31
 Pin, Clevis, 0.50d X 2.62l, 2-55
 Pin, Clevis, 0.50d X 4.50l, 2-33
 Pin, Clevis, 0.50d X 5.00l, 2-41, 2-43
 Pin, Clevis, 0.625d X 1.75l, 3-25
 Pin, Clevis, 0.62d X 2.91l, 2-55
 Pin, Clevis, 0.75d X 2.00l, M10 Hole, 2-57
 Pin, Clevis, 10mmd X 040mml, 3-49
 Pin, Clevis, Grvd, 0.38d X 1.25l, 2-15
 Pin, Cotter, .062 X 0.50, 3-49
 Pin, Cotter, .062 X 0.75, 2-15, 2-31, 2-55
 Pin, Cotter, .094 X 1.00, 2-15, 2-55, 3-35, 3-39
 Pin, Cotter, .125 X 1.00, 2-31
 Pin, Cotter, .125 X 1.25, 2-55
 Pin, Cotter, .125 X 1.75, 2-31
 Pin, Cotter, .156 X 1.25, 2-41, 2-43, 2-57
 Pin, Cotter, Hair, 0.38d .093 Wir, 2-33, 3-21, 3-35, 3-39
 Pin, Cotter, Hair, 0.75d .148 Wir, 3-25
 Pin, Hair, Cotter, 0.62d .120 Wir, 3-33, 3-37, 3-53, 3-119
 Pin, Hitch, .375d X 3.12l, Pl, 3-79
 Pin, Hitch, .750d X 7.00l, Pl, 2-7, 3-99
 Pin, Mtg, M8 X 1.25 Thrd, 2-15

Pin, Pivot, Sba, 3-21
 Pin, Roll, .187d X 1.62l, .187/.192, 3-119
 Pin, Roll, .250d X 0.75l, .250/.256, 2-41, 2-43
 Pin, Roll, .250d X 1.50l, .250/.256, 2-25
 Pin, Roll, .250d X 2.00l, .250/.256, 3-33, 3-37, 3-53
 Pin, Roll, .250X 1.5L, .250/.256, 2-23
 Pin, Spindle, Spring, 2-15
 Pivot Arm Kit, Act, Sba, Afmkt [T17], 3-21
 Pivot Arm Kit, Sba, Afmkt [T12], 3-21
 Pivot Wldt, 2-37
 Pivot Wldt, Caster, Sqge, 2-57
 Pivot, Lift, 2-35
 Plate Assy, Side, Head, Afmkt [T17], 2-33
 Plate Wldt, Attachment, Frame, 2-23, 2-25
 Plate Wldt, Bearing Clamp, 2-31
 Plate Wldt, Brg, 2-11
 Plate Wldt, Cover, 3-119
 Plate Wldt, Mesh, 2-45
 Plate Wldt, Mtg, 3-111
 Plate Wldt, Mtg, Hose-Reel [T17], 3-75
 Plate Wldt, Mtg, Platform, 2-19, 3-125
 Plate Wldt, Nut, M4, 3-45
 Plate Wldt, Pump, 3-105
 Plate Wldt, Screen, Hppr, 3-45
 Plate Wldt, Shaft, Pedal, 2-15
 Plate Wldt, Sppt, Brg, 2-11
 Plate, Adapter, Brush, 3-33, 3-37, 3-53
 Plate, Arm, Adj, 3-51
 Plate, Arm, Prop, 2-49
 Plate, Connector, Anderson, Switch, 3-95, 3-97
 Plate, Contact, 3-117
 Plate, Door, Battery Rollout [T17], 3-85
 Plate, Door, Battery Rollout [T17/M17], 3-85
 Plate, Doubler, 3-79
 Plate, Guide, Battery Rollout [T17], 3-85
 Plate, Hold-Down, 3-51
 Plate, Hook, Latch, 3-19
 Plate, Latch [T17], 2-53, 2-61, 3-103
 Plate, Mtg, 2-19, 3-125
 Plate, Mtg, Battery, Disconnect, 3-123
 Plate, Mtg, Cover, 3-103, 3-113
 Plate, Mtg, Latch, 3-117
 Plate, Mtg, Switch, 3-117
 Plate, Mtg, Tank, Detergent, 3-67
 Plate, Plstc, Bat Rollout, 3-85
 Plate, Prop Rod, [T17], 2-61
 Plate, Retainer, Skirt, 3-47
 Plate, Retainer, Skirt, Lh, 3-51
 Plate, Retainer, Skirt, Rh, Curved, 3-49
 Plate, Retainer, Skirt, Rh, Straight, 3-49
 Plate, Side, Wrap, 2-39
 Plate, Sppt, 3-49
 Plate, Sppt (Replaced by 9014344), 3-23
 Plate, Spring, 3-115
 Platform Set, Oprtr [T17], 2-19
 Platform Set, Oprtr [T17/M17 Trim], 3-125
 Platform, Oprtr, Front, 2-9
 Plug Kit, Press Wash, Pump, Afmkt[T/M17], 3-103

Plug, Adapter, Port, 3-77
 Plug, Circuit Breaker [Carling, 50/60a], 2-63
 Plug, Drive, Brush, 2-39
 Plug, Drive, Brush, Nyl, 3-49, 3-51
 Plug, Hole, Rnd, 0.25h 0.8l, Brb, Nyl, 3-103
 Plug, Hole, Rnd, 0.25H, 1.00D 0.6L, Nyl, 3-81
 Plug, Hole, Rnd, 0.44H .03-.12, Blk Nyl, 2-63
 Plug, Hole, Rnd, 0.63h 0.1l, Blk, 2-63
 Plug, Hole, Rt, 1.45 X 0.83, Blk Nyl, 3-103
 Plug, Hole, Rt, Rocker Switch, .87 X 1.7, 2-17
 Plug, Hole, Soltn Tank, Blk Pyu, 2-45
 Plug, Idler, Brush, 2-39
 Plug, Oil, 3-103
 Pulley, Cable, 1.5d Nyl, 3-35, 3-39
 Pump, Detgt, 36vdc (See Breakdowns), 3-67
 Pump, Metering Solution, 4-5
 Pump, Pressure Washer, 3-107
 Pump, Soltn, 36vdc, Impeller, 3-65
 Pump, Soltn, Ele, 36vdc, 45psi, 3-75, 3-105
 Pump, Soltn, Ele, 36vdc, 60psi, 3-27, 3-69

R

Reel Assy, Hose, Large, 3-75
 Relay, 36Vdc, 005A, Spdt No [Greenwich], 3-5
 Replacement Kit, Bellows, 4-5
 Retainer Assy, Side Sqge, With Latch, 2-41, 2-43
 Retainer Wldt, Side Sqge, With Latch (Repl by 9013756), 2-41
 Retainer Wldt, Side Sqge, With Latch (Repl by 9013757), 2-43
 Retainer Wldt, Sqge, Sba, 3-23
 Retainer, Blade, Sqge, 14.2l (1 set = 2 blades), 3-77
 Retainer, Brg, Iron Gray, 2-39
 Retainer, Housing, Transmission, 2-23, 2-25
 Retainer, Seal, Door, Vac Fan, 2-53
 Retainer, Shaft, Transmission, 2-23, 2-25
 Rework, Dust Cap, Valve, Drain, 3-81
 Ring, Compression, 3-77
 Ring, Mtg, Sqge, .38l, 2-59
 Ring, Retaining, Ext, 0.59d, Basic, 2-57, 3-49, 3-51
 Ring, Retaining, Ext, 0.62d, Basic, 3-49
 Ring, Retaining, Ext, 0.75d, Hd, 2-11, 2-39
 Ring, Retaining, Ext, 1.00d, Basic, 3-75
 Ring, Retaining, Ext, 1.12d, 2-11
 Ring, Retaining, Ext, 11.5mm Id, 2-23, 2-25
 Ring, Retaining, Ext, 16.2mm Id, Hd, 2-23, 2-25
 Ring, Retaining, Int,, 3-49

CROSS REFERENCE

Rivet, Blind, .156D X 1.07 X .31D, Alm, 3-77
Rivet, Blind, .188d X 0.53 X .62d, Alm, 2-37
Rivet, Plstc, .250d X 0.90, 2-35
Rod Wldt, Safety, Hopper Cover, 3-45
Rod Wldt, Seat, Battery Cover [T17], 2-61, 3-113
Rod-End, M10 X 1.5lh Fem M10 X 1.5stud, 2-57
Rod-End, M10 X 1.5rh Fem M10 X 1.5stud, 2-57, 3-21
Rod, Hex, M10, 09.50l, Stil, 2-57
Rod, Hex, Thd .31-24, 2-Ended, 2-31
Rod, Thrd, 2end, M8x1.25/ M10x1.5 -02, 2-59
Rod, Thrd, Full, .25-20 01.5l, 2-65

S

Screen, Pump, 3-67
Screen, Safety, Vac Fan, 2-49
Screen, Vacuum, 2-49
Screw, Flt, Phl, 04-40, Cs, Brass, 3-95, 3-97
Screw, Flt, Soc, M5 X 0.80 X 16, 10.9, 3-85
Screw, Flt, Soc, M6 X 1.00 X 20, 10.9, 2-33
Screw, Flt, Soc, M6 X 1.00 X 25, 10.9, 2-55
Screw, Flt, Soc, M8 X 1.25 X 20, Al, Blk, 3-117
Screw, Flt, Soc, M8 X 1.25 X 30, Ss, 3-85
Screw, Hex, .25-20 X 0.38, G5, 2-65
Screw, Hex, .25-20 X 0.50, G5, 3-5
Screw, Hex, .31-18 X 1.00, G5, 2-19, 2-21
Screw, Hex, .38-16 X 0.88, G5, 3-79
Screw, Hex, .38-16 X 1.25, G5, 3-107
Screw, Hex, M10 X 1.5, 2-11
Screw, Hex, M10 X 1.50 X 20, Ss, 2-41, 2-43
Screw, Hex, M10 X 1.50 X 25, 8.8, 2-9
Screw, Hex, M10 X 1.50 X 25, Ni, Ss, 2-55
Screw, Hex, M10 X 1.50 X 25, Ss, 2-39, 3-47, 3-107
Screw, Hex, M10 X 1.50 X 30, 8.8, 3-9
Screw, Hex, M10 X 1.50 X 30, Ss, 2-57, 3-47, 3-53
Screw, Hex, M10 X 1.50 X 35, 10.9, 2-23, 2-25
Screw, Hex, M10 X 1.50 X 40, 8.8, 2-23, 2-25
Screw, Hex, M10 X 1.50 X 50, 8.8, 3-99
Screw, Hex, M10 X 1.50 X 70, Ss, 2-55
Screw, Hex, M10 X 1.50 X 80, 8.8, 3-79
Screw, Hex, M10 X 1.50 X 90, 8.8, 3-9
Screw, Hex, M12 X 1.75 X 180, 8.8, 2-33
Screw, Hex, M12 X 1.75 X 30, Ss, 3-21
Screw, Hex, M12 X 1.75 X 40, 10.9, 3-79
Screw, Hex, M12 X 1.75 X 40, 8.8, 2-31, 2-33, 2-35
Screw, Hex, M12 X 1.75 X 50, 8.8, 2-37

Screw, Hex, M4 X 0.70 X 12, 8.8, 3-111, 3-117
Screw, Hex, M4 X 0.70 X 50, Ss, 4-3
Screw, Hex, M5 X 0.80 X 10, Fmg, 2-37
Screw, Hex, M5 X 0.80 X 12, 8.8, 3-103
Screw, Hex, M5 X 0.80 X 12, Ss, 2-39, 3-27, 3-69, 3-71, 3-124
Screw, Hex, M5 X 0.80 X 16, 8.8, 3-83, 3-103
Screw, Hex, M5 X 0.80 X 16, Ni, Ss, 3-111
Screw, Hex, M5 X 0.80 X 16, Ss, 3-83
Screw, Hex, M5 X 0.80 X 20, 8.8, 3-111
Screw, Hex, M5 X 0.80 X 25, Ss, 3-75, 3-105
Screw, Hex, M5 X 0.80 X 30, Ni, Ss, 3-111
Screw, Hex, M6 X 1.00 X 10, Fmg, 2-35, 3-103
Screw, Hex, M6 X 1.00 X 12, Fmg, 2-35, 2-37, 3-7, 3-115
Screw, Hex, M6 X 1.00 X 12, Ss, 3-19, 3-23
Screw, Hex, M6 X 1.00 X 16, 2-39
Screw, Hex, M6 X 1.00 X 16, 8.8, 2-19, 2-27, 2-29, 2-65, 3-107
Screw, Hex, M6 X 1.00 X 16, Fmg, 3-49
Screw, Hex, M6 X 1.00 X 16, Ni, Ss, 3-23, 3-49, 3-51, 3-53, 3-61, 3-63, 3-95, 3-97
Screw, Hex, M6 X 1.00 X 16, Sems, Ss, 2-63, 3-95, 3-97, 3-117
Screw, Hex, M6 X 1.00 X 16, Ss, 2-15, 2-27, 2-39, 2-41, 2-43, 2-61
Screw, Hex, M6 X 1.00 X 16, Ss, Sems, 2-11, 2-39
Screw, Hex, M6 X 1.00 X 20, 8.8, 3-75, 3-79, 3-115
Screw, Hex, M6 X 1.00 X 20, 8.8, Ni, 3-13, 3-15
Screw, Hex, M6 X 1.00 X 20, 9.8, Sems, 2-29, 3-33, 3-37, 3-45, 3-69, 3-83, 3-113
Screw, Hex, M6 X 1.00 X 20, Ni, Ss, 3-111
Screw, Hex, M6 X 1.00 X 20, Ss, 2-7, 2-53, 3-49, 3-115
Screw, Hex, M6 X 1.00 X 25, 9.8, Sems, 3-45, 3-49, 3-111
Screw, Hex, M6 X 1.00 X 25, Ss, 2-39, 3-45, 3-47, 3-49, 3-65
Screw, Hex, M6 X 1.00 X 30, 8.8, 3-117
Screw, Hex, M6 X 1.00 X 30mm, Ss, 3-51
Screw, Hex, M6 X 1.00 X 35, 8.8, 2-29
Screw, Hex, M6 X 1.00 X 40, Ss, 2-65, 3-21, 3-35, 3-39, 3-83, 3-95, 3-97, 3-123
Screw, Hex, M6 X 1.00 X 45, 8.8, 2-29, 3-123
Screw, Hex, M6 X 1.00 X 55, Fl, Ss, 3-85, 3-95, 3-97
Screw, Hex, M6 X 1.00 X 80, Ss, 2-55, 3-47
Screw, Hex, M6 X 1.00 X 90, 8.8, 3-95, 3-97

Screw, hex, M6 X 1.00 X 20, 9.8, Sems, 3-103
Screw, Hex, M8 X 1.25 X 100, Ss, 3-21, 3-35, 3-39
Screw, Hex, M8 X 1.25 X 120, Ss, 3-21
Screw, Hex, M8 X 1.25 X 16, 8.8, 2-11, 2-41, 2-43, 3-107
Screw, Hex, M8 X 1.25 X 16, Ni, Ss, 2-61, 2-65, 3-9, 3-101, 3-115, 3-117, 3-123
Screw, Hex, M8 X 1.25 X 16, Ss, 2-53, 3-23
Screw, Hex, M8 X 1.25 X 20, 8.8, 2-9, 2-11, 3-13, 3-15
Screw, Hex, M8 X 1.25 X 20, Fmg, 2-7
Screw, Hex, M8 X 1.25 X 20, Ni, Ss, 2-39, 2-45, 2-49, 3-9, 3-23, 3-67, 3-101, 3-115, 3-119
Screw, Hex, M8 X 1.25 X 20, Ss, 2-9, 2-15, 2-61, 3-25, 3-49, 3-83
Screw, Hex, M8 X 1.25 X 20, Ss (Large Battery), 3-85
Screw, Hex, M8 X 1.25 X 20, Ss, Sems, 2-7, 2-11, 2-17, 2-19, 2-47, 2-49, 2-51, 2-53, 2-61, 2-63, 3-5, 3-11, 3-13, 3-15, 3-33, 3-37, 3-45, 3-47, 3-53, 3-69, 3-75, 3-103, 3-107, 3-111, 3-113, 3-115, 3-117, 3-119, 3-125
Screw, Hex, M8 X 1.25 X 25, 9.8, Sems, 2-7, 3-35, 3-39, 3-75, 3-101, 3-105
Screw, Hex, M8 X 1.25 X 25, Ss, 2-7, 2-9, 2-15, 2-35, 2-45, 2-49, 3-21, 3-25, 3-27, 3-35, 3-39, 3-45, 3-47, 3-53, 3-67, 3-69, 3-99, 3-103, 3-119
Screw, Hex, M8 X 1.25 X 25, Ss, Ni, 2-49, 3-81
Screw, Hex, M8 X 1.25 X 30, 8.8, 2-61
Screw, Hex, M8 X 1.25 X 30, 8.8, Ni, 2-19
Screw, Hex, M8 X 1.25 X 30, 9.8 Sems, 3-87, 3-89, 3-91, 3-93
Screw, Hex, M8 X 1.25 X 30, 9.8, Sems, 2-7, 3-47, 3-49, 3-85, 3-101, 3-111
Screw, Hex, M8 X 1.25 X 30, Ss, 2-7, 2-15, 2-49, 3-21, 3-23, 3-25, 3-65, 3-67, 3-117, 3-119
Screw, Hex, M8 X 1.25 X 35, 9.8, Sems, 2-9, 2-19, 3-85, 3-95, 3-97, 3-125
Screw, Hex, M8 X 1.25 X 35, 9.8, Sems (Small Battery), 3-85
Screw, Hex, M8 X 1.25 X 35, Fl, Ss, 2-7, 3-35, 3-39, 3-49
Screw, Hex, M8 X 1.25 X 35, Ni, Ss, 2-49, 3-21
Screw, Hex, M8 X 1.25 X 40, Ss, 2-15
Screw, Hex, M8 X 1.25 X 45, Ss, 2-11, 3-23
Screw, Hex, M8 X 1.25 X 50, Fl, Ss, 3-45
Screw, Hex, M8 X 1.25 X 50, Ss, 3-35, 3-39
Screw, Hex, M8 X 1.25 X 70, Ss, 3-49
Screw, Hex, M8 X 1.25 X 80, Fl, Ss, 3-53
Screw, Hex, M8 X 1.25 X 90, 8.8, 2-31
Screw, Pan, M04 X 0.7 X 35, Ss, 2-3
Screw, Pan, M06 X 1.0 X 35, Ss, 2-3

- Screw, Pan, M06 X 1.0 X 35, Ss, 2-5
 Screw, Pan, Phl, .31- 18 X 1.00, G2, 2-19
 Screw, Pan, Phl, .31- 18X1.00, G2, 2-21
 Screw, Pan, Phl, 06 X 0.50, Fmg/Ab, Blk, 2-17, 3-3
 Screw, Pan, Phl, 06-20 X 0.50, Fmg/Ab, 3-5, 3-19, 3-45
 Screw, Pan, Phl, 08- 16 X 0.50, F/ Plstc, 3-117
 Screw, Pan, Phl, 08- 16 X 1.13, F/ Plstc, 3-9
 Screw, Pan, Phl, 10-32 X 0.50, G2, Blk, 2-61
 Screw, Pan, Phl, 12- 16 X 0.50, F/ Plstc, 2-49, 2-53, 3-19, 3-101, 3-115, 3-124
 Screw, Pan, Phl, 12- 16 X 0.50, F/Plstc (Pro- panel Only), 2-12
 Screw, Pan, Phl, M3 X 0.50 X 10, 4.8, 3-3, 3-45
 Screw, Pan, Phl, M3 X 0.50 X 6, 4.8, 2-63, 3-55
 Screw, Pan, Phl, M4 X 0.70 X 10, 4.8, 2-63, 3-29, 3-41, 3-55
 Screw, Pan, Phl, M4 X 0.70 X 10, Blk, 3-117
 Screw, Pan, Phl, M4 X 0.70 X 10, Ss, 2-39, 3-45
 Screw, Pan, Phl, M4 X 0.70 X 16, 4.8, 2-29, 3-13, 3-15, 3-45, 3-47, 3-83, 3-103
 Screw, Pan, Phl, M4 X 0.70 X 16, Ss, 2-27, 3-11, 3-67
 Screw, Pan, Phl, M4 X 0.70 X 35, Ss, 2-3, 2-5
 Screw, Pan, Phl, M5 X 0.80 X 12, Ss, 3-69
 Screw, Pan, Phl, M5 X 0.80 X 16, 4.8, 2-53, 3-5, 3-7
 Screw, Pan, Phl, M5 X 0.80 X 16, Blk, 2-41, 2-43, 2-45
 Screw, Pan, Phl, M5 X 0.80 X 16, Tcut,Ss, 4-3
 Screw, Pan, Phl, M5 X 0.80 X 20, 4.8, 3-101
 Screw, Pan, Phl, M5 X 0.80 X 20, Ss, 3-65, 3-119
 Screw, Pan, Phl, M5 X 0.80 X 25, 4.8, 2-61, 3-47, 3-103, 3-117
 Screw, Pan, Phl, M5 X 0.80 X 40, 4.8, 3-107
 Screw, Pan, Phl, M6 X 1.00 X 12, Blk, 2-17, 2-59
 Screw, Pan, Phl, M8 X 1.25 X 16, Blk, 2-45
 Screw, Set, M6 X 1.00 X 8, NI, 2-11
 Screw, Set, M8 X 1.25 X 8, Lock, 2-11
 Screw, Set, Soc, 08-32 X 0.25, NI, 2-39, 3-49
 Screw, Soc, M10 X 1.5 X 20, 12.9, 2-23, 2-25
 Screw, Soc, M10 X 1.50 X 35, 12.9, 2-23, 2-25
 Screw, Soc, M12 X 1.75 X 40, 12.9, 2-23, 2-25
 Screw, Soc, M6 X 1.00 X 14, NI, 2-23, 2-25
 Screw, Soc, M8 X 1.25 X 25, 12.9, 3-21
 Seal, Afmkt, Bulb, Dual, 01ft [F/.30gap], 2-61
 Seal, Afmkt, Bulb, Dual, 03ft [F/.30gap], 2-45, 2-53
 Seal, Afmkt, Bulb, Dual, 12Ft [F/.30Gap], 2-49
 Seal, Axial, Transmission [199 Vs R], 2-23, 2-25
 Seal, Bulb, Str, Snap-In, Epdm, Bulk, 3-101
 Seal, Door, Vac Fan, Rbr, 2-53
 Seal, Epdm, .38, .50w 2.65l, Adh, 3-111
 Seal, Rbr, Clsd, 0.375, 5.0d 2.5h, 3-47
 Seal, Rbr, Clsd, 0.63, 0.63, 3.0l, 3-103
 Seat Kit, Deluxe, Ci [T17], 2-21
 Seat, Dlx, W/ Armrests & Seatbelt, 2-21
 Seat, Std [Milisco], 2-19
 Seatbelt, Orange, Retractable, Afmkt, 2-21
 Sensor, Level, Liq, 14vdc 01a .62- 11, 2-49, 3-63, 3-65
 Sensor, Position [Hall], 4-4
 Sensor, Press, 3 Psi, 8- 30vdc, 2-45
 Service Kit [T17], 1-1
 Shaft, 2-31
 Shaft Wldt, Brake, 2-31
 Shaft Wldt, Pivot, Front, 2-15
 Shaft, Drive, Brush, 2-39
 Shaft, Drive, Pre- Sweep, Lrg Brg, 3-49
 Shaft, Idler, Brush, Main, 3-51
 Shaft, Input, Transmission, 2-23, 2-25
 Shaft, Steering, Mnl, 2-11
 Shaft, Steering, Power, Lower, 3-11, 3-13, 3-15
 Shaft, Steering, Power, Upper, 3-11, 3-15
 Shaft, Steering, Power, Upper (Only used with old Power Steering Motors), 3-13
 Sheave, 07grv, 03.3pd 0.63b [Pj], 3-49
 Sheave, 07grv, 1.22pd 0.55b [Pj], 3-49
 Sheave, 09grv, 1.18pd 0.55b [Pj], 2-39
 Sheave, 09grv, 4.13pd 0.75b [Pj], 2-39
 Shield, Bumper, Sqge Cplg, 2-55
 Shield, Plug, Drive, 3-51
 Shim, Transmission, 2-25
 Shoe Set, Brake [1pick=1pkg], 2-31
 Shroud, Front, Afmkt [T17], 2-9
 Shunt, 050mv 400a, 3-83
 Skirt Kit, Disk, Afmkt [T17], 2-35
 Skirt Kit, Hopper, Preswp, Afmkt [T17], 3-47
 Skirt, Neo, .06, 03.62w 28.12l 05/Sl, 3-47
 Skirt, Neo, .06, 04.88w 28.26l 05/Sl, 3-47
 Skirt, Neo, .19, 03.62w 28.12l 05/Sl, 3-47
 Skirt, Rbr, .12, 09.11w 16.61l, 05/Hole, 3-49, 3-51
 Skirt, Rbr, Front, 2-35
 Skirt, Rbr, Rear, 2-35
 Sleeve, 0.65b 0.87d 0.6l, Pl, 2-15
 Sleeve, Nyl, 1.22id 20.0l, 3-105, 3-109
 Sleeve, Nyl, 1.35id 25.0l [Asb19], 3-95, 3-97
 Sleeve, Nyl, 1.63id 20.0l, 2-29
 Sleeve, Nyl, 1.63id 35.0l, 2-27
 Sleeve, P/m 0.32B 0.50D 0.3L [430Ss], 2-7
 Sleeve, P/M, 0.25b 0.38d 0.2l [430ss], 2-41, 2-43
 Sleeve, P/M, 0.25b 0.38d 0.8l, 3-21
 Sleeve, P/M, 0.32b 0.50d 0.3l [430ss], 3-35, 3-39, 3-117
 Sleeve, P/M, 0.32b 0.50d 0.4l [430ss], 3-21
 Sleeve, P/M, 0.32b 0.50d 0.5l [430ss], 3-35, 3-39
 Sleeve, P/M, 0.32b 0.50d 3.03l, 3-21
 Sleeve, P/M, 0.34b 0.63d 0.4l, Ss / Oil, 2-49
 Sleeve, P/M, 0.34b 0.63d 0.6l, Bnz, 3-23
 Sleeve, P/M, 0.34b 0.63d 1.2l, Bnz, 3-23
 Sleeve, P/M, 0.50b 0.87d 0.6l [430ss], 2-33
 Sleeve, P/M, 0.75B 0.88D 0.6L [841Brz], 2-11
 Sleeve, P/M, 1.13B 1.38D 1.0L, 2-11
 Sleeve, P/M, Fing, 0.33b 0.75/0.50d 0.8l, 2-49
 Sleeve, P/M, Fing, 0.50b 1.25/0.75d 0.4l, 2-33
 Sleeve, Vyl, Flex, .23ld, 3-5
 Spacer, Arm, Brush, 3-51
 Spacer, Blade, 2-33
 Spacer, Brg, 3-29, 3-49
 Spacer, Rnd, .38b .88d .38l, 2-19, 2-21
 Spring, 2-31
 Spring Assy, Replmt, Afmkt [T12], 3-21
 Spring, Cmpr, 0.37id X Flat Wir, 1.0l, 3-35, 3-39
 Spring, Cmpr, 0.98od .14wir 02.00l, Ss, 2-59
 Spring, Cmpr, 1.25od Flat Wir 02.5l, 2-33
 Spring, Compr, .98od 2.5l, 3-35, 3-39
 Spring, Extn, 0.35od 0.05wir 02.8l, 4-4
 Spring, Extn, 0.62od 0.08wir 03.0l, 3-35, 3-39
 Spring, Extn, 0.75od 0.10wir 03.0l, 2-41, 2-43
 Spring, Extn, 1.68od 0.20wir 07.5l, 2-57, 3-21
 Spring, Tens, .75Od X .08S 7.0L, 2-15
 Spring, Torsion, Brake, 2-15
 Spring, Torsion, Hose Reel, 3-75
 Spring, Wir, 0.16d, Brush Retaining, 2-3, 2-5
 Sprocket Kit, 0.75B, Afmkt [T12], 2-11
 Sprocket Kit, 0.75B, Afmkt [T17/M17], 2-11
 Sprocket Kit, 1.12B, Afmkt [T12], 2-11
 Sprocket Kit, 1.12B, Afmkt [T17/M17], 2-11
 Sprocket Wldt, Output, Transmission, 2-23, 2-25
 Sprocket, Dbl, 2-23, 2-25
 Sprocket, Steering, 0.75B, 2-11
 Sprocket, Steering, 1.12B, 2-11
 Squeegee Assy, Sba, Afmkt [T17], 3-23
 Squeegee Frame Assy, 2-59
 Squeegee Kit, Ci [T17], 2-59

CROSS REFERENCE

Squeegee Kit, Rear_Side, Linatex [T17], 1-1
Squeegee Kit, Rear_Side, Urethane [T17], 1-1
Squeegee Kit, Side, Lh, 2-43
Squeegee Kit, Side, Rh, 2-41
Squeegee, Hand, 3-77
Stand- Off, Circuitboard [0.25"], 2-63, 3-29, 3-41, 3-55
Stand- Off, Wir, 0.25, Insulator, Panel, 2-65
Stop, Lock, Pedal, 2-15
Strainer, Soltn, 20mesh, Cyl, 3.5d 09.5l, 3-65
Strap Wldt, 2-59
Strap, Plug, 3-103
Strap, Static, W/Grommet, .19 1.1w 25.0l, 2-7
Stud, Ball, 10mm Ball, M8x1.25, 3-103, 3-113
Support, Valve, Drain, 3-81
Switch [Proximity, Reed, W/Molex], 3-95, 3-97
Switch, Ignition [Merit GmbH], 2-17
Switch, Limit, N.C. [Cpi, Spst, 280 Mp], 3-85, 3-119
Switch, Press, 25 Psi, Pm02, 3-69
Switch, Rocker [Mom,Off,Mom, Dual Led], 3-55
Switch, Rocker [Mom,Off,Mom, Dual Led] (Only on Severe Environment Group), 3-67
Switch, Rocker, Dpdt, On / None / On, 2-17, 3-75, 3-108
Switch, Rocker, Dpst, On / None / On, 3-29, 3-41, 3-117
Switch, Rocker, Prgrsv, 3-3, 3-5, 3-7, 3-55
Switch, Rocker, Spst, Mom, 4-3
Switch, Safety, Shutoff, 2-17
Switch, Seat, No [Delta 6440-04], 2-19
Switch, Snap, 15a Nc, 2-15
Switch, Snap, 25a Spdt, 3-13, 3-15

T

Tank Kit, Detergent, Afmkt [T17], 3-67
Tank Kit, Detergent, Tj Afmkt [T17] (Japan Only), 3-67
Tank, Rec, Afmkt [T17], 2-49
Tank, Soltn, Afmkt [T17], 2-45
Teal Blue S/G
Enamel12.8oz[lcm101-70266], 1-1
Tensioner Kit, Str Trans, Afmkt [T17/M17], 2-23, 2-25
Tensioner, Chain, Dbl, 2-23, 2-25
Tie, Cable, 6.0l, 1.25d Max, 3-95, 3-97
Tie, Cable, 11.3l, 2.75d Max, 2-27, 2-29, 2-63, 3-29, 3-95, 3-97
Tie, Cable, 11.3L, 2.75D Max (Pro-panel Only), 2-12
Tie, Cable, Nyl, 07.3l .19w 1.8 Max D, 3-5
Tie, Cable, Nyl, 11.0l, .14w, 3.0 Max. D, 2-53, 3-7, 3-27, 3-67, 3-75, 4-3
Tie, Cable, Nyl, 11.4l .19w 3.0 Max D, 3-5

Tie, Cable, Nyl, 29.8l .30w 9.0 Max D, 3-29
Tie, Cable, Nyl, Push Mount, 76Mm Max D, 2-29, 2-47
Tire Assy, Front, Opt, White [T17] (Optional), 2-23, 2-25
Tire Assy, Rear, High Traction (1) [T17] (Option), 2-31
Tire Assy, Rear, Std (1) [T17], 2-31
Tire, Assy, Front, Std, Red [T17], 2-23, 2-25
Tire, Solid, 15.0 X 5.0 [Hi-Traction], 2-31
Tire, Solid, 15.0 X 5.0, Poly, Std, 2-31
Tool, Installation, Belt, 1-1, 2-39
Track, Locking, 12.5l, No Stud W/Handle, 2-19, 2-21
Track, N-Lkg, Seat, 12.5l, No Stud, 2-19, 2-21
Transmission Assy, Str, Afmkt [T17], 2-23
Transmission Assy, Str, Afmkt [T17/M17], 2-25
Tray Kit, Debris, Cyl, Afmkt [T17], 2-37
Tray Wldt, Battery, 2-7
Tray Wldt, R/O, Battery, 3-85
Tray Wldt, Ro Battery, [T17], 3-85
Tray Wldt, Wand, Debris, 3-117
Tray, Debris, Tank, 2-49
Tray, Vac Wand, 3-77
Tread, Non-Skid-Step, 3.75w 8.5l, Sba, 2-7, 3-119
Tread, Non-Skid-Step, 5.5w 13.8l, 2-7
Tread, Non-Skid-Step, 6.3w 12.8l, Sba, 3-25
Tube Assy, 34.2l, 2-45
Tube Wldt, Arm, Brush, Side, 3-53
Tube Wldt, Front, 3-9
Tube Wldt, Guard, Lh, Front, 3-9
Tube Wldt, Ohg, Lh, 3-9
Tube Wldt, Ohg, Rh, 3-9
Tube Wldt, Wand, Vacuum, 3-111
Tube, 0.38id 0.50od 02.2l, Stl, Pl, 3-47
Tube, 0.74id 1.24od 0.47l, Pyu, 2-23, 2-25
Tube, 3.0d, 2.9b, 56.3l, 3-111
Tube, Column, Steering, 2-11
Tube, Guard, 3-79
Tube, Ohg, Middle, Rear, 3-9
Tube, Water, Pressure Washer, 3-105

V

Vac Fan Kit, W/Seal [T17], 3-47
Vac Wand Kit, Ci [T17], 3-77
Valve Kit, Check, Es [T17], 3-65, 3-105
Valve Kit, Pump, 4-5
Valve Kit, Replacement 36V Hi Flow, 2-35, 2-37, 3-27
Valve, Ball, Drain, 2.00id, Rh, 3-81
Valve, Check, 0005psi Bm06/Bm06, 3-69
Valve, Check, Pump, Water, 3-65, 3-105
Valve, Needle, [M17/T17], 3-107
Valve, Pop- Off, 3500 Psi, 3-105
Valve, Water, Solenoid - 36V, 2-35, 2-37

Valve, Water, Solenoid, 36vdc 6.0mm Pf04, 3-71
Valve, Water, Solenoid, 36vdc Pf08/Pf08, 3-61, 3-63

W

Walve, Water, Solenoid - 36V, 3-27
Wand Assy Kit, Vacuum, hose, 3-111
Wand Assy, Vacuum Dry, 3-111
Wand Kit, Press Wash, Afmkt [T/M17], 3-103
Wand, Str, Ss, 28l, 3-103
Washer Flat, 0.50, Sae, 2-31
Washer, 1.02 Od, .62 Id, Urethane, 2-57
Washer, Flat, 0.16b 0.38d .05, Pl, 06, 3-47
Washer, Flat, 0.17b 0.31d .03, Nyl, 2-63, 3-29, 3-41, 3-55
Washer, Flat, 0.19b 0.44d .05, Pl, 08, 2-29, 3-45, 3-117
Washer, Flat, 0.21b 0.45d .03, Ss, 3-124
Washer, Flat, 0.25, Fendr, 3-47
Washer, Flat, 0.25, Sae, 2-19, 2-23, 2-25, 2-27, 2-29, 2-65, 3-5, 3-13, 3-15, 3-79, 3-83, 3-105, 3-107, 3-115, 3-124
Washer, Flat, 0.25, Sae, Blk, 2-17, 3-101
Washer, Flat, 0.25, Std, 2-61, 3-7, 3-27, 3-67, 3-69, 3-95, 3-97, 3-123
Washer, Flat, 0.25b 0.47d .06, Brs, 2-65
Washer, Flat, 0.25b 0.56d .05, Pl, 10, 3-5, 3-7, 3-83
Washer, flat, 0.25B 0.56D .05, Pl, 10 (Pro-panel Only), 2-12
Washer, Flat, 0.25b 0.88d .06, Neo, 3-115
Washer, Flat, 0.25b 1.12d .12, Ss, 2-29, 3-111
Washer, Flat, 0.27b 0.69d .05, Ss, 2-7, 2-27, 2-35, 2-39, 2-41, 2-43, 2-55, 2-59, 3-19, 3-21, 3-23, 3-35, 3-39, 3-45, 3-47, 3-49, 3-53, 3-61, 3-63, 3-85, 3-115
Washer, Flat, 0.28b 1.00d .06, Stl, 2-53
Washer, Flat, 0.28b 1.00d .06, Stl, Blk, 3-49, 3-51, 3-77, 3-103
Washer, Flat, 0.31, Sae, 2-9, 2-27, 2-29, 2-31, 3-9, 3-13, 3-15, 3-85
Washer, Flat, 0.31, Std, 2-11, 2-15, 2-31, 2-61, 3-13, 3-47, 3-49, 3-103, 3-107, 3-113
Washer, flat, 0.32B 1.00D .12, Ss, 2-7, 2-9, 2-19, 2-39, 2-45, 2-49, 2-61, 2-63, 3-9, 3-21, 3-23, 3-25, 3-35, 3-39, 3-45, 3-51, 3-53, 3-67, 3-99, 3-101, 3-115, 3-119
Washer, Flat, 0.33b 1.38d .08, Ss, 3-21
Washer, Flat, 0.34b 1.25d .11, Ss, 2-15
Washer, Flat, 0.34b 1.50d .12, Stl, Pl, 2-49, 3-35, 3-39
Washer, Flat, 0.38, Sae, 2-9, 2-11
Washer, Flat, 0.38, Std, 2-9, 2-23, 2-25, 2-53, 3-79, 3-99

Washer, Flat, 0.38b 0.88d .08, Ss, 2-7,
 2-15, 2-19, 2-21, 2-35, 2-49, 2-51,
 3-9, 3-23, 3-35, 3-39, 3-47, 3-53,
 3-61, 3-63, 3-65, 3-81, 3-85, 3-103,
 3-117, 3-119
 Washer, Flat, 0.40b 1.12d .12, Ss, 2-55
 Washer, Flat, 0.41B 1.50D .19, Stil, Pl,
 3-107
 Washer, Flat, 0.44b 1.00d .08, Ss, 2-35,
 2-39, 2-41, 2-43, 2-55, 2-57, 2-59,
 3-9, 3-21, 3-23, 3-45, 3-47, 3-49, 3-53
 Washer, Flat, 0.48b 2.50d .12, Ss, 3-21
 Washer, Flat, 0.50b 0.75d .02, Stil, 2-25
 Washer, Flat, 0.50b 1.25d 0.8, Stil, Pl,
 2-33, 2-37
 Washer, Flat, 0.51b 1.25d .06, Ss, 3-79
 Washer, Flat, 0.53b 1.50d .19, Stil, 2-33
 Washer, Flat, 0.5b 1.5d .12, Stil, Pl, 2-35
 Washer, Flat, 0.60b 1.31d .10, Ss, 2-57
 Washer, Flat, 0.62, Sae, 2-15, 2-57
 Washer, Flat, 0.66b 1.00d .12, Rbr, 3-61,
 3-63
 Washer, Flat, 0.66b 2.50d .19, Ss, 3-33,
 3-37, 3-53
 Washer, Flat, 0.75b 1.00d .03, Nyl, 2-15
 Washer, Flat, 0.76b 1.50d .06, Ss, 3-119
 Washer, Flat, 08, Ss, 2-3, 2-5, 3-103, 4-3
 Washer, Flat, 1.00, Sae, 2-31
 Washer, Flat, 1.02b 1.75d .12, Stil, 3-75
 Washer, Flat, 10, Sae, 2-29
 Washer, Flat, 10, Ss, 2-27, 3-11, 3-65,
 3-67, 3-69, 3-71, 3-75, 3-83, 3-105,
 3-111, 3-115, 3-119
 Washer, Flat, Belleville, .25, 2-39, 3-49,
 3-51
 Washer, Flat, Belleville, .31, 2-35, 2-39,
 3-23, 3-49
 Washer, Flat, M12, 2-23
 Washer, Flat, M12, Ss, 2-25
 Washer, Flt, .25 Ss, 2-3, 2-5
 Washer, Flt, #08 Ss, 2-3
 Washer, Large, Transmission, 2-23
 Washer, Lock, Int-Ext, 0.25, 3-103
 Washer, Lock, Int-Ext, 0.31, 2-7, 2-17
 Washer, Lock, Int-Ext, 0.50, 2-37
 Washer, Lock, Int, 0.25, Ss, 2-27, 2-29,
 2-65, 3-105
 Washer, Lock, Int, 0.31, 2-27, 2-29
 Washer, Lock, Int, 0.44, 3-83
 Washer, Lock, Int, 10, 2-29
 Washer, Lock, Int, 10, Ss, 2-65, 3-83
 Washer, Retainer, Spring, 3-75
 Washer, Sealing, 0.28b 0.75d Ss, Neo,
 3-65
 Washer, Thrust, 0.61b 1.25d .06, Fgl, 2-41,
 2-43
 Washer, Thrust, 0.66b 1.25d 0.06w, 2-57
 Washer, Thrust, 0.79b 1.42d 0.06[Garlok],
 2-12, 2-41, 2-43
 Washer, Thrust, 50.0b 110.0d 0.79w, 3-75
 Washer, Thrust, Plstc 1.02b 1.38d, 3-75
 Washer, Wavy, 1.20b 1.54d .13, 2-57

Washer, Belleville, 0.505b 1.00d 0.091h, Ss,
 3-95, 3-97
 Weight, Counter, Casting, 250Lb, Painted,
 3-99
 Wheel Assy, Drive, Ac, W/O Brake, 2-23,
 2-25
 Wheel Assy, Drive, Ac, W/O Brake, White
 (Optional), 2-23, 2-25
 Wheel Bearing Kit, Rear, Afmkt [T17], 2-31
 Wheel, 01.6d 0.72w 0.21b, 3-35, 3-39
 Wheel, 04.0d 0.89w 0.64b, 2-59, 3-23,
 3-25
 Wheel, 05.0d 2.00w 0.75b, Gray, W/ Bshg,
 2-7, 3-99, 3-119
 Wheel, Steering, 14.4d, 2-11
 Wire, Tie [W/.25" Fir Tree Clip], 2-37, 3-21,
 3-29, 3-45, 3-55, 3-67, 3-105, 3-115,
 3-119
 Wire, Tie [W/.25" Fir Tree Clip], 2-49, 3-83

