

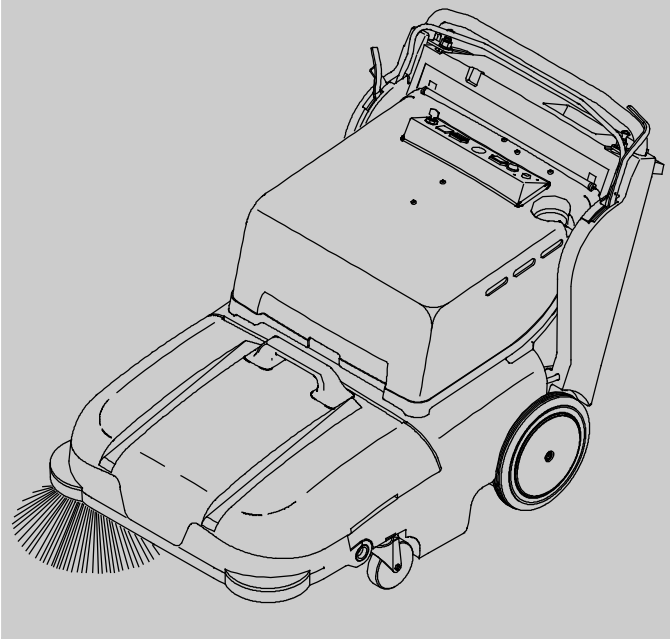
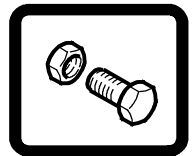


3640

(Electric)

Sweeper

Parts Manual



Tennant True® Parts



For the latest Parts manuals and other language Operator manuals, visit:

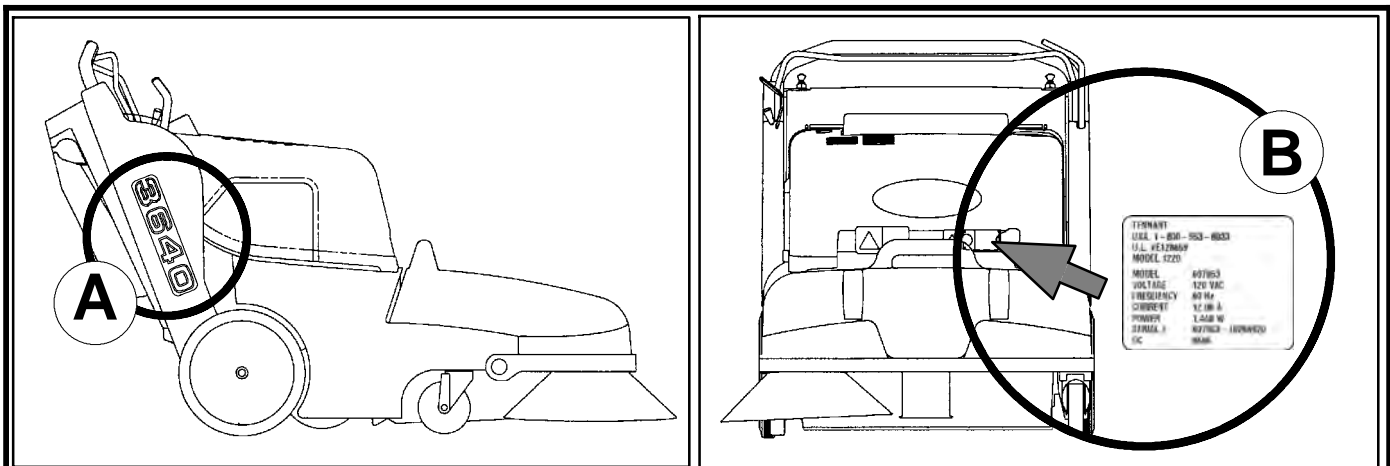
www.tennantco.com/manuals

JP

www.tennant.co.jp

330564
Rev. 12 (08-2014)





Ref	Part No.	Serial Number	Description	Qty.
1	82681	(000000-)	Bracket W/dt, Lpg Mount	1
▽ 2	63810	(000000-)	Latch Assy, Lpg Tank Mtg, W/Nut	4
▲ 3	51839	(000000-)	Nut Adjustable, Lpg Tank Mtg	2
4	49263	(000000-)	Tie, Cable	3
(D)	82556	(000000- 001039)	Bracket, Vaporizer	1
	54930	(000000-)	Vaporizer, LPG	1

HOW TO ORDER PARTS - See diagram above
 Only use TENNANT Company supplied or equivalent parts. Parts and supplies may be ordered online, by phone, by fax or by mail.
 Follow the steps below to ensure prompt delivery.

1. **(A)** Identify the machine model.
2. **(B)** Identify the machine serial number from the data label.
3. **(C)** Ensure the proper serial number is used from the parts list.
4. Identify the part number and quantity. Do not order by page or reference numbers.
5. Provide your name, company name, customer ID number, billing and shipping address, phone number and purchase order number.
6. Provide detail shipping instructions.

(D) ▽ - identifies an assembly
 ▲ - identifies parts included in assembly

EN

Please fill out at time of installation for future reference.

Model No. - _____

Serial No. - _____

Machine Options - _____

Sales Rep. - _____

Sales Rep. phone no. - _____

Customer ID Number - _____

Installation Date - _____

Tennant Company Japan
 9F Industry & Trade Center, 2 Yamashita-cho
 Naka-ku, Yokohama, Kanagawa 231-0023
 JAPAN
 Phone: 045-640-5630
 Fax: 045-640-5604

www.tennant.co.jp

Specifications and parts are subject to change without notice.

Copyright © 2009 - 2014 TENNANT Company, Printed in U.S.A.

JP

パーツの発注方法 ? 上記の図を参照してください

TENNANT社製のパーツまたは同等品のみをお使いください。
パーツやサプライ品のご注文は、オンライン、電話、FAX、または手紙でお願いいたします。
確実にお届けできるように、以下の情報お知らせください。

1. **(A)** 製品のモデル名をお知らせください。
2. **(B)** 製品のデータラベルに印刷されているシリアル番号をお知らせください。
3. **(C)** パーツリストを参照して、シリアル番号が正しいかご確認ください。
4. パーツ番号と数量をお知らせください。マニュアル/カタログのページ番号や参照番号でのご注文はご遠慮ください。
5. お客様のお名前、会社名、顧客ID番号、請求/発送先住所、電話番号、注文書番号をお知らせください。
6. 発送に関するご希望があれば、明記してください。

- (D)** ▽ - アセンブリを示します
▲ - アセンブリに含まれるパーツを示します

後日確認できるように、設置時に記入してください。

モデルNo. - _____

シリアルNo. - _____

製品のオプション - _____

販売代理店 - _____

販売代理店の電話番号 - _____

顧客ID番号 - _____

設置日 - _____

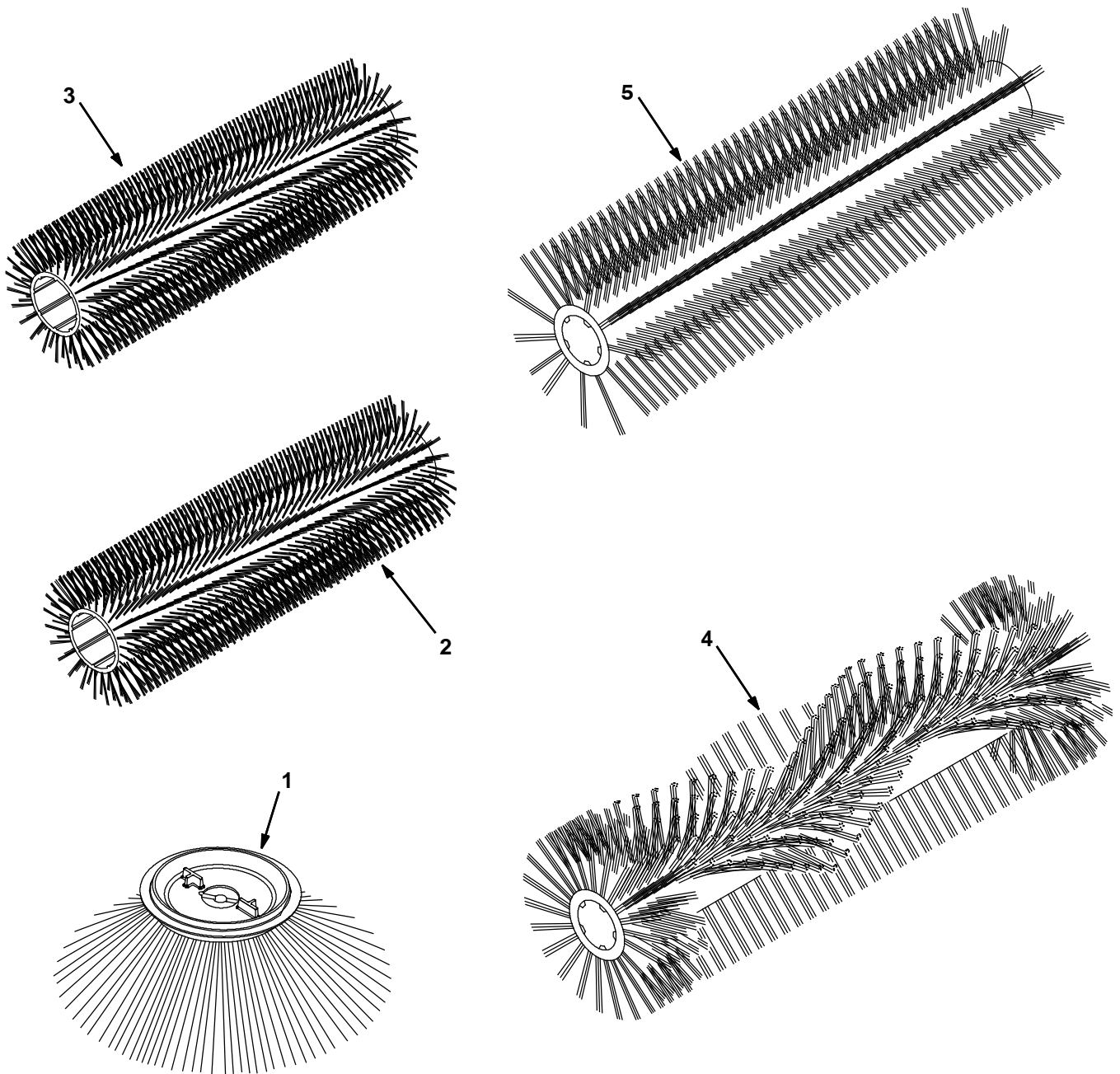
SECTION 2

Contents	Page
Fig. 1 - General Recommended Maintenance Items	2-2
Fig. 2 - Replacement Brushes	2-3
Fig. 3 - Main Frame Group	2-4
Fig. 4 - Drive System Group	2-6
Fig. 5 - Main Brush Group	2-8
Fig. 6 - Side Brush Group	2-10
Fig. 7 - Hopper Group	2-12
Fig. 8 - Vacuum Fan Group	2-14
Fig. 9 - Vacuum Housing Group	2-16
Fig. 10 - Brush Lift Handles Group	2-18
Fig. 11 - Clutch and Shift Handle Group	2-20
Fig. 12 - Electric Motor Group	2-22
Fig. 13 - Battery Cover Group	2-24
Fig. 14 - Battery Cable Harness Group	2-26
Fig. 15 - Instrument Panel Group	2-27
Fig. 16 - Electrical Schematic	2-28
Fig. 17 - Wire Harness Group	2-30
Fig. 18 - Label Group	2-32

Fig. 1 - General Recommended Maintenance Items

Ref.	Part No.	Serial Number	Description	Qty.
▽	1	80269	(000000-) Replmt Kit, Skirts & Seals	1
▲	2	379214	(000000-) Skirt, Rear	1
▲	3	378811	(000000-) Kit, Side Skirt, Rh	1
▲	4	378812	(000000-) Kit, Skirt, Side, Lh	1
▲	5	80373	(000000-) Seal	1
▲	6	80315	(000000-) Seal	1
▲	7	373142	(000000-) Skirt, Hopper	1
▲	8	80392	(000000-) Gasket, Cuff	1
▲	9	80096	(000000-) Seal, Chamber	1
▲	10	80260	(000000-) Gasket, Vac Fan	1
▲	11	72970	(000000-) Rivet, Plstc	5
▲	12	80186	(000000-) Plate, Skirt, Retainer	5
	13	1067680	(000000-) Bag, Vacuum, Paper [1pick=1pkg] (1 Pkg = 10 Bags)	1
	14	80141	(000000-) Angle, Lip	1
	15	222403	(000000-) Wheel, 2.0 Dia	1
	16	1037199	(000000-) Filter, Panl, Dust, 2.7 X 15.0 X 22.0	1
	17	80117	(000000-) Kit, Replmt Main Br Belt	1
	18	80464	(000000-) Hose, Flex	1
	19	01739	(000000-) Kit, Brush	1
	20	01740	(000000-) Spring, Brush	1
	21	80125	(000000-) Brush & Spring Assy	1
	22	80152	(000000-) Belt, Flat	1
	23	80940	(000000-) Belt, V	1
	24	377365	(000000-) Pin, Brush, Main	1

Fig. 2 - Replacement Brushes



350846 - ALL

Ref.	Part No.	Serial Number	Description	Qty.
1	80042	(000000-) Brush, Side	1
1	378804	(000000-) Brush, Side STFP	1
2	80058	(000000-) Brush, Sweep, 24Lg Poly	1
3	80355	(000000-) Brush, Carpet	1
4	80351	(000000-) Brush, Sweep, Sandwedge	1
5	378802	(000000-) Brush, Sweep, P&W	1

Fig. 3 - Main Frame Group

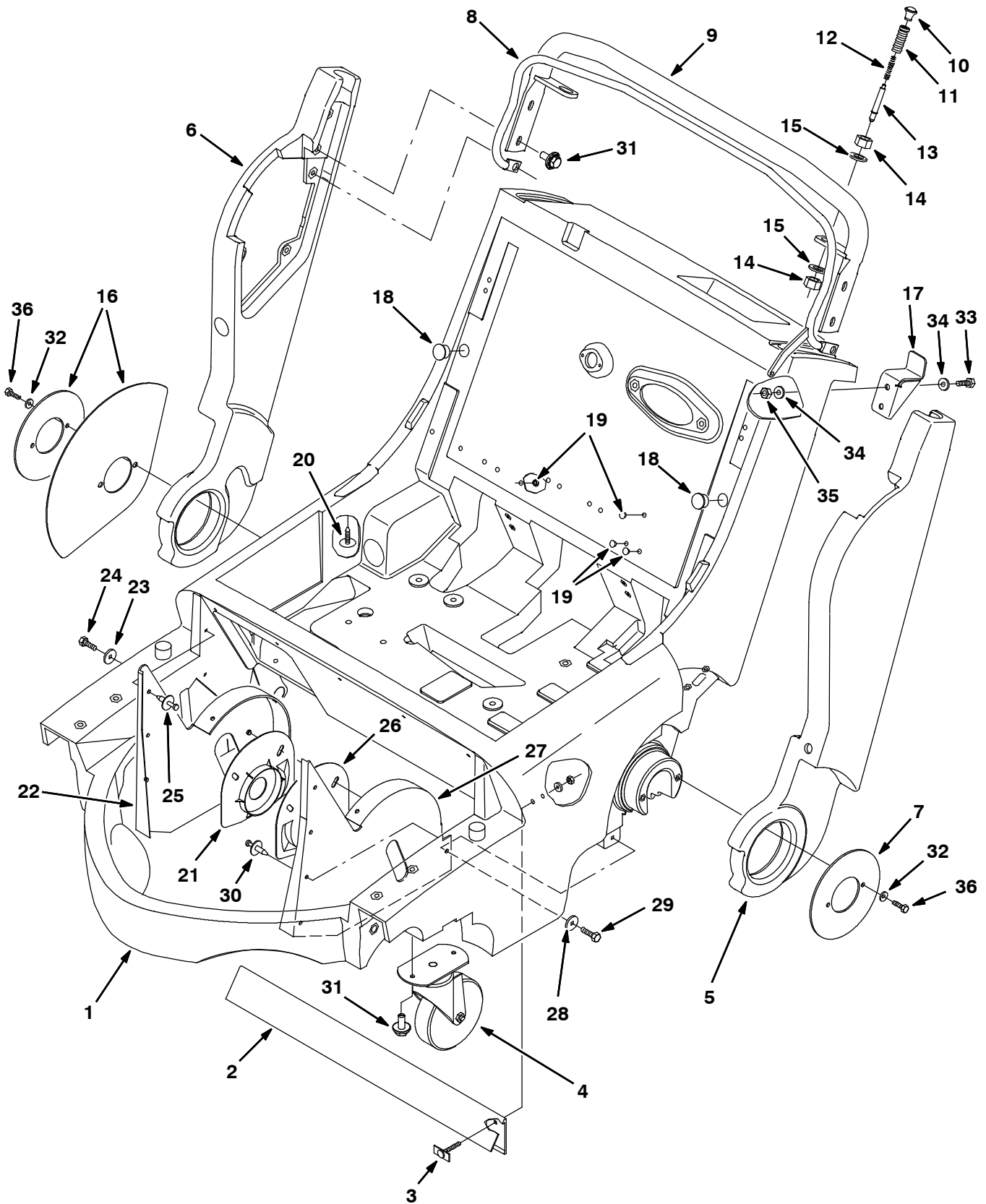


Fig. 3 - Main Frame Group

Ref.	Part No.	Serial Number	Description	Qty.
1	9005828	(000000-) Frame, Main, [3640]	1
2	80142	(000000-) Skirt, Rear	1
3	80186	(000000-) Plate, Skirt, Retainer	5
4	80028	(000000-) Caster, 5.0D X 1.37 Wheel	2
5	9005830	(000000-) Handle, Main, Lh, Afmkt [3640]	1
6	9005831	(000000-) Handle, Main, Rh, Afmkt [3640]	1
7	80037	(000000-) Plate, Retainer	1
8	80945	(000000-) Lever, Clutch, Wldt	1
9	80430	(000000-) Handle, Steering	1
▽	379228	(000000-) Kit, Repair, Adj Handle	2
▲	10 80180	(000000-) Knob,#10- 32,0.81Dia,Plastic	2
▲	11 80445	(000000-) Sleeve, Threaded	2
▲	12 80448	(000000-) Spring, Comp 0.34ldx.045Wire	2
▲	13 373141	(000000-) Pin, Handle Adjustment	2
▲	14 763066	(000000-) Nut,Hx Jam M16X2.0 Din 439	4
▲	15 04400	(000000-) Washer- Flt 17 X30X3 Ss M16	2
	16 80105	(000000-) Shield, Dirt Kit	1
	17 80106	(000000-) Bracket, Handle Stop	1
	18 130161	(000000-) Plug, Hole, Rnd, 0.88d, Blk	2
	19 80061	(000000-) Plug, Hole .297	4
	20 378770	(000000-) Clip	1
▽	378811	(000000-) Kit, Skirt, Rh	1
▲	21 378806	(000000-) Guard	1
▲	22 378809	(000000-) Skirt	1
▲	23 41178	(000000-) Washer, Flat, .25 Fender	1
▲	24 20394	(000000-) Screw, Hex, #10 X 0.62, Fmg Ab	1
▲	25 72968	(000000-) Rivet, Plstc	7
▽	378812	(000000-) Kit, Skirt, Lh	1
▲	26 378807	(000000-) Guard	1
▲	27 378810	(000000-) Skirt	1
▲	28 41178	(000000-) Washer, Flat, .25 Fender	1
▲	29 20394	(000000-) Screw, Hex, #10 X 0.62, Fmg Ab	1
▲	30 72968	(000000-) Rivet, Plstc	7
	31 1020341	(000000-) Screw, Hex, M8 X 1.25 X 20, Ss, Sems	6
	32 32490	(000000-) Washer, Flat, 0.25 Std	4
	33 76570	(000000-) Screw, Hex, M8 X 1.25 X 30, 8.8	2
	34 32491	(000000-) Washer, Flat, 0.31 Std	4
	35 08709	(000000-) Nut, Hex, Lock, M8 X 1.25, NI	2
	36 06942	(000000-) Screw, Hex, M6 X 1.0 X 16, 8.8	4

Fig. 4 - Drive System Group

	Ref.	Part No.	Serial Number	Description	Qty.
▽	1	80476	(000000-) Kit, Transaxle Assy (see breakdowns)	1
▲	2	80471	(000000-) Fitting, Relief 1/8	1
	3	80110	(000000-) Sheave, Flat, 3.7Od	1
	4	00500-4	(000000-) Key- Wdruff 0.12 0.50 Asa#0404	1
	5	01713	(000000-) Nut- Hx Std 10- 32 G2 Pltd	1
	6	33373	(000000-) Ring, Retain,Ex,0.62Od,Heavydt	1
	7	373105	(000000-) Hub, Wheel	2
	8	18276	(000000-) Pin,Dowel,0.2502Dia.X 1.50 Lg	2
	9	80148	(000000-) Tire & Wheel Assy	2
	10	222692	(000000-) Screw- Flat 8X1.25 25Nylon Loc	2
	11	80922	(000000-) Washer, Finish M8 Pltd	2
	12	80465	(000000-) Hubcap	2
	13	80415	(000000-) Cable, Shift, Push Pull	1
	14	80158	(000000-) Balljoint,	1
	15	80429	(000000-) Support, Cable	1
	16	80425	(000000-) Bolt, Bent, M6	1
	17	80113	(000000-) Plate, Support, Cable	1
	18	80962	(000000-) Plate Wldt, Backstop	1
	19	46307	(000000-) Chain, Static, Brass	1
	20	41141	(000000-) Washer, Lock, Int- Ext, .31	2
	21	06943	(000000-) Screw, Hex, M6 X 1.0 X 20, 8.8	8
	22	32483	(000000-) Washer, Flat, 0.25 Sae	8
	23	08708	(000000-) Nut, Hex, Lock, M6 X 1.0, NI	9
	24	06949	(000000-) Screw, Hex, M6 X 1.0 X 50, 8.8	4
	25	32490	(000000-) Washer, Flat, 0.25 Std	6
	26	1020341	(000000-) Screw, Hex, M8 X 1.25 X 20, Ss, Sems	4
	27	06943	(000000-) Screw, Hex, M6 X 1.0 X 20, 8.8	1

Fig. 5 - Main Brush Group

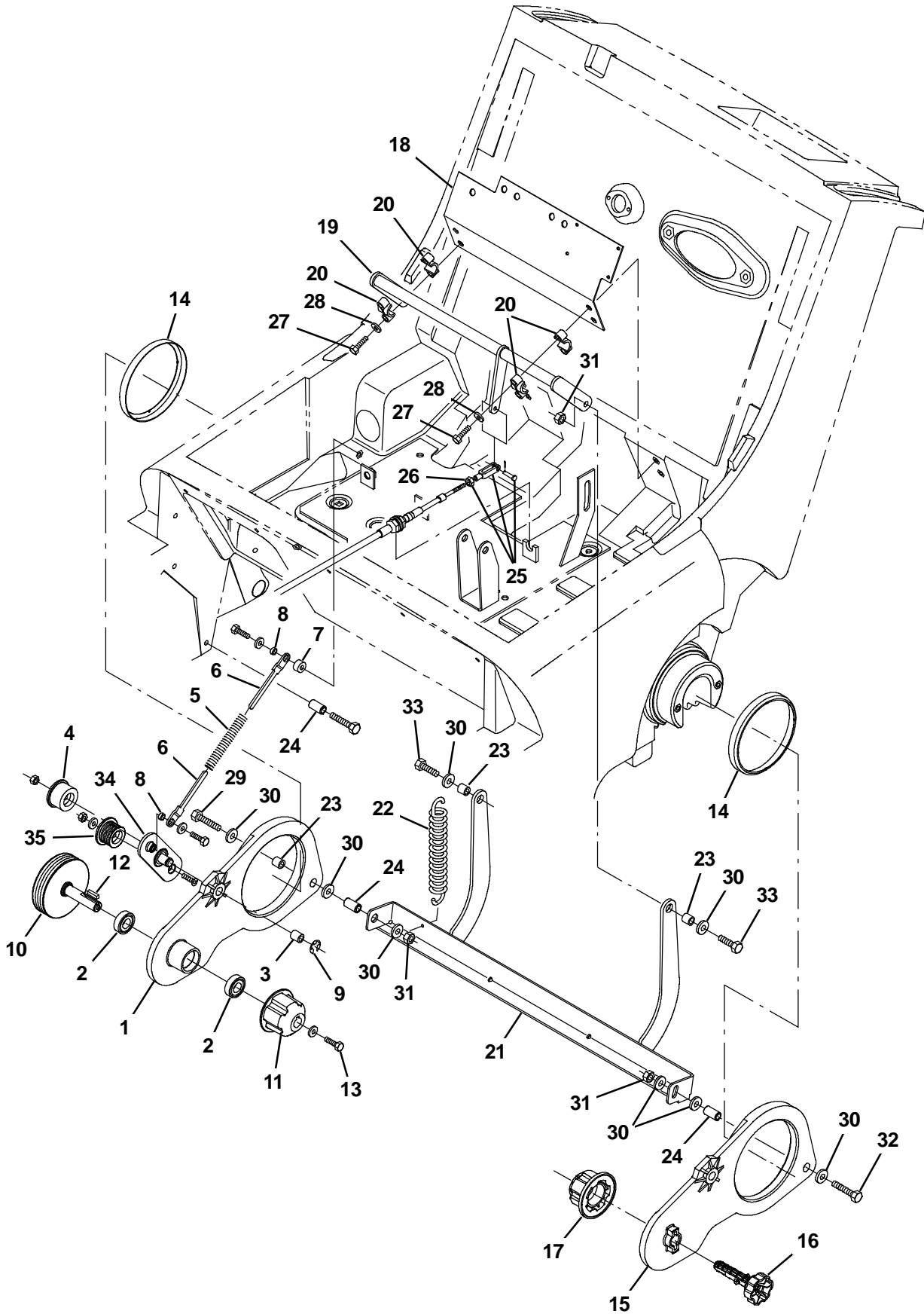


Fig. 5 - Main Brush Group

	Ref.	Part No.	Serial Number	Description	Qty.
▽	1	80047	(000000-) Arm, Brush	1
▲	2	41360	(000000-) Bearing, Ball, 0.59b 1.26d 0.35w[2seal]	2
▲	3	63233	(000000-) Bushing, Sleeve, 0.50b 0.59d 0.50l, Bnz	1
	4	80079	(000000-) Pulley, Idler	1
	5	80159	(000000-) Spring, Comp,	1
	6	373140	(000000-) Strip, Spring, Comp	2
	7	80937	(000000-) Sleeve, .025Ob .62D .34Pm	1
	8	80491	(000000-) Sleeve, .25Ob .38D .156Ss	2
	9	80492	(000000-) Ring, Retaining, Ex	1
	10	80048	(000000-) Shaft, Sheave	1
	11	378805	(000000-) Plug, Brush Drive	1
	12	00911	(000000-) Key Square 0.18 0.18 00.75 Lg	1
	13	11329	(000000-) Scr- Hexssm 6X1.0 16 Nylonloc	1
	14	80371	(000000-) Ring, Wear	2
	15	80424	(000000-) Arm, Brush, Idler Side	1
	16	377365	(000000-) Pin, Main Brush	1
	17	1057629	(000000-) Plug, Idler, Brush [Sgl Brg]	1
	18	80956	(000000-) Plate, Support, Cross Shaft	1
	19	80379	(000000-) Shaft, Wldt, Cross	1
	20	80387	(000000-) Block, Bearing 0.625Dia	4
	21	80384	(000000-) Link Wldt, Brush Lift	1
	22	379217	(000000-) Spring, Extension	1
	23	222460	(000000-) Sleeve	3
	24	80395	(000000-) Sleeve, .318B .50D .65Ss	3
▽	25	27880	(000000-) Yoke Assy.	1
▲	26	01713	(000000-) Nut- Hx Std 10- 32 G2 Pltd	1
	27	06946	(000000-) Scr- Hex m06 x 1.0x 35 8.8	4
	28	32490	(000000-) Washer- Flt	4
	29	39278	(000000-) Screw, Hex, M8 X 1.25 X 50, 8.8	1
	30	32491	(000000-) Washer, Flat, 0.31 Std	8
	31	08709	(000000-) Nut, Hex, Lock, M8 X 1.25, NI	4
	32	06955	(000000-) Screw, Hex, M8 X 1.25 X 35, 8.8	1
	33	76570	(000000-) Screw, Hex, M8 X 1.25 X 30, 8.8	2
	34	80053	(000000-) Plate, Pivot	1
	35	80075	(000000-) Pulley, Idler	1

Fig. 6 - Side Brush Group

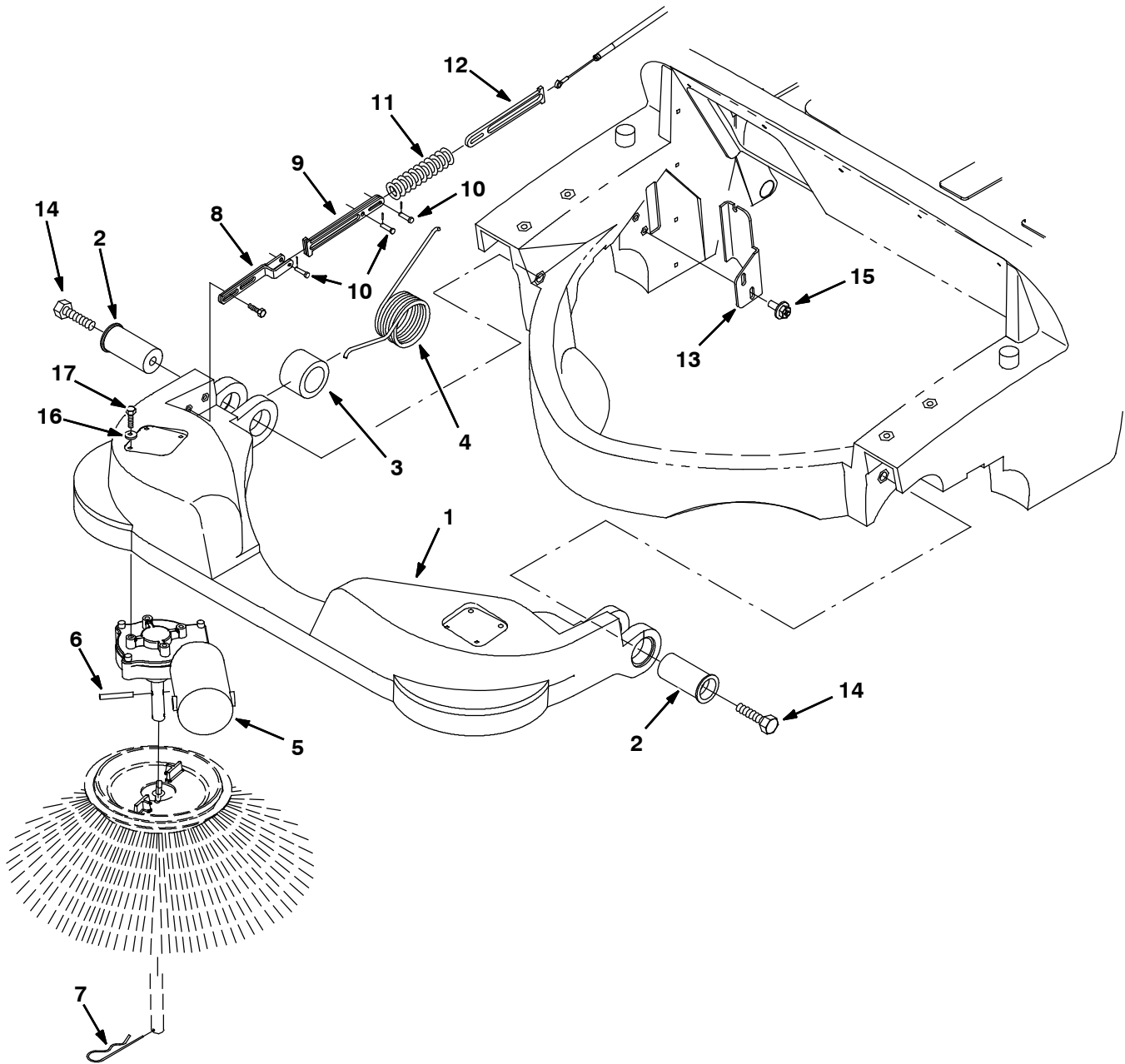


Fig. 6 - Side Brush Group

Ref.	Part No.	Serial Number	Description	Qty.	
1	80045	(000000-) Housing, Brush, Side	1	
2	80016	(000000-) Pivot, Bushing	2	
3	80321	(000000-) Sleeve, 1.45B 2.1D 1.5 Pltd	1	
4	379207	(000000-) Spring, Tors	1	
▽	5	1056182	(000000-) Motor, Ele, 24vdc 0068rpm 0.08hp 04.5a	1
▲	80126	(000000-) Brush&Spring Assy Se	1	
▲	80127	(000000-) Brush Cap Se	2	
▲	369795	(000000-) Holder, Brush	2	
▲	369796	(000000-) Clip	2	
6	11516	(000000-) Pin,Roll,.25Odx1.75L,.250/.256	1	
7	02942	(000000-) Pin,Hair Cotter .12Wire 2.37SI	1	
8	80155	(000000-) Bracket Wldt, Lift	1	
9	379216	(000000-) Strip, Spring	2	
10	76782	(000000-) Pin,Clevis,0.19 Dia.X 0.75 Lg	3	
11	80484	(000000-) Spring, Comp, 0.74ldx.11 Wire	1	
12	379215	(000000-) Strip, Spring	1	
13	80010	(000000-) Bracket, Cable	1	
14	06974	(000000-) Screw, Hex, M12 X 1.75 X 80, 8.8	2	
15	1034731	(000000-) Screw, Hex, M6 X 1.00 X 16, Sems, Ss	2	
16	32490	(000000-) Washer, Flat, 0.25 Std	4	
17	06943	(000000-) Screw, Hex, M6 X 1.0 X 20, 8.8	4	

Fig. 7 - Hopper Group

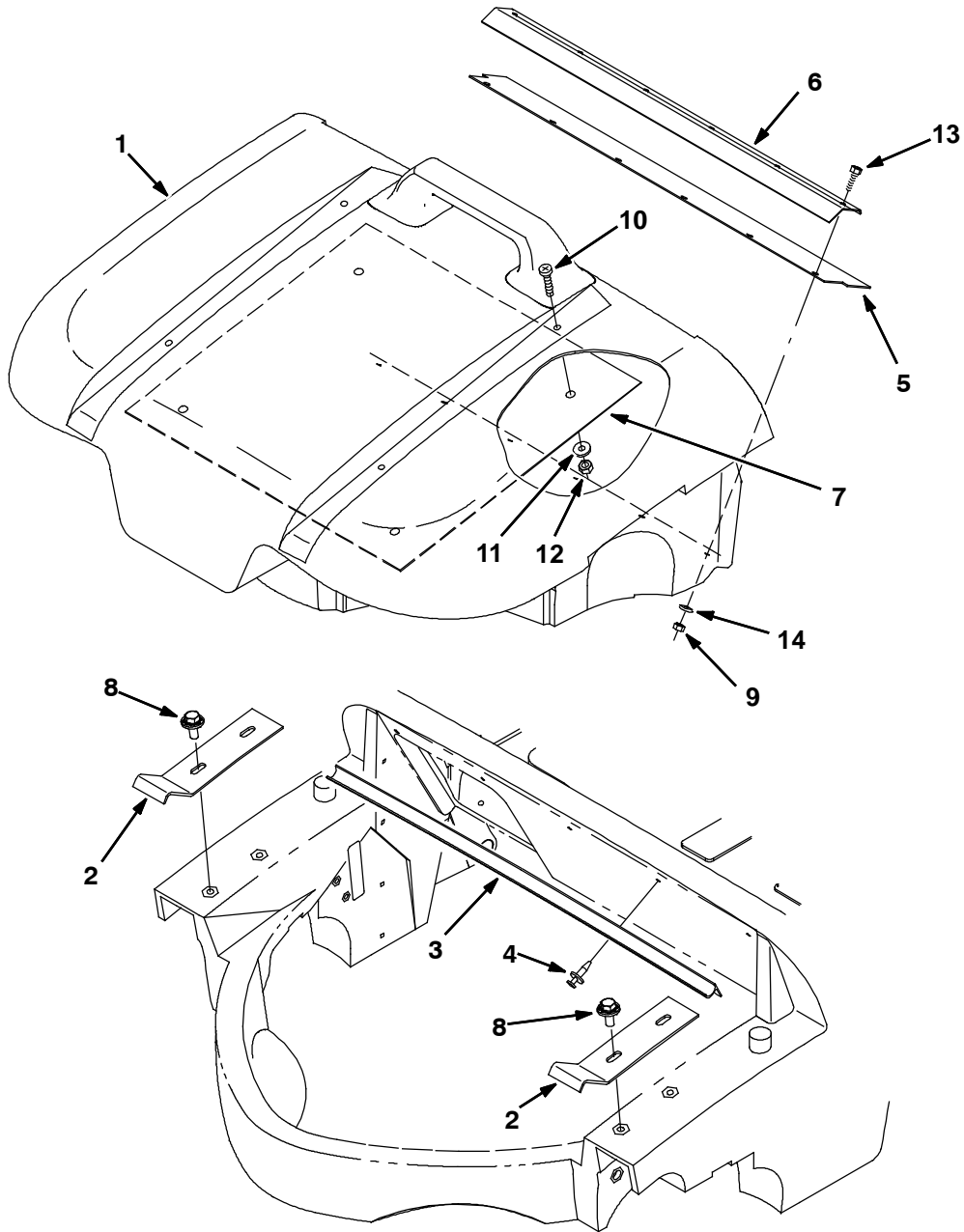


Fig. 7 - Hopper Group

Ref.	Part No.	Serial Number	Description	Qty.
1	9005833	(000000-) Hopper, Afmkt [3640]	1
2	80958	(000000-) Bracket, Support	2
3	80315	(000000-) Seal	1
4	72970	(000000-) Rivet, Plstc	5
5	373142	(000000-) Skirt, Hopper	1
6	80141	(000000-) Angle, Lip	1
7	80266	(000000-) Plate, Firewall	1
8	1020341	(000000-) Screw, Hex, M8 X 1.25 X 20, Ss, Sems	4
9	08712	(000000-) Nut, Hex, Lock, M6 X 1.0, Ss, NI	6
10	09737	(000000-) Screw, Pan, M8 X 1.25 X 20, 4.8	4
11	01685	(000000-) Washer, Flat, 0.31 Ss	4
12	08713	(000000-) Nut, Hex, Lock, M8 X 1.25, NI, Ss	4
13	08716	(000000-) Screw, Hex, M6 X 1.0 X 20, Ss	6
14	32490	(000000-) Washer, Flat, 0.25 Std	6

Fig. 8 - Vacuum Fan Group

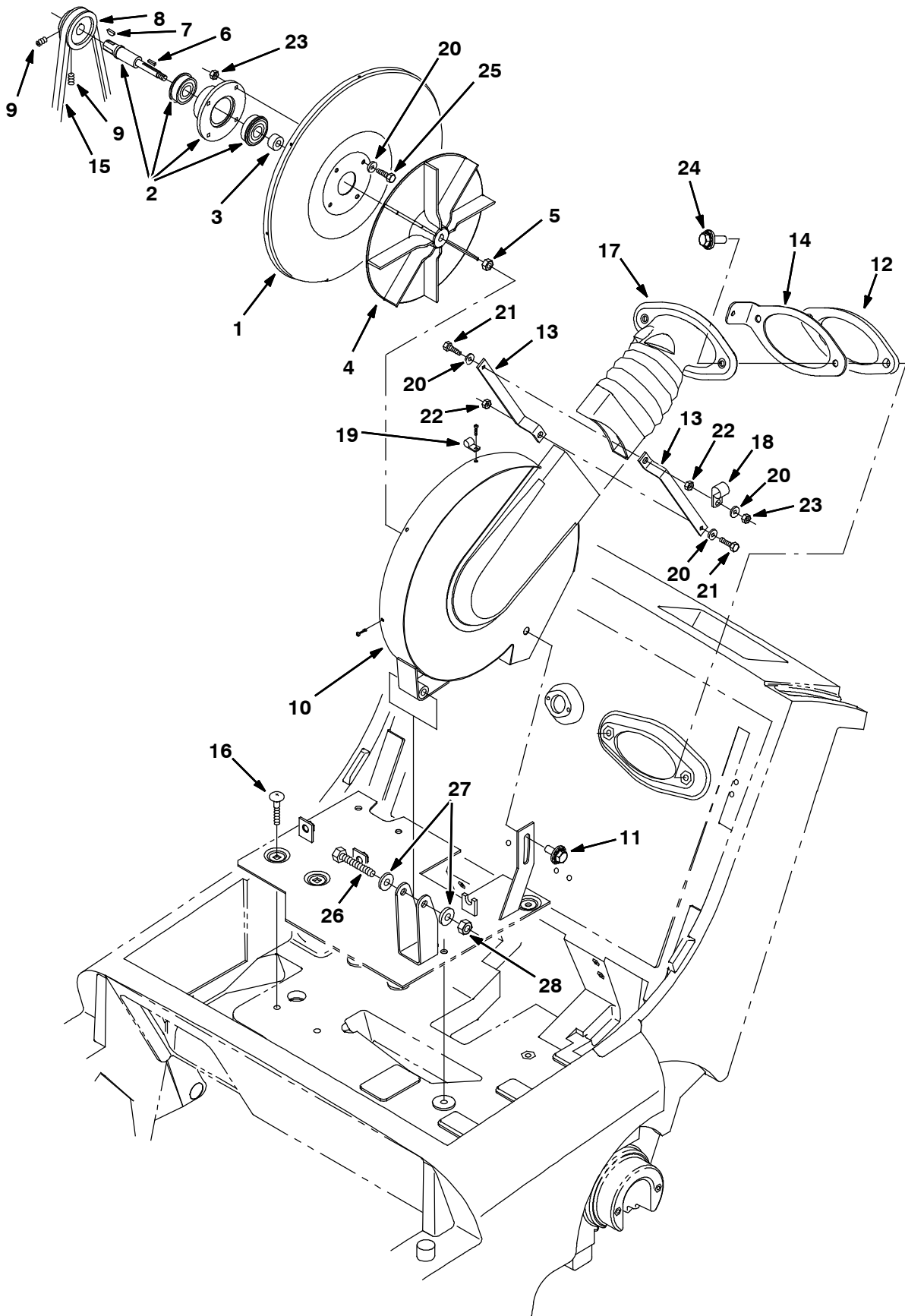


Fig. 8 - Vacuum Fan Group

Ref.	Part No.	Serial Number	Description	Qty.
1	80314	(000000-) Plate, Backing, Vac Fan	1
2	16934	(000000-) Shaft,Brg&Flange Assy- Fan	1
3	379203	(000000-) Spacer	1
4	80320	(000000-) Impeller, 9.06 Dia X 0.375B	1
5	87299	(000000-) Nut- Hxflexloc .31- 24 Thin Pltd	1
6	00960	(000000-) Key Square 0.12 0.12 00.50 Lg	1
7	00500- 4	(000000-) Key- Wdruff 0.12 0.50 Asa#0404	1
8	1025304	(000000-) Sheave, [3/4],1grv, 1.8/2.1pd 0.63b	1
9	46820	(000000-) Scr- Set .31- 18X0.38 Nylon Loc	2
10	80088	(000000-) Vacuum Fan Housing	1
11	1020341	(000000-) Screw, Hex, M8 X 1.25 X 20, Ss, Sems	1
12	80260	(000000-) Gasket, Vac Fan	1
13	80104	(000000-) Bar, Transition Mtg	2
14	80029	(000000-) Plate, Vac Fan, Prop Rod	1
15	80940	(000000-) V- Belt 3L 230 - One	1
16	69915	(000000-) Bolt- Carrm 8X1.25 40 4.6	2
17	80136	(000000-) Transition, Vacfan, Electric	1
18	67767	(000000-) Clamp, Cable	1
19	09385	(000000-) Clamp, Cable, Poly	1
20	32490	(000000-) Washer, Flat, 0.25 Std	7
21	06943	(000000-) Screw, Hex, M6 X 1.0 X 20, 8.8	2
22	07790	(000000-) Nut, Hex, Flng, M6 X 1.0	2
23	08708	(000000-) Nut, Hex, Lock, M6 X 1.0, NI	5
24	1072628	(000000-) Screw, Hex, M8 X 1.25 X 25, Ss, Sems	2
25	06942	(000000-) Screw, Hex, M6 X 1.0 X 16, 8.8	4
26	06963	(000000-) Screw, Hex, M10 X 1.5 X 60, 8.8	1
27	32485	(000000-) Washer, Flat, 0.38 Sae	2
28	41430	(000000-) Nut, Hex, Lock, M10 X 1.5, NI	1

Fig. 9 - Vacuum Housing Group

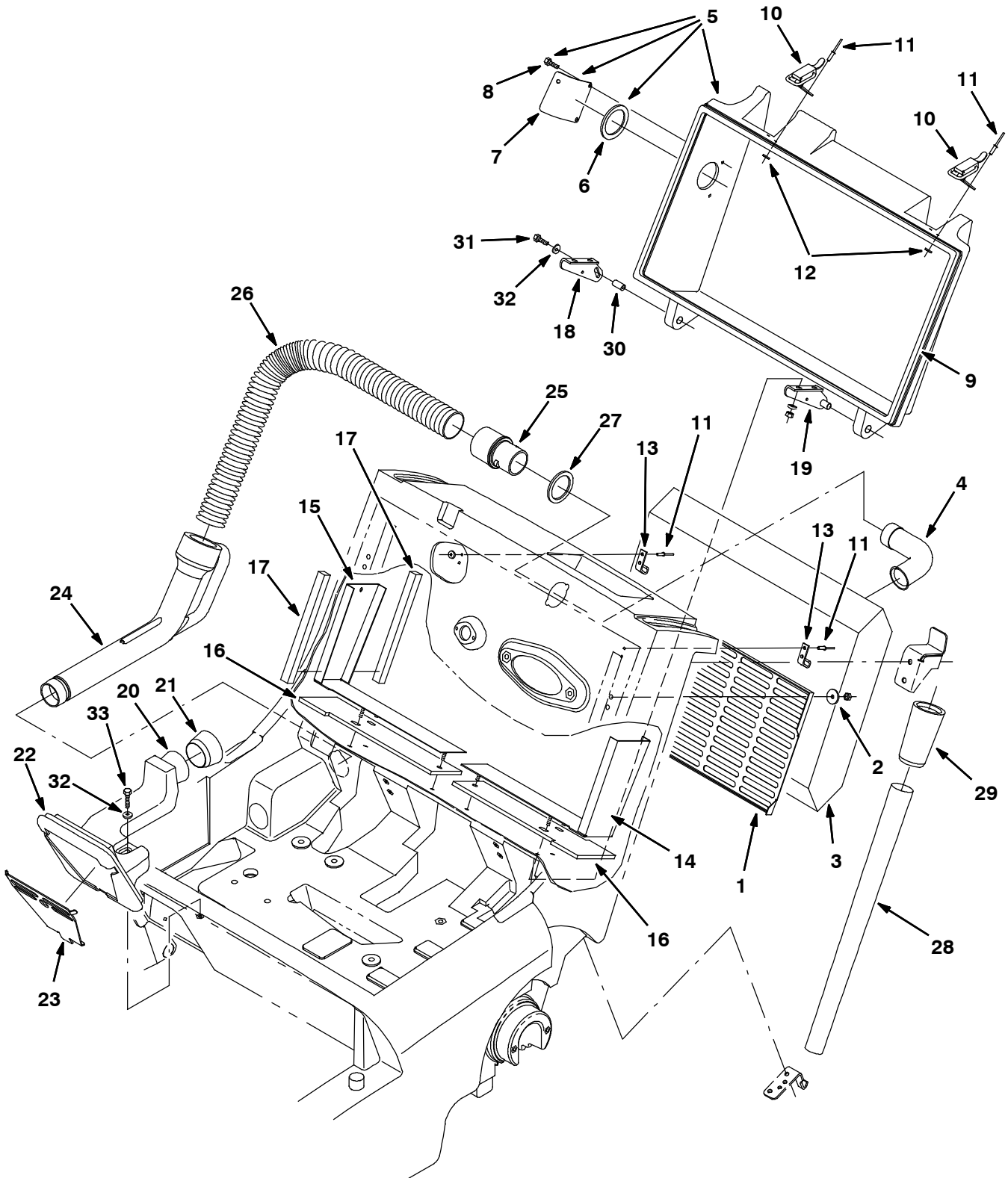


Fig. 9 - Vacuum Housing Group

Ref.	Part No.	Serial Number	Description	Qty.
	1	80103	(000000-) Screen, Vacuum Bag	1
	2	41178	(000000-) Washer, Flat, .25 Fender	2
	3	80432	(000000-) Bag, Vacuum, Disposable 10PK	1
	4	80433	(000000-) Tube, Vacuum	1
▽	5	373147	(000000-) Kit, Replmt, Door, Filter	1
▲	6	80392	(000000-) Gasket, Cuff	1
▲	7	373145	(000000-) Cover, Hole	1
▲	8	20394	(000000-) Screw, Hex #10	3
	9	80373	(000000-) Seal	1
	10	23709	(000000-) Catch, Draw Pull	2
	11	80218	(000000-) Rivet, Pop .196Dx.76X38Dhd	8
	12	08793	(000000-) Washer	8
	13	80368	(000000-) Clip, Latch	2
	14	80971	(000000-) Plate	1
	15	80021	(000000-) Bracket, Sealing, Rh	1
	16	80052	(000000-) Seal, Cover	2
	17	80064	(000000-) Seal, Foam .62 .62 8.0	4
	18	379227	(000000-) Bracket, Pivot	1
	19	80011	(000000-) Bracket, Pivot Lh	1
	20	9005838	(000000-) Housing, Vacuum, Afmkt [3640]	1
	21	373125	(000000-) Seal, Vac Wand	1
	22	80096	(000000-) Seal, Chamber	1
	23	80017	(000000-) Screen, Vacuum Inlet	1
	24	9005837	(000000-) Nozzle, Wand, Vacuum, 1.8od, Afmkt[3640]	1
	25	80270	(000000-) Cuff, Flex	1
	26	80464	(000000-) Hose, Flex	1
	27	80392	(000000-) Gasket, Cuff	1
	28	190039	(000000-) Tube, Extn, Blk [W- 500]	1
	29	80299	(000000-) Coupling, Vac- Wand	1
	30	379226	(000000-) Pin, Tapped	1
	31	06942	(000000-) Screw, Hex, M06	1
	32	32490	(000000-) Washer, Flat, .25	2
	33	06945	(000000-) Screw, Hex, M6 X 1.0 X 30, 8.8	1

Fig. 10 - Brush Lift Handles Group

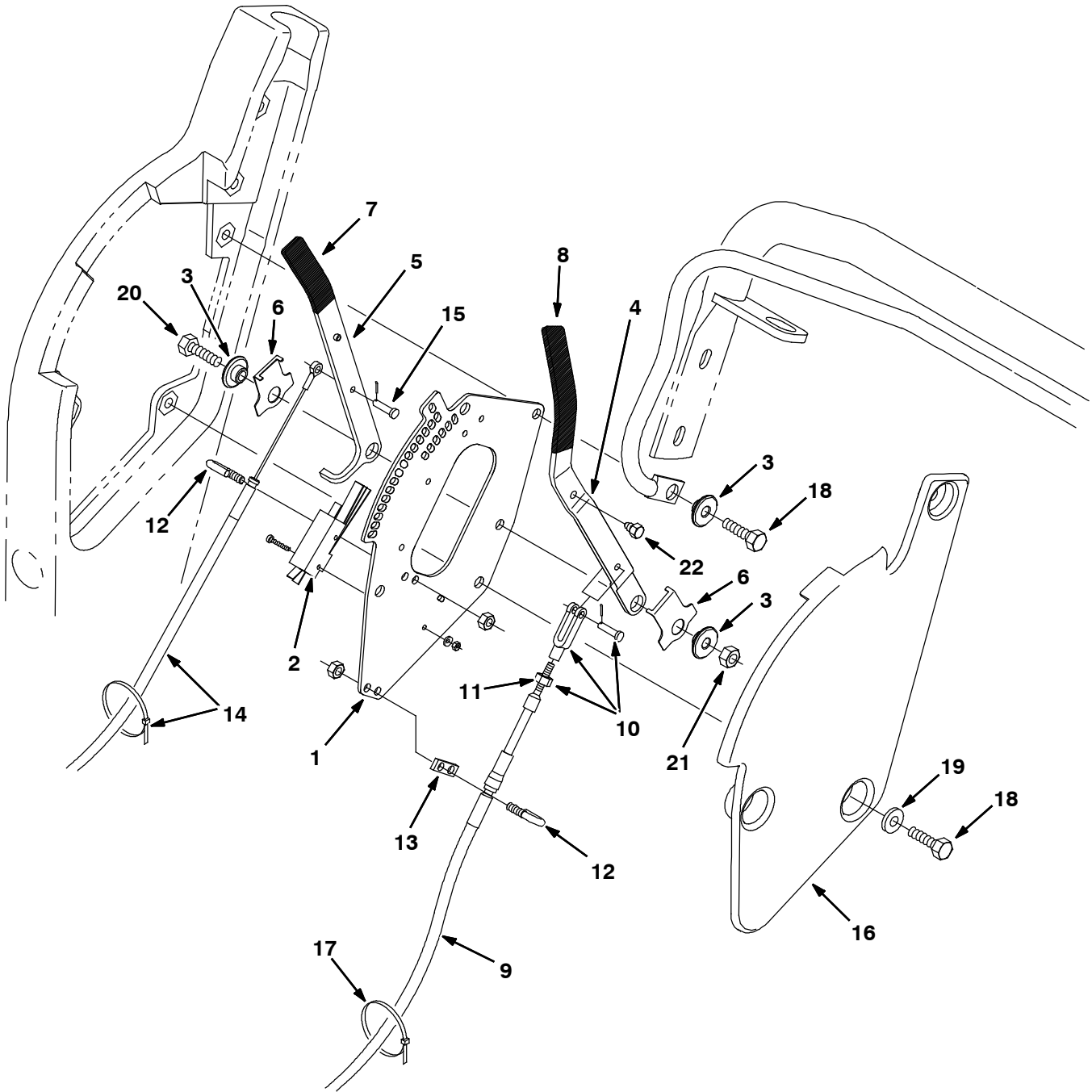


Fig. 10 - Brush Lift Handles Group

Ref.	Part No.	Serial Number	Description	Qty.
1	80411	(000000-) Plate, Mounting Rh	1
2	1008142	(000000-) Switch, Snap Actn, 250vdc 25a Spdt	1
3	80950	(000000-) Bushing, Flanged	3
4	379211	(000000-) Handle, Lift, Main Brush	1
5	379210	(000000-) Handle, Lift, Side Brush	1
6	80480	(000000-) Spring, Detent	2
7	80372	(000000-) Grip, Vinyl .18X.75.2.00	1
8	80979	(000000-) Grip, Vinyl .18X .75X 5.00	1
9	80190	(000000-) Cable Assy, Main Brush	1
▽	10	27880	(000000-) Yoke Assy.	1
▲	11	01713	(000000-) Nut- Hx Std 10- 32 G2 Pltd	1
12	80425	(000000-) Bolt, Bent, M6	2
13	80429	(000000-) Support, Cable	1
14	80302	(000000-) Replacement Kit, Sidebrush Cable	1
15	36376	(000000-) Pin,Clevis, .19 Dia.X .50 Lg	1
16	80414	(000000-) Plate, Access, Rh	1
17	49266	(000000-) Tie, Cable 1.75D Max 7.50Lg	2
18	12273	(000000-) Screw, Hex, M8 X 1.25 X 20, Ss, NI	4
19	01685	(000000-) Washer, Flat, 0.31 Ss	3
20	76570	(000000-) Screw, Hex, M8 X 1.25 X 30, 8.8	1
21	08709	(000000-) Nut, Hex, Lock, M8 X 1.25, NI	1
22	80972	(000000-) Bolt, .25- 28, Mtg, Swp, Carpet [3640]	1

Fig. 11 - Clutch and Shift Handle Group

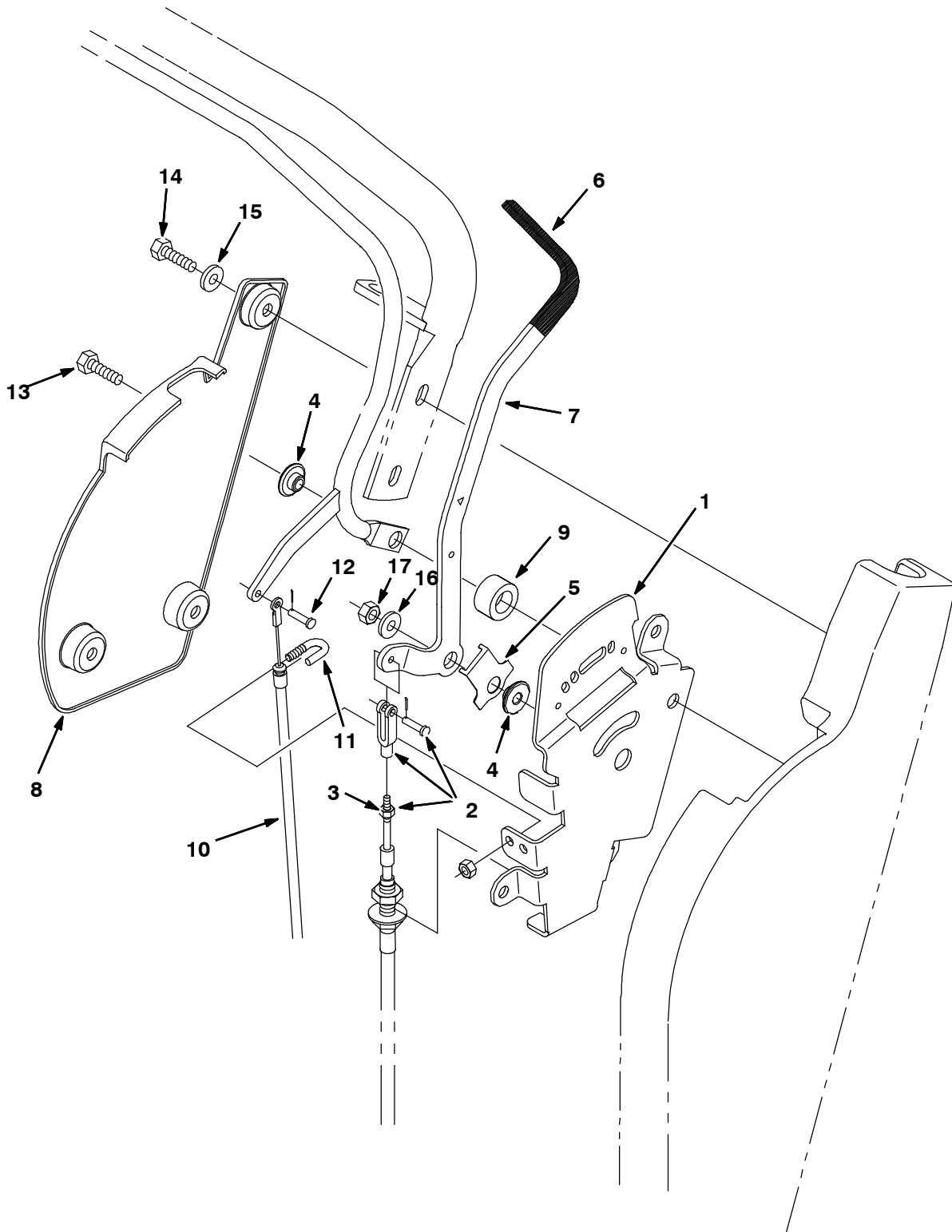


Fig. 11 - Clutch and Shift Handle Group

Ref.	Part No.	Serial Number	Description	Qty.
	1	80428	(000000-) Plate, Pivot, Lh	1
▽	2	80184	(000000-) Yoke Assy, 10- 32	1
▲	3	01713	(000000-) Nut- Hx Std 10- 32 G2 Pltd	1
	4	80950	(000000-) Bushing, Flanged	2
	5	80480	(000000-) Spring, Detent	1
	6	80979	(000000-) Grip, Vinyl .18X .75X 5.00	1
	7	80927	(000000-) Handle, Shift	1
	8	80589	(000000-) Plate, Access, Lh	1
	9	80496	(000000-) Spacer, Pivot .62Lg	1
	10	80192	(000000-) Cable, Pull Cl	1
	11	80425	(000000-) Bolt, Bent, M6	1
	12	36376	(000000-) Pin,Clevis, .19 Dia.X .50 Lg	1
	13	12333	(000000-) Screw, Hex, M8 X 1.25 X 25, Ss, NI	1
	14	12273	(000000-) Screw, Hex, M8 X 1.25 X 20, Ss, NI	3
	15	01685	(000000-) Washer, Flat, 0.31 Ss	3
	16	32490	(000000-) Washer, Flat, 0.25 Std	1
	17	08709	(000000-) Nut, Hex, Lock, M8 X 1.25, NI	1

Fig. 12 - Electric Motor Group

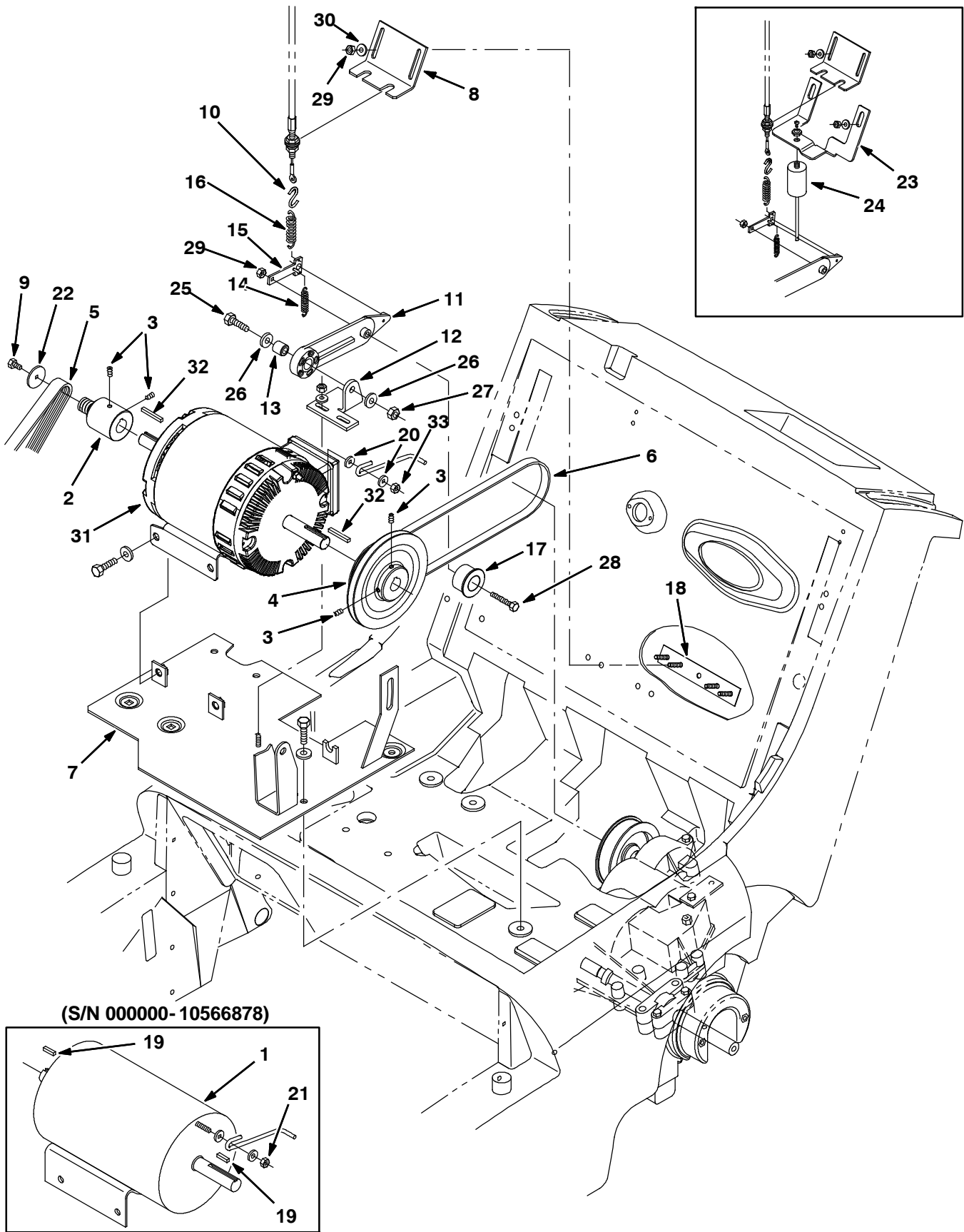


Fig. 12 - Electric Motor Group

	Ref.	Part No.	Serial Number	Description	Qty.
▽	1	377431	(000000- 10566878) Motor, Ele, 24vdc 1.00hp 1750rpm 42.0a (Replaced by 1068526)	1
▲		01739	(000000-) Brush Kit - 4 Brushes Included	1
▲		01740	(000000-) Brush Spring (1 Only)	4
	2	373139	(000000-) Pulley, Drive	1
	3	09162	(000000-) Scr- Set M 6X1.0 8 Nylonloc	4
	4	80242	(000000-) Sheave, 3L 2Gr 3.2Pd 5.5Pd	1
▽		80117	(000000-) Belt Kit, Main Brush, Replmt[6080/3640e]	1
▲	5	80139	(000000-) Belt, Ribbed, 36.0I [J8]	1
	6	80152	(000000-) Belt, Flat .75Wide X 33.0 Circ	1
	7	80357	(000000-) Plate Wldt, Floor, Elec	1
	8	80407	(000000-) Bracket, Cable, Clutch	1
	9	06941	(000000-) Scr, Hex, M6	1
	10	43363	(000000-) S- Hook	1
	11	80405	(000000-) Arm, Clutch Pivot	1
	12	80406	(000000-) Bracket, Clutch Pivot	1
	13	80409	(000000-) Sleeve, .344B .62D .58	1
	14	378769	(000000-) Sprng,Tens, .36Od .03Wire 1.5L	1
	15	80319	(000000-) Bar, Clutch	1
	16	75575	(000000-) Spring, Tens,0.5Dx.06Wire 2.5L	1
	17	80079	(000000-) Pulley, Idler	1
	18	80408	(000000-) Plate, Cable, Clutch	1
	19	00915	(000000- 10566878) Key, Square .18x .18x 1.38	2
	20	80322	(000000-) Brake, Belt, Elec	1
	21	75934	(000000- 10566878) Nut, Hex, Lock, .25- 20, NI	1
	22	41178	(000000-) Washer, Flat, Fender	1
	23	80065	(000000- xxxxxx) Bracket, Mounting, Dampener, E (Replaced by None)	1
	24	80959	(000000- xxxxxx) Dampener, Push, 15Lbs (Replaced by None)	1
	25	06955	(000000-) Screw, Hex, M8 X 1.25 X 35, 8.8	1
	26	32491	(000000-) Washer, Flat, 0.31 Std	2
	27	08709	(000000-) Nut, Hex, Lock, M8 X 1.25, NI	1
	28	06946	(000000-) Screw, Hex, M6 X 1.0 X 35, 8.8	1
	29	08708	(000000-) Nut, Hex, Lock, M6 X 1.0, NI	3
	30	32490	(000000-) Washer, Flat, 0.25 Std	2
▽	31	1068526	(10566879-) Motor Kit, Ele, 24vdc 1750rpm 1.00hp	1
		1066574	(10566879-) Vr, Brush Kit, Motor (1 Pkg = 4 Brushes)	1
▲	32	00916	(10566879-) Key, Sq, 0.19 X 0.19, 1.50I	2
▲	33	08708	(10566879-) Nut, Hex, Lock, M6 X 1.00, NI	1

Fig. 13 - Battery Cover Group

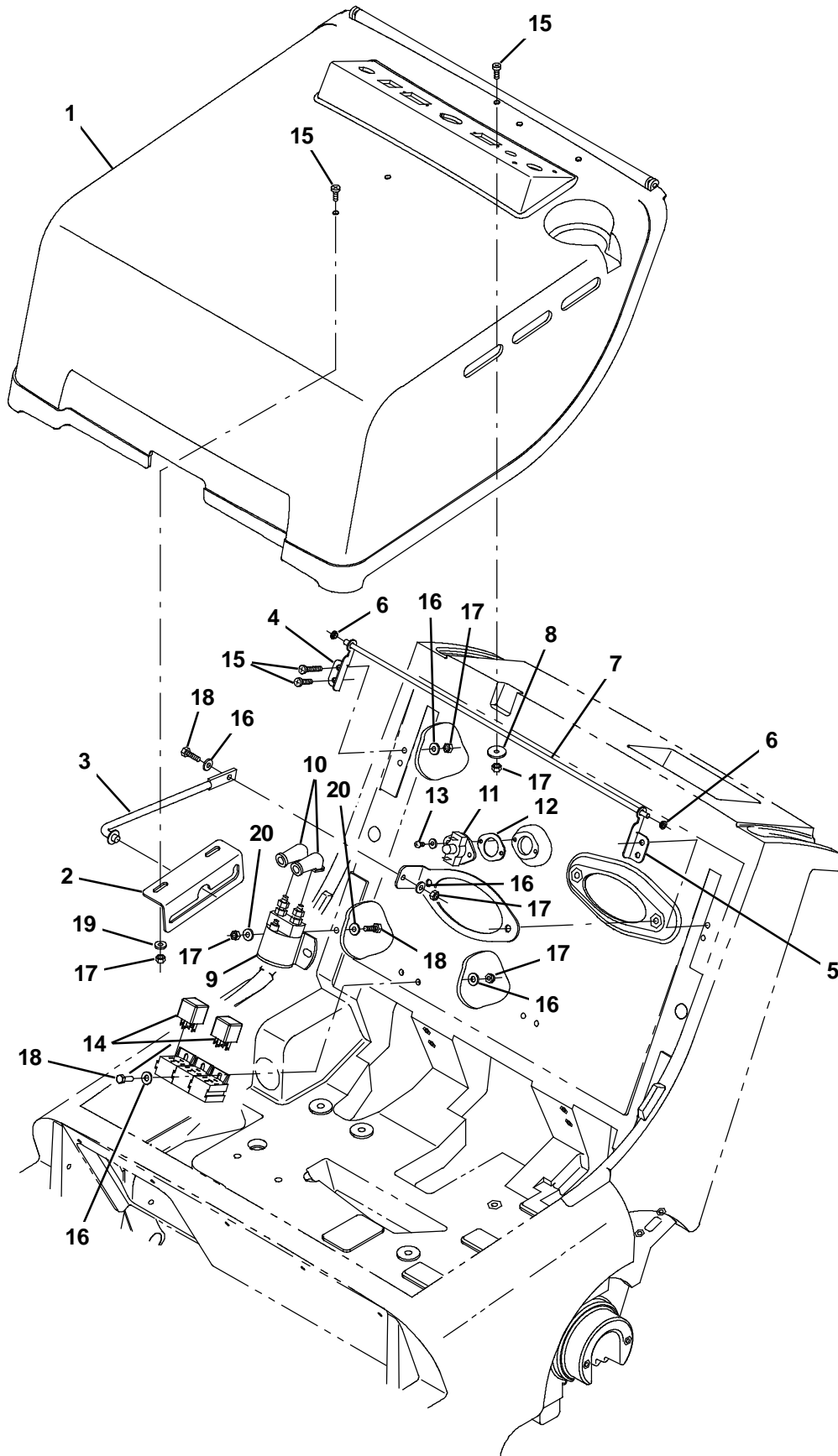
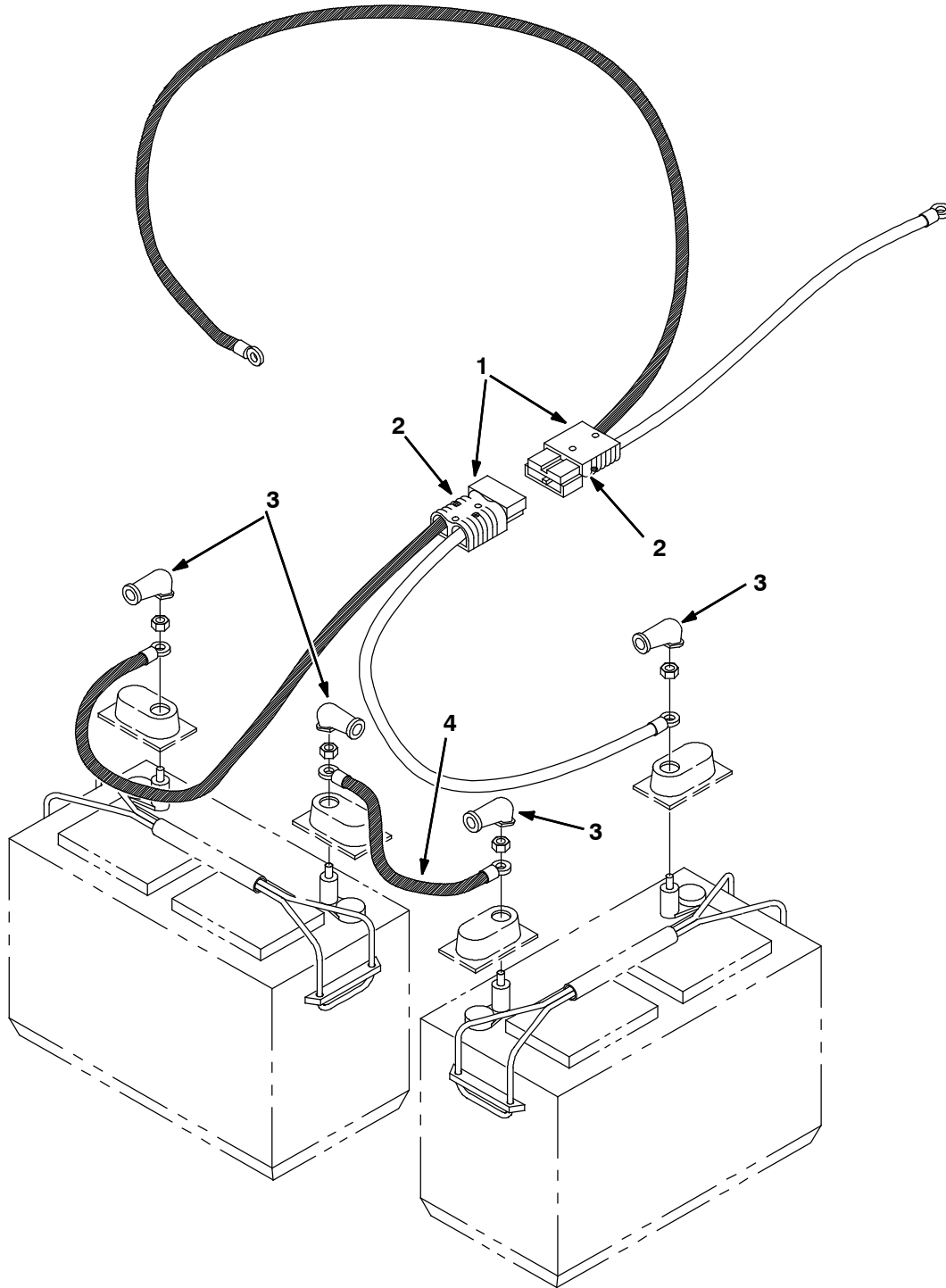


Fig. 13 - Battery Cover Group

Ref.	Part No.	Serial Number	Description	Qty.
1	80204	(000000-) Hood, E w/Labels TJ	1
2	80364	(000000-) Bracket, Rod, Propel	1
3	54615	(000000-) Rod, Seat	1
4	80949	(000000-) Pivot, Hinge, Eng Cover, Rh,E	1
5	80837	(000000-) Pivot, Hinge, Eng Cover, Left	1
6	80921	(000000-) Bearing, Snap- In, .250 Bore	2
7	80924	(000000-) Rod, Hinge Pin, Nylon	1
8	41178	(000000-) Washer, Flat, 0.25 Fender	1
9	02424	(000000-) Contactor, 24Volt Dc	1
10	02076	(000000-) Boot, 90 Deg .50D .57X .84	2
11	02712	(000000-) Thermostat Assembly,140 Deg	1
12	82733	(000000-) Gasket, Fire Switch	1
13	49162	(000000-) Screw- Pan 08- 10X.050	2
14	49309	(000000-) Relay, 24V Dc Spdt	2
15	09164	(000000-) Screw, Pan, M6 X 1.0 X 20, 4.8	7
16	32483	(000000-) Washer, Flat, 0.25 Sae	10
17	08708	(000000-) Nut, Hex, Lock, M6 X 1.0, NI	12
18	06943	(000000-) Screw, Hex, M6 X 1.0 X 20, 8.8	5
19	01684	(000000-) Washer, Flat, 0.25 Ss	2
20	32490	(000000-) Washer, Flat, 0.25 Std	4

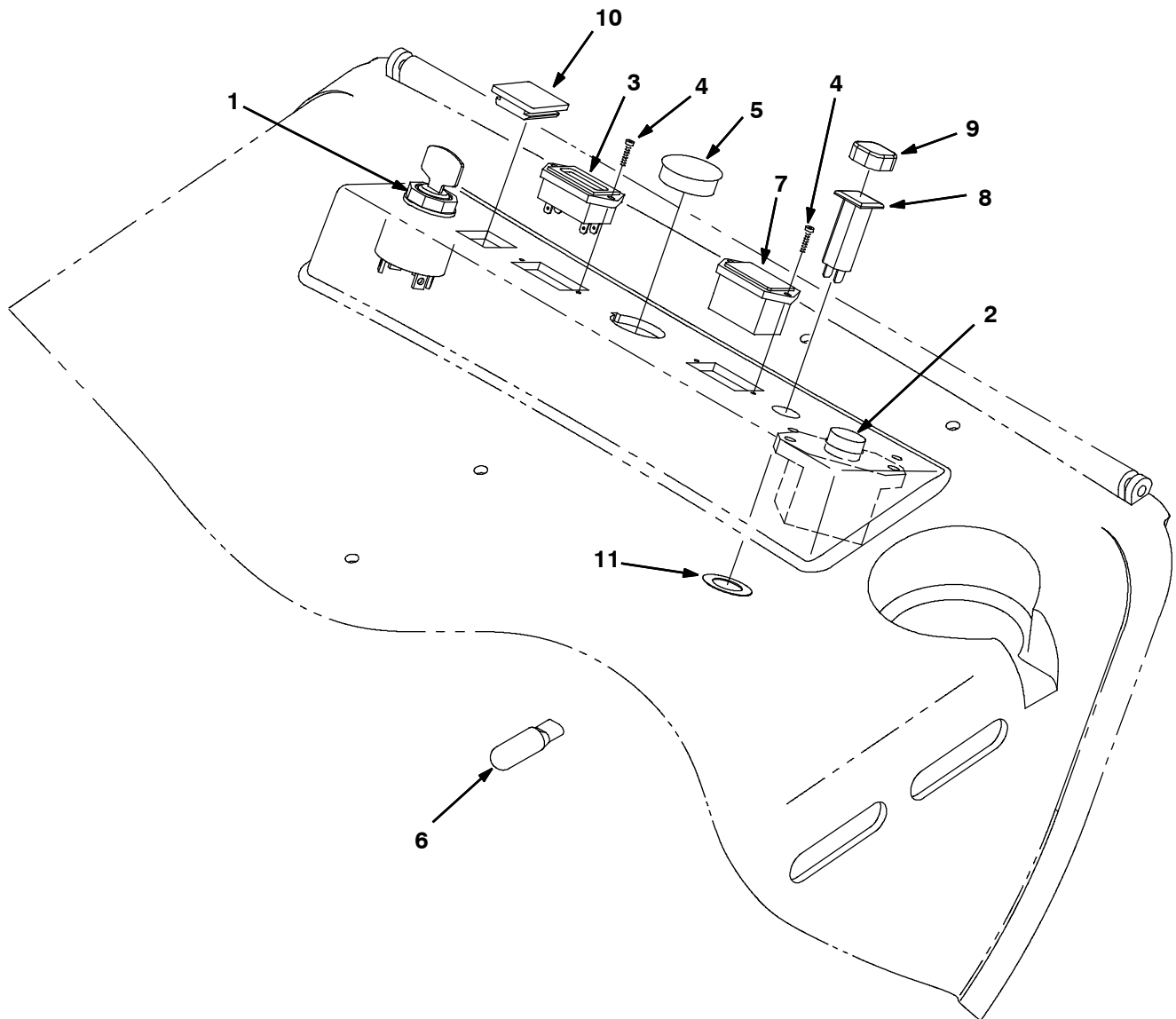
Fig. 14 - Battery Cable Harness Group



350876 - E

Ref.	Part No.	Serial Number	Description	Qty.
▽ 1	49443	(000000-) Harness, Cable Battery	2
▲ 2	49548	(000000-) Connector, Andersen 50amp Red	1
3	02076	(000000-) Boot, 90Deg .50D .57X .84	4
4	63735	(000000-) Cable Assy-Lead, 11.0, 6Ga	1

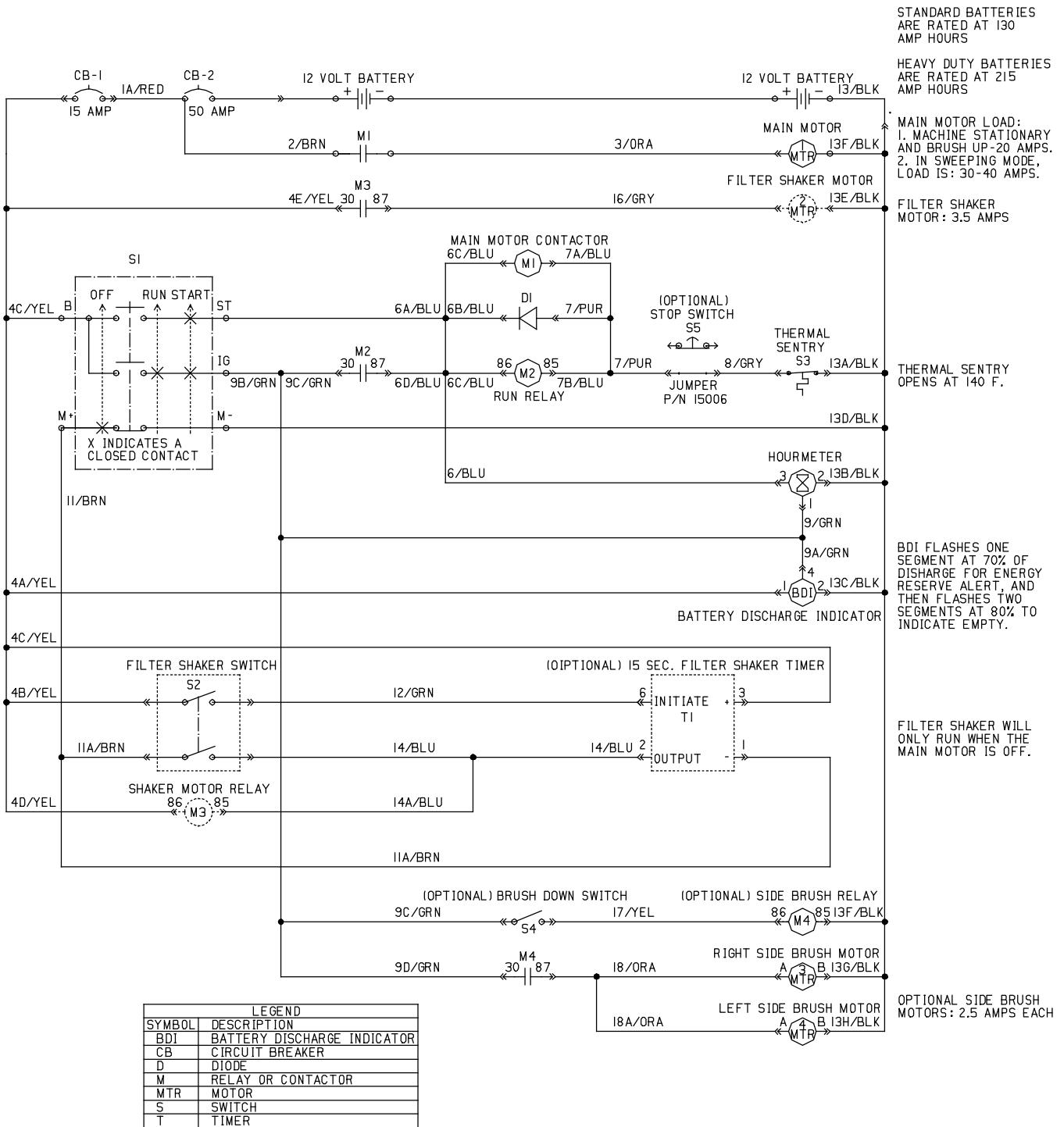
Fig. 15 - Instrument Panel Group



350880 - E

	Ref.	Part No.	Serial Number	Description	Qty.
▽	1	80331	(000000-) Switch, Key	1
▲		80181	(000000-) Key Set Rn	1
	2	375119	(000000-) Circuitbreaker, 50.0a [Resetable]	1
	3	80327	(000000-) Meter, Discharge, Battery	1
	4	222267	(000000-) Screw, Pnfmg 6X.50 Type Ab	4
	5	76888	(000000-) Plugbtn 1.25H.12 Max Blacknyl	1
	6	222290	(000000-) Diode, Elec, Plug	1
	7	31988	(000000-) Hourmeter, Electronic	1
	8	1064188	(10511016-) Circuitbreaker, 15.0a, Resetable	1
	8	1045858	(000000- 10511015) Circuitbreaker, 15a, Resetable (Rpld by 9004588)	1
	9	1064191	(10511016-) Boot, Circuitbreaker	1
	9	1046173	(000000- 10511015) Boot, Circuitbreaker (Rpld by 1064191)	1
	10	80277	(000000-) Plug, Switch	1
	11	1064190	(10511016-) Washer, Lock, Int, 0.60, Stl	1
	11	1046176	(000000- 10511015) Ring, Retaining, Circuitbreaker (Rpld by 1064190)	1

Fig. 16 - Electrical Schematic

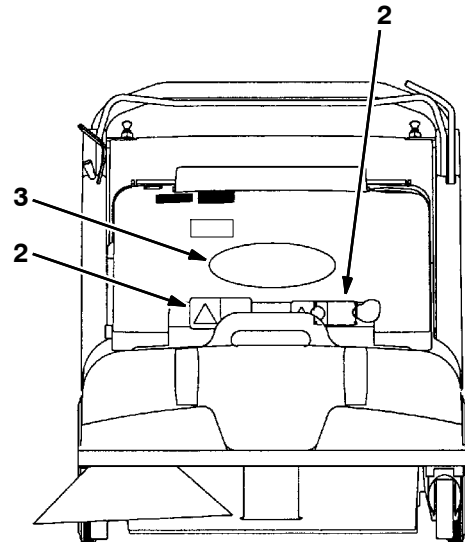
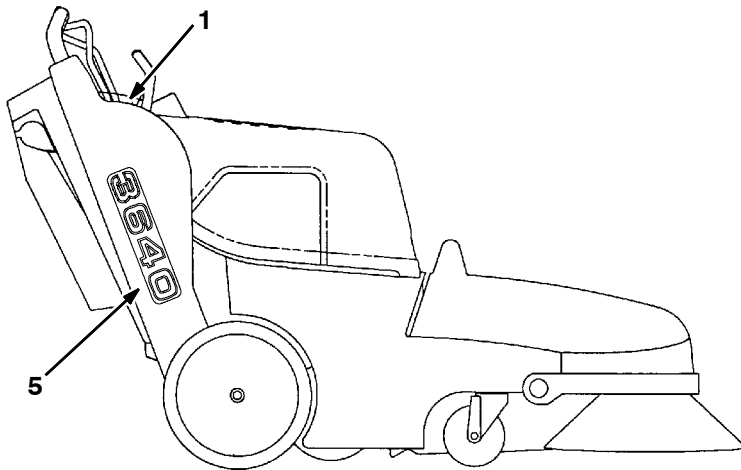
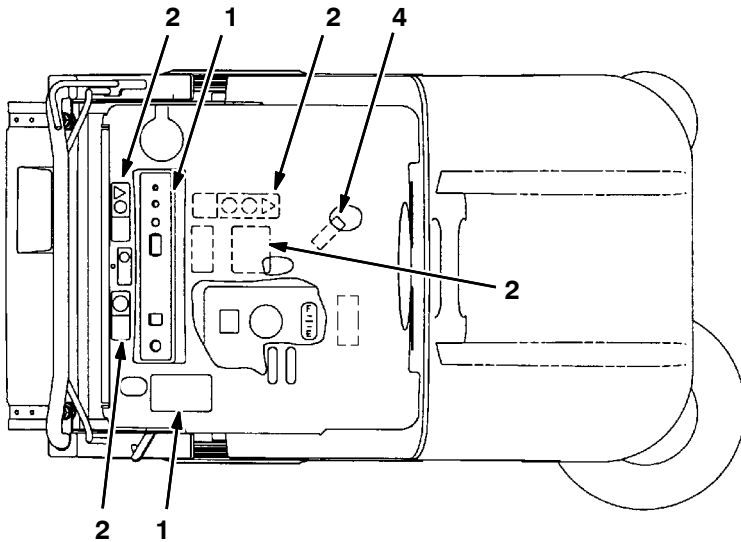


350889 - E

Fig. 17 - Wire Harness Group

Ref.	Part No.	Serial Number	Description	Qty.
1	80602	(000000-) Harness, Wire, Main E	1

Fig. 18 - Label Group



350910 - E

Ref.	Part No.	Serial Number	Description	Qty.
1	80349	(000000-) Label Set, Operational	1
2	80206	(000000-) Label Set, Info & Hzd TJ	1
3	09806	(000000-) Label, Tennant Logo	1
4	80112	(000000-) Label, Charger Connection	1
5	1048749	(000000-) Label, Side [3640]	2

SECTION 3

Contents	Page
Fig. 1 - Hopper Dump Assist Kit	3-2
Fig. 2 - Dual Side Brush Kit	3-4
Fig. 3 - Panel Filter Kit	3-6
Fig. 4 - Vacuum Bag Kit	3-8
Fig. 5 - High Flow To Standard Panel Kit	3-10
Fig. 6 - Standard To High Air Flow Kit	3-12
Fig. 7 - High Flow Vacuum Wand Kit	3-14
Fig. 8 - Vacuum Wand Extend Kit	3-16
Fig. 9 - Hepa Filter Kit	3-18
Fig. 10 - Wide Track Wheels Kit	3-20
Fig. 11 - Battery Group, 12VDC, CCA, 130AH, 130869	3-22
Fig. 12 - Battery Charger Group, 24VDC/19A 50/60HZ, 1067630	3-23
Fig. 13 - Hinge Repair Kit	3-24
Fig. 14 - Steel Static Chain Kit	3-25
Fig. 15 - Battery Cutout Button Kit	3-26
Fig. 16 - Carpet Sweeping Group, 105Amp hr ...	3-27
Fig. 17 - Main Brush Downpressure Kit	3-28
Fig. 18 - Documentation Group	3-29

Fig. 1 - Hopper Dump Assist Kit

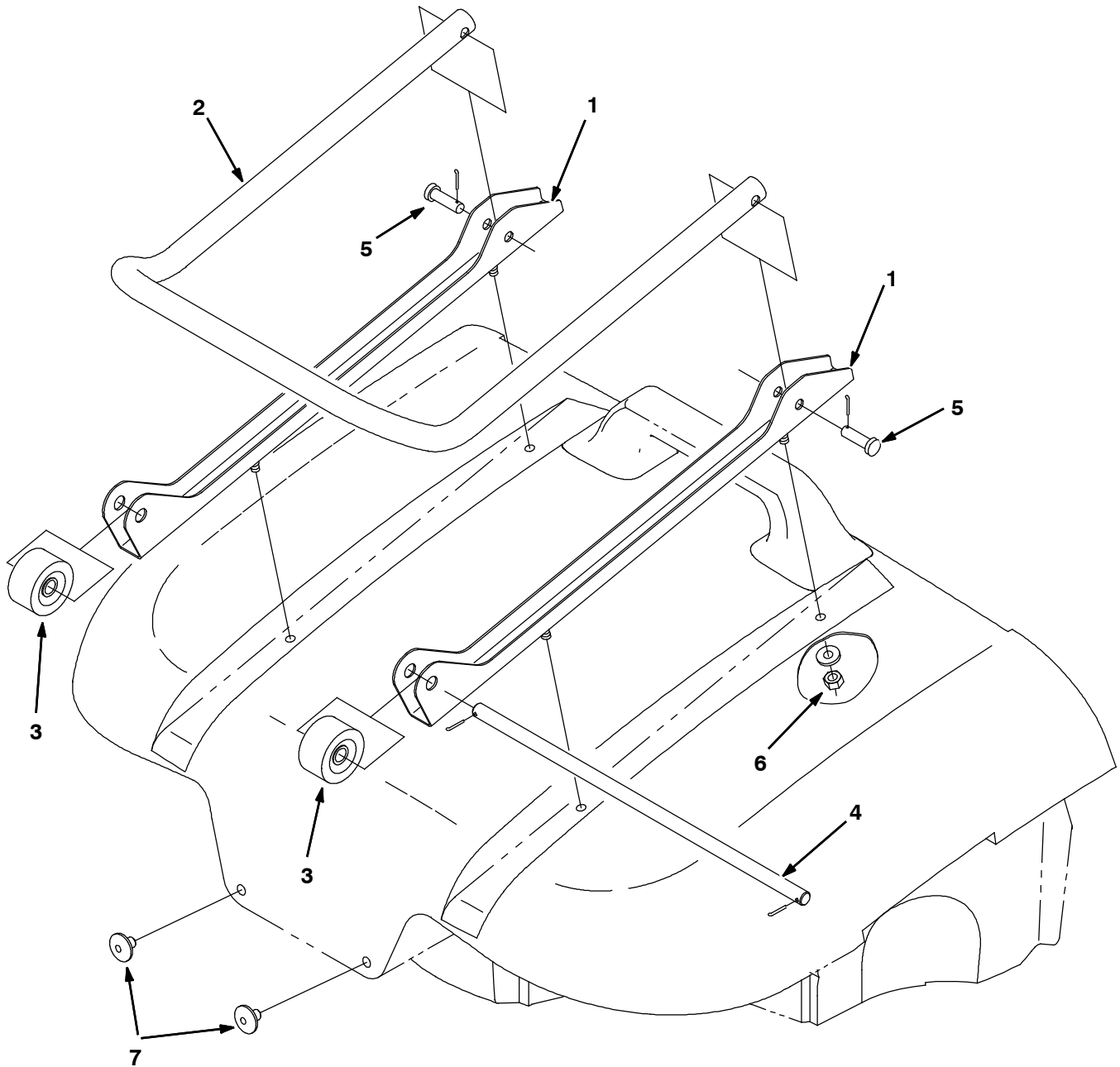


Fig. 1 - Hopper Dump Assist Kit

	Ref.	Part No.	Serial Number	Description	Qty.
▽		80249	(000000-) Hopper Dump Assist Kit	1
▲	1	80960	(000000-) Bracket, Hopper Assist	2
▲	2	80961	(000000-) Handle, Hopper Assist	1
▲	3	222403	(000000-) Wheel, 2.0 Dia	2
▲	4	80289	(000000-) Shaft, Hopper Assist	1
▲	5	29557	(000000-) Pin,Clevis,0.37 Dia.X 1.25 Lg	2
▲	6	08713	(000000-) Nut- Hxlocnyln M 8X1.25 Reg Ss	4
▲	7	80300	(000000-) Button, Wear	2

Fig. 2 - Dual Side Brush Kit

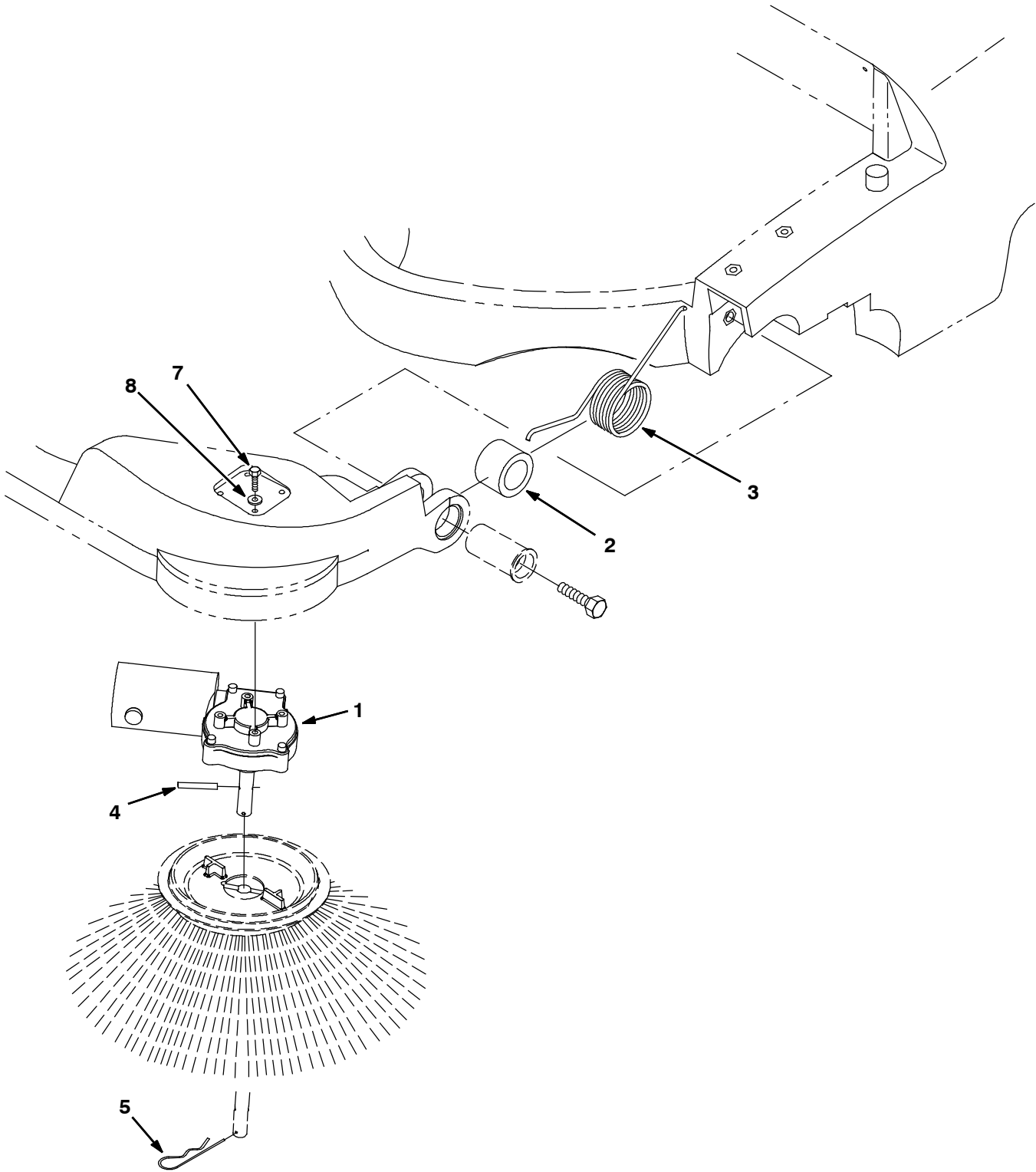


Fig. 2 - Dual Side Brush Kit

	Ref.	Part No.	Serial Number	Description	Qty.
▽		378763	(000000-) Kit, Brush, Side, Dual, 24V	1
▲▽	1	1056182	(000000-) Motor, Ele, 24vdc 0068rpm 0.08hp 04.5a	1
▲▲		80125	(000000-) Brush & Spring Assy	1
▲▲		80127	(000000-) Cap, Brush	2
▲▲		369795	(000000-) Holder, Brush	2
▲▲		369796	(000000-) Clip	2
▲	2	80321	(000000-) Sleeve	1
▲	3	379206	(000000-) Spring, Torsion	1
▲	4	11516	(000000-) Pin	1
▲	5	80042	(000000-) Side Brush	1
▲	6	02942	(000000-) Pin, Hair Cotter	1
▲	7	06943	(000000-) Screw, Hex, M6 X 1.0 X 20, 8.8	4
▲	8	32490	(000000-) Washer, Flat, 0.25 Std	4

Fig. 3 - Panel Filter Kit

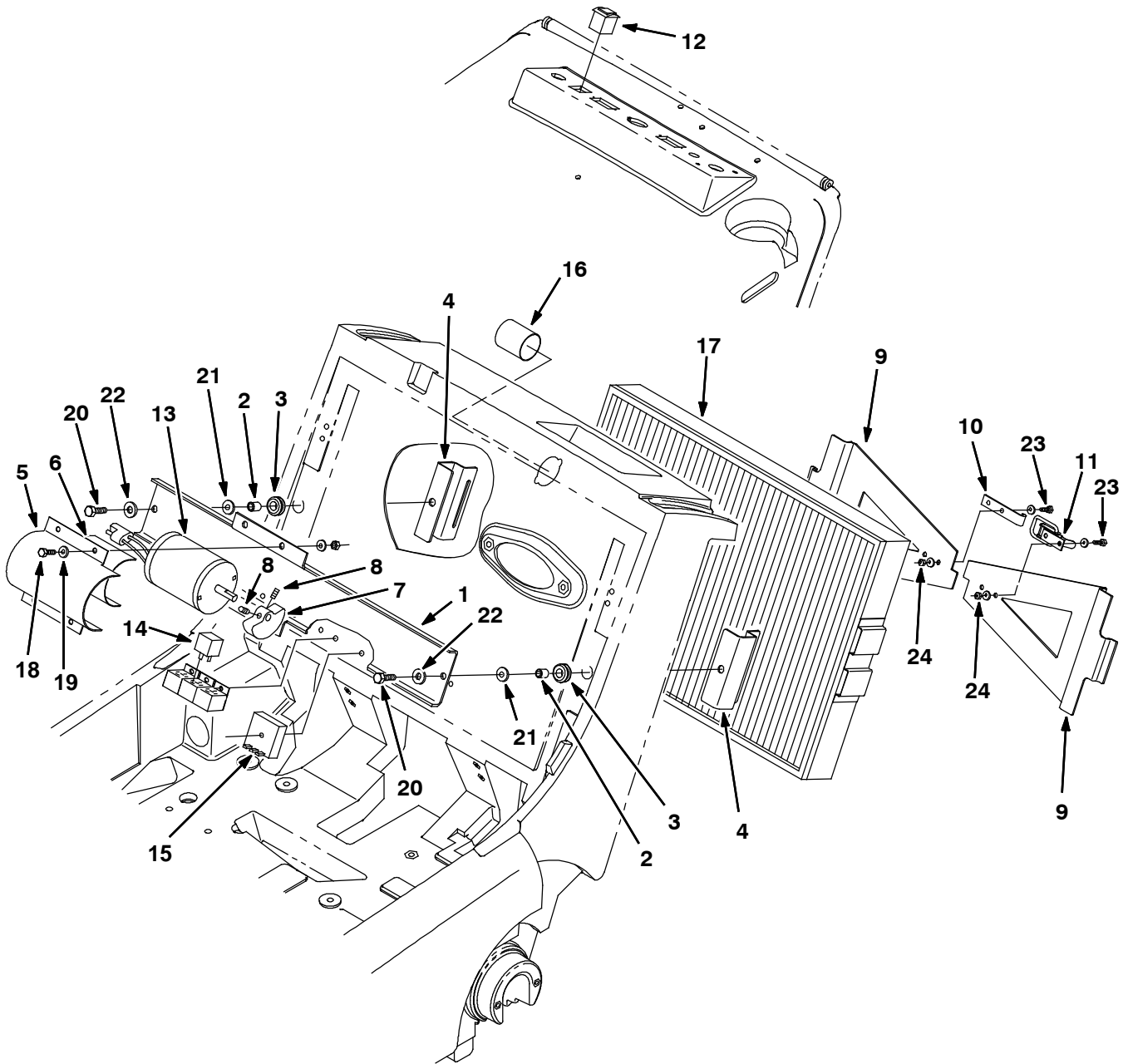


Fig. 3 - Panel Filter Kit

Ref.	Part No.	Serial Number	Description	Qty.
▽	80243	(000000-) Panel Filter Kit 24V	1
▲	1 80436	(000000-) Bar, Shaker Motor	1
▲	2 360930	(000000-) Sleeve, .318B .50D .65Ss	2
▲	3 87515	(000000-) Grommet,Rbr,0.50ld,For .25Matl	2
▲	4 379218	(000000-) Bracket, Shaker	2
▲	5 80437	(000000-) Strap, Shaker Motor	1
▲	6 44893	(000000-) Bar-Flt .06T 3.90W 10.00L Rbr	1
▲	7 1053321	(000000-) Weight, Eccentric, Pntd	1
▲	8 20634	(000000-) Set Screw	2
▲	9 80033	(000000-) Bracket, Retainer	2
▲	10 80107	(000000-) Strike, Latch	1
▲	11 23709	(000000-) Catch,Draw Pull	1
▲	12 80296	(000000-) Switch, Rocker, Dpst	1
▲	13 1059575	(000000-) Motor, Ele, 24vdc 1440rpm 0.08hp 03.0a	1
▲	14 49309	(000000-) Relay, 24V Dc Spdt	1
▲	15 80328	(000000-) Timer 24V	1
▲	16 80050	(000000-) Tube, Hose Cuff	1
▲	17 1037199	(000000-) Filter, Panl, Dust, 2.7 X 15.0 X 22.0	1
▲	18 06942	(000000-) Screw, Hex, M6 X 1.0 X 16, 8.8	4
▲	19 32490	(000000-) Washer, Flat, 0.25 Std	4
▲	20 09023	(000000-) Screw, Hex, M8 X 1.25 X 35, Ss, Fl	2
▲	21 32486	(000000-) Washer, Flat, 0.50 Sae	2
▲	22 01685	(000000-) Washer, Flat, 0.31 Ss	2
▲	23 12312	(000000-) Screw, Hex, M5 X 0.8 X 12, 8.8	4
▲	24 06549	(000000-) Nut, Hex, Lock, M5 X 0.8, NI	4

Fig. 4 - Vacuum Bag Kit

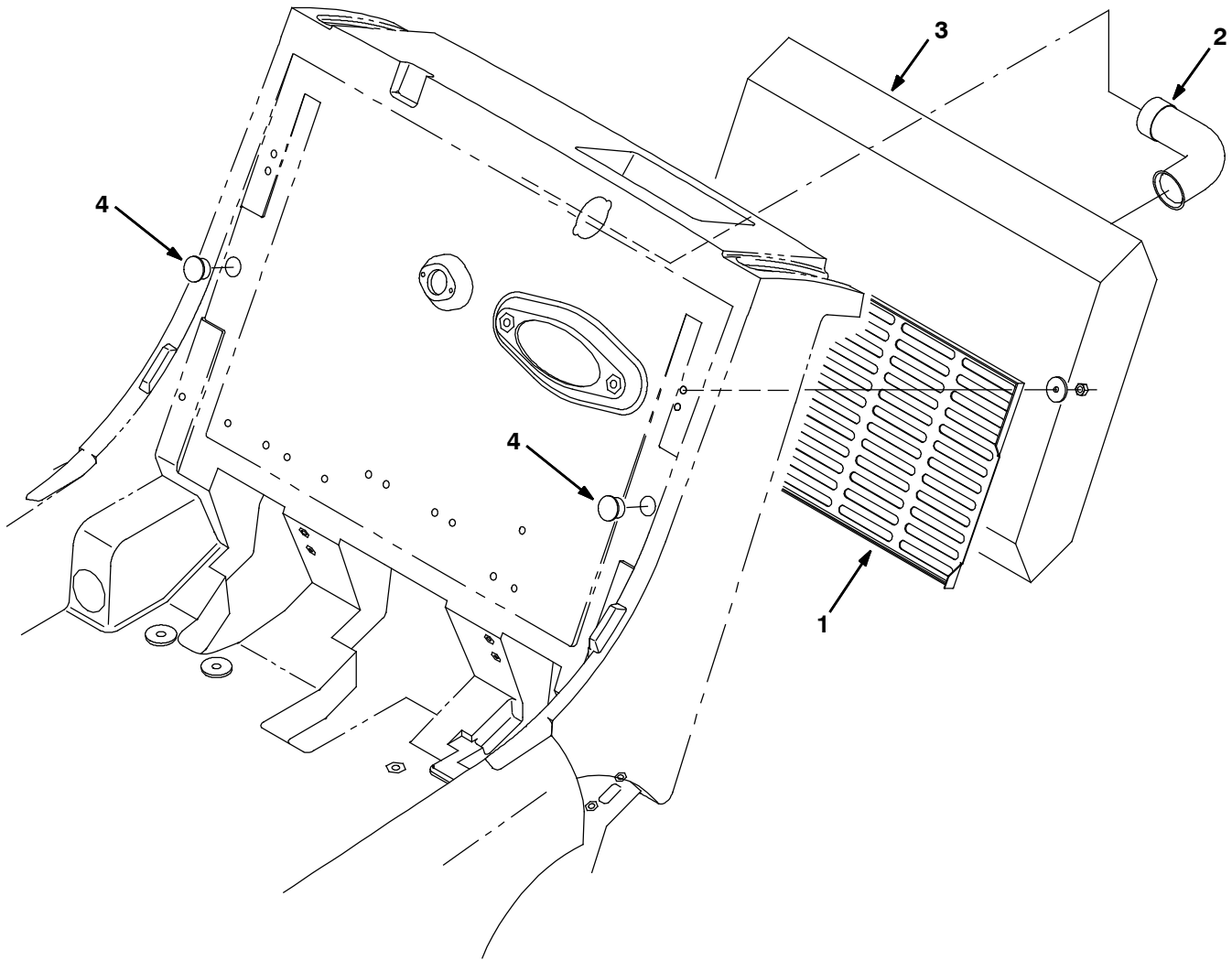


Fig. 4 - Vacuum Bag Kit

	Ref.	Part No.	Serial Number	Description	Qty.
▽		80301	(000000-) Conv Kit. Panel Filter To Bag	1
▲	1	80103	(000000-) Screen, Vacuum Bag	1
▲	2	80433	(000000-) Tube, Vacuum	1
▲	3	1067680	(000000-) Bag, Vacuum, Paper [1pick=1pkg] (1 Pkg = 10 Bags)	1
▲	4	80288	(000000-) Plug Button	2

Fig. 5 - High Flow To Standard Panel Kit

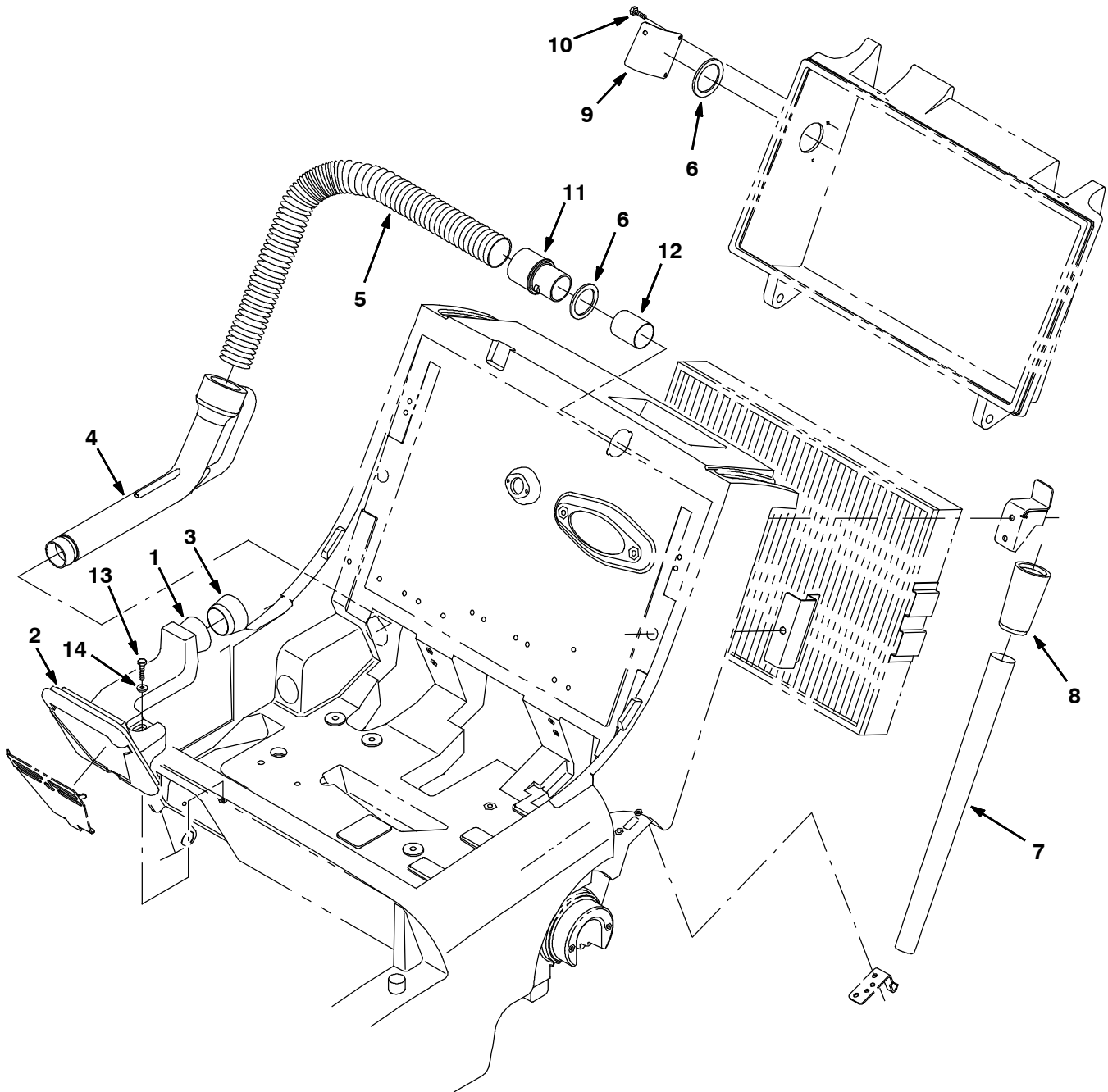


Fig. 5 - High Flow To Standard Panel Kit

	Ref.	Part No.	Serial Number	Description	Qty.
▽		373148	(000000-) Kit, High Air Flow To Std, Pan	1
▲▽		373129	(000000-) Kit, Replmt Vacuum Chamber	1
▲▲	1	9005838	(000000-) Housing, Vacuum, Afmkt [3640]	1
▲▲	2	80096	(000000-) Seal, Chamber	1
▲▲	3	373125	(000000-) Seal, Vac Wand	1
▲▲	4	9005837	(000000-) Nozzle, Wand, Vacuum, 1.8Od, Afmkt[3640]	1
▲	5	80464	(000000-) Hose, Flex	1
▲	6	80392	(000000-) Gasket, Cuff	2
▲	7	190039	(000000-) Tube, Extn, Blk [W- 500]	1
▲	8	80299	(000000-) Coupling, Vac- Wand	1
▲	9	373145	(000000-) Cover, Hole	1
▲	10	20394	(000000-) Screw, Hex, #10	3
▲	11	80270	(000000-) Cuff, Flex	1
▲	12	80050	(000000-) Tube, Hose	1
▲	13	06945	(000000-) Screw, Hex, M6 X 1.0 X 30, 8.8	1
▲	14	32490	(000000-) Washer, Flat, 0.25 Std	1

Fig. 6 - Standard To High Air Flow Kit

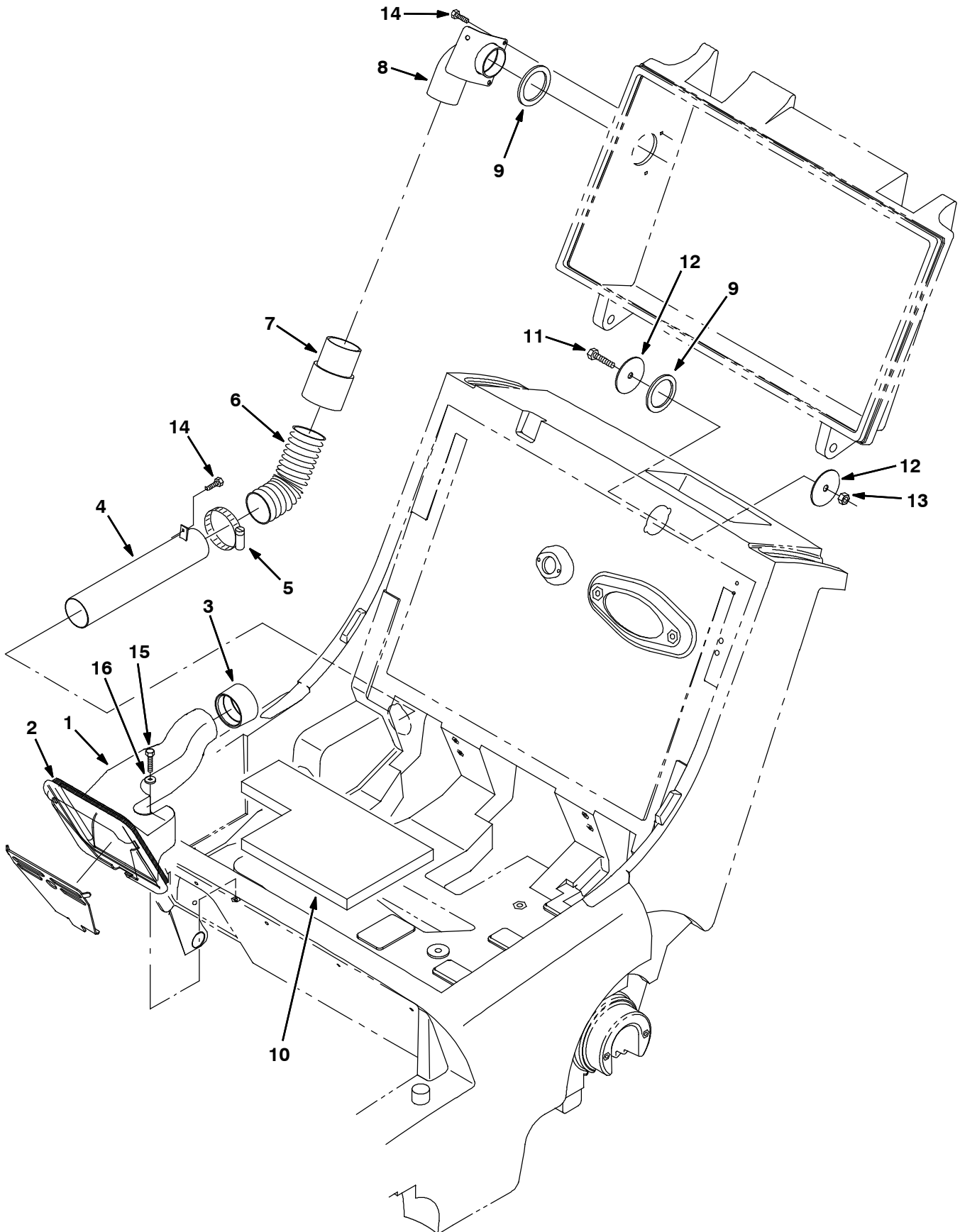


Fig. 6 - Standard To High Air Flow Kit

	Ref.	Part No.	Serial Number	Description	Qty.
▽		373121	(000000-) Kit, High Vac System Airflow	1
▲	1	9005836	(000000-) Duct, Vacuum, Hi- Flow, Afmkt [3640]	1
▲	2	80096	(000000-) Seal, Chamber	1
▲	3	373116	(000000-) Seal, Tube, Vacuum	1
▲	4	373123	(000000-) Tube, Vacuum	1
▲	5	22297	(000000-) Clamp, Wormdrive	1
▲	6	373118	(000000-) Hose, Flex	1
▲	7	83285	(000000-) Cuff, Hose	1
▲	8	373113	(000000-) Coupling, Hose, Elbow	1
▲	9	80392	(000000-) Gasket, Cuff	2
▲	10	373119	(000000-) Spacer, Battery	1
▲	11	76570	(000000-) Screw, Hex, M08- 1.25 X 30, 8.8	1
▲	12	373117	(000000-) Washer, Flat, 0.38b 2.25d .07, Stl, Pnt	2
▲	13	08709	(000000-) Nut, Hex, Lock, M08- 1.25	1
▲	14	20394	(000000-) Screw, Hex, #10	3
▲	15	06945	(000000-) Screw, Hex, M6 X 1.0 X 30, 8.8	1
▲	16	32490	(000000-) Washer, Flat, 0.25 Std	1

Fig. 7 - High Flow Vacuum Wand Kit

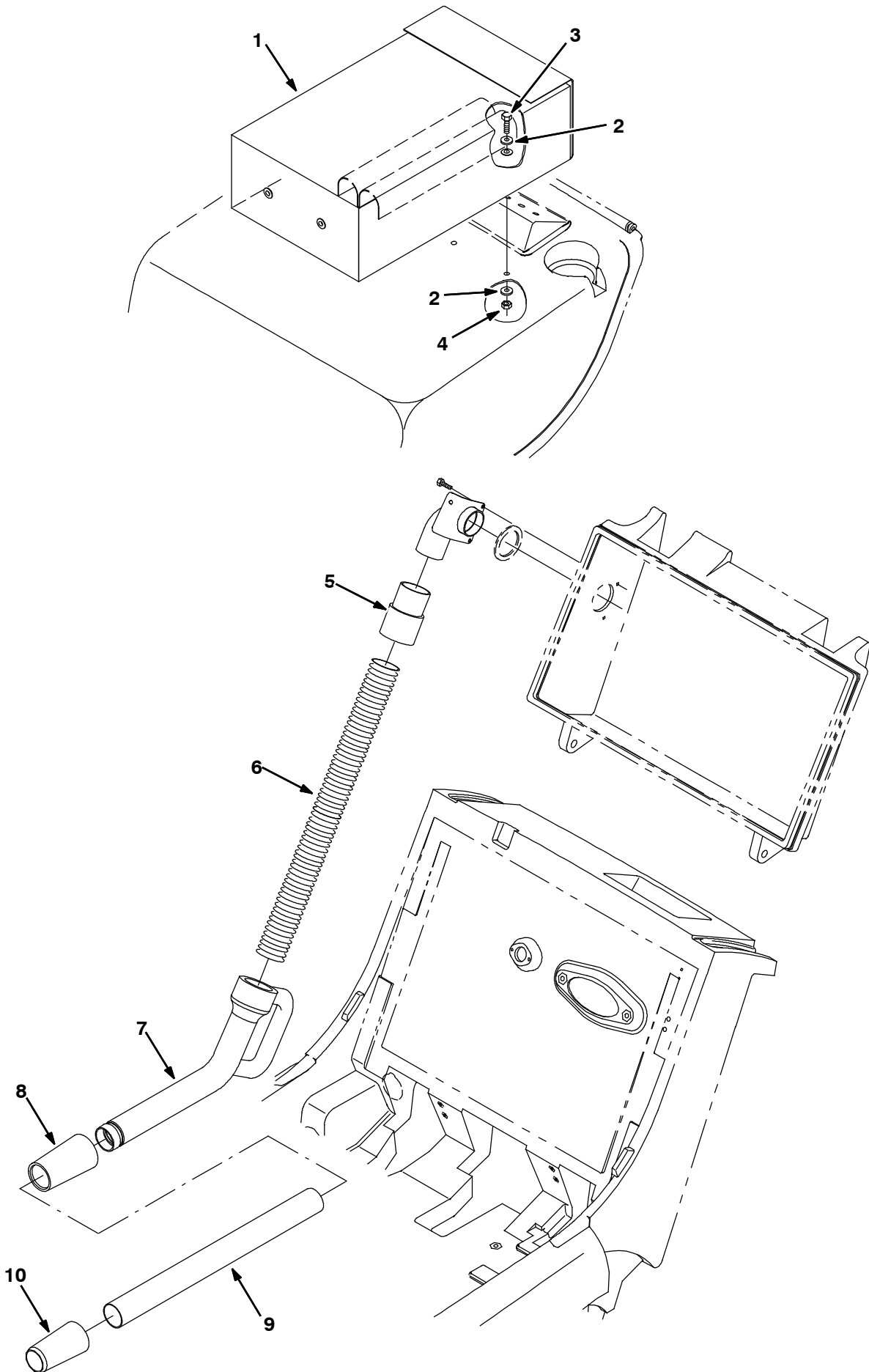


Fig. 7 - High Flow Vacuum Wand Kit

	Ref.	Part No.	Serial Number	Description	Qty.
▽		373137	(000000-) Kit, Vac Wand F/Hi Air Flow	1
▲	1	65580	(000000-) Bag, Power	1
▲	2	32492	(000000-) Washer, Flat, .38 Hard	4
▲	3	39277	(000000-) Screw, Hex, M08- 1.25 X 25, 8.8	2
▲	4	08709	(000000-) Nut, Hex, Lock, M08- 1.25	2
▲	5	83285	(000000-) Cuff, Hose	1
▲	6	83289	(000000-) Hose, Flex	1
▲	7	9005835	(000000-) Nozzle, Wand, Vacuum, Afmkt [3640]	1
▲	8	83287	(000000-) Coupling, Vac Wand	1
▲	9	379204	(000000-) Tube, Vac Wand	1
▲	10	80299	(000000-) Coupling, Vac- Wand	1

Fig. 8 - Vacuum Wand Extend Kit

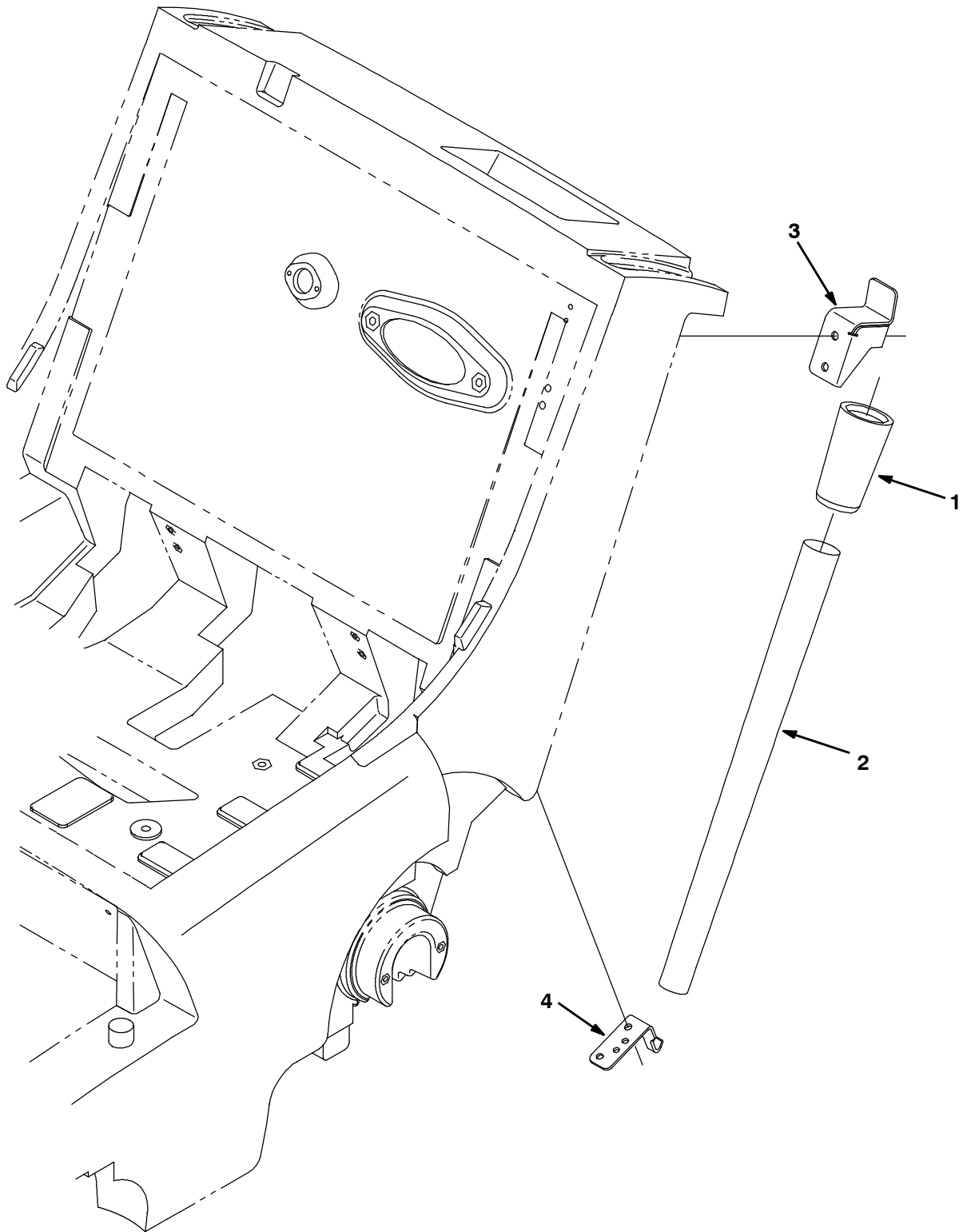


Fig. 8 - Vacuum Wand Extend Kit

	Ref.	Part No.	Serial Number	Description	Qty.
▽		373106	(000000-) Kit, Vacuum Wand, Extend	1
▲	1	80299	(000000-) Coupling, Vac- Wand	1
▲	2	190039	(000000-) Tube, Extn, Blk [W- 500]	1
▲	3	80106	(000000-) Bracket, Handle, Stop	1
▲	4	80113	(000000-) Plate, Cable, Mount	1

Fig. 9 - Hepa Filter Kit

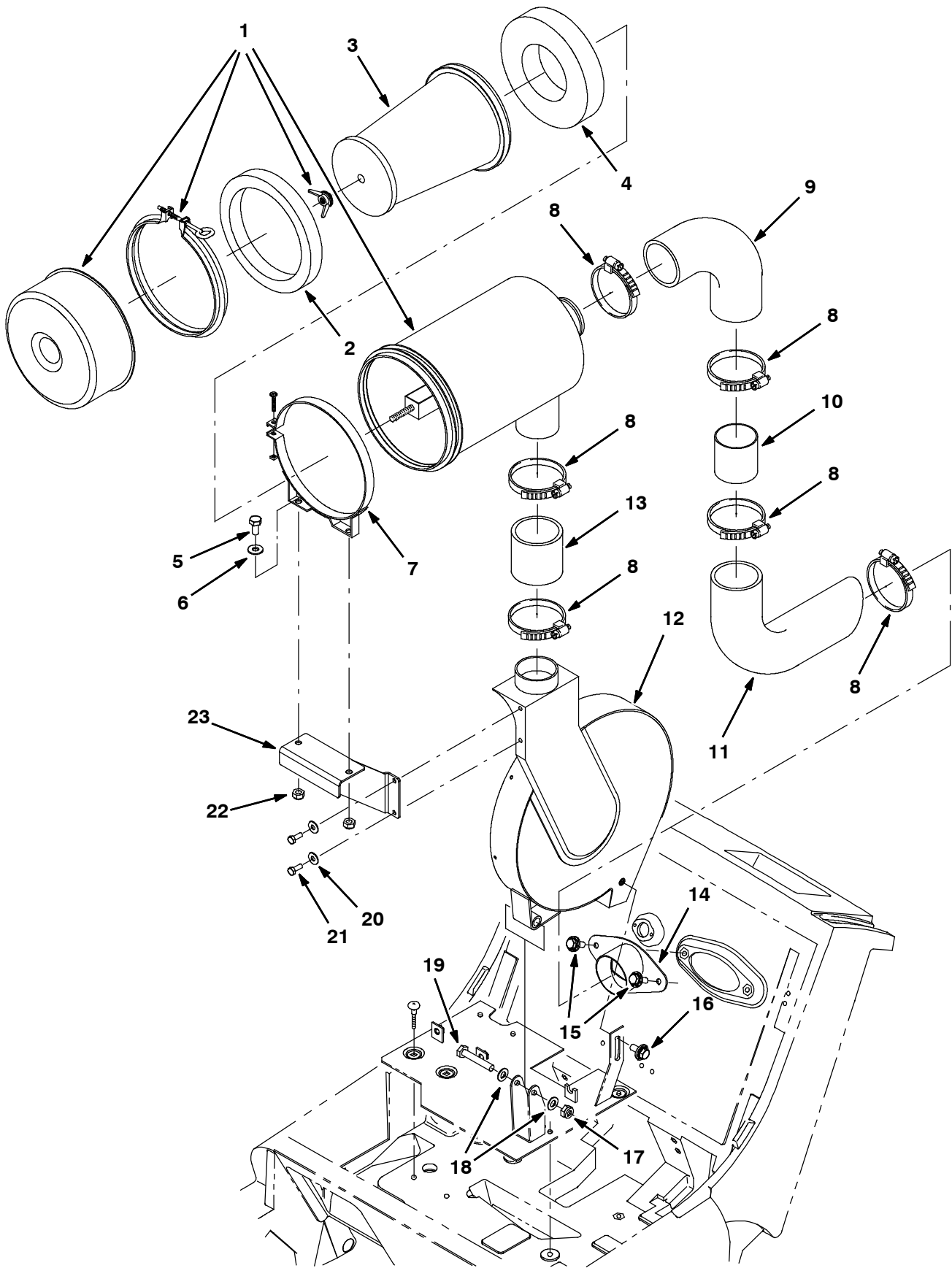


Fig. 9 - Hepa Filter Kit

Ref.	Part No.	Serial Number	Description	Qty.
1	75609	(000000-) Filter Assy, Air, 3.0 Inlet	1
2	310156	(000000-) Spacer, Fltr, Front	1
3	310159	(000000-) Filter, Hepa	1
4	310155	(000000-) Spacer, Fltr, Rear	1
5	15675	(000000-) Screw, Hex, M8 X 1.25 X 16, Ss	1
6	32490	(000000-) Washer, Flat, 0.25, Std	2
7	75606	(000000-) Band, Mtg, Fltr, Air, 8.00id	2
8	43555	(000000-) Clamp, Hose, Wormdrive, 2.62- 3.50d	6
9	310153	(000000-) Cs, Hose, Elbow, Air- Clnr / Cplg	1
10	310151	(000000-) Tube, Cplg, Hose	1
11	310154	(000000-) Cs, Hose, Elbow, Cplg / Adapter	1
12	310150	(000000-) Cs, Housing Wldt, Vacfan	1
13	310152	(000000-) Cs, Hose, Vacfan / Air- Clnr	1
14	310149	(000000-) Adapter Wldt, Hose, Frame	1
15	1072628	(000000-) Screw, Hex, M8 X 1.25 X 25, Ss, Sems	2
16	1020341	(000000-) Screw, Hex, M8 X 1.25 X 20, Ss, Sems	1
17	41430	(000000-) Nut, Hex, Lock, M10 X 1.5, NI	1
18	32485	(000000-) Washer, Flat, 0.38, Sae	2
19	06963	(000000-) Screw, Hex, M10 X 1.50 X 60, 8.8	1
20	01684	(000000-) Washer, Flat, 0.27b 0.69d .05, Ss	2
21	15678	(000000-) Screw, Hex, M6 X 1.00 X 16, Ss	1
22	08709	(000000-) Nut, Hex, Lock, M8 X 1.25, NI	2
23	310148	(000000-) Bracket Wldt, Fltr, Air, Elec [6080]	1

Fig. 10 - Wide Track Wheels Kit

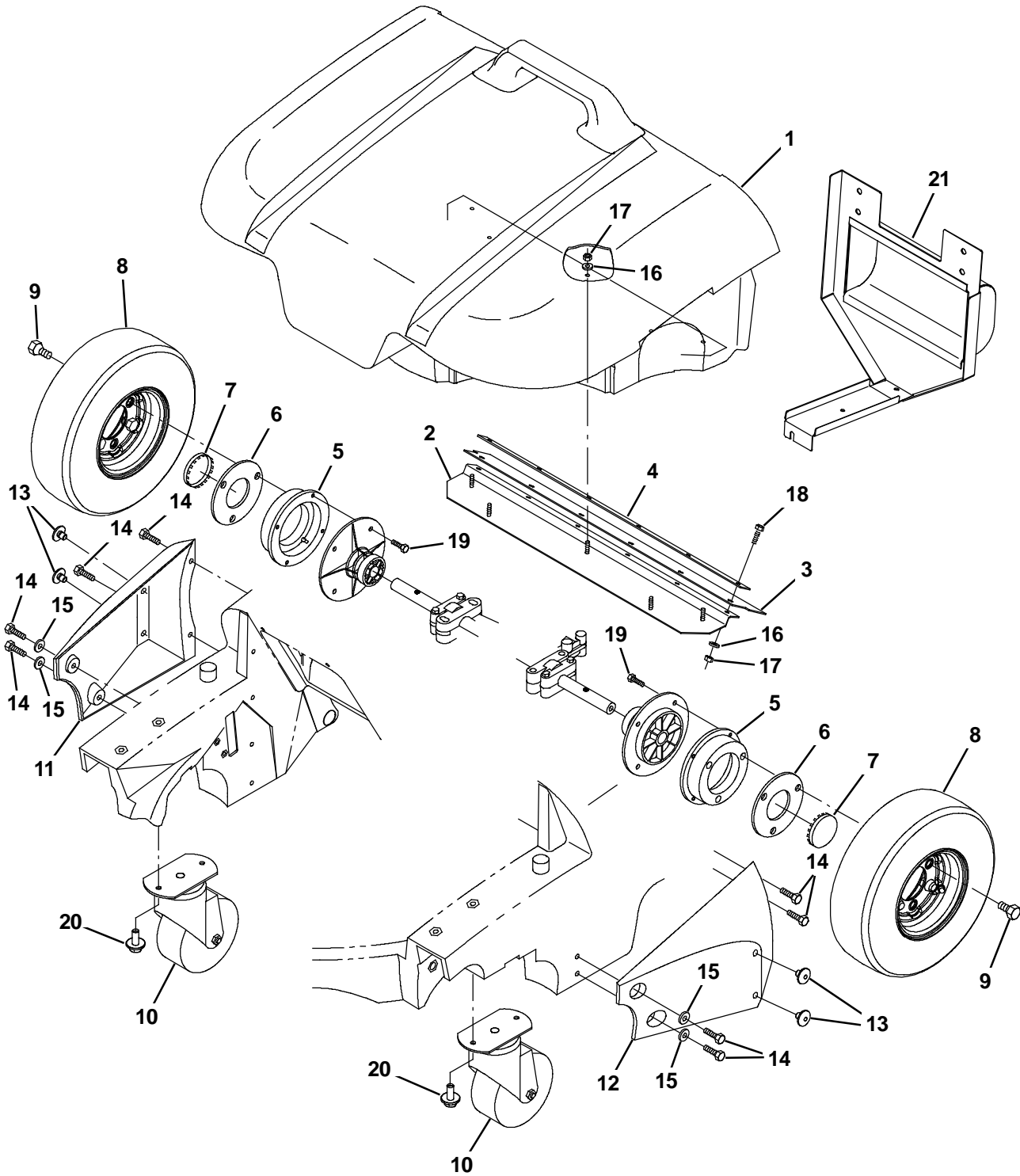
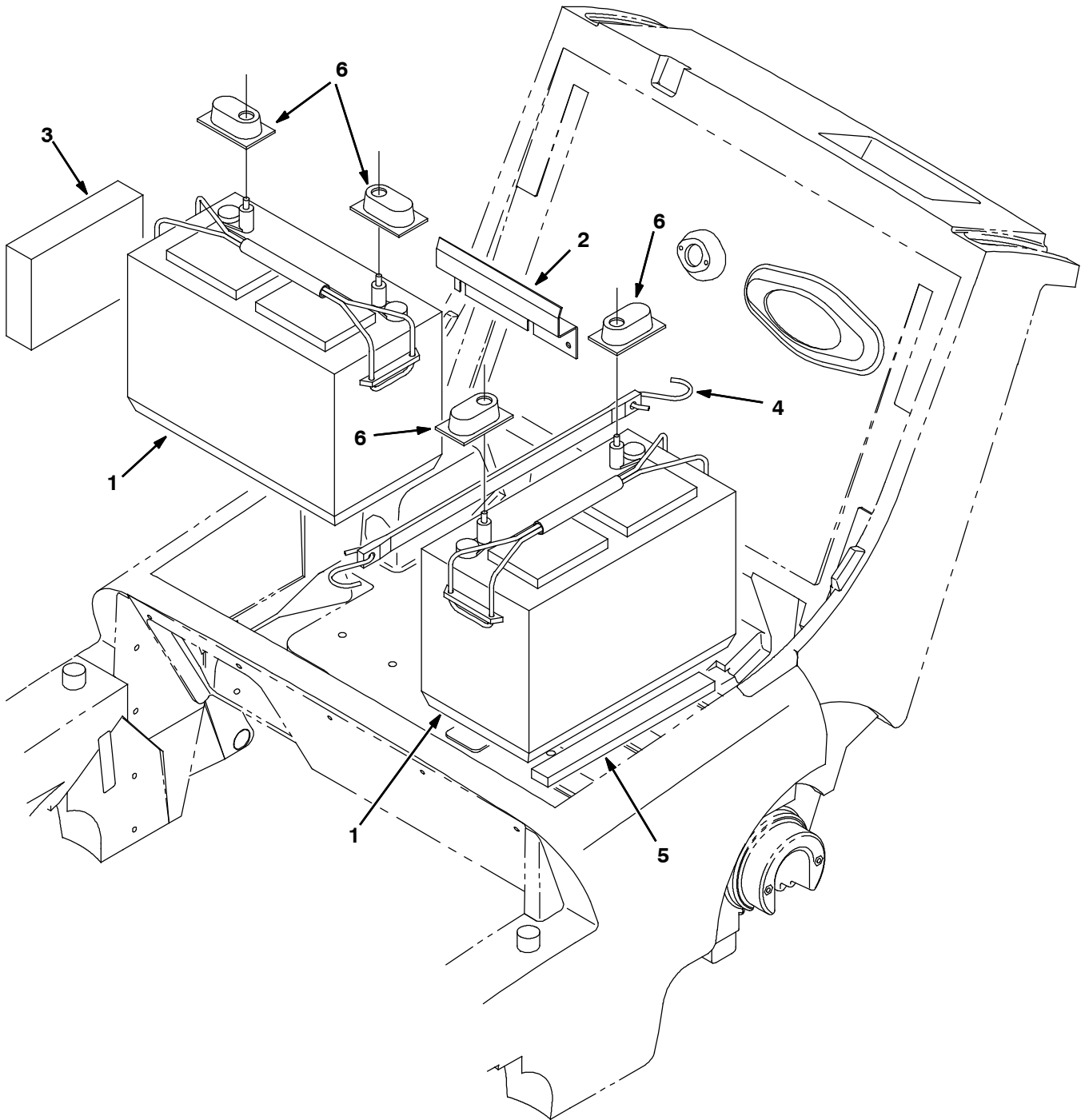


Fig. 10 - Wide Track Wheels Kit

	Ref.	Part No.	Serial Number	Description	Qty.
▽		80252	(000000-) Kit, Wheels, Wide Track 6080	1
▲	1	9005834	(000000-) Hopper, Wide Track, Afmkt [3640]	1
▲	2	80220	(000000-) Plate, Wear	1
▲	3	373142	(000000-) Skirt, Hopper	1
▲	4	80230	(000000-) Retainer, Lip	1
▲	5	80211	(000000-) Adaptor, Wheel	2
▲	6	80306	(000000-) Plate, Hub- Cap	2
▲	7	47178- 6	(000000-) Plug, Btn 2.00H .04- .19 Chromstl	2
▲	8	1052673	(000000-) Tire Assy, Pneu, 4.10/3.5- 06 3.5bc/3bolt	2
▲	9	80276	(000000-) Bolt, Lug,	6
▲	10	1049023	(000000-) Caster, Swivel, 5.0d 2.0w, 2hole, Neo	2
▲	11	80216	(000000-) Guard, Wheel , Right	1
▲	12	378803	(000000-) Guard, Wheel, Left	1
▲	13	80300	(000000-) Button, Plug	4
▲	14	39394	(000000-) Screw, Hex, .31- 09 X 1.25, Wood	8
▲	15	32491	(000000-) Washer, Flat, 0.31 Std	4
▲	16	01684	(000000-) Washer, Flat, 0.25 Ss	11
▲	17	08712	(000000-) Nut, Hex, Lock, M6 X 1.0, Ss, NI	11
▲	18	08716	(000000-) Screw, Hex, M6 X 1.0 X 20, Ss	6
▲	19	87308	(000000-) Screw, Hex, M6 X 1.0 X 12, 8.8	8
▲	20	1020341	(000000-) Screw, Hex, M8 X 1.25 X 20, Ss, Sems	4
▲	21	379229	(000000-) Plate Wldt, Back, Stop, Hd	1

OPTIONS

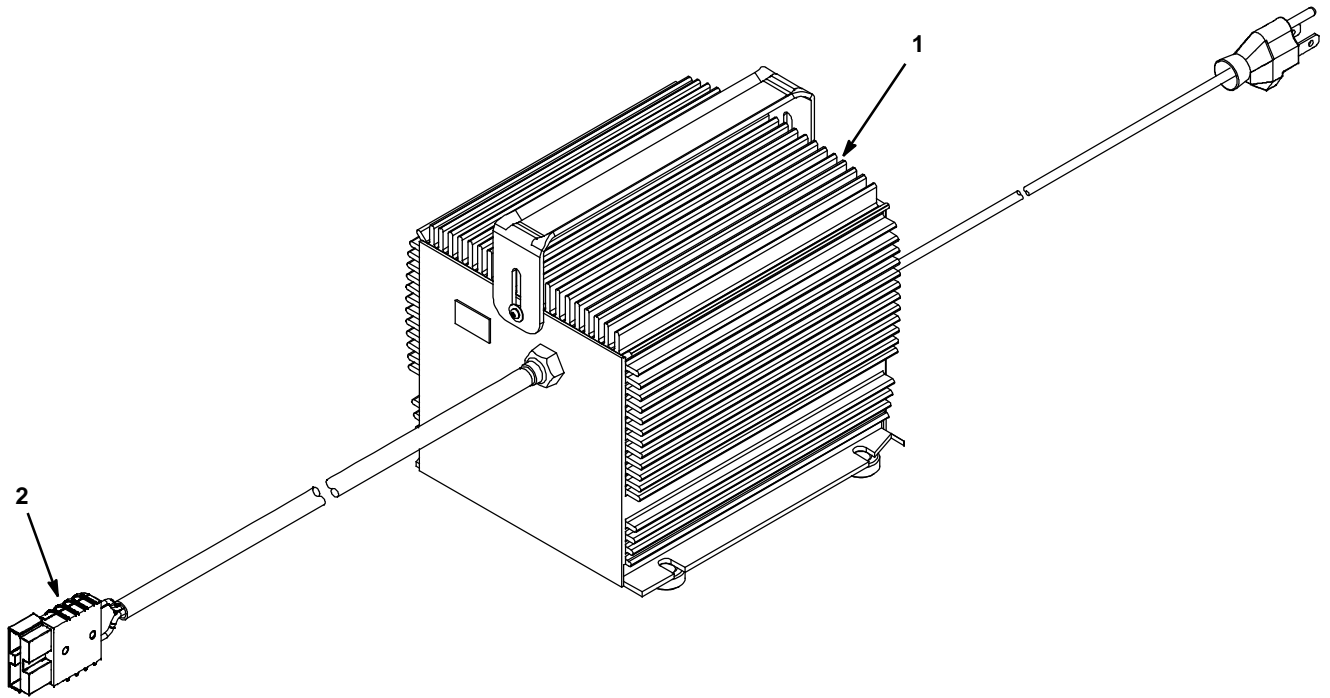
Fig. 11 - Battery Group, 12VDC, CCA, 105AH, 130869



350902 - E

Ref.	Part No.	Serial Number	Description	Qty.
1	130869	(000000-) Battery, 12vdc, Cca, 130ah(30xhs- Wnt)	2
2	379205	(000000-) Bracket, Sppt, Battery	1
3	80134	(000000-) Spacer, Battery, Foam	1
4	33671	(000000-) Strap, Rbr, Tie- Down, 2/Hooks 19.0l	1
5	13294	(000000-) Seal, Rbr, Open, 0.50th, 1.00w 10.5l (NLA - No Longer Available W/O Replacement)	1
6	1041030	(000000-) Cap, Battery (Short Black - Optional)	4
6	45962	(000000-) Cap, Plstc, .04 1.38 X 2.30 0.5L (Tall Clear - Optional)	4

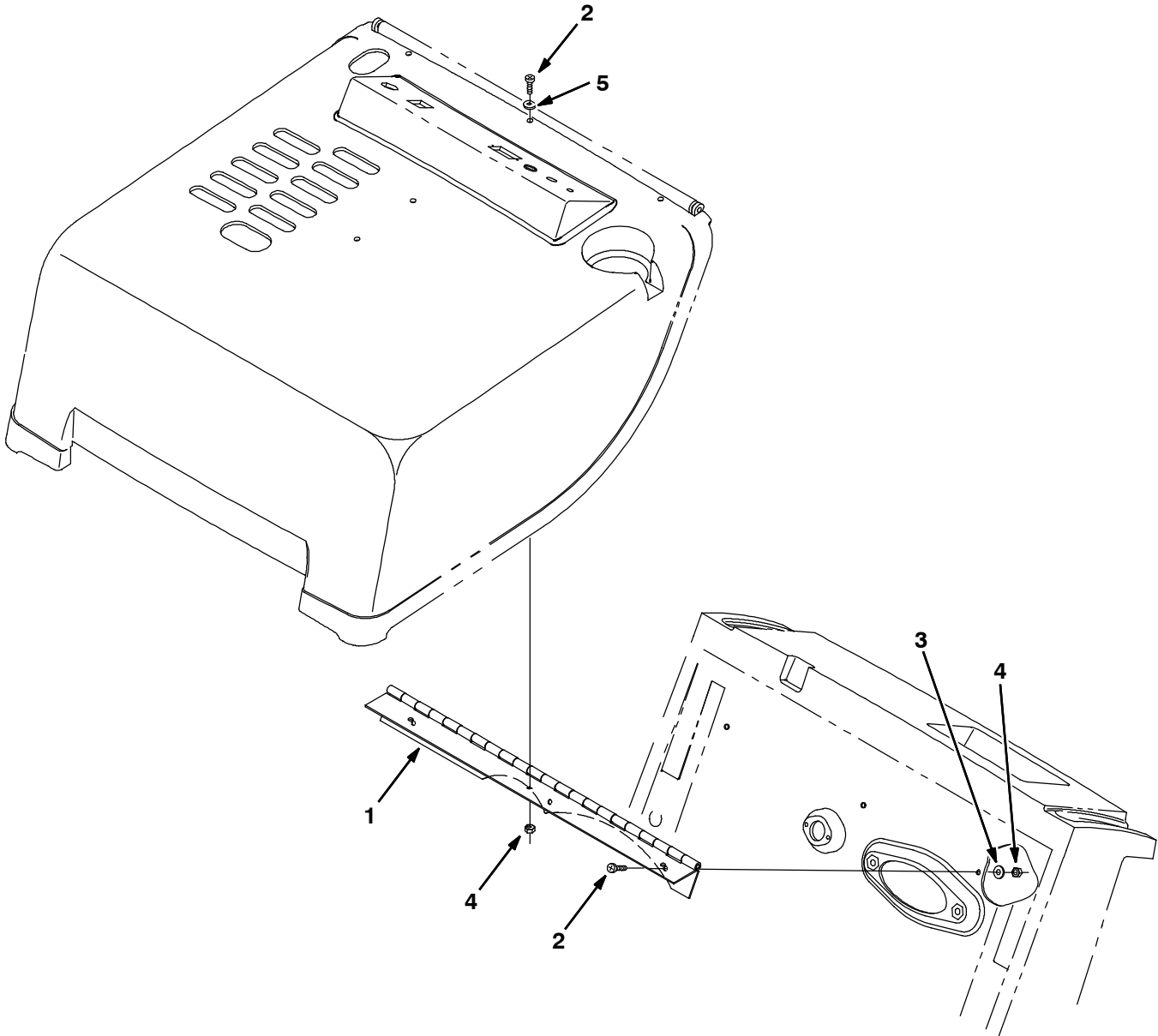
Fig. 12 - Battery Charger Group, 24VDC/19A 50/60HZ, 1067630



08080 - E

	Ref.	Part No.	Serial Number	Description	Qty.
▽	1	1067630	(000000-) Charger, 24vdc, 19a Var Vac 50/60hz (Jp)	1
▲	2	605387	(000000-) Connector, Anderson, 050a, Red [W/O Con]	1

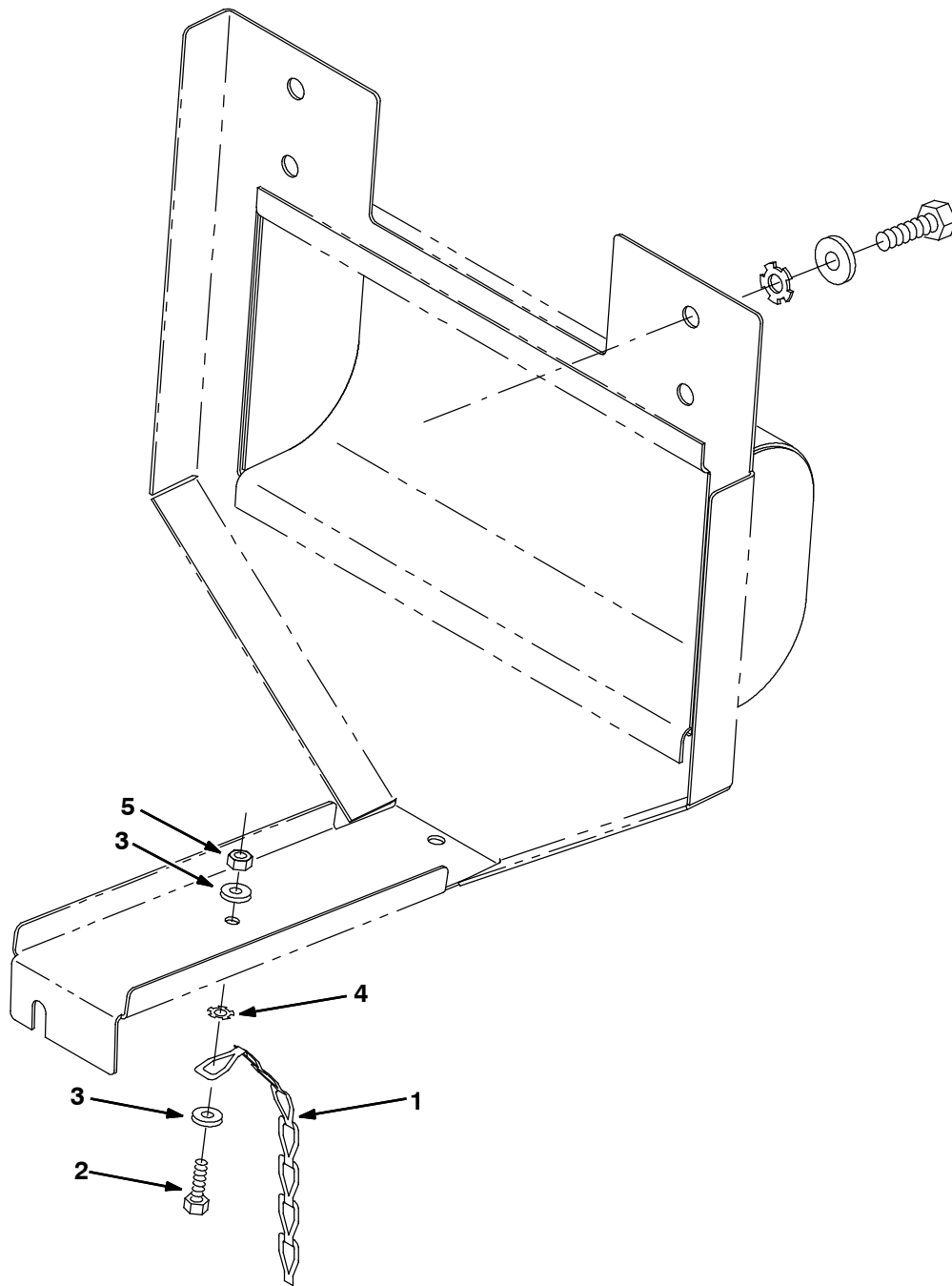
Fig. 13 - Hinge Repair Kit



352794 - ALL

Ref.	Part No.	Serial Number	Description	Qty.
▽	379220	(000000-) Kit, Hinge Repair	1
▲	1 379221	(000000-) Hinge, Cover	1
▲	2 363503	(000000-) Screw, Pan, M06- 1.0 X 12, Ss	6
▲	3 32483	(000000-) Washer, Flat, .25 Sae	3
▲	4 08708	(000000-) Nut, Hex, Lock, M06	6
▲	5 379219	(000000-) Washer, Flat, Rework	3

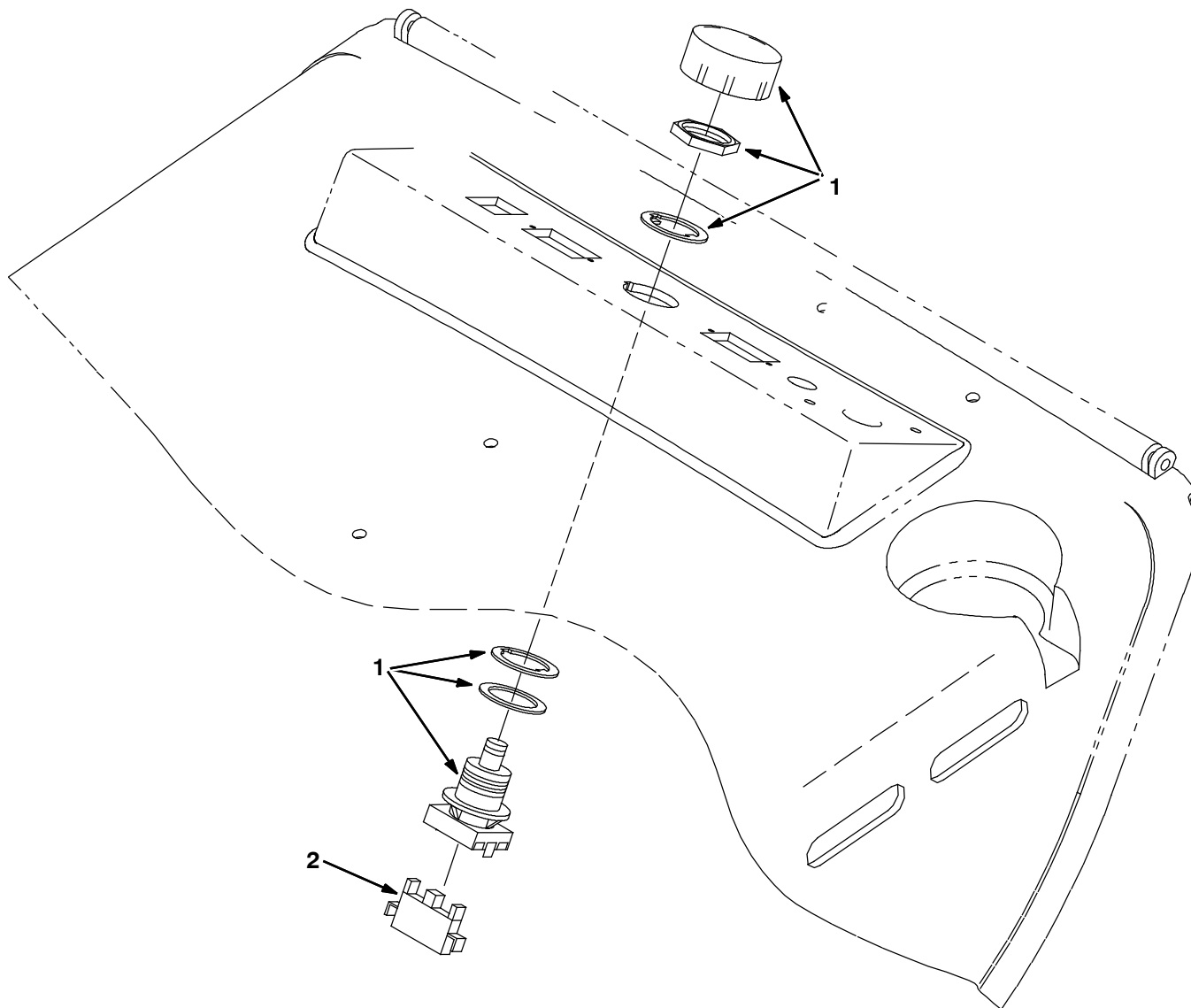
Fig. 14 - Steel Static Chain Kit



350936 - ALL

Ref.	Part No.	Serial Number	Description	Qty.	
▽	379007	(000000-) Kit, Chain, Static, Steel	1	
▲	1	46307	(000000-) Chain, Link	1
▲	2	06943	(000000-) Screw, Hex, M06- 1.0 X 20, 8.8	1
▲	3	32490	(000000-) Washer, Flat, .25 Hard	2
▲	4	41141	(000000-) Washer, Lock, Int- Ext, .31	1
▲	5	08708	(000000-) Nut, Hex, Lock, M06	1

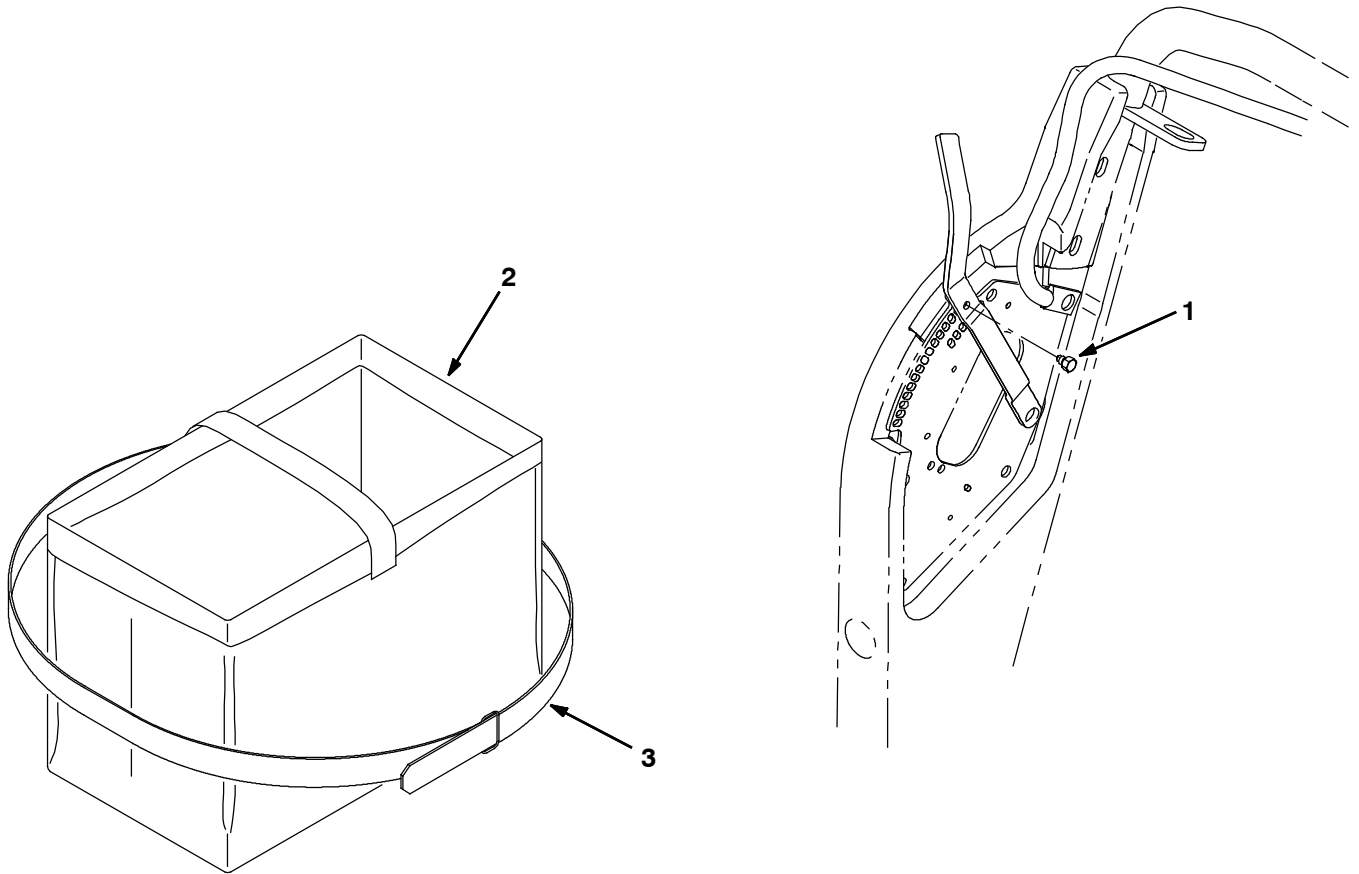
Fig. 15 - Battery Cutout Button Kit



350918 - E

Ref.	Part No.	Serial Number	Description	Qty.
▽	222664	(000000-) Battery Cutout Button Kit	1
▲	1 78553	(000000-) Switch, Pushbutton	1
▲	2 65665	(000000-) Contact, Switch	1

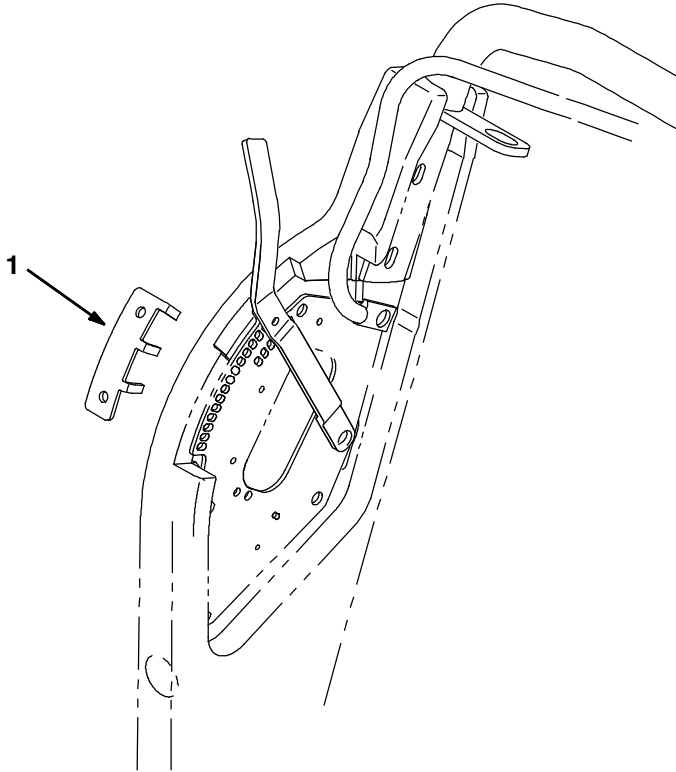
Fig. 16 - Carpet Sweeping Group, 105Amp hr



350923 - E

Ref.	Part No.	Serial Number	Description	Qty.
1	80972	(000000-) Screw, 250- 20 Spl	1
2	80120	(000000-) Bag, Battery	2
3	378764	(000000-) Strap	2

Fig. 17 - Main Brush Downpressure Kit



351287 - ALL

Ref.	Part No.	Serial Number	Description	Qty.
▽	378768	(000000-) Main Brush Downpressure Kit	1
▲	1 378765	(000000-) Limiter, Travel, Brush	1

Fig. 18 - Documentation Group

Ref.	Part No.	Serial Number	Description	Qty.
1	330564	(000000-) Manual Pkg 3640E JP	1



To view, print, order, download the latest Parts manual, other language Operator manuals, and Use and Care Guides (wall charts), visit:

www.tennantco.com/manual

SECTION 4

Contents	Page
Fig. 1 - Transaxle Breakdown, 80476	4-2

Fig. 1 - Transaxle Breakdown, 80476

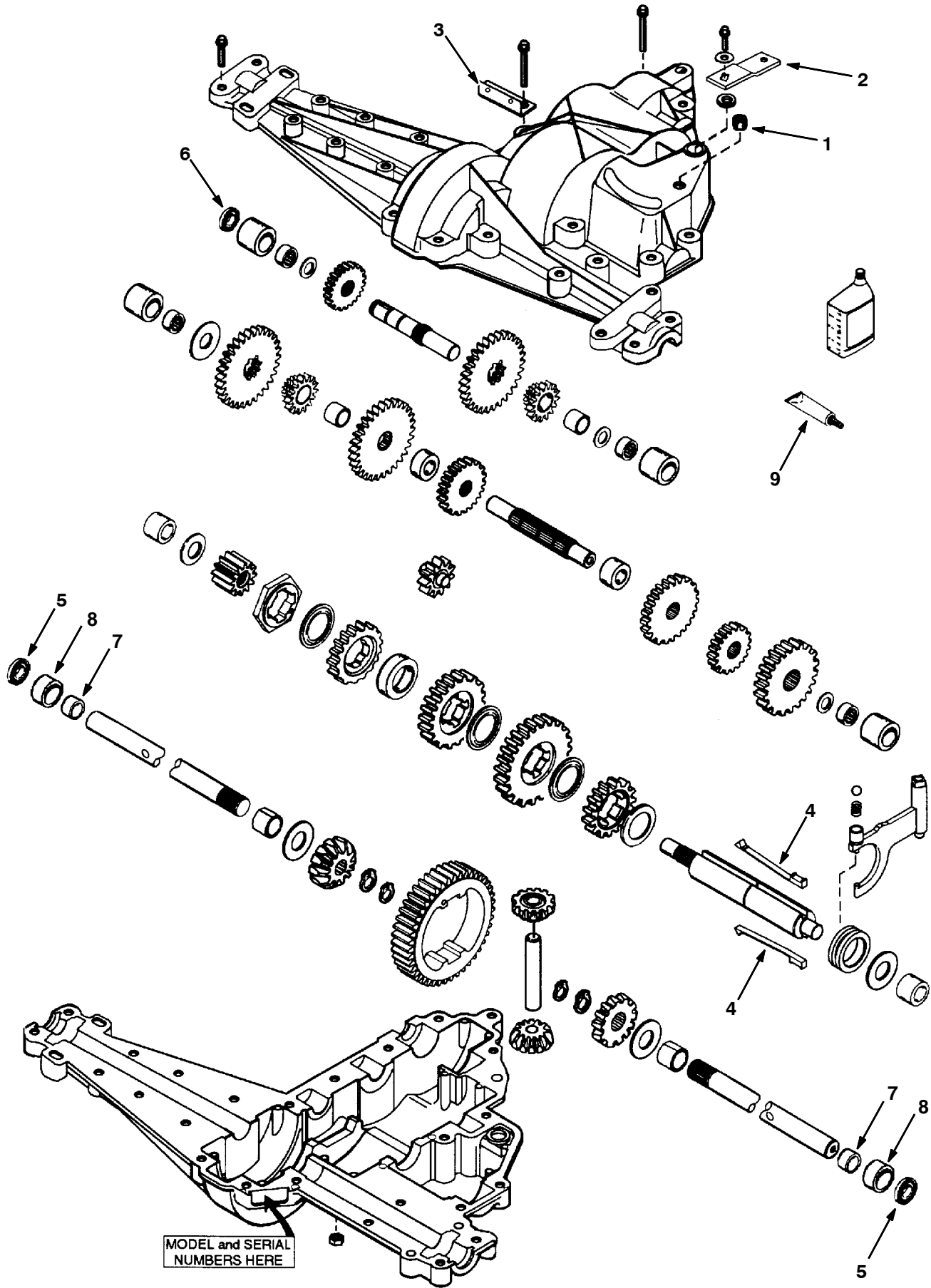


Fig. 1 - Transaxle Breakdown, 80476

	Ref.	Part No.	Serial Number	Description	Qty.
▽		80476	(000000-) Kit, Transaxle Assy	1
▲	1	80471	(000000-) Fitting, Relief 1/8	1
▲	2	80417	(000000-) Lever, Shift	1
▲	3	80499	(000000-) Bracket, Return Spring	1
▲▽		80472	(000000-) Kit, Transaxle Repair	1
▲▲	4	80473	(000000-) Key, Shifter Te	2
▲▲	5	80474	(000000-) Seal, Axle Te	2
▲▲	6	80475	(000000-) Seal, Shaft, Input Te	1
▲▲	7	80352	(000000-) Bearing, Axle	2
▲▲	8	80353	(000000-) Sleeve, Bearing	2
▲▲	9	08317	(000000-) Sealant, Silastic Rtv732- 3 Oz.	1

