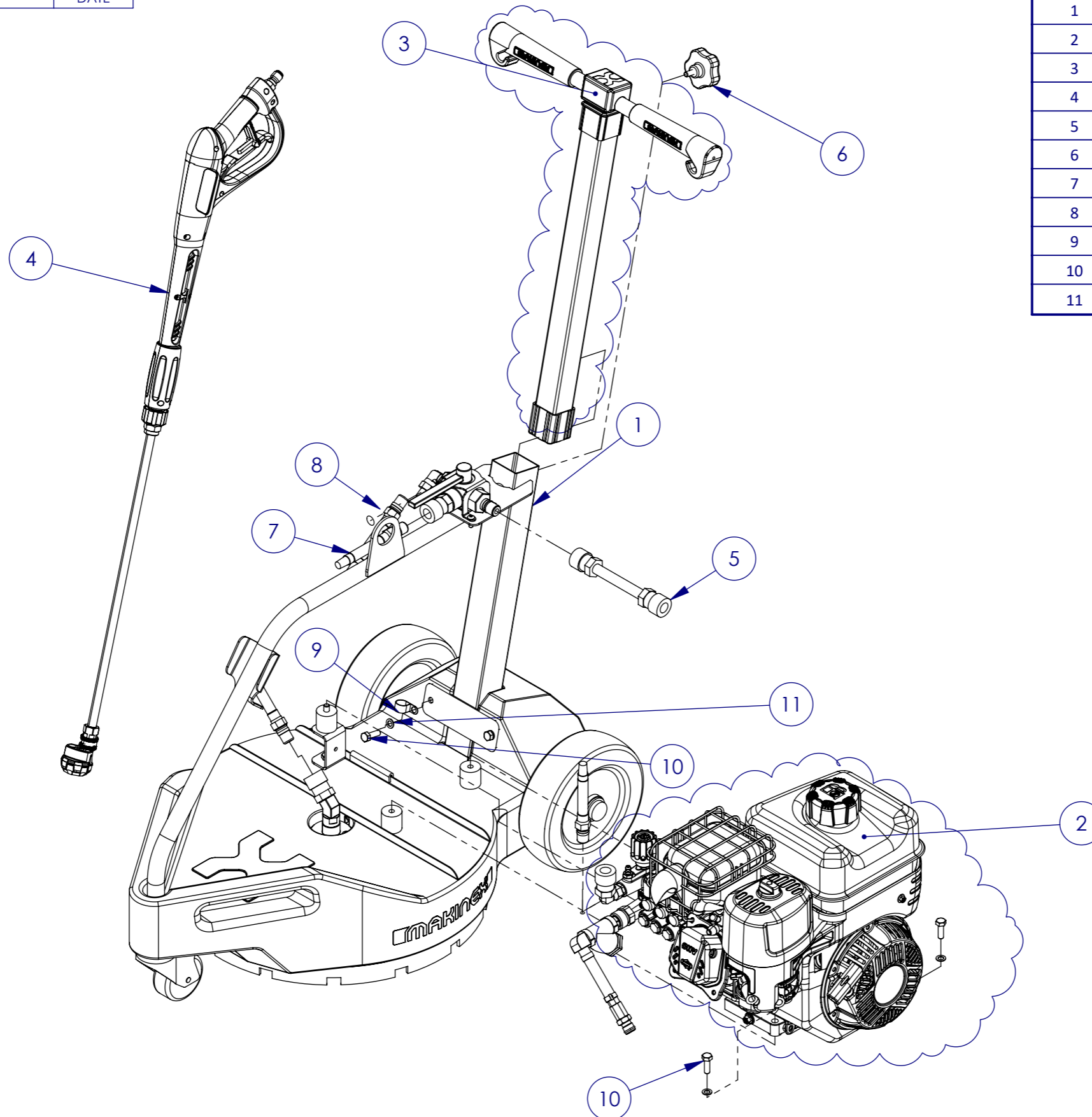


REVISIONS		
REV.	DESCRIPTION	DATE

PRINT MAY BE REDUCED - DO NOT SCALE.



ITEM NO.	PART NO.	PART NAME	QTY
1	DPC-2200-01-00	FRAME ASSEMBLY	1
2	DPC-2200-02-00	ENGINE PUMP ASSEMBLY	1
3	DPC-2200-03-00	HANDLE ASSEMBLY	1
4	DPC-2200-05-00	WAND ASSEMBLY	1
5	DPC-2200-07-00	10 M HOSE	1
6	DPC-2200-11-00	M8X16 MM THUMB SCREW	1
7	DPC-2200-14-00	PUMP TO VALVE HOSE (460 MM)	1
8	DPC-2200-15-00	VALVE TO WHIRLY HOSE (530 MM)	1
9	MAK-UP-222	P-CLIP 16 MM	1
10	MAK-UP-534	M8X25 HEX BOLT ZP	3
11	MAK-UP-746	M8 FLAT WASHER (SMALL) SS	3



Sydney (Head Office) Ph: 1300 795 953
 15 Waltham St Fax: (02) 9439 9815
 Artarmon, 2064 www.makinex.com.au
 NSW, Australia sales@makinex.com.au

COPYRIGHT 2019 MAKINEX.
 WARNING: Copyright in this drawing remains the property of Kennards Innovation and Sustainability and copying in whole or part is not permitted without the written authority of the copyright owner.

GENERAL TOLERANCES
 (Unless otherwise noted)
 0-100mm: ± 0.25 mm
 100mm - 500mm: ± 0.5 mm
 500mm +: ± 1.0 mm
 Angular: ± 1 deg.

Third Angle
 Projection
 - AS 1100

DATE: 29-Jun-21

PROJECT: DPC-2200

SCALE: 1:20 A3

DWG NO.

TITLE

MATERIAL

REV: 002

FINISH

DPC2200-00-00

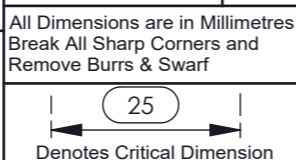
COMPLETE ASSEMBLY

SEE PARTS

DRN: DM

SEE PARTS

NOTES:

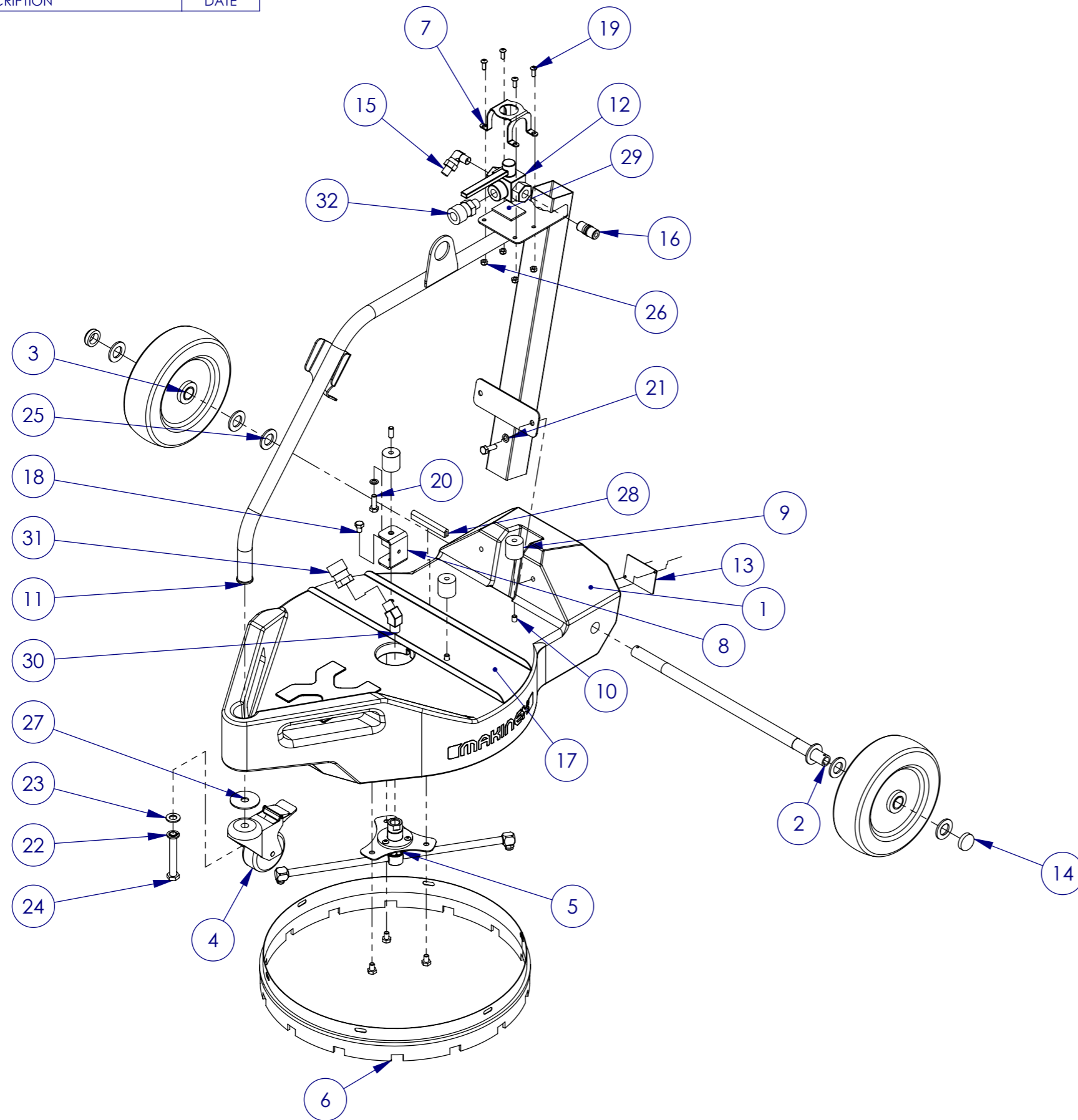


SHEET 1 OF 6

PRINTED: 29-Jun-21

REVISIONS		
REV.	DESCRIPTION	DATE

PRINT MAY BE REDUCED - DO NOT SCALE.



ITEM NO.	PART NO.	PART NAME	QTY
1	DPC-2200-01-08	ROTO MOULD BASE	1
2	DPC-2200-01-07	AXLE	1
3	MAK-UP-192	RED HUB 220 MM WHEEL	2
4	MAK-UP-58	DPW CASTOR 75 x 25 mm	1
5	DPC-2200-01-A1	WHIRLY ASSEMBLY	1
6	DPC-2200-01-13	18 INCH WHIRLY BRUSH	1
7	DPC-2200-01-09	VALVE BRACKET	1
8	DPC-2200-01-14	PUMP MOUNT BRACKET	1
9	MAK-UP-72	ENGINE MOUNT 30 X 30 MM DURO 40	3
10	MAK-UP-722	M8X20 MM THREADED ROD	3
11	DPC-2200-01-W1	FRAME WELDMENT	1
12	DPC-2200-01-16	3 WAY VALVE	1
13	DPC-2200-01-17	ASSET PLATE	1
14	MAK-UP-04	AXLE CAP	2
15	MAK-UP-246	ELBOW 90 3_8 BSPT MALE TO 3_8 BSPT MALE	1
16	MAK-UP-227	3_8 MALE TO QUICK CONNECT	1
17	DPC-2200-01-19	SAG PLATE	1
18	MAK-UP-748	M8X12 HEX BOLT SS	4
19	MAK-UP-732	M6X16 BUTTON HEAD SOCKET SCREW SS	4
20	MAK-UP-534	M8X25 HEX BOLT ZP	2
21	MAK-UP-746	M8 FLAT WASHER (SMALL) SS	2
22	MAK-UP-749	M12 SPRING WASHER SS	1
23	MAK-UP-750	M12 WASHER (MEDIUM) SS	1
24	MAK-UP-751	M12X85 HEX HEAD BOLT SS	1
25	MAK-UP-06	M20X3MM NYLON WASHERS	6
26	MAK-UP-731	M6 NYLOC NUT SS	4
27	MAK-UP-758	M12 WASHER (LARGE) SS	1
28	DPC-2200-01-20	80 MM PINCH WELD	1
29	DPC-2200-01-21	RUBBER VALVE PAD	1
30	MAK-UP-242	45 DEGREE M 3_8 TO M 3_8	1
31	MAK-UP-66	3_8 F TO F QUICK CONNECT	1
32	MAK-UP-243	MALE 3_8 IN TO FEMALE QUICK CONNECT	1



Sydney (Head Office) Ph: 1300 795 953
 15 Waltham St Fax: (02) 9439 9815
 Artarmon, 2064 www.makinex.com.au
 NSW, Australia sales@makinex.com.au

COPYRIGHT 2019 MAKINEX.
 WARNING: Copyright in this drawing remains the property of Kennards Innovation and Sustainability and copying in whole or part is not permitted without the written authority of the copyright owner.

GENERAL TOLERANCES
 (Unless otherwise noted)
 0-100mm: ± 0.25 mm
 100mm - 500mm: ± 0.5 mm
 500mm +: ± 1.0 mm
 Angular: ± 1 deg.



DATE: 29-Jun-21

PROJECT: DPC-2200

SCALE: 1:10 A3

DWG NO. DPC-2200-01-00

TITLE FRAME ASSEMBLY

MATERIAL SEE PARTS

REV: 010

FINISH SEE PARTS

All Dimensions are in Millimetres
 Break All Sharp Corners and Remove Burrs & Swarf



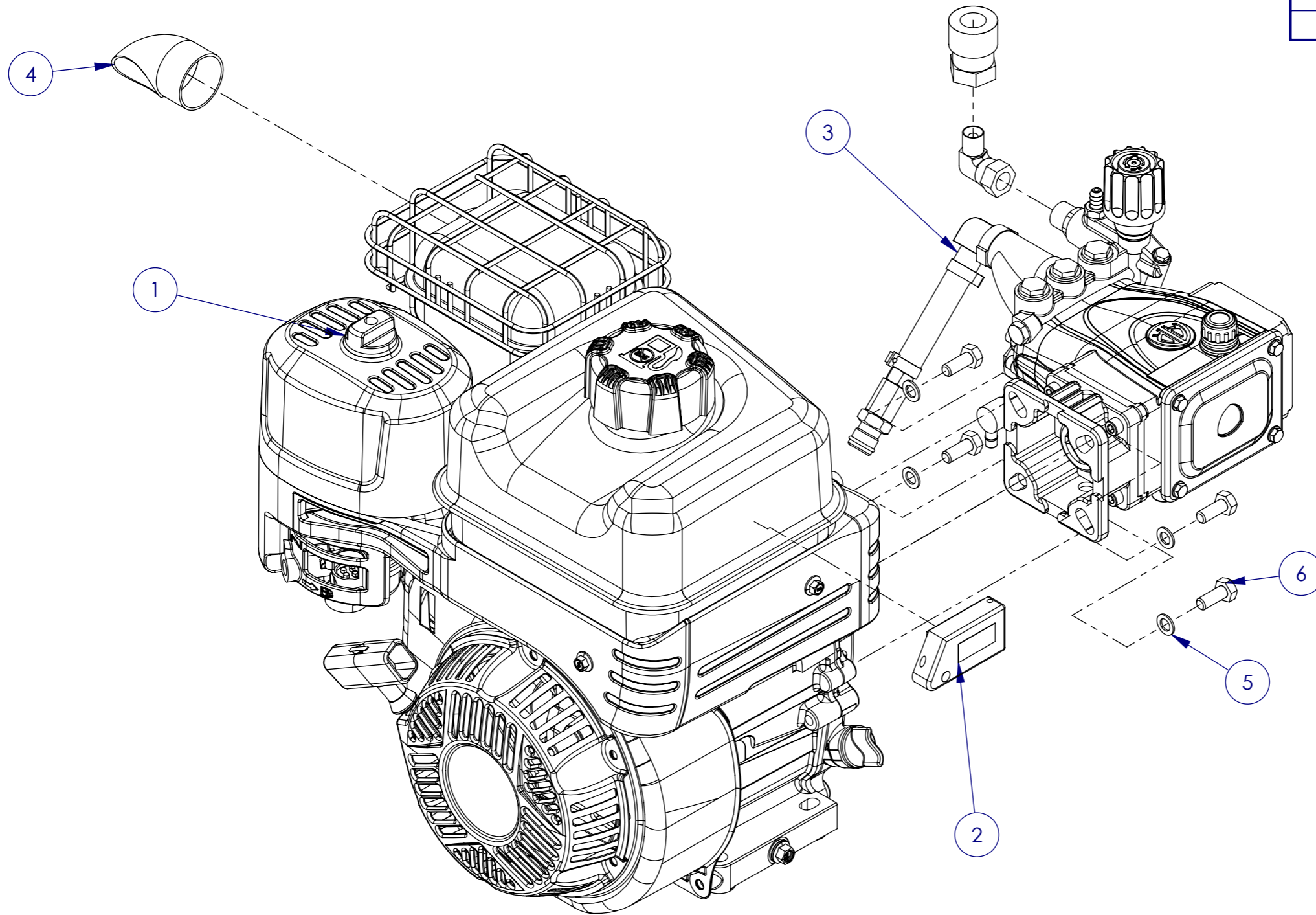
NOTES: SHEET 2 OF 6

PRINTED: 29-Jun-21

REVISIONS		
REV.	DESCRIPTION	DATE

PRINT MAY BE REDUCED - DO NOT SCALE.

ITEM NO.	PART NO.	PART NAME	QTY
1	130G320101F1CC7001	BRIGGS XR950	1
2	MAK-UP-11-03	VIBRATION ACTIVATED HOUR METER	1
3	DPC-2200-02-A1	PUMP ASSEMBLY	1
4	DPC-2200-02-01	EXHAUST DEFLECTOR	1
5	MAK-UP-746	M8 FLAT WASHER (SMALL) SS	4
6	MAK-UP-760	5/16"X25/32" HEX BOLT SS	4



Sydney (Head Office) Ph: 1300 795 953
 15 Waltham St Fax: (02) 9439 9815
 Artarmon, 2064 www.makinex.com.au
 NSW, Australia sales@makinex.com.au

COPYRIGHT 2019 MAKINEX.
 WARNING: Copyright in this drawing remains the property of Kennards Innovation and Sustainability and copying in whole or part is not permitted without the written authority of the copyright owner.

GENERAL TOLERANCES
 (Unless otherwise noted)
 0-100mm: ± 0.25 mm
 100mm - 500mm: ± 0.5 mm
 500mm +: ± 1.0 mm
 Angular: ± 1 deg.

Third Angle
 Projection
 - AS 1100

DATE: 29-Jun-21

SCALE: 1:5 A3

All Dimensions are in Millimetres
 Break All Sharp Corners and
 Remove Burrs & Swarf

25
 Denotes Critical Dimension

PROJECT: DPC-2200

DWG NO.

DPC-2200-02-00

NOTES:

TITLE

ENGINE PUMP ASSEMBLY

MATERIAL

NA

REV: 006

DRN: DM

FINISH

NA

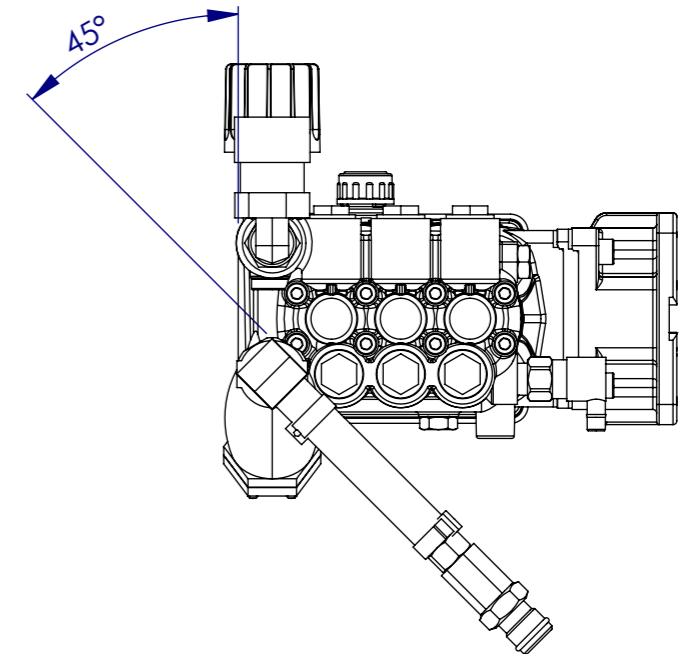
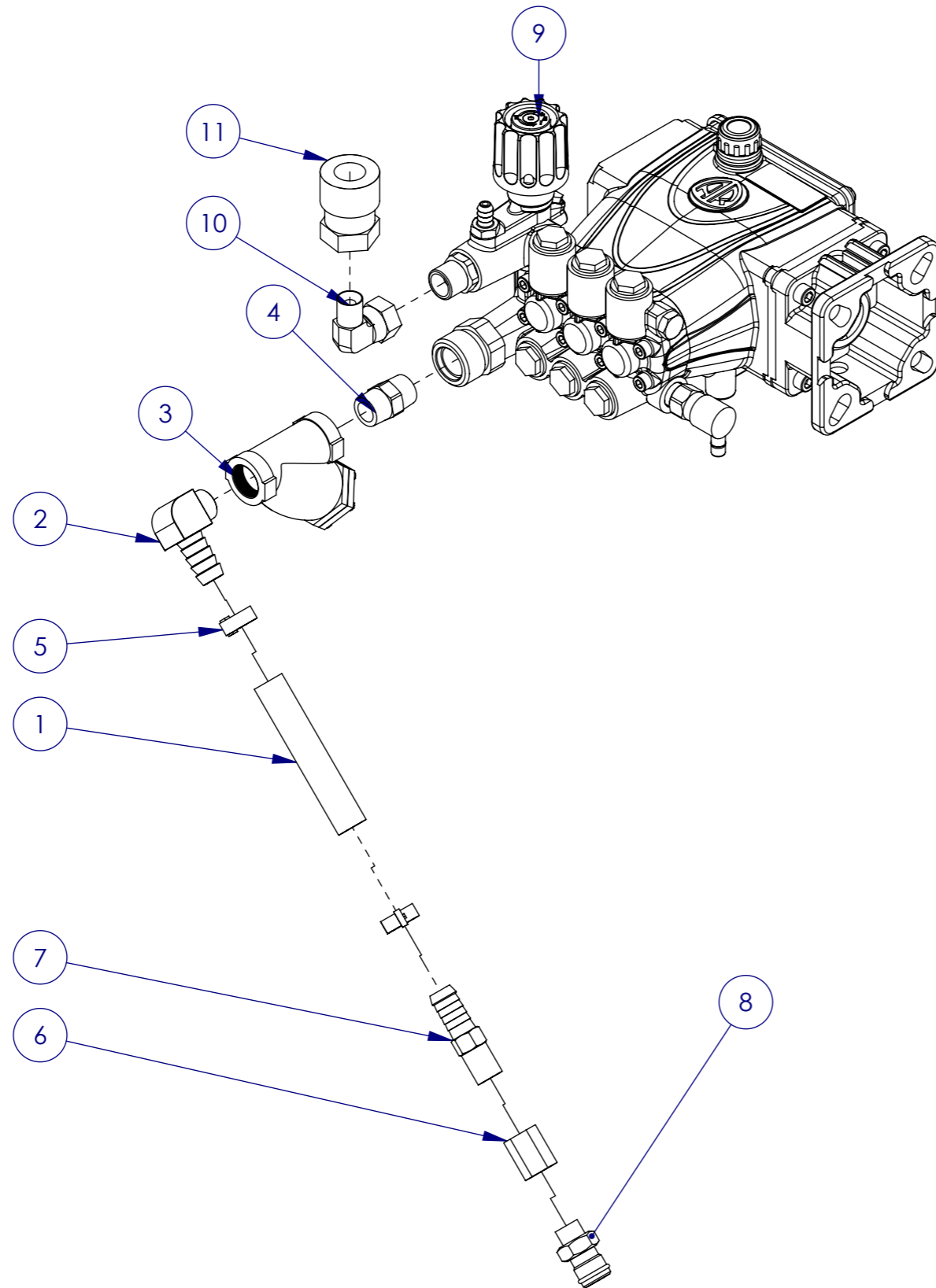
SHEET 3 OF 6

PRINTED: 29-Jun-21

REV.	DESCRIPTION	DATE
------	-------------	------

PRINT MAY BE REDUCED - DO NOT SCALE.

ITEM NO.	PART NO.	PART NAME	QTY
1	DPC-2200-02-A1-01	WATER INLET HOSE - 1/2 INCH X 500MM BLACK RUBBER	1
2	MAK-UP-197	3_8 BRASS MALE ELBOW HOSETAIL 90 DEG	1
3	MAK-UP-196	3_8 FEMALE BSP TO 3_8 FEMALE BSP Y STRAINER	1
4	DPW4-309-4	3_8 MALE TO 3_8 MALE BSPT	1
5	DPW4-309-9	13-19 MM HOSE CLAMP	2
6	DPW4-307-4	1/4" FEMALE ADAPTOR	1
7	DPW4-307-2	1/2" BARB, 1/4" M THREAD	1
8	DPW4-307-3	1/4" SPRINKLER ADAPTOR	1
9	AR26348	JRV3G30 AR PUMP	1
10	DPW4-309-3	ELBOW 90° 3_8 BSPT MALE TO SWIVEL 3_8 BSPT FEMALE	1
11	MAK-UP-66	3_8 F TO F QUICK CONNECT	1



Sydney (Head Office) Ph: 1300 795 953
 15 Waltham St Fax: (02) 9439 9815
 Artarmon, 2064 www.makinex.com.au
 NSW, Australia sales@makinex.com.au

COPYRIGHT 2019 MAKINEX.
 WARNING: Copyright in this drawing remains the property of Kennards Innovation and Sustainability and copying in whole or part is not permitted without the written authority of the copyright owner.

GENERAL TOLERANCES
 (Unless otherwise noted)

0-100mm: ± 0.25 mm
 100mm - 500mm: ± 0.5 mm
 500mm+: ± 1.0 mm
 Angular: ± 1 deg.

Third Angle Projection
 - AS 1100

DATE: 29-Jun-21
 SCALE: 1:3 A3
 All Dimensions are in Millimetres
 Break All Sharp Corners and
 Remove Burrs & Swarf

25
 Denotes Critical Dimension

PROJECT: DPC-2200		DWG NO.		TITLE		MATERIAL		REV: 001		FINISH	
DPC-2200-02-A1		DPC-2200-02-A1		PUMP ASSEMBLY				DRN: DM			
NOTES:											
										SHEET 4 OF 6	

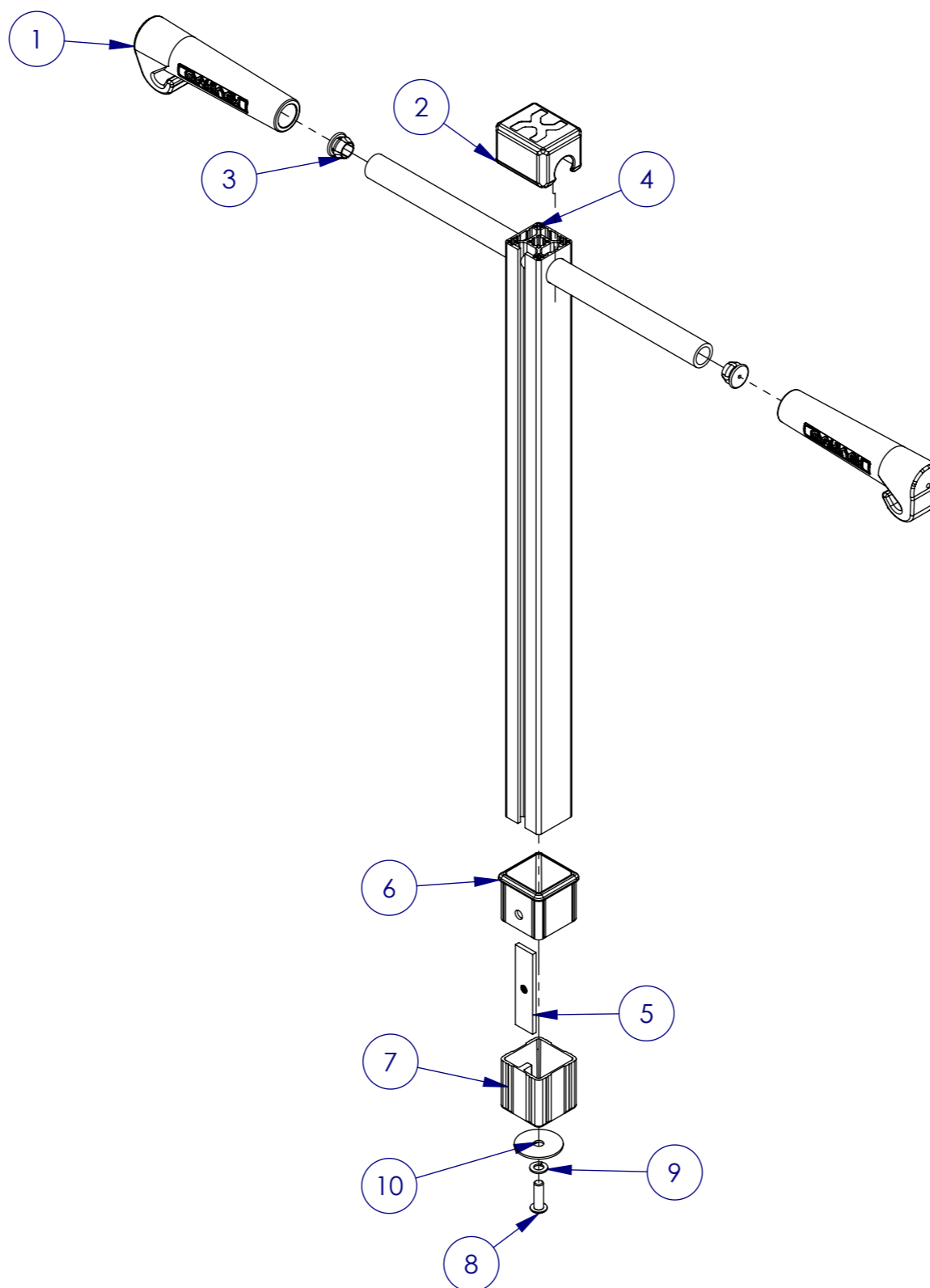
PRINTED: 29-Jun-21

REVISIONS

REV.	DESCRIPTION	DATE
------	-------------	------

PRINT MAY BE REDUCED - DO NOT SCALE.

ITEM NO.	PART NO.	PART NAME	QTY
1	MAK-UP-10	RUBBER HANDLE GRIPS WITH CABLE HOLDER	2
2	DPC-2200-03-04	TOP CAP	1
3	MAK-UP-175	HANDLE END PLUG	2
4	DPC-2200-03-W1	HANDLE WLEDMENT	1
5	DPC-2200-03-05	T NUT	1
6	DPC-2200-03-06	HANDLE SLEEVE INSERT	1
7	DPC-2200-03-03	BOTTOM CAP	1
8	MAK-UP-754	M8X25 BUTTON HEAD SOCKET SCREW SS	1
9	MAK-UP-747	M8 SPRING WASHER SS	1
10	MAK-UP-755	M8 FLAT WASHER (LARGE) SS	1



Sydney (Head Office) Ph: 1300 795 953
 15 Waltham St Fax: (02) 9439 9815
 Artarmon, 2064 www.makinex.com.au
 NSW, Australia sales@makinex.com.au

COPYRIGHT 2019 MAKINEX.
 WARNING: Copyright in this drawing remains the property of Kennards Innovation and Sustainability and copying in whole or part is not permitted without the written authority of the copyright owner.

GENERAL TOLERANCES
 (Unless otherwise noted)
 0-100mm: ± 0.25 mm
 100mm - 500mm: ± 0.5 mm
 500mm +: ± 1.0 mm
 Angular: ± 1 deg.



DATE: 29-Jun-21

PROJECT: DPC-2200

SCALE: 1:5 A3

DWG NO.

TITLE

MATERIAL

REV: 004

FINISH

DPC-2200-03-00

HANDLE ASSEMBLY

SEE PARTS

DRN: DM

SEE PARTS

NOTES:

All Dimensions are in Millimetres
 Break All Sharp Corners and
 Remove Burrs & Swarf

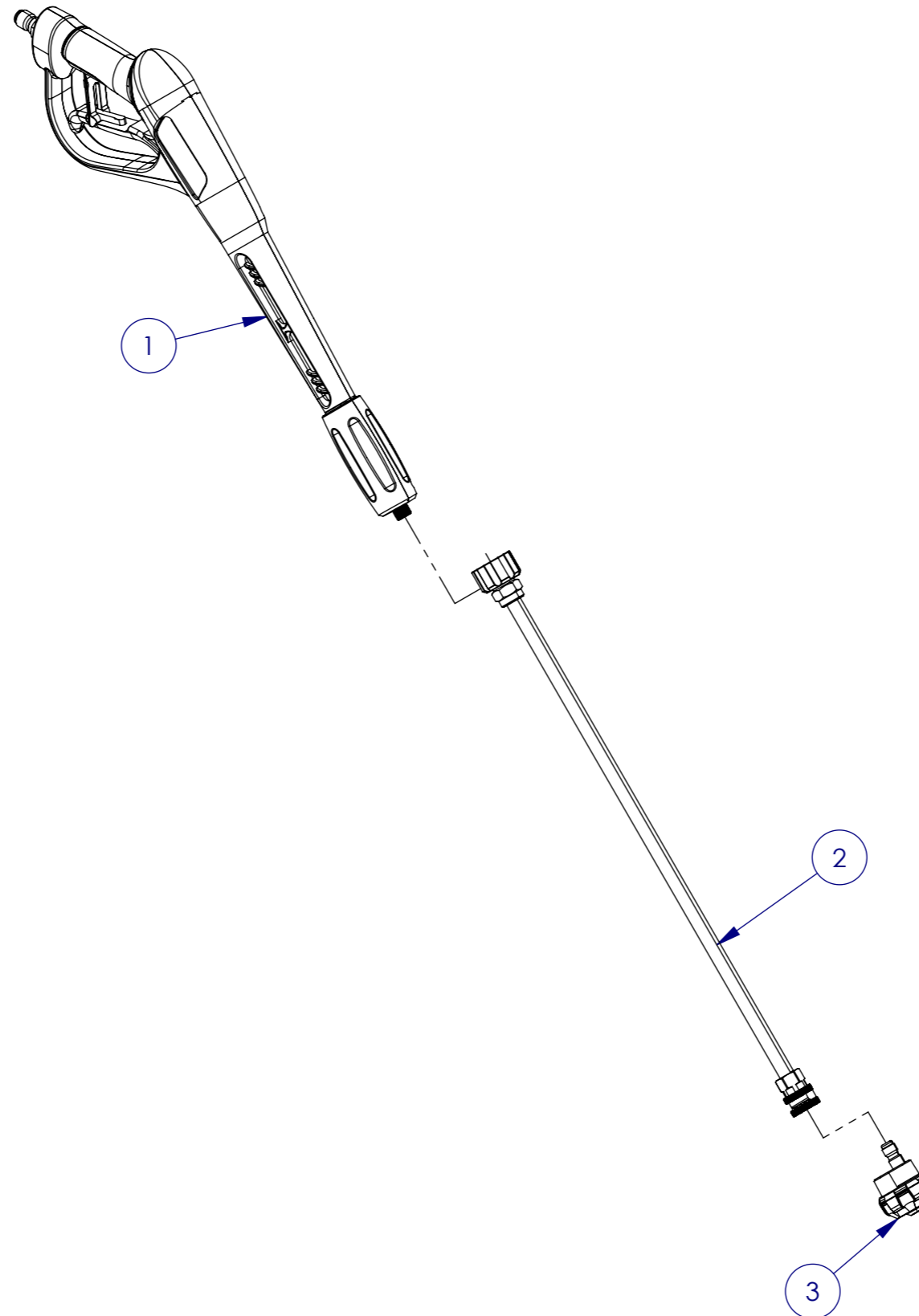


REVISIONS

REV.	DESCRIPTION	DATE
------	-------------	------

PRINT MAY BE REDUCED - DO NOT SCALE.

ITEM NO.	PART NO.	PART NAME	QTY
1	DPC-2200-05-01	WAND HOUSING	1
2	DPC-2200-05-02	WAND SHAFT	1
3	DPC-2200-05-04	VARIABLE SPRAY NOZZLE	1



Sydney (Head Office) Ph: 1300 795 953
 15 Waltham St Fax: (02) 9439 9815
 Artarmon, 2064 www.makinex.com.au
 NSW, Australia sales@makinex.com.au

COPYRIGHT 2019 MAKINEX.
 WARNING: Copyright in this drawing remains the property of Kennards Innovation and Sustainability and copying in whole or part is not permitted without the written authority of the copyright owner.

GENERAL TOLERANCES
 (Unless otherwise noted)
 0-100mm: ± 0.25 mm
 100mm - 500mm: ± 0.5 mm
 500mm+: ± 1.0 mm
 Angular: ± 1 deg.

Third Angle Projection
 - AS 1100

DATE: 29-Jun-21

PROJECT: DPC-2200

DRN: DM

REV: 001

SCALE: 1:10 A3

DWG NO.

TITLE

MATERIAL

THICKNESS

FINISH

DPC-2200-05-00

WAND ASSEMBLY

NA

NA

NA

NOTES:

All Dimensions are in Millimetres
 Break All Sharp Corners and Remove Burrs & Swarf

25
 Denotes Critical Dimension

SHEET 6 OF 6

PRINTED: 29-Jun-21