

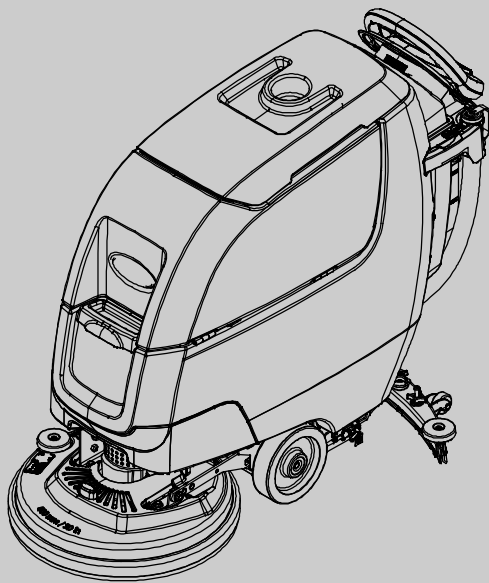
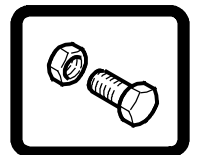


# T300 T300e

AUTOMATIC FLOOR SCRUBBER

Machine Serial Number Range  
(S/N 30000000- 40000000)

Parts Manual



*Hygenic<sup>®</sup> Fully Cleanable Recovery Tank*  
*Tennant True<sup>®</sup> Parts*  
*IRIS<sup>®</sup> a Tennant Technology*



For the latest Parts manuals and other  
language Operator manuals, visit:

[www.tennantco.com/manuals](http://www.tennantco.com/manuals)

**China / International / Japan**

[www.tennantco.com](http://www.tennantco.com)

9014517  
Rev. 04 (03-2017)



Ref	Part No.	Serial Number	Description	Qty.
1	82681	(000000- )	Bracket Wldt, Lpg Mount	1
▽ 2	63810	(000000- )	Latch Assy, Lpg Tank Mtg, W/Nut	4
▲ 3	51839	(000000- )	Nut Adjustable, Lpg Tank Mtg	2
4	49263	(000000- )	Tie, Cable	3
D	82556	(000000- 001039)	Bracket, Vaporizer	1
5	54930	(000000- )	Vaporizer, LPG	1

**HOW TO ORDER PARTS - See diagram above**

Only use TENNANT Company supplied or equivalent parts. Parts and supplies may be ordered online, by phone, by fax or by mail.

Follow the steps below to ensure prompt delivery.

1. **(A)** Identify the machine model.
2. **(B)** Identify the machine serial number from the data label.
3. **(C)** Ensure the proper serial number is used from the parts list.
4. Identify the part number and quantity.  
Do not order by page or reference numbers.
5. Provide your name, company name, customer ID number, billing and shipping address, phone number and purchase order number.
6. Provide detail shipping instructions.

- (D)** ▽ - identifies an assembly  
 ▲ - identifies parts included in assembly

**Please fill out at time of installation for future reference.**

Model No. - \_\_\_\_\_

Serial No. - \_\_\_\_\_

Machine Options - \_\_\_\_\_

Sales Rep. - \_\_\_\_\_

Sales Rep. phone no. - \_\_\_\_\_

Customer ID Number - \_\_\_\_\_

Installation Date - \_\_\_\_\_

**Tennant Company**  
 PO Box 1452  
 Minneapolis, MN 55440 USA  
 Phone: (800) 553- 8033  
 www.tennantco.com

**TENNANT Cleaning Systems & Equipment (Shanghai) Co., Ltd**  
 Building 1, No. 3777 Caoying Road  
 Qingpu Shanghai, China 201712  
 Phone: 86 21 6922 5333  
 Fax: 86 21 69225151  
 www.tennant.co.cn

**TENNANT Company Japan**  
 9F Industry & Trade Center  
 2 Yamashita-cho, Naka-ku  
 Yokohama, Kanagawa 231-0023  
 Japan  
 Phone: 81- 45- 640- 5630  
 Fax: 81- 45- 640- 5604  
 www.tennant.co.jp

Specifications and parts are subject to change without notice.

Copyright © 2015 - 2017 TENNANT Company, Printed in China.

<b>CN</b>	<p><b>如何订购部件 - 参见下表</b></p> <p>仅使用 TENNANT 公司提供的或同等部件。部件和供应可以在线订购，通过电话、传真或邮件订购。请遵循下面的步骤确保及时交付。</p> <ol style="list-style-type: none"> <li>1. <b>(A)</b> 确定机器型号。</li> <li>2. <b>(B)</b> 从数据标签确定机器序列号。</li> <li>3. <b>(C)</b> 确保使用部件列表中的正确序列号。</li> <li>4. 确定部件号和数量。 不要按页面或参考编号订购。</li> <li>5. 提供您的姓名、公司名称、客户 ID 号、付帐和送货地址、电话号码和采购单编号。</li> <li>6. 提供详细的送货说明。</li> </ol> <hr/> <p><b>(D)</b> ▽ - 确定组件 ▲ - 确定组件中包含的组件</p>	<p><b>请在安装时填写供未来参考。</b></p> <p>型号 - _____</p> <p>序列号 - _____</p> <p>机器选项 - _____</p> <p>销售代表 - _____</p> <p>销售代表电话号码 - _____</p> <p>客户 ID 编号 - _____</p> <p>安装日期 - _____</p>
-----------	--	--

<b>JP</b>	<p><b>パーツの発注方法 ? 上記の図を参照してください</b></p> <p>TENNANT社製のパーツまたは同等品のみをお使いください。パーツやサプライ品のご注文は、オンライン、電話、FAX、または手紙でお願いいたします。確実にお届けできるように、以下の情報お知らせください。</p> <ol style="list-style-type: none"> <li>1. <b>(A)</b> 製品のモデル名をお知らせください。</li> <li>2. <b>(B)</b> 製品のデータラベルに印刷されているシリアル番号をお知らせください。</li> <li>3. <b>(C)</b> パーツリストを参照して、シリアル番号が正しいかご確認ください。</li> <li>4. パーツ番号と数量をお知らせください。マニュアル/カタログのページ番号や参照番号でのご注文はご遠慮ください。</li> <li>5. お客様のお名前、会社名、顧客ID番号、請求/発送先住所、電話番号、注文書番号をお知らせください。</li> <li>6. 発送に関するご希望があれば、明記してください。</li> </ol> <hr/> <p><b>(D)</b> ▽ - アセンブリを示します ▲ - アセンブリに含まれるパーツを示します</p>	<p><b>後日確認できるように、設置時に記入してください。</b></p> <p>モデルNo. - _____</p> <p>シリアルNo. - _____</p> <p>製品のオプション - _____</p> <p>販売代理店 - _____</p> <p>販売代理店の電話番号 - _____</p> <p>顧客ID番号 - _____</p> <p>設置日 - _____</p>
-----------	---	---



**STANDARD PARTS**

GENERAL RECOMMENDED MAINTENANCE ITEMS .....	7	SOLUTION GROUP, T300e MODEL .....	66
BRUSHES AND PAD DRIVER GROUP, 43CM DISK 3- LUG HUB .....	10	SOLUTION GROUP, T300 MODEL .....	68
BRUSHES AND PAD DRIVER GROUP, 43CM DISK MAGNETIC HUB .....	12	SOLUTION GROUP, T300e MODEL ec- H2O ...	70
BRUSHES AND PAD DRIVER GROUP, 50CM DISK 3- LUG HUB .....	14	SOLUTION GROUP, T300 MODEL ec- H2O ....	72
BRUSHES AND PAD DRIVER GROUP, 50CM DISK MAGNETIC HUB .....	16	SOLUTION GROUP, T300 MODEL ec- H2O & SEVERE ENVIRONMENT .....	74
BRUSHES AND PAD DRIVER GROUP, 60CM DUAL DISK 3- LUG HUB .....	18	ELECTRICAL COMPONENTS GROUP, T300e MODEL .....	78
BRUSHES AND PAD DRIVER GROUP, 60CM DUAL DISK MAGNETIC HUB .....	20	ELECTRICAL COMPONENTS GROUP, T300 MODEL .....	80
BRUSHES GROUP, 50CM CYLINDRICAL .....	22	TELEMETRY GROUP, T300 MODEL .....	82
PAD GROUP, 50CM ORBITAL .....	23	LOWER CONSOLE GROUP, ON- BOARD CHARGER .....	84
SCRUB HEAD GROUP, 43CM DISK, 3- LUG HUB .....	24	LOWER CONSOLE GROUP, OFF- BOARD CHARGER .....	86
SCRUB HEAD GROUP, 43CM DISK, MAGNETIC HUB .....	26	HANDLE GROUP, T300e MEMBRANE, PROPEL .....	88
SCRUB HEAD GROUP, 50CM DISK, 3- LUG HUB .....	28	HANDLE GROUP, T300e MEMBRANE, PUSH ..	90
SCRUB HEAD GROUP, 50CM DISK, MAGNETIC HUB .....	30	HANDLE GROUP, T300 PRO-MEMBRANE, PROPEL, ACTUATED DOWN PRESSURE ...	92
SCRUB HEAD GROUP, 60CM DUAL DISK, 3- LUG HUB .....	32	HANDLE GROUP, T300 MEMBRANE, PROPEL, MANUAL DOWN PRESSURE .....	94
SCRUB HEAD GROUP, 60CM DUAL DISK, 3- LUG HUB - CONT'D .....	34	HANDLE GROUP, T300 PRO-MEMBRANE, PUSH, ACTUATED DOWN PRESSURE .....	96
SCRUB HEAD GROUP, 60CM DUAL DISK, MAGNETIC HUB .....	36	HANDLE GROUP, T300 MEMBRANE, PUSH, MANUAL DOWN PRESSURE .....	98
SCRUB HEAD GROUP, 50CM CYLINDRICAL ..	40	HANDLE GROUP, T300 PRO-PANEL (LCD), PROPEL .....	100
SCRUB HEAD GROUP, 50CM ORBITAL .....	44	HANDLE GROUP, T300 PRO-PANEL (LCD), PUSH .....	102
RECOVERY TANK GROUP, T300e MODEL ....	46	SHROUD GROUP, DISK AND ORBITAL HEAD .	104
RECOVERY TANK GROUP, T300 MODEL .....	48	SHROUD GROUP, CYLINDRICAL HEAD .....	106
RECOVERY TANK FILTER AND HOSE GROUP, SCREW CAP .....	50	SCRUB HEAD LIFT GROUP, 43CM DISK MODEL .....	108
RECOVERY TANK FILTER AND HOSE GROUP, CONTROL VALVE .....	52	SCRUB HEAD LIFT GROUP, 50CM DISK MODEL .....	110
SOLUTION TANK GROUP .....	54	SCRUB HEAD LIFT GROUP, 60CM DUAL DISK MODEL .....	112
FRAME GROUP, PROPEL MODEL .....	56	SCRUB HEAD LIFT GROUP, 50CM CYLINDRICAL MODEL .....	114
FRAME GROUP, PUSH MODEL .....	58	SCRUB HEAD LIFT GROUP, 50CM ORBITAL MODEL .....	116
ACTUATED DOWN PRESSURE GROUP .....	60	SQUEEGEE GROUP .....	118
MANUAL DOWN PRESSURE GROUP .....	62		
SINGLE DOWN PRESSURE GROUP .....	64		

# TABLE OF CONTENTS

---

## STANDARD PARTS - Cont'd

---

BATTERY CABLE GROUP, T300e Model .....	120
BATTERY CABLE GROUP, T300 Model .....	122
BATTERY GROUP, 105AH C20 WET .....	124
BATTERY GROUP, 130AH C20 WET .....	125
BATTERY GROUP, 155AH C20 WET .....	126
BATTERY GROUP, 140AH C20 AGM .....	127
LABEL GROUP .....	128
ELECTRICAL DIAGRAM, PROPEL MEMBRANE T300 .....	132
ELECTRICAL DIAGRAM, PUSH MEMBRANE T300 .....	136
ELECTRICAL DIAGRAM, PROPEL PRO- PANEL (LCD) T300 .....	140
ELECTRICAL DIAGRAM, PUSH PRO- PANEL (LCD) T300 .....	144
ELECTRICAL DIAGRAM, PROPEL T300e .....	148
ELECTRICAL DIAGRAM, PUSH T300e .....	151
ELECTRICAL HARNESS, MAIN PROPEL T300 (S/N 30066322 - ) .....	154
ELECTRICAL HARNESS, MAIN PROPEL T300 (S/N 30000000 - 30066321) .....	158
ELECTRICAL HARNESS, MAIN PUSH T300 (S/N 30066322 - ) .....	162
ELECTRICAL HARNESS, MAIN PUSH T300 (S/N 30000000 - 30066321) .....	166
ELECTRICAL HARNESS, MAIN PROPEL T300e (S/N 30061052 - ) .....	170
ELECTRICAL HARNESS, MAIN PROPEL T300e (S/N 30000000 - 30061051) .....	174
ELECTRICAL HARNESS, MAIN PUSH T300e (S/N 30061119 - ) .....	178
ELECTRICAL HARNESS, MAIN PUSH T300e (S/N 30000000 - 30061118) .....	182
ELECTRICAL HARNESS, OPTIONS PROPEL ..	186
ELECTRICAL HARNESS, OPTIONS PUSH .....	187
ELECTRICAL HARNESS, BAIL SWITCH .....	188
ELECTRICAL HARNESS, ADAPTER (TELEMETRY MODELS) .....	189

## OPTIONS

BATTERY LIFT OUT BOX KIT .....	190
HYDROLINK® BATTERY WATERING SYSTEM KIT .....	192
DOCUMENTATION GROUP .....	194

## BREAKDOWNS

ec- H2O NANOCLEAN MODULE BREAKDOWN .....	196
ORBITAL HEAD ECCENTRIC DRIVE BREAKDOWN .....	198

# RECOMMENDED MAINTENANCE ITEMS

## GENERAL RECOMMENDED MAINTENANCE ITEMS

Part No.	Serial Number	Description	Qty.
1016763	(30000000-40000000)	) Brush Assy, Disk, Scb, 17.0d, Abr (3- Lug)	1
1016764	(30000000-40000000)	) Brush Assy, Disk, Scb, 17.0d, Nyl (3- Lug)	1
1016765	(30000000-40000000)	) Brush Assy, Disk, Scb, 17.0d, Pyp (3- Lug)	1
1213034	(30000000-40000000)	) Brush Assy, Disk, Scb, 43cm, Mag, Nyl	1
1213035	(30000000-40000000)	) Brush Assy, Disk, Scb, 43cm, Mag, Pyp	1
1213037	(30000000-40000000)	) Brush Assy, Disk, Scb, 43cm, Mag, Ab	1
1050273	(30000000-40000000)	) Pad, Polish, 17.0d, White [1pick=1pad]	1
1050271	(30000000-40000000)	) Pad, Buff, 17.0d, Red [1pick=1pad]	1
1050270	(30000000-40000000)	) Pad, Scb, 17.0d, Blue [1pick=1pad]	1
1050267	(30000000-40000000)	) Pad, Stripping, 17.0d, Brown[1pick=1pad]	1
1050262	(30000000-40000000)	) Pad, Stripping, 17.0d[Hi Pro,1pick=1pad]	1
1051028	(30000000-40000000)	) Pad, Surf Prep, 17.0d [Mar, 1pick=1pad]	1
1016805	(30000000-40000000)	) Brush Assy, Disk, Scb, 20.0d, Abr (3- Lug)	1
1016810	(30000000-40000000)	) Brush Assy, Disk, Scb, 20.0d, Nyl (3- Lug)	1
1016811	(30000000-40000000)	) Brush Assy, Disk, Scb, 20.0d, Pyp (3- Lug)	1
1210386	(30000000-40000000)	) Brush Assy, Disk, Scb, 50cm, Mag, Nyl	1
1213032	(30000000-40000000)	) Brush Assy, Disk, Scb, 50cm, Mag, Pyp	1
1213033	(30000000-40000000)	) Brush Assy, Disk, Scb, 50cm, Mag, Ab	1
17260	(30000000-40000000)	) Pad, Polish, 20.0d, White [1pick=1pad]	1
17261	(30000000-40000000)	) Pad, Buff, 20.0d, Red [1pick=1pad]	1
17262	(30000000-40000000)	) Pad, Scb, 20.0d, Blu [1pick=1pad]	1
17263	(30000000-40000000)	) Pad, Stripping, 20.0d, Brown[1pick=1pad]	1
370094	(30000000-40000000)	) Pad, Stripping, 20.0d[Hi Prod,1pick=1pad]	1
1051030	(30000000-40000000)	) Pad, Surf Prep, 20.0d [Mar, 1pick=1pad]	1
1056306	(30000000-40000000)	) Brush Assy, Disk, Scb, 12.0d, 3- Lug, Nyl	2
1056313	(30000000-40000000)	) Brush Assy, Disk, Scb, 12.0d, 3- Lug, Pyp	2
1063297	(30000000-40000000)	) Brush Assy, Disk, Scb, 12.0d, 3- Lug, Abr	2
1210136	(30000000-40000000)	) Brush Assy, Disk, Scb, 30cm, Mag, Nyl	2
1213040	(30000000-40000000)	) Brush Assy, Disk, Scb, 30cm, Mag, Pyp	2
1213041	(30000000-40000000)	) Brush Assy, Disk, Scb, 30cm, Mag, Ab	2
385940	(30000000-40000000)	) Pad, Polish, 12.0d, White [1pick=1pad]	2
385941	(30000000-40000000)	) Pad, Buff, 12.0d, Red [1pick=1pad]	2
385942	(30000000-40000000)	) Pad, Scb, 12.0d, Blu [1pick=1pad]	2
385943	(30000000-40000000)	) Pad, Stripping, 12.0d, Brown[1pick=1pad]	2
1063334	(30000000-40000000)	) Pad, Stripping, 12.0d [Hi- Prod] Blk	2
1051020	(30000000-40000000)	) Pad, Surf Prep, 12.0d [Mar, 1pick=1pad]	2
1209188	(30000000-40000000)	) Brush, Scb, 21l, 20sr, Nyl (Cylindrical Model)	2
1212762	(30000000-40000000)	) Brush, Scb, 21l, 20sr, Pyp (Cylindrical Model)	2
1205512	(30000000-40000000)	) Pad, Polish, 20 X 14, White [1pick=1pc] (Orbital Model)	1
1205513	(30000000-40000000)	) Pad, Buff, 20 X 14, Red [1pick=1pc] (Orbital Model)	1
1205514	(30000000-40000000)	) Pad, Scb, 20 X 14, Blu [1pick=1pc] (Orbital Model)	1
1205515	(30000000-40000000)	) Pad, Surf Prep, 20 X 14[Mar, 1pick=1pad] (Orbital Model)	1
1217830	(30000000-40000000)	) Pad, Backer, 20 X 14 (Orbital Model)	1
▽ 9014172	(30000000-40000000)	) Squeegee Kit, Linatex, Am [T300/E/Ss300]	1
▲ 1203954	(30000000-40000000)	) Blade, Sqge, Front, 788l, Linatex[500mm] (Standard)	1
1215611	(30000000-40000000)	) Blade, Sqge, Front, 788l, Urethane[500mm] (Option)	1
1215612	(30000000-40000000)	) Blade, Sqge, Front, 788l, Gum[500mm] (Option)	1
▲ 1203953	(30000000-40000000)	) Blade, Sqge, Rear, 836l, Linatex[500mm] (Standard)	1
1215609	(30000000-40000000)	) Blade, Sqge, Rear, 836l, Urethane[500mm] (Option)	1
1215610	(30000000-40000000)	) Blade, Sqge, Rear, 836l, Gum[500mm] (Option)	1
▲ 1010560	(30000000-40000000)	) Wheel, Bmpr, 80d X 25w, Non- Marking	2
▲ 630477	(30000000-40000000)	) Wheel, Pyu, 02.0d 0.38w, Gray	2

# RECOMMENDED MAINTENANCE ITEMS

## GENERAL RECOMMENDED MAINTENANCE ITEMS

Part No.	Serial Number	Description	Qty.
1055019	(30000000- 40000000 )	Bumper, Head, 43cm, W/ Bristle Skirt, 1m	1
1055025	(30000000- 40000000 )	Bumper, Head, 50cm, W/ Bristle Skirt, 1m	1
1072656	(30000000- 40000000 )	Bumper, Head, 60cm, Bristle Skirt	1
1010560	(30000000- 40000000 )	Wheel, Bmpr, 80d X 25w, Non- Marking (Disk Heads)	1
▽ 1226976	(30062111- 40000000 )	Motor, Ele, 24vdc 0215rpm 650w, 17mm (43CM & 50CM Disk Head - T300 & T300e Models)	1
▲ 1227273	(30062111- 40000000 )	Vr, Brush Kit, Motor, Ele (4pc)	1
▽ 1210703	(30000000- 30062110 )	Motor, Ele, 24vdc 0200rpm 1.00hp, 17mm (43CM & 50CM Disk Head - T300 & T300e Models) (Replaced By 9015159)	1
▲ 1045790	(30000000- 30062110 )	Brush Kit, Replmt, Carbon 24vdc [1pk=1set] (4Pc) (For Sanrong Motor - Frame #56S)	1
▽ 1228117	(30066322- 40000000 )	Motor, Ele, 24vdc 150rpm 0.68hp, 17mm (50CM Disk Head - T300e Model Only)	1
▲ 1045790	(30000000- 40000000 )	Vr, Brush Kit, Motor, Ele (4pc)	1
▽ 1222495	(30000000- 30066321 )	Motor, Ele, 24vdc 150rpm 0.68hp, 17mm (50CM Disk Head - T300e Model Only) (Replaced By 9015198)	1
▲ 1045790	(30000000- 40000000 )	Brush Kit, Replmt, Carbon 24vdc [1pk=1set] (4Pc) (For Sanrong Motor - Frame #56S)	1
▽ 1227280	(30066322- 40000000 )	Motor, 24vdc, 2000rpm, 7/8hp (60CM Disk Head)	1
▲ 1059370	(30000000- 40000000 )	Brush, Motor, Replmt [Bag Of 4]	1
▽ 1210212	(30000000- 30066321 )	Motor, 24vdc, 2000rpm, 7/8hp, Us (60CM Disk Head) (Replaced By 9015160)	1
▲ 1059370	(30000000- 40000000 )	Brush, Motor, Replmt [Bag Of 4]	1
▽ 1210202	(30000000- 40000000 )	Motor, Ele, 24vdc [Vw Cyl] (Cylindrical Head)	1
▲ 1059370	(30000000- 40000000 )	Brush, Motor, Replmt (Bag Of 4) (Cylindrical Head)	1
▽ 1212669	(30000000- 40000000 )	Motor, Ele, 24vdc, 2200rpm, .6hp, 22mm (Orbital Head)	1
▲ 1059370	(30000000- 40000000 )	Brush, Motor, Replmt [Bag Of 4] (Orbital Head)	1
1055305	(30000000- 40000000 )	Belt, Drive, 6pj, Ej139 [T3] (60CM Disk Head)	1
▽ 9014166	(30000000- 40000000 )	Kit, Belt, Motor (Includes Installation Tool) (Cyl Head)	1
▲ 1213132	(30000000- 40000000 )	Tool, Installation, Belt	1
1215666	(30000000- 40000000 )	Skirt, Side, Cyl, Floating (Cylindrical Head)	2
630477	(30000000- 40000000 )	Wheel, Pyu, 02.0d 0.38w, Gray (Cylindrical Head)	4
▽ 1202880	(30000000- 40000000 )	Fan, Vacuum, 6.6d, 024vdc, 2 Stage (T300 Model)	1
▲ 1206774	(30000000- 40000000 )	Vr, Brush Kit, Motor, Fan (1 Pkg = 2 Pcs)	1
▽ 1219312	(30000000- 40000000 )	Fan, Vacuum, 5.7d, 024vdc, 2 Stage (T300e Model)	1
▲ 372883	(30000000- 40000000 )	Vr, Brush Kit, Motor, Ele (1 Pkg = 2 Pcs)	1
▽ 9014872	(30052709- 40000000 )	Kit, Deflector, Tray, Debris, Cl, [T300]	1
▲ 1225187	(30052709- 40000000 )	Seal, Rbr, Clsd, 12.7 <sup>Th</sup> , 24.0ld, 40.0Od	1
▲ 1224899	(30052709- 40000000 )	Deflector, Tray, Debris	1
▲ 1207357	(30000000- 40000000 )	Tray, Debris, Tank, Recvy [T300]	1
9014905	(30052396- 40000000 )	Cover Kit, Circuitbreaker, Ci[T300/E/Ss]	1
630052	(30000000- 40000000 )	Float, Shut- Off, (2)Ball, 1.75d	1
▽ 1213008	(30000000- 40000000 )	Hose Assy, Drain, 1.5d 025l 1.5/Cap [Pu] (Gray)	1
▲ 1219134	(30000000- 40000000 )	Cap, Drain Assy [Gray]	1
▽ 1229594	(30000000- 40000000 )	Hose Assy, Drain, 1.5d 017l, [Pvc], [Ch]	1
▲ 1218955	(30000000- 40000000 )	Cap, Drain Assy [Black]	1
1204663	(30000000- 40000000 )	Hose Assy, W/2cuff, 1.5d 026l 1.5/1.5 [Pu] (Gray)	1
1229595	(30000000- 40000000 )	Hose Assy, W/2cuff, 1.5d 022l, [Pvc], [Ch]	1
▽ 9014171	(30000000- 40000000 )	Hose Assy, With Valve	1
▲ 1051986	(30000000- 40000000 )	Valve, Ball, 2way, 1.0id Pvc, W/Handle	1
▲ 1222591	(30000000- 40000000 )	Hose Assy, 45cuff, 1.5d 021l 1.5/1.5 [Pu] (Gray)	1



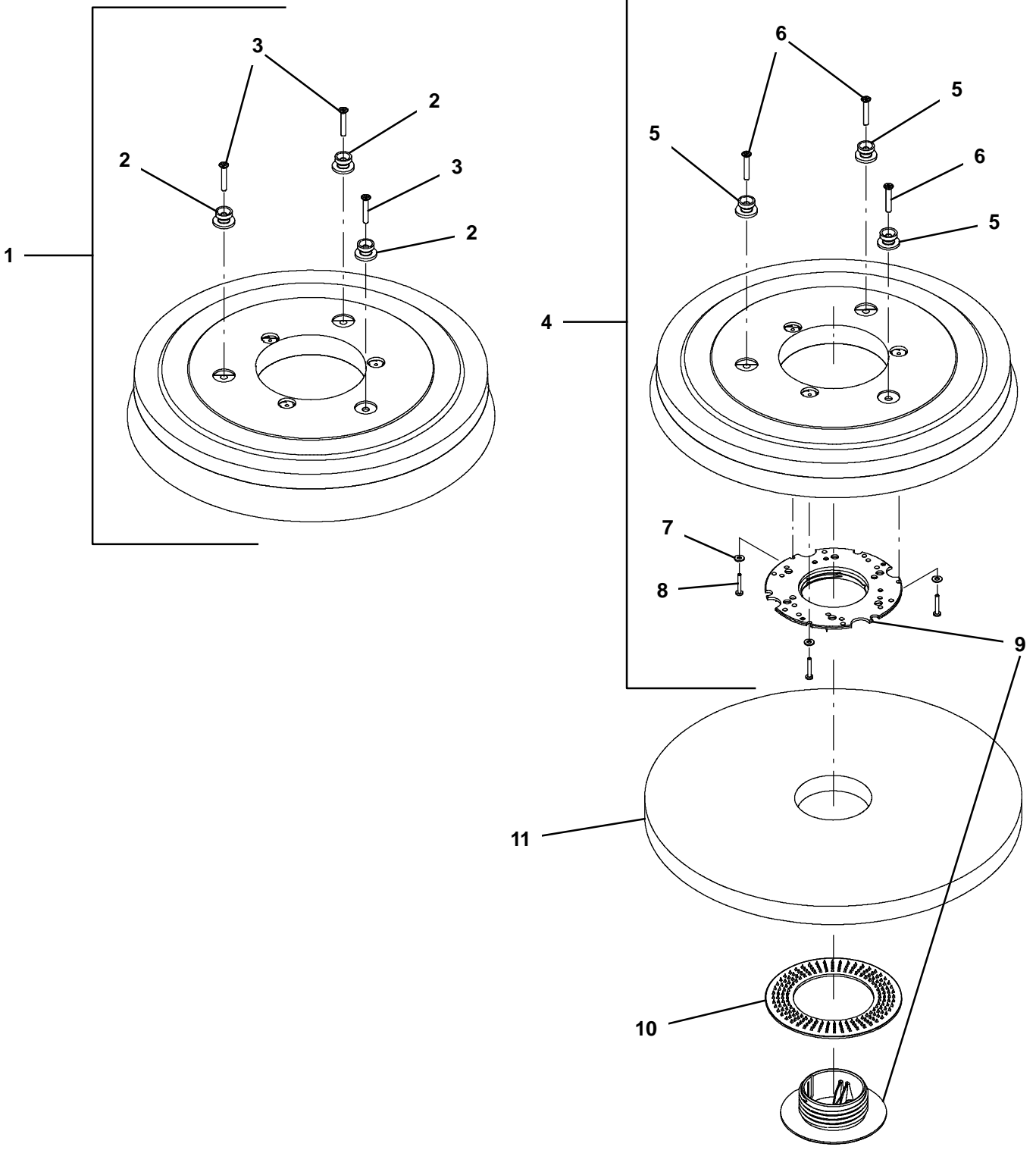
# RECOMMENDED MAINTENANCE ITEMS

## GENERAL RECOMMENDED MAINTENANCE ITEMS

	<b>Part No.</b>	<b>Serial Number</b>	<b>Description</b>	<b>Qty.</b>
	1210472	(30000000- 40000000 )	Seal, Afmkt, Bulb, 0.50d .13grip, 05ft (Rec Tank Lid)	1
	1046428	(30000000- 40000000 )	Seal, Afmkt, Rbr, Clsd, Adh, 02ft (Front Fill Cover)	1
▽	1216386	(30000000- 40000000 )	Motor, Transaxle, 24vdc, Replmt [Ul, Ce]	1
▲	1212351	(30000000- 40000000 )	Brush Kit, Carbon, Transaxle, Ul (1 Kit = 4 Pcs)	1
	1214595	(30000000- 40000000 )	Wheel, Scrbr, 8.00d, W/ Taper [Hi Trac] (Propel Model)	2
	1214586	(30000000- 40000000 )	Wheel, Scrbr, 8.00d, W/ Brg [Hi Trac] (Push Model)	2
	1212422	(30000000- 40000000 )	Caster, Swivel [Wicke 224051]	1
▽	1211537	(30000000- 40000000 )	Filter, In- Line, Pf06/Pf06 080m 2.6l Epd	1
▲	1218885	(30000000- 40000000 )	Gasket [Epdm, F/1211537]	1
▲	1218883	(30000000- 40000000 )	Screen, Fltr, 80 Mesh, Ss [W/ Cage]	1
▲	613991	(30000000- 40000000 )	Bowl, Clr, Short, F/1005302	1
▽	9011810	(30000000- 40000000 )	Module Kit, Replmt [Ec- H2o, B 02] (See Breakdowns)	1
▲	9013646	(30000000- 40000000 )	Cartridge, Ec- H2o Nanoclean Wcm, 270ml	1

BRUSHES AND PAD DRIVER GROUP, 43CM DISK 3-LUG HUB

355330



**BRUSHES AND PAD DRIVER GROUP, 43CM DISK 3- LUG HUB**

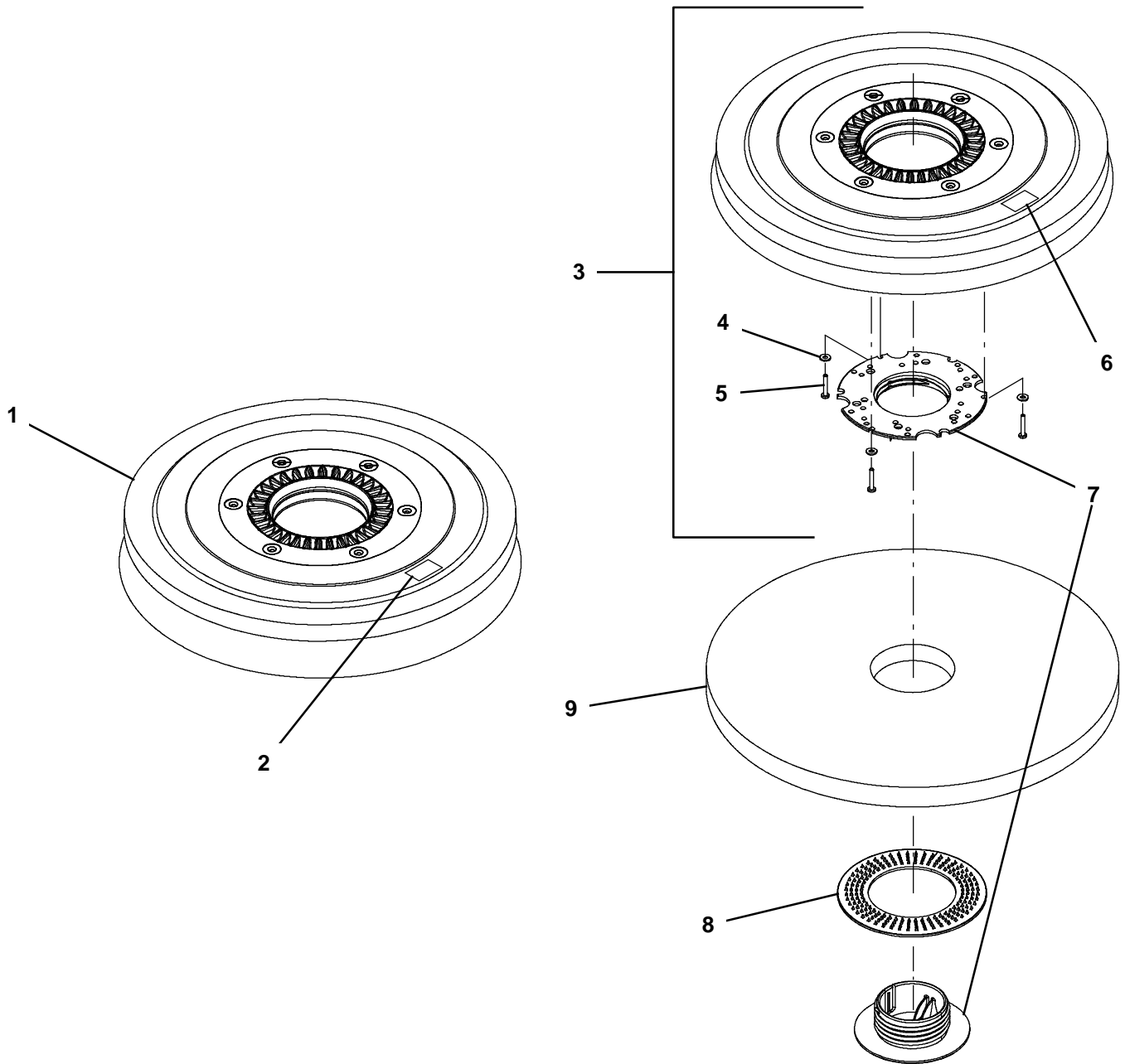
Ref.	Part No.	Serial Number	Description	Qty.
▽	1	1016763	(30000000- 40000000 ) Brush Assy, Disk, Scb, 17.0d, Abr	1
▽	1	1016764	(30000000- 40000000 ) Brush Assy, Disk, Scb, 17.0d, Nyl	1
▽	1	1016765	(30000000- 40000000 ) Brush Assy, Disk, Scb, 17.0d, Pyp	1
▲	2	1013018	(30000000- 40000000 ) Stud, Drive, Brush Pad	3
▲	3	1021316	(30000000- 40000000 ) Screw, Flt, Phl, M6 X 1.00 X 35, Ss	3
▽	4	1212965	(30000000- 40000000 ) Driver Assy, Pad, 43cm, Brush, 3 Lug	1
▲	5	1013018	(30000000- 40000000 ) Stud, Drive, Brush Pad	3
▲	6	1021316	(30000000- 40000000 ) Screw, Flt, Phl, M6 X 1.00 X 35, Ss	3
▲	7	41579	(30000000- 40000000 ) Washer, Flat, 08, Ss	3
▲	8	04403	(30000000- 40000000 ) Screw, Pan, Phl, M4 X 0.70 X 25, NI, Ss	3
▲	9	32506	(30000000- 40000000 ) Device, Centering, Rh Pad Retainer	1
▲	10	32505	(30000000- 40000000 ) Washer, Flat, 92b 156d 2.6l, Pad Driver	1
	11	1050273	(30000000- 40000000 ) Pad, Polish, 17.0d, White [1pick=1pad]	1
	11	1050271	(30000000- 40000000 ) Pad, Buff, 17.0d, Red [1pick=1pad]	1
	11	1050270	(30000000- 40000000 ) Pad, Scb, 17.0d, Blue [1pick=1pad]	1
	11	1050267	(30000000- 40000000 ) Pad, Stripping, 17.0d, Brown[1pick=1pad]	1
	11	1050262	(30000000- 40000000 ) Pad, Stripping, 17.0d[Hi Pro,1pick=1pad]	1
	11	1051028	(30000000- 40000000 ) Pad, Surf Prep, 17.0d [Mar, 1pick=1pad]	1

▽ ASSEMBLY

▲ INCLUDED IN ASSEMBLY

BRUSHES AND PAD DRIVER GROUP, 43CM DISK MAGNETIC HUB

355338



**BRUSHES AND PAD DRIVER GROUP, 43CM DISK MAGNETIC HUB**

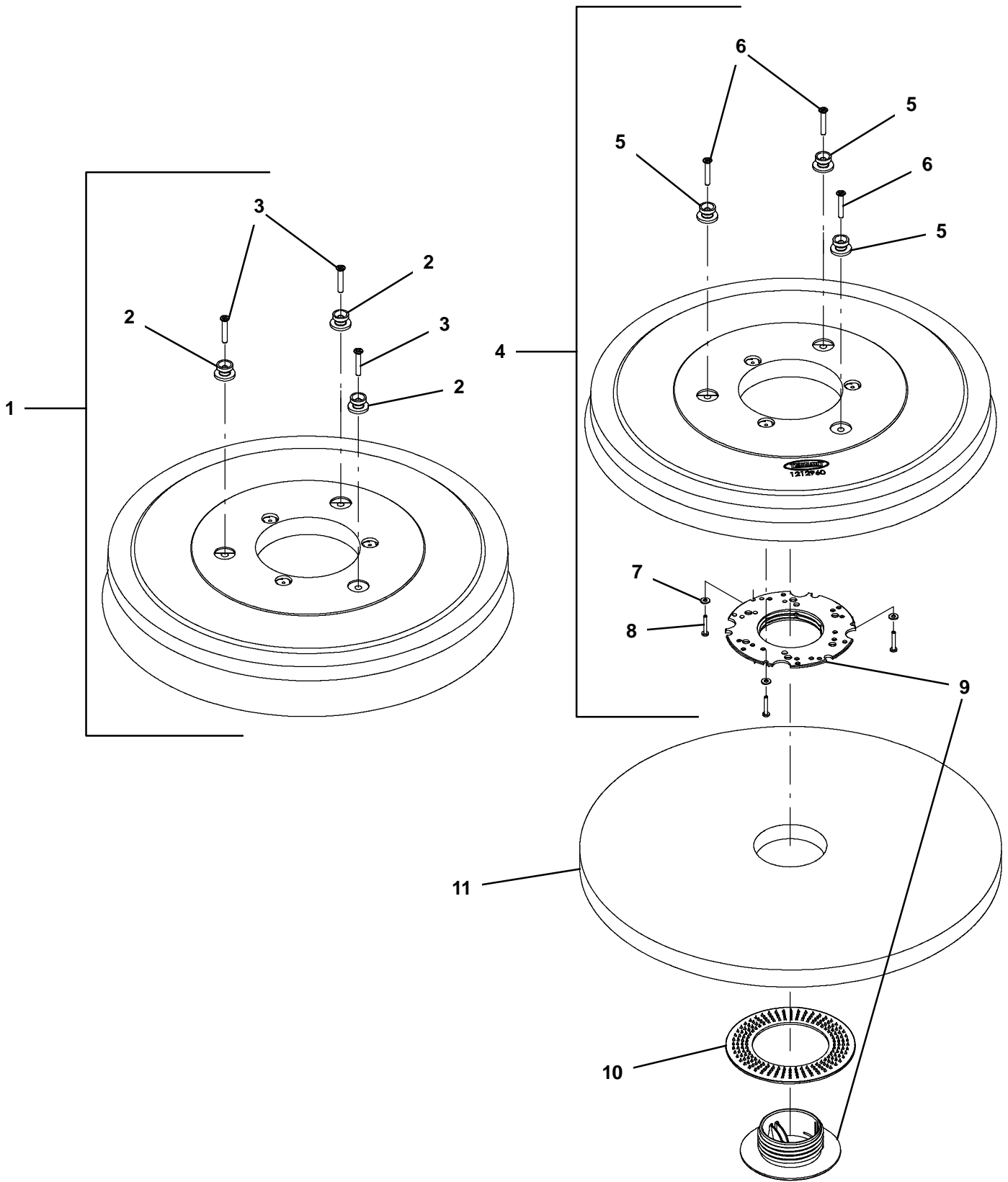
Ref.	Part No.	Serial Number	Description	Qty.
▽	1	1213034	(30000000- 40000000 ) Brush Assy, Disk, Scb, 43cm, Mag, Nyl	1
▽	1	1213035	(30000000- 40000000 ) Brush Assy, Disk, Scb, 43cm, Mag, Pyp	1
▽	1	1213037	(30000000- 40000000 ) Brush Assy, Disk, Scb, 43cm, Mag, Ab	1
▲	2	1218392	(30000000- 40000000 ) Label, Safety, Magnet, Med	1
▽	3	1211869	(30000000- 40000000 ) Driver Assy, Pad, 43cm, Brush, Magnetic	1
▲	4	41579	(30000000- 40000000 ) Washer, Flat, 08, Ss	3
▲	5	1212542	(30000000- 40000000 ) Screw, Pan, Phl, M4 X 0.70 X 12, Nl, Ss	3
▲	6	1218392	(30000000- 40000000 ) Label, Safety, Magnet, Med	1
▲	7	32506	(30000000- 40000000 ) Device, Centering, Rh Pad Retainer	1
▲	8	32505	(30000000- 40000000 ) Washer, Flat, 92b 156d 2.6l, Pad Driver	1
	9	1050273	(30000000- 40000000 ) Pad, Polish, 17.0d, White [1pick=1pad]	1
	9	1050271	(30000000- 40000000 ) Pad, Buff, 17.0d, Red [1pick=1pad]	1
	9	1050270	(30000000- 40000000 ) Pad, Scb, 17.0d, Blue [1pick=1pad]	1
	9	1050267	(30000000- 40000000 ) Pad, Stripping, 17.0d, Brown[1pick=1pad]	1
	9	1050262	(30000000- 40000000 ) Pad, Stripping, 17.0d[Hi Pro,1pick=1pad]	1
	9	1051028	(30000000- 40000000 ) Pad, Surf Prep, 17.0d [Mar, 1pick=1pad]	1

▽ ASSEMBLY

▲ INCLUDED IN ASSEMBLY

BRUSHES AND PAD DRIVER GROUP, 50CM DISK 3-LUG HUB

355331



**BRUSHES AND PAD DRIVER GROUP, 50CM DISK 3- LUG HUB**

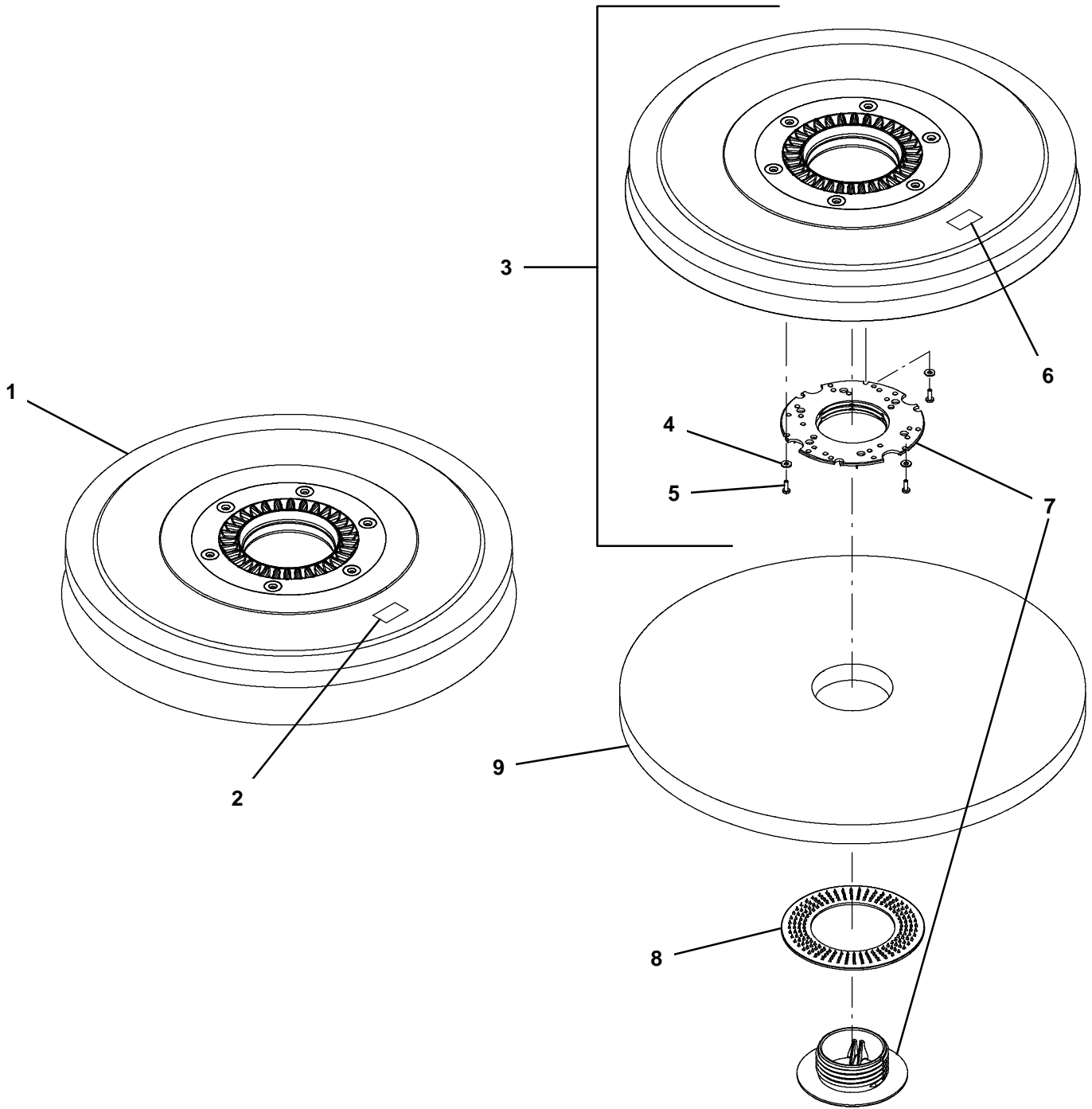
Ref.	Part No.	Serial Number	Description	Qty.
▽	1	1016805	(30000000- 40000000 ) Brush Assy, Disk, Scb, 20.0d, Abr	1
▽	1	1016810	(30000000- 40000000 ) Brush Assy, Disk, Scb, 20.0d, Nyl	1
▽	1	1016811	(30000000- 40000000 ) Brush Assy, Disk, Scb, 20.0d, Pyp	1
▲	2	1013018	(30000000- 40000000 ) Stud, Drive, Brush Pad	3
▲	3	1021316	(30000000- 40000000 ) Screw, Flt, Phl, M6 X 1.00 X 35, Ss	3
▽	4	1212960	(30000000- 40000000 ) Driver Assy, Pad, 50cm, Brush, 3 Lug	1
▲	5	1013018	(30000000- 40000000 ) Stud, Drive, Brush Pad	3
▲	6	1021316	(30000000- 40000000 ) Screw, Flt, Phl, M6 X 1.00 X 35, Ss	3
▲	7	41579	(30000000- 40000000 ) Washer, Flat, 08, Ss	3
▲	8	04403	(30000000- 40000000 ) Screw, Pan, Phl, M4 X 0.70 X 25, NI, Ss	3
▲	9	32506	(30000000- 40000000 ) Device, Centering, Rh Pad Retainer	1
▲	10	32505	(30000000- 40000000 ) Washer, Flat, 92b 156d 2.6l, Pad Driver	1
	11	17260	(30000000- 40000000 ) Pad, Polish, 20.0d, White [1pick=1pad]	1
	11	17261	(30000000- 40000000 ) Pad, Buff, 20.0d, Red [1pick=1pad]	1
	11	17262	(30000000- 40000000 ) Pad, Scb, 20.0d, Blu [1pick=1pad]	1
	11	17263	(30000000- 40000000 ) Pad, Stripping, 20.0d, Brown[1pick=1pad]	1
	11	370094	(30000000- 40000000 ) Pad, Stripping, 20.0d[Hi Prod,1pick=1pad]	1
	11	1051030	(30000000- 40000000 ) Pad, Surf Prep, 20.0d [Mar, 1pick=1pad]	1

▽ ASSEMBLY

▲ INCLUDED IN ASSEMBLY

BRUSHES AND PAD DRIVER GROUP, 50CM DISK MAGNETIC HUB

355339





**BRUSHES AND PAD DRIVER GROUP, 50CM DISK MAGNETIC HUB**

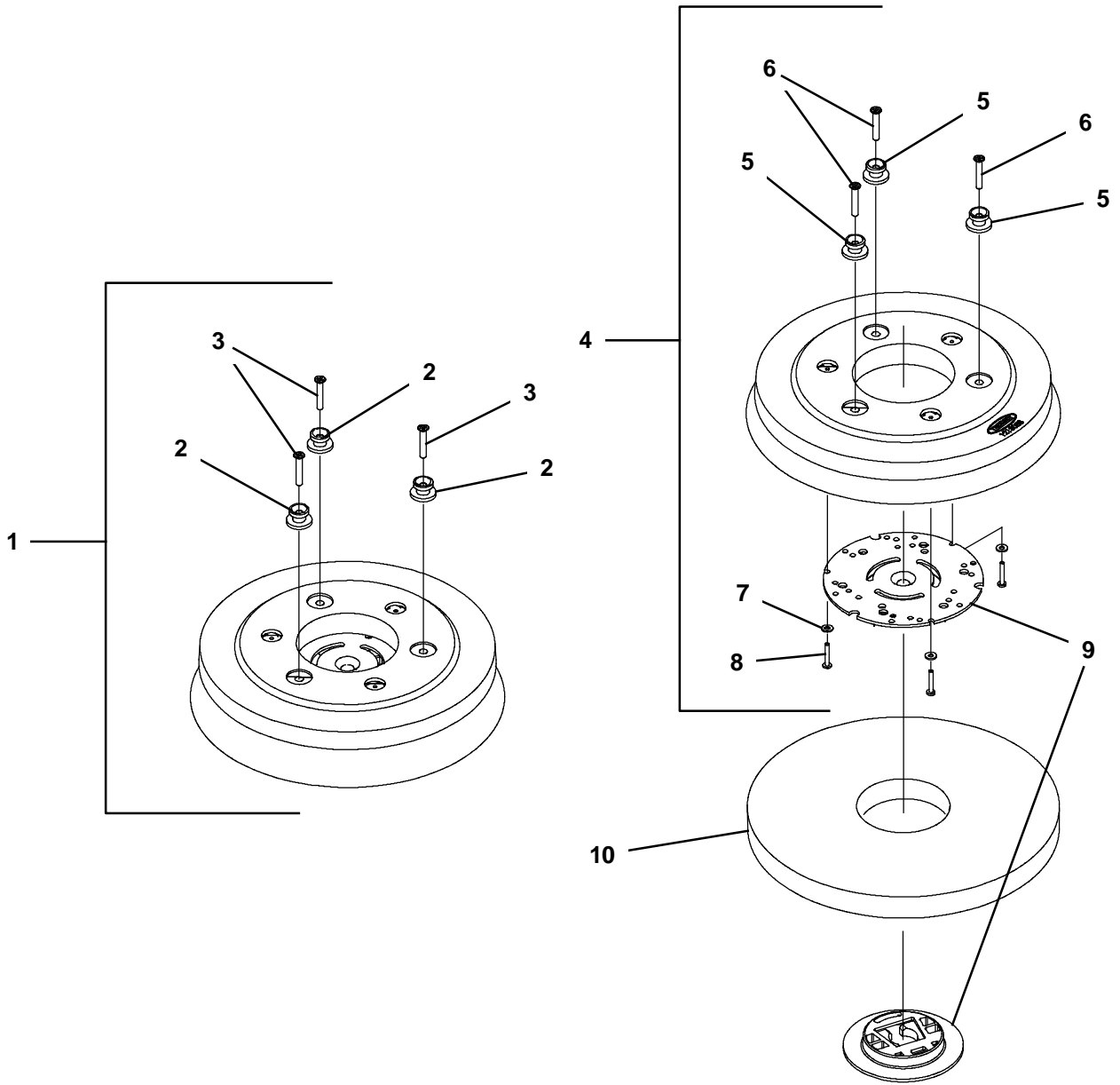
Ref.	Part No.	Serial Number	Description	Qty.
▽	1	1210386	(30000000- 40000000 ) Brush Assy, Disk, Scb, 50cm, Mag, Nyl	1
▽	1	1213032	(30000000- 40000000 ) Brush Assy, Disk, Scb, 50cm, Mag, Pyp	1
▽	1	1213033	(30000000- 40000000 ) Brush Assy, Disk, Scb, 50cm, Mag, Ab	1
▲	2	1218392	(30000000- 40000000 ) Label, Safety, Magnet, Med	1
▽	3	1209197	(30000000- 40000000 ) Driver Assy, Pad, 50cm, Brush, Magnetic	1
▲	4	41579	(30000000- 40000000 ) Washer, Flat, 08, Ss	3
▲	5	1212542	(30000000- 40000000 ) Screw, Pan, Phl, M4 X 0.70 X 12, Nl, Ss	3
▲	6	1218392	(30000000- 40000000 ) Label, Safety, Magnet, Med	1
▲	7	32506	(30000000- 40000000 ) Device, Centering, Rh Pad Retainer	1
▲	8	32505	(30000000- 40000000 ) Washer, Flat, 92b 156d 2.6l, Pad Driver	1
	9	17260	(30000000- 40000000 ) Pad, Polish, 20.0d, White [1pick=1pad]	1
	9	17261	(30000000- 40000000 ) Pad, Buff, 20.0d, Red [1pick=1pad]	1
	9	17262	(30000000- 40000000 ) Pad, Scb, 20.0d, Blu [1pick=1pad]	1
	9	17263	(30000000- 40000000 ) Pad, Stripping, 20.0d, Brown[1pick=1pad]	1
	9	370094	(30000000- 40000000 ) Pad, Stripping, 20.0d[Hi Prod,1pick=1pad]	1
	9	1051030	(30000000- 40000000 ) Pad, Surf Prep, 20.0d [Mar, 1pick=1pad]	1

▽ ASSEMBLY

▲ INCLUDED IN ASSEMBLY

BRUSHES AND PAD DRIVER GROUP, 60CM DUAL DISK 3-LUG HUB

355332



## BRUSHES AND PAD DRIVER GROUP, 60CM DUAL DISK 3-LUG HUB

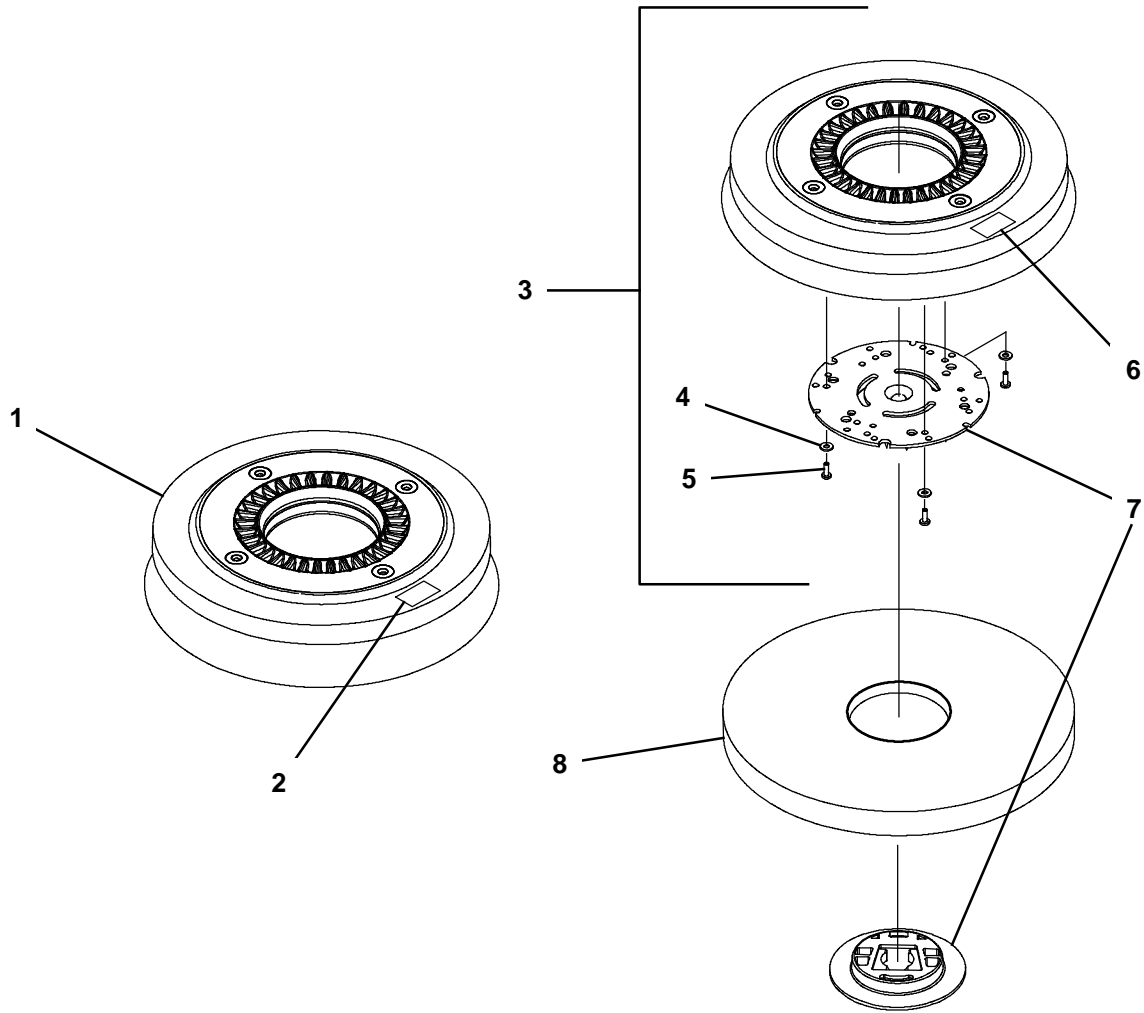
Ref.	Part No.	Serial Number	Description	Qty.
▽	1	1056306	(30000000-40000000 ) Brush Assy, Disk, Scb, 12.0d, 3- Lug, Nyl	2
▽	1	1056313	(30000000-40000000 ) Brush Assy, Disk, Scb, 12.0d, 3- Lug, Pyp	2
▽	1	1063297	(30000000-40000000 ) Brush Assy, Disk, Scb, 12.0d, 3- Lug, Abr	2
▲	2	1055558	(30000000-40000000 ) Mount, Lug, Pad- Driver [T3]	3
▲	3	1021316	(30000000-40000000 ) Screw, Flt, Phl, M6 X 1.00 X 35, Ss	3
▽	4	1213038	(30000000-40000000 ) Driver Assy, Pad, 30cm, Brush, 3 Lug	2
▲	5	1055558	(30000000-40000000 ) Mount, Lug, Pad- Driver [T3]	3
▲	6	1021316	(30000000-40000000 ) Screw, Flt, Phl, M6 X 1.00 X 35, Ss	3
▲	7	41579	(30000000-40000000 ) Washer, Flat, 08, Ss	3
▲	8	04403	(30000000-40000000 ) Screw, Pan, Phl, M4 X 0.70 X 25, Ni, Ss	3
▲	9	370095	(30000000-40000000 ) Device, Centering, Clip On, TI [Gf Pp]	1
	10	385940	(30000000-40000000 ) Pad, Polish, 12.0d, White [1pick=1pad]	2
	10	385941	(30000000-40000000 ) Pad, Buff, 12.0d, Red [1pick=1pad]	2
	10	385942	(30000000-40000000 ) Pad, Scb, 12.0d, Blu [1pick=1pad]	2
	10	385943	(30000000-40000000 ) Pad, Stripping, 12.0d, Brown[1pick=1pad]	2
	10	1063334	(30000000-40000000 ) Pad, Stripping, 12.0d [Hi- Prod] Blk	2
	10	1051020	(30000000-40000000 ) Pad, Surf Prep, 12.0d [Mar, 1pick=1pad]	2

▽ ASSEMBLY

▲ INCLUDED IN ASSEMBLY

BRUSHES AND PAD DRIVER GROUP, 60CM DUAL DISK MAGNETIC HUB

355340



**BRUSHES AND PAD DRIVER GROUP, 60CM DUAL DISK MAGNETIC HUB**

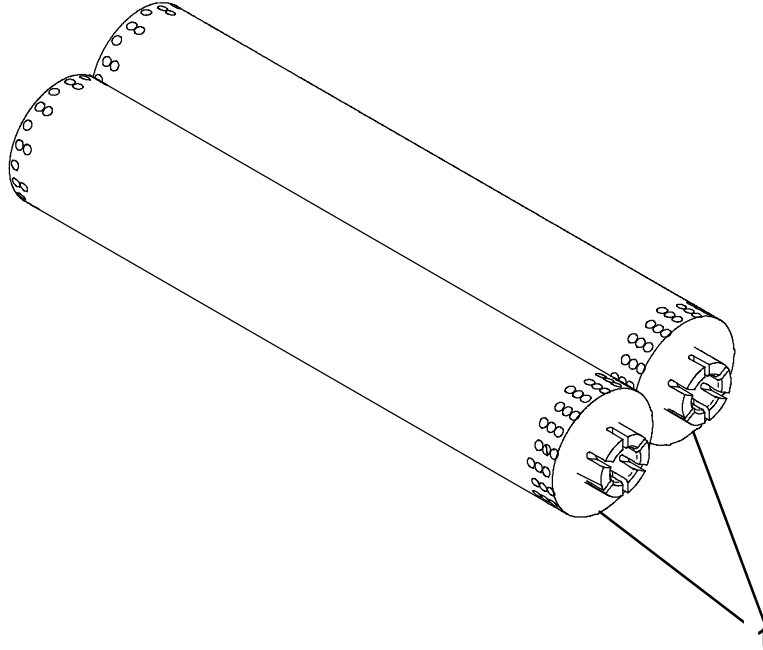
Ref.	Part No.	Serial Number	Description	Qty.
▽	1	1210136	(30000000- 40000000 ) Brush Assy, Disk, Scb, 30cm, Mag, Nyl	2
▽	1	1213040	(30000000- 40000000 ) Brush Assy, Disk, Scb, 30cm, Mag, Pyp	2
▽	1	1213041	(30000000- 40000000 ) Brush Assy, Disk, Scb, 30cm, Mag, Ab	2
▲	2	1218392	(30000000- 40000000 ) Label, Safety, Magnet, Med	1
▽	3	1209160	(30000000- 40000000 ) Driver Assy, Pad, 30cm, [Magnetic]	2
▲	4	41579	(30000000- 40000000 ) Washer, Flat, 08, Ss	3
▲	5	1212542	(30000000- 40000000 ) Screw, Pan, Phl, M4 X 0.70 X 12, NI, Ss	3
▲	6	1218392	(30000000- 40000000 ) Label, Safety, Magnet, Med	1
▲	7	370095	(30000000- 40000000 ) Device, Centering, Clip On, TI [Gf Pp]	1
	8	385940	(30000000- 40000000 ) Pad, Polish, 12.0d, White [1pick=1pad]	2
	8	385941	(30000000- 40000000 ) Pad, Buff, 12.0d, Red [1pick=1pad]	2
	8	385942	(30000000- 40000000 ) Pad, Scb, 12.0d, Blu [1pick=1pad]	2
	8	385943	(30000000- 40000000 ) Pad, Stripping, 12.0d, Brown[1pick=1pad]	2
	8	1063334	(30000000- 40000000 ) Pad, Stripping, 12.0d [Hi- Prod] Blk	2
	8	1051020	(30000000- 40000000 ) Pad, Surf Prep, 12.0d [Mar, 1pick=1pad]	2

▽ ASSEMBLY

▲ INCLUDED IN ASSEMBLY

## BRUSHES GROUP, 50CM CYLINDRICAL

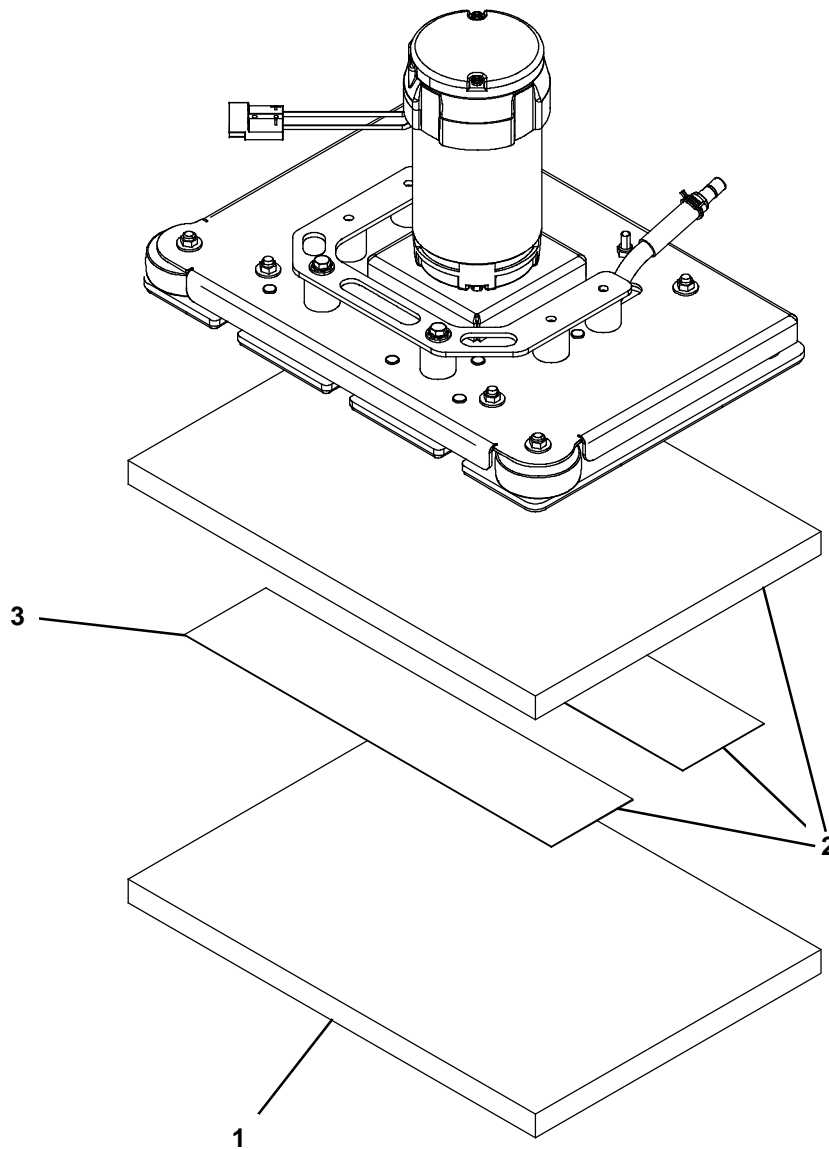
355333



Ref.	Part No.	Serial Number	Description	Qty.
1	1209188	(30000000- 40000000 )	Brush, Scb, 21l, 20sr, Nyl	2
1	1212762	(30000000- 40000000 )	Brush, Scb, 21l, 20sr, Pyp	2

PAD GROUP, 50CM ORBITAL

355334



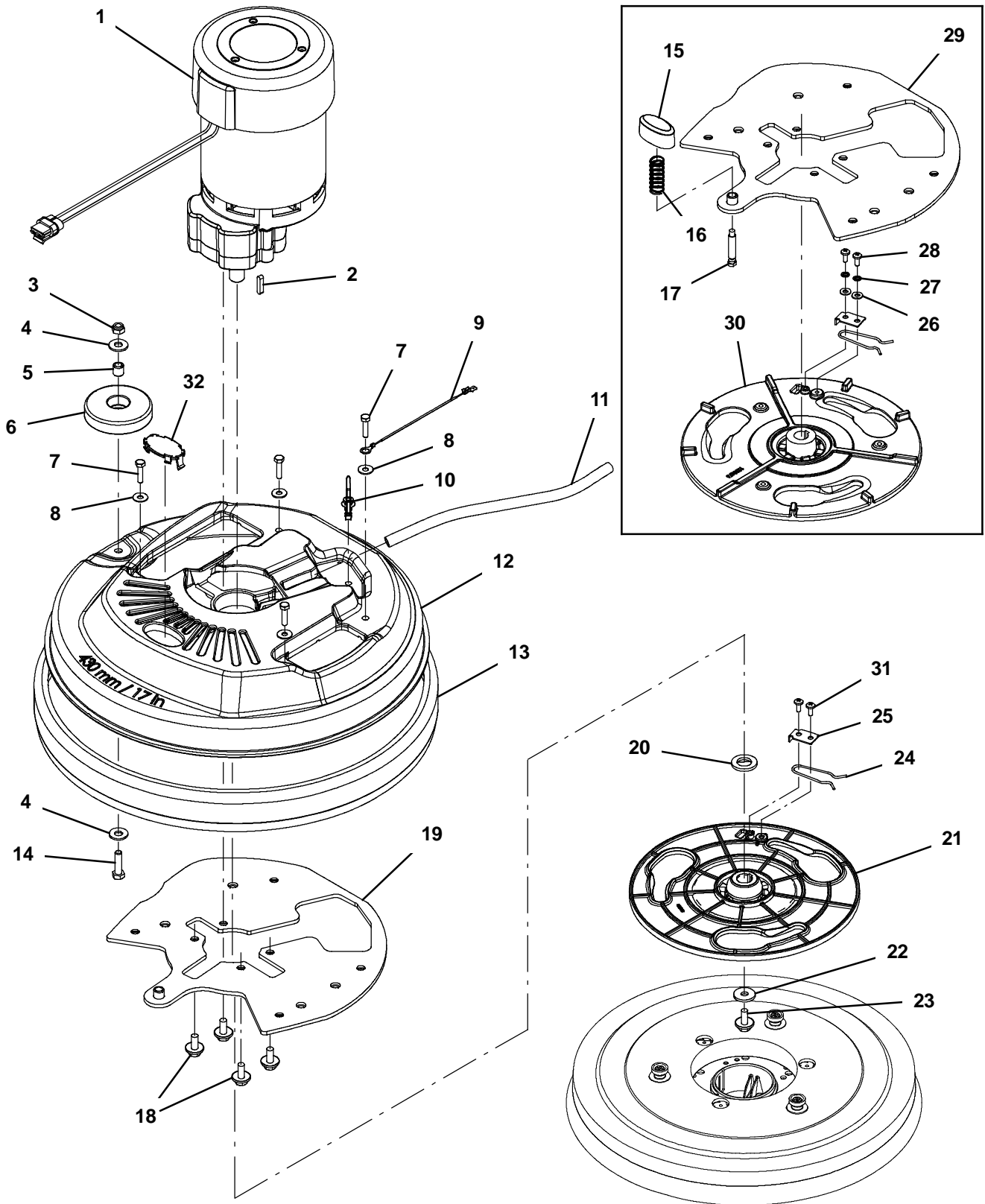
Ref.	Part No.	Serial Number	Description	Qty.
1	1205512	(30000000-40000000 )	Pad, Polish, 20 X 14, White [1pick=1pc]	1
1	1205513	(30000000-40000000 )	Pad, Buff, 20 X 14, Red [1pick=1pc]	1
1	1205514	(30000000-40000000 )	Pad, Scb, 20 X 14, Blu [1pick=1pc]	1
1	1205515	(30000000-40000000 )	Pad, Surf Prep, 20 X 14[Mar, 1pick=1pad]	1
1	1074740	(30000000-40000000 )	Pad, Scb, 14 X 20, Green [1pick=1ctn]	1
▽	2	1217830	(30000000-40000000 ) Pad, Backer, 20 X 14 (Includes Hook & Loop Fastener)	1
▲	3	1217945	(30000000-40000000 ) Fastener, [Hook & Loop], Hook, 4w X 18l	2

▽ ASSEMBLY

▲ INCLUDED IN ASSEMBLY

SCRUB HEAD GROUP, 43CM DISK, 3-LUG HUB

355528





SCRUB HEAD GROUP, 43CM DISK, 3-LUG HUB

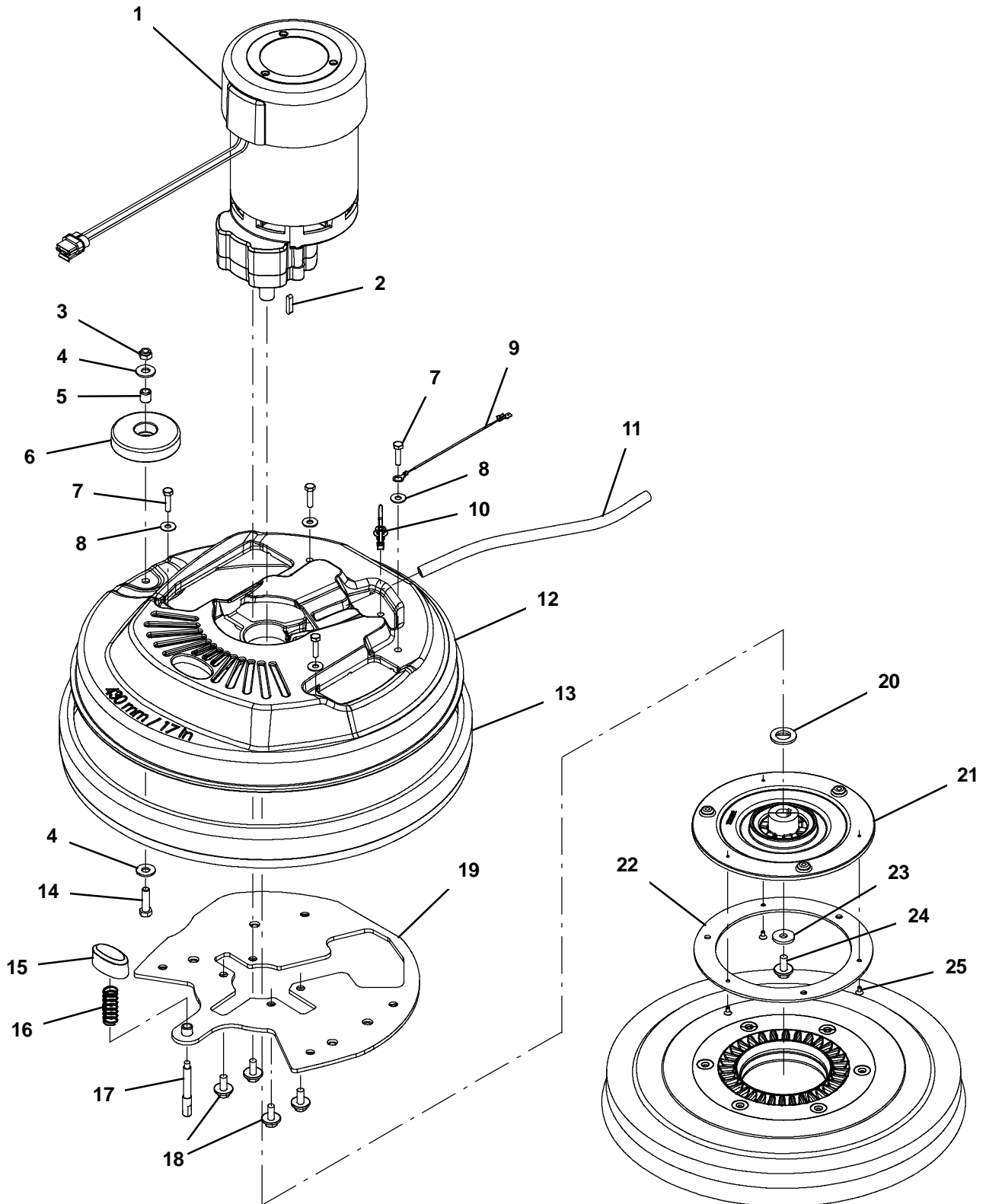
Ref.	Part No.	Serial Number	Description	Qty.
▽	1	1226976	(30062111- 40000000 ) Motor, Ele, 24vdc 0215rpm 650w, 17mm	1
▲		1227273	(30062111- 40000000 ) Vr, Brush Kit, Motor, Ele (4pc)	1
▲	2	1014328	(30000000- 40000000 ) Key, Sq, 05mm X 05mm, 25mm	1
▽	1	1210703	(30000000- 30062110 ) Motor, Ele, 24vdc 0200rpm 1.00hp, 17mm (Replaced By 9015159)	1
▲		1045790	(30000000- 30062110 ) Brush Kit, Replmt,Carbon 24vdc[1pk=1set](4Pc) (For Sanrong Motor - Frame #56S)	1
▲	2	1014328	(30000000- 40000000 ) Key, Sq, 05mm X 05mm, 25mm	1
	3	08713	(30000000- 40000000 ) Nut, Hex, Lock, M8 X 1.25, NI, Ss	1
	4	01685	(30000000- 40000000 ) Washer, Flat, 0.38b 0.88d .08, Ss	2
	5	222460	(30000000- 40000000 ) Sleeve, P/M, 0.32b 0.50d 0.5l [430ss]	1
	6	1010560	(30000000- 40000000 ) Wheel, Bmpr, 80d X 25w, Non- Marking	1
	7	1016005	(30000000- 40000000 ) Screw, Hex, M6 X 1.00 X 25, NI, FI, Ss	4
	8	01684	(30000000- 40000000 ) Washer, Flat, 0.27b 0.69d .05, Ss	4
	9	1074344	(30000000- 40000000 ) Harness, Ele [Ring With .250m Tail]	1
	10	1210807	(30000000- 40000000 ) Wire, Tie [W/.25" Fir Tree Clip]	1
	11	9014145	(30000000- 40000000 ) Hose, Afmkt, Pe, .375id .50od, 05ft	1
	12	1212324	(30000000- 40000000 ) Housing, Head, 43cm	1
	13	1055019	(30000000- 40000000 ) Bumper, Head, 43cm, W/ Bristle Skirt, Im	1
	14	1016399	(30000000- 40000000 ) Screw, Hex, M8 X 1.25 X 30, NI, Ss	1
	15	1211242	(30000000- 30059352 ) Button, Plunger, Pad	1
	16	1212785	(30000000- 30059352 ) Spring, Cmpr, .66od, .05wir, 1.75l, Ss	1
	17	1211907	(30000000- 30059352 ) Pin, Stop, Short	1
	18	1020341	(30000000- 40000000 ) Screw, Hex, M8 X 1.25 X 20, Ss, Sems	4
	19	1223980	(30062215- 40000000 ) Plate Wldt, Head, Weighted	1
	20	1022549	(30000000- 40000000 ) Spacer, Shaft, 17.15b 30.0d 3.0l, Ss	1
	21	1219855	(30059353- 40000000 ) Hub, Drive, 3lug, Alm- Nyl, 17mm[T2,T300]	1
	22	1017218	(30000000- 40000000 ) Washer, Flat, 0.32b 1.00d .12, Ss	1
	23	1020341	(30000000- 40000000 ) Screw, Hex, M8 X 1.25 X 20, Ss, Sems	1
	24	1013188	(30000000- 40000000 ) Clip, Spring, Drive Hub, Release [T3]	1
	25	1011201	(30000000- 40000000 ) Plate, Drive Hub, Release Clip [T3]	1
	26	01683	(30000000- 40000000 ) Washer, Flat, 10, Ss	2
	27	07514	(30000000- 40000000 ) Washer, Lock, Int, 10, Ss	2
	28	09200	(30000000- 40000000 ) Screw, Pan, Phl, M5 X 0.80 X 12, Ss	2
	29	1210590	(30000000- 30062214 ) Plate Wldt, Head, Weighted (Replaced By 9014801)	1
	30	1210676	(30000000- 30059352 ) Hub, Drive, 3 Lug [Machined] (Replaced By 9014623)	1
	31	140197	(30059353- 40000000 ) Screw, Trs, Phl, 10- 24 X 0.38, Sems, Ss	2
	32	1221972	(30059353- 40000000 ) Plug, Hole, Oval, Head, Hsng, Abs [T300]	1

▽ ASSEMBLY

▲ INCLUDED IN ASSEMBLY

SCRUB HEAD GROUP, 43CM DISK, MAGNETIC HUB

355294



**SCRUB HEAD GROUP, 43CM DISK, MAGNETIC HUB**

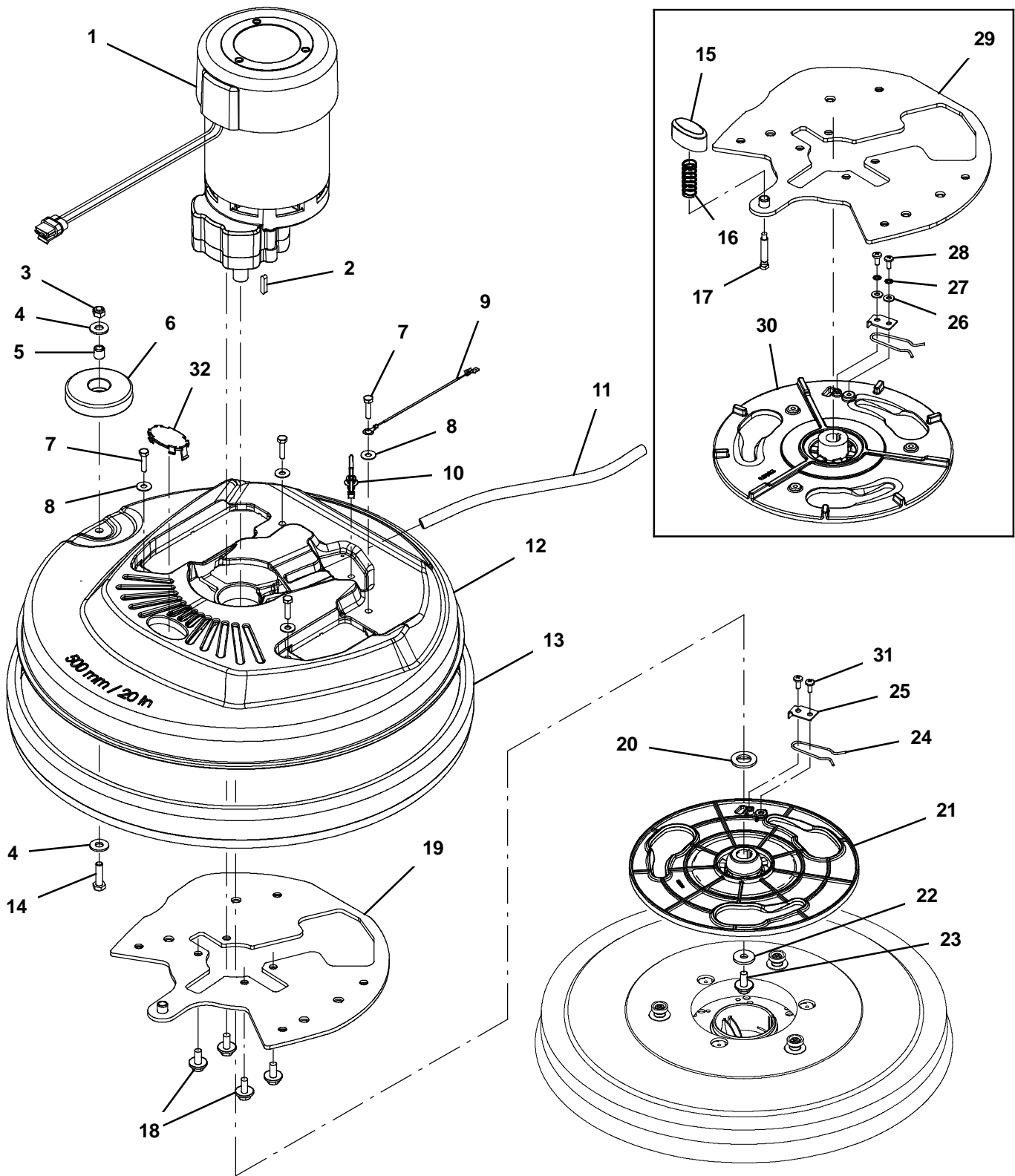
Ref.	Part No.	Serial Number	Description	Qty.
▽	1	1226976	(30062111- 40000000 ) Motor, Ele, 24vdc 0215rpm 650w, 17mm	1
▲		1227273	(30062111- 40000000 ) Vr, Brush Kit, Motor, Ele (4pc)	1
▲	2	1014328	(30000000- 40000000 ) Key, Sq, 05mm X 05mm, 25mm	1
▽	1	1210703	(30000000- 30062110 ) Motor, Ele, 24vdc 0200rpm 1.00hp, 17mm (Replaced By 9015159)	1
▲		1045790	(30000000- 30062110 ) Brush Kit, Replmt,Carbon 24vdc[1pk=1set](4Pc) (For Sanrong Motor - Frame #56S)	1
▲	2	1014328	(30000000- 40000000 ) Key, Sq, 05mm X 05mm, 25mm	1
	3	08713	(30000000- 40000000 ) Nut, Hex, Lock, M8 X 1.25, NI, Ss	1
	4	01685	(30000000- 40000000 ) Washer, Flat, 0.38b 0.88d .08, Ss	2
	5	222460	(30000000- 40000000 ) Sleeve, P/M, 0.32b 0.50d 0.5l [430ss]	1
	6	1010560	(30000000- 40000000 ) Wheel, Bmpr, 80d X 25w, Non- Marking	1
	7	1016005	(30000000- 40000000 ) Screw, Hex, M6 X 1.00 X 25, NI, FI, Ss	4
	8	01684	(30000000- 40000000 ) Washer, Flat, 0.27b 0.69d .05, Ss	4
	9	1074344	(30000000- 40000000 ) Harness, Ele [Ring With .250m Tail]	1
	10	1210807	(30000000- 40000000 ) Wire, Tie [W/.25" Fir Tree Clip]	1
	11	9014145	(30000000- 40000000 ) Hose, Afmkt, Pe, .375id .50od, 05ft	1
	12	1212324	(30000000- 40000000 ) Housing, Head, 43cm	1
	13	1055019	(30000000- 40000000 ) Bumper, Head, 43cm, W/ Bristle Skirt, Im	1
	14	1016399	(30000000- 40000000 ) Screw, Hex, M8 X 1.25 X 30, NI, Ss	1
	15	1211242	(30000000- 40000000 ) Button, Plunger, Pad	1
	16	1212785	(30000000- 40000000 ) Spring, Cmpr, .66od, .05wir, 1.75l, Ss	1
	17	1211256	(30000000- 40000000 ) Pin, Stop, Long	1
	18	1020341	(30000000- 40000000 ) Screw, Hex, M8 X 1.25 X 20, Ss, Sems	4
	19	1223980	(30062215- 40000000 ) Plate Wldt, Head, Weighted	1
	19	1210590	(30000000- 30062214 ) Plate Wldt, Head, Weighted (Replaced By Kit 9014801)	1
	20	1022549	(30000000- 40000000 ) Spacer, Shaft, 17.15b 30.0d 3.0l, Ss	1
	21	1212312	(30000000- 40000000 ) Hub, Drive, Magnetic [Machined]	1
	22	1205043	(30000000- 40000000 ) Ring, Hub, Magnetic	1
	23	1017218	(30000000- 40000000 ) Washer, Flat, 0.32b 1.00d .12, Ss	1
	24	1020341	(30000000- 40000000 ) Screw, Hex, M8 X 1.25 X 20, Ss, Sems	1
	25	630114	(30000000- 40000000 ) Screw, Flt, Phl, M4 X 0.70 X 8, 4.8	3

▽ ASSEMBLY

▲ INCLUDED IN ASSEMBLY

SCRUB HEAD GROUP, 50CM DISK, 3-LUG HUB

355529



SCRUB HEAD GROUP, 50CM DISK, 3-LUG HUB

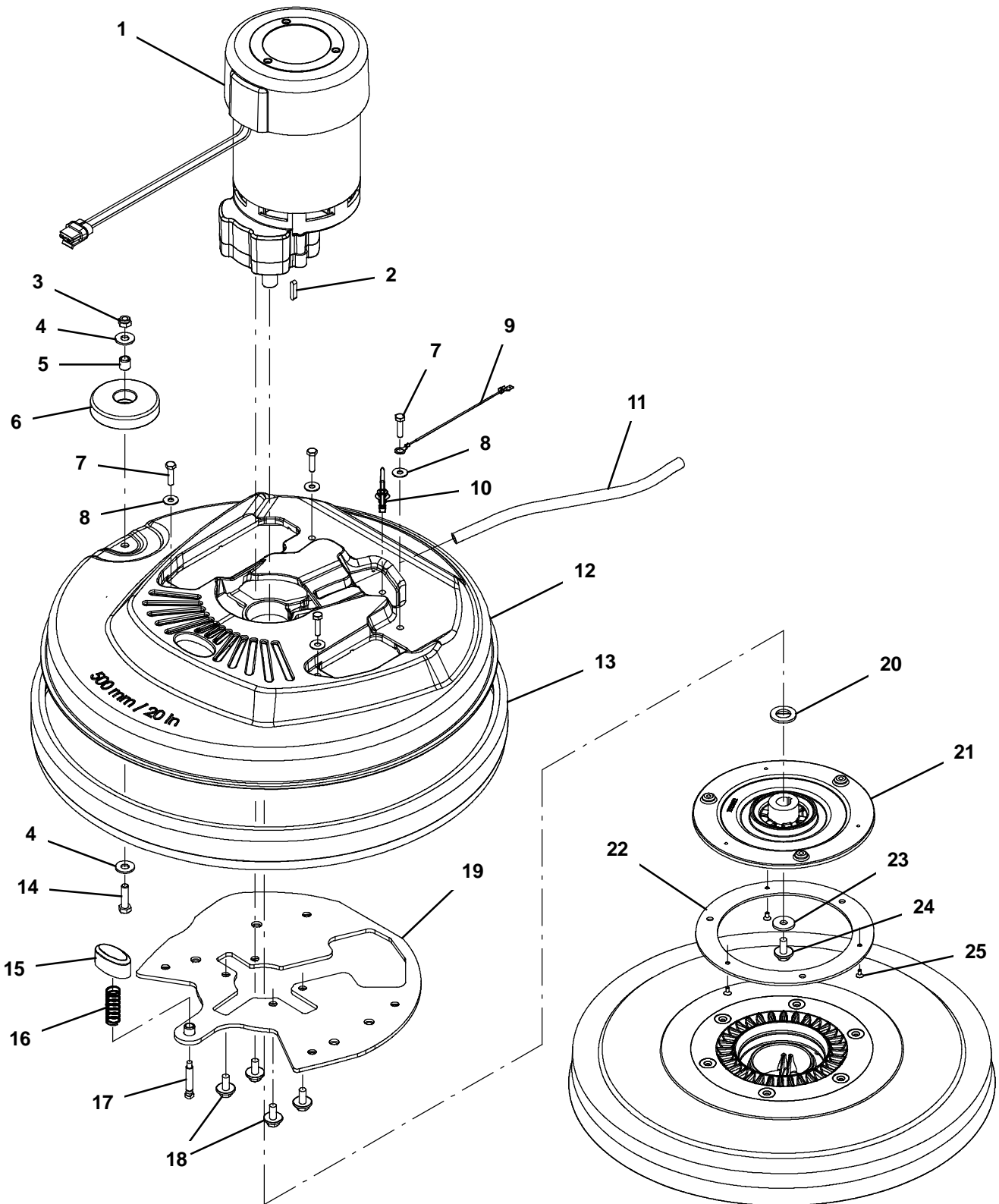
Ref.	Part No.	Serial Number	Description	Qty.
▽	1	1226976	(30062111- 40000000 ) Motor, Ele, 24vdc 0215rpm 650w, 17mm (T300 & T300e Models)	1
▲		1227273	(30062111- 40000000 ) Vr, Brush Kit, Motor, Ele (4pc)	1
▲	2	1014328	(30000000- 40000000 ) Key, Sq, 05mm X 05mm, 25mm	1
▽	1	1210703	(30000000- 30062110 ) Motor, Ele, 24vdc 0200rpm 1.00hp, 17mm (T300 & T300e Models) (Replaced By 9015159)	1
▲		1045790	(30000000- 30062110 ) Brush Kit, Replmt,Carbon 24vdc[1pk=1set](4Pc) (For Sanrong Motor - Frame #56S)	1
▲	2	1014328	(30000000- 40000000 ) Key, Sq, 05mm X 05mm, 25mm	1
▽	1	1228117	(30066322- 40000000 ) Motor, Ele, 24vdc 150rpm 0.68hp, 17mm (T300e Model Only)	1
▲		1045790	(30000000- 40000000 ) Vr, Brush Kit, Motor, Ele (4pc)	1
▲	2	1014328	(30000000- 40000000 ) Key, Sq, 05mm X 05mm, 25mm	1
▽	1	1222495	(30000000- 30066321 ) Motor, Ele, 24vdc 150rpm 0.68hp, 17mm (T300e Model Only) (Replaced By 9015198)	1
▲		1045790	(30000000- 40000000 ) Brush Kit, Replmt,Carbon 24vdc[1pk=1set](4Pc) (For Sanrong Motor - Frame #56S)	1
▲	2	1014328	(30000000- 40000000 ) Key, Sq, 05mm X 05mm, 25mm	1
	3	08713	(30000000- 40000000 ) Nut, Hex, Lock, M8 X 1.25, NI, Ss	1
	4	01685	(30000000- 40000000 ) Washer, Flat, 0.38b 0.88d .08, Ss	2
	5	222460	(30000000- 40000000 ) Sleeve, P/M, 0.32b 0.50d 0.5l [430ss]	1
	6	1010560	(30000000- 40000000 ) Wheel, Bmpr, 80d X 25w, Non- Marking	1
	7	1016005	(30000000- 40000000 ) Screw, Hex, M6 X 1.00 X 25, NI, FI, Ss	4
	8	01684	(30000000- 40000000 ) Washer, Flat, 0.27b 0.69d .05, Ss	4
	9	1074344	(30000000- 40000000 ) Harness, Ele [Ring With .250m Tail]	1
	10	1210807	(30000000- 40000000 ) Wire, Tie [W/.25" Fir Tree Clip]	1
	11	9014145	(30000000- 40000000 ) Hose, Afmkt, Pe, .375id .50od, 05ft	1
	12	1208041	(30000000- 40000000 ) Housing, Head, 50cm	1
	13	1055025	(30000000- 40000000 ) Bumper, Head, 50cm, W/ Bristle Skirt, Im	1
	14	1016399	(30000000- 40000000 ) Screw, Hex, M8 X 1.25 X 30, NI, Ss	1
	15	1211242	(30000000- 30059352 ) Button, Plunger, Pad	1
	16	1212785	(30000000- 30059352 ) Spring, Cmpr, .66od, .05wir, 1.75l, Ss	1
	17	1211907	(30000000- 30059352 ) Pin, Stop, Short	1
	18	1020341	(30000000- 40000000 ) Screw, Hex, M8 X 1.25 X 20, Ss, Sems	4
	19	1223980	(30062215- 40000000 ) Plate Wldt, Head, Weighted	1
	20	1022549	(30000000- 40000000 ) Spacer, Shaft, 17.15b 30.0d 3.0l, Ss	1
	21	1219855	(30059353- 40000000 ) Hub, Drive, 3lug, Alm- Nyl, 17mm[T2,T300]	1
	22	1017218	(30000000- 40000000 ) Washer, Flat, 0.32b 1.00d .12, Ss	1
	23	1020341	(30000000- 40000000 ) Screw, Hex, M8 X 1.25 X 20, Ss, Sems	1
	24	1013188	(30000000- 40000000 ) Clip, Spring, Drive Hub, Release [T3]	1
	25	1011201	(30000000- 40000000 ) Plate, Drive Hub, Release Clip [T3]	1
	26	01683	(30000000- 40000000 ) Washer, Flat, 10, Ss	2
	27	07514	(30000000- 40000000 ) Washer, Lock, Int, 10, Ss	2
	28	09200	(30000000- 40000000 ) Screw, Pan, Phl, M5 X 0.80 X 12, Ss	2
	29	1210590	(30000000- 30062214 ) Plate Wldt, Head, Weighted (Replaced By Kit 9014801)	1
	30	1210676	(30000000- 30059352 ) Hub, Drive, 3 Lug [Machined] (Replaced By Kit 9014623)	1
	31	140197	(30059353- 40000000 ) Screw, Trs, Phl, 10- 24 X 0.38, Sems, Ss	2
	32	1221972	(30059353- 40000000 ) Plug, Hole, Oval, Head, Hsng, Abs [T300]	1

▽ ASSEMBLY

▲ INCLUDED IN ASSEMBLY

SCRUB HEAD GROUP, 50CM DISK, MAGNETIC HUB

355295



**SCRUB HEAD GROUP, 50CM DISK, MAGNETIC HUB**

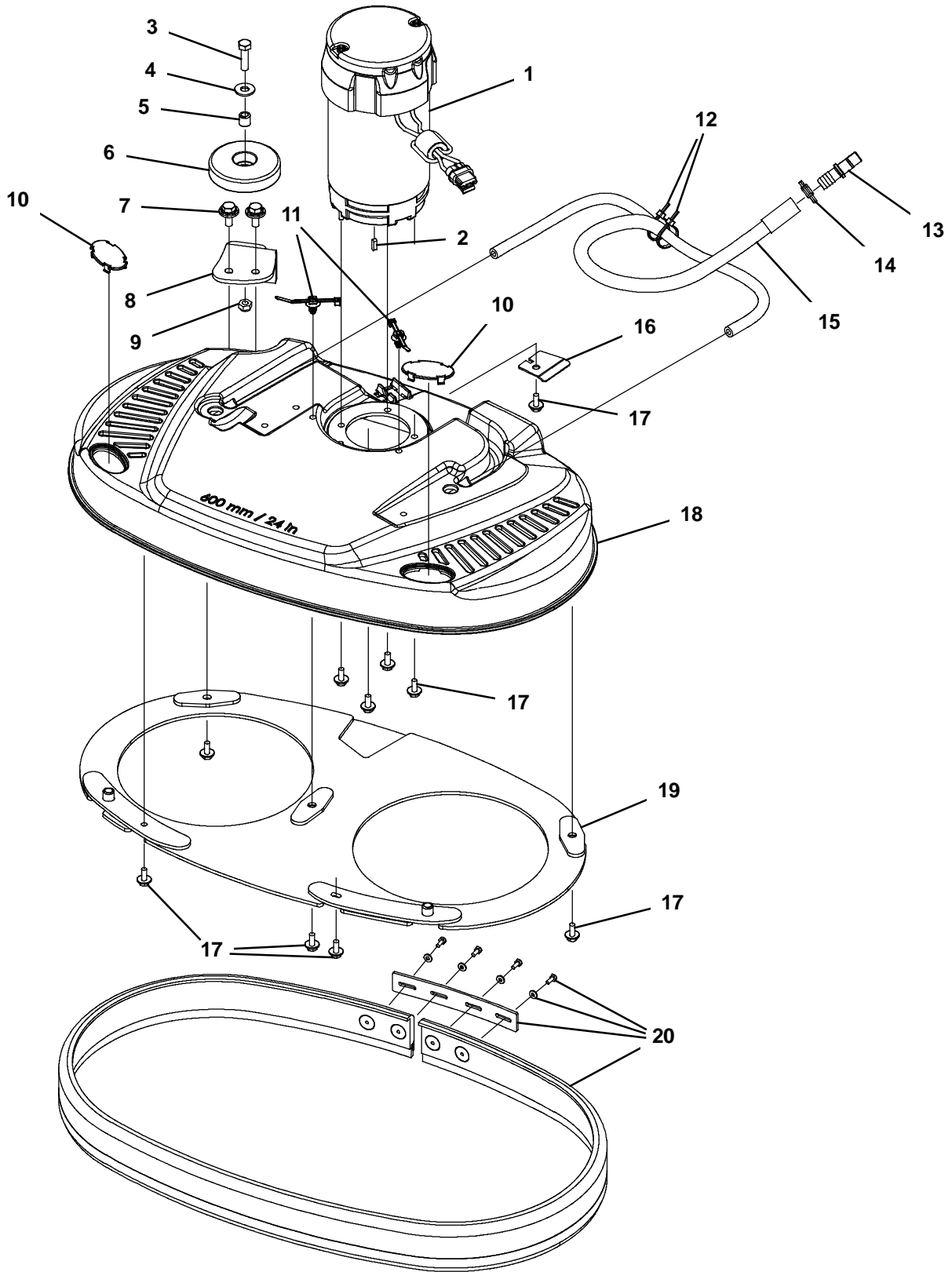
Ref.	Part No.	Serial Number	Description	Qty.
▽	1	1226976	(30062111- 40000000 ) Motor, Ele, 24vdc 0215rpm 650w, 17mm (T300 & T300e Models)	1
▲		1227273	(30062111- 40000000 ) Vr, Brush Kit, Motor, Ele (4pc)	1
▲	2	1014328	(30000000- 40000000 ) Key, Sq, 05mm X 05mm, 25mm	1
▽	1	1210703	(30000000- 30062110 ) Motor, Ele, 24vdc 0200rpm 1.00hp, 17mm (T300 & T300e Models) (Replaced By 9015159)	1
▲		1045790	(30000000- 30062110 ) Brush Kit, Replmt,Carbon 24vdc[1pk=1set](4Pc) (For Sanrong Motor - Frame #56S)	1
▲	2	1014328	(30000000- 40000000 ) Key, Sq, 05mm X 05mm, 25mm	1
▽	1	1228117	(30066322- 40000000 ) Motor, Ele, 24vdc 150rpm 0.68hp, 17mm (T300e Model Only)	1
▲		1045790	(30000000- 40000000 ) Vr, Brush Kit, Motor, Ele (4pc)	1
▲	2	1014328	(30000000- 40000000 ) Key, Sq, 05mm X 05mm, 25mm	1
▽	1	1222495	(30000000- 30066321 ) Motor, Ele, 24vdc 150rpm 0.68hp, 17mm (T300e Model Only) (Replaced By 9015198)	1
▲		1045790	(30000000- 40000000 ) Brush Kit, Replmt,Carbon 24vdc[1pk=1set](4Pc) (For Sanrong Motor - Frame #56S)	1
▲	2	1014328	(30000000- 40000000 ) Key, Sq, 05mm X 05mm, 25mm	1
	3	08713	(30000000- 40000000 ) Nut, Hex, Lock, M8 X 1.25, NI, Ss	1
	4	01685	(30000000- 40000000 ) Washer, Flat, 0.38b 0.88d .08, Ss	2
	5	222460	(30000000- 40000000 ) Sleeve, P/M, 0.32b 0.50d 0.5l [430ss]	1
	6	1010560	(30000000- 40000000 ) Wheel, Bmpr, 80d X 25w, Non- Marking	1
	7	1016005	(30000000- 40000000 ) Screw, Hex, M6 X 1.00 X 25, NI, FI, Ss	4
	8	01684	(30000000- 40000000 ) Washer, Flat, 0.27b 0.69d .05, Ss	4
	9	1074344	(30000000- 40000000 ) Harness, Ele [Ring With .250m Tail]	1
	10	1210807	(30000000- 40000000 ) Wire, Tie [W/.25" Fir Tree Clip]	1
	11	9014145	(30000000- 40000000 ) Hose, Afmkt, Pe, .375id .50od, 05ft	1
	12	1208041	(30000000- 40000000 ) Housing, Head, 50cm	1
	13	1055025	(30000000- 40000000 ) Bumper, Head, 50cm, W/ Bristle Skirt, Im	1
	14	1016399	(30000000- 40000000 ) Screw, Hex, M8 X 1.25 X 30, NI, Ss	1
	15	1211242	(30000000- 40000000 ) Button, Plunger, Pad	1
	16	1212785	(30000000- 40000000 ) Spring, Cmpr, .66od, .05wir, 1.75l, Ss	1
	17	1211256	(30000000- 40000000 ) Pin, Stop, Long	1
	18	1020341	(30000000- 40000000 ) Screw, Hex, M8 X 1.25 X 20, Ss, Sems	4
	19	1223980	(30062215- 20000000 ) Plate Wldt, Head, Weighted	1
	19	1210590	(30000000- 30062214 ) Plate Wldt, Head, Weighted (Replaced By 9014801)	1
	20	1022549	(30000000- 40000000 ) Spacer, Shaft, 17.15b 30.0d 3.0l, Ss	1
	21	1212312	(30000000- 40000000 ) Hub, Drive, Magnetic [Machined]	1
	22	1205043	(30000000- 40000000 ) Ring, Hub, Magnetic	1
	23	1017218	(30000000- 40000000 ) Washer, Flat, 0.32b 1.00d .12, Ss	1
	24	1020341	(30000000- 40000000 ) Screw, Hex, M8 X 1.25 X 20, Ss, Sems	1
	25	630114	(30000000- 40000000 ) Screw, Flt, Phi, M4 X 0.70 X 8, 4.8	3

▽ ASSEMBLY

▲ INCLUDED IN ASSEMBLY

SCRUB HEAD GROUP, 60CM DUAL DISK, 3-LUG HUB

355292





SCRUB HEAD GROUP, 60CM DUAL DISK, 3-LUG HUB

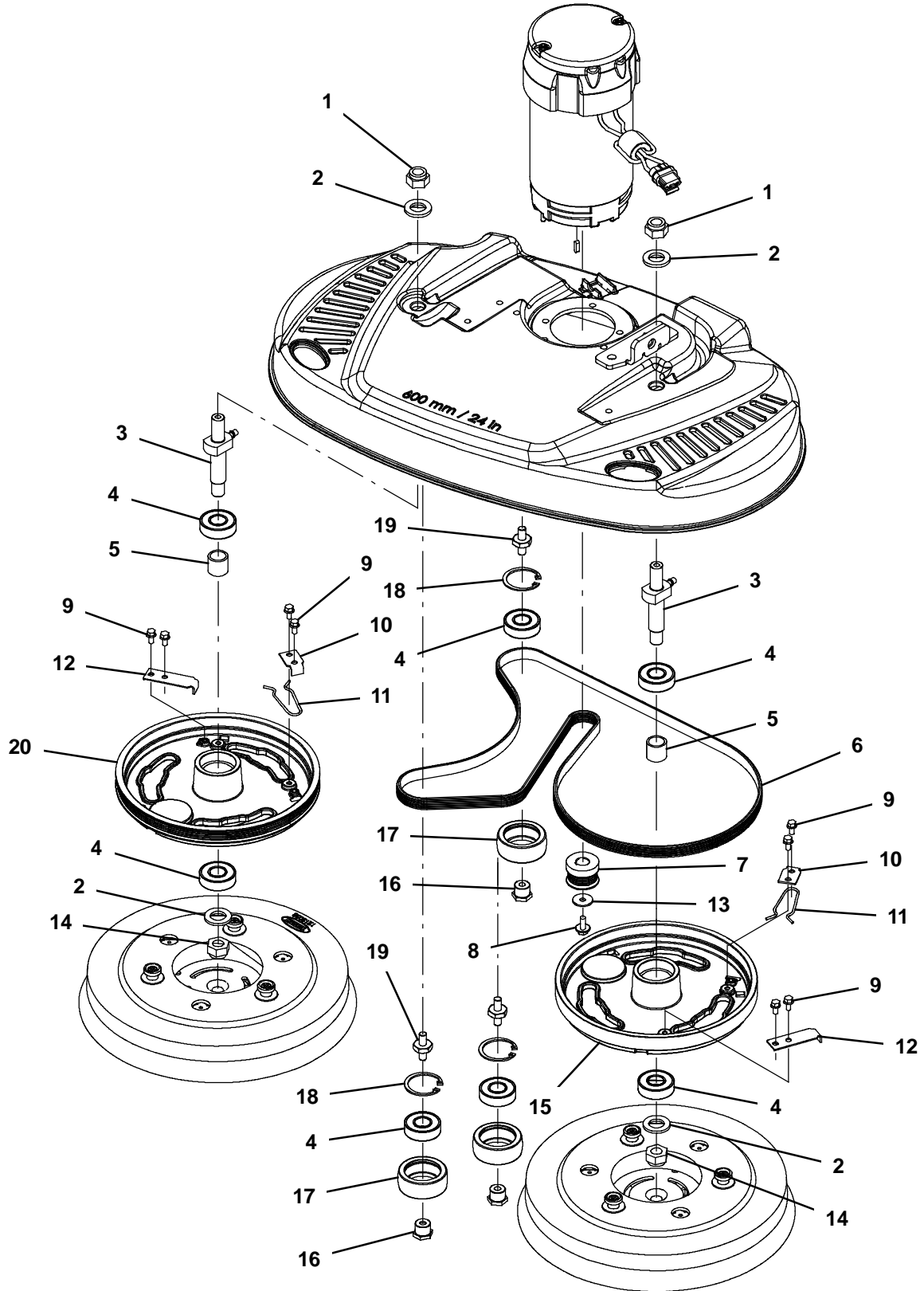
Ref.	Part No.	Serial Number	Description	Qty.
▽	1	1227280	(30066322- 40000000 ) Motor, 24vdc, 2000rpm, 7/8hp	1
▲		1059370	(30000000- 40000000 ) Brush, Motor, Replmt [Bag Of 4]	1
▲	2	1217769	(30000000- 40000000 ) Key, Sq, 04mm X 04mm, 15mml	1
▽	1	1210212	(30000000- 30066321 ) Motor, 24vdc, 2000rpm, 7/8hp, Us (Replaced By 9015160)	1
▲		1059370	(30000000- 40000000 ) Brush, Motor, Replmt [Bag Of 4]	1
▲	2	1217769	(30000000- 40000000 ) Key, Sq, 04mm X 04mm, 15mml	1
	3	09011	(30000000- 40000000 ) Screw, Hex, M8 X 1.25 X 30, Ss	1
	4	01685	(30000000- 40000000 ) Washer, Flat, 0.38b 0.88d .08, Ss	1
	5	222460	(30000000- 40000000 ) Sleeve, P/M, 0.32b 0.50d 0.5l [430ss]	1
	6	1010560	(30000000- 40000000 ) Wheel, Bmpr, 80d X 25w, Non- Marking	1
	7	1020341	(30000000- 40000000 ) Screw, Hex, M8 X 1.25 X 20, Ss, Sems	2
	8	1211506	(30000000- 40000000 ) Bracket, Rlr, Wall, Scb Head	1
	9	08713	(30000000- 40000000 ) Nut, Hex, Lock, M8 X 1.25, NI, Ss	1
	10	1221972	(30000000- 40000000 ) Plug, Hole, Oval, Head, Hsng, Abs [T300]	2
	11	1210807	(30000000- 40000000 ) Wire, Tie [W/.25" Fir Tree Clip]	2
	12	130773	(30000000- 40000000 ) Tie, Cable, Nyl, 11.0l, .14w, 3.0 Max. D	2
	13	1212807	(30000000- 40000000 ) Fitting, Plstc, Str, Qm08/Bm08	1
	14	607776	(30000000- 40000000 ) Clamp, Hose, Wir, .73 - .77, Silver	1
	15	1216084	(30000000- 40000000 ) Manifold, Distribution, Water, 60dd [Vw]	1
	16	1217752	(30000000- 40000000 ) Bracket, Belt Guide	1
	17	1034731	(30000000- 40000000 ) Screw, Hex, M6 X 1.00 X 16, Sems, Ss	10
	18	1211027	(30000000- 40000000 ) Housing, Head, 60cm [Machined]	1
	19	1216346	(30000000- 40000000 ) Bracket Wldt, Guard, Splash, 60cm	1
	20	1072656	(30000000- 40000000 ) Bumper, Head, 60cm, Bristle Skirt	1

▽ ASSEMBLY

▲ INCLUDED IN ASSEMBLY

SCRUB HEAD GROUP, 60CM DUAL DISK, 3-LUG HUB - CONT'D

355335

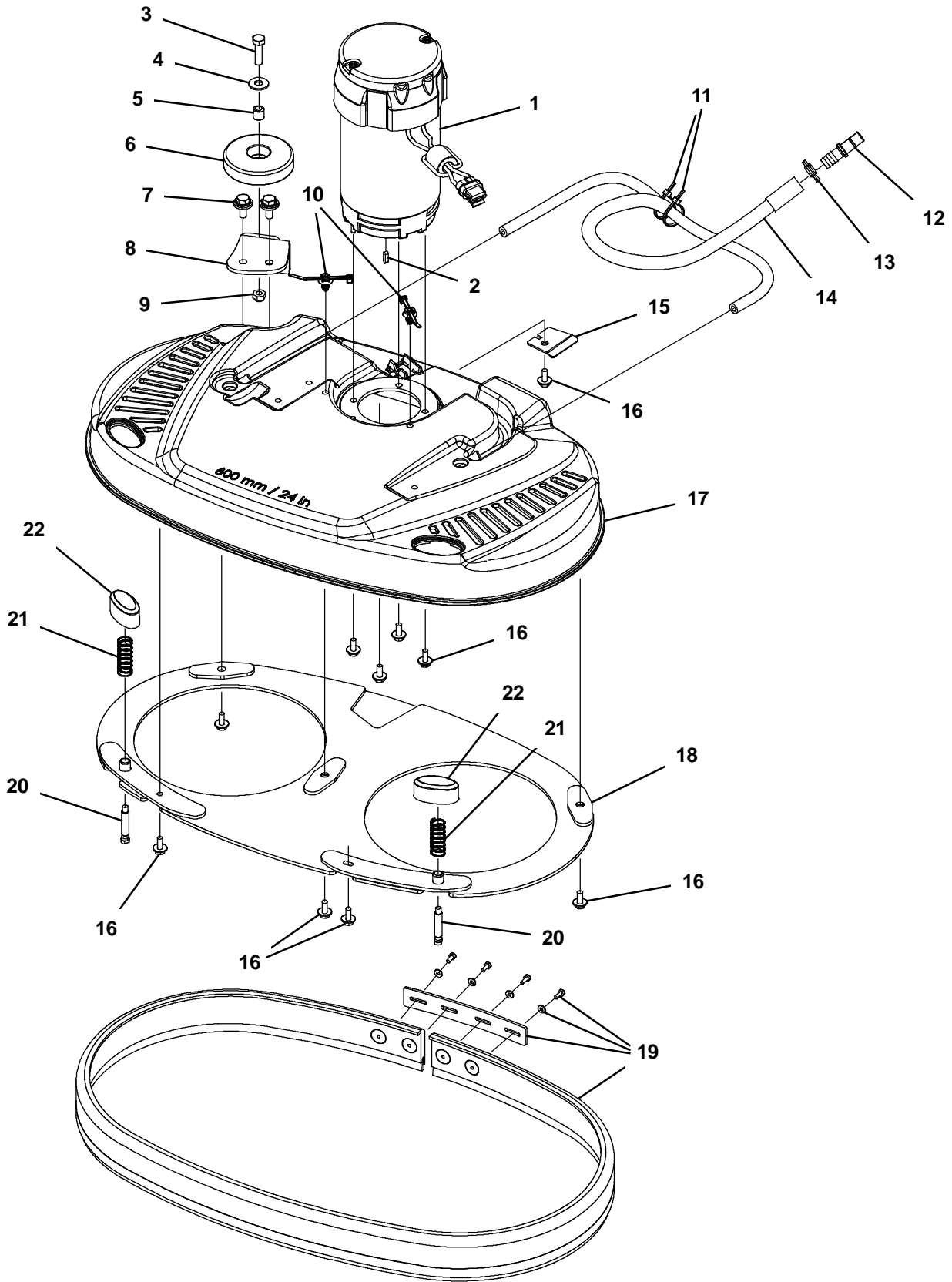


## SCRUB HEAD GROUP, 60CM DUAL DISK, 3-LUG HUB - CONT'D

Ref.	Part No.	Serial Number	Description	Qty.
1	41517	(30000000- 40000000 )	Nut, Hex, Lock, M14 X 2.00, NI	2
2	1022549	(30000000- 40000000 )	Spacer, Shaft, 17.15b 30.0d 3.0l, Ss	4
3	1214206	(30000000- 40000000 )	Shaft Wldt, Mtg, Pulley	2
4	1211187	(30000000- 40000000 )	Bearing, Ball, 0.67b 1.57d 0.47w [6203]	7
5	1011041	(30000000- 40000000 )	Tube, 0.69id 0.87od 00.8l, Stl, Pl	2
6	1055305	(30000000- 40000000 )	Belt, Drive, 6pj, Ej139 [T3]	1
7	1213927	(30000000- 40000000 )	Sheave, 06grv, 1.25pd 0.54b, Ss [Keyed]	1
8	1034731	(30000000- 40000000 )	Screw, Hex, M6 X 1.00 X 16, Sems, Ss	1
9	223198	(30000000- 40000000 )	Screw, Hex, M5 X 0.80 X 10, Fmg	8
10	1011201	(30000000- 40000000 )	Plate, Drive Hub, Release Clip [T3]	2
11	1013188	(30000000- 40000000 )	Clip, Spring, Drive Hub, Release [T3]	2
12	1013592	(30000000- 40000000 )	Plate, Drive Hub, Release Stop [T3 Dd]	2
13	019680127	(30000000- 40000000 )	Washer, Flat, 6.2mm Id X 22.0mm Od X 1.9	1
14	41517	(30000000- 40000000 )	Nut, Hex, Lock, M14 X 2.00, NI	2
15	1059205	(30000000- 40000000 )	Hub, Drive, 3lug, Alm, 2disk, Flt	1
16	1011008	(30000000- 40000000 )	Spacer, Brg, Idler	3
17	1058514	(30000000- 40000000 )	Pulley, Idler, 55d X 21w[60cm Dual Disk]	3
18	1013884	(30000000- 40000000 )	Ring, Retaining, Int, 40mm, Ss	3
19	1211624	(30000000- 40000000 )	Stud, M8 X 1.25, Dbl End W/Hex, Ss	3
20	1059206	(30000000- 40000000 )	Hub, Drive, 3lug, Alm, 2disk, 6grv	1

SCRUB HEAD GROUP, 60CM DUAL DISK, MAGNETIC HUB

355296



SCRUB HEAD GROUP, 60CM DUAL DISK, MAGNETIC HUB

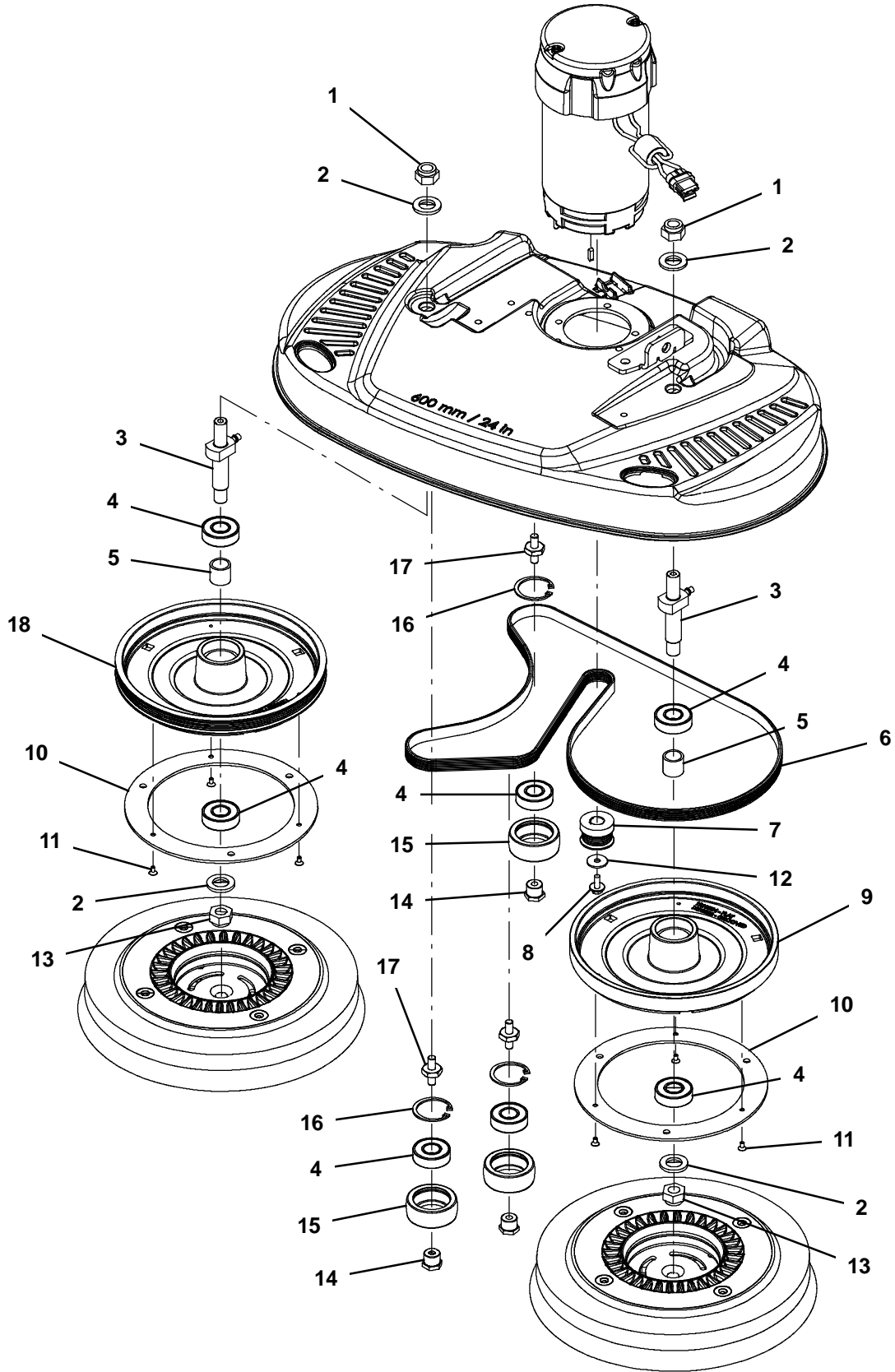
Ref.	Part No.	Serial Number	Description	Qty.
▽	1	1227280	(30066322- 40000000 ) Motor, 24vdc, 2000rpm, 7/8hp	1
▲		1059370	(30000000- 40000000 ) Brush, Motor, Replmt [Bag Of 4]	1
▲	2	1217769	(30000000- 40000000 ) Key, Sq, 04mm X 04mm, 15mml	1
▽	1	1210212	(30000000- 30066321 ) Motor, 24vdc, 2000rpm, 7/8hp, Us (Replaced By 9015160)	1
▲		1059370	(30000000- 40000000 ) Brush, Motor, Replmt [Bag Of 4]	1
▲	2	1217769	(30000000- 40000000 ) Key, Sq, 04mm X 04mm, 15mml	1
	3	09011	(30000000- 40000000 ) Screw, Hex, M8 X 1.25 X 30, Ss	1
	4	01685	(30000000- 40000000 ) Washer, Flat, 0.38b 0.88d .08, Ss	1
	5	222460	(30000000- 40000000 ) Sleeve, P/M, 0.32b 0.50d 0.5l [430ss]	1
	6	1010560	(30000000- 40000000 ) Wheel, Bmpr, 80d X 25w, Non- Marking	1
	7	1020341	(30000000- 40000000 ) Screw, Hex, M8 X 1.25 X 20, Ss, Sems	2
	8	1211506	(30000000- 40000000 ) Bracket, Rlr, Wall, Scb Head	1
	9	08713	(30000000- 40000000 ) Nut, Hex, Lock, M8 X 1.25, NI, Ss	1
	10	1210807	(30000000- 40000000 ) Wire, Tie [W/.25" Fir Tree Clip]	2
	11	130773	(30000000- 40000000 ) Tie, Cable, Nyl, 11.0l, .14w, 3.0 Max. D	2
	12	1212807	(30000000- 40000000 ) Fitting, Plstc, Str, Qm08/Bm08	1
	13	607776	(30000000- 40000000 ) Clamp, Hose, Wir, .73 - .77, Silver	1
	14	1216084	(30000000- 40000000 ) Manifold, Distribution, Water, 60dd [Vw]	1
	15	1217752	(30000000- 40000000 ) Bracket, Belt Guide	1
	16	1034731	(30000000- 40000000 ) Screw, Hex, M6 X 1.00 X 16, Sems, Ss	10
	17	1211027	(30000000- 40000000 ) Housing, Head, 60cm [Machined]	1
	18	1216346	(30000000- 40000000 ) Bracket Wldt, Guard, Splash, 60cm	1
	19	1072656	(30000000- 40000000 ) Bumper, Head, 60cm, Bristle Skirt	1
	20	1211907	(30000000- 40000000 ) Pin, Stop, Short	2
	21	1212785	(30000000- 40000000 ) Spring, Cmpr, .66od, .05wir, 1.75l, Ss	2
	22	1211242	(30000000- 40000000 ) Button, Plunger, Pad	2

▽ ASSEMBLY

▲ INCLUDED IN ASSEMBLY

SCRUB HEAD GROUP, 60CM DUAL DISK, MAGNETIC HUB - CONT'D

355336

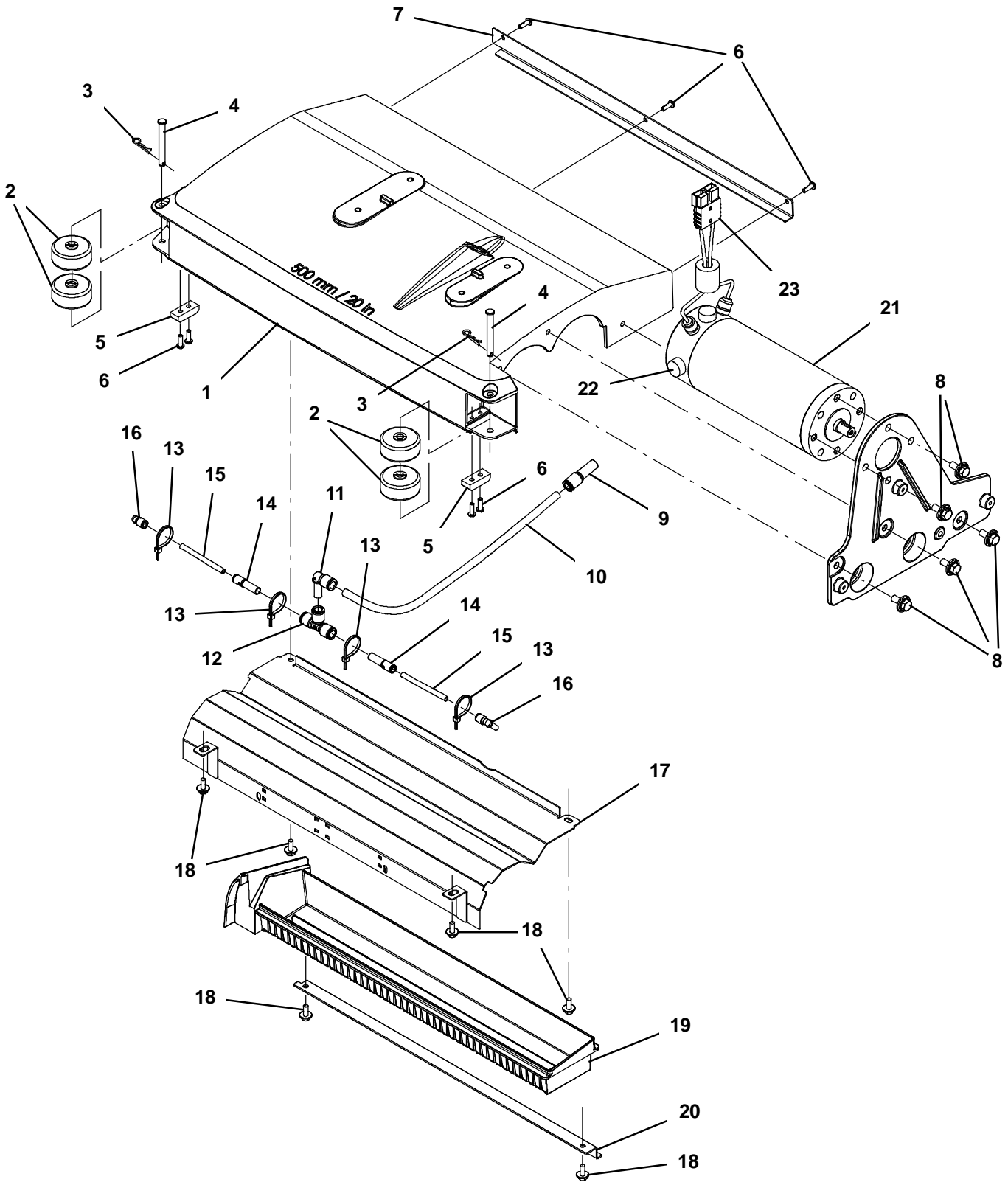


## SCRUB HEAD GROUP, 60CM DUAL DISK, MAGNETIC HUB - CONT'D

Ref.	Part No.	Serial Number	Description	Qty.
1	41517	(30000000- 40000000 )	Nut, Hex, Lock, M14 X 2.00, NI	2
2	1022549	(30000000- 40000000 )	Spacer, Shaft, 17.15b 30.0d 3.0l, Ss	4
3	1214206	(30000000- 40000000 )	Shaft Wldt, Mtg, Pulley	2
4	1211187	(30000000- 40000000 )	Bearing, Ball, 0.67b 1.57d 0.47w [6203]	7
5	1011041	(30000000- 40000000 )	Tube, 0.69id 0.87od 00.8l, Stl, PI	2
6	1055305	(30000000- 40000000 )	Belt, Drive, 6pj, Ej139 [T3]	1
7	1213927	(30000000- 40000000 )	Sheave, 06grv, 1.25pd 0.54b, Ss [Keyed]	1
8	1034731	(30000000- 40000000 )	Screw, Hex, M6 X 1.00 X 16, Sems, Ss	1
9	1210504	(30000000- 40000000 )	Hub, Drive, Magnetic, Flat, 60cm Dd	1
10	1205043	(30000000- 40000000 )	Ring, Hub, Magnetic	2
11	630114	(30000000- 40000000 )	Screw, Flt, Phl, M4 X 0.70 X 8, 4.8	6
12	019680127	(30000000- 40000000 )	Washer, Flat, 6.2mm Id X 22.0mm Od X 1.9	1
13	41517	(30000000- 40000000 )	Nut, Hex, Lock, M14 X 2.00, NI	2
14	1011008	(30000000- 40000000 )	Spacer, Brg, Idler	3
15	1058514	(30000000- 40000000 )	Pulley, Idler, 55d X 21w[60cm Dual Disk]	3
16	1013884	(30000000- 40000000 )	Ring, Retaining, Int, 40mm, Ss	3
17	1211624	(30000000- 40000000 )	Stud, M8 X 1.25, Dbl End W/Hex, Ss	3
18	1210503	(30000000- 40000000 )	Hub, Drive, Magnetic, Grooved, 60cm Dd	1

SCRUB HEAD GROUP, 50CM CYLINDRICAL

355297





## SCRUB HEAD GROUP, 50CM CYLINDRICAL

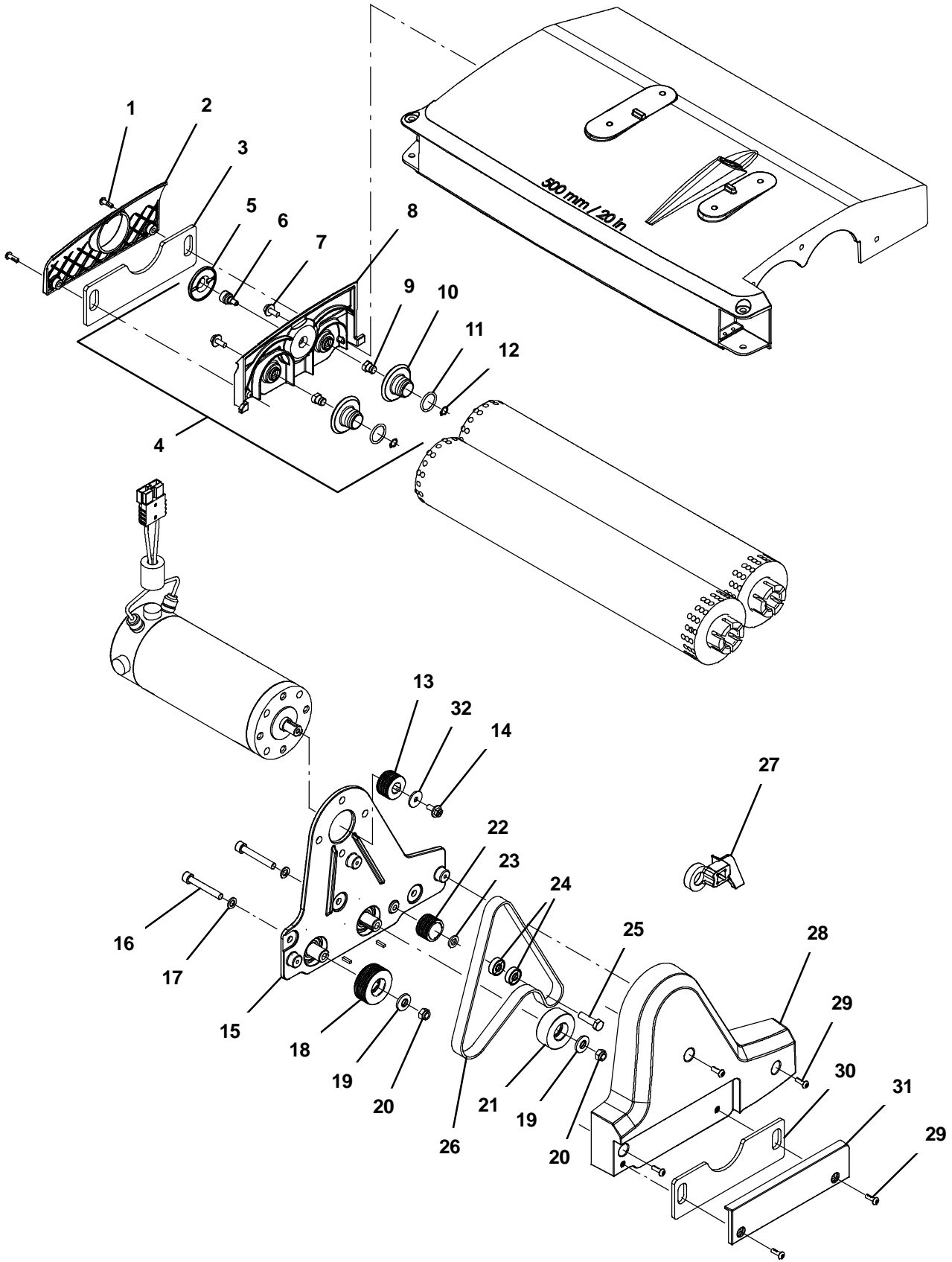
Ref.	Part No.	Serial Number	Description	Qty.	
1	1212265	(30000000- 40000000 )	Housing, Brush, Dbl 50cm [Machined]	1	
2	630477	(30000000- 40000000 )	Wheel, Pyu, 02.0d 0.38w, Gray	4	
3	1216647	(30000000- 40000000 )	Pin, Cotter, Hair, 0.38d .054 Wir	2	
4	391179	(30000000- 40000000 )	Pin, Clevis, 0.37d X 2.62l	2	
5	1215675	(30000000- 40000000 )	Skid, Brush Housing	2	
6	1205799	(30000000- 40000000 )	Screw, Btn, M5 X 0.8 X 16, 8.8, NI, Torx	7	
7	1213708	(30000000- 40000000 )	Bracket, Tray, Debris	1	
8	1020341	(30000000- 40000000 )	Screw, Hex, M8 X 1.25 X 20, Ss, Sems	7	
9	1215218	(30000000- 40000000 )	Fitting, Plstc, Str, Qf06/Qm08	1	
10	1014986	(30000000- 40000000 )	Hose, Afrmkt, Pvc, Clr, 0.25id, 02ft	1	
11	1215186	(30000000- 40000000 )	Fitting, Plstc, E90, Qf06/Qm06	1	
12	1212573	(30000000- 40000000 )	Fitting, Plstc, Tee, Qf06/Qf06/Qf06	1	
13	130773	(30000000- 40000000 )	Tie, Cable, Nyl, 11.0l, .14w, 3.0 Max. D	4	
14	1212934	(30000000- 40000000 )	Fitting, Plstc, Str, Qf04/Qm06	2	
15	160827	(30000000- 40000000 )	Hose, Pvc, Clr, 0.12id 0.25od 010.5l	1	
16	1214339	(30000000- 40000000 )	Fitting, Plstc, E90, Qfo4/Qm04	2	
17	1219486	(30000000- 40000000 )	Panel Wldt, Brush	1	
18	1034731	(30000000- 40000000 )	Screw, Hex, M6 X 1.00 X 16, Sems, Ss	6	
19	1213706	(30000000- 40000000 )	Tray, Debris, 500mm [Im]	1	
20	1213707	(30000000- 40000000 )	Bracket, Tray, Debris	1	
▽	21	1210202	(30000000- 40000000 )	Motor, Ele, 24vdc [Vw Cyl]	1
▲		1217769	(30000000- 40000000 )	Key, Sq, 04mm X 04mm, 15mml	1
▲	22	1059370	(30000000- 40000000 )	Brush, Motor, Replmt [Bag Of 4)	1
▲	23	49548	(30000000- 40000000 )	Connector, Anderson, 050a, Red	1

▽ ASSEMBLY

▲ INCLUDED IN ASSEMBLY

SCRUB HEAD GROUP, 50CM CYLINDRICAL - CONT'D

355298



SCRUB HEAD GROUP, 50CM CYLINDRICAL - CONT'D

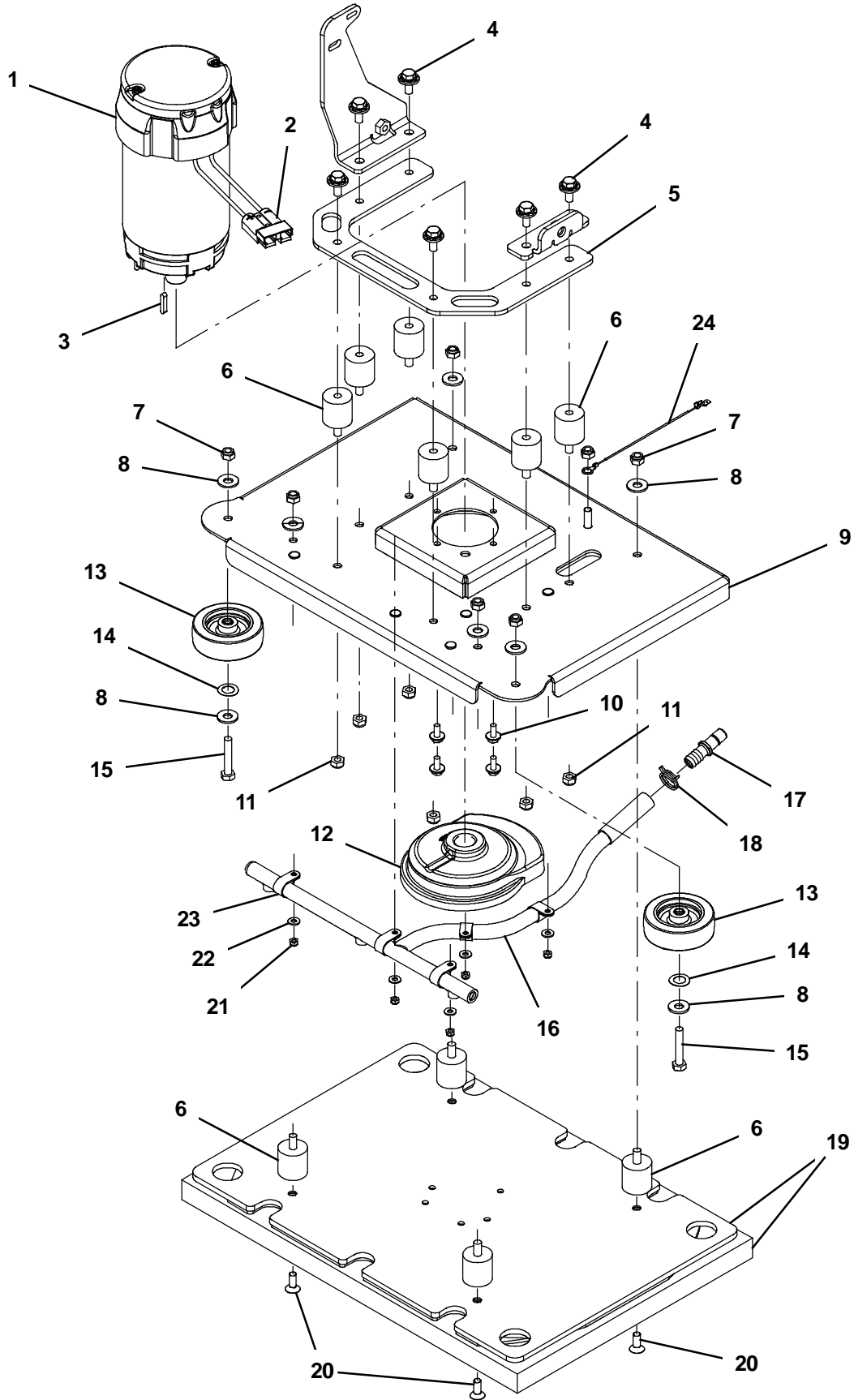
Ref.	Part No.	Serial Number	Description	Qty.
	1	1205799	(30000000- 40000000 ) Screw, Btn, M5 X 0.8 X 16, 8.8, NI, Torx	2
	2	1216689	(30000000- 40000000 ) Cover, Skirt, Cyl Door	1
	3	1215666	(30000000- 40000000 ) Skirt, Side, Cyl, Floating	1
▽	4	9014168	(30000000- 40000000 ) Door Assy, Brush	1
▲	5	1215581	(30000000- 40000000 ) Cap, Screw	1
▲	6	1062149	(30000000- 40000000 ) Knob, Rnd, 0.58d 0.50l, .25- 20x.50l Stud	1
▲	7	1034731	(30000000- 40000000 ) Screw, Hex, M6 X 1.00 X 16, Sems, Ss	2
▲	8	1212250	(30000000- 40000000 ) Door, Brush [Machined]	1
▲	9	1030682	(30000000- 40000000 ) Shaft, Idler Plug	2
▲	10	1030680	(30000000- 40000000 ) Hub, Idler, Brush	2
▲	11	1220596	(30000000- 40000000 ) Seal, Org, .139 X .859 Id, 212	2
▲	12	01543	(30000000- 40000000 ) Ring, Retaining, Ext, 0.39d, Basic	2
	13	1210116	(30000000- 40000000 ) Sheave, Motor, 07grv 1.3pd 0.50b [Pj]	1
	14	1034731	(30000000- 40000000 ) Screw, Hex, M6 X 1.00 X 16, Sems, Ss	1
▽	15	9014167	(30000000- 40000000 ) Brkt Assy, Motor, Sgl Mount (Also includes Hubs, Bearings and Seals - Not Available Separately)	1
▲	16	1057476	(30000000- 40000000 ) Screw, Soc, M8 X 1.25 X 55, Ss	2
▲	17	1057482	(30000000- 40000000 ) Washer, Flat, 0.33b 0.57d 0.06, Ss	2
▲	18	1210204	(30000000- 40000000 ) Sheave, Drive, Grvd 07grv, 2.0pd 0.67b [	1
▲	19	41186	(30000000- 40000000 ) Washer, Flat, Belleville, .31	2
▲	20	08713	(30000000- 40000000 ) Nut, Hex, Lock, M8 X 1.25, NI, Ss	2
▲	21	1210232	(30000000- 40000000 ) Sheave, Drive, Smooth 2.0pd 0.67b	1
▲	22	1210233	(30000000- 40000000 ) Sheave, Idler, 07grv 1.2pd 0.87b [Pj]	1
▲	23	1216289	(30000000- 40000000 ) Spacer, Pulley, 2cyl, Pm [Vw]	1
▲	24	1027651	(30000000- 40000000 ) Bearing, Ball, 8mmb X 22mmd X 7mmw	2
▲	25	1016399	(30000000- 40000000 ) Screw, Hex, M8 X 1.25 X 30, NI, Ss	1
▲▽	26	9014166	(30000000- 40000000 ) Kit, Belt, Motor (Includes Installation Tool)	1
▲▲	27	1213132	(30000000- 40000000 ) Tool, Installation, Belt	1
	28	1209594	(30000000- 40000000 ) Cover, Belt	1
	29	1205799	(30000000- 40000000 ) Screw, Btn, M5 X 0.8 X 16, 8.8, NI, Torx	5
	30	1215666	(30000000- 40000000 ) Skirt, Side, Cyl, Floating	1
	31	1216728	(30000000- 40000000 ) Cover, Skirt, Cyl Head	1
	32	019680127	(30000000- 40000000 ) Washer, Flat, 6.2mm Id X 22.0mm Od X 1.9	1

▽ ASSEMBLY

▲ INCLUDED IN ASSEMBLY

SCRUB HEAD GROUP, 50CM ORBITAL

355293



## SCRUB HEAD GROUP, 50CM ORBITAL

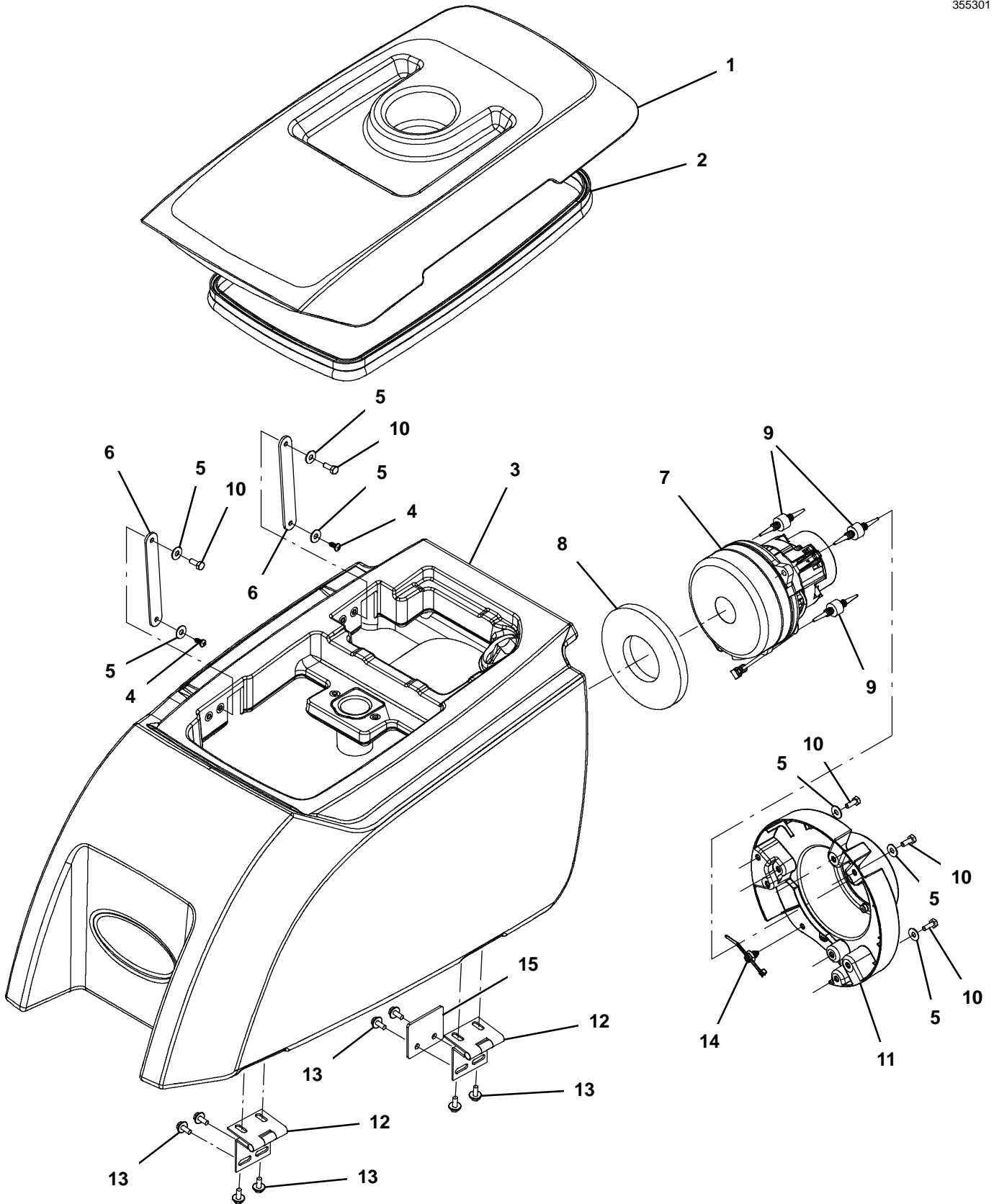
Ref.	Part No.	Serial Number	Description	Qty.
▽	1	1212669	(30000000- 40000000 ) Motor, Ele, 24vdc, 2200rpm, .6hp, 22mm	1
▲		1059370	(30000000- 40000000 ) Brush, Motor, Replmt [Bag Of 4]	1
▲	2	49548	(30000000- 40000000 ) Connector, Anderson, 050a, Red	1
▲	3	1014328	(30000000- 40000000 ) Key, Sq, 05mm X 05mm, 25mml	1
	4	1020341	(30000000- 40000000 ) Screw, Hex, M8 X 1.25 X 20, Ss, Sems	6
	5	1209745	(30000000- 40000000 ) Plate, Mtg, Head [50cm Orb]	1
	6	1212543	(30000000- 40000000 ) Isolator, Neoprene, 1.25" X 1.25", M8	10
	7	08713	(30000000- 40000000 ) Nut, Hex, Lock, M8 X 1.25, NI, Ss	6
	8	01685	(30000000- 40000000 ) Washer, Flat, 0.38b 0.88d .08, Ss	8
	9	1212527	(30000000- 40000000 ) Deck Wldt, Scrbr [Volga Wet]	1
	10	1034731	(30000000- 40000000 ) Screw, Hex, M6 X 1.00 X 16, Sems, Ss	4
	11	08713	(30000000- 40000000 ) Nut, Hex, Lock, M8 X 1.25, NI, Ss	6
	12	9014175	(30000000- 40000000 ) Kit, Eccentric Assy, [T300] (See Breakdowns)	1
	13	1014918	(30000000- 40000000 ) Wheel, 03.0d 0.88w 0.31b, W/ Bshg, Rbr	2
	14	1210221	(30000000- 40000000 ) Washer, Wave, .515b, .875d, .013, Ss	2
	15	222505	(30000000- 40000000 ) Screw, Hex, M8 X 1.25 X 45, Ss	2
	16	1212468	(30000000- 40000000 ) Manifold, Distribution, Water, Orb [Vw]	1
	17	1212807	(30000000- 40000000 ) Fitting, Plstc, Str, Qm08/Bm08	1
	18	607776	(30000000- 40000000 ) Clamp, Hose, Wir, .73 - .77, Silver	1
	19	9014189	(30000000- 40000000 ) Kit, Afmkt, Pad Driver [T300]	1
	20	1218926	(30000000- 40000000 ) Screw, Flt, Soc, M8 X 1.25 X 14, Ss	4
	21	09739	(30000000- 40000000 ) Nut, Hex, Lock, M5 X 0.80, NI, Ss	5
	22	01683	(30000000- 40000000 ) Washer, Flat, 10, Ss	5
	23	140916	(30000000- 40000000 ) Clamp, Cable, Nyl, 0.62d, Nat	5
	24	1074344	(30000000- 40000000 ) Harness, Ele [Ring With .250m Tail]	1

▽ ASSEMBLY

▲ INCLUDED IN ASSEMBLY

RECOVERY TANK GROUP, T300e MODEL

355301



## RECOVERY TANK GROUP, T300e MODEL

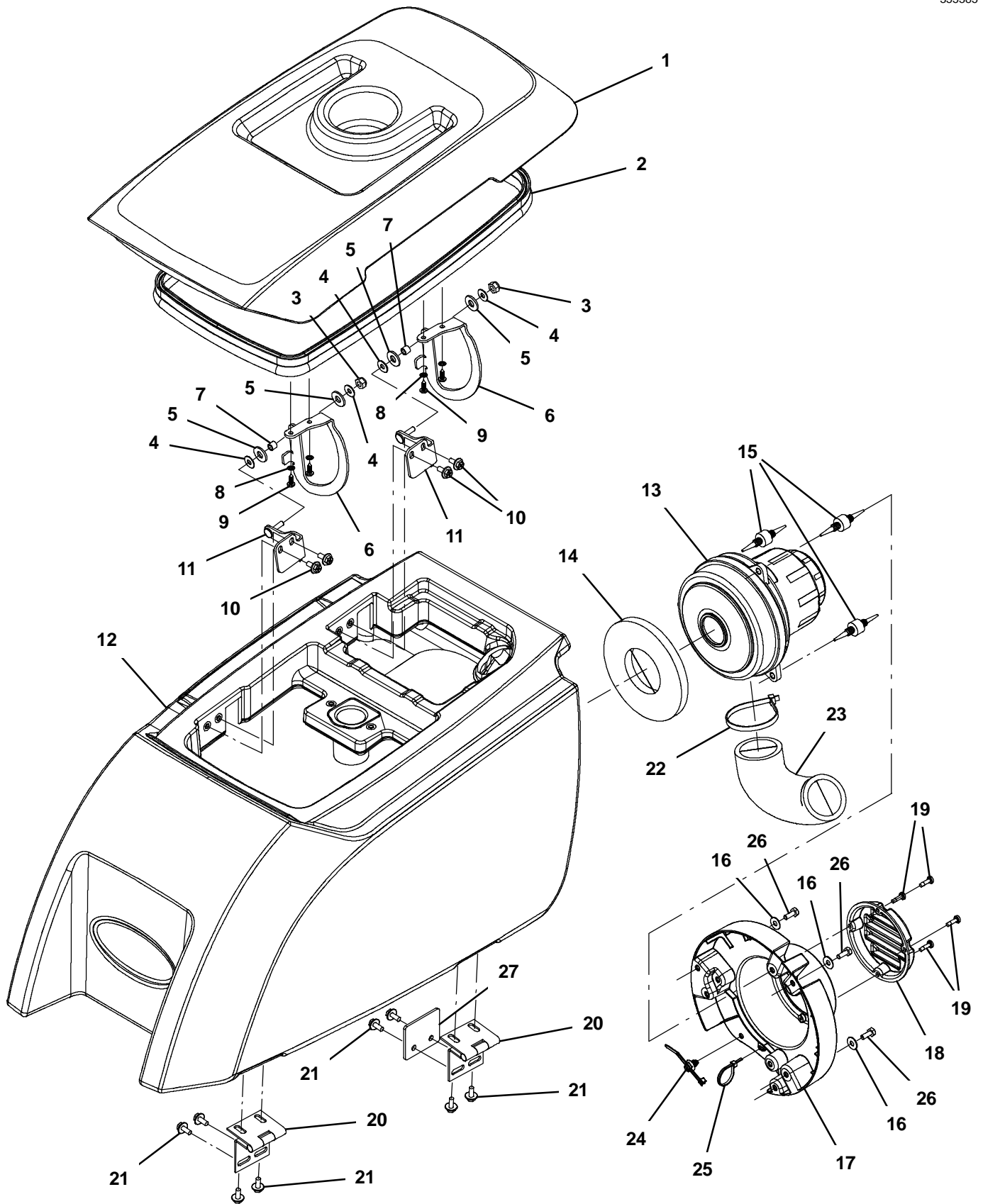
Ref.	Part No.	Serial Number	Description	Qty.
▽	1	9014674	(30000000- 40000000 ) Kit, Cover, Recvy, Ci [Exp]	1
▲	2	1210472	(30000000- 40000000 ) Seal, Afrmkt, Bulb, 0.50d .13grip, 05ft	1
	3	9014151	(30000000- 40000000 ) Kit, Tank, Recvy, W/Labels [T300e]	1
	4	1018155	(30000000- 40000000 ) Screw, Pan, Phl, M5 X 0.80 X 16, Tcut, Ss	2
	5	01684	(30000000- 40000000 ) Washer, Flat, 0.27b 0.69d .05, Ss	7
	6	1212553	(30000000- 40000000 ) Strap, Retaining, Cover, 125.0l	2
▽	7	1219312	(30000000- 40000000 ) Fan, Vacuum, 5.7d, 024vdc, 2 Stage	1
▲		372883	(30000000- 40000000 ) Vr, Brush Kit, Motor, Ele (1 Pkg = 2 Pcs)	1
	8	100038	(30000000- 40000000 ) Gasket, .50, 02.63id 05.75od, Adh [Epdm]	1
	9	1062016	(30000000- 40000000 ) Isolator, Vib, .75d	3
	10	11329	(30000000- 40000000 ) Screw, Hex, M6 X 1.00 X 16, NI, Ss	5
	11	1207368	(30000000- 40000000 ) Mount, Vacfan, 5.7/6.6	1
	12	1209466	(30000000- 40000000 ) Hinge, 6mm Pin 2.5 73.5mmw 60.0mml, Bent	2
	13	1034731	(30000000- 40000000 ) Screw, Hex, M6 X 1.00 X 16, Sems, Ss	8
	14	1210807	(30000000- 40000000 ) Wire, Tie [W/.25" Fir Tree Clip]	1
	15	1220553	(30000000- 40000000 ) Plate, Hinge, Doublor	1

▽ ASSEMBLY

▲ INCLUDED IN ASSEMBLY

RECOVERY TANK GROUP, T300 MODEL

355385





RECOVERY TANK GROUP, T300 MODEL

Ref.	Part No.	Serial Number	Description	Qty.
▽	1	9014674	(30000000- 40000000 ) Kit, Cover, Recvy, Ci [Exp]	1
▲	2	1210472	(30000000- 40000000 ) Seal, Afmkt, Bulb, 0.50d .13grip, 05ft	1
	3	08712	(30000000- 40000000 ) Nut, Hex, Lock, M6 X 1.00, NI, Ss	2
	4	01684	(30000000- 40000000 ) Washer, Flat, 0.27b 0.69d .05, Ss	4
	5	01685	(30000000- 40000000 ) Washer, Flat, 0.38b 0.88d .08, Ss	4
	6	1219440	(30000000- 40000000 ) Hinge, Goose Neck	2
	7	140154	(30000000- 40000000 ) Sleeve, P/M, 0.25b 0.38d 0.3l, PI	2
	8	07514	(30000000- 40000000 ) Washer, Lock, Int, 10, Ss	4
	9	1018155	(30000000- 40000000 ) Screw, Pan, Phl, M5 X 0.80 X 16, Tcut,Ss	4
	10	1034731	(30000000- 40000000 ) Screw, Hex, M6 X 1.00 X 16, Sems, Ss	4
	11	1219473	(30000000- 40000000 ) Hinge, Mount, Wldt	2
	12	9014150	(30000000- 40000000 ) Kit, Tank, Recvy, W/Labels [T300]	1
▽	13	1202880	(30000000- 40000000 ) Fan, Vacuum, 6.6d, 024vdc, 2 Stage	1
▲		1206774	(30000000- 40000000 ) Vr, Brush Kit, Motor, Fan (1 Pkg = 2 Pcs)	1
	14	100038	(30000000- 40000000 ) Gasket, .50, 02.63id 05.75od, Adh [Epdm]	1
	15	1062016	(30000000- 40000000 ) Isolator, Vib, .75d	3
	16	01684	(30000000- 40000000 ) Washer, Flat, 0.27b 0.69d .05, Ss	3
	17	1207368	(30000000- 40000000 ) Mount, Vacfan, 5.7/6.6	1
	18	1209342	(30000000- 40000000 ) Cover, Inlet, Vac, Vented (Sound Kit Option)	1
	19	1043573	(30000000- 40000000 ) Screw, #10- 14 X 0.675, Spl[Shcs,Selftap] (Sound Kit Option)	4
	20	1209466	(30000000- 40000000 ) Hinge, 6mm Pin 2.5 73.5mmw 60.0mml, Bent	2
	21	1034731	(30000000- 40000000 ) Screw, Hex, M6 X 1.00 X 16, Sems, Ss	8
	22	130773	(30000000- 40000000 ) Tie, Cable, Nyl, 11.0l, .14w, 3.0 Max. D	2
	23	1068577	(30000000- 40000000 ) Muffler, Exhaust, Vacfan, 150mml [T2/T3]	1
	24	1210807	(30000000- 40000000 ) Wire, Tie [W/.25" Fir Tree Clip]	1
	25	130773	(30000000- 40000000 ) Tie, Cable, Nyl, 11.0l, .14w, 3.0 Max. D	1
	26	11329	(30000000- 40000000 ) Screw, Hex, M6 X 1.00 X 16, NI, Ss	3
	27	1220553	(30000000- 40000000 ) Plate, Hinge, Doublor	1

▽ ASSEMBLY

▲ INCLUDED IN ASSEMBLY



RECOVERY TANK FILTER AND HOSE GROUP, SCREW CAP

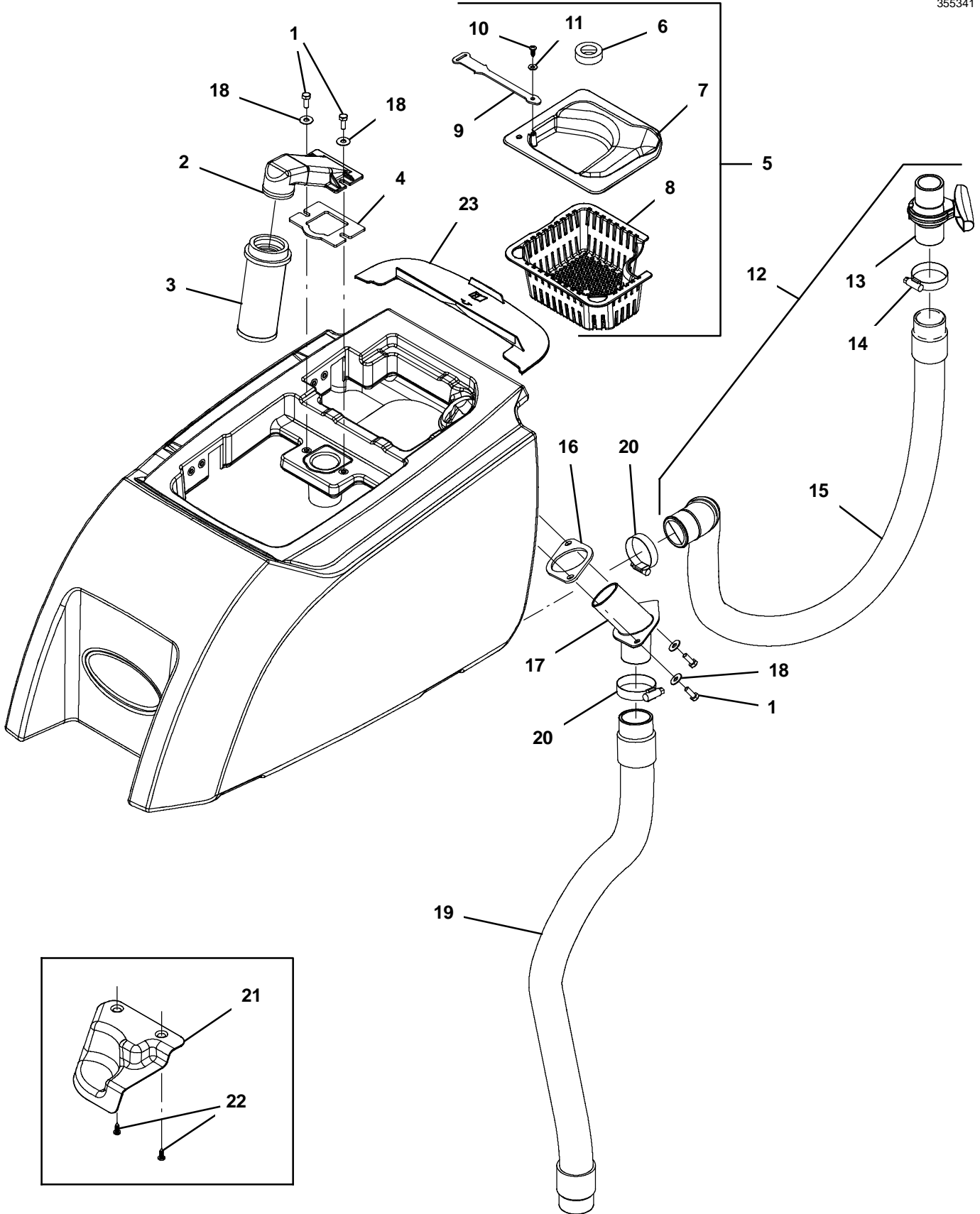
Ref.	Part No.	Serial Number	Description	Qty.	
1	11329	(30000000- 40000000 )	Screw, Hex, M6 X 1.00 X 16, NI, Ss	4	
2	1011777	(30000000- 40000000 )	Mount, Float, Mold	1	
3	630052	(30000000- 40000000 )	Float, Shut- Off, (2)Ball, 1.75d	1	
4	1013628	(30000000- 40000000 )	Gasket, Mtg, Float, .125th, Neo, Adh	1	
▽	5	9014872	(30052709- 40000000 )	Kit, Deflector, Tray, Debris, CI, [T300]	1
▲	6	1225187	(30052709- 40000000 )	Seal, Rbr, Clsd, 12.7 <sup>Th</sup> , 24.0ld, 40.0Od	1
▲	7	1224899	(30052709- 40000000 )	Deflector, Tray, Debris	1
▲	8	1207357	(30000000- 40000000 )	Tray, Debris, Tank, Recvy [T300]	1
▲	9	1225172	(30052709- 40000000 )	Strap, Retaining, Deflector, 150.0L	1
▲	10	1018155	(30052709- 40000000 )	Screw, Pan, Phl, M5 X 0.80 X 16, Tcut,Ss	1
▲	11	01683	(30052709- 40000000 )	Washer, Flat, 10, Ss	1
▽	12	1213008	(30000000- 40000000 )	Hose Assy, Drain, 1.5d 025l 1.5/Cap [Pu] (Gray)	1
▲	13	1219134	(30000000- 40000000 )	Cap, Drain Assy [Gray]	1
▽	12	1229594	(30000000- 40000000 )	Hose Assy, Drain, 1.5d 017l, [Pvc], [Ch]	1
▲	13	1218955	(30000000- 40000000 )	Cap, Drain Assy [Black]	1
14	11531	(30000000- 40000000 )	Clamp, Hose, Wormdrive, 1.06- 2.00d, .56w	2	
15	1037106	(30000000- 40000000 )	Gasket, Adapter, Hose .13, Neo	1	
16	1207196	(30000000- 40000000 )	Tube, Hose, Adapter, 1.5d [T300]	1	
17	01684	(30000000- 40000000 )	Washer, Flat, 0.27b 0.69d .05, Ss	4	
18	1204663	(30000000- 40000000 )	Hose Assy, W/2cuff,1.5d 031l 1.5/1.5[Pu]	1	
18	1229595	(30000000- 40000000 )	Hose Assy,W/2cuff,1.5d 022l, [Pvc], [Ch]	1	
19	1210214	(30000000- 30052708 )	Deflector, Water, Recvy (Replaced By 9014872)	1	
20	1018155	(30000000- 30052708 )	Screw, Pan, Phl, M5 X 0.80 X 16, Tcut,Ss	2	
21	9014905	(30054537- 40000000 )	Cover Kit, Circuitbreaker, Ci[T300/E/Ss]	1	

▽ ASSEMBLY

▲ INCLUDED IN ASSEMBLY

RECOVERY TANK FILTER AND HOSE GROUP, CONTROL VALVE

355341



RECOVERY TANK FILTER AND HOSE GROUP, CONTROL VALVE

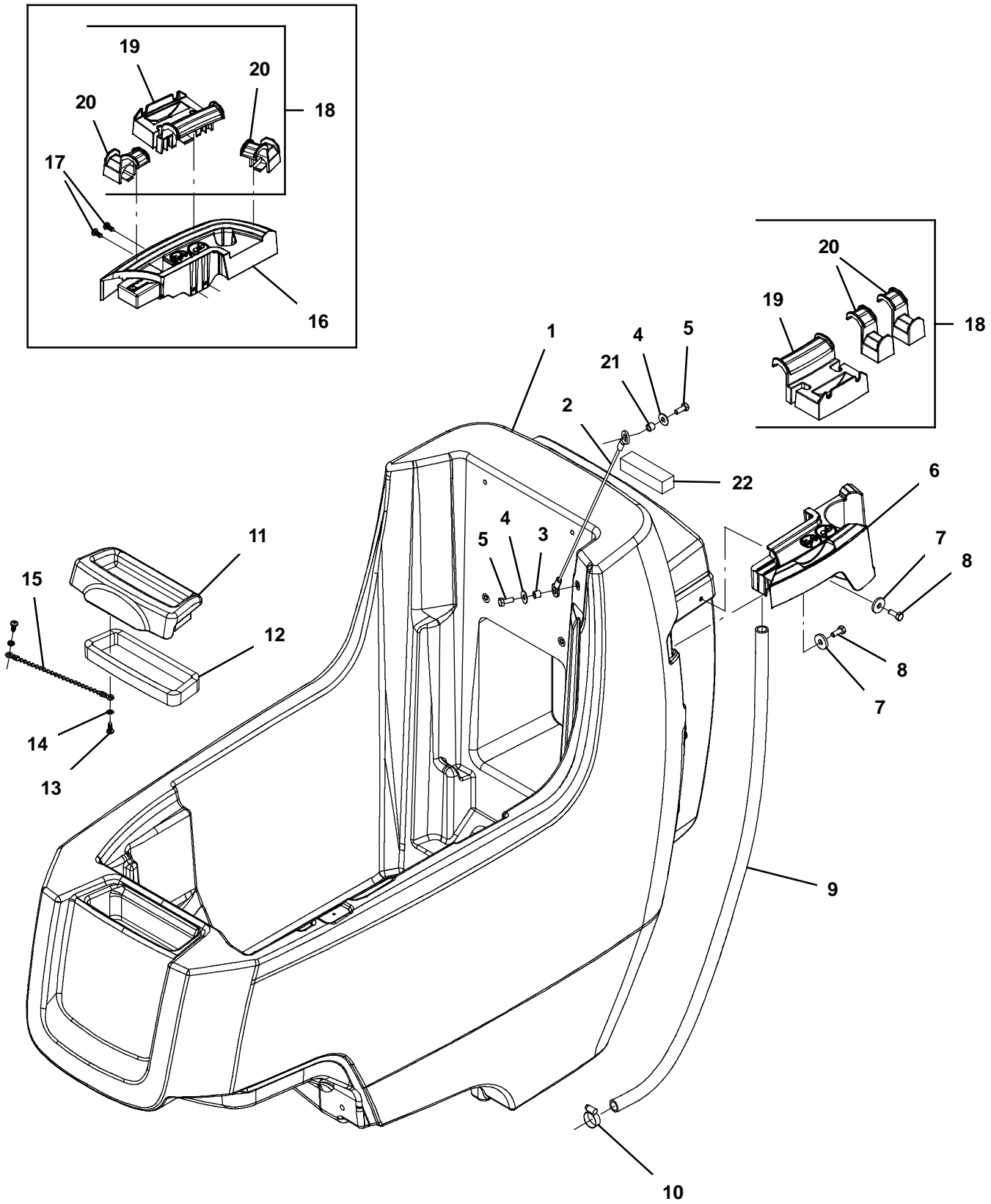
Ref.	Part No.	Serial Number	Description	Qty.	
1	11329	(30000000- 40000000 )	Screw, Hex, M6 X 1.00 X 16, NI, Ss	4	
2	1011777	(30000000- 40000000 )	Mount, Float, Mold	1	
3	630052	(30000000- 40000000 )	Float, Shut- Off, (2)Ball, 1.75d	1	
4	1013628	(30000000- 40000000 )	Gasket, Mtg, Float, .125th, Neo, Adh	1	
▽	5	9014872	(30052709- 40000000 )	Kit, Deflector, Tray, Debris, CI, [T300]	1
▲	6	1225187	(30052709- 40000000 )	Seal, Rbr, Clsd, 12.7 <sup>Th</sup> , 24.0ld, 40.0Od	1
▲	7	1224899	(30052709- 40000000 )	Deflector, Tray, Debris	1
▲	8	1207357	(30000000- 40000000 )	Tray, Debris, Tank, Recvy [T300]	1
▲	9	1225172	(30052709- 40000000 )	Strap, Retaining, Deflector, 150.0L	1
▲	10	1018155	(30052709- 40000000 )	Screw, Pan, Phl, M5 X 0.80 X 16, Tcut,Ss	1
▲	11	01683	(30052709- 40000000 )	Washer, Flat, 10, Ss	1
▽	12	9014171	(30000000- 40000000 )	Hose Assy, With Valve	1
▲	13	1051986	(30000000- 40000000 )	Valve, Ball, 2way, 1.0id Pvc, W/Handle	1
▲	14	11531	(30000000- 40000000 )	Clamp, Hose, Wormdrive, 1.06- 2.00d, .56w	1
▲	15	1222591	(30000000- 40000000 )	Hose Assy, 45cuff,1.5d 021l 1.5/1.5[Pu]	1
	16	1037106	(30000000- 40000000 )	Gasket, Adapter, Hose .13, Neo	1
	17	1207196	(30000000- 40000000 )	Tube, Hose, Adapter, 1.5d [T300]	1
	18	01684	(30000000- 40000000 )	Washer, Flat, 0.27b 0.69d .05, Ss	4
	19	1204663	(30000000- 40000000 )	Hose Assy, W/2cuff,1.5d 031l 1.5/1.5[Pu]	1
	20	11531	(30000000- 40000000 )	Clamp, Hose, Wormdrive, 1.06- 2.00d, .56w	2
	21	1210214	(30000000- 30052708 )	Deflector, Water, Recvy	1
	22	1018155	(30000000- 30052708 )	Screw, Pan, Phl, M5 X 0.80 X 16, Tcut,Ss	2
	23	9014905	(30054537- 40000000 )	Cover Kit, Circuitbreaker, Ci[T300/E/Ss]	1

▽ ASSEMBLY

▲ INCLUDED IN ASSEMBLY

SOLUTION TANK GROUP

355304



## SOLUTION TANK GROUP

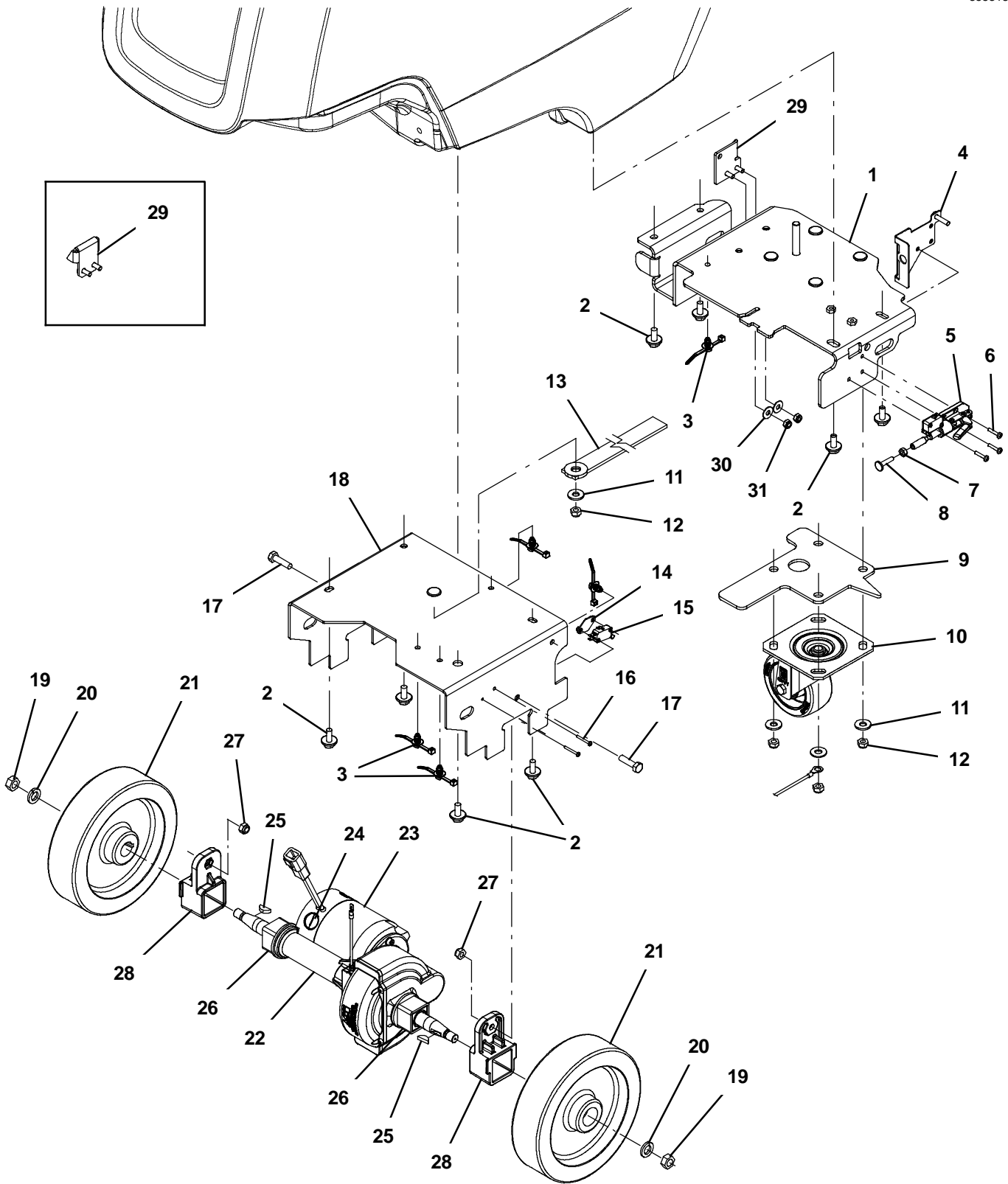
Ref.	Part No.	Serial Number	Description	Qty.	
1	9014156	(30000000-40000000)	Kit, Tank, Soltn, [T300/T300e]	1	
2	391368	(30000000-40000000)	Cable, Glv .09d 016.5l .38eye /.38eye	1	
3	140154	(30000000-40000000)	Sleeve, P/M, 0.25b 0.38d 0.3l, Pl	2	
4	01684	(30000000-40000000)	Washer, Flat, 0.27b 0.69d .05, Ss	2	
5	11329	(30000000-40000000)	Screw, Hex, M6 X 1.00 X 16, NI, Ss	2	
6	1214264	(30000000-40000000)	Tray, Accssry, Lh, 16mm Screw	1	
7	140053	(30000000-40000000)	Washer, Flat, 0.28b 0.88d .12, Ss	2	
8	11329	(30000000-40000000)	Screw, Hex, M6 X 1.00 X 16, NI, Ss	2	
9	20778	(30000000-40000000)	Hose, Pvc, Clr, 0.50id 0.69od 030.0l	1	
10	54333	(30000000-40000000)	Clamp, Hose, Wormdrive, 0.31-0.88d, .31w	1	
11	9014408	(30000000-40000000)	Kit, Cvr, Fill, W/ Ech20, Ci [Ce]	1	
11	9014409	(30000000-40000000)	Kit, Cvr, Fill, Ci [Ce]	1	
12	1046428	(30000000-40000000)	Seal, Afrmkt, Rbr, Clsd, Adh, 02ft	1	
13	1018155	(30000000-40000000)	Screw, Pan, Phl, M5 X 0.80 X 16, Tcut, Ss	2	
14	07514	(30000000-40000000)	Washer, Lock, Int, 10, Ss	2	
15	621443	(30000000-40000000)	Chain, Ball, 10, 0157mml, Ss	1	
16	1214249	(30000000-30064643)	Tray, Accssry, Rh, 16mm Screw	1	
17	1018155	(30000000-30064643)	Screw, Pan, Phl, M5 X 0.80 X 16, Tcut, Ss	2	
▽	18	9014251	(30000000-40000000)	Clip Kit, Rail, Di [T300/T300e/Ss300]	1
▲	19	1214292	(30000000-40000000)	Bracket, Hanger, Rail, Lrg	1
▲	20	1214291	(30000000-40000000)	Bracket, Hanger, Rail, Small	2
	21	80491	(30000000-40000000)	Sleeve, P/M, 0.25b 0.38d 0.2l [430ss]	1
	22	1229734	(30000000-40000000)	Seal, Neo, 0.88, 1.00w 3.6l Adh	1

▽ ASSEMBLY

▲ INCLUDED IN ASSEMBLY

FRAME GROUP, PROPEL MODEL

355318





FRAME GROUP, PROPEL MODEL

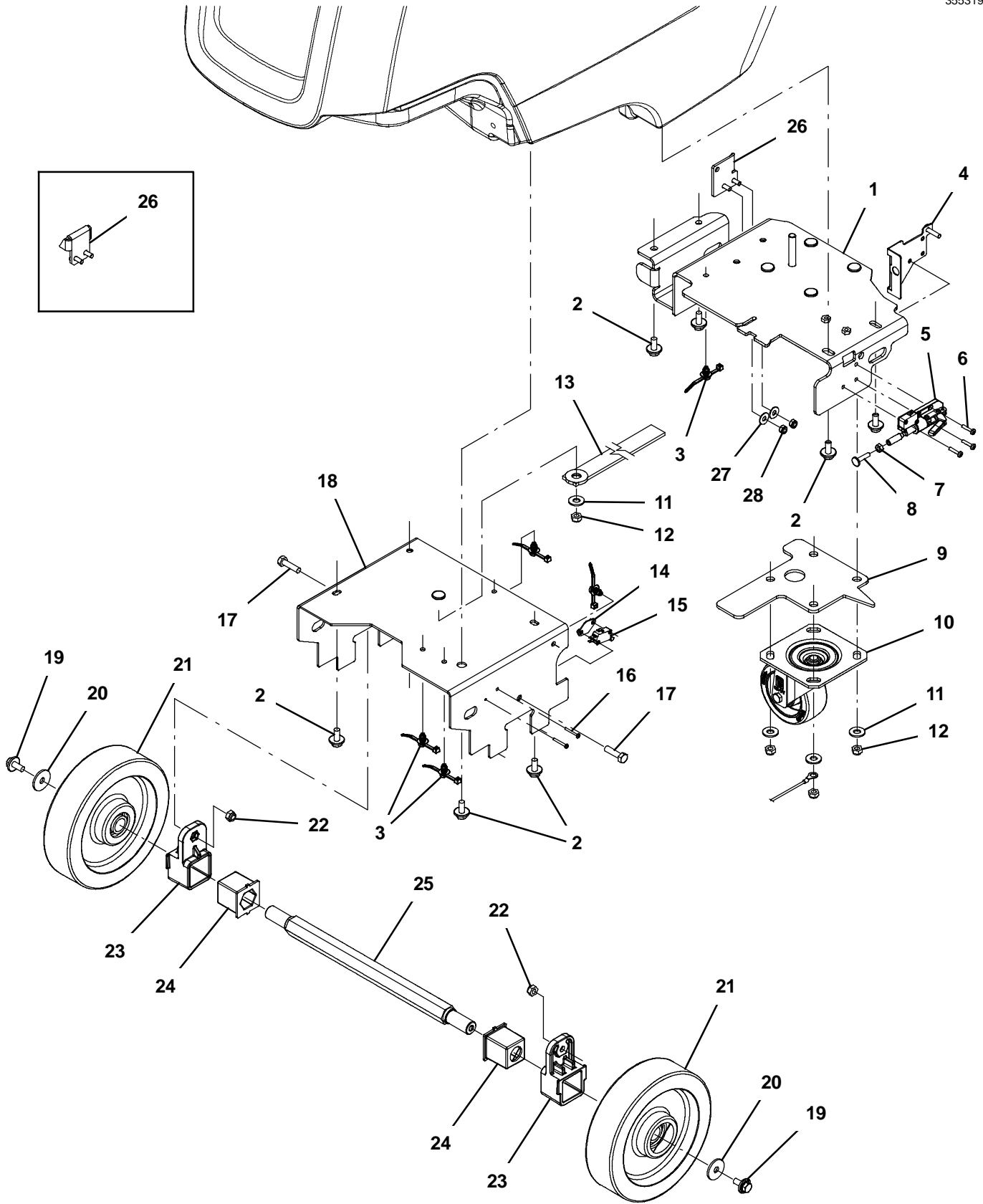
Ref.	Part No.	Serial Number	Description	Qty.	
1	1208498	(30000000- 40000000 )	Frame Wldt, Rear	1	
2	1020341	(30000000- 40000000 )	Screw, Hex, M8 X 1.25 X 20, Ss, Sems	8	
3	1210807	(30000000- 40000000 )	Wire, Tie [W/.25" Fir Tree Clip]	5	
4	1211230	(30000000- 40000000 )	Plate Wldt, Brake	1	
5	1209983	(30000000- 40000000 )	Clamp, Brake, Parking	1	
6	12323	(30000000- 40000000 )	Screw, Pan, Phl, M4 X 0.70 X 20, Ss	3	
7	07785	(30000000- 40000000 )	Nut, Hex, Std, M6 X 1.00, Ss	1	
8	1017416	(30000000- 40000000 )	Screw, Weld, M6 X 1.00 X 25, Thru, Ss	1	
9	1215093	(30000000- 40000000 )	Spacer, Caster	1	
10	1212422	(30000000- 40000000 )	Caster, Swivel [Wicke 224051]	1	
11	01685	(30000000- 40000000 )	Washer, Flat, 0.38b 0.88d .08, Ss	5	
12	08713	(30000000- 40000000 )	Nut, Hex, Lock, M8 X 1.25, NI, Ss	5	
13	71579	(30000000- 40000000 )	Strap, Static, W/Grommet, .19 1.1w 25.0l	1	
14	1013705	(30000000- 40000000 )	Plate, Thread, Switch, M3 Nut, 96hr PI	1	
15	1215716	(30000000- 40000000 )	Switch, 0.1a, Spdt[Micro, Gold Contacts]	1	
16	33933	(30000000- 40000000 )	Screw, Pan, Phl, M3 X 0.50 X 25, Ss	2	
17	09011	(30000000- 40000000 )	Screw, Hex, M8 X 1.25 X 30, Ss	2	
18	1211968	(30000000- 40000000 )	Frame Wldt, Front	1	
19	09741	(30000000- 40000000 )	Nut, Hex, Lock, M12 X 1.75, NI, Ss	2	
20	140058	(30000000- 40000000 )	Washer, Flat, 0.54b 0.88d .06, Ss [Wand]	2	
21	1214595	(30000000- 40000000 )	Wheel, Scrbr, 8.00d, W/ Taper [Hi Trac]	2	
▽	22	1209779	(30000000- 40000000 )	Transaxle, Ele, 24vdc, 112rpm [Asi]	1
▲		1017782	(30000000- 40000000 )	Coupling Kit, Transaxle, Replmt [11057]	1
▲▽	23	1216386	(30000000- 40000000 )	Motor, Transaxle, 24vdc, Replmt [UI, Ce]	1
▲▲	24	1212351	(30000000- 40000000 )	Brush Kit, Carbon, Transaxle, UI (1 Kit = 4 Pcs)	1
▲	25	1021167	(30000000- 40000000 )	Key, Woodruff, 5mm	2
▲	26	612880	(30000000- 40000000 )	Joint, Transaxle, Replmt	2
	27	08713	(30000000- 40000000 )	Nut, Hex, Lock, M8 X 1.25, NI, Ss	2
	28	1028292	(30000000- 40000000 )	Adapter, Mtg, Axle, Alm [T3]	2
	29	1223078	(30058934- 40000000 )	Bracket Wldt, Latch	1
	29	1013946	(30000000- 30058933 )	Bracket, Locking, Pedal, Foot (Replaced By 9014788)	1
	30	01684	(30000000- 40000000 )	Washer, Flat, 0.27b 0.69d .05, Ss	2
	31	08712	(30000000- 40000000 )	Nut, Hex, Lock, M6 X 1.00, NI, Ss	2
N/S	1075323	(30066322- 40000000 )	Harness, Main, Ele [Vw, Premium, Propel] (T300 Model)	1	
N/S	1073678	(30000000- 30066321 )	Harness, Main, Ele [Vw, Premium, Propel] (T300 Model) (Replaced By 9015157)	1	
N/S	1075321	(30061052- 40000000 )	Harness, Main, Ele [Vw, Base, Propel] (T300e Model)	1	
N/S	1073676	(30000000- 30061051 )	Harness, Main, Ele [Vw, Base, Propel] (T300e Model) (Replaced By 9015155)	1	
N/S	1073592	(30000000- 40000000 )	Harness, Ele [Vw, Op.Sta, Propel ]	1	

▽ ASSEMBLY

▲ INCLUDED IN ASSEMBLY

FRAME GROUP, PUSH MODEL

355319



## FRAME GROUP, PUSH MODEL

Ref.	Part No.	Serial Number	Description	Qty.
1	1208498	(30000000-40000000)	Frame Wldt, Rear	1
2	1020341	(30000000-40000000)	Screw, Hex, M8 X 1.25 X 20, Ss, Sems	8
3	1210807	(30000000-40000000)	Wire, Tie [W/.25" Fir Tree Clip]	5
4	1211230	(30000000-40000000)	Plate Wldt, Brake (Brake Option)	1
5	1209983	(30000000-40000000)	Clamp, Brake, Parking (Brake Option)	1
6	12323	(30000000-40000000)	Screw, Pan, Phl, M4 X 0.70 X 20, Ss (Brake Option)	3
7	07785	(30000000-40000000)	Nut, Hex, Std, M6 X 1.00, Ss (Brake Option)	1
8	1017416	(30000000-40000000)	Screw, Weld, M6 X 1.00 X 25, Thru, Ss (Brake Option)	1
9	1215093	(30000000-40000000)	Spacer, Caster	1
10	1212422	(30000000-40000000)	Caster, Swivel [Wicke 224051]	1
11	01685	(30000000-40000000)	Washer, Flat, 0.38b 0.88d .08, Ss	5
12	08713	(30000000-40000000)	Nut, Hex, Lock, M8 X 1.25, NI, Ss	5
13	71579	(30000000-40000000)	Strap, Static, W/Grommet, .19 1.1w 25.0l	1
14	1013705	(30000000-40000000)	Plate, Thread, Switch, M3 Nut, 96hr PI	1
15	1215716	(30000000-40000000)	Switch, 0.1a, Spdt[Micro, Gold Contacts]	1
16	33933	(30000000-40000000)	Screw, Pan, Phl, M3 X 0.50 X 25, Ss	2
17	09011	(30000000-40000000)	Screw, Hex, M8 X 1.25 X 30, Ss	2
18	1211968	(30000000-40000000)	Frame Wldt, Front	1
19	1020341	(30000000-40000000)	Screw, Hex, M8 X 1.25 X 20, Ss, Sems	2
20	1016331	(30000000-40000000)	Washer, Flat, 0.34b 1.25d .11, Ss	2
21	1214586	(30000000-40000000)	Wheel, Scrbr, 8.00d, W/ Brg [Hi Trac]	2
22	08713	(30000000-40000000)	Nut, Hex, Lock, M8 X 1.25, NI, Ss	2
23	1028292	(30000000-40000000)	Adapter, Mtg, Axle, Alm [T3]	2
24	1028381	(30000000-40000000)	Grommet, Axle [Tpu, T3 Push]	2
25	1028382	(30000000-40000000)	Axle, Wheel, Hex, Clr Zn [T3 Push]	1
26	1223078	(30058934-40000000)	Bracket Wldt, Latch	1
26	1013946	(30000000-30058933)	Bracket, Locking, Pedal, Foot (Replaced By 9014788)	1
27	01684	(30000000-40000000)	Washer, Flat, 0.27b 0.69d .05, Ss	2
28	08712	(30000000-40000000)	Nut, Hex, Lock, M6 X 1.00, NI, Ss	2
N/S	1075324	(30066322-40000000)	Harness, Main, Ele [Vw, Premium, Push] (T300 Model)	1
N/S	1073679	(30000000-30066321)	Harness, Main, Ele [Vw, Premium, Push] (T300 Model) (Replaced By 9015158)	1
N/S	1075322	(30061119-40000000)	Harness, Main, Ele [Vw, Base, Push] (T300e Model)	1
N/S	1073677	(30000000-30061118)	Harness, Main, Ele [Vw, Base, Push] (T300e Model) (Replaced By 9015156)	1
N/S	1073593	(30000000-40000000)	Harness, Ele [Vw, Op.Stat, Push]	1

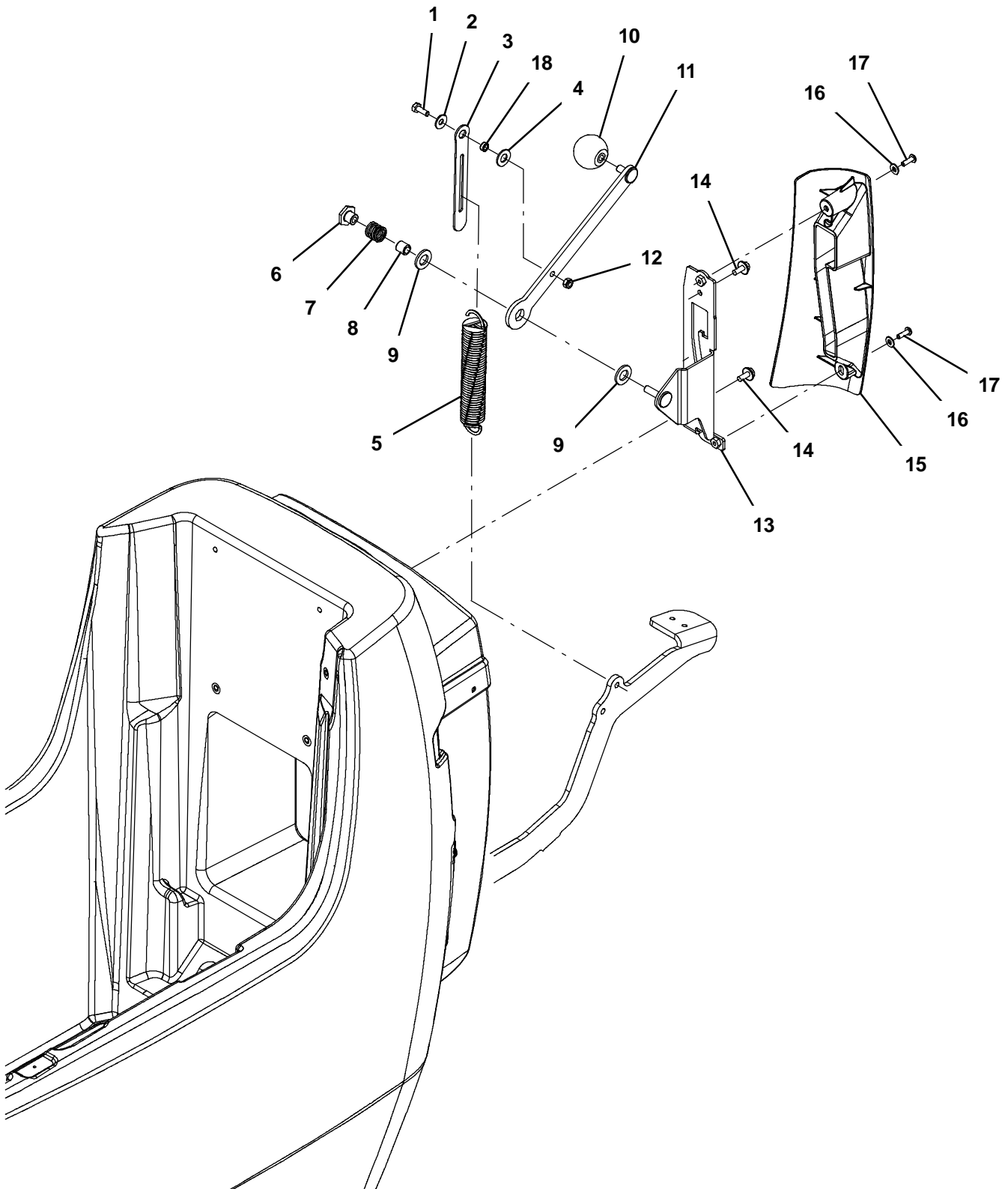


## ACTUATED DOWN PRESSURE GROUP

Ref.	Part No.	Serial Number	Description	Qty.
1	1214283	(30000000- 40000000 )	Guide, Cable	1
2	1016005	(30000000- 40000000 )	Screw, Hex, M6 X 1.00 X 25, NI, FI, Ss	1
3	1213998	(30000000- 30064643 )	Bracket Wldt, Mtg, Pulley, Down Press	1
4	1034731	(30000000- 30064643 )	Screw, Hex, M6 X 1.00 X 16, Sems, Ss	2
5	222460	(30000000- 40000000 )	Sleeve, P/M, 0.32b 0.50d 0.5l [430ss]	4
6	01685	(30000000- 40000000 )	Washer, Flat, 0.38b 0.88d .08, Ss	4
7	08713	(30000000- 40000000 )	Nut, Hex, Lock, M8 X 1.25, NI, Ss	4
8	1205799	(30000000- 30064643 )	Screw, Btn, M5 X 0.8 X 16, 8.8, NI, Torx	2
9	01683	(30000000- 30064643 )	Washer, Flat, 10, Ss	2
10	1212336	(30000000- 30064643 )	Cover, Pulley Assy, Down- Press	1
11	369781	(30000000- 40000000 )	Pulley, Cable, 1.5d Nyl	2
12	1216611	(30000000- 40000000 )	Spring, Extn, 1.14od, 0.13wir, 6.5l (Disk & Orbital Models)	1
12	1216677	(30000000- 40000000 )	Spring, Extn, 1.08od, 0.09wir, 6.5l (Cylindrical Model)	1
13	1218891	(30000000- 40000000 )	Retainer, Strip, Rubber	1
14	1214005	(30000000- 40000000 )	Cable, Down Press	1
15	1213986	(30000000- 40000000 )	Bracket Wldt, Mtg, Pulley, Down Press	1
16	1020341	(30000000- 40000000 )	Screw, Hex, M8 X 1.25 X 20, Ss, Sems	4
17	130773	(30000000- 40000000 )	Tie, Cable, Nyl, 11.0l, .14w, 3.0 Max. D	1
18	1213982	(30000000- 40000000 )	Actuator, 24vdc, 76.2 Strk, 500n	1
19	44906	(30000000- 40000000 )	Pin, Cotter, Hair, 0.38d .093 Wir	2
20	397249	(30000000- 40000000 )	Pin, Clevis, 0.31d X 1.62l	2
21	1214971	(30000000- 40000000 )	Actuator Wldt, Mtg	1
22	12277	(30064644- 40000000 )	Screw, Hex, M6 X 1.00 X 20, NI, Ss	2
23	01684	(30064644- 40000000 )	Washer, Flat, 0.27b 0.69d .05, Ss	2
24	1224289	(30064644- 40000000 )	Cover, Tank, Rh, [T300/E/Ss]	1
25	1224560	(30064644- 40000000 )	Bracket Wldt, Mtg, Pulley, Dnprs	1

MANUAL DOWN PRESSURE GROUP

355283

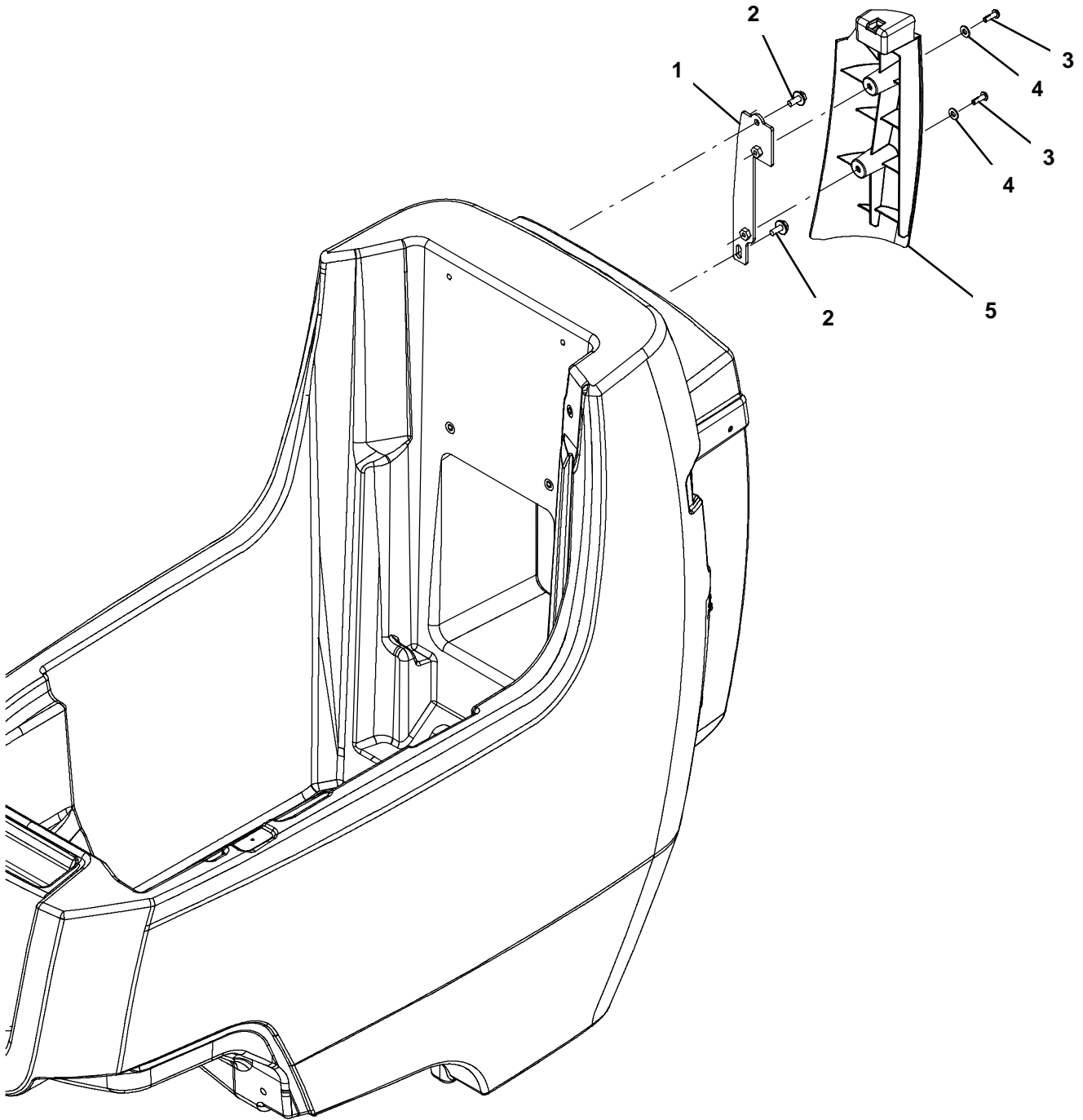


## MANUAL DOWN PRESSURE GROUP

Ref.	Part No.	Serial Number	Description	Qty.
1	11329	(30000000- 40000000 )	Screw, Hex, M6 X 1.00 X 16, NI, Ss	1
2	01684	(30000000- 40000000 )	Washer, Flat, 0.27b 0.69d .05, Ss	1
3	1213745	(30000000- 40000000 )	Plate, Link	1
4	20536	(30000000- 40000000 )	Washer, Flat, 0.45b 1.19d .06, Nyl	1
5	1216611	(30000000- 40000000 )	Spring, Extn, 1.14od, 0.13wir, 6.5l (Disk & Orbital Models)	1
5	1216677	(30000000- 40000000 )	Spring, Extn, 1.08od, 0.09wir, 6.5l (Cylindrical Model)	1
6	1018181	(30000000- 40000000 )	Nut, T, M8 X 1.25 X 0.50od X 0.4l	1
7	1018756	(30000000- 40000000 )	Spring, Cmpr, 0.70od .08wir 00.7l, Pl,Mw	1
8	222460	(30000000- 40000000 )	Sleeve, P/M, 0.32b 0.50d 0.5l [430ss]	1
9	1013936	(30000000- 40000000 )	Washer, Flat, 0.51b 0.94d .10, Nyl	2
10	1017156	(30000000- 40000000 )	Knob, Ball, M8 Insert, 40mmd, Plstc	1
11	1210591	(30000000- 40000000 )	Lever Wldt, Down Pressure, Mnl	1
12	08712	(30000000- 40000000 )	Nut, Hex, Lock, M6 X 1.00, NI, Ss	1
13	1210597	(30000000- 40000000 )	Bracket Wldt, Down Press, Mnl	1
14	1034731	(30000000- 40000000 )	Screw, Hex, M6 X 1.00 X 16, Sems, Ss	2
15	1209371	(30000000- 40000000 )	Cover, Lever Assy, Down- Press	1
16	01683	(30000000- 40000000 )	Washer, Flat, 10, Ss	2
17	1205799	(30000000- 40000000 )	Screw, Btn, M5 X 0.8 X 16, 8.8, NI, Torx	2
18	80491	(30000000- 40000000 )	Sleeve, P/M, 0.25b 0.38d 0.2l [430ss]	1

SINGLE DOWN PRESSURE GROUP

355284



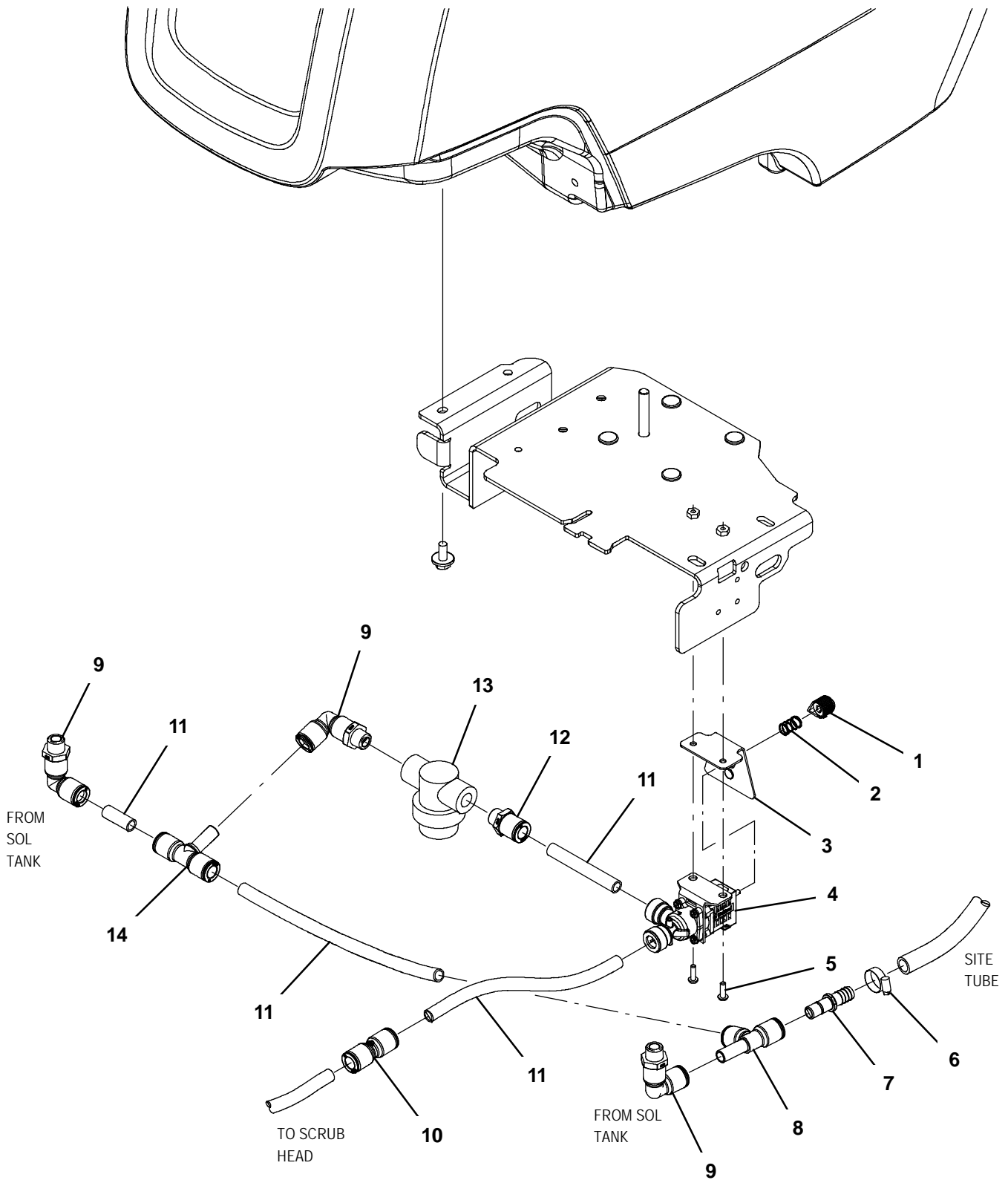


## SINGLE DOWN PRESSURE GROUP

Ref.	Part No.	Serial Number	Description	Qty.
1	1214330	(30000000- 40000000 )	Bracket Wldt, Mtg, Cover	1
2	1034731	(30000000- 40000000 )	Screw, Hex, M6 X 1.00 X 16, Sems, Ss	2
3	1205799	(30000000- 40000000 )	Screw, Btn, M5 X 0.8 X 16, 8.8, NI, Torx	2
4	01683	(30000000- 40000000 )	Washer, Flat, 10, Ss	2
5	1212336	(30000000- 40000000 )	Cover, Pulley Assy, Down- Press	1

SOLUTION GROUP, T300e MODEL

355307



SOLUTION GROUP, T300e MODEL

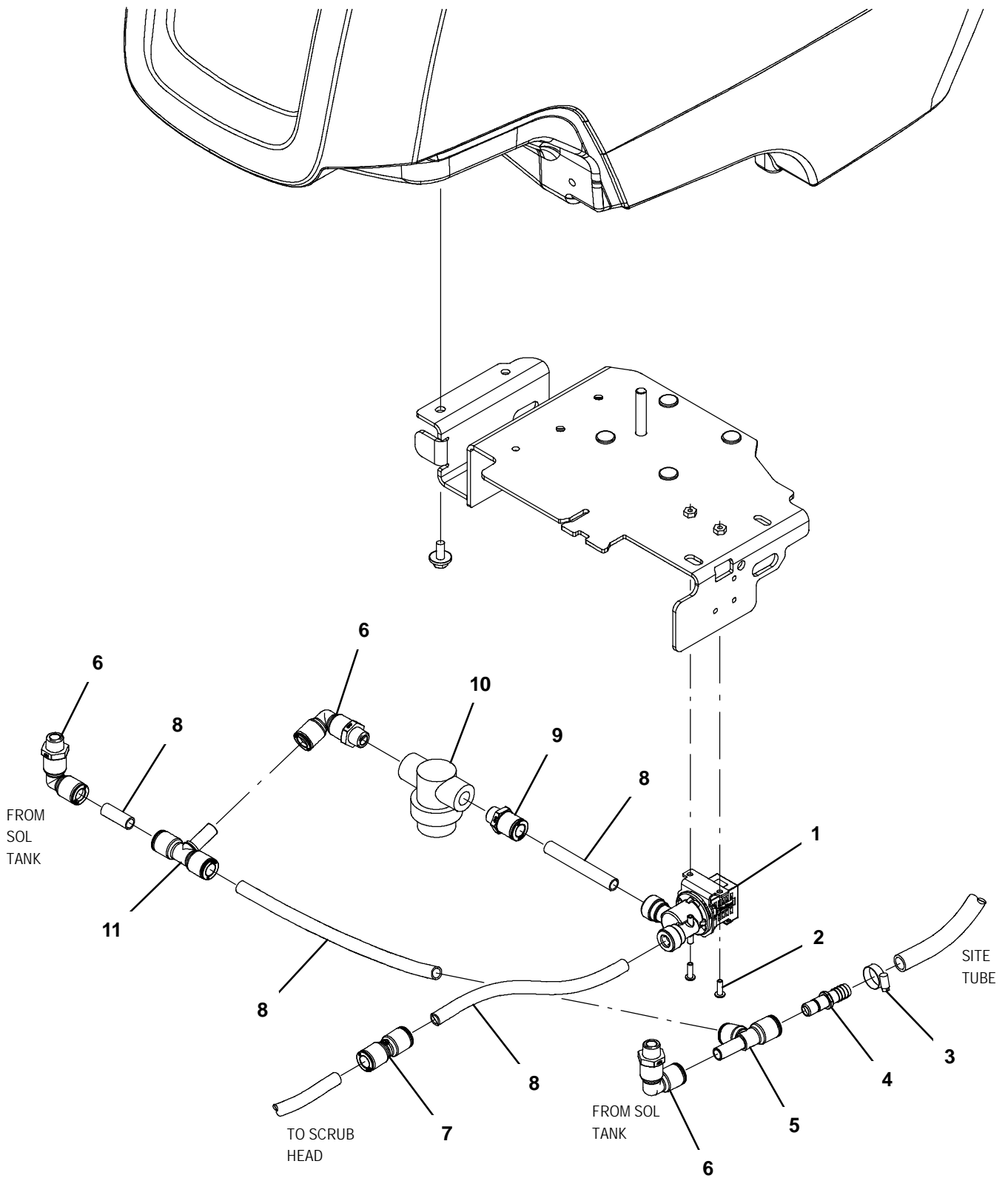
Ref.	Part No.	Serial Number	Description	Qty.	
1	1013442	(30000000- 40000000 )	Knob, Valve, 0.70d 0.61l, 0.21b	1	
2	1017091	(30000000- 40000000 )	Spring, Cmpr, 0.50od .04wir 00.8l	1	
3	1210041	(30000000- 40000000 )	Bracket Wldt, Mtg, Valve, Soltn	1	
4	1211423	(30000000- 40000000 )	Valve, Water, Solenoid, 24vdc Qf08/Qf08	1	
5	1205799	(30000000- 40000000 )	Screw, Btn, M5 X 0.8 X 16, 8.8, NI, Torx	2	
6	54333	(30000000- 40000000 )	Clamp, Hose, Wormdrive, 0.31- 0.88d, .31w	1	
7	1212807	(30000000- 40000000 )	Fitting, Plstc, Str, Qm08/Bm08	1	
8	1212806	(30000000- 40000000 )	Fitting, Plstc, Tee, Qf08/Qf08/Qm08	1	
9	1212987	(30000000- 40000000 )	Fitting, Plstc, E90, Qf08/Pm06, Swivel	3	
10	1212859	(30000000- 40000000 )	Fitting, Plstc, Str, Qf08/Qf08	1	
11	9014145	(30000000- 40000000 )	Hose, Afrmkt, Pe, .375id .50od, 05ft	1	
12	1212813	(30000000- 40000000 )	Fitting, Plstc, Str, Qf08/Pm06	1	
▽	13	1211537	(30000000- 40000000 )	Filter, In- Line, Pf06/Pf06 080m 2.6l Epd	1
▲		1218885	(30000000- 40000000 )	Gasket [Epdm, F/1211537]	1
▲		1218883	(30000000- 40000000 )	Screen, Fltr, 80 Mesh, Ss [W/ Cage]	1
▲		613991	(30000000- 40000000 )	Bowl, Clr, Short, F/1005302	1
14	1212810	(30000000- 40000000 )	Fitting, Plstc, Tee, Qm08/Qf08/Qf08	1	

▽ ASSEMBLY

▲ INCLUDED IN ASSEMBLY

SOLUTION GROUP, T300 MODEL

355308



## SOLUTION GROUP, T300 MODEL

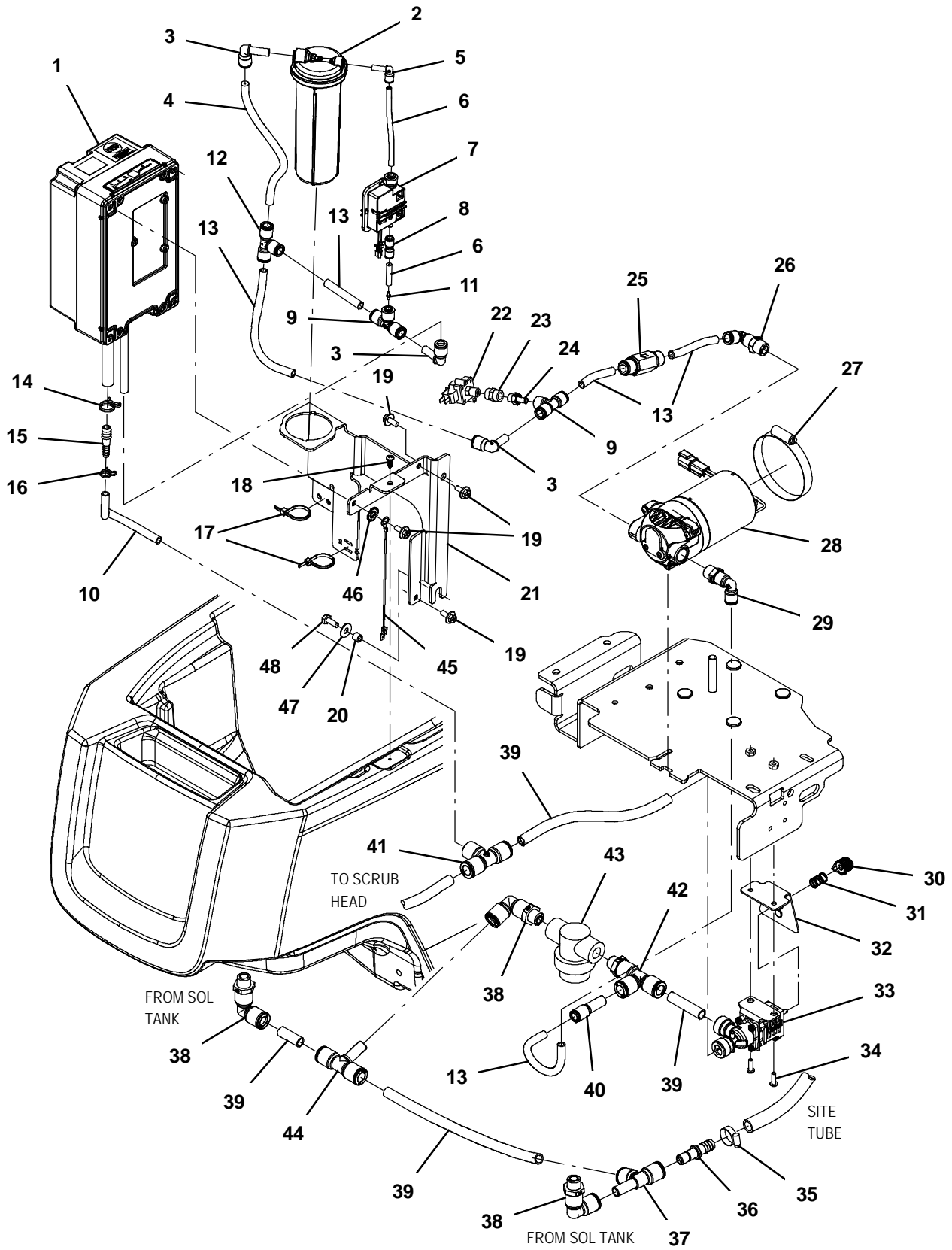
Ref.	Part No.	Serial Number	Description	Qty.	
1	1211424	(30000000- 40000000 )	Valve, Water, Solenoid, 24vdc Qf08/Qf08	1	
2	1205799	(30000000- 40000000 )	Screw, Btn, M5 X 0.8 X 16, 8.8, NI, Torx	2	
3	54333	(30000000- 40000000 )	Clamp, Hose, Wormdrive, 0.31- 0.88d, .31w	1	
4	1212807	(30000000- 40000000 )	Fitting, Plstc, Str, Qm08/Bm08	1	
5	1212806	(30000000- 40000000 )	Fitting, Plstc, Tee, Qf08/Qf08/Qm08	1	
6	1212987	(30000000- 40000000 )	Fitting, Plstc, E90, Qf08/Pm06, Swivel	3	
7	1212859	(30000000- 40000000 )	Fitting, Plstc, Str, Qf08/Qf08	1	
8	9014145	(30000000- 40000000 )	Hose, Afrmkt, Pe, .375id .50od, 05ft	1	
9	1212813	(30000000- 40000000 )	Fitting, Plstc, Str, Qf08/Pm06	1	
▽	10	1211537	(30000000- 40000000 )	Filter, In- Line, Pf06/Pf06 080m 2.6l Epd	1
▲	1218885	(30000000- 40000000 )	Gasket [Epdm, F/1211537]	1	
▲	1218883	(30000000- 40000000 )	Screen, Fltr, 80 Mesh, Ss [W/ Cage]	1	
▲	613991	(30000000- 40000000 )	Bowl, Clr, Short, F/1005302	1	
11	1212810	(30000000- 40000000 )	Fitting, Plstc, Tee, Qm08/Qf08/Qf08	1	

▽ ASSEMBLY

▲ INCLUDED IN ASSEMBLY

SOLUTION GROUP, T300e MODEL ec-H2O

355309



## SOLUTION GROUP, T300e MODEL ec- H2O

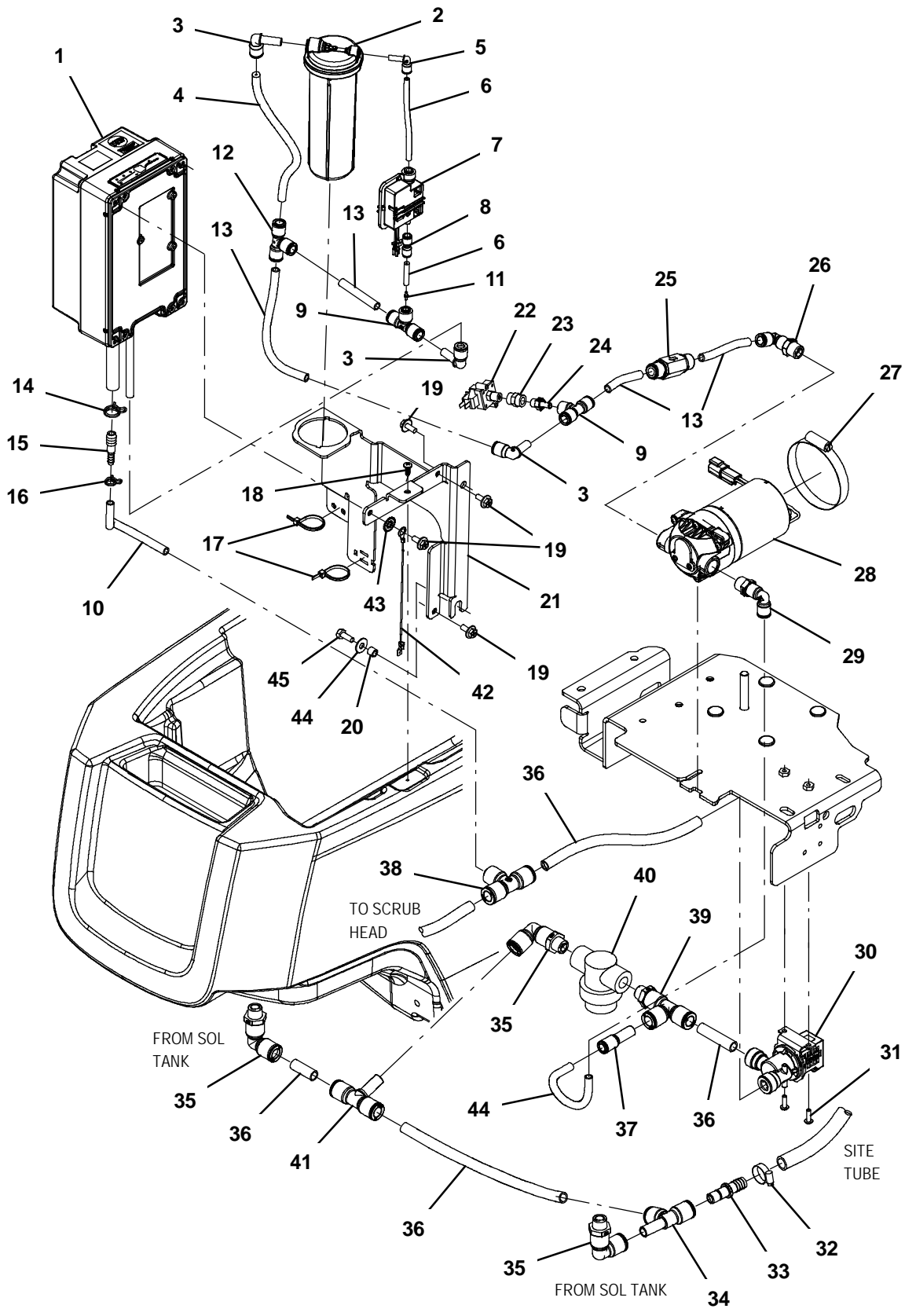
Ref.	Part No.	Serial Number	Description	Qty.
▽	1	9011810	(30000000-40000000 ) Module Kit, Replmt [Ec- H2o, B 02] (See Breakdowns)	1
▲	2	9013646	(30000000-40000000 ) Cartridge, Ec- H2o Nanoclean Wcm, 270ml	1
	3	1215186	(30000000-40000000 ) Fitting, Plstc, E90, Qf06/Qm06	1
	4	9014146	(30000000-40000000 ) Hose, Afrmkt, Pvc, 0.06id .38od, 05ft	1
	5	1214339	(30000000-40000000 ) Fitting, Plstc, E90, Qfo4/Qm04	1
	6	9014147	(30000000-40000000 ) Hose, Afrmkt, Pvc, 0.06id .25od, 05ft	1
	7	1216973	(30000000-40000000 ) Pump Assy, Dispenser	1
	8	1218192	(30000000-40000000 ) Fitting, Plstc, Str, Qf04/Qf04	1
	9	1212855	(30000000-40000000 ) Fitting, Plstc, Tee, Qf04/Qf06/Qf06	2
	10	1006415	(30000000-40000000 ) Hose, Afrmkt, Pvc, Clr, 0.25id, 03ft	1
	11	1214972	(30000000-40000000 ) Fitting, Orifice, Str, Bm01/Bm01	1
	12	1212573	(30000000-40000000 ) Fitting, Plstc, Tee, Qf06/Qf06/Qf06	1
	13	9014148	(30000000-40000000 ) Hose, Afrmkt, Nat, 0.25id 0.375od, 06ft	1
	14	607775	(30000000-40000000 ) Clamp, Hose, Wir, .63 - .66, Blk	1
	15	1039557	(30000000-40000000 ) Fitting, Plstc, Str, Bm04/Bm06	1
	16	613735	(30000000-40000000 ) Clamp, Hose, Wir, .40 - .42, Yel	1
	17	130773	(30000000-40000000 ) Tie, Cable, Nyl, 11.0l, .14w, 3.0 Max. D	2
	18	1018155	(30000000-40000000 ) Screw, Pan, Phl, M5 X 0.80 X 16, Tcut, Ss	1
	19	1034731	(30000000-40000000 ) Screw, Hex, M6 X 1.00 X 16, Sems, Ss	5
	20	140154	(30000000-40000000 ) Sleeve, P/M, 0.25b 0.38d 0.3l, PI	1
	21	1209249	(30000000-40000000 ) Bracket, Mtg, Ec- H2O Module [T300]	1
	22	1044335	(30000000-40000000 ) Switch, Press, 6psi, Pm02	1
	23	150307	(30000000-40000000 ) Fitting, Brs, Str, Pf02/Pf02, Cplg	1
	24	1216185	(30000000-40000000 ) Fitting, Plstc, Str, Qm04/Pm02	1
	25	1215527	(30000000-40000000 ) Valve, Check, 1.0 Psi Qf06/Qf06	1
	26	1212812	(30000000-40000000 ) Fitting, Plstc, E90, Qf06/Pm06, Swivel	1
	27	43555	(30000000-40000000 ) Clamp, Hose, Wormdrive, 2.62- 3.50d	1
	28	1210517	(30000000-40000000 ) Pump, Soltn, Ele, 24vdc, 35 Psi	1
	29	1212812	(30000000-40000000 ) Fitting, Plstc, E90, Qf06/Pm06, Swivel	1
	30	1013442	(30000000-40000000 ) Knob, Valve, 0.70d 0.61l, 0.21b	1
	31	1017091	(30000000-40000000 ) Spring, Cmpr, 0.50od .04wir 00.8l	1
	32	1210041	(30000000-40000000 ) Bracket Wldt, Mtg, Valve, Soltn	1
	33	1211423	(30000000-40000000 ) Valve, Water, Solenoid, 24vdc Qf08/Qf08	1
	34	1205799	(30000000-40000000 ) Screw, Btn, M5 X 0.8 X 16, 8.8, NI, Torx	2
	35	54333	(30000000-40000000 ) Clamp, Hose, Wormdrive, 0.31- 0.88d, .31w	1
	36	1212807	(30000000-40000000 ) Fitting, Plstc, Str, Qm08/Bm08	1
	37	1212806	(30000000-40000000 ) Fitting, Plstc, Tee, Qf08/Qf08/Qm08	1
	38	1212987	(30000000-40000000 ) Fitting, Plstc, E90, Qf08/Pm06, Swivel	3
	39	9014145	(30000000-40000000 ) Hose, Afrmkt, Pe, .375id .50od, 05ft	1
	40	1215218	(30000000-40000000 ) Fitting, Plstc, Str, Qf06/Qm08	1
	41	1212875	(30000000-40000000 ) Fitting, Plstc, Tee, Qf06/Qf08/Qf08	1
	42	1212808	(30000000-40000000 ) Fitting, Plstc, Tee, Qf08/Qf08/Pm06	1
▽	43	1211537	(30000000-40000000 ) Filter, In- Line, Pf06/Pf06 080m 2.6l Epd	1
▲		1218885	(30000000-40000000 ) Gasket [Epdm, F/1211537]	1
▲		1218883	(30000000-40000000 ) Screen, Fltr, 80 Mesh, Ss [W/ Cage]	1
▲		613991	(30000000-40000000 ) Bowl, Clr, Short, F/1005302	1
	44	1212810	(30000000-40000000 ) Fitting, Plstc, Tee, Qm08/Qf08/Qf08	1
	45	1074344	(30000000-40000000 ) Harness, Ele [Ring With .250m Tail]	1
	46	41140	(30000000-40000000 ) Washer, Lock, Int- Ext, 0.25	1
	47	01684	(30000000-40000000 ) Washer, Flat, 0.27b 0.69d .05, Ss	1
	48	11329	(30000000-40000000 ) Screw, Hex, M6 X 1.00 X 16, NI, Ss	1

▽ ASSEMBLY

▲ INCLUDED IN ASSEMBLY

SOLUTION GROUP, T300 MODEL ec-H2O

355310





## SOLUTION GROUP, T300 MODEL ec-H2O

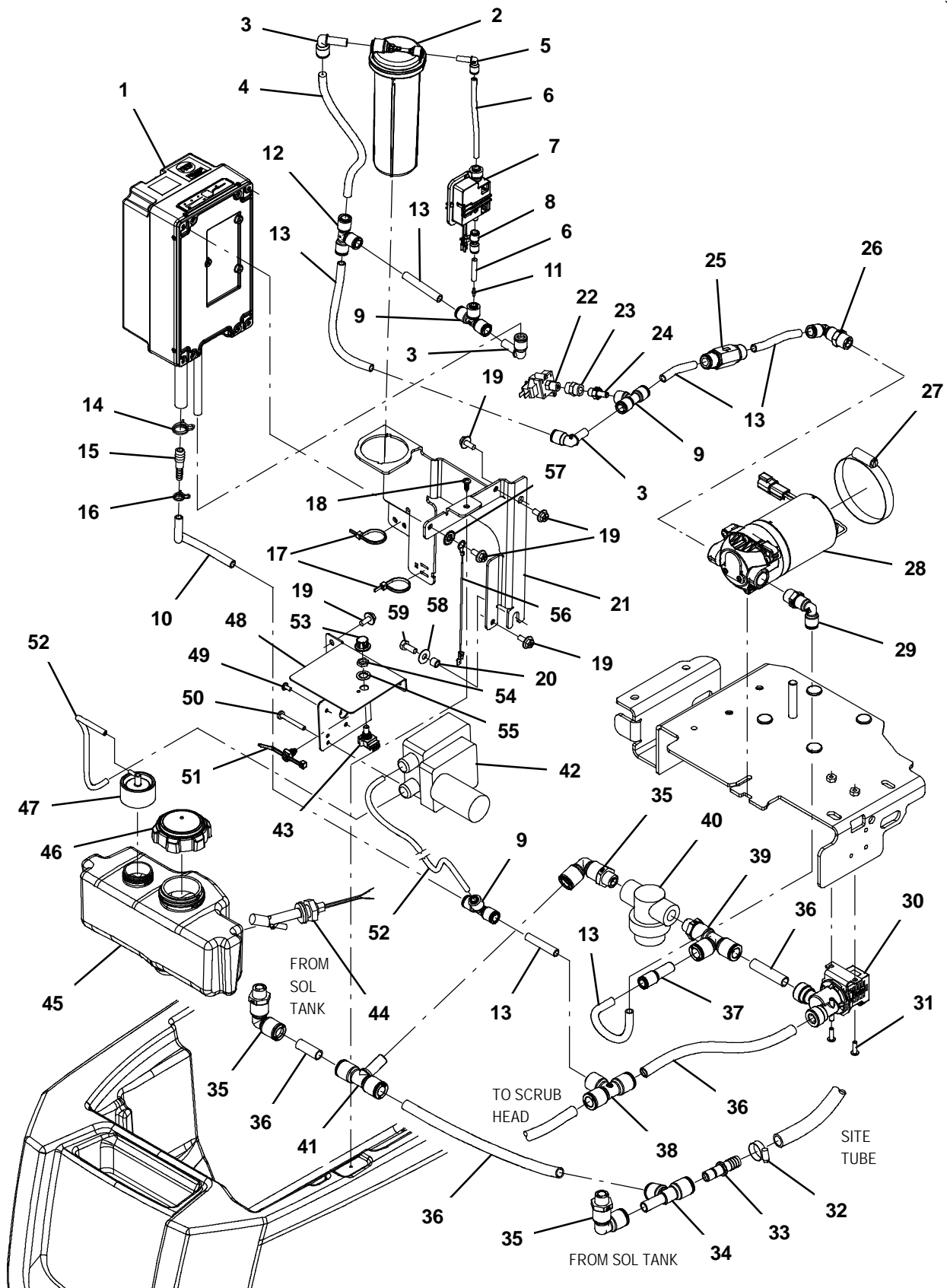
Ref.	Part No.	Serial Number	Description	Qty.
▽	1	9011810	(30000000-40000000 ) Module Kit, Replmt [Ec- H2o, B 02] (See Breakdowns)	1
▲	2	9013646	(30000000-40000000 ) Cartridge, Ec- H2o Nanoclean Wcm, 270ml	1
	3	1215186	(30000000-40000000 ) Fitting, Plstc, E90, Qf06/Qm06	1
	4	9014146	(30000000-40000000 ) Hose, Afrmkt, Pvc, 0.06id .38od, 05ft	1
	5	1214339	(30000000-40000000 ) Fitting, Plstc, E90, Qfo4/Qm04	1
	6	9014147	(30000000-40000000 ) Hose, Afrmkt, Pvc, 0.06id .25od, 05ft	1
	7	1216973	(30000000-40000000 ) Pump Assy, Dispenser	1
	8	1218192	(30000000-40000000 ) Fitting, Plstc, Str, Qf04/Qf04	1
	9	1212855	(30000000-40000000 ) Fitting, Plstc, Tee, Qf04/Qf06/Qf06	2
	10	1006415	(30000000-40000000 ) Hose, Afrmkt, Pvc, Clr, 0.25id, 03ft	1
	11	1214972	(30000000-40000000 ) Fitting, Orifice, Str, Bm01/Bm01	1
	12	1212573	(30000000-40000000 ) Fitting, Plstc, Tee, Qf06/Qf06/Qf06	1
	13	9014148	(30000000-40000000 ) Hose, Afrmkt, Nat, 0.25id 0.375od, 06ft	1
	14	607775	(30000000-40000000 ) Clamp, Hose, Wir, .63 - .66, Blk	1
	15	1039557	(30000000-40000000 ) Fitting, Plstc, Str, Bm04/Bm06	1
	16	613735	(30000000-40000000 ) Clamp, Hose, Wir, .40 - .42, Yel	1
	17	130773	(30000000-40000000 ) Tie, Cable, Nyl, 11.0l, .14w, 3.0 Max. D	2
	18	1018155	(30000000-40000000 ) Screw, Pan, Phl, M5 X 0.80 X 16, Tcut, Ss	1
	19	1034731	(30000000-40000000 ) Screw, Hex, M6 X 1.00 X 16, Sems, Ss	5
	20	140154	(30000000-40000000 ) Sleeve, P/M, 0.25b 0.38d 0.3l, PI	1
	21	1209249	(30000000-40000000 ) Bracket, Mtg, Ec- H2O Module [T300]	1
	22	1044335	(30000000-40000000 ) Switch, Press, 6psi, Pm02	1
	23	150307	(30000000-40000000 ) Fitting, Brs, Str, Pf02/Pf02, Cplg	1
	24	1216185	(30000000-40000000 ) Fitting, Plstc, Str, Qm04/Pm02	1
	25	1215527	(30000000-40000000 ) Valve, Check, 1.0 Psi Qf06/Qf06	1
	26	1212812	(30000000-40000000 ) Fitting, Plstc, E90, Qf06/Pm06, Swivel	1
	27	43555	(30000000-40000000 ) Clamp, Hose, Wormdrive, 2.62- 3.50d	1
	28	1210517	(30000000-40000000 ) Pump, Soltn, Ele, 24vdc, 35 Psi	1
	29	1212812	(30000000-40000000 ) Fitting, Plstc, E90, Qf06/Pm06, Swivel	1
	30	1211424	(30000000-40000000 ) Valve, Water, Solenoid, 24vdc Qf08/Qf08	1
	31	1205799	(30000000-40000000 ) Screw, Btn, M5 X 0.8 X 16, 8.8, NI, Torx	2
	32	54333	(30000000-40000000 ) Clamp, Hose, Wormdrive, 0.31- 0.88d, .31w	1
	33	1212807	(30000000-40000000 ) Fitting, Plstc, Str, Qm08/Bm08	1
	34	1212806	(30000000-40000000 ) Fitting, Plstc, Tee, Qf08/Qf08/Qm08	1
	35	1212987	(30000000-40000000 ) Fitting, Plstc, E90, Qf08/Pm06, Swivel	3
	36	9014145	(30000000-40000000 ) Hose, Afrmkt, Pe, .375id .50od, 05ft	1
	37	1215218	(30000000-40000000 ) Fitting, Plstc, Str, Qf06/Qm08	1
	38	1212875	(30000000-40000000 ) Fitting, Plstc, Tee, Qf06/Qf08/Qf08	1
	39	1212808	(30000000-40000000 ) Fitting, Plstc, Tee, Qf08/Qf08/Pm06	1
▽	40	1211537	(30000000-40000000 ) Filter, In- Line, Pf06/Pf06 080m 2.6l Epd	1
▲		1218885	(30000000-40000000 ) Gasket [Epdm, F/1211537]	1
▲		1218883	(30000000-40000000 ) Screen, Fltr, 80 Mesh, Ss [W/ Cage]	1
▲		613991	(30000000-40000000 ) Bowl, Clr, Short, F/1005302	1
	41	1212810	(30000000-40000000 ) Fitting, Plstc, Tee, Qm08/Qf08/Qf08	1
	42	1074344	(30000000-40000000 ) Harness, Ele [Ring With .250m Tail]	1
	43	41140	(30000000-40000000 ) Washer, Lock, Int- Ext, 0.25	1
	44	01684	(30000000-40000000 ) Washer, Flat, 0.27b 0.69d .05, Ss	1
	45	11329	(30000000-40000000 ) Screw, Hex, M6 X 1.00 X 16, NI, Ss	1

▽ ASSEMBLY

▲ INCLUDED IN ASSEMBLY

SOLUTION GROUP, T300 MODEL ec-H2O & SEVERE ENVIRONMENT

355311



SOLUTION GROUP, T300 MODEL ec- H2O & SEVERE ENVIRONMENT

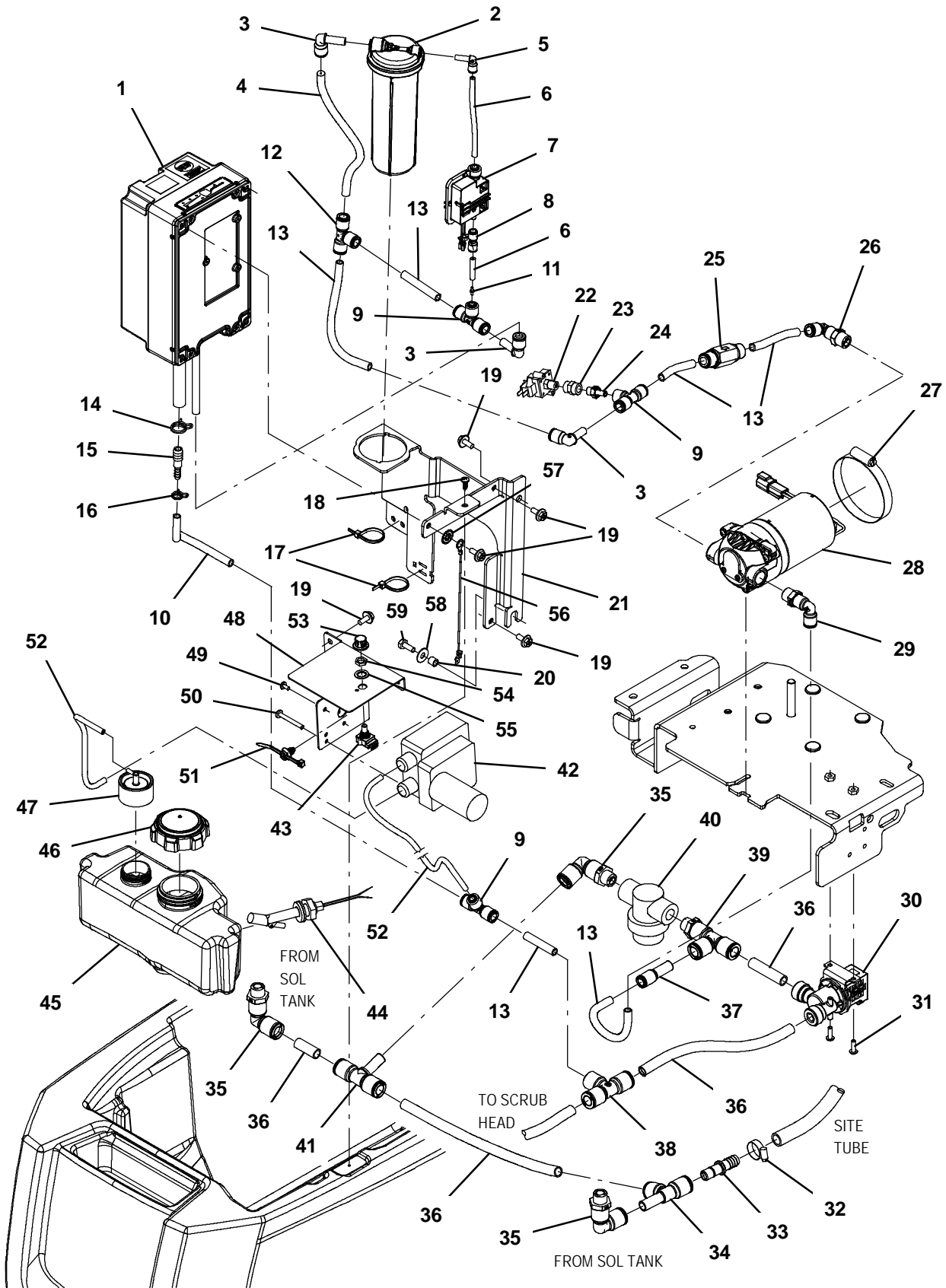
Ref.	Part No.	Serial Number	Description	Qty.
▽	1	9011810	(30000000- 40000000 ) Module Kit, Replmt [Ec- H2o, B 02] (See Breakdowns)	1
▲	2	9013646	(30000000- 40000000 ) Cartridge, Ec- H2o Nanoclean Wcm, 270ml	1
	3	1215186	(30000000- 40000000 ) Fitting, Plstc, E90, Qf06/Qm06	1
	4	9014146	(30000000- 40000000 ) Hose, Afrmkt, Pvc, 0.06id .38od, 05ft	1
	5	1214339	(30000000- 40000000 ) Fitting, Plstc, E90, Qfo4/Qm04	1
	6	9014147	(30000000- 40000000 ) Hose, Afrmkt, Pvc, 0.06id .25od, 05ft	1
	7	1216973	(30000000- 40000000 ) Pump Assy, Dispenser	1
	8	1218192	(30000000- 40000000 ) Fitting, Plstc, Str, Qf04/Qf04	1
	9	1212855	(30000000- 40000000 ) Fitting, Plstc, Tee, Qf04/Qf06/Qf06	3
	10	1006415	(30000000- 40000000 ) Hose, Afrmkt, Pvc, Clr, 0.25id, 03ft	1
	11	1214972	(30000000- 40000000 ) Fitting, Orifice, Str, Bm01/Bm01	1
	12	1212573	(30000000- 40000000 ) Fitting, Plstc, Tee, Qf06/Qf06/Qf06	1
	13	9014148	(30000000- 40000000 ) Hose, Afrmkt, Nat, 0.25id 0.375od, 06ft	1
	14	607775	(30000000- 40000000 ) Clamp, Hose, Wir, .63 - .66, Blk	1
	15	1039557	(30000000- 40000000 ) Fitting, Plstc, Str, Bm04/Bm06	1
	16	613735	(30000000- 40000000 ) Clamp, Hose, Wir, .40 - .42, Yel	1
	17	130773	(30000000- 40000000 ) Tie, Cable, Nyl, 11.0l, .14w, 3.0 Max. D	2
	18	1018155	(30000000- 40000000 ) Screw, Pan, Phl, M5 X 0.80 X 16, Tcut, Ss	1
	19	1034731	(30000000- 40000000 ) Screw, Hex, M6 X 1.00 X 16, Sems, Ss	7
	20	140154	(30000000- 40000000 ) Sleeve, P/M, 0.25b 0.38d 0.3l, PI	1
	21	1209249	(30000000- 40000000 ) Bracket, Mtg, Ec- H20 Module [T300]	1
	22	1044335	(30000000- 40000000 ) Switch, Press, 6psi, Pm02	1
	23	150307	(30000000- 40000000 ) Fitting, Brs, Str, Pf02/Pf02, Cplg	1
	24	1216185	(30000000- 40000000 ) Fitting, Plstc, Str, Qm04/Pm02	1
	25	1215527	(30000000- 40000000 ) Valve, Check, 1.0 Psi Qf06/Qf06	1
	26	1212812	(30000000- 40000000 ) Fitting, Plstc, E90, Qf06/Pm06, Swivel	1
	27	43555	(30000000- 40000000 ) Clamp, Hose, Wormdrive, 2.62- 3.50d	1
	28	1210517	(30000000- 40000000 ) Pump, Soltn, Ele, 24vdc, 35 Psi	1
	29	1212812	(30000000- 40000000 ) Fitting, Plstc, E90, Qf06/Pm06, Swivel	1
	30	1211424	(30000000- 40000000 ) Valve, Water, Solenoid, 24vdc Qf08/Qf08	1
	31	1205799	(30000000- 40000000 ) Screw, Btn, M5 X 0.8 X 16, 8.8, NI, Torx	2
	32	54333	(30000000- 40000000 ) Clamp, Hose, Wormdrive, 0.31- 0.88d, .31w	1
	33	1212807	(30000000- 40000000 ) Fitting, Plstc, Str, Qm08/Bm08	1
	34	1212806	(30000000- 40000000 ) Fitting, Plstc, Tee, Qf08/Qf08/Qm08	1
	35	1212987	(30000000- 40000000 ) Fitting, Plstc, E90, Qf08/Pm06, Swivel	3
	36	9014145	(30000000- 40000000 ) Hose, Afrmkt, Pe, .375id .50od, 05ft	1
	37	1215218	(30000000- 40000000 ) Fitting, Plstc, Str, Qf06/Qm08	1
	38	1212875	(30000000- 40000000 ) Fitting, Plstc, Tee, Qf06/Qf08/Qf08	1
	39	1212808	(30000000- 40000000 ) Fitting, Plstc, Tee, Qf08/Qf08/Pm06	1
▽	40	1211537	(30000000- 40000000 ) Filter, In- Line, Pf06/Pf06 080m 2.6l Epd	1
▲		1218885	(30000000- 40000000 ) Gasket [Epdm, F/1211537]	1
▲		1218883	(30000000- 40000000 ) Screen, Fltr, 80 Mesh, Ss [W/ Cage]	1
▲		613991	(30000000- 40000000 ) Bowl, Clr, Short, F/1005302	1

▽ ASSEMBLY

▲ INCLUDED IN ASSEMBLY

SOLUTION GROUP, T300 MODEL ec-H2O & SEVERE ENVIRONMENT - CONT'D

355311



SOLUTION GROUP, T300 MODEL ec-H2O & SEVERE ENVIRONMENT - CONT'D

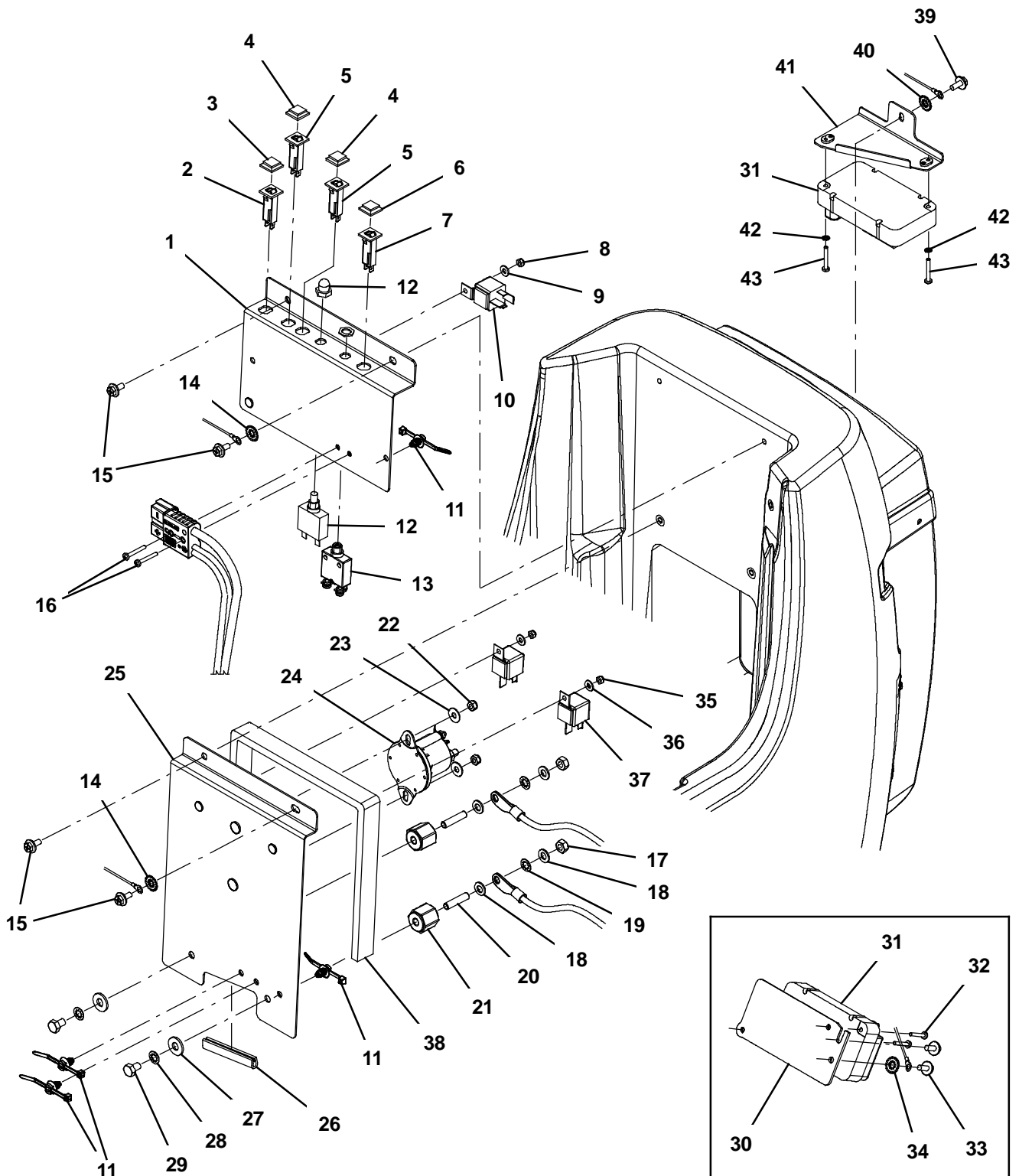
Ref.	Part No.	Serial Number	Description	Qty.
	41	1212810	(30000000- 40000000 ) Fitting, Plstc, Tee, Qm08/Qf08/Qf08	1
▽	42	1215698	(30000000- 40000000 ) Pump Assy, Detgt, 24 Vdc [T300]	1
▲		1208721	(30000000- 40000000 ) Pump, Detgt, 24vdc, 120rpm	1
▲		1219077	(30000000- 40000000 ) Hose Kit, Detgt [0.5cc]	1
▲	43	1211775	(30000000- 40000000 ) Potentiometer [5k, W/Leads And Conn.]	1
	44	1212430	(30000000- 40000000 ) Sensor, Level, Liq, 30watt, Spst	1
	45	1208289	(30000000- 40000000 ) Tank [1.5 Liter]	1
	46	1210442	(30000000- 40000000 ) Cap, Tank, 2.25 [Vented]	1
	47	1210437	(30000000- 40000000 ) Cap, Plstc, 38mm, Elbow Ftg	1
	48	1209151	(30000000- 40000000 ) Bracket, Mtg, Pump, Detgt	1
	49	609980	(30000000- 40000000 ) Screw, Trs, Phl, 08- 32 X 0.38, Sems	4
	50	17185	(30000000- 40000000 ) Screw, Pan, Phl, M5 X 0.80 X 40, Ss	2
	51	1210807	(30000000- 40000000 ) Wire, Tie [W/.25" Fir Tree Clip]	1
	52	613465	(30000000- 40000000 ) Hose, Pvc, Clr, 0.12id 0.25od 026.0l	1
	53	630265	(30000000- 40000000 ) Knob, Rnd, 0.75d 0.50l 0.25b, Plstc	1
	54	222607	(30000000- 40000000 ) Nut, Hex, Thin, .38- 32	1
	55	43953	(30000000- 40000000 ) Washer, Lock, Int, 0.38, Ss	1
	56	1074344	(30000000- 40000000 ) Harness, Ele [Ring With .250m Tail]	1
	57	41140	(30000000- 40000000 ) Washer, Lock, Int- Ext, 0.25	1
	58	01684	(30000000- 40000000 ) Washer, Flat, 0.27b 0.69d .05, Ss	1
	59	11329	(30000000- 40000000 ) Screw, Hex, M6 X 1.00 X 16, NI, Ss	1

▽ ASSEMBLY

▲ INCLUDED IN ASSEMBLY

ELECTRICAL COMPONENTS GROUP, T300e MODEL

355320

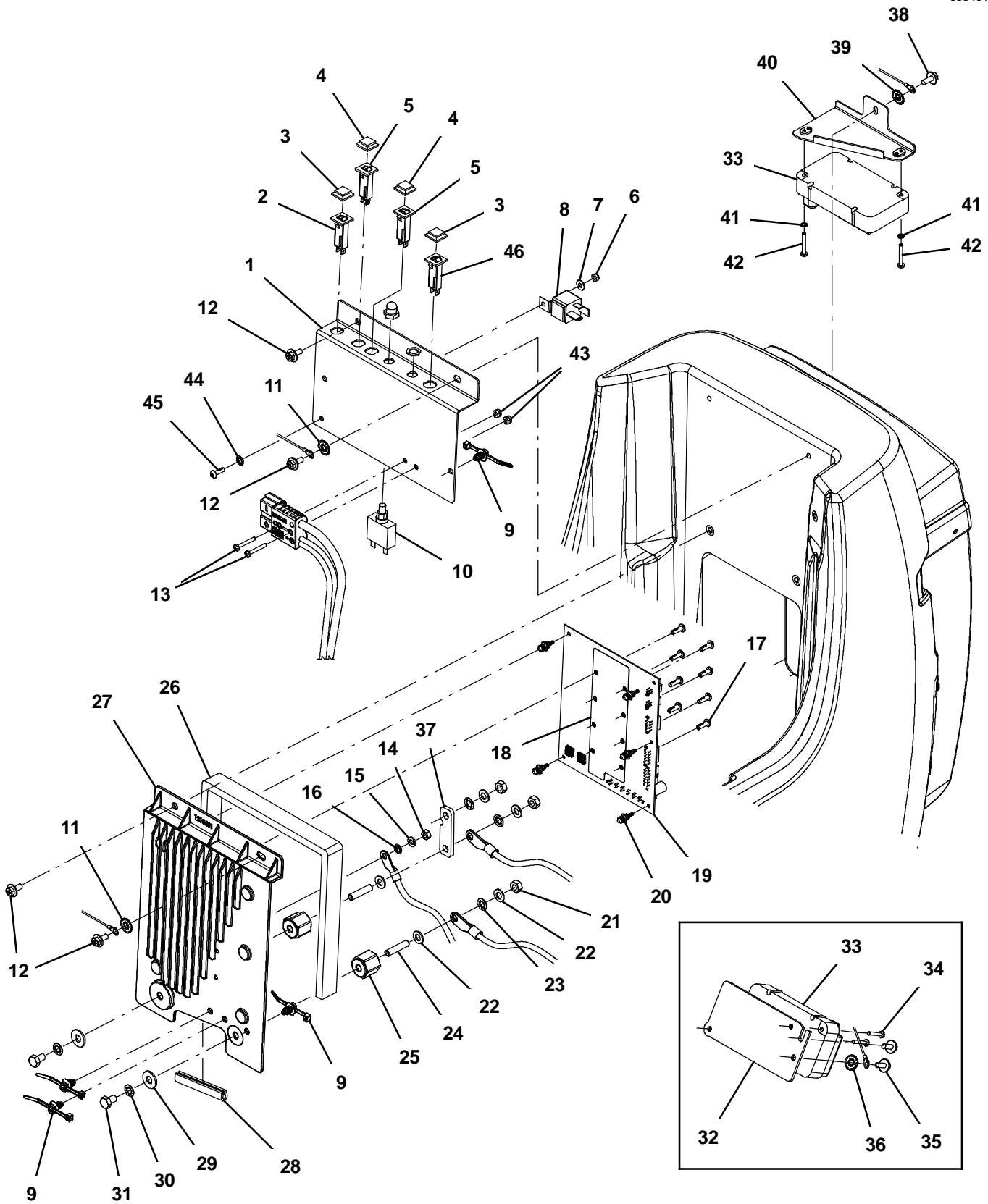


## ELECTRICAL COMPONENTS GROUP, T300e MODEL

Ref.	Part No.	Serial Number	Description	Qty.
1	9014188	(30000000-40000000)	Bracket Wldt, Afmkt, Mtg [Circuitbrkrs]	1
2	1208816	(30000000-40000000)	Circuitbreaker, 04.0a, Resetable	1
3	1064191	(30000000-40000000)	Boot, Circuitbreaker	1
4	1064191	(30000000-40000000)	Boot, Circuitbreaker (ec- H2O Option)	2
5	1208816	(30000000-40000000)	Circuitbreaker, 04.0a, Resetable (ec- H2O Option)	2
6	1064191	(30000000-40000000)	Boot, Circuitbreaker	1
7	1064189	(30000000-40000000)	Circuitbreaker, 20.0a, Resetable	1
8	09739	(30000000-40000000)	Nut, Hex, Lock, M5 X 0.80, NI, Ss (ec- H2O Option)	1
9	01683	(30000000-40000000)	Washer, Flat, 10, Ss (ec- H2O Option)	1
10	1012216	(30000000-40000000)	Relay, 24vdc, 070a, Spst No, Plug- In (ec- H2O Option)	1
11	1210807	(30000000-40000000)	Wire, Tie [W/.25" Fir Tree Clip]	4
12	383725	(30000000-40000000)	Circuitbreaker, 30.0a, Resetable (Propel Model)	1
13	1074526	(30000000-40000000)	Circuitbreaker, 37.0a	1
14	41140	(30000000-40000000)	Washer, Lock, Int- Ext, 0.25	2
15	1034731	(30000000-40000000)	Screw, Hex, M6 X 1.00 X 16, Sems, Ss	4
16	33931	(30000000-40000000)	Screw, Pan, Phl, M4 X 0.70 X 30, Ss	2
17	41361	(30000000-40000000)	Nut, Hex, Std, M8 X 1.25, Brs	2
18	1209373	(30000000-40000000)	Washer, Flat, M8.4b X 16d X 1.6, Brs	4
19	43952	(30000000-40000000)	Washer, Lock, Int, 0.31, Ss	2
20	607461	(30000000-40000000)	Screw, Set, M8 X 1.25 X 35, NI	2
21	1205345	(30000000-40000000)	Stand- Off, Wir, M8, Insulator, Panel	2
22	09739	(30000000-40000000)	Nut, Hex, Lock, M5 X 0.80, NI, Ss	2
23	01684	(30000000-40000000)	Washer, Flat, 0.27b 0.69d .05, Ss	2
24	1066409	(30000000-40000000)	Relay, 24vdc, 150a, No [Trombetta]	1
25	1208619	(30000000-40000000)	Bracket Wldt, Mtg, Ele	1
26	1020174	(30000000-40000000)	Molding, Afmkt, Trim, Pvc, .08 .11, 03ft	1
27	01685	(30000000-40000000)	Washer, Flat, 0.38b 0.88d .08, Ss	2
28	32984	(30000000-40000000)	Washer, Lock, Int, 0.31	2
29	386868	(30000000-40000000)	Screw, Hex, M8 X 1.25 X 12, Ss	2
30	1210078	(30000000-30056701)	Bracket Wldt, Drive (Propel Model)	1
31	9014613	(30000000-40000000)	Controller Kit, Spd, Ci [T300/E/Ss300] (Propel Model)	1
32	04403	(30000000-30056701)	Screw, Pan, Phl, M4 X 0.70 X 25, NI, Ss (Propel Model)	2
33	1034731	(30000000-30056701)	Screw, Hex, M6 X 1.00 X 16, Sems, Ss (Propel Model)	2
34	41140	(30000000-30056701)	Washer, Lock, Int- Ext, 0.25 (Propel Model)	1
35	09739	(30000000-40000000)	Nut, Hex, Lock, M5 X 0.80, NI, Ss	2
36	01683	(30000000-40000000)	Washer, Flat, 10, Ss	2
37	1012216	(30000000-40000000)	Relay, 24vdc, 070a, Spst No, Plug- In	2
38	1208628	(30000000-40000000)	Gasket, Cover, Circuitboard	1
39	1034731	(30056702-40000000)	Screw, Hex, M6 X 1.00 X 16, Sems, Ss	1
40	41140	(30056702-40000000)	Washer, Lock, Int- Ext, 0.25	1
41	1223824	(30056702-40000000)	Bracket Wldt, Mtg, Cntrl, [T300/T300e]	1
42	02938	(30056702-40000000)	Washer, Lock, Int, 08, Ss	2
43	33931	(30056702-40000000)	Screw, Pan, Phl, M4 X 0.70 X 30, Ss	2

ELECTRICAL COMPONENTS GROUP, T300 MODEL

355401



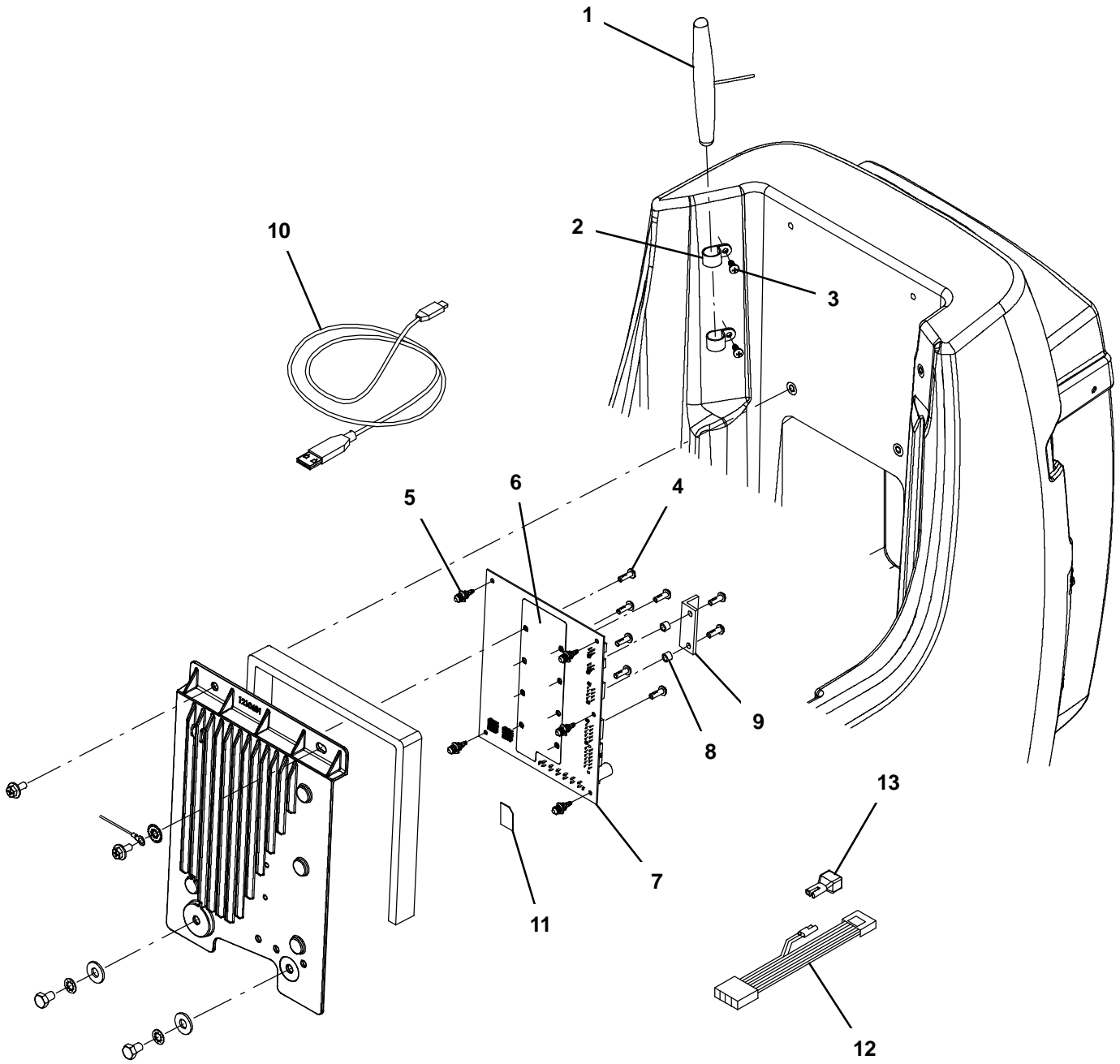


## ELECTRICAL COMPONENTS GROUP, T300 MODEL

Ref.	Part No.	Serial Number	Description	Qty.
1	9014188	(30000000-40000000)	) Bracket Wldt, Afmkt, Mtg [Circuitbrkrs]	1
2	1208816	(30000000-40000000)	) Circuitbreaker, 04.0a, Resetable	1
3	1064191	(30000000-40000000)	) Boot, Circuitbreaker	2
4	1064191	(30000000-40000000)	) Boot, Circuitbreaker (ec- H2O Option)	2
5	1208816	(30000000-40000000)	) Circuitbreaker, 04.0a, Resetable (ec- H2O Option)	2
6	09739	(30000000-40000000)	) Nut, Hex, Lock, M5 X 0.80, NI, Ss (ec- H2O Option)	1
7	01683	(30000000-40000000)	) Washer, Flat, 10, Ss (ec- H2O Option)	1
8	1012216	(30000000-40000000)	) Relay, 24vdc, 070a, Spst No, Plug- In (ec- H2O Option)	1
9	1210807	(30000000-40000000)	) Wire, Tie [W/.25" Fir Tree Clip]	4
10	383725	(30000000-40000000)	) Circuitbreaker, 30.0a, Resetable (Propel Model)	1
11	41140	(30000000-40000000)	) Washer, Lock, Int- Ext, 0.25	2
12	1034731	(30000000-40000000)	) Screw, Hex, M6 X 1.00 X 16, Sems, Ss	4
13	33931	(30000000-40000000)	) Screw, Pan, Phl, M4 X 0.70 X 30, Ss	2
14	1061910	(30000000-40000000)	) Nut, Hex, Std, M6 X 1.00, Brs	1
15	1061918	(30000000-40000000)	) Washer, Flat, 0.25b 0.47d .06, Brs	1
16	07515	(30000000-40000000)	) Washer, Lock, Int, 0.25, Ss	1
17	1205799	(30000000-40000000)	) Screw, Btn, M5 X 0.8 X 16, 8.8, NI, Torx	8
18	1210381	(30000000-40000000)	) Circuitboard, Silpad [Vw, Lower]	1
19	1210736	(30000000-40000000)	) Circuitboard, Assy [Vw, Controller]	1
20	1209448	(30000000-40000000)	) Standoff, Circuitboard, .25	5
21	41361	(30000000-40000000)	) Nut, Hex, Std, M8 X 1.25, Brs	3
22	1209373	(30000000-40000000)	) Washer, Flat, M8.4b X 16d X 1.6, Brs	5
23	43952	(30000000-40000000)	) Washer, Lock, Int, 0.31, Ss	3
24	607461	(30000000-40000000)	) Screw, Set, M8 X 1.25 X 35, NI	2
25	1205345	(30000000-40000000)	) Stand- Off, Wir, M8, Insulator, Panel	2
26	1208628	(30000000-40000000)	) Gasket, Cover, Circuitboard	1
27	1210631	(30000000-40000000)	) Heatsink, Mtg, Circuitboard, 12.1 X 08.6	1
28	1020174	(30000000-40000000)	) Molding, Afmkt, Trim, Pvc, .08 .11, 03ft	1
29	01685	(30000000-40000000)	) Washer, Flat, 0.38b 0.88d .08, Ss	2
30	32984	(30000000-40000000)	) Washer, Lock, Int, 0.31	2
31	386868	(30000000-40000000)	) Screw, Hex, M8 X 1.25 X 12, Ss	2
32	1210078	(30000000-30056701)	) Bracket Wldt, Drive (Propel Model)	1
33	9014613	(30000000-40000000)	) Controller Kit, Spd, Ci [T300/E/Ss300] (Propel Model)	1
34	04403	(30000000-30056701)	) Screw, Pan, Phl, M4 X 0.70 X 25, NI, Ss (Propel Model)	2
35	1034731	(30000000-30056701)	) Screw, Hex, M6 X 1.00 X 16, Sems, Ss (Propel Model)	2
36	41140	(30000000-30056701)	) Washer, Lock, Int- Ext, 0.25 (Propel Model)	1
37	1212780	(30000000-40000000)	) Busbar, 125a 0.188 0.750w 2.638l	1
38	1034731	(30056702-40000000)	) Screw, Hex, M6 X 1.00 X 16, Sems, Ss	1
39	41140	(30056702-40000000)	) Washer, Lock, Int- Ext, 0.25	1
40	1223824	(30056702-40000000)	) Bracket Wldt, Mtg, Cntrl, [T300/T300e]	1
41	02938	(30056702-40000000)	) Washer, Lock, Int, 08, Ss	2
42	33931	(30056702-40000000)	) Screw, Pan, Phl, M4 X 0.70 X 30, Ss	2
43	02850	(30000000-40000000)	) Nut, Hex, Lock, M4 X 0.70, NI	2
44	07515	(30000000-40000000)	) Washer, Lock, Int, 0.25, Ss	1
45	1205799	(30000000-40000000)	) Screw, Btn, M5 X 0.8 X 16, 8.8, NI, Torx	1
46	1064189	(30000000-40000000)	) Circuitbreaker, 20.0a, Resetable	1

TELEMETRY GROUP, T300 MODEL

355321



## TELEMETRY GROUP, T300 MODEL

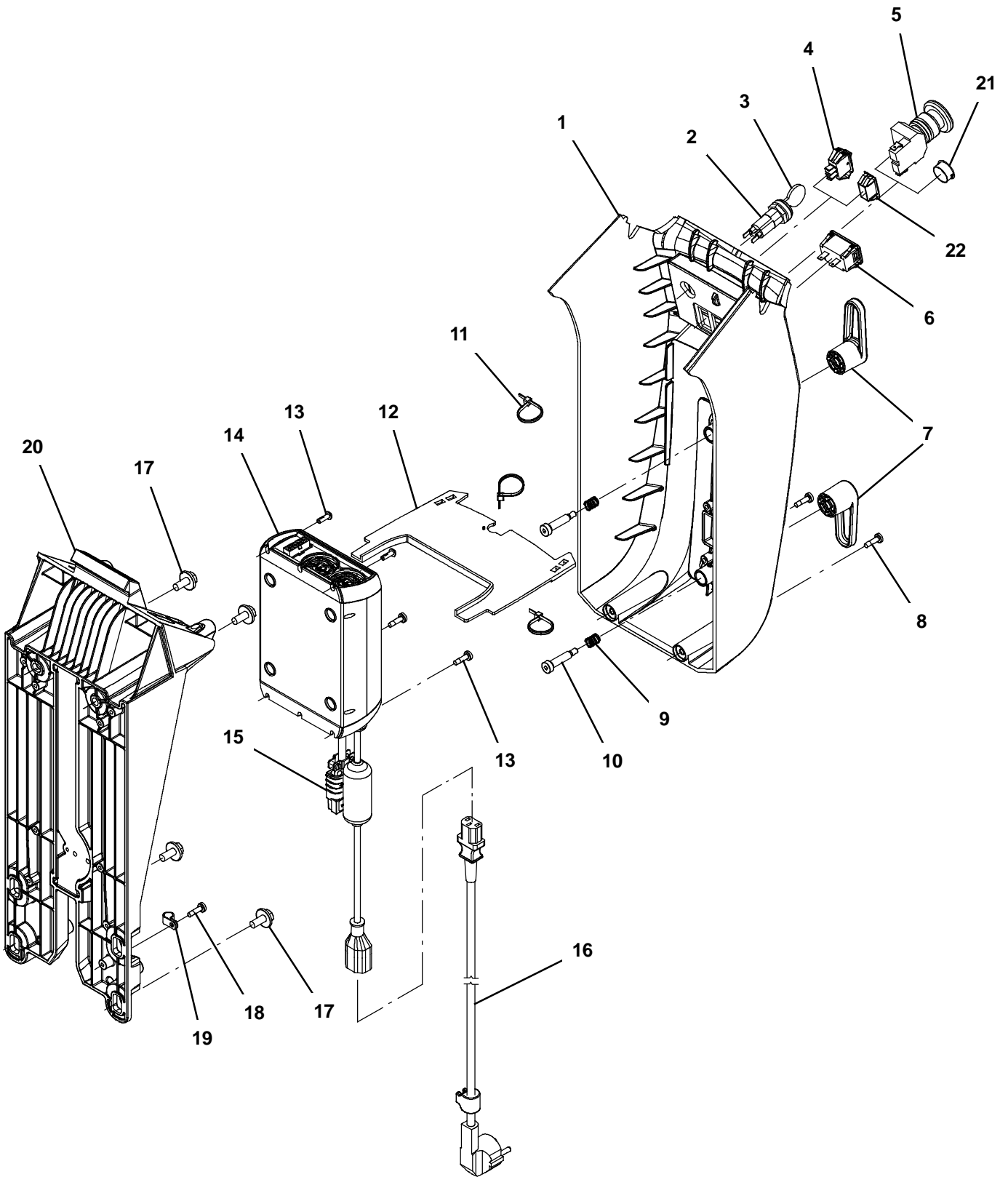
Ref.	Part No.	Serial Number	Description	Qty.
1	315724	(30000000-40000000)	Cs, Antenna, Telem, 18.0 In [Gprs]	1
	768531	(30000000-40000000)	Sleeve, Heatshrink, 0.38id, 06.0l	1
2	140916	(30000000-40000000)	Clamp, Cable, Nyl, 0.62d, Nat	2
3	1018155	(30000000-40000000)	Screw, Pan, Phl, M5 X 0.80 X 16, Tcut, Ss	2
4	1205799	(30000000-40000000)	Screw, Btn, M5 X 0.8 X 16, 8.8, NI, Torx	9
5	1209448	(30000000-40000000)	Standoff, Circuitboard, .25	5
6	1210381	(30000000-40000000)	Circuitboard, Silpad [Vw, Lower]	1
▽	7	9014185	(30000000-40000000) Kit, Circuitboard, Telem, Ci [T300]	1
▲		27964	(30000000-40000000) Strap, Ground, Static, Disposable	1
▲		130773	(30000000-40000000) Tie, Cable, Nyl, 11.0l, .14w, 3.0 Max. D	2
▲	8	1227815	(30000000-40000000) Spacer, Unthreaded, Aluminium	2
▲	9	1227812	(30000000-40000000) Bracket, Sma Connector	1
▲	10	1071235	(30000000-40000000) Cable [Usb, 2m, A- Male To Mini- B- Male]	1
	11	9014187	(30000000-40000000) Kit, Telem, Ci [Sim, Intl, T300]	1
▽		9015197	(30000000-40000000) Harness Kit, Amii, Ci [T300]	1
▲	12	1075195	(30000000-40000000) Harness, Ele, Adaptor [T300, Am2]	1
▲	13	222290	(30000000-40000000) Diode, Ele, Plug	1

▽ ASSEMBLY

▲ INCLUDED IN ASSEMBLY

LOWER CONSOLE GROUP, ON-BOARD CHARGER

355377



LOWER CONSOLE GROUP, ON-BOARD CHARGER

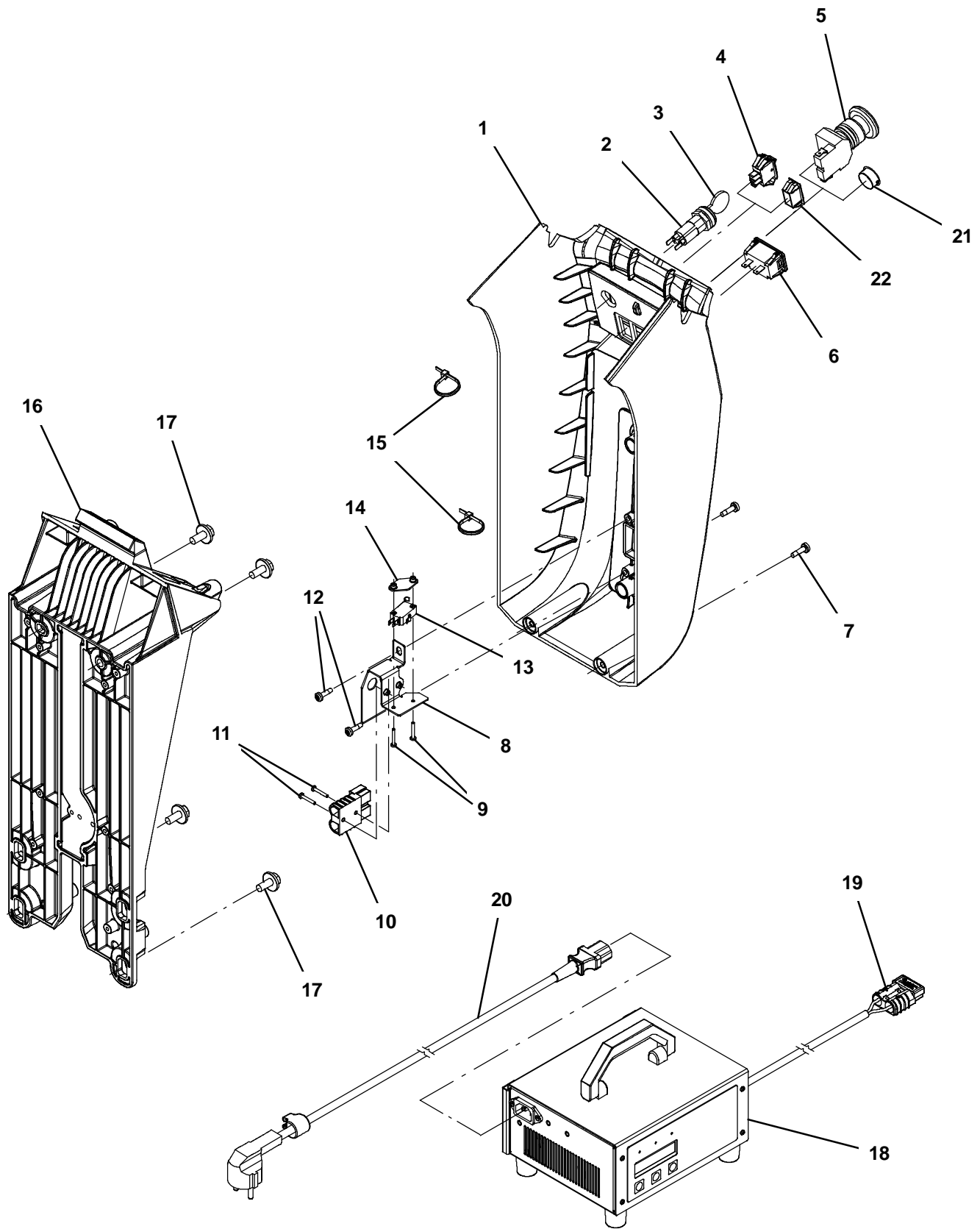
Ref.	Part No.	Serial Number	Description	Qty.
	1	9012791	(30000000-40000000 ) Cover, Console, Afmkt, W/ Label [Ce]	1
▽	2	1011402	(30000000-40000000 ) Switch, Key	1
▲	3	1017696	(30000000-40000000 ) Key Set, Replmt [F/ Keyswitch 1011402]	1
	4	1044393	(30000000-40000000 ) Switch, Rocker, Spst Mom (ec- H2O Option)	1
	5	1011735	(30000000-40000000 ) Switch, Safety, Shutoff (Propel Model)	1
	6	1064038	(30000000-40000000 ) Gauge, Hourmeter, 05- 277 Volt, Ac / Dc	1
	7	1205496	(30000000-40000000 ) Hook, Cord	2
	8	1043573	(30056121-40000000 ) Screw, #10- 14 X 0.675, Spl[Shcs,Selftap]	2
	8	1205799	(30000000-30056120 ) Screw, Btn, M5 X 0.8 X 16, 8.8, NI, Torx	2
	9	611311	(30000000-40000000 ) Spring, Cmpr, 0.40od .05wir 00.5l, Pl,Mw	2
	10	1024965	(30000000-40000000 ) Bolt, Shld, 08mmd X 030mm, M06 X 1.0	2
	11	130773	(30000000-40000000 ) Tie, Cable, Nyl, 11.0l, .14w, 3.0 Max. D	3
	12	1211582	(30000000-40000000 ) Cover, Chrgr [Small Spe]	1
	13	1043573	(30056121-40000000 ) Screw, #10- 14 X 0.675, Spl[Shcs,Selftap]	4
	13	1205799	(30000000-30056120 ) Screw, Btn, M5 X 0.8 X 16, 8.8, NI, Torx	4
▽	14	1225097	(30000000-40000000 ) Charger, 24vdc, 100- 240vac, On- Brd, Pse (Japan Only)	1
▲	15	605387	(30000000-40000000 ) Connector, Anderson, 050a, Red [W/O Con]	1
	16	1019426	(30000000-40000000 ) Cord, Chrgr, Ele, Tj (Japan)	1
▽	14	1219737	(30000000-40000000 ) Charger, 24vdc, 100- 240vac, On- Brd, Intl	1
▲	15	605387	(30000000-40000000 ) Connector, Anderson, 050a, Red [W/O Con]	1
	16	1026330	(30000000-40000000 ) Cord, Power, 1.0mm2 [2.5meter] (China)	1
	16	1026325	(30000000-40000000 ) Cord, Power, 1.0mm2/3 Blk[2.5meter, Aus]	1
	16	1048304	(30000000-40000000 ) Cord, Power [4.5meter, India, S.Africa]	1
	16	1032849	(30000000-40000000 ) Cord, Power, Blk [4.5meter, Ce]	1
	17	1020341	(30000000-40000000 ) Screw, Hex, M8 X 1.25 X 20, Ss, Sems	4
	18	1043573	(30056121-40000000 ) Screw, #10- 14 X 0.675, Spl[Shcs,Selftap]	1
	18	1205799	(30000000-30056120 ) Screw, Btn, M5 X 0.8 X 16, 8.8, NI, Torx	1
	19	26395- 2	(30000000-40000000 ) Clamp, Cable, Stl, 0.38d X 0.38w, 1hole	1
	20	1211903	(30056121-40000000 ) Frame, Column, Cntrl [Im]	1
	20	1216531	(30000000-30056120 ) Frame, Column, Cntrl [Revised Machined]	1
	21	130161	(30000000-40000000 ) Plug, Hole, Rnd, 0.88d, Blk (Push Model)	1
	22	582150	(30000000-40000000 ) Plug, Hole, Rt, 1.23 X 1.12, Nyl (Standard Model)	1

▽ ASSEMBLY

▲ INCLUDED IN ASSEMBLY

LOWER CONSOLE GROUP, OFF-BOARD CHARGER

355378



LOWER CONSOLE GROUP, OFF- BOARD CHARGER

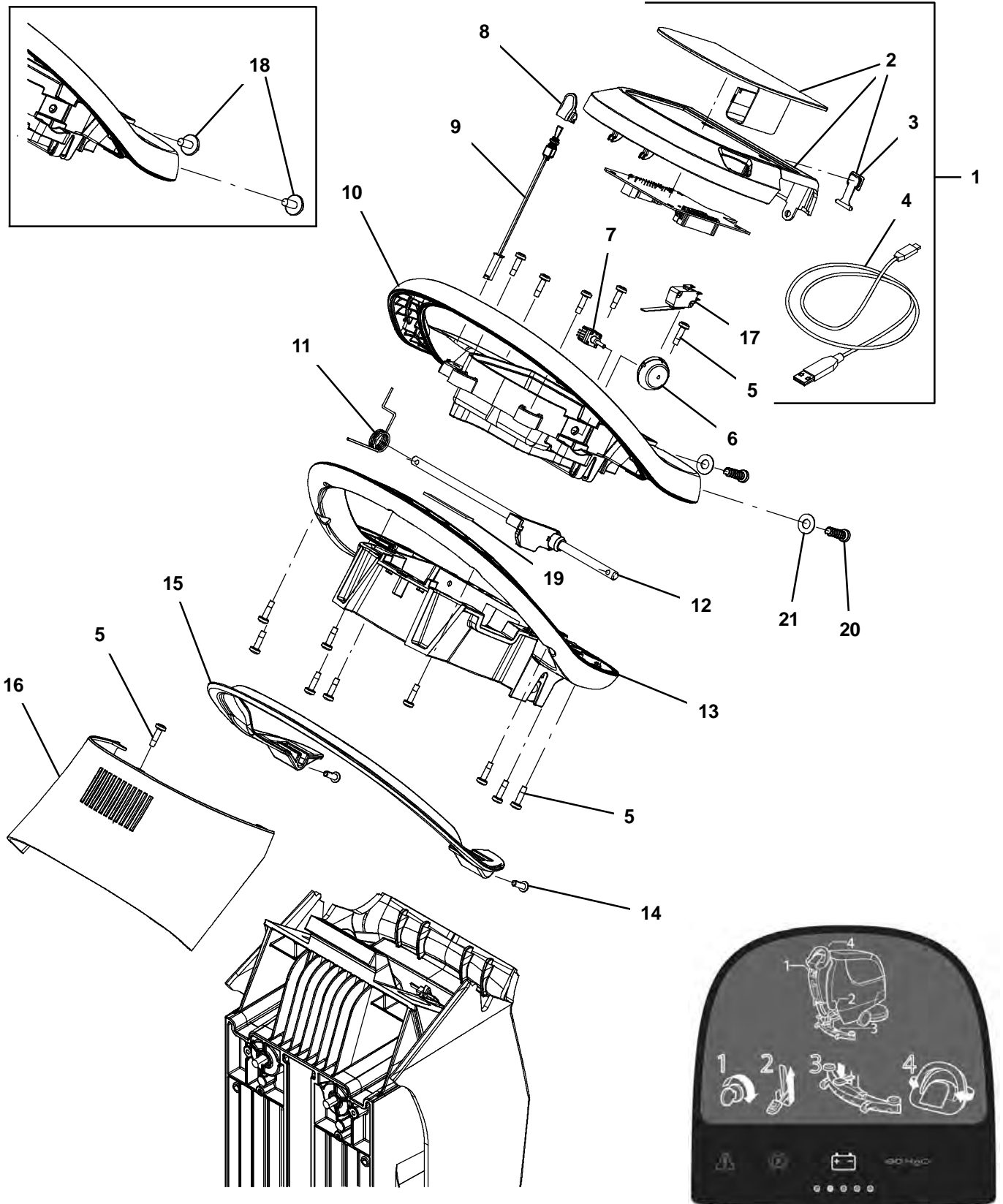
Ref.	Part No.	Serial Number	Description	Qty.
	1	9012791	(30000000- 40000000 ) Cover, Console, Afmkt, W/ Label [Ce]	1
▽	2	1011402	(30000000- 40000000 ) Switch, Key	1
▲	3	1017696	(30000000- 40000000 ) Key Set, Replmt [F/ Keyswitch 1011402]	1
	4	1044393	(30000000- 40000000 ) Switch, Rocker, Spst Mom (ec- H2O Option)	1
	5	1011735	(30000000- 40000000 ) Switch, Safety, Shutoff (Propel Model)	1
	6	1064038	(30000000- 40000000 ) Gauge, Hourmeter, 05- 277 Volt, Ac / Dc	1
	7	1043573	(30056121- 40000000 ) Screw, #10- 14 X 0.675, Spl[Shcs,Selftap]	2
	7	1205799	(30000000- 30056120 ) Screw, Btn, M5 X 0.8 X 16, 8.8, NI, Torx	2
	8	1208599	(30000000- 40000000 ) Bracket Assy, Plug, Charger	1
	9	06922	(30000000- 40000000 ) Screw, Pan, Phl, M3 X 0.50 X 20, 4.8	2
	10	605387	(30000000- 40000000 ) Connector, Anderson, 050a, Red [W/O Con]	1
	11	06922	(30000000- 40000000 ) Screw, Pan, Phl, M3 X 0.50 X 20, 4.8	2
	12	1043573	(30000000- 40000000 ) Screw, #10- 14 X 0.675, Spl[Shcs,Selftap]	2
	13	1215716	(30000000- 40000000 ) Switch, 0.1a, Spdt[Micro, Gold Contacts]	1
	14	1013705	(30000000- 40000000 ) Plate, Thread, Switch, M3 Nut, 96hr PI	1
	15	130773	(30000000- 40000000 ) Tie, Cable, Nyl, 11.0l, .14w, 3.0 Max. D	2
	16	1211903	(30056121- 40000000 ) Frame, Column, Cntrl [Im]	1
	16	1216531	(30000000- 30056120 ) Frame, Column, Cntrl [Revised Machined]	1
	17	1020341	(30000000- 40000000 ) Screw, Hex, M8 X 1.25 X 20, Ss, Sems	4
▽	18	1212837	(30000000- 40000000 ) Charger, 24vdc, 13a 85- 265vac [Offboard]	1
▲	19	605387	(30000000- 40000000 ) Connector, Anderson, 050a, Red [W/O Con]	1
	20	1032849	(30000000- 40000000 ) Cord, Power, Blk [4.5meter, Ce]	1
	20	1019426	(30000000- 40000000 ) Cord, Chrgr, Ele, Tj (Japan)	1
	20	1026330	(30000000- 40000000 ) Cord, Power, 1.0mm2 [2.5meter] (China)	1
	20	1026325	(30000000- 40000000 ) Cord, Power, 1.0mm2/3 Blk[2.5meter, Aus]	1
	20	1048304	(30000000- 40000000 ) Cord, Power [4.5meter, India, S.Africa]	1
	21	130161	(30000000- 40000000 ) Plug, Hole, Rnd, 0.88d, Blk (Push Model)	1
	22	582150	(30000000- 40000000 ) Plug, Hole, Rt, 1.23 X 1.12, Nyl (Standard Model)	1

▽ ASSEMBLY

▲ INCLUDED IN ASSEMBLY

HANDLE GROUP, T300e MEMBRANE, PROPEL

355326





HANDLE GROUP, T300e MEMBRANE, PROPEL

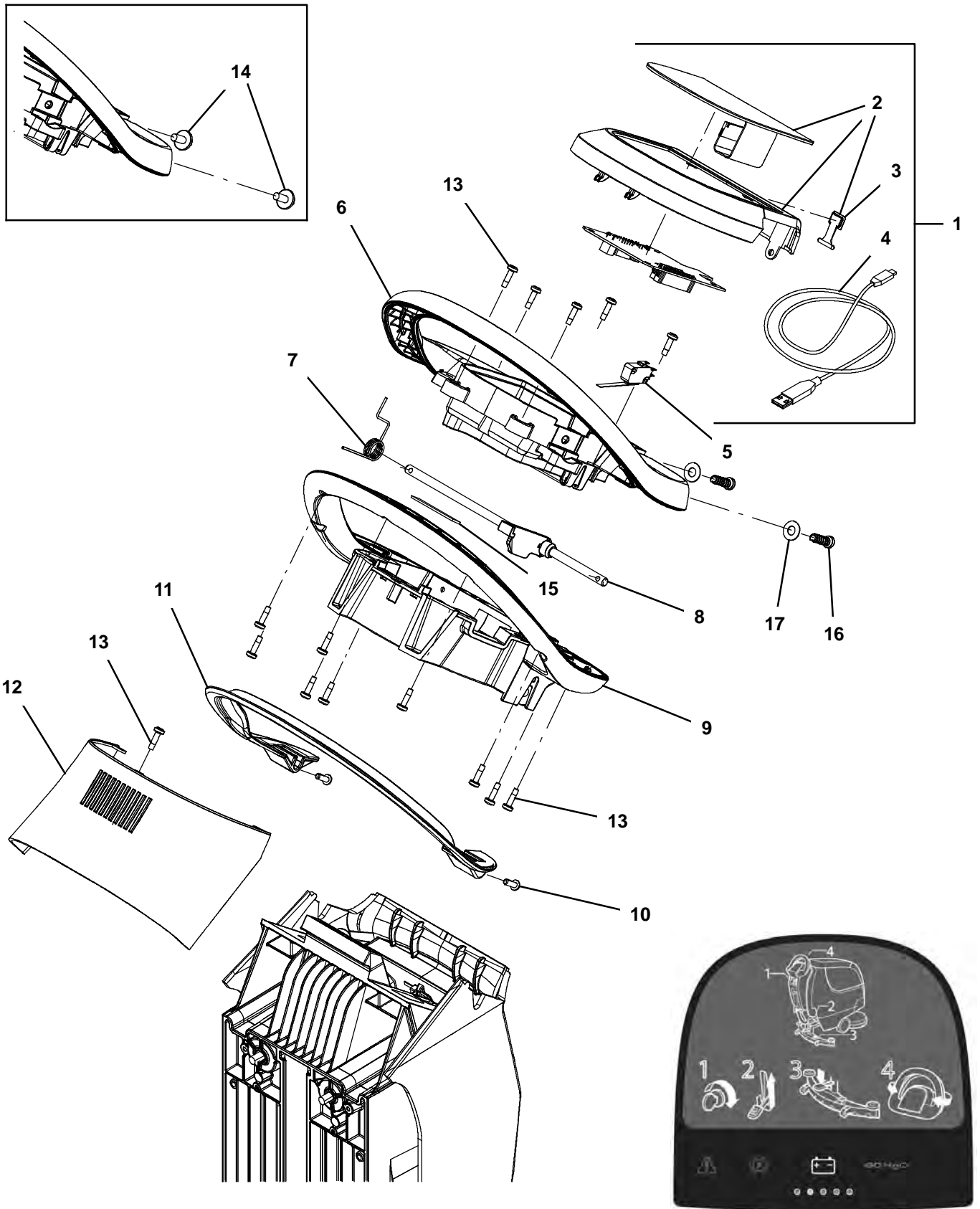
Ref.	Part No.	Serial Number	Description	Qty.
▽	1	9014131	(30000000- 40000000 ) Bezel Kit, Propel, Membrane, Ci [T300e/S (Kit Includes Circuitboard)	1
▲▽	2	9014137	(30000000- 40000000 ) Screen Kit, Propel, Memb., Ci [T300e/Ss]	1
▲▲	3	1205618	(30000000- 40000000 ) Cap, Usb	1
▲	4	1071235	(30000000- 40000000 ) Cable [Usb, 2m, A- Male To Mini- B- Male]	1
	5	1043573	(30000000- 40000000 ) Screw, #10- 14 X 0.675, Spl[Shcs,Selftap]	15
	6	1206586	(30000000- 40000000 ) Dial, Range, Speed	1
	7	1204930	(30000000- 40000000 ) Potentiometer [100k, 1 Turn, B5/B7]	1
	8	1209730	(30000000- 40000000 ) Cap, Toggle, Direction	1
	9	1209673	(30000000- 40000000 ) Switch Assy, Toggle, Direction	1
	10	1203787	(30000000- 40000000 ) Housing, Handle, Cntrl, Top	1
	11	1205781	(30000000- 40000000 ) Spring, Return, Bail	1
	12	1205143	(30000000- 40000000 ) Shaft Assy, Bail, Handle	1
	13	1222608	(30000000- 40000000 ) Housing, Handle, Cntrl, Bottom, Slotted	1
	14	1205799	(30000000- 40000000 ) Screw, Btn, M5 X 0.8 X 16, 8.8, NI, Torx	2
	15	1205778	(30000000- 40000000 ) Handle, Bail [Machined]	1
	16	9015305	(30000000- 40000000 ) Cover Kit, Handle, Cntrl (Kit Includes Label)	1
	17	1205323	(30000000- 40000000 ) Switch, 0.1a, Spdt [Micro, Straight]	1
	18	1020341	(30000000- 30056120 ) Screw, Hex, M8 X 1.25 X 20, Ss, Sems	2
	19	1020280	(30000000- 40000000 ) Seal, Afmkt, Rbr, Clsd, Adh, 01ft	1
	20	1215863	(30056121- 40000000 ) Screw, Pan, Torx, M8 X 3.5 X 25[Remform]	2
	21	140027	(30056121- 40000000 ) Washer, Flat, 0.35b 0.75d .04, Ss	2
	N/S	1072524	(30000000- 40000000 ) Harness, Ele [Bail Switch]	1

▽ ASSEMBLY

▲ INCLUDED IN ASSEMBLY

HANDLE GROUP, T300e MEMBRANE, PUSH

355327



## HANDLE GROUP, T300e MEMBRANE, PUSH

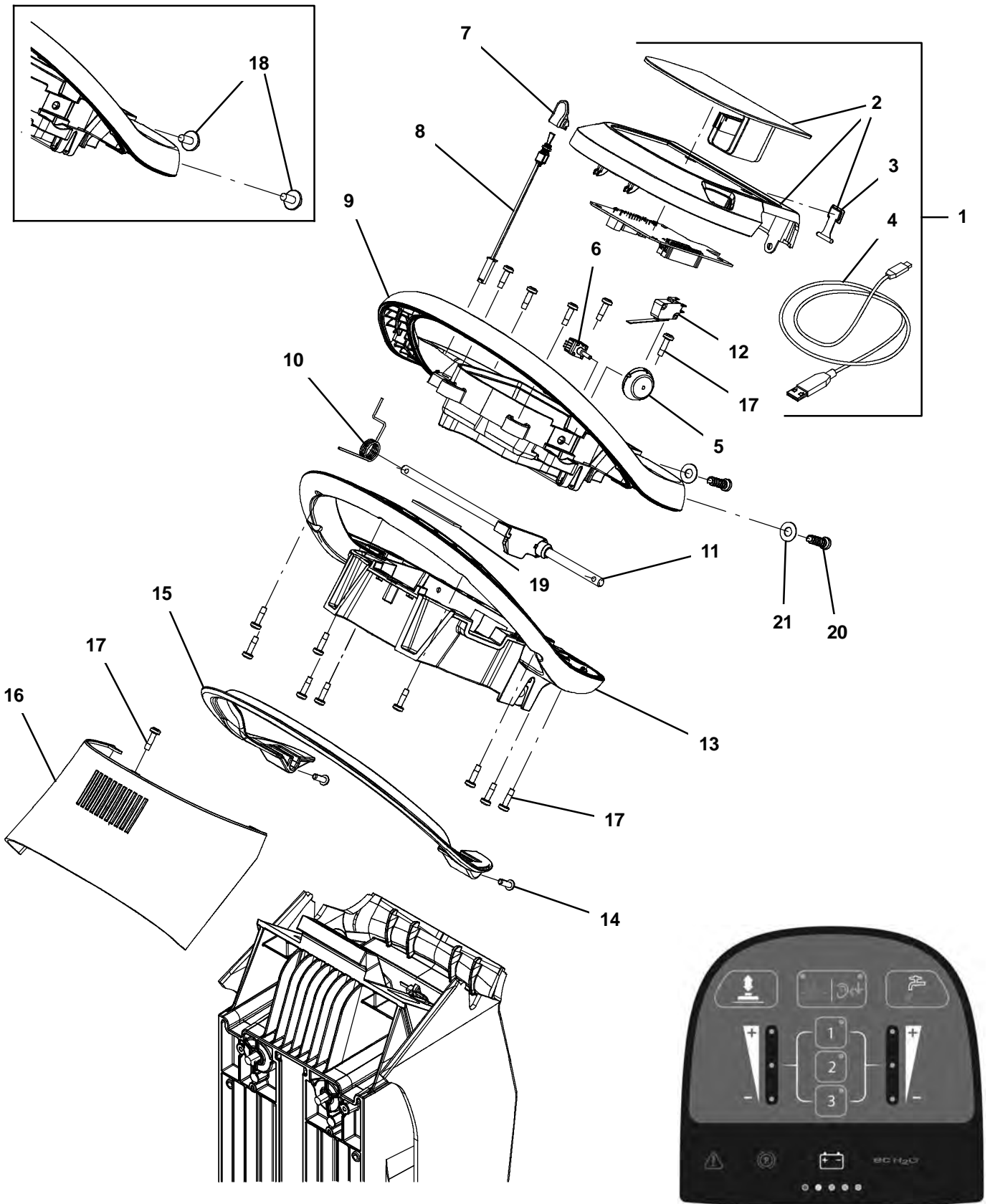
Ref.	Part No.	Serial Number	Description	Qty.
▽	1	9014130	(30000000- 40000000 ) Bezel Kit, Push, Membrane, Ci [T300e/Ss] (Kit Includes Circuitboard)	1
▲▽	2	9014136	(30000000- 40000000 ) Screen Kit, Push, Memb., Ci [T300e/Ss]	1
▲▲	3	1205618	(30000000- 40000000 ) Cap, Usb	1
▲	4	1071235	(30000000- 40000000 ) Cable [Usb, 2m, A- Male To Mini- B- Male]	1
	5	1205323	(30000000- 40000000 ) Switch, 0.1a, Spdt [Micro, Straight]	1
	6	1203787	(30000000- 40000000 ) Housing, Handle, Cntrl, Top	1
	7	1205781	(30000000- 40000000 ) Spring, Return, Bail	1
	8	1205143	(30000000- 40000000 ) Shaft Assy, Bail, Handle	1
	9	1222608	(30000000- 40000000 ) Housing, Handle, Cntrl, Bottom, Slotted	1
	10	1205799	(30000000- 40000000 ) Screw, Btn, M5 X 0.8 X 16, 8.8, NI, Torx	2
	11	1205778	(30000000- 40000000 ) Handle, Bail [Machined]	1
	12	9015305	(30000000- 40000000 ) Cover Kit, Handle, Cntrl (Kit Includes Label)	1
	13	1043573	(30000000- 40000000 ) Screw, #10- 14 X 0.675, Spl[Shcs,Selftap]	15
	14	1020341	(30000000- 30056120 ) Screw, Hex, M8 X 1.25 X 20, Ss, Sems	2
	15	1020280	(30000000- 40000000 ) Seal, Afmkt, Rbr, Clsd, Adh, 01ft	1
	16	1215863	(30056121- 40000000 ) Screw, Pan, Torx, M8 X 3.5 X 25[Remform]	2
	17	140027	(30056121- 40000000 ) Washer, Flat, 0.35b 0.75d .04, Ss	2
	N/S	1072524	(30000000- 40000000 ) Harness, Ele [Bail Switch]	1

▽ ASSEMBLY

▲ INCLUDED IN ASSEMBLY

HANDLE GROUP, T300 PRO-MEMBRANE, PROPEL, ACTUATED DOWN PRESSURE

355324



**HANDLE GROUP, T300 PRO-MEMBRANE, PROPEL, ACTUATED DOWN PRESSURE**

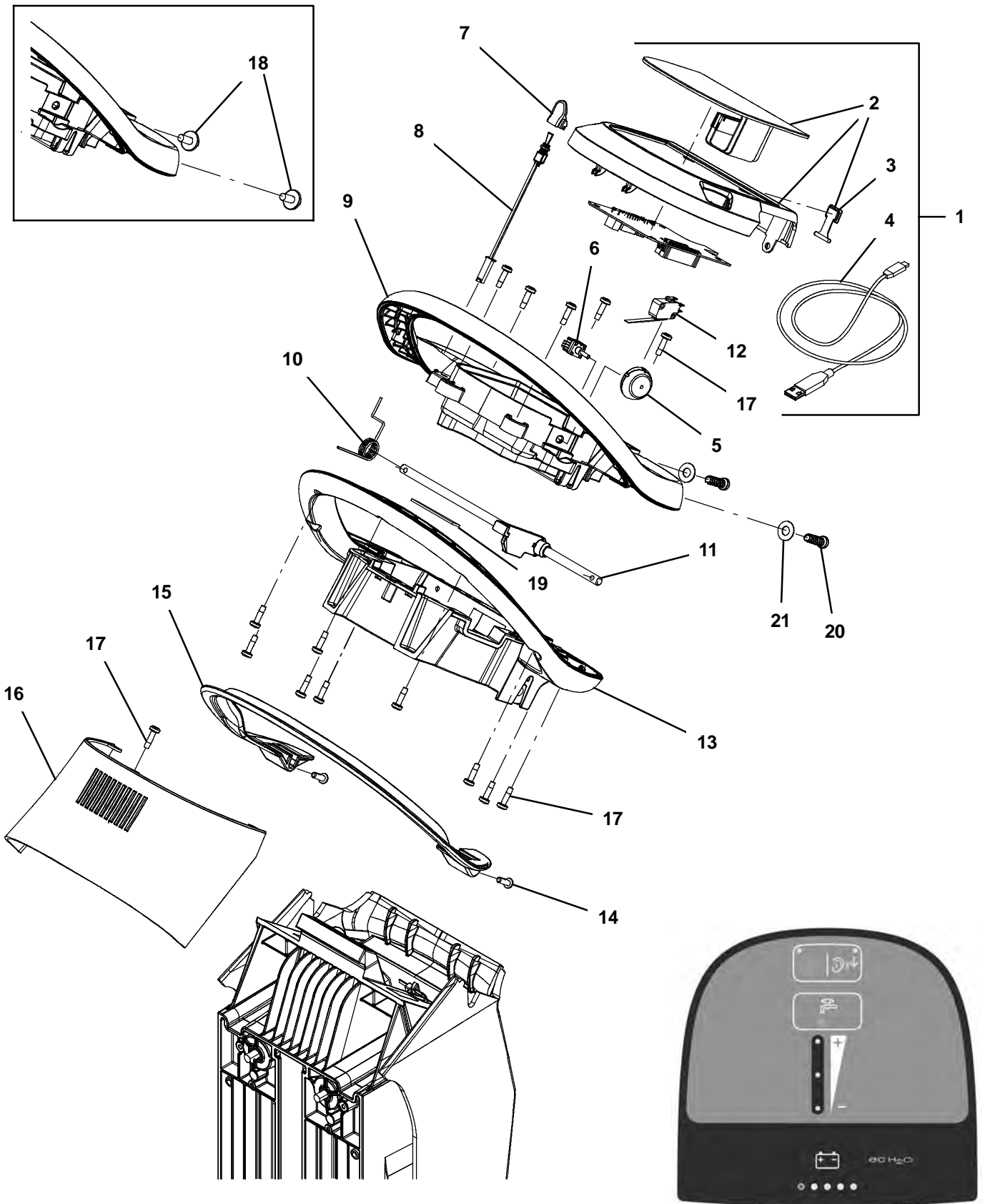
Ref.	Part No.	Serial Number	Description	Qty.
▽	1	9014133	(30000000- 40000000 ) Bezel Kit, Propel, Promembrane, Ci[T300] (Kit Includes Circuitboard)	1
▲▽	2	9014139	(30000000- 40000000 ) Screen Kit, Propel, Pro- Membrn, Ci[T300]	1
▲▲	3	1205618	(30000000- 40000000 ) Cap, Usb	1
▲	4	1071235	(30000000- 40000000 ) Cable [Usb, 2m, A- Male To Mini- B- Male]	1
	5	1206586	(30000000- 40000000 ) Dial, Range, Speed	1
	6	1204930	(30000000- 40000000 ) Potentiometer [100k, 1 Turn, B5/B7]	1
	7	1209730	(30000000- 40000000 ) Cap, Toggle, Direction	1
	8	1209673	(30000000- 40000000 ) Switch Assy, Toggle, Direction	1
	8	1203787	(30000000- 40000000 ) Housing, Handle, Cntrl, Top	1
	10	1205781	(30000000- 40000000 ) Spring, Return, Bail	1
	11	1205143	(30000000- 40000000 ) Shaft Assy, Bail, Handle	1
	12	1205323	(30000000- 40000000 ) Switch, 0.1a, Spdt [Micro, Straight]	1
	13	1222608	(30000000- 40000000 ) Housing, Handle, Cntrl, Bottom, Slotted	1
	14	1205799	(30000000- 40000000 ) Screw, Btn, M5 X 0.8 X 16, 8.8, NI, Torx	2
	15	1205778	(30000000- 40000000 ) Handle, Bail [Machined]	1
	16	9015305	(30000000- 40000000 ) Cover Kit, Handle, Cntrl (Kit Includes Label)	1
	17	1043573	(30000000- 40000000 ) Screw, #10- 14 X 0.675, Spl[Shcs,Selftap]	15
	18	1020341	(30000000- 30056120 ) Screw, Hex, M8 X 1.25 X 20, Ss, Sems	2
	19	1020280	(30000000- 40000000 ) Seal, Afmkt, Rbr, Clsd, Adh, 01ft	1
	20	1215863	(30056121- 40000000 ) Screw, Pan, Torx, M8 X 3.5 X 25[Remform]	2
	21	140027	(30056121- 40000000 ) Washer, Flat, 0.35b 0.75d .04, Ss	2
	N/S	1072524	(30000000- 40000000 ) Harness, Ele [Bail Switch]	1

▽ ASSEMBLY

▲ INCLUDED IN ASSEMBLY

HANDLE GROUP, T300 MEMBRANE, PROPEL, MANUAL DOWN PRESSURE

355324



**HANDLE GROUP, T300 MEMBRANE, PROPEL, MANUAL DOWN PRESSURE**

Ref.	Part No.	Serial Number	Description	Qty.
▽	1	9014815	(30000000- 40000000 ) Bezel Kit, Propel, Membrane,Std,Ci[T300] (Kit Includes Circuitboard)	1
▲▽	2	9014817	(30000000- 40000000 ) Screen Kit, Propel,Membrane,Std,Ci[T300]	1
▲▲	3	1205618	(30000000- 40000000 ) Cap, Usb	1
▲	4	1071235	(30000000- 40000000 ) Cable [Usb, 2m, A- Male To Mini- B- Male]	1
	5	1206586	(30000000- 40000000 ) Dial, Range, Speed	1
	6	1204930	(30000000- 40000000 ) Potentiometer [100k, 1 Turn, B5/B7]	1
	7	1209730	(30000000- 40000000 ) Cap, Toggle, Direction	1
	8	1209673	(30000000- 40000000 ) Switch Assy, Toggle, Direction	1
	9	1203787	(30000000- 40000000 ) Housing, Handle, Cntrl, Top	1
	10	1205781	(30000000- 40000000 ) Spring, Return, Bail	1
	11	1205143	(30000000- 40000000 ) Shaft Assy, Bail, Handle	1
	12	1205323	(30000000- 40000000 ) Switch, 0.1a, Spdt [Micro, Straight]	1
	13	1222608	(30000000- 40000000 ) Housing, Handle, Cntrl, Bottom, Slotted	1
	14	1205799	(30000000- 40000000 ) Screw, Btn, M5 X 0.8 X 16, 8.8, NI, Torx	2
	15	1205778	(30000000- 40000000 ) Handle, Bail [Machined]	1
	16	9015305	(30000000- 40000000 ) Cover Kit, Handle, Cntrl (Kit Includes Label)	1
	17	1043573	(30000000- 40000000 ) Screw, #10- 14 X 0.675, Spl[Shcs,Selftap]	15
	18	1020341	(30000000- 30056120 ) Screw, Hex, M8 X 1.25 X 20, Ss, Sems	2
	19	1020280	(30000000- 40000000 ) Seal, Afmkt, Rbr, Clsd, Adh, 01ft	1
	20	1215863	(30056121- 40000000 ) Screw, Pan, Torx, M8 X 3.5 X 25[Remform]	2
	21	140027	(30056121- 40000000 ) Washer, Flat, 0.35b 0.75d .04, Ss	2
	N/S	1072524	(30000000- 40000000 ) Harness, Ele [Bail Switch]	1

▽ ASSEMBLY

▲ INCLUDED IN ASSEMBLY





## HANDLE GROUP, T300 PRO-MEMBRANE, PUSH, ACTUATED DOWN PRESSURE

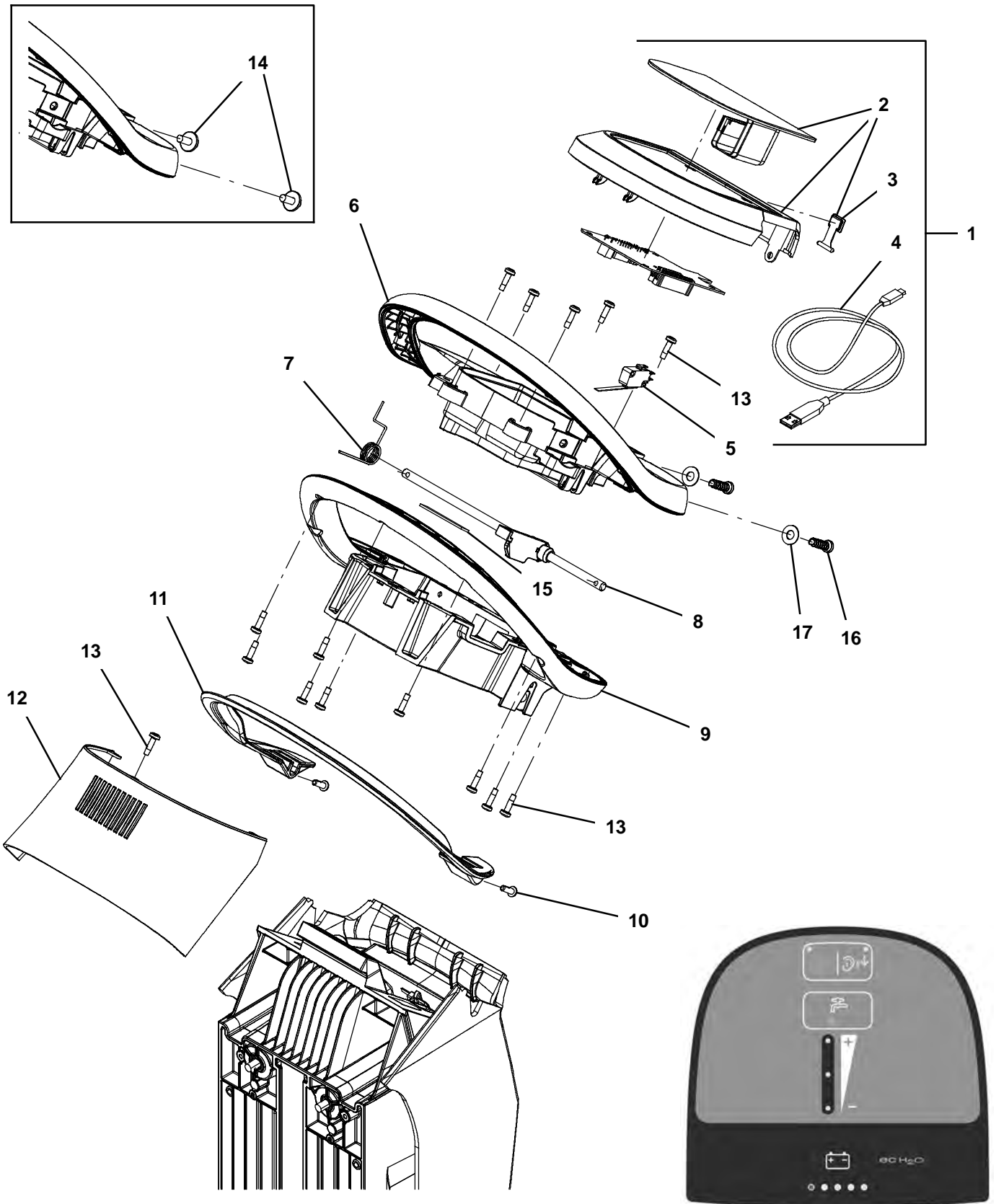
Ref.	Part No.	Serial Number	Description	Qty.
▽	1	9014132	(30000000- 40000000 ) Bezel Kit, Push, Pro- Membrane, Ci [T300] (Kit Includes Circuitboard)	1
▲▽	2	9014138	(30000000- 40000000 ) Screen Kit, Push, Pro- Membrn, Ci[T300]	1
▲▲	3	1205618	(30000000- 40000000 ) Cap, Usb	1
▲	4	1071235	(30000000- 40000000 ) Cable [Usb, 2m, A- Male To Mini- B- Male]	1
	5	1205323	(30000000- 40000000 ) Switch, 0.1a, Spdt [Micro, Straight]	1
	6	1203787	(30000000- 40000000 ) Housing, Handle, Cntrl, Top	1
	7	1205781	(30000000- 40000000 ) Spring, Return, Bail	1
	8	1205143	(30000000- 40000000 ) Shaft Assy, Bail, Handle	1
	9	1222608	(30000000- 40000000 ) Housing, Handle, Cntrl, Bottom, Slotted	1
	10	1205799	(30000000- 40000000 ) Screw, Btn, M5 X 0.8 X 16, 8.8, NI, Torx	2
	11	1205778	(30000000- 40000000 ) Handle, Bail [Machined]	1
	12	9015305	(30000000- 40000000 ) Cover Kit, Handle, Cntrl (Kit Includes Label)	1
	13	1043573	(30000000- 40000000 ) Screw, #10- 14 X 0.675, Spl[Shcs,Selftap]	15
	14	1020341	(30000000- 30056120 ) Screw, Hex, M8 X 1.25 X 20, Ss, Sems	2
	15	1020280	(30000000- 40000000 ) Seal, Afmkt, Rbr, Clsd, Adh, 01ft	1
	16	1215863	(30056121- 40000000 ) Screw, Pan, Torx, M8 X 3.5 X 25[Remform]	2
	17	140027	(30056121- 40000000 ) Washer, Flat, 0.35b 0.75d .04, Ss	2
	N/S	1072524	(30000000- 40000000 ) Harness, Ele [Bail Switch]	1

▽ ASSEMBLY

▲ INCLUDED IN ASSEMBLY

HANDLE GROUP, T300 MEMBRANE, PUSH, MANUAL DOWN PRESSURE

355325



## HANDLE GROUP, T300 MEMBRANE, PUSH, MANUAL DOWN PRESSURE

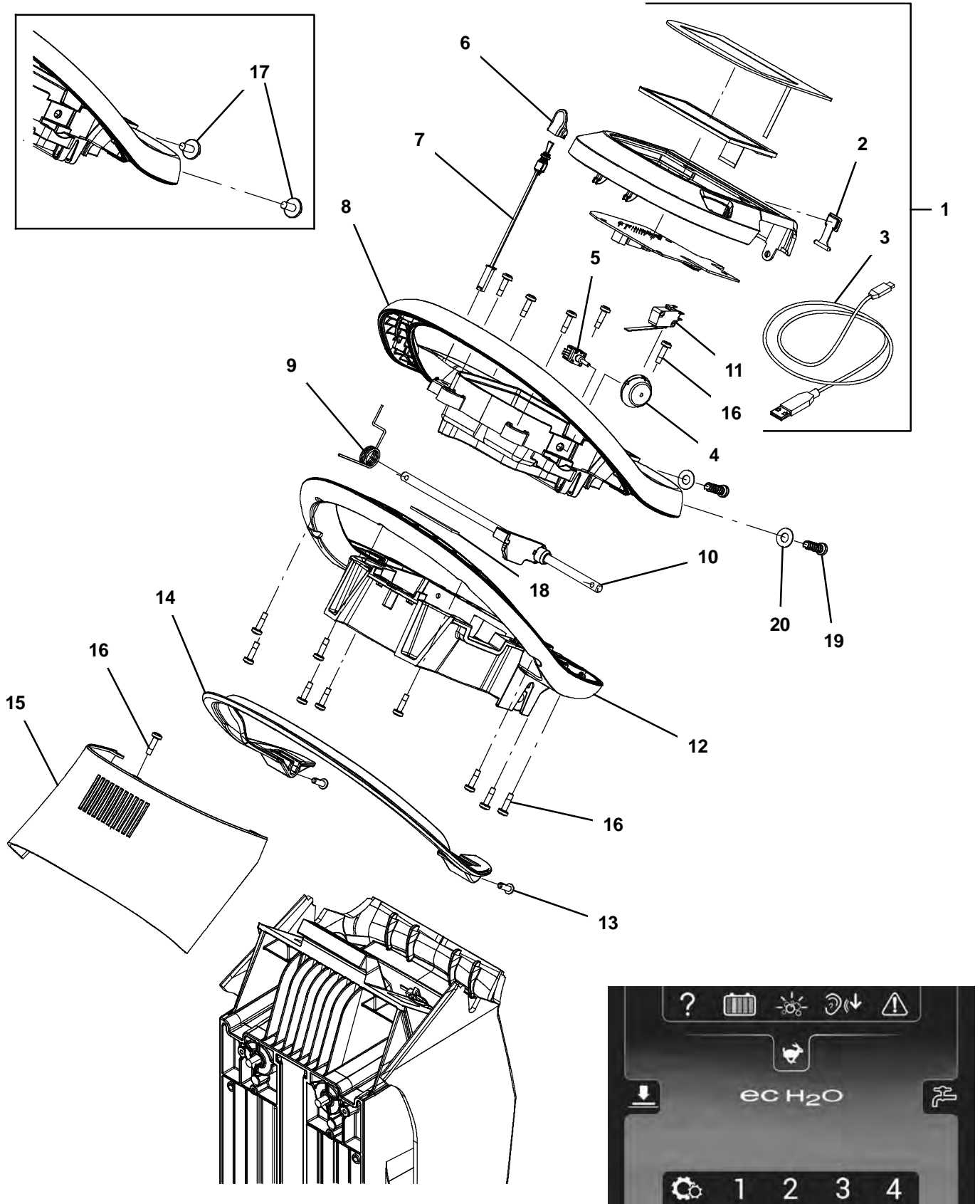
Ref.	Part No.	Serial Number	Description	Qty.
▽	1	9014814	(30000000- 40000000 ) Bezel Kit, Push, Membrane, Std, Ci[T300] (Kit Includes Circuitboard)	1
▲▽	2	9014816	(30000000- 40000000 ) Screen Kit, Push, Membrane, Std,Ci[T300]	1
▲▲	3	1205618	(30000000- 40000000 ) Cap, Usb	1
▲	4	1071235	(30000000- 40000000 ) Cable [Usb, 2m, A- Male To Mini- B- Male]	1
	5	1205323	(30000000- 40000000 ) Switch, 0.1a, Spdt [Micro, Straight]	1
	6	1203787	(30000000- 40000000 ) Housing, Handle, Cntrl, Top	1
	7	1205781	(30000000- 40000000 ) Spring, Return, Bail	1
	8	1205143	(30000000- 40000000 ) Shaft Assy, Bail, Handle	1
	9	1222608	(30000000- 40000000 ) Housing, Handle, Cntrl, Bottom, Slotted	1
	10	1205799	(30000000- 40000000 ) Screw, Btn, M5 X 0.8 X 16, 8.8, NI, Torx	2
	11	1205778	(30000000- 40000000 ) Handle, Bail [Machined]	1
	12	9015305	(30000000- 40000000 ) Cover Kit, Handle, Cntrl (Kit Includes Label)	1
	12	1043573	(30000000- 40000000 ) Screw, #10- 14 X 0.675, Spl[Shcs,Selftap]	15
	14	1020341	(30000000- 30056120 ) Screw, Hex, M8 X 1.25 X 20, Ss, Sems	2
	15	1020280	(30000000- 40000000 ) Seal, Afmkt, Rbr, Clsd, Adh, 01ft	1
	16	1215863	(30056121- 40000000 ) Screw, Pan, Torx, M8 X 3.5 X 25[Remform]	2
	17	140027	(30056121- 40000000 ) Washer, Flat, 0.35b 0.75d .04, Ss	2
	N/S	1072524	(30000000- 40000000 ) Harness, Ele [Bail Switch]	1

▽ ASSEMBLY

▲ INCLUDED IN ASSEMBLY

HANDLE GROUP, T300 PRO-PANEL (LCD), PROPEL

355322



## HANDLE GROUP, T300 PRO-PANEL (LCD), PROPEL

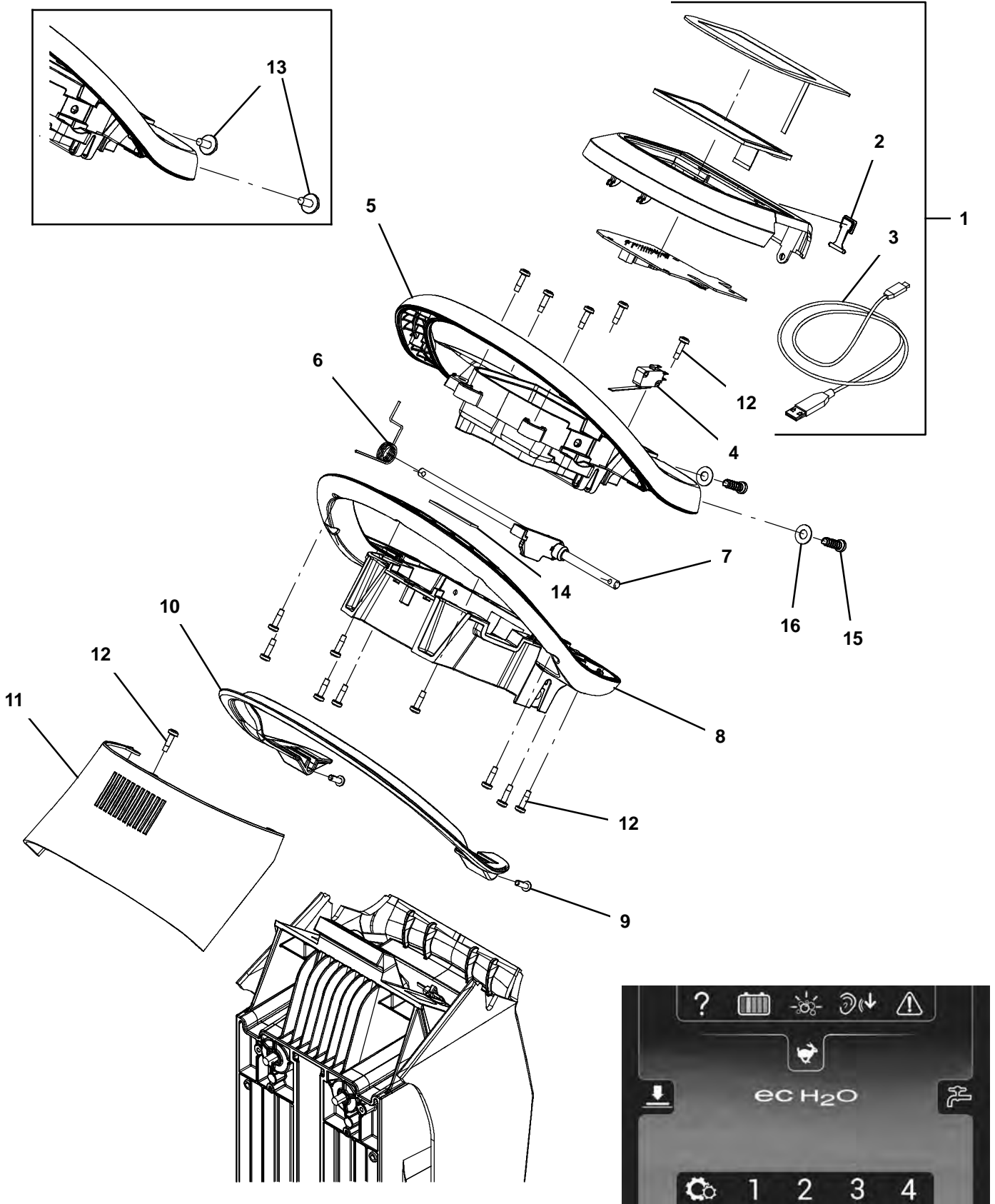
Ref.	Part No.	Serial Number	Description	Qty.
▽	1	9014135	(30000000- 40000000 ) Bezel Kit, Propel, Lcd Pro- Panl,Ci[T300] (Kit Includes Circuitboard)	1
▲	2	1205618	(30000000- 40000000 ) Cap, Usb	1
▲	3	1071235	(30000000- 40000000 ) Cable [Usb, 2m, A- Male To Mini- B- Male]	1
	4	1206586	(30000000- 40000000 ) Dial, Range, Speed	1
	5	1204930	(30000000- 40000000 ) Potentiometer [100k, 1 Turn, B5/B7]	1
	6	1209730	(30000000- 40000000 ) Cap, Toggle, Direction	1
	7	1209673	(30000000- 40000000 ) Switch Assy, Toggle, Direction	1
	8	1203787	(30000000- 40000000 ) Housing, Handle, Cntrl, Top	1
	9	1205781	(30000000- 40000000 ) Spring, Return, Bail	1
	10	1205143	(30000000- 40000000 ) Shaft Assy, Bail, Handle	1
	11	1205323	(30000000- 40000000 ) Switch, 0.1a, Spdt [Micro, Straight]	1
	12	1222608	(30000000- 40000000 ) Housing, Handle, Cntrl, Bottom, Slotted	1
	13	1205799	(30000000- 40000000 ) Screw, Btn, M5 X 0.8 X 16, 8.8, NI, Torx	2
	14	1205778	(30000000- 40000000 ) Handle, Bail [Machined]	1
	15	9015305	(30000000- 40000000 ) Cover Kit, Handle, Cntrl (Kit Includes Label)	1
	16	1043573	(30000000- 40000000 ) Screw, #10- 14 X 0.675, Spl[Shcs,Selftap]	15
	17	1020341	(30000000- 30056120 ) Screw, Hex, M8 X 1.25 X 20, Ss, Sems	2
	18	1020280	(30000000- 40000000 ) Seal, Afmkt, Rbr, Clsd, Adh, 01ft	1
	19	1215863	(30056121- 40000000 ) Screw, Pan, Torx, M8 X 3.5 X 25[Remform]	2
	20	140027	(30056121- 40000000 ) Washer, Flat, 0.35b 0.75d .04, Ss	2
	N/S	1072524	(30000000- 40000000 ) Harness, Ele [Bail Switch]	1

▽ ASSEMBLY

▲ INCLUDED IN ASSEMBLY

HANDLE GROUP, T300 PRO-PANEL (LCD), PUSH

355323



## HANDLE GROUP, T300 PRO-PANEL (LCD), PUSH

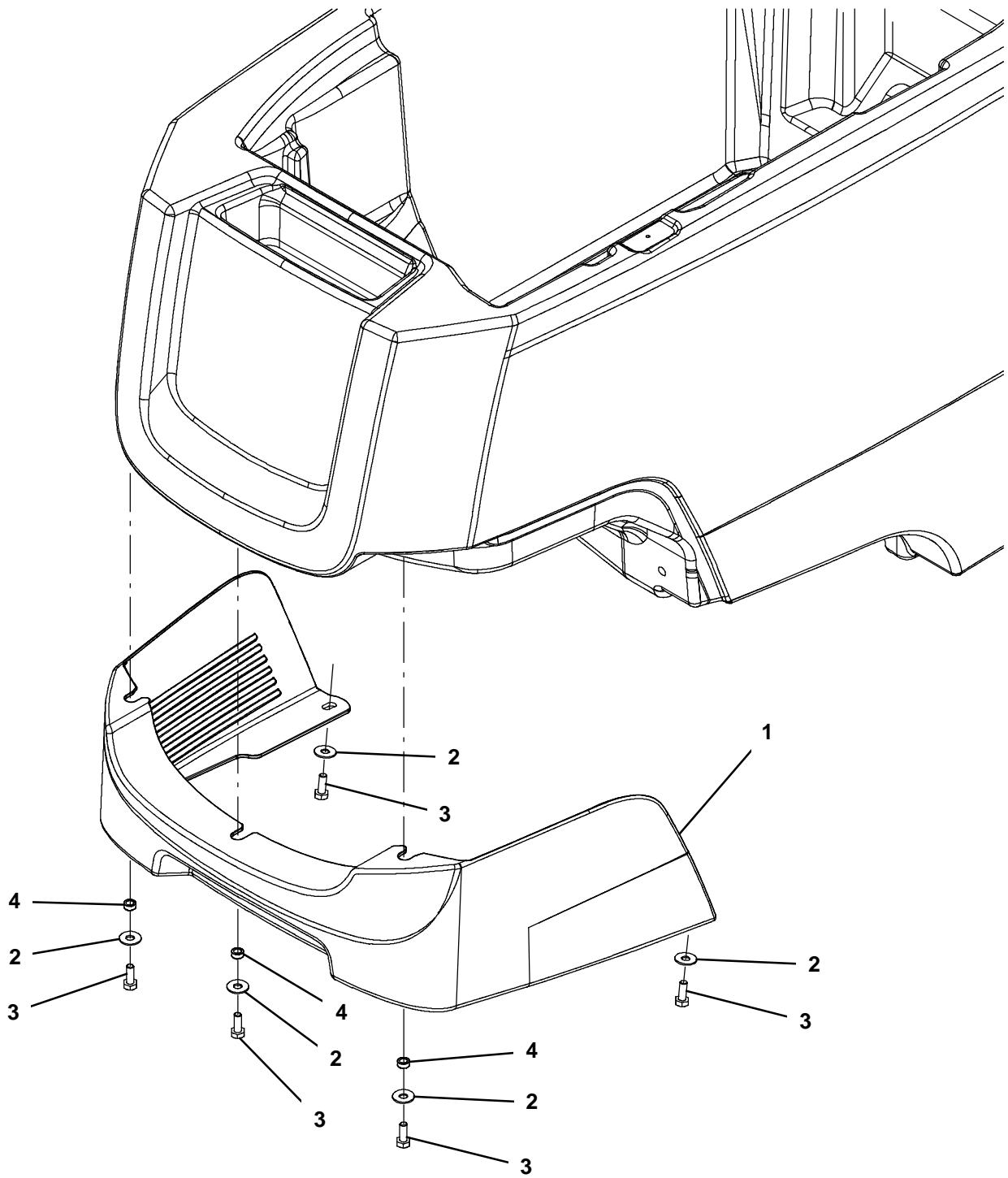
Ref.	Part No.	Serial Number	Description	Qty.
▽	1	9014134	(30000000- 40000000 ) Bezel Kit, Push, Lcd Pro- Panl, Ci [T300] (Kit Includes Circuitboard)	1
▲	2	1205618	(30000000- 40000000 ) Cap, Usb	1
▲	3	1071235	(30000000- 40000000 ) Cable [Usb, 2m, A- Male To Mini- B- Male]	1
	4	1205323	(30000000- 40000000 ) Switch, 0.1a, Spdt [Micro, Straight]	1
	5	1203787	(30000000- 40000000 ) Housing, Handle, Cntrl, Top	1
	6	1205781	(30000000- 40000000 ) Spring, Return, Bail	1
	7	1205143	(30000000- 40000000 ) Shaft Assy, Bail, Handle	1
	8	1222608	(30000000- 40000000 ) Housing, Handle, Cntrl, Bottom, Slotted	1
	9	1205799	(30000000- 40000000 ) Screw, Btn, M5 X 0.8 X 16, 8.8, NI, Torx	2
	10	1205778	(30000000- 40000000 ) Handle, Bail [Machined]	1
	11	9015305	(30000000- 40000000 ) Cover Kit, Handle, Cntrl (Kit Includes Label)	1
	12	1043573	(30000000- 40000000 ) Screw, #10- 14 X 0.675, Spl[Shcs,Selftap]	15
	13	1020341	(30000000- 30056120 ) Screw, Hex, M8 X 1.25 X 20, Ss, Sems	2
	14	1020280	(30000000- 40000000 ) Seal, Afmkt, Rbr, Clsd, Adh, 01ft	1
	15	1215863	(30056121- 40000000 ) Screw, Pan, Torx, M8 X 3.5 X 25[Remform]	2
	16	140027	(30056121- 40000000 ) Washer, Flat, 0.35b 0.75d .04, Ss	2
	N/S	1072524	(30000000- 40000000 ) Harness, Ele [Bail Switch]	1

▽ ASSEMBLY

▲ INCLUDED IN ASSEMBLY

SHROUD GROUP, DISK AND ORBITAL HEAD

355299



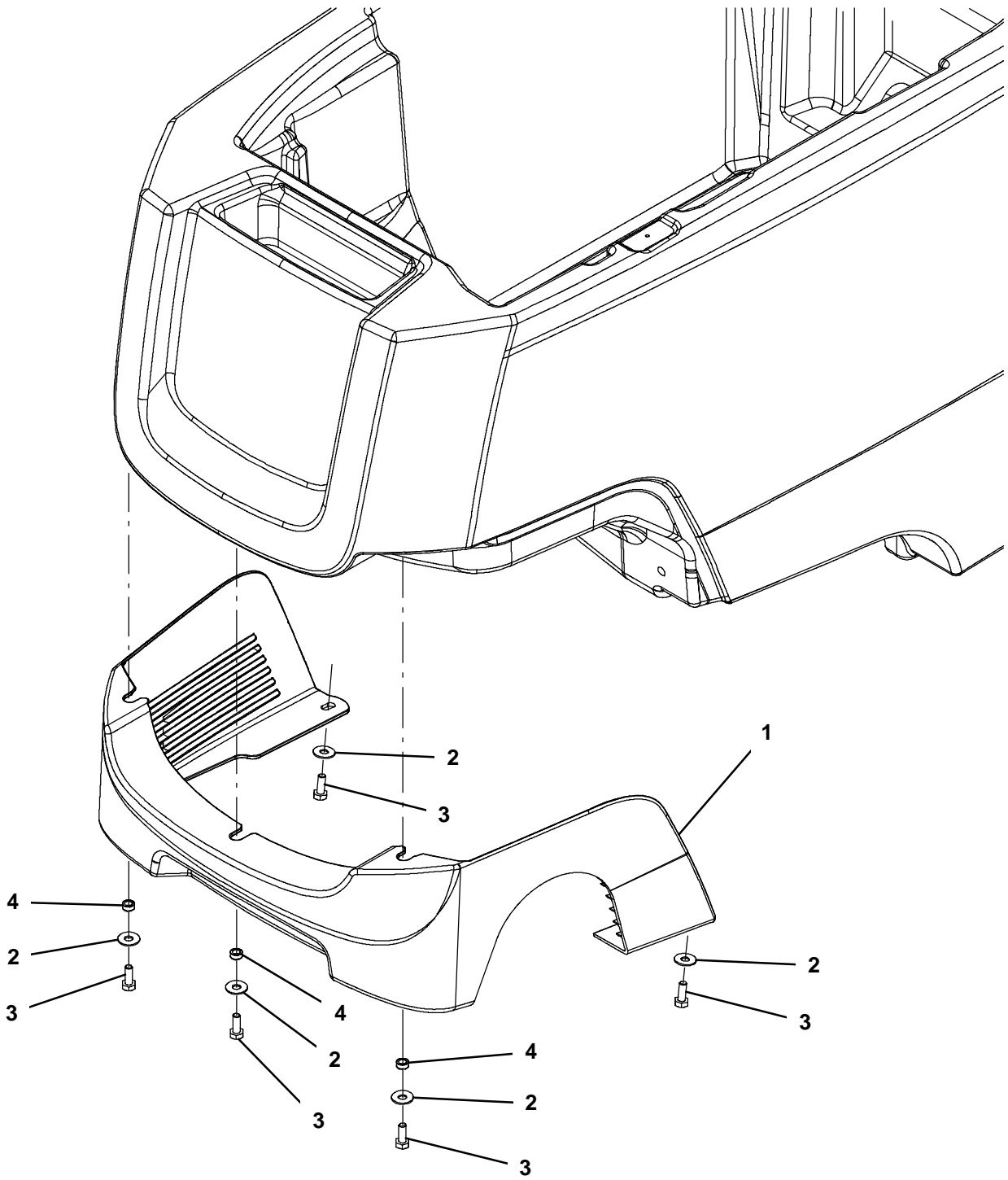


## SHROUD GROUP, DISK AND ORBITAL HEAD

Ref.	Part No.	Serial Number	Description	Qty.
1	1210029	(30000000- 40000000 )	Cover, Head, Disk, Im-Hg [T300]	1
2	01684	(30000000- 40000000 )	Washer, Flat, 0.27b 0.69d .05, Ss	5
3	11329	(30000000- 40000000 )	Screw, Hex, M6 X 1.00 X 16, NI, Ss	5
4	80491	(30000000- 40000000 )	Sleeve, P/M, 0.25b 0.38d 0.2l [430ss]	3

SHROUD GROUP, CYLINDRICAL HEAD

355300



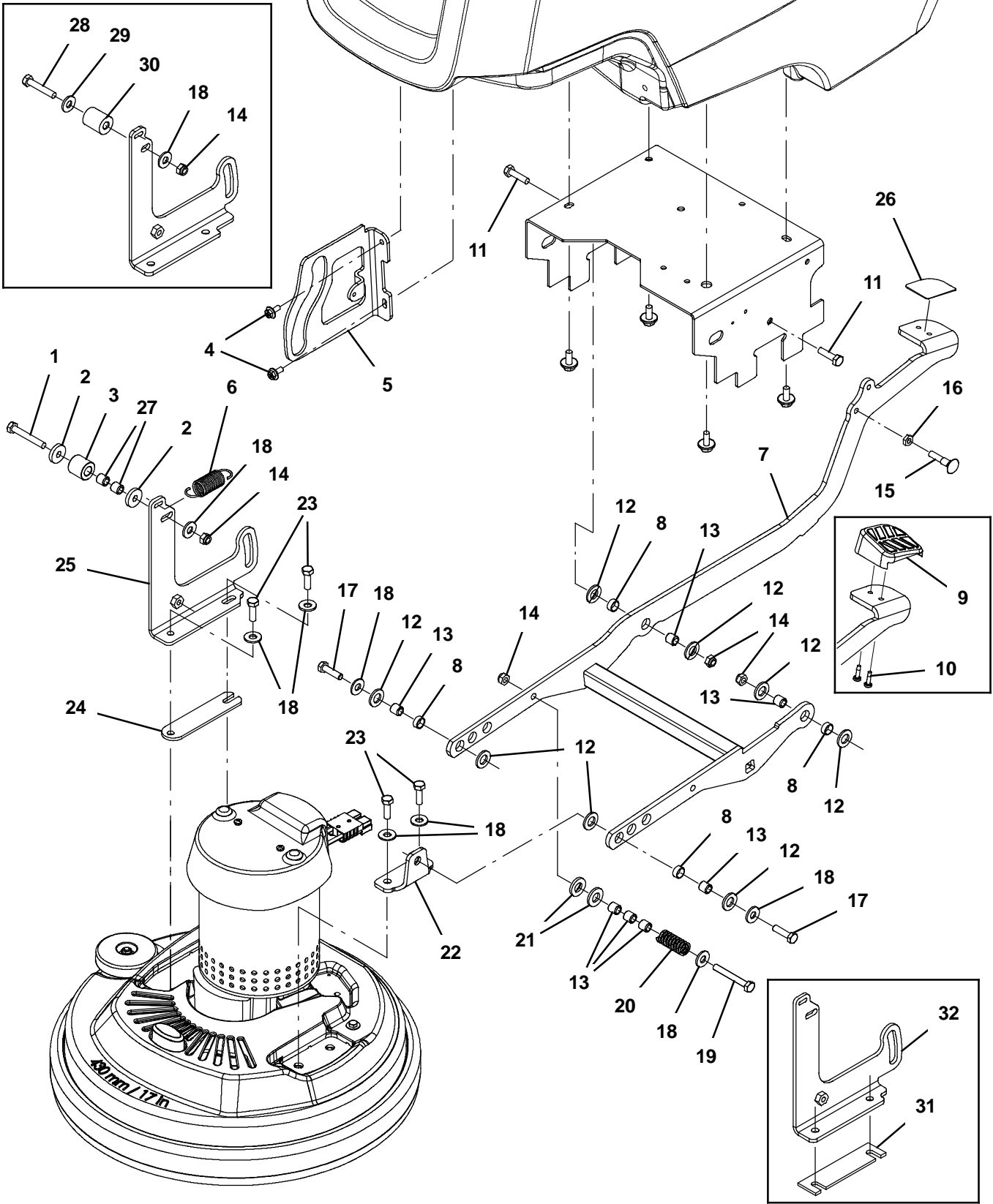
## SHROUD GROUP, CYLINDRICAL HEAD

Ref.	Part No.	Serial Number	Description	Qty.
1	1213570	(30000000- 40000000 )	Cover, Head, Cylrcl, Im-Hg [T300]	1
2	01684	(30000000- 40000000 )	Washer, Flat, 0.27b 0.69d .05, Ss	5
3	11329	(30000000- 40000000 )	Screw, Hex, M6 X 1.00 X 16, NI, Ss	5
4	80491	(30000000- 40000000 )	Sleeve, P/M, 0.25b 0.38d 0.2l [430ss]	3

SCRUB HEAD LIFT GROUP, 43CM DISK MODEL

355285

(S/N 3000000 - 30058933)



## SCRUB HEAD LIFT GROUP, 43CM DISK MODEL

Ref.	Part No.	Serial Number	Description	Qty.	
1	222504	(30058934- 40000000 )	Screw, Hex, M8 X 1.25 X 55, Ss	1	
2	1028796	(30058934- 40000000 )	Washer, Flat, 0.33b 1.00d .18, Stl, Pl	2	
3	1014020	(30058934- 40000000 )	Roller, 0.99d 0.50b 0.95l, Acetal	1	
4	1034731	(30000000- 40000000 )	Screw, Hex, M6 X 1.00 X 16, Sems, Ss	2	
5	1213063	(30000000- 40000000 )	Bracket, Guide, Head [Vw]	1	
6	1032420	(30000000- 40000000 )	Spring, Extn, 0.85od 0.09wir 02.9l	1	
▽	7	9014170	(30000000- 40000000 )	Kit, Lift, Head[T300/T300e/Ss300]	1
▲	8	630188	(30000000- 40000000 )	Bearing, Journal, .50id X .25l	8
9	1209093	(30000000- 30044688 )	Cover, Pedal (T300 Model - Replaced by 1218694)	1	
10	1043573	(30000000- 30044688 )	Screw, #10- 14 X 0.675, Spl[Shcs,Selftap] (T300 Model)	2	
11	09011	(30000000- 40000000 )	Screw, Hex, M8 X 1.25 X 30, Ss	2	
12	1013936	(30000000- 40000000 )	Washer, Flat, 0.51b 0.94d .10, Nyl	8	
13	222460	(30000000- 40000000 )	Sleeve, P/M, 0.32b 0.50d 0.5l [430ss]	7	
14	08713	(30000000- 40000000 )	Nut, Hex, Lock, M8 X 1.25, NI, Ss	4	
15	69915	(30000000- 40000000 )	Bolt, Carriage, M8 X 1.25 X 40	1	
16	200101017	(30000000- 40000000 )	Nut, Hex, Jam, M8 X 1.25	1	
17	1016399	(30000000- 40000000 )	Screw, Hex, M8 X 1.25 X 30, NI, Ss	2	
18	01685	(30000000- 40000000 )	Washer, Flat, 0.38b 0.88d .08, Ss	8	
19	1014163	(30000000- 40000000 )	Screw, Hex, M8 X 1.25 X 60, Fl, Ss	1	
20	140430	(30000000- 40000000 )	Spring, Cmpr, 0.70od .10wir 01.7l	1	
21	140127	(30000000- 40000000 )	Washer, Thrust, 0.51b 1.00d 0.12w, Brz	2	
22	1210258	(30000000- 40000000 )	Bracket Wldt, Head Mtg, 43d/50d, Short	1	
23	12333	(30000000- 40000000 )	Screw, Hex, M8 X 1.25 X 25, Ss, NI	4	
24	1223982	(30057439- 40000000 )	Spacer, Head, 4mm (Push Model)	1	
25	1223962	(30062215- 40000000 )	Bracket Wldt, Mtg, Head, 43d/50d, Tall	1	
26	1218694	(30000000- 40000000 )	Pad, Pedal, Lift	1	
27	222460	(30058934- 40000000 )	Sleeve, P/M, 0.32b 0.50d 0.5l [430ss]	2	
28	49694	(30000000- 30058933 )	Screw, Hex, M8 X 1.25 X 50, Ss	1	
29	01685	(30000000- 30058933 )	Washer, Flat, 0.38b 0.88d .08, Ss	1	
30	1214039	(30000000- 30058933 )	Roller, Lift, Head	1	
31	1221369	(30000000- 30057438 )	Spacer, Head, 4mm [Ss3] (Push Model)	1	
32	1210256	(30000000- 30062214 )	Bracket Wldt, Mtg, Head, 50d, Tall [Vw] (Replaced By 1223962)	1	

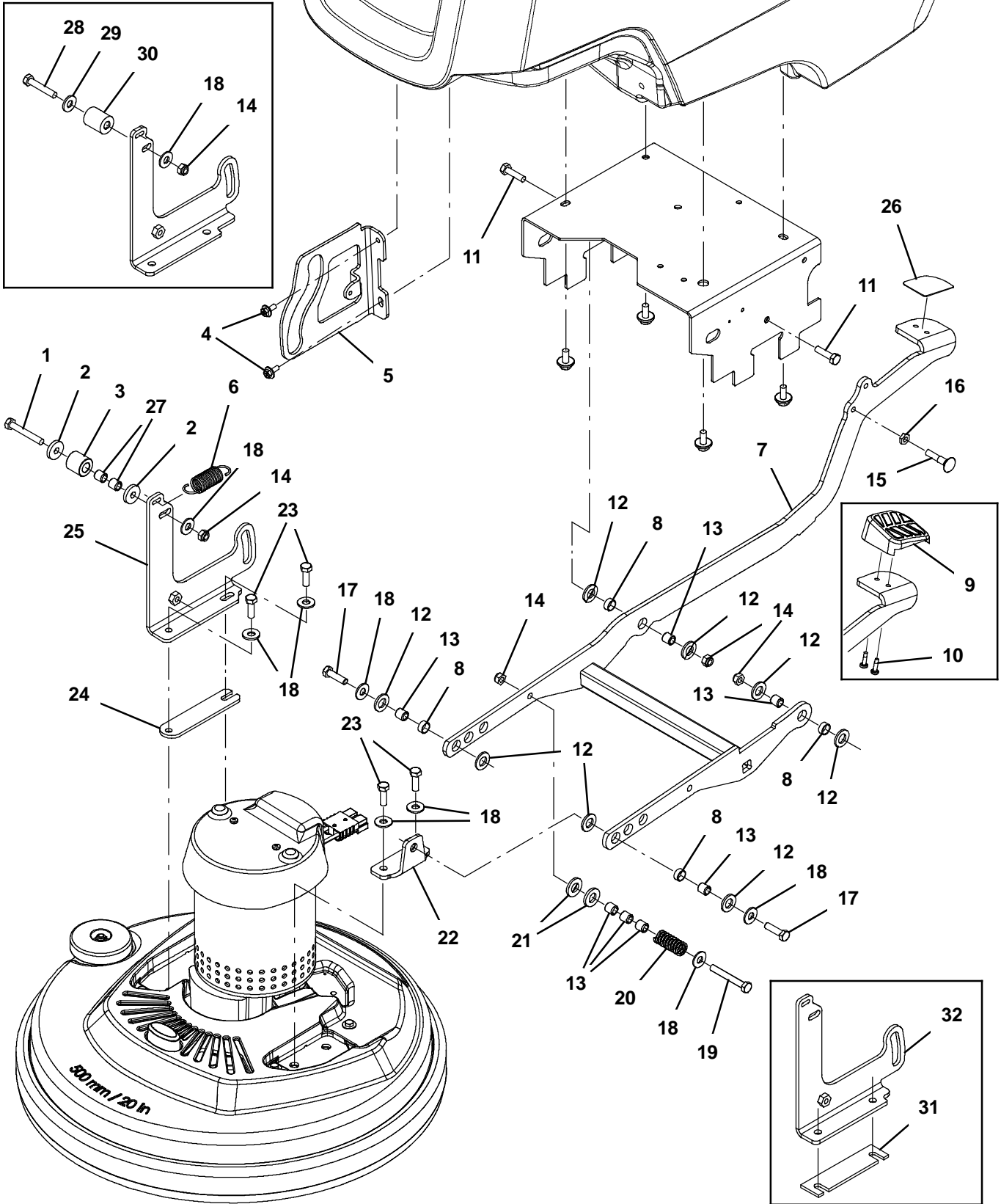
▽ ASSEMBLY

▲ INCLUDED IN ASSEMBLY

SCRUB HEAD LIFT GROUP, 50CM DISK MODEL

355286

(S/N 3000000 - 30058933)



SCRUB HEAD LIFT GROUP, 50CM DISK MODEL

Ref.	Part No.	Serial Number	Description	Qty.	
1	222504	(30058934- 40000000 )	Screw, Hex, M8 X 1.25 X 55, Ss	1	
2	1028796	(30058934- 40000000 )	Washer, Flat, 0.33b 1.00d .18, Stl, Pl	2	
3	1014020	(30058934- 40000000 )	Roller, 0.99d 0.50b 0.95l, Acetal	1	
4	1034731	(30000000- 40000000 )	Screw, Hex, M6 X 1.00 X 16, Sems, Ss	2	
5	1213063	(30000000- 40000000 )	Bracket, Guide, Head [Vw]	1	
6	1032420	(30000000- 40000000 )	Spring, Extn, 0.85od 0.09wir 02.9l	1	
▽	7	9014170	(30000000- 40000000 )	Kit, Lift, Head[T300/T300e/Ss300]	1
▲	8	630188	(30000000- 40000000 )	Bearing, Journal, .50id X .25l	8
9	1209093	(30000000- 30044688 )	Cover, Pedal (T300 Model - Replaced by 1218694)	1	
10	1043573	(30000000- 30044688 )	Screw, #10- 14 X 0.675, Spl[Shcs,Selftap] (T300 Model)	2	
11	09011	(30000000- 40000000 )	Screw, Hex, M8 X 1.25 X 30, Ss	2	
12	1013936	(30000000- 40000000 )	Washer, Flat, 0.51b 0.94d .10, Nyl	8	
13	222460	(30000000- 40000000 )	Sleeve, P/M, 0.32b 0.50d 0.5l [430ss]	7	
14	08713	(30000000- 40000000 )	Nut, Hex, Lock, M8 X 1.25, NI, Ss	4	
15	69915	(30000000- 40000000 )	Bolt, Carriage, M8 X 1.25 X 40	1	
16	200101017	(30000000- 40000000 )	Nut, Hex, Jam, M8 X 1.25	1	
17	1016399	(30000000- 40000000 )	Screw, Hex, M8 X 1.25 X 30, NI, Ss	2	
18	01685	(30000000- 40000000 )	Washer, Flat, 0.38b 0.88d .08, Ss	8	
19	1014163	(30000000- 40000000 )	Screw, Hex, M8 X 1.25 X 60, Fl, Ss	1	
20	140430	(30000000- 40000000 )	Spring, Cmpr, 0.70od .10wir 01.7l	1	
21	140127	(30000000- 40000000 )	Washer, Thrust, 0.51b 1.00d 0.12w, Brz	2	
22	1210258	(30000000- 40000000 )	Bracket Wldt, Head Mtg, 43d/50d, Short	1	
23	12333	(30000000- 40000000 )	Screw, Hex, M8 X 1.25 X 25, Ss, NI	4	
24	1223982	(30057439- 40000000 )	Spacer, Head, 4mm	1	
25	1223962	(30062215- 40000000 )	Bracket Wldt, Mtg, Head, 43d/50d, Tall	1	
26	1218694	(30000000- 40000000 )	Pad, Pedal, Lift	1	
27	222460	(30058934- 40000000 )	Sleeve, P/M, 0.32b 0.50d 0.5l [430ss]	2	
28	49694	(30000000- 30058933 )	Screw, Hex, M8 X 1.25 X 50, Ss	1	
29	01685	(30000000- 30058933 )	Washer, Flat, 0.38b 0.88d .08, Ss	1	
30	1214039	(30000000- 30058933 )	Roller, Lift, Head	1	
31	1221369	(30000000- 30057438 )	Spacer, Head, 4mm [Ss3] (Push Model)	1	
32	1210256	(30000000- 30062214 )	Bracket Wldt, Mtg, Head, 50d, Tall [Vw] (Replaced By 1223962)	1	

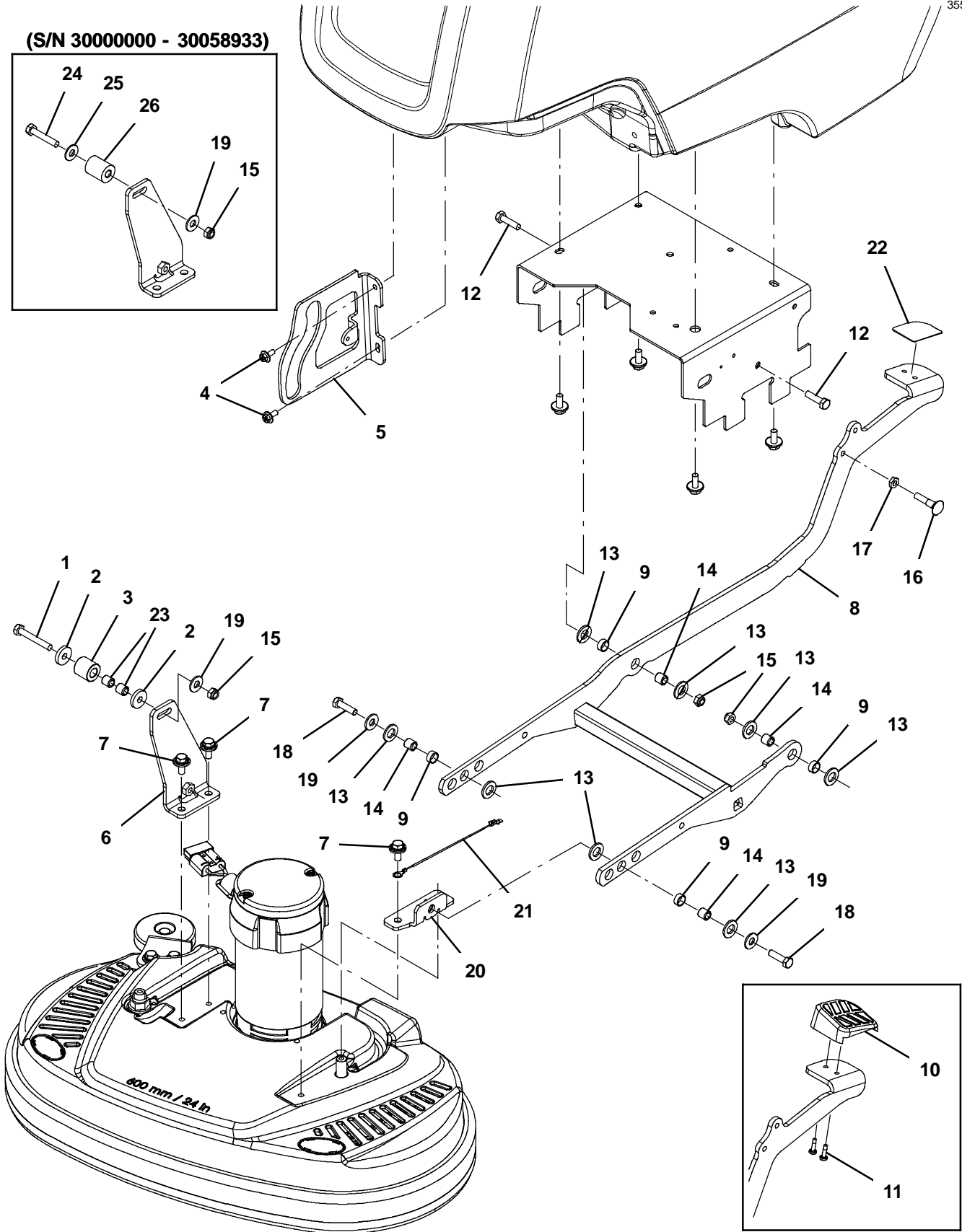
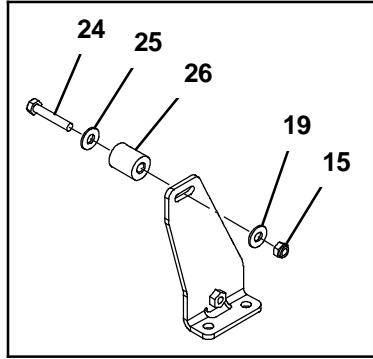
▽ ASSEMBLY

▲ INCLUDED IN ASSEMBLY

SCRUB HEAD LIFT GROUP, 60CM DUAL DISK MODEL

355287

(S/N 30000000 - 30058933)





SCRUB HEAD LIFT GROUP, 60CM DUAL DISK MODEL

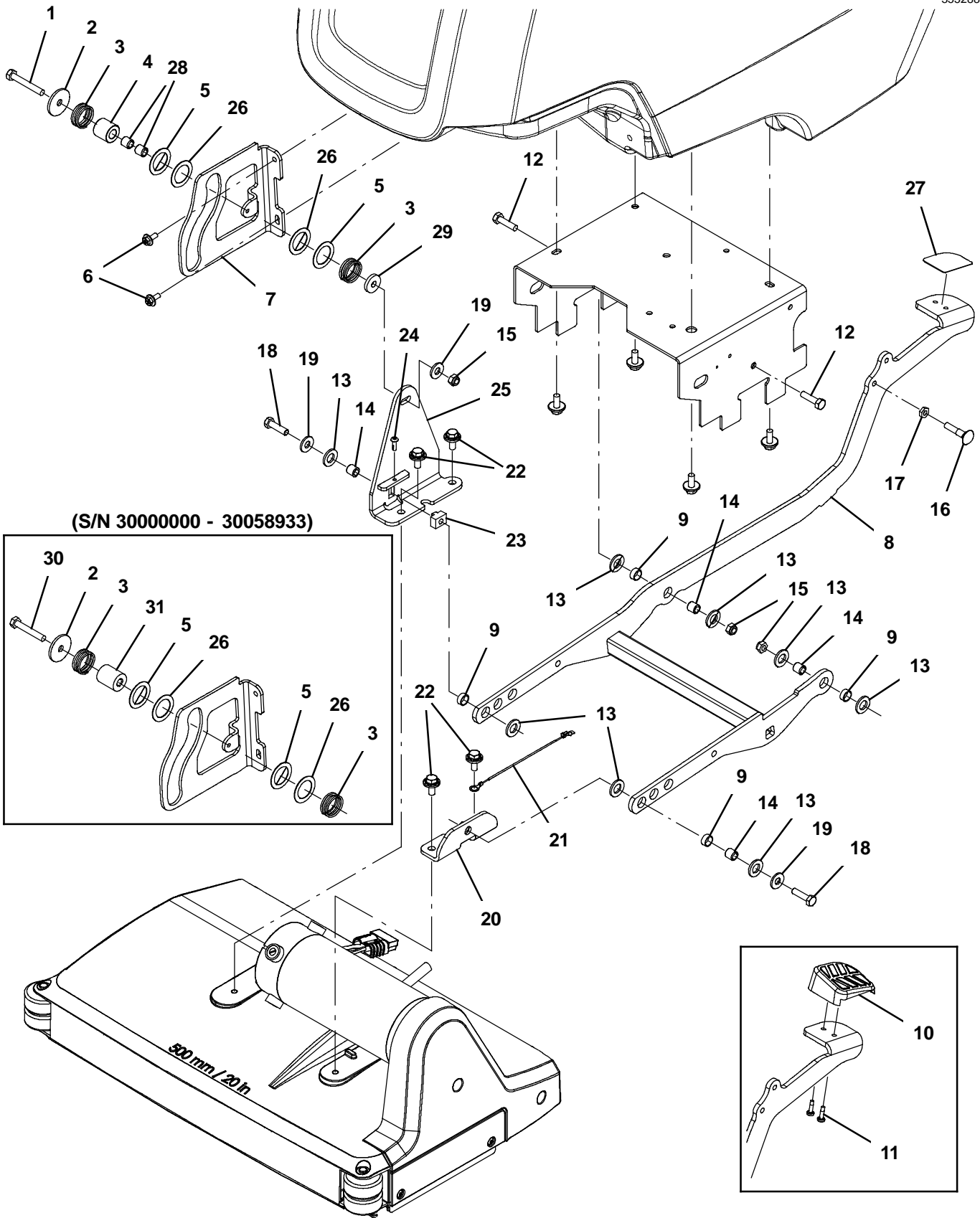
Ref.	Part No.	Serial Number	Description	Qty.	
1	222504	(30058934- 40000000 )	Screw, Hex, M8 X 1.25 X 55, Ss	1	
2	1028796	(30058934- 40000000 )	Washer, Flat, 0.33b 1.00d .18, Stl, Pl	2	
3	1014020	(30058934- 40000000 )	Roller, 0.99d 0.50b 0.95l, Acetal	1	
4	1034731	(30000000- 40000000 )	Screw, Hex, M6 X 1.00 X 16, Sems, Ss	2	
5	1213063	(30000000- 40000000 )	Bracket, Guide, Head [Vw]	1	
6	1213220	(30000000- 40000000 )	Bracket Wldt, Mtg, Head, 60dd, Tail [Vw]	1	
7	1020341	(30000000- 40000000 )	Screw, Hex, M8 X 1.25 X 20, Ss, Sems	3	
▽	8	9014170	(30000000- 40000000 )	Kit, Lift, Head[T300/T300e/Ss300]	1
▲	9	630188	(30000000- 40000000 )	Bearing, Journal, .50id X .25l	8
10	1209093	(30000000- 30044688 )	Cover, Pedal (T300 Model - Replaced by 1218694)	1	
11	1043573	(30000000- 30044688 )	Screw, #10- 14 X 0.675, Spl[Shcs,Selftap] (T300 Model)	2	
12	09011	(30000000- 40000000 )	Screw, Hex, M8 X 1.25 X 30, Ss	2	
13	1013936	(30000000- 40000000 )	Washer, Flat, 0.51b 0.94d .10, Nyl	8	
14	222460	(30000000- 40000000 )	Sleeve, P/M, 0.32b 0.50d 0.5l [430ss]	4	
15	08713	(30000000- 40000000 )	Nut, Hex, Lock, M8 X 1.25, NI, Ss	3	
16	69915	(30000000- 40000000 )	Bolt, Carriage, M8 X 1.25 X 40	1	
17	200101017	(30000000- 40000000 )	Nut, Hex, Jam, M8 X 1.25	1	
18	1016399	(30000000- 40000000 )	Screw, Hex, M8 X 1.25 X 30, NI, Ss	2	
19	01685	(30000000- 40000000 )	Washer, Flat, 0.38b 0.88d .08, Ss	3	
20	1213224	(30000000- 40000000 )	Bracket Wldt, Mtg, Head, 60dd, Short[Vw]	1	
21	1074344	(30000000- 40000000 )	Harness, Ele [Ring With .250m Tail]	1	
22	1218694	(30000000- 40000000 )	Pad, Pedal, Lift	1	
23	222460	(30058934- 40000000 )	Sleeve, P/M, 0.32b 0.50d 0.5l [430ss]	2	
24	49694	(30000000- 30058933 )	Screw, Hex, M8 X 1.25 X 50, Ss	1	
25	01685	(30000000- 30058933 )	Washer, Flat, 0.38b 0.88d .08, Ss	1	
26	1214039	(30000000- 30058933 )	Roller, Lift, Head	1	

▽ ASSEMBLY

▲ INCLUDED IN ASSEMBLY

SCRUB HEAD LIFT GROUP, 50CM CYLINDRICAL MODEL

355288



## SCRUB HEAD LIFT GROUP, 50CM CYLINDRICAL MODEL

Ref.	Part No.	Serial Number	Description	Qty.	
1	222504	(30058934- 40000000 )	Screw, Hex, M8 X 1.25 X 55, Ss	1	
2	379829	(30000000- 40000000 )	Washer, Flat, 0.34b 1.50d .12, Stl, PI	1	
3	1210103	(30000000- 40000000 )	Spring, Cmpr, 1.23od 0.085wir 0.88l	2	
4	1014020	(30058934- 40000000 )	Roller, 0.99d 0.50b 0.95l, Acetal	1	
5	20955	(30000000- 40000000 )	Washer, Flat, 1.03b 1.50d .04, Stl, PI	2	
6	1034731	(30000000- 40000000 )	Screw, Hex, M6 X 1.00 X 16, Sems, Ss	2	
7	1213063	(30000000- 40000000 )	Bracket, Guide, Head [Vw]	1	
▽	8	9014170	(30000000- 40000000 )	Kit, Lift, Head[T300/T300e/Ss300]	1
▲	9	630188	(30000000- 40000000 )	Bearing, Journal, .50id X .25l	8
10	1209093	(30000000- 30044688 )	Cover, Pedal (T300 Model - Replaced by 1218694)	1	
11	1043573	(30000000- 30044688 )	Screw, #10- 14 X 0.675, Spl[Shcs,Selftap] (T300 Model)	2	
12	09011	(30000000- 40000000 )	Screw, Hex, M8 X 1.25 X 30, Ss	2	
13	1013936	(30000000- 40000000 )	Washer, Flat, 0.51b 0.94d .10, Nyl	8	
14	222460	(30000000- 40000000 )	Sleeve, P/M, 0.32b 0.50d 0.5l [430ss]	4	
15	08713	(30000000- 40000000 )	Nut, Hex, Lock, M8 X 1.25, NI, Ss	3	
16	69915	(30000000- 40000000 )	Bolt, Carriage, M8 X 1.25 X 40	1	
17	200101017	(30000000- 40000000 )	Nut, Hex, Jam, M8 X 1.25	1	
18	1016399	(30000000- 40000000 )	Screw, Hex, M8 X 1.25 X 30, NI, Ss	2	
19	01685	(30000000- 40000000 )	Washer, Flat, 0.38b 0.88d .08, Ss	3	
20	1213226	(30000000- 40000000 )	Bracket Wldt, Mtg, Head, 50cyl [Short]	1	
21	1074344	(30000000- 40000000 )	Harness, Ele [Ring With .250m Tail]	1	
22	1020341	(30000000- 40000000 )	Screw, Hex, M8 X 1.25 X 20, Ss, Sems	4	
23	1221434	(30000000- 40000000 )	Nut, T, M8 X 1.25, Pm Ss [B5/B7, T300]	1	
24	1205799	(30000000- 40000000 )	Screw, Btn, M5 X 0.8 X 16, 8.8, NI, Torx	1	
25	1216222	(30000000- 40000000 )	Bracket Wldt, Mtg, Head	1	
26	1210112	(30000000- 40000000 )	Washer, Flat, 1.03b 1.50d .03, Nylon	2	
27	1218694	(30000000- 40000000 )	Pad, Pedal, Lift	1	
28	222460	(30058934- 40000000 )	Sleeve, P/M, 0.32b 0.50d 0.5l [430ss]	2	
29	1028796	(30058934- 40000000 )	Washer, Flat, 0.33b 1.00d .18, Stl, PI	1	
30	49694	(30000000- 30058933 )	Screw, Hex, M8 X 1.25 X 50, Ss	1	
31	1214039	(30000000- 30058933 )	Roller, Lift, Head	1	

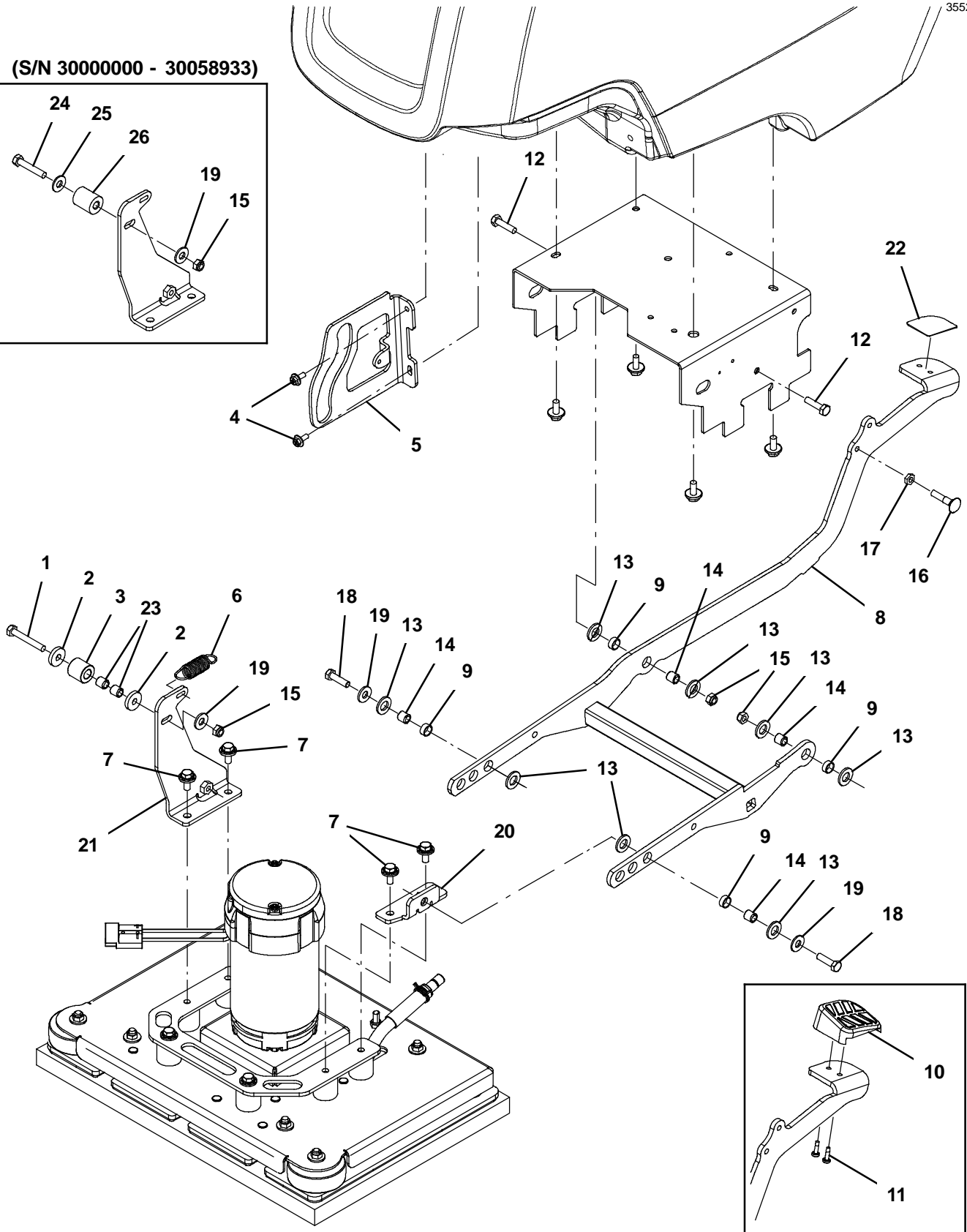
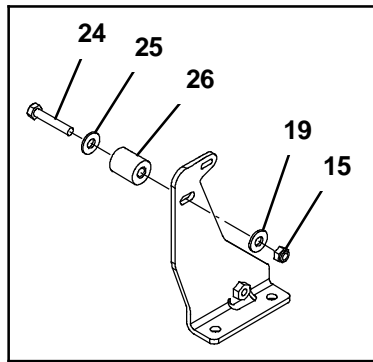
▽ ASSEMBLY

▲ INCLUDED IN ASSEMBLY

SCRUB HEAD LIFT GROUP, 50CM ORBITAL MODEL

355289

(S/N 30000000 - 30058933)



SCRUB HEAD LIFT GROUP, 50CM ORBITAL MODEL

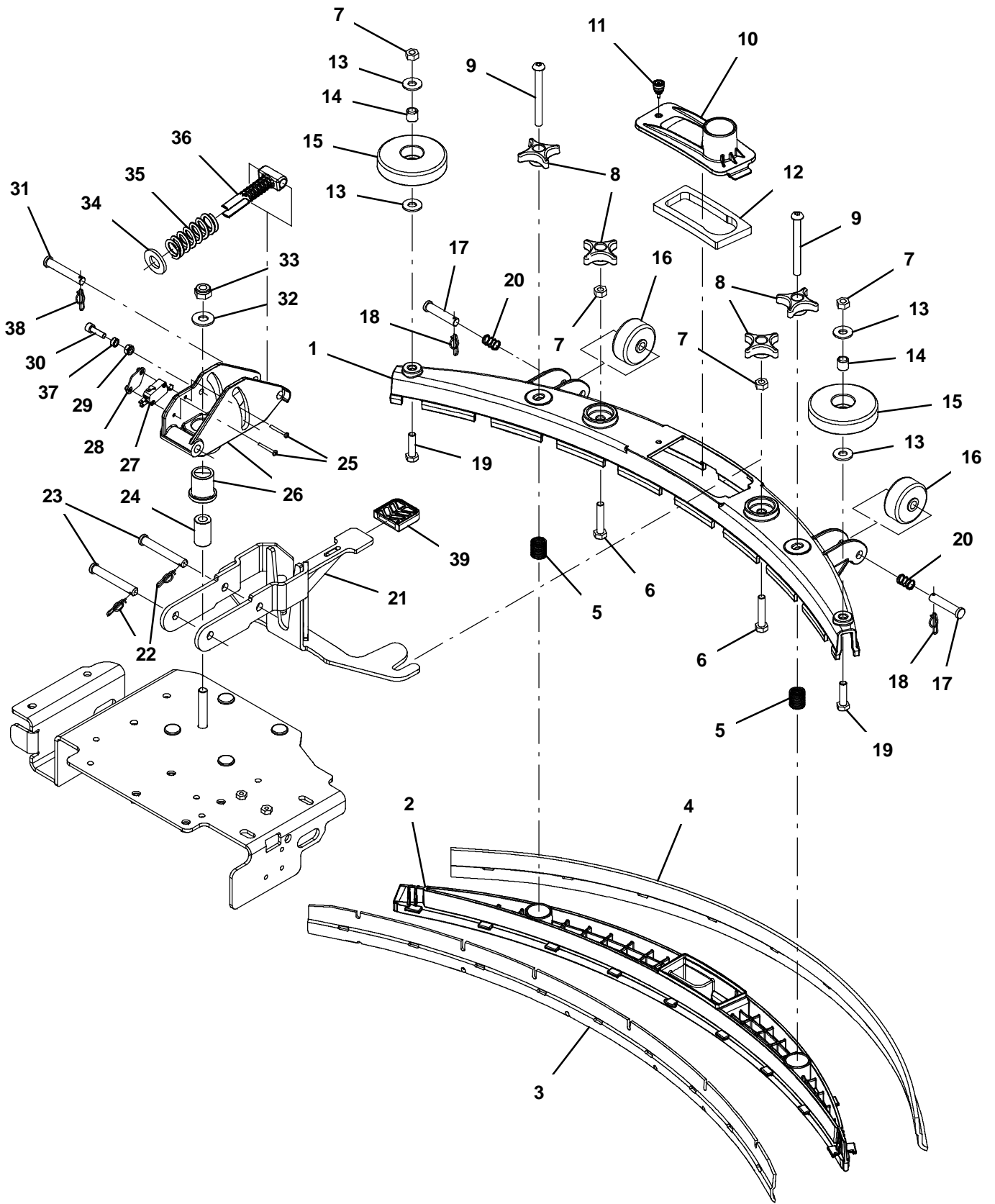
Ref.	Part No.	Serial Number	Description	Qty.	
1	222504	(30058934- 40000000 )	Screw, Hex, M8 X 1.25 X 55, Ss	1	
2	1028796	(30058934- 40000000 )	Washer, Flat, 0.33b 1.00d .18, Stl, Pl	2	
3	1014020	(30058934- 40000000 )	Roller, 0.99d 0.50b 0.95l, Acetal	1	
4	1034731	(30000000- 40000000 )	Screw, Hex, M6 X 1.00 X 16, Sems, Ss	2	
5	1213063	(30000000- 40000000 )	Bracket, Guide, Head [Vw]	1	
6	1032420	(30000000- 40000000 )	Spring, Extn, 0.85od 0.09wir 02.9l	1	
7	1020341	(30000000- 40000000 )	Screw, Hex, M8 X 1.25 X 20, Ss, Sems	4	
▽	8	9014170	(30000000- 40000000 )	Kit, Lift, Head[T300/T300e/Ss300]	1
▲	9	630188	(30000000- 40000000 )	Bearing, Journal, .50id X .25l	8
10	1209093	(30000000- 30044688 )	Cover, Pedal (T300 Model - Replaced by 1218694)	1	
11	1043573	(30000000- 30044688 )	Screw, #10- 14 X 0.675, Spl[Shcs,Selftap] (T300 Model)	2	
12	09011	(30000000- 40000000 )	Screw, Hex, M8 X 1.25 X 30, Ss	2	
13	1013936	(30000000- 40000000 )	Washer, Flat, 0.51b 0.94d .10, Nyl	8	
14	222460	(30000000- 40000000 )	Sleeve, P/M, 0.32b 0.50d 0.5l [430ss]	4	
15	08713	(30000000- 40000000 )	Nut, Hex, Lock, M8 X 1.25, NI, Ss	3	
16	69915	(30000000- 40000000 )	Bolt, Carriage, M8 X 1.25 X 40	1	
17	200101017	(30000000- 40000000 )	Nut, Hex, Jam, M8 X 1.25	1	
18	1016399	(30000000- 40000000 )	Screw, Hex, M8 X 1.25 X 30, NI, Ss	2	
19	01685	(30000000- 40000000 )	Washer, Flat, 0.38b 0.88d .08, Ss	3	
20	1212572	(30000000- 40000000 )	Bracket Wldt, Mtg, Head, Orb, Short [Vw]	1	
21	1213223	(30000000- 40000000 )	Bracket Wldt, Mtg, Head, Orb, Tall [Vw]	1	
22	1218694	(30000000- 40000000 )	Pad, Pedal, Lift	1	
23	222460	(30058934- 40000000 )	Sleeve, P/M, 0.32b 0.50d 0.5l [430ss]	2	
24	49694	(30000000- 30058933 )	Screw, Hex, M8 X 1.25 X 50, Ss	1	
25	01685	(30000000- 30058933 )	Washer, Flat, 0.38b 0.88d .08, Ss	1	
26	1214039	(30000000- 30058933 )	Roller, Lift, Head	1	

▽ ASSEMBLY

▲ INCLUDED IN ASSEMBLY

SQUEEGEE GROUP

355305



## SQUEEGEE GROUP

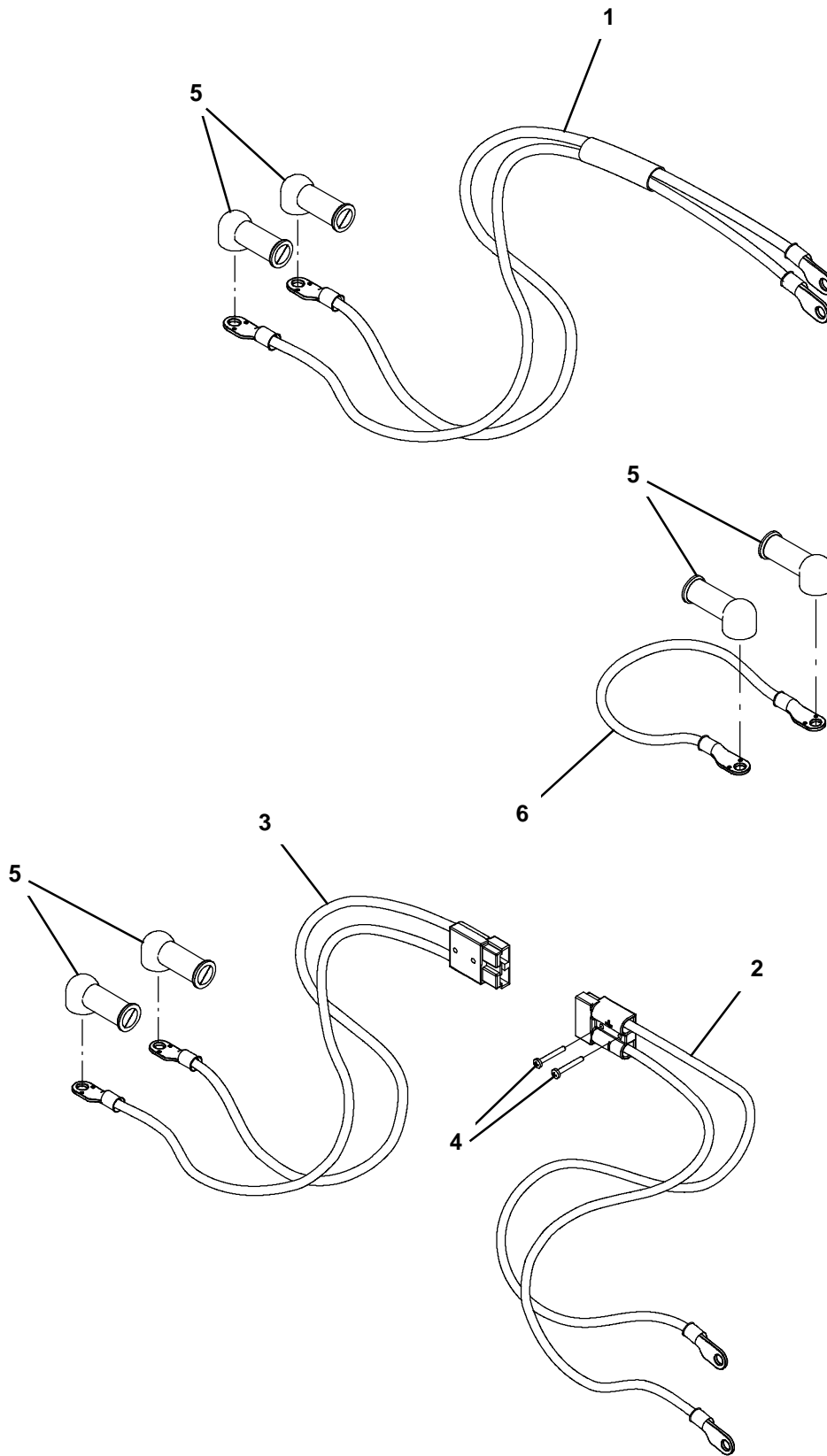
Ref.	Part No.	Serial Number	Description	Qty.
▽	9014172	(30000000-40000000)	Squeegee Kit, Linatex, Am [T300/E/Ss300]	1
▲	1 1215681	(30000000-40000000)	Frame, Sqge, 50cm, Mach [T300]	1
▲	2 1203638	(30000000-40000000)	Retainer, Sqge [T300]	1
▲	3 1203954	(30000000-40000000)	Blade, Sqge, Front, 788l, Linatex[500mm] (Standard)	1
	3 1215611	(30000000-40000000)	Blade, Sqge, Front, 788l, Urethane[500mm] (Option)	1
	3 1215612	(30000000-40000000)	Blade, Sqge, Front, 788l, Gum[500mm] (Option)	1
▲	4 1203953	(30000000-40000000)	Blade, Sqge, Rear, 836l, Linatex[500mm] (Standard)	1
	4 1215609	(30000000-40000000)	Blade, Sqge, Rear, 836l, Urethane[500mm] (Option)	1
	4 1215610	(30000000-40000000)	Blade, Sqge, Rear, 836l, Gum[500mm] (Option)	1
▲	5 22290	(30000000-40000000)	Spring, Cmpr, 0.72od .06wir 02.3l	2
▲	6 09023	(30000000-40000000)	Screw, Hex, M8 X 1.25 X 35, Fl, Ss	2
▲	7 07786	(30000000-40000000)	Nut, Hex, Std, M8 X 1.25, Ss	4
▲	8 1213677	(30000000-40000000)	Knob, Star, 2.00od 4ear M8x1.25 [Yel]	4
▲	9 1212755	(30000000-40000000)	Screw, Btn, Soc, M8x1.25x80, Ss	2
▲	10 1209631	(30000000-40000000)	Cover, Trap, Water, Sqge	1
▲	11 1212683	(30000000-40000000)	Screw, Captive, M5, Knurled [Snap In]	1
▲	12 1210756	(30000000-40000000)	Gasket, Trap, Water, Sqge	1
▲	13 140027	(30000000-40000000)	Washer, Flat, 0.35b 0.75d .04, Ss	4
▲	14 222460	(30000000-40000000)	Sleeve, P/M, 0.32b 0.50d 0.5l [430ss]	2
▲	15 1010560	(30000000-40000000)	Wheel, Bmpr, 80d X 25w, Non-Marking	2
▲	16 630477	(30000000-40000000)	Wheel, Pyu, 02.0d 0.38w, Gray	2
▲	17 17461	(30000000-40000000)	Pin, Clevis, 0.37d X 1.75l	2
▲	18 1216647	(30000000-40000000)	Pin, Cotter, Hair, 0.38d .054 Wir	2
▲	19 1016399	(30000000-40000000)	Screw, Hex, M8 X 1.25 X 30, NI, Ss	2
▲	20 1017091	(30000000-40000000)	Spring, Cmpr, 0.50od .04wir 00.8l	2
	21 9014303	(30000000-40000000)	Bracket Kit, Sqge, Wdt [T300/E, Ss300]	1
	22 1216647	(30000000-40000000)	Pin, Cotter, Hair, 0.38d .054 Wir	2
	23 391179	(30000000-40000000)	Pin, Clevis, 0.37d X 2.62l	2
	24 1214467	(30000000-40000000)	Sleeve, P/M, 0.41b 0.75d 1.3l [430ss]	1
	25 33933	(30000000-40000000)	Screw, Pan, Phl, M3 X 0.50 X 25, Ss	1
	26 9014301	(30000000-40000000)	Bracket Kit, Sqge, Lift [T300/E, Ss300]	1
	27 1215716	(30000000-40000000)	Switch, 0.1a, Spdt[Micro, Gold Contacts]	1
	28 1013705	(30000000-40000000)	Plate, Thread, Switch, M3 Nut, 96hr PI	1
	29 08712	(30000000-40000000)	Nut, Hex, Lock, M6 X 1.00, NI, Ss	1
	30 33951	(30000000-40000000)	Screw, Soc, M6 X 1.00 X 20, 12.9	1
	31 51813	(30000000-40000000)	Pin, Clevis, 0.37d X 2.12l	1
	32 01686	(30000000-40000000)	Washer, Flat, 0.44b 1.00d .08, Ss	1
	33 08714	(30000000-40000000)	Nut, Hex, Lock, M10 X 1.5, NI, Ss	1
	34 69954	(30000000-40000000)	Washer, Thrust, 0.63b 1.25d 0.13w	1
	35 1215756	(30000000-40000000)	Spring, Cmpr, 0.98od .146wir 02.5l	1
	36 1209782	(30000000-40000000)	Pin, Guide, Spring	1
	37 80491	(30000000-40000000)	Sleeve, P/M, 0.25b 0.38d 0.2l [430ss]	1
	38 1216647	(30000000-40000000)	Pin, Cotter, Hair, 0.38d .054 Wir	1
	39 1212533	(30000000-40000000)	Cover, Pedal, Lift	1

▽ ASSEMBLY

▲ INCLUDED IN ASSEMBLY

BATTERY CABLE GROUP, T300e Model

355403





## BATTERY CABLE GROUP, T300e Model

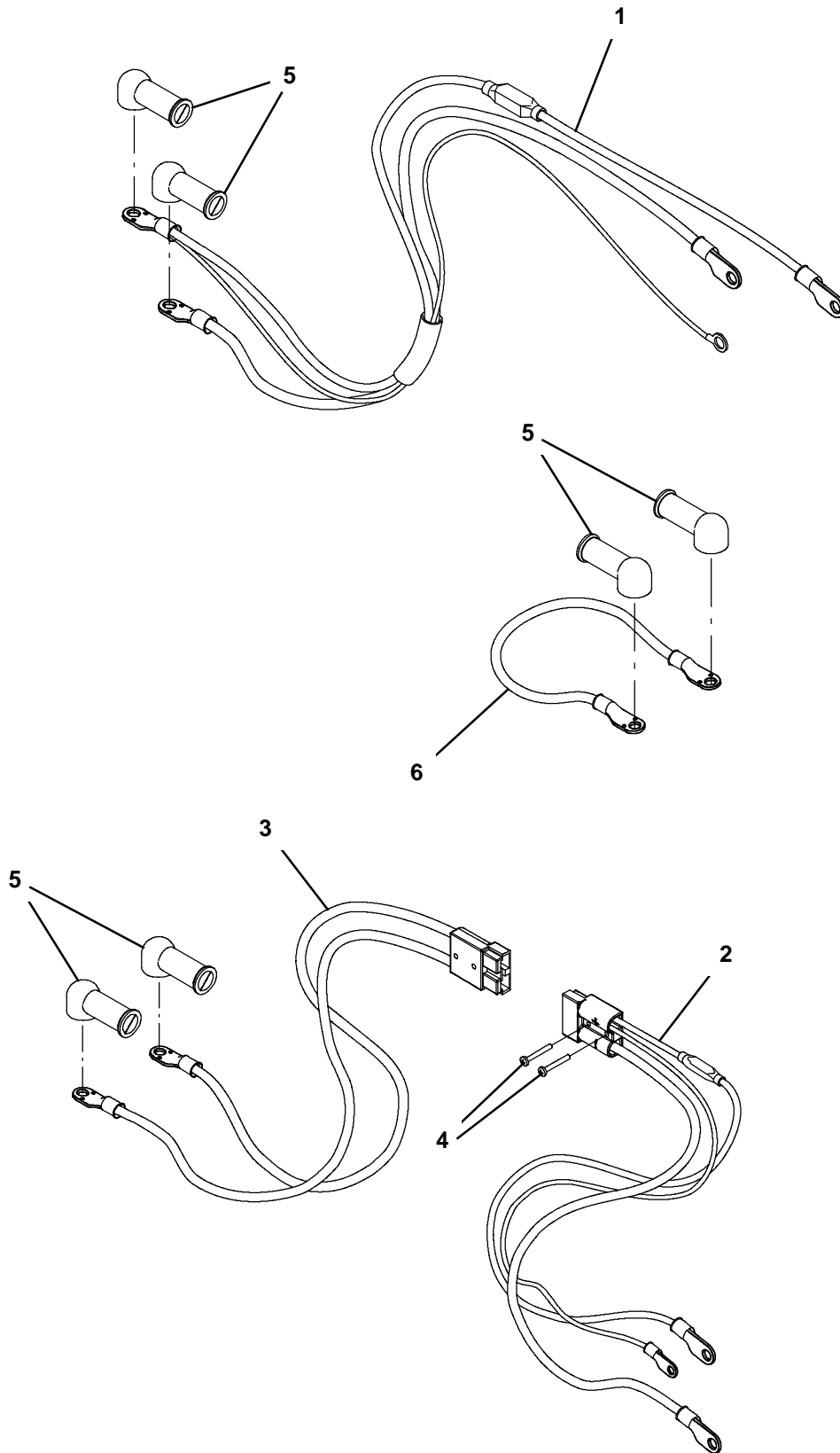
Ref.	Part No.	Serial Number	Description	Qty.
1	1074847	(30056488- 40000000 )	Cable, Assy [T300e] (Standard - Without Battery Lift Out Tray Option)	1
▽	9014781	(30000000- 40000000 )	Cable Kit, Battery, Ring, Tray,Ci[T300e] (Required for Battery Lift Out Kit Option)	1
▲	2 1073629	(30000000- 30056487 )	Cable, Battery, 4ga [M8 Ring/M8 Ring]	1
▲	3 1073628	(30000000- 30056487 )	Cable, Battery, 4ga [M8 Ring/M8 Ring]	1
▲	4 33931	(30000000- 30056487 )	Screw, Pan, Phl, M4 X 0.70 X 30, Ss	2
	5 611221	(30056488- 40000000 )	Boot, Terminal, Battery, 25.4mm, Blk	2
	5 611221	(30000000- 30056487 )	Boot, Terminal, Battery, 25.4mm, Blk	4
	6 1073680	(30000000- 40000000 )	Cable, 04ga 15.0l Blk [M8 Ring/M8 Ring]	1

▽ ASSEMBLY

▲ INCLUDED IN ASSEMBLY

BATTERY CABLE GROUP, T300 Model

355402

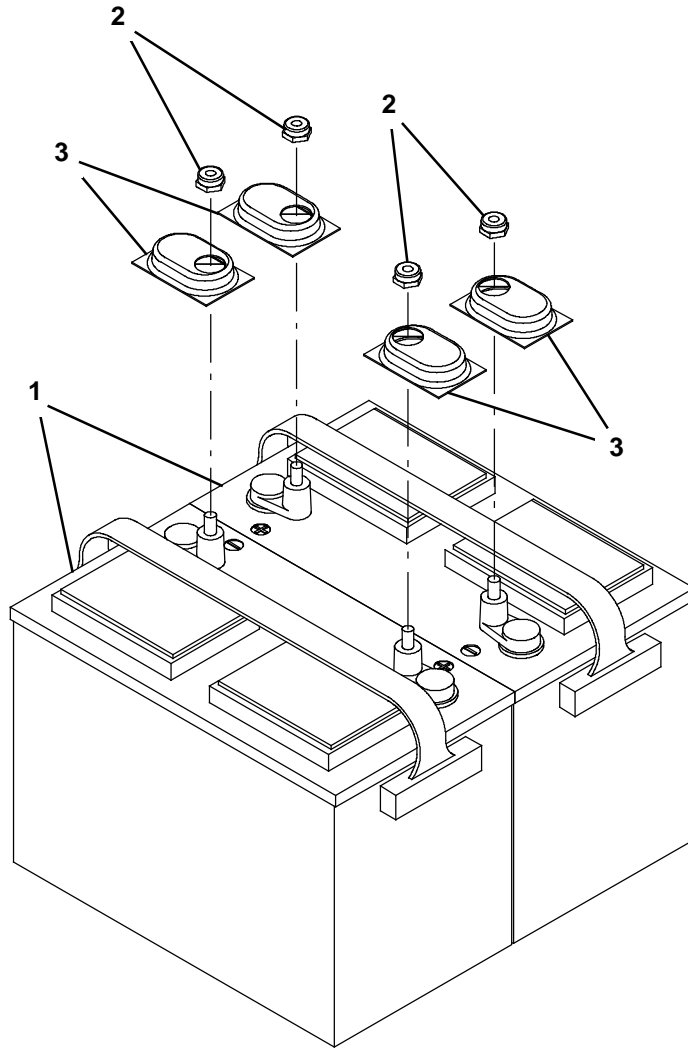


## BATTERY CABLE GROUP, T300 Model

Ref.	Part No.	Serial Number	Description	Qty.
1	1074848	(30056488- 40000000 )	Cable, Assy, Fuse [T300] (Standard - Without Battery Lift Out Tray Option)	1
▽	9014778	(30000000- 40000000 )	Cable Kit, Battery, Ring, Tray,Ci [T300] (Required for Battery Lift Out Kit Option)	1
▲	2 1073629	(30000000- 40000000 )	Cable, Battery, 4ga [M8 Ring/M8 Ring]	1
▲	3 1073628	(30000000- 40000000 )	Cable, Battery, 4ga [M8 Ring/M8 Ring]	1
▲	4 33931	(30000000- 40000000 )	Screw, Pan, Phl, M4 X 0.70 X 30, Ss	2
5	611221	(30056488- 40000000 )	Boot, Terminal, Battery, 25.4mm, Blk	2
5	611221	(30000000- 30056487 )	Boot, Terminal, Battery, 25.4mm, Blk	4
6	1073680	(30000000- 40000000 )	Cable, 04ga 15.0l Blk [M8 Ring/M8 Ring]	1

**BATTERY GROUP, 105AH C20 WET**

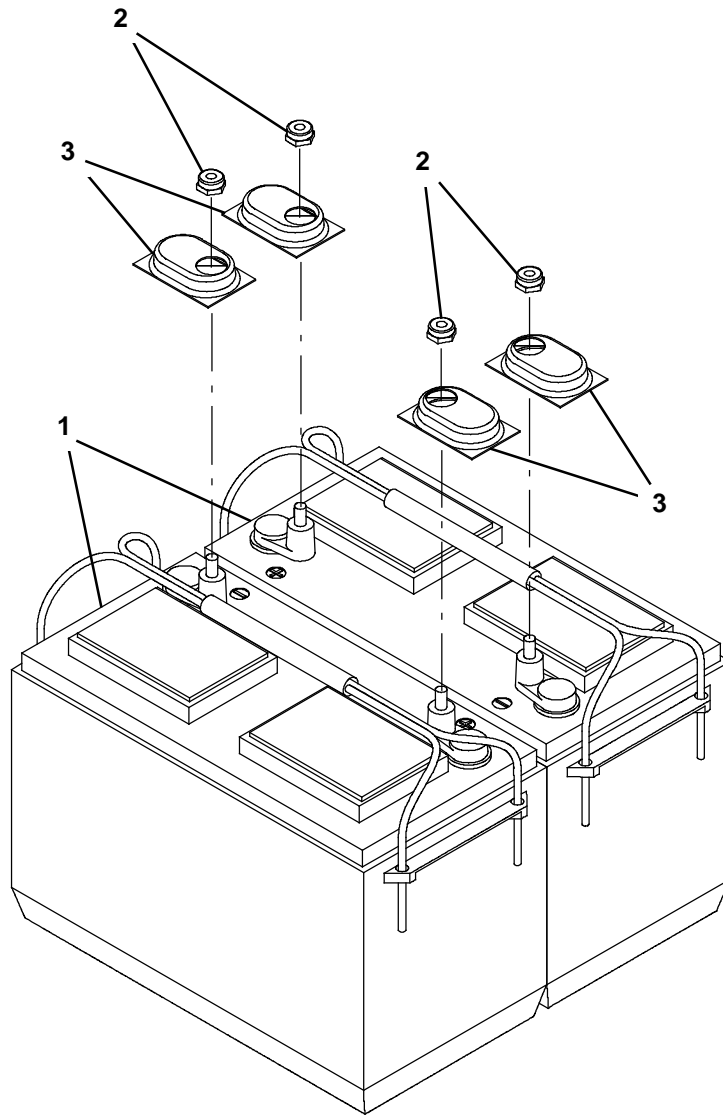
355359



Ref.	Part No.	Serial Number	Description	Qty.
1	578426	(30000000- 40000000 )	Battery, Wet, 12vdc 0105ah [S8, 27tmx]	2
2	87435	(30000000- 40000000 )	Nut, Hex, Flexlock, .31 - 18	4
3	45962	(30000000- 40000000 )	Cap, Battery, White [For 105ah & 130ah]	4

BATTERY GROUP, 130AH C20 WET

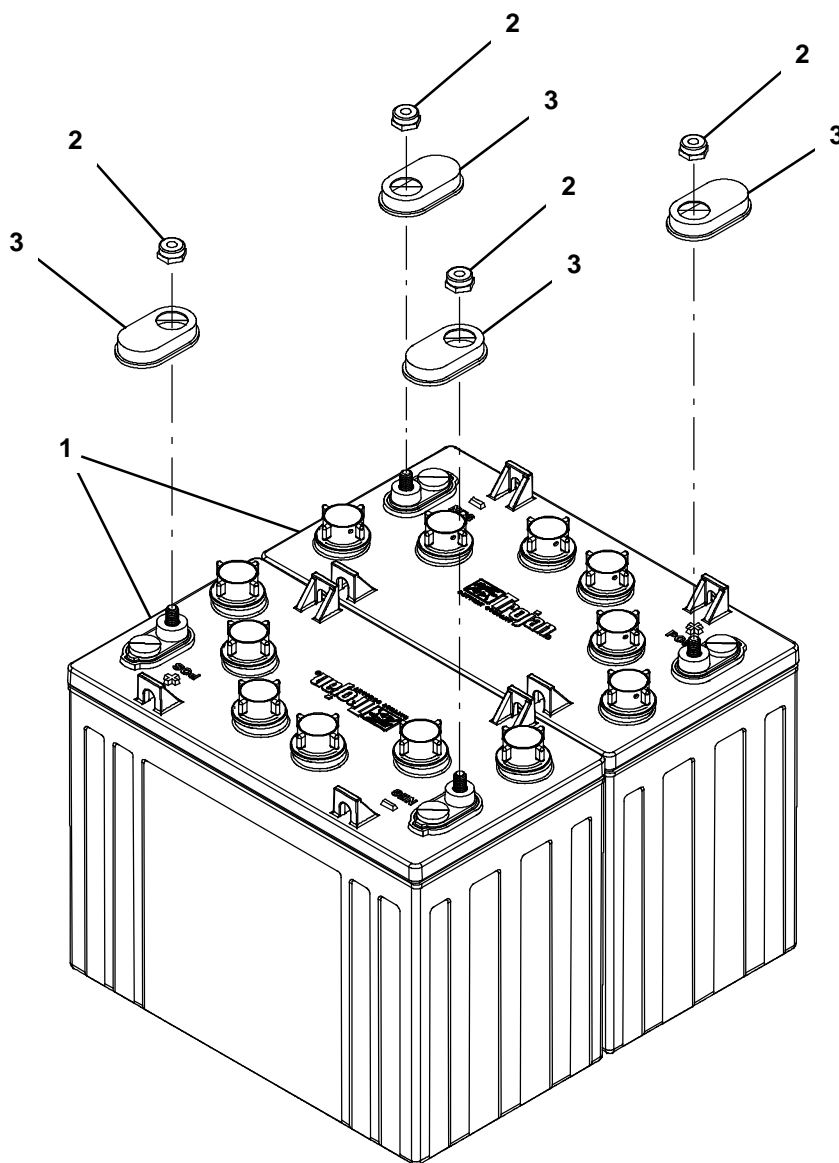
355360



Ref.	Part No.	Serial Number	Description	Qty.
1	130869	(30000000- 40000000 )	Battery, Wet, 12vdc 0130ah [30xhs- Wnt]	2
2	87435	(30000000- 40000000 )	Nut, Hex, Flexlock, .31- 18	4
3	45962	(30000000- 40000000 )	Cap, Battery, White [For 105ah & 130ah]	4

## BATTERY GROUP, 155AH C20 WET

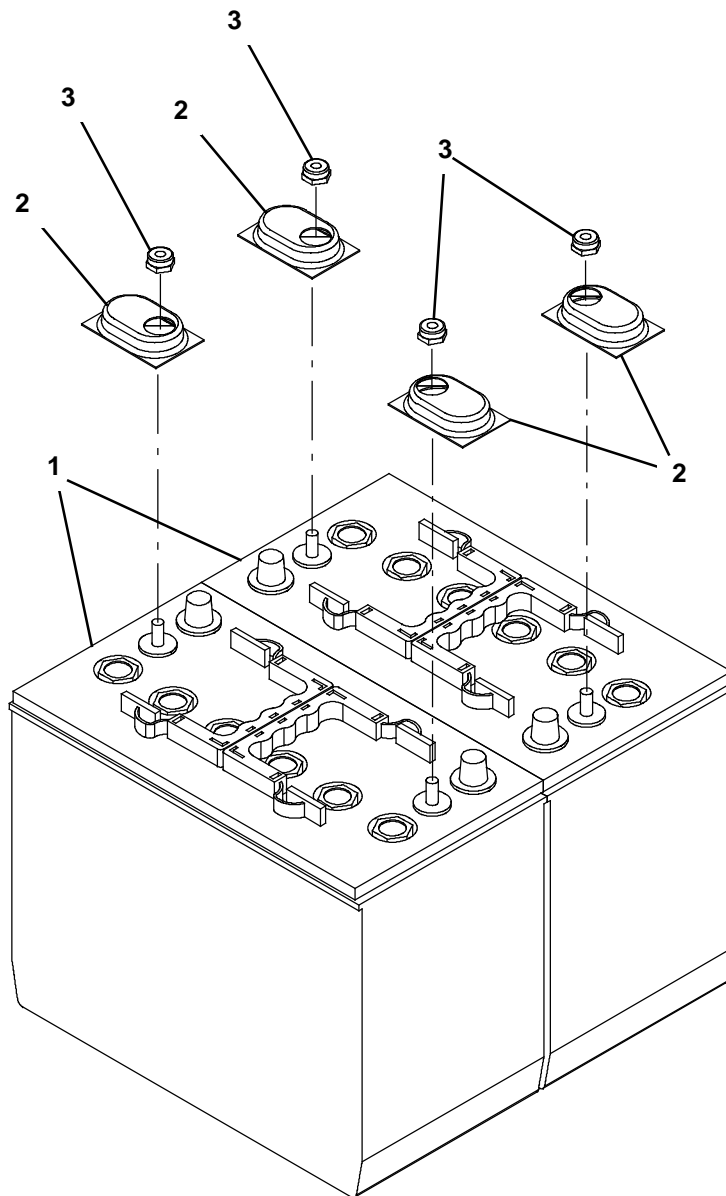
355361



Ref.	Part No.	Serial Number	Description	Qty.
1	1015046	(30000000- 40000000 )	Battery, Wet, 12vdc 0155ah	2
2	87435	(30000000- 40000000 )	Nut, Hex, Flexlock, .31 - 18	4
3	1041030	(30000000- 40000000 )	Cap, Battery, Black [For 155ah]	4

BATTERY GROUP, 140AH C20 AGM

355362



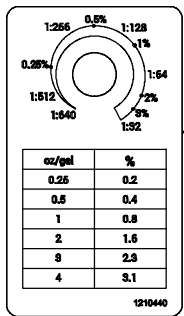
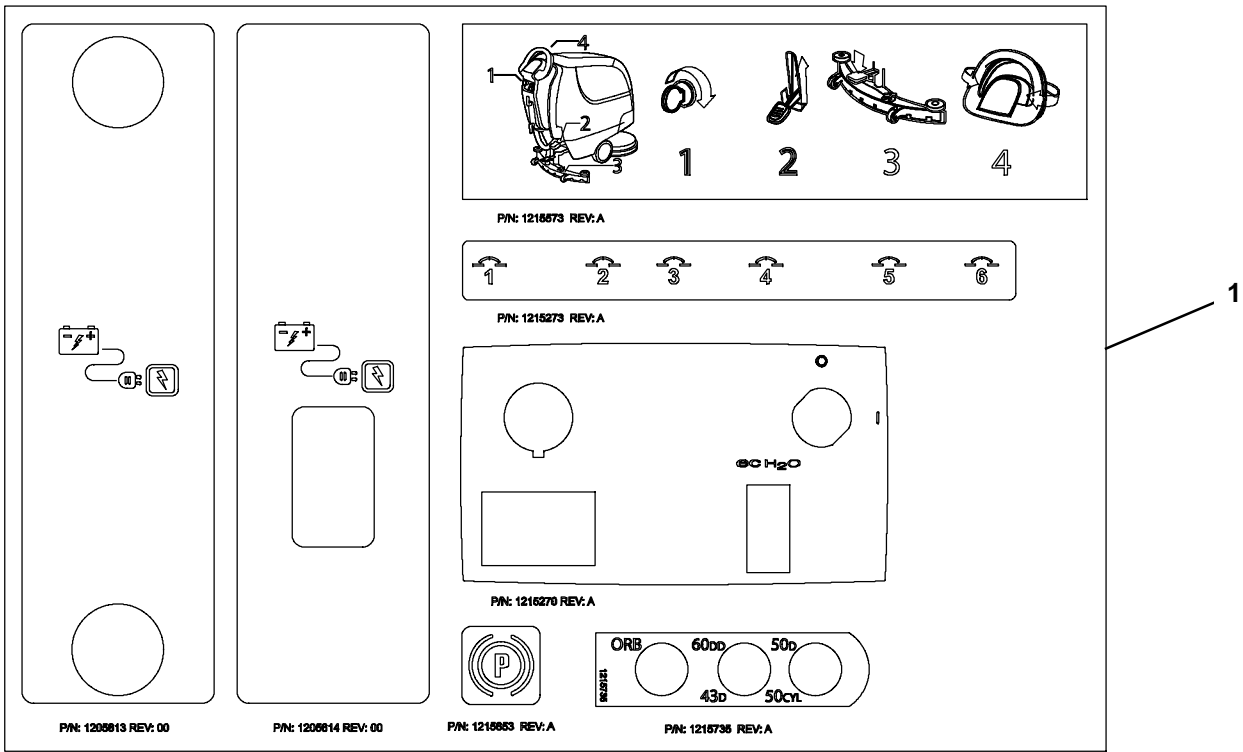
Ref.	Part No.	Serial Number	Description	Qty.
▽	1	1053408	(30000000-40000000 ) Battery, 12vdc 0140ah [Agm]	2
▲	2	45962	(30000000-40000000 ) Cap, Battery, White [For 105ah & 130ah]	4
	3	87435	(30000000-40000000 ) Nut, Hex, Flexlock, .31- 18	4

▽ ASSEMBLY

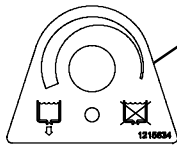
▲ INCLUDED IN ASSEMBLY

LABEL GROUP

355384



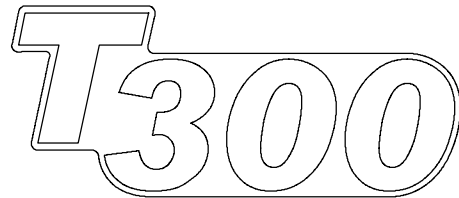
P/N: 1210440 REV: B



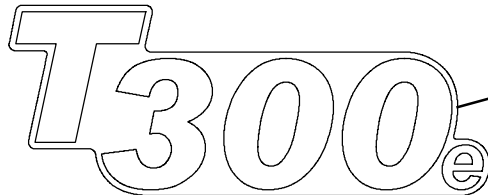
P/N: 1215654 REV: A



4



5



6

500 x 355 mm / 20 x 14 in

3



7

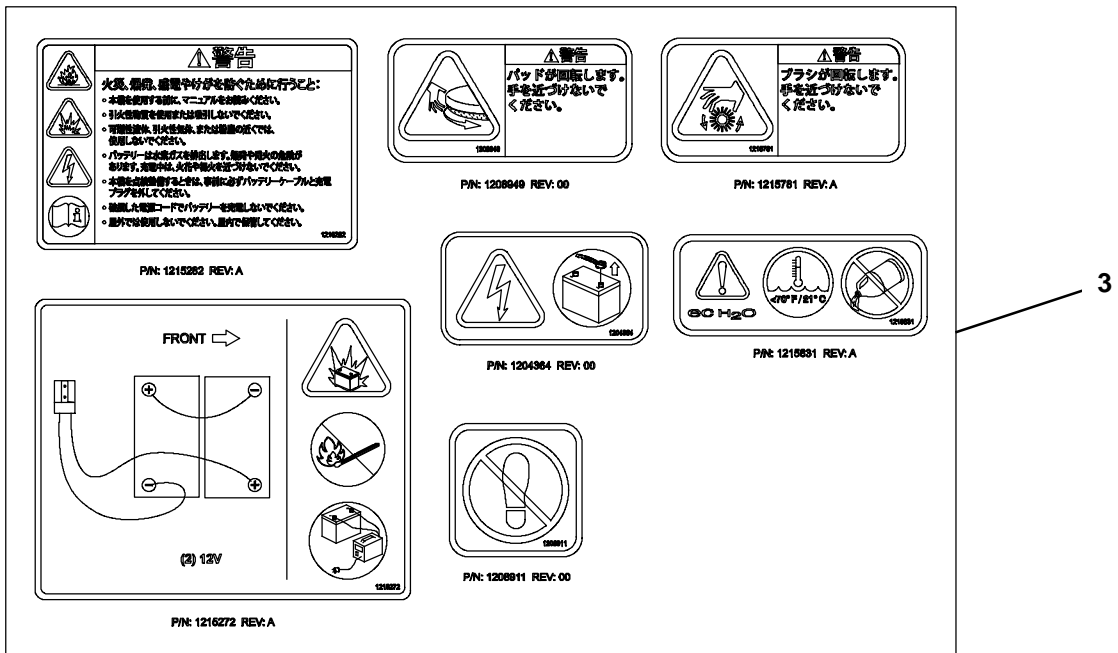
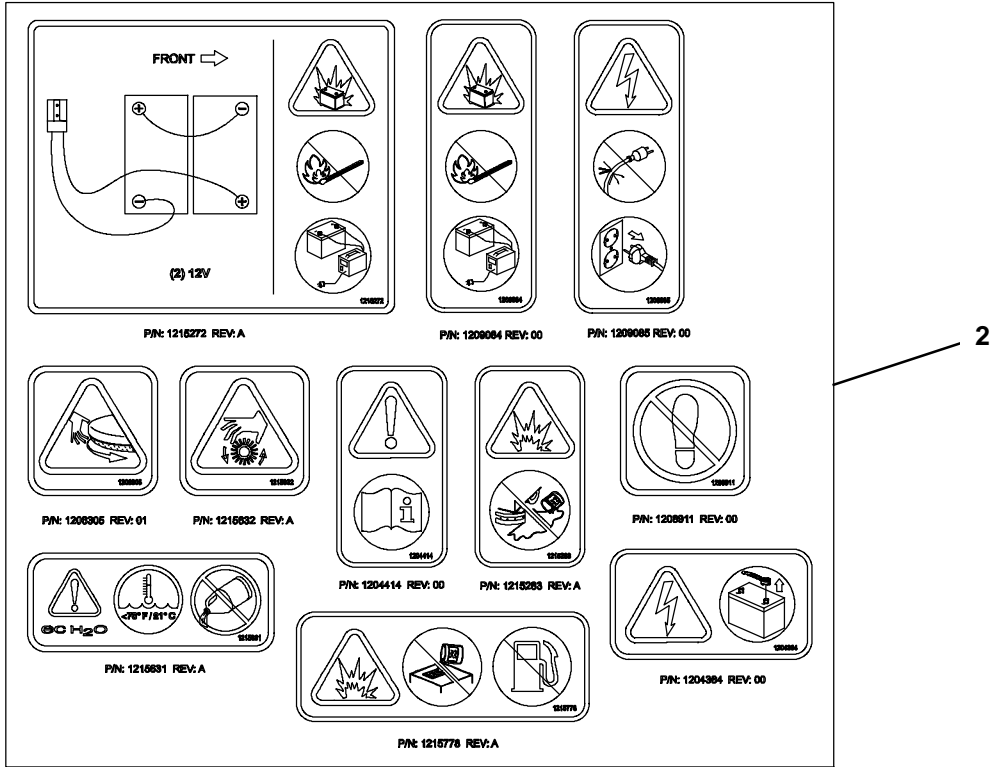
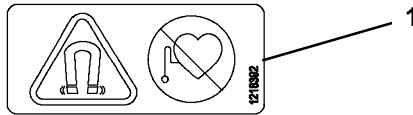


## LABEL GROUP

Ref.	Part No.	Serial Number	Description	Qty.
1	1215777	(30000000- 40000000 )	Label Sheet, Operational	1
2	1210440	(30000000- 40000000 )	Label, Opertnl, Detergent Metering (Severe Environment)	1
3	1214279	(30000000- 40000000 )	Label, Orbital, Size, 50cm (Orbital Head)	1
4	1205477	(30000000- 40000000 )	Nameplate, Tennant, Dome, 5.5in (T300 Model)	1
4	1213114	(30000000- 40000000 )	Label, Logo, 05.5l, Blk/Sil [Tennant] (T300e Model)	1
5	1215262	(30000000- 40000000 )	Label, T300	2
6	1215263	(30000000- 40000000 )	Label, T300e	2
7	1216520	(30000000- 40000000 )	Label, Logo [Ech2o Nano] (ec- H2O Model)	2
8	1215634	(30000000- 40000000 )	Label, Opertnl, Solution Knob Adj (T300e Model)	1

LABEL GROUP - CONT'D

355386



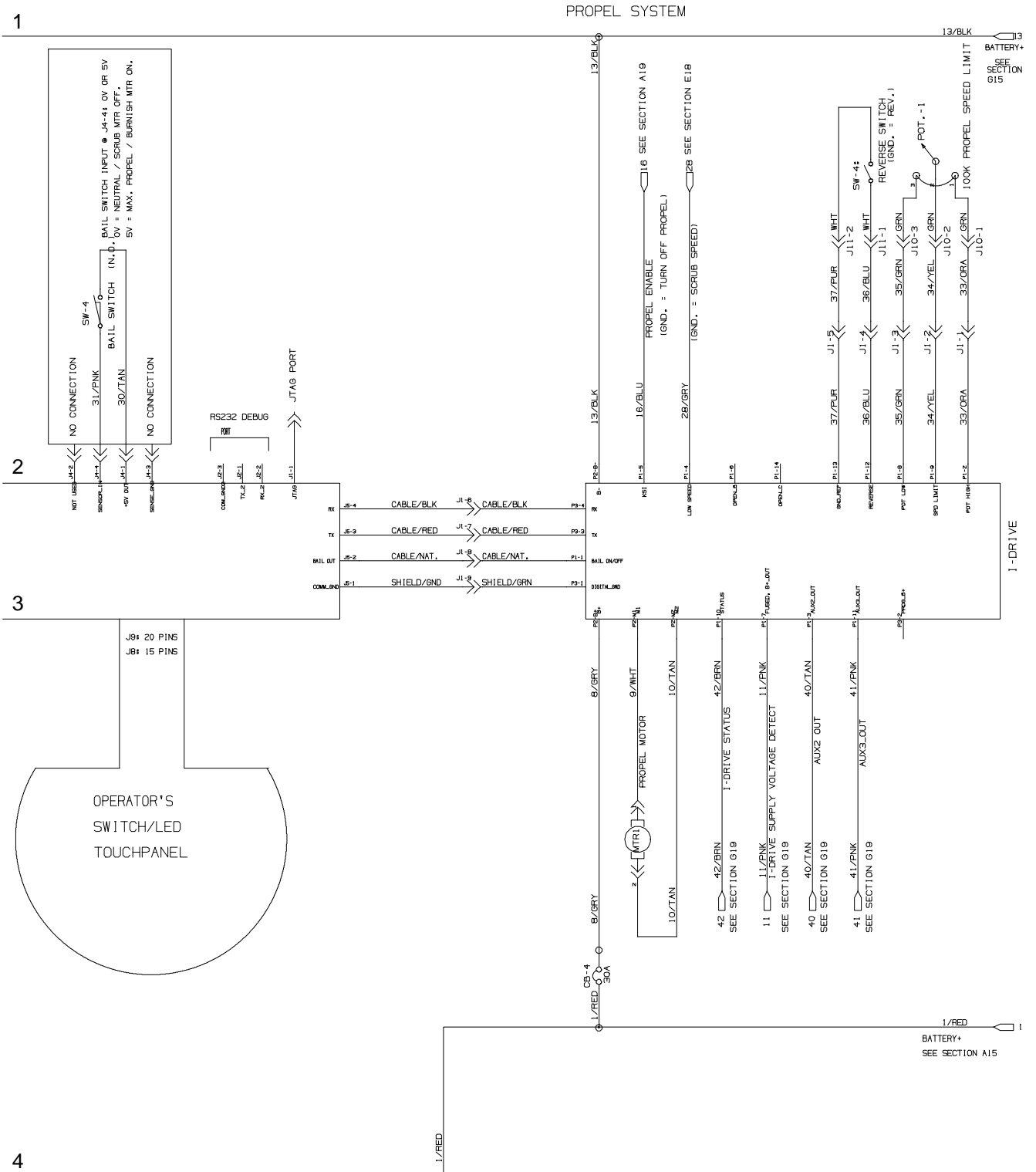
## LABEL GROUP - CONT'D

Ref.	Part No.	Serial Number	Description	Qty.
1	1218392	(30000000- 40000000 )	Label, Safety, Magnet, Med (Magnetic Heads)	1
2	1215776	(30000000- 40000000 )	Label Sheet, Info/Hzrd [Ce] (China)	1
3	1215775	(30000000- 40000000 )	Label Sheet, Info/Hzrd [Jp] (Japan)	1



ELECTRICAL DIAGRAM, PROPEL MEMBRANE T300 (PAGE 2 OF 4)

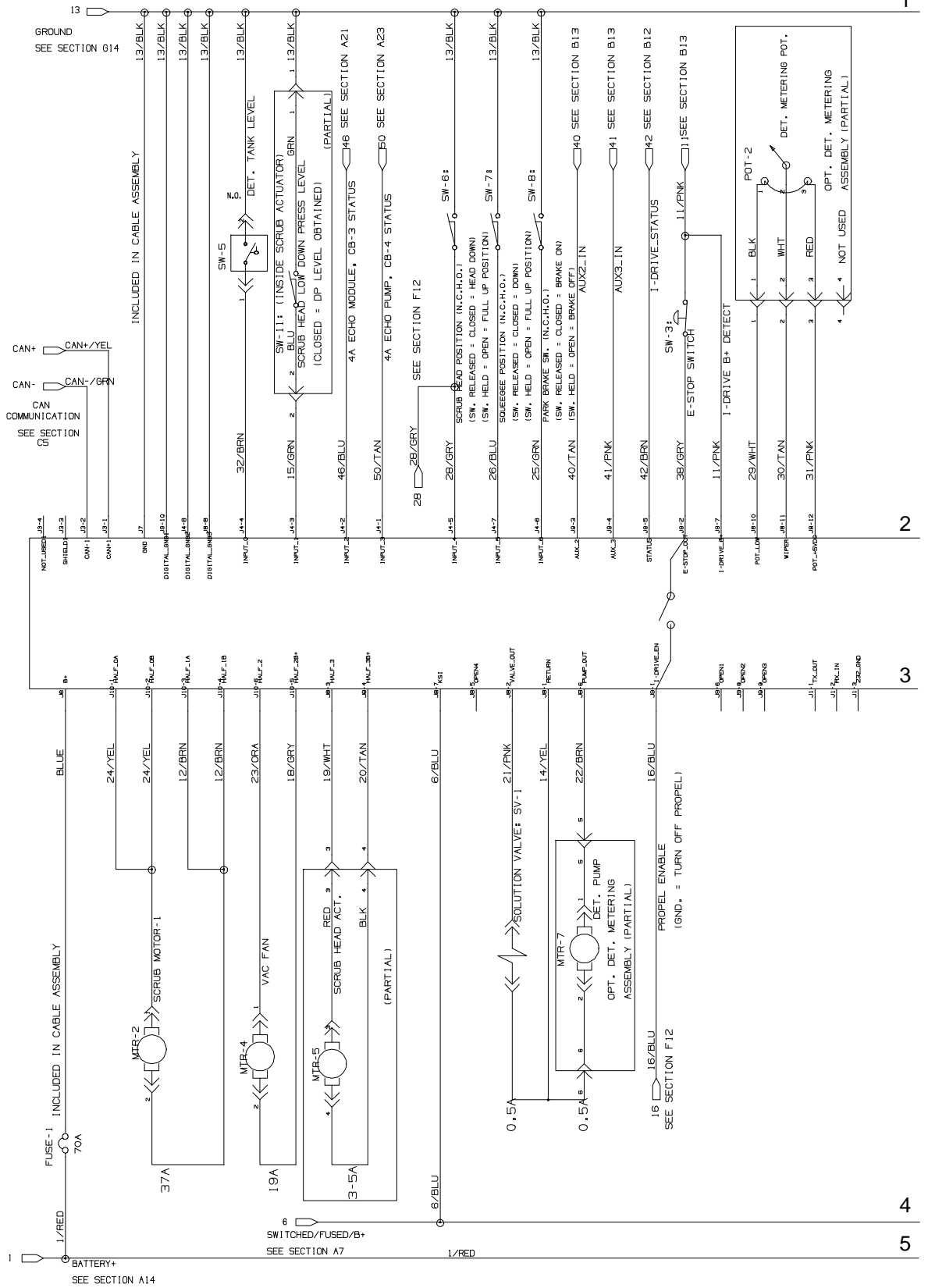
1074705\_00



ELECTRICAL DIAGRAM, PROPEL MEMBRANE T300 (PAGE 3 OF 4)

PREMIUM CONTROLLER

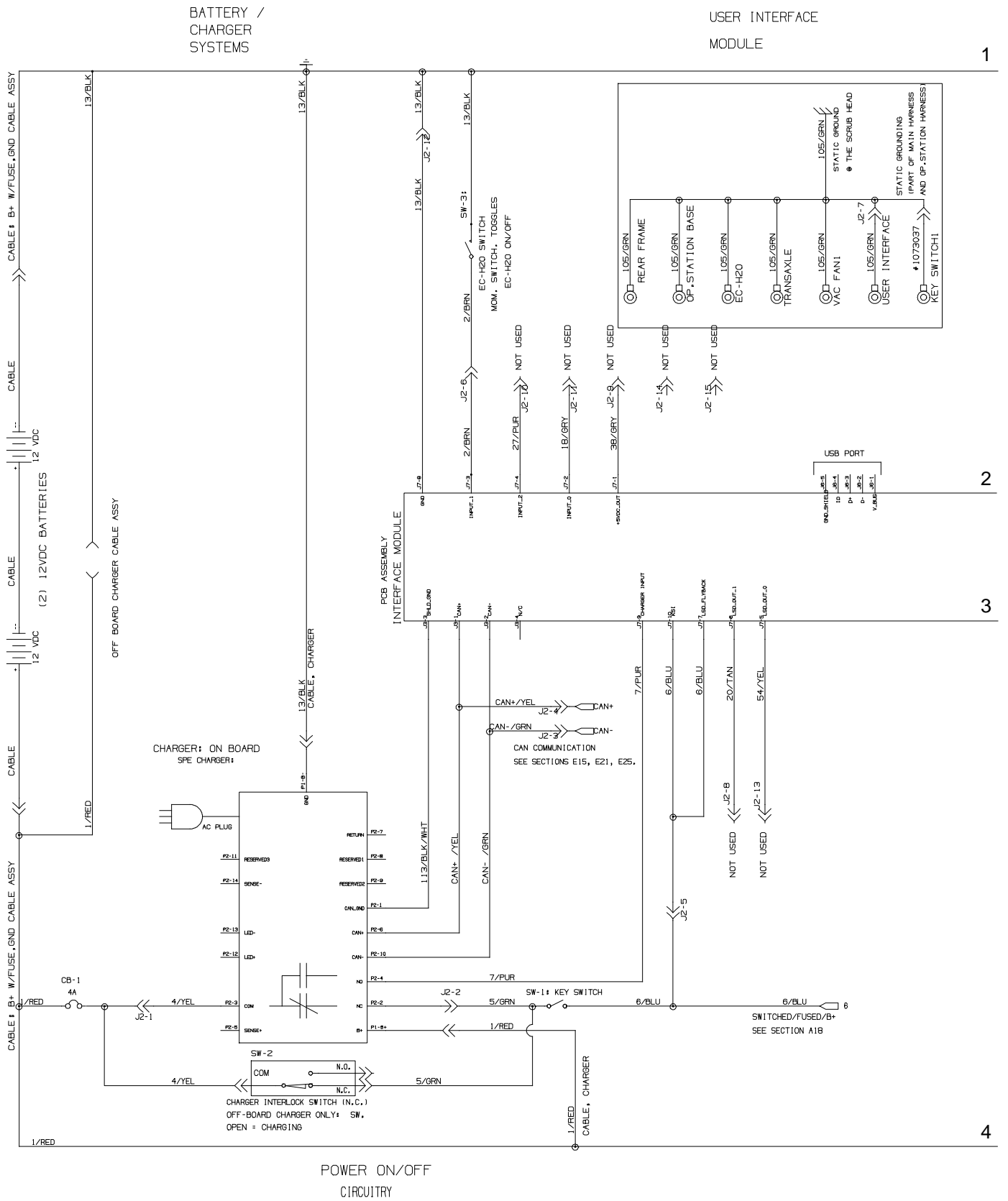
1074705\_00





ELECTRICAL DIAGRAM, PUSH MEMBRANE T300 (PAGE 1 OF 4)

1074706\_00





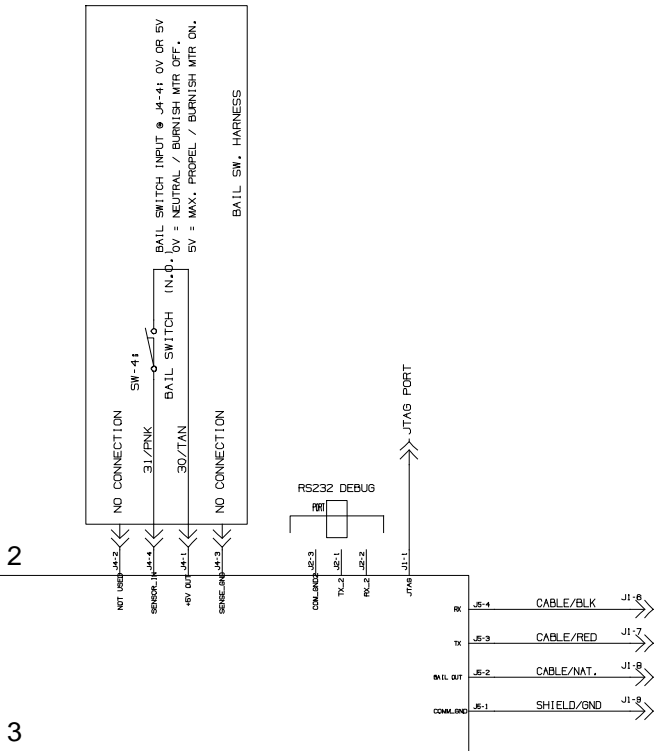
ELECTRICAL DIAGRAM, PUSH MEMBRANE T300 (PAGE 2 OF 4)

1074706\_00

PROPEL SYSTEM

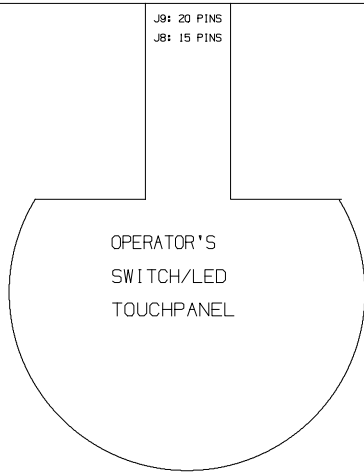
1

13/BLK  
BATTERY+  
SEE SECTION  
G15



2

3



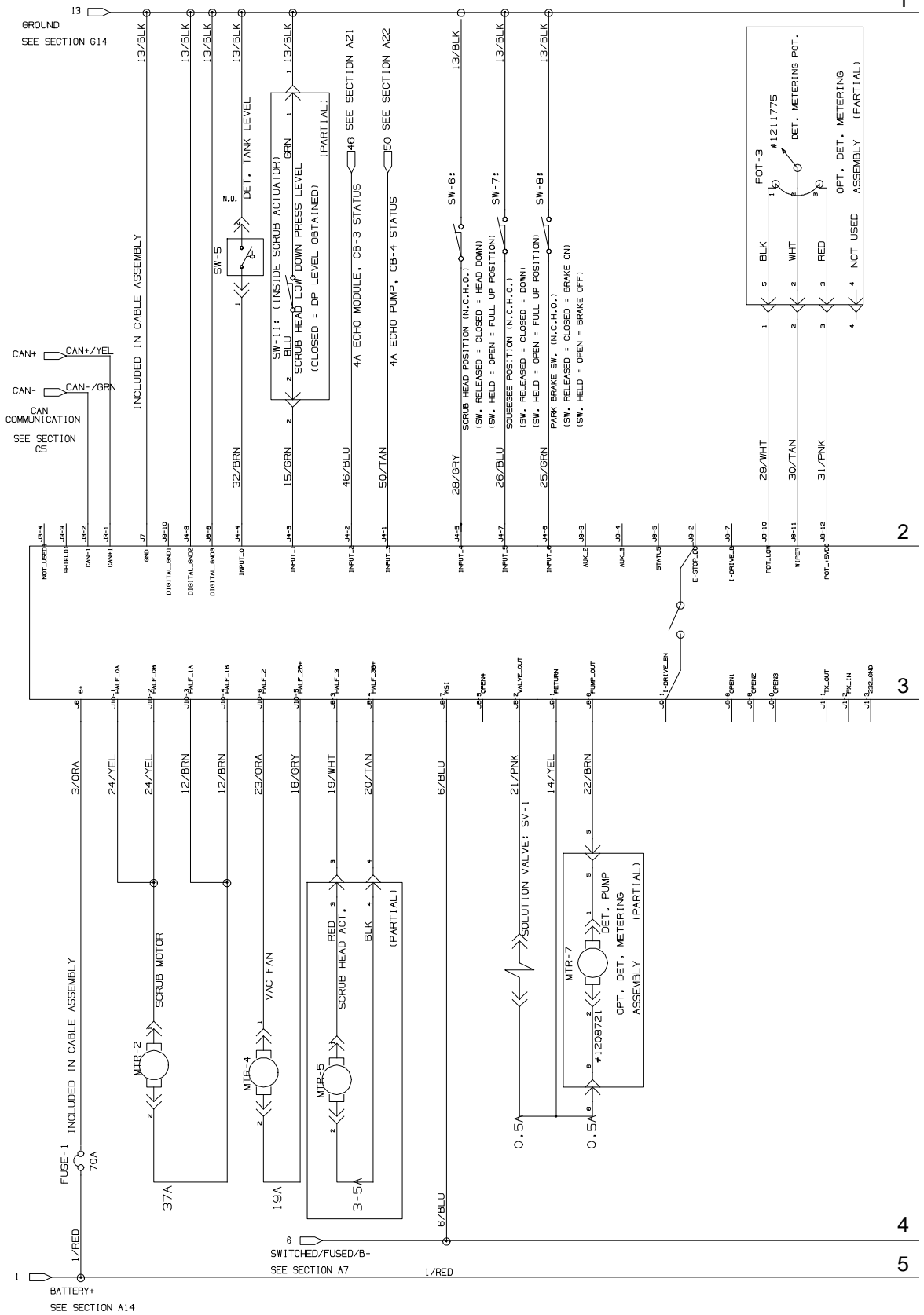
4



ELECTRICAL DIAGRAM, PUSH MEMBRANE T300 (PAGE 3 OF 4)

PREMIUM CONTROLLER

1074706\_00



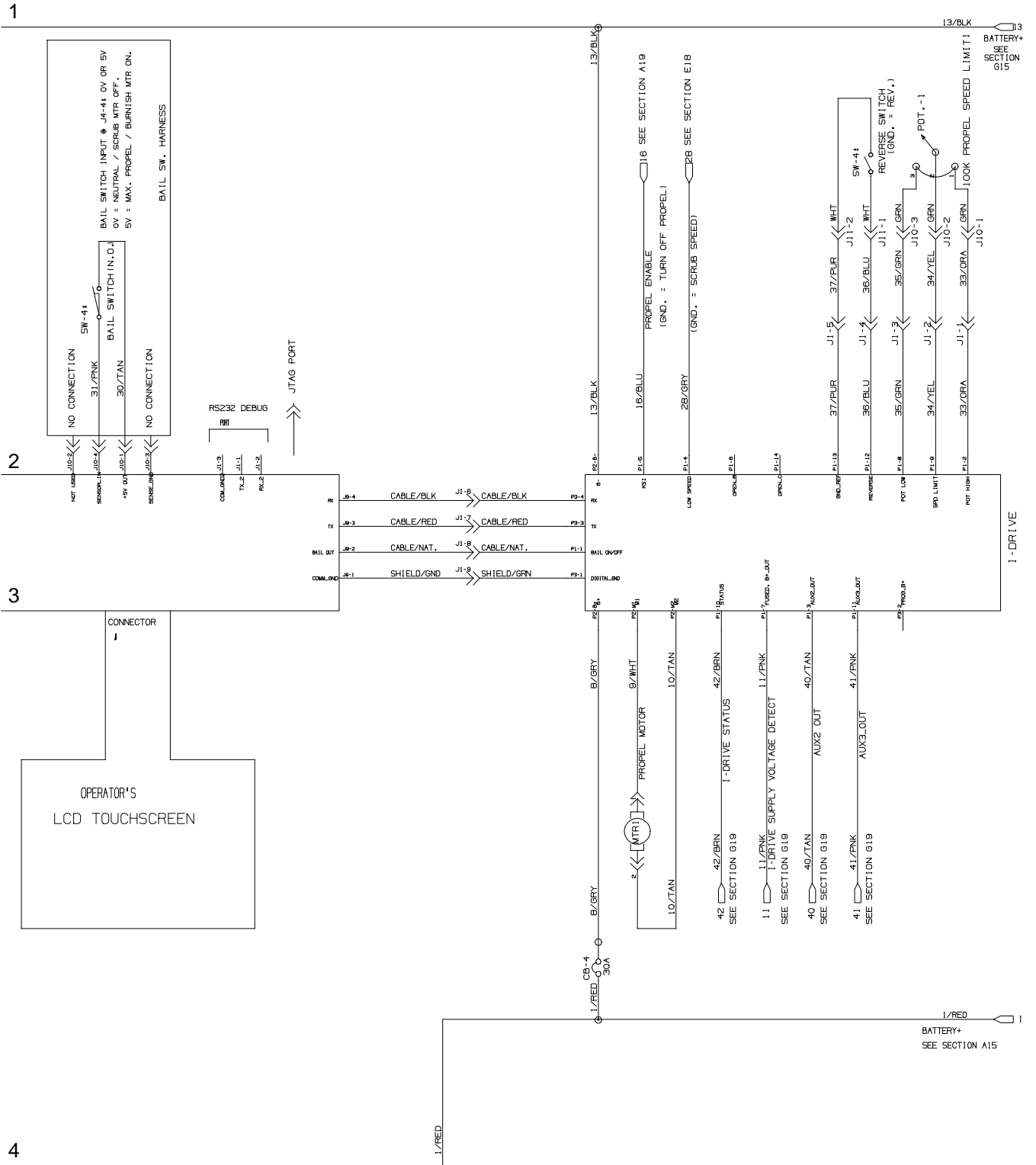




ELECTRICAL DIAGRAM, PROPEL PRO-PANEL (LCD) T300 (PAGE 2 OF 4)

1074705\_00

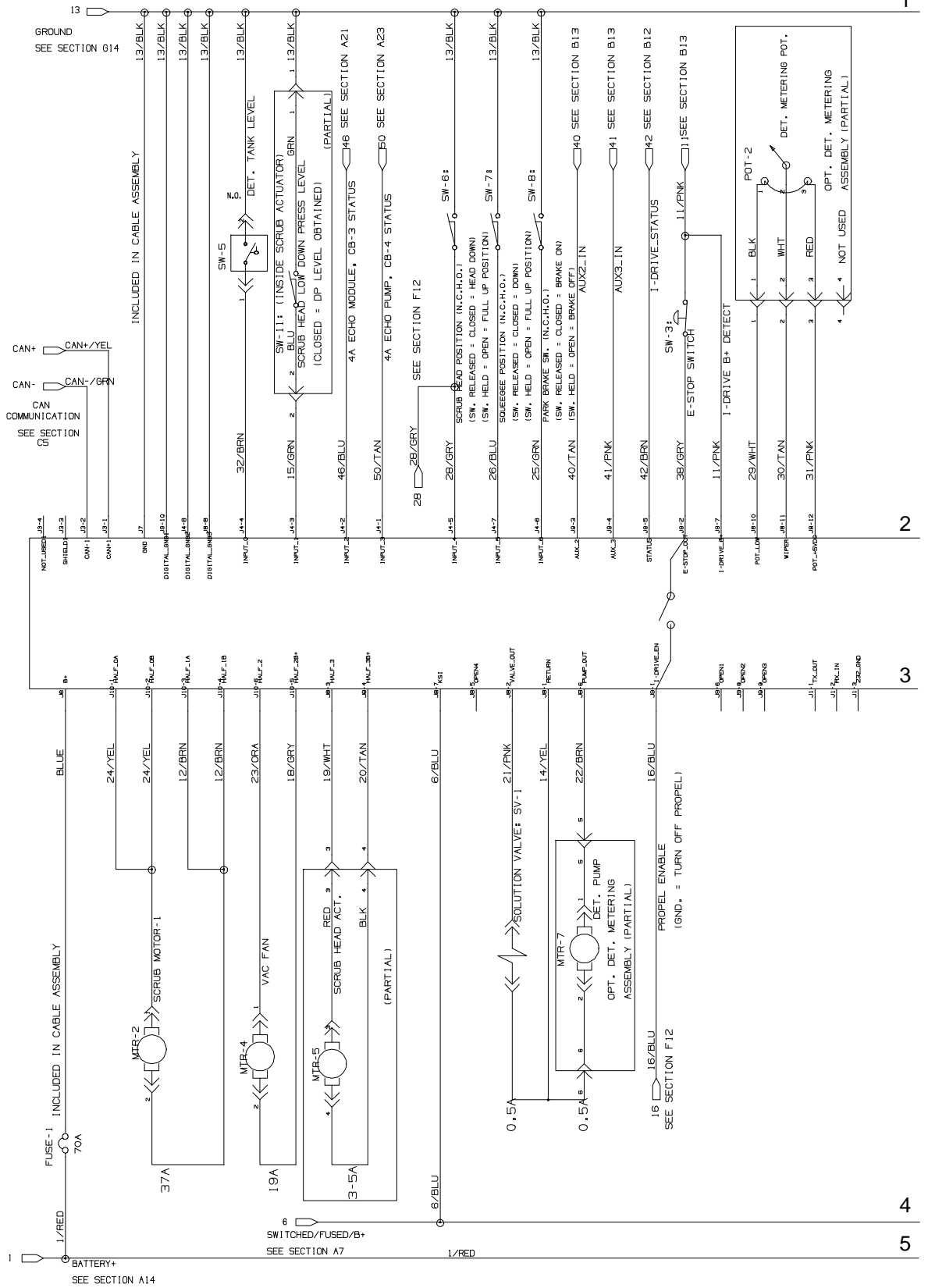
PROPEL SYSTEM



ELECTRICAL DIAGRAM, PROPEL PRO-PANEL (LCD) T300 (PAGE 3 OF 4)

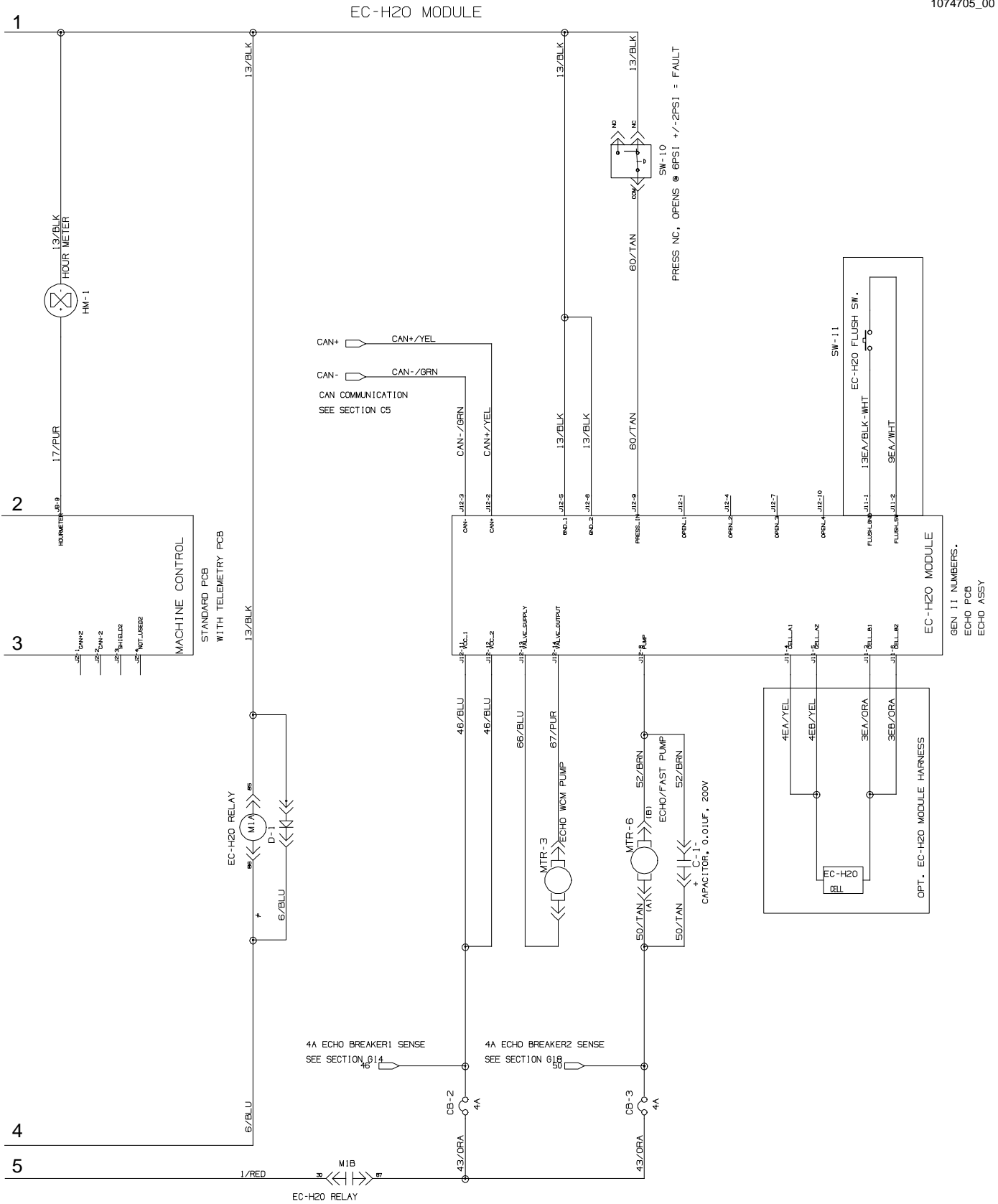
PREMIUM CONTROLLER

1074705\_00



ELECTRICAL DIAGRAM, PROPEL PRO-PANEL (LCD) T300 (PAGE 4 OF 4)

1074705\_00







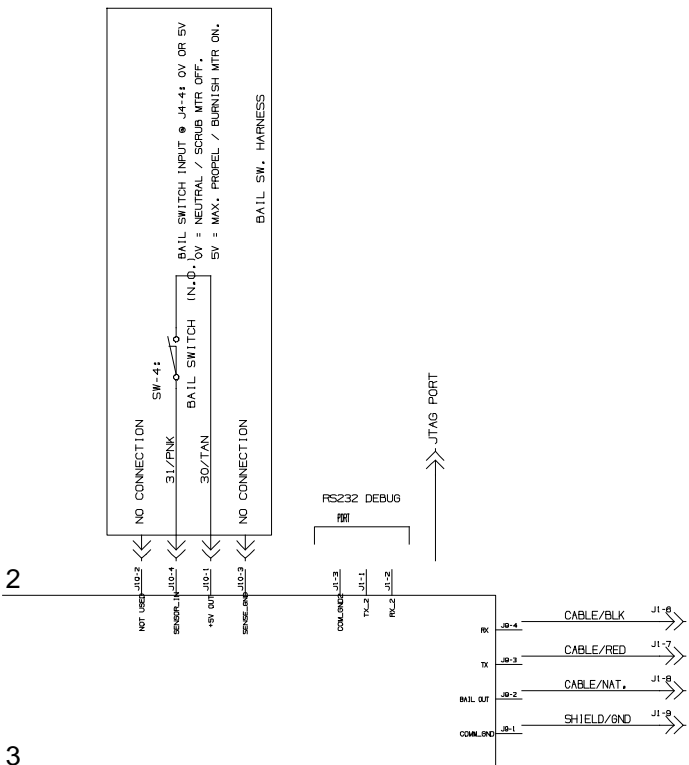
ELECTRICAL DIAGRAM, PUSH PRO-PANEL (LCD) T300 (PAGE 2 OF 4)

1074706\_00

PROPEL SYSTEM

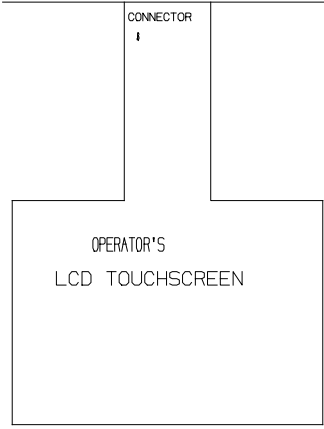
13/BLK  
BATTERY+  
SEE SECTION G15

1

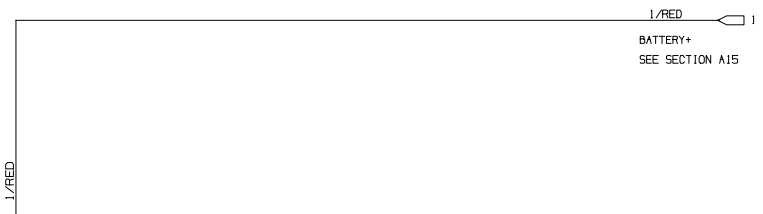


2

3



4

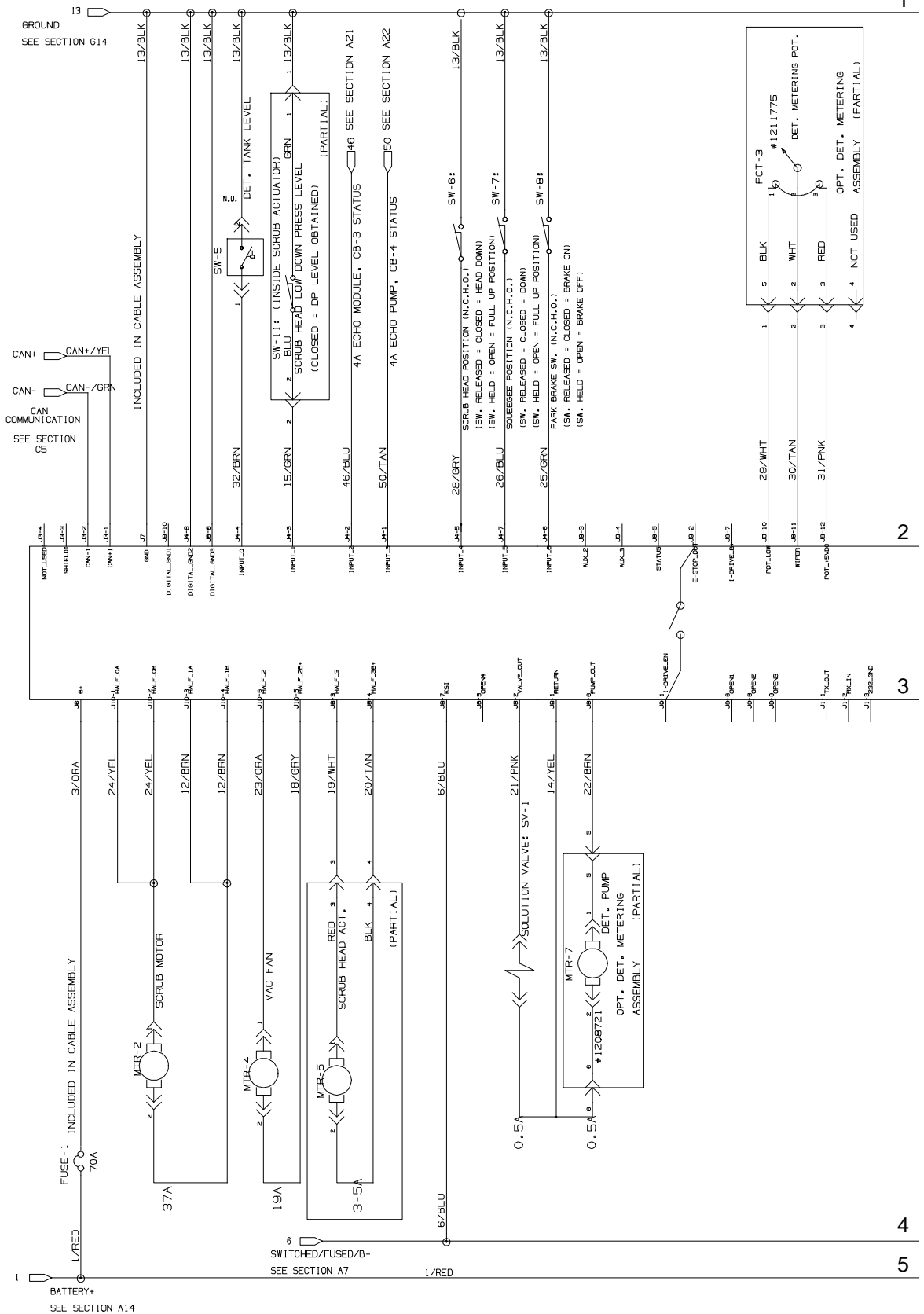


1/RED  
BATTERY+  
SEE SECTION A15

ELECTRICAL DIAGRAM, PUSH PRO-PANEL (LCD) T300 (PAGE 3 OF 4)

PREMIUM CONTROLLER

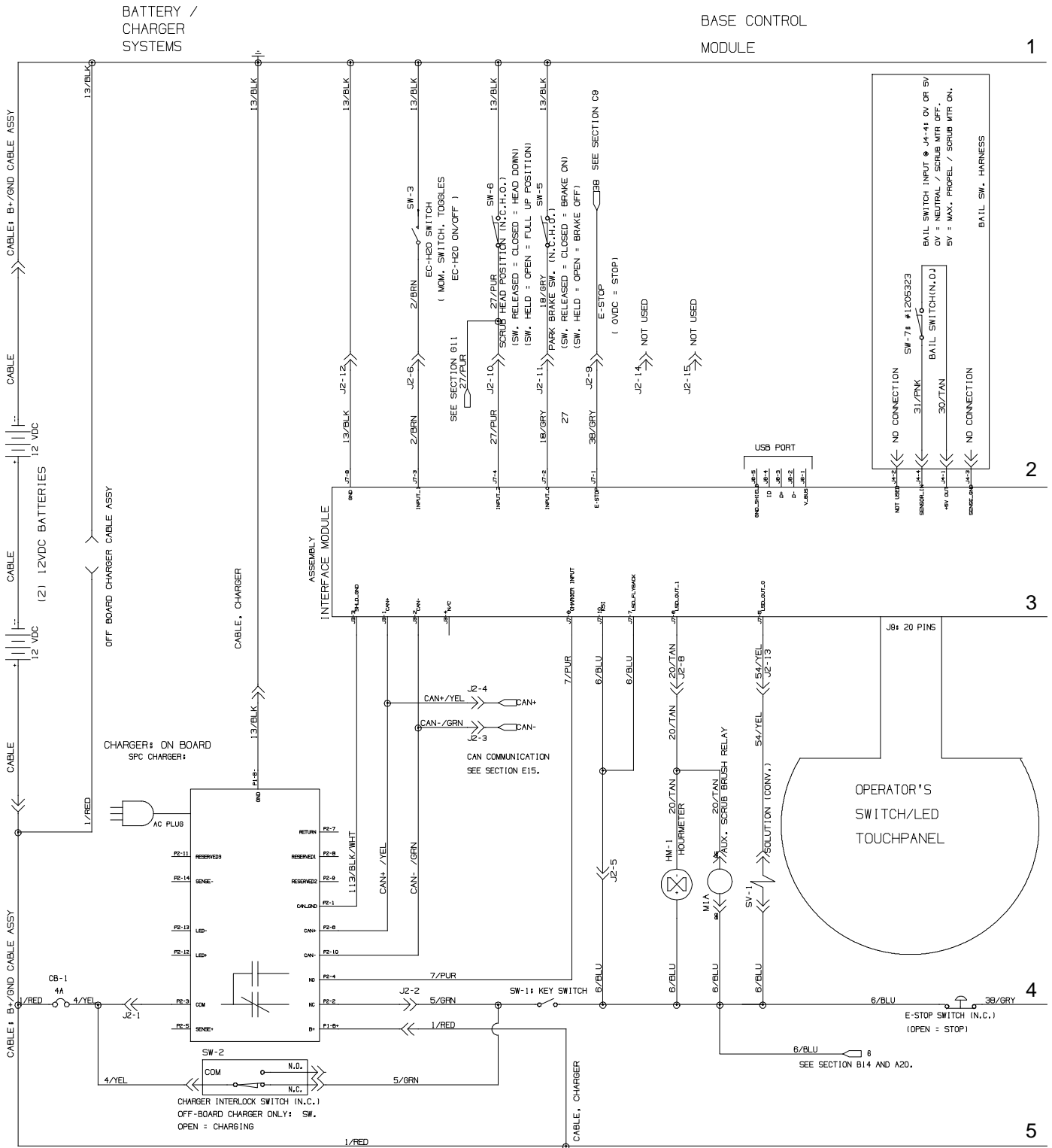
1074706\_00





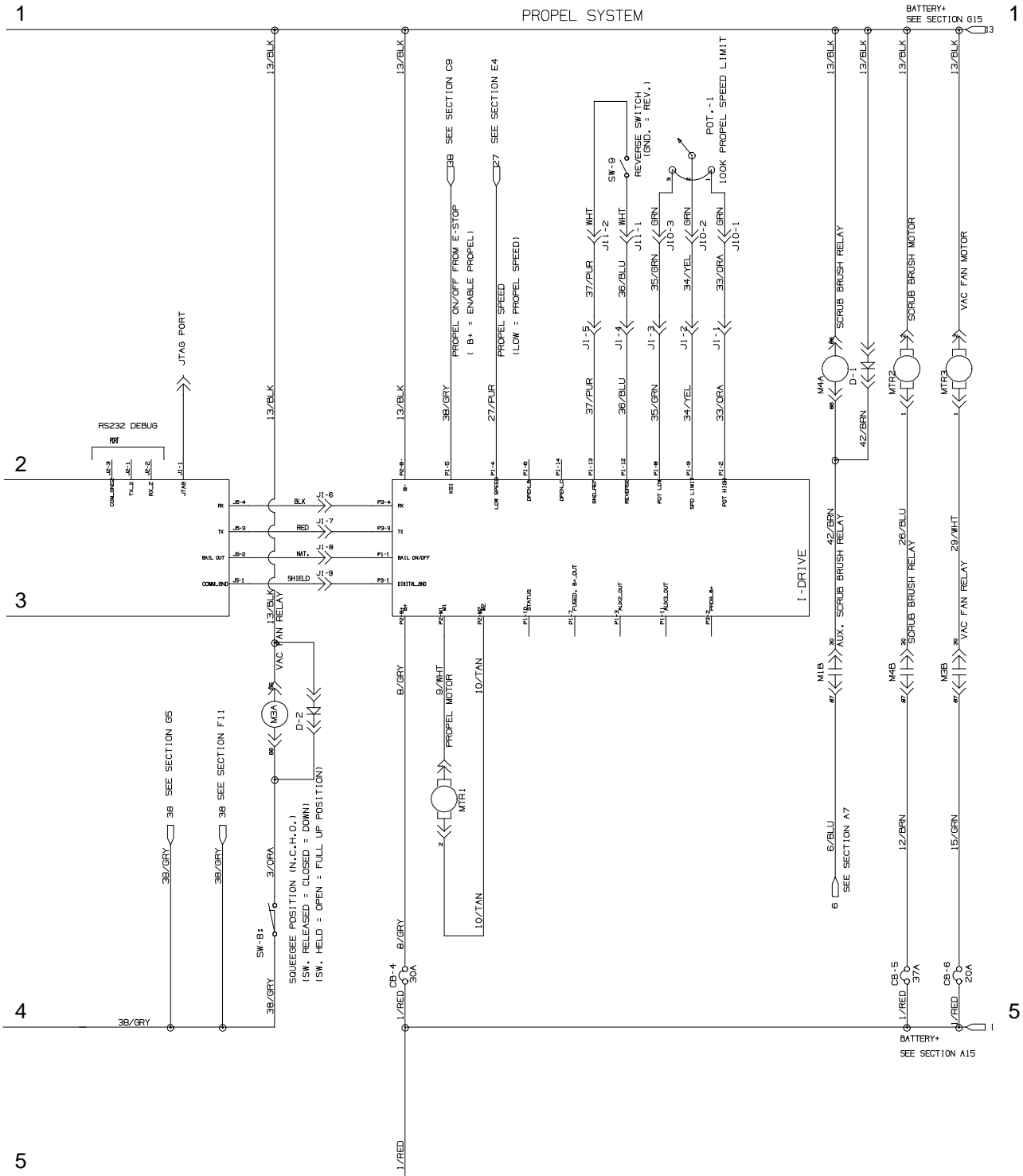
## ELECTRICAL DIAGRAM, PROPEL T300e (PAGE 1 OF 3)

1074707\_00



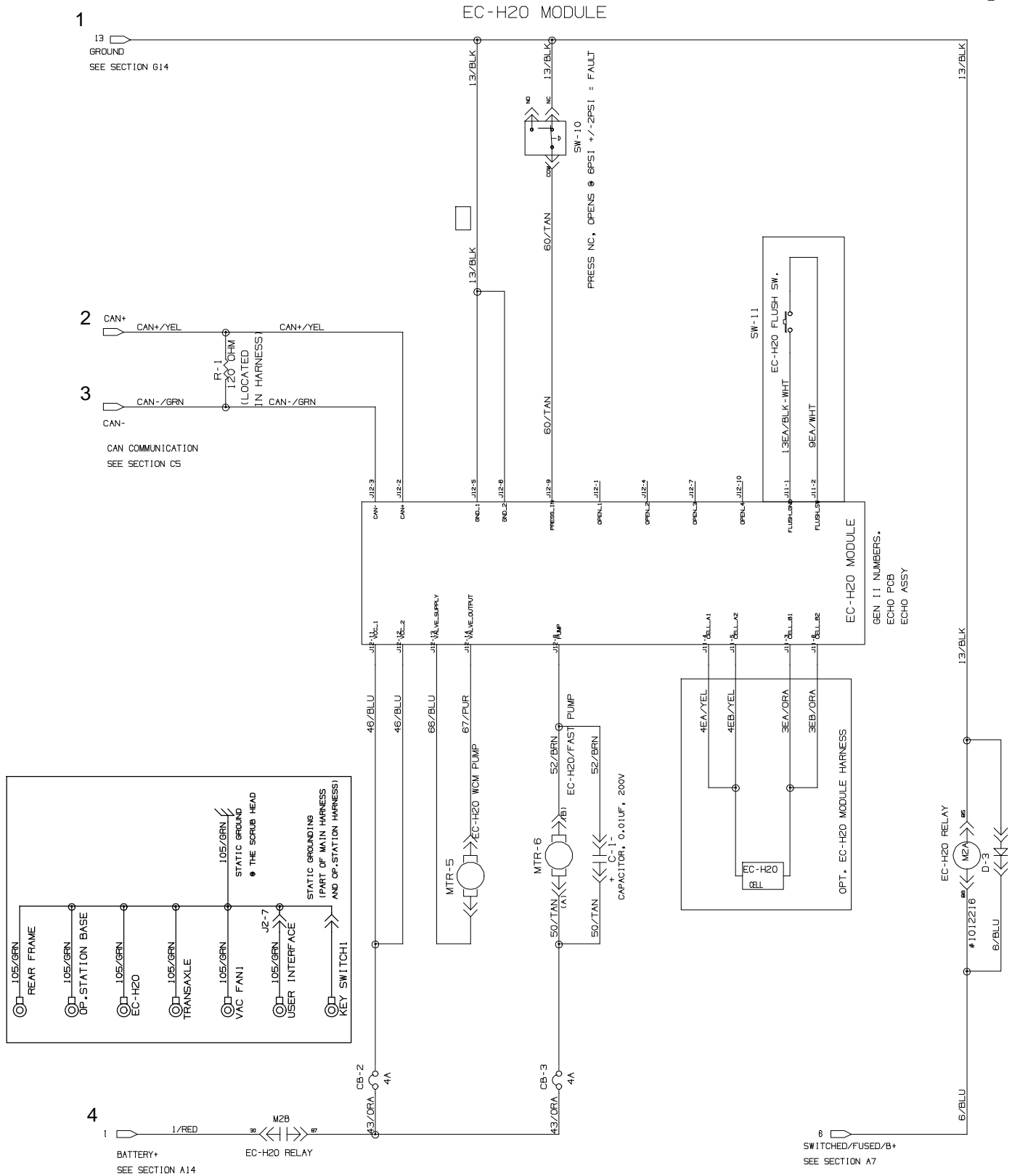
ELECTRICAL DIAGRAM, PROPEL T300e (PAGE 2 OF 3)

1074707\_00



ELECTRICAL DIAGRAM, PROPEL T300e (PAGE 3 OF 3)

1074707\_00

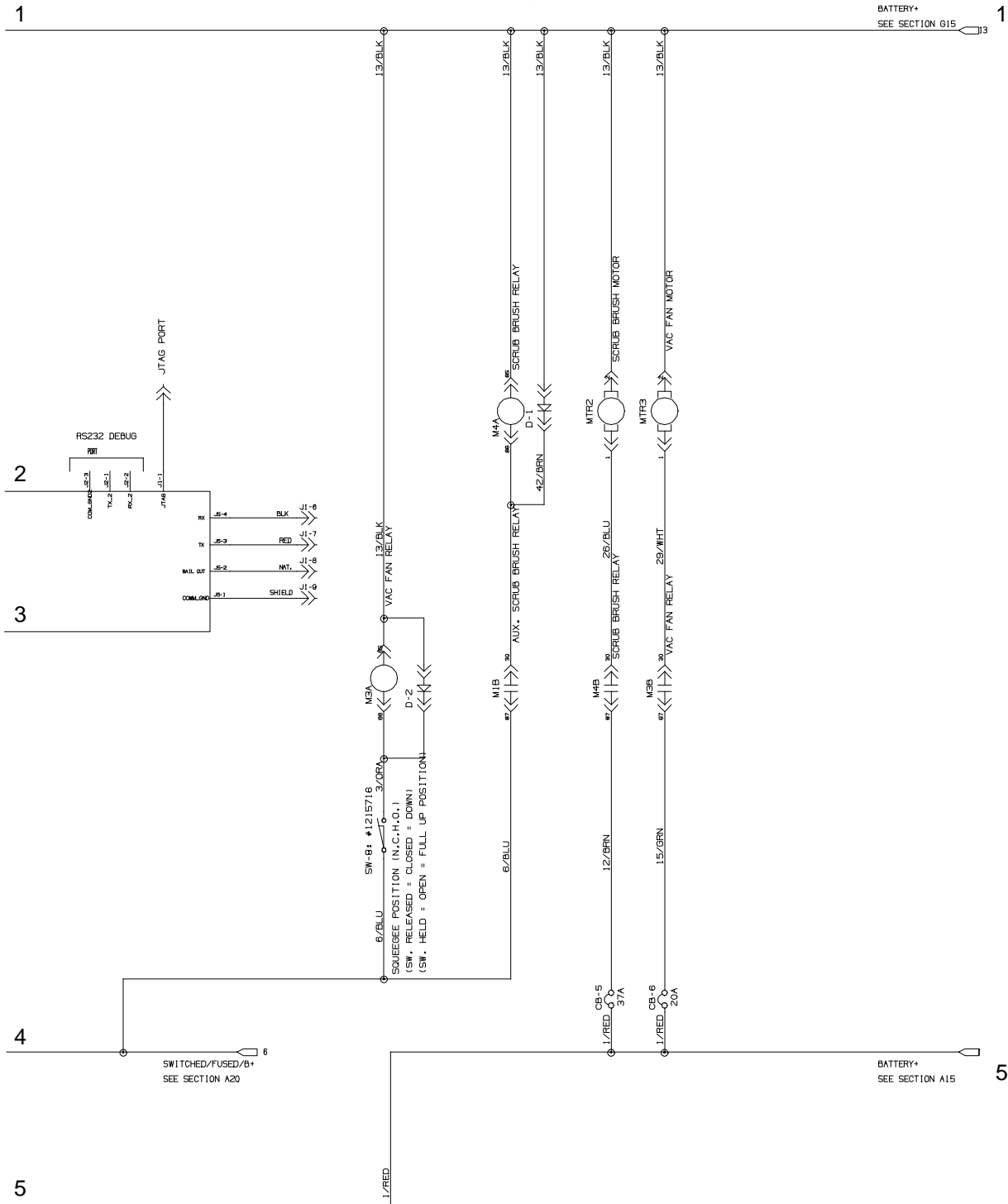




## ELECTRICAL DIAGRAM, PUSH T300e (PAGE 2 OF 3)

1074708\_00

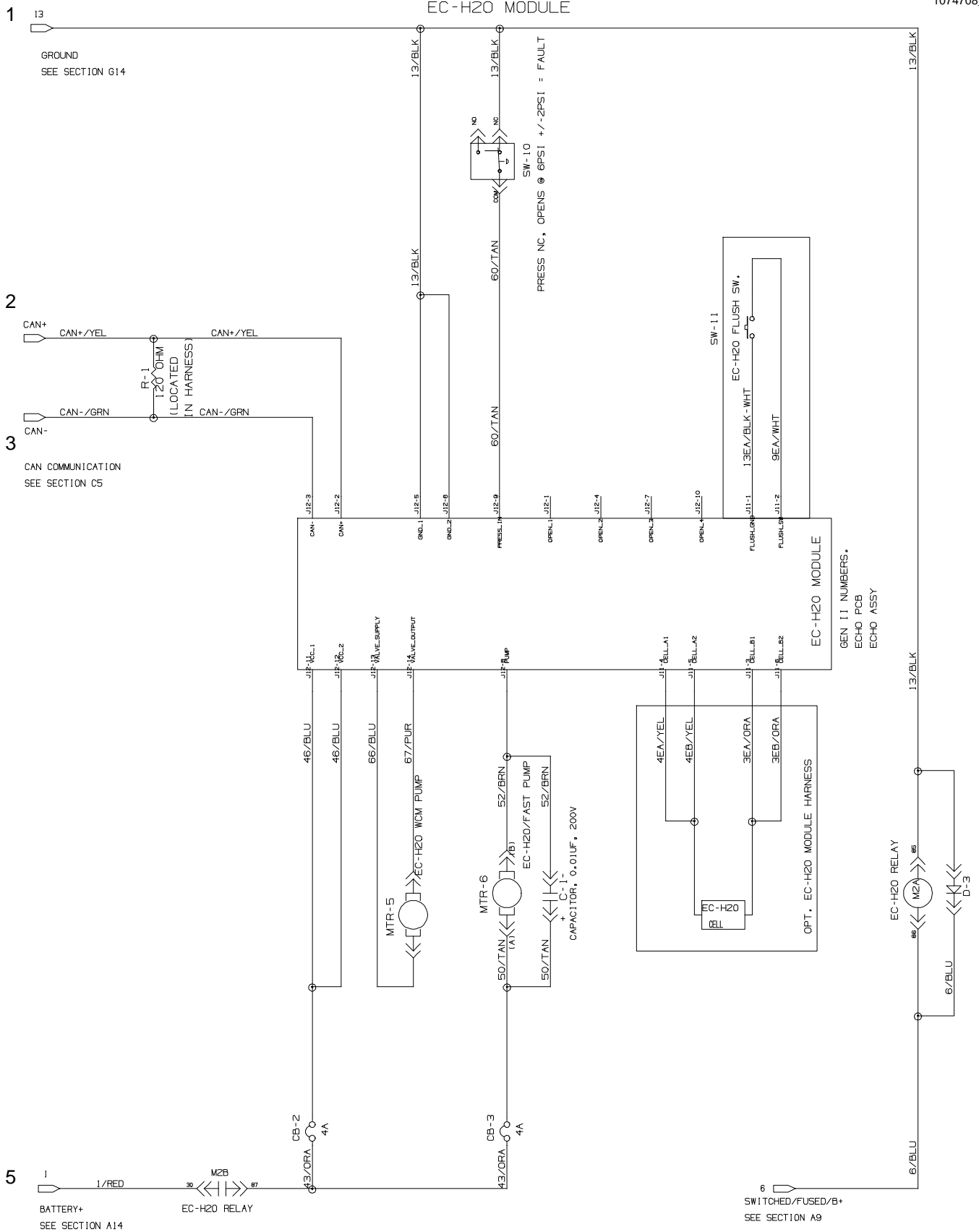
### PROPEL SYSTEM





ELECTRICAL DIAGRAM, PUSH T300e (PAGE 3 OF 3)

1074708\_00

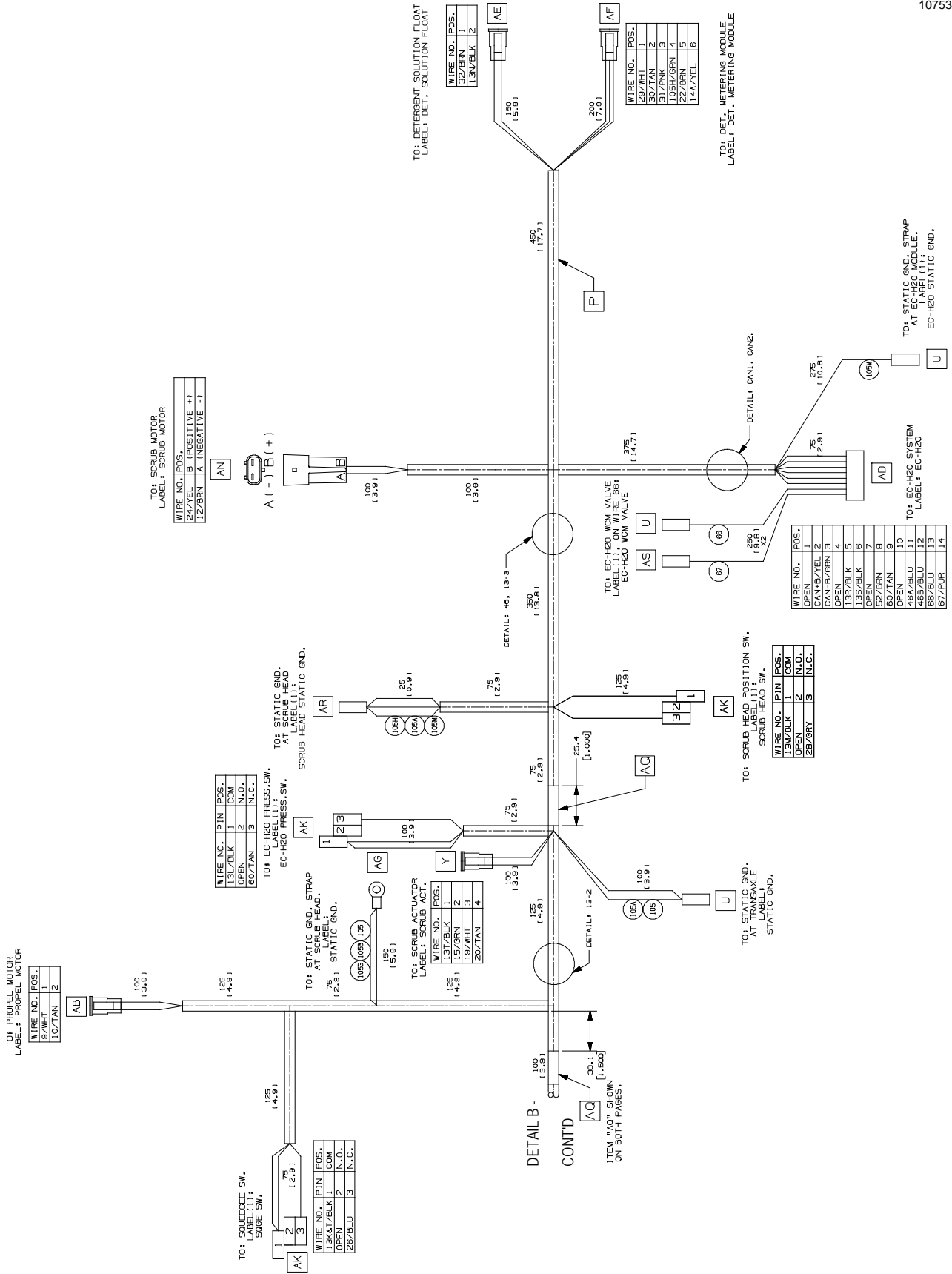






ELECTRICAL HARNESS, MAIN PROPEL T300 (S/N 30066322 - ) (PAGE 3 OF 3)

1075323\_02



**ELECTRICAL HARNESS, MAIN PROPEL T300 (S/N 30066322 - )**

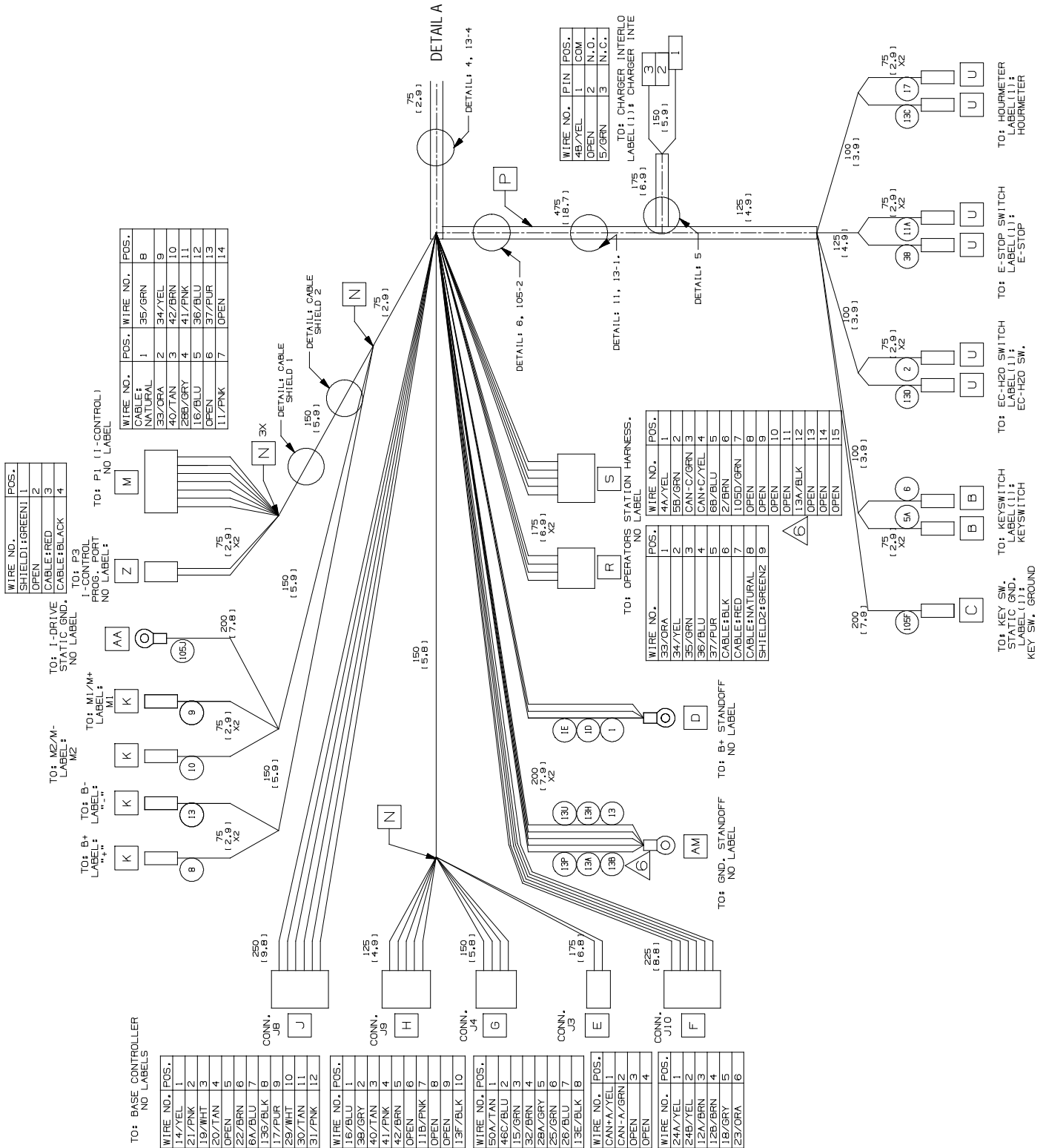
	<b>Part No.</b>	<b>Serial Number</b>	<b>Description</b>	<b>Qty.</b>
▽	1075323	(30066322- 40000000 )	Harness, Main, Ele [Vw, Premium, Propel]	1
▲	222290	(30000000- 40000000 )	Diode, Ele, Plug	3

▽ ASSEMBLY

▲ INCLUDED IN ASSEMBLY

## ELECTRICAL HARNESS, MAIN PROPEL T300 (S/N 3000000 - 30066321) (PAGE 1 OF 3)

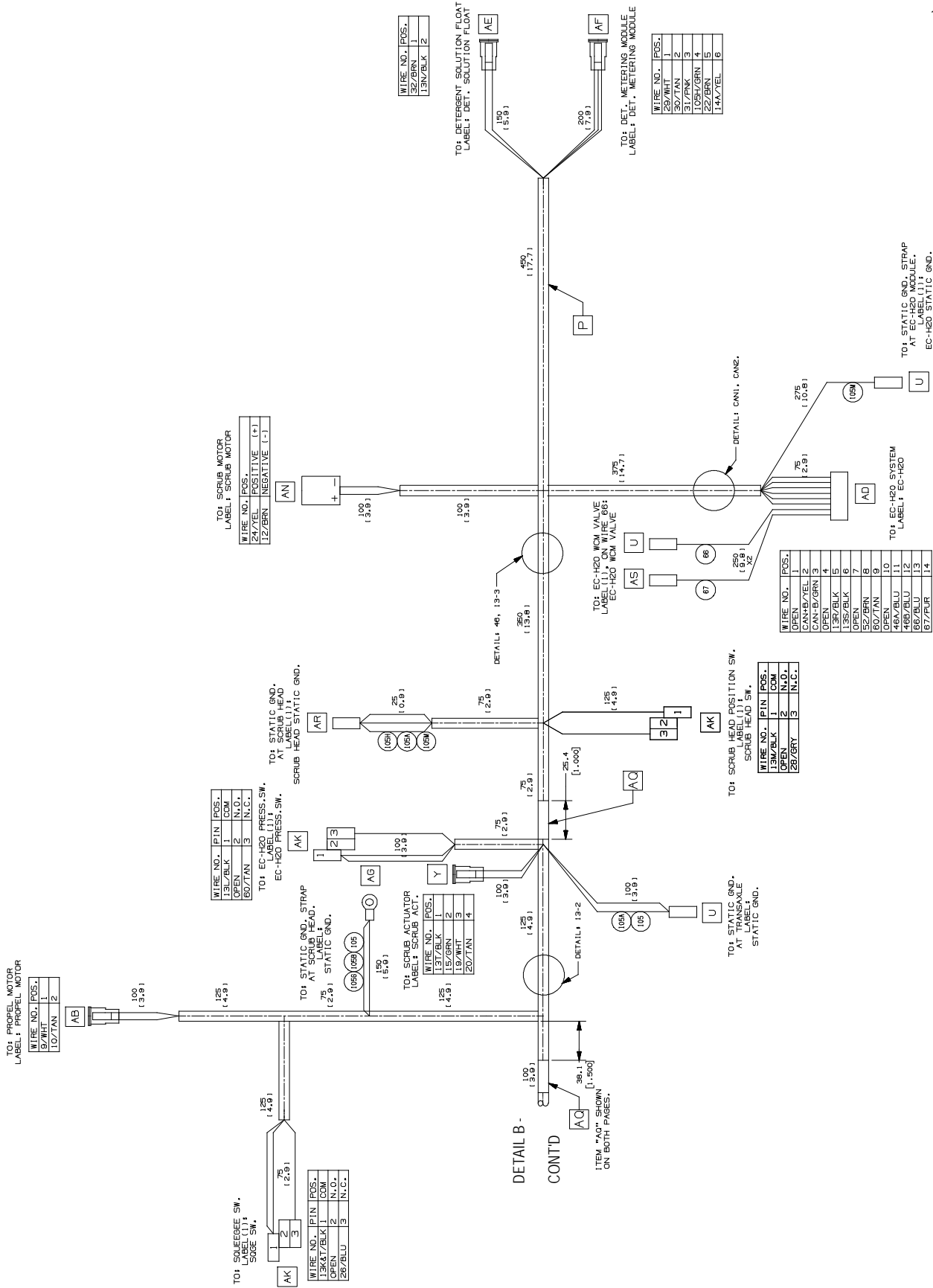
1073678





ELECTRICAL HARNESS, MAIN PROPEL T300 (S/N 3000000 - 30066321) (PAGE 3 OF 3)

1073678





**ELECTRICAL HARNESS, MAIN PROPEL T300 (S/N 30000000 - 30066321)**

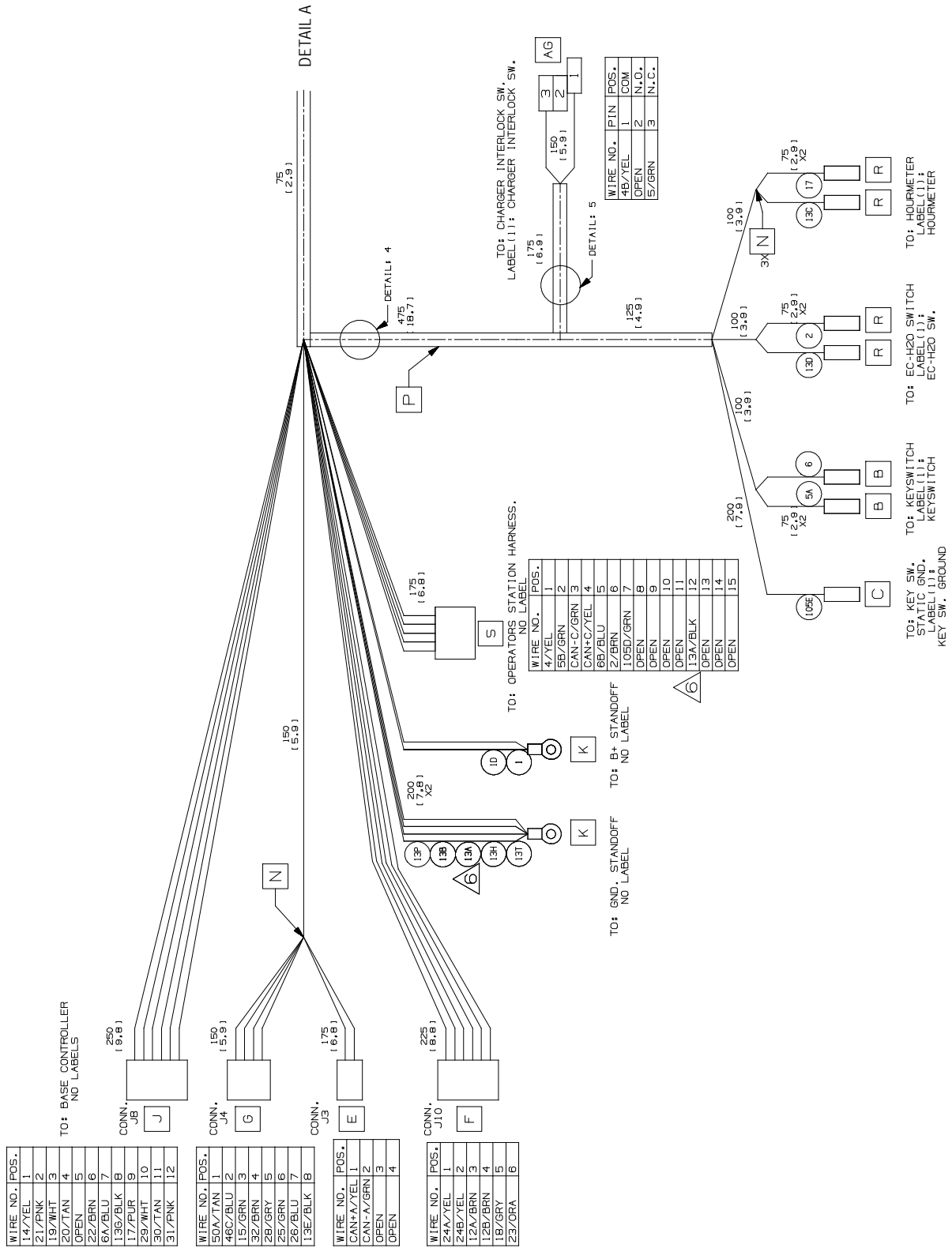
	<b>Part No.</b>	<b>Serial Number</b>	<b>Description</b>	<b>Qty.</b>
▽	1073678	(30000000-30066321 )	Harness, Main, Ele [Vw, Premium, Propel] (Replaced By 9015157)	1
▲	222290	(30000000-40000000 )	Diode, Ele, Plug	3

▽ ASSEMBLY

▲ INCLUDED IN ASSEMBLY

ELECTRICAL HARNESS, MAIN PUSH T300 (S/N 30066322 - ) (PAGE 1 OF 3)

1075324\_02







**ELECTRICAL HARNESS, MAIN PUSH T300 (S/N 30066322 - )**

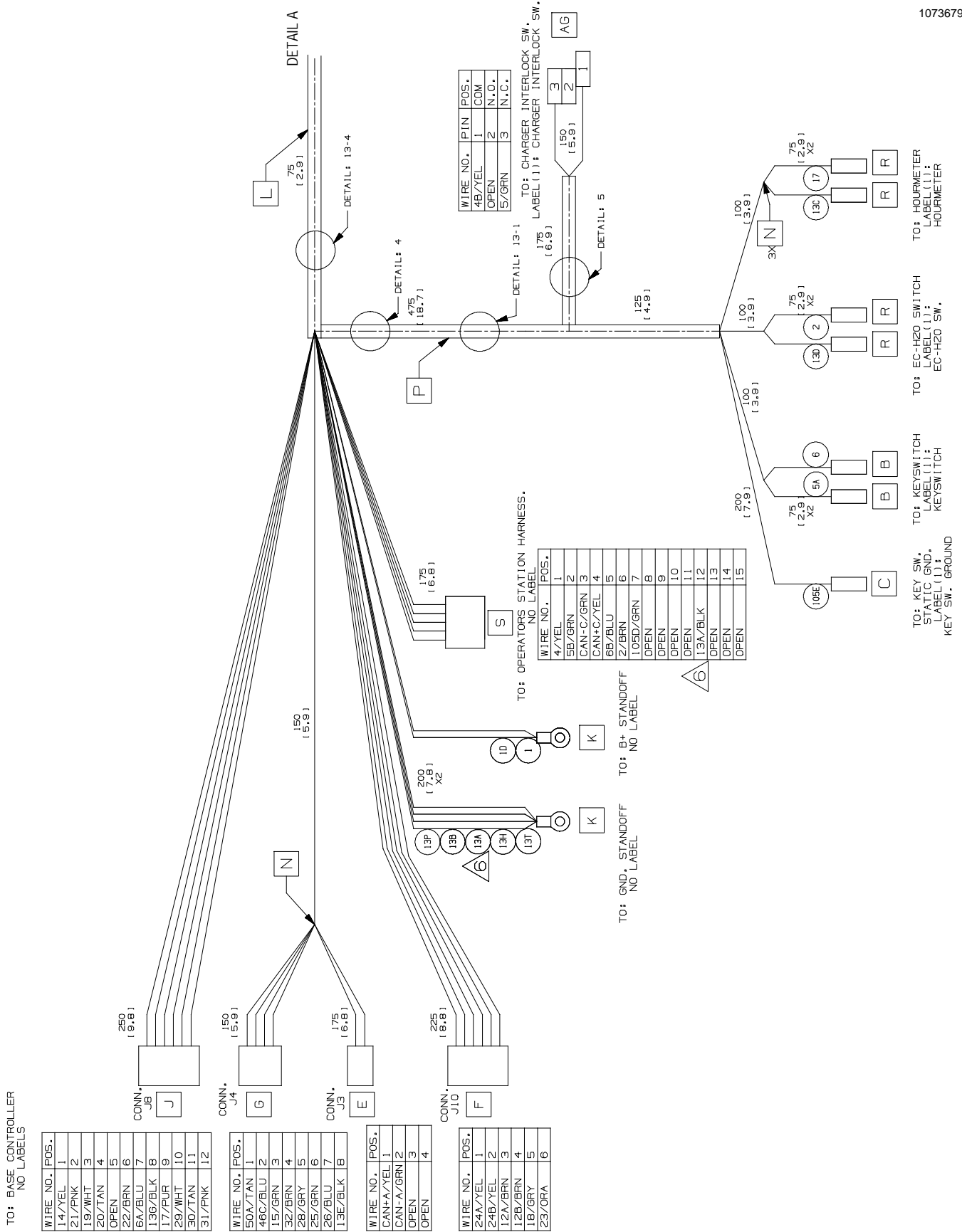
	<b>Part No.</b>	<b>Serial Number</b>	<b>Description</b>	<b>Qty.</b>
▽	1075324	(30066322-40000000 )	Harness, Main, Ele [Vw, Premium, Push]	1
▲	222290	(30000000-40000000 )	Diode, Ele, Plug	3

▽ ASSEMBLY

▲ INCLUDED IN ASSEMBLY

## ELECTRICAL HARNESS, MAIN PUSH T300 (S/N 3000000 - 3006321) (PAGE 1 OF 3)

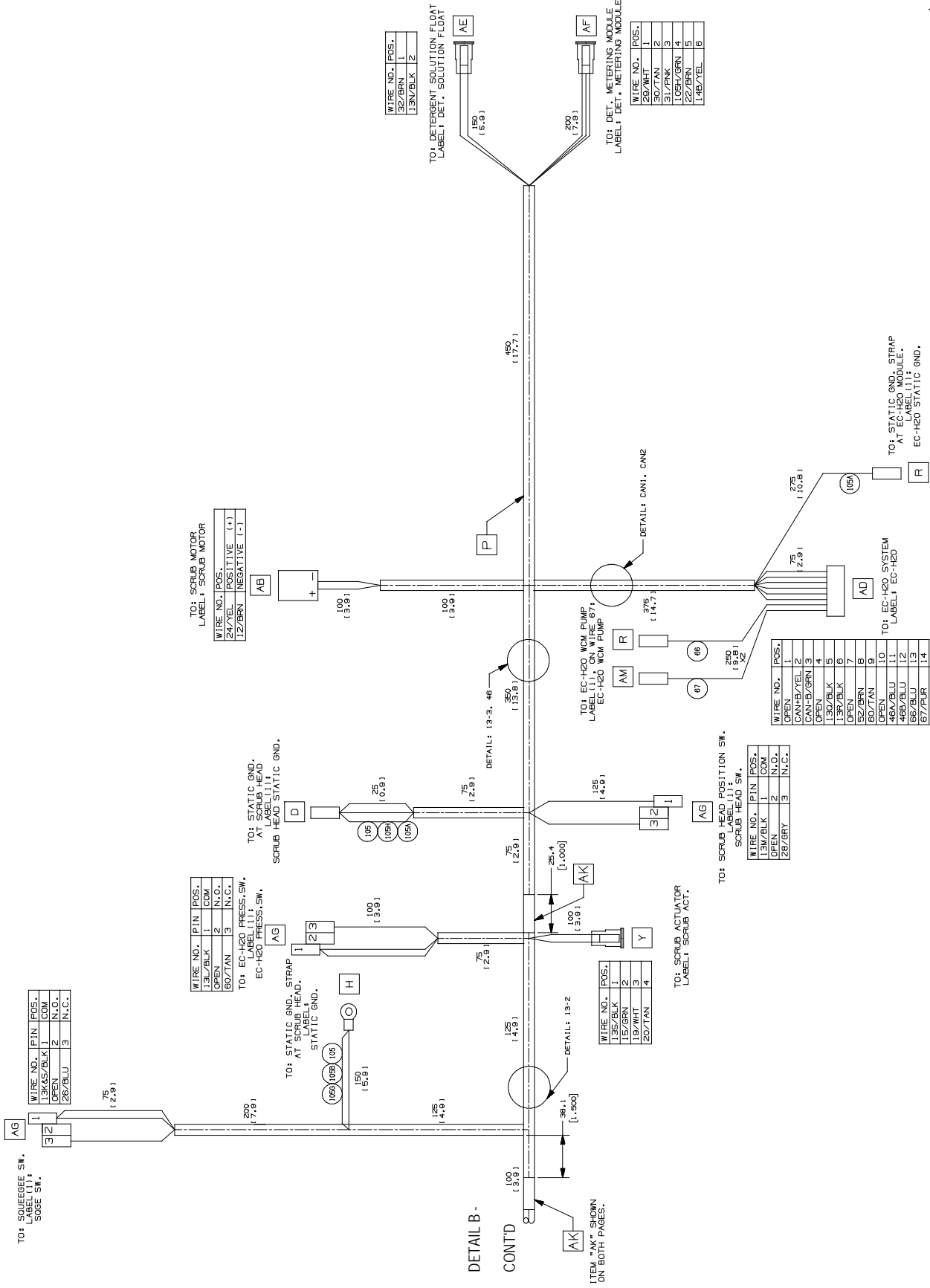
1073679





ELECTRICAL HARNESS, MAIN PUSH T300 (S/N 3000000 - 30066321) (PAGE 3 OF 3)

1073679





**ELECTRICAL HARNESS, MAIN PUSH T300 (S/N 30000000 - 30066321)**

	<b>Part No.</b>	<b>Serial Number</b>	<b>Description</b>	<b>Qty.</b>
▽	1073679	(30000000-30066321 )	Harness, Main, Ele [Vw, Premium, Push] (Replaced By 9015158)	1
▲	222290	(30000000-40000000 )	Diode, Ele, Plug	3

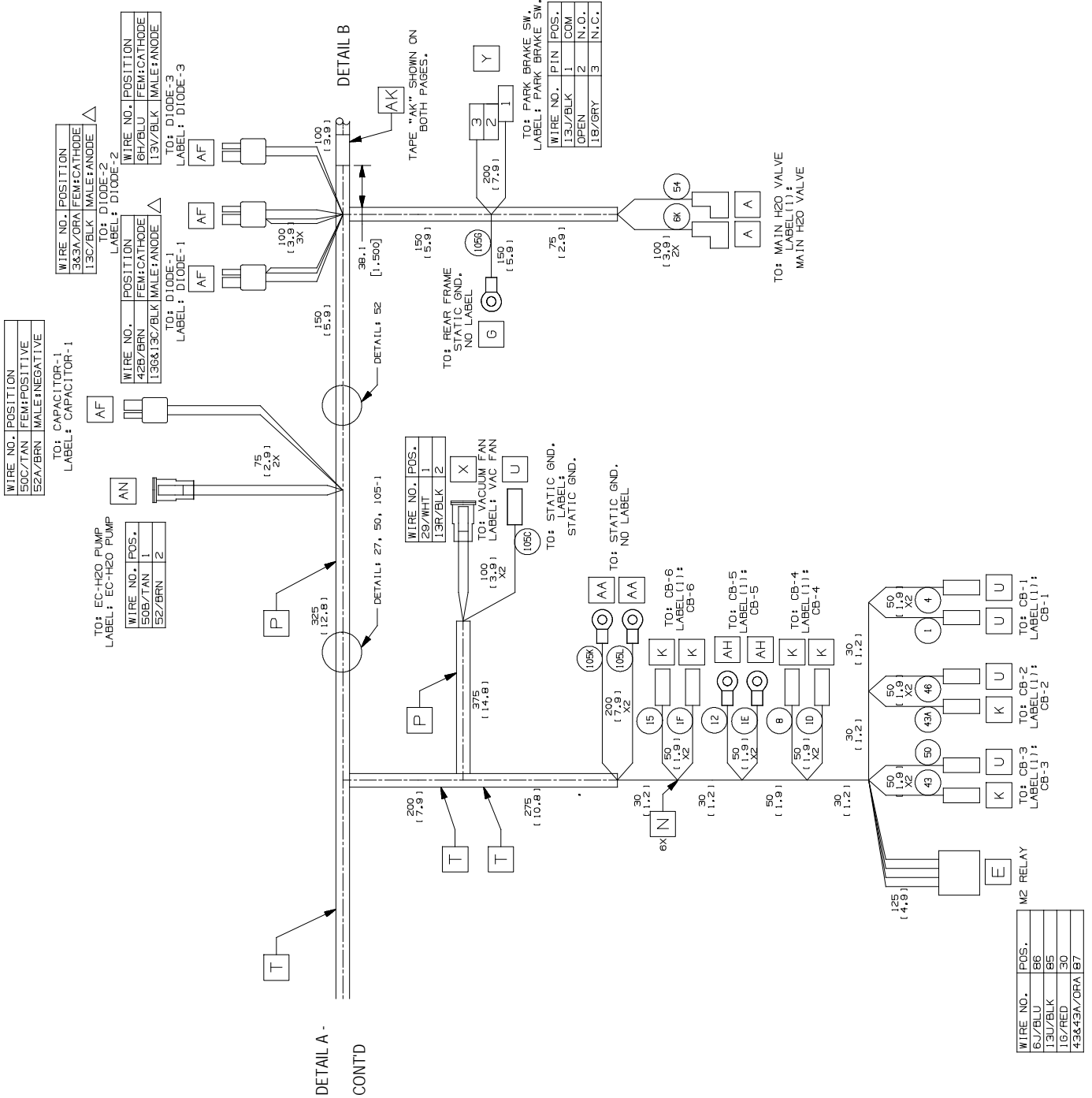
▽ ASSEMBLY

▲ INCLUDED IN ASSEMBLY



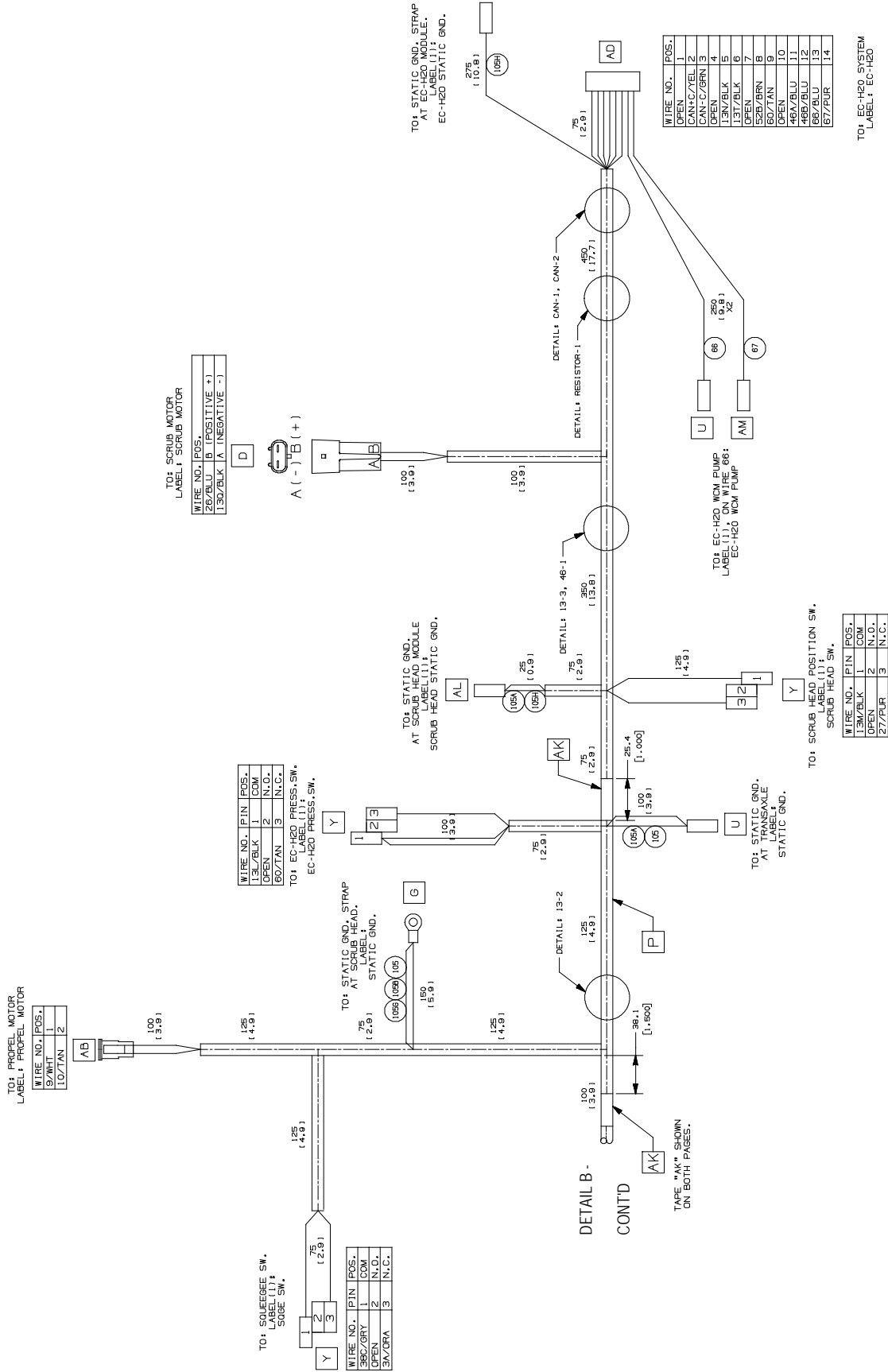
ELECTRICAL HARNESS, MAIN PROPEL T300e (S/N 30061052 - ) (PAGE 2 OF 3)

1075321\_02



ELECTRICAL HARNESS, MAIN PROPEL T300e (S/N 30061052 - ) (PAGE 3 OF 3)

1075321\_02



**ELECTRICAL HARNESS, MAIN PROPEL T300e (S/N 30061052 - )**

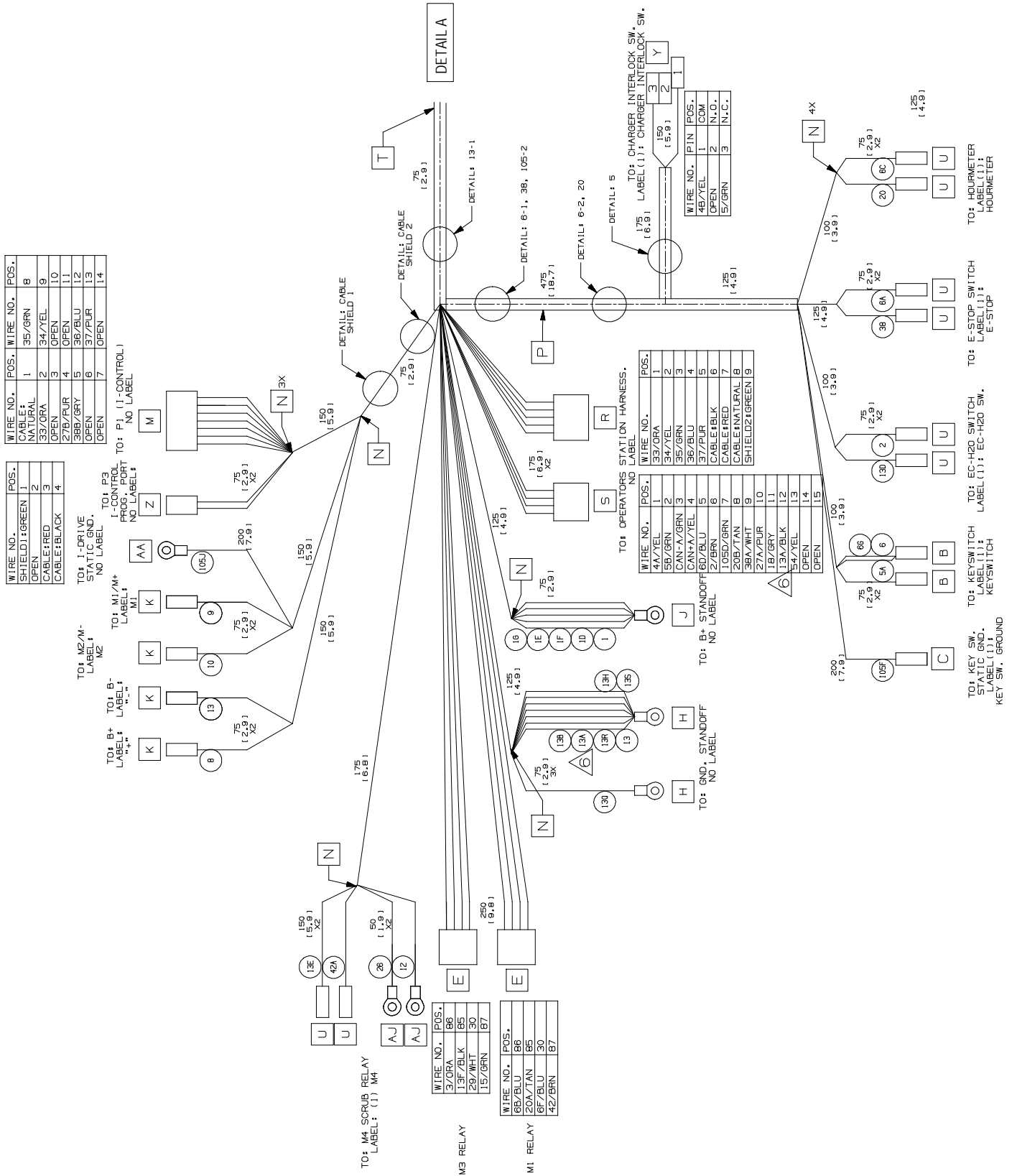
	<b>Part No.</b>	<b>Serial Number</b>	<b>Description</b>	<b>Qty.</b>
▽	1075321	(30061052-40000000 )	Harness, Main, Ele [Vw, Base, Propel]	1
▲	222290	(30000000-40000000 )	Diode, Ele, Plug	3

▽ ASSEMBLY

▲ INCLUDED IN ASSEMBLY

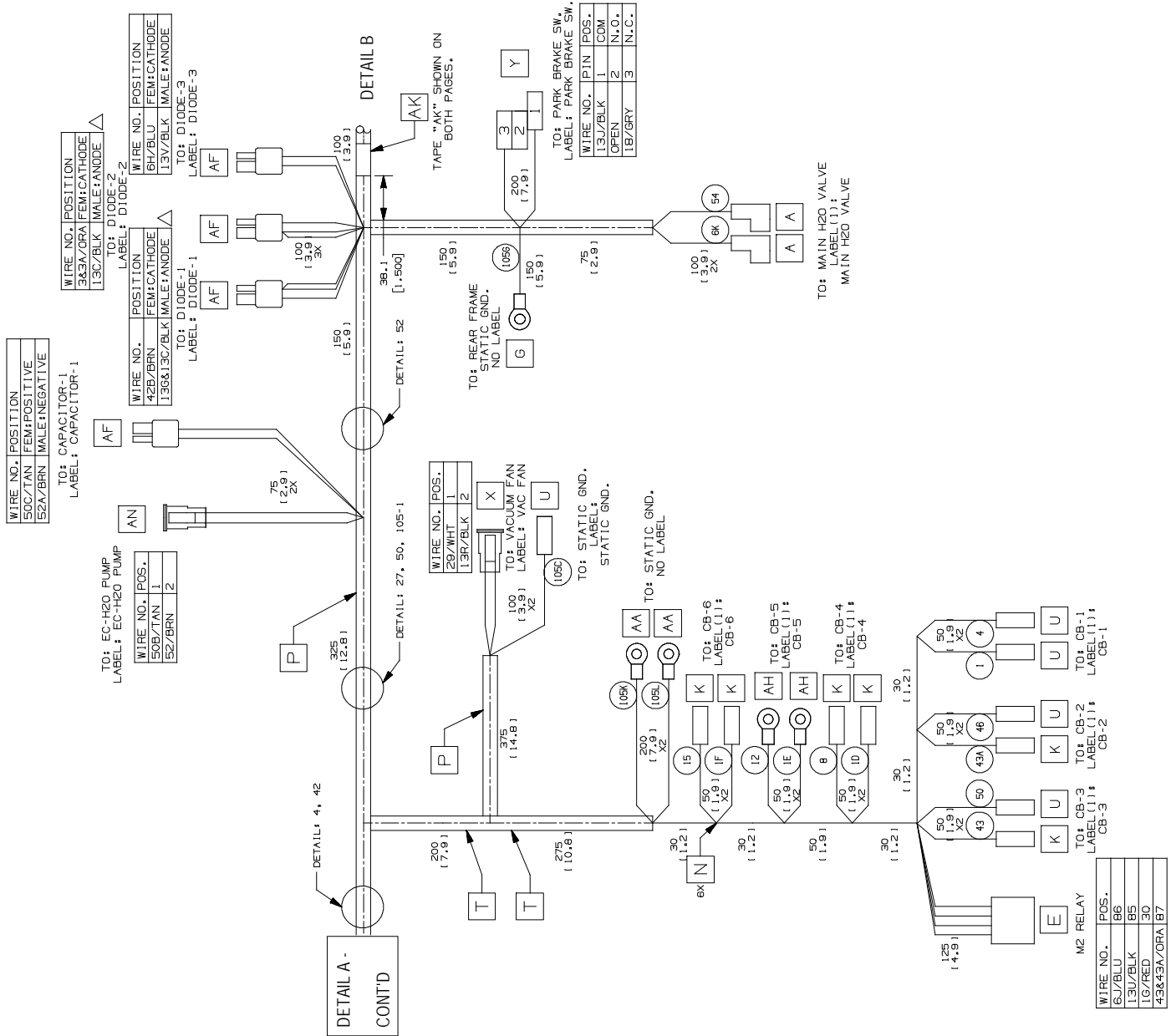
ELECTRICAL HARNESS, MAIN PROPEL T300e (S/N 3000000 - 30061051) (PAGE 1 OF 3)

1073676



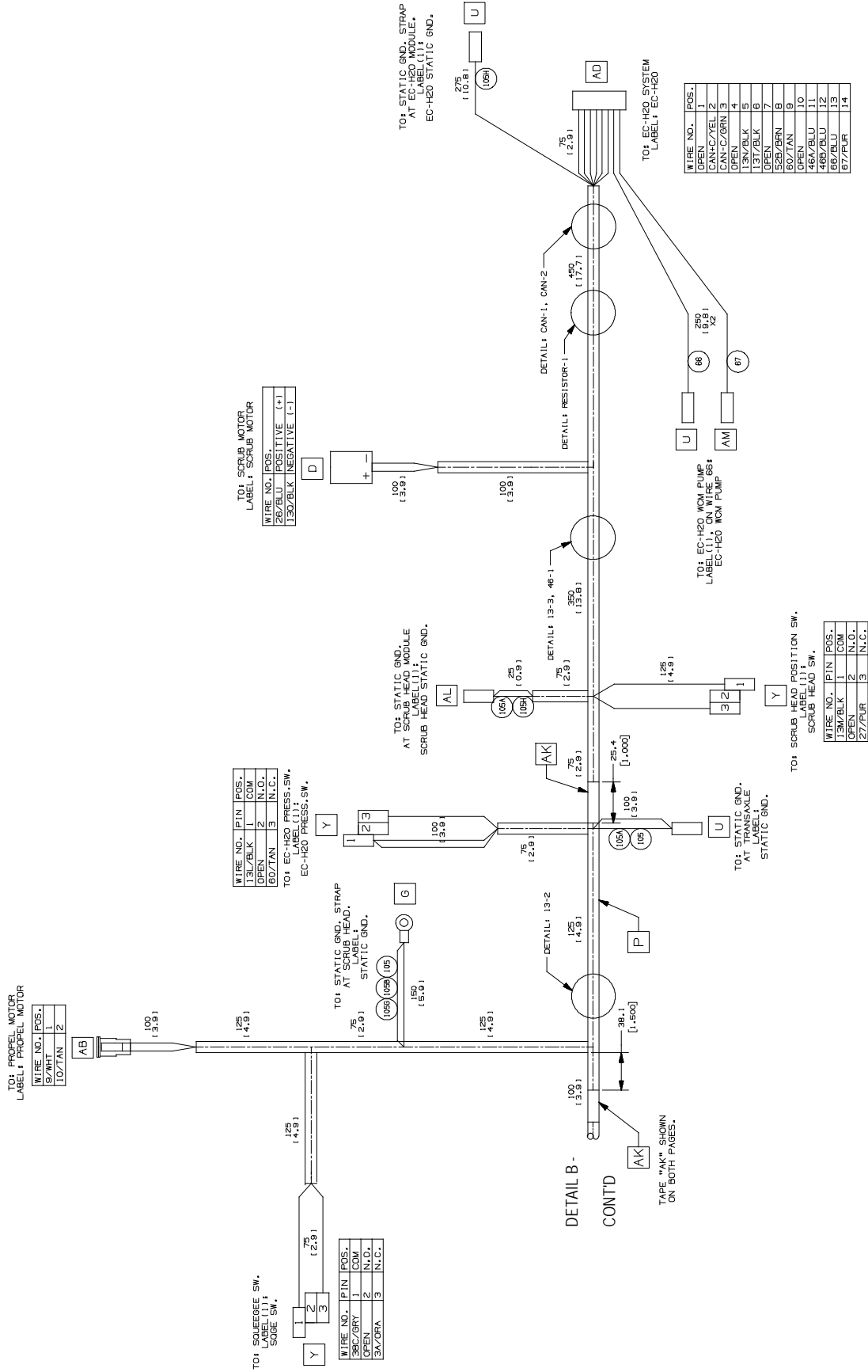
ELECTRICAL HARNESS, MAIN PROPEL T300e (S/N 3000000 - 30061051) (PAGE 2 OF 3)

1073676



## ELECTRICAL HARNESS, MAIN PROPEL T300e (S/N 3000000 - 30061051) (PAGE 3 OF 3)

1073676





**ELECTRICAL HARNESS, MAIN PROPEL T300e (S/N 30000000 - 30061051)**

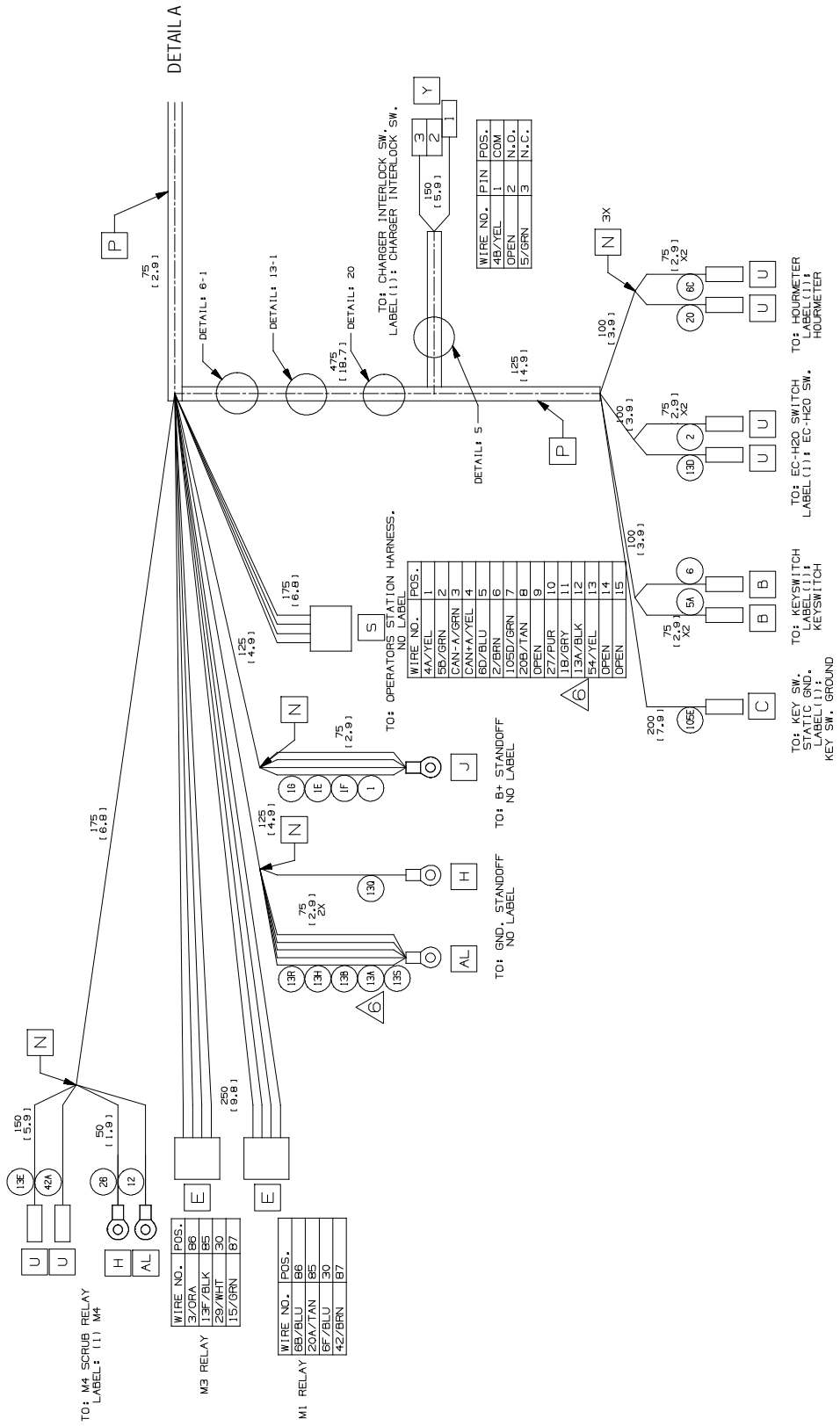
	<b>Part No.</b>	<b>Serial Number</b>	<b>Description</b>	<b>Qty.</b>
▽	1073676	(30000000-30061051 )	Harness, Main, Ele [Vw, Base, Propel] (Replaced By 9015155)	1
▲	222290	(30000000-40000000 )	Diode, Ele, Plug	3

▽ ASSEMBLY

▲ INCLUDED IN ASSEMBLY

ELECTRICAL HARNESS, MAIN PUSH T300e (S/N 30061119 - ) (PAGE 1 OF 3)

1075322\_02







**ELECTRICAL HARNESS, MAIN PUSH T300e (S/N 30061119 - )**

	<b>Part No.</b>	<b>Serial Number</b>	<b>Description</b>	<b>Qty.</b>
▽	1075322	(30061119- 40000000 )	Harness, Main, Ele [Vw, Base, Push]	1
▲	222290	(30000000- 40000000 )	Diode, Ele, Plug	3

▽ ASSEMBLY

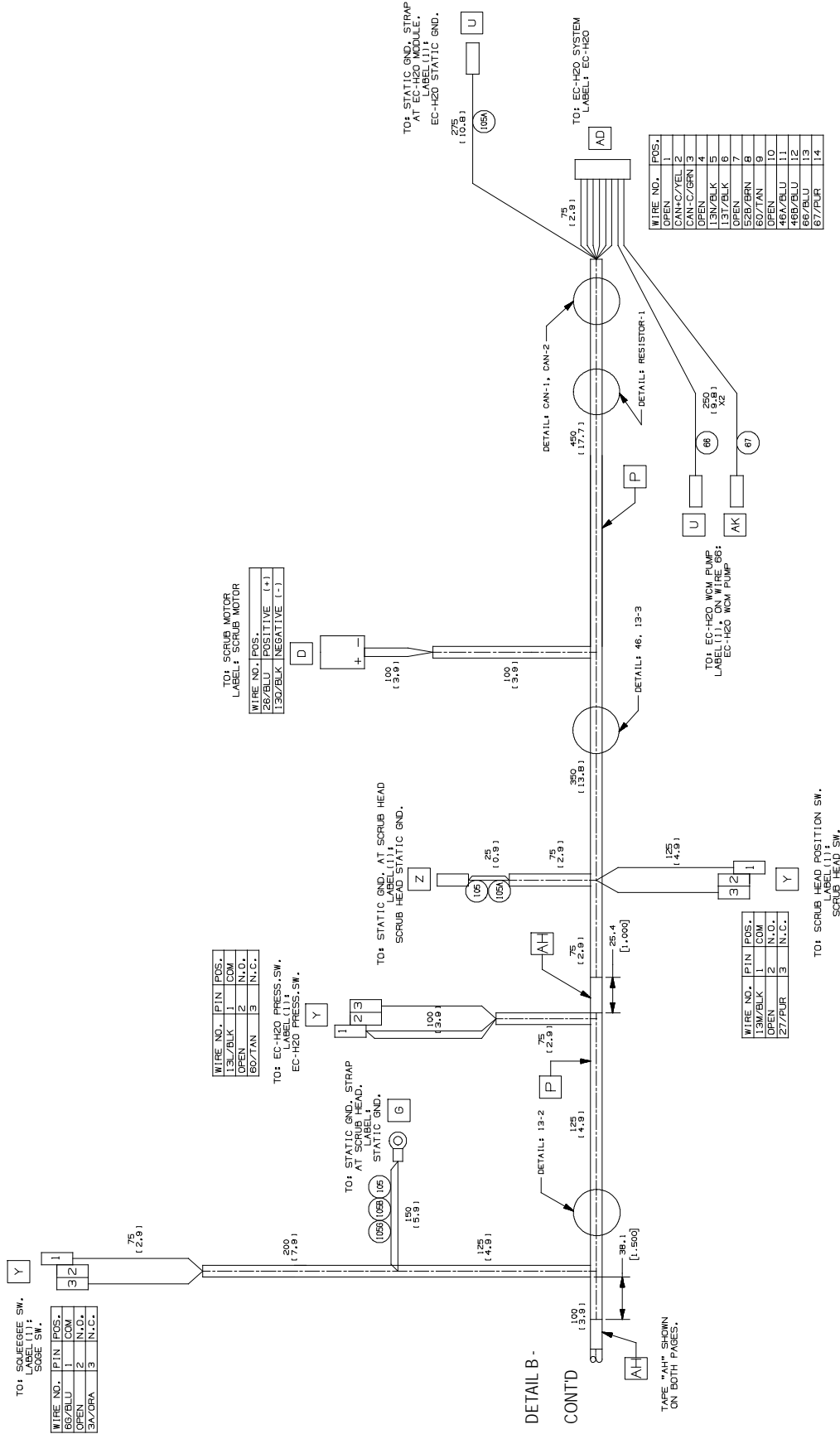
▲ INCLUDED IN ASSEMBLY





ELECTRICAL HARNESS, MAIN PUSH T300e (S/N 3000000 - 30061118) (PAGE 3 OF 3)

1073677





**ELECTRICAL HARNESS, MAIN PUSH T300e (S/N 30000000 - 30061118)**

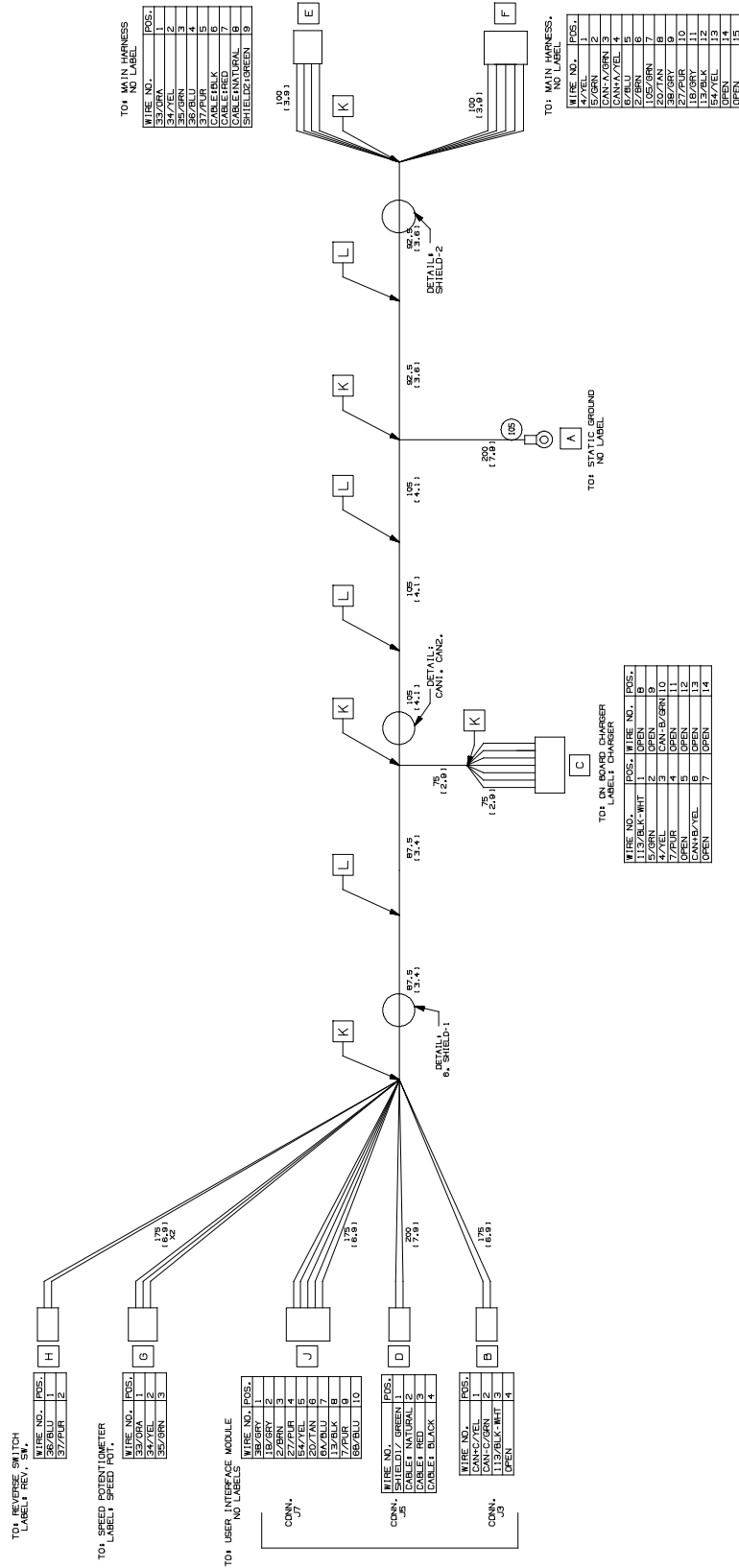
	<b>Part No.</b>	<b>Serial Number</b>	<b>Description</b>	<b>Qty.</b>
▽	1073677	(30000000-30061118 )	Harness, Main, Ele [Vw, Base, Push] (Replaced By 9015156)	1
▲	222290	(30000000-40000000 )	Diode, Ele, Plug	3

▽ ASSEMBLY

▲ INCLUDED IN ASSEMBLY

ELECTRICAL HARNESS, OPTIONS PROPEL

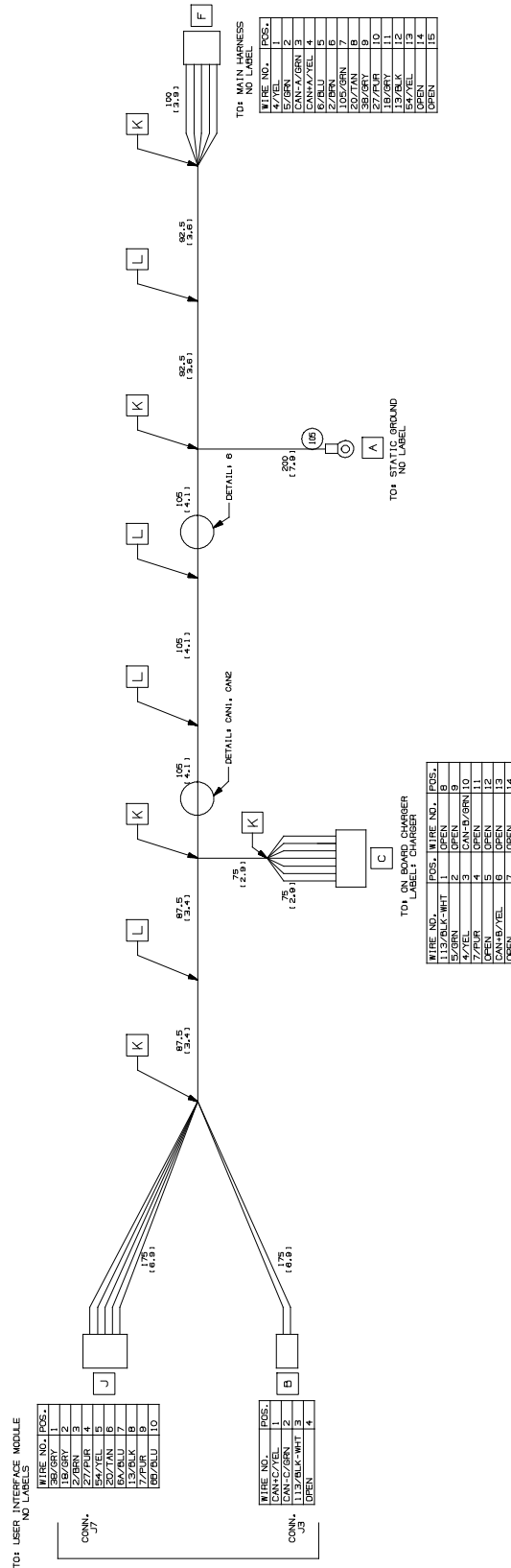
1073592



Part No.	Serial Number	Description	Qty.
1073592	(3000000- 4000000 )	Harness, Ele [Vw, Op.Sta, Propel ]	1

ELECTRICAL HARNESS, OPTIONS PUSH

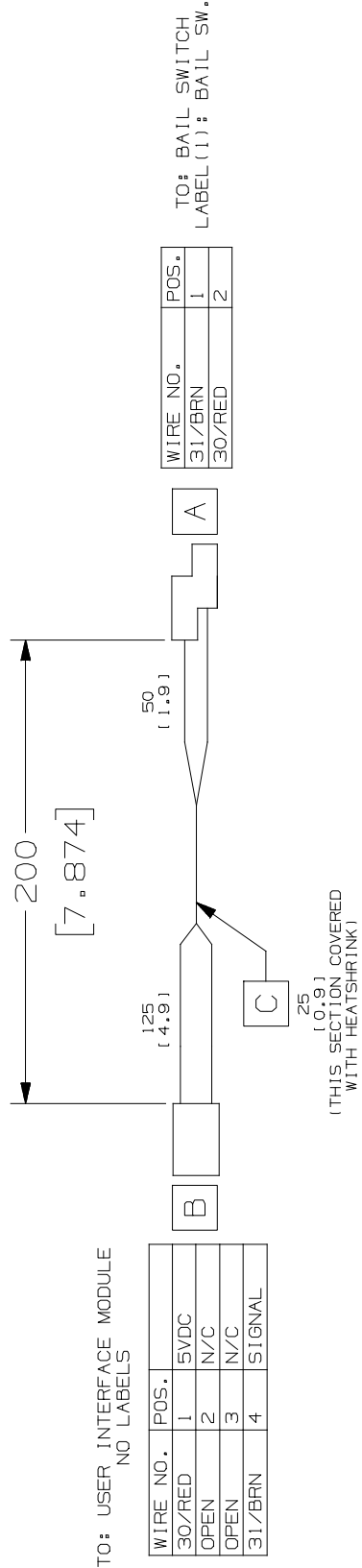
1073593



Part No.	Serial Number	Description	Qty.
1073593	(3000000-4000000 )	Harness, Ele [Vw, Op.Stat, Push]	1

ELECTRICAL HARNESS, BAIL SWITCH

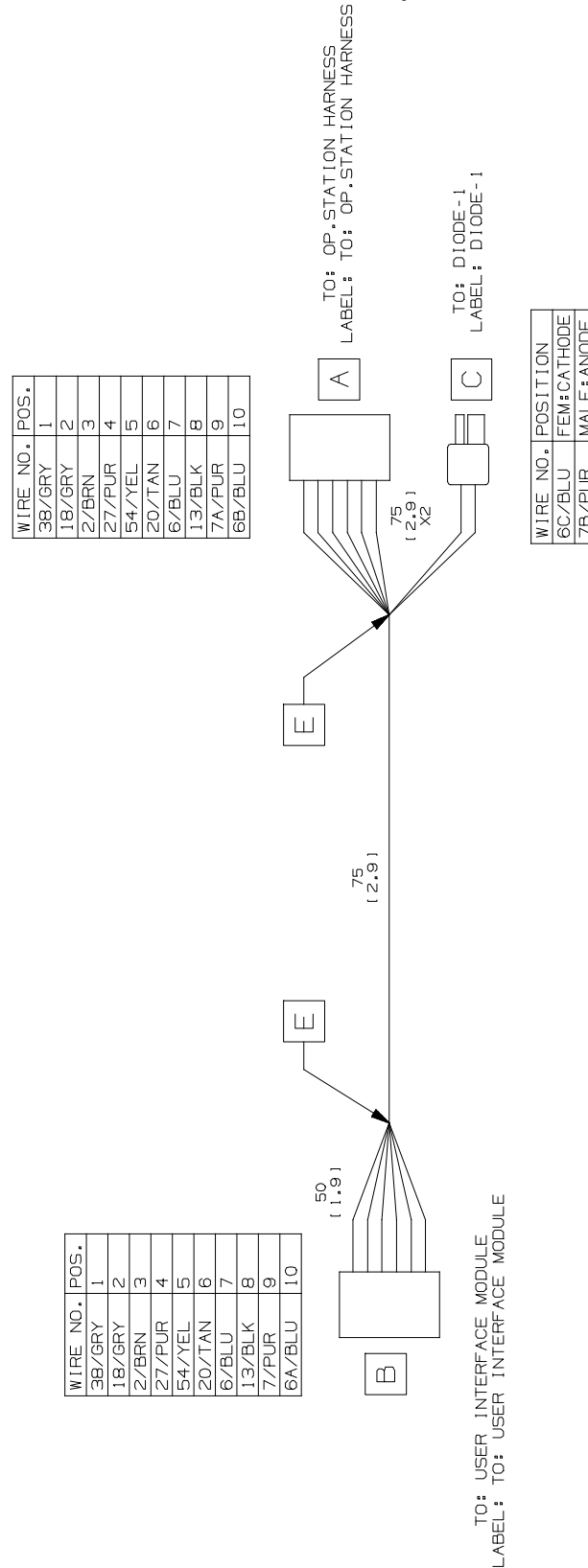
1072524



Part No.	Serial Number	Description	Qty.
1072524	(30000000- 40000000 )	Harness, Ele [Bail Switch]	1

ELECTRICAL HARNESS, ADAPTER (TELEMETRY MODELS)

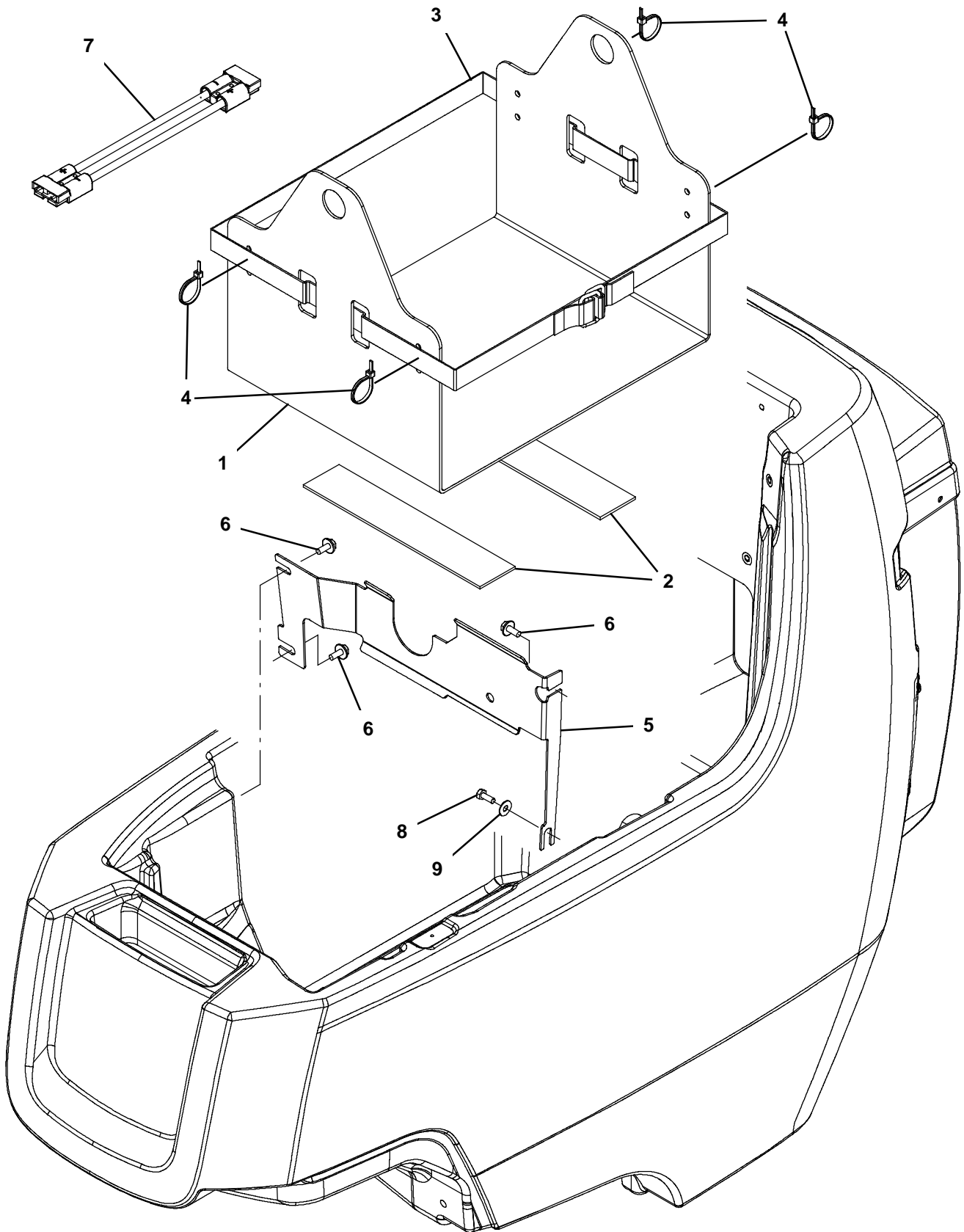
1075195



Part No.	Serial Number	Description	Qty.
1075195	(30000000- 40000000 )	Harness, Ele, Adaptor [T300, Amii]	1
222290	(30000000- 40000000 )	Diode, Ele, Plug	1

BATTERY LIFT OUT BOX KIT

355306



**BATTERY LIFT OUT BOX KIT**

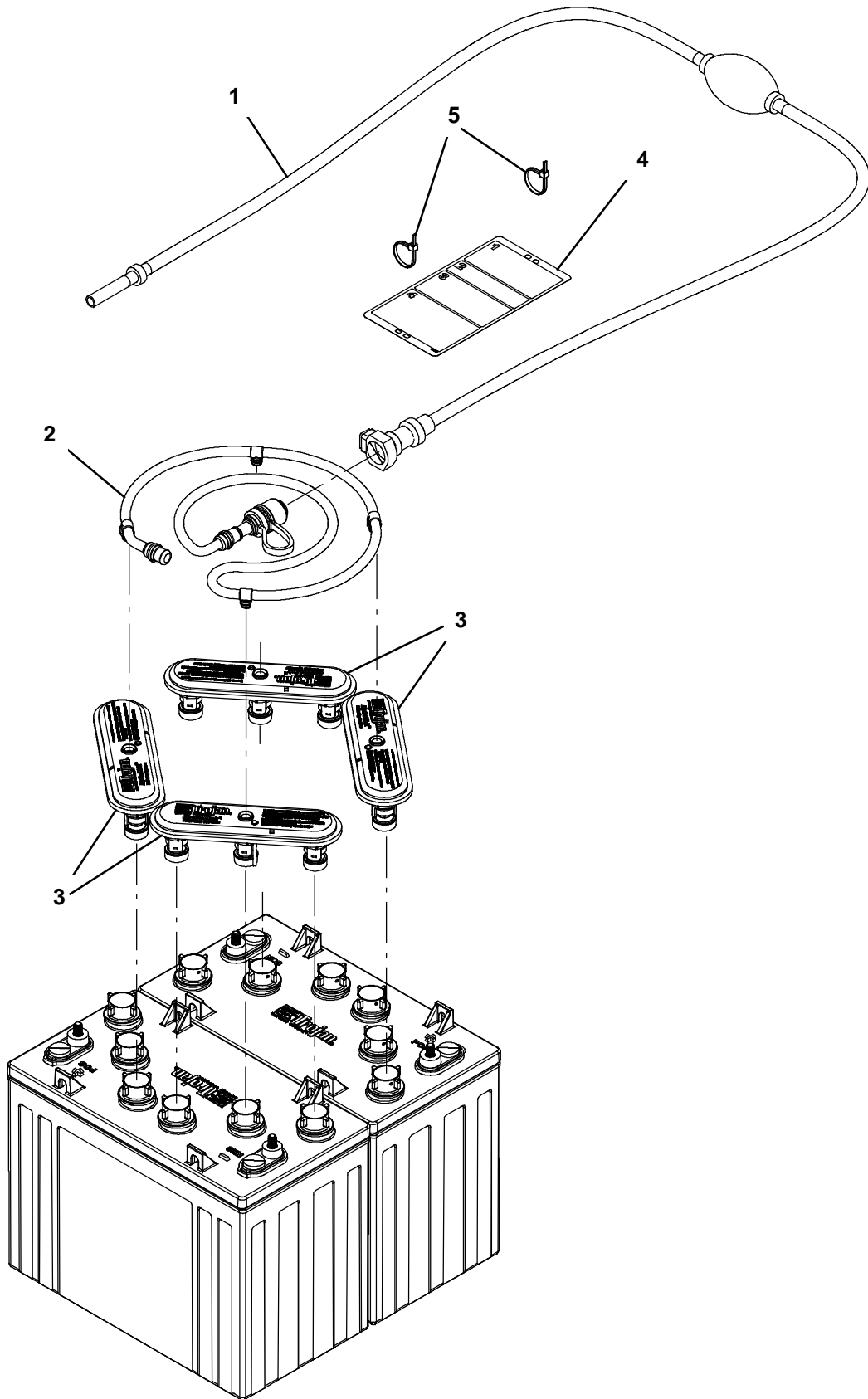
Ref.	Part No.	Serial Number	Description	Qty.
▽	9014173	(30000000- 40000000 )	Box Kit, Lift, Batt, Am [T300/E/Ss300] (Additional Battery Cable Kit May Also Be Required)	1
▲	1 1207816	(30000000- 40000000 )	Box, Battery [Lift- Out]	1
▲	2 1212689	(30000000- 40000000 )	Pad, Box, Battery	2
▲	3 1208697	(30000000- 40000000 )	Strap, Pyp, Buckle, Friction	1
▲	4 130773	(30000000- 40000000 )	Tie, Cable, Nyl, 11.0l, .14w, 3.0 Max. D	4
▲	5 1214509	(30000000- 40000000 )	Bracket, Deflector, Battery	1
▲	6 1034731	(30000000- 40000000 )	Screw, Hex, M6 X 1.00 X 16, Sems, Ss	3
▲	7 1074798	(30000000- 40000000 )	Cable, Adaptor, Batt [Sb120- Sb50, Red] (Off- Board Charger Models Only)	1
▲	8 11329	(30000000- 40000000 )	Screw, Hex, M6 X 1.00 X 16, NI, Ss	1
▲	9 01684	(30000000- 40000000 )	Washer, Flat, 0.27b 0.69d .05, Ss	1

▽ ASSEMBLY

▲ INCLUDED IN ASSEMBLY

HYDROLINK® BATTERY WATERING SYSTEM KIT

355316





**HYDROLINK® BATTERY WATERING SYSTEM KIT**

Ref.	Part No.	Serial Number	Description	Qty.
▽	9010300	(30000000- 40000000 )	Battery Fill Kit, 24v, Ci [Hydrolink] (For Use Only With 155AH Trojan Batteries)	1
▲	1 1058939	(30000000- 40000000 )	Pump Kit, Fill, Battery	1
▲	2 1070394	(30000000- 40000000 )	Tube, Water, Battery, 24vdc [Trojan]	1
▲	3 1204142	(30000000- 40000000 )	Cap, Fill, Battery [Trojan]	4
▲	4 1071084	(30000000- 40000000 )	Label, Tag, Battery [Hydrolink Watering]	1
▲	5 130773	(30000000- 40000000 )	Tie, Cable, Nyl, 11.0l, .14w, 3.0 Max. D	2

▽ ASSEMBLY

▲ INCLUDED IN ASSEMBLY

HYDROLINK® IS A REGISTERED TRADEMARK OF TROJAN BATTERY COMPANY.

# OPTIONS

---

## DOCUMENTATION GROUP

Ref.	Part No.	Serial Number	Description	Qty.
	9014518	(30000000- 40000000 )	Manual, Oprtr [T300/T300e, En]	1
	9014519	(30000000- 40000000 )	Manual, Oprtr [T300/T300e, Cn] (China)	1
	9014520	(30000000- 40000000 )	Manual, Oprtr [T300/T300e, Kr] (Korea)	1
	9014521	(30000000- 40000000 )	Manual, Oprtr [T300/T300e, Jp] (Japan)	1
	9014522	(30000000- 40000000 )	Instr, Wall Chart [T300/T300e]	1
	9014510	(30000000- 40000000 )	Manual, Service [T300/T300e, En]	1



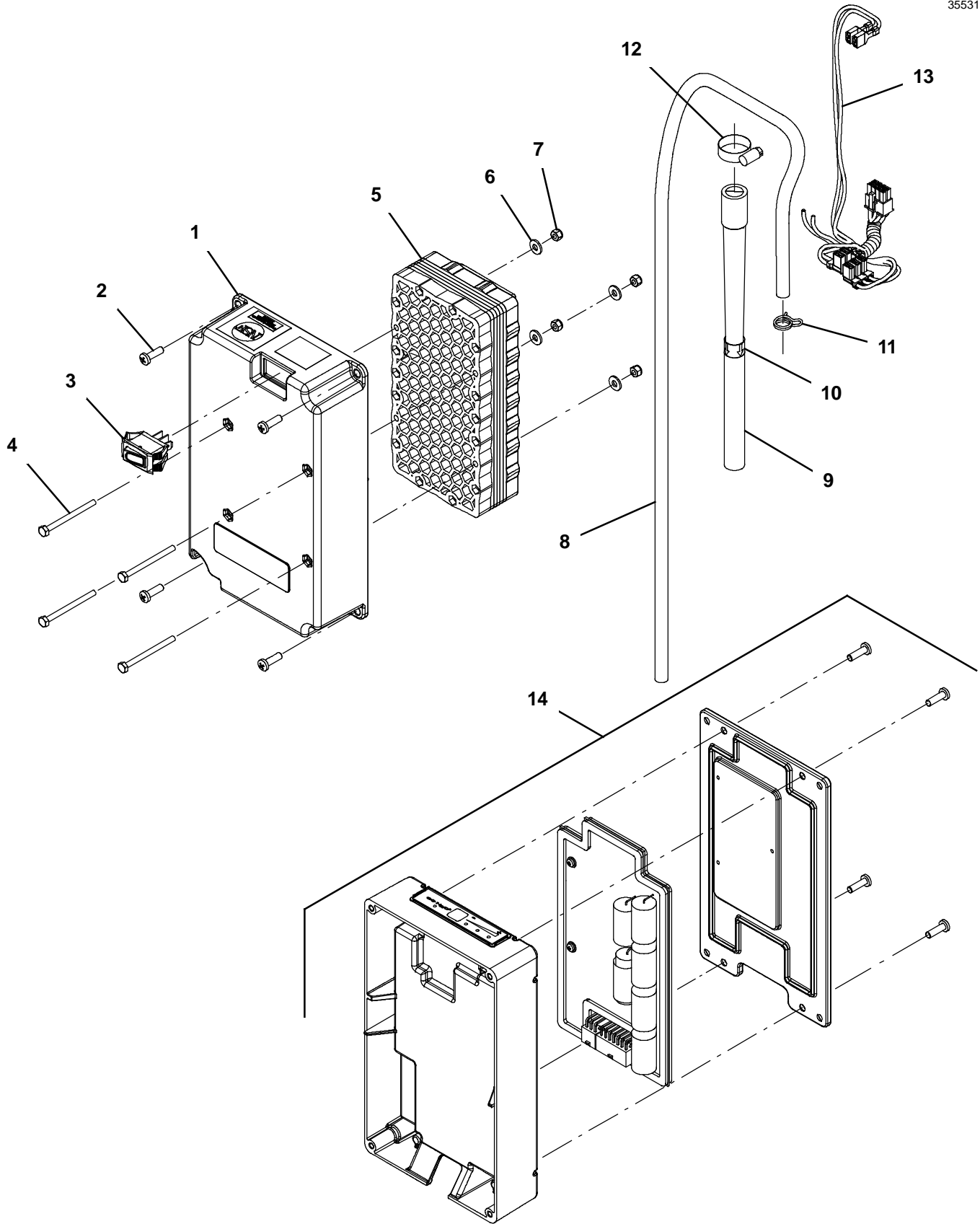
To view, print, order, download the latest Parts manual, other language Operator manuals, and Use and Care Guides (wall charts), visit:

[www.tennantco.com/manual](http://www.tennantco.com/manual)



ec- H2O NANOCLEAN MODULE BREAKDOWN

355317



## ec- H2O NANOCLEAN MODULE BREAKDOWN

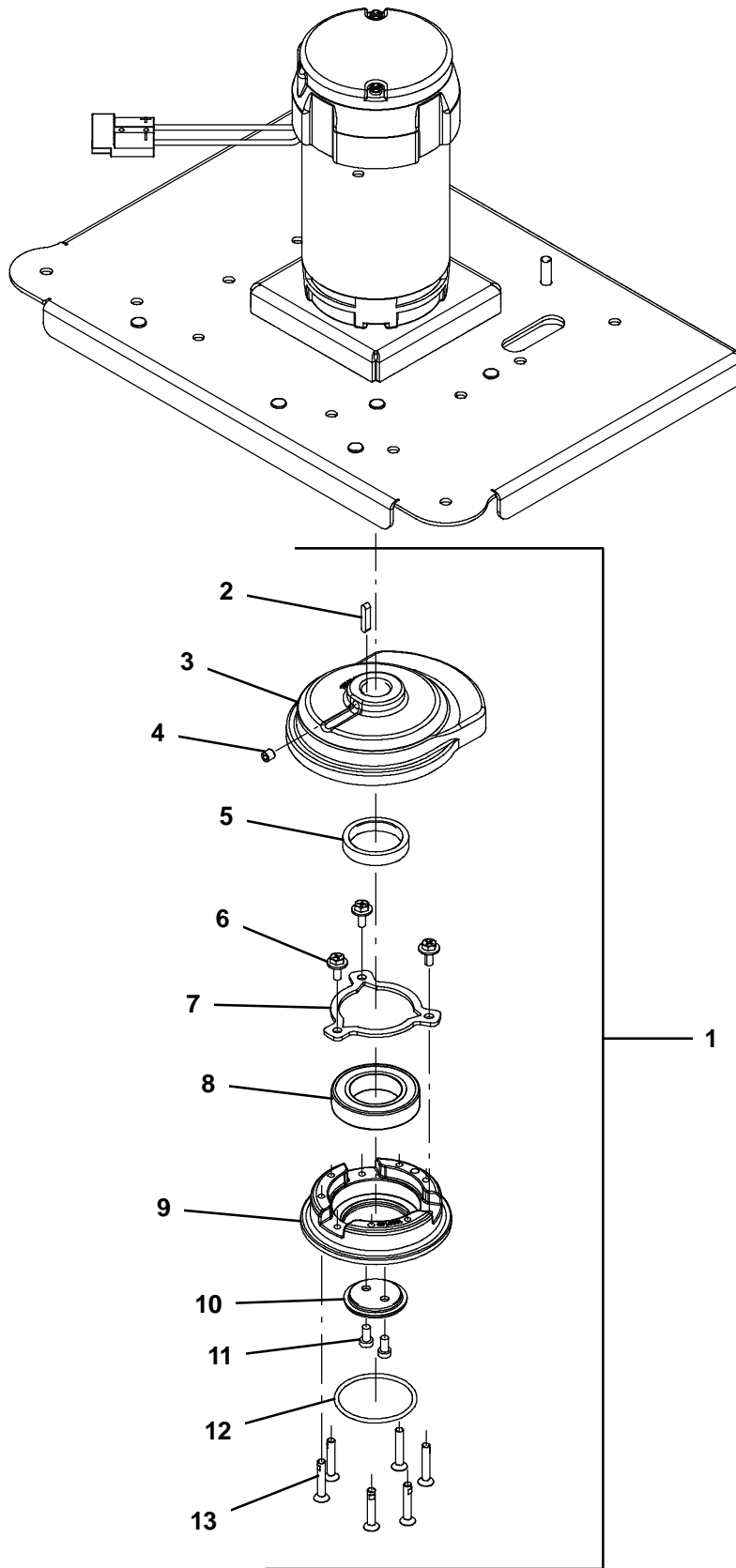
Ref.	Part No.	Serial Number	Description	Qty.
▽	9011810	(30000000- 40000000 )	Module Kit, Replmt [Ec- H2o, B 02] (Includes ec- H2O NanoClean Cartridge)	1
▲▽	9014126	(30000000- 40000000 )	Ec- H2o Nc Kit [Module B, Plumbing]	1
▲▲	1 1208823	(30000000- 40000000 )	Housing, Module, Upper, Ec- H2o	1
▲▲	2 1015506	(30000000- 40000000 )	Screw, Pan, Phl, M5 X 16, Tcut [Plastic]	4
▲▲	3 1044393	(30000000- 40000000 )	Switch, Rocker, Spst, Mom	1
▲▲	4 32509	(30000000- 40000000 )	Screw, Hex, M4 X 0.70 X 50, Ss	4
▲▲	5 1208164	(30000000- 40000000 )	Electrode, 5 Plate, High Flow	1
▲▲	6 41579	(30000000- 40000000 )	Washer, Flat, 08, Ss	4
▲▲	7 33932	(30000000- 40000000 )	Nut, Hex, Lock, M4 X 0.70, NI, Ss	4
▲▲	8 1006415	(30000000- 40000000 )	Hose, Afmkt, Pvc, Clr, 0.25id, 03ft	1
▲▲	9 1208526	(30000000- 40000000 )	Hose, Molded, Bm08/Bm06	1
▲▲	10 1049637	(30000000- 40000000 )	Label, Direction [Ec- H2o]	1
▲▲	11 613735	(30000000- 40000000 )	Clamp, Hose, Wir, .40 - .42, Yel	1
▲▲	12 54333	(30000000- 40000000 )	Clamp, Hose, Wormdrive, 0.31- 0.88d, .31w	1
▲▲	13 1073286	(30000000- 40000000 )	Harness, Ele, Module B2 [Ec- H2o]	1
▲	14 9014127	(30000000- 40000000 )	Controller Kit, Replmt [Ec- H2o Nc] (Includes ec- H2O NanoClean Cartridge)	1

▽ ASSEMBLY

▲ INCLUDED IN ASSEMBLY

ORBITAL HEAD ECCENTRIC DRIVE BREAKDOWN

355337



## ORBITAL HEAD ECCENTRIC DRIVE BREAKDOWN

Ref.	Part No.	Serial Number	Description	Qty.
▽	1	9014175	(30000000- 40000000 ) Kit, Eccentric Assy, [T300]	1
▲	2	1014328	(30000000- 40000000 ) Key, Sq, 05mm X 05mm, 25mm	1
▲	3	N/A	(30000000- 40000000 ) Balance, Eccentric, Step [Machined]	1
▲	4	N/A	(30000000- 40000000 ) Screw, Set, M8 X 1.25 X 8, SS	1
▲	5	N/A	(30000000- 40000000 ) Spacer, Eccentric	1
▲	6	N/A	(30000000- 40000000 ) Screw, Hex, M6 X 1.00 X 16, Sems	3
▲	7	N/A	(30000000- 40000000 ) Plate, Retainer, Brg, Outer	1
▲	8	1206608	(30000000- 40000000 ) Bearing, Ball, 1.58b 2.68d 0.59w [2seal]	1
▲	9	N/A	(30000000- 40000000 ) Housing, Bearing, Outer [Machined]	1
▲	10	N/A	(30000000- 40000000 ) Retainer, Bearing, Inner [Qpq]	1
▲	11	N/A	(30000000- 40000000 ) Screw, Soc, M6 X 1.00 X 12, 8.8, Low	2
▲	12	1208266	(30000000- 40000000 ) O- Ring, 57.15 X 3.18, Nbr	1
▲	13	1212710	(30000000- 40000000 ) Screw, Flt, Soc, M6 X 1.00 X 35, 10.9,NI	6

▽ ASSEMBLY

▲ INCLUDED IN ASSEMBLY