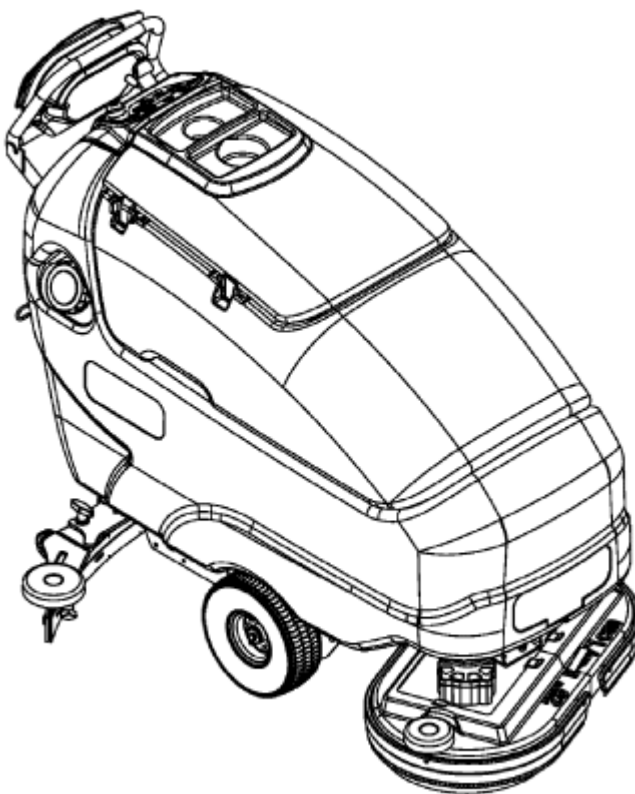


# SC 800

---

Model:  
SC800 71  
SC800 71C  
SC800 86



Part List English

08-01-2014

# Table of Contents

SC 800

<b>Chassis System (Disk)</b>	<b>3</b>
<b>Chassis System (Cylindrical)</b>	<b>6</b>
<b>Control System</b>	<b>9</b>
<b>Decal System</b>	<b>11</b>
<b>Electrical System</b>	<b>13</b>
<b>Recovery System</b>	<b>16</b>
<b>Scrub System (Disk)</b>	<b>18</b>
<b>Scrub System (Cylindrical)</b>	<b>21</b>
<b>Solution System</b>	<b>23</b>
<b>Squeegee Assembly</b>	<b>25</b>
<b>Scqueegee System</b>	<b>27</b>
<b>Ladder Diagram</b>	<b>29</b>
<b>Optional Kits and Accessories</b>	<b>31</b>
<b>Brush Selector Guide - Disk</b>	<b>33</b>
<b>Brush Selector Guide - Cylindrical</b>	<b>35</b>
<b>56112245 - Onboard Charger Kit-EU</b>	<b>37</b>
<b>Power cord bracket</b>	<b>39</b>
<b>56112140 - Wet Floor Sign Holder Kit</b>	<b>41</b>
<b>56112221 - Parking Brake Kit</b>	<b>43</b>
<b>56112265 - Kit, 26" Disc Deck 24V</b>	<b>45</b>
<b>56112266 - Kit, 28" Disc Deck 24V</b>	<b>47</b>
<b>56112267 - Kit, 28" Cylindrical Deck 24V</b>	<b>49</b>
<b>56112279 - Kit, 34" Disc Deck 24V</b>	<b>51</b>
<b>56112280 - Kit, 32" Cylindrical Deck 24V</b>	<b>53</b>
<b>56112138 - Laser Kit</b>	<b>55</b>
<b>56112141 - Vacuum Wand with Tote Bag Kit</b>	<b>57</b>
<b>56112244 - Chemical Injection Kit</b>	<b>59</b>
<b>56112351/56112352 - Control Panel Kits</b>	<b>61</b>
<b>56383384 - POWER CORD BRACKET KIT</b>	<b>63</b>
<b>RECOMMENDED SPARE PARTS</b>	<b>65</b>

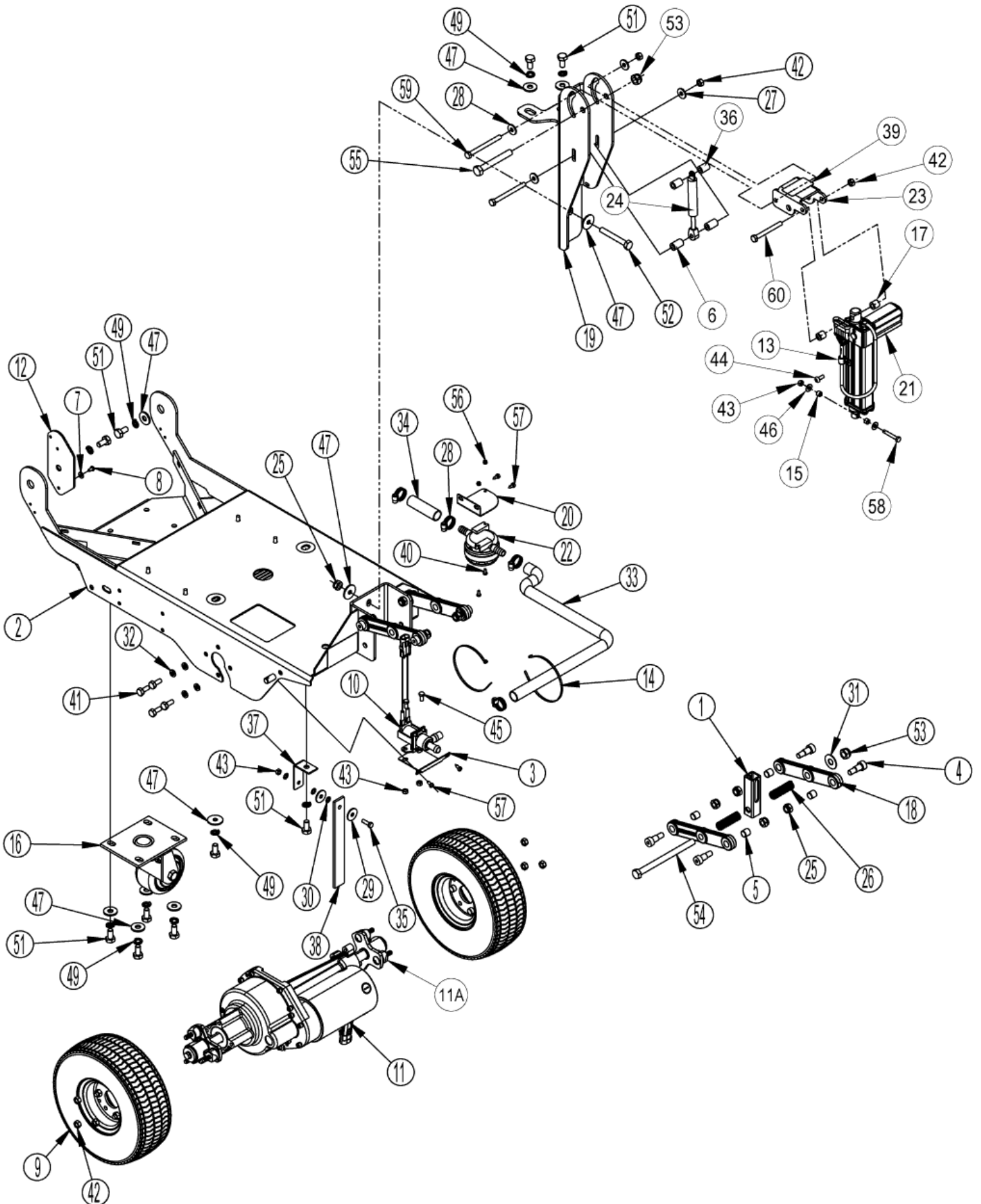
# Chassis System (Disk)

SC 800

08-01-2014

Part List ID  
SC80005

3



# Chassis System (Disk)

SC 800

08-01-2014

Part List ID SC80005

4

Pos	Part no.	Qty	Description
1	56109717	1	TUBE JACK MOTOR
2	56112765	1	CHASSIS WELDT
3	61932A	1	PLATE SOLUTION SYSTEM SUPPORT
4	88617A	8	SCREW SHOULDER M10-1.5XM12X16M
5	56112548	8	BUSHING
6	909 6113 000	2	SPACER 8.2X15X24
7	56001954	1	Washer flat Sae 10
8	56009030	1	SCR PAN PHIL THD FOM 10-2
9	56112109	2	TIRE
10	56112147	1	SOLENOID VALVE ASSY
11	56112543	1	TRANSAXLE
12	56112768	1	CONNECTOR BRKT
13	56323260	1	CLAMP CABLE
14	56478523	1	CABLE TIE___E00549
15	146 2258 000	2	SPACER 6.1X10X6.5
16	56112308	1	CASTER SWIVEL 4.00x2.00
17	909 6112 000	2	SPACER 8.2X15X14
18	9097197000	4	LEVER
19	9097368000	1	SUPPORT DECK LIFTING
20	9097370000	1	PLATE SUPPORT FILTER
21	40280A	1	ACTUATOR BOOST 32
22	909 5215 000	1	NET & GASKET WATER FILTER
			for 9100000362
22	9100000362	1	FILTER WATER
			TSB-FC-2013-127
23	9097456000	1	LEVER
24	54689A	1	GAS SPRING 500N
25	80223A	9	NUT
26	E04016	2	SPRING
27	170860	4	WASHER FLT 5/16 PLTD
28	722030	4	CLAMP.HOSE #6
29	980205	2	WASHER
30	980614	3	WASHER LK 1/4 EXT TOOTHPLTD
31	980648	1	WASH-17/32 ID X 1&1/16 OD
32	980652	8	WASHER.LK 5/16 REG(PLTD)
33	30828A	1	HOSE
34	30829A	1	HOSE
35	56003942	1	SCR-HEX SS M6-1 X 20MM
36	61937A	2	SPACER
37	61949A	1	BRACKET GROUND STRAP
38	69639A	1	STATIC STRAP FUSION
39	71017A	1	LABEL MOVING PARTS
40	80057A	2	SCREWM4-.7X10 PN PHILLIP SS
41	80183A	8	BOLT M8-1.25 X 20MM HEX
42	80198A	9	NUT M8-1.25 HEX

# Chassis System (Disk)

SC 800

08-01-2014

Part List ID  
SC80005

5

Pos	Part no.	Qty	Description
43	80199A	4	NUT, M6-1 HEX NYLON LOCK
44	80208A	1	SCREW M6-1 X 10MM P.P.HD
45	56003211	2	RING, RET EXT SS
46	87026A	2	WASHER. .250. FLAT. SS
47	87054A	10	WASHER FENDER 375
49	88612A	10	WASHER M10 LOCK
51	88614A	10	SCREW M10-1.5 X 20MM HEX
52	88616A	1	SCREW M10-1.5 X 75MM HEX
53	88618A	2	NUT M12-1.75 NYLOCK INSERT
54	88619A	1	SCREW M12-1.75X160MM HEX ZINC
55	88620A	1	SCREW M12-1.75 X 90MM HEX
56	88623A	2	NUT M4-.7 NYLON INSERT
57	88624A	4	SCREW M5 X 12MM HEX TRILOBE
58	88626A	1	SCREW M6-1 X 40MM HEX
59	56003390	2	SCR HEX M8X1.25X90MM
60	88635A	1	SCREW M8-1.25 X 75MM HEX
11A	40628A	4	BRUSH CARBON MOTOR (for 56112543)
11A	56380158	2	FLANGE KIT (for 56112543)
11A	56382670	1	KIT TRANSAXLE MOTOR (for 56112543) (M1)

# Chassis System (Cylindrical)

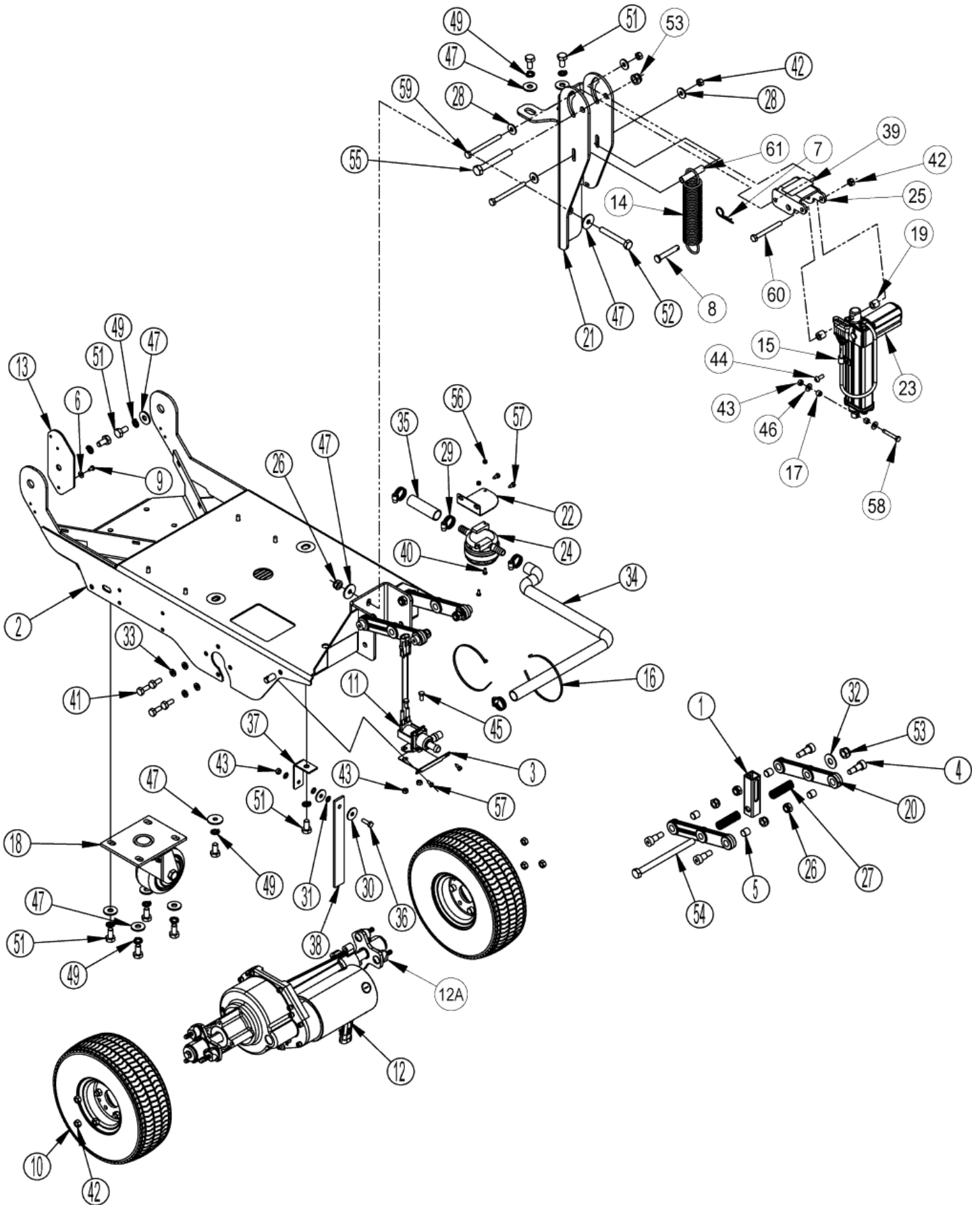
SC 800

08-01-2014

Part List ID

SC80007

6



# Chassis System (Cylindrical)

SC 800

08-01-2014

Part List ID  
SC80007

7

Pos	Part no.	Qty	Description
1	56109717	1	TUBE JACK MOTOR
2	56112765	1	CHASSIS WELDT
3	61932A	1	PLATE SOLUTION SYSTEM SUPPORT
4	88617A	8	SCREW SHOULDER M10-1.5XM12X16M
5	56112548	8	BUSHING
6	56001954	1	Washer flat Sae 10
7	56002959	1	Pin Cot Hair SS.125x.5dia
8	56003656	1	CLEVIS PIN, .375 X 2.25
9	56009030	1	SCR PAN PHIL THD FOM 10-2
10	56112109	2	TIRE
11	56112147	1	SOLENOID VALVE ASSY L1
12	56112543	1	TRANSAXLE
13	56112281	1	CONNECTOR BRACKET
14	56422075	1	SPRING EXTENSION
15	56323260	1	CLAMP CABLE
16	56478523	1	CABLE TIE____E00549
17	146 2258 000	2	SPACER 6.1X10X6.5
18	56112308	1	CASTER SWIVEL 4.00x2.00
19	909 6112 000	2	SPACER 8.2X15X14
20	9097197000	4	LEVER
21	9097368000	1	SUPPORT DECK LIFTING
22	9097370000	1	PLATE SUPPORT FILTER
23	40280A	1	ACTUATOR BOOST 32
24	909 5215 000	1	NET & GASKET WATER FILTER (for 9100000362
24	9100000362	1	FILTER WATER TSB-FC-2013-127
25	9097456000	1	LEVER
26	80223A	9	NUT
27	E04016	2	SPRING
28	170860	4	WASHER FLT 5/16 PLTD
29	722030	4	CLAMP.HOSE #6
30	980205	2	WASHER
31	980614	3	WASHER LK 1/4 EXT TOOTHPLTD
32	980648	1	WASH-17/32 ID X 1&1/16 OD
33	980652	8	WASHER.LK 5/16 REG(PLTD)
34	30828A	1	HOSE
35	30829A	1	HOSE
36	56003942	1	SCR-HEX SS M6-1 X 20MM
37	61949A	1	BRACKET GROUND STRAP
38	69639A	1	STATIC STRAP FUSION
39	71017A	1	LABEL MOVING PARTS
40	80057A	2	SCREWM4-.7X10 PN PHILLIP SS
41	80183A	8	BOLT M8-1.25 X 20MM HEX
42	80198A	9	NUT M8-1.25 HEX

# Chassis System (Cylindrical)

SC 800

08-01-2014

Part List ID  
SC80007

8

Pos	Part no.	Qty	Description	
43	80199A	4	NUT, M6-1 HEX NYLON LOCK	
44	80208A	1	SCREW M6-1 X 10MM P.P.HD	
45	56003211	2	RING, RET EXT SS	
46	87026A	2	WASHER. .250. FLAT. SS	
47	87054A	10	WASHER FENDER 375	
49	88612A	10	WASHER M10 LOCK	
51	88614A	10	SCREW M10-1.5 X 20MM HEX	
52	88616A	1	SCREW M10-1.5 X 75MM HEX	
53	88618A	2	NUT M12-1.75 NYLOCK INSERT	
54	88619A	1	SCREW M12-1.75X160MM HEX ZINC	
55	88620A	1	SCREW M12-1.75 X 90MM HEX	
56	88623A	2	NUT M4-.7 NYLON INSERT	
57	88624A	4	SCREW M5 X 12MM HEX TRILOBE	
58	88626A	1	SCREW M6-1 X 40MM HEX	
59	56003390	2	SCR HEX M8X1.25X90MM	
60	88635A	1	SCREW M8-1.25 X 75MM HEX	
61	56112520	1	SPACER	
12A	40628A	4	BRUSH CARBON MOTOR	(for 56112543)
12A	56380158	2	FLANGE KIT	(for 56112543)
12A	56382670	1	KIT TRANSAXLE MOTOR	(for 56112543) (M1)



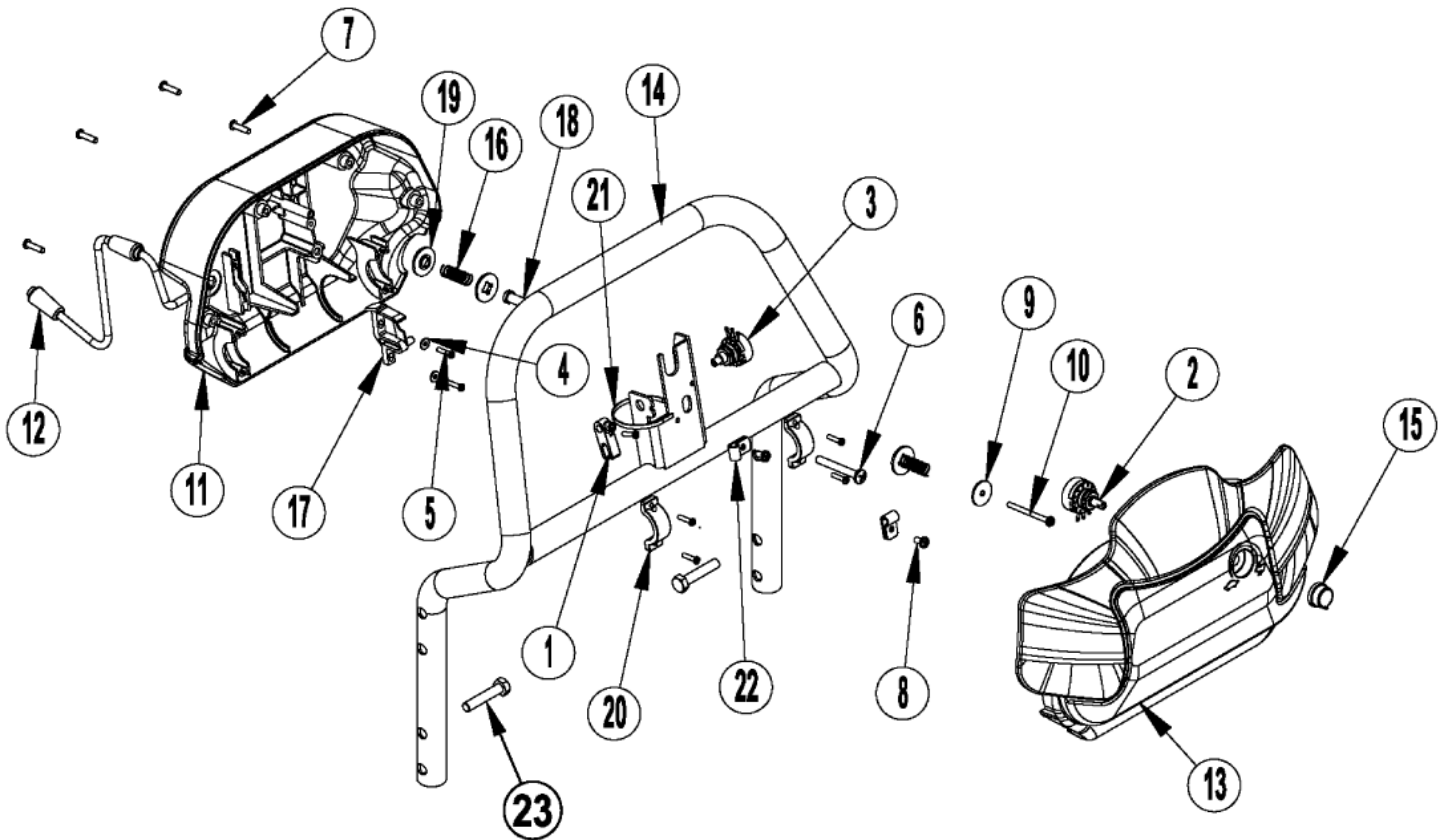
# Control System

SC 800

08-01-2014

Part List ID  
SC80008

9



# Control System

SC 800

08-01-2014

Part List ID  
SC80008

10

Pos	Part no.	Qty	Description	
	56112218	1	PADDLE ASSY	1-22
1	56109648	1	POTENTIOMETER FORK	
2	56396197	1	POTENTIOMETER, 100 K	R2
3	56397029	1	POTENTIOMETER 5K	R1
4	56002006	2	Washer flat Sae 6	
5	56003197	7	SCR PAN PHIL PLASTITE 6 - 18X.62	
6	56003527	1	SCREW	
7	56003545	4	SCR PAN PHIL PLASTITIES 10X7.5	
8	56009030	2	SCR PAN PHIL THD FOM 10-2	
9	56009096	1	Washer flat .193x.875x.06	
10	56009287	1	SCREW	
11	56109716	1	PADDLE BACK COVER	
12	56112179	1	HARNESS PADDLE	
13	56315230	1	PADDLE, FRONT COVER	
14	56112767	1	WELDMENT-HANDLE BAR	
15	56315280	1	KNOB	
16	56325654	2	SPRING USE 08812343	
17	56397015	1	CAM CONTROLLER	
18	56397109	1	SLEEVE	
19	56397170	3	PLASTIC WASHER	
20	56397171	2	CLAMP	
21	56478246	1	Cable Tie E00549 Re438B	
22	56481890	2	Clamp Cable	
23	56002094	4	5/16-18 X 1-1/2 BOLT	

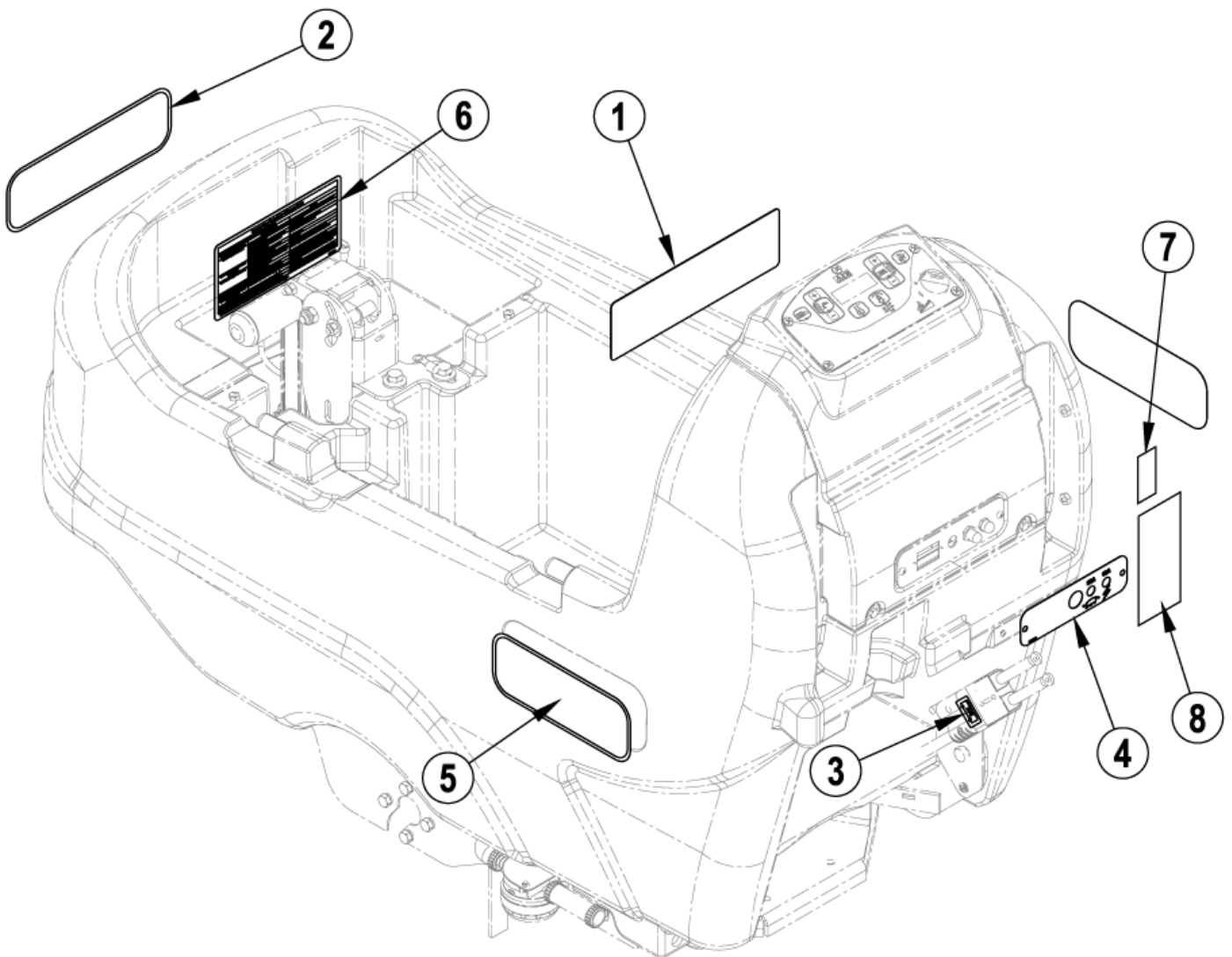
# Decal System

SC 800

08-01-2014

Part List ID SC80009

11



# Decal System

SC 800

08-01-2014

Part List ID  
SC80009

12

Pos	Part no.	Qty	Description
1	56014601	1	DECAL, CAUTION
2	56016731	1	DECAL,NILFISK
3	56054192	1	Decal Charger Wca398
4	56112168	1	DECAL-CIRCUIT BREAKER
5	56112531	2	DECAL-NILFISK SC800
5	56112532	2	DECAL-NILFISK SC800 ECO FLEX
6	56112292	1	DECAL-ERROR CODES
7	71362A	1	LABEL NFSI
8	56112539	1	DECAL-WARNING/WIRING

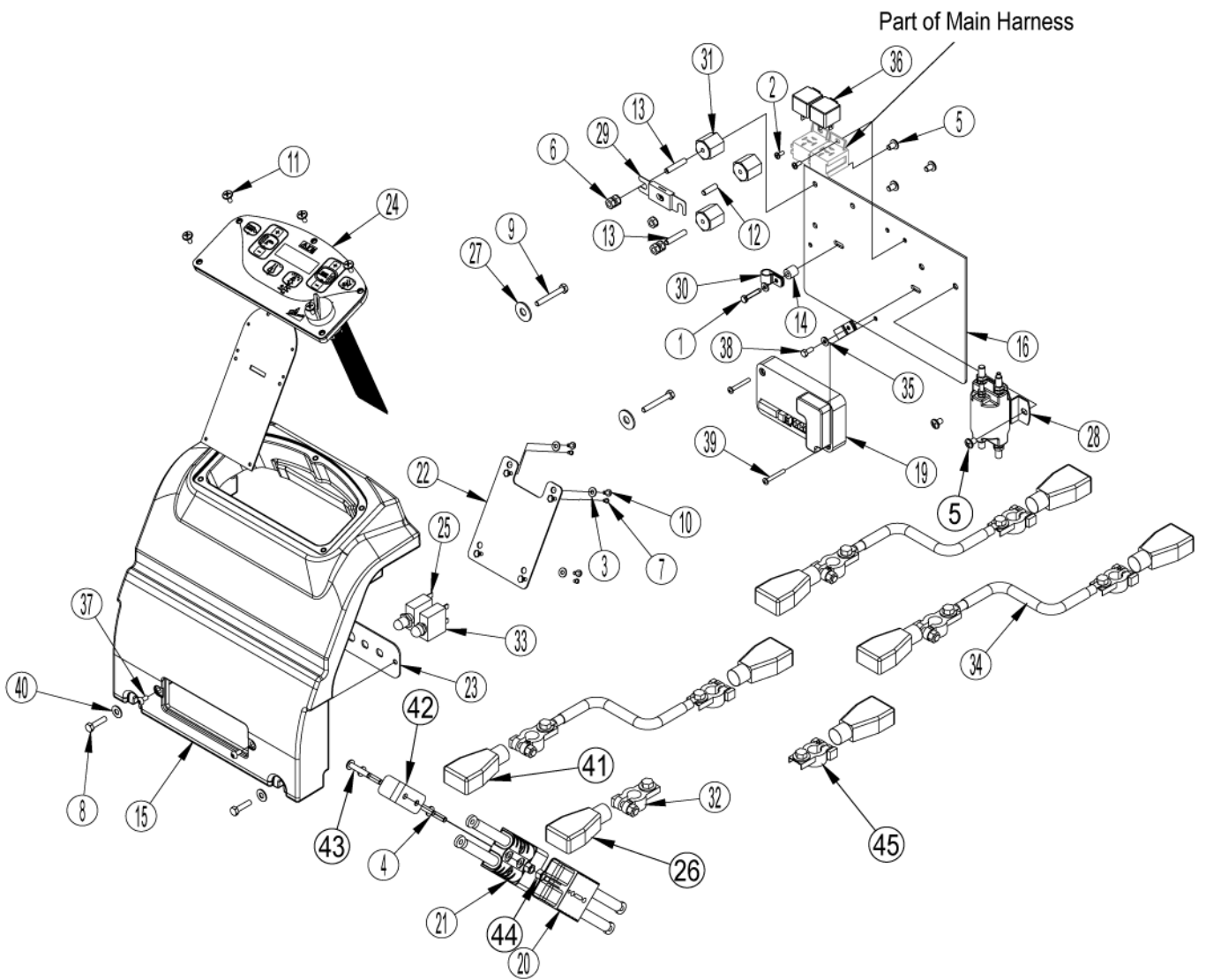
# Electrical System

SC 800

08-01-2014

Part List ID  
SC80011

13



# Electrical System

SC 800

08-01-2014

Part List ID  
SC80011

14

Pos	Part no.	Qty	Description
1	33003964	1	SCREW M5X25 UNI5739
2	56001818	2	SCR PAN HD PHIL 8-32 X .3
3	56002140	4	WASHER FLAT SAE 8 ZINC PLAT
4	56002292	2	Screw
5	56002462	5	SCR PAN PHIL 1/4-20X0.38 replaced by 56002145
6	56002561	5	NUT KEPS 1/4-20
7	56003336	4	SCR PAN PHIL BLK 6 32 X .19
8	56003430	2	SCR HEX SS M6-1.00X25MM
9	56003631	2	SCR HEX M6 1.0 X 45MM
10	56003653	4	STUD
11	56003808	5	SCR-TRUSS PHIL BLK M5-0.8 X12MM
12	56009020	1	1/4-20 X 7/8 STUD
13	56009203	2	Stud 1/4- 20x1.31
14	56046309	1	SPACER PHENOLIC
15	56112112	1	CONTROL PANEL
16	56112115	1	ELECTRICAL PANEL
17	56112169	1	CABLE-JUMPER
18	56112174	1	HARNESS-MAIN
19	56112187	1	SPEED CONTROLLER 70A 24V (A2)
20	56112188	1	HARNESS-CONNECTOR BATTERY
21	56112189	1	HARNESS-CONNECTOR PANEL
22	56112535	1	BRACKET-PCB MOUNT
23	56112540	1	PLATE-CIRCUIT BREAKER NOTE 1
24	56112253	1	KIT-INTERFACE PANEL (MEMBRANE SWITCH, MEMBRANE PANEL, GASKET)
24	56112351	1	KIT AXP CONTROL
24	56303526	1	KEY, REPLACEMENT SET OF 2 (FOR 56303553)
24	56303553	1	KEY SWITCH ASSEMBLY
25	56315256	1	CIRCUIT BREAKER 30AMP (CB1)
26	2-00-05173	4	BAT TERMINAL COVER BLK
27	56385358	2	Washer flat Zn .392CI267B
28	56397088	1	Contactora (K2)
29	56412089	1	FUSE 150 AMP (F1)
30	56442011	2	CLAMP CABLE .438 E00129
31	56469858	3	Insulated Standoff
32	L08812064	4	Battery plug minus
33	56507644	1	CIRCUIT BREAKER (CB2)
34	56409485	3	Cable battery
35	980643	2	7/16ODX.036THK WASHER
36	41075A	2	RELAY
37	80193A	2	SCREW, M5-0.8 X 10MM P.P
38	80249A	1	SCREWM5-.8X12MM HEX HEAD S.S.
39	80380A	2	SCREW 8-32 X 1-1/4 PH
40	87026A	2	WASHER. .250. FLAT. SS

NOTE 1: Circuit Breaker Plate 56112122 is obsolete and has been replaced by 56112540.

# Electrical System

SC 800

08-01-2014

Part List ID  
SC80011

15

Pos	Part no.	Qty	Description
41	2-00-05171	4	BAT TERMINAL COVER RED
42	56112354	1	HANDLE
43	56002825	2	Screw (s/s) replaced by 56002786
44	56002708	2	Nut Hex Nyloc 1/4-20
45	L08812063	4	Battery plug plus

NOTE 1: Circuit Breaker Plate 56112122 is obsolete and has been replaced by 56112540.

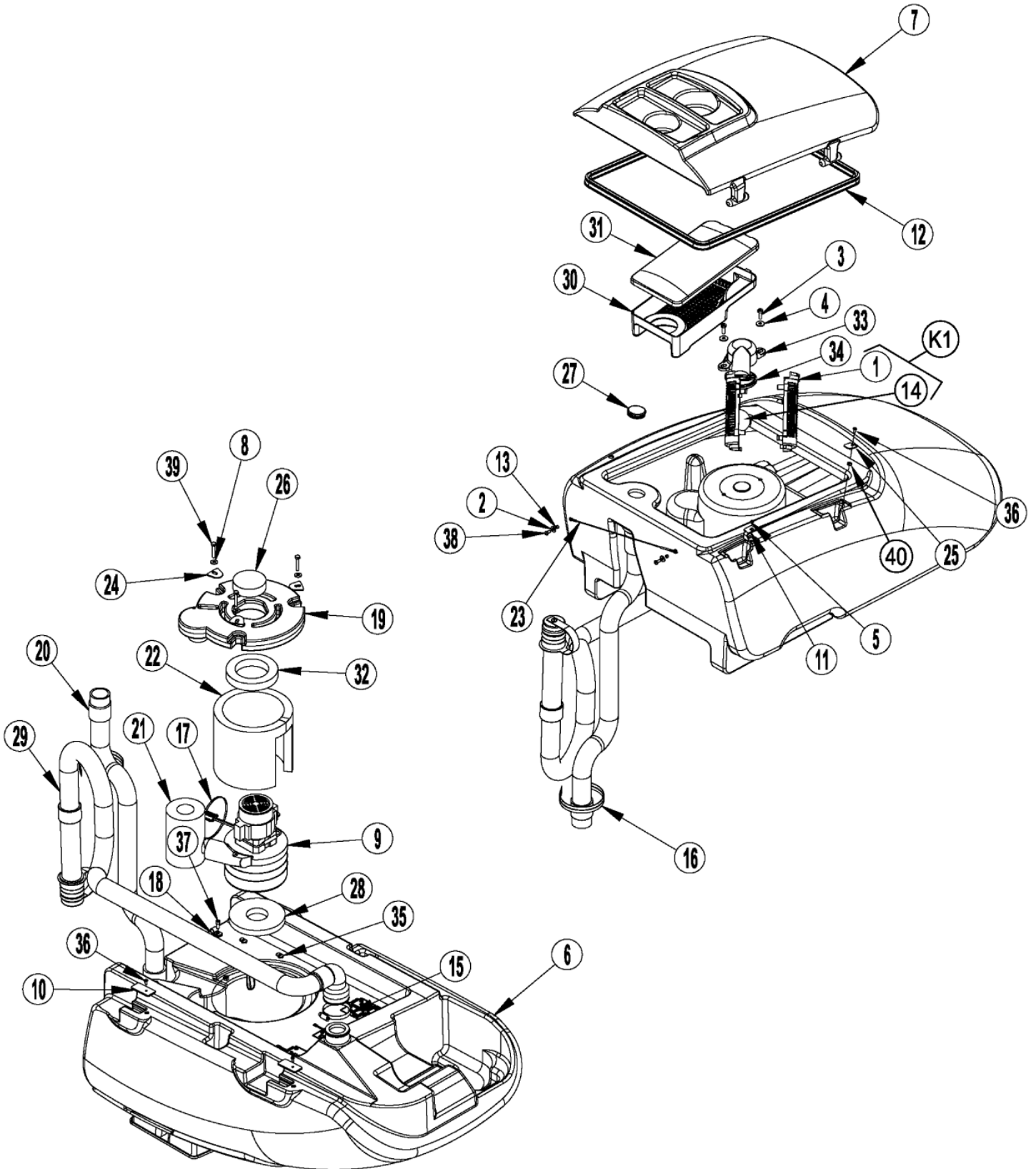
# Recovery System

SC 800

08-01-2014

Part List ID  
SC80013

16





# Recovery System

SC 800

08-01-2014

Part List ID  
SC80013

17

Pos	Part no.	Qty	Description	
1		2	NOTE COMMENT	K1 - CAGE, FLOAT
2	56002053	2	#10-24 X 1/2 SCREW	
3	56003896	2	SCR-PAN PHIL SS M6-1.0 X 20MM	
4	56003638	2	WSH,FLT SS M6	
5	56003823	1	SCR-FLT PHIL SS M4-0.7 X 8MM	
6	56112102	1	RECOVERY TANK	
7	56112103	1	RECOVERY LID	
8	87026A	3	WASHER. .250. FLAT. SS	
9	56112239	1	VAC MOTOR 24VDC	(M5)
9	56380529	1	CARBON BRUSH/SET OF 2	(for 56112239)
10	56112293	2	RETAINER PLATE	
11	56112296	1	RETAINER PLATE	
12	56112297	1	GASKET RECOVERY	
13	56151092	2	Bushing .18x.25x.15G31H	
14		1	NOTE COMMENT	K1 - BALL, FLOAT
15	56440213	2	Clamp hose Sae #32E00047	
16	56477613	2	Cable Tie E00549 Re409S	
17	56478523	1	CABLE TIE___E00549	
18	56323260	2	CLAMP CABLE	
19	909 6051 000	1	MOTOR COVER	
20	56112316	1	SUCTION HOSE	
21	909 6442 000	1	PIPE ACOUSTIC INSULATION	
22	909 6491 000	1	PANEL ACOUSTIC INSULATION	
23	909 6634 000	1	CABLE STOP-LID	
24	909 6638 000	3	PLATE VACUUM COVER	
25	909 6643 000	1	PLATE TANK COVER	
26	909 6672 000	1	FILTER	
27	909 6899 000	1	CAP TANK	
28	9096918000	1	GASKET VACUUM MOTOR	
29	56112310	1	DRAIN HOSE RECOVERY	
30	9097384000	1	BASIN FILTER	
31	9097477000	1	COVER TANK FILTER	
32	9097555000	1	GASKET VACUUM MOTOR	
33	9097587000	1	CAGE FLOAT	
34	9097588000	1	GASKET FLOAT SUPPORT	
35	9097589000	2	NUT JAW M6X6 INOX SS	
36	80057A	3	SCREWM4-.7X10 PN PHILLIP SS	
37	80208A	2	SCREW M6-1 X 10MM P.P.HD	
38	80363A	2	SCREW M5-.8X12 BT	
39	80410A	3	SCREW M6-1 X 35MM HEX ZINC	
40	909 6679 000	1	BUSH FLANGED	
K1	56112303	1	KIT-FLOAT BALL CAGE	K1

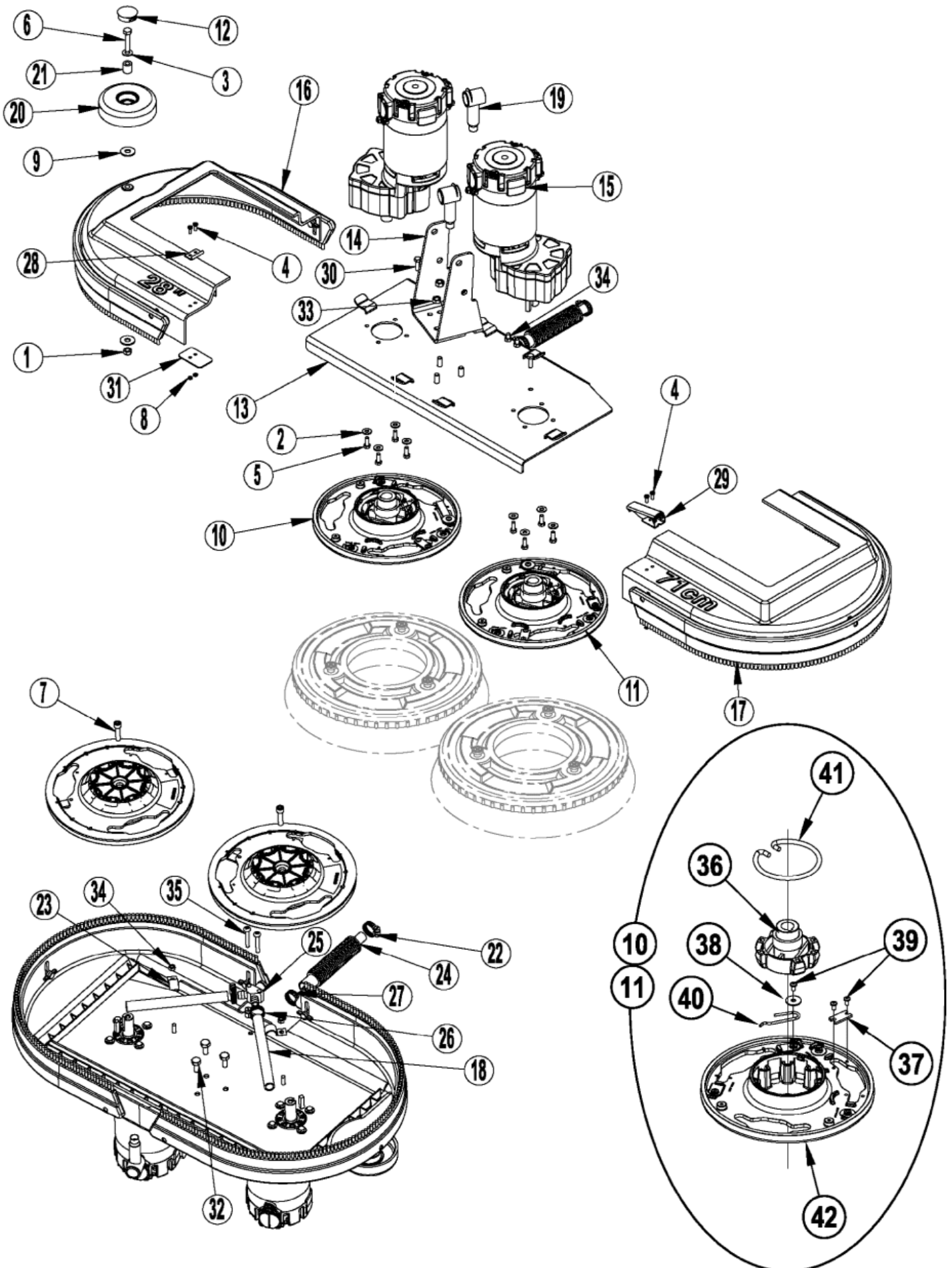
# Scrub System (Disk)

SC 800

08-01-2014

Part List ID  
SC80015

18



# Scrub System (Disk)

SC 800

08-01-2014

Part List ID SC80015

19

Pos	Part no.	Qty	Description	
1	56002851	1	Nut Hex Nyl Loc Thin SS5/ use 56002856	
2	56002859	8	Washer flat Sae SS 1/4	
3	56002938	1	5/16 SS FLAT WASHER	
4	56003948	4	SCR-PAN PHIL SS M4-0.7 X 12MM	
5	56003431	8	SCR HEX HD SS M6-1.0 X 16 MM 16 pieces in a pack	
6	56003455	1	HEX HD SS 5/16 1	
7	56003798	2	SCR SOC HD 5/16-18 x 1.25	
8	56003949	4	NUT-HEX NYL LOC SS M4-0.7	
9	56009213	2	SH,FLT .382X1.000X.075	
10	56109651	1	BRUSH PLATE ASSY CCW	36-43
11	56109652	1	BRUSH PLATE ASSY CW	36-43
12	56111444	1	BUTTON PLUG 1.25	
13	56112759	1	BRUSH PLATE WELDT 34D	SC800-86
14	56112523	1	LINKAGE BRACKET WELDMENT	
15	56112240	2	MOTOR GEARBOX ASSY	M3 / M4
15	56112242	2	CARBON BRUSH KIT	(for 56112240)
16	56112259	1	BRUSH SKIRT ASSY 28D LEFT	SC800-71
16	56112261	1	BRUSH SKIRT ASSY-34D LEFT	SC800-86
17	56112260	1	BRUSH SKIRT ASSY 28D RIGHT	SC800-71
17	56112262	1	BRUSH SKIRT ASSY-34D RIGH	SC800-86
17	56112306	1	KIT BRISTLE SKIRT 28	SC800-71/ INCLUDES TWO SKIRTS AND MOUNTING HARDWAR
17	56112307	1	KIT-BRISTLE SKIRT 34	SC800-86/ INCLUDES TWO SKIRTS AND MOUNTING HARDWAR
18	30453A	2	SOL. HOSE BRUSH	SC800-86
18	56397207	2	HOSE, PVC .500X7.00in E00	SC800-71
19	56409538	2	Insulator, terminal	
20	56601450	1	WHEEL 4.00 OD	
21	56601499	1	BUSHING NYLON	
22	722030	1	CLAMP.HOSE #6	
23	782002	2	CLAMP-MANIFOLD RM-10	
24	30412A	1	HOSE. SOLUTION (VISION)	
25	38014A	1	SOLUTION SPLITTER	
26	50248A	2	CLAMP, 3/8 HOSE	
27	53571A	1	CLAMP HOSE	
28	55451A	1	BRUSH KEEPER HOUSING ENC 28/38	
29	55721A	1	LATCH.BRSH.HSG. (ENCORE 2 8-38)	
30	56003942	2	SCR-HEX SS M6-1 X 20MM	
31	69186A	1	TAB LATCH BRUSH	
32	56003435	3	SCREW HEX HD SS M8	
33	80198A	3	NUT M8-1.25 HEX	
34	80199A	4	NUT, M6-1 HEX NYLON LOCK	
35	56003950	2	SCR-PAN PHIL SS M6-1.0 X 35MM	
36	56112521	1	GIMBAL COLLAR ASSEMBLY	
37	56366455	1	Plate Cv24B	

# Scrub System (Disk)

SC 800

08-01-2014

Part List ID  
SC80015

20

Pos	Part no.	Qty	Description
38	56009002	1	Washer flat
39	56009247	3	SCR PN PHIL PLASTITE 10
40	56109653	1	SPRING RETAINER
41	56601056	1	SPRING BRUSH HOLDER
42	56601118	1	BURSH PLATE

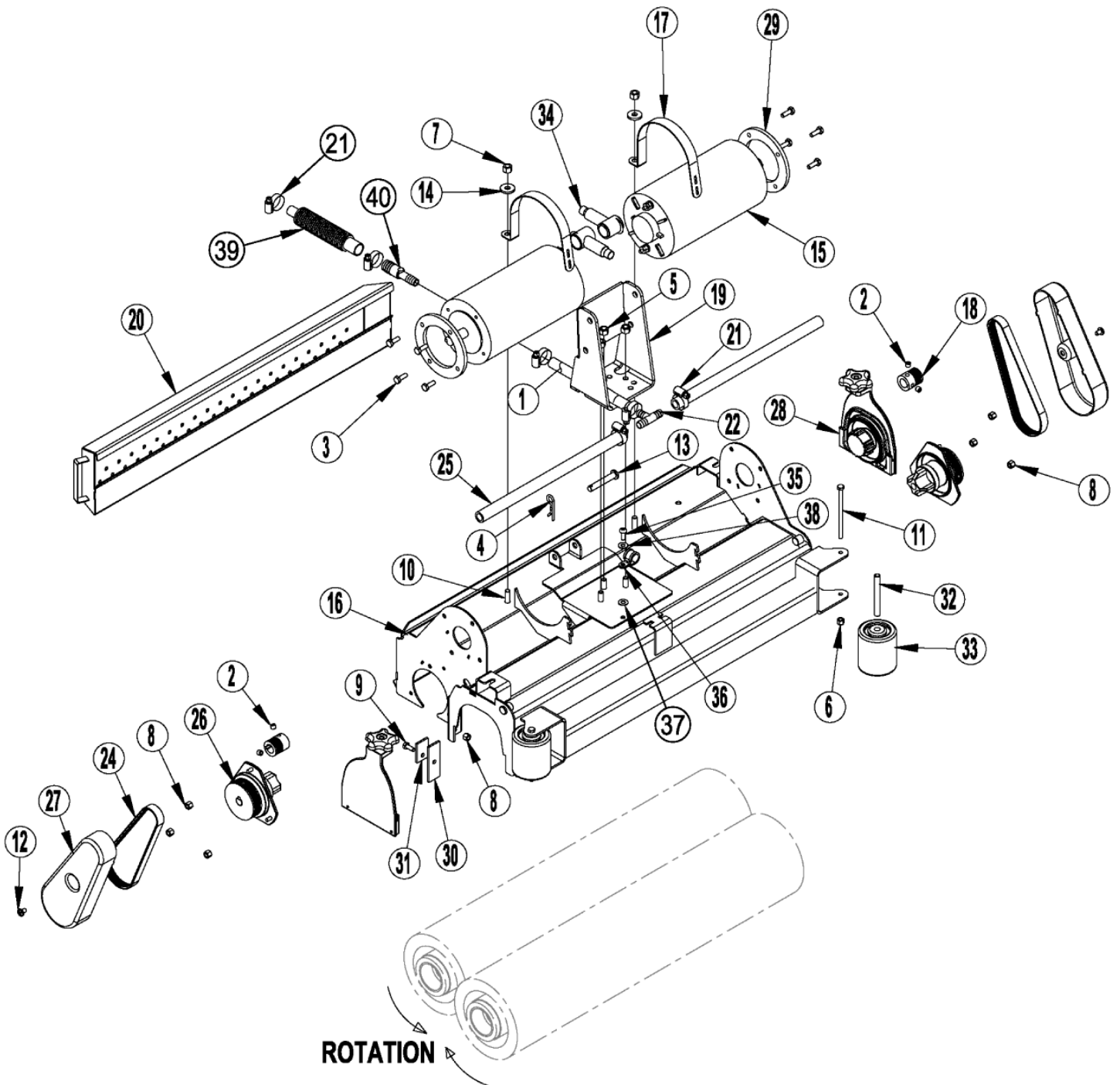
# Scrub System (Cylindrical)

SC 800

08-01-2014

Part List ID  
SC80017

21



# Scrub System (Cylindrical)

SC 800

08-01-2014

Part List ID  
SC80017

22

Pos	Part no.	Qty	Description
1	56397207	1	HOSE, PVC .500X7.00in E00
2	56002086	4	Scr Soc Set 5/16-18 x .25
3	56002948	8	Scr Hex Hd Loc 1/4-20(s/s)
4	56003222	1	PIN,COT HAIR. 125 X DIA.5
5	56003389	3	NUT HEX NYL LOC M*-1.25
6	56003403	2	Nut
7	56003405	2	NUT HEX NYL LOC M8X1.25
8	56003426	8	NUT HEX NYL LOC SS M6-1.0
9	56003431	2	SCR HEX HD SS M6-1.0 X 16 MM 16 pieces in a pack
10	56003436	2	SCREW
11	56003492	2	SCR HEX M6-1.0 X 95MM
12	56003603	2	SCR,PAN PHILTHDFORM 1/4-2
13	56003656	1	CLEVIS PIN, .375 X 2.25
14	56009122	2	WASHER, FLT .344X.938X.12
15	56112111	2	MOTOR-24 VDC 3/4HP (M3 / M4)
15	56412257	1	BRUSH CAP ASSY (1 PER MOT OR) (for 56112111)
16	56112161	1	BRUSH HOUSING WELDT-28C
17	56112165	2	STRAP-MOTOR
18	56112166	2	SHEAVE-POLY-V
19	56112523	1	LINKAGE BRACKET WELDMENT
20	56112283	1	HOPPER
21	56112771	6	Clamp hose Sae 10 E00047
22	56262549	1	Tee
24	56315321	2	BELT, AUTO TENSION
25	56315355	2	MANIFOLD PVC 28
26	56407559	2	DRIVE END ASSY
27	56315445	2	COVER, BELT
28	56314445	2	IDLER END ASSEMBLY
28	56396254	2	KNOB 56407303 REPLACED (for 56315448)
29	56316197	2	PLATE MOTOR SPACER
30	56407391	2	BLADE
31	56410214	2	STRAP
32	56412176	2	BUSHING
33	56412459	2	WHEEL
34	56409538	2	Insulator, terminal
35	56002066	1	1/4-20 X 5/8 SCREW
36	54779A	1	CLAMP P 5/8
37	56009064	1	WASHER, INT SHAKEPFOOF 1/
38	87026A	1	WASHER. .250. FLAT. SS
39	30412A	1	HOSE. SOLUTION (VISION)
40	56315625	1	BARB COUPLER 3/4 X 1/2

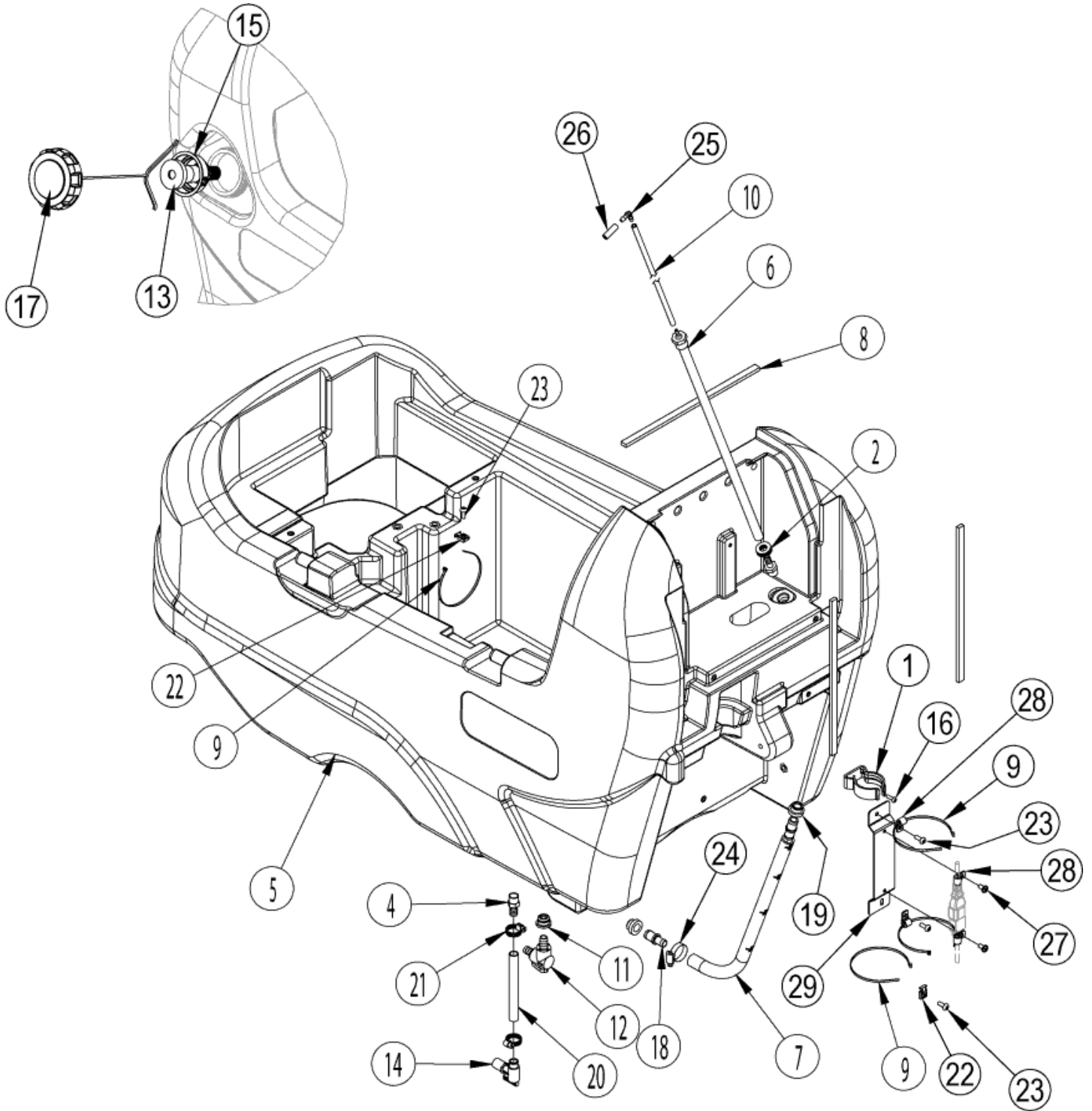
# Solution System

SC 800

08-01-2014

Part List ID  
SC80018

23



# Solution System

## SC 800

08-01-2014

Part List ID  
SC80018

24

Pos	Part no.	Qty	Description	
1	909 6380 000	1	HARDWARE, CLAMP KIT	
2	56002918	3	WSH FLT SAE SS 1/2	
3	56054691	1	ADPTR,PP-HS--3/8MPTX3/8HS ,BRS	
4	56109565	1	Barb	
5	56112101	1	SOLUTION TANK	
6	56112145	1	TUBE-PRESSURE SENSING	
7	56112348	1	DRAIN HOSE	
8	56419275	3	GASKET	
9	56478523	4	CABLE TIE____E00549	
10	56112551	1	HOSE	NOTE 1
11	909 5286 000	1	GASKET	
12	9097028000	1	VALVE ELBOW	
13	9097290000	1	HOSE FILLING	
14	59614A	1	BATTERY DRAIN VALVE (ENC 33)	
15	56112345	1	FILL HOSE SUPPORT	
16	964004	1	SCR M 5.0X0.8 X 16 PN*ST	
17	56601599	1	CAP RAW WITH TETHER	
18	56112346	2	STRAIGHT CONNECTOR	
19	31242A	2	BUSHING	
20	34704A	1	HOSE BRUSH VISION 211	
21	50248A	2	CLAMP, 3/8 HOSE	
22	52548A	2	TAB 1/4 SCREW ENCORE 17	
23	80208A	4	SCREW M6-1 X 10MM P.P.HD	
24	56244969	1	Clamp hose Sae 12	
25	56112552	1	ELBOW 3/16 X 3/16 POLY	NOTE 1
26	56112550	1	HOSE	NOTE 1
27	56009062	2	SCR PHIL THD1/4-20X-20X.5	
28	56323260	4	CLAMP CABLE	
29	56383383	1	POWER CORD BRACKET	

NOTE 1: Hose 56601273 is obsolete. To replace 56601273 please order Solution Level Kit 56112554.



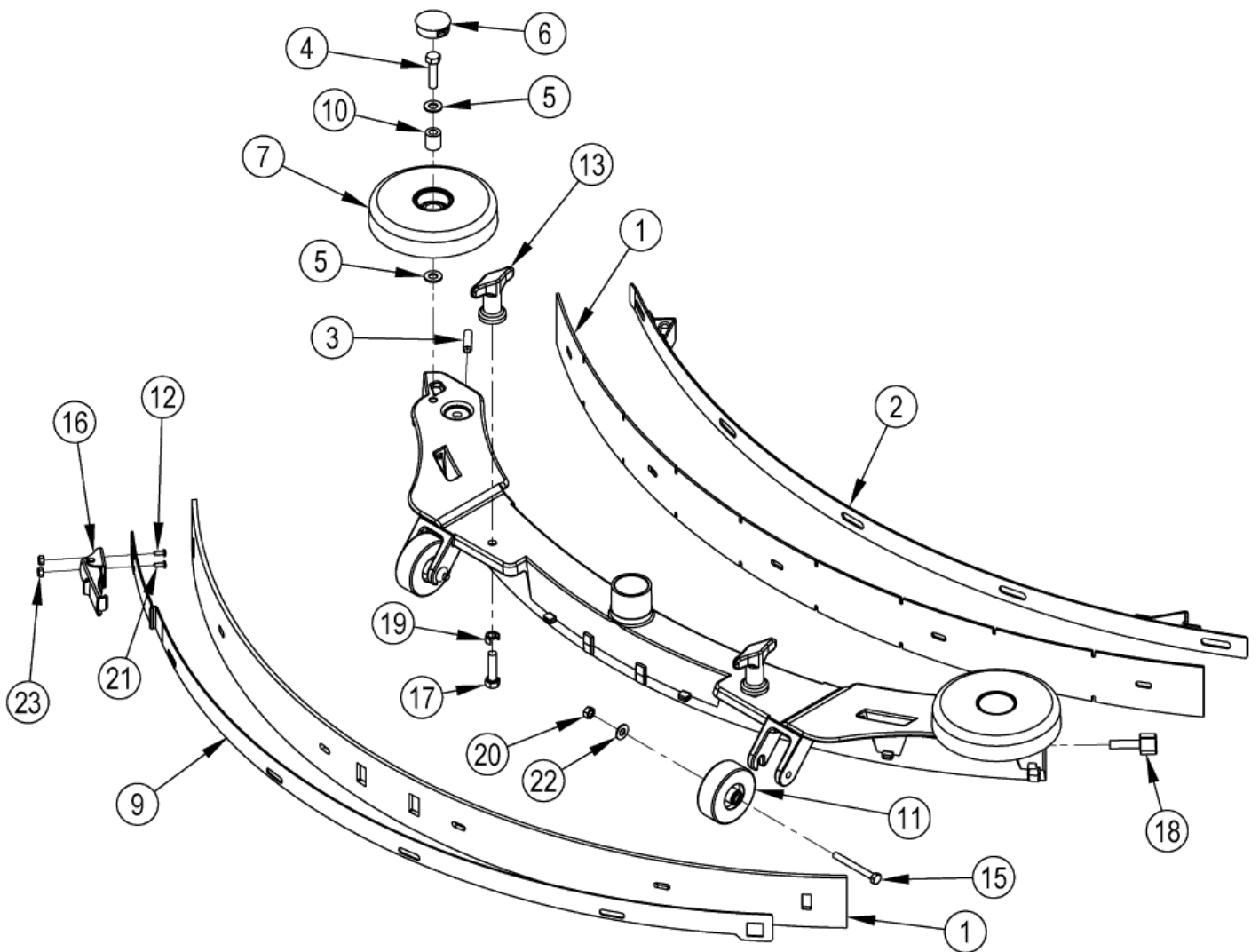
# Squeegee Assembly

SC 800

08-01-2014

Part List ID SC80019

25



# Squeegee Assembly

SC 800

08-01-2014

Part List ID  
SC80019

26

Pos	Part no.	Qty	Description	
	56112313	1	SQUEEGEE ASSY EU	SC800-71
	56112314	1	SQUEEGEE ASSY CYL EU	SC800-71C
	56112315	1	SQUEEGEE ASSY EU	SC800-86
1	56112330	1	BLADE KIT SQUEEGEE GUM	SC800-71 - NOTE 1
1	56112331	1	BLADE KIT SQUEEGEE RED GUM	SC800-71C - NOTE 1
1	56112333	1	BLADE KIT SQUEEGEE GUM	SC800-86) NOTE 1
2	60466A	1	STRAP SQUEEGEE FRONT 35	SC800-71
2	60546A	1	STRAP SQUEEGEE FRONT 41	SC800-86
3	88632A	1	SCREW	
4	56002884	2	SCR HEX HD SS 5/16-18 X 1	
5	56002938	4	5/16 SS FLAT WASHER	
6	56111444	2	BUTTON PLUG 1.25	
7	56112108	2	WHEEL	
9	56112213	1	STRAP SQUEEGEE REAR	SC800-71
9	56112214	1	STRAP SQUEEGEE REAR	SC800-86
10	56601499	2	BUSHING NYLON	
11	909 6883 000	1	WHEEL SQUEEGEE KIT	2 pcs.
12	56112300	1	REAR LATCH STRAP	
13	56370711	2	Nut Thumb 5/16-18 Cv 211F	
15	88629A	2	SCREW	
16	9098321000	1	LATCH SQUEEGEE	
17	962157	2	SCR 5/16-18X1&1/4 HX ST	
18	54647A	1	KNOB	
19	60564A	2	SHIM	
20	80199A	2	NUT, M6-1 HEX NYLON LOCK	
21	56002909	2	Scr Pan Phil SS 6-32 x 0.	
22	87026A	2	WASHER. .250. FLAT. SS	
23	56002907	2	Nut Hex Nyl Loc SS 6-32	
50	56112330	1	BLADE KIT SQUEEGEE GUM	NOTE 1
51	56112331	1	BLADE KIT SQUEEGEE RED GUM	NOTE 1
52	56112332	1	BLADE KIT SQUEEGEE PU	OPTIONAL, NOT INCLUDED - NOTE 1
60	56112333	1	BLADE KIT SQUEEGEE GUM	NOTE 1
61	56112334	1	BLADE KIT SQUEEGEE RED GUM	OPTIONAL, NOT INCLUDED - NOTE 1
62	56112335	1	BLADE KIT SQUEEGEE PU	OPTIONAL, NOT INCLUDED - NOTE 1

Pos. 50-52: SC800-71 Squeegee Blade Kits

Pos. 60-62: SC800-86 Squeegee Blade Kits

NOTE 1: All squeegee blade kits include both front and rear squeegee blades.

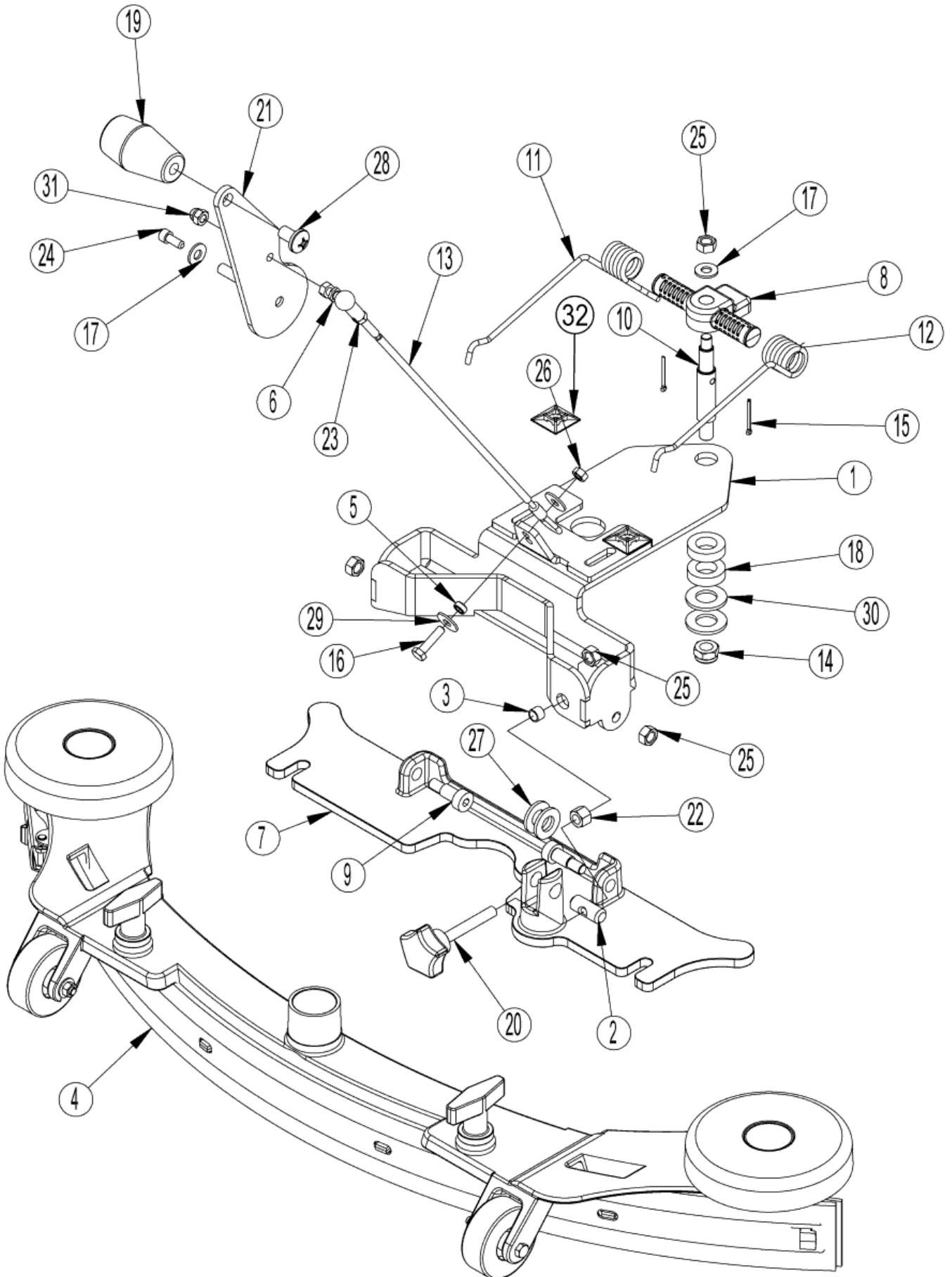
# Scqueegee System

SC 800

08-01-2014

Part List ID  
SC80021

27



# Scqueegee System

SC 800

08-01-2014

Part List ID  
SC80021

28

Pos	Part no.	Qty	Description
1	61953A	1	PLATE SQUEEGEE SUPPORT
2	L08601509	1	WASHER
3	L08602422	1	DISTANCE SLEEVE
4	56112313	1	SQUEEGEE ASSY EU
4	56112314	1	SQUEEGEE ASSY CYL EU
4	56112315	1	SQUEEGEE ASSY EU
5	145 1252 000	1	spacer d.6,5xd.10x4,5
6	145 8479 000	1	Articulated head M 6
7	909 6045 000	1	SUPPORT, SQUEEGEE
8	909 6052 000	1	SUPPORT,SQUEEGEE SPRING
9	909 6495 000	2	SCREW,SHOULDER M10X16 ISO 7379
10	909 6497 000	1	PIN SQUEEGEE
11	909 6537 000	1	SPRING,SQUEEGEE PUSHING
12	909 6538 000	1	SPRING,SQUEEGEE PUSHING
13	9097366000	1	CABLE SQUEEGEE LIFTING
14	80223A	1	NUT
15	925044	2	PIN-3/32X1 COTTER
16	964054	1	SCR M 6.0X1.0 X 25 HX ST
17	980651	2	WASHER. 5/16 SAE FLAT
18	38708A	2	SPACER.BRUSH END. EXT-210
19	52557A	1	SQUEEGEE KNOB ENCORE 17
20	54699A	1	KNOB
21	61952A	1	LEVER SQUEEGEE LIFT
22	80163A	1	NUT
23	80171A	1	NUT M6-1 HEX
24	80179A	1	SCREW M6-1 X 16MM PHD PH SS
25	80198A	4	NUT M8-1.25 HEX
26	80199A	1	NUT, M6-1 HEX NYLON LOCK
27	80424A	2	WASHER NYLON 1 X 1/2 X .1
28	85389A	1	SCR 3/8 -16X 5/8 PN*SY
29	87007A	2	WASHER-CONTROL SHAFT ECCE
30	87613A	2	WASHER.NYLON.2000BT II
31	88640A	1	NUT M6-1 ACORN ZINC PLATED
32	909 6635 000	2	HOLDER,FLAT TIE

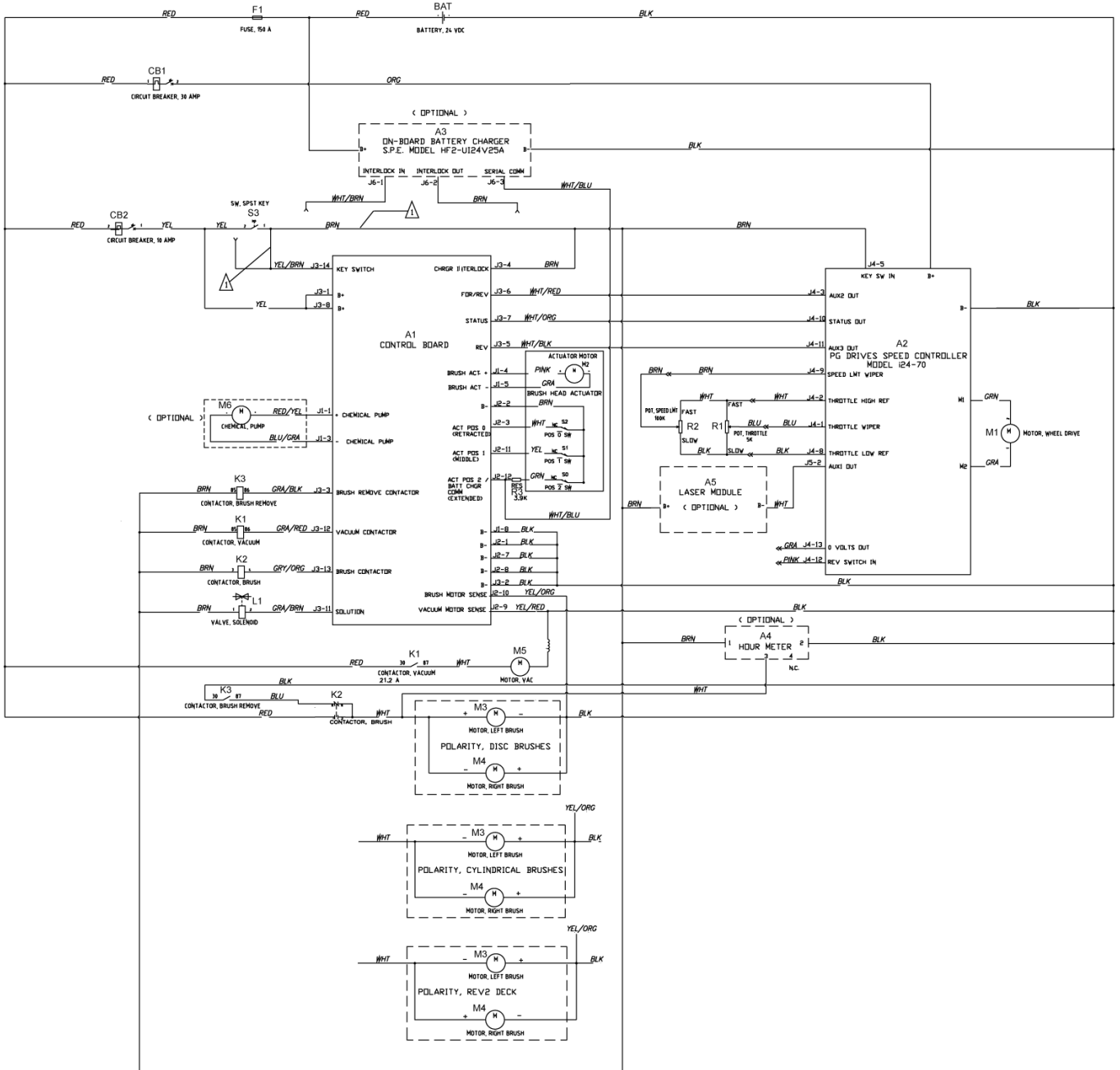
# Ladder Diagram

SC 800

08-01-2014

Part List ID  
SC80023

29



NOTES:  
 ⚠ WHEN ON-BOARD CHARGER IS USED, REMOVE BRN WIRE FROM KEY SW. CONNECT TO BRN WIRE FROM BATTERY CHARGER, & REPLACE WITH WHT/BRN WIRE FROM CHARGER. ALSO, MOVE YEL/BRN WIRE AT KEY SWITCH FROM BRN to YEL.

# Ladder Diagram

SC 800

08-01-2014

Part List ID  
SC800Z3

30

Pos	Part no.	Qty	Description	
A1	56112351	1	KIT AXP CONTROL	
A2	56112187	1	SPEED CONTROLLER 70A 24V	
A3	56114378	1	BATTERY CHARGER 24V 25A	OPTIONAL
A4	56393718	1	HOUR METER	OPTIONAL
A5	56112136	1	LASER	OPTIONAL
F1	56412089	1	FUSE 150 AMP	
K1	41075A	1	RELAY	
K2	56397088	1	Contactora	
K3	41075A	1	RELAY	
L1	56112147	1	SOLENOID VALVE ASSY	
M1	56382670	1	KIT TRANSAXLE MOTOR	
M2	40280A	1	ACTUATOR BOOST 32	
M3	56112111	1	MOTOR-24 VDC 3/4HP	CYLINDRICAL
M3	56112240	1	MOTOR GEARBOX ASSY	DISK
M4	56112111	1	MOTOR-24 VDC 3/4HP	CYLINDRICAL
M4	56112240	1	MOTOR GEARBOX ASSY	DISK
M5	56112239	1	VAC MOTOR 24VDC	
M6	56315241	1	PUMP CHEMICAL	OPTIONAL
R1	56397029	1	POTENTIOMETER 5K	
R2	56396197	1	POTENTIOMETER, 100 K	
R3		1	NOTE COMMENT	PART OF MAIN WRING HARNESS, NOT AVAILABLE
S0		1	NOTE COMMENT	PART OF M2, NOT AVAILABLE
S1		1	NOTE COMMENT	PART OF M2, NOT AVAILABLE
S2		1	NOTE COMMENT	PART OF M2, NOT AVAILABLE
S3	56303553	1	KEY SWITCH ASSEMBLY	
BAT		1	NOTE COMMENT	BATTERY-24VDC, NOT AVAILABLE
CB1	56315256	1	CIRCUIT BREAKER 30AMP	
CB2	56507644	1	CIRCUIT BREAKER	

# Optional Kits and Accessories

SC 800

08-01-2014

Part List ID  
SC80024

31

No Drawing For Part List

# Optional Kits and Accessories

SC 800

08-01-2014

Part List ID  
SC80024

32

Pos	Part no.	Qty	Description	
1	56112245	1	KIT ON BOARD CHARGER	
2	56112141	1	KIT VAC WAND WITH TOTE BAG	
6	56112138	1	KIT LASER	
7	56112140	1	KIT WET FLOOR HOLDER	
8	56112312	1	KIT MOP HOLDER	
9	56112244	1	KIT CHEMICAL INJECTION EU	
20	56112330	1	BLADE KIT SQUEEGEE GUM	NOTE 1
21	56112331	1	BLADE KIT SQUEEGEE RED GUM	NOTE 1
22	56112332	1	BLADE KIT SQUEEGEE PU	NOTE 1
30	56112333	1	BLADE KIT SQUEEGEE GUM	NOTE 1
31	56112334	1	BLADE KIT SQUEEGEE RED GUM	NOTE 1
32	56112335	1	BLADE KIT SQUEEGEE PU	NOTE 1
40	56112222	1	UTILITY CADDY	
41	56112255	1	PROGRAMMER WITH CABLE	
61		1	CHARGER HF 24V 20A CH11 ADD 909 5676 000 UK CABLE	
70	56505800	2	BRUSH PADHOLDER 14in	
71	56505195	2	PAD RETAINER DEVICE SNAP LOCK	
72	56505805	2	BRUSH PROLITE 14in	
73	56505804	2	BRUSH PROLENE 14in	
74	56505806	2	BRUSH UNION MIX 14in	
75	56505803	2	BRUSH AGLITE 14in	
76	56505807	2	BRUSH MIDGRIT 240 14in	
77	56505808	2	BRUSH MIDLITE 180 14in	
78	56505802	2	BRUSH DYNA GRIT 14in	
79	56505801	2	BRUSH MAGNAGRIT 14in	
80	56505780	2	BRUSH PADHOLDER 43CM	
81	56505195	2	PAD RETAINER DEVICE SNAP LOCK	
82	56505785	2	BRUSH PROLITE 43CM LIGHT DUTY	
83	56505784	2	BRUSH PROLENE 43CM MEDIUM HEAVY DUTY	
84	56505786	2	BRUSH UNION MIX 43CM	
85	56505783	2	BRUSH AGLITE GRIT 500 SOFT 43CM	
86	56505787	2	BRUSH MIDGRIT 240 43CM MEDIUM DUTY	
87	56505788	2	BRUSH MIDLITE GRIT 180 43CM MEDIUM DUTY	
88	56505782	2	BRUSH DYNA GRIT 80 43CM HEAVY DUTY	
89	56505781	2	BRUSH MAGNA GRIT 46 43CM EXTREME HEAVY DUTY	
91	56412192	2	CYLINDRICAL BRUSH 680MM 28in HARD NYLON	
92	56412046	2	CYLINDRICAL BRUSH 680MM 28in POLYPROPYLENE	
93	56412193	2	CYLINDRICAL BRUSH 680MM 28in 180 GRIT	
95	56412195	2	CYLINCRICAL BRUSH 680MM 28in 46 GRIT	

NOTE 1: All squeegee blade kits include both front and rear squeegee blades.

80564000 4 Battery, 6v 180 A/H

Optional Battery Chargers

\* 80568700 1 Charger, 24vdc, 20 Amp, 230vac (UK)





# Brush Selector Guide - Disk

SC 800

08-01-2014

Part List ID  
SC80025

34

Pos	Part no.	Qty	Description
1	56505800	1	BRUSH PADHOLDER 14in
2	56505195	1	PAD RETAINER DEVICE SNAP LOCK FOR 56505800
3	56505805	1	BRUSH PROLITE 14in
4	56505804	1	BRUSH PROLENE 14in
5	56505806	1	BRUSH UNION MIX 14in
6	56505803	1	BRUSH AGLITE 14in
7	56505807	1	BRUSH MIDGRIT 240 14in
8	56505808	1	BRUSH MIDLITE 180 14in
9	56505802	1	BRUSH DYNA GRIT 14in
10	56505801	1	BRUSH MAGNAGRIT 14in
20	56505780	1	BRUSH PADHOLDER 43CM
21	56505195	1	PAD RETAINER DEVICE SNAP LOCK FOR 56505800
22	56505785	1	BRUSH PROLITE 43CM LIGHT DUTY
23	56505784	1	BRUSH PROLENE 43CM MEDIUM HEAVY DUTY
24	56505786	1	BRUSH UNION MIX 43CM
25	56505783	1	BRUSH AGLITE GRIT 500 SOFT 43CM
26	56505787	1	BRUSH MIDGRIT 240 43CM MEDIUM DUTY
27	56505788	1	BRUSH MIDLITE GRIT 180 43CM MEDIUM DUTY
28	56505782	1	BRUSH DYNA GRIT 80 43CM HEAVY DUTY
29	56505781	1	BRUSH MAGNA GRIT 46 43CM EXTREME HEAVY DUTY

Pos. 1-10: BA 756 BRUSHES

Pos. 20-29 BA 856 BRUSHES

# Brush Selector Guide - Cylindrical

SC 800

08-01-2014

Part List ID SC80026

35

We provide brushes and pad holders that will give you the best possible performance between machine and floor. Following are descriptions of the materials and their applications.

- Soft Nylon:** Least aggressive brush available. Used on soft-nish floors where a more aggressive brush would leave scratch marks, or in applications requiring very light cleaning.
- Stiff Nylon:** Cleaning action similar to polypropylene. More durable and wear-resistant than polypropylene.
- Prolene:** Low cost, yet effective in cleaning many common floor surfaces.
- MidLite Grit 180:** Least aggressive grit brush. Used for daily cleaning of hard-nished floors.
- Dyna Grit 80:** Medium aggressive grit brush. Good all-around brush for medium to heavy buildup removal. Can also be used for general stripping operations.
- Magna Grit 46:** Most aggressive grit brush. Used primarily to clean heavy buildup on concrete floors in factories, or for heavy stripping of finish.

## BA 756 BRUSHES

- 56412191 - Soft Nylon
- 56412192 - Hard Nylon
- 56412046 - Prolene
- 56412193 - MidLite Grit 180
- 56412194 - Dyna Grit 80
- 56412195 - Magna Grit 46

## CYLINDRICAL BRUSH APPLICATION GUIDE (SUGGESTION ONLY)

Application	46 Grit	80 Grit	180 Grit	Polypropylene	Stiff Nylon	Soft Nylon
<b>Stripping:</b>						
Concrete	X	X				
Terrazzo	X	X				
Ceramic/Quarry tile		X				
Vinyl tile		X				
<b>General Scrubbing:</b>						
Concrete	X	X	X	X	X	
Terrazzo			X	X	X	X
Ceramic/Quarry tile			X	X	X	X
Marble			X		X	X
Vinyl tile			X	X	X	X
Raised-rubber tile			X			X

# Brush Selector Guide - Cylindrical

SC 800

08-01-2014

Part List ID  
SC80026

36

Pos	Part no.	Qty	Description
1	56412191	1	CYLINDRICAL BRUSH 680MM 28in SOFT NYLON
2	56412192	1	CYLINDRICAL BRUSH 680MM 28in HARD NYLON
3	56412046	1	CYLINDRICAL BRUSH 680MM 28in POLYPROPYLENE
4	56412193	1	CYLINDRICAL BRUSH 680MM 28in 180 GRIT
5	56412194	1	CYLINDRICAL BRUSH 680MM 28in 80 GRIT
6	56412195	1	CYLINCRICAL BRUSH 680MM 28in 46 GRIT

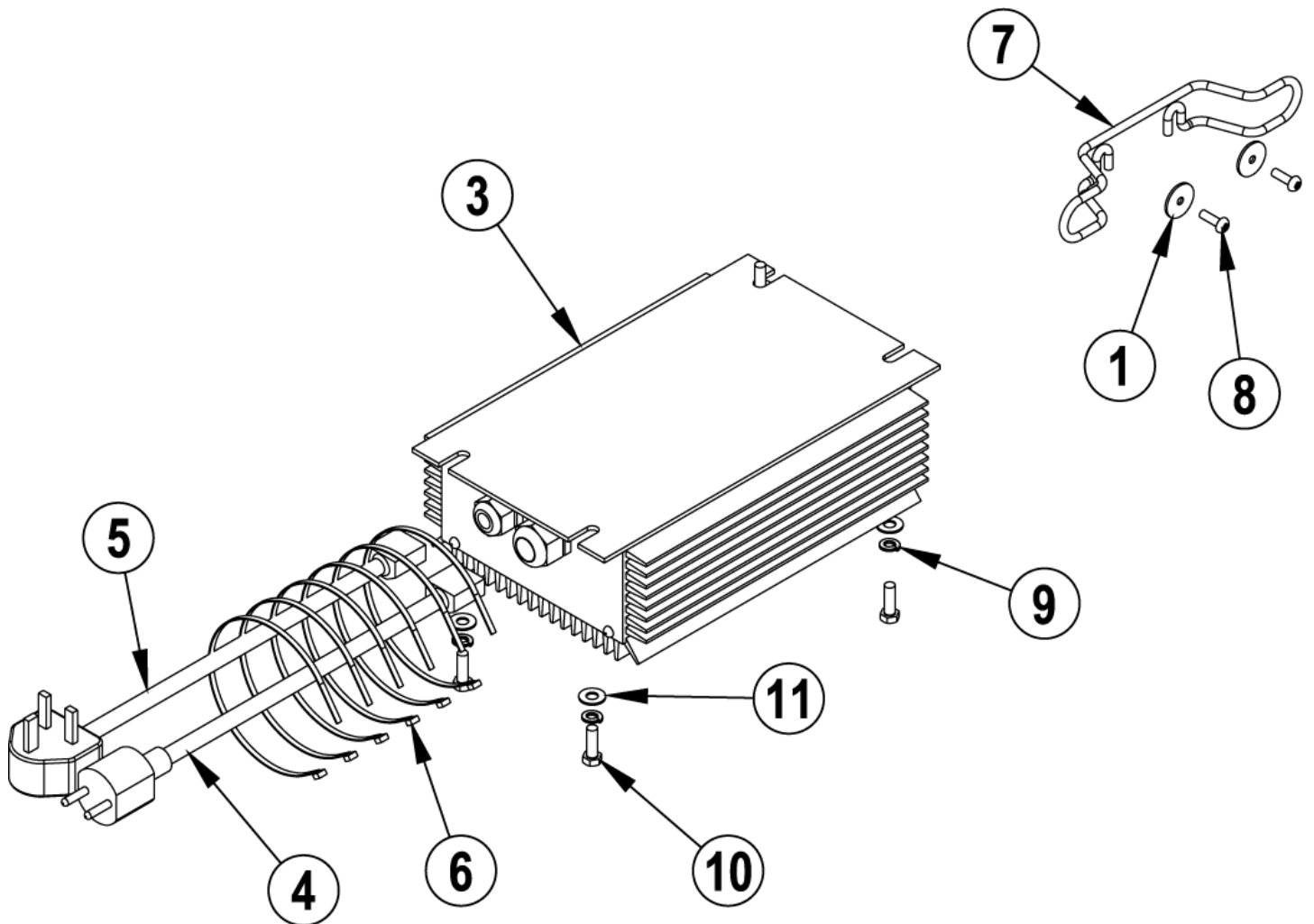
# 56112245 - Onboard Charger Kit-EU

SC 800

08-01-2014

Part List ID  
IS56090019

37



# 56112245 - Onboard Charger Kit-EU

SC 800

08-01-2014

Part List ID  
IS56090019

38

Pos	Part no.	Qty	Description	
0	56112245	1	KIT ON BOARD CHARGER	TSB US 2011-0002 Charger Interlock Wiring Update S
1	56009096	2	Washer flat .193x.875x.06	
3	56114378	1	BATTERY CHARGER 24V 25A	TSB US 2011-0002 Charger Interlock Wiring Update S
4	56383388	1	CORD-CHARGER EUROPE	(56112245)
5	56383389	1	CORD-CHARGER UK	(56112245)
6	56478523	8	CABLE TIE ____E00549	
7	909 5149 000	1	CABLE SUPPORT	
8	964004	2	SCR M 5.0X0.8 X 16 PN*ST	
9	980657	4	WASHER.LK 1/4 STD	
10	57994A	4	SCREW M6 X 20 HEX HD	
11	87026A	4	WASHER. .250. FLAT. SS	

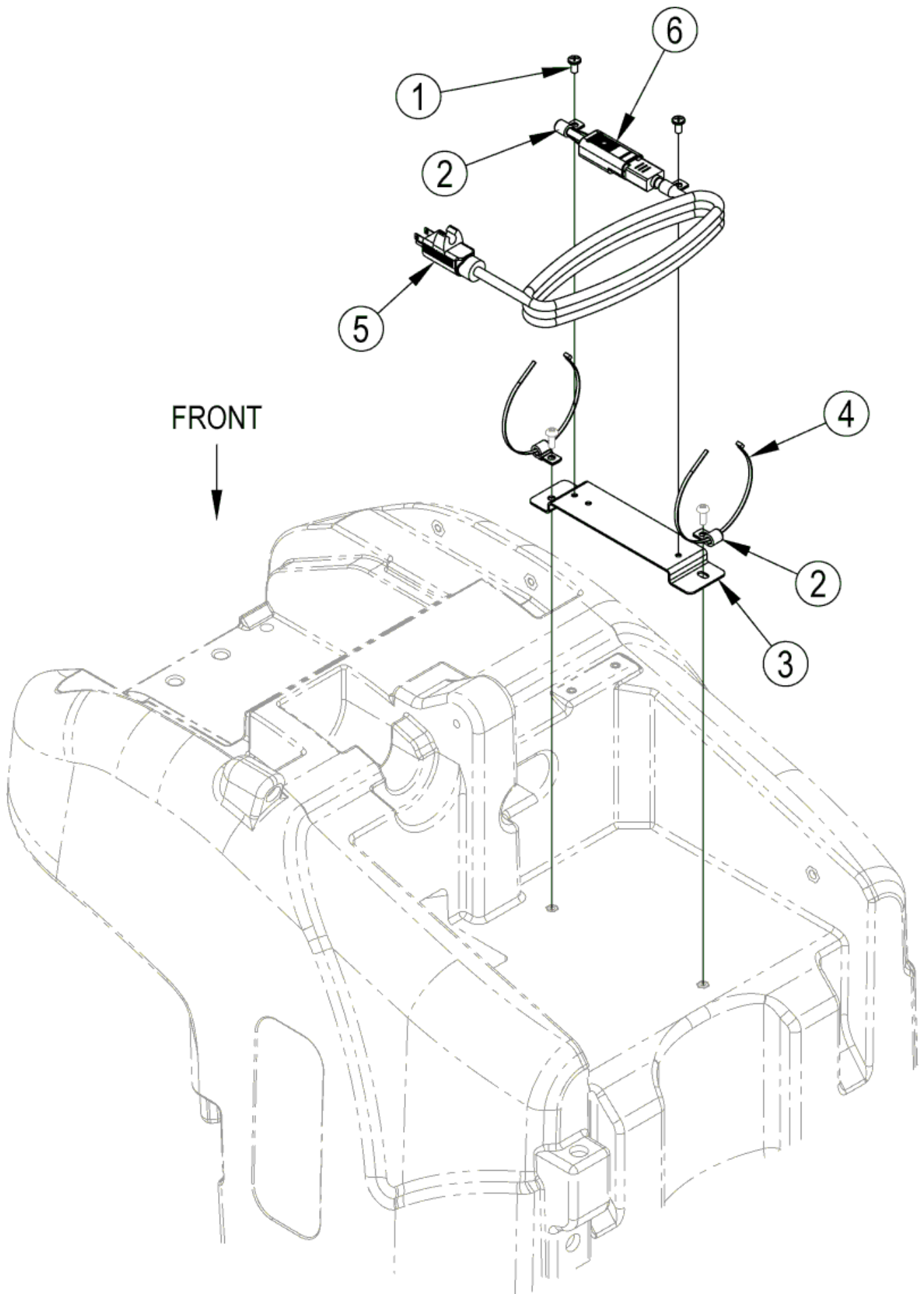
# Power cord bracket

SC 800

08-01-2014

Part List ID  
SC80030

39



# Power cord bracket

SC 800

08-01-2014

Part List ID  
SC80030

40

Pos	Part no.	Qty	Description
1	56009062	2	SCR PHIL THD1/4-20X-20X.5
2	56323260	4	CLAMP CABLE
4	56478523	2	CABLE TIE____E00549
5	56383388	1	CORD-CHARGER EUROPE
5	56383389	1	CORD-CHARGER UK
6	56383391	1	PLUG IEC 60320 SHEET E



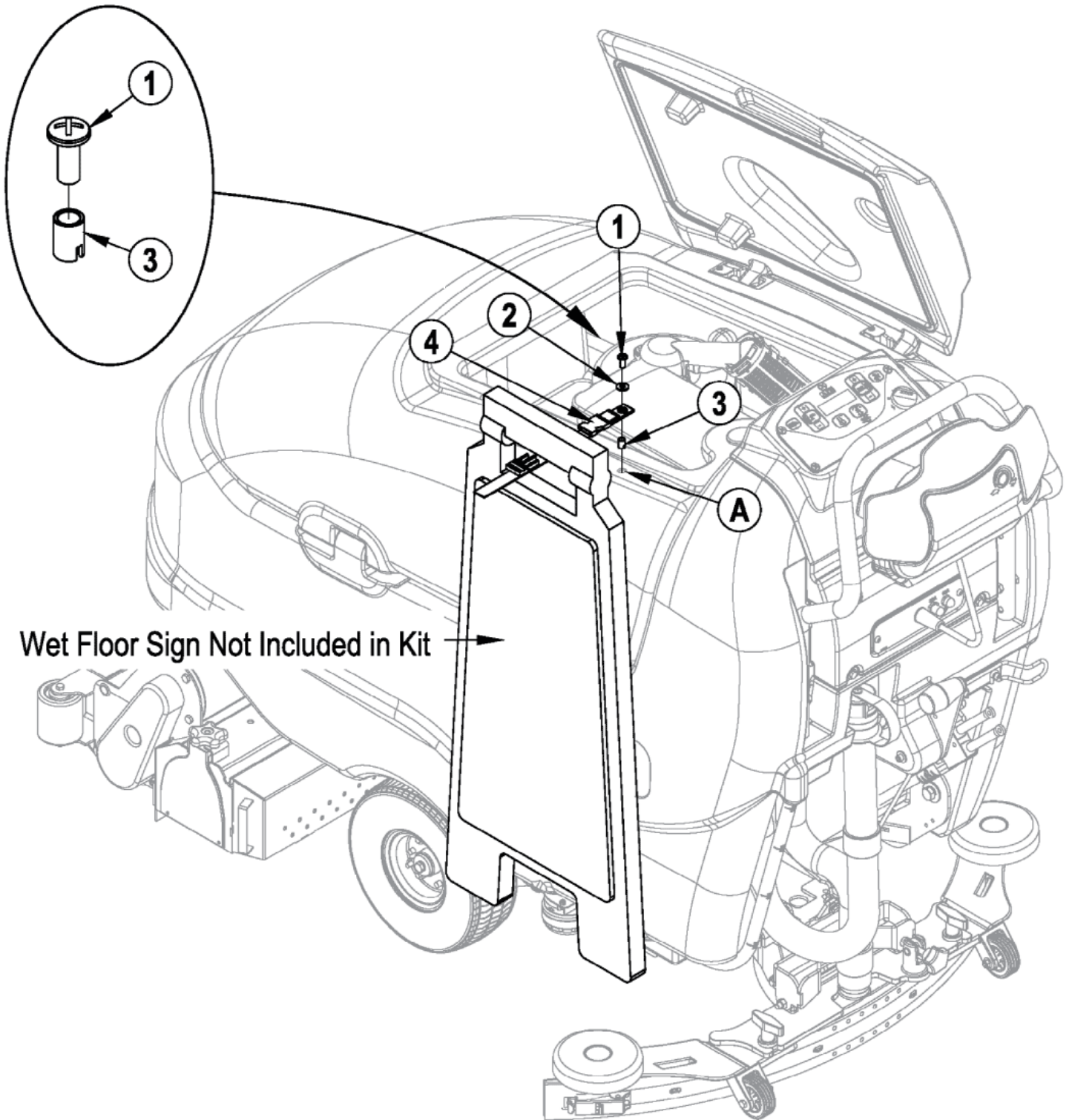
# 56112140 - Wet Floor Sign Holder Kit

SC 800

08-01-2014

Part List ID  
IS56090021

41



# 56112140 - Wet Floor Sign Holder Kit

SC 800

08-01-2014

Part List ID  
IS56090021

42

Pos	Part no.	Qty	Description
0	56112140	1	KIT WET FLOOR HOLDER
1	56002066	1	1/4-20 X 5/8 SCREW
2	56002098	1	Washer flat Sae 1/4
3	56009034	1	SCR PAN PHIL THR FORM
4	56112149	1	POLYPROPYLENE STRAP

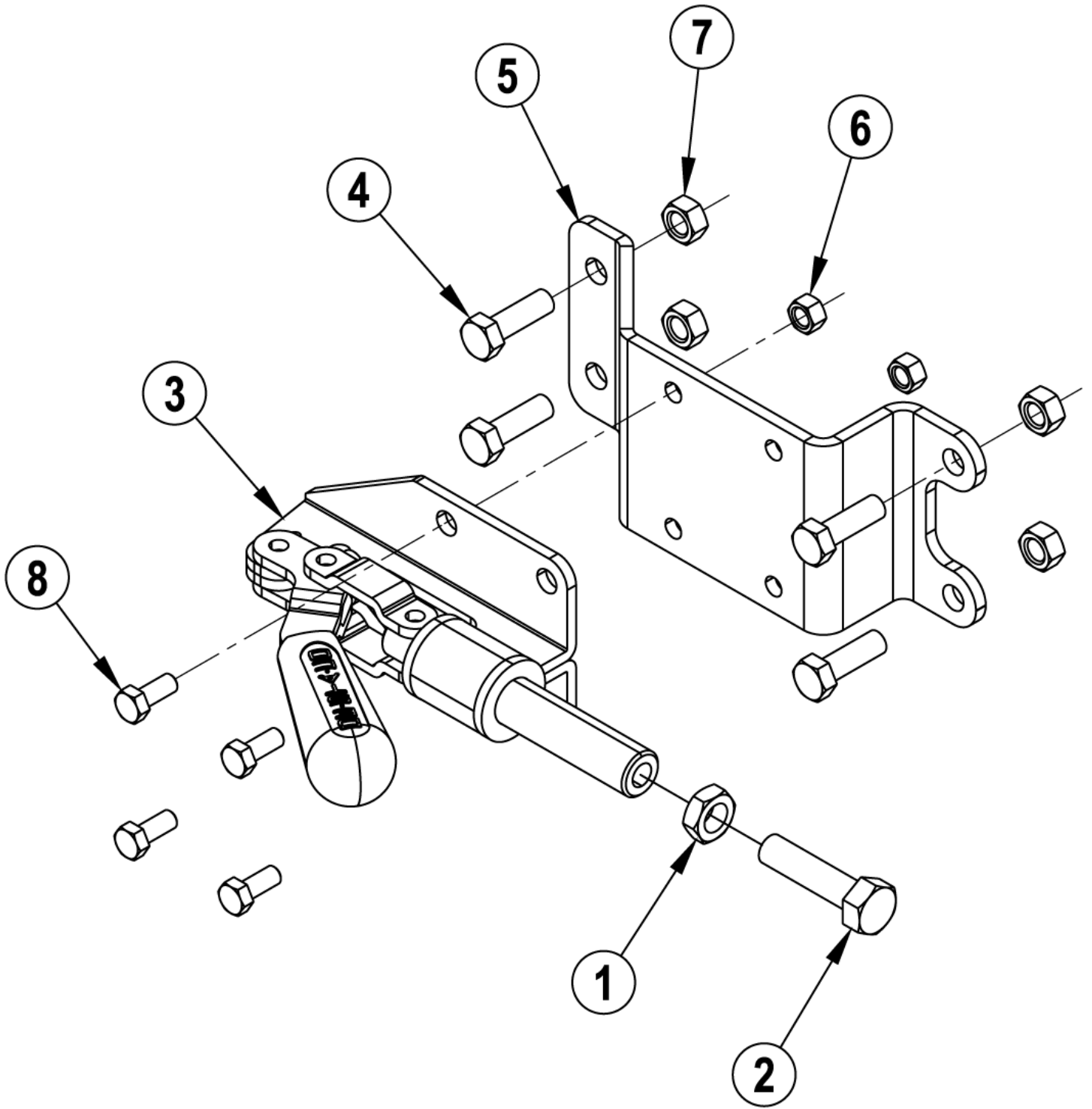
# 56112221 - Parking Brake Kit

SC 800

08-01-2014

Part List ID  
IS56090024

43



# 56112221 - Parking Brake Kit

SC 800

08-01-2014

Part List ID  
IS56090024

44

Pos	Part no.	Qty	Description
0	56112221	1	KIT PARKING BRAKE
1	920160	1	NUT-5/16-18 HEX JAM
2	962157	1	SCR 5/16-18X1&1/4 HX ST
3	54772A	1	CLAMP TOGGLE STRAIGHT LINE
4	57994A	4	SCREW M6 X 20 HEX HD
5	61934A	1	BRACKET BRAKE
6	80196A	4	NUT, M5-0.8 HEX NYLON INS
7	80199A	4	NUT, M6-1 HEX NYLON LOCK
8	80249A	4	SCREWM5-.8X12MM HEX HEAD S.S.

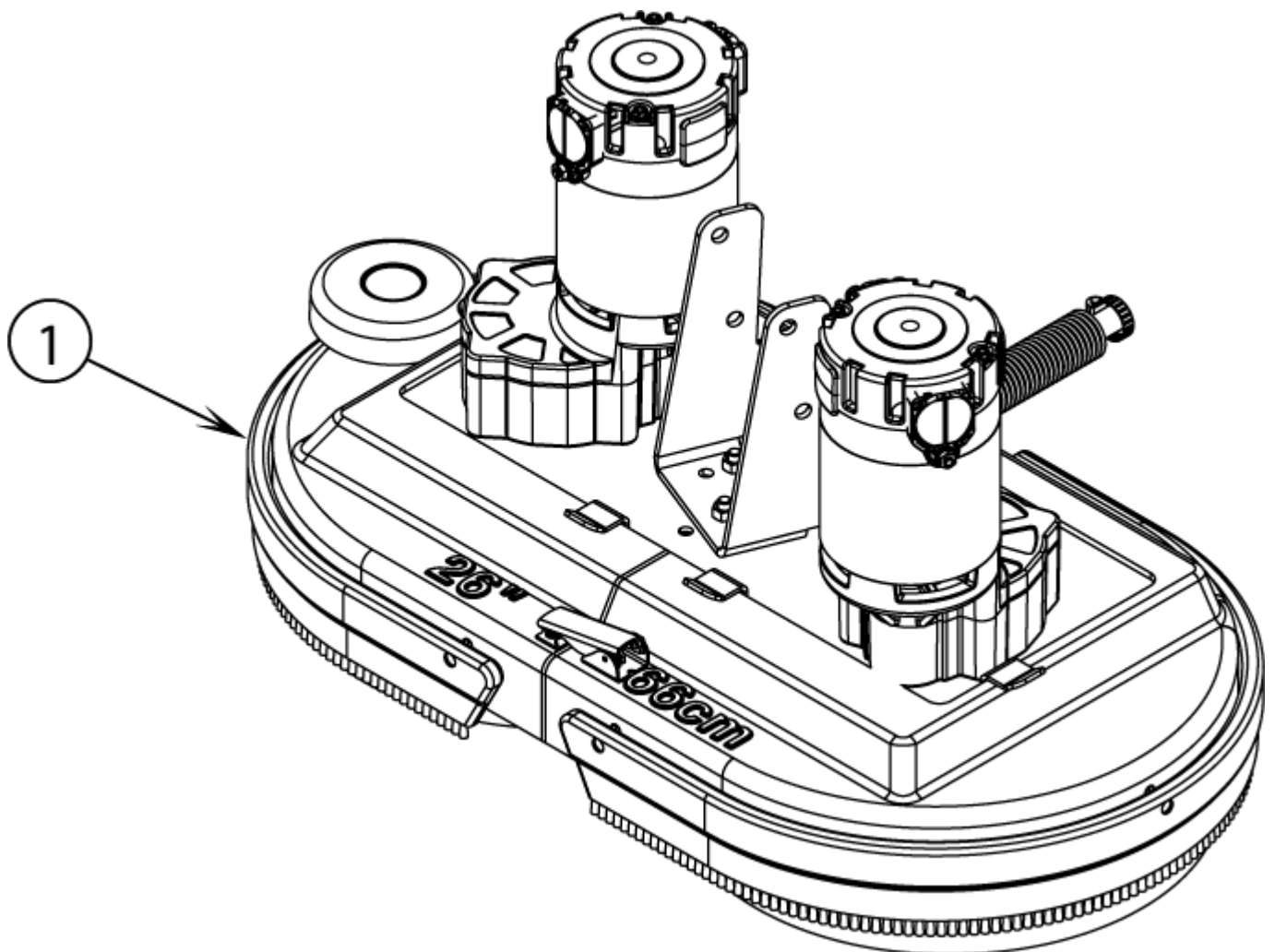
# 56112265 - Kit, 26" Disc Deck 24V

SC 800

08-01-2014

Part List ID  
IS56090026P1

45



# 56112265 - Kit, 26" Disc Deck 24V

SC 800

08-01-2014

Part List ID  
IS56090026P1

46

Pos	Part no.	Qty	Description
1		1	NOTE COMMENT SCRUB SYSTEM 26" DISC
10	56505760	1	PADHOLDER BRUSH TYPE
11	56505195	1	PAD RETAINER DEVICE SNAP LOCK
12	56505765	1	BRUSH PROLITE 330MM
13	56505764	1	BRUSH PROLENE 330MM
14	56505766	1	BRUSH UNION MIX 330MM
15	56505763	1	BRUSH AGLITE GRIT 330MM
16	56505767	1	BRUSH MIDGRIT 240 330MM
17	56505768	1	BRUSH MIDLITE 180 330MM
18	56505762	1	BRUSH DYNA GRIT 330MM
19	56505761	1	BRUSH MAGNA GRIT 330MM
50	56112247	1	BLADE KIT-SQUEEGEE GUM.
52	56112332	1	BLADE KIT SQUEEGEE PU
53	56112330	1	BLADE KIT SQUEEGEE GUM
54	56112331	1	BLADE KIT SQUEEGEE RED GUM
55	56112332	1	BLADE KIT SQUEEGEE PU

Pos. 1-19: Compatible 26" Brushes

Pos. 30: Available 26" Disc Deck Skirt

Pos. 40: Compatible Squeegee

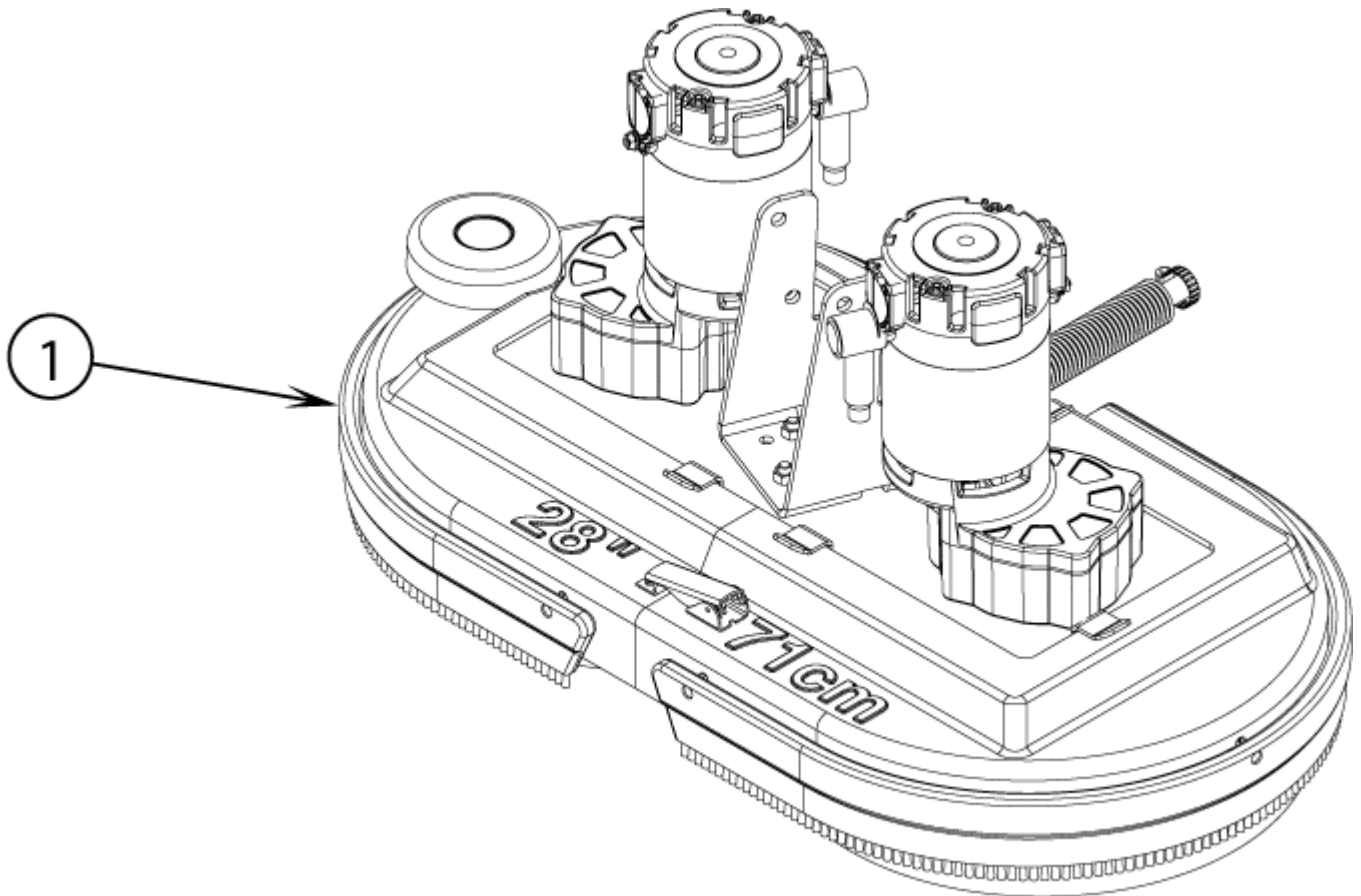
# 56112266 - Kit, 28" Disc Deck 24V

SC 800

08-01-2014

Part List ID  
IS56090026P2

47



# 56112266 - Kit, 28" Disc Deck 24V

SC 800

08-01-2014

Part List ID  
IS56090026P2

48

Pos	Part no.	Qty	Description
1		1	NOTE COMMENT SCRUBSYSTEM28"DISC
10	56505800	1	BRUSH PADHOLDER 14in
11	56505195	1	PAD RETAINER DEVICE SNAP LOCK
12	56505805	1	BRUSH PROLITE 14in
13	56505804	1	BRUSH PROLENE 14in
14	56505806	1	BRUSH UNION MIX 14in
15	56505803	1	BRUSH AGLITE 14in
16	56505807	1	BRUSH MIDGRIT 240 14in
17	56505808	1	BRUSH MIDLITE 180 14in
18	56505802	1	BRUSH DYNA GRIT 14in
19	56505801	1	BRUSH MAGNAGRIT 14in
30	56112225	1	BRISTLE SKIRT-28D
50	56112247	1	BLADE KIT-SQUEEGEE GUM.
52	56112332	1	BLADE KIT SQUEEGEE PU
53	56112330	1	BLADE KIT SQUEEGEE GUM
54	56112331	1	BLADE KIT SQUEEGEE RED GUM
55	56112332	1	BLADE KIT SQUEEGEE PU

Pos. 1-19: Compatible 28" Brushes

Pos. 30: Available 28" Disc Deck Skirt

Pos. 40: Compatible Squeegee



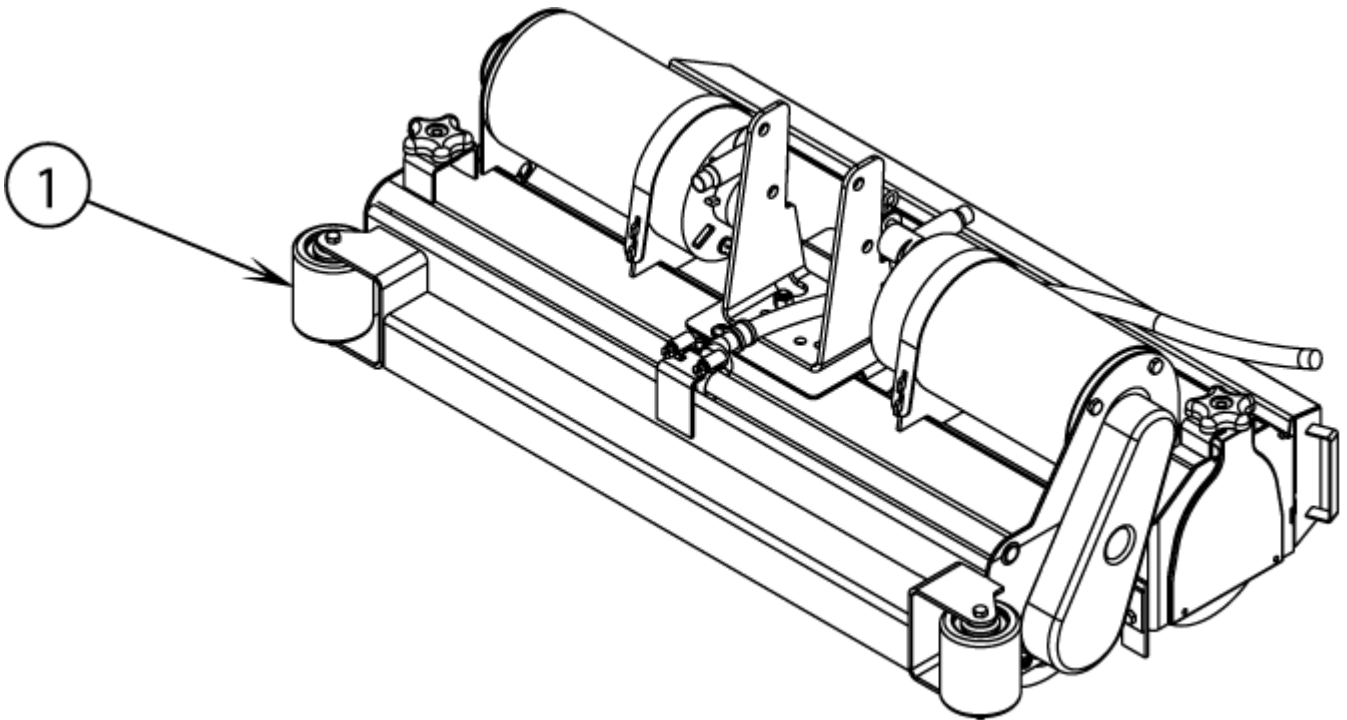
# 56112267 - Kit, 28" Cylindrical Deck 24V

SC 800

08-01-2014

Part List ID  
IS56090026P3

49



# 56112267 - Kit, 28" Cylindrical Deck 24V

SC 800

08-01-2014

Part List ID  
IS56090026P3

50

Pos	Part no.	Qty	Description
1		1	NOTE COMMENT SCRUB SYSTEM 28" CYLINDRICAL
10	56412191	1	CYLINDRICAL BRUSH 680MM 28in SOFT NYLON
11	56412192	1	CYLINDRICAL BRUSH 680MM 28in HARD NYLON
12	56412046	1	CYLINDRICAL BRUSH 680MM 28in POLYPROPYLENE
13	56412193	1	CYLINDRICAL BRUSH 680MM 28in 180 GRIT
14	56412194	1	CYLINDRICAL BRUSH 680MM 28in 80 GRIT
15	56412195	1	CYLINCRICAL BRUSH 680MM 28in 46 GRIT
30	56315321	1	BELT, AUTO TENSION
40	56407391	1	BLADE
60	56112247	1	BLADE KIT-SQUEEGEE GUM.
62	56112332	1	BLADE KIT SQUEEGEE PU
63	56112330	1	BLADE KIT SQUEEGEE GUM
64	56112331	1	BLADE KIT SQUEEGEE RED GUM
65	56112332	1	BLADE KIT SQUEEGEE PU

Pos. 10-15: Compatible 28" Brushes

Pos. 30: Available Belt

Pos. 40: Available Blade

Pos. 50: Compatible Squeegee

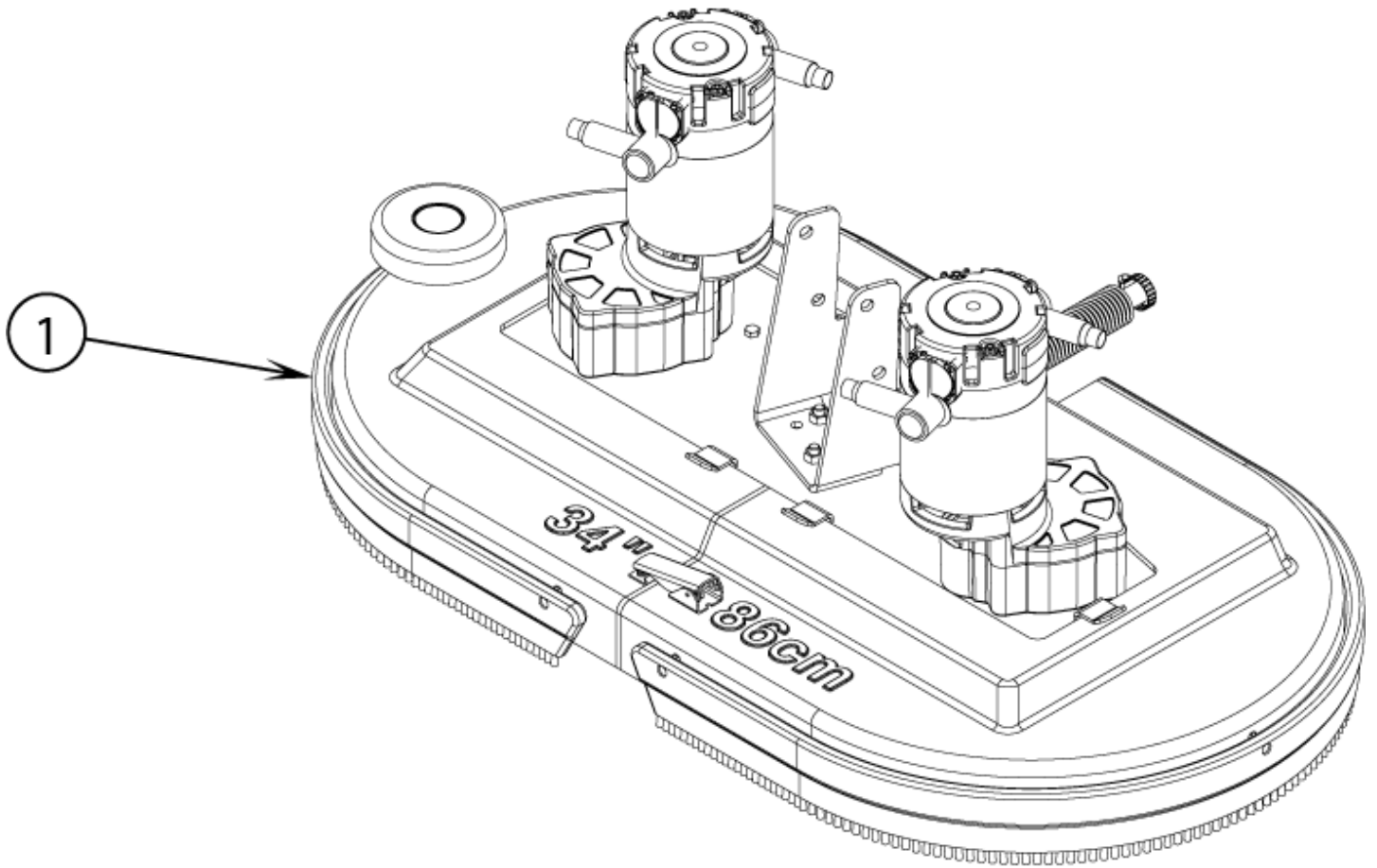
# 56112279 - Kit, 34" Disc Deck 24V

SC 800

08-01-2014

Part List ID  
IS56090026P4

51



# 56112279 - Kit, 34" Disc Deck 24V

SC 800

08-01-2014

Part List ID  
IS56090026P4

52

Pos	Part no.	Qty	Description
1		1	NOTE COMMENT SCRUB SYSTEM 34" DISC
10	56505780	1	BRUSH PADHOLDER 43CM
11	56505195	1	PAD RETAINER DEVICE SNAP LOCK
12	56505785	1	BRUSH PROLITE 43CM LIGHT DUTY
13	56505784	1	BRUSH PROLENE 43CM MEDIUM HEAVY DUTY
14	56505786	1	BRUSH UNION MIX 43CM
15	56505783	1	BRUSH AGLITE GRIT 500 SOFT 43CM
16	56505787	1	BRUSH MIDGRIT 240 43CM MEDIUM DUTY
17	56505788	1	BRUSH MIDLITE GRIT 180 43CM MEDIUM DUTY
18	56505782	1	BRUSH DYNA GRIT 80 43CM HEAVY DUTY
19	56505781	1	BRUSH MAGNA GRIT 46 43CM EXTREME HEAVY DUTY
30	56112227	1	BRISTLE SKIRT-34D
50	56112250	1	BLADE-KIT SQUEEGEE GUM
51	56112334	1	BLADE KIT SQUEEGEE RED GUM
52	56112252	1	BLADE KIT-SQUEEGEE PU
53	56112333	1	BLADE KIT SQUEEGEE GUM
54	56112334	1	BLADE KIT SQUEEGEE RED GUM
55	56112335	1	BLADE KIT SQUEEGEE PU

Pos. 10-19: Compatible 34" Brushes

Pos. 30: Available 34" Disc Deck Skirt

Pos. 40: Compatible Squeegee

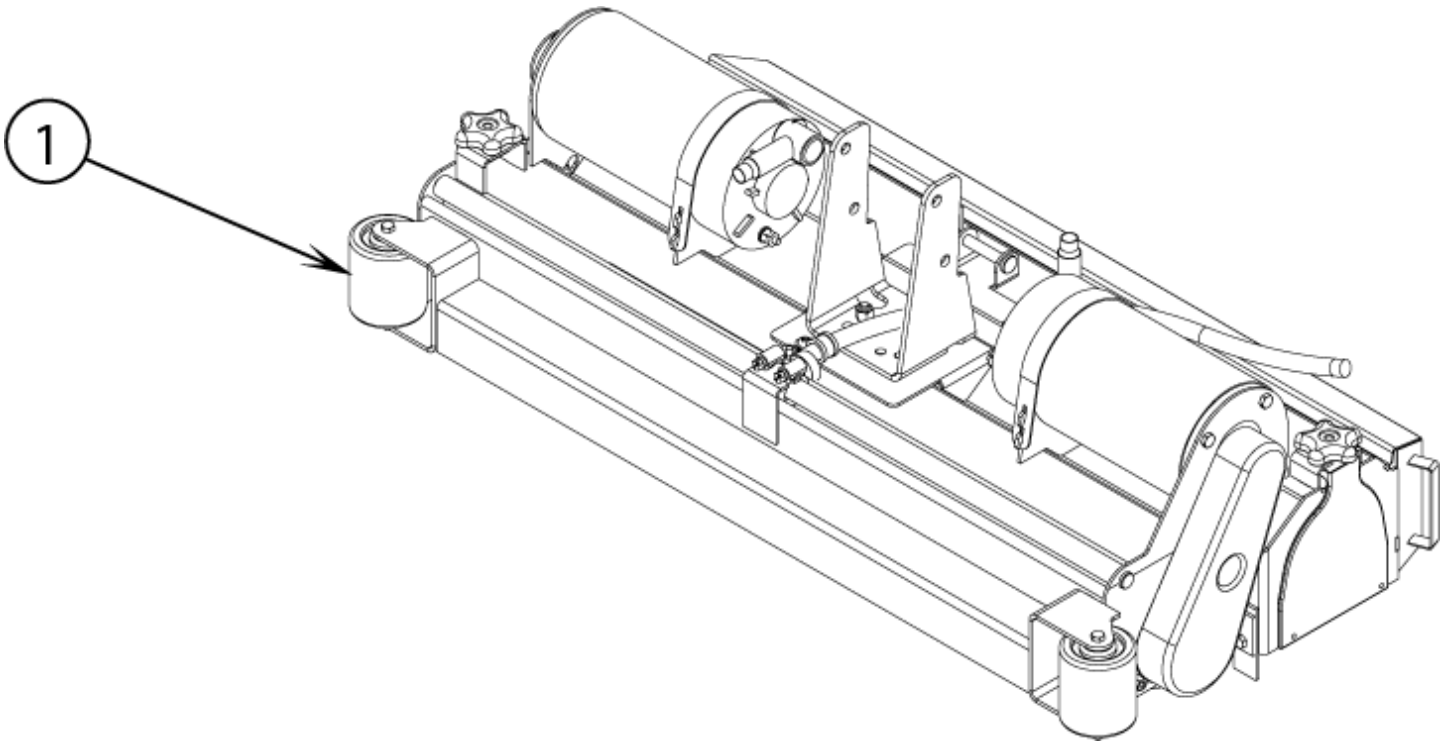
# 56112280 - Kit, 32" Cylindrical Deck 24V

SC 800

08-01-2014

Part List ID  
IS56090026P5

53



# 56112280 - Kit, 32" Cylindrical Deck 24V

SC 800

08-01-2014

Part List ID  
IS56090026P5

54

Pos	Part no.	Qty	Description
1		1	NOTE COMMENT SCRUBSYSTEM32"CYLINDRICAL
10	56407473	1	CYLINDRICAL BRUSH 790MM 31in NYLON SOFT BR 800C
11	56407474	1	CYLINDRICAL BRUSH 790MM 31in NYLON HARD BR 800C
13	56407476	1	CYLINDRICAL BRUSH 790MM 31in MIDLITE 180 BR 800C
14	56407477	1	CYLINDRICAL BRUSH 790MM 31in DYNA GRIT BR 800C
15	56407478	1	CYLINDRICAL BRUSH 790MM 31in MAGNA GRIT 46 BR 800
30	56315321	1	BELT, AUTO TENSION
40	56407391	1	BLADE
60	56112250	1	BLADE-KIT SQUEEGEE GUM
61	56112334	1	BLADE KIT SQUEEGEE RED GUM
62	56112252	1	BLADE KIT-SQUEEGEE PU
63	56112333	1	BLADE KIT SQUEEGEE GUM
64	56112334	1	BLADE KIT SQUEEGEE RED GUM
65	56112335	1	BLADE KIT SQUEEGEE PU

Pos. 10-15: Compatible 32" Brushes

Pos. 30: Available Belt

Pos. 40: Available Blade

Pos. 50: Compatible Squeegee

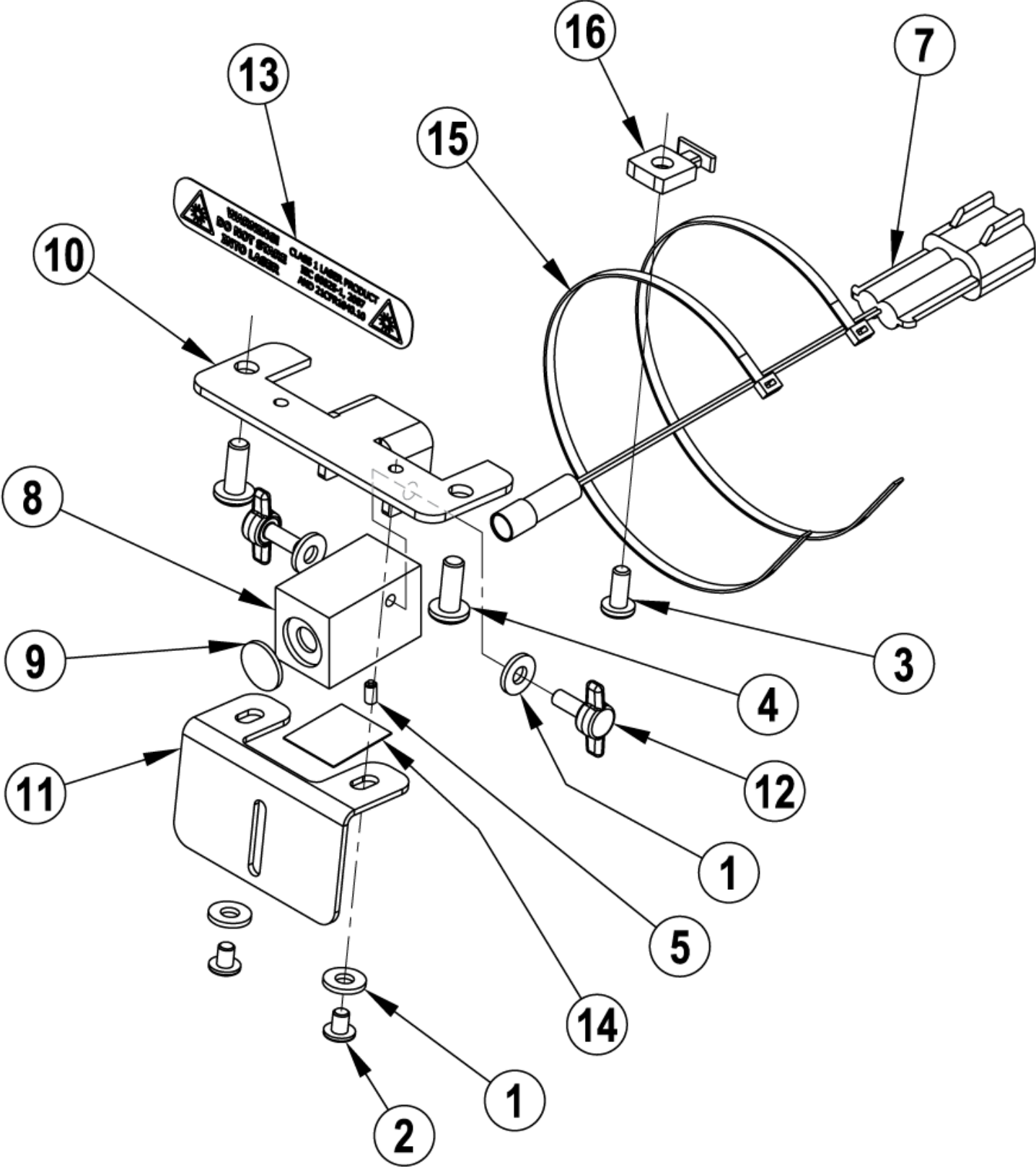
# 56112138 - Laser Kit

SC 800

08-01-2014

Part List ID  
IS56090027

55



# 56112138 - Laser Kit

SC 800

08-01-2014

Part List ID  
1S56090027

56

Pos	Part no.	Qty	Description
0	56112138	1	KIT LASER
1	56001954	4	Washer flat Sae 10
2	56002453	2	SCR PAN HD PHIL 10-24 X .
3	56003377	1	Screw
4	56003627	2	SCR, PAN PHIL M6-1.00 X 1
5	56003811	1	SCR-SOC SET SS NYL TIP 6-32X
7	56112136	1	LASER
8	56112137	1	LASER HOUSING
9	56112142	1	CLEAR LENS
10	56112143	1	LASER SUPPORT BRKT
11	56112146	1	LASER SHIELD
12	56112264	2	T-KNOB ASSEMBLY
13	56112298	1	DECAL-LASER WARNING
14	56112301	1	DECAL-LASER WARNING
15	56478523	2	CABLE TIE____E00549
16	52548A	1	TAB 1/4 SCREW ENCORE 17



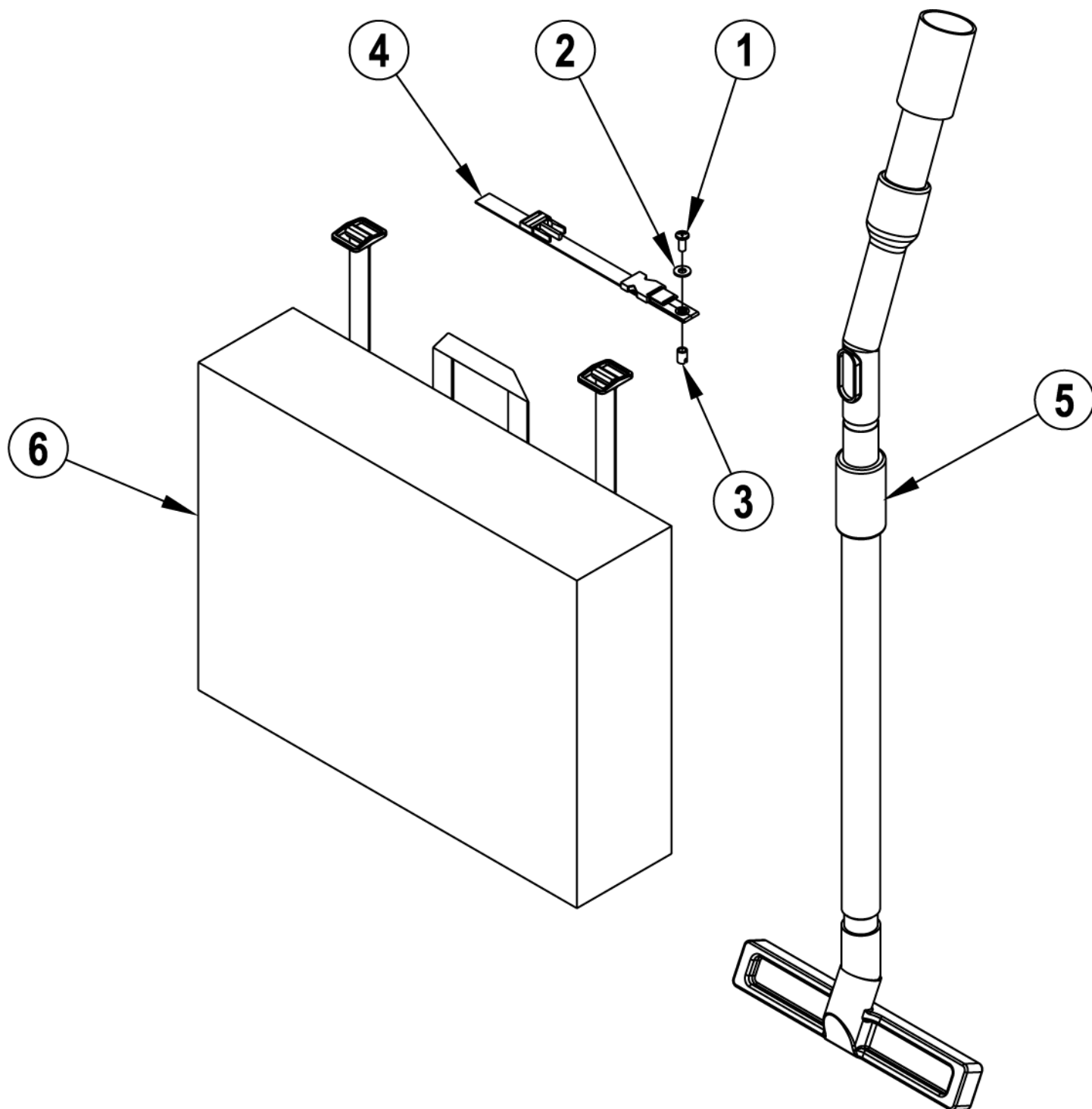
# 56112141 - Vacuum Wand with Tote Bag Ki

SC 800

08-01-2014

Part List ID  
IS56090028

57



# 56112141 - Vacuum Wand with Tote Bag Kit

SC 800

08-01-2014

Part List ID  
1S56090028

58

Pos	Part no.	Qty	Description
0	56112141	1	KIT VAC WAND WITH TOTE BAG
1	56002066	1	1/4-20 X 5/8 SCREW
2	56002098	1	Washer flat Sae 1/4
3	56009304	1	INSERT SELF TAPPING 1/4 20
4	56112149	1	POLYPROPYLENE STRAP
5	56315309	1	SCRUB/VAC WAND HOSE
6	56315316	1	TOTE BAG

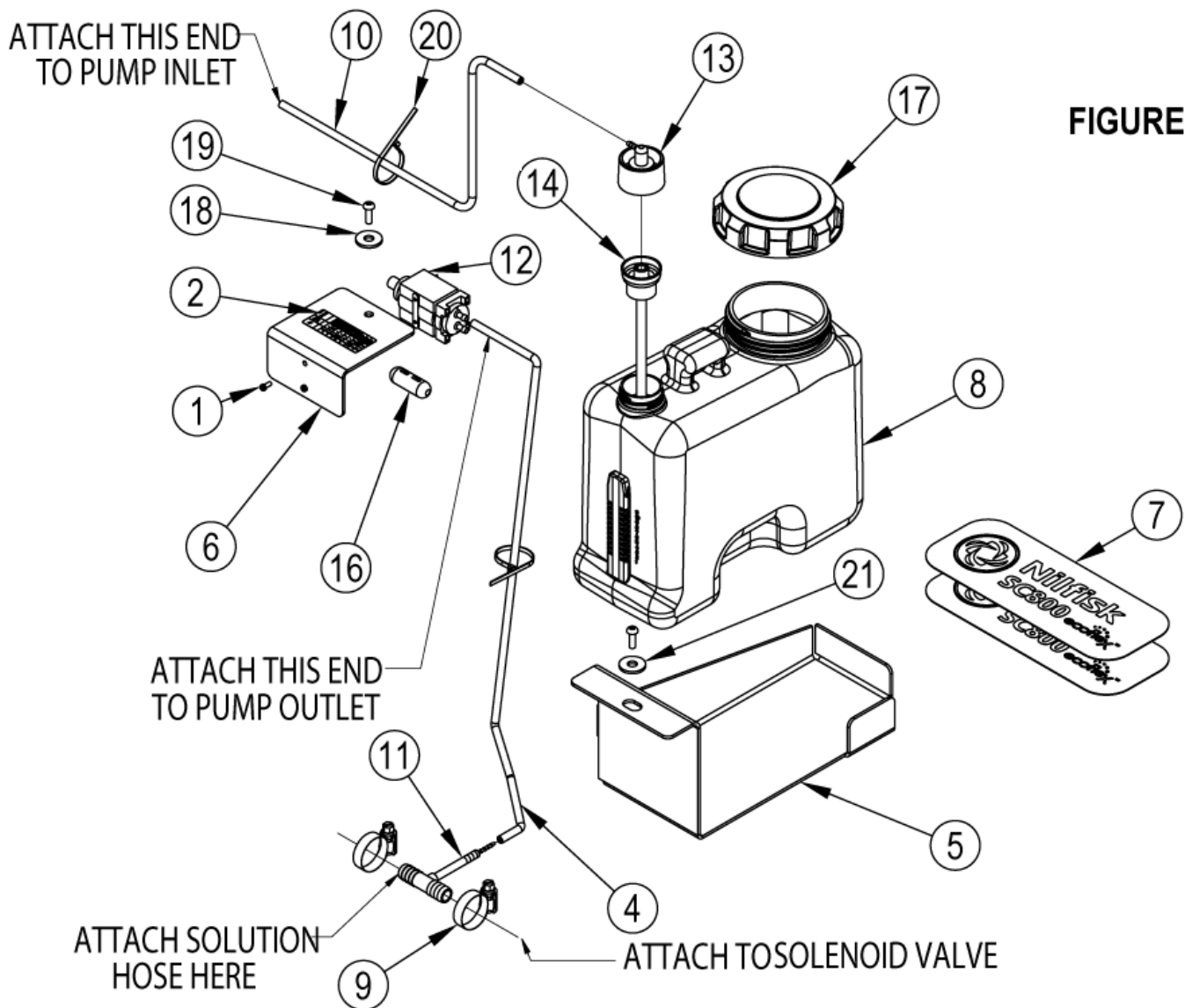
# 56112244 - Chemical Injection Kit

SC 800

08-01-2014

Part List ID  
IS56090029

59



# 56112244 - Chemical Injection Kit

SC 800

08-01-2014

Part List ID  
1S56090029

60

Pos	Part no.	Qty	Description
0	56112244	1	KIT CHEMICAL INJECTION EU
1	56002539	2	SCR PAN PHIL TD FORM 6-32 X.31
2	56016331	1	DECAL CHEMICAL RATIO
4	56413692	1	HOSE CHEMICAL RESISTANT 21.00
5	56112125	1	BRACKET-BOTTLE SUPPORT
6	56112126	1	BRACKET-PUMP MOUNT
7	56112532	2	DECAL-NILFISK SC800 ECO FLEX
8	56601544	2	CHEMICAL BOTTLE ASSEMBLY
9	722030	1	CLAMP.HOSE #6
10	56306169	1	HOSE CHEM RESISTANT 17.00
11	56314983	1	TEE ASSEMBLY
12	56315241	1	PUMP CHEMICAL
13	56315523	1	CAP, DRY BREAK, 1/8 BARB
14	56315527	1	INSERT BREAK
16	56601514	1	FERRITE BEAD
17	56315517	1	CAP
18	56002098	1	Washer flat Sae 1/4
19	56003627	1	SCR, PAN PHIL M6-1.00 X 1
20	56325219	2	CABLE TIE E00549 HC360C
21	56009060	1	Washer

# 56112351/56112352 - Control Panel Kits

SC 800

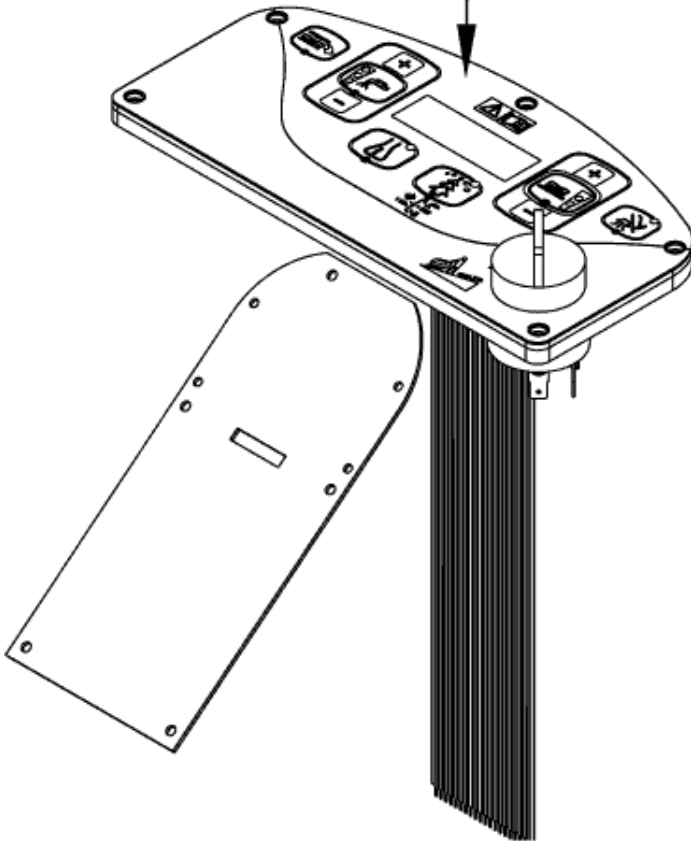
08-01-2014

Part List ID  
IS56090067

61

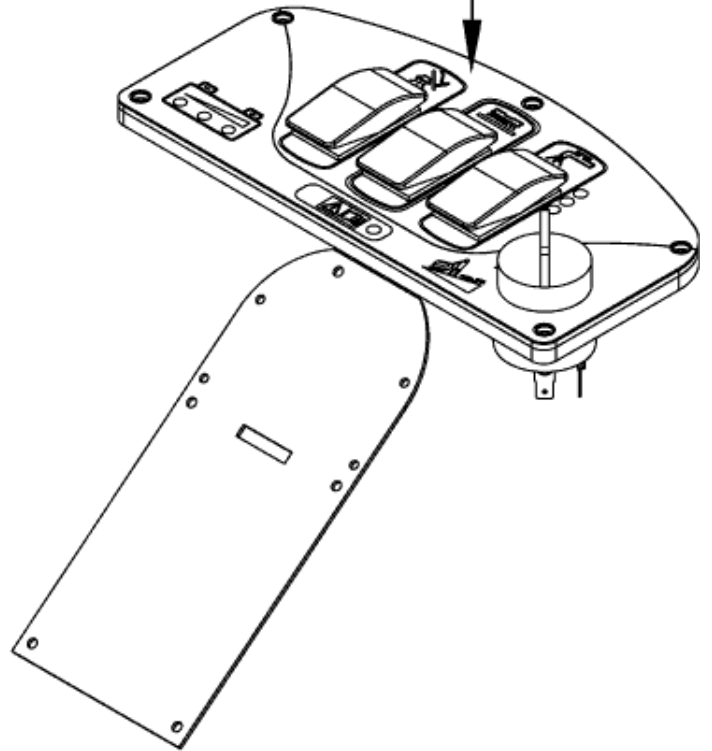
56112738

1



56112120

1



# 56112351/56112352 - Control Panel Kits

SC 800

08-01-2014

Part List ID  
1S56090067

62

Pos	Part no.	Qty	Description	
0	56112351	1	KIT AXP CONTROL	
0	56112352	1	KIT-ST CONTROL BOARD	
1	56112738	1	INTERFACE PANEL ASSY-AXP	56112351

# 56383384 - POWER CORD BRACKET KIT

SC 800

08-01-2014

Part List ID  
IS56090165

63

No Drawing For Part List

# 56383384 - POWER CORD BRACKET KIT

SC 800

08-01-2014

Part List ID  
IS56090165

64

Pos	Part no.	Qty	Description
1	56009062	2	SCR PHIL THD1/4-20X-20X.5
2	56323260	4	CLAMP CABLE
3	56383383	1	POWER CORD BRACKET
4	56478523	2	CABLE TIE____E00549



# RECOMMENDED SPARE PARTS

SC 800

08-01-2014

Part List ID  
SC80027

65

No Drawing For Part List

# RECOMMENDED SPARE PARTS

SC 800

08-01-2014

Part List ID SC800Z7

66

Pos	Part no.	Qty	Description	
1	40628A	4	BRUSH CARBON MOTOR	WEAR PARTS
3	56112242	2	CARBON BRUSH KIT	WEAR PARTS
4	56412257	1	BRUSH CAP ASSY (1 PER MOTOR)	WEAR PARTS
5	56407391	2	BLADE	WEAR PARTS
6	56112330	1	BLADE KIT SQUEEGEE GUM	WEAR PARTS NOTE 1
7	56112331	1	BLADE KIT SQUEEGEE RED GUM	WEAR PARTS NOTE 1
8	56112332	1	BLADE KIT SQUEEGEE PU	WEAR PARTS NOTE 1
9	56112333	1	BLADE KIT SQUEEGEE GUM	WEAR PARTS NOTE 1
10	56112334	1	BLADE KIT SQUEEGEE RED GUM	WEAR PARTS NOTE 1
11	56112335	1	BLADE KIT SQUEEGEE PU	WEAR PARTS NOTE 1
12	56112308	1	CASTER SWIVEL 4.00x2.00	ORDINARY MAINTENANCE
13	56112109	2	TIRE	EXTRAORDINARY MAINTENANCE
14	56112147	1	SOLENOID VALVE ASSY	EXTRAORDINARY MAINTENANCE
15	56112543	1	TRANSAXLE	EXTRAORDINARY MAINTENANCE
16	56380158	2	FLANGE KIT	EXTRAORDINARY MAINTENANCE
17	56382670	1	KIT TRANSAXLE MOTOR	EXTRAORDINARY MAINTENANCE
18	40280A	1	ACTUATOR BOOST 32	EXTRAORDINARY MAINTENANCE
19	9100000362	1	FILTER WATER	TSB-FC-2013-127, EXTRAORDINARY MAINTENANCE
20	909 5215 000	1	NET & GASKET WATER FILTER	EXTRAORDINARY MAINTENANCE
21	9097456000	1	LEVER	EXTRAORDINARY MAINTENANCE
22	54689A	1	GAS SPRING 500N	EXTRAORDINARY MAINTENANCE
23	56396197	1	POTENTIOMETER, 100 K	EXTRAORDINARY MAINTENANCE
24	56397029	1	POTENTIOMETER 5K	EXTRAORDINARY MAINTENANCE
25	56109716	1	PADDLE BACK COVER	EXTRAORDINARY MAINTENANCE
26	56315230	1	PADDLE, FRONT COVER	EXTRAORDINARY MAINTENANCE
27	56315280	1	KNOB	EXTRAORDINARY MAINTENANCE
28	56112351	1	KIT AXP CONTROL	EXTRAORDINARY MAINTENANCE
29	56303553	1	KEY SWITCH ASSEMBLY	EXTRAORDINARY MAINTENANCE
30	56303526	1	KEY, REPLACEMENT SET OF 2	EXTRAORDINARY MAINTENANCE
31	56112253	1	KIT-INTERFACE PANEL	EXTRAORDINARY MAINTENANCE
32	56112187	1	SPEED CONTROLLER 70A 24V	EXTRAORDINARY MAINTENANCE
33	56315256	1	CIRCUIT BREAKER 30AMP	EXTRAORDINARY MAINTENANCE
34	56397088	1	Contactora	EXTRAORDINARY MAINTENANCE
35	56412089	1	FUSE 150 AMP	EXTRAORDINARY MAINTENANCE
36	56507644	1	CIRCUIT BREAKER	EXTRAORDINARY MAINTENANCE
37	41075A	2	RELAY	EXTRAORDINARY MAINTENANCE
38	56112239	1	VAC MOTOR 24VDC	EXTRAORDINARY MAINTENANCE
39	56112316	1	SUCTION HOSE	EXTRAORDINARY MAINTENANCE
40	909 6634 000	1	CABLE STOP-LID	EXTRAORDINARY MAINTENANCE
41	909 6672 000	1	FILTER	EXTRAORDINARY MAINTENANCE
42	56112310	1	DRAIN HOSE RECOVERY	EXTRAORDINARY MAINTENANCE
43	56112303	1	KIT-FLOAT BALL CAGE	EXTRAORDINARY MAINTENANCE
44	56109651	1	BRUSH PLATE ASSY CCW	EXTRAORDINARY MAINTENANCE

NOTE 1: EMC Filter Kit 56112353 is obsolete and replaced by 56112349.

# RECOMMENDED SPARE PARTS

SC 800

08-01-2014

Part List ID SC800Z7

67

Pos	Part no.	Qty	Description	
45	56109652	1	BRUSH PLATE ASSY CW	EXTRAORDINARY MAINTENANCE
46	56112523	1	LINKAGE BRACKET WELDMENT	EXTRAORDINARY MAINTENANCE
47	56112240	2	MOTOR GEARBOX ASSY	EXTRAORDINARY MAINTENANCE
48	56112259	1	BRUSH SKIRT ASSY 28D LEFT	EXTRAORDINARY MAINTENANCE
49	56112261	1	BRUSH SKIRT ASSY-34D LEFT	EXTRAORDINARY MAINTENANCE
50	56112260	1	BRUSH SKIRT ASSY 28D RIGHT	EXTRAORDINARY MAINTENANCE
51	56112262	1	BRUSH SKIRT ASSY-34D RIGH	EXTRAORDINARY MAINTENANCE
52	56112306	1	KIT BRISTLE SKIRT 28	EXTRAORDINARY MAINTENANCE
53	56112307	1	KIT-BRISTLE SKIRT 34	EXTRAORDINARY MAINTENANCE
54	56601450	1	WHEEL 4.00 OD	EXTRAORDINARY MAINTENANCE
55	30412A	1	HOSE. SOLUTION (VISION)	EXTRAORDINARY MAINTENANCE
56	56112521	1	GIMBAL COLLAR ASSEMBLY	EXTRAORDINARY MAINTENANCE
57	56366455	1	Plate Cv24B	EXTRAORDINARY MAINTENANCE
58	56109653	1	SPRING RETAINER	EXTRAORDINARY MAINTENANCE
59	56601056	1	SPRING BRUSH HOLDER	EXTRAORDINARY MAINTENANCE
60	56601118	1	BURSH PLATE	EXTRAORDINARY MAINTENANCE
61	56112111	2	MOTOR-24 VDC 3/4HP	EXTRAORDINARY MAINTENANCE
62	56112523	1	LINKAGE BRACKET WELDMENT	EXTRAORDINARY MAINTENANCE
63	56315321	2	BELT, AUTO TENSION	EXTRAORDINARY MAINTENANCE
64	56315408	2	DRIVE END ASSEMBLY	EXTRAORDINARY MAINTENANCE
65	56315445	2	COVER, BELT	EXTRAORDINARY MAINTENANCE
66	56315448	2	IDLER END ASSEMBLY	EXTRAORDINARY MAINTENANCE
67	56396254	2	KNOB 56407303 REPLACED	EXTRAORDINARY MAINTENANCE
68	56412459	2	WHEEL	EXTRAORDINARY MAINTENANCE
69	30412A	1	HOSE. SOLUTION (VISION)	EXTRAORDINARY MAINTENANCE
70	L08812967	1	CLAMP HOSE D 50 SS	EXTRAORDINARY MAINTENANCE
71	56112145	1	TUBE-PRESSURE SENSING	EXTRAORDINARY MAINTENANCE
72	56112348	1	DRAIN HOSE	EXTRAORDINARY MAINTENANCE
73	56419275	3	GASKET	EXTRAORDINARY MAINTENANCE
74	56112554	1	KIT-SOLUTION LEVEL	EXTRAORDINARY MAINTENANCE
75	9097028000	1	VALVE ELBOW	EXTRAORDINARY MAINTENANCE
76	9097290000	1	HOSE FILLING	EXTRAORDINARY MAINTENANCE
77	56112345	1	FILL HOSE SUPPORT	EXTRAORDINARY MAINTENANCE
78	56601599	1	CAP RAW WITH TETHER	EXTRAORDINARY MAINTENANCE
79	56112108	2	WHEEL	EXTRAORDINARY MAINTENANCE
80	909 6505 000	2	WHEEL D.60,SQUEEGEE	EXTRAORDINARY MAINTENANCE
81	56370711	2	Nut Thumb 5/16-18 Cv211F	EXTRAORDINARY MAINTENANCE
82	909 6052 000	1	SUPPORT,SQUEEGGE SPRING	EXTRAORDINARY MAINTENANCE
83	52557A	1	SQUEEGEE KNOB ENCORE 17	EXTRAORDINARY MAINTENANCE
84	909 6635 000	2	HOLDER,FLAT TIE	EXTRAORDINARY MAINTENANCE

NOTE 1: EMC Filter Kit 56112353 is obsolete and replaced by 56112349.