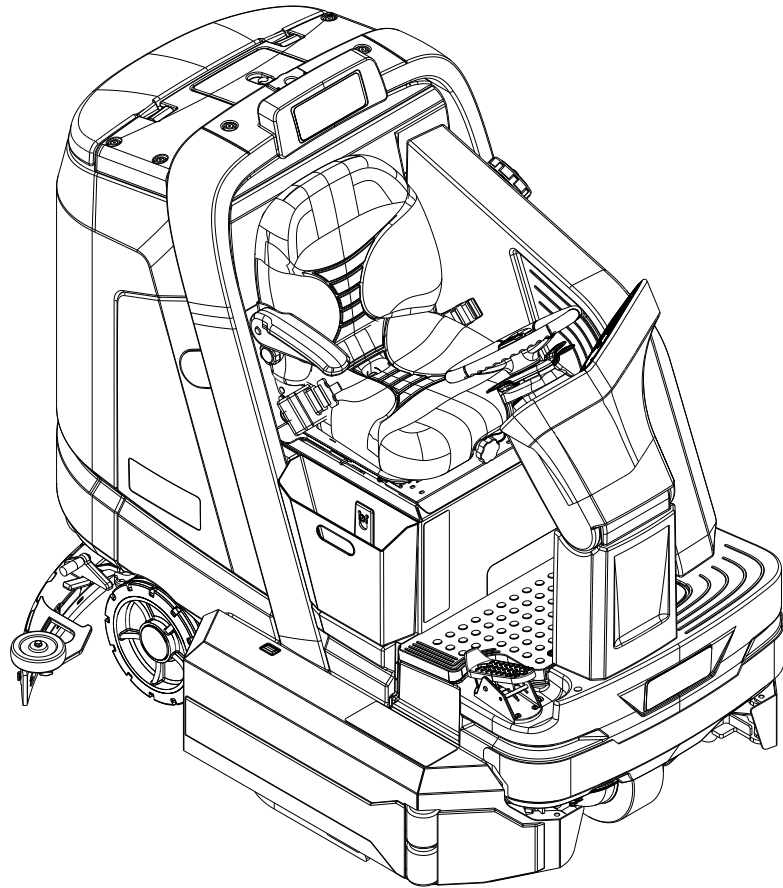


SC6000



PARTS LIST

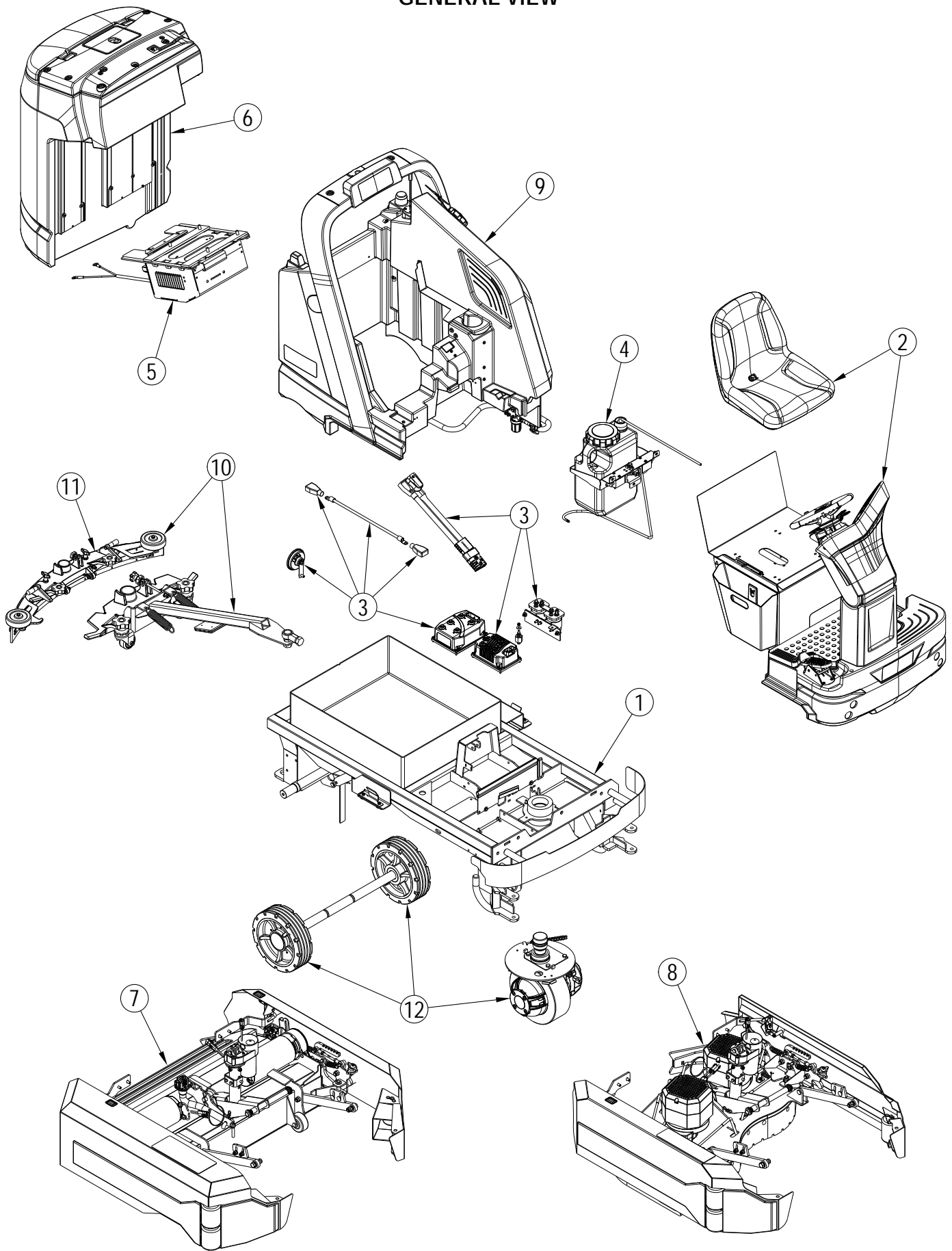
Models: 56116000(SC6000 36C)

56116001(SC6000 40D), 56116002(SC6000 34D)



Advance

GENERAL VIEW



GENERAL VIEW

<u>Kit</u>	<u>Item</u>	<u>Ref. No.</u>	<u>Qty</u>	<u>Description</u>
	1		1	Chassis System
	2		1	Control System
	3		1	Electrical System
	4		1	Ecoflex™ Assembly
	5		1	Onboard-Charger-Assembly
	6		1	Recovery System
	7		1	Scrub System-Cylindrical
	8		1	Scrub System-Disc
	9		1	Solution System
	10		1	Squeegee System
	11		1	Squeegee Assy
	12		1	Wheel System

TABLE OF CONTENTS

DESCRIPTION	PAGE
Chassis System	4-5
Control System.....	6-7
Control System-Upper Column Assembly.....	8-9
Control System-Lower Column Assembly.....	10-11
Decal System.....	12-13
Electrical System.....	14-15
Ecoflex™ Assembly	16-17
Onboard-Charger-Assembly	18-19
Recovery System.....	20-21
Scrub System-Cylindrical.....	22-23
Scrub System-Cylindrical-Deck Assembly	24-25
Scrub System-Cylindrical-Side Blade Assemblies	26-27
Scrub System-Cylindrical-Right Door Assy.....	28-29
Scrub System-Left Door Assembly-36C&40D.....	30-31
Scrub System-Disc.....	32-33
Scrub System-Disc-Deck Assembly.....	34-35
Scrub System-Disc-Side Blade Assemblies.....	36-37
Scrub System-Disc-Right Door Assembly-34D	38-39
Scrub System-Disc-Left Door Assembly-34D	40-41
Scrub System-Disc-Right Door Assembly-40D	42-43
Solution System	44-45
Squeegee System.....	46-47
Squeegee System-Squeegee Assy J-34D	48-49
Squeegee System-Squeegee Assy K-36C & 40D	50-51
Wheel System.....	52-53
Ladder Diagrams.....	54-59
Options & Accessories	60-61
Recommended Spare Parts.....	62-63
Brush Selector Guide-Disc.....	64
Brush Selector Guide-Cylindrical	65
Squeegee Blade Selector Guide.....	66

WHEN ORDERING PARTS

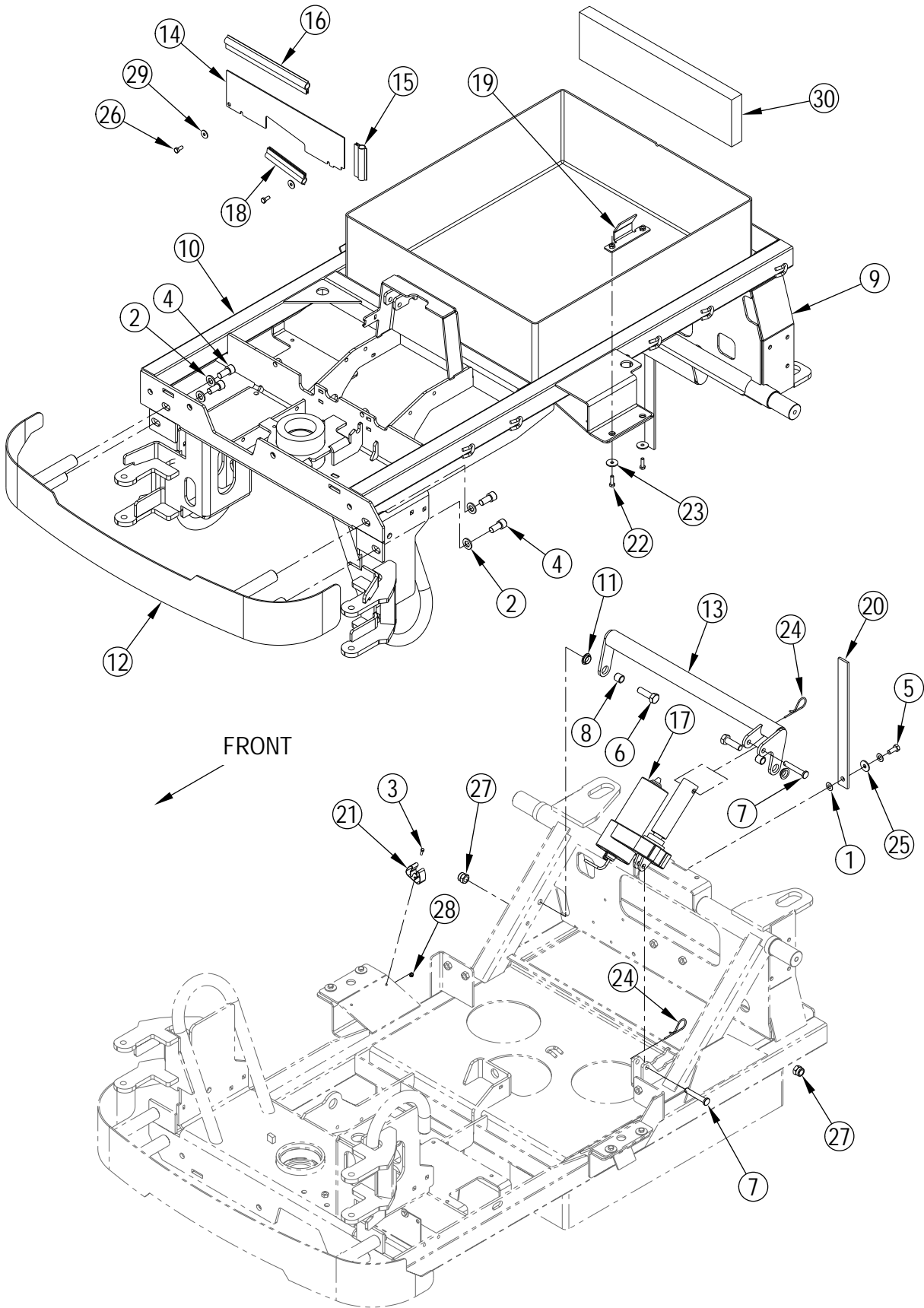
- * Use the part numbers from the "Ref. No." columns in this parts list. If the "Ref. No." column is blank; look under the "Kit" column to identify which kit contains the part in question, then use the kit callout, for example "K1", to find the "Ref. No." for that kit.

Kit	Item	Ref. No.	Qty	Description
K1	1		16	Washer Flat 3/16 Zinc Plat
K1	2		2	Screw-BHS-Brass-10-32x3/8-MS
K1	3		3	Washer EPDM 7/32 X 1/8
	4	805	1	Chain-Cover
	5	905	2	Caster Swivel 4 Gray Non MA
K1	6		2	Nut, Hex Nyl Loc 10-24
K1	7		3	Scr- Hex SS 1/4-20 X .75
K1	8		16	Scr, Hex Hd Loc 1/4-20 x .50
K1	9		3	Wsh, Flt SS .260 X 1.000 X .074
	10	56113012	1	Solution Tank
	11	56113034	2	Hinge Plate
K1		56113103	1	Kit-Hardware Solution Tank

- * Specify the model and serial number of the machine.
- * Use the space below to record the model and serial number for future reference.

Model _____ Serial No. _____

CHASSIS SYSTEM



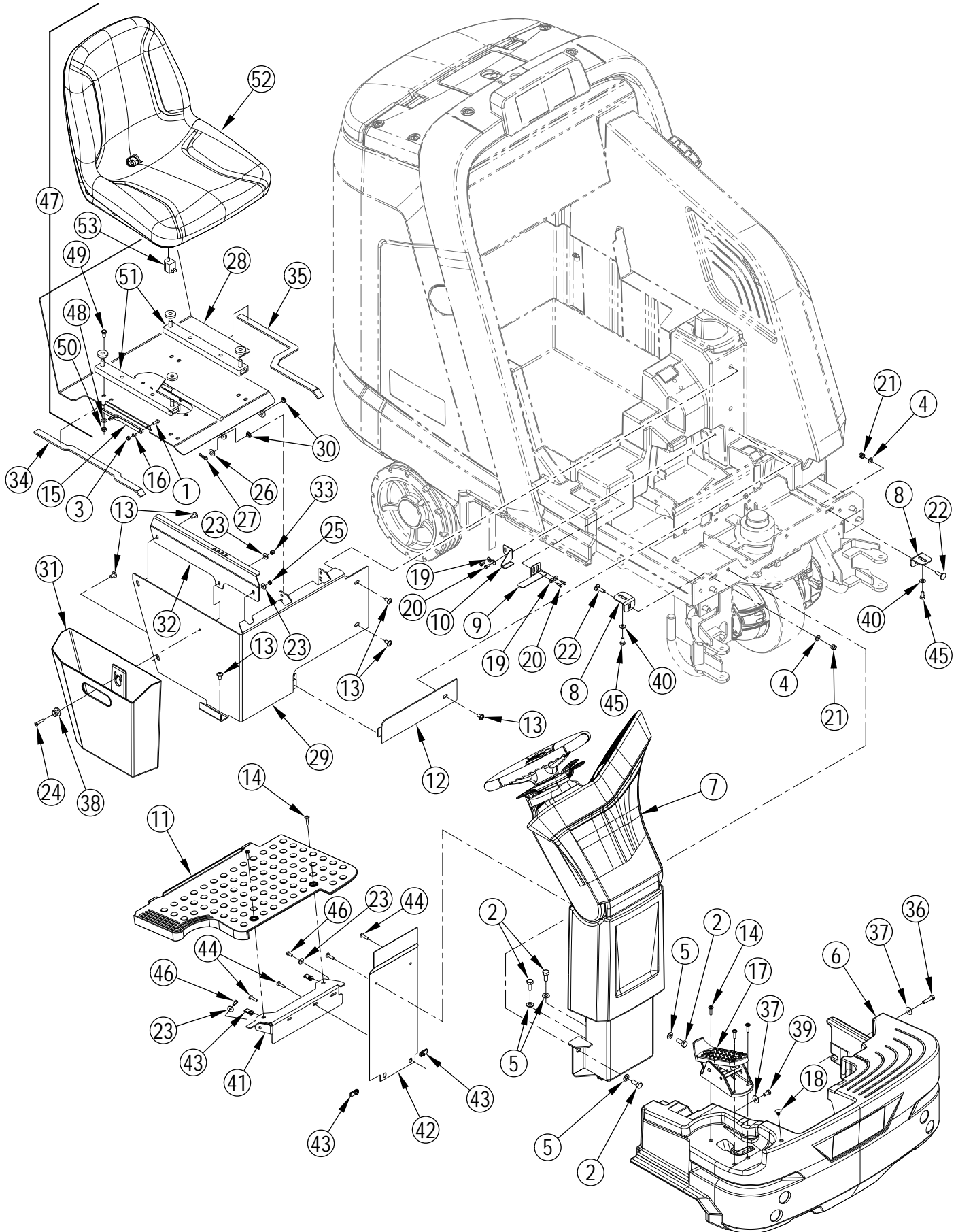
CHASSIS SYSTEM

Kit	Item	Ref. No.	Qty	Description
K5	1		2	Washer M8
K1	2		4	Washer, Flat 13x24
K2	3		1	Screw M4x12 Hex Hd F/Thd
K1	4		4	Screw Soc. Hd M12x25
K5	5		1	Screw M8x20 Hex Hd F/Thd
K2	6		2	Scr M12x40 Hex 10.9 Iso4017
K3	7		2	Pin-Clevis .375 X 2.25
K2	8		2	Bushing-12.5x16x14.48mm
	9	56116171	1	Tray-Battery
	10		1	Chassis Weldment
K2	11		2	Bearing-Flange-16x18x6mm
K1	12		1	Bumper Weldment
	13	56116501	1	Lift Arm Weldment-Squeegee
K4	14		1	Panel-Electrical Wall
K4	15		1	Edge Trim
K4	16		1	Edge Trim
	17	56116781	1	Actuator-Squeegee (M6)
K4	18		1	Trim Seal
	19	56116930	2	Bracket-Crossbar Mount
K5	20		1	Strap,Static, 12.5"
	21	56601598	1	Hose Clip
K2	22		4	Screw M6x20 Hex Hd F/Thd Ss
K2	23		4	Washer Flat XI 6.6x24.0x2.0 Ss
K3	24		2	Hair Pin Cotter A2,5
K5	25		1	Washer 8x24x2 Uni6593 Ss
K2,K4	26		2	Screw M6x14 Hex Hd F/Thd Ss
K2	27		2	Nut, Hex Nyl Loc M12 S.S.
K2	28		1	Nut, Hex Nyl Loc Thin M4 Ss
K2,K4	29		2	Washer Flat XI 6x18x1.5 - Ss
	30	56601708	1	Battery Spacer

Service Kits

K1	56116872	1	Bumper Kit
K2	56116873	1	Hardware Kit-Chassis
K3	56118038	1	Hardware Kit-Actuator
K4	56118047	1	Panel Kit-Electrical Wall
K5	56116874	1	Static Strap Kit

CONTROL SYSTEM



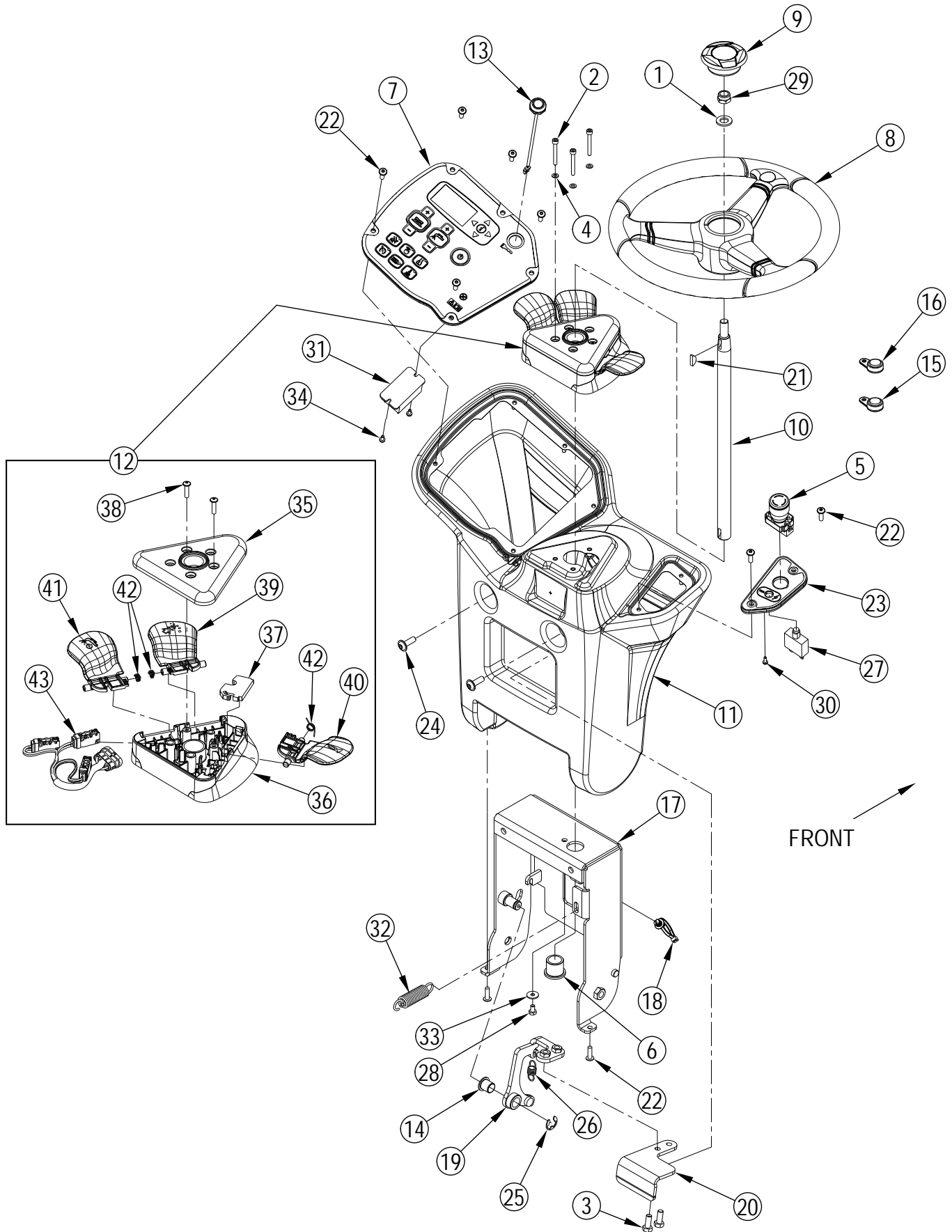
CONTROL SYSTEM

Kit	Item	Ref. No.	Qty	Description	Kit	Item	Ref. No.	Qty	Description
K8	1		1	Screw M6x16 Hex Hd F/Thd		34	56116849	1	Gasket-Adhesive 5x20x450mm
K7	2		4	Screw M10x25 Hex Hd F/Thd		35	56116850	1	Gasket-Adhesive 5x20x550mm
K8	3		1	Nut, Hex Nyl Loc Thin M6	K3	36		1	Screw M8x35 Hex Hd F/Thd Ss
K3	4		2	Washer, Flat 8.4x16x1.6	K3	37		2	Washer 8x24x2 Uni6593 Ss
K7	5		4	Washer, Flat 10.5x21	K9	38		1	Lug, Brush Driver
	6	56116088	1	Tank-Front Floor	K3	39		1	Screw M8x16 Hex Hd F/Thd Ss
	7		1	Steering Column Assembly (See pages 7 and 9)	K3	40		2	Washer, Flat 8.4x16x1.6
						41	56116642	1	Bracket-Floor Plate
K3	8		2	Bracket-Mounting		42	56116747	1	Cover-Steering Column
K4	9		1	Clip-Floor Plate-Right	K4,K7	43		4	U-Nut-Long M6
K4	10		1	Clip-Floor Plate-Left	K4,K7	44		4	Screw M6x25 Iso7380 Flange Blk
	11	56116779	1	Floor Panel Assembly	K3	45		2	Screw M8x16 Hex Hd F/Thd Ss
	12	56116792	1	Actuator Panel Weldment	K3	46		2	Screw M6x14 Hex Hd F/Thd Ss
K9	13		6	Screw M8x16 Iso7380 Flange Blk		47	56116600	1	Standard Seat Kit (48-53)
K3	14		5	Screw M6x25 Iso7380 Flange Blk		48	56001939	4	Wsh, Flt Sae 5/16
K8	15		1	Bar-Seat Prop		49	56002035	4	Scr-Hex 5/16-18 X .62
K8	16		1	Bushing-.256x.393x.265in		50	56002826	4	Nut, Hex Nyl Loc-Thin 5/16-18
	17	56118037	1	Foot Pedal Assembly (A11)		51	56109300	1	Slide Kit, No Studs
K3	18		1	Clip, Panel		52	56383292	1	Seat-11.25in Mount
K4	19		4	Washer Flat XI 5.5x15.0x1.6 Ss		53	7-82-00050	1	Switch Seat (S1)
K4	20		4	Screw M5x12 Hex Hd F/Thd					
K3	21		2	Nut, Hex Nyl Loc M8 Ss					
K3	22		2	Screw M8x30 Carriage					
K3	23		4	Washer Flat XI 6x18x1.5 - Ss					
K9	24		1	Screw Flat Socket Head M6x30.0					
K9	25		1	Nut, Hex Nyl Loc Thin M6 Ss					
K9	26		1	Washer, Flat 10.5x21					
K9	27		1	Pin- Bow-Tie Cotter 1/4 - 3/8					
	28	56116538	1	Seat Mount Weldment					
	29	56116656	1	Seat Mount Weldment					
K9	30		2	Bearing-Flange-10x12x5mm					
	31	56116748	1	Waste Bin-Seat Mount					
	32	56116791	1	Bracket-Seat					
K9	33		1	Nut, Cap M6 Uni 5721					

Service Kits

K3	56116901	1	Hardware Kit-Floor Tank
K4	56116903	1	Hardware Kit-Floor Plate
K7	56116987	1	Hardware Kit-Lower Column
K8	56118051	1	Prop Rod Kit
K9	56116915	1	Hardware Kit-Seat Area

CONTROL SYSTEM-UPPER COLUMN ASSEMBLY



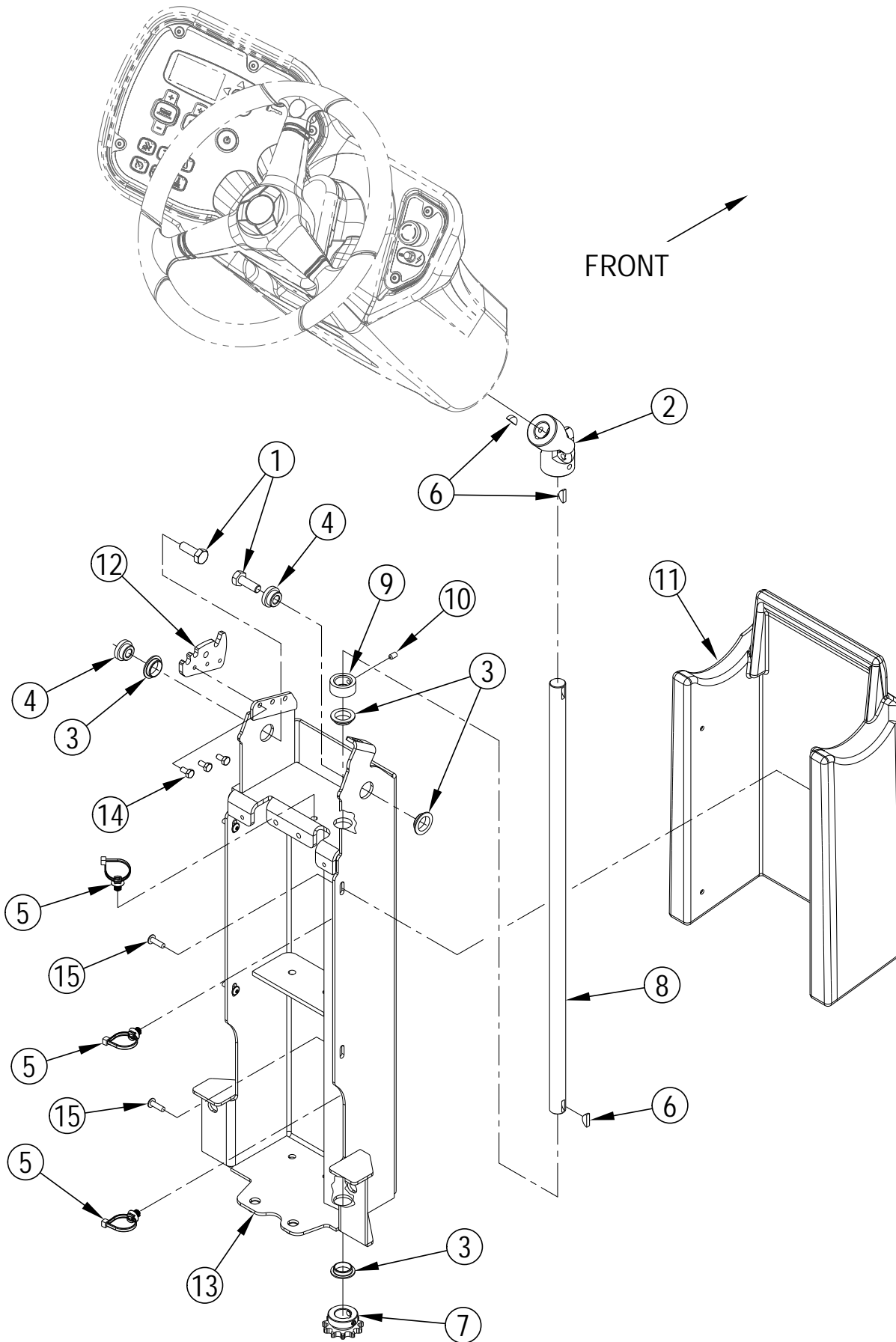
CONTROL SYSTEM-UPPER COLUMN ASSEMBLY

Kit	Item	Ref. No.	Qty	Description
K6	1		1	Washer, Flat 13x24
K2	2		3	Screw Soc. Hd M5x40
K10	3		2	Screw M8x20 Hex Hd F/Thd
K2	4		3	Washer, Flat 5,3x10
	5	56104247	1	Emergency Disconnect (S2)
	6	56104407	1	Bearing-Flange
	7	56116054	1	Pcb Box Assembly
		56116056	1	Membrane Panel Assembly
	8	56116102	1	Wheel-Steering
	9	56116122	1	Cap-Steering Wheel
	10	56116165	1	Shaft-Steering-Upper 20mm
	11	56116312	1	Shroud-Steering Column-Upper
	12		1	Paddle Assembly (35-43)
	13	56116477	1	Ibutton-Probe
K10	14		1	Bearing-Flange-14x16x17mm
	15	56116518	1	Smart Key-User (A10)
	16	56116519	1	Smart Key-Supervisor
	17	56116580	1	Steering Column Weldment-Upper
K6	18		1	Cable Tie Mount
K10	19		1	Lever Weldment-Tilt
K10	20		1	Handle-Tilt Lever
K6	21		1	Key-Wdf 5x7.5x19 Uni6606
K6	22		9	Screw M6x20 Wn1451 Black Zn
	23	56116802	1	Mounting Panel-E-Stop Breaker
K6	24		2	Screw M8x25 Iso7380 Flange Blk
K10	25		1	Washer-Retaining 12mm Din6799
K10	26		1	Spring-Extension-0.50x1.25in
	27	56507644	1	Circuit Breaker, 10 Amp (CB1)
K6	28		1	Screw M6x10 Hex Hd F/Thd Ss
K6	29		1	Nut, Hex Nyl Loc Thin M12
K6	30		1	Scr, Pan Phil M3.5x10
	31	40892A	1	Relay Dpdt 36vdc (K1)
	32	56116846	1	Spring-Extension 0.75x3.00In
K6	33		1	Washer Flat XI 6x18x1.5
K6	34		2	Scr, Pan Phil M4x10
K2	35		1	Housing-Paddle-Cover
K2	36		1	Housing-Paddle
K2	37		1	Plate-Blank-Paddle
K2	38		2	Screw M5x20 Wn1451 Black Zn
K1	39		1	Paddle-Boost Of Power
K1	40		1	Paddle-Horn
K1	41		1	Paddle-Solution
K1	42		3	Spring-Torsion .33in-135deg
	43	56116529	1	Harness-Paddle

Service Kits

K1	56116913	1	Paddle Kit
K2	56116914	1	Paddle Housing Kit
K6	56118052	1	Hardware Kit-Upper Column
K10	56118066	1	Column Tilt Kit

CONTROL SYSTEM-LOWER COLUMN ASSEMBLY



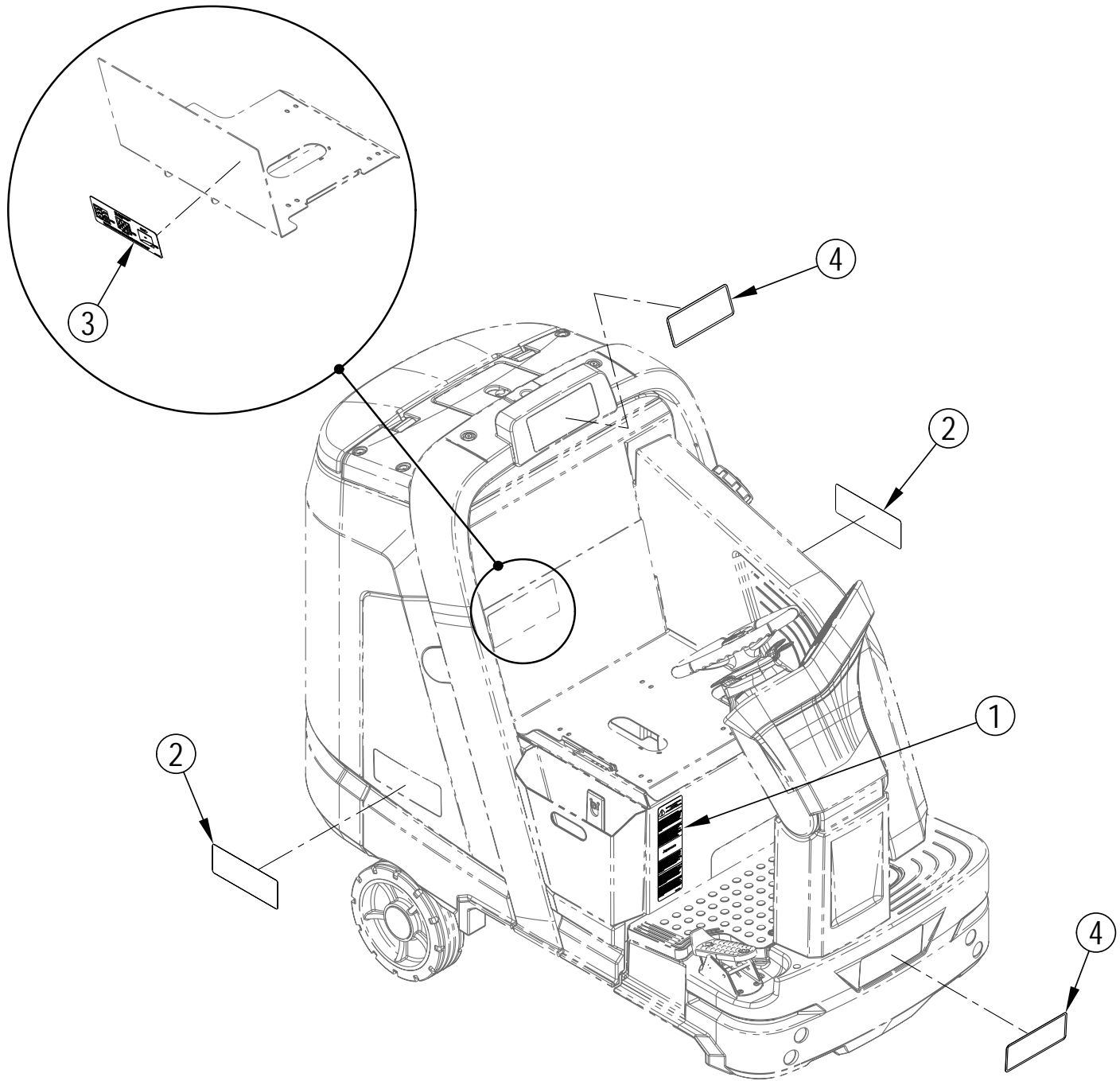
CONTROL SYSTEM-LOWER COLUMN ASSEMBLY

<u>Kit</u>	<u>Item</u>	<u>Ref. No.</u>	<u>Qty</u>	<u>Description</u>
K5,K7	1		2	Screw M10x30 Hex Hd F/Thd
	2	56116169	1	Joint-Universal
K5,K7	3		4	Bearing-Flange-20x23x7mm
K5	4		2	Bushing-Flange-10x20x12mm
K5	5		3	Cable Tie Mount
K5,K7	6		3	Key-Wdf 5x7.5x19 Uni6606
	7	56104269	1	Sprocket-11 Tooth
	8	56116163	1	Shaft-Steering-Lower-20mm
K7	9		1	Collar-Shaft-20x32x14mm
K7	10		1	Screw M6x1.0x10 Soc.Set Cylindrical
	11	56116278	1	Shroud-Steering Column-Lower
	12	56116323	1	Plate-Tilt Adjustment
	13	56116570	1	Steering Column Weldment-Lower
K7	14		3	Screw M6x12 Hex Hd F/Thd Ss
K7	15		4	Screw M6x20 Wn1451 Black Zn

Service Kits

K5	56116904	1	Hardware Kit-Column
K7	56116987	1	Hardware Kit-Lower Column

DECAL SYSTEM



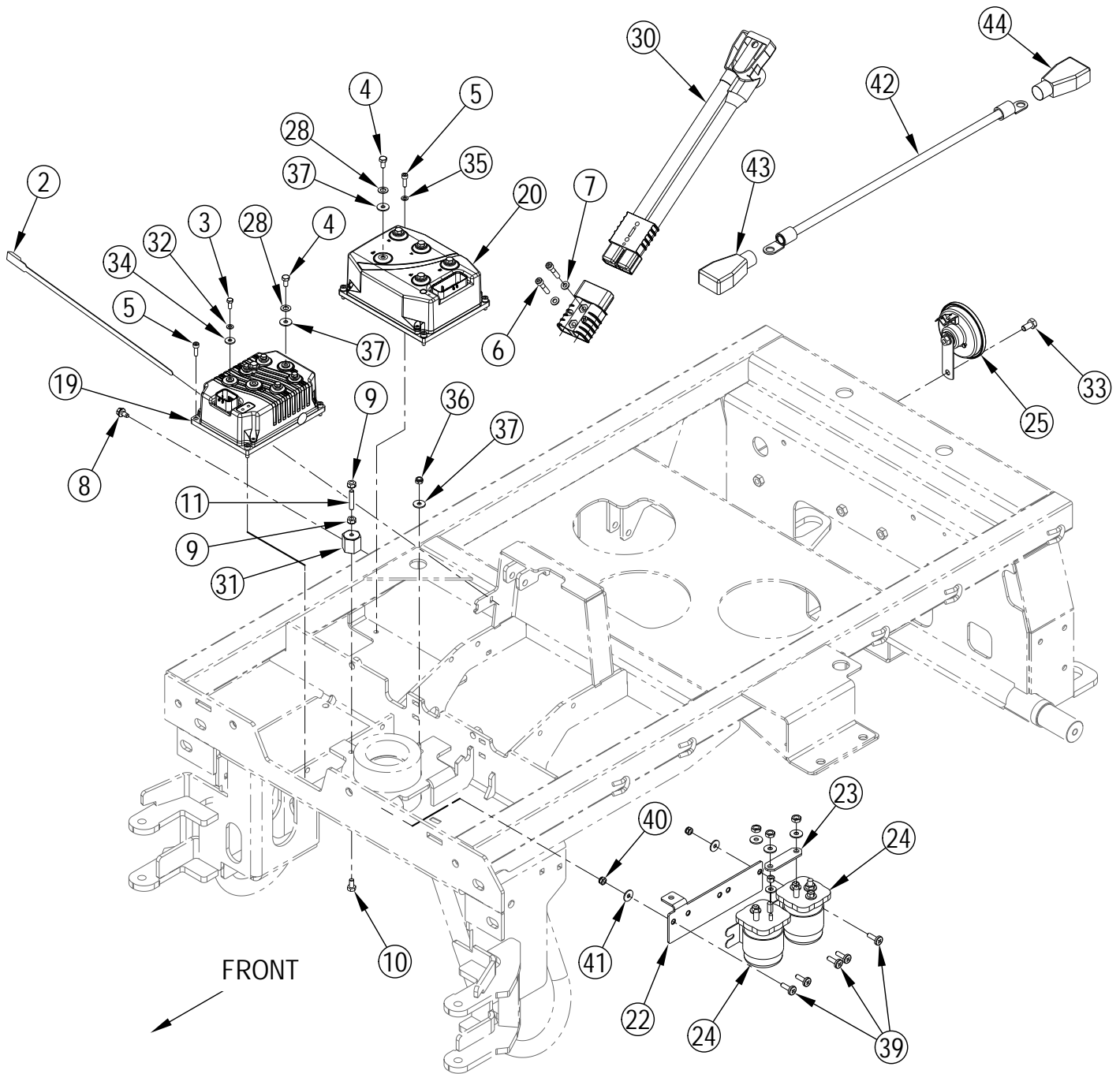
DECAL SYSTEM

<u>Kit</u>	<u>Item</u>	<u>Ref. No.</u>	<u>Qty</u>	<u>Description</u>
K1	1		1	Decal, Caution
K1	2		2	Decal-SC6000-Advance
K1			2	Decal-SC6000-Ecoflex-Advance
K1	3		1	Decal-Battery Wiring 36V
K1	4		2	Decal Advance Rectangular 210x83

Service Kits

K1	56118068	1	Decal Kit-Americas
----	----------	---	--------------------

ELECTRICAL SYSTEM



ELECTRICAL SYSTEM

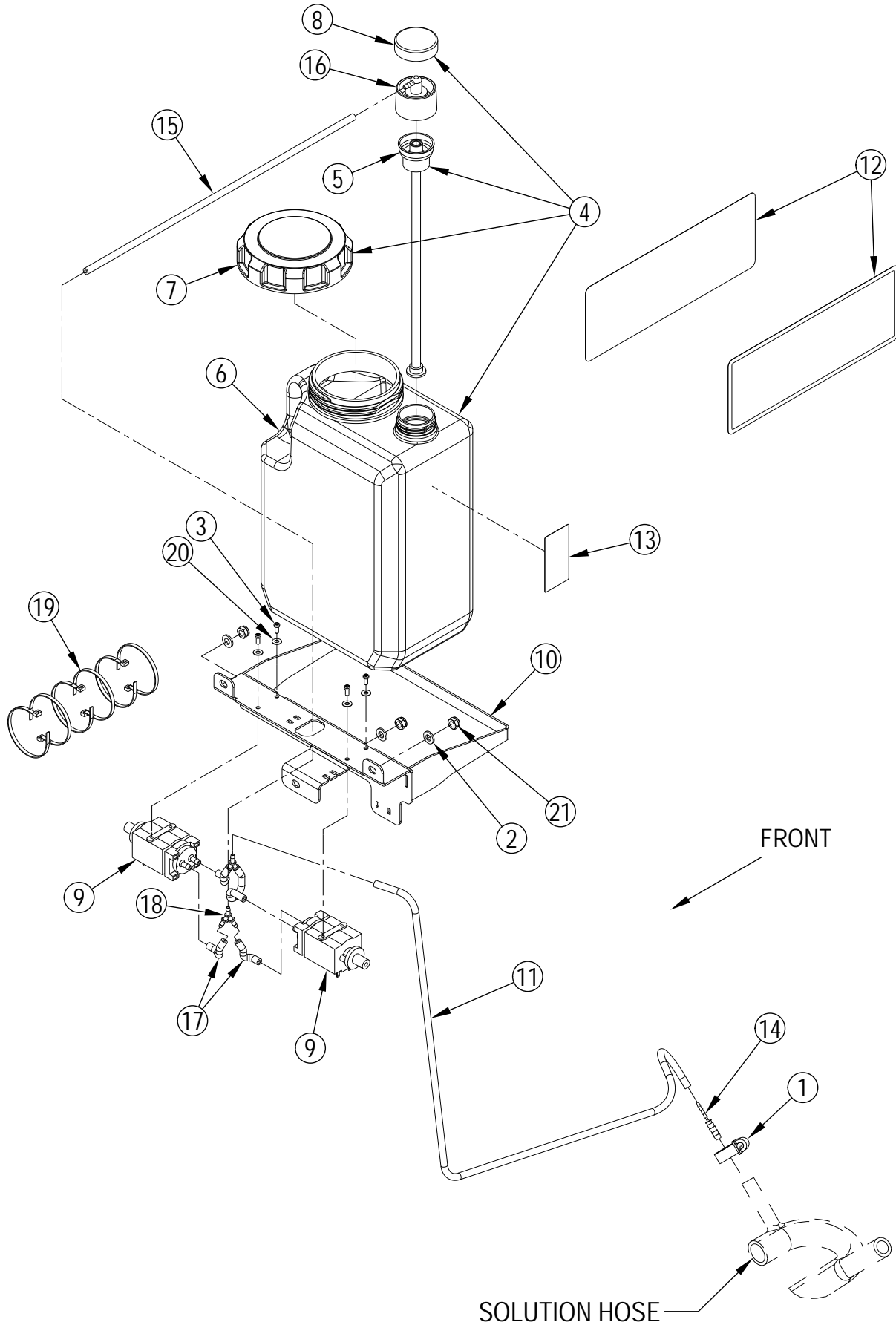
Kit	Item	Ref. No.	Qty	Description
K2	[1]		20	Clamp 290x4.8
K2	2		1	Clamp 9x350
K3	3		5	Screw M5x12 Hex Hd F/Thd
K3	4		7	Screw M6x12 Hex Hd F/Thd
K3	5		8	Screw Soc. Hd M5x16 SS
K2	6		2	Screw Soc. Hd M6x30
K2	7		2	Washer, Flat 6,4x12,5
K2	8		1	Screw Thread Rolling M6x12
K1	9		2	Nut, Hex W/ Shprf 1/4-20
K1	10		1	Scr- Hex Ss 1/4-20 X .50
K1	11		1	Stud, 1/4-20
	[12]	56116050	1	Harness-Main
	[]	56115432	1	Fuse-150 Amp
	[13]	56116059	1	Harness-Traction
	[14]	56116061	1	Cable-Speed Controller-Red
	[15]	56116062	1	Cable-Speed Controller-Black
	[16]	56116063	1	Cable-Power Module-Red
	[17]	56116064	1	Cable-Power Module-Black
	[18]	56116065	1	Harness-Machine Power
	19	56116087	1	Module-High Power (E3)
	20	56116131	1	Speed Control (E4)
	21		1	Contactor Assembly (Power Module K2, / Speed Controller K3)
	22	56116300	1	Plate-Contactor Mounting
	23	56116345	1	Bus Bar-Contactor
	24	56303198	2	Contactor 36v Type 4 (K2, K3)
	25	56116375	1	Horn-36v (H1)
	[26]	56116396	1	Harness-Vacuum Float
K2	[27]		20	Cable Tie Mount
K3	28		7	Washer Int Lock M6 Din6798jss
	[29]	56116909	1	Harness-Seat Switch
	30	56116977	1	Harness Assembly-Battery
K1	31		1	Electrical Mount
K3	32		5	Washer, Ext. Shprf Ø 5 SS
K2	33		1	Screw M8x16 Hex Hd F/Thd SS
K3	34		5	Washer Flat XI 5.5x15.0x1.6ss
	35	L08241500	4	Washer, Flat 5.3x10x1 SS
K2	36		1	Nut, Hex Nyl Loc Thin M6ss
K2,K3	37		8	Washer Flat XI 6x18x1.5 -SS
K2	[38]		15	Tie, Cable 4.8x430
K4	39		5	Scr, Pan Phil M6x20
K4	40		2	Nut, Hex Nyl Loc Thin M6 SS
K4	41		2	Washer Flat XI 6x18x1.5 - SS
	42	56409485	5	Cable Assembly 1 x 15.00
	43	2-00-05173	5	Bat Terminal Cover (BLK)
	44	2-00-05171	5	Bat Terminal Cover (RED)

Service Kits

K1	56118049	1	Electrical Mount Kit
K2	56116992	1	Hardware Kit-Electrical
K3	56116926	1	Hardware Kit-Controllers
K4	56116993	1	Hardware Kit-Contactor Assembly

[] = Not Shown

ECOFLEX™ ASSEMBLY



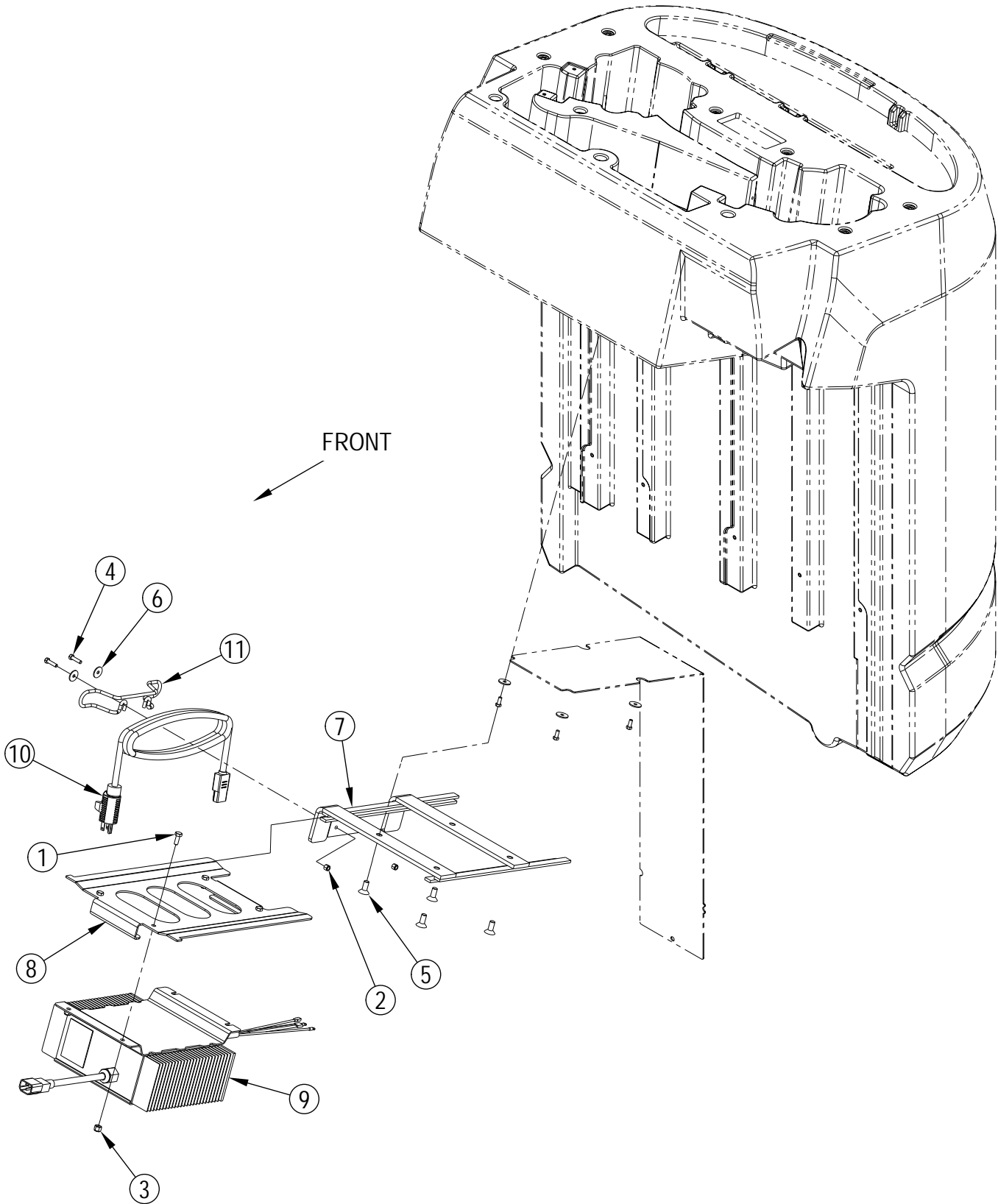
ECOFLEX™ ASSEMBLY

Kit	Item	Ref. No.	Qty	Description
K2	1		1	Clamp, Hose 09/12-22
K3	2		3	Washer, Flat 6,4x12,5
K3	3		4	Scr, Pan Phil Thd Form 6-32 X .31
	4	56104190	1	EcoFlex Bottle Assy
	5	56104189	1	Insert-Dry Break
	6	56104408	1	Chemical Bottle Assembly
	7	56315517	1	Cap, Raw
	8	56315690	1	Cap, 38mm Buttress
	9	56110742	2	Pump, Detergent, 12v (M8, M9)
	10	56116726	1	Bracket Weldment
K2	11		1	Hose 1/8 Id X 32 Lg
K1	12		2	Decal-SC6000-Ecoflex-Advance
K1	13		1	Decal-Chemical Ratio
K2	14		1	Reducer, Barb
K2	15		1	Hose, Chem Resistant, 14
	16	56315523	1	Cap Dry Break 1/8 Barb
K2	17		4	Hose, Chem Resistant. 2.00
K2	18		2	Fitting, Y, Barb, .125
K3	19		6	Clamp Black
	20	L08200800	4	Washer, Flat 4x9x0.8 Ss
K3	21		3	Nut, Hex Nyl Loc Thin M6 Ss

Service Kits

K1	56116999	1	Decal Kit-Ecoflex
K2	56116940	1	Hose Kit-Ecoflex
K3	56116941	1	Hardware Kit-Ecoflex

ONBOARD-CHARGER-ASSEMBLY



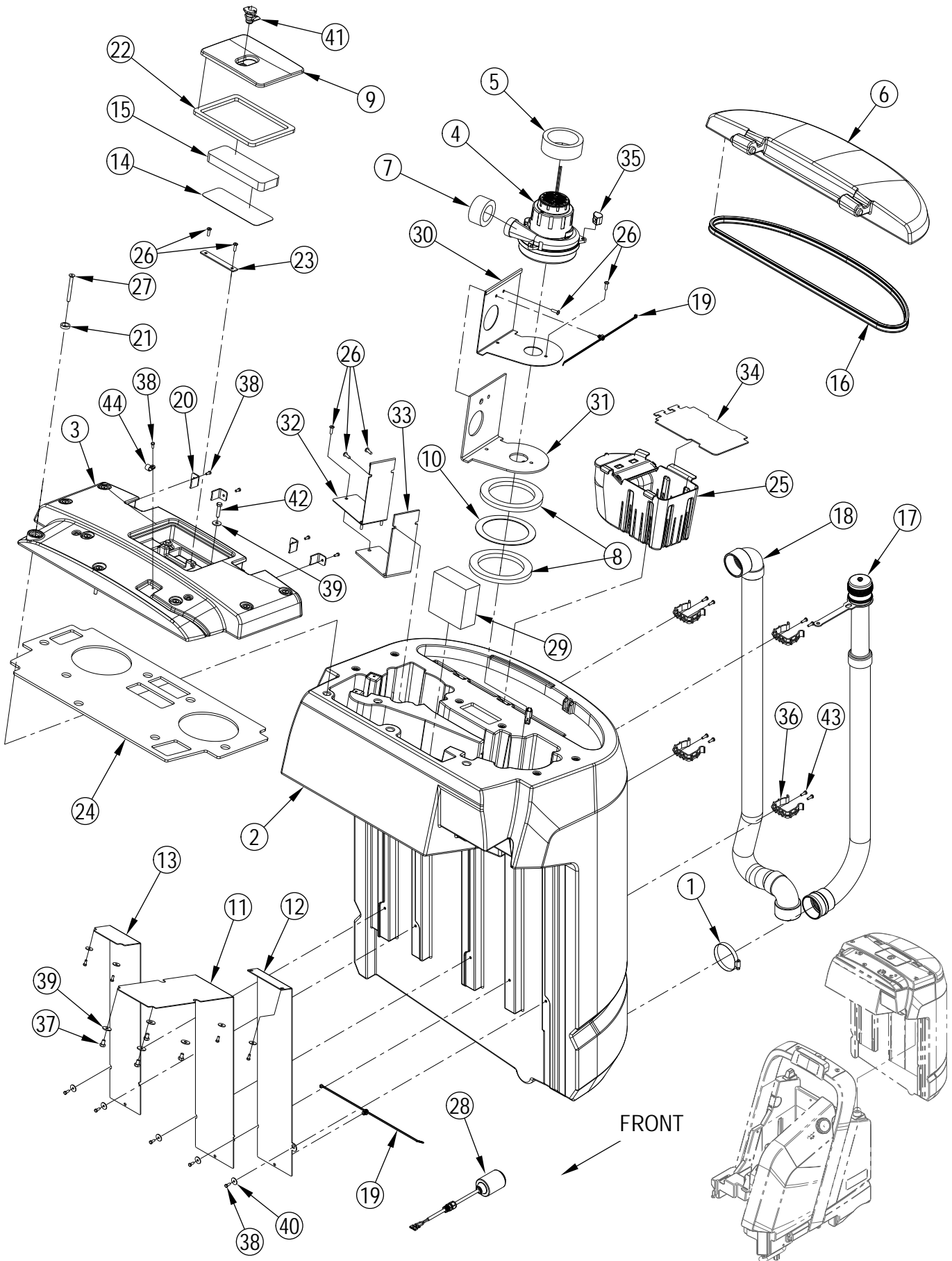
ONBOARD-CHARGER-ASSEMBLY

<u>Kit</u>	<u>Item</u>	<u>Ref. No.</u>	<u>Qty</u>	<u>Description</u>
K1	1		4	Scr, Hex Thd To Hd M6-1 X 16mm
K1	2		2	Nut-Hex Nyl Loc M5-0.8
K1	3		4	Nut-Hex Nyl Loc M6-1
K1	4		2	Scr-Hex M5-0.8 X 20mm
K1	5		4	Scr-Fit Soc M8-1.25 X 20mm
K1	6		2	Wsh-Fit Ss .204 X .750 X .050
	7	56116628	1	Mount Weldt-Onboard Charger
	8	56116631	1	Bracket-Onboard Charger Mount
	9	56315774	1	Charger-On Board 36v (E1)
	10	56383385	1	Cord Charger Yellow Us
	11	9095149000	1	Cable Support

Service Kits

K1	56116947	1	Hardware Kit-Onboard Charger
----	----------	---	------------------------------

RECOVERY SYSTEM

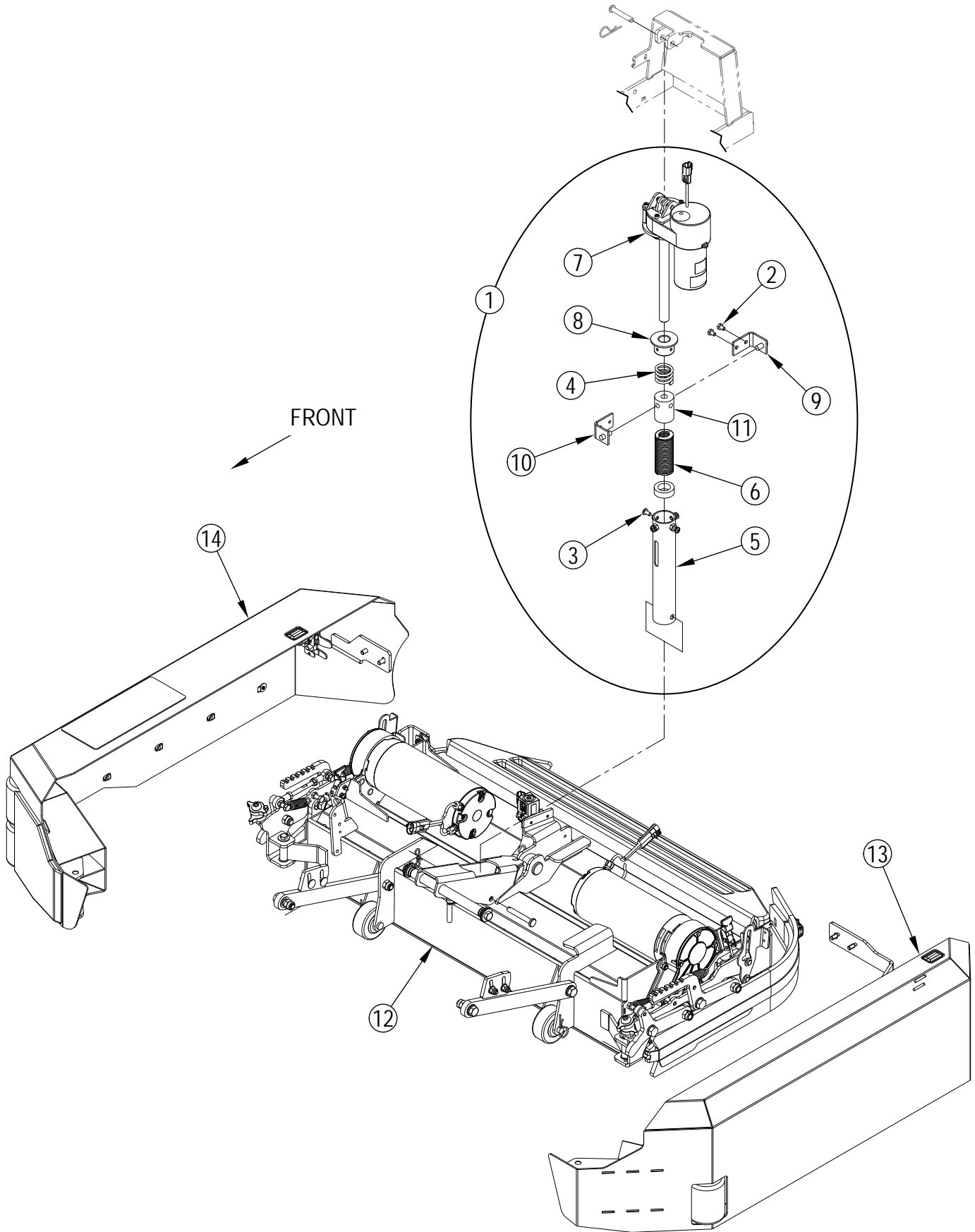


RECOVERY SYSTEM

Kit	Item	Ref. No.	Qty	Description	Kit	Item	Ref. No.	Qty	Description
	1	33003458	1	Clamp, Hose 8/62-82 W2	K7	27		8	Screw M8x80 Din7991 Ss Black
	2	56116093	1	Tank-Recovery		28	56116842	1	Switch-Float Mechanical 120v
	3	56116104	1	Cover-Vacuum Motor	K4	29	56118005	1	Seal-Vacuum Block
	4	56116105	1	Motor-Vacuum 36vdc (M4)	K4	30		1	Plate-Seal
		56116107	1	Vacuum Motor Brush Kit	K4	31		1	Gasket-Seal Vacuum
K5	5		1	Seal-Inlet	K4	32		1	Plate-Seal Vacuum
K4	6	56116111	1	Cover-Recovery Tank	K4	33		1	Gasket-Vacuum
K5	7		1	Seal-Exhaust		34	56118017	1	Flap-Debris Tray
K5	8		2	Seal-Vacuum Motor Inlet	K5	35		3	Mount, Vibration
K6	9		1	Cover-Filter	K2	36		4	Clamp, Plastic
K5	10		1	Plate-Gasket Mount	K1	37		4	Screw M8x12 Hex Hd F/Thd Ss
K1	11		1	Panel-Exhaust	K1,K3,K738			14	Screw M5x12 Hex Hd F/Thd
K1	12		1	Panel-Vacuum Motor Exhaust	K1,K7	39		6	Washer 8x24x2 Uni6593 Ss
K1	13		1	Panel-Vacuum Exhaust-Dual	K1	40		9	Washer Flat XI 5.5x20.0x1.6
K6	14	56116392	1	Screen-Filter	K6	41	1464896000	1	Latch With Fold Away
K6	15	56116394	1	Filter-Vacuum Inlet	K7	42		2	Screw M8x35 Hex Hd F/Thd Ss
	16	56116486	1	Seal-Recovery Cover	K2	43		8	Scr,Pan Phil M5x16 Ss
	17	56116500	1	Drain Hose Assembly	K7	44		1	Clamp, Cable Ø12.7
	18	56116537	1	Squeegee Hose Assembly					
K1,K7	19		2	Cable Tie-Mount					
K3	20		4	Retainer-Hinge					
K7	21		8	Washer-Cosmetic-Ss-M8					
K6	22		1	Gasket-Vacuum Filter Cover					
K6	23		1	Catch-Cover					
	24	56116698	1	Gasket-Vacuum Cover					
	25	56116722	1	Debris Tray Assembly					
K4,K6,K726			10	Screw M6x20 Wn1451 Black Zn					

Service Kits				
K1	56116920	1		Panel Kit-Recovery Tank
K2	56116988	1		Hose Clip Kit
K3	56116921	1		Door Retainer Kit
K4	56116989	1		Shut-Off Plate Kit-Single
K5	56116922	1		Vacuum Motor Seal Kit
K6	56116990	1		Filter Cover Kit
K7	56116991	1		Hardware Kit-Recovery System

SCRUB SYSTEM-CYLINDRICAL



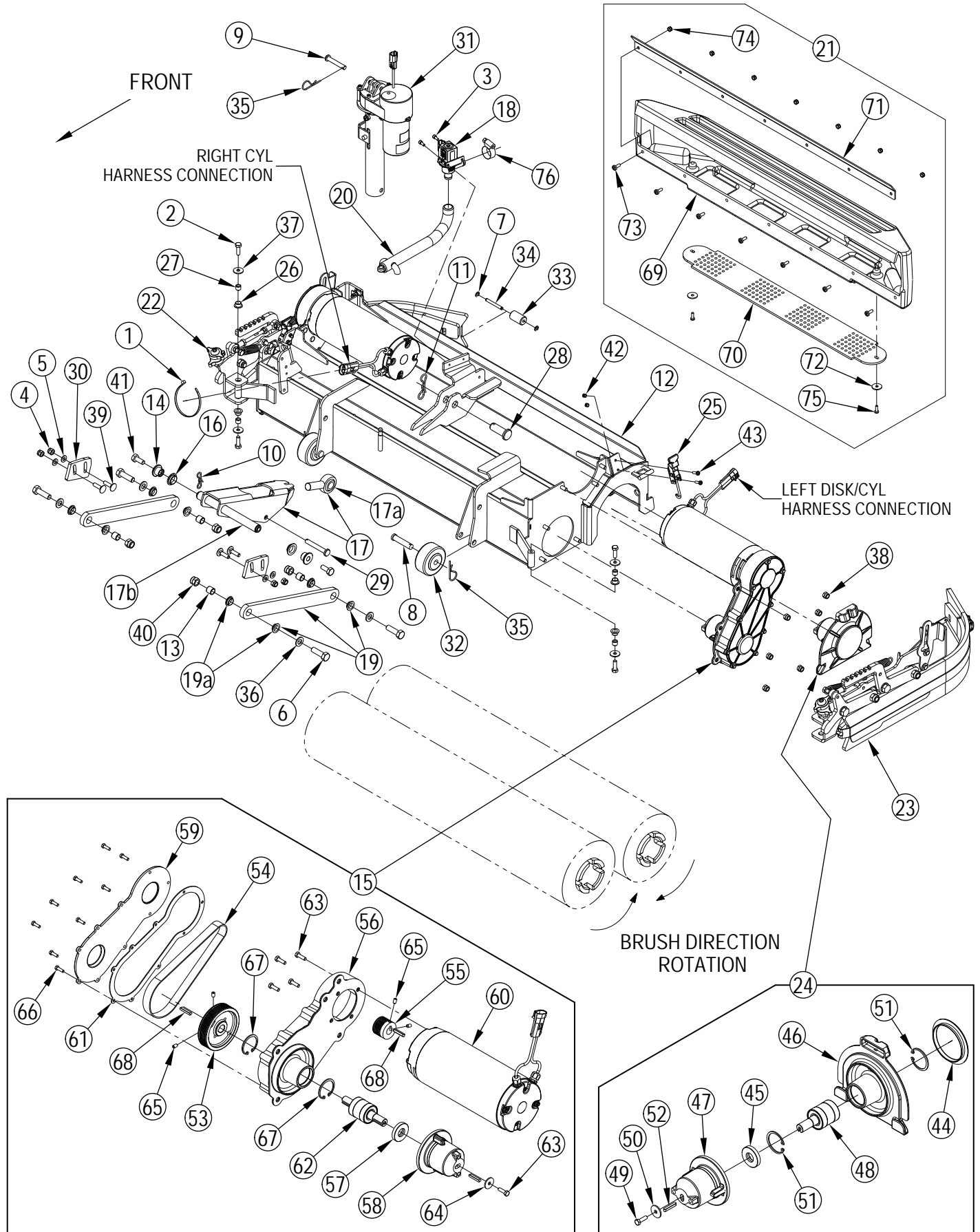
SCRUB SYSTEM-CYLINDRICAL

<u>Kit</u>	<u>Item</u>	<u>Ref. No.</u>	<u>Qty</u>	<u>Description</u>
	1		1	Complete Actuator Assembly (M7)
K1	2		2	Scr, Hex Thd Form 1/4-20 X0.38
K1	3		4	Scr, Pan Phil Thd Form 1/4-20x .50
K1	4		1	Spring-Compression 1.40x1.40in
K1	5		1	Spring Housing Weldment
K1	6		1	Spring-Compression-1.44x3.50 In
K1	7	56118041	1	Actuator Assembly-Heavy Duty
K1	8		1	Spring Housing Guide
K1	9		1	Nut Retainer
K1	10		1	Nut Retainer
K1	11	56388520	1	Nut, Plastic
	12		1	Cylindrical Scrub Assembly-36c
	13		1	Door Assembly-Left-40d/36c
	14		1	Door Assembly-Right-36c

Service Kits

K1	56118048	1	Spring Housing Kit-Actuator
----	----------	---	-----------------------------

SCRUB SYSTEM-CYLINDRICAL-DECK ASSEMBLY



SCRUB SYSTEM-CYLINDRICAL-DECK ASSEMBLY

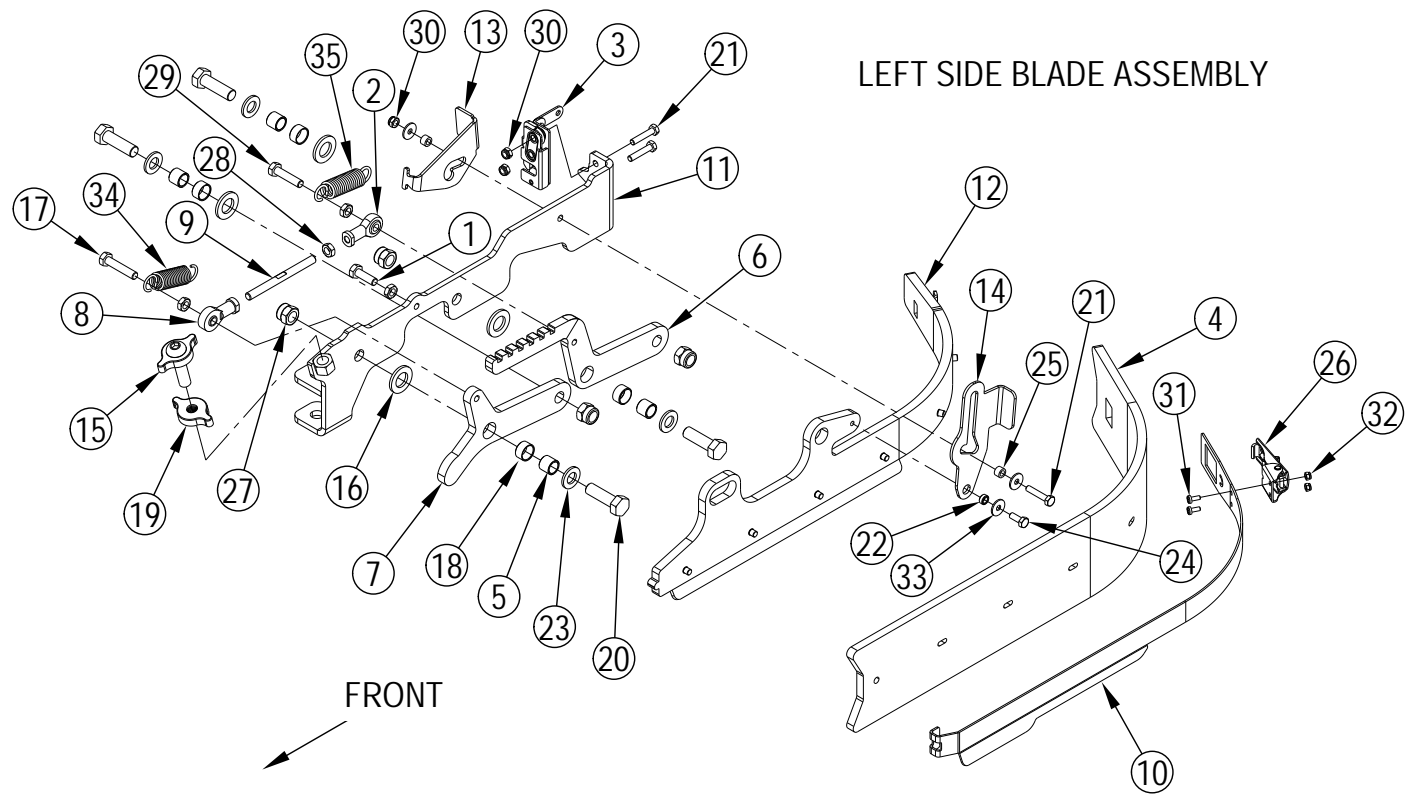
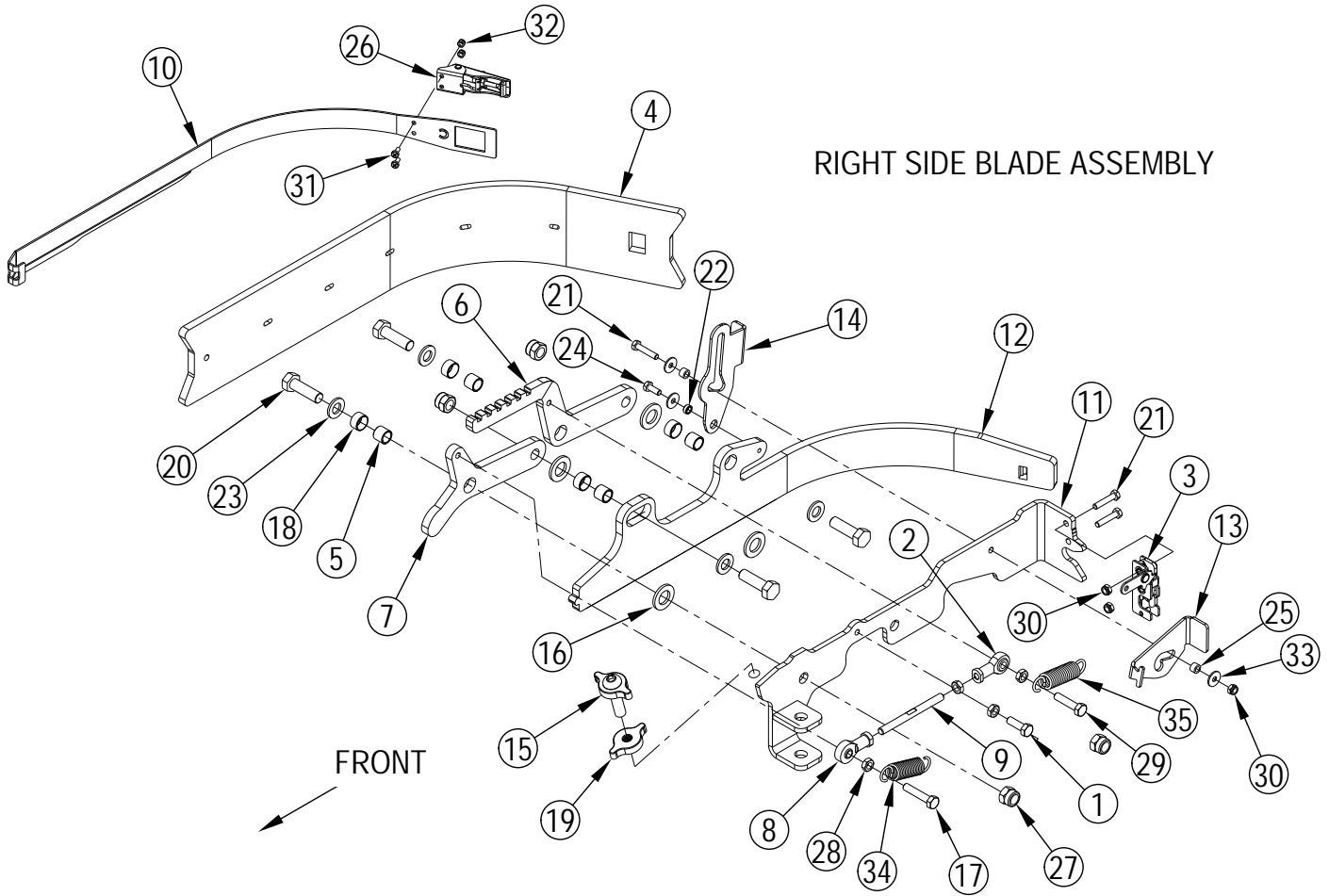
Kit	Item	Ref. No.	Qty	Description	Kit	Item	Ref. No.	Qty	Description
K28	1		1	Clamp 290x4.8	K26	51		2	Ring D 40 Uni7437
K29	2		4	Screw M8x25 Hex Hd F/Thd Ss	K23	52		1	Key 5x5x30 Din6885
K16	3		2	Screw Soc. Hd M5x12 Ss	K24	53		1	Sheave 95mm-8 Rib
K10	4		4	Nut, Hex Nyl Loc Hvy M8	K21	54		1	Belt-Self Tension-8 Rib
K10	5		4	Washer, Flat 8.4x16x1.6	K24	55		1	Sheave 1.50in-8 Rib
K2	6		4	Scr M12x40 Hex 10.9 Iso4017	K22	56		1	Housing-Cylindrical Drive
K20	7		4	Ring, Ret Ext Type E Reinf. 0.25 Dia	K22	57		1	Seal-Oil
K20	8		2	Clevis Pin	K23	58		1	Lug-Cylindrical Deck Drive
K13	9		1	Pin-Clevis .375 X 2.25	K25	59		1	Cover-Belt Housing
K13	10		1	Pin- Bow-Tie Cotter 7/16 - 1/2		60	56116159	1	Motor -36vdc-1900rpm-1hp (M1, M2)
K28	11		1	Pin-Bow Tie Cotter 3/4		[]	56422152	1	Kit, Wheel Drive Brushes
	12	56116069	1	Cylindrical Scrub Deck Weldt	K25	61		1	Gasket-Cyl Drive Housing
K2	13		4	Bushing-12.5x16x14.48mm	K22	62		1	Shaft Assembly-Brush
K1	14		2	Bushing-Lift Arm Pivot	K22,K2363			5	Screw M6x20 Hex Hd F/Thd Ss
	15		2	Cylindrical Drive Housing Assy (53-68)	K23	64		1	Washer Flat XI 6.6x24.0x2.0 Ss
K1	16		2	Bearing-Flange-20x23x7mm	K24	65		4	Screw M6x1.0x10 Soc.Set Cylindrical
K1	17		1	Deck Lift Arm Assembly	K25	66		9	Screw M5x16 Hex Hd F/Thd Ss
K1	17a		1	Rod End-Spherical-18mm-Male	K22	67		2	Ring D 40 Uni7437
K1	17b		1	Lift Arm Weldment	K23,K2468			3	Key 5x5x30 Din6885
K16,K1718			1	Valve-Solenoid-36vdc (L1)		69		1	Hopper-36 Inch
K2	19		2	Deck Trailing Arm Assembly	K19	70		1	Screen-Hopper-36in
K2	19a		8	Bearing-Flange-16x18x6mm		71		1	Threshold-Hopper-36in
	20	56116468	1	Hose-Solution Feed-Cylindrical	K19	72		2	Washer Flat XI 6.6x24.0x2.0 Ss
	21	56116483	1	Hopper Assembly-36in (69-75)		73		7	Scr, Pan Phil M6x16 Ss
	22	56116523	1	Side Blade Assembly-Right (pages 26-27)		74		7	Nut, Hex Nyl Loc Thin M6 Ss
	23	56116524	1	Side Blade Assembly-Left (pages 26-27)	K19	75		2	Scr,Pan Phil M5x16 Ss
	24		2	Idler Assembly (44-52)	K16	76		1	Clamp, Hose 15-24 Size8
K18	25		2	Latch-Draw					
K29	26		4	Bearing-Flange-12x14x9mm					
K29	27		4	Bushing					
K28	28		1	Pin-Clevis 18x50 Iso2341-B					
K13	29		1	Pin-Clevis 10x70 Iso2341-B					
K10	30		2	Plate-Stop					
	31		1	Actuator Assembly-Complete (M7) (pages 22-23)					
K20	32		2	Wheel 3.00 X 1.25					
K20	33		2	Roller, Rear					
K20	34		2	Pin					
K20,K1335			3	Hair Pin Cotter A2,5					
K2	36		4	Washer, Flat 13.0x24.0x2.5 Ss					
K29	37		4	Washer 8x24x2 Uni6593 Ss					
K22	38		12	Nut, Hex Nyl Loc M8 Ss					
K10	39		4	Screw M8x30 Carriage					
K2	40		4	Nut, Hex Nyl Loc M12 S.S.					
K1	41		2	Screw M10x25 Hex Hd F/Thd					
K18	42		4	Nut, Hex Nyl Loc Thin M5 Ss					
K18	43		4	Scr,Pan Phil M5x16 Ss					
	44	56116032	1	Cap-Hub					
K26	45		1	Seal-Oil					
K26	46		1	Housing-Cylindrical Deck Idler					
K23	47		1	Lug-Cylindrical Deck Drive					
K26	48		1	Shaft Assembly-Idler					
K23	49		1	Screw M6x20 Hex Hd F/Thd Ss					
K23	50		1	Washer Flat XI 6.6x24.0x2.0 Ss					

Service Kits

K1	56116881	1	Lift Arm Kit-Center
K2	56116882	1	Trailing Arm Kit
K10	56116928	1	Stop Kit-Both Sides
K13	56118038	1	Hardware Kit-Actuator
K16	56116875	1	Solenoid Valve Kit
K17	56116891	1	Solenoid Seal Kit
K18	56116877	1	Latch Kit-Both Sides
K19	56116879	1	Hopper Floor Kit
K20	56116880	1	Roller Kit-Cylindrical Deck
K21	56116885	1	Belt Kit-Both Sides
K22	56116886	1	Drive Housing Kit
K23	56116890	1	Hub Kit
K24	56116887	1	Sheave Kit
K25	56116888	1	Drive Cover Kit-Both Sides
K26	56116889	1	Idler Housing Kit
K28	56116878	1	Hardware Kit-Cylindrical Deck
K29	56116876	1	Pivot Hardware Kit-Both Sides

[] = Not Shown

SCRUB SYSTEM-CYLINDRICAL-SIDE BLADE ASSEMBLIES



SCRUB SYSTEM-CYLINDRICAL-SIDE BLADE ASSEMBLIES

Kit	Item	Ref. No.	Qty	Description
		56116523	1	Side Blade Assembly-Right
K8,K12	1		1	Screw M8x25 Hex Hd F/Thd Ss
K8	2		1	Joint M8
K4	3		1	Latch Rotary
K14	4		1	Blade-Deck-Red Gum
K15	*		1	Blade-Deck-PU
K12	5		4	Bushing-Sleeve-.507x.625x.527
	6	56116233	1	Arm-Side Blade-Rear
	7	56116234	1	Arm-Side Blade-Front
K8	8		1	Rod End-M8-Lh
K8	9		1	Rod-Threaded
K27	10		1	Strap-Cyl Side Blade-Right
	11	56116525	1	Side Blade Mount Weldt-Right
	12	56116652	1	Side Blade Support Weldt-Right
	13	56116660	1	Clip-Spring Adjustment-Right
	14	56116662	1	Latch-Double Scrub-Right
K9	15		1	Knob Assembly
K12	16		4	Washer17x30x3 Iso7089 SS
K8	17		1	Screw M8x40 Uni5739 SS
K12	18		4	Bearing, .719 X .625 X .375
K9	19		1	Knob
K12	20		4	Screw M12x40 A2 Din93
K4,K12	21		3	Screw M6x30 Hex Hd F/Thd SS
K12	22		1	Spacer 6.5x10x4.5
K12	23		4	Washer, Flat 13.0x24.0x2.5 SS
K12	24		1	Screw M6x16 Hex Hd F/Thd SS
K12	25		2	Spacer 6.1 X 10 X 6.5
K27	26		1	Latch Squeegee
K12	27		4	Nut, Hex Nyl Loc M12 S.S.
K8,K1228			4	Nut Hex M8 Uni5589 Ss
K8	29		1	Screw M8x35 Hex Hd F/Thd SS
K4,K12	30		3	Nut, Hex Nyl Loc Thin M6 SS
K27	31		2	Scr, Pan Phil M4x10 Ss
K27	32		2	Nut, Hex Nyl Loc Thin M4 SS
K12	33		3	Washer Flat XI 6x18x1.5 - SS
	34	56116239	1	Spring-Extension-0.75x2.96in
	35	56116846	1	Spring-Extension 0.75x3.00In

Service Kits

K4	56116979	1	Latch Kit
K8	56116981	1	Level Adjust Kit-Side Wiper
K9	56116983	1	Knob Kit-Side Wiper
K12	56116982	1	Hardware Kit-Side Wiper
K14	56116706	1	Side Blade Kit-Red Gum
K15	56116709	1	Side Blade Kit-PU
K27	56116984	1	Strap Kit-Both Sides-Cylindrical

* = Optional, Not Included

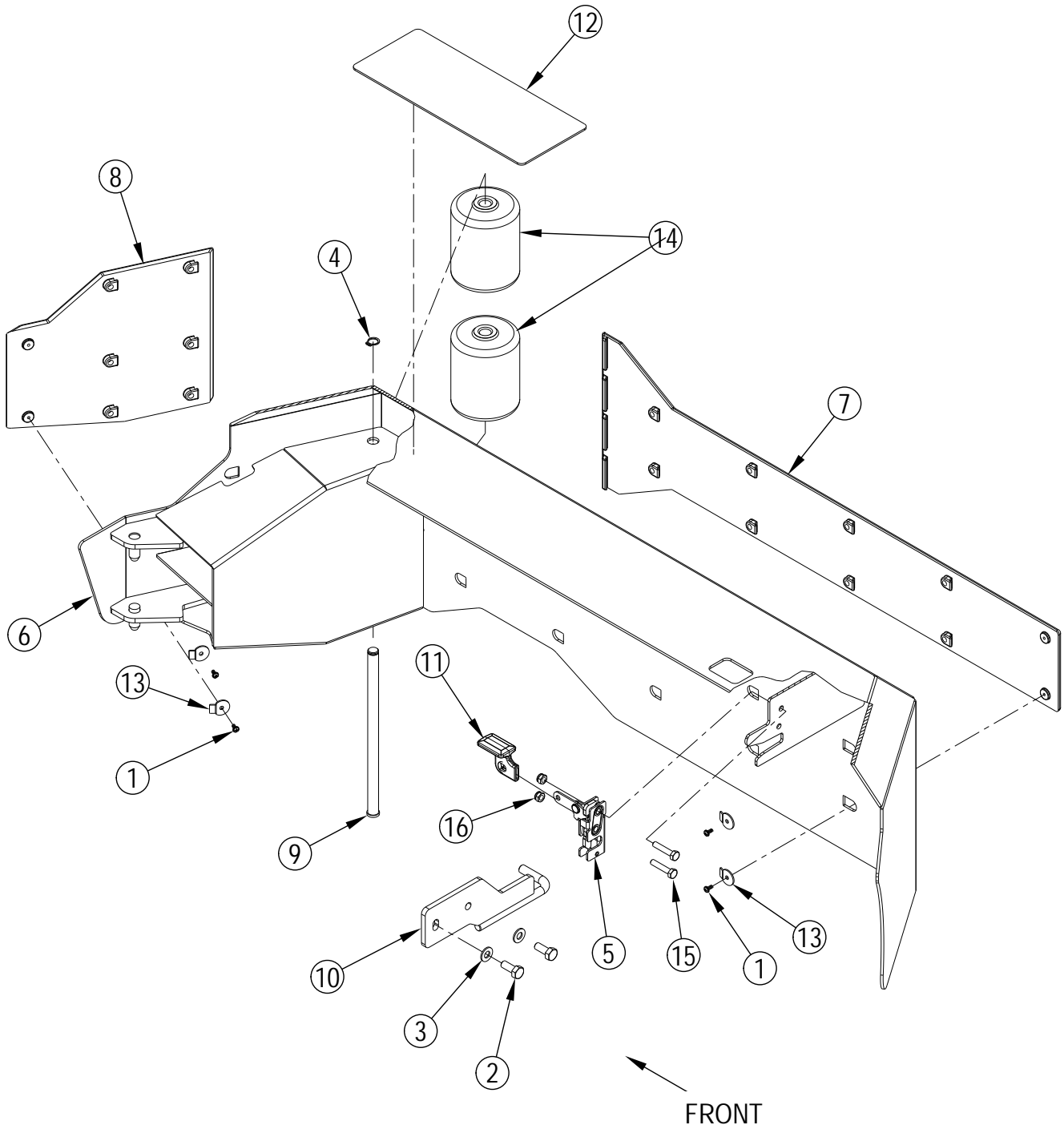
Kit	Item	Ref. No.	Qty	Description
		56116524	1	Side Blade Assembly-Left
K8,K12	1		1	Screw M8x25 Hex Hd F/Thd Ss
K8	2		1	Joint M8
K4	3		1	Latch Rotary
K14	4		1	Blade-Deck-Red Gum
K15	*		1	Blade-Deck-PU
K12	5		4	Bushing-Sleeve-.507x.625x.527
	6	56116233	1	Arm-Side Blade-Rear
	7	56116234	1	Arm-Side Blade-Front
K8	8		1	Rod End-M8-Lh
K8	9		1	Rod-Threaded
K27	10		1	Strap-Cyl Side Blade-Left
	11	56116526	1	Side Blade Mount Weldt-Left
	12	56116653	1	Side Blade Support Weldt-Left
	13	56116661	1	Clip-Spring Adjustment-Left
	14	56116663	1	Latch-Double Scrub-Left
K9	15		1	Knob Assembly
K12	16		4	Washer17x30x3 Iso7089 SS
K8	17		1	Screw M8x40 Uni5739 SS
K12	18		4	Bearing, .719 X .625 X .375
K9	19		1	Knob
K12	20		4	Screw M12x40 A2 Din93
K4,K12	21		3	Screw M6x30 Hex Hd F/Thd SS
K12	22		1	Spacer 6.5x10x4.5
K12	23		4	Washer, Flat 13.0x24.0x2.5 SS
K12	24		1	Screw M6x16 Hex Hd F/Thd SS
K12	25		2	Spacer 6.1 X 10 X 6.5
K27	26		1	Latch Squeegee
K12	27		4	Nut, Hex Nyl Loc M12 S.S.
K8,K1228			4	Nut Hex M8 Uni5589 Ss
K8	29		1	Screw M8x35 Hex Hd F/Thd SS
K4,K12	30		3	Nut, Hex Nyl Loc Thin M6 SS
K27	31		2	Scr, Pan Phil M4x10 Ss
K27	32		2	Nut, Hex Nyl Loc Thin M4 SS
K12	33		3	Washer Flat XI 6x18x1.5 - SS
	34	56116239	1	Spring-Extension-0.75x2.96in
	35	56116846	1	Spring-Extension 0.75x3.00In

Service Kits

K4	56116979	1	Latch Kit
K8	56116981	1	Level Adjust Kit-Side Wiper
K9	56116983	1	Knob Kit-Side Wiper
K12	56116982	1	Hardware Kit-Side Wiper
K14	56116706	1	Side Blade Kit-Red Gum
K15	56116709	1	Side Blade Kit-PU
K27	56116984	1	Strap Kit-Both Sides-Cylindrical

* = Optional, Not Included

SCRUB SYSTEM-CYLINDRICAL-RIGHT DOOR ASSEMBLY



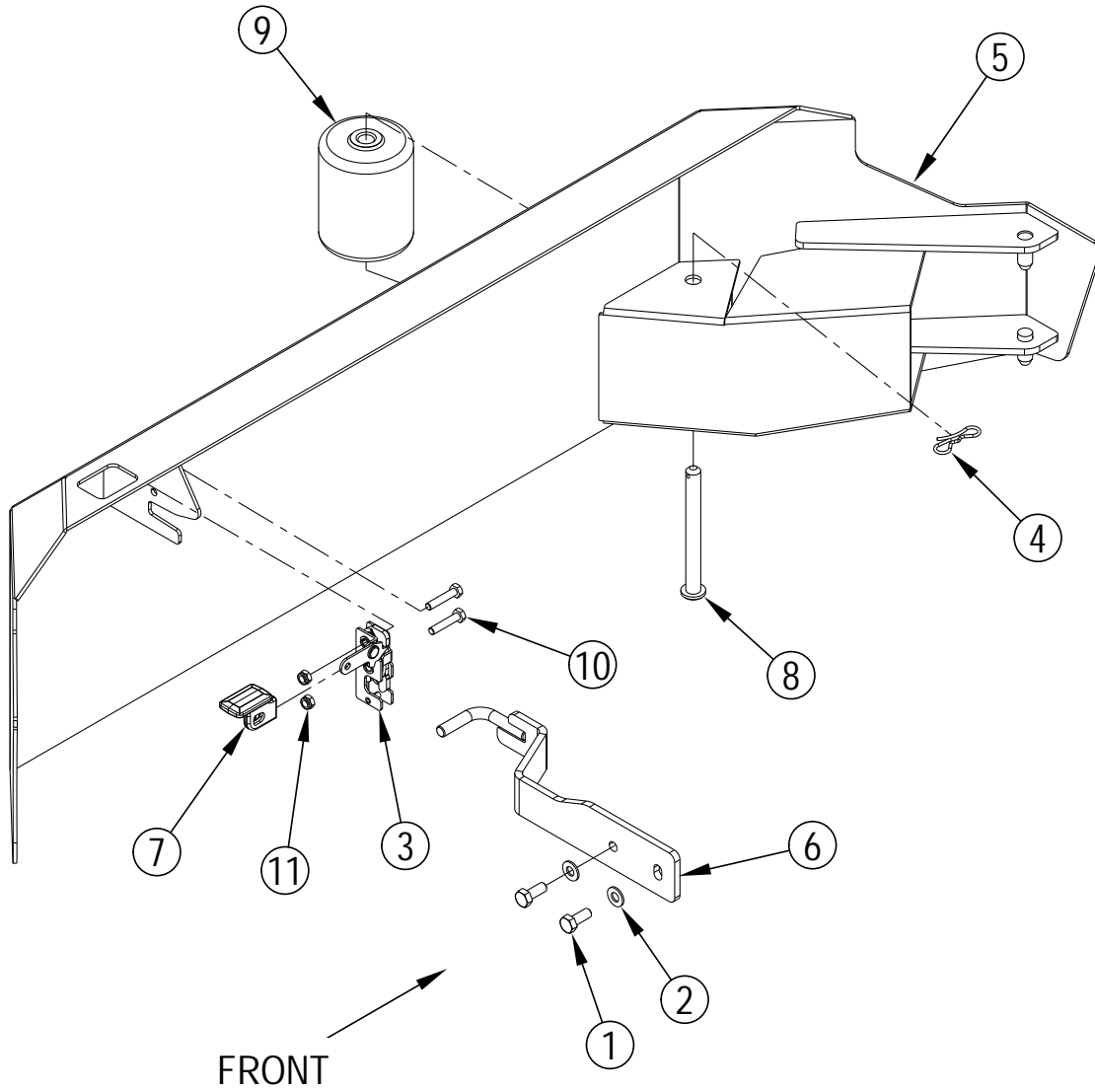
SCRUB SYSTEM-CYLINDRICAL-RIGHT DOOR ASSEMBLY

<u>Kit</u>	<u>Item</u>	<u>Ref. No.</u>	<u>Qty</u>	<u>Description</u>
K7	1		4	Ejot 3.5x8 Wn1411
K6	2		2	Screw M8x20 Hex Hd F/Thd
K6	3		2	Washer, Flat 8.4x16x1.6
K5	4		1	Shaft Ring D.12
K4	5		1	Latch Rotary
	6	56116419	1	Door Weldment-Right-36c
K7	7		1	Skid Plate-Right-34d
K7	8		1	Skid Plate-Right-Front-36c
K5	9		1	Pin-Door Roller
K6	10		1	Door Striker Weldment-Right
K4	11		1	Handle-Latch
	12	56116720	1	Mat-Door
K7	13		4	Washer-Tab
K5	14		2	Wheel, Roller
K4	15		2	Screw M6x30 Hex Hd F/Thd Ss
K4	16		2	Nut, Hex Nyl Loc Thin M6 Ss

Service Kits

K4	56116979	1	Latch Kit
K5	56116980	1	Roller Kit-Both Doors
K6	56116899	1	Striker Kit-Right
K7	56116900	1	Skid Plate Kit

SCRUB SYSTEM-LEFT DOOR ASSEMBLY-36C&40D



SCRUB SYSTEM-LEFT DOOR ASSEMBLY-36C & 40D

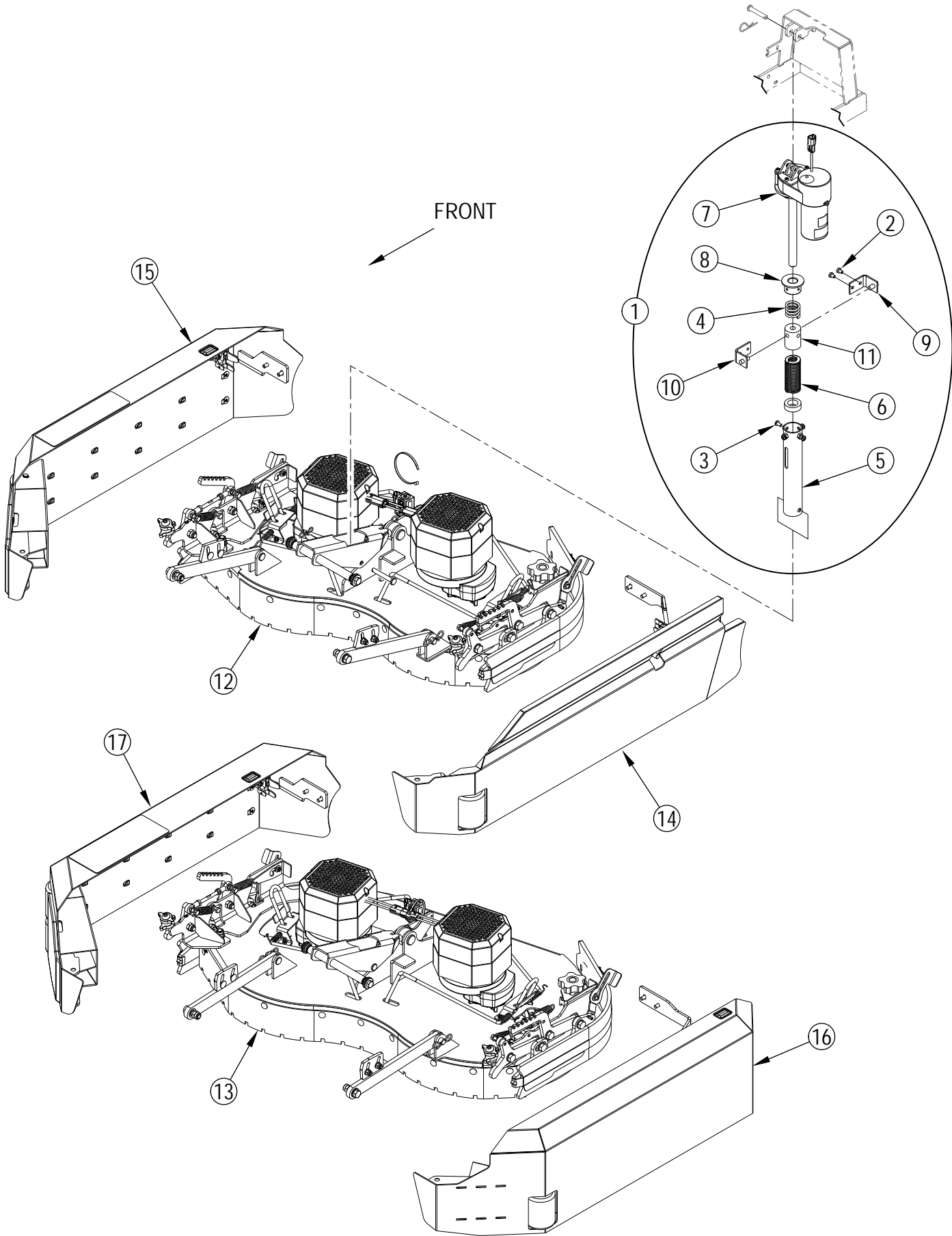
<u>Kit</u>	<u>Item</u>	<u>Ref. No.</u>	<u>Qty</u>	<u>Description</u>
K3	1		2	Screw M8x20 Hex Hd F/Thd
K3	2		2	Washer, Flat 8.4x16x1.6
K4	3		1	Latch Rotary
K5	4		1	Pin- Bow-Tie Cotter 7/16 - 1/2
	5	56116416	1	Door Weldment-Left-40d/36c
K3	6		1	Door Striker Weldment-Left
K4	7		1	Handle-Latch
K5	8		1	Pin-Clevis 12x120 Iso2341-B
K5	9		1	Wheel, Roller
K4	10		2	Screw M6x30 Hex Hd F/Thd Ss
K4	11		2	Nut, Hex Nyl Loc Thin M6 Ss

Service Kits

K3	56116898	1	Striker Kit-Left
K4	56116979	1	Latch Kit
K5	56116980	1	Roller Kit-Both Doors

SCRUB SYSTEM-DISC

FRONT



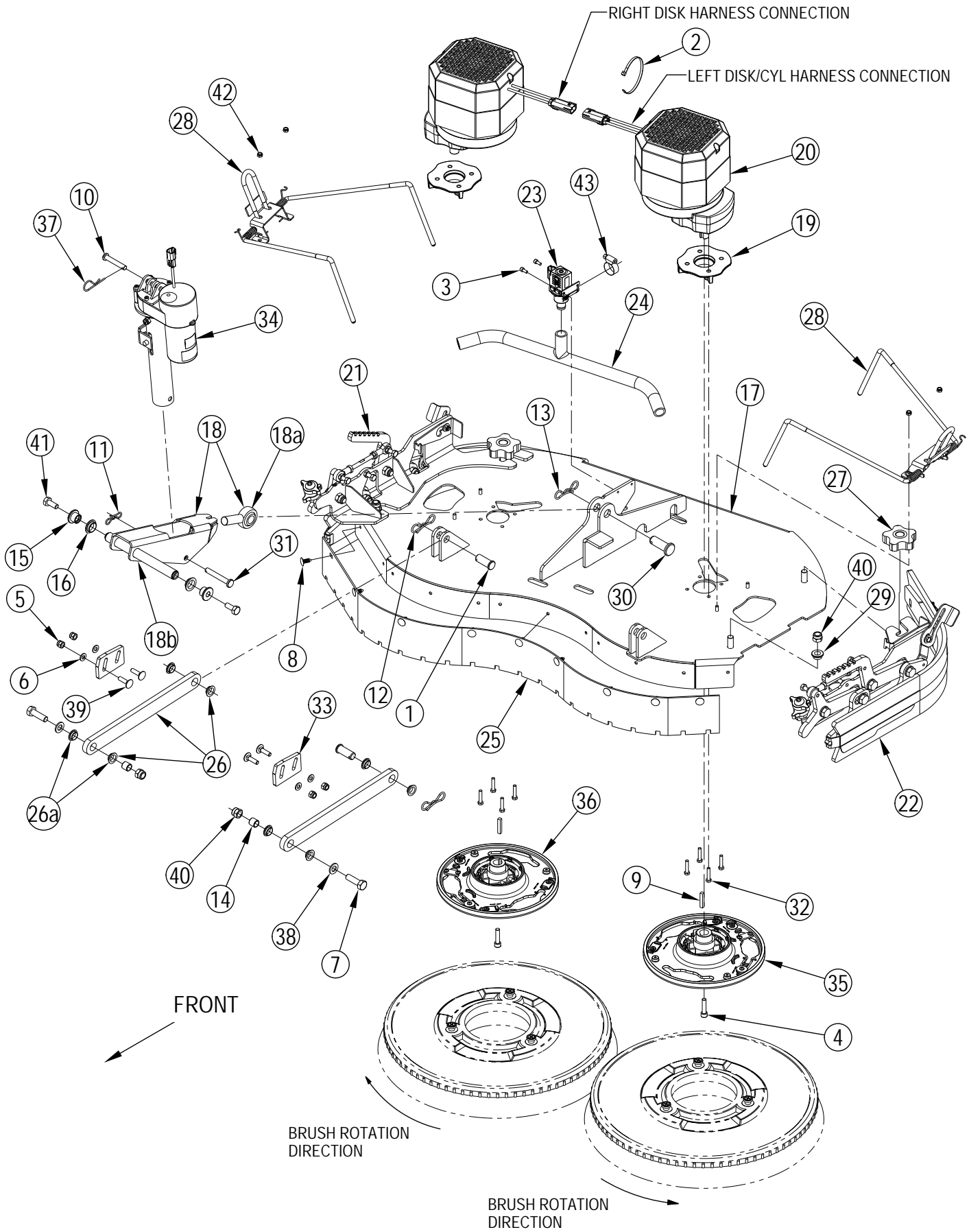
SCRUB SYSTEM-DISC

<u>Kit</u>	<u>Item</u>	<u>Ref. No.</u>	<u>Qty</u>	<u>Description</u>
	1		1	Complete Actuator Assembly (M7)
K1	2		2	Scr, Hex Thd Form 1/4-20 X0.38
K1	3		4	Scr, Pan Phil Thd Form 1/4-20x .50
K1	4		1	Spring-Compression 1.40x1.40in
K1	5		1	Spring Housing Weldment
K1	6		1	Spring-Compression-1.44x3.50 In
K1	7	56118041	1	Actuator Assembly-Heavy Duty
K1	8		1	Spring Housing Guide
K1	9		1	Nut Retainer
K1	10		1	Nut Retainer
K1	11	56388520	1	Nut, Plastic
	12		1	Disc Deck Assembly-34d
	13		1	Disc Deck Assembly-40d
	14		1	Door Assembly-Left-34d
	15		1	Door Assembly-Right-34d
	16		1	Door Assembly-Left-40d/36c (see pages 30-31)
	17		1	Door Assembly-Right-40d

Service Kits

K1	56118048	1	Spring Housing Kit-Actuator
----	----------	---	-----------------------------

SCRUB SYSTEM-DISC-DECK ASSEMBLY



SCRUB SYSTEM-DISC-DECK ASSEMBLY

Kit	Item	Ref. No.	Qty	Description	Kit	Item	Ref. No.	Qty	Description
K2	1		2	Pin D.16	K13	37		1	Hair Pin Cotter A2.5
K32	2		1	Clamp 290x4.8	K2	38		2	Washer, Flat 13.0x24.0x2.5 SS
K16	3		2	Screw Soc. Hd M5x12 SS	K10	39		4	Screw M8x30 Carriage Iso8677
K32	4		2	Screw Soc. Hd M8x35 SS	K2,K32	40		4	Nut, Hex Nyl Loc M12 S.S.
K10	5		4	Nut, Hex Nyl Loc Hvy M8	K1	41		2	Screw M10x25 Hex Hd F/Thd
K10	6		4	Washer, Flat 8.4x16x1.6	K32	42		4	Nut, Hex Nyl Loc Thin M6 SS
K2	7		2	Screw M12x40 Hex Hd F/Thd - 12k	K16	35		1	Clamp, Hose 15-24 Size8
K30	8		9	Rivet, Nylon Tree Push-In (.25)					
K32	9		2	Key, Square .25 X 1.44					
K13	10		1	Pin-Clevis .375 X 2.25					
K13	11		1	Pin- Bow-Tie Cotter 7/16 - 1/2					
K2	12		2	Pin-Bow Tie Cotter 5/8					
K1	13		1	Pin-Bow Tie Cotter 3/4					
K2	14		2	Bushing-12.5x16x14.48mm					
K1	15		2	Bushing-Lift Arm Pivot					
K1	16		2	Bearing-Flange-20x23x7mm					
	17	56116201	1	Scrub Deck Weldment-34d					
		56116200	1	Scrub Deck Weldment-40d					
K1	18		1	Deck Lift Arm Assembly					
K1	18a		1	Rod End-Spherical-18mm-Male					
K1	18b		1	Lift Arm Weldment					
	19	56116212	2	Spacer-Motor					
	20	56116213	2	Gearmotor-36vdc-250rpm-1.0hp (M1, M2)					
	[]	56422152	1	Kit, Wheel Drive Brushes					
	21	56116214	1	Side Blade Assembly-Right (pages 36-37)					
	22	56116215	1	Side Blade Assembly-Left (pages 36-37)					
K16,K17	23		1	Valve-Solenoid-36vdc (L1)					
	24	56116249	1	Hose-Solution Feed-Disc					
	25	56116252	1	Blade-Front-34d					
		56116250	1	Blade-Front-40d					
K2	26		2	Deck Trailing Arm Assembly					
K2	26a		8	Bearing-Flange-16x18x6mm					
	27	56116545	2	Knob-M12-Lobe					
	28	56116755	2	Click-On Assembly-34d					
		56116756	2	Click-On Assembly-40d					
K12	29		2	Bushing					
K1	30		1	Pin-Clevis 18x50 Iso2341-B					
K13	31		1	Pin-Clevis 10x70 Iso2341-B					
K32	32		8	Screw M6x30 Uni5737 SS					
K10	33		2	Plate-Stop					
	34		1	Actuator Assembly-Complete (pages 32-33) (M7)					
	35	56601276	1	Brush Plate Assy					
	36	56601384	1	Brush Plate Assy					

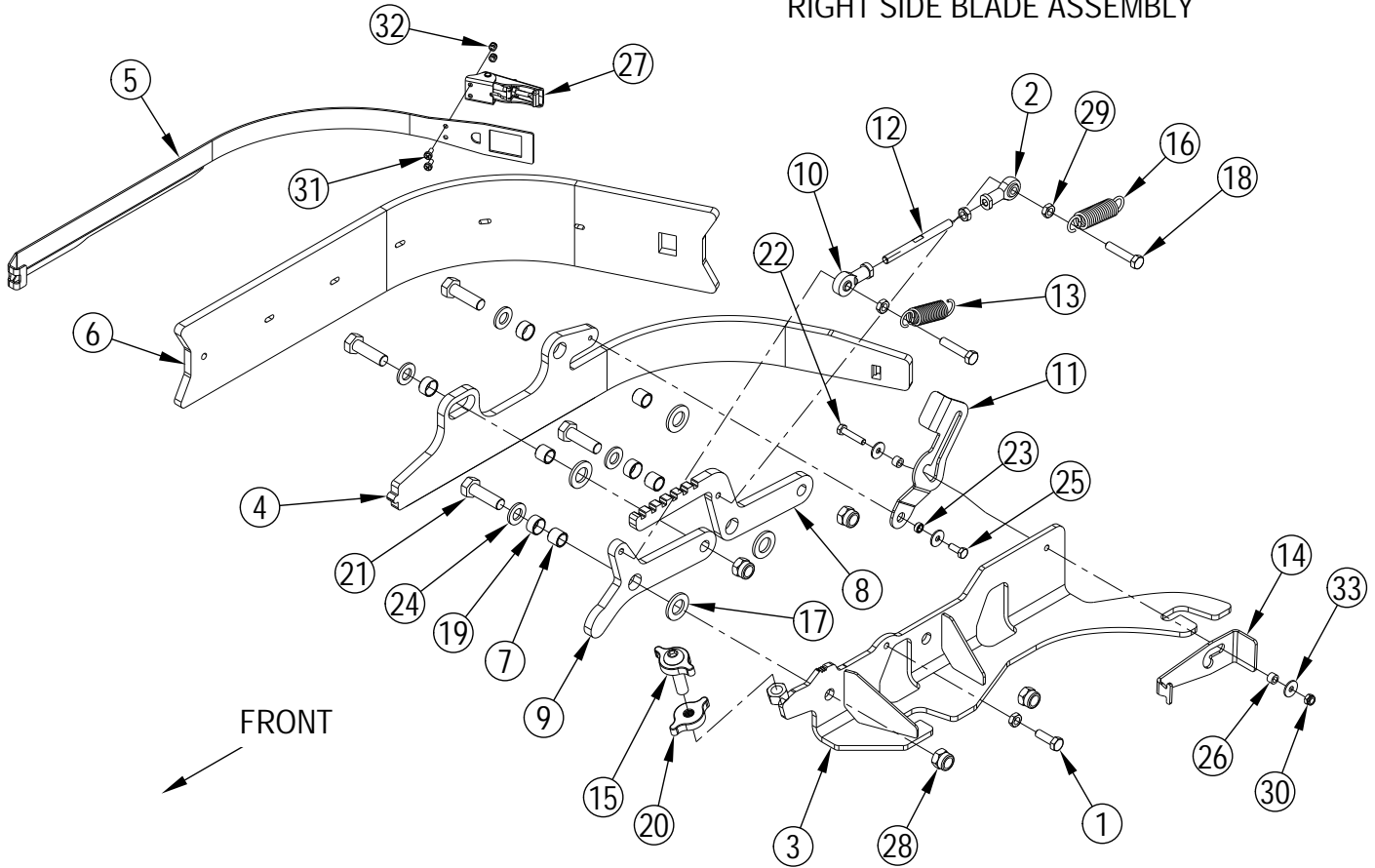
Service Kits

K1	56116881	1	Lift Arm Kit-Center
K2	56116882	1	Trailing Arm Kit
K10	56116928	1	Stop Kit-Both Sides
K12	56116982	1	Hardware Kit-Side Wiper
K13	56118038	1	Hardware Kit-Actuator
K16	56116875	1	Solenoid Valve Kit
K17	56116891	1	Solenoid Seal Kit
K30	56118050	1	Rivet Kit
K32	56116994	1	Hardware Kit-Disc Deck

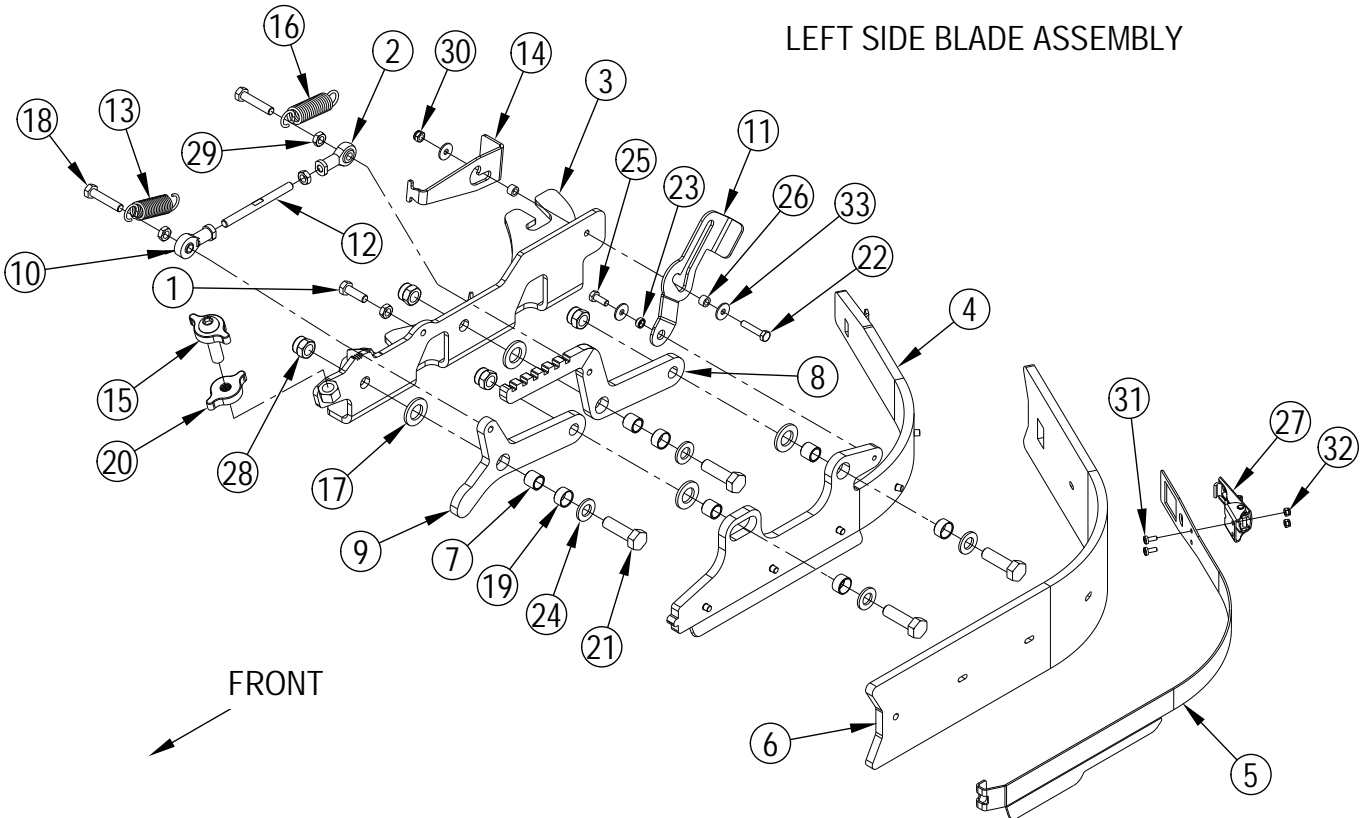
[] = Not Shown

SCRUB SYSTEM-DISC-SIDE BLADE ASSEMBLIES

RIGHT SIDE BLADE ASSEMBLY



LEFT SIDE BLADE ASSEMBLY



SCRUB SYSTEM-DISC-SIDE BLADE ASSEMBLIES

Kit	Item	Ref. No.	Qty	Description
		56116214	1	Side Blade Assembly-Right
K8,K12	1		1	Screw M8x25 Hex Hd F/Thd SS
K8	2		1	Joint M8
	3	56116216	1	Side Blade Mount Weldment-Rt
	4	56116222	1	Side Blade Support Weldt-Right
K31	5		1	Strap-Side Blade-Right
K14	6		1	Blade-Deck-Red Gum
K15	*		1	Blade-Deck-PU
K12	7		4	Bushing-Sleeve-.507x.625x.527
	8	56116233	1	Arm-Side Blade-Rear
	9	56116234	1	Arm-Side Blade-Front
K8	10		1	Rod End-M8-Lh
	11	56116236	1	Latch-Double Scrub-Right
K8	12		1	Rod-Threaded
	13	56116239	1	Spring-Extension-0.75x2.96in
	14	56116240	1	Clip-Spring Adjustment
K9	15		1	Knob Assembly
	16	56116846	1	Spring-Extension 0.75x3.00in
K12	17		4	Washer 17x30x3 Iso7089 SS
K8,K12	18		2	Screw M8x40 Uni5739 SS
K12	19		4	Bearing, .719 X .625 X .375
K9,K12	20		1	Knob
K12	21		4	Screw M12x40 A2 Din93
K12	22		1	Screw M6x30 Hex Hd F/Thd SS
K12	23		1	Spacer 6.5x10x4.5
K12	24		4	Washer, Flat 13.0x24.0x2.5 SS
K12	25		1	Screw M6x16 Hex Hd F/Thd SS
K12	26		2	Spacer 6.1 X 10 X 6.5
K31	27		1	Latch Squeegee
K12	28		4	Nut, Hex Nyl Loc M12 S.S.
K8,K12	29		4	Nut Hex M8 Uni5589 SS
K12	30		1	Nut, Hex Nyl Loc Thin M6 SS
K31	31		2	Scr, Pan Phil M4x10 Ss
K31	32		2	Nut, Hex Nyl Loc Thin M4 SS
K12	33		3	Washer Flat XI 6x18x1.5 - SS

Service Kits

K8	56116981	1	Level Adjust Kit-Side Wiper
K9	56116983	1	Knob Kit-Side Wiper
K12	56116982	1	Hardware Kit-Side Wiper
K14	56116706	1	Side Blade Kit-Red Gum
K15	56116709	1	Side Blade Kit-PU
K31	56116929	1	Strap Kit-Both Sides-Disc

* = Optional, Not Included

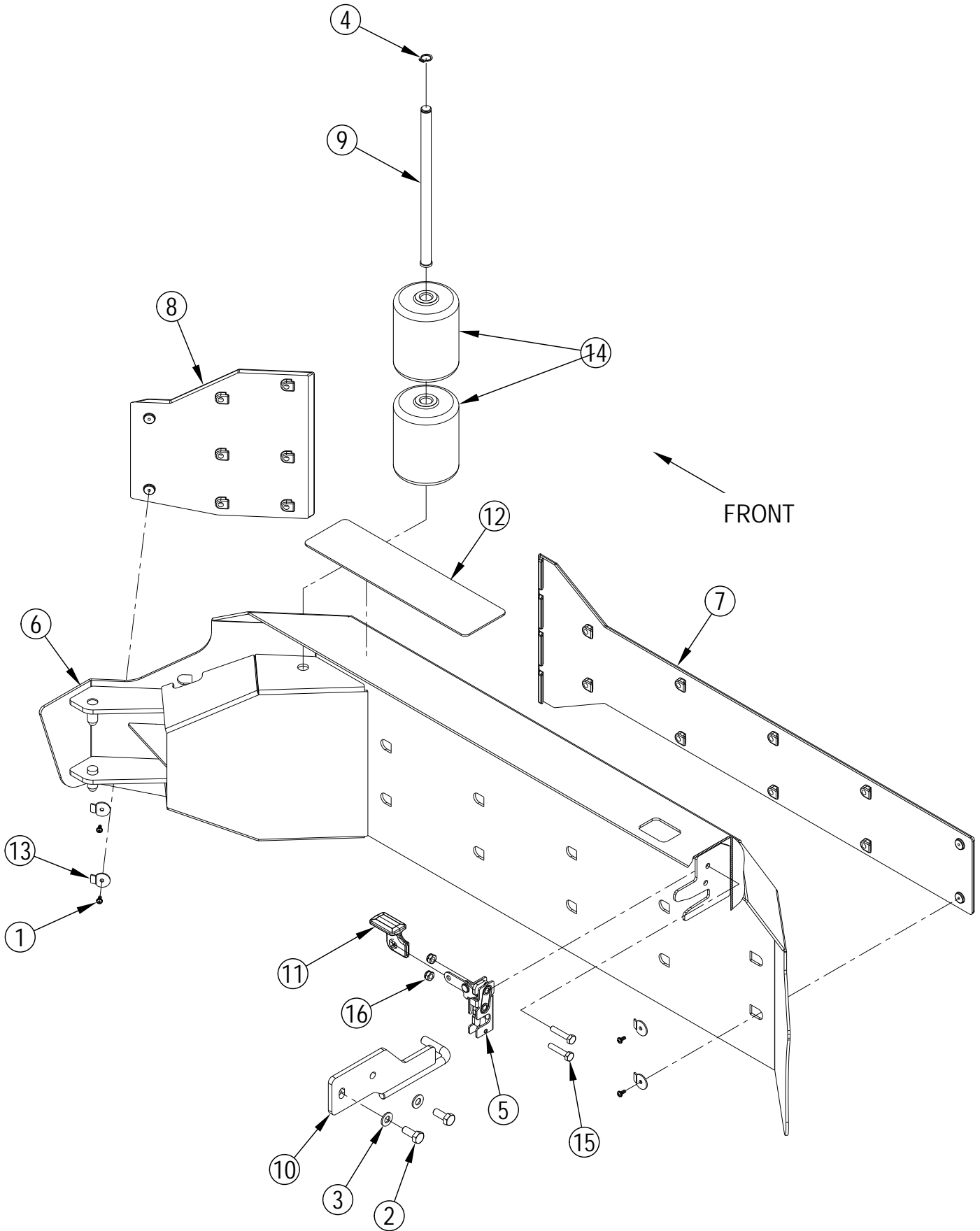
Kit	Item	Ref. No.	Qty	Description
		56116215	1	Side Blade Assembly-Left
K8,K12	1		1	Screw M8x25 Hex Hd F/Thd SS
K8	2		1	Joint M8
	3	56116217	1	Side Blade Mount Weldment-Left
	4	56116223	1	Side Blade Support Weldt-Left
K31	5		1	Strap-Side Blade-Left
K14	6		1	Blade-Deck-Red Gum
K15	*		1	Blade-Deck-PU
K12	7		4	Bushing-Sleeve- .507x.625x.527
	8	56116233	1	Arm-Side Blade-Rear
	9	56116234	1	Arm-Side Blade-Front
K8	10		1	Rod End-M8-Lh
	11	56116237	1	Latch-Double Scrub-Left
K8	12		1	Rod-Threaded
	13	56116239	1	Spring-Extension-0.75x2.96in
	14	56116240	1	Clip-Spring Adjustment
K9	15		1	Knob Assembly
	16	56116846	1	Spring-Extension 0.75x3.00in
K12	17		4	Washer 17x30x3 Iso7089 SS
K8,K12	18		2	Screw M8x40 Uni5739 SS
K12	19		4	Bearing, .719 X .625 X .375
K9,K12	20		1	Knob
K12	21		4	Screw M12x40 A2 Din93
K12	22		1	Screw M6x30 Hex Hd F/Thd SS
K12	23		1	Spacer 6.5x10x4.5
K12	24		4	Washer, Flat 13.0x24.0x2.5 SS
K12	25		1	Screw M6x16 Hex Hd F/Thd SS
K12	26		2	Spacer 6.1 X 10 X 6.5
K31	27		1	Latch Squeegee
K12	28		4	Nut, Hex Nyl Loc M12 S.S.
K8,K12	29		4	Nut Hex M8 Uni5589 SS
K12	30		1	Nut, Hex Nyl Loc Thin M6 SS
K31	31		2	Scr, Pan Phil M4x10 SS
K31	32		2	Nut, Hex Nyl Loc Thin M4 SS
K12	33		3	Washer Flat XI 6x18x1.5 - SS

Service Kits

K8	56116981	1	Level Adjust Kit-Side Wiper
K9	56116983	1	Knob Kit-Side Wiper
K12	56116982	1	Hardware Kit-Side Wiper
K14	56116706	1	Side Blade Kit-Red Gum
K15	56116709	1	Side Blade Kit-PU
K31	56116929	1	Strap Kit-Both Sides-Disc

* = Optional, Not Included

SCRUB SYSTEM-DISC-RIGHT DOOR ASSEMBLY-34D



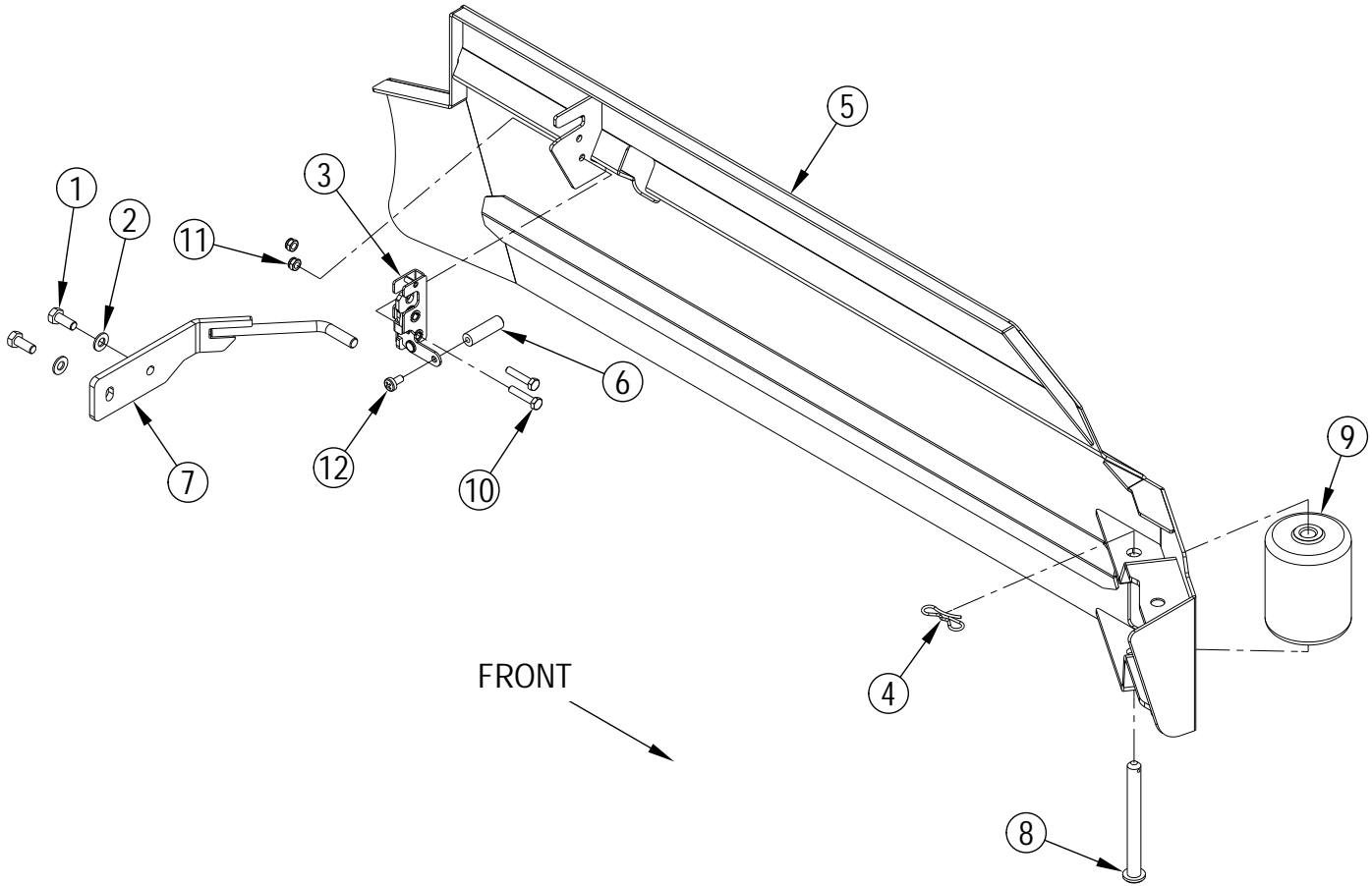
SCRUB SYSTEM-DISC-RIGHT DOOR ASSEMBLY-34D

<u>Kit</u>	<u>Item</u>	<u>Ref. No.</u>	<u>Qty</u>	<u>Description</u>
K7	1		4	Ejot 3.5x8 Wn1411
K6	2		2	Screw M8x20 Hex Hd F/Thd Iso4017
K6	3		2	Washer, Flat 8.4x16x1.6
K5	4		1	Shaft Ring D.12
K4	5		1	Latch Rotary
	6	56116417	1	Door Weldment-Right-34d
K7	7		1	Skid Plate-Right-34d
K7	8		1	Skid Plate-Right-Front-34d
K5	9		1	Pin-Door Roller
K6	10		1	Door Striker Weldment-Right
K4	11		1	Handle-Latch
	12	56116465	1	Mat-Door
K7	13		4	Washer-Tab
K5	14		2	Wheel, Roller
K4	15		2	Screw M6x30 Hex Hd F/Thd Ss Iso4017
K4	16		2	Nut, Hex Nyl Loc Thin M6 Ss

Service Kits

K4	56116979	1	Latch Kit
K5	56116980	1	Roller Kit-Both Sides
K6	56116899	1	Striker Kit-Right
K7	56116900	1	Skid Plate Kit

SCRUB SYSTEM-DISC-LEFT DOOR ASSEMBLY-34D



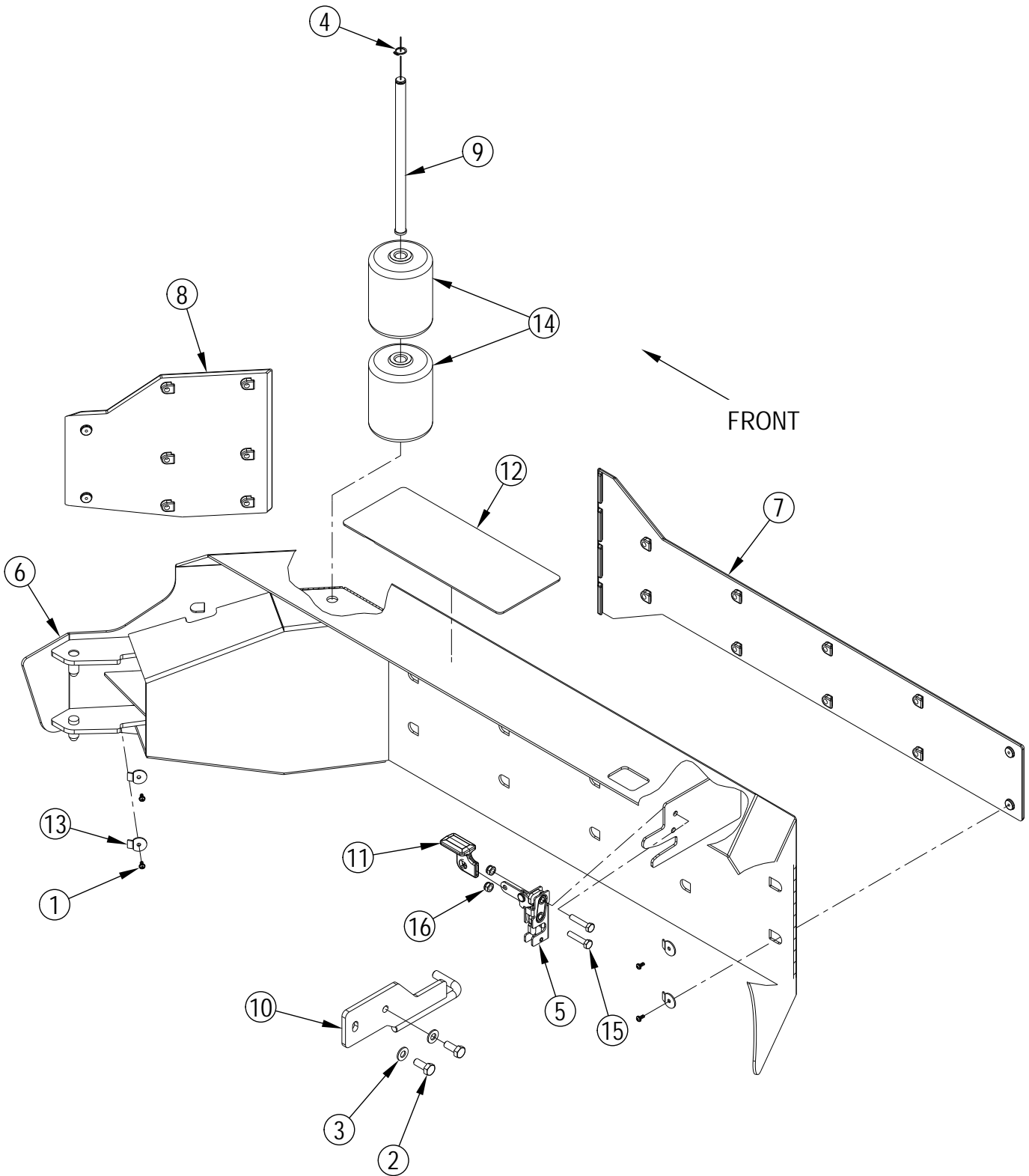
SCRUB SYSTEM-DISC-LEFT DOOR ASSEMBLY-34D

<u>Kit</u>	<u>Item</u>	<u>Ref. No.</u>	<u>Qty</u>	<u>Description</u>
K3	1		2	Screw M8x20 Hex Hd F/Thd
K3	2		2	Washer, Flat 8.4x16x1.6
K4	3		1	Latch Rotary
K5	4		1	Pin- Bow-Tie Cotter 7/16 - 1/2
	5	56116418	1	Door Weldment-Left-34d
K4	6		1	Handle-Latch
K3	7		1	Door Striker Weldment-Left
K5	8		1	Pin-Clevis 12x120 Iso2341-B
K5	9		1	Wheel, Roller
K4	10		2	Screw M6x30 Hex Hd F/Thd Ss
K4	11		2	Nut, Hex Nyl Loc Thin M6 Ss
K4	12		1	Scr, Pan Phil M6x12

Service Kits

K3	56116898	1	Striker Kit-Left
K4	56116979	1	Latch Kit
K5	56116980	1	Roller Kit-Both Sides

SCRUB SYSTEM-DISC-RIGHT DOOR ASSEMBLY-40D



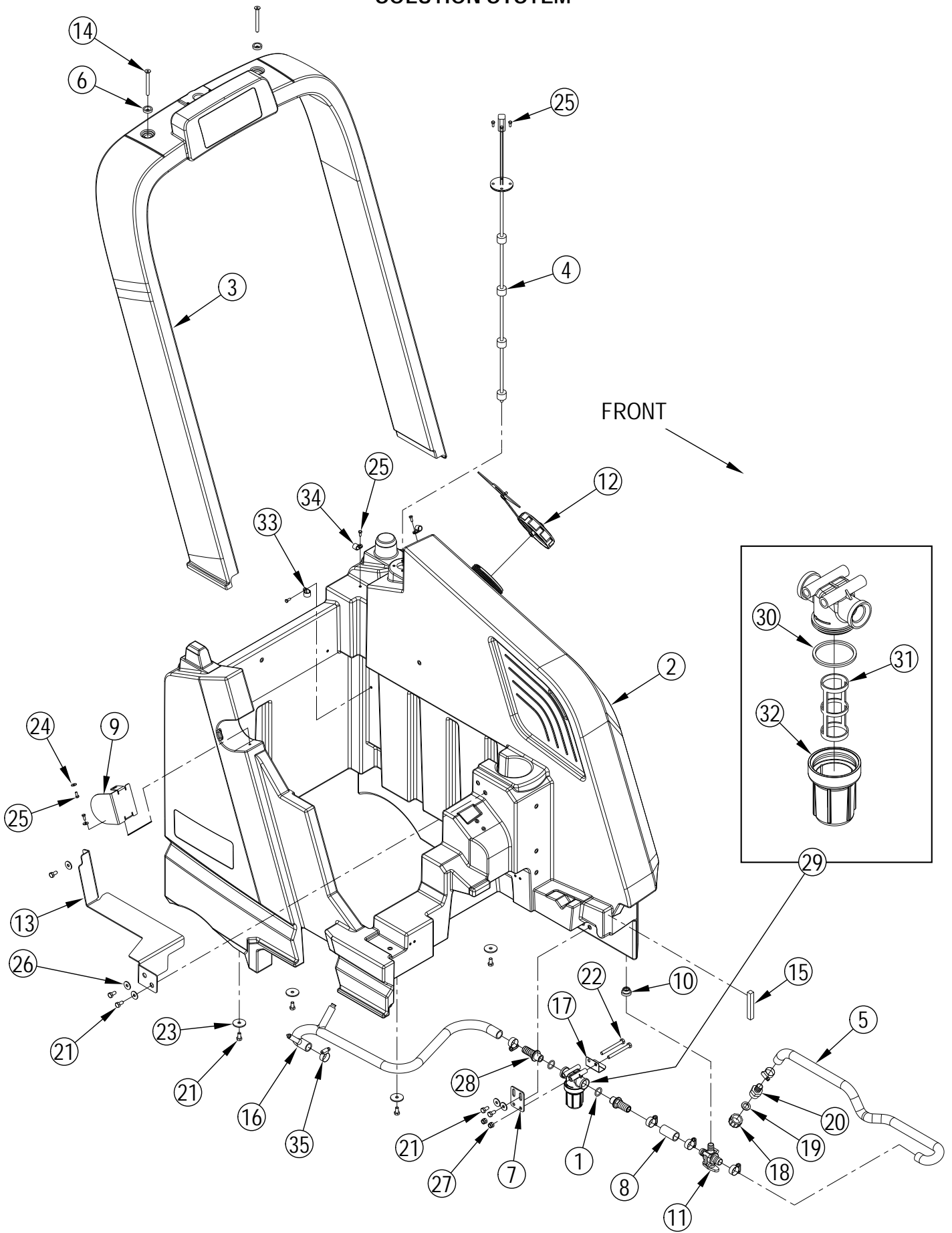
SCRUB SYSTEM-DISC-RIGHT DOOR ASSEMBLY-40D

<u>Kit</u>	<u>Item</u>	<u>Ref. No.</u>	<u>Qty</u>	<u>Description</u>
K7	1		4	Ejot 3.5x8 Wn1411
K6	2		2	Screw M8x20 Hex Hd F/Thd
K6	3		2	Washer, Flat 8.4x16x1.6
K5	4		1	Shaft Ring D.12
K4	5		1	Latch Rotary
	6	56116415	1	Door Weldment-Right-40d
K7	7		1	Skid Plate-Right-34d
K7	8		1	Skid Plate-Right-Front-36c
K5	9		1	Pin-Door Roller
K6	10		1	Door Striker Weldment-Right
K4	11		1	Handle-Latch
	12	56116720	1	Mat-Door
K7	13		4	Washer-Tab
K5	14		2	Wheel, Roller
K4	15		2	Screw M6x30 Hex Hd F/Thd Ss
K4	16		2	Nut, Hex Nyl Loc Thin M6 Ss

Service Kits

K4	56116979	1	Latch Kit
K5	56116980	1	Roller Kit-Both Sides
K6	56116899	1	Striker Kit-Right
K7	56116900	1	Skid Plate Kit

SOLUTION SYSTEM



SOLUTION SYSTEM

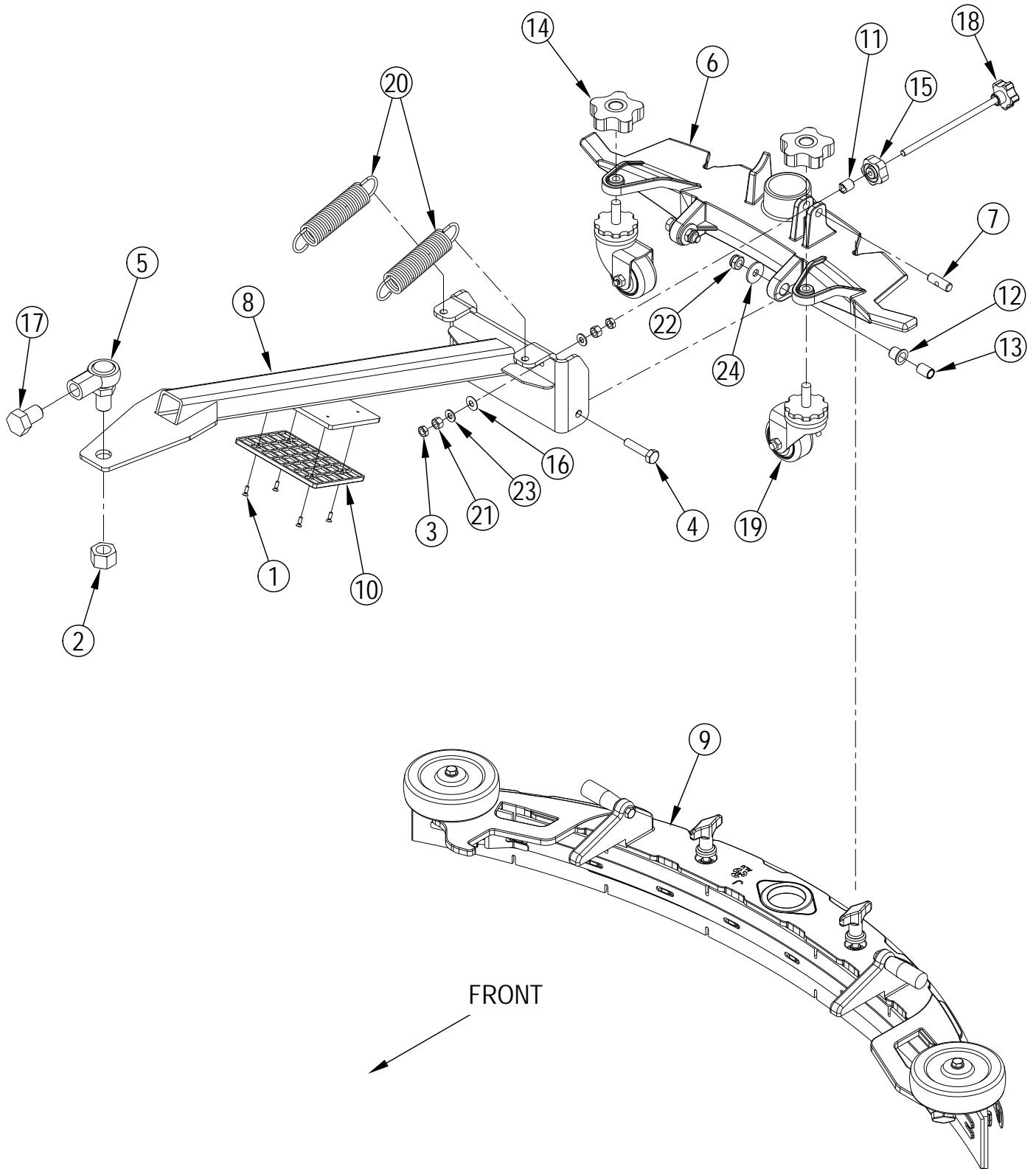
Kit	Item	Ref. No.	Qty	Description
K2	1		2	Gasket, O-Ring 20 - 3
	2	56116083	1	Tank-Solution
	3	56116101	1	Cross Bar
	4	56116372	1	Sensor-Solution Level (S7)
K1	5		1	Hose-Drain
K3	6		2	Washer-Cosmetic-Ss-M8
	7	56116658	1	Bracket-Filter Mount
	8	56116664	1	Hose-20x26x52mm
	9	56116666	1	Panel-Cover
	10	56116721	1	Grommet-.59x.78x.62
	11	56116759	1	Valve-Ball- 5/8x3/4in Brb
	12	56116763	1	Solution Cap Assembly
	[]	56116683	1	Gasket-Solution Cap
	13	56116790	1	Support-Seat
K3	14		2	Screw M8x80 Din7991 Ss Black
	15	56116931	1	Seal-Tank Gap
	16	56116934	1	Hose-Manifold Assembly
K2	17		1	Clip-Drain Hose
K1	18		1	Cap, Pipe Ght Nylon
K1	19		1	Washer-Rubber
K1	20		1	Barb, Adapter 3/4 X 3/4ght
K3	21		9	Screw M8x16 Hex Hd F/Thd Ss Iso4017
K2	22		2	Screw M8x80 Hex Hd F/Thd Iso4017
K3	23		4	Washer Flat XI 8.5x36.0x3.0
K3	24		2	Washer Flat XI 5.5x15.0x1.6 Ss
K3	25		9	Screw M5x12 Hex Hd F/Thd Iso4017
K3	26		5	Washer 8x24x2 Uni6593 Ss
K2	27		2	Nut, Hex Nyl Loc M8 Ss
K2	28		2	Elbow Ø20
K2	29		1	Filter Water
	30	9097943000	1	Gasket
	31	9097944000	1	Screen-Filter
	32	9097945000	1	Cap with Seal-Solution Filter
K3	33		1	Clamp Cable D.16
K3	34		2	Clamp, Cable Ø12.7
K1,K2,K3	35		6	Clamp, Hose 15-24 Size8

Service Kits

K1	56116923	1	Drain Hose Kit
K2	56116924	1	Filter Kit
K3	56116925	1	Hardware Kit-Solution System

[] = Not Shown

SQUEEGEE SYSTEM

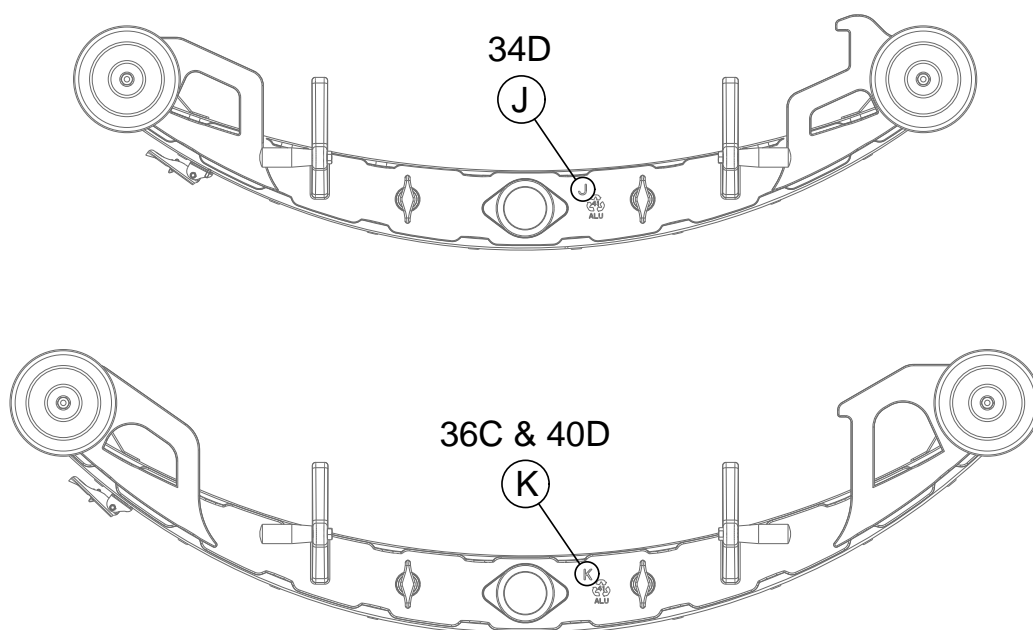


SQUEEGEE SYSTEM

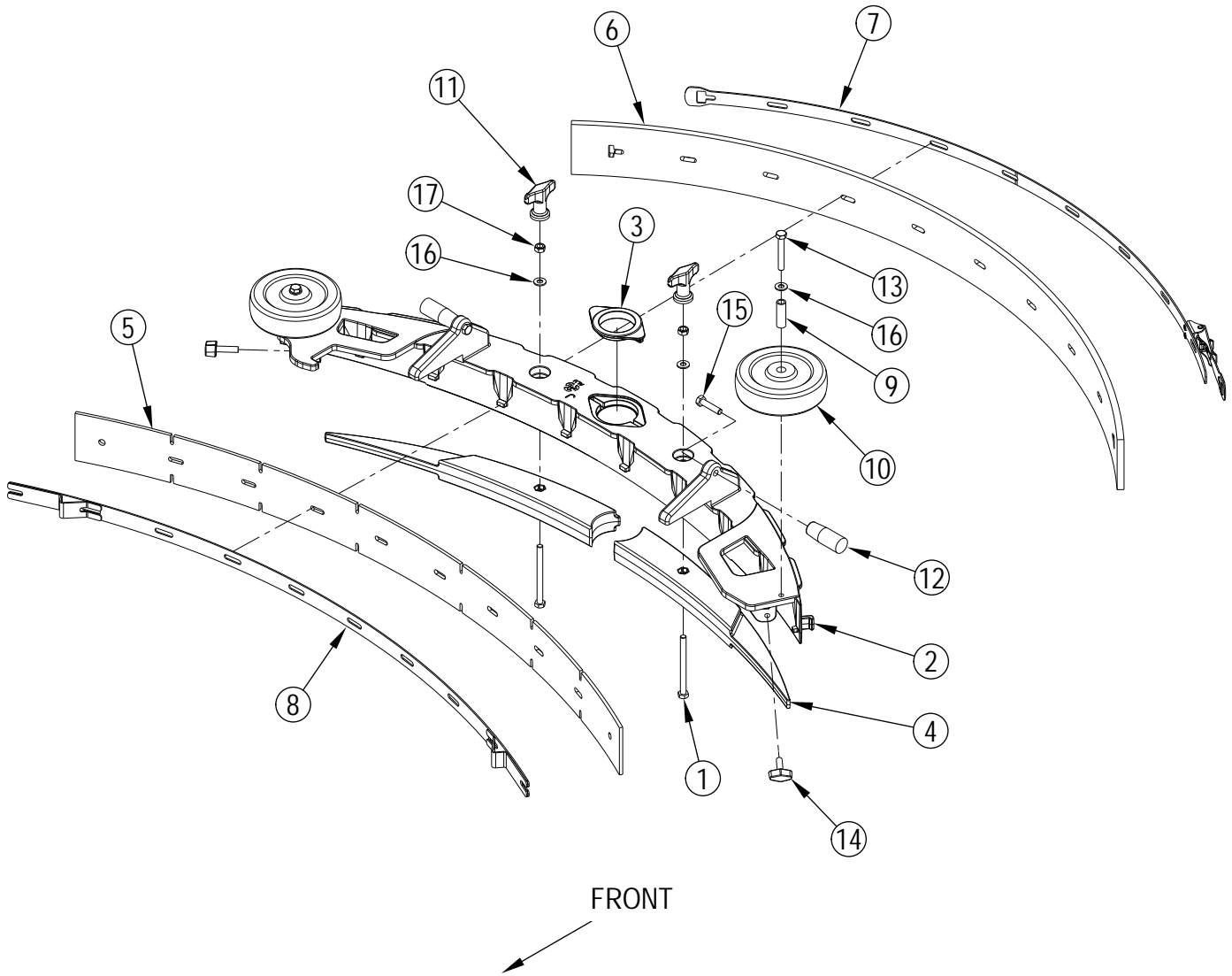
Kit	Item	Ref. No.	Qty	Description
K2	1		4	Countersunk Screw M4x12
K3	2		1	Nut, Hex Hvy M20x1,5
K1	3		2	Nut, Hex Thin M8
K6	4		2	Screw M10x45 Hex Hd F/Thd Ss Iso4017
K3	5		1	Rod End-20mm
	6	56116393	1	Mount-Squeegee
K1	7		1	Pin-Squeegee Tilt
	8	56116398	1	Squeegee Arm Weldment
	9	56116399	1	Squeegee Assembly-J 34D Disc Model / Includes Red Gum Rubber Blades
		56116400	1	Squeegee Assembly-K 36C Cylindrical Model & 40D Disc Model / Includes Red Gum Rubber Blades
K2	10		1	Wear Plate-Squeegee
K1	11		1	Spacer-Squeegee Tilt
K6	12		2	Bearing-Flange-14x16x17mm
K6	13		2	Bushing
	14	56116545	2	Knob-M12-Lobe
K1	15		1	Knob-M8-Lobe Short
K1	16		1	Washer-Bevel-8.2x20x0.7x1.35mm
K3	17		1	Screw M20x1.5x30 Uni5740 SS
K1	18		1	Tilt Rod Assembly
	19	56116907	2	Caster Assembly
	20	56116974	2	Spring-Extension
K1	21		2	Nut Hex Hvy M8
K6	22		2	Nut M10 Hex Loc Thin Ss Iso 10511
K1	23		2	Washer, Flat 8x17x1.6 SS
K6	24		2	Washer Flat XI 10x30x2.5-SS

Service Kits

K1	56116894	1	Squeegee Tilt Adjuster Kit
K2	56116895	1	Squeegee Wear Plate Kit
K3	56116896	1	Squeegee Mount Rod End Kit
K6	56116893	1	Hardware Kit-Squeegee



SQUEEGEE SYSTEM-SQUEEGEE ASSY J-34D



SQUEEGEE SYSTEM-SQUEEGEE ASSY J-34D

<u>Kit</u>	<u>Item</u>	<u>Ref. No.</u>	<u>Qty</u>	<u>Description</u>
K5	1		2	Scr-Hex Thd/Hd Ss 5/16-18x3.75
	2	56116378	1	Squeegee-J
	3	56116388	1	Seal-Squeegee
	4	56116491	2	Insert-Squeegee Airflow-J
K7	5		1	Blade-Squeegee Fr-Red Gum-J NOTE 1
K7	6	56116493	1	Blade-Squeegee-Red Gum-Rr-J NOTE 1
K9	*		1	Blade-Squeegee-PU J-Front NOTE 1
K9	*	56116702	1	Blade-Squeegee-PU J-Rear NOTE 1
	7	56116497	1	Squeegee Strap Assembly-Rr-J
	8	56116498	1	Squeegee Strap Weldment-Fr-J
K4	9		2	Bushing-.344x.500x1.56in
K4	10		2	Wheel 5.00 X 1.50
K5	11		2	Nut Thumb
K5	12		2	Handle Lever
K4	13		2	Screw M8x55 Hex Hd F/Thd Ss Iso4017
K5	14		2	Knob M8x30 Stainless Steel
K5	15		2	Screw M8x35 Hex Hd F/Thd Ss Iso4017
K4,K5	16		4	Washer, Flat 8x17x1.6 Ss
K5	17		2	Nut Self L. 5/16 Unc Ss

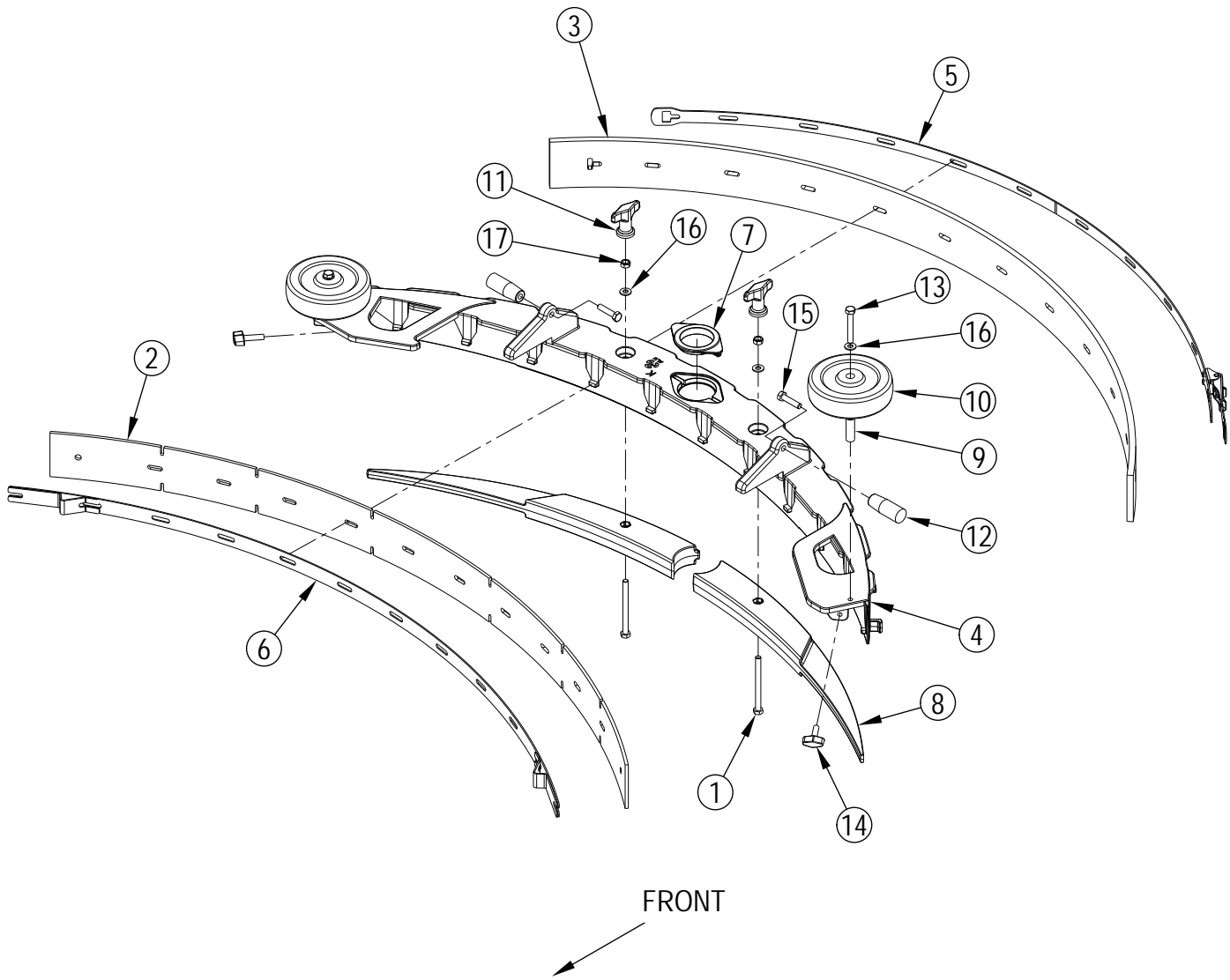
Service Kits

K4	56116911	1	Squeegee Roller Kit-Both
K5	56116912	1	Squeegee Knob Kit
K7	56116704	1	Squeegee Blade Kit-Red Gum J
K9	56116707	1	Squeegee Blade Kit-PU J

* = Optional, Not Included

NOTE 1: All squeegee blade kits include both front and rear squeegee blades.

SQUEEGEE SYSTEM-SQUEEGEE ASSY K-36C & 40D



SQUEEGEE SYSTEM-SQUEEGEE ASSY K-36C & 40D

<u>Kit</u>	<u>Item</u>	<u>Ref. No.</u>	<u>Qty</u>	<u>Description</u>
K5	1		2	Scr-Hex Thd/Hd Ss 5/16-18x3.75
K8	2		1	Blade-Squeegee-Red Gum K-Fr NOTE 1
K8	3	56116376	1	Blade-Squeegee-Red Gum-Rr-K NOTE 1
K10	*		1	Blade-Squeegee-PU K-Front NOTE 1
K10	*	56116700	1	Blade-Squeegee-PU K-Rear NOTE 1
	4	56116379	1	Squeegee-K
	5	56116381	1	Squeegee Strap Assembly-Rr-K
	6	56116382	1	Squeegee Strap Weldment-Fr-K
	7	56116388	1	Seal-Squeegee
	8	56116492	2	Insert-Squeegee Airflow-K
K4	9		2	Bushing-.344x.500x1.56in
K4	10		2	Wheel 5.00 X 1.50
K5	11		2	Nut Thumb
K5	12		2	Handle Lever
K4	13		2	Screw M8x55 Hex Hd F/Thd Ss Iso4017
K5	14		2	Knob M8x30 Stainless Steel
K5	15		2	Screw M8x35 Hex Hd F/Thd Ss Iso4017
K4,K5	16		4	Washer, Flat 8x17x1.6 Ss
K5	17		2	Nut Self L. 5/16 Unc Ss

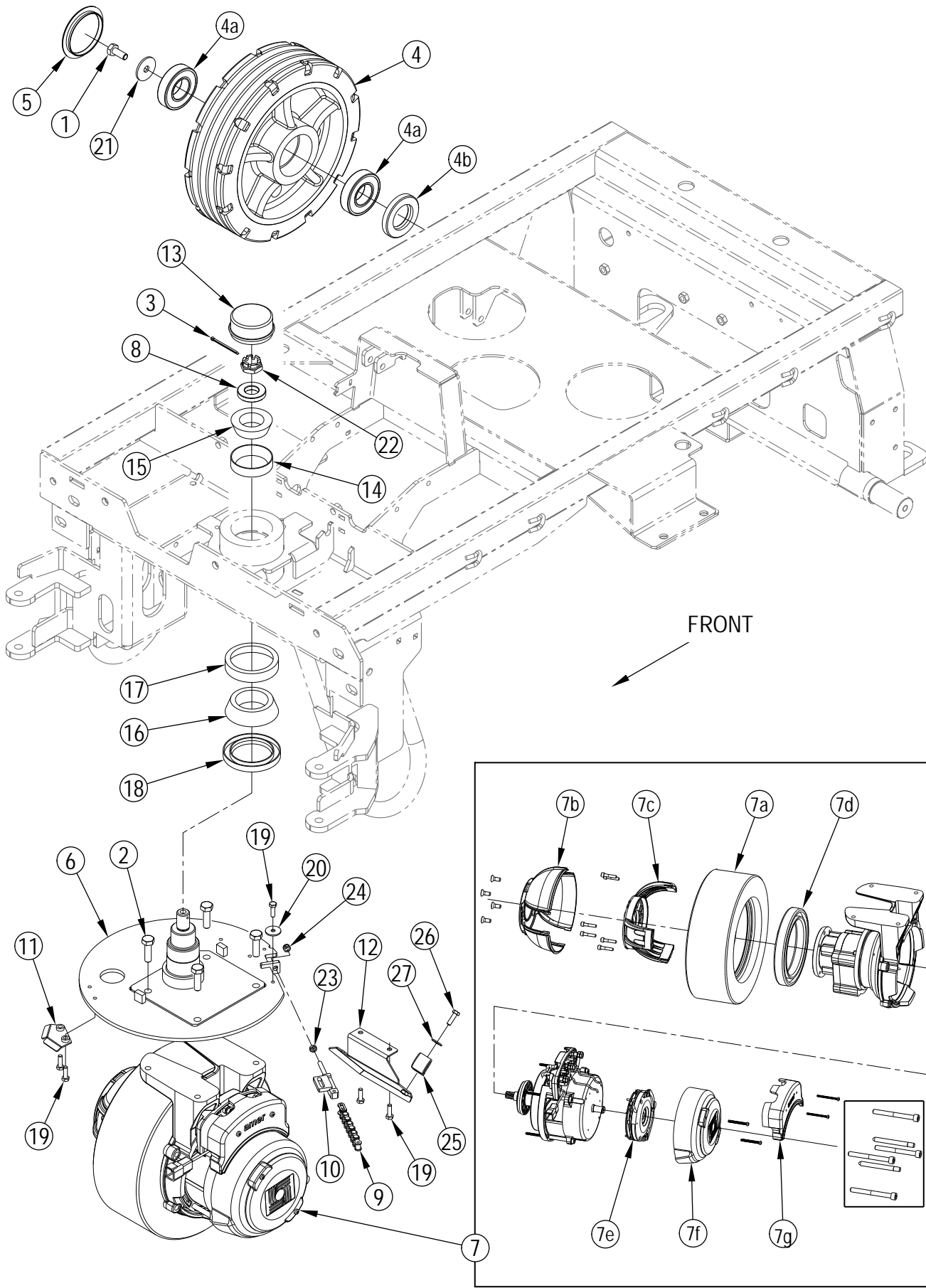
Service Kits

K4	56116911	1	Squeegee Roller Kit-Both
K5	56116912	1	Squeegee Knob Kit
K8	56116705	1	Squeegee Blade Kit-Red Gum K
K10	56116708	1	Squeegee Blade Kit-PU K

* = Optional, Not Included

NOTE 1: All squeegee blade kits include both front and rear squeegee blades.

WHEEL SYSTEM



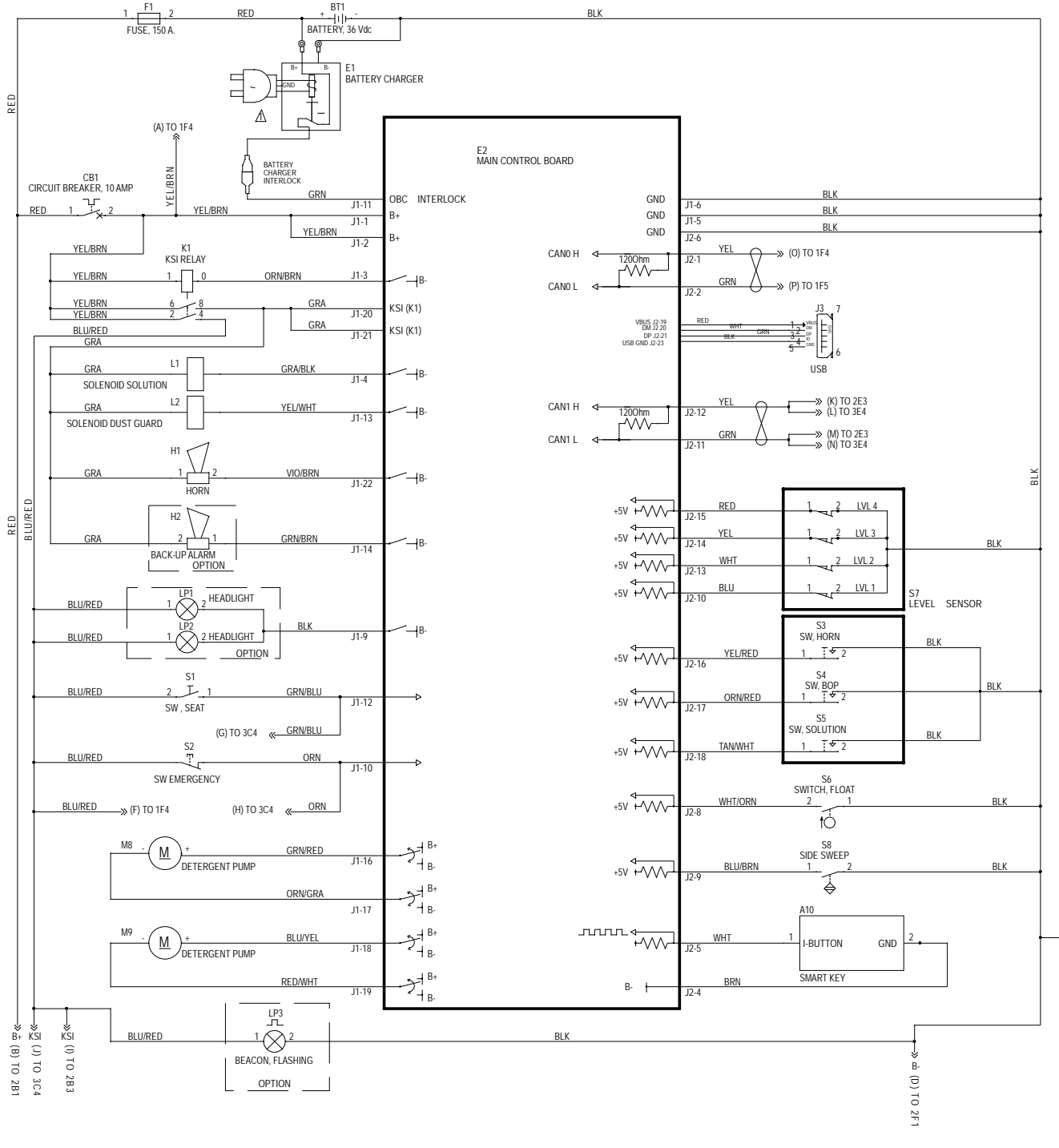
WHEEL SYSTEM

<u>Kit</u>	<u>Item</u>	<u>Ref. No.</u>	<u>Qty</u>	<u>Description</u>
K3,K4,K5	1		2	Screw M10x25 Hex Hd F/Thd
K5	2		4	Screw M10x35 Hex Hd F/Thd
K2,K5	3		1	Pin Cotter 3 X 50 Iso 1324
K4	4		2	Wheel-Rear-Pu 12x3.5in
K3	4a		2	Bearing-Ball-1.378x2.835x.669
K3	4b		1	Seal-Oil
K3,K4	5	56116032	2	Cap-Hub
	6	56116305	1	Spindle Plate Weldment
	7	56116309	1	Wheel-Drive-12in (M11)
	7a	56116039	1	Wheel-Drive 12in
	7b	56116806	1	Cover-Drive Coupler
	7c	56116807	1	Drive Coupler
	7d	56116809	1	Bearing-Drive Wheel
	7e	56116810	1	Brake
	7f	56116811	1	Cover-Brake
	7g	56116812	1	Cover-Terminal
K2	8		1	Washer-22x44x8mm
K1	9		1	Chain-Roller
K1	10		1	Chain Tensioner Weldment
K1	11		1	Chain Guide Weldment
	12	56116936	1	Bracket-Wire Guide
K2	13	56483135	1	Cap, Grease
K2	14		1	Bearing, Cup
K2	15		1	Bearing, Cone
K2	16		1	Bearing, Cone
K2	17		1	Bearing, Cup
K2	18		1	Seal, Radial Lip
K1,K5	19		5	Screw M6x20 Hex Hd F/Thd Ss
K1,K5	20		1	Washer Flat XI 6.6x24.0x2.0 Ss
K3,K4,K5	21		2	Washer Flat XI 11.0x40.0x3.0
K2,K5	22		1	Nut Hex M20x1.5 Uni5594
K1	23		1	Nut Hex M6 Uni5589 Ss
K1	24		1	Nut, Hex Nyl Loc Thin M6 Ss
K5	25		1	Clamp, Hose Support
K5	26		6	Screw M6x20 Hex Hd F/Thd Ss
K5	27		1	Washer Flat XI 6x18x1.5 - Ss

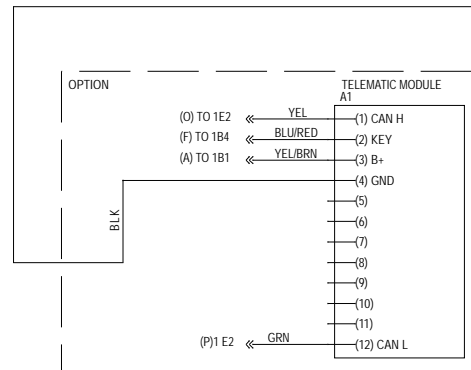
Service Kits

K1	56116916	1	Steering Chain Kit
K2	56116918	1	Spindle Bearing Kit
K3	56116033	1	Bearing Kit-Rear Wheel
K4	56116919	1	Rear Wheel Kit
K5	56116917	1	Hardware Kit-Wheel System

LADDER DIAGRAM-1



Ladder Diagram 56116048 REV B



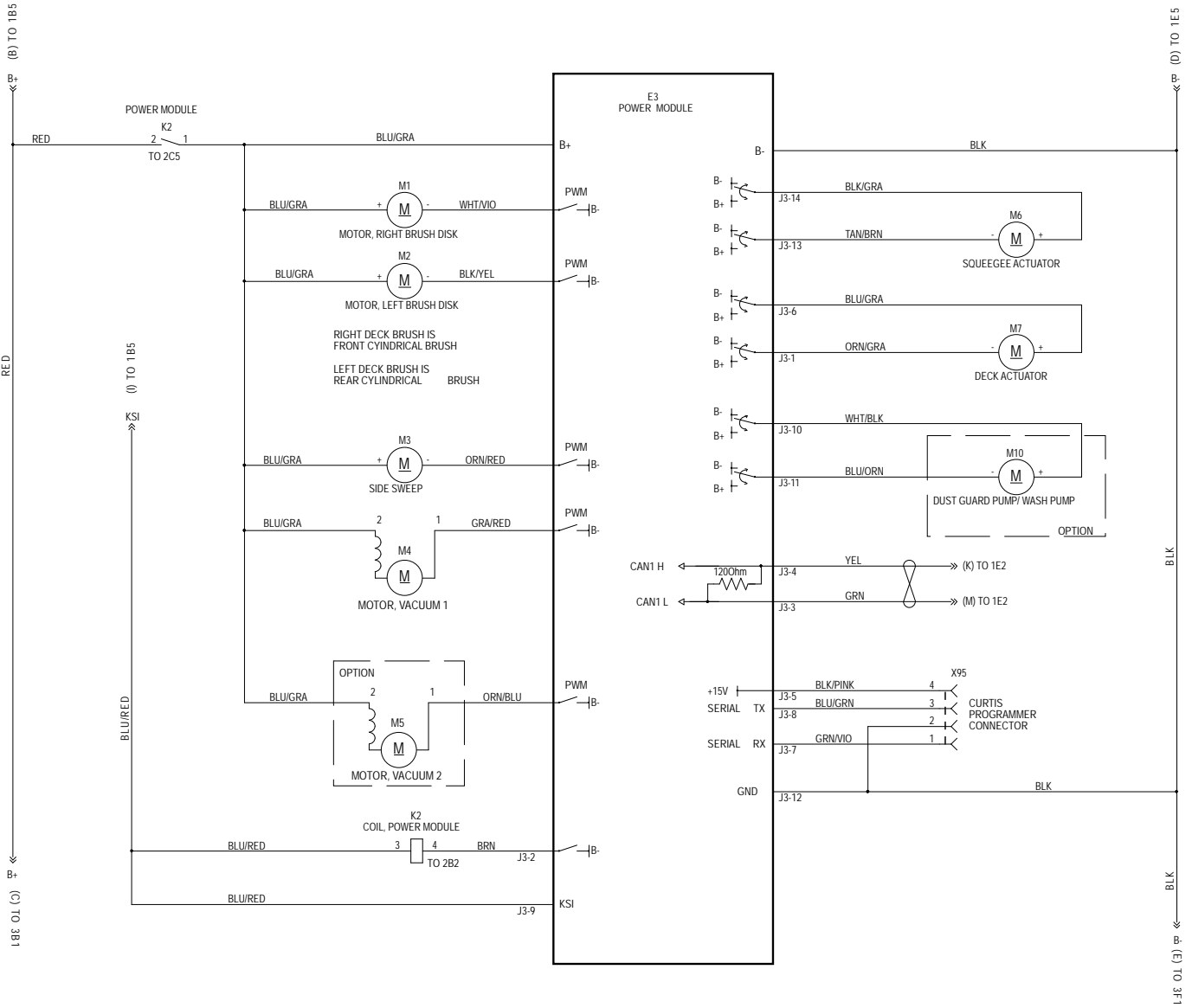
LADDER DIAGRAM-1

Kit	Item	Ref. No.	Qty	Description
	A1		1	Telematics Module (Optional)
	A10	56116518	1	Smart Key
	A11	56601052	1	Foot Pedal
	BT1	N/A	1	Battery 36VDC
	CB1	56507644	1	10amp Breaker
	E1	56315774	1	Battery Charger (Optional)
	E2	56116054	1	Main Control Board Assy
	E3	56116087	1	Power Module
	E4	56116131	1	Wheel Drive Controller
	F1	56115432	1	150 Amp Fuse
	H1	56116375	1	Horn
	H2	56116374	1	Back-Up Alarm (Optional)
	J3	56116601	1	USB (Optional)
	K1	40892A	1	Main Relay
	K2	56303198	1	Power Module Contactor
	K3	56303198	1	Speed Controller Contactor
	L1	56116248	1	Solenoid Valve
	L2	56116975	1	Valve-Solenoid-36VDC (Optional)
	LP1	56383032	1	Headlight (Optional)
	LP2	56383032	1	Headlight (Optional)
	LP3	56116353	1	Beacon, Flashing (Optional)
	M1	56116159	1	Motor, Right Brush Disc
	M2	56116159	1	Motor, Left Brush Disc
	M3	56116761	1	Side Sweep (Optional)
	M4	56116105	1	Motor, Vacuum 1
	M5	56116105	1	Motor, Vacuum 2 (Optional)
	M6	56116781	1	Squeegee Actuator
	M7		1	Deck Actuator
	M8	56110742	1	Detergent Pump
	M9	56110742	1	Detergent Pump
	M10	56116767	1	Dust Guard Pump/ Wash Pump (Optional)
	M11	56116309	1	Drive Motor
	S1	7-82-00050	1	SW, Seat
	S2	56104247	1	SW, Emergency
	S3	56104405	1	SW, Horn
	S4	56104405	1	SW, Bop
	S5	56104405	1	SW, Solution
	S6	56116842	1	Switch, Float
	S7	56116372	1	Level Sensor
	S8	56116784	1	Side Sweep (Optional)

Color Codes

BLK	Black
BLU	Blue
BRN	Brown
GRA	Gray
GRN	Green
ORN	Orange
PINK	Pink
RED	Red
TAN	Tan
VIO	Violet
WHT	White
YEL	Yellow

LADDER DIAGRAM-2



Ladder Diagram 56116048 REV B

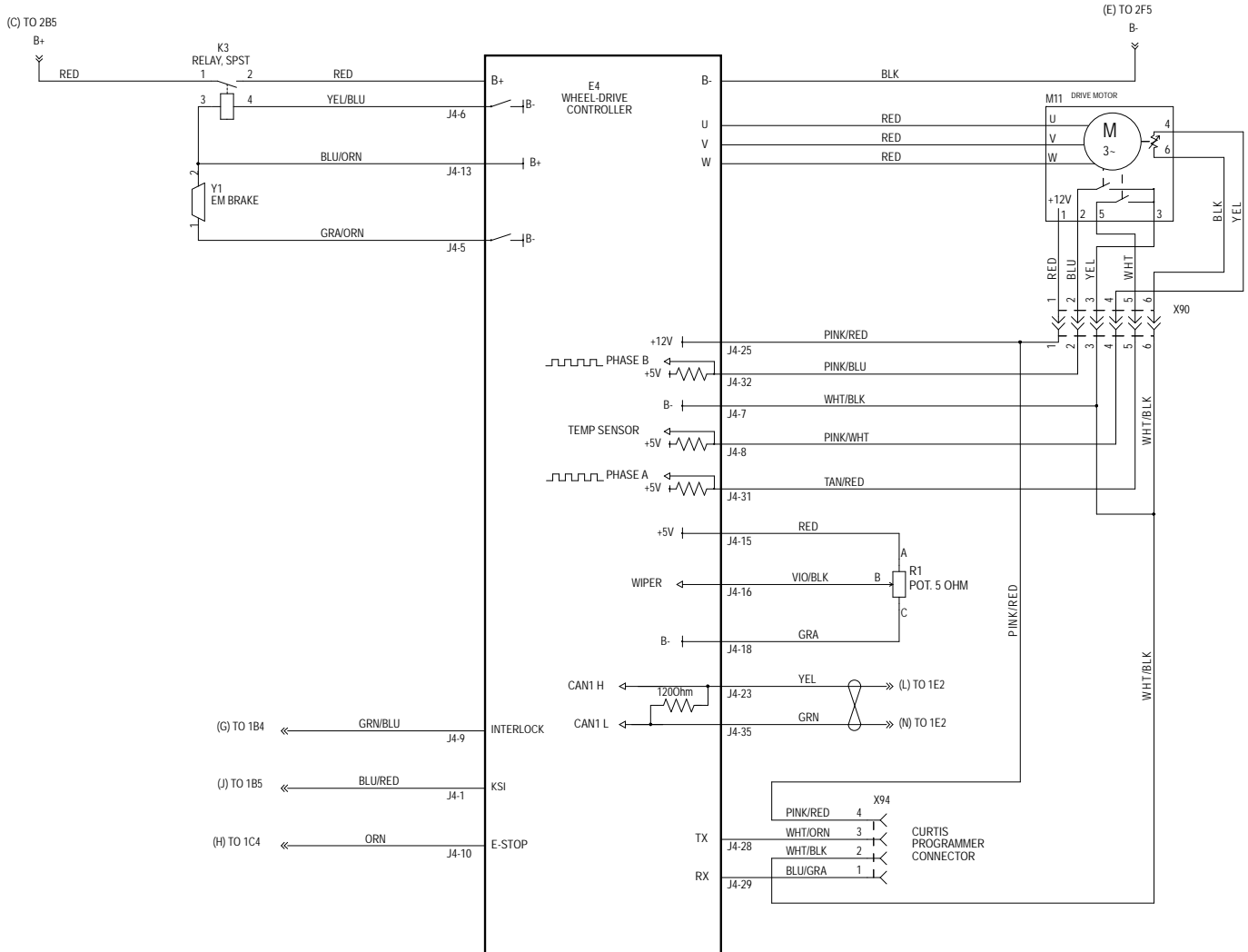
LADDER DIAGRAM-2

Kit	Item	Ref. No.	Qty	Description
	A1		1	Telematics Module (Optional)
	A10	56116518	1	Smart Key
	A11	56601052	1	Foot Pedal
	BT1	N/A	1	Battery 36VDC
	CB1	56507644	1	10amp Breaker
	E1	56315774	1	Battery Charger (Optional)
	E2	56116054	1	Main Control Board Assy
	E3	56116087	1	Power Module
	E4	56116131	1	Wheel Drive Controller
	F1	56115432	1	150 Amp Fuse
	H1	56116375	1	Horn
	H2	56116374	1	Back-Up Alarm (Optional)
	J3	56116601	1	USB (Optional)
	K1	40892A	1	Main Relay
	K2	56303198	1	Power Module Contactor
	K3	56303198	1	Speed Controller Contactor
	L1	56116248	1	Solenoid Valve
	L2	56116975	1	Valve-Solenoid-36VDC (Optional)
	LP1	56383032	1	Headlight (Optional)
	LP2	56383032	1	Headlight (Optional)
	LP3	56116353	1	Beacon, Flashing (Optional)
	M1	56116159	1	Motor, Right Brush Disc
	M2	56116159	1	Motor, Left Brush Disc
	M3	56116761	1	Side Sweep (Optional)
	M4	56116105	1	Motor, Vacuum 1
	M5	56116105	1	Motor, Vacuum 2 (Optional)
	M6	56116781	1	Squeegee Actuator
	M7		1	Deck Actuator
	M8	56110742	1	Detergent Pump
	M9	56110742	1	Detergent Pump
	M10	56116767	1	Dust Guard Pump/ Wash Pump (Optional)
	M11	56116309	1	Drive Motor
	S1	7-82-00050	1	SW, Seat
	S2	56104247	1	SW, Emergency
	S3	56104405	1	SW, Horn
	S4	56104405	1	SW, Bop
	S5	56104405	1	SW, Solution
	S6	56116842	1	Switch, Float
	S7	56116372	1	Level Sensor
	S8	56116784	1	Side Sweep (Optional)

Color Codes

BLK	Black
BLU	Blue
BRN	Brown
GRA	Gray
GRN	Green
ORN	Orange
PINK	Pink
RED	Red
TAN	Tan
VIO	Violet
WHT	White
YEL	Yellow

LADDER DIAGRAM-3



Ladder Diagram 56116048 REV B

LADDER DIAGRAM-3

Kit	Item	Ref. No.	Qty	Description
	A1		1	Telematics Module (Optional)
	A10	56116518	1	Smart Key
	A11	56601052	1	Foot Pedal
	BT1	N/A	1	Battery 36VDC
	CB1	56507644	1	10amp Breaker
	E1	56315774	1	Battery Charger (Optional)
	E2	56116054	1	Main Control Board Assy
	E3	56116087	1	Power Module
	E4	56116131	1	Wheel Drive Controller
	F1	56115432	1	150 Amp Fuse
	H1	56116375	1	Horn
	H2	56116374	1	Back-Up Alarm (Optional)
	J3	56116601	1	USB (Optional)
	K1	40892A	1	Main Relay
	K2	56303198	1	Power Module Contactor
	K3	56303198	1	Speed Controller Contactor
	L1	56116248	1	Solenoid Valve
	L2	56116975	1	Valve-Solenoid-36VDC (Optional)
	LP1	56383032	1	Headlight (Optional)
	LP2	56383032	1	Headlight (Optional)
	LP3	56116353	1	Beacon, Flashing (Optional)
	M1	56116159	1	Motor, Right Brush Disc
	M2	56116159	1	Motor, Left Brush Disc
	M3	56116761	1	Side Sweep (Optional)
	M4	56116105	1	Motor, Vacuum 1
	M5	56116105	1	Motor, Vacuum 2 (Optional)
	M6	56116781	1	Squeegee Actuator
	M7		1	Deck Actuator
	M8	56110742	1	Detergent Pump
	M9	56110742	1	Detergent Pump
	M10	56116767	1	Dust Guard Pump/ Wash Pump (Optional)
	M11	56116309	1	Drive Motor
	S1	7-82-00050	1	SW, Seat
	S2	56104247	1	SW, Emergency
	S3	56104405	1	SW, Horn
	S4	56104405	1	SW, Bop
	S5	56104405	1	SW, Solution
	S6	56116842	1	Switch, Float
	S7	56116372	1	Level Sensor
	S8	56116784	1	Side Sweep (Optional)

Color Codes

BLK	Black
BLU	Blue
BRN	Brown
GRA	Gray
GRN	Green
ORN	Orange
PINK	Pink
RED	Red
TAN	Tan
VIO	Violet
WHT	White
YEL	Yellow

OPTIONS & ACCESSORIES

<u>Item</u>	<u>Ref. No.</u>	<u>Qty</u>	<u>Description</u>
			<u>Accessories</u>
*	56116152	1	<u>Overhead Guard Kit</u>
*	56116280	1	<u>Side Sweep Kit</u>
*	56116351	1	<u>Back-Up Alarm Kit</u>
*	56116352	1	<u>Beacon Kit</u>
*	56116355	1	<u>Vacuum Wand Kit</u>
*	56116357	1	<u>On Board Charger Kit</u>
*	56116358	1	<u>Solution Auto Fill Kit</u>
*	56116359	1	<u>Bumper Kit-Heavy Duty-Front</u>
*	56116361	1	<u>Squeegee Guard Kit</u>
*	56116364	1	<u>Foot Guard Kit</u>
*	56116366	1	<u>Deluxe Seat Kit</u>
*	56116370	1	<u>Dual Vacuum Motor Kit</u>
*	56116371	1	<u>Headlight Kit</u>
*	56116512	1	<u>Wash Hose Kit</u>
*	56116513	1	<u>Dust Guard Kit</u>
*	56116517	1	<u>EcoFlex Kit</u>
*	56116576	1	<u>Weight Kit-Steering Column</u>
*	56116600	1	<u>Seat Kit-Standard</u>
*	56116614	1	<u>Battery Watering Kit-36V</u>
*	56116615	1	<u>Battery Watering Assembly</u>
*	56116619	1	<u>Mop Holder Kit</u>
*	56116686	1	<u>Overhead Guard Kit-Short</u>
*	56116731	1	<u>TRACKCLEAN SC6000 Kit</u>
*	56116856	1	<u>USB Kit</u>
*	56383189	1	<u>Arm Rest Kit-R/H Only</u>
*	56383455	1	<u>Seat Belt Kit-Standard Seat</u>
*	56601410	1	<u>Drain Hose Extension</u>
			<u>Options</u>
	56116600	1	<u>Seat Kit-Standard</u>
	56116518	1	<u>Smart Key-User</u>
	56116519	1	<u>Smart Key-Supervisor</u>
	56044693	1	<u>Literature Pack ADVANCE</u>

OPTIONS & ACCESSORIES (CONTINUED)

Item	Ref. No.	Qty	Description
			<u>Kits</u>
			<u>34D Squeegee Blade Kits for 56116378 (See Squeegee Blade Selector Guide)</u>
	56116704	1	Squeegee Blade Kit-Red Gum J <u>NOTE 1</u>
*	56116707	1	Squeegee Blade Kit-PU J <u>NOTE 1</u>
			<u>36C & 40D Squeegee Blade Kits for 56116379 (See Squeegee Blade Selector Guide)</u>
	56116705	1	Squeegee Blade Kit-Red Gum K <u>NOTE 1</u>
*	56116708	1	Squeegee Blade Kit-PU K <u>NOTE 1</u>
			<u>Scrub System Side Blade Kits for Cylindrical and Disc Decks (See Blade Selector Guide)</u>
	56116706	1	Side Blade Kit-Red Gum
*	56116709	1	Side Blade Kit-PU
			<u>34D Disc Scrub Brushes (See Brush Selector Guide)</u>
*	56505780	2	Pad Holder-17 3 Lug
*	56505781	2	Disc Brush-17 Magnagrit 3 Lug
*	56505782	2	Disc Brush-17 Dynagrit 3 Lug
*	56505783	2	Disc Brush-17 Aglite 3 Lug
*	56505784	2	Disc Brush-17 Prolene 3 Lug
*	56505785	2	Disc Brush-17 Prolite 3 Lug
*	56505786	2	Disc Brush-17 Union Mix 3 Lug
*	56505787	2	Disc Brush-17 Midgrit 3 Lug
*	56505788	2	Disc Brush-17 Midlite 3 Lug
			<u>40D Disc Scrub Brushes (See Brush Selector Guide)</u>
*	56505790	2	Pad Holder-20 3 Lug
*	56505791	2	Disc Brush-20 Magnagrit 3 Lug
*	56505792	2	Disc Brush-20 Dyna Grit 3 Lug
*	56505793	2	Disc Brush-20 Aglite 3 Lug
*	56505794	2	Disc Brush-20 Prolene 3 Lug
*	56505795	2	Disc Brush-20 Prolite 3 Lug
*	56505796	2	Disc Brush-20 Union Mix 3 Lug
*	56505797	2	Disc Brush-20 Midgrit 3 Lug
*	56505798	2	Disc Brush-20 Midlite 3 Lug
			<u>36C Cylindrical Scrub Brushes (See Brush Selector Guide)</u>
*	56116043	2	Brush-Cyl-Hard Nyl-Natural-7in
*	56116044	2	Brush-Cyl-180 Grit-Blue-7in
*	56116045	2	Brush-Cyl-80 Grit-Black-7in
*	56116046	2	Brush-Cyl-Soft Nyl-Yellow-7in
*	56116047	2	Brush-Cyl-Polypro-Red-7in
			<u>Side Sweep Brush</u>
*	56116858	1	Poly Broom

* = Optional, Not Included

NOTE 1: All squeegee blade kits include both front and rear squeegee blades.

RECOMMENDED SPARE PARTS**WEAR ITEMS****BRUSHES**

Disc Scrub Brushes	34D	40D
Brush Pad Holder	56505780	56505790
MagnaGrit	56505781	56505791
DynaGrit	56505782	56505792
AgLite	56505783	56505793
Prolene	56505784	56505794
ProLite	56505785	56505795
Union Mix	56505786	56505796
MidGrit	56505787	56505797
MidLite Grit	56505788	56505798

Cylindrical Scrub Brushes		36C
Soft Nylon		56116046
Hard Nylon		56116043
Prolene		56116047
180 Grit		56116044
80 Grit		56116045

BROOMS

Side Sweep		36C
Poly Broom		56116858

DECK BLADES

Disc Deck Blade Kits	34D	40D
Kit, Red Gum Side Blade	56116706	
Kit, Polyurethane Side Blade	56116709	
Kit, Red Gum Side Blade		56116706
Kit, Polyurethane Side Blade		56116709

Cylindrical Deck Blade Kits		36C
Kit, Red Gum Side Blade		56116706
Kit, Polyurethane Side Blade		56116709

REAR SQUEEGEE BLADES

Squeegee Blade Kits	34 (J)	36C & 40D (K)
Kit, Red Gum Squeegee Blade	56116704	
Kit, Polyurethane Squeegee Blade	56116707	
Kit, Red Gum Squeegee Blade		56116705
Kit, Polyurethane Squeegee Blade		56116708

RECOMMENDED SPARE PARTS

PERIODIC SERVICE ITEMS AND SPARES

CLASS

W = Normal Wear
 O = Ordinary Maintenance
 E = Extra-Ordinary Maintenance

Class	Ref No.	Description
CHASSIS		
E	56116781	Actuator-Squeegee
CONTROL SYSTEM		
E	56118037	Foot Pedal Assy
E	56116056	Membrane Panel Assembly
E	56116054	Pcb Box Assembly
E	56116477	Ibutton-Probe
O	56116518	Smart Key-User
O	56116519	Smart Key-Supervisor
E	56507644	Circuit Breaker 10 Amp
E	40892A	Relay Dpdt 36vdc
E	7-82-00050	Switch Seat
E	56317072	Gas Spring
ELECTRICAL SYSTEM		
E	56116087	Module-High Power
E	56116131	Speed Control
O	56115432	Fuse-150 Amp
O	56303198	Contacto 36v Type 4
RECOVERY SYSTEM		
O	56116500	Drain Hose Assembly
O	56116537	Squeegee Hose Assembly
O	56116698	Gasket-Vacuum Cover
O	56116722	Debris Tray Assembly
E	56116842	Switch-Float Mechanical 120v
O	56116392	Screen-Filter
O	56116394	Filter-Vacuum Inlet
O	56116104	Cover-Vacuum Motor
O	56118005	Seal-Vacuum Block
O	56116105	Motor-Vacuum 36vdc
O	56116107	Vacuum Motor Brush Kit
O	56116486	Seal-Recovery Cover
O	33003458	Clamp 60-80
O	56116105	Motor-Vacuum 36vdc
O	56116107	Vacuum Motor Brush Kit
O	56116922	Vacuum Motor Seal Kit
SCRUB SYSTEM		
O	56118041	Actuator Assembly-Heavy Duty (All)
E	56116159	Motor-36vdc-1900rpm-1hp (36C)
O	56422152	Kit Wheel Drive Brushes (All)
E	56116032	Cap-Hub
O	56116545	Knob-M12-Lobe Disc (34D, 40D)
E	56116213	Gearmotor-36vdc-250rpm-1.0hp Disc (34D, 40D)
O	56601276	Brush Plate Assembly Disc (34D, 40D)
O	56601384	Brush Plate Assembly Disc (34D, 40D)
O	56116979	Latch Kit

Class	Ref No.	Description
SCRUB SYSTEM (CONTINUED)		
O	56116983	Knob Kit-Side Wiper
O	56116929	Disk Strap Kit-Both Sides Disc (34D, 40D)
O	56116877	Latch Kit-Both Sides (36C)
E	56116885	Belt Kit-Both Sides (36C)
E	56116890	Hub Kit (36C)
E	56116887	Sheave Kit (36C)
E	56116889	Idler Housing Kit (36C)
O	56116984	Cylinder Strap Kit-Both Sides (36C)

Class	Ref No.	Description
SOLUTION SYSTEM		
E	56116759	Valve-Ball-5/8x3/4in Brb
O	9097944000	Filter Net Ss 50 Mesh For
E	9097945000	Cap With Seal-Solution Filter
O	9097943000	Gasket For Water Filter
O	56104408	Chemical Bottle Assy
E	56110742	Pump Detergent 12v
O	56315517	Cap
O	56315523	Cap Dry Break 1/8 Barb
O	56116923	Drain Hose Kit
O	56116924	Filter Kit
O	56116875	Solenoid Valve Kit
O	56116891	Solenoid Seal Kit

Class	Ref No.	Description
SQUEEGEE SYSTEM		
E	56116545	Knob-M12-Lobe
O	56116907	Caster Assembly
O	56116894	Squeegee Tilt Adjuster Kit
E	56116912	Squeegee Knob Kit-Both

Class	Ref No.	Description
SWEEP SYSTEM		
E	56116784	Sensor-Proximity
E	56116761	Gear Motor-Sweep-Right
O	56116897	Carbon Brushes Kit
O	1463960000	Clamp With Pin

Class	Ref No.	Description
WHEEL & BRAKE SYSTEM		
E	56483135	Cap Grease
E	56116032	Cap-Hub
O	56116809	Bearing-Drive Wheel
E	56116811	Cover-Brake
E	56116916	Steering Chain Kit
E	56116918	Spindle Bearing Kit
E	56116033	Bearing Kit-Rear Wheel
E	56116919	Rear Wheel Kit
E	56116917	Hardware Kit-Wheel System

BRUSH SELECTOR GUIDE - DISC

We provide brushes and pad holders that will give you the best possible performance between machine and floor. Following are descriptions of the materials and their applications.

- ProLite:** Bristles are made from light-duty polypropylene for general scrubbing when you do not want to scratch or remove finish from the floor. Recommended for use in place of red pads.
- Prolene:** Polypropylene material for medium-duty scrubbing on concrete, terrazzo and vinyl floor tile. Recommended for use in place of green or blue pads.
- Union Mix:** Medium grade natural fibers for polishing finished floors with standard-speed equipment. Recommended for use in place of white pads.
- AgLite Grit 500:** For light scrubbing when used wet; buffing or polishing when used dry on urethane coated, sealed concrete or other resilient hard surface floors. Recommended for use in place of red or white pads.
- MidGrit 240:** For general purpose scrubbing when you need a lighter action for sealed or unsealed concrete, stone, terrazzo, quarry tile and other resilient hard floor surfaces. Recommended for use in place of green or blue pads.
- MidLite Grit 180:** For general purpose scrubbing of sealed or unsealed concrete, stone, terrazzo, quarry tile and other resilient hard floor surfaces. Recommended for use in place of green or blue pads.
- Dyna Grit 80:** For aggressive, heavy-duty scrubbing or stripping of floors. Recommended for use in place of brown pads.
- Magna Grit 46:** For extreme heavy-duty scrubbing or stripping of floors. This brush has extra large diameter silicon carbide grit impregnated synthetic bristles. Recommended for use in place of black pads.
- Short Trim Pad Holder:** Made with a structural foam block and center ring for correct pad centering. It has a "shower feed" design for getting solution to the floor.

SC6000 34D DISC BRUSHES

- 56505780 - Pad Holder-17 3 Lug
- 56505781 - Disc Brush-17 Magnagrit 3 Lug
- 56505782 - Disc Brush-17 Dynagrit 3 Lug
- 56505783 - Disc Brush-17 Aglite 3 Lug
- 56505784 - Disc Brush-17 Prolene 3 Lug
- 56505785 - Disc Brush-17 Prolite 3 Lug
- 56505786 - Disc Brush-17 Union Mix 3 Lug
- 56505787 - Disc Brush-17 Midgrit 3 Lug
- 56505788 - Disc Brush-17 Midlite 3 Lug

SC6000 40D DISC BRUSHES

- 56505790 - Pad Holder-20 3 Lug
- 56505791 - Disc Brush-20 Magnagrit 3 Lug
- 56505792 - Disc Brush-20 Dyna Grit 3 Lug
- 56505793 - Disc Brush-20 Aglite 3 Lug
- 56505794 - Disc Brush-20 Prolene 3 Lug
- 56505795 - Disc Brush-20 Prolite 3 Lug
- 56505796 - Disc Brush-20 Union Mix 3 Lug
- 56505797 - Disc Brush-20 Midgrit 3 Lug
- 56505798 - Disc Brush-20 Midlite 3 Lug

DISC BRUSH APPLICATION GUIDE (SUGGESTION ONLY)

	46	80	180	240	500	Prolene	Prolite	Union Mix
Application	Grit	Grit	Grit	Grit	Grit			
Stripping:								
Concrete	X	X						
Terrazzo	X	X						
Ceramic/Quarry tile		X						
Vinyl tile		X						
General Scrubbing:								
Concrete	X	X	X	X		X		
Terrazzo			X	X	X	X		
Ceramic/Quarry tile			X	X	X	X		
Marble					X		X	
Vinyl tile			X		X	X		
Raised-rubber tile					X		X	
Polishing:								
Raised Disc Tile								X
Marble								X
Vinyl tile								X

BRUSH SELECTOR GUIDE - CYLINDRICAL

We provide brushes and pad holders that will give you the best possible performance between machine and floor. Following are descriptions of the materials and their applications.

- Soft Nylon:** Least aggressive brush available. Used on soft-finish floors where a more aggressive brush would leave scratch marks, or in applications requiring very light cleaning.
- Stiff Nylon:** Cleaning action similar to polypropylene. More durable and wear-resistant than polypropylene.
- Prolene:** Low cost, yet effective in cleaning many common floor surfaces.
- MidLite Grit 180:** Least aggressive grit brush. Used for daily cleaning of hard-finished floors.
- Dyna Grit 80:** Medium aggressive grit brush. Good all-around brush for medium to heavy buildup removal. Can also be used for general stripping operations.
- Magna Grit 46:** Most aggressive grit brush. Used primarily to clean heavy buildup on concrete floors in factories, or for heavy stripping of finish.

SC6000 36C CYLINDRICAL BRUSHES

56116043 - Brush-Cyl-Hard Nyl-Natural-7in

56116044 - Brush-Cyl-180 Grit-Blue-7in

56116045 - Brush-Cyl-80 Grit-Black-7in

56116046 - Brush-Cyl-Soft Nyl-Yellow-7in

56116047 - Brush-Cyl-Polypro-Red-7in

CYLINDRICAL BRUSH APPLICATION GUIDE (SUGGESTION ONLY)

Application	46 Grit	80 Grit	180 Grit	Polypro- pylene	Stiff Nylon	Soft Nylon
Stripping:						
Concrete	X	X				
Terrazzo	X	X				
Ceramic/Quarry tile		X				
Vinyl tile		X				
General Scrubbing:						
Concrete	X	X	X	X	X	
Terrazzo			X	X	X	X
Ceramic/Quarry tile			X	X	X	X
Marble			X		X	X
Vinyl tile			X	X	X	X
Raised-rubber tile			X			X

SQUEEGEE BLADE SELECTOR GUIDE

Gum Rubber: Provides superior wiping action on tile, terrazzo, and polished floors.

Red Gum Rubber: Provides longest life on finished or unfinished concrete floors.

Polyurethane: Oil resistance provides superior life in applications with oily floors.

SQUEEGEE BLADE APPLICATION GUIDE(SUGGESTION ONLY)

	Gum Rubber (Natural Rubber)	Red Gum Rubber (Natural Rubber)	Polyurethane/ Pentathane
Performance Traits			
Tear Strength		X	X
Abrasion Resistance		X	X
Applications			
Oil Resistant Applications			X
Appearance	Tan	Red	Translucent



9435 Winnetka Ave North
Minneapolis, MN 55445
www.advance-us.com
Phone: 800-989-2235
Fax: 800-989-6566
©2016 Nilfisk, Inc.

A Nilfisk Brand