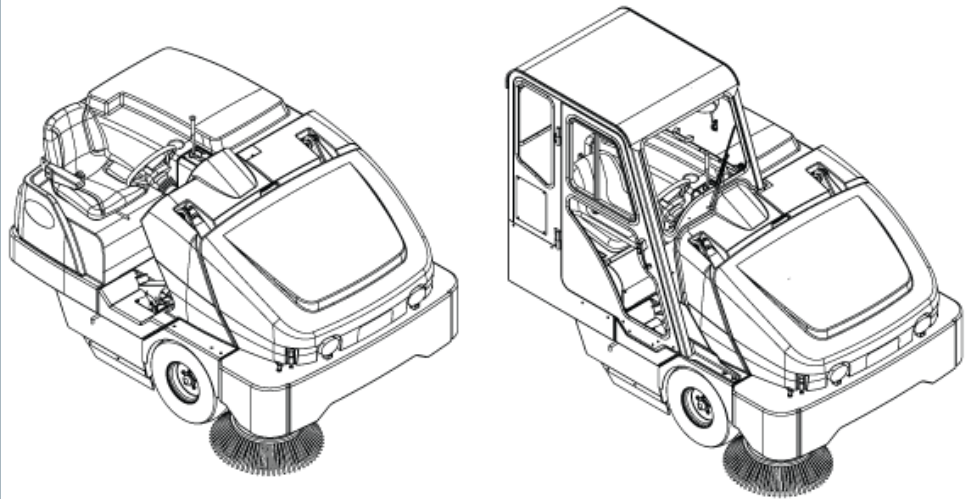


SW8000

Model:
SW8000 165 D 4-CYL
CAB NIL
SW8000 165 D 4-CYL
NIL
SW8000 165 D HT 4-
CYL
SW8000 165 LPG 4-
CYL CAB NIL
SW8000 165 LPG 4-
CYL NIL
SW8000 165 P HT 4-
CYL NIL



Part List US-English

05-04-2015

Table of Contents

SW8000

GENERAL VIEW	3
CHASSIS SYSTEM	5
CHASSIS ASSY	8
BRAKE PEDAL ASSY	10
CIRCUIT BREAKER PANEL ASSY	12
CONTROL SYSTEM	14
DECAL SYSTEM	16
DRIVE WHEEL SYSTEM	18
DUST CONTROL SYSTEM-1	20
DUST CONTROL SYSTEM-2	22
ELECTRICAL SYSTEM	24
ENGINE LPG SYSTEM-1	26
ENGINE LPG SYSTEM-2	29
ENGINE BASE ASSY - LPG	31
ENGINE PETROL SYSTEM-1	33
ENGINE PETROL SYSTEM-2	36
ENGINE BASE ASSY - PETROL	38
ENGINE [KUBOTA] DIESEL SYSTEM-1	40
ENGINE [KUBOTA] DIESEL SYSTEM-2	43
ENGINE BASE ASSY - (KUBOTA) DIESEL	45
ENGINE LPG TANK & FILTER ASSY	47
ENGINE [KUBOTA] DIESEL FUEL TANK ASSY	49
ENGINE PETROL FUEL TANK ASSY	51
ENGINE BOTTOM COVER ASSY - DIESEL	54
ENGINE BOTTOM COVER ASSY - LPG-PETROL	56
ENGINE REAR COVER ASSY	58
FORWARD-REVERSE CONTROL ASSY	60
FRONT WHEEL SYSTEM	63
GAUGE PANEL ASSY	65
HOPPER SYSTEM-1	67
HOPPER SYSTEM-2	69
HOPPER SYSTEM-3	71
HOPPER SYSTEM-4	73
HYDRAULIC SCHEMATIC	75
HYDRAULIC SYSTEM	77
HYDRAULIC SYSTEM - MOUNTING	80
HYDRAULIC CYLINDER ASSEMBLIES	82
HYDRAULIC MANIFOLD ASSY	84
HYDRAULIC MOTOR ASSEMBLIES	86

Table of Contents

SW8000

HYDRAULIC OIL FILTER-RESERVOIR	88
HYDRAULIC PUMP ASSY	90
BROOM LIFT ASSY	92
MAIN BROOM ASSY-1	94
MAIN BROOM ASSY-2	96
RADIATOR ASSY	98
SEAT ASSY	100
SIDE BROOM SYSTEM	102
LADDER DIAGRAM-1	104
LADDER DIAGRAM-2	107
LADDER DIAGRAM-3	109
OPTIONAL KITS & ACCESSORIES	111
BROOM SELECTOR GUIDE	114
LEFT HAND SIDE BROOM OPTION-1	116
LEFT HAND SIDE BROOM OPTION-2	118
TILT STEERING OPTION	120
GAUGE KIT-DIESEL	122
GAUGE KIT-PETROL & LPG	124
AMBER STROBE NO OHG KIT [STANDARD ON NON CAB MOD	126
AMBER STROBE CAB [STANDARD ON CAB MODELS]	128
BACK UP ALARM KIT (STANDARD ON ALL MODELS)	130
CAB SYSTEM	132
CAB SYSTEM - ACCESS DOOR ASSEMBLY	134
CAB SYSTEM - CAB FRAME ASSEMBLY	136
CAB SYSTEM - COVER ASSEMBLY	139
CAB SYSTEM - DOOR ASSEMBLY	141
CAB SYSTEM - WINDOW ASSEMBLY	143
CAB SYSTEM - SEAT ASSEMBLY	145
DIESEL FUEL TANK ASSEMBLY	147
LPG FUEL TANK ASSEMBLY	149
CAB HEATER-PRESSURIZER OPTION	151
CAB HEATER-PRESSURIZER OPTION 2	153
CAB HEATER-PRESSURIZER AND AC OPTION	155
CAB HEATER-PRESSURIZER AND AC OPTION 2	158
RECOMMENDED SPARE PART	160
56508364/56508365 - Right/Left Side Broom Guard Ki	164
56507030 - Litter Vac Kit	166
56507850 - Sidebroom Premist Kit	168
56508720 - Rear Bumper Kit	171

Table of Contents

SW8000

56508811 - Rear Bumper Kit - Cab	173
56507037 - Foam filled tyre kit	175
56507228 - Tilt Steering Option	177
56107627 - CONTROL BOX KIT	179
56107612 - FRONT BUMPER KIT	181
56107680 - Side broom speed control kit	183
56107668 - OPERATOR PRESENCE SWITCH KIT	185
56383880 ROD END THROTTLE KIT	187

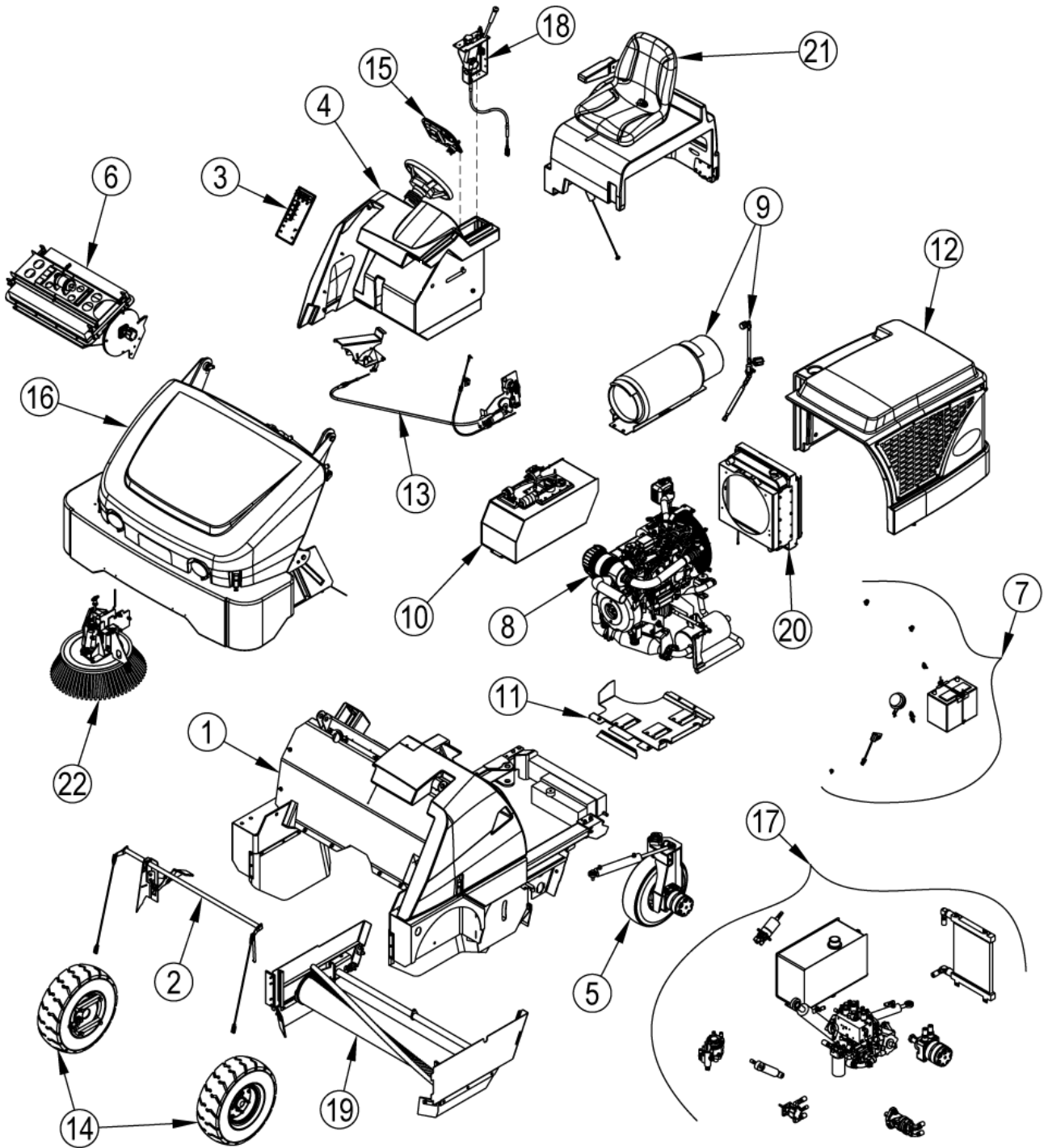
GENERAL VIEW

SW8000

05-04-2015

Part List ID
SW800002

3



GENERAL VIEW

SW8000

05-04-2015

Part List ID
SW800002

4

Pos	Part no.	Qty	Description
1		1	NOTE COMMENT CHASSIS SYSTEM
2		1	NOTE COMMENT BRAKE PEDAL ASSY
3		1	NOTE COMMENT CIRCUIT BREAKER PANEL ASSY
4		1	NOTE COMMENT CONTROL SYSTEM
5		1	NOTE COMMENT DRIVE WHEEL SYSTEM
6		1	NOTE COMMENT DUST CONTROL SYSTEM
7		1	NOTE COMMENT ELECTRICAL SYSTEM
8		1	NOTE COMMENT ENGINE SYSTEM
9		1	NOTE COMMENT ENGINE LPG TANK & FILTER ASSY
10		1	NOTE COMMENT ENGINE DIESEL/PETROL FUEL TANK ASSY
11		1	NOTE COMMENT ENGINE BOTTOM COVER ASSY
12		1	NOTE COMMENT ENGINE REAR COVER ASSY
13		1	NOTE COMMENT FORWARD-REVERSE CONTROL
14		1	NOTE COMMENT FRONT WHEEL SYSTEM
15		1	NOTE COMMENT GAUGE PANEL ASSY
16		1	NOTE COMMENT HOPPER SYSTEM
17		1	NOTE COMMENT HYDRAULIC SYSTEM
18		1	NOTE COMMENT BROOM LIFT ASSY
19		1	NOTE COMMENT MAIN BROOM ASSY
20		1	NOTE COMMENT RADIATOR ASSY
21		1	NOTE COMMENT SEAT ASSY
22		1	NOTE COMMENT SIDE BROOM SYSTEM

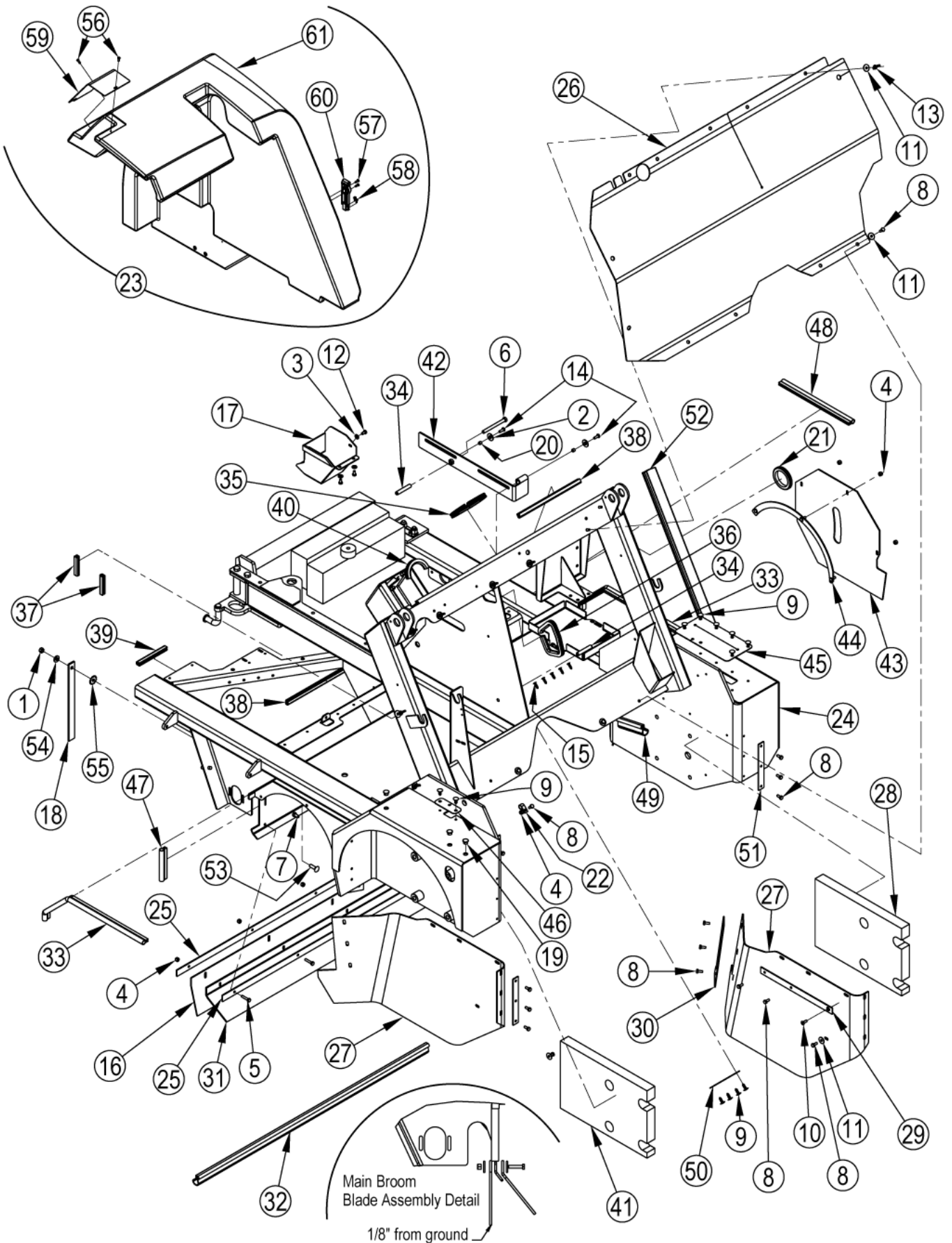
CHASSIS SYSTEM

SW8000

05-04-2015

Part List ID
SW800004

5



CHASSIS SYSTEM

SW8000

05-04-2015

Part List ID
SW800004

6

Pos	Part no.	Qty	Description
1	2-95-04182	1	NUT-EL.STOP-3/8-16 ZN PL
2	56002055	2	WSH FLT STD 3/8
3	56002098	3	WSH FLT SAE 1/4
4	56002491	9	NUT HEX NYL LOC SS 1/4-20
5	56002897	5	SCR HEX SS 1/4-20 X 1.25
6	56002977	1	SCR HEX THD TO HD 3/8-16 X 4.0
7	56002988	1	SCR HEX SS 5/16 18 X .62
8	56003047	23	SCR HEX SS 1/4-20 X .62
9	56003263	12	RIVET NYLON TREE PUSH IN.25
10	56003922	2	SCR-FLT SOC SS 1/4-20 X .75
11	56003923	13	WSH-FLT SS .266 X .906 X .060
12	56009033	3	SCR HEX THD FORM 1/4 20X.50
13	56009111	7	NUT WING S.S. 1/4 20
14	56009126	2	SCR PANPHILTHD FORM 1/4-20X.75
15	56009388	6	RIVET NYLON TREE PUSH IN .187
16	56107621	1	FLAP BROOM REAR
17	56107784	1	VACUUM EXHAUST ASSY
18	56416517	1	STRAP STATIC
19	56418888	3	PLUG BUTTON
20	56453849	2	BUSHING .26X.37X.28
21	56459362	1	GROMMET E00059
22	56486112	1	CLAMP P
23	56507042	1	CENTER COVER ASSEMBLY
24	56507043	1	CHASSIS ASSEMBLY
25	56507117	2	STRAP
26	56507141	1	COVER RUBBER
27	56507473	2	FLAP
28	56507474	1	FOAM LH
29	56507475	2	STRAP
30	56507476	2	STRAP
31	56507569	1	FLAP BROOM REAR
32	56507895	1	GASKET
33	56507896	2	GASKET
34	56507897	2	CAP VINYL
35	56507900	1	TRIM EDGE
36	56507901	1	TRIM EDGE
37	56507903	2	TRIM EDGE
38	56507904	2	TRIM EDGE
39	56507905	1	TRIM EDGE
40	56507906	1	TRIM EDGE
41	56507967	1	FOAM RH
42	56507981	1	SLIDE WELDT
43	56508317	1	FLAP

CHASSIS SYSTEM

SW8000

05-04-2015

Part List ID
SW800004

7

Pos	Part no.	Qty	Description
44	56508319	1	CLAMP WELDT
45	56508372	1	FLAP DUST
46	56508373	1	FLAP DUST
47	56508380	1	GASKET
48	56508382	1	GASKET
49	56508385	2	GASKET
50	56508387	1	FLAP DUST
51	56508399	2	STRAP
52	56508516	1	SEAL CHASSIS
53	2-00-05187	1	BOLT CARR.38-16 X 1.25 GR 5 ZN
54	2-00-04801	1	WSHR-FLAT .875X.380X.120TH ZN
55	2-00-03829	1	LK WASH INT/EXT TOOTH ZN
56	56009206	2	SCR TRUSS PHIL BLK 10 24X.50
57	56003093	2	SCR PAN PHIL PLAST 8-15 X .50
58	56009051	2	SCR PAN PHIL THD FORM 8-32X.38
59	56107698	1	PLATE-COVER
60	56507188	1	LATCH HOPPER COVER
61	56507565	1	COVER INTERMEDIATE

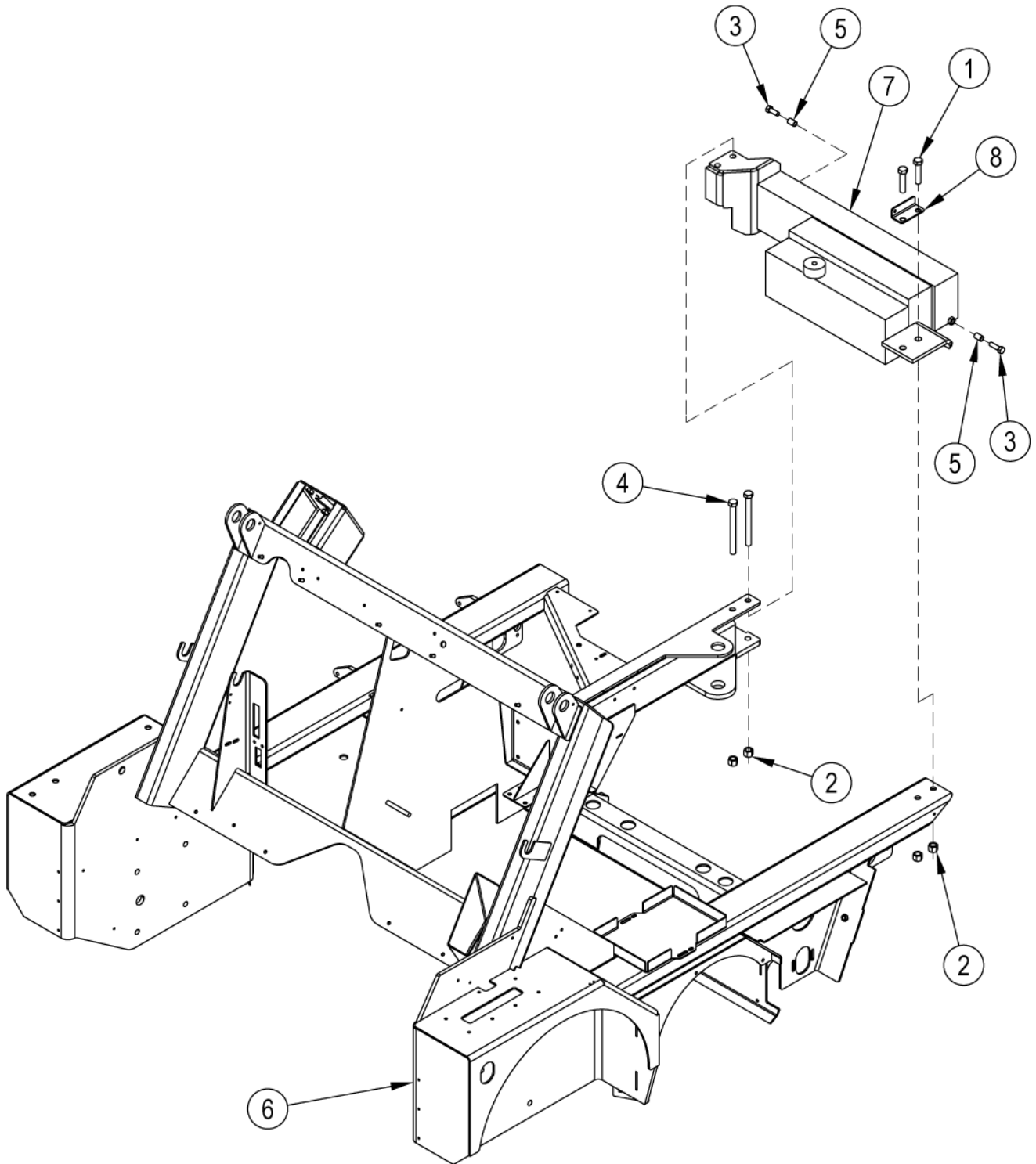
CHASSIS ASSY

SW8000

05-04-2015

Part List ID
SW800006

8



CHASSIS ASSY

SW8000

05-04-2015

Part List ID
SW800006

9

Pos	Part no.	Qty	Description
	56507043	1	CHASSIS ASSEMBLY
1	56001968	2	SCR HEX 1/2 13 X 1.50
2	56002770	4	NUT HEX NYL LOC 1/2-13
3	56002947	2	SCR HEX LOC 3/8-16 X 1.00
4	56003471	2	SCR HX 1/2-13 X 5.50
5	56244859	2	BUSHING .37X.50X.75FC417E
6		1	NOTE COMMENT Chassis Weldment
7	56508880	1	REAR BUMPER WELDMENT
8	56507553	1	BRACKET COVER LANYARD

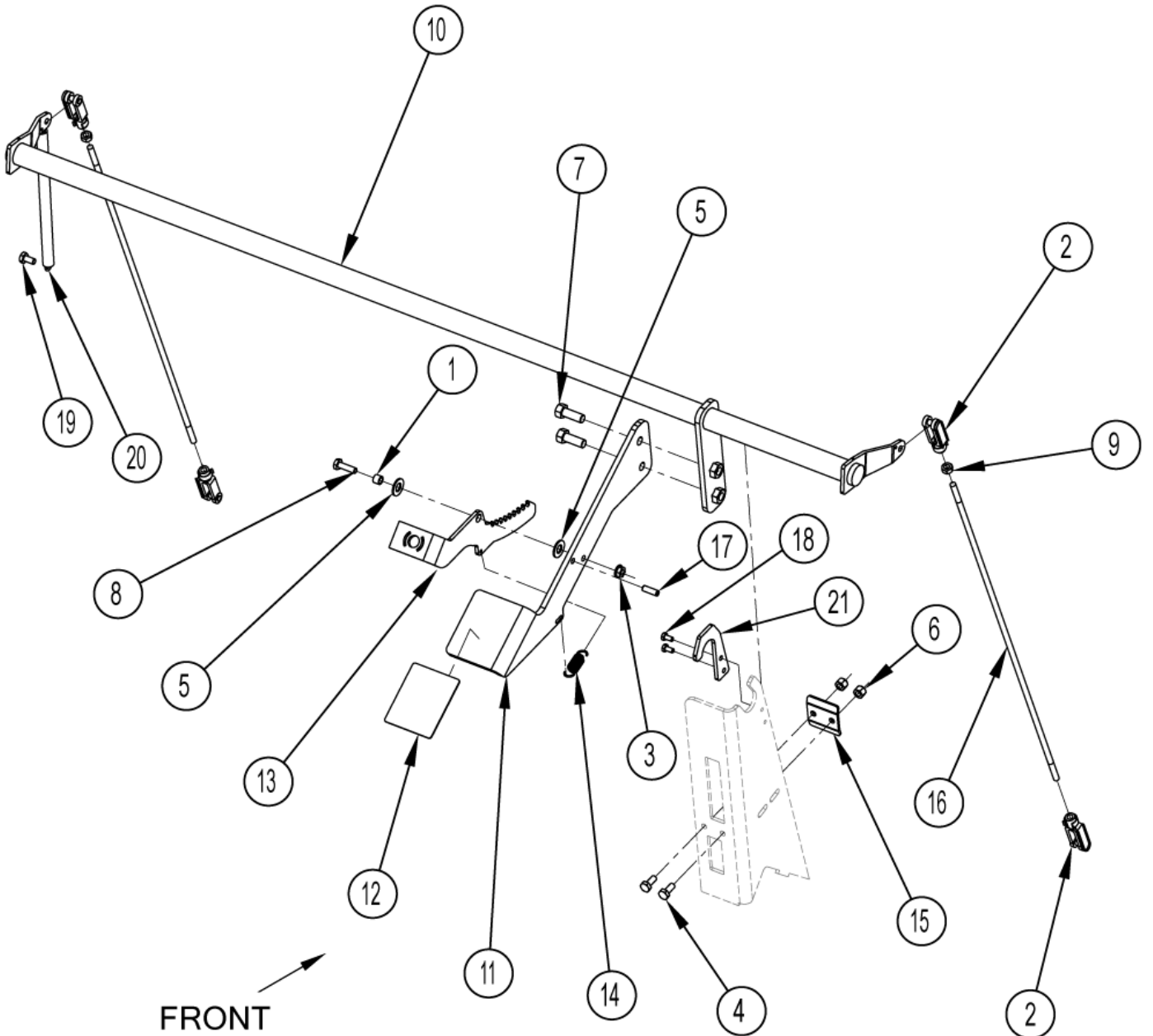
BRAKE PEDAL ASSY

SW8000

05-04-2015

Part List ID
SW800008

10



BRAKE PEDAL ASSY

SW8000

05-04-2015

Part List ID
SW800008

11

Pos	Part no.	Qty	Description
0	56507044	1	PEDAL BRAKE ASSEMBLY
1	56368989	1	BUSHING .25X.37X.30CV82G
2	56407133	4	YOKE CLEVIS
3	56003920	1	NUT-HEX FLANGE LOC SS 1/4-20
4	56003047	2	SCR HEX SS 1/4-20 X .62
5	56002910	2	WSH FLT SAE SS 3/8
6	56002491	2	NUT HEX NYL LOC SS 1/4-20
7	56002947	2	SCR HEX LOC 3/8-16 X 1.00
8	56003921	1	SCR-HEX LOC SS 1/4-20 X .88
9	56009142	2	NUT HEX MACHINE 1/4 28
10	56507210	1	BRAKE CONNECTING ROD WELDT
11	56107688	1	BRAKE PEDAL
12	56507226	1	MAT PEDAL
13	56507450	1	PARKING BRAKE LEVER
14	56507451	1	SPRING EXTENSION
15	56507453	1	PLATE
16	56507456	2	ROD
17	56003138	1	PIN SPR .25 X .75
18	56009012	2	SCR HEX THD FORM 10 24X.38
19	56009033	1	SCR HEX THD FORM 1/4 20X.50
20	56382000	1	SPRING EXT .49X6.00CL11J
21	56508329	1	TAB BRAKE ROD LOCKING

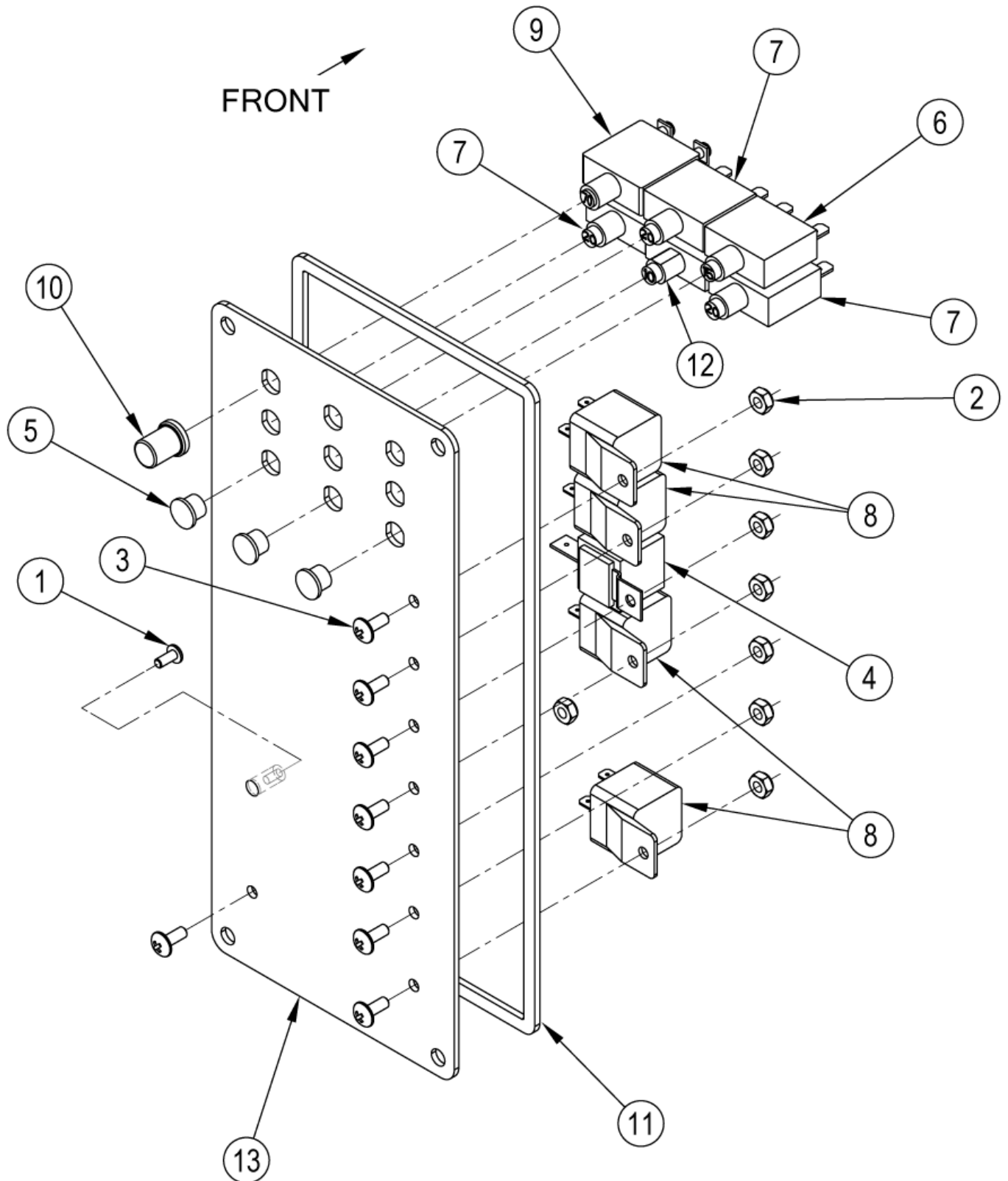
CIRCUIT BREAKER PANEL ASSY

SW8000

05-04-2015

Part List ID
SW800010

12



CIRCUIT BREAKER PANEL ASSY

SW8000

05-04-2015

Part List ID
SW800010

13

Pos	Part no.	Qty	Description
0	56507615	1	PANEL ASSY DIESEL (items 1-13)
0	56507646	1	PANEL ASSY LPG/PETROL (items 1-13)
1	56001818	1	SCR PAN PHIL 8 32 X .38
2	56002849	8	NUT HEX NYL LOC-THIN SS 10-24
3	56003902	8	SCR-TRUSS PHIL SS BLK10-24X.50
4	56107639	1	RELAY
5	56153126	3	PLUG BUTTON E00172
6	56413407	1	CIRCUIT BREAKER 15 AMP
7	56413822	3	CIRCUIT BREAKER 20 AMP
8	56418387	3	RELAY SPDT
9	56454429	1	CIRCUIT BREAKER 70A
10	56459369	1	BOOT RESET BUTTON E00586
11	56507441	1	GASKET STRIP
12	56507644	1	CIRCUIT BREAKER 10 AMP
13	56107693	1	PANEL-CIRCUIT BREAKERS ASSY

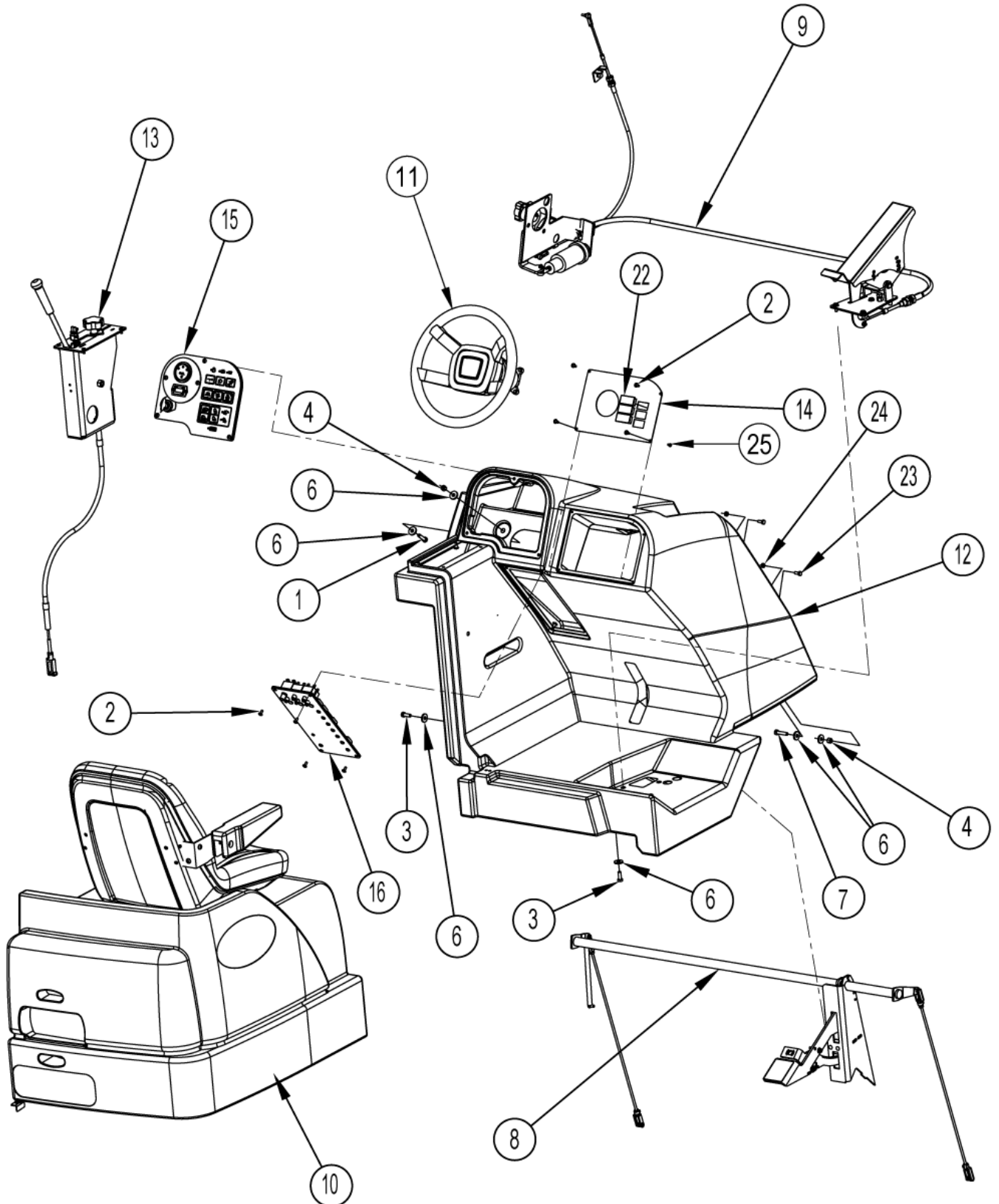
CONTROL SYSTEM

SW8000

05-04-2015

Part List ID
SW800012

14



CONTROL SYSTEM

SW8000

05-04-2015

Part List ID
SW800012

15

Pos	Part no.	Qty	Description	
1	56001834	1	SCR HEX 5/16 18 X 1.25	
2	56003902	8	SCR-TRUSS PHIL SS BLK10-24X.50	
3	56002037	2	SCR HEX 5/16-18 X .88	
4	56002701	2	NUT HEX NYL LOC 5/16-18	
6	56009122	6	WSH FLT .344X.938X.125	
7	56009256	1	SCR HEX 5/16-18X1.38	
8	56507044	1	PEDAL BRAKE ASSEMBLY	See Brake Pedal Assembly
9	56507049	1	FWD/REV 4 CYL CONTROL ASSY	See Forward/Reverse Control Assembly
10	56507052	1	SEAT ASSEMBLY	(non-cab models) See Seat Assembly
11	56507228	1	TILT STEERING OPTION	NOTE 1
12	56507083	1	CONSOLE	
13	56507407	1	LIFT BROOM ASSEMBLY	See Broom Lift Assy
14	56107696	1	PANEL-STANDARD ASSY	
15	56107640	1	GAUGE PANEL ASSY PETROL	See Gauge Panel Assembly
15	56107641	1	GAUGE PANEL ASSY LPG	See Gauge Panel Assembly
15	56107642	1	GAUGE PANEL ASSY DIESEL	See Gauge Panel Assembly
16	56507615	1	PANEL ASSY DIESEL	See Circuit Breaker Panel Assembly
16	56507646	1	PANEL ASSY LPG/PETROL	See Circuit Breaker Panel Assembly
22	2-00-05758	3	MTG PANEL PLUG VHP	
23	56001836	2	SCR HEX 1/4 20 X .62	
24	56002840	2	NUT HEX NYL LOC-THIN 1/4-20	
25	56001818	1	SCR PAN PHIL 8 32 X .38	

NOTE 1: See Tilt Steering Option for replacement parts.

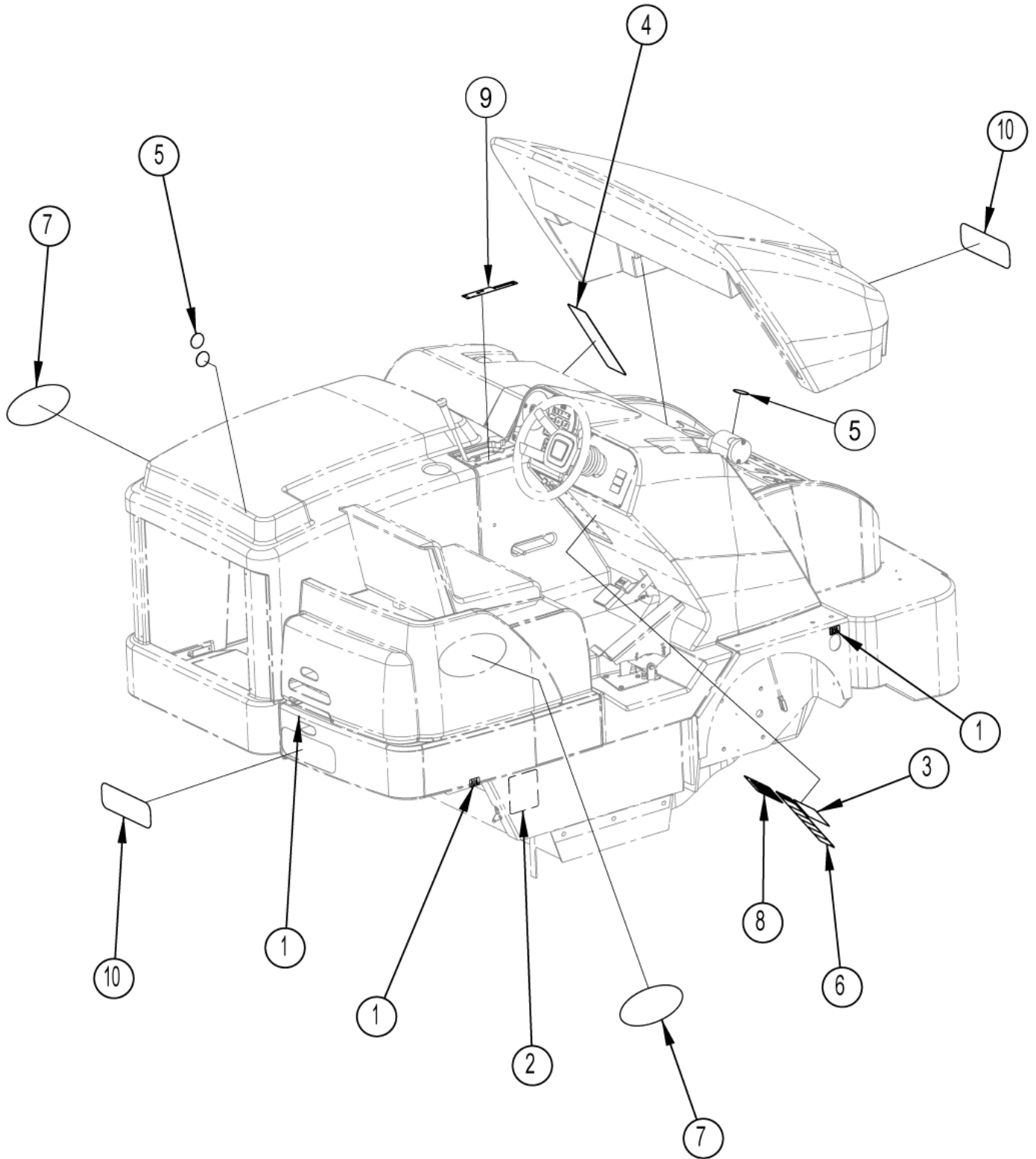
DECAL SYSTEM

SW8000

05-04-2015

Part List ID
SW800014

16



DECAL SYSTEM

SW8000

05-04-2015

Part List ID
SW800014

17

Pos	Part no.	Qty	Description
1	56015370	5	DECAL TIE DOWN
2	56015425	2	DECAL WARNING BROOM
3	56015427	1	DECAL WARNING TIP O
4	56015428	1	DECAL-WARNING-HOPPER
5	56030080	3	DECAL HANDS CLEAR
6	56014601	1	DECAL CAUTION
7	56107605	2	DECAL SW8000 NIL
8	56016356	1	DECAL CIRCUIT BREAKER
9	56016365	1	DECAL MAIN BROOM
10	56016731	2	DECAL NILFISK

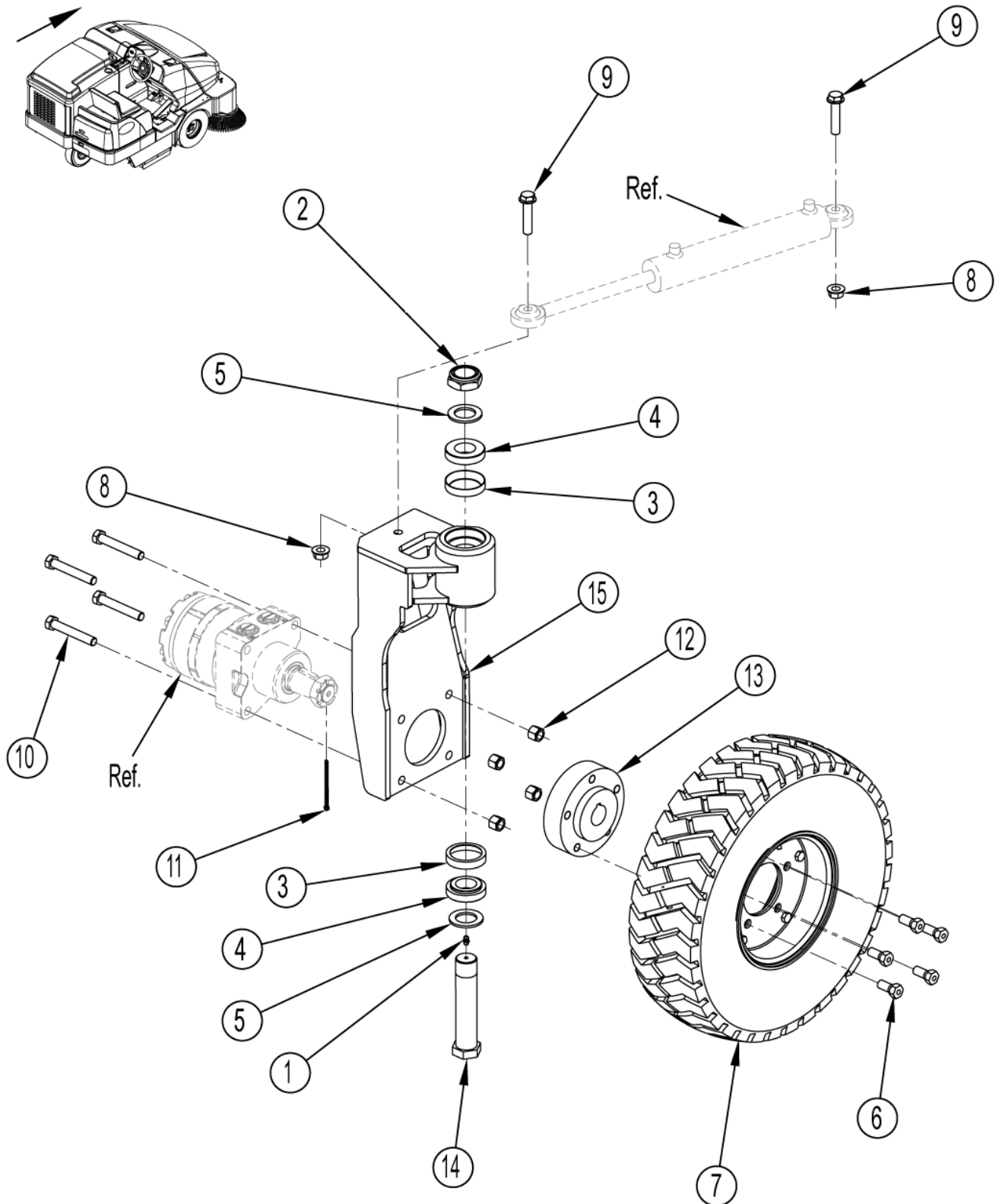
DRIVE WHEEL SYSTEM

SW8000

05-04-2015

Part List ID
SW800016

18



DRIVE WHEEL SYSTEM

SW8000

05-04-2015

Part List ID
SW800016

19

Pos	Part no.	Qty	Description	
0	56508943	1	TIRE SOLID 5 X 8 X 3	Optional, Not Included
0	8-65-05015	1	RIM ASSEMBLY	Optional, Not Included
0	8-70-00085	1	TUBE-INNER-PNEU TIRE 5.00x8	Optional, Not Included
0	8-70-00093	1	TUBE-INNER PNEU. TIRE	Optional, Not Included
0	8-85-06021	1	TIRE-5.00X8 PNEUMATIC	Optional, Not Included
0	8-85-06023	1	RIM ASSY - 3.00x8 LOCKRING	Optional, Not Included
1	56101737	1	FITTING LUBE 1/4-28	
2	2-00-04454	1	NUT-INS-FIBRE 1.25-12 LOW HGT	
3	2-00-04621	2	CUP TIMKEN	
4	2-00-04622	2	CONETIMKEN	
5	8-75-01136	2	WASHER-THRUST	
6	8-80-05035	5	STUD-DRIVE WHEEL HUB	
7	8-89-08064	1	WHEEL ASSY-PNEU DEMOUNT 18.5	(Pneumatic)
7	8-89-08065	1	WHEEL ASSY-SOFTSHOE DEMOUNT 18	(Solid)
7	8-89-08080	1	WHEEL ASSY-FRONT FOAM FILL 5x8	
8	56003872	2	NUT-HEX FLANG 1/2-20 SPIRALOCK	
9	56003871	2	SCR-HEX FLANGE 1/2-20 X 2.25	
10	56002116	4	SCR HEX 1/2-13 X 3.25	
11	56002574	1	PIN COT .156X3.	
12	56002770	4	NUT HEX NYL LOC 1/2-13	
13	56507462	1	HUB DRIVE WHEEL	
14	56507099	1	PIN DRIVE YOKE PIVOT	
15	56507280	1	DRIVE YOKE WELDT	

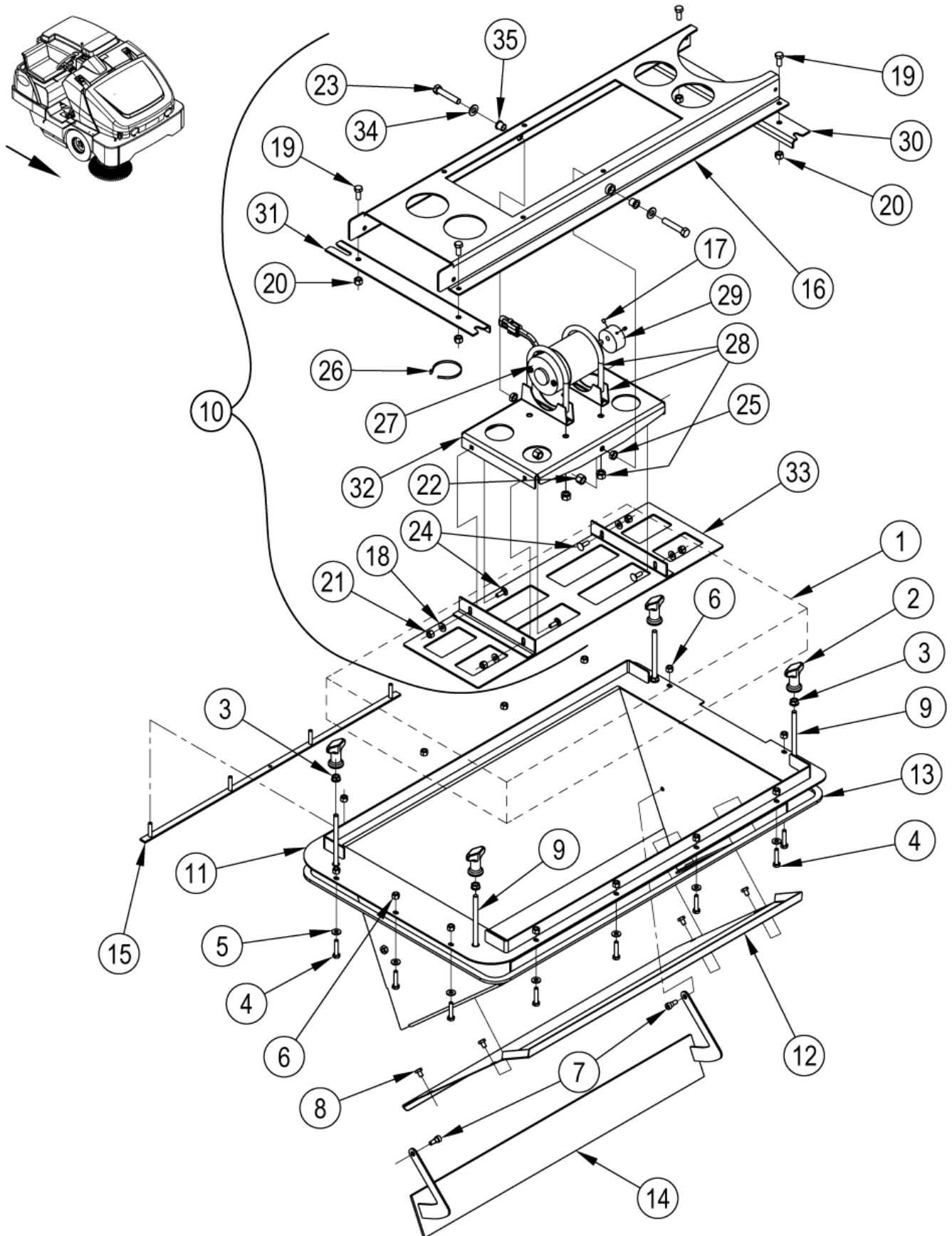
DUST CONTROL SYSTEM-1

SW8000

05-04-2015

Part List ID
SW800018

20



DUST CONTROL SYSTEM-1

SW8000

05-04-2015

Part List ID
SW800018

21

Pos	Part no.	Qty	Description	
0	56507058	1	PANEL FILTER SHAKER ASSEMBLY	
1	56382789	1	FILTER PANEL POLY HIGH FLOW	Optional, Not Included
1	56508953	1	FILTER-HEPA	Optional, Not Included
1	8-24-04139-1	1	FLTR PANEL ULTRA-WEB CELLULOSE	
2	56370711	4	NUT THUMB	
3	56001806	4	NUT WHZ W/FLANGE 5/16-18	
4	56001878	9	SCR HEX 1/4 20 X 1.25	
5	56002098	8	WSH FLT SAE 1/4	
6	56002708	13	NUT HEX NYL LOC 1/4-20	
7	56003717	2	SCR SOC SHD .31X.25X1/4-20	
8	56009019	4	SCR HEX THD FORM 1/4-20X .38	
9	56109163	4	ROD THREADED	
10	56507190	1	FILTER SHAKER ASSEMBLY	
11	56508070	1	PLATE FILTER CHAMBER WELDMENT	
12	56508073	1	PLATE DUST	
13	56508088	1	GASKET 1/2 X 1/4	
14	56508089	1	DOOR FILTER CHAMBER WELDMENT	
15	56508700	1	CLAMP FILTER CHAMBER	
16	8-13-07170	1	CLAMP-FILTER	
17	56002015	2	SCR SOC SET LOC 10 24 X .25	
18	56002098	4	WSH FLT SAE 1/4	
19	56002667	4	SCR HEX 5/16-18 X .75	
20	56002701	4	NUT HEX NYL LOC 5/16-18	
21	56002708	4	NUT HEX NYL LOC 1/4-20	
22	56002769	2	NUT HEX NYL LOC 3/8-16	
23	56003779	2	SCR HEX 3/8-16 X 2.00 GRADE 8	
24	56003715	4	SCR CARRIAGE SS 1/4-20X.75	
25	56009085	2	NUT HEX JAM 3/8 16	
26	56478246	1	CABLE TIE E00549 RE438BA	
27	56508664	1	MOTOR 12VDC	
28	56508887	2	CLAMP U-BOLT 3 DIA X 3/8-16	
29	56508772	1	ECCENTRIC	
30	56508703	1	BRACKET LH FILTER SHAKER	
31	56508704	1	BRACKET RH FILTER SHAKER	
32	56508705	1	PLATE SHAKER MOTOR MTG	
33	56508706	1	SHAKER WELDMENT	
34	56002063	2	WSH FLT SAE 3/8	
35	56508737	2	BEARING FL .500 X .375 X .500	

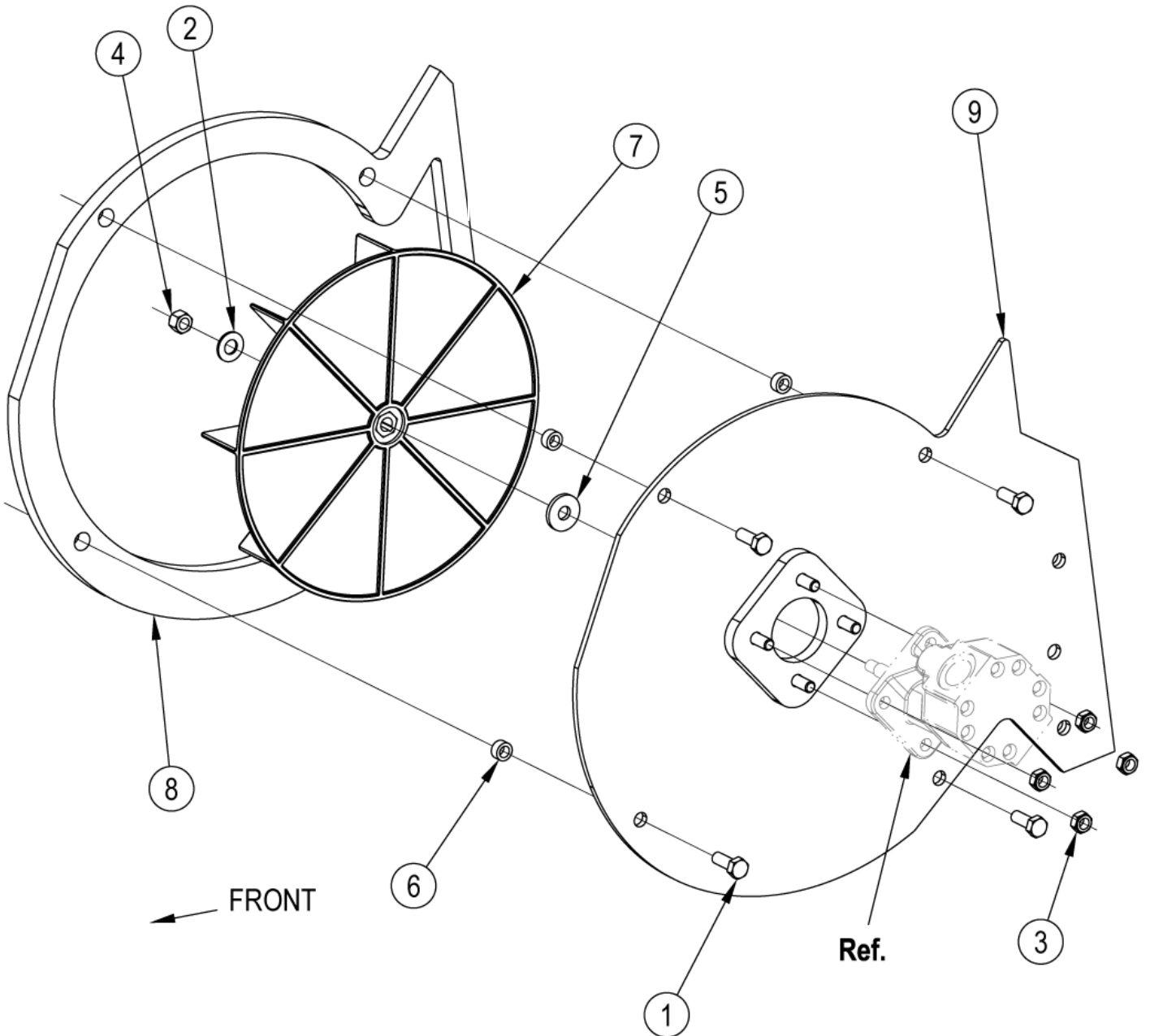
DUST CONTROL SYSTEM-2

SW8000

05-04-2015

Part List ID
SW800020

22



DUST CONTROL SYSTEM-2

SW8000

05-04-2015

Part List ID
SW800020

23

Pos	Part no.	Qty	Description
0	56507059	1	VACUUM FAN ASSEMBLY
1	56002037	4	SCR HEX 5/16-18 X .88
2	56002063	1	WSH FLT SAE 3/8
3	56002826	4	NUT HEX NYL LOC-THIN 5/16-18
4	56002950	1	NUT HEX NYL LOC 5/16-24
5	56009107	1	WSH FLT SS .378/.373X1.00X.075
6	56052581	4	SPACER STL--.315IDX.50OD .25L
7	56418897	1	IMPELLOR
8	56507198	1	SEAL VACUUM FAN
9	56507200	1	PLATE VAC MOTOR WELDMENT

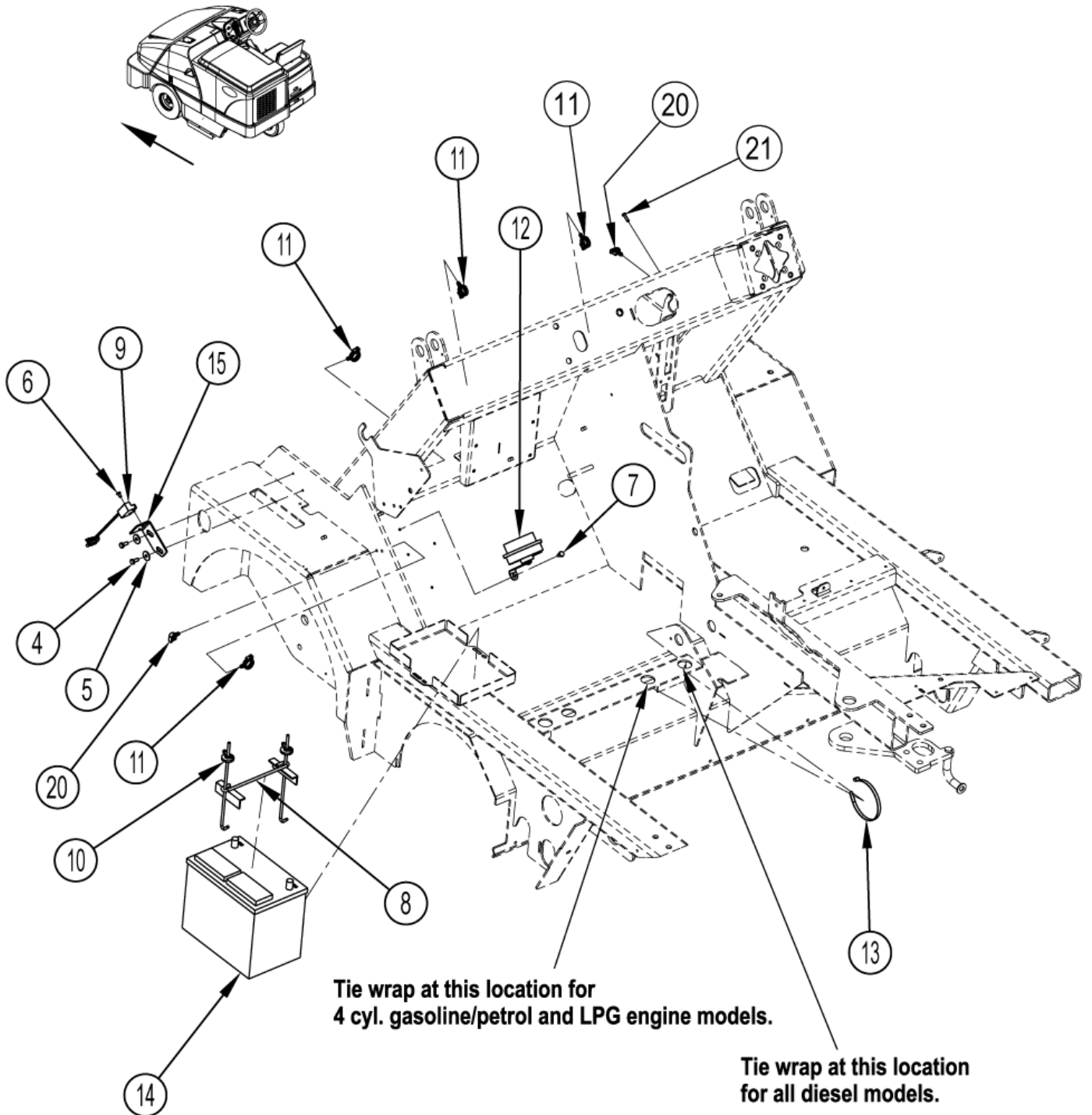
ELECTRICAL SYSTEM

SW8000

05-04-2015

Part List ID
SW800022

24



ELECTRICAL SYSTEM

SW8000

05-04-2015

Part List ID
SW8000ZZ

25

Pos	Part no.	Qty	Description	
0	56462361	1	CONN.WR.PK.2 WAY FE	Not Shown
0	56492305	1	BOOT	Not Shown
0	56493357	1	INSULATOR TERMINAL	Not Shown
4	56001836	2	SCR HEX 1/4 20 X .62	
5	56009002	2	WASHER FLAT .266X.906X.060	
6	56009030	1	SCR PAN PHIL THD FOM 10-24X.38	
7	56009033	1	SCR HEX THD FORM 1/4 20X.50	
8	56304445	1	BATTERY HOLD DOWN	
9	56305053	1	SENSOR PROXIMITY	
10	56305112	2	10 J TYPE HOLD DOWN	
11	56410247	4	CLIP .75 CONDUIT E00360	
12	56442054	1	HORN 12 VOLT CV438	
13	56477613	1	CABLE TIE E00549 RE409S	(LOCATION IS DEPENDENT UPON MODEL)
14	33019628	1	BATTERY START 12V 77 AH	
15	56381701	1	HARNESS-MAIN	Not Shown
15	56507457	1	MOUNT SENSOR	
15	56507679	1	WIRE ASM YEL/BLK 18-11	Not Shown (DIESEL MODELS ONLY)
15	56507680	1	CABLE POSITIVE BATTERY	Not Shown
15	56507681	1	CABLE NEGATIVE BATTERY	Not Shown
20	56107668	1	SWITCH KIT-OPERATOR PRESENCE	
20	56507793	3	CLIP CONDUIT	
20	56508006	1	HARNESS DIESEL RELAY	Not Shown (DIESEL MODELS ONLY)
20	56508010	1	WIRE ASM GRN/RED 10-1	Not Shown (DIESEL MODELS ONLY)
20	56508013	1	CABLE ASM BLK 6-1	Not Shown
21	56009005	1	SCR PANPHILS TYPE AB 10-16X.75	

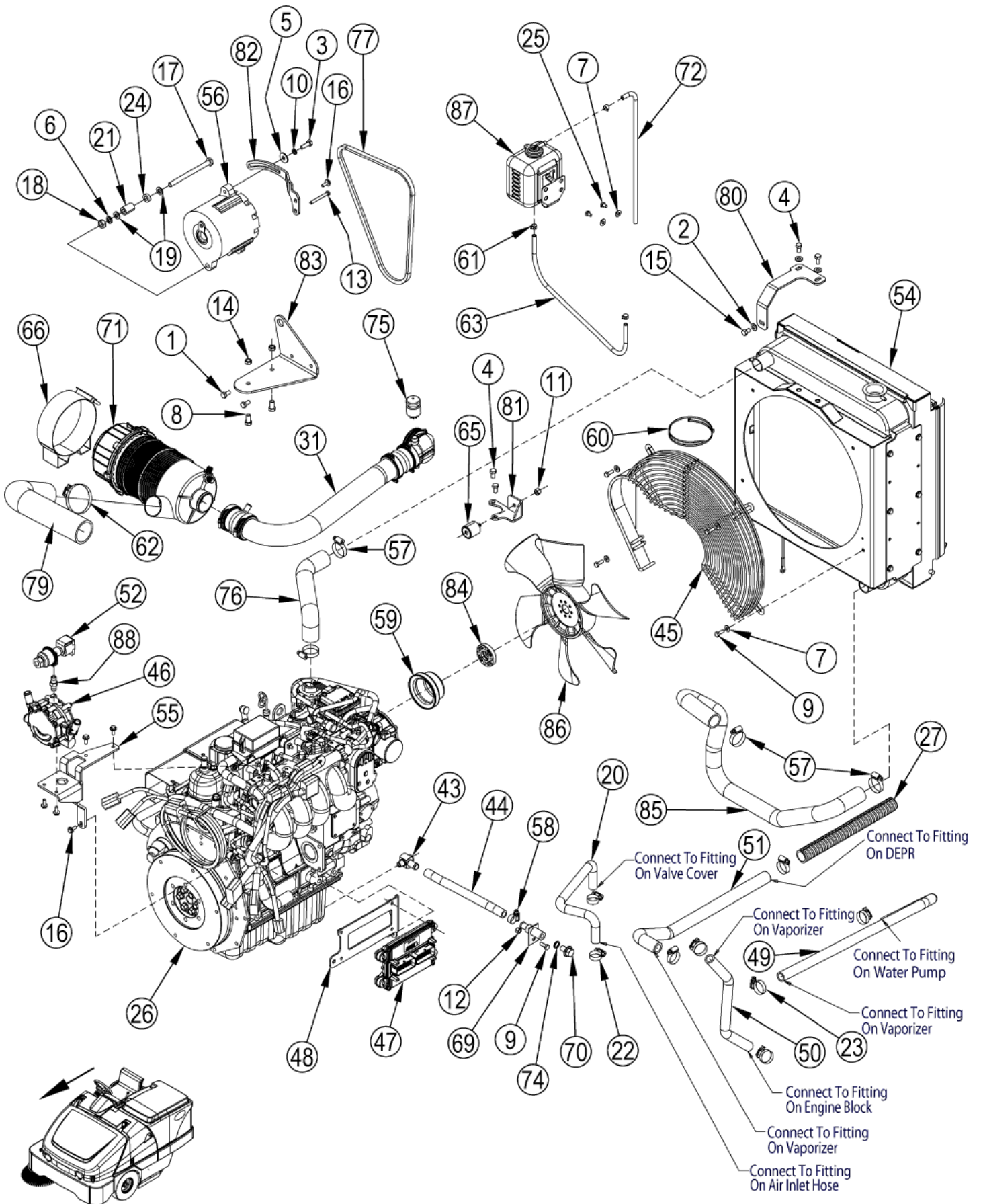
ENGINE LPG SYSTEM-1

SW8000

05-04-2015

Part List ID
SW800024

26



ENGINE LPG SYSTEM-1

SW8000

05-04-2015

Part List ID
SW800024

27

Pos	Part no.	Qty	Description
1	56003178	2	SCR HEX THD TO HD M8-1.25X16MM
2	56001939	9	WSH FLT SAE 5/16
3	56003436	1	SCR HEX SS M8-1.25X25MM
4	56002035	4	SCR HEX 5/16 18 X .62
5	56003646	1	WSH FLT SS M8
6	56003684	1	WSH NORD LOCK M10
7	56002098	6	WSH FLT SAE 1/4
8	56002127	2	SCR HEX 3/8-16 X .75
9	56002155	5	SCR HEX 1/4-20 X .75
10	56003685	1	WASHER NORD LOC M8
11	56002701	1	NUT HEX NYL LOC 5/16-18
12	56002708	1	NUT HEX NYL LOC 1/4-20
13	56003764	1	SCR HEX M6-1 X 55MM
14	56002841	2	NUT HEX NYL LOC-THIN 3/8-16
15	56002923	1	SCR HEX LOC 5/16-18 X .50
16	56003943	6	SCR-HEX FLANGE SS M6-1 X 16MM
17	56003944	1	SCR-HEX M10-1.25 X 130MM
18	56003945	1	NUT-HEX M10-1.25
19	56009214	2	WSH FLT .406X.750X.090
20	56107735	1	HOSE BREATHER
21	56107747	1	SPACER
22	56112771	2	CLAMP HOSE SAE 10 E00047
23	56244969	6	CLAMP HOSE SAE 12 E00047
24	56507795	1	SPACER COIL BRACKET
25	56009019	2	SCR HEX THD FORM 1/4-20X .38
26		1	NOTE COMMENT Engine Base-Kubota 4-Cyl LPG NOTE 1
27	56459890	1	CONDUIT
31	56107577	1	HOSE INTAKE ASSY LP
43	56107618	1	REMOTE OIL DRAIN VALVE ASSY
44	56107620	1	HOSE-HYDRAULIC
45	56107643	1	FAN GUARD ASSY
46	56107646	1	VAPORIZER
47	56107647	1	ECU-KUBOTA LPG
48	56107648	1	ECU-MOUNT PLATE
49	56107649	1	HOSE-COOLANT-VAPORIZER RETURN
50	56107650	1	HOSE-COOLANT-VAPORIZER SUPPLY
51	56107651	1	LPG HOSE-VAPORIZER
52	56107652	1	FUEL-SOLENOID
53	56107653	1	OPERATOR MANUAL
54		1	NOTE COMMENT Radiator Assy-6 Fin (See Radiator Assembly)
55	56107676	1	BRACKET-VAPORIZER
56	56110738	1	ALTERNATOR 105 AMP
56	56510971	1	PULLEY-ALTERNATOR

ENGINE LPG SYSTEM-1

SW8000

05-04-2015

Part List ID
SW800024

28

Pos	Part no.	Qty	Description
57	56131601	4	CLAMP HOSE SAE 16 E00047
58	56219932	1	CLAMP HOSE SAE 6 E00047
59	56307249	1	PULLEY FAN 89MM
60	56478523	2	CABLE TIE E00549
61	56419118	3	CLAMP HOSE BAND 56E00615
62	56456797	1	CLAMP HOSE
63	56465028	1	HOSE ASSY 1/4X22.00 E00529
65	56507372	1	ISOLATOR ENGINE
66	56507389	1	BAND AIR CLEANER
69	56507496	1	REMOTE OIL DRAIN OUTLET
70	56507497	1	OIL DRAIN PLUG
71	56384031	1	AIR CLEANER ASSY
71	7-24-04065	1	FILTER AIR MAIN ELEMENT
71	7-24-04066	1	FILTER AIR SAFETY ELEMENT
72	56507798	1	HOSE COOLANT OVERFLOW
74	56507998	1	SEAL
75	56507999	1	INDICATOR AIR
76	56508378	1	HOSE UPPER RADIATOR
77	56508393	1	BELT VEE
79	56508404	1	HOSE AIR INTAKE
80	56508427	1	BRACKET RADIATOR SUPPORT
81	56508428	1	BRACKET RADIATOR ISO SUPPORT
82	56508429	1	BRACKET ALTERNATOR
83	56508938	1	BRACKET AIR FILTER
84	56508941	1	SPACER FAN
85	56508942	1	HOSE LOWER COOLANT
86	56510140	1	FAN-COOLING
87	7-07-02002	1	OVERFLOW BOTTLE ASSY
88	2-00-05674	1	FTG-1/4NPT NIPPLE BRASS

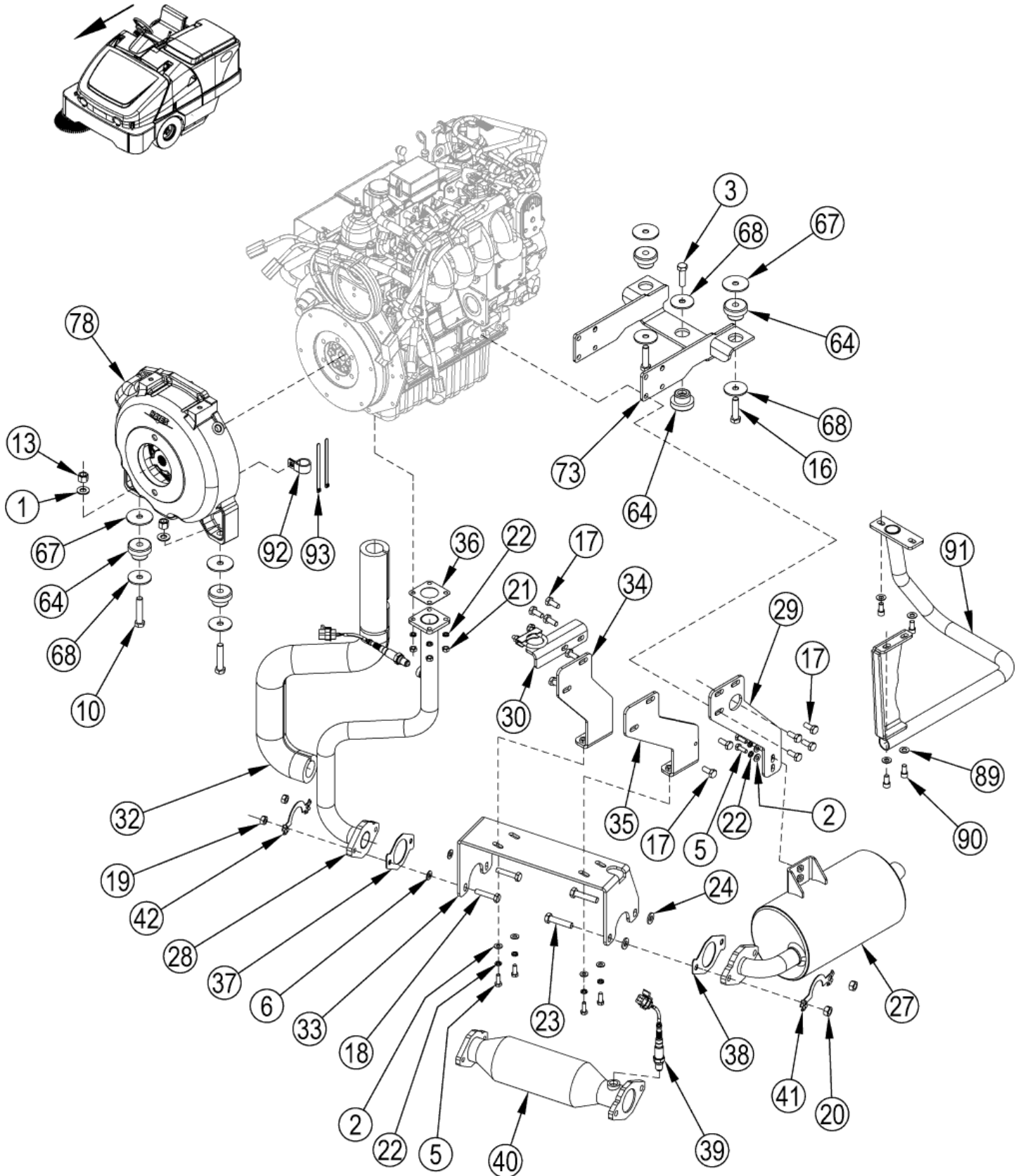
ENGINE LPG SYSTEM-2

SW8000

05-04-2015

Part List ID
SW800026

29



ENGINE LPG SYSTEM-2

SW8000

05-04-2015

Part List ID
SW800026

30

Pos	Part no.	Qty	Description
1	56001879	2	WSH FLT SAE 1/2
2	56001939	6	WSH FLT SAE 5/16
3	56001995	1	SCR HEX 1/2 13 X 1.75
5	56002037	6	SCR HEX 5/16-18 X .88
6	56002063	2	WSH FLT SAE 3/8
10	56002533	2	SCR HEX 1/2-13 X 2.50
13	56002770	2	NUT HEX NYL LOC 1/2-13
16	56002983	2	SCR HEX 1/2-13 X 2.00
17	56003019	12	SCR HEX M10-1.25 X 25 MM
18	56003021	2	SCR HEX M10-1.25 X 50 MM
19	56003409	2	NUT HEX M10-1.5
20	56003410	2	NUT-HEX M12-1.75
21	56003352	4	NUT HEX M8
22	56003685	10	WASHER NORD LOC M8
23	56003708	2	SCR HEX M12-1.75 X 55MM
24	56003889	2	WSH-FLT 12MM
27	56107550	1	MUFFLER
28	56107558	1	EXHAUST TUBE WELDMENT
29	56107566	1	HANGER MUFFLER
30	56107568	1	CLAMP BRACKET WELDMENT
32	56107581	1	BLANKET EXHAUST
33	56107582	1	HANGER CATALYTIC
34	56107585	1	MOUNT RT WELDMENT
35	56107586	1	MOUNT LT WELDMENT
36	56107590	1	GASKET MANIFOLD
37	56107591	1	GASKET CAT INLET
38	56107592	1	GASKET CAT OUTLET
39	56107613	2	SENSOR OXYGEN
40	56107614	1	CATALYST KUBOTA
41	56107616	1	LOCK SCREW
42	56107617	1	LOCK SCREW
64	56478685	5	MOUNT ENGINE RE446H
67	56507444	4	WASHER ISOLATOR HEAD
68	56507448	5	WASHER ISOLATOR TAIL
73	56507988	1	BRACKET ENGINE MOUNT DIESEL
78	56508403	1	BELL HOUSING
89	56002063	4	WSH FLT SAE 3/8
90	56003080	4	SCR SOC HD 3/8-16 X 0.75
91	56107645	1	GUARD MUFFLER WELDT
92	56303651	1	CLAMP P CL-16
93	2-00-04345	2	TY-RAP THOMAS+BETTS-TY-28M

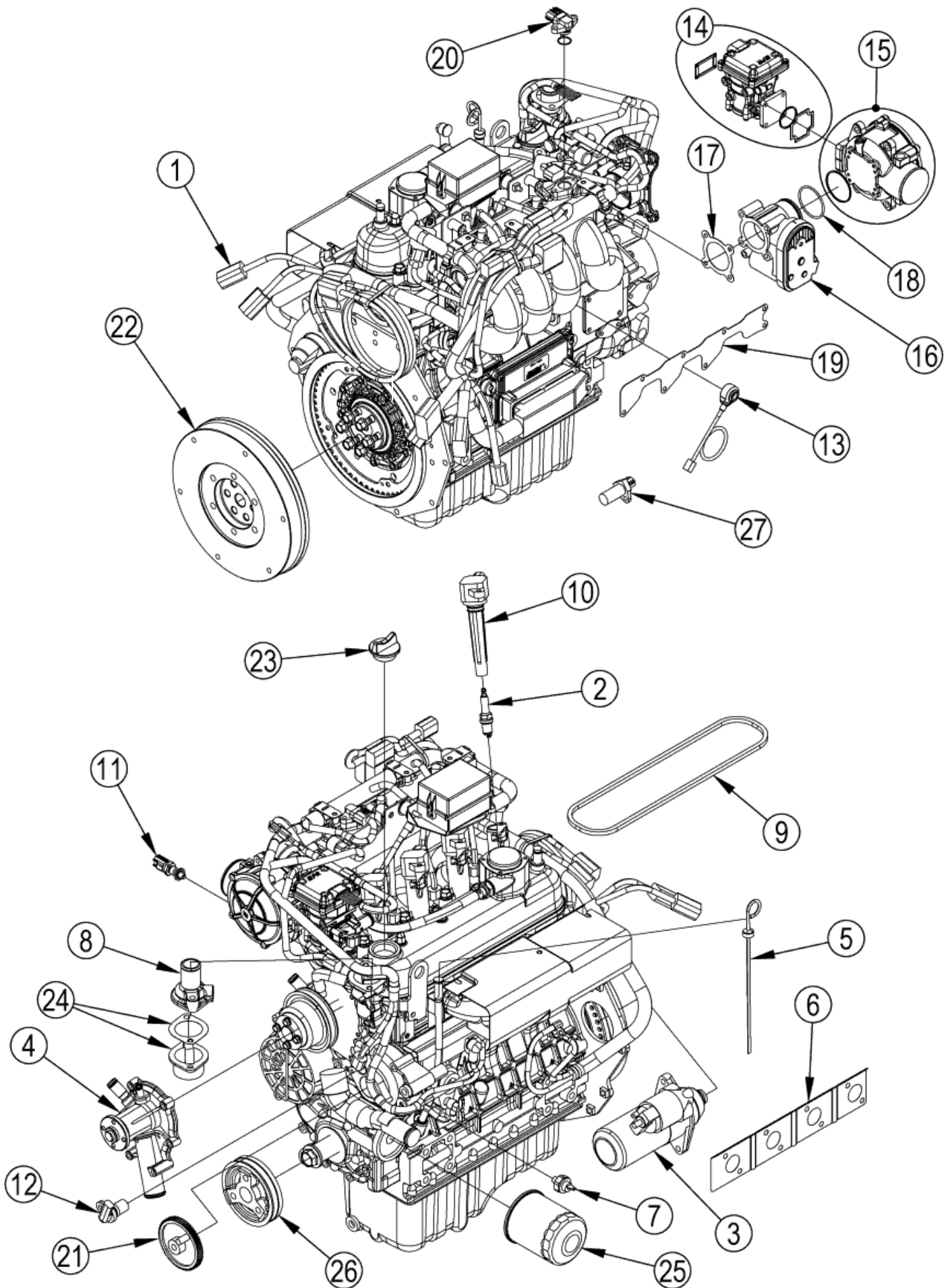
ENGINE BASE ASSY - LPG

SW8000

05-04-2015

Part List ID
SW800026A

31



ENGINE BASE ASSY - LPG

SW8000

05-04-2015

Part List ID
SW8000Z6A

32

Pos	Part no.	Qty	Description	
1	56107705	1	HARNESS-KUBOTA 4 CYL LPG	
2	56107706	4	SPARK PLUG	
3	56107707	1	STARTER	
4	56107708	1	WATER PUMP ASSY-LPG	
5	56107710	1	DIPSTICK	
6	56107711	1	GASKET-EXHAUST MANIFOLD	
7	56107712	1	OIL PRESSURE SWITCH	
8	56107716	1	COVER-THERMOSTAT	
9	56107717	1	GASKET-VALVE COVER	
10	56107718	4	IGNITION COIL	
11	56107721	1	WATER TEMP SENSOR W/SEAL	
12	56107736	1	CAM SENSOR	
13	56107737	1	KNOCK SENSOR	
14	56107738	1	DEPR ASSY	
15	56107739	1	MIXER ASSY	
16	56107740	1	THROTTLE BODY	
17	56107741	1	GASKET THROTTLE BODY	
18	56107742	1	O-RING	
19	56107743	1	GASKET INTAKE MANIFOLD	
20	56107744	1	TMAP SENSOR	
21	56107745	1	CAM GEAR	
22	56107746	1	FLYWHEEL	
23	56383025	1	CAP-OIL FILL	
24	56508454	1	THERMOSTAT KIT	
25	56508487	1	OIL FILTER CARTRIDGE	
26	56510973	1	PULLEY-CRANKSHAFT	
27	2-00-06354	1	CRANK/RPM SENSOR	
100	56107713	1	GASKET SET-UPPER	Not shown
100	56107714	1	GASKET SET-LOWER	Not shown
100	56107748	2	FUSE-15 AMP	Not shown
100	56107749	1	FUSE-10 AMP	Not shown
100	56107750	2	FUSE-5 AMP	Not shown
100	56107751	1	MICRO RELAY-35A/20A	Not shown
100	56107752	1	MINI RELAY-50A/30A	Not shown

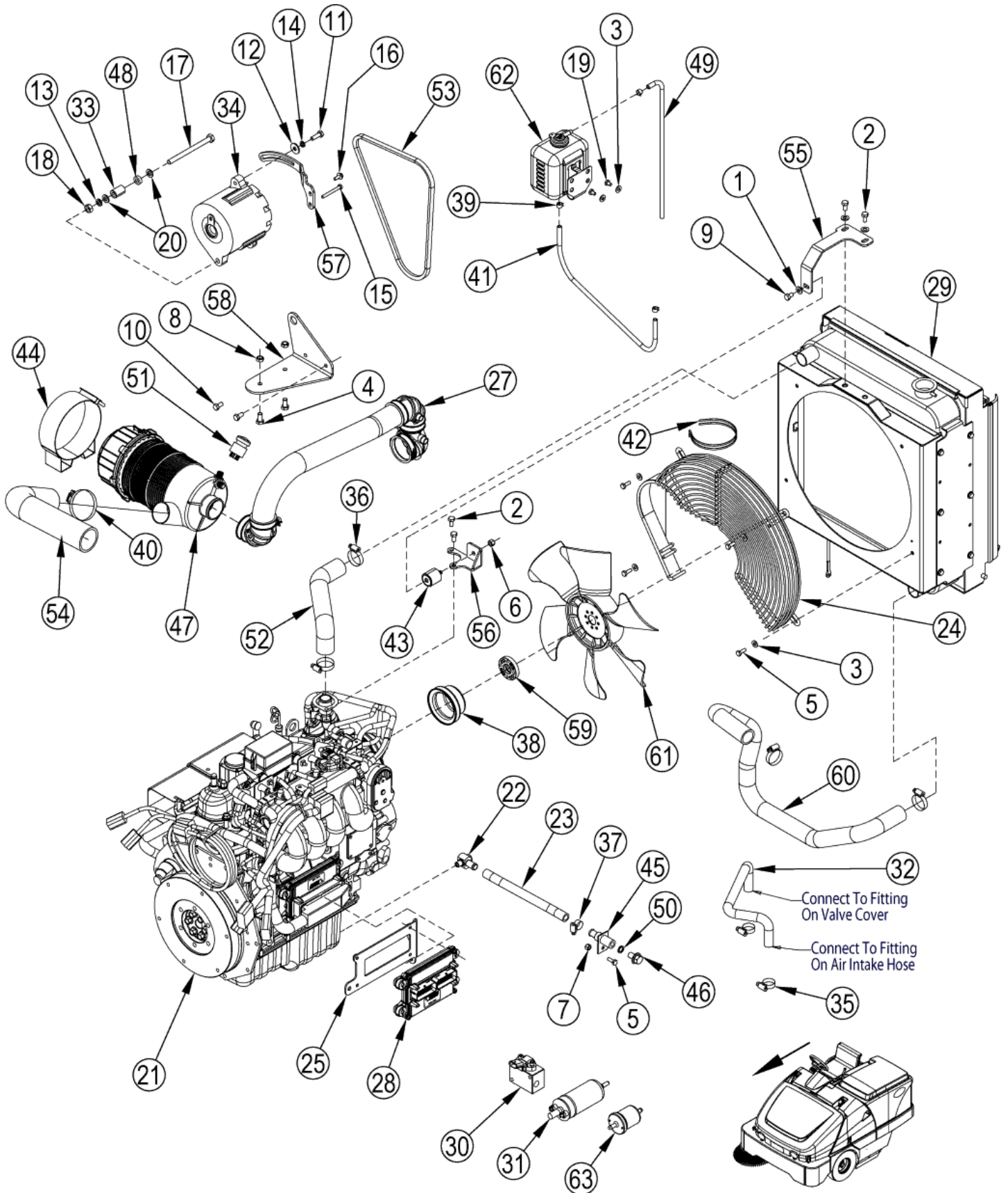
ENGINE PETROL SYSTEM-1

SW8000

05-04-2015

Part List ID
SW800028

33



ENGINE PETROL SYSTEM-1

SW8000

05-04-2015

Part List ID
SW800028

34

Pos	Part no.	Qty	Description
1	56001939	3	WSH FLT SAE 5/16
2	56002035	4	SCR HEX 5/16 18 X .62
3	56002098	6	WSH FLT SAE 1/4
4	56002127	2	SCR HEX 3/8-16 X .75
5	56002155	5	SCR HEX 1/4-20 X .75
6	56002701	1	NUT HEX NYL LOC 5/16-18
7	56002708	1	NUT HEX NYL LOC 1/4-20
8	56002841	2	NUT HEX NYL LOC-THIN 3/8-16
9	56002923	1	SCR HEX LOC 5/16-18 X .50
10	56003178	2	SCR HEX THD TO HD M8-1.25X16MM
11	56003436	1	SCR HEX SS M8-1.25X25MM
12	56003646	1	WSH FLT SS M8
13	56003684	1	WSH NORD LOCK M10
14	56003685	1	WASHER NORD LOC M8
15	56003764	1	SCR HEX M6-1 X 55MM
16	56003943	1	SCR-HEX FLANGE SS M6-1 X 16MM
17	56003944	1	SCR-HEX M10-1.25 X 130MM
18	56003945	1	NUT-HEX M10-1.25
19	56009019	2	SCR HEX THD FORM 1/4-20X .38
20	56009214	2	WSH FLT .406X.750X.090
21		1	NOTE COMMENT Engine Base-Kubota 4cyl Petrol
22	56107618	1	REMOTE OIL DRAIN VALVE ASSY
23	56107620	1	HOSE-HYDRAULIC
24	56107643	1	FAN GUARD ASSY
25	56107648	1	ECU-MOUNT PLATE
26	56107653	1	OPERATOR MANUAL
27	56107663	1	AIR INTAKE ASSY-PETROL
28	56107664	1	ECU-KUBOTA PETROL
29		1	NOTE COMMENT Radiator Assy-6 Fin (See Radiator Assembly)
30	56107670	1	FUEL MANIFOLD
31	56107671	1	FUEL PUMP
32	56107735	1	HOSE BREATHER
33	56107747	1	SPACER
34	56110738	1	ALTERNATOR 105 AMP
34	56510971	1	PULLEY-ALTERNATOR
35	56112771	2	CLAMP HOSE SAE 10 E00047
36	56131601	4	CLAMP HOSE SAE 16 E00047
37	56219932	1	CLAMP HOSE SAE 6 E00047
38	56307249	1	PULLEY FAN 89MM
39	56419118	3	CLAMP HOSE BAND 56E00615
40	56456797	1	CLAMP HOSE
41	56465028	1	HOSE ASSY 1/4X22.00 E00529
42	56478523	2	CABLE TIE E00549

ENGINE PETROL SYSTEM-1

SW8000

05-04-2015

Part List ID
SW800028

35

Pos	Part no.	Qty	Description
43	56507372	1	ISOLATOR ENGINE
44	56507389	1	BAND AIR CLEANER
45	56507496	1	REMOTE OIL DRAIN OUTLET
46	56507497	1	OIL DRAIN PLUG
47	56384031	1	AIR CLEANER ASSY
47	7-24-04065	1	FILTER AIR MAIN ELEMENT
47	7-24-04066	1	FILTER AIR SAFETY ELEMENT
48	56507795	1	SPACER COIL BRACKET
49	56507798	1	HOSE COOLANT OVERFLOW
50	56507998	1	SEAL
51	56507999	1	INDICATOR AIR
52	56508378	1	HOSE UPPER RADIATOR
53	56508393	1	BELT VEE
54	56508404	1	HOSE AIR INTAKE
55	56508427	1	BRACKET RADIATOR SUPPORT
56	56508428	1	BRACKET RADIATOR ISO SUPPORT
57	56508429	1	BRACKET ALTERNATOR
58	56508938	1	BRACKET AIR FILTER
59	56508941	1	SPACER FAN
60	56508942	1	HOSE LOWER COOLANT
61	56510140	1	FAN-COOLING
62	7-07-02002	1	OVERFLOW BOTTLE ASSY
63	7-24-04059	1	FUEL FILTER

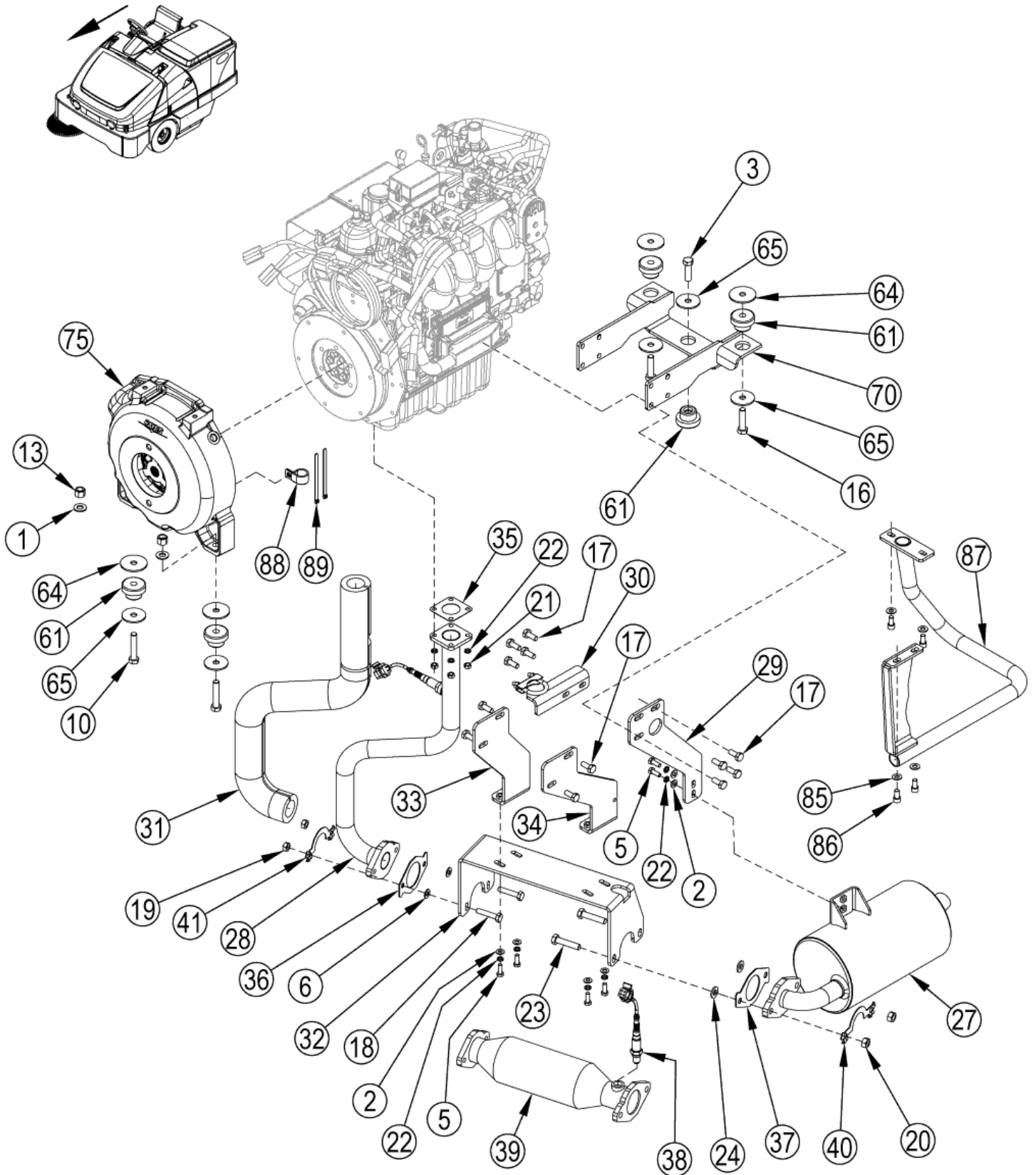
ENGINE PETROL SYSTEM-2

SW8000

05-04-2015

Part List ID
SW800030

36



ENGINE PETROL SYSTEM-2

SW8000

05-04-2015

Part List ID
SW800030

37

Pos	Part no.	Qty	Description
1	56001879	2	WSH FLT SAE 1/2
2	56001939	6	WSH FLT SAE 5/16
3	56001995	1	SCR HEX 1/2 13 X 1.75
5	56002037	6	SCR HEX 5/16-18 X .88
6	56002063	2	WSH FLT SAE 3/8
10	56002533	2	SCR HEX 1/2-13 X 2.50
13	56002770	2	NUT HEX NYL LOC 1/2-13
16	56002983	2	SCR HEX 1/2-13 X 2.00
17	56003019	12	SCR HEX M10-1.25 X 25 MM
18	56003021	2	SCR HEX M10-1.25 X 50 MM
19	56003409	2	NUT HEX M10-1.5
20	56003410	2	NUT-HEX M12-1.75
21	56003352	4	NUT HEX M8
22	56003685	10	WASHER NORD LOC M8
23	56003708	2	SCR HEX M12-1.75 X 55MM
24	56003889	2	WSH-FLT 12MM
27	56107550	1	MUFFLER
28	56107558	1	EXHAUST TUBE WELDMENT
29	56107566	1	HANGER MUFFLER
30	56107568	1	CLAMP BRACKET WELDMENT
31	56107581	1	BLANKET EXHAUST
32	56107582	1	HANGER CATALYTIC
33	56107585	1	MOUNT RT WELDMENT
34	56107586	1	MOUNT LT WELDMENT
35	56107590	1	GASKET MANIFOLD
36	56107591	1	GASKET CAT INLET
37	56107592	1	GASKET CAT OUTLET
38	56107613	2	SENSOR OXYGEN
39	56107614	1	CATALYST KUBOTA
40	56107616	1	LOCK SCREW
41	56107617	1	LOCK SCREW
61	56478685	5	MOUNT ENGINE RE446H
64	56507444	4	WASHER ISOLATOR HEAD
65	56507448	5	WASHER ISOLATOR TAIL
70	56507988	1	BRACKET ENGINE MOUNT DIESEL
75	56508403	1	BELL HOUSING
85	56002063	4	WSH FLT SAE 3/8
86	56003080	4	SCR SOC HD 3/8-16 X 0.75
87	56107645	1	GUARD MUFFLER WELDT
88	56303651	1	CLAMP P CL-16
89	2-00-04345	2	TY-RAP THOMAS+BETTS-TY-28M

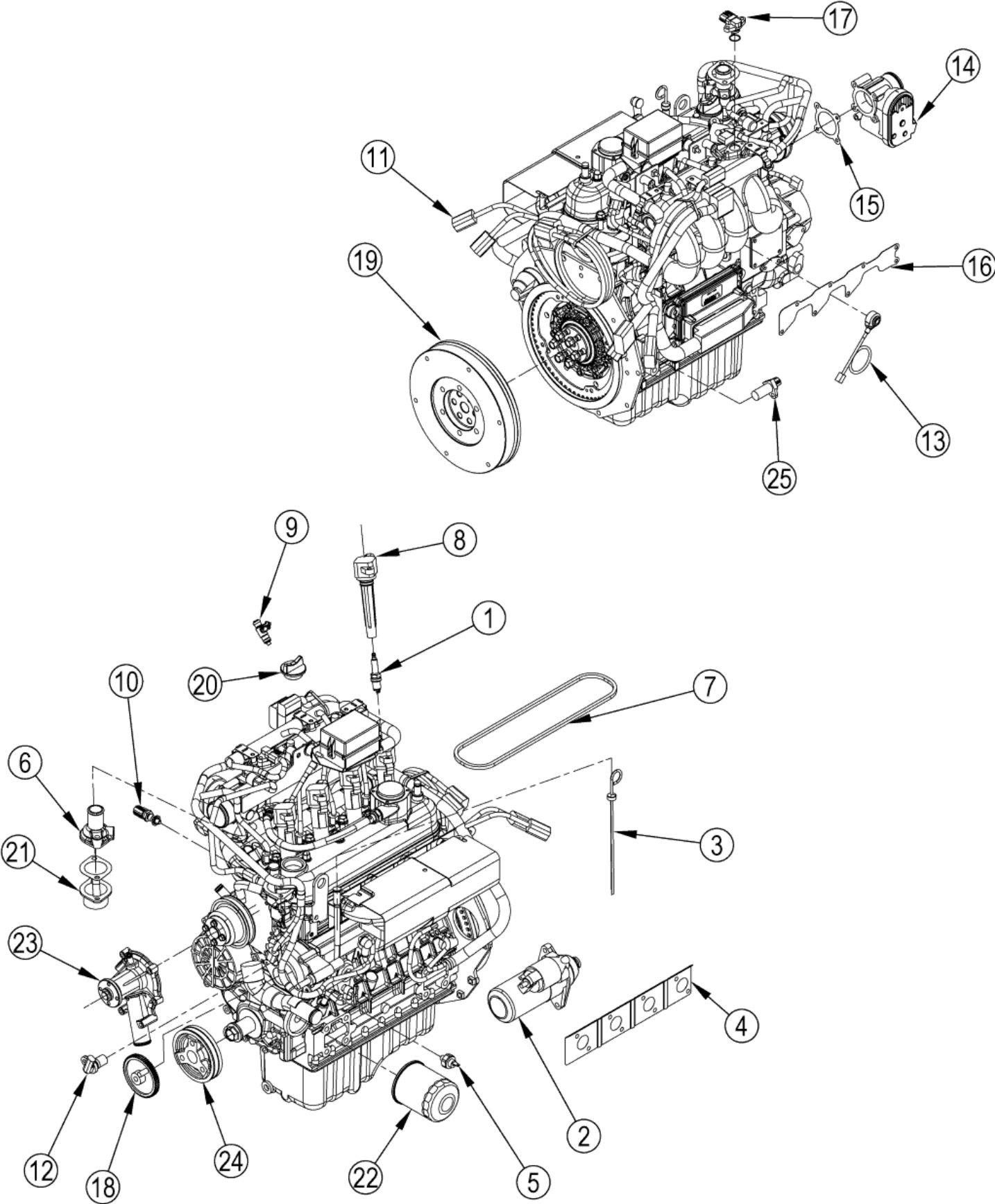
ENGINE BASE ASSY - PETROL

SW8000

05-04-2015

Part List ID
SW800030A

38



ENGINE BASE ASSY - PETROL

SW8000

05-04-2015

Part List ID
SW800030A

39

Pos	Part no.	Qty	Description	
1	56107706	4	SPARK PLUG	
2	56107707	1	STARTER	
3	56107710	1	DIPSTICK	
4	56107711	1	GASKET-EXHAUST MANIFOLD	
5	56107712	1	OIL PRESSURE SWITCH	
6	56107716	1	COVER-THERMOSTAT	
7	56107717	1	GASKET-VALVE COVER	
8	56107718	4	IGNITION COIL	
9	56107720	4	INJECTOR	
10	56107721	1	WATER TEMP SENSOR W/SEAL	
11	56107723	1	HARNESS-KUBOTA 4 CYL PETROL	
12	56107736	1	CAM SENSOR	
13	56107737	1	KNOCK SENSOR	
14	56107740	1	THROTTLE BODY	
15	56107741	1	GASKET THROTTLE BODY	
16	56107743	1	GASKET INTAKE MANIFOLD	
17	56107744	1	TMAP SENSOR	
18	56107745	1	CAM GEAR	
19	56107746	1	FLYWHEEL	
20	56383025	1	CAP-OIL FILL	
21	56508454	1	THERMOSTAT KIT	
22	56508487	1	OIL FILTER CARTRIDGE	
23	56510970	1	WATER PUMP-D1305	
24	56510973	1	PULLEY-CRANKSHAFT	
25	2-00-06354	1	CRANK/RPM SENSOR	
100	56107713	1	GASKET SET-UPPER	Not shown
100	56107714	1	GASKET SET-LOWER	Not shown
100	56107748	3	FUSE-15 AMP	Not shown
100	56107749	1	FUSE-10 AMP	Not shown
100	56107750	1	FUSE-5 AMP	Not shown
100	56107751	2	MICRO RELAY-35A/20A	Not shown
100	56107752	1	MINI RELAY-50A/30A	Not shown

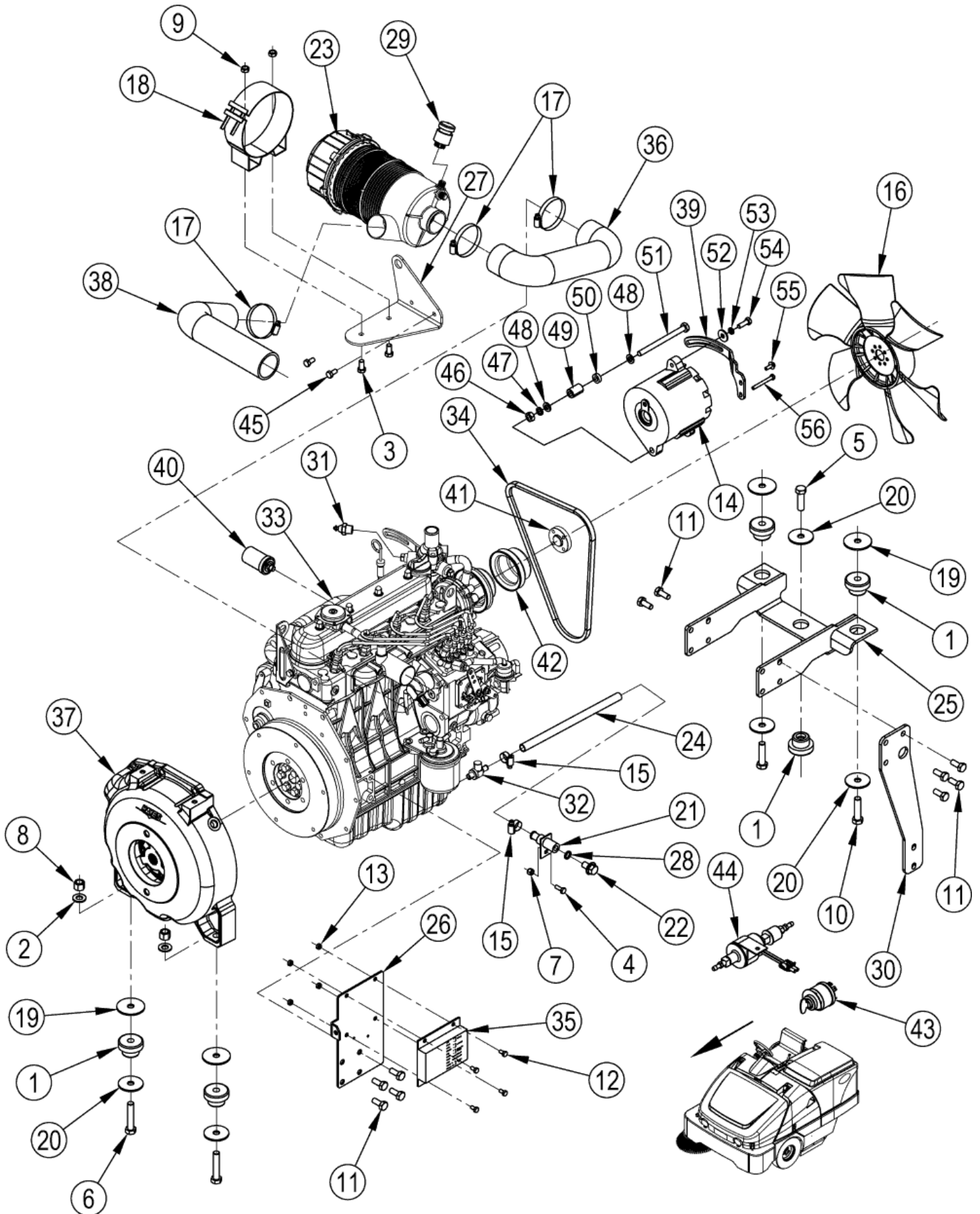
ENGINE [KUBOTA] DIESEL SYSTEM-1

SW8000

05-04-2015

Part List ID
SW800032

40



ENGINE [KUBOTA] DIESEL SYSTEM-1

SW8000

05-04-2015

Part List ID
SW800032

41

Pos	Part no.	Qty	Description
1	56478685	5	MOUNT ENGINE RE446H
2	56001879	2	WSH FLT SAE 1/2
3	56002127	2	SCR HEX 3/8-16 X .75
4	56002155	1	SCR HEX 1/4-20 X .75
5	56001995	1	SCR HEX 1/2 13 X 1.75
6	56002533	2	SCR HEX 1/2-13 X 2.50
7	56002708	1	NUT HEX NYL LOC 1/4-20
8	56002770	2	NUT HEX NYL LOC 1/2-13
9	56002841	2	NUT HEX NYL LOC-THIN 3/8-16
10	56002983	2	SCR HEX 1/2-13 X 2.00
11	56003019	10	SCR HEX M10-1.25 X 25 MM
12	56003155	4	SCR HEX M6-1.0 X 12MM
13	56003744	4	NUT SELF CLINCHING M6 X 1.0
14	56110738	1	ALTERNATOR 105 AMP
15	56219932	2	CLAMP HOSE SAE 6 E00047
16	56510140	1	FAN-COOLING
17	56456797	3	CLAMP HOSE
18	56507389	1	BAND AIR CLEANER
19	56507444	4	WASHER ISOLATOR HEAD
20	56507448	5	WASHER ISOLATOR TAIL
21	56507496	1	REMOTE OIL DRAIN OUTLET
22	56507497	1	OIL DRAIN PLUG
23	56384031	1	AIR CLEANER ASSY
23	7-24-04065	1	FILTER AIR MAIN ELEMENT
23	7-24-04066	1	FILTER AIR SAFETY ELEMENT
24	56507964	1	HOSE HYDRAULIC
25	56507988	1	BRACKET ENGINE MOUNT DIESEL
26	56507991	1	BRACKET FUEL PUMP
27	56508938	1	BRACKET AIR FILTER
28	56507998	1	SEAL
29	56507999	1	INDICATOR AIR
30	56508212	1	BRACKET MUFFLER HANGER
31	56419091	1	SWITCH TEMPERATURE
32	56508375	1	ADAPTER
33		1	NOTE COMMENT Engine, 4 Cyl Diesel
34	56508393	1	BELT VEE
35	56508400	1	GOVERNOR CONTROLLER
36	56508402	1	HOSE AIR INTAKE
37	56508403	1	BELL HOUSING
38	56508404	1	HOSE AIR INTAKE
39	56508004	1	HARNES KUBOTA DIESEL
39	56508429	1	BRACKET ALTERNATOR
40	56508444	1	SWITCH PRESSURE

NOTE 1: For replacement on model 56107517 order Fan 56462870.

ENGINE [KUBOTA] DIESEL SYSTEM-1

SW8000

05-04-2015

Part List ID
SW800032

42

Pos	Part no.	Qty	Description
41	56508941	1	SPACER FAN
42	56307249	1	PULLEY FAN 89MM
43	56497754	1	KEY SWITCH
44	56508355	1	FUEL PUMP ELECTRONIC
45	56003178	2	SCR HEX THD TO HD M8-1.25X16MM
46	56003945	1	NUT-HEX M10-1.25
47	56003684	1	WSH NORD LOCK M10
48	56009214	2	WSH FLT .406X.750X.090
49	56107747	1	SPACER
50	56507795	1	SPACER COIL BRACKET
51	56003944	1	SCR-HEX M10-1.25 X 130MM
52	56003646	1	WSH FLT SS M8
53	56003685	1	WASHER NORD LOC M8
54	56003436	1	SCR HEX SS M8-1.25X25MM
55	56003943	1	SCR-HEX FLANGE SS M6-1 X 16MM
56	56003764	1	SCR HEX M6-1 X 55MM

NOTE 1: For replacement on model 56107517 order Fan 56462870.

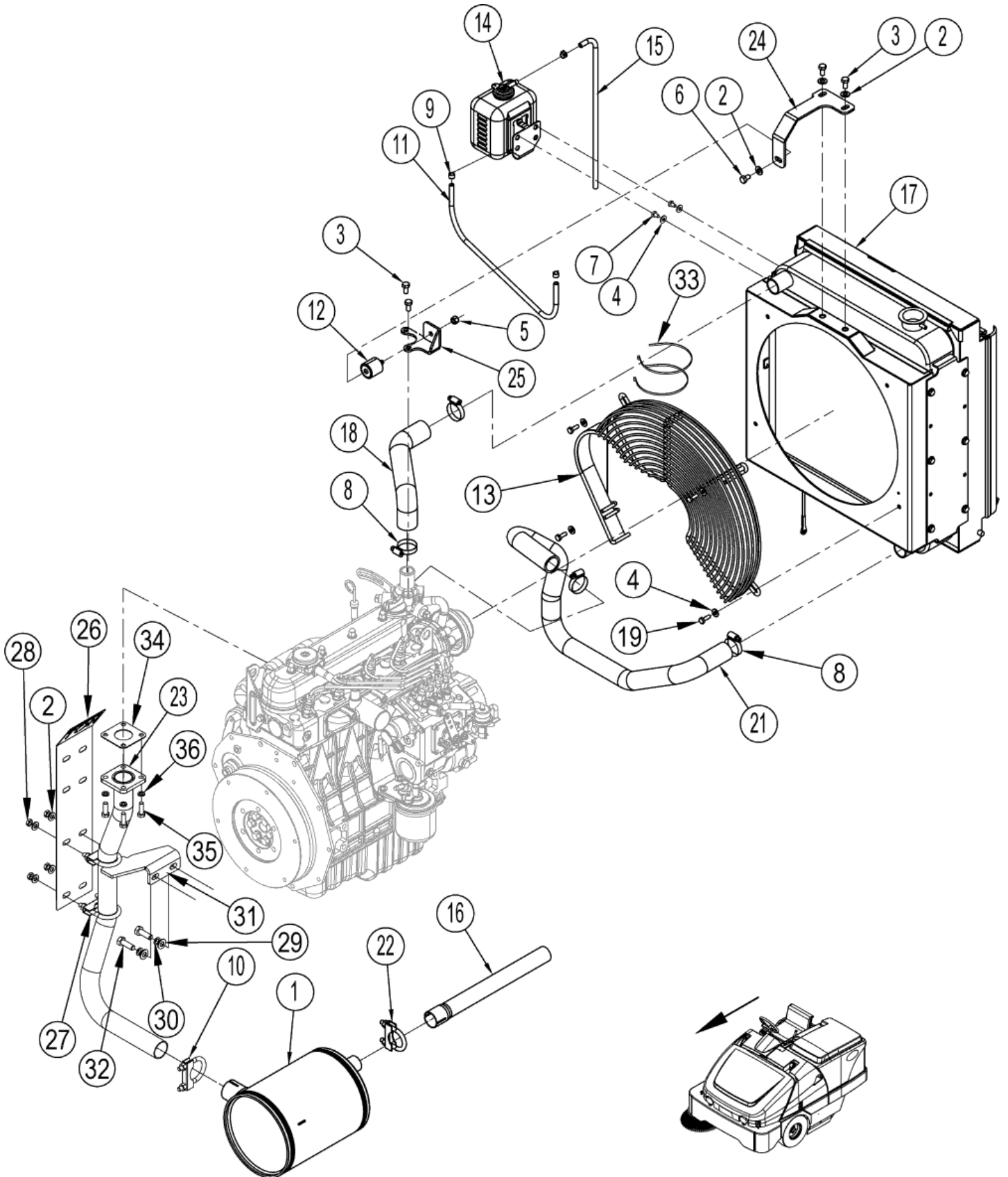
ENGINE [KUBOTA] DIESEL SYSTEM-2

SW8000

05-04-2015

Part List ID
SW800034

43



ENGINE [KUBOTA] DIESEL SYSTEM-2

SW8000

05-04-2015

Part List ID
SW800034

44

Pos	Part no.	Qty	Description
1	7-49-00038	1	MUFFLER SC 7740
2	56001939	7	WSH FLT SAE 5/16
3	56002035	4	SCR HEX 5/16 18 X .62
4	56002098	6	WSH FLT SAE 1/4
5	56002701	1	NUT HEX NYL LOC 5/16-18
6	56002923	1	SCR HEX LOC 5/16-18 X .50
7	56009019	2	SCR HEX THD FORM 1/4-20X .38
8	56131601	5	CLAMP HOSE SAE 16 E00047
9	56419118	3	CLAMP HOSE BAND 56E00615
10	56456833	1	MUFFLER CLAMP 1 5/8 E00025
11	56465028	1	HOSE ASSY 1/4X22.00 E00529
12	56507372	1	ISOLATOR ENGINE
13	56107643	1	FAN GUARD ASSY
14	7-07-02002	1	OVERFLOW BOTTLE ASSY
15	56507798	1	HOSE COOLANT OVERFLOW
16	56507871	1	TAIL PIPE
17		1	NOTE COMMENT Radiator Assy (See Radiator Assembly)
18	56508378	1	HOSE UPPER RADIATOR
19	56002155	4	SCR HEX 1/4-20 X .75
21	56381962	1	HOSE LOWER RADIATOR
21	56508942	1	HOSE LOWER COOLANT
22	56508391	1	CLAMP MUFFLER
23	56508397	1	EXHAUST ASSEMBLY
24	56508427	1	BRACKET RADIATOR SUPPORT
25	56508428	1	BRACKET RADIATOR ISO SUPPORT
26	56507449	1	SHIELD EXHAUST HEAT
27	56343236	2	CLAMP MUFFLER AS42U E00025
28	56009086	4	NUT HEX JAM 5/16 18
29	56002063	2	WSH FLT SAE 3/8
30	2-00-02310	2	LK WASH HELICAL SPR ZN
31	56508910	1	EXHAUST PIPE BRACKET
32	2-00-05961	2	SCREW HHC M10 X 1.25 X 30MM
33	56478523	2	CABLE TIE E00549
34	56419107	1	EXHAUST GASKET
35	56003436	4	SCR HEX SS M8-1.25X25MM
36	56003685	4	WASHER NORD LOC M8

NOTE 1: Replacement part for rubber elbow which connects directly to the water pump.

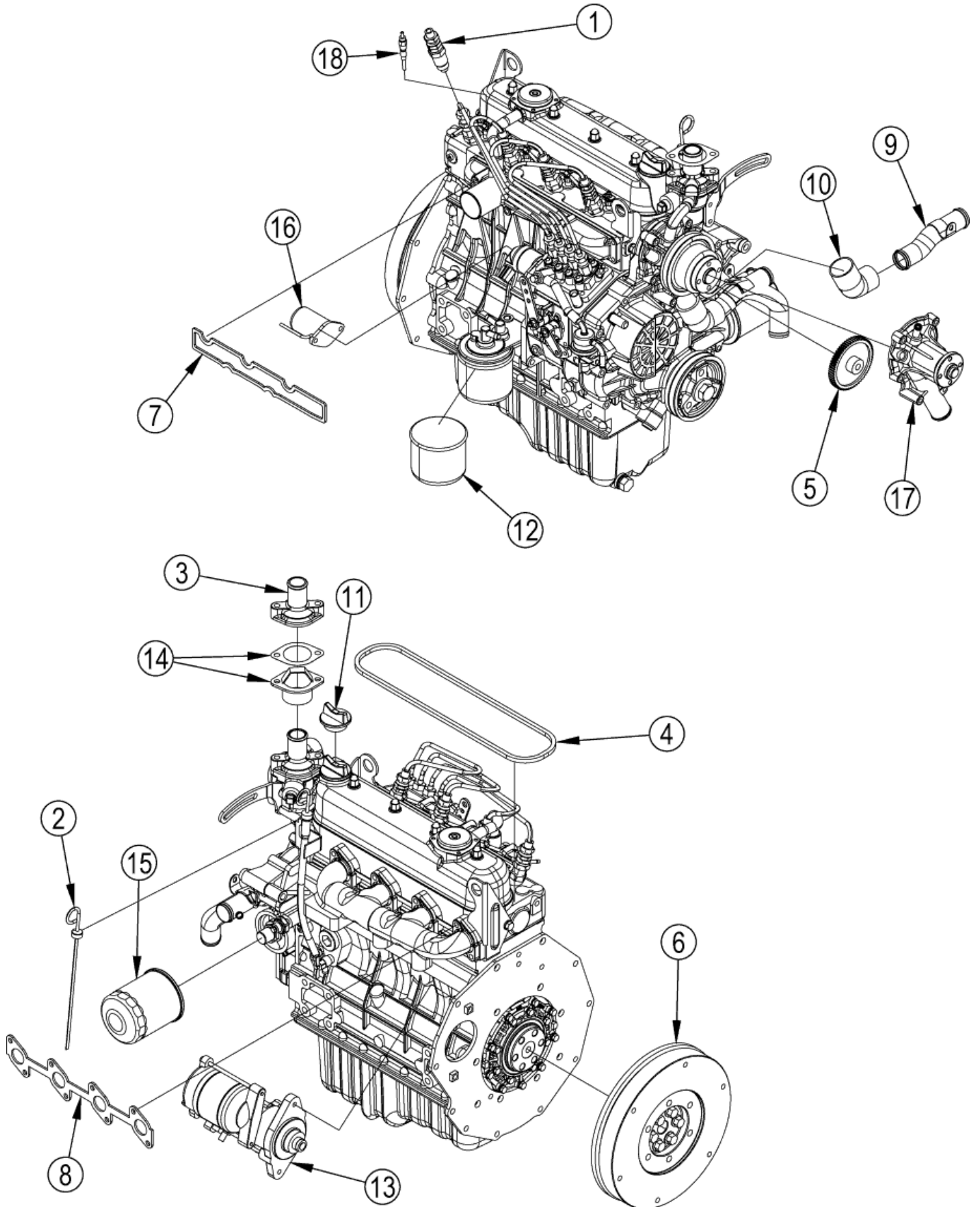
ENGINE BASE ASSY - (KUBOTA) DIESEL

SW8000

05-04-2015

Part List ID
SW800034A

45



ENGINE BASE ASSY - (KUBOTA) DIESEL

SW8000

05-04-2015

Part List ID
SW800034A

46

Pos	Part no.	Qty	Description	
1	33019750	4	IGNITION UNIT	
2	56107710	1	DIPSTICK	
3	56107716	1	COVER-THERMOSTAT	
4	56107717	1	GASKET-VALVE COVER	
5	56107758	1	CAM GEAR	
6	56107759	1	FLYWHEEL	
7	56107760	1	GASKET INTAKE	
8	56107761	1	GASKET EXHAUST	
9	56381961	1	TUBE COOLANT	
10	56381962	1	HOSE LOWER RADIATOR	
11	56383025	1	CAP-OIL FILL	
12	56419086	1	FUEL FILTER CARTRIDGE	
13	56419089	1	STARTER MOTOR	
14	56508454	1	THERMOSTAT KIT	
15	56508487	1	OIL FILTER CARTRIDGE	
16	56508490	1	THROTTLE/SHUT DOWN ACTUATOR	
17	56510970	1	WATER PUMP-D1305	
18	56510975	4	GLOW PLUG	
100	56107762	1	GASKET SET-UPPER	Not shown
100	56107763	1	GASKET SET-LOWER	Not shown
100	56110738	1	ALTERNATOR 105 AMP	Not shown
100	56382861	1	COUPLING PUMP DRIVE-KUBOTA	Not shown
100	56419088	1	THERMOSTAT	Not shown
100	56419091	1	SWITCH TEMPERATURE	Not shown
100	56463590	1	GLOW PLUG TIMER	Not shown
100	56504545	1	SEAL-CRANK -OIL-FRONT	Not shown
100	56504546	1	SEAL-CRANK -OIL-REAR	Not shown
100	56508355	1	FUEL PUMP ELECTRONIC	Not shown
100	56508393	1	BELT VEE	Not shown
100	56508444	1	SWITCH PRESSURE	Not shown
100	56508470	1	OPERATOR MANUAL	Not shown
100	56508489	1	THERMOSTAT GASKET	Not shown

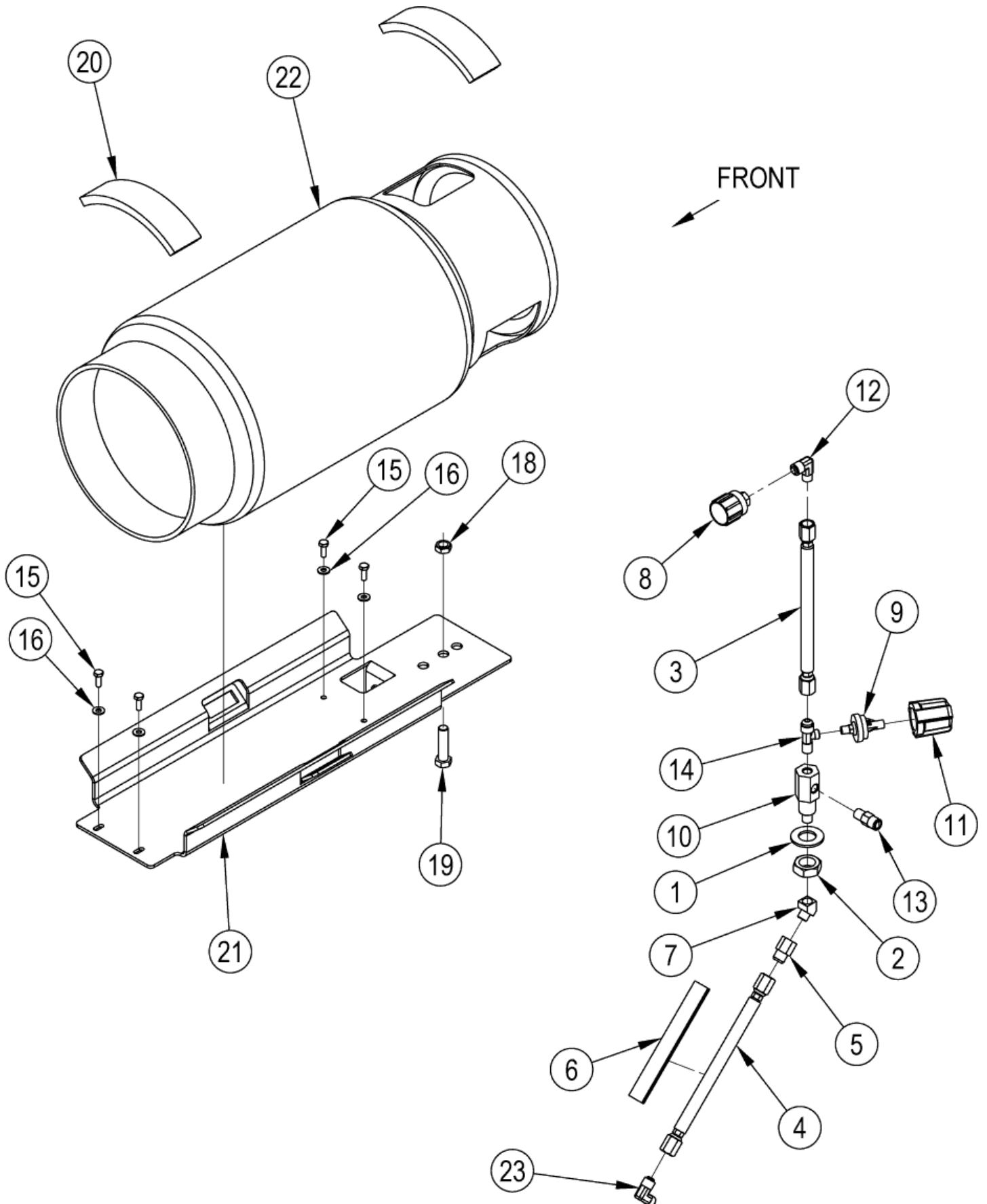
ENGINE LPG TANK & FILTER ASSY

SW8000

05-04-2015

Part List ID
SW800036

47



ENGINE LPG TANK & FILTER ASSY

SW8000

05-04-2015

Part List ID
SW800036

48

Pos	Part no.	Qty	Description
0	56507057	1	LPG TANK ASSEMBLY (items 15-22) (used on both Cab & Non-Cab models)
0	56507347	1	LPG FILTER ASSEMBLY (items 1-14) (used on Non-Cab models only)
1	56002228	1	WSH FLT SAE 7/8
2	56002615	1	NUT HEX JAM 7/8-14
3	56305503	1	LPG HOSE ASSEMBLY
4	56305504	1	LPG HOSE ASSEMBLY
5	56305505	1	ADAPTER SAE 45 DEGREE
6	56305506	1	CONDUIT
7	56368938	1	ELBOW ST 1/4X45 BR E00029
8	56369675	1	COUPLER FEMALE CV140P
9	56418381	1	SWITCH N C PRESSURE
10	56418934	1	FITTING BULKHEAD
11	56419241	1	DUST BOOT
12	56456608	1	ELBOW 90 DEG-4-6B E00034
13	56456624	1	VENT 1/4 NPT
14	56900921	1	TEE
15	56009033	4	SCR HEX THD FORM 1/4 20X.50
16	56002098	4	WSH FLT SAE 1/4
18	56002843	1	NUT HEX NYL LOC-THIN 1/2-13
19	56003740	1	SCR HEX THD TO HD 1/2-13X2.00
20	56507336	2	GASKET LPG TANK MOUNT
21	56507558	1	SUPPORT LPG TANK
22	56456590	1	L.P. TANK
23	56456608	1	ELBOW 90 DEG-4-6B E00034

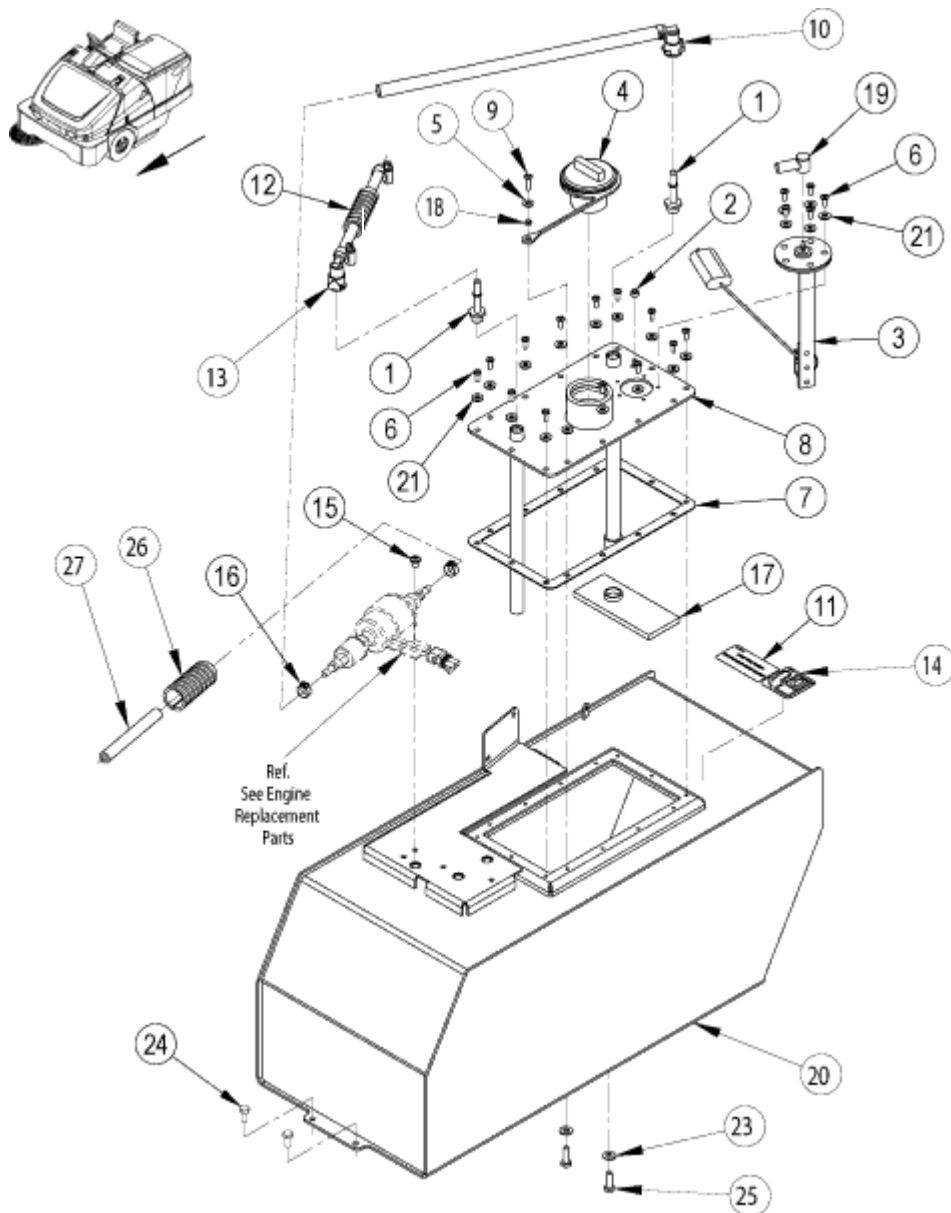
ENGINE [KUBOTA] DIESEL FUEL TANK ASS'

SW8000

05-04-2015

Part List ID
SW800038

49



ENGINE [KUBOTA] DIESEL FUEL TANK ASS'

SW8000

05-04-2015

Part List ID
SW800038

50

Pos	Part no.	Qty	Description
0	56508333	1	TANK DIESEL ASSY (items 1-11, 14-20)
1	7-11-04083	2	FITTING -6 STOR-5/16 SAE J2044
3	56478358	1	SENDER FUEL LEVEL RE437A
4	56508354	1	FUEL CAP
5	56001954	1	WSH FLT SAE 10
6	56001993	18	SCREW 10-24 X 0.5 ZINC PL
7	56508349	1	GASKET COVER
8	56508348	1	COVER PLATE WELDT
9	56002192	1	SCR PAN PHIL 10-24 X .75
10	56507957	1	HOSE ASSY
11	56109404	1	DECAL-LOW SULFUR DIESEL
12	56508654	1	CONDUIT
13	56508646	1	HOSE ASSY
14	56025454	1	DECAL DIESEL FUEL
15	56003603	1	SCR PAN PHILTHDFORM 1/4-20X.38
16	56508515	2	CLAMP
17	56419307	1	GASOLINE STRAINER-30 MICRON
18	56454275	1	BUSHING .20X.31X.12
19	56492305	1	BOOT
20	56507946	1	TANK FUEL WELDMENT
23	56002098	2	WSH FLT SAE 1/4
24	56009033	2	SCR HEX THD FORM 1/4 20X.50
25	56001821	2	SCR HEX 1/4 20 X .88
26	56508357	1	CONDUIT
27	56508358	1	HOSE FUEL LINE

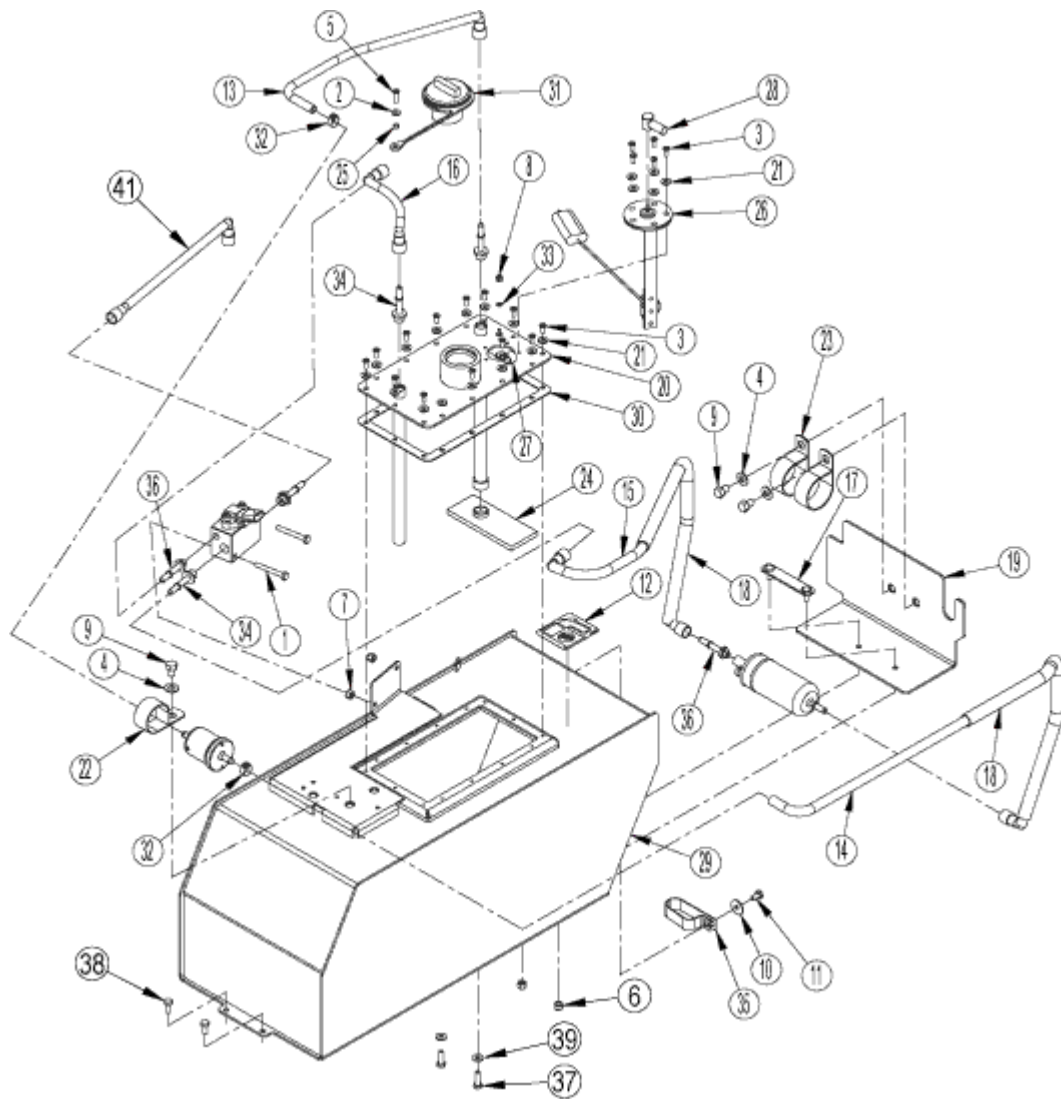
ENGINE PETROL FUEL TANK ASSY

SW8000

05-04-2015

Part List ID
SW800040

51



ENGINE PETROL FUEL TANK ASSY

SW8000

05-04-2015

Part List ID
SW800040

52

Pos	Part no.	Qty	Description	
0	56107666	1	TANK-PETROL ASSY	(items 1-36)
1	56001874	2	SCR HEX 1/4-20 X 2.00	
2	56001954	1	WSH FLT SAE 10	
3	56001993	18	SCREW 10-24 X 0.5 ZINC PL	
4	56002063	3	WSH FLT SAE 3/8	
5	56002192	1	SCR PAN PHIL 10-24 X .75	
6	56002491	2	NUT HEX NYL LOC SS 1/4-20	
7	56002708	2	NUT HEX NYL LOC 1/4-20	
8	56002808	1	NUT HEX NYL LOC 8-32	
9	56003023	3	SCR HEX LOC 3/8-16 X .50	
10	56009002	1	WASHER FLAT .266X.906X.060	
11	56009033	1	SCR HEX THD FORM 1/4 20X.50	
12	56016226	1	DECAL UNLEADED FUEL	
13	56107594	1	FUEL HOSE ASSY	
14	56107595	1	FUEL HOSE ASSY	
15	56107596	1	FUEL HOSE ASSY	
16	56107754	1	FUEL HOSE ASSY	
17	56107767	1	PLATE-SCREW	
18	56107772	2	CONDUIT-BLACK-20X.75	
19	56107773	1	GUARD-FUEL PUMP WELDMENT	
20	56107776	1	COVER PLATE WELDT	
21	56209261	19	WASHER SEALING	
22	56305024	1	CLAMP P	
23	56305492	2	CLAMP P	
24	56419307	1	GASOLINE STRAINER-30 MICRON	
25	56454275	1	BUSHING .20X.31X.12	
26	56478358	1	SENDER FUEL LEVEL RE437A	
27	56486112	1	CLAMP P	
28	56492305	1	BOOT	
29	56507946	1	TANK FUEL WELDMENT	
30	56508349	1	GASKET COVER	
31	56508354	1	FUEL CAP	
32	56508515	2	CLAMP	
33	2-00-00506	1	LK WASH INT TOOTH 8 DIA SCREW	
34	7-11-04083	4	FITTING -6 STOR-5/16 SAE J2044	
35	2-00-05253	1	CLAMP	
36	7-11-04084	2	FITTING -3 STOR-5/16 SAE J2044	
37	56001821	2	SCR HEX 1/4 20 X .88	
38	56009033	2	SCR HEX THD FORM 1/4 20X.50	
39	56002098	2	WSH FLT SAE 1/4	
41	56107597	1	FUEL HOSE ASSY	
50	56305790	1	WIRE ASM PIGTAIL	
50	56508003	1	HARNESS GASOLINE SENSOR	

ENGINE PETROL FUEL TANK ASSY

SW8000

05-04-2015

Part List ID
SW800040

53

Pos	Part no.	Qty	Description
-----	----------	-----	-------------

50	56508357	1	CONDUIT
----	----------	---	---------

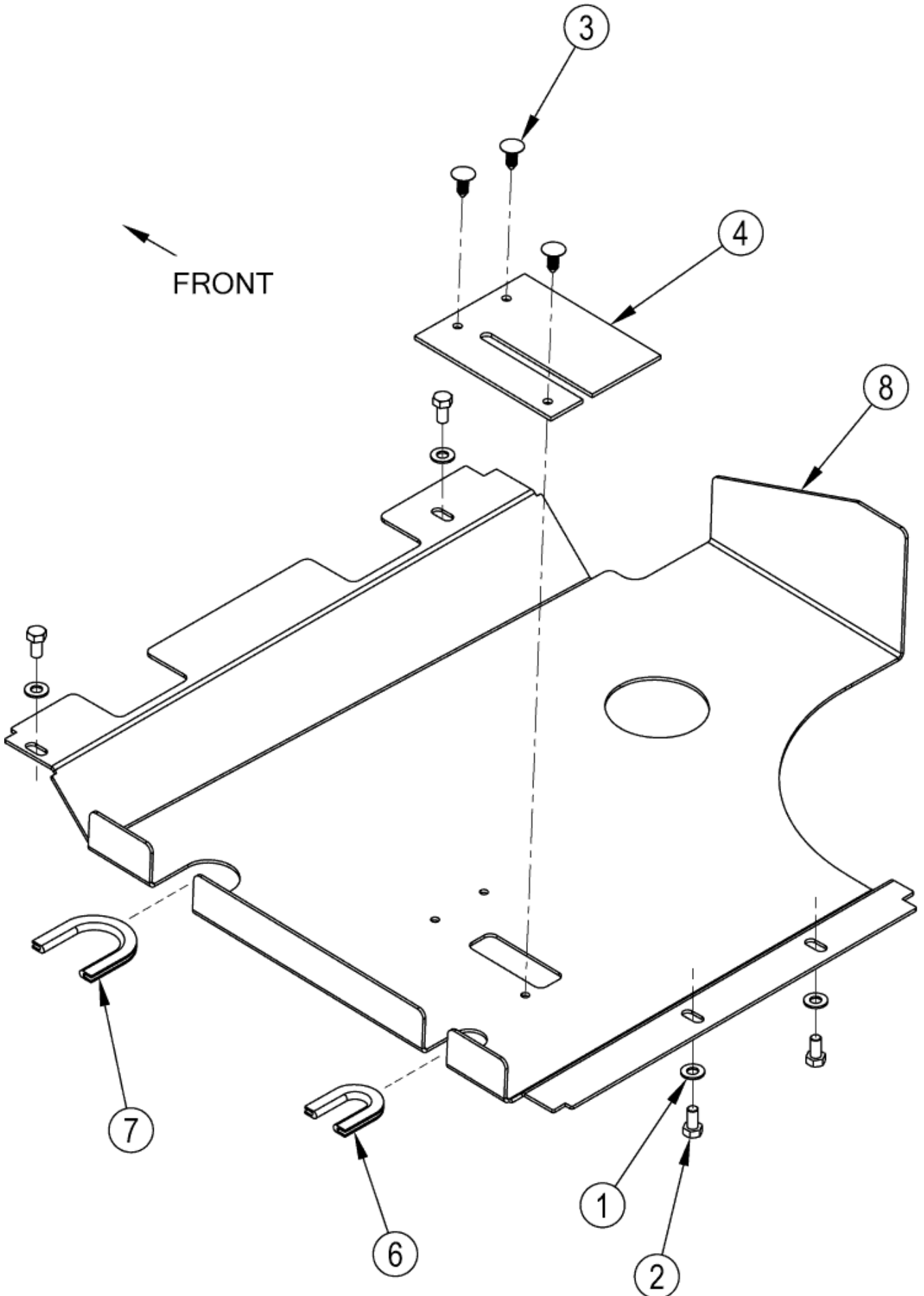
ENGINE BOTTOM COVER ASSY - DIESEL

SW8000

05-04-2015

Part List ID
SW800042

54



ENGINE BOTTOM COVER ASSY - DIESEL

SW8000

05-04-2015

Part List ID
SW800042

55

Pos	Part no.	Qty	Description
0	56107622	1	BOTTOM ENGINE COVER ASSY (items 1-8)
1	56001939	4	WSH FLT SAE 5/16
2	56002929	4	SCR HEX LOC 5/16-18 X .62
3	56003263	3	RIVET NYLON TREE PUSH IN.25
4	56107608	1	SEAL BOTTOM COVER
6	56107610	1	TRIM-EDGE
7	56107611	1	TRIM-EDGE
8	56107623	1	BOTTOM ENGINE COVER

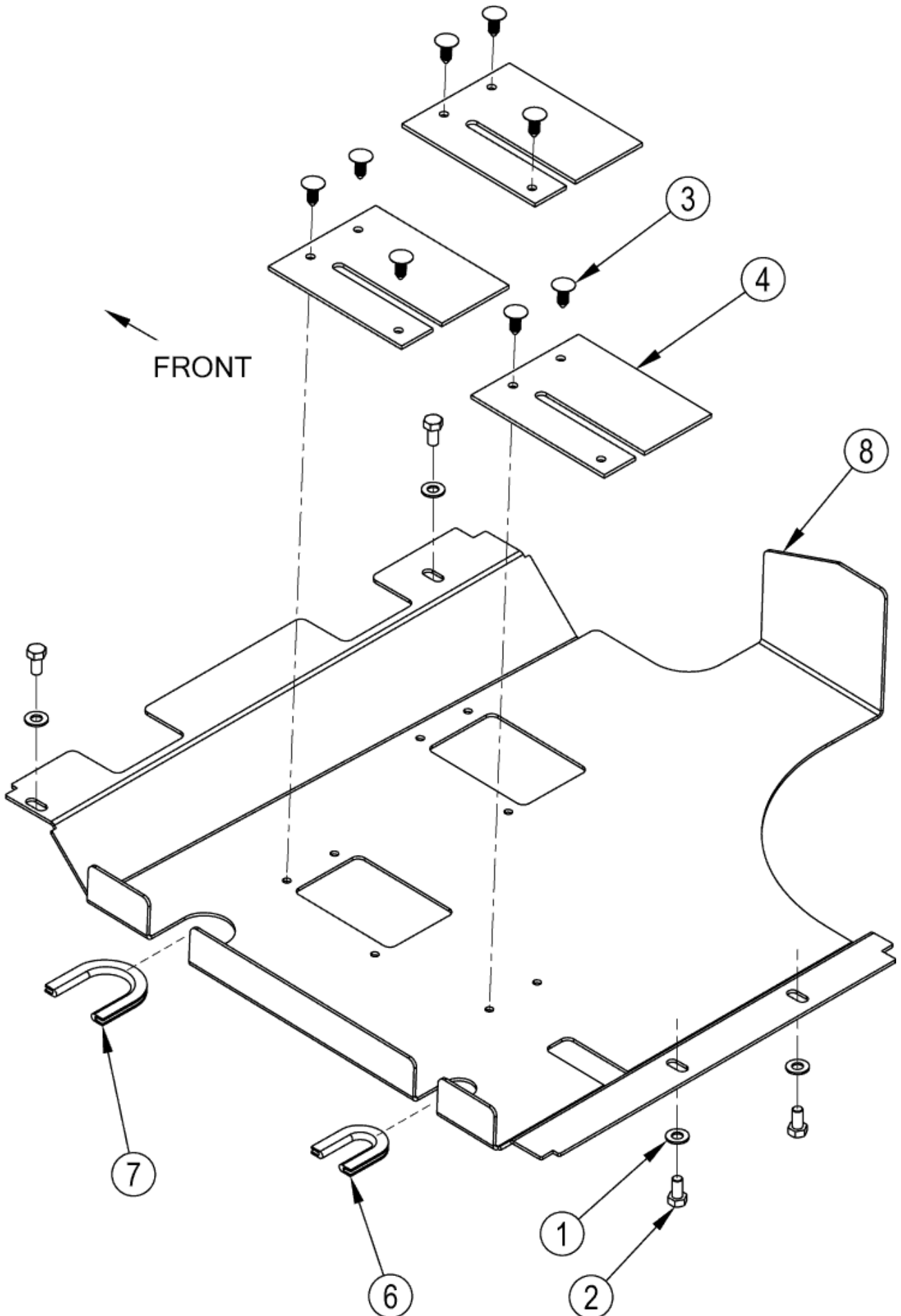
ENGINE BOTTOM COVER ASSY - LPG-PETRC

SW8000

05-04-2015

Part List ID
SW800044

56



ENGINE BOTTOM COVER ASSY - LPG-PETRC

SW8000

05-04-2015

Part List ID
SW800044

57

Pos	Part no.	Qty	Description
0	56107606	1	BOTTOM ENGINE COVER ASSY (items 1-8)
1	56001939	4	WSH FLT SAE 5/16
2	56002929	4	SCR HEX LOC 5/16-18 X .62
3	56003263	8	RIVET NYLON TREE PUSH IN.25
4	56107608	3	SEAL BOTTOM COVER
6	56107610	1	TRIM-EDGE
7	56107611	1	TRIM-EDGE
8	56107607	1	BOTTOM ENGINE COVER

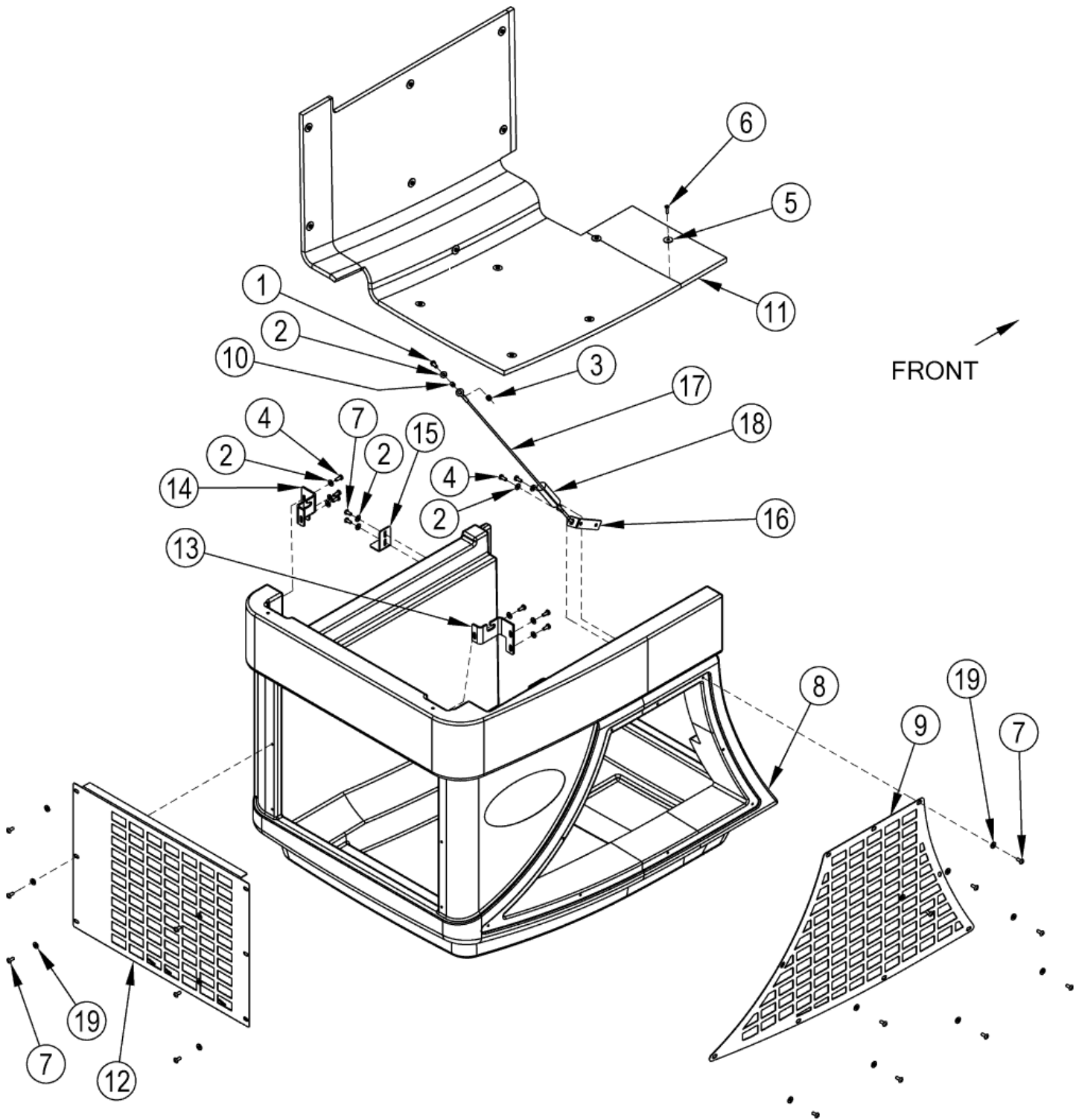
ENGINE REAR COVER ASSY

SW8000

05-04-2015

Part List ID
SW800046

58



ENGINE REAR COVER ASSY

SW8000

05-04-2015

Part List ID
SW800046

59

Pos	Part no.	Qty	Description	
0	56107576	1	COVER REAR ASSY	(items 1-18)
1	56002093	1	SCR HEX 1/4-20 X 1.00	
2	56002098	11	WSH FLT SAE 1/4	
3	56002708	1	NUT HEX NYL LOC 1/4-20	
4	56002922	8	SCR HEX LOC 1/4-20 X .62	
5	56009002	13	WASHER FLAT .266X.906X.060	
6	56009005	13	SCR PANPHILS TYPE AB 10-16X.75	
7	56009120	17	SCR PANPHIL SS TYPEB1/4-14X.62	
8	56107579	1	ENGINE COVER ASSY	
9	56107580	1	VENT COVER	
10	56321532	1	BUSHING .25X.37X.40HC42C	
11	56507339	1	FOAM INSULATION	
12	56107657	1	SHROUD RADIATOR	
13	56507401	1	BRACKET ENGINE COVER	
14	56507402	1	BRACKET ENGINE COVER	
15	56507584	1	BRACKET ENGINE COVER CLAMP	
16	56508181	1	BRACKET ENG HOOD	
17	56508335	1	CABLE ASSEMBLY	
18	56508774	1	SHRINK TUBE .75 X 2.5	
19	56002859	15	WSH FLT SAE SS 1/4	
K1	56107615	1	KIT-ENGINE COVER ASSY	Includes pos. 5, 6, 7, 8, 9, 11, 12

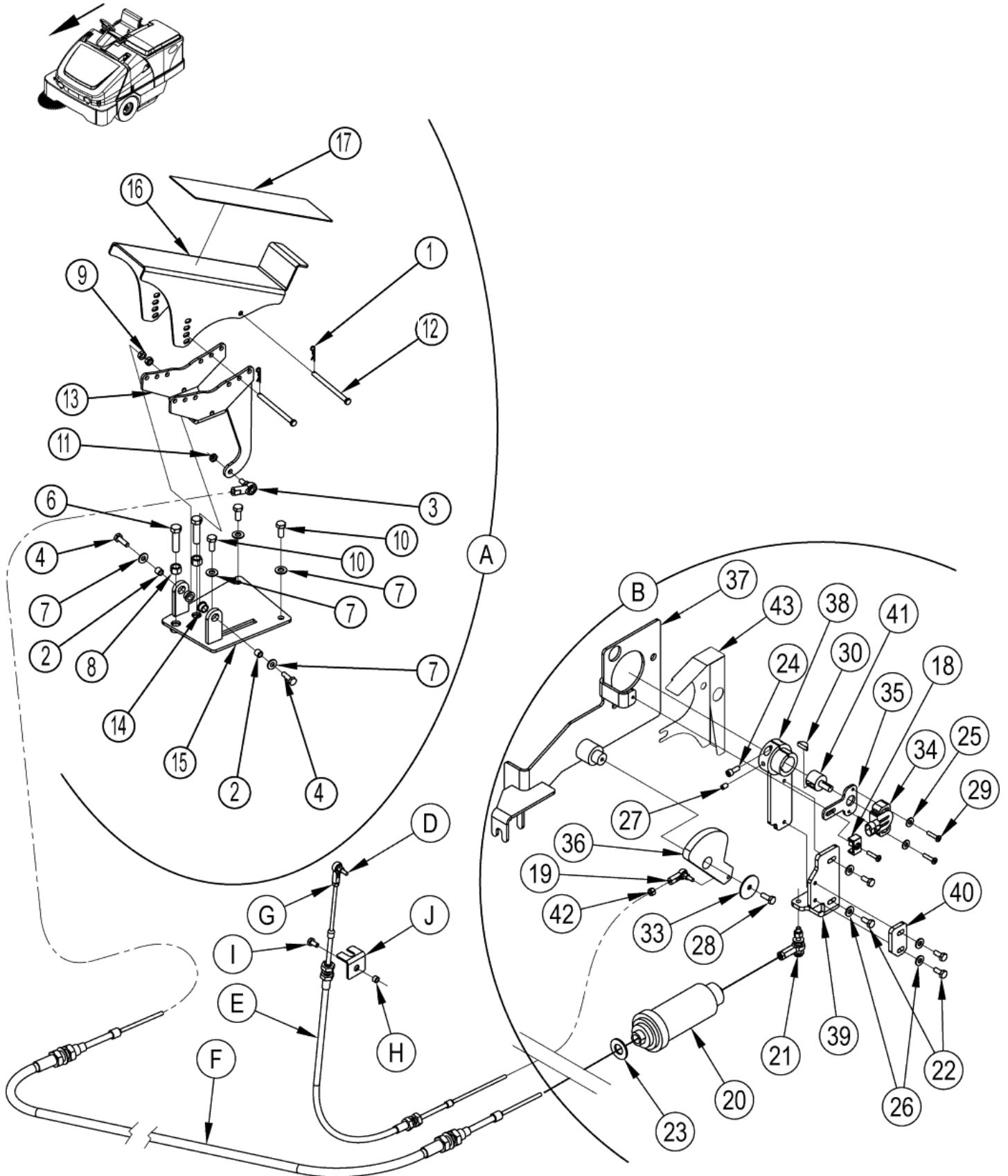
FORWARD-REVERSE CONTROL ASSY

SW8000

05-04-2015

Part List ID
SW800048

60



FORWARD-REVERSE CONTROL ASSY

SW8000

05-04-2015

Part List ID
SW800048

61

Pos	Part no.	Qty	Description
0	56507049	1	FWD/REV 4 CYL CONTROL ASSY
1	56003332	2	PIN COT HAIR .042X.188
2	56151106	2	BUSHING .25X.37X.34G31J
3	56463720	1	ROD END
4	56003844	2	SCR-HEX SS 1/4-20 X .88
6	56003918	2	SCR-HEX THD/HD SS 3/8-16X1.50
7	56002859	5	WSH FLT SAE SS 1/4
8	56003928	2	NUT-HEX MACHINE SS 3/8-16
9	56002850	2	NUT HEX NYL LOC-THIN SS 1/4-20
A	56507647	1	FOOT PEDAL ASSEMBLY
B	56507541	1	PUMP CONTROL ASSEMBLY
D	56488290	1	ROD END
E	56418615	1	CABLE PUSH/PULL
F	56507648	1	CABLE PUSH/PULL
G	56001987	1	NUT HEX MACHINE 10 32
H	56379298	1	BUSHING .25X.37X.21CR211H
I	56003039	1	SCR HEX LOC 1/4-20 X .50
J	56508500	1	BRACKET SPEED LIMIT CABLE
10	56003221	3	SCR HEX LOC SS 1/4 20 X .75
11	56003917	1	NUT-HEX NYL LOC-THIN SS 1/4-28
12	56003669	2	CLEVIS PIN .50 X 3.00
13	56107687	1	PEDAL WELDT
14	56304554	2	BEARING FLANGE .500X.375X.313
15	56107686	1	PLATE-FOOT THROTTLE WELDT
16	56107685	1	FOOT PEDAL
17	56507227	1	MAT PEDAL
18	56111895	1	GUIDE-ENCODER
19	56488290	1	ROD END
20	56455799	1	HYDRO BACK
21	56463720	1	ROD END
22	56001836	4	SCR HEX 1/4 20 X .62
23	56002022	1	WSH FLT SAE 5/8
24	56002032	1	SCR SOC HD 1/4 20 X .62
25	56002053	2	WSH FLT STD 10
26	56002098	4	WSH FLT SAE 1/4
27	56002930	1	SCR SOC SET LOC 1/4 20 X .38
28	56002948	1	SCR HEX LOC 1/4 20 X 0.75
29	56002996	3	SCR PAN PHIL 10 32 X .88
30	56003230	1	KEY WDF 91
31	56003626	1	NUT HEX NYL LOC THIN 1/4 28
32	56009142	1	NUT HEX MACHINE 1/4 28
33	56009225	1	WASHER FENDER
34	56305129	1	ROTARY SENSOR

FORWARD-REVERSE CONTROL ASSY

SW8000

05-04-2015

Part List ID
SW800048

62

Pos	Part no.	Qty	Description
35	56305980	1	PLATE-SENSOR
36	56419337	1	CAM NYLON
37	56507124	1	RETURN BRACKET
38	56507126	1	LEVER WELDMENT
39	56507152	1	LEVER
40	56507153	1	PLATE CAM
41	56507979	1	ADAPTER SHAFT
42	56001987	1	NUT HEX MACHINE 10 32

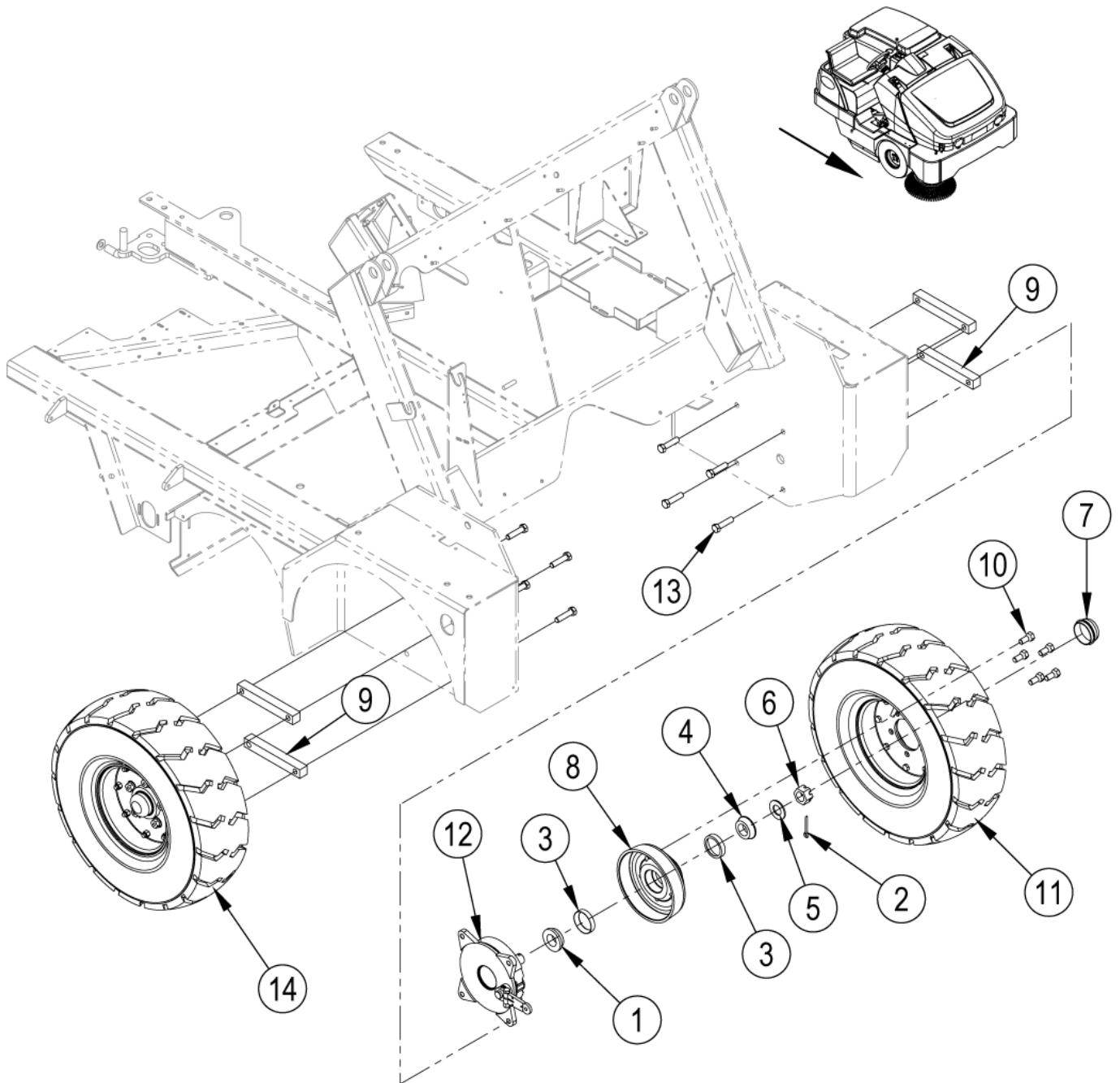
FRONT WHEEL SYSTEM

SW8000

05-04-2015

Part List ID
SW800050

63



FRONT WHEEL SYSTEM

SW8000

05-04-2015

Part List ID
SW800050

64

Pos	Part no.	Qty	Description	
1	2-00-02079	1	BRG-SINGLE SEAL TIMKEN	Note 1
2	2-00-02436	1	PIN-COTT.188 DIA X 1.75 STL ZN	Note 1
3	2-00-04621	2	CUP TIMKEN	Note 1
4	2-00-04622	1	CONETIMKEN	Note 1
5	2-00-05239	1	WSHR-FLAT 2.000X1.063X.125 SST	Note 1
6	2-00-05026	1	NUT-HEX-SLOT FIN. ZN	Note 1
7	8-11-00030	1	CAP	Note 1
8	56107724	1	HUB AND DRUM-MACHINED	Note 1
9	8-75-01216	4	SPACER-BRAKES	
10	8-80-05035	5	STUD-DRIVE WHEEL HUB	Note 1
11	8-65-05016	1	RIM ASSEMBLY	Not Shown
11	8-70-00086	1	FLAP-PNEUMATIC TIRE 9.0x6.7	Not Shown
11	8-70-00087	1	TUBE-INNER-PNEU TIRE6.00x9SE	Not Shown
11	8-85-06022	1	TIRE-6.00x9 PNEUMATIC	Not Shown
11	8-89-08056	1	WHL ASSY PNEUMATIC FOAM FILLED	Note 1
12	0860-703	1	AXLE SHAFT ASSY	Note 1
12	56418581	1	SPRING BRAKE	(usage 2 per brake assy)
12	8-71-05007	1	BRAKE SHOE	(usage 2 per brake assy)
13	56003162	8	SCR HEX 1/2 20 X 2.00	NOTE 2
13	56003958	8	SCR-HEX 1/2-20 X 2.25	NOTE 3
14	56382791	2	FRONT WHEEL ASSEMBLY	(items 1-8, 10-12)

NOTE 1: These quantities reflect one Front Wheel Assembly only, there are two Front Wheel Assemblies on the machine.

NOTE 2: These items are only used on machines that do not have standoffs welded onto the chassis for mounting the wheel assemblies.

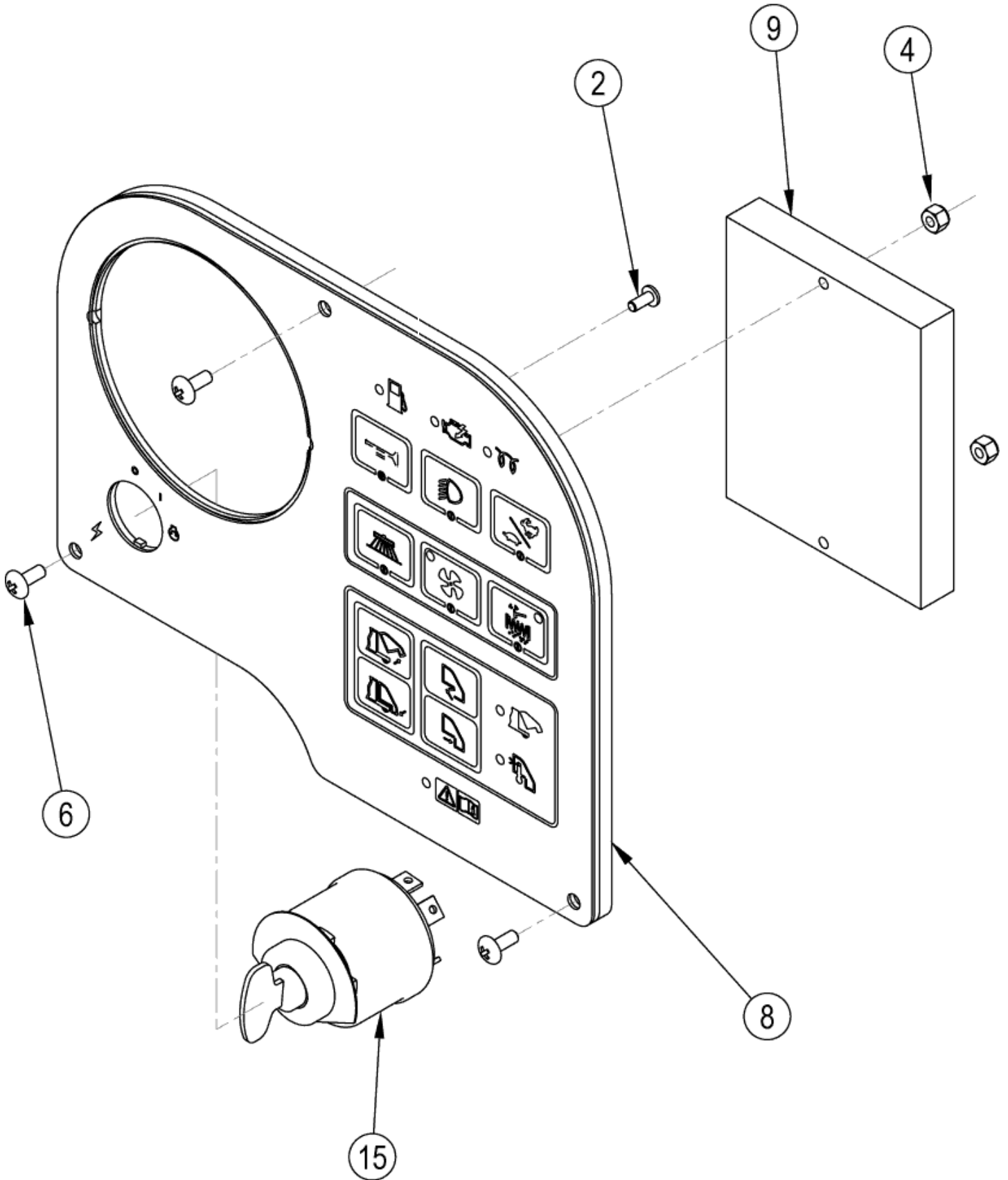
GAUGE PANEL ASSY

SW8000

05-04-2015

Part List ID
SW800052

65



GAUGE PANEL ASSY

SW8000

05-04-2015

Part List ID
SW800052

66

Pos	Part no.	Qty	Description	
0	56107640	1	GAUGE PANEL ASSY PETROL	
0	56107641	1	GAUGE PANEL ASSY LPG	
0	56107642	1	GAUGE PANEL ASSY DIESEL	
2	56001818	1	SCR PAN PHIL 8 32 X .38	
4	56002808	2	NUT HEX NYL LOC 8-32	
6	56003902	5	SCR-TRUSS PHIL SS BLK10-24X.50	
8	56107601	1	PANEL LPG ASSY	used on LPG and petrol models
8	56107603	1	PANEL DIESEL ASSY	used on diesel models only
9	56107624	1	CONTROL BOX	
15	56418685	1	SWITCH STARTER	LPG and petrol models
15	56419123	1	KEY IGNITION REPLACEMENT	(for 56418685)
15	56497754	1	KEY SWITCH	diesel models
15	56508655	1	KEY DIESEL	(for 56497754)

NOTE: Refer to GAUGE KITS at the back of this manual for control panel gauges.

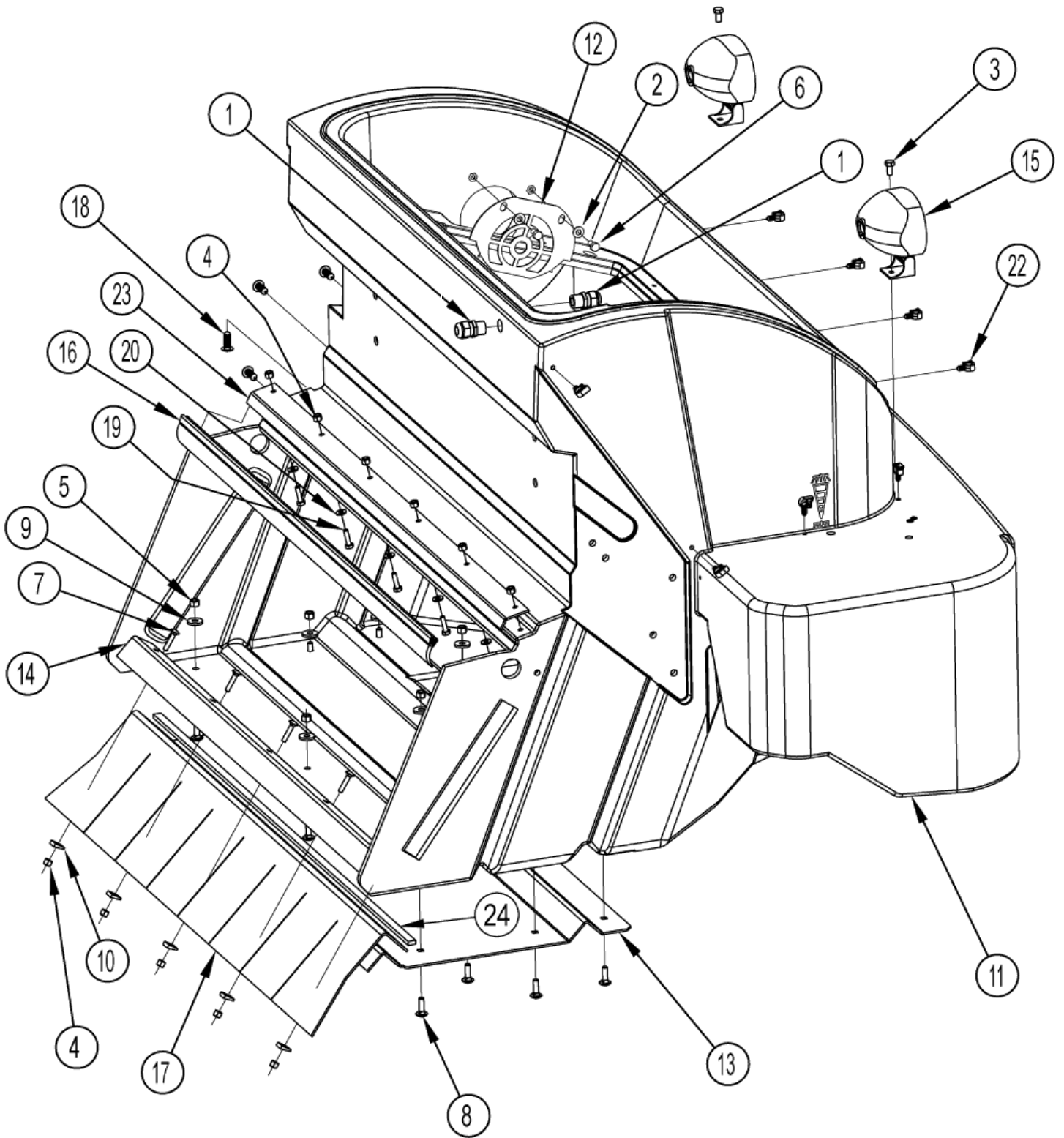
HOPPER SYSTEM-1

SW8000

05-04-2015

Part List ID
SW800054

67



HOPPER SYSTEM-1

SW8000

05-04-2015

Part List ID
SW800054

68

Pos	Part no.	Qty	Description
1	56323135	2	STRAIN RELIEF E00220
2	56001939	2	WSH FLT SAE 5/16
3	56002035	2	SCR HEX 5/16 18 X .62
4	56002491	11	NUT HEX NYL LOC SS 1/4-20
5	56002856	10	NUT HEX NYL LOC SS 5/16-18
6	56002929	2	SCR HEX LOC 5/16-18 X .62
7	56003714	5	SCR CARRIAGE SS 1/4-20X2.50
8	56003720	10	SCR CARRIAGE SS 5/16-18 X 1.00
9	56009122	10	WSH FLT .344X.938X.125
10	56009345	5	WSH BEVEL 1/4
11	56507087	1	HOPPER
12	56507159	1	SCREEN VAC FAN
13	56507162	1	PLATE HOPPER BOTTOM
14	56507187	1	CLAMP HOPPER FLAP
15	56507223	2	HEAD LIGHT ASSEMBLY
15	56507224	1	BULB 12V 50W (for 56507223) not shown
16	56508325	1	SEAL DOOR HINGE
17	56508083	1	FLAP HOPPER
18	56508211	4	CLIP PANEL
19	56002883	6	SCR HEX SS 1/4-20 X 1.00
20	56002859	6	WSH FLT SAE SS 1/4
22	56507793	8	CLIP CONDUIT
23	56107729	1	CLAMP DOOR SEAL
24	56508728	1	SEAL HOPPER SKID PLATE

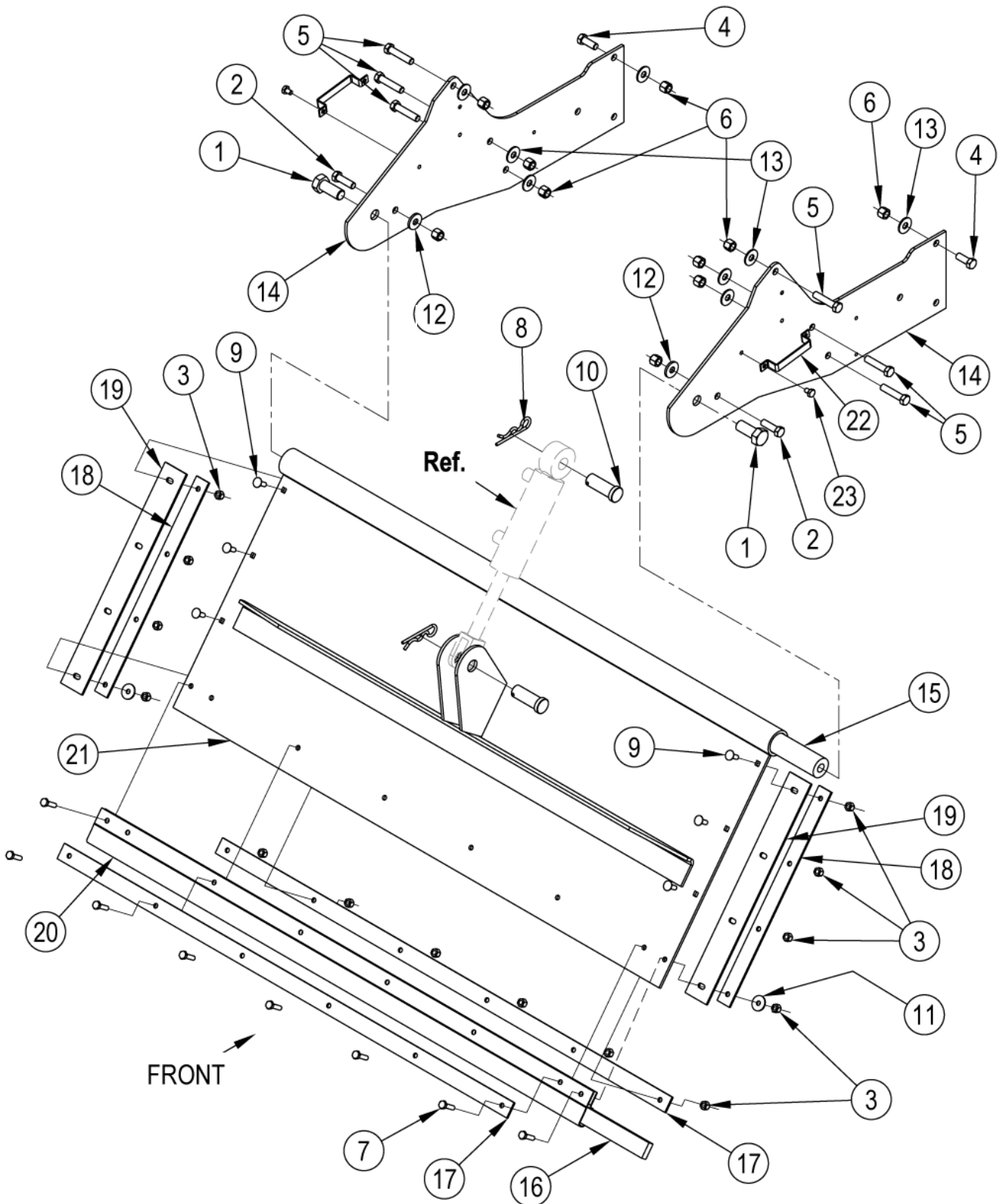
HOPPER SYSTEM-2

SW8000

05-04-2015

Part List ID
SW800056

69



HOPPER SYSTEM-2

SW8000

05-04-2015

Part List ID
SW800056

70

Pos	Part no.	Qty	Description
1	56001843	2	SCR HEX 5/8 11 X 1.50
2	56001858	2	SCR HEX 3/8 16 X 1.25
3	56002491	14	NUT HEX NYL LOC SS 1/4-20
4	56002663	2	SCR HEX 3/8-16 X 1.00
5	56002684	6	SCR HEX 3/8-16 X 1.75
6	56002769	10	NUT HEX NYL LOC 3/8-16
7	56002883	8	SCR HEX SS 1/4-20 X 1.00
8	56003152	2	PIN COT HAIR SS .148 X DIA .6
9	56003715	6	SCR CARRIAGE SS 1/4-20X.75
10	56003732	2	PIN CLEVIS .750X2.00
11	56003923	2	WSH-FLT SS .266 X .906 X .060
12	56009107	2	WSH FLT SS .378/.373X1.00X.075
13	56009213	8	SH FLT .382X1.000X.075
14	56507164	2	BRACKET SIDE BROOM ARM
15	56507168	1	PIVOT HOPPER DOOR
16	56507169	1	SEAL HOPPER
17	56507176	2	CLAMP HOPPER BOTTOM
18	56507177	2	CLAMP HOPPER DOOR SIDE SEAL
19	56507178	2	SEAL HOPPER DOOR SIDE
20	56507179	1	SEAL HOPPER
21	56107728	1	HOPPER DOOR WELDT
22	2-00-04603	2	CLAMPDOUBLE 1/2 OD
23	56002933	2	SCR HEX LOC 1/4 20 X .38

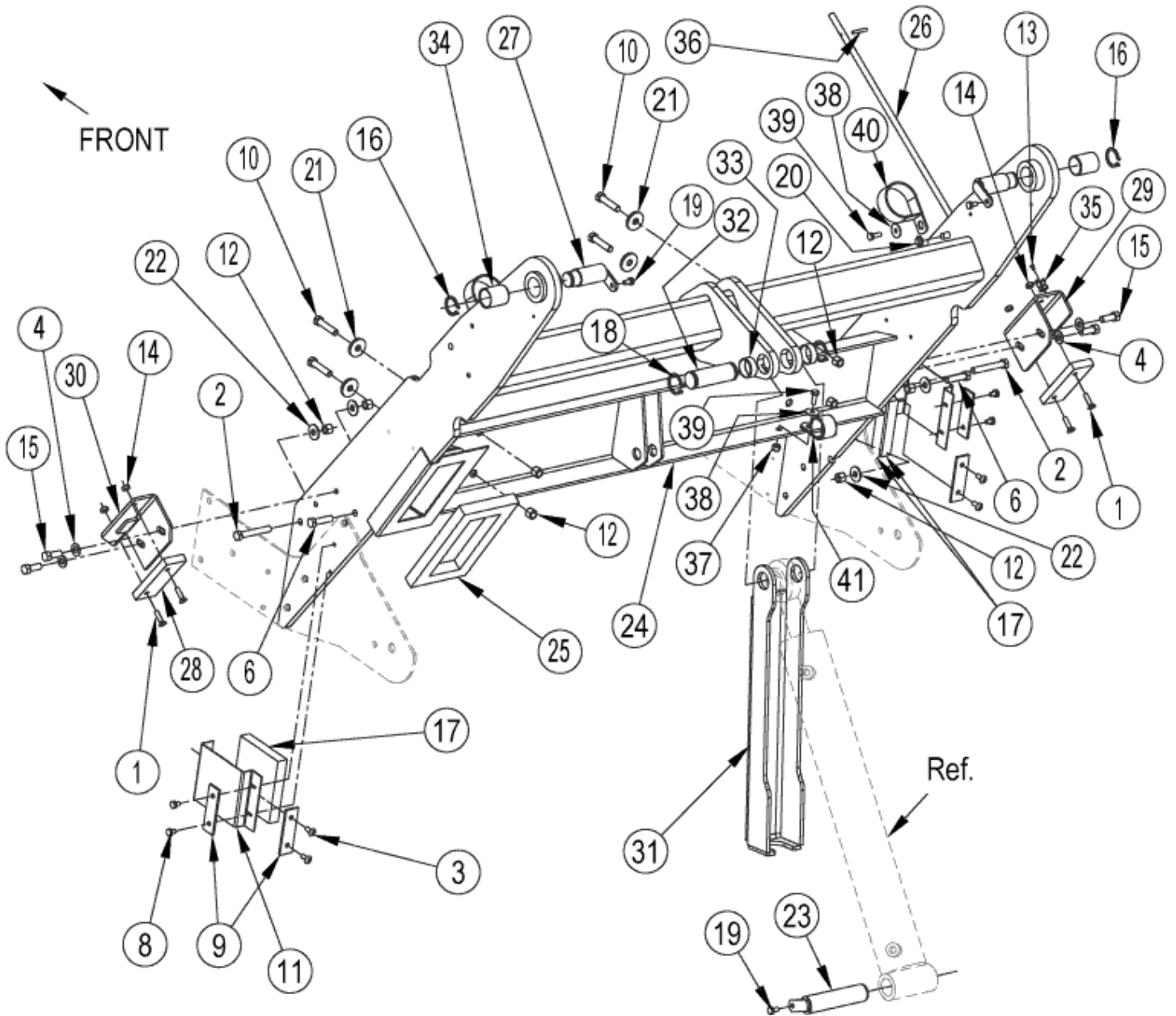
HOPPER SYSTEM-3

SW8000

05-04-2015

Part List ID
SW800058

71



HOPPER SYSTEM-3

SW8000

05-04-2015

Part List ID
SW800058

72

Pos	Part no.	Qty	Description
1	56002457	4	SCR FLT SOC 1/4-20 X 1.00
2	56001873	2	SCR HEX 3/8-16 X 2.50
3	56009120	4	SCR PANPHIL SS TYPEB1/4-14X.62
4	56002063	4	WSH FLT SAE 3/8
6	56002095	2	SCR HEX 3/8-16 X 1.50
8	56009019	4	SCR HEX THD FORM 1/4-20X .38
9	56508248	4	STRAP FRONT TIRE FLAP
10	56002684	4	SCR HEX 3/8-16 X 1.75
11	56508389	2	FLAP HOPPER SIDE
12	56002769	8	NUT HEX NYL LOC 3/8-16
13	56002811	1	SCR PAN PHIL 6-32 X .25
14	56002840	4	NUT HEX NYL LOC-THIN 1/4-20
15	56002947	4	SCR HEX LOC 3/8-16 X 1.00
16	56003258	2	RING RET EXT
17	56508390	3	FOAM HOPPER SIDE
18	56003750	2	RING RET EXT SHAFT 1.125
19	56009033	3	SCR HEX THD FORM 1/4 20X.50
20	56009123	1	NUT PUSH CAP 3/8
21	56009195	4	WSH FLT .406X 1.250X .164
22	56009213	4	SH FLT .382X1.000X.075
23	56304683	1	PIN HOPPER HINGE WELDMENT
24	56507100	1	ARM HOPPER LIFT WELDMENT
25	56507189	1	SEAL AIR EXHAUST
26	56507197	1	ROD COVER
27	56507204	2	PIN HOPPER HINGE WLDT
28	56507289	2	BUMPER HOPPER LIFT
29	56507334	1	STOPPPER HOPPER RH
30	56507335	1	STOPPPER HOPPER LH
31	56507477	1	PROP ROD
32	56507885	1	PIN
33	56507939	2	BEARING 1.125X1.281X.500
34	56507940	2	BEARING 1.125X1.281X1.500
35	56508234	1	CLIP 3/8
37	56002708	1	NUT HEX NYL LOC 1/4-20
38	56009002	3	WASHER FLAT .266X.906X.060
39	56009018	3	SCR HEX THD FORM 1/4-20X .75
40	56315257	2	CLAMP P
41	56409463	1	CLAMP 1.25 HOSE SUPPORT

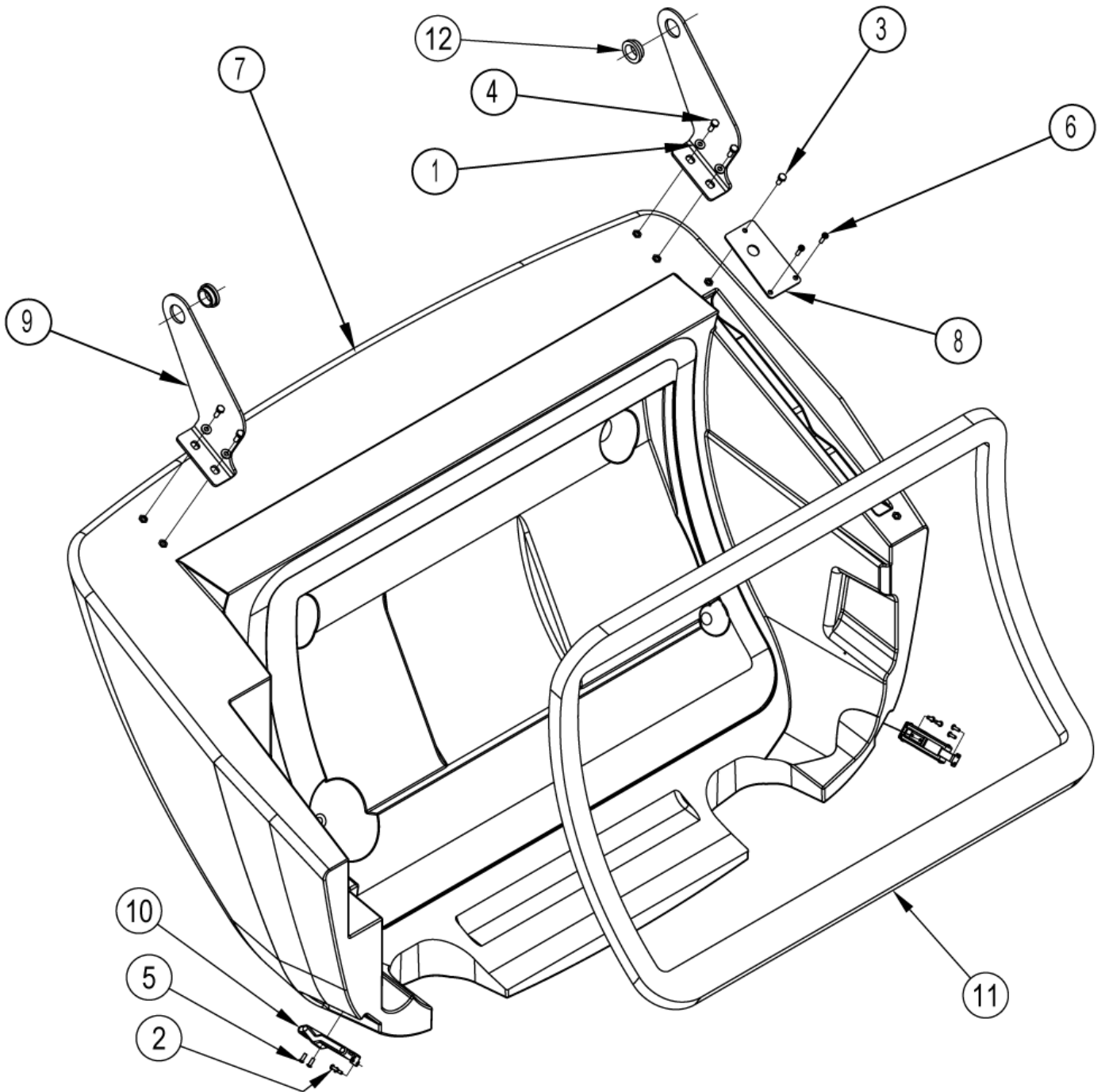
HOPPER SYSTEM-4

SW8000

05-04-2015

Part List ID
SW800060

73



HOPPER SYSTEM-4

SW8000

05-04-2015

Part List ID
SW800060

74

Pos	Part no.	Qty	Description
1	56002098	4	WSH FLT SAE 1/4
2	56002876	4	SCREW 8-32 X 0.5 PNH PH SS
3	56002922	1	SCR HEX LOC 1/4-20 X .62
4	56002948	4	SCR HEX LOC 1/4 20 X 0.75
5	56003093	4	SCR PAN PHIL PLAST 8-15 X .50
6	56009005	2	SCR PANPHILS TYPE AB 10-16X.75
7	56507086	1	COVER HOPPER
8	56508226	1	PLATE HOPPER COVER PROP ROD
9	56507185	2	BRACKET HOPPER COVER
10	56507188	2	LATCH HOPPER COVER
11	56507219	1	SEAL HOPPER COVER 4 PARTS
12	56507767	2	BEAR FLAN IGUS 1.00X1.25X.50

HYDRAULIC SCHEMATIC

SW8000

05-04-2015

Part List ID
SW800062

76

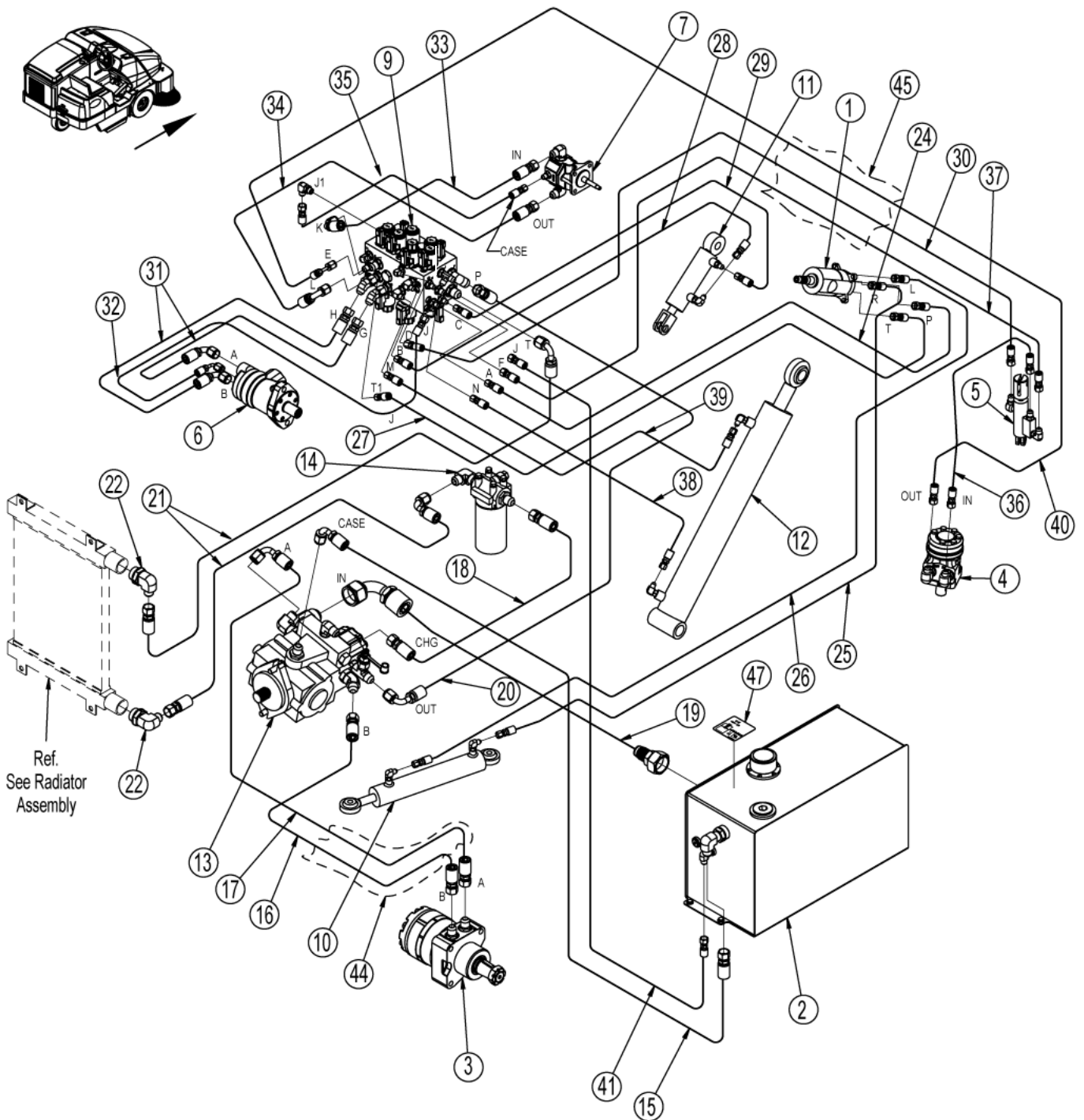
HYDRAULIC SYSTEM

SW8000

05-04-2015

Part List ID
SW800064

77



HYDRAULIC SYSTEM

SW8000

05-04-2015

Part List ID
SW800064

78

Pos	Part no.	Qty	Description	
1	56508096	1	STEERING CONTROL UNIT	
1	7-70-00127	1	SEAL KIT	for 56508096
2	56507072	1	RESERVOIR ASSEMBLY	See Hydraulic Reservoir Assembly
3	56507603	1	DRIVE MOTOR ASSEMBLY	See Hydraulic Motor Assemblies
4	56507604	1	SIDE BROOM MOTOR ASSEMBLY	See Hydraulic Motor Assemblies
5	56507605	1	SIDE BROOM CYLINDER ASSEMBLY	Right See Hydraulic Cylinder Assemblies
6	56507066	1	MAIN BROOM MOTOR	See Hydraulic Motor Assemblies
7	56507067	1	HYDRAULIC MOTOR VAC FAN	See Hydraulic Motor Assemblies
9	56507609	1	MANIFOLD ASSEMBLY	See Hydraulic Valve Block Assembly
10	56507610	1	STEERING CYLINDER ASSEMBLY	See Hydraulic Cylinder Assemblies
11	56507611	1	HOPPER DOOR CYLINDER ASSEMBLY	See Hydraulic Cylinder Assemblies
12	56507612	1	HOPPER LIFT CYLINDER ASSEMBLY	See Hydraulic Cylinder Assemblies
13	56507613	1	PUMP ASSEMBLY	See Hydraulic Pump Assembly
14	56507614	1	FILTER ASSEMBLY	
15	56507516	1	HOSE HYDRAULIC	
16	56507517	1	HOSE HYDRAULIC	
17	56507518	1	HOSE HYDRAULIC	
18	56507519	1	HOSE HYDRAULIC	
19	56507520	1	HOSE HYDRAULIC	
20	56507521	1	HOSE HYDRAULIC	
21	56507522	2	HOSE HYDRAULIC	
22	56900480	2	ELBOW 90 O-RING	
24	56507360	1	HOSE HYDRAULIC	
25	56507362	1	HOSE HYDRAULIC	
26	56507361	1	HOSE HYDRAULIC	
27	56507363	1	HOSE HYDRAULIC	
28	56507529	1	HOSE HYDRAULIC	
29	56507530	1	HOSE HYDRAULIC	
30	56507531	1	HOSE HYDRAULIC	
31	56507532	2	HOSE HYDRAULIC	
32	56507788	1	HOSE HYDRAULIC	
33	56507534	1	HOSE HYDRAULIC	
34	56507535	1	HOSE HYDRAULIC	
35	56507536	1	HOSE HYDRAULIC	
36	56507537	1	HOSE HYDRAULIC	
37	56507538	1	HOSE HYDRAULIC	
38	56507539	1	HOSE HYDRAULIC	
39	56507540	1	HOSE HYDRAULIC	
40	56507718	1	HOSE HYDRAULIC	
41	56507719	1	HOSE HYDRAULIC	
42		1	NOTE COMMENT	Oil, Multi-Vis SAE 10w-30 (11 gallons) Not Shown
44	56508814	1	SLEEVE NYLON	Not Shown
45	56462977	1	SLEEVE 24 IN. NYLON	Not Shown

HYDRAULIC SYSTEM

SW8000

05-04-2015

Part List ID
SW800064

79

Pos	Part no.	Qty	Description	
46	56409463	1	CLAMP 1.25 HOSE SUPPORT	Not Shown
47	56016259	1	DECAL OIL FILL	

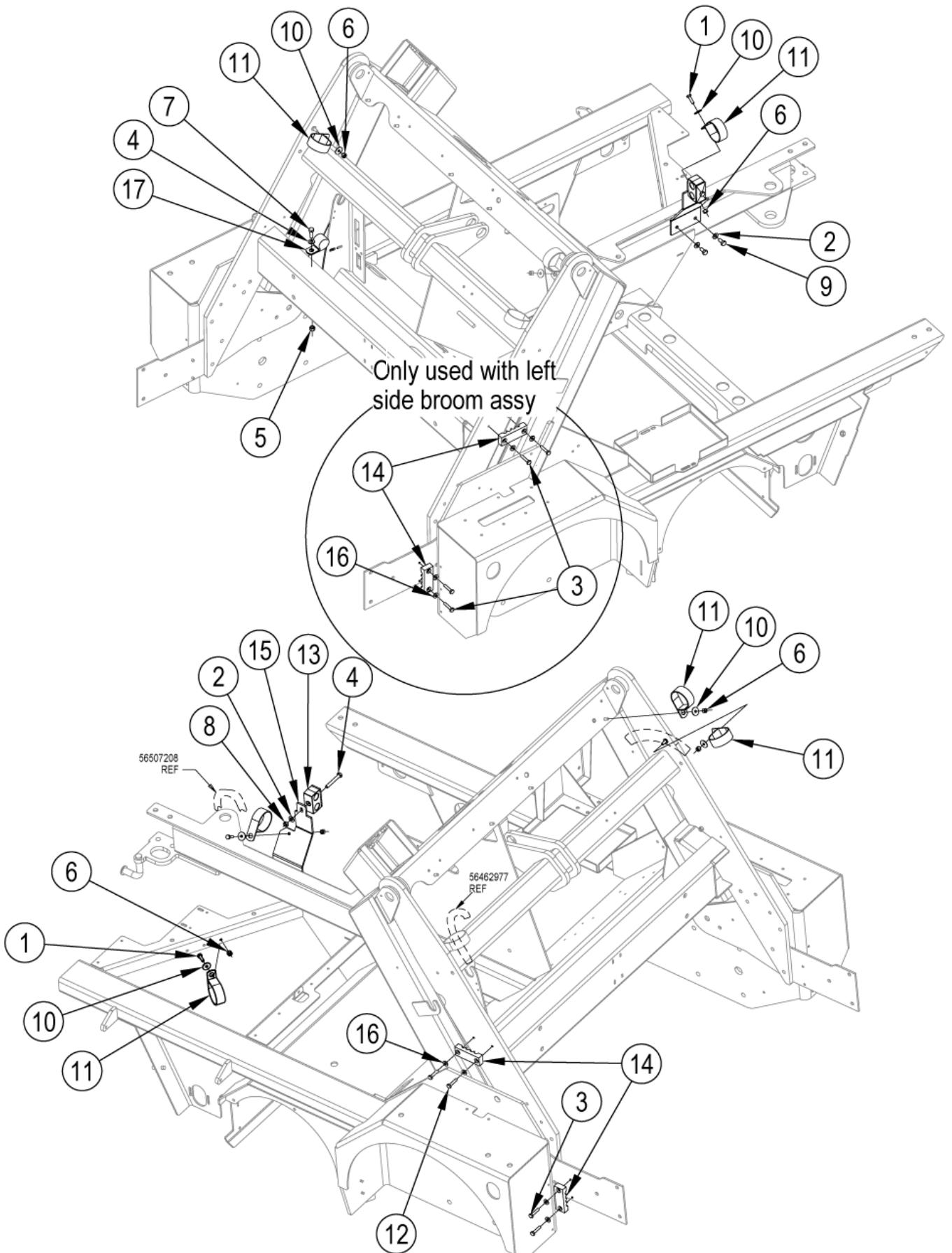
HYDRAULIC SYSTEM - MOUNTING

SW8000

05-04-2015

Part List ID
SW800066

80



HYDRAULIC SYSTEM - MOUNTING

SW8000

05-04-2015

Part List ID
SW800066

81

Pos	Part no.	Qty	Description
1	56001821	2	SCR HEX 1/4 20 X .88
2	56001939	4	WSH FLT SAE 5/16
3	56001878	4	SCR HEX 1/4 20 X 1.25 (qty of 8 if equipped with left side broom)
4	56002420	1	SCR HEX 5/16-18 X 2.25
5	56002701	1	NUT HEX NYL LOC 5/16-18
6	56002708	5	NUT HEX NYL LOC 1/4-20
7	56002221	1	SCR HEX 5/16-18 X 1.00
8	56002826	1	NUT HEX NYL LOC-THIN 5/16-18
9	56002929	2	SCR HEX LOC 5/16-18 X .62
10	56009002	6	WASHER FLAT .266X.906X.060
11	56315257	5	CLAMP P
12	56002242	2	SCR SOC HD 1/4-20 X 1.50
13	56507218	1	CLAMP HOSE
14	56507922	1	HOSE CLAMP HYDRAULIC (qty of 2 if equipped with left side broom)
15	56508327	1	BRACKET HOSE CLAMP
16	56002098	4	WSH FLT SAE 1/4 (qty of 8 if equipped with left side broom)
17	56409463	1	CLAMP 1.25 HOSE SUPPORT
18	56002093	1	SCR HEX 1/4-20 X 1.00

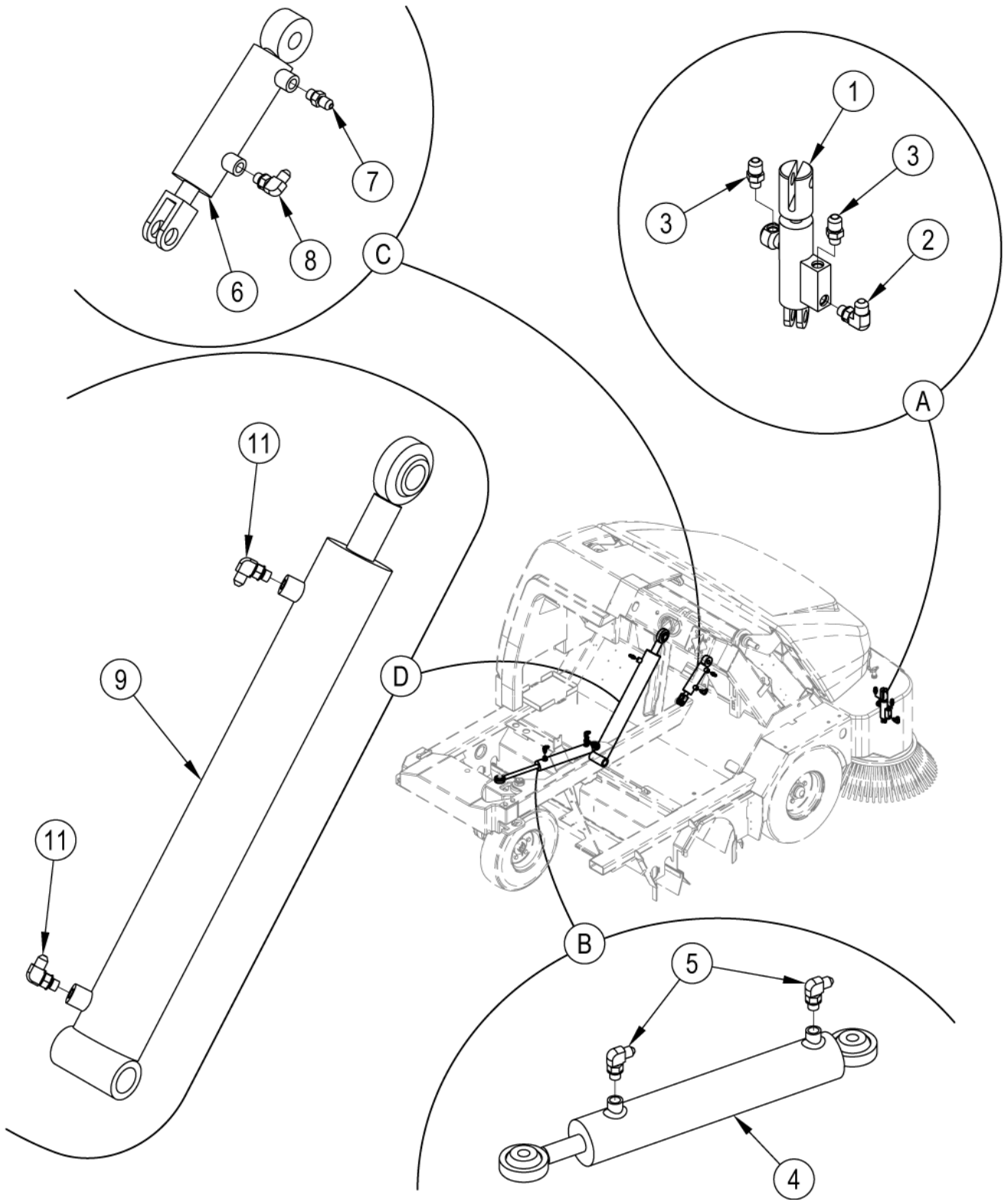
HYDRAULIC CYLINDER ASSEMBLIES

SW8000

05-04-2015

Part List ID
SW800068

82



HYDRAULIC CYLINDER ASSEMBLIES

SW8000

05-04-2015

Part List ID
SW800068

83

Pos	Part no.	Qty	Description	
1	56109100	1	SEAL KIT	Not Shown
1	56507065	1	SIDE BROOM CYLINDER	
2	56900286	1	ELBOW 90 DEG E00003	
3	56900370	2	CONNECTOR O RING	
4	56380809	1	SEAL KIT	
4	56507095	1	STEERING CYLINDER	
5	56900101	2	ELBOW 90 DEG.O/R 4 E00003	
6	56507155	1	CYLINDER HYDRAULIC HOPPER DOOR	
7	56900001	1	CONNECTOR O RING 4 E00001	
8	56900101	1	ELBOW 90 DEG.O/R 4 E00003	
9	56507241	1	CYLINDER HYDRAULIC HOPPER LIFT	
A	56507605	1	SIDE BROOM CYLINDER ASSEMBLY	(items 1-3)
B	56507610	1	STEERING CYLINDER ASSEMBLY	(items 4-5)
C	56507611	1	HOPPER DOOR CYLINDER ASSEMBLY	(items 6-8)
D	56507612	1	HOPPER LIFT CYLINDER ASSEMBLY	items 9-11)
11	56380813	1	SEAL KIT	
11	56900101	1	ELBOW 90 DEG.O/R 4 E00003	Not Shown

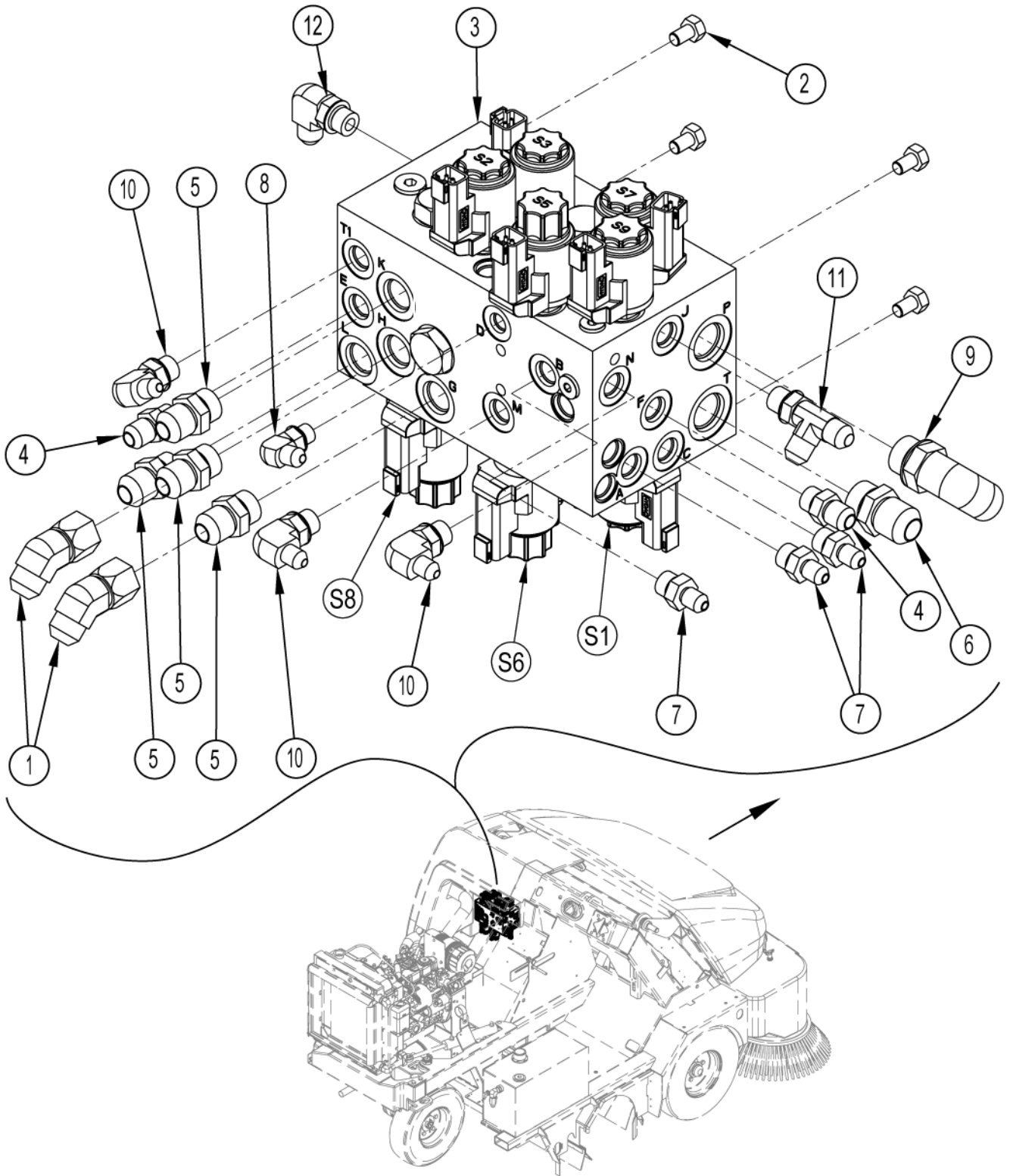
HYDRAULIC MANIFOLD ASSY

SW8000

05-04-2015

Part List ID
SW800070

84



HYDRAULIC MANIFOLD ASSY

SW8000

05-04-2015

Part List ID
SW800070

85

Pos	Part no.	Qty	Description	
0	56507609	1	MANIFOLD ASSEMBLY	(items 1-10)
1	56900324	2	ELBOW 45DEG W/NUT 8	E00008
2	56002923	4	SCR HEX LOC 5/16-18 X .50	
3	56507073	1	HYDRAULIC MANIFOLD	
4	56900003	2	CONNECTOR O/R 6	E00001
5	56900004	4	CONNECTOR O/R 8	E00001
6	56900005	1	CONNECTOR O/R -10	E00001
7	56900011	3	CONNECTOR 4 6	E00001
8	56900101	1	ELBOW 90 DEG.O/R 4	E00003
9	56900105	1	ELBOW 90DEG.O/R 10	E00003
10	56900110	3	ELBOW 90DEG O/R 4 6	E00003
11	56900203	1	TEE RUN O/R -6	E00005
12	56900103	1	ELBOW 90 DEG O/R 6	E00003
30	56305368	1	CARTRIDGE	for S1, S2 (S4 is part of litter vac option)
31	56305369	1	CARTRIDGE	for S3, S7
32	56305367	1	CARTRIDGE	for S5, S9
33	56305531	1	CARTRIDGE	for S6
34	56507686	1	CARTRIDGE	for S8
35	56507687	1	CARTRIDGE FLOW CONTROL 2 GPM	for Flow Control, 2.0 GPM
36	56507688	1	CARTRIDGE	for Flow Divider
37	56508223	1	SEAL KIT	for 56507688
38	56419397	1	RELIEF VALVE CARTRIDGE	
39	56507690	1	DIRECTIONAL VALVE	
40	56305370	1	CHECK VALVE CARTRIDGE	
41	56507692	1	CARTRIDGE	for PO Check Valve
42	56507983	1	ORIFICE	.086
43	56508184	1	ORFICE	.078
44	56507694	1	COIL 12 VDC	with Connector For S1-S7, S9
45	56507695	1	COIL 12 VDC	with Connector For S8
46	56305354	1	SEAL KIT	for S1, S2, S4, S5, S6, S9, Relief, Check Valve
47	56305355	1	SEAL KIT	for S3, S7
48	56507702	1	SEAL KIT	for Po Check Valve
49	56508840	1	CAVITY PLUG	
50	56305370	1	CHECK VALVE CARTRIDGE	
51	56419397	1	RELIEF VALVE CARTRIDGE	

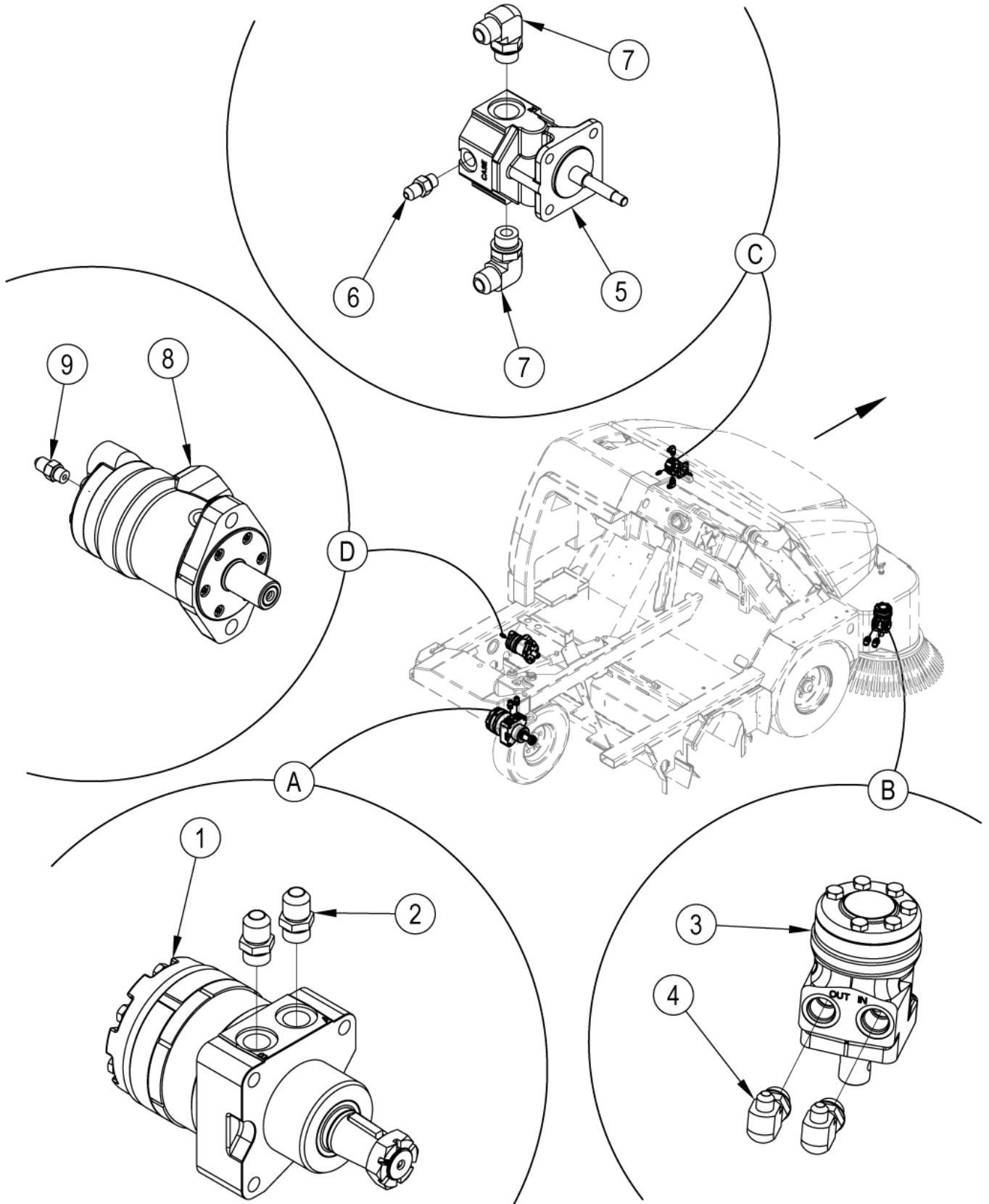
HYDRAULIC MOTOR ASSEMBLIES

SW8000

05-04-2015

Part List ID
SW800072

86



HYDRAULIC MOTOR ASSEMBLIES

SW8000

05-04-2015

Part List ID
SW800072

87

Pos	Part no.	Qty	Description
1	56462927	1	CASTLE NUT (for 56507063)
1	56507063	1	MOTOR TRACTION DRIVE
1	56507618	1	SEAL KIT (for 56507063)
2	56109735	2	SWIVEL ADAPTER
3	56507064	1	MOTOR SIDE BROOM
3	56507619	1	SEAL KIT FOR SIDE BROOM MOTOR (for 56507064)
4	56900113	2	ELBOW 90 DEG.O/R
5	56418823	1	SEAL KIT (for 56507067)
5	56507067	1	HYDRAULIC MOTOR VAC FAN
6	56900001	1	CONNECTOR O RING 4 E00001
7	56900104	2	ELBOW 90 DEG.O/R -8 E00003
8	56507066	1	MAIN BROOM MOTOR
8	56507620	1	SEAL KIT FOR MAIN BROOM MOTOR (for 56507066)
9	56900001	1	CONNECTOR O RING 4 E00001
A	56507603	1	DRIVE MOTOR ASSEMBLY (items 1-2)
B	56507604	1	SIDE BROOM MOTOR ASSEMBLY (items 3-4)
C		1	NOTE COMMENT Dust Control Motor Assembly (items 5-7)
D		1	NOTE COMMENT Main Broom Motor Assembly (items 8-9)

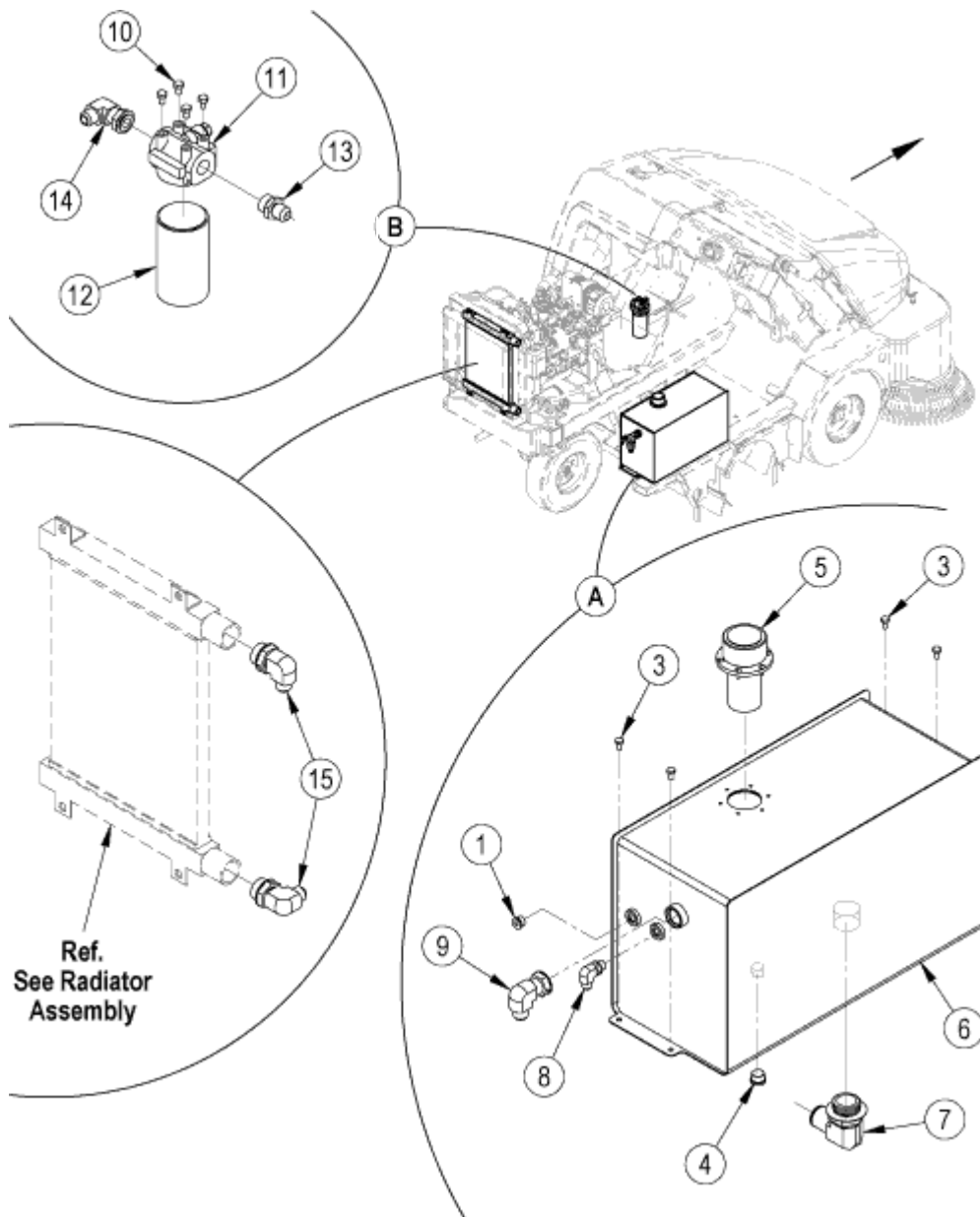
HYDRAULIC OIL FILTER-RESERVOIR

SW8000

05-04-2015

Part List ID
SW800074

88



HYDRAULIC OIL FILTER-RESERVOIR

SW8000

05-04-2015

Part List ID
SW800074

89

Pos	Part no.	Qty	Description
1	56418776	1	PLUG HEX O RING E00594
3	56009033	4	SCR HEX THD FORM 1/4 20X.50
4	56463403	1	PLUG HEX O RING E00594
5	56479656	1	FILLER CAP RE483B
6	56507507	1	RESERVOIR WELDMENT
7	56508846	1	ELBOW BARBED HYD FITTING
8	56900103	1	ELBOW 90 DEG O/R 6 E00003
9	56900116	1	ELBOW 90 O/R 10 12 E00003
A	56507072	1	RESERVOIR ASSEMBLY (items 1-9)
B	56507614	1	FILTER ASSEMBLY (items 10-14)
10	56002923	4	SCR HEX LOC 5/16-18 X .50
11	56419253	1	HEAD OIL FILTER
12	56419254	1	FILTER HYDRAULIC OIL
13	56900017	1	CONNECTOR O/R 10 12 E00001
14	56900116	1	ELBOW 90 O/R 10 12 E00003
15	56900480	2	ELBOW 90 O-RING

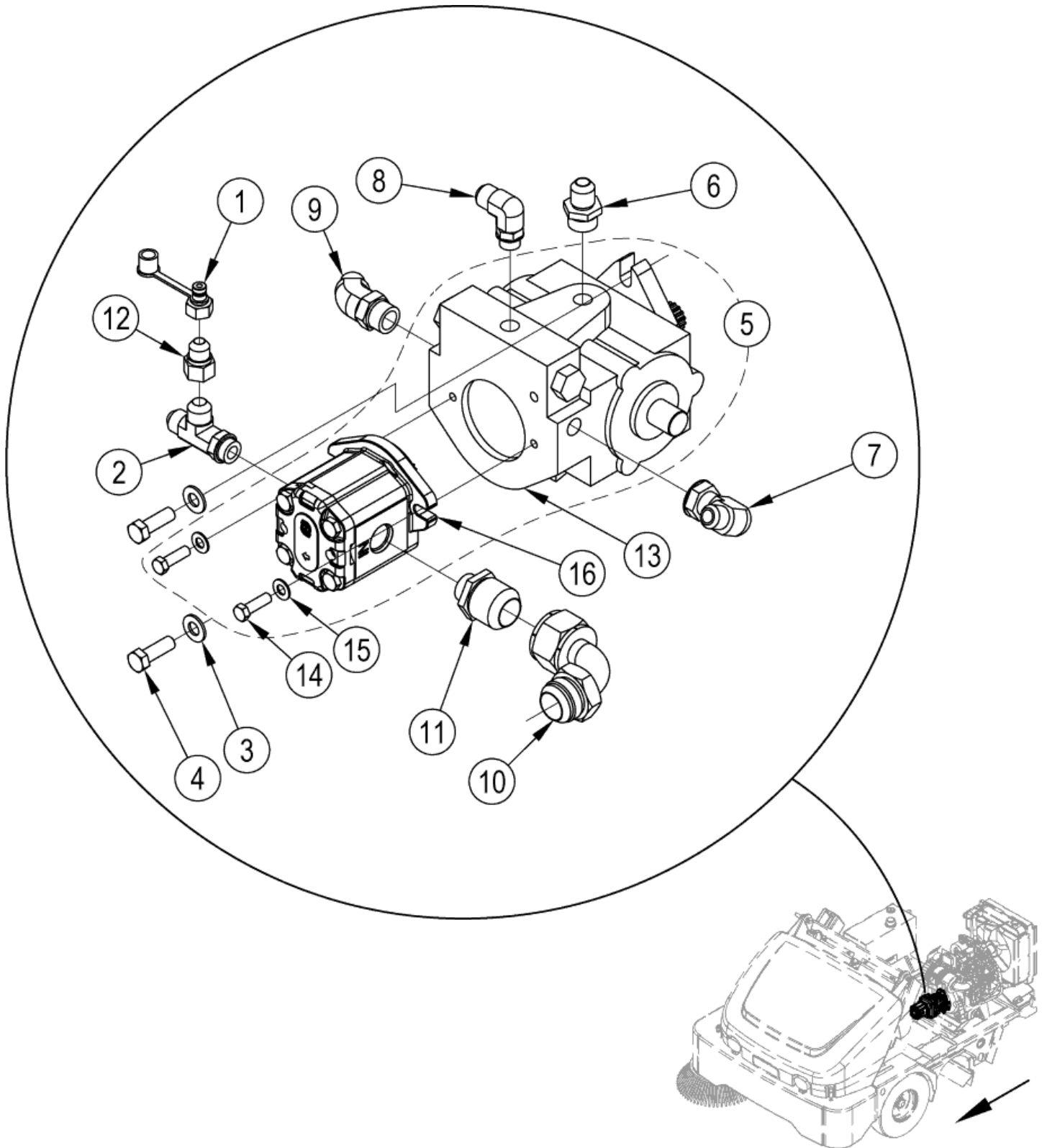
HYDRAULIC PUMP ASSY

SW8000

05-04-2015

Part List ID
SW800076

90



HYDRAULIC PUMP ASSY

SW8000

05-04-2015

Part List ID
SW800076

91

Pos	Part no.	Qty	Description
0	56507613	1	PUMP ASSEMBLY
1	56418866	1	COUPLING 8 TEST PORT
2	56900205	1	TEE RUN O/R 10 E00005
3	56001879	2	WSH FLT SAE 1/2
4	56001968	2	SCR HEX 1/2 13 X 1.50
5	56507511	1	HYDROSTATIC/AUX PUMP ASSY
6	56900017	1	CONNECTOR O/R 10 12 E00001
7	56900116	1	ELBOW 90 O/R 10 12 E00003
8	56900119	1	ELBOW90DEG O/R 10-8 E00003
9	56900357	1	ELBOW 45 O-RING W/NUT
10	56107662	1	TUBE ELBOW 90 DEG-20
11	56900391	1	CONNECTOR O-RING
12	56900466	1	REDUCER 10-8 E00015
13	56497918	1	PUMP PISTON
14	56001858	2	SCR HEX 3/8 16 X 1.25
15	56002063	2	WSH FLT SAE 3/8
16	56507069	1	PUMP GEAR

TSB-FC-2014-029

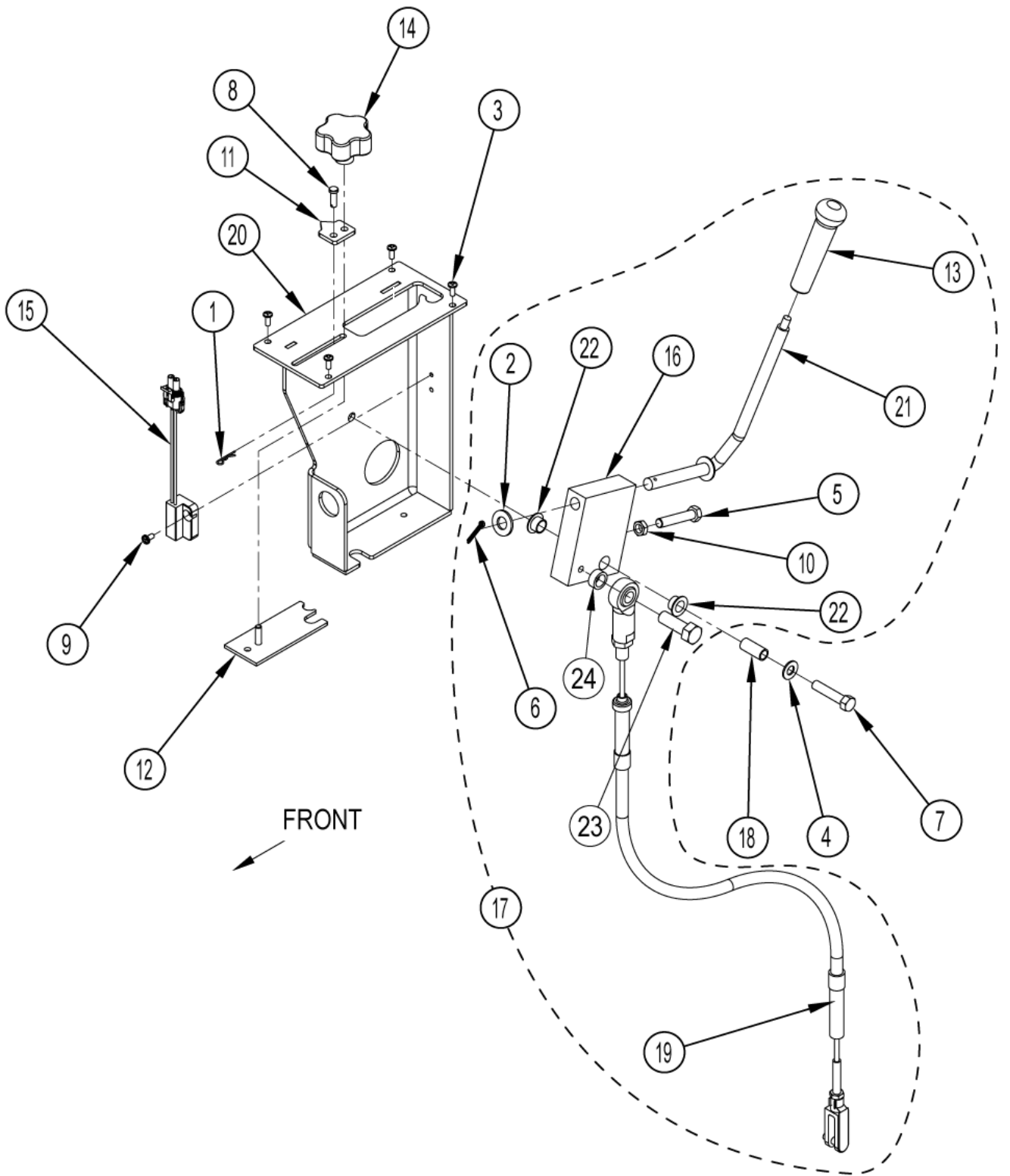
BROOM LIFT ASSY

SW8000

05-04-2015

Part List ID
SW800078

92



BROOM LIFT ASSY

SW8000

05-04-2015

Part List ID
SW800078

93

Pos	Part no.	Qty	Description
1	56003332	1	PIN COT HAIR .042X.188
2	56001879	1	WSH FLT SAE 1/2
3	56003902	4	SCR-TRUSS PHIL SS BLK10-24X.50
4	56002063	1	WSH FLT SAE 3/8
5	56002091	1	SCR HEX 3/8-16 X 2.00
6	56002529	1	PIN COT .12 X 1.00
7	56003771	1	SCR HEX HD LOC 3/8-16 1.75
8	56003663	1	PIN CLEVIS .250 X .750
9	56009030	1	SCR PAN PHIL THD FOM 10-24X.38
10	56009085	1	NUT HEX JAM 3/8 16
11	56304821	1	PLATE INDICATOR
12	56304822	1	STOP PLATE WELDMENT
13	56305010	1	KNOB BROOM
14	56305030	1	KNOB ADJUSTING
15	56305053	1	SENSOR PROXIMITY
16	56507109	1	BLOCK BROOM ARM PIVOT
17	56507110	1	BROOM ARM PIVOT ASSEMBLY (items 2, 5, 6, 10, 13, 16, 19, 21-24)
18	56507111	1	BUSHING.0.5 DIA X1.12
19	56508742	1	CABLE BROOM LIFT ASSSY
20	56107695	1	BROOM LIFT WELDT
21	56507408	1	HANDLE BROOM LIFT
22	56507560	2	BEARING PIVOT
23	56003778	1	SCR HEX LOC 1/2-20 X 1.50 GR 8
24	56051691	1	SPACER STL--.532X.750 .312L Z

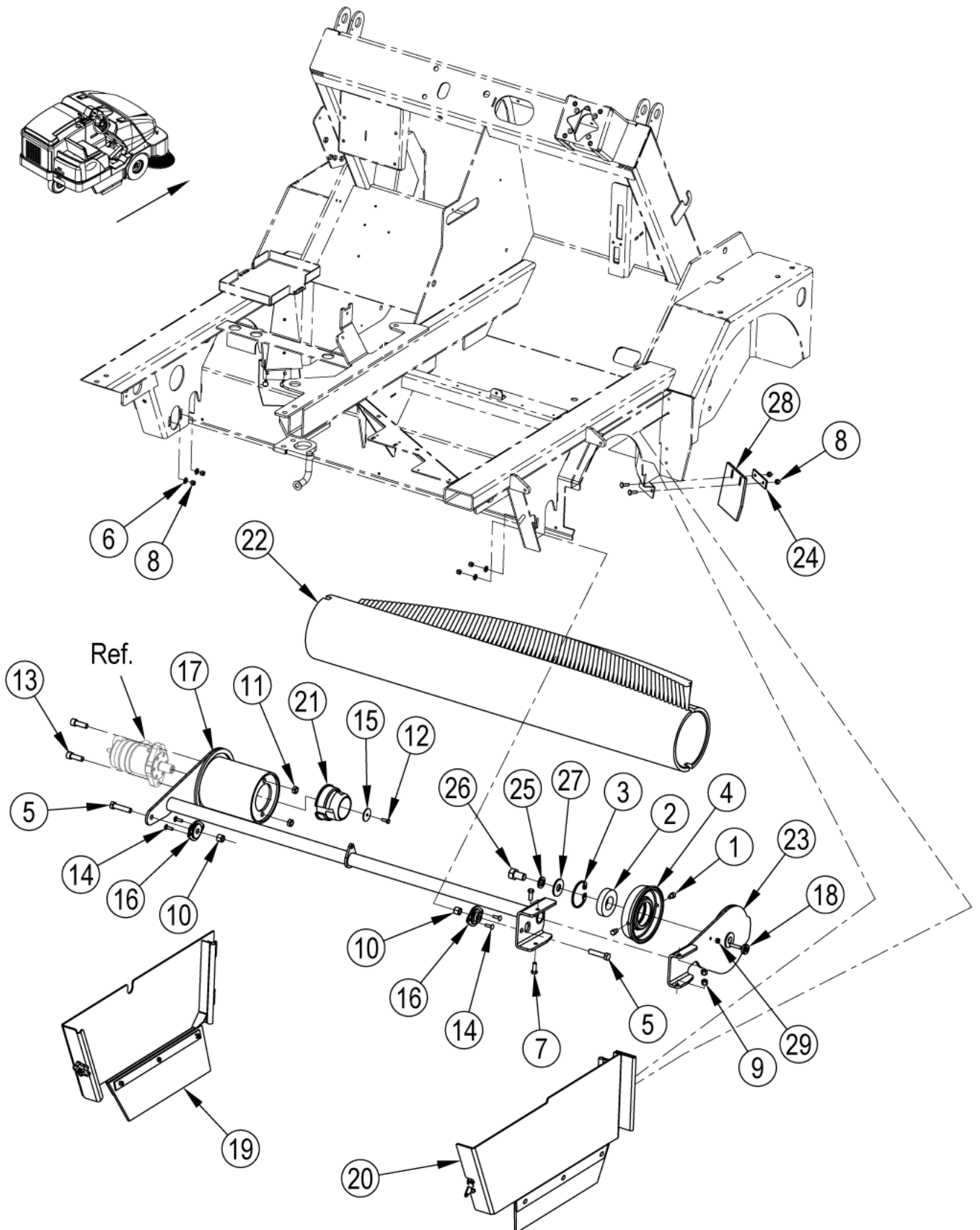
MAIN BROOM ASSY-1

SW8000

05-04-2015

Part List ID
SW800080

94



MAIN BROOM ASSY-1

SW8000

05-04-2015

Part List ID
SW800080

95

Pos	Part no.	Qty	Description
1	2-00-04886	2	SCREW-HSHC 3/8-16 X 1/2 LONG
2	2-00-04889	1	BEARING-MAIN BROOM IDLER
3	2-00-04890	1	RETAINING RING-BROOM IDLER
4	8-33-09090	1	IDLER-MAIN BROOM MACHINED
5	56003929	2	SCR-HEX SS 1/2-13 X 2.25
6	56002859	4	WSH FLT SAE SS 1/4
7	56002886	2	SCR HEX SS 3/8-16 X 1.00
8	56002491	8	NUT HEX NYL LOC SS 1/4-20
9	56003219	2	NUT HEX NYL LOC SS 3/8 16
10	56002846	2	NUT HEX NYL LOC SS 1/2-13
11	56002854	2	NUT HEX NYL LOC-THIN SS 1/2-13
12	56003221	1	SCR HEX LOC SS 1/4 20 X .75
13	56003930	2	SCR-SOC HD SS 1/2-13 X 1.50
14	56003828	8	SCR- CARRIAGE SS 1/4-20 X 1.00
15	56003931	1	WSH-FENDER SS .281X1.50X.074
16	56507230	2	BEARING
17	56107690	1	BROOM HANGER WELDT
18	56382765	1	LEVELER 5/16-18
19	56507396	1	LEFT BROOM DOOR ASSY
20	56507397	1	RIGHT BROOM DOOR ASSY
21	56507423	1	HUB
22	56507424	1	MAIN BROOM PROEX-WIRE
23	56107689	1	BRACKET-BROOM WELDT
24	56508248	2	STRAP FRONT TIRE FLAP
25	2-00-00522	1	LK WASH-HEL. ZN PL STEEL
26	56003932	1	SCR-HEX SS 3/4-10 X 1.25
27	8-75-01157	1	THRUST WASHER
28	56508247	2	FLAP FRONT TIRE TRAIL
29	56002851	1	NUT HEX NYL LOC-THIN SS5/16-18

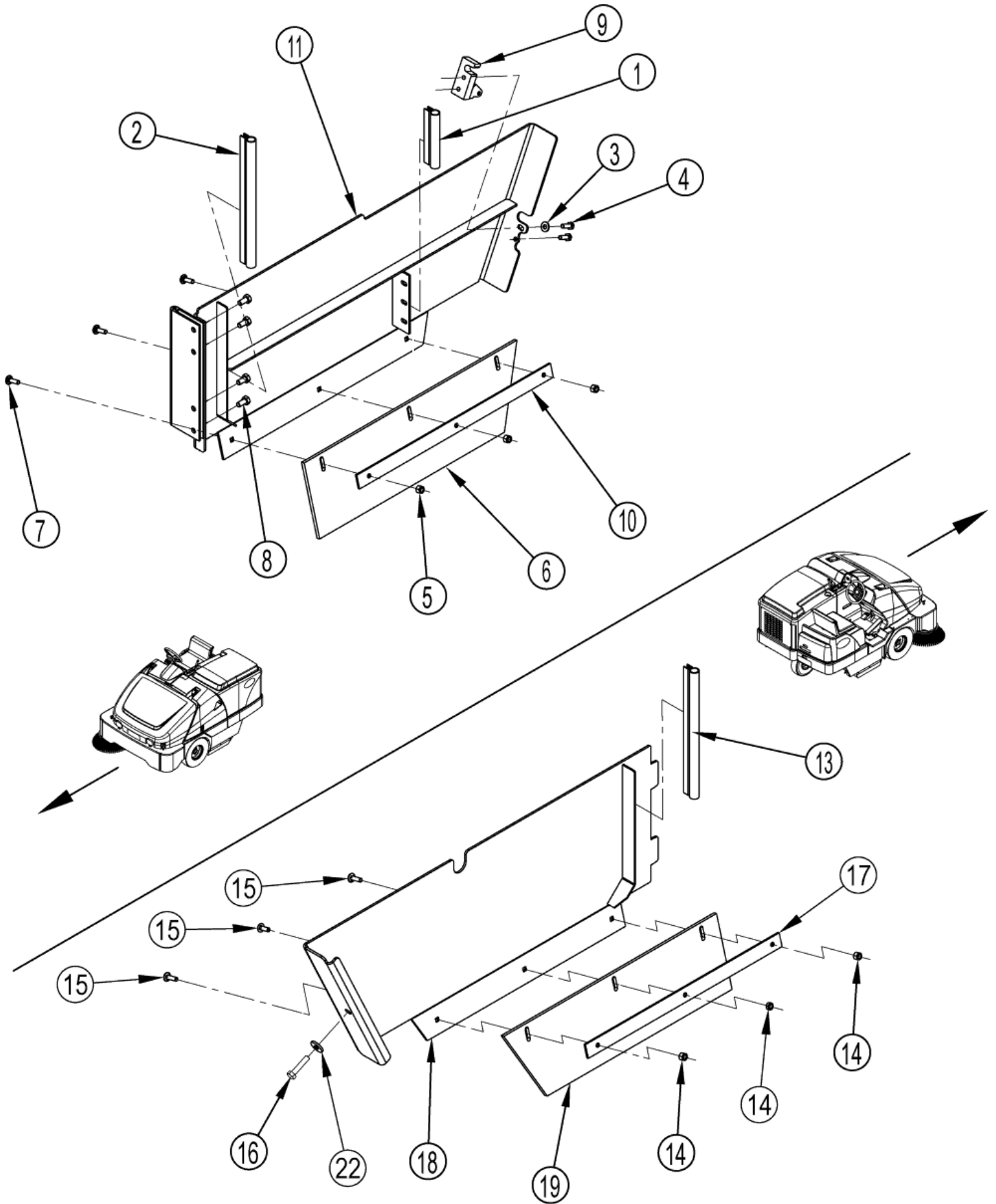
MAIN BROOM ASSY-2

SW8000

05-04-2015

Part List ID
SW800082

96



MAIN BROOM ASSY-2

SW8000

05-04-2015

Part List ID
SW800082

97

Pos	Part no.	Qty	Description
0	56507396	1	LEFT BROOM DOOR ASSY (items 13-19)
0	56507397	1	RIGHT BROOM DOOR ASSY (items 1-11)
1	56508377	1	GASKET
2	56508376	1	GASKET
3	56002859	1	WSH FLT SAE SS 1/4
4	56003221	2	SCR HEX LOC SS 1/4 20 X .75
5	56002491	3	NUT HEX NYL LOC SS 1/4-20
6	56507417	1	FLAP DOOR
7	56003916	3	SCR-CARRIAGE SS 1/4-20 X .88
8	56002937	4	SCR HEX HD LOC SS 5/16-18X .62
9	56413802	1	LATCH RH
10	56507118	1	STRAP DOOR FLAP
11	56107692	1	DOOR-BROOM RT WELDT
13	56508376	1	GASKET
14	56002491	3	NUT HEX NYL LOC SS 1/4-20
15	56003916	3	SCR-CARRIAGE SS 1/4-20 X .88
16	56003455	1	HEX HD SS 5/16-18 X 1.5
17	56507118	1	STRAP DOOR FLAP
18	56107691	1	DOOR-BROOM LT WELDT
19	56507417	1	FLAP DOOR
22	56009382	1	WSH-FLT SS .344 X 1.000 X .109

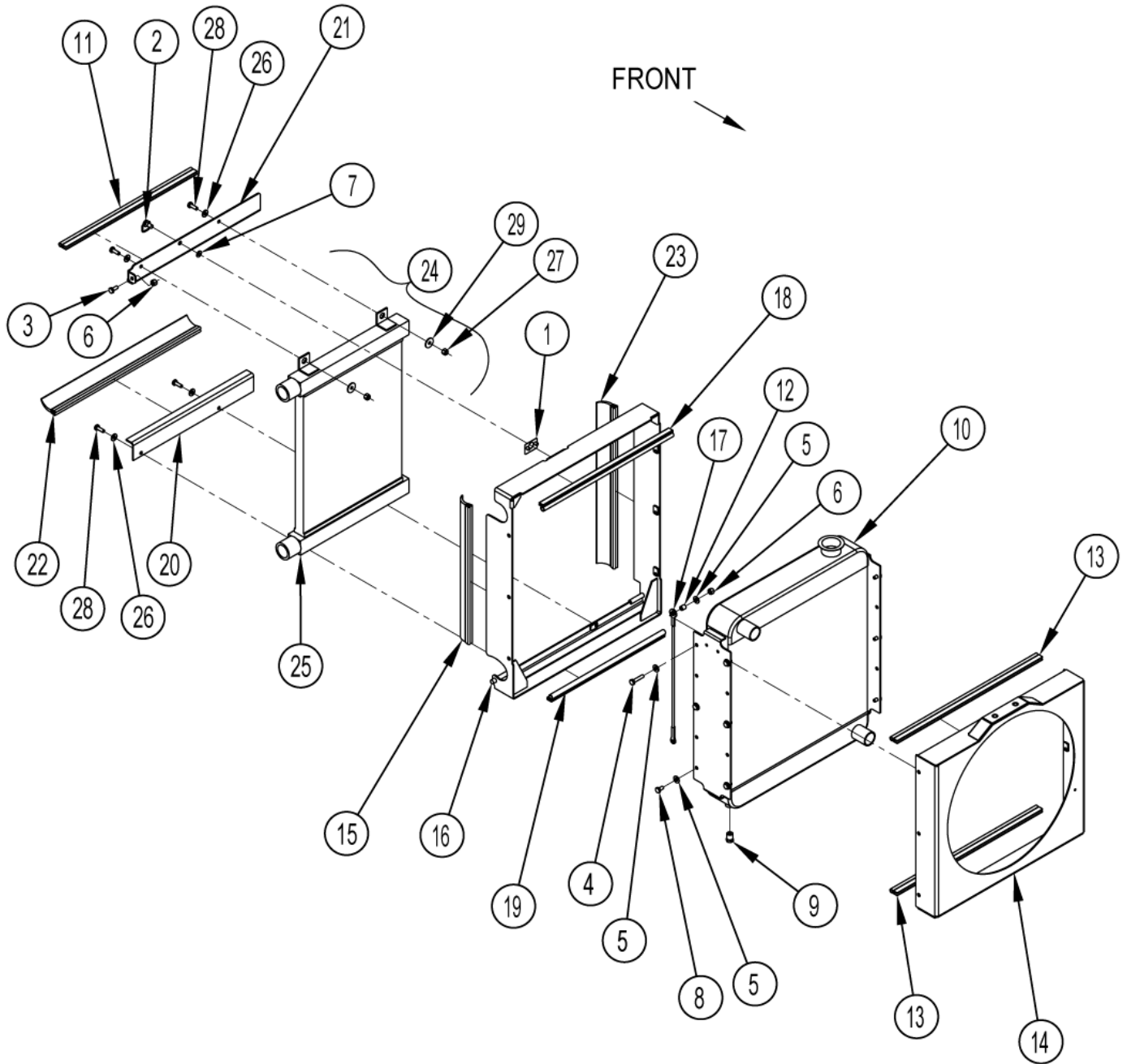
RADIATOR ASSY

SW8000

05-04-2015

Part List ID
SW800084

98



RADIATOR ASSY

SW8000

05-04-2015

Part List ID
SW800084

99

Pos	Part no.	Qty	Description	
0		1	NOTE COMMENT	Radiator Assembly (items 1-24)
1	7-23-03108	1	CLIP U TYPE	
2	7-23-03113	1	FASTENER QTR. TURN BJR5 50	
3	56001836	1	SCR HEX 1/4 20 X .62	
4	56001878	1	SCR HEX 1/4 20 X 1.25	
5	56002098	13	WSH FLT SAE 1/4	
6	56002708	2	NUT HEX NYL LOC 1/4-20	
7	7-23-03106	1	WASHER GP5B	
8	56003039	11	SCR HEX LOC 1/4-20 X .50	
9	56740136	1	PLUG BRASS E00040	
10	56107665	1	RADIATOR-6 FIN	
10	56305638	1	SMALL RADIATOR CAP 13 PSI	Optional, Not Included
10	56456431	1	CAP RADIATOR	Not Shown
11	56508435	1	GASKET	
12	56321532	1	BUSHING .25X.37X.40HC42C	
13	56418955	2	GASKET	
14	56508194	1	SHROUD RADIATOR	
15	56508315	1	GASKET RADIATOR	
16	56508240	1	SHROUD COOLER WELDT	
17	56107644	1	CABLE ASSY	
18	56508309	1	TRIM-SEAL	
19	56508310	1	TRIM-SEAL	
20	56508311	1	BRACKET	
21	56508312	1	BRACKET	
22	56508313	1	GASKET RADIATOR	
23	56508314	1	GASKET RADIATOR	
24	56507608	1	OIL COOLER ASSEMBLY	(items 25-29)
25	56463678	1	COOLER OIL	
26	56002098	4	WSH FLT SAE 1/4	
27	56002708	2	NUT HEX NYL LOC 1/4-20	
28	56002948	4	SCR HEX LOC 1/4 20 X 0.75	
29	56009002	2	WASHER FLAT .266X.906X.060	

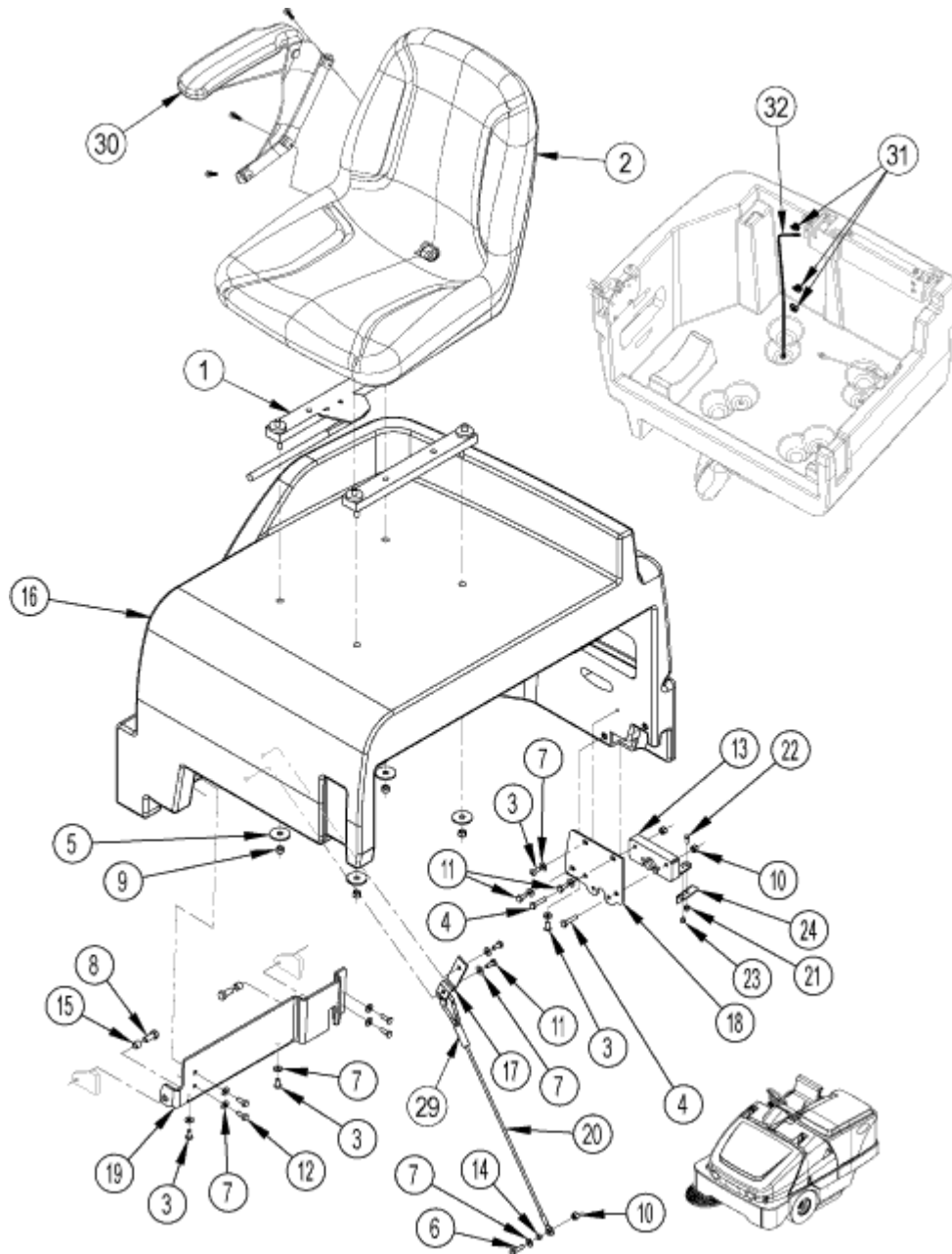
SEAT ASSY

SW8000

05-04-2015

Part List ID
SW800086

100



SEAT ASSY

SW8000

05-04-2015

Part List ID
SW800086

101

Pos	Part no.	Qty	Description	
1	7-72-05005	1	SLIDE ADJUSTER KIT	
2	56383291	1	SEAT-8 IN. MOUNT	Note 1
3	56009120	4	SCR PANPHIL SS TYPEB1/4-14X.62	
4	56001878	2	SCR HEX 1/4 20 X 1.25	
5	56009242	4	WSH FLT .406X1.50X.125	
6	56001836	1	SCR HEX 1/4 20 X .62	
7	56002098	13	WSH FLT SAE 1/4	
8	56002271	2	SCR HEX 3/8-16 X .88	
9	56002701	4	NUT HEX NYL LOC 5/16-18	
10	56002708	3	NUT HEX NYL LOC 1/4-20	
11	56002922	4	SCR HEX LOC 1/4-20 X .62	
12	56002948	4	SCR HEX LOC 1/4 20 X 0.75	
13	56304827	1	LATCH RH	
14	56163872	1	BUSHING .25X.37X.16PM6H	
15	56388326	2	BUSHING .38X.48X.41	
16	56507088	1	SEAT SUPPORT	
17	56508097	1	BRACKET	
18	56508322	1	BRACKET SEAT LATCH MTG	
19	56508330	1	SEAT PIVOT WELDT	
20	56508335	1	CABLE ASSEMBLY	
21	56002832	1	NUT HEX NYL LOC-THIN 10-24	
22	56009039	1	SCR HEX THD FORM 10-24X .50	
23	56009063	1	SCR HEX THD FORM 10-24X .25	
24	56107694	1	HANDLE LATCH	
29	56508774	1	SHRINK TUBE .75 X 2.5	
30	56383189	1	ARM REST KIT-R/H ONLY	Note 2
30	7-03-04250	1	ARM REST RH ONLY	Note 3
31	56507793	3	CLIP CONDUIT	
32	56508924	1	WIRE-ASSEMBLY	

NOTE 1: Seat 7-69-00008 has been replaced in production with Seat 56383291. If you need to replace Seat 7-69-00008 please order Seat Kit 56383467.

NOTE 2: Arm Rest Kit 56383189 is only for use on Seat 56383291.

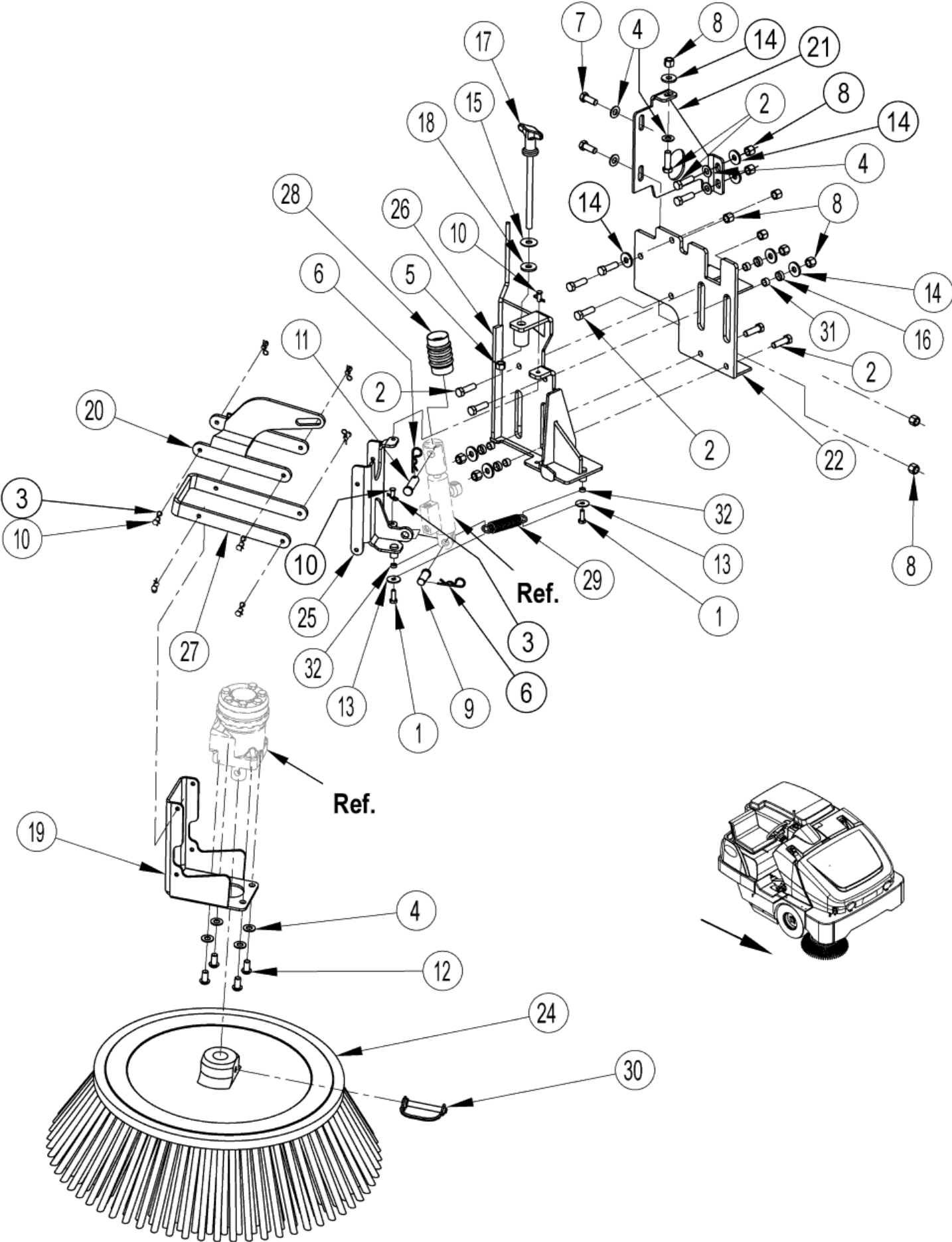
SIDE BROOM SYSTEM

SW8000

05-04-2015

Part List ID
SW800088

102



SIDE BROOM SYSTEM

SW8000

05-04-2015

Part List ID
SW800088

103

Pos	Part no.	Qty	Description
1	56002948	2	SCR HEX LOC 1/4 20 X 0.75
2	56001858	10	SCR HEX 3/8 16 X 1.25
3	56003530	10	PIN COT HAIR .059 X .375
4	56002063	9	WSH FLT SAE 3/8
5	56002123	1	NUT HEX MACHINE 3/8 16
6	56003120	2	PIN COT HAIR.093XDIA .25 .50
7	56002663	2	SCR HEX 3/8-16 X 1.00
8	56002769	12	NUT HEX NYL LOC 3/8-16
9	56003514	1	PIN CLEVIS .500 X 1.25
10	56003727	10	PIN CLEVIS .250 X .625
11	56003728	1	PIN CLEVIS .500 X 1.75
12	56003729	4	SCR SOC HD BUT LOC 3/8-16X.75
13	56009002	2	WASHER FLAT .266X.906X.060
14	56009107	8	WSH FLT SS .378/.373X1.00X.075
15	56151068	1	WSH FLT FIBRE ..406G31E
16	56365030	4	BUSHING CA334D
17	56413576	1	KNOB
18	56413599	1	WASHER RUBBER
19	56507078	1	MOUNT SIDE MOTOR
20	56507080	1	LINKAGE SIDE BROOM WELDT
21	56507122	1	BRACKET
22	56507148	1	BRACKET SIDE BROOM
24	56508498	1	SIDE BROOM POLY 41 DEGREES
25	56507502	1	BRACKET SIDE BROOM PIVOT
26	56507601	1	BRACKET SIDE BROOM MOUNT
27	56507633	1	SIDE BROOM LINKAGE
28	56507634	1	SIDE BROOM CYCLINDER BELLOWS
29	56507707	1	SPRING SIDE BROOM
30	56508392	1	PIN T-LOCK
31	56508363	4	BUSHING .377 X .49 X .30
32	56163872	2	BUSHING .25X.37X.16PM6H

LADDER DIAGRAM-1

SW8000

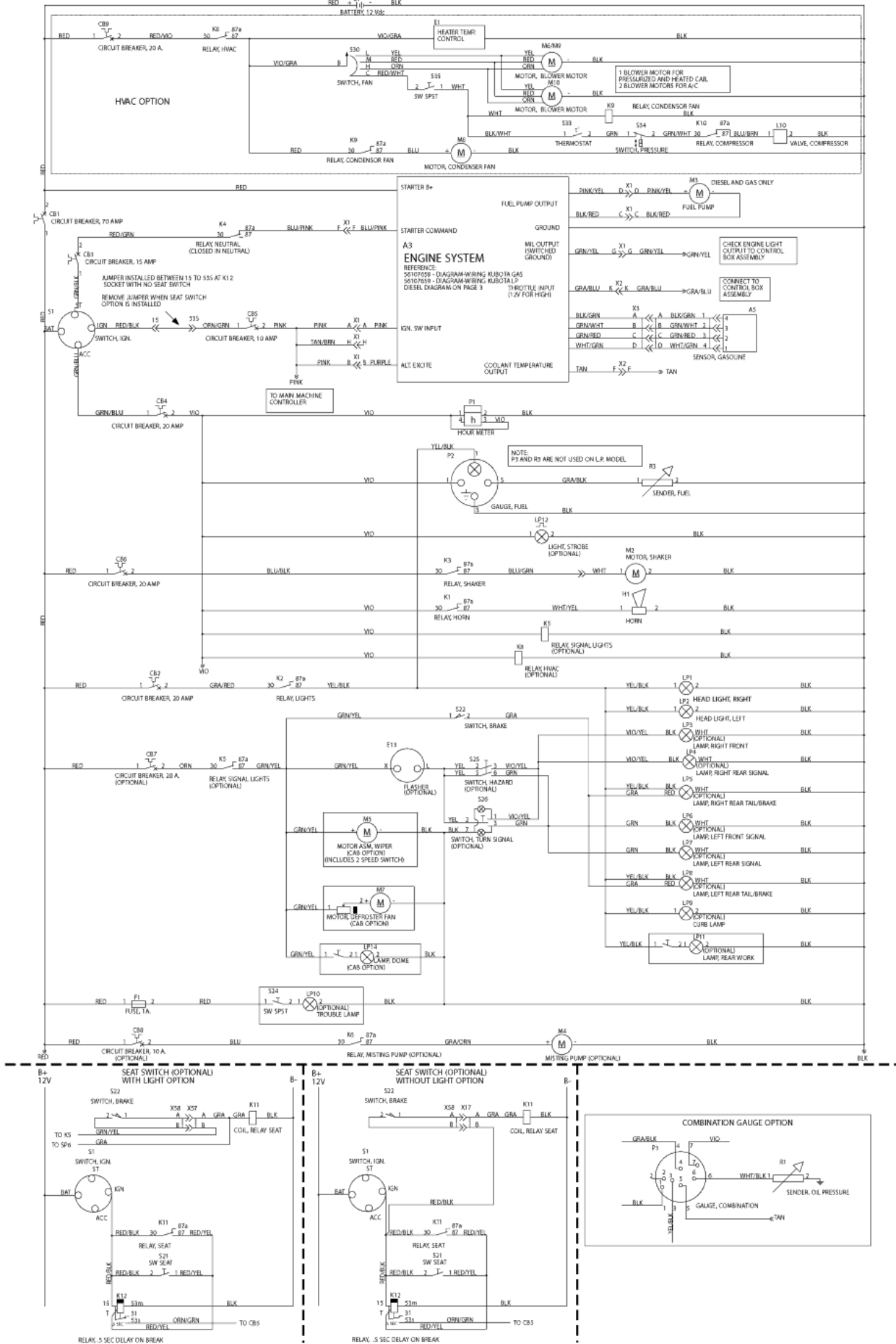
05-04-2015

Part List ID

SW800090

104

LADDER DIAGRAM-1



LADDER DIAGRAM-1

SW8000

05-04-2015

Part List ID
SW800090

105

Pos	Part no.	Qty	Description	
A3	56107647	1	ECU-KUBOTA LPG	LPG only)
A3	56107664	1	ECU-KUBOTA PETROL	Petrol only)
A5	56107670	1	FUEL MANIFOLD	(LPG & Petrol)
BT	33019628	1	BATTERY START 12V 77 AH	
E1	56508776	1	VALVE HEATER CONTROL	
F1		1	NOTE COMMENT	Fuse, 1 Amp
H1	56442054	1	HORN 12 VOLT CV438	
K1	56418387	1	RELAY SPDT	
K2	56418387	1	RELAY SPDT	
K3	56107639	1	RELAY	
K4	56418387	1	RELAY SPDT	
K5	56418387	1	RELAY SPDT	
K6	56418387	1	RELAY SPDT	
K8	56418387	1	RELAY SPDT	
K9	56508897	1	RELAY CONDENSER FAN	
M2	56508664	1	MOTOR 12VDC	
M3		1	NOTE COMMENT	Pump, Fuel NOTE 2
M4	56507851	1	PUMP 24 VDC	
M5	56508636	1	WIPER MOTOR	
M6	0882-055	1	MOTOR	
M7	56508820	1	ASSY DASH FAN	
M8	56508896	1	FAN CONDENSER	
M9	56508898	1	FAN BLOWER	
P1	56393718	1	HOURMETER	
P2	8-48-05032	1	GAUGE-FUEL	
P3	56304569	1	GAUGE 4 IN 1	
P3	56304589	1	GAUGE 3 IN 1	
R1	56305619	1	SENDER PRESSURE	
R3	56478358	1	SENDER FUEL LEVEL RE437A	
S1	56418685	1	SWITCH STARTER	
S1	56497754	1	KEY SWITCH	
CB1	56454429	1	CIRCUIT BREAKER 70A	
CB2	56413822	1	CIRCUIT BREAKER 20 AMP	
CB3	56413407	1	CIRCUIT BREAKER 15 AMP	
CB4	56413822	1	CIRCUIT BREAKER 20 AMP	
CB5	56507644	1	CIRCUIT BREAKER 10 AMP	
CB6	56413822	1	CIRCUIT BREAKER 20 AMP	
CB7	56413822	1	CIRCUIT BREAKER 20 AMP	
CB8	56507644	1	CIRCUIT BREAKER 10 AMP	
CB9		1	NOTE COMMENT	Circuit Breaker, 40 Amp (for cab option)
E13	56507887	1	FLASHER 12V 2 TERMINAL	
K10	56418387	1	RELAY SPDT	
L10	56508798	1	VALVE HYDRAULIC	

NOTE 1: Reference; 56382530 = Ladder Diagram & 56382531 = Wiring Diagram.

NOTE 2: Part number is dependent on engine, see ENGINE REPLACEMENT PARTS of appropriate engine.

LADDER DIAGRAM-1

SW8000

05-04-2015

Part List ID
SW800090

106

Pos	Part no.	Qty	Description
LP1	56507223	1	HEAD LIGHT ASSEMBLY
LP2	56507223	1	HEAD LIGHT ASSEMBLY
LP3	56507113	1	LIGHT AMBER ROUND TURN
LP4	56507113	1	LIGHT AMBER ROUND TURN
LP5	56507112	1	LIGHT RED ROUND STOP
LP6	56507113	1	LIGHT AMBER ROUND TURN
LP7	56507113	1	LIGHT AMBER ROUND TURN
LP8	56507112	1	LIGHT RED ROUND STOP
LP9	56507830	1	LAMP 12V
M10	56508898	1	FAN BLOWER
S22	56508191	1	SWITCH ASSEMBLY N.O.
S24		1	NOTE COMMENT Switch (part of LP10)
S25	56507889	1	SWITCH SPDT ROCKER
S26	56507888	1	SWITCH SPDT ROCKER
S30		1	NOTE COMMENT Switch, Fan
S33	56508899	1	SWITCH THERMOSTAT
S34	56508871	1	SWITCH BINARY
S35	56507889	1	SWITCH SPDT ROCKER
LP1	56305627	1	TROUBLE LAMP
LP1	56507830	1	LAMP 12V
LP1	56305223	1	BEACON WARNING
LP1	56508819	1	ASSY DOME LIGHT

NOTE 1: Reference; 56382530 = Ladder Diagram & 56382531 = Wiring Diagram.

NOTE 2: Part number is dependent on engine, see ENGINE REPLACEMENT PARTS of appropriate engine.

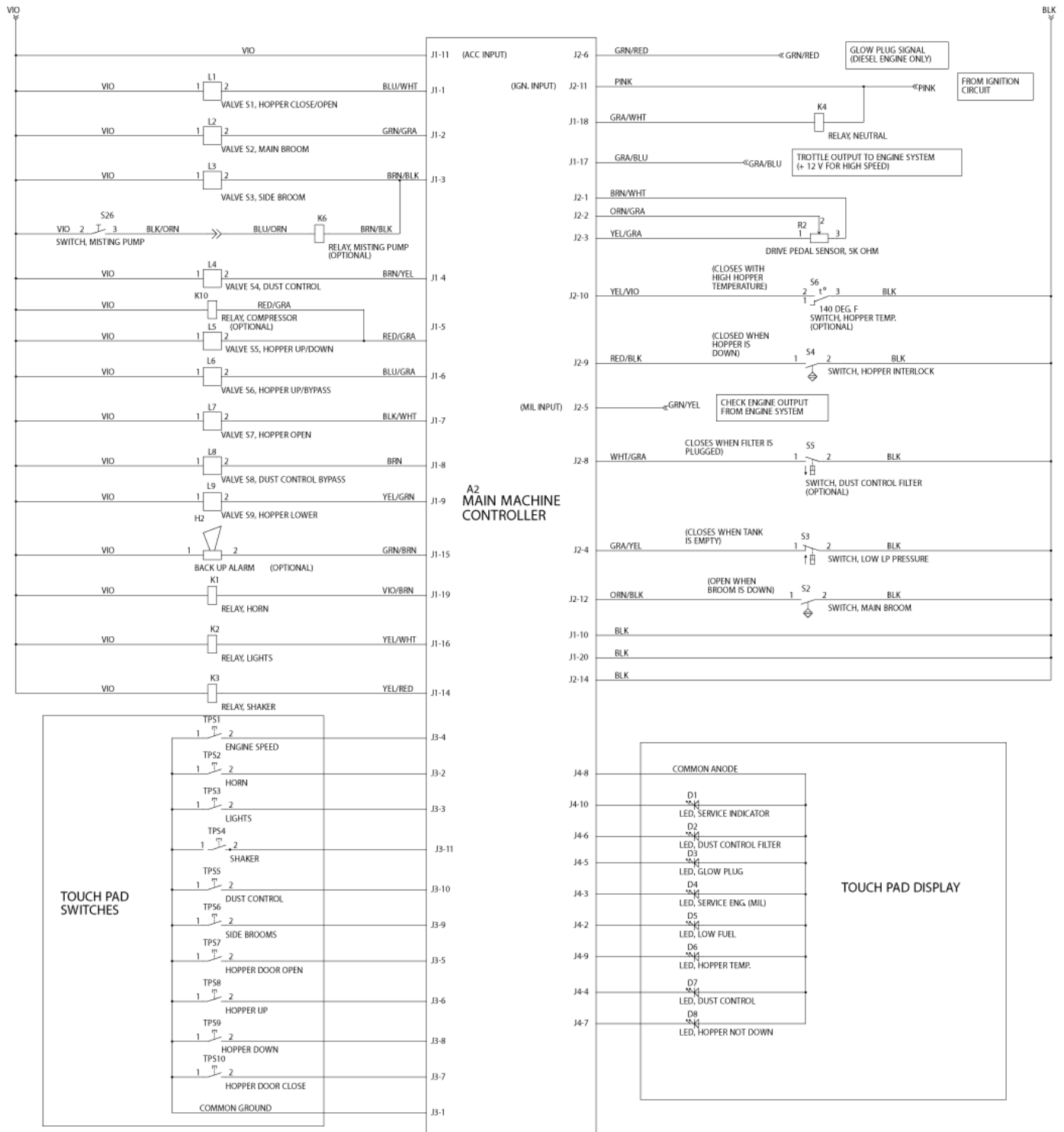
LADDER DIAGRAM-2

SW8000

05-04-2015

Part List ID
SW800092

107



LADDER DIAGRAM-2

SW8000

05-04-2015

Part List ID
SW800092

108

Pos	Part no.	Qty	Description	
A2	56107627	1	KIT-CONTROL BOX	CONTROL BOX ASSEMBLY
H2	56409232	1	BACK-UP ALARM	BACK UP ALARM
K1	56418387	1	RELAY SPDT	RELAY, HORN
K2	56418387	1	RELAY SPDT	RELAY, LIGHTS
K3	56107639	1	RELAY	RELAY, SHAKER
K4	56418387	1	RELAY SPDT	RELAY, NEUTRAL
K6	56418387	1	RELAY SPDT	RELAY, MISTING PUMP (OPTIONAL)
L1		1	NOTE COMMENT	VALVE S1, HOPPER CLOSE/OPEN
L2		1	NOTE COMMENT	VALVE S2, MAIN BROOM
L3		1	NOTE COMMENT	VALVE S3, SIDE BROOM
L4		1	NOTE COMMENT	VALVE S4, DUST CONTROL
L5		1	NOTE COMMENT	VALVE S5, HOPPER UP/DOWN
L6		1	NOTE COMMENT	VALVE S6, HOPPER UP/BYPASS
L7		1	NOTE COMMENT	VALVE S7, HOPPER OPEN
L8		1	NOTE COMMENT	VALVE S8, DUST CONTROL BYPASS
L9		1	NOTE COMMENT	VALVE S9, HOPPER LOWER
R2	56305129	1	ROTARY SENSOR	DRIVE PEDAL SENSOR, 5K OHM
S2	56305053	1	SENSOR PROXIMITY	SWITCH, MAIN BROOM
S3	56418381	1	SWITCH N C PRESSURE	SWITCH, LOW LP PRESSURE
S4	56305053	1	SENSOR PROXIMITY	SWITCH, HOPPER INTERLOCK
S5	56305518	1	SWITCH VACUUM	SWITCH, DUST CONTROL FILTER (OPTIONAL)
S6	56418405	1	SWITCH TEMPERATURE	SWITCH, HOPPER TEMP. (OPTIONAL)
S26		1	NOTE COMMENT	SWITCH, MISTING PUMP (OPTIONAL)
TPS		1	NOTE COMMENT	TOUCH PAD SWITCH, ENGINE SPEED NOTE
TPS		1	NOTE COMMENT	TOUCH PAD SWITCH, HORN NOTE 1
TPS		1	NOTE COMMENT	TOUCH PAD SWITCH, LIGHTS NOTE 1
TPS		1	NOTE COMMENT	TOUCH PAD SWITCH, SHAKER NOTE 1
TPS		1	NOTE COMMENT	TOUCH PAD SWITCH, DUST CONTROL NOTE 1
TPS		1	NOTE COMMENT	TOUCH PAD SWITCH, SIDE BROOMS NOTE 1
TPS		1	NOTE COMMENT	TOUCH PAD SWITCH, HOPPER DOOR OPEN NOTE 1
TPS		1	NOTE COMMENT	TOUCH PAD SWITCH, HOPPER UP NOTE 1
TPS		1	NOTE COMMENT	TOUCH PAD SWITCH, HOPPER DOWN NOTE 1
TPS		1	NOTE COMMENT	TOUCH PAD SWITCH, HOPPER DOOR CLOSE NOTE 1

NOTE 1: Part of Touch Pad 56107601 for petrol and LPG or 56107603 for diesel.

NOTE 2: Reference; 56382530 = Ladder Diagram & 56382531 = Wiring Diagram.

LADDER DIAGRAM-3

SW8000

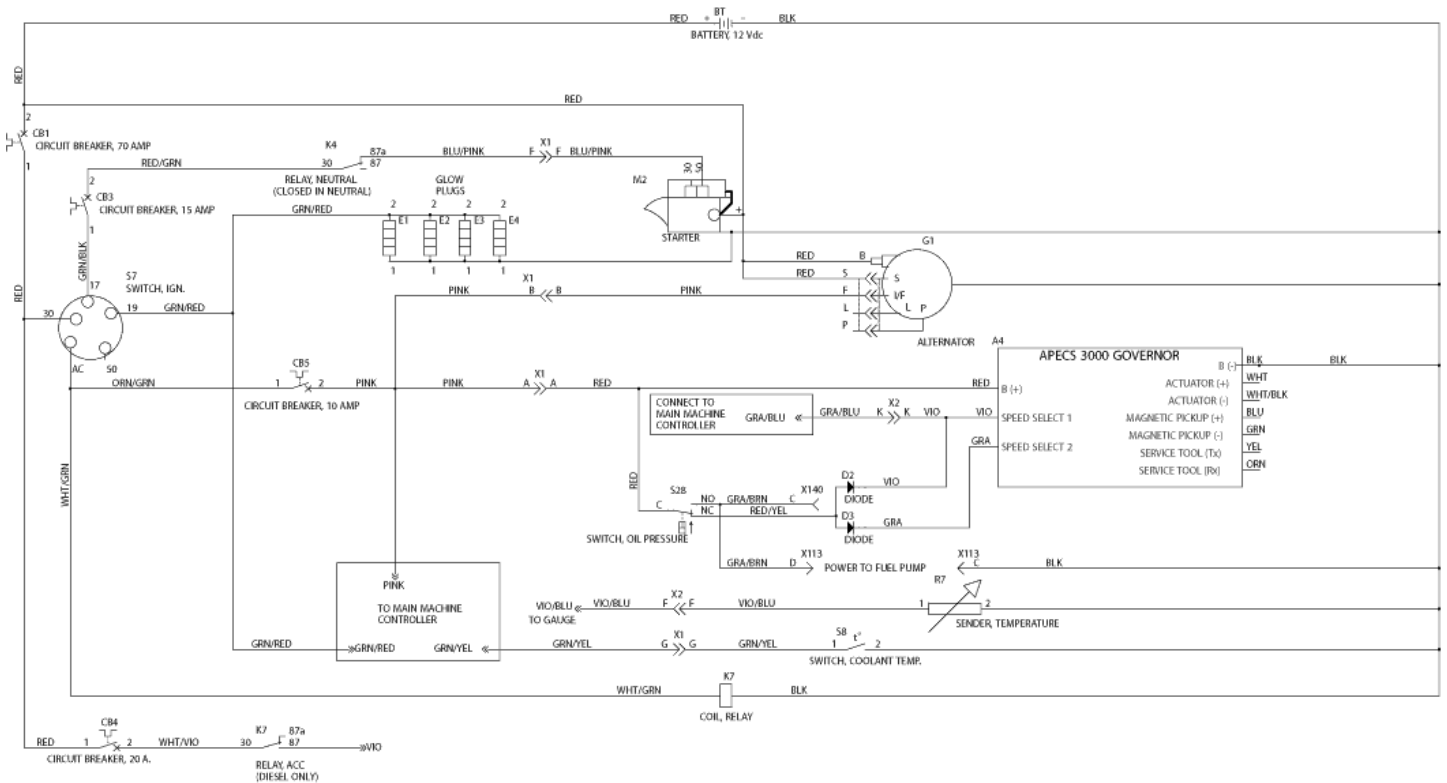
05-04-2015

Part List ID
SW800094

109

LADDER DIAGRAM-3

KUBOTA DIESEL ENGINE SYSTEM



LADDER DIAGRAM-3

SW8000

05-04-2015

Part List ID
SW800094

110

Pos	Part no.	Qty	Description	
A4	56508400	1	GOVERNOR CONTROLLER	
BT	33019628	1	BATTERY START 12V 77 AH	
D2		1	NOTE COMMENT	Diode
D3		1	NOTE COMMENT	Diode
E1		1	NOTE COMMENT	Glow Plug
E2		1	NOTE COMMENT	Glow Plug
E3		1	NOTE COMMENT	Glow Plug
E4		1	NOTE COMMENT	Glow Plug
G1	56110738	1	ALTERNATOR 105 AMP	
K4	56418387	1	RELAY SPDT	
K7	56418387	1	RELAY SPDT	(Diesel only)
M2	56419089	1	STARTER MOTOR	
R7	56305873	1	SENDER TEMPERATURE	
S7	56497754	1	KEY SWITCH	
S8	56419091	1	SWITCH TEMPERATURE	
CB1	56454429	1	CIRCUIT BREAKER 70A	
CB3	56413407	1	CIRCUIT BREAKER 15 AMP	
CB4	56413822	1	CIRCUIT BREAKER 20 AMP	
CB5	56507644	1	CIRCUIT BREAKER 10 AMP	
S28		1	NOTE COMMENT	Switch, Oil Pressure

NOTE 1: Reference; 56382530 = Ladder Diagram & 56382531 = Wiring Diagram.

OPTIONAL KITS & ACCESSORIES

SW8000

05-04-2015

Part List ID
SW800096

111

No Drawing For Part List

OPTIONAL KITS & ACCESSORIES

SW8000

05-04-2015

Part List ID
SW800096

112

Pos	Part no.	Qty	Description	
1		1	NOTE COMMENT	OPTIONS
2	56507184	1	LEFT HAND SIDE BROOM OPTION	
3	56507228	1	TILT STEERING OPTION	
4	56507025	1	ASSY HEATER-PRESSURIZER	NOTE 3
5	56507021	1	ASSY HEATER-PRESSR AND AC	NOTE 3
6	56107780	1	ASSY HEATER-PRESSR AND AC	NOTE 4
7	56107781	1	ASSY HEATER-PRESSURIZER	NOTE 4
8	666666	1	NOTE COMMENT	CAB MODEL ACCESSORIES
9	56508811	1	REAR BUMPER KIT-CAB	NOTE 1
10	56508812	1	BROOM GUARD/REAR BUMP KIT-CAB	NOTE 1
11	56508813	1	FIRE EXTINGUISHER KIT-CAB	
12	56508663	1	MIRROR KIT FOR CAB AND OHG	
13	56508826	1	RAISED INTAKE FILTER CAB	NOTE 1
14		1	NOTE COMMENT	ACCESSORIES
15	56507030	1	LITTER VAC KIT	NOTE 1
16	56507029	1	HOPPER TEMP SENSOR KIT	NOTE 1
17	56507036	1	PLUGGED FILTER SWITCH KIT	NOTE 1
18	56507033	1	RAISED INTAKE FILTER NO OHG	NOTE 1
19	56507037	1	FOAM FILLED TIRE KIT	
20	56508873	1	SOLID TIRE KIT	
21	56507023	1	BACK UP ALARM KIT	
22	56507024	1	BRAKE/TURN SIGNAL LIGHT KIT	NOTE 1
23	56507034	1	WORK LIGHT KIT	NOTE 1
24	56507038	1	AMBER STROBE NO OHG	STANDARD ON NONCAB MODELS)
25	56507039	1	AMBER STROBE FOR OHG	NOTE 1
26	56508825	1	AMBER STROBE CAB	(STANDARD ON CAB MODELS)
27	56507394	1	OVERHEAD GUARD KIT	NOTE 1
28	56507040	1	SUSPENSION SEAT KIT	NOTE 1
29	56383455	1	SEAT BELT KIT- STANDARD SEAT	NOTE 1
30	56383885	1	KUBOTA DIESEL GAUGE KIT-BSPP	(Standard on all Diesel models) NOTE 1 / NOTE 5
31	56508722	1	KUBOTA DIESEL GAUGE KIT	(Standard on all Diesel models) NOTE 1 / NOTE 6
32	56107673	1	KUBOTA LPG GAUGE KIT-4 CYL	(Standard on all LPG models) NOTE 1
32	56107674	1	KUBOTA GASOLINE GAUGE KIT-4CYL	(Standard on all Petrol models) NOTE 1
33	56507850	1	MIST SPRAY KIT	NOTE 1
34	56508364	1	RIGHT SIDE BROOM GUARD KIT	NOTE 1
35	56508365	1	LEFT SIDE BROOM GUARD KIT	NOTE 1
36	56508720	1	REAR BUMPER KIT	NOTE 1
37	56508741	1	BROOM GUARD/REAR BUMPER KIT	NOTE 2

NOTE 1: Replacement parts for the kits listed above can be found on each kit's associated instruction sheet.

NOTE 2: Consists of 56508364, 56508365 & 56508720.

NOTE 3: Factory installed kit only for diesel cab models.

NOTE 4: Factory installed kit only for gasoline/petrol and LPG cab models.

NOTE 5: All Diesel machines built after serial number 1000053695 needing to replace the Temperature Sender 56383884 or a dealer installed Diesel Gauge Kit, use Diesel Gauge

Kit BSPP 56383885. All Diesel machines getting a first time installation of a Diesel Gauge Kit regardless of the serial number, use Diesel Gauge Kit BSPP 56383885.

NOTE 6: All Diesel machines built before serial number 1000053696 with factory installed temperature gauge

OPTIONAL KITS & ACCESSORIES

SW8000

05-04-2015

Part List ID
SW800096

113

Pos	Part no.	Qty	Description	
38	56107612	1	FRONT BUMPER KIT	NOTE 1
39	8-24-04139-1	1	FLTR PANEL ULTRA-WEB CELLULOSE	
40	56382789	1	FILTER PANEL POLY HIGH FLOW	
41	56508953	1	FILTER-HEPA	
42	56508433	1	FLOOR MAT KIT	
43	56508889	1	HOPPER BOTTOM PLATE KIT	
44	56507710	1	POCKET FILTER ASSEMBLY	
45	56507740	1	POCKET FILTER WATER RESISTANT	
46	56507588	1	POCKET FILTER FILTRO SACCHE	
47	56044637	1	LITERATURE PACK	
48	56044638	1	LITERATURE PACK	
49	56504516	1	KIT-HYDRAULIC TEST	
50	56107680	1	KIT-SIDE BROOM SPEED CONTROL	
51	56107638	1	BROOM CHEVRON MAIN-PROPE	
52		1	NOTE COMMENT	
53	56107764	1	CD-KUBOTA ENGINE SOFTWARE	
54		1	NOTE COMMENT	MAIN BROOMS
55	56507424	1	MAIN BROOM PROEX-WIRE	
56	56507340	1	MAIN BROOM PROEX-WIRE CHEVRON	
57	56507342	1	MAIN BROOM PROEX-WIRE-12 ROW	
58	56507345	1	MAIN BROOM NYLON	
59	56507346	1	MAIN BROOM PROEX	
60	56507344	1	MAIN BROOM POLYPRO-WIRE-12 ROW	
61	56507343	1	MAIN BROOM POLYPROPYLENE	
62	56107638	1	BROOM CHEVRON MAIN-PROPE	
63		1	NOTE COMMENT	SIDE BROOMS
64	56507350	1	SIDE BROOM POLYPROPYLENE	
65	56507351	1	SIDE BROOM NYLON	
66	56507352	1	SIDE BROOM FLAT WIRE	
67	56508498	1	SIDE BROOM POLY 41 DEGREES	
68	56508499	1	SIDE BROOM NYLON 41 DEGREES	

NOTE 1: Replacement parts for the kits listed above can be found on each kit's associated instruction sheet.

NOTE 2: Consists of 56508364, 56508365 & 56508720.

NOTE 3: Factory installed kit only for diesel cab models.

NOTE 4: Factory installed kit only for gasoline/petrol and LPG cab models.

NOTE 5: All Diesel machines built after serial number 1000053695 needing to replace the Temperature Sender 56383884 or a dealer installed Diesel Gauge Kit, use Diesel Gauge Kit BSPP 56383885. All Diesel machines getting a first time installation of a Diesel Gauge Kit regardless of the serial number, use Diesel Gauge Kit BSPP 56383885.

NOTE 6: All Diesel machines built before serial number 1000053696 with factory installed temperature gauge

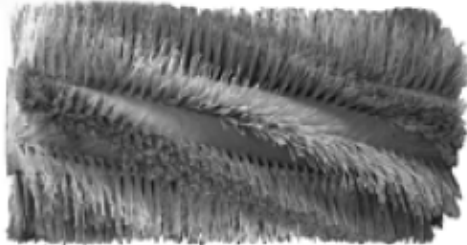
BROOM SELECTOR GUIDE

SW8000

05-04-2015

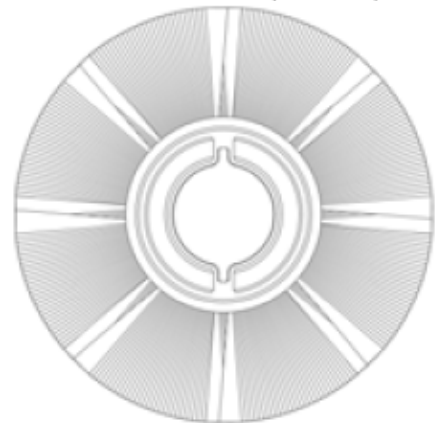
Part List ID
SW800098

114



8 Double Row

Length.....50" (127.6 cm)
Diameter 14" (35.56 cm)



- Main Broom:** 56507424 Proex & Wire (STD.) (8 Double Rows)
56507340 Proex & Wire (optional) (Chevron)
56507342 Proex & Wire (optional) (12 D-Rows)

This broom has a more aggressive cleaning action, used to pick up heavier debris.

56507345 Nylon (optional) (8 D-Rows)

General purpose broom that can be used for all types of light soil. High wear material so uneven surfaces do not cause excessive wear. Nylon has a high heat deflection temperature, is chemical resistant and will absorb water in wet conditions. Truly a general purpose broom.

56507341 Proex (optional) (12 Double Rows)

56507346 Proex (optional) (8 Double Rows)

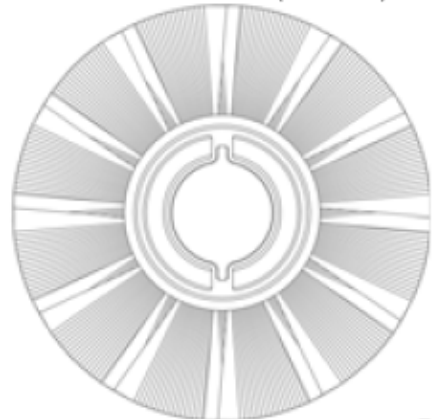
Synthetic fiber made of polypropylene designed to pick up paper gravel, sand and other lighter less bulky litter.

56507344 Polypropylene/Wire (optional) (12 D-Rows)

56507343 Polypropylene (optional) (8 D-Rows)

12 Double Row

Length.....50" (127.6 cm)
Diameter 14" (35.56 cm)



- Side Broom:** 56507350 Polypropylene 30° (STD.)

The side broom function is to sweep the dirt and debris away from the curb, wall, pallet, etc. into the path of the main broom.

56507351 Nylon 30° (optional)

56507352 Wire 30° (optional)

56508498 Polypropylene 41° (optional)

56508499 Nylon 41° (optional)



(30°) Diameter.....22" (58 cm)
(41°) Diameter.....26" (66 cm)

BROOM SELECTOR GUIDE

SW8000

05-04-2015

Part List ID
SW800098

115

Pos	Part no.	Qty	Description
1	56507424	1	MAIN BROOM PROEX-WIRE
2	56507340	1	MAIN BROOM PROEX-WIRE CHEVRON
3	56507342	1	MAIN BROOM PROEX-WIRE-12 ROW
4	56507345	1	MAIN BROOM NYLON
6	56507346	1	MAIN BROOM PROEX
7	56507344	1	MAIN BROOM POLYPRO-WIRE-12 ROW
8	56507343	1	MAIN BROOM POLYPROPYLENE
9	56507350	1	SIDE BROOM POLYPROPYLENE
10	56507351	1	SIDE BROOM NYLON
11	56507352	1	SIDE BROOM FLAT WIRE
12	56508498	1	SIDE BROOM POLY 41 DEGREES
13	56508499	1	SIDE BROOM NYLON 41 DEGREES

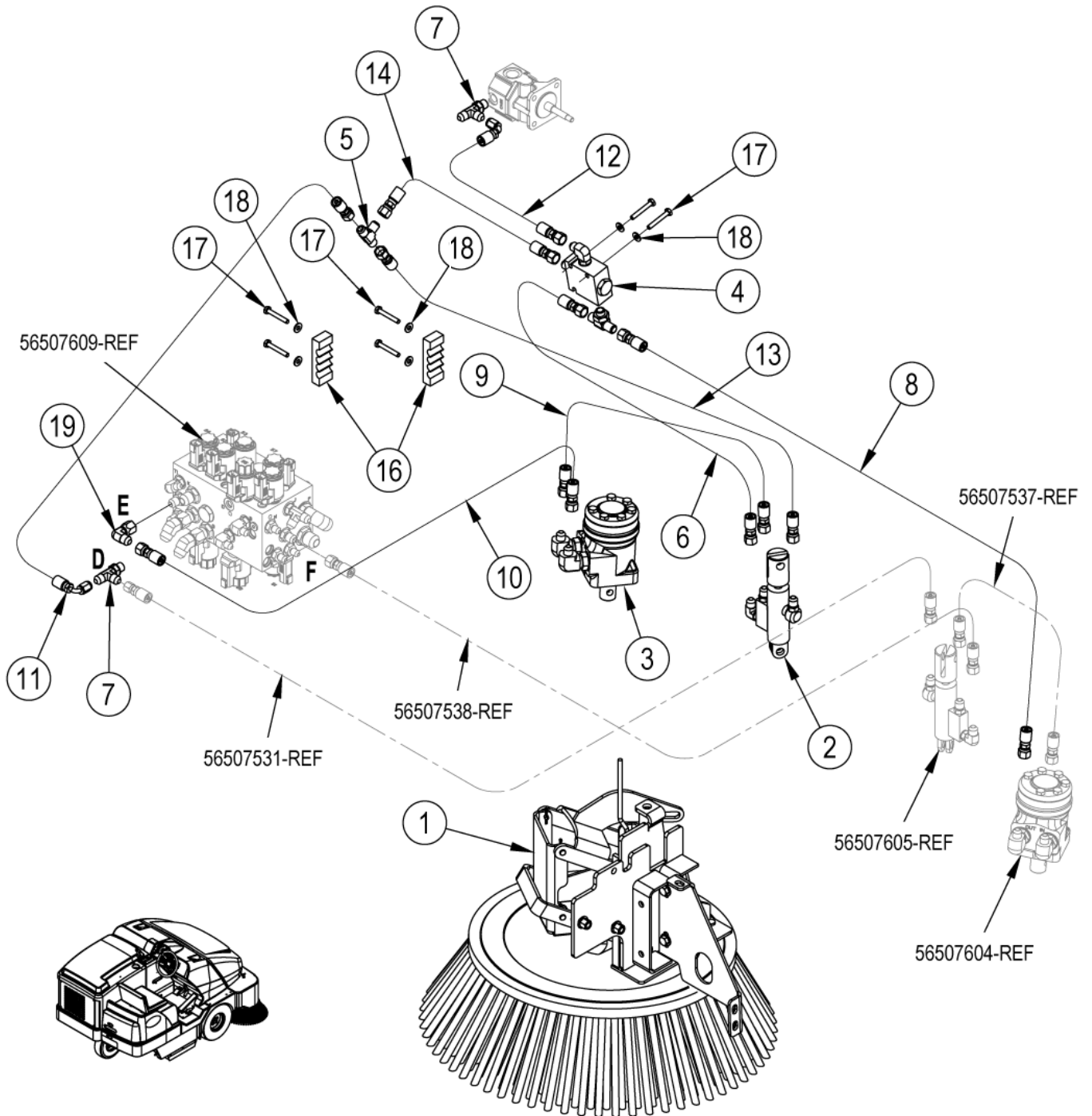
LEFT HAND SIDE BROOM OPTION-1

SW8000

05-04-2015

Part List ID
SW8000100

116



LEFT HAND SIDE BROOM OPTION-1

SW8000

05-04-2015

Part List ID
SW8000100

117

Pos	Part no.	Qty	Description	
1	56507026	1	LEFT HAND SIDE BROOM OPTION	See Left Hand Side Broom Option-2
2	56507202	1	CYLINDER SIDE BROOM LEFT	
2	56507367	1	LEFT SIDE BROOM CYLINDER ASSY	
2	56900286	1	ELBOW 90 DEG E00003	
2	56900370	2	CONNECTOR O RING	
3	56507064	1	MOTOR SIDE BROOM	
3	56507604	1	SIDE BROOM MOTOR ASSEMBLY	
3	56507619	1	SEAL KIT FOR SIDE BROOM MOTOR	
3	56900113	2	ELBOW 90 DEG.O/R	
4	56109780	1	VALVE PO CHECK	
4	56109781	1	VALVE ASSY	
4	56900003	1	CONNECTOR O/R 6 E00001	
4	56900103	1	ELBOW 90 DEG O/R 6 E00003	
4	56900353	1	TEE BRANCH O RING E00006	
5	56900443	1	TEE E00014	
6	56508305	1	HOSE HYDRAULIC	
7	56900201	2	TEE RUN O/R 4 E00005	
8	56507356	1	HOSE HYDRAULIC	
9	56507537	1	HOSE HYDRAULIC	
10	56507538	1	HOSE HYDRAULIC	
11	56507788	1	HOSE HYDRAULIC	
12	56508308	1	HOSE HYDRAULIC	
13	56508306	1	HOSE HYDRAULIC	
14	56508307	1	HOSE HYDRAULIC	
15	56477613	3	CABLE TIE E00549 RE409S	
16	56507922	1	HOSE CLAMP HYDRAULIC	
17	56001967	6	SCR HEX 1/4 20 X 1.75	
18	56002098	6	WSH FLT SAE 1/4	
19	56900303	1	ELBOW 90D W/NUT 6C6X S E00007	

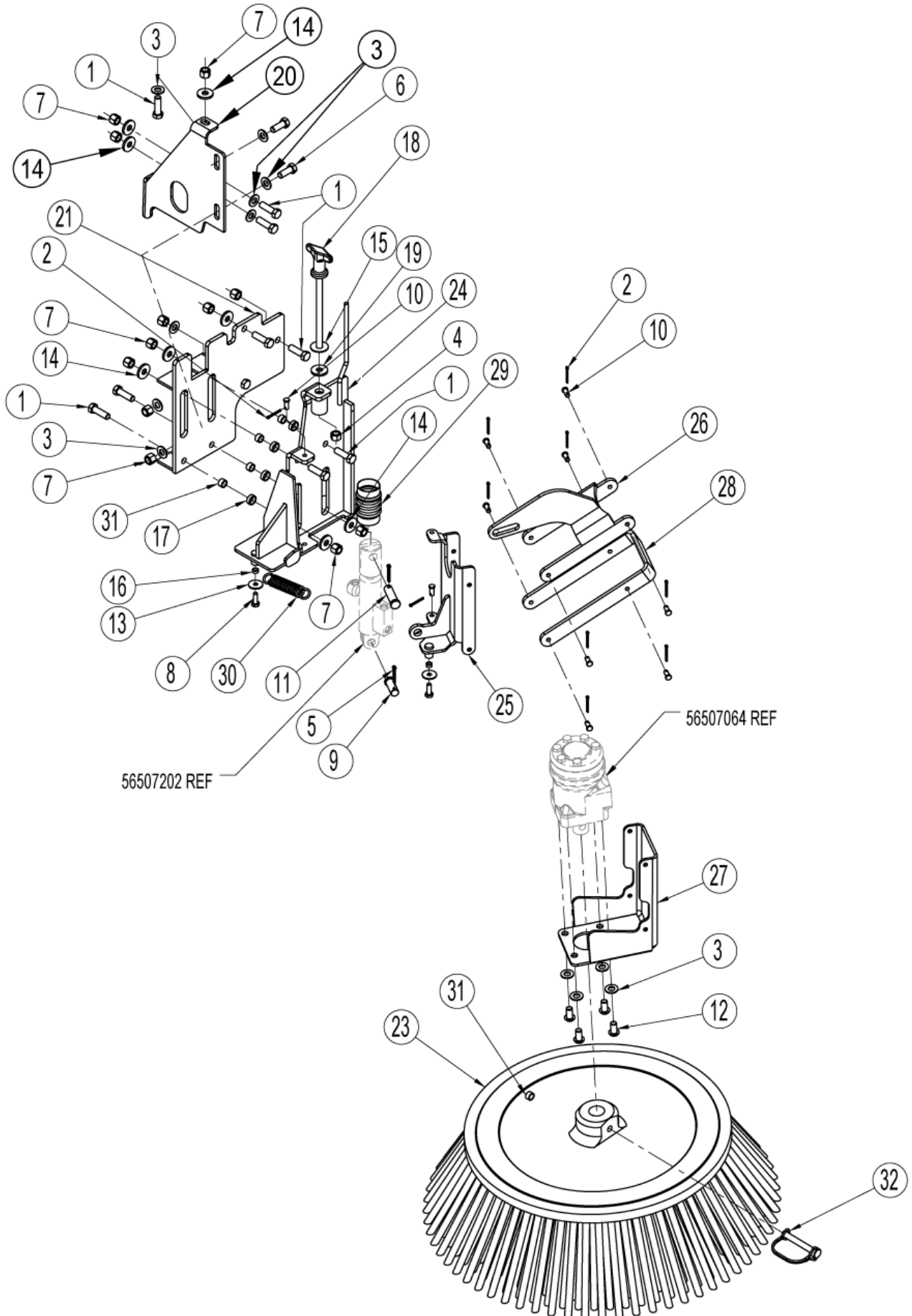
LEFT HAND SIDE BROOM OPTION-2

SW8000

05-04-2015

Part List ID
SW8000102

118



LEFT HAND SIDE BROOM OPTION-2

SW8000

05-04-2015

Part List ID
SW8000102

119

Pos	Part no.	Qty	Description
1	56001858	10	SCR HEX 3/8 16 X 1.25
2	56003530	10	PIN COT HAIR .059 X .375
3	56002063	9	WSH FLT SAE 3/8
4	56002123	1	NUT HEX MACHINE 3/8 16
5	56003120	2	PIN COT HAIR.093XDIA .25 .50
6	56002663	2	SCR HEX 3/8-16 X 1.00
7	56002769	12	NUT HEX NYL LOC 3/8-16
8	56002948	2	SCR HEX LOC 1/4 20 X 0.75
9	56003514	1	PIN CLEVIS .500 X 1.25
10	56003727	10	PIN CLEVIS .250 X .625
11	56003728	1	PIN CLEVIS .500 X 1.75
12	56003729	4	SCR SOC HD BUT LOC 3/8-16X.75
13	56009002	2	WASHER FLAT .266X.906X.060
14	56009107	8	WSH FLT SS .378/.373X1.00X.075
15	56151068	1	WSH FLT FIBRE ..406G31E
16	56163872	2	BUSHING .25X.37X.16PM6H
17	56365030	4	BUSHING CA334D
18	56413576	1	KNOB
19	56413599	1	WASHER RUBBER
20	56507122	1	BRACKET
21	56507150	1	BRACKET
23	56508498	1	SIDE BROOM POLY 41 DEGREES
24	56507625	1	SIDE BROOM MOUNTING BRACKET
25	56507628	1	SIDE BROOM PIVOT BRACKET
26	56507629	1	SIDE BROOM LINKAGE WELDMENT
27	56507630	1	SIDE BROOM MOTOR MOUNT
28	56507633	1	SIDE BROOM LINKAGE
29	56507634	1	SIDE BROOM CYCLINDER BELLOWS
30	56507707	1	SPRING SIDE BROOM
31	56508363	4	BUSHING .377 X .49 X .30
32	56508392	1	PIN T-LOCK

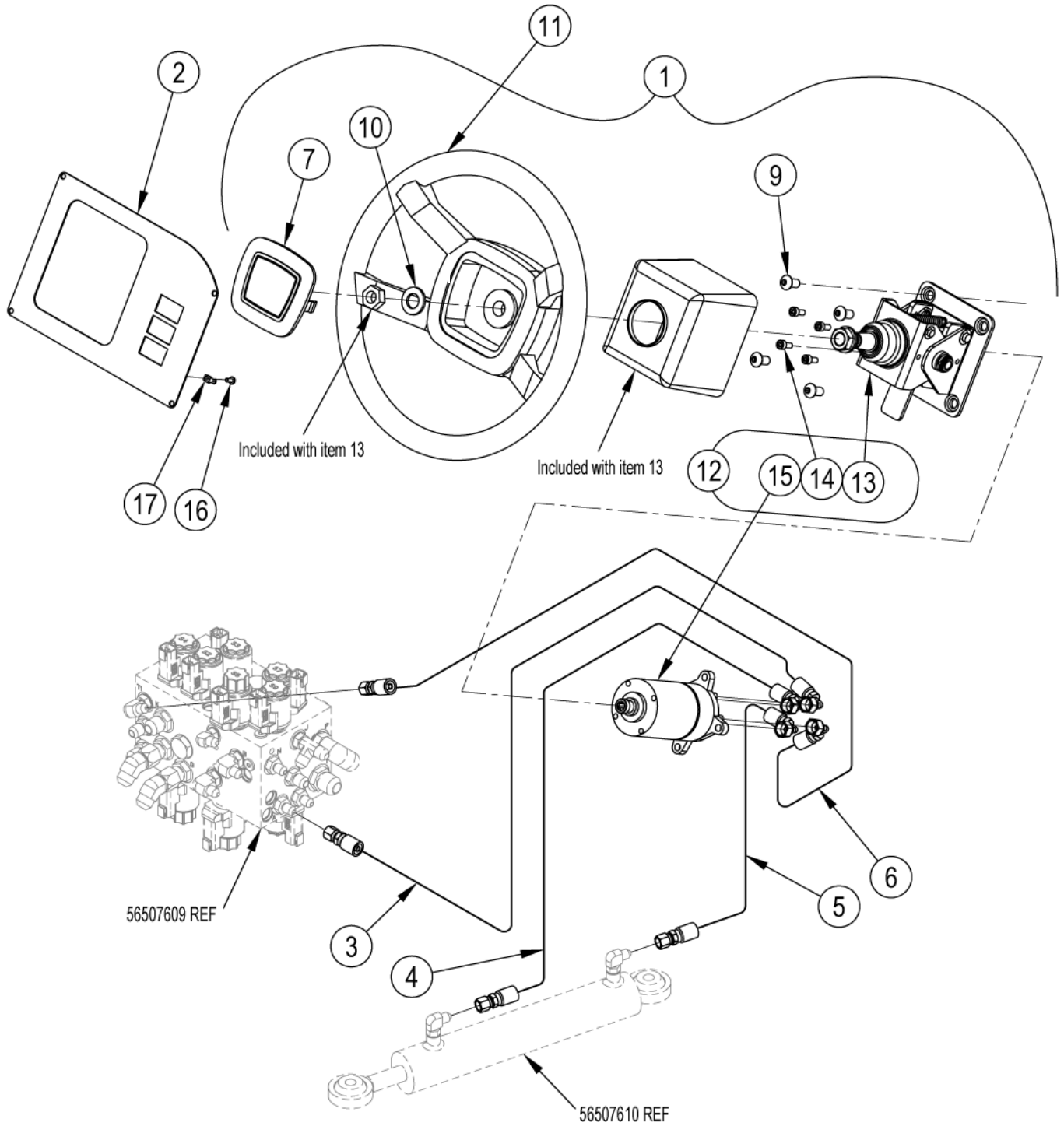
TILT STEERING OPTION

SW8000

05-04-2015

Part List ID
SW8000104

120



TILT STEERING OPTION

SW8000

05-04-2015

Part List ID
SW8000104

121

Pos	Part no.	Qty	Description	
0	56507228	1	TILT STEERING OPTION	(includes items 1-6, 16-17 / Standard on all model)
1	56507239	1	TILT STEERING ASSEMBLY	Option (includes items 7-12)
2	56107699	1	GUARD	
3	56507360	1	HOSE HYDRAULIC	
4	56507361	1	HOSE HYDRAULIC	
5	56507362	1	HOSE HYDRAULIC	
6	56507363	1	HOSE HYDRAULIC	
7	7-16-07428	1	COVER-STEERING WHEEL	
9	56003729	4	SCR SOC HD BUT LOC 3/8-16X.75	
10	56009218	1	WASHER FLAT .688 X 1.25 X 0	
11	56418460	1	STEERING WHEEL	
12	56508224	1	STEERING UNIT ASSEMBLY	(includes items 13-15)
13	7-70-05207	1	SHAFT COLUMN TILT	
14	56003425	4	SCR SOC SS M6-1X14MM	
15	56508096	1	STEERING CONTROL UNIT	
16	56001818	1	SCR PAN PHIL 8 32 X .38	
17	56508923	1	TAB-QUICK CONNECT .187 X 8	

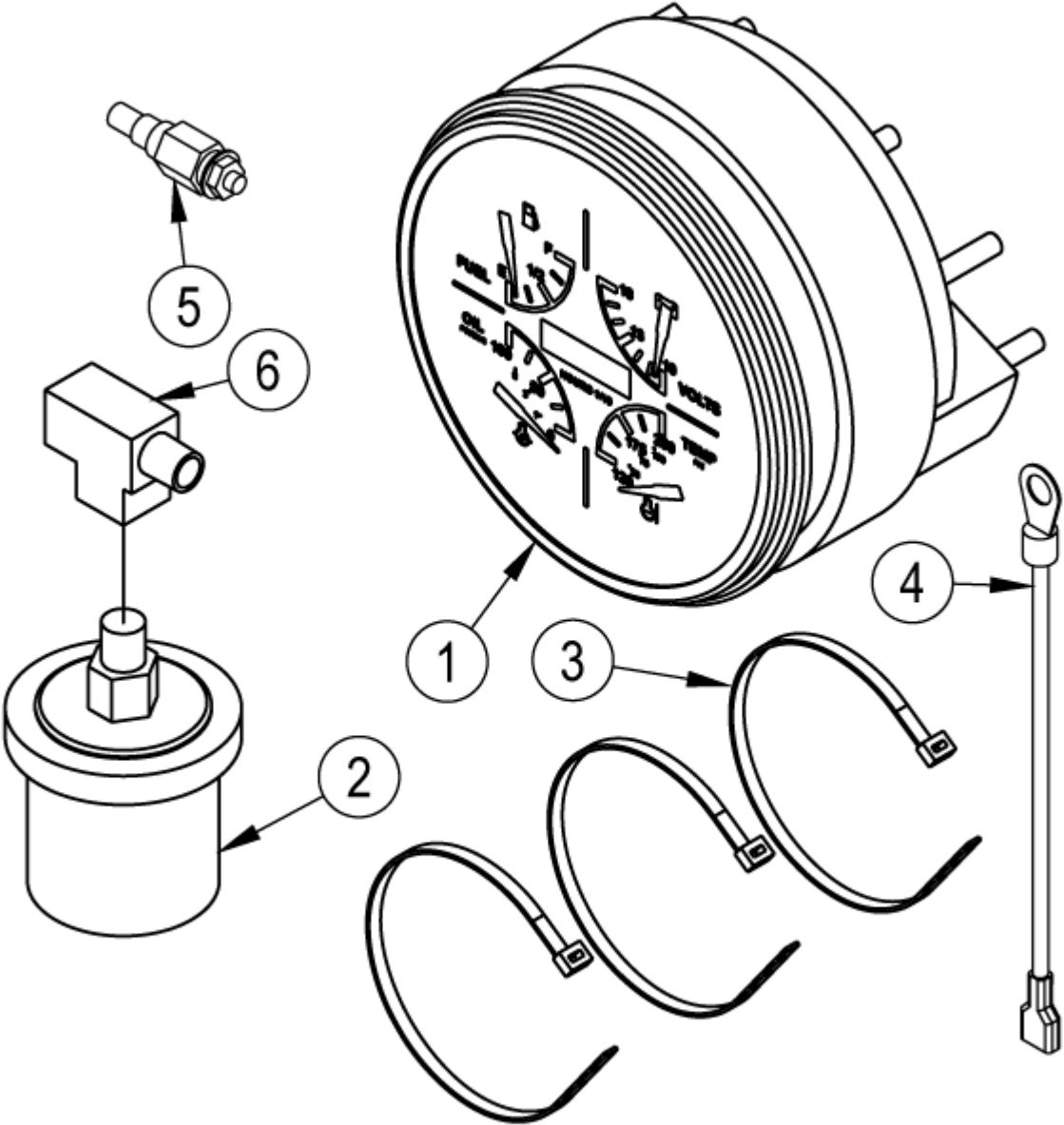
GAUGE KIT-DIESEL

SW8000

05-04-2015

Part List ID
SW8000106

122



GAUGE KIT-DIESEL

SW8000

05-04-2015

Part List ID
SW8000106

123

Pos	Part no.	Qty	Description	
0	56383885	1	KUBOTA DIESEL GAUGE KIT-BSPP	NOTE 1 / (includes items 1-6 / Standard on all Die
0	56508722	1	KUBOTA DIESEL GUAGE KIT	NOTE 2 / (includes items 1-6 / Standard on all Die
1	56304569	1	GAUGE 4 IN 1	
2	56305619	1	SENDER PRESSURE	
3	56478523	3	CABLE TIE E00549	
4	56507679	1	WIRE ASM YEL/BLK 18-11	
5	56305873	1	SENDER TEMPERATURE	NOTE 2 / (KIT 56508722)
5	56383884	1	SENDER-TEMPERATURE-BSPP	NOTE 1 / (KIT 56383885)
6	2-00-04982	1	FITTING 1/8 NPT STR	

NOTE 1: All Diesel machines built after serial number 1000053695 needing to replace the Temperature Sender 56383884 or a dealer installed Diesel Gauge Kit, use Diesel Gauge Kit - BSPP 56383885. All Diesel machines getting a first time installation of a Diesel Gauge Kit regardless of the serial number, use Diesel Gauge Kit - BSPP 56383885.

NOTE 2: All Diesel machines built before serial number 1000053696 with factory installed temperature gauge

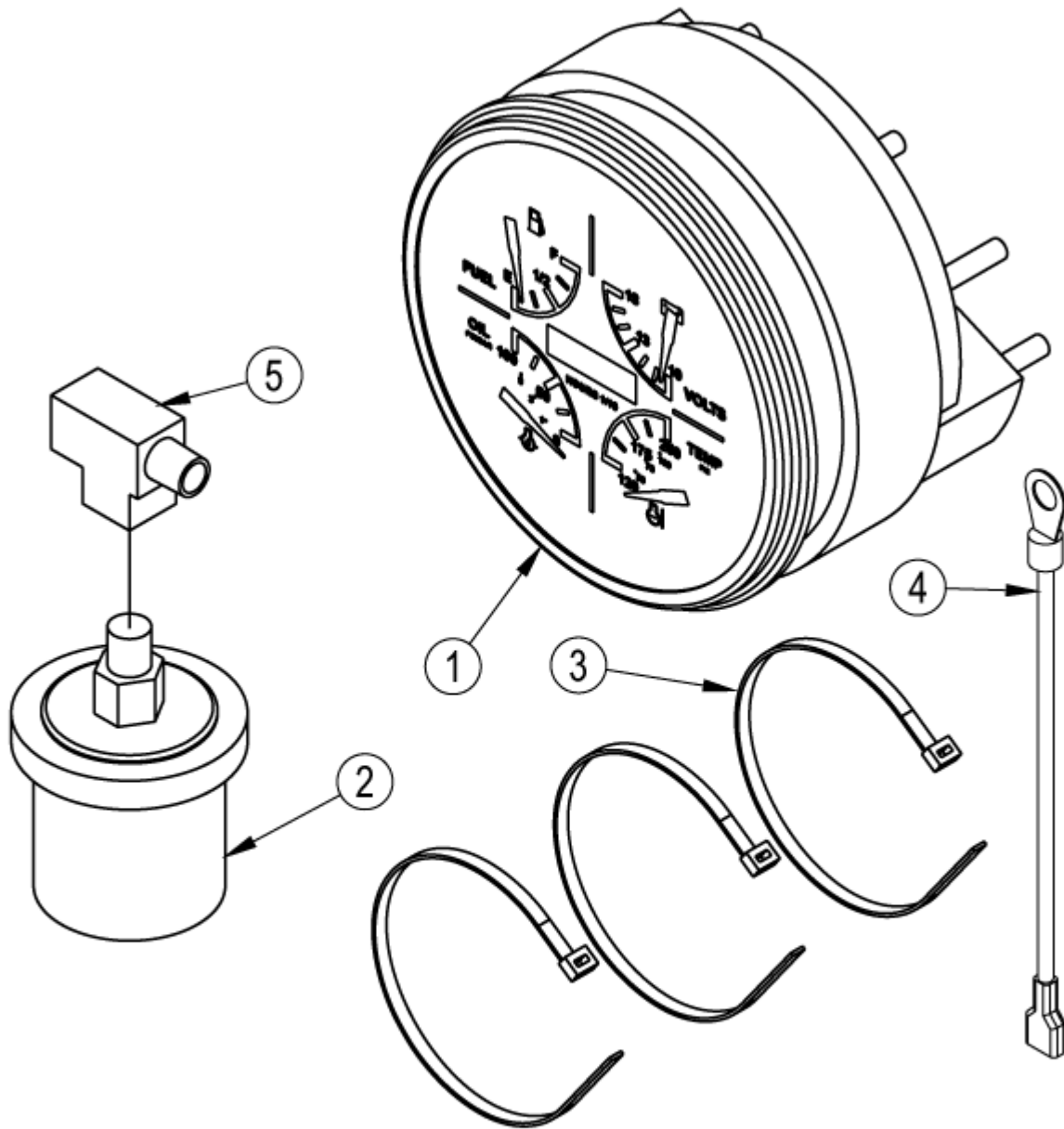
GAUGE KIT-PETROL & LPG

SW8000

05-04-2015

Part List ID
SW8000108

124



GAUGE KIT-PETROL & LPG

SW8000

05-04-2015

Part List ID
SW8000108

125

Pos	Part no.	Qty	Description	
0	56107673	1	KUBOTA LPG GAUGE KIT-4 CYL	(includes items 1-5 / Standard on all LPG models)
0	56107674	1	KUBOTA GASOLINE GAUGE KIT-4CYL	(includes items 1-5 / Standard on all Petrol model)
1	56304569	1	GAUGE 4 IN 1	(part of 56107674)
1	56304589	1	GAUGE 3 IN 1	(part of 56107673)
2	56305619	1	SENDER PRESSURE	
3	56478523	3	CABLE TIE E00549	
4	56507679	1	WIRE ASM YEL/BLK 18-11	
5	56107675	1	TEE STREET-SPECIAL	

AMBER STROBE NO OHG KIT [STANDARD ON NON C/

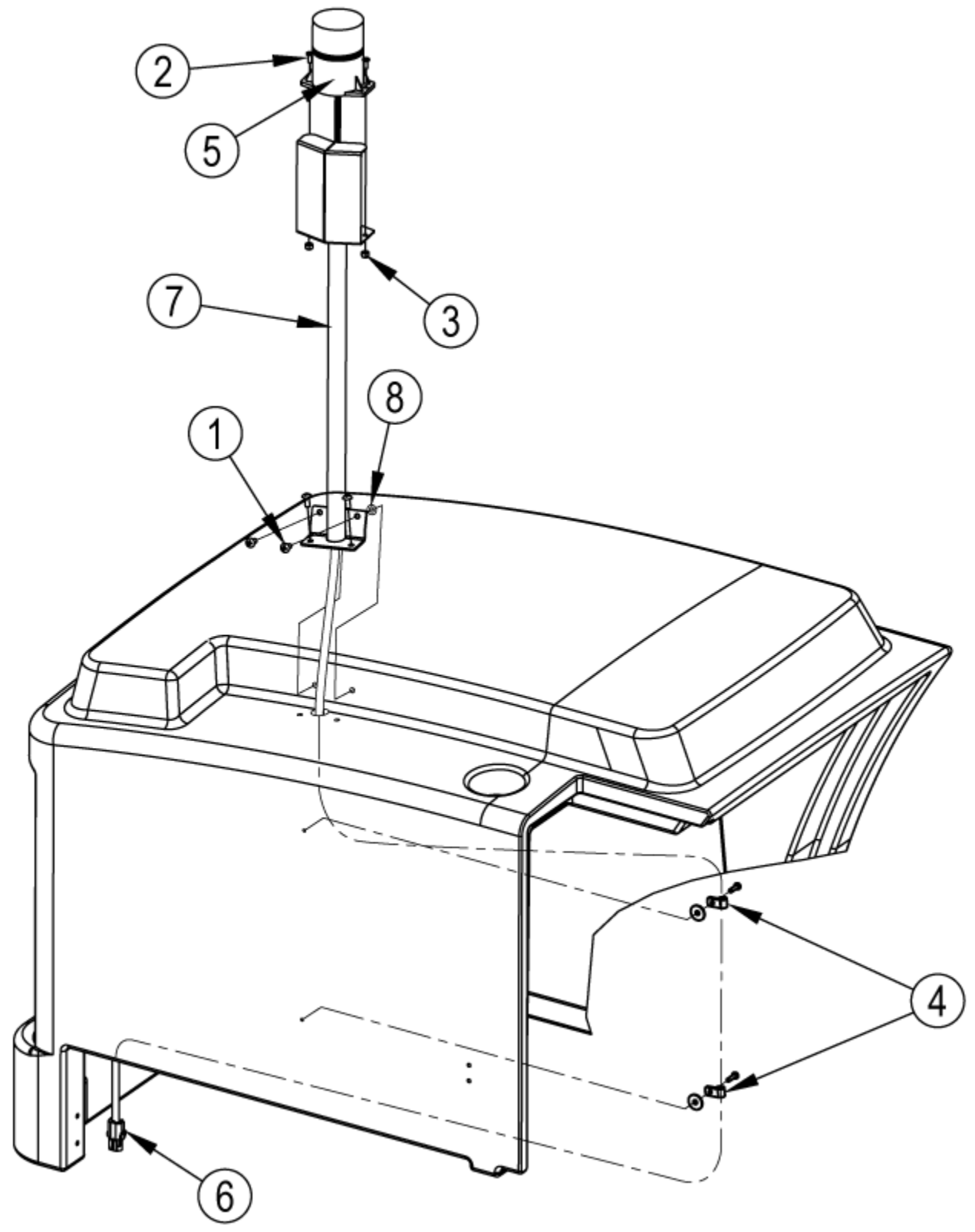
SW8000

05-04-2015

Part List ID

SW8000110

126



AMBER STROBE NO OHG KIT [STANDARD ON NON C/

SW8000

05-04-2015

Part List ID

SW8000110

127

Pos	Part no.	Qty	Description
1	56009120	6	SCR PANPHIL SS TYPEB1/4-14X.62
2	56001993	2	SCREW 10-24 X 0.5 ZINC PL
3	56002768	2	NUT HEX NYL LOC 10-24
4	56172017	4	P-CLIP E00129
5	56305223	1	BEACON WARNING
6	56508925	1	HARNESS BEACON
7	56507835	1	WELDMENT BEACON MTG
8	56002098	2	WSH FLT SAE 1/4

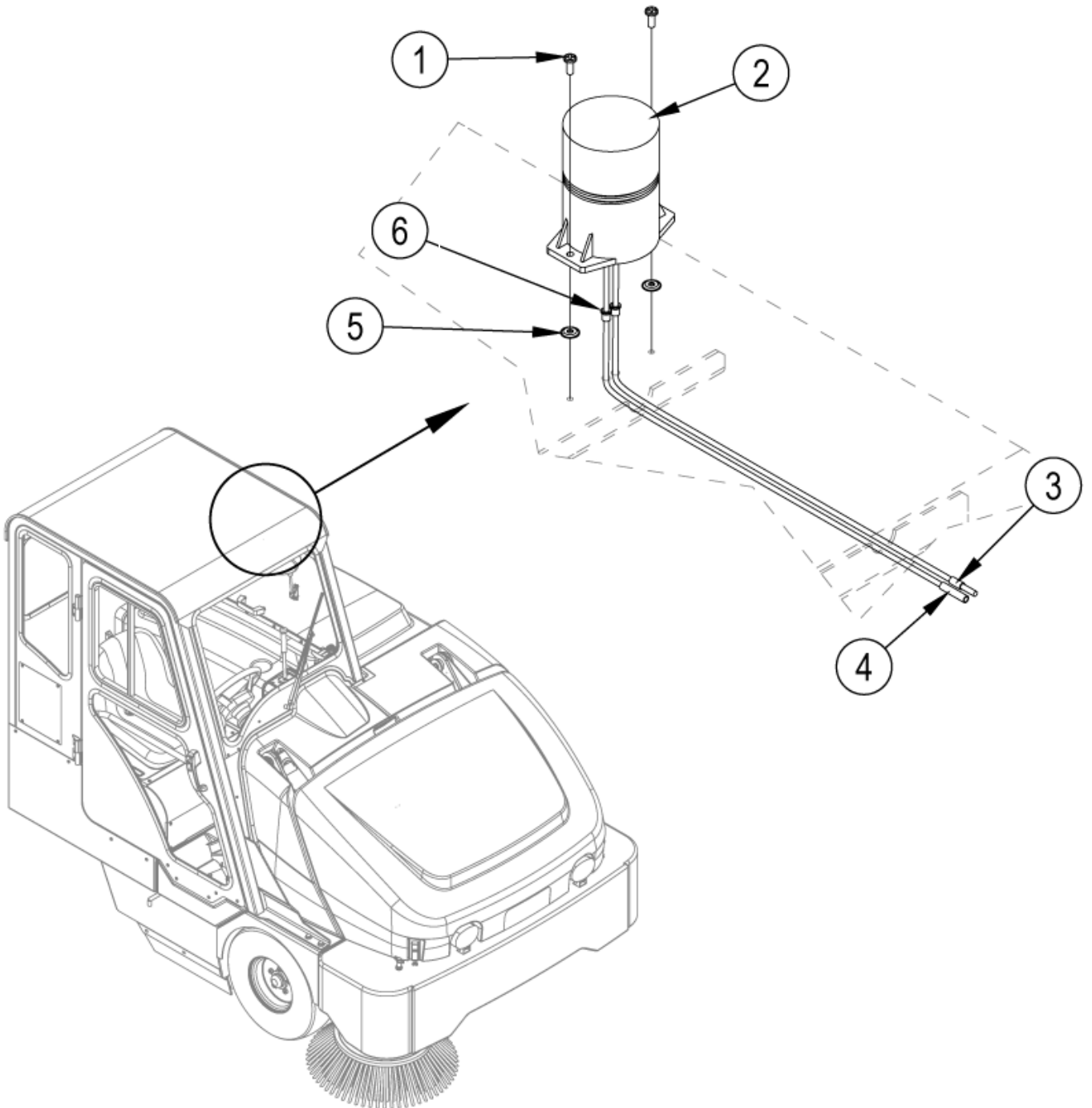
AMBER STROBE CAB [STANDARD ON CAB MOD

SW8000

05-04-2015

Part List ID
SW8000112

128



AMBER STROBE CAB [STANDARD ON CAB MOD

SW8000

05-04-2015

Part List ID

SW8000112

129

Pos	Part no.	Qty	Description
1	56009029	2	SCR PANPHIL THD FORM 10-24X.50
2	56305223	1	BEACON WARNING
3	2-00-04551	1	TERMINAL-BULLET MALE
4	2-00-04584	1	TERMINAL-BULLET FEMALE
5	2-00-01974	2	WSHR-SEALING-SST-SPCL
6	2-00-04200	2	BUSHING-SNAP

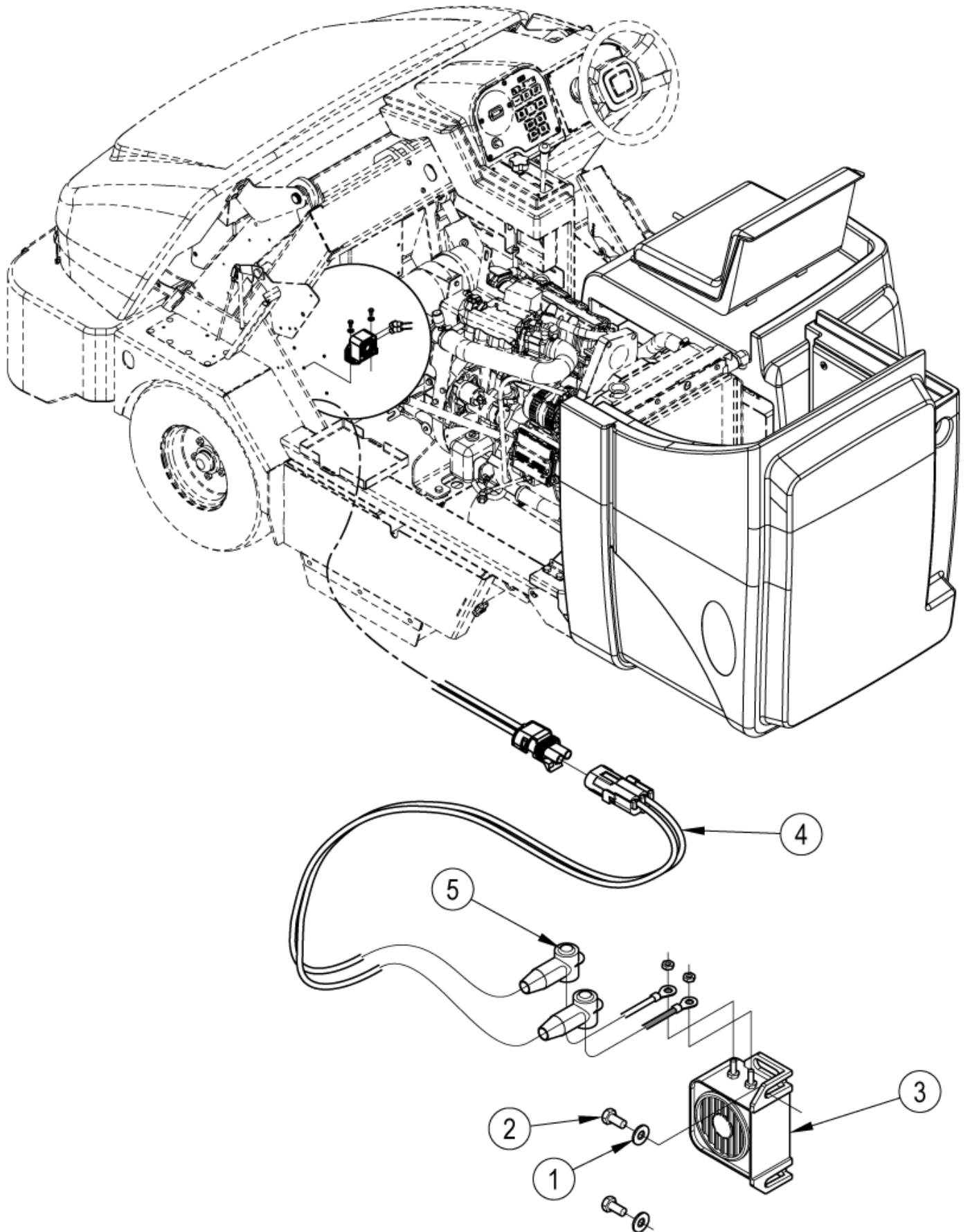
BACK UP ALARM KIT (STANDARD ON ALL MODI

SW8000

05-04-2015

Part List ID
SW8000114

130



BACK UP ALARM KIT (STANDARD ON ALL MOD

SW8000

05-04-2015

Part List ID SW8000114

131

Pos	Part no.	Qty	Description
1	56002098	2	WSH FLT SAE 1/4
2	56009033	2	SCR HEX THD FORM 1/4 20X.50
3	56409232	1	BACK-UP ALARM
4	56409495	1	WIRE ASSY. PIGTAIL
5	56409538	2	TERMINAL INSULATOR

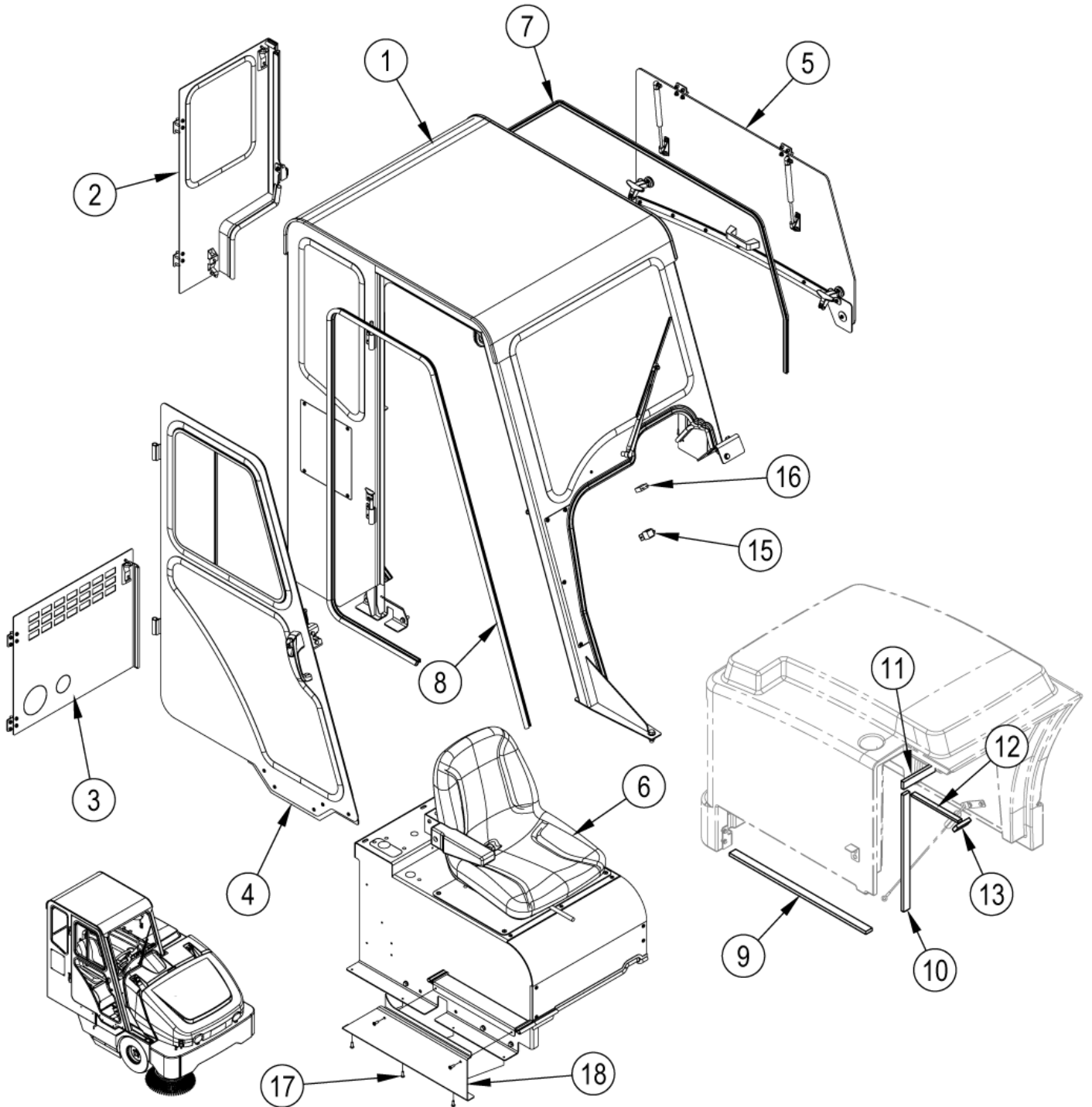
CAB SYSTEM

SW8000

05-04-2015

Part List ID
SW8000116

132



CAB SYSTEM

SW8000

05-04-2015

Part List ID
SW8000116

133

Pos	Part no.	Qty	Description
1	56508022	1	ASSY CAB FRAME
2	56508027	1	ASSY ACCESS DOOR
3	56508030	1	ASSY COVER
4	56508531	1	DOOR ASSY
5	56508536	1	ASSY WINDOW
6	56508586	1	SEAT ASSY CAB
7	56508590	1	BULB SEAL
8	56508599	1	BULB SEAL
9	56508617	1	GASKET
10	56508618	1	GASKET
11	56508619	1	GASKET
12	56508620	1	GASKET
13	56508621	1	GASKET
14	56508734	1	HARNESS CAB
15	56418387	1	RELAY SPDT
16	56413822	1	CIRCUIT BREAKER 20 AMP
17	56009126	5	SCR PANPHILTHD FORM 1/4-20X.75
18	56508864	1	PANEL COVER

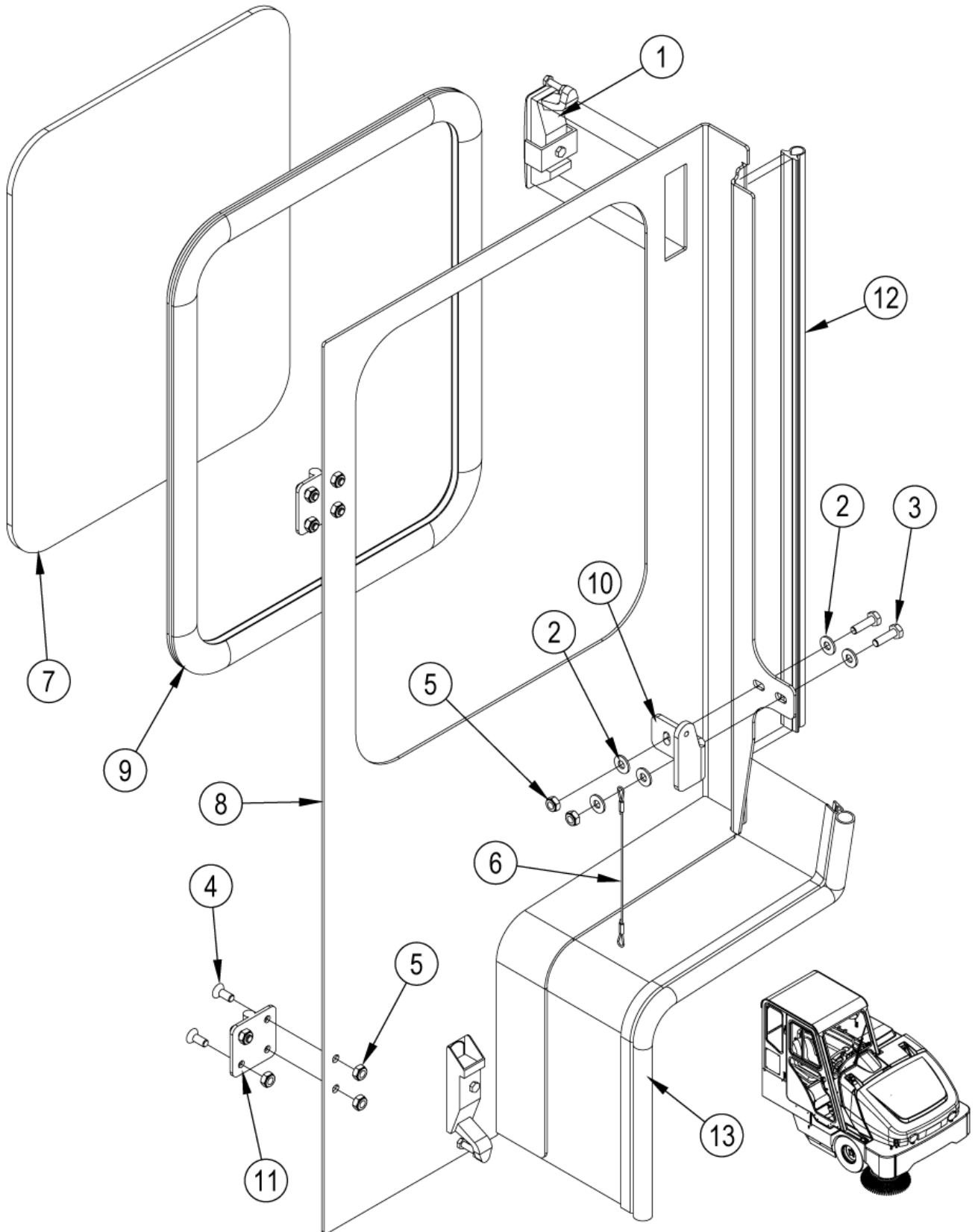
CAB SYSTEM - ACCESS DOOR ASSEMBLY

SW8000

05-04-2015

Part List ID
SW8000118

134



CAB SYSTEM - ACCESS DOOR ASSEMBLY

SW8000

05-04-2015

Part List ID
SW8000118

135

Pos	Part no.	Qty	Description
0	56508027	1	ASSY ACCESS DOOR
1	56418471	2	DOOR LATCH
2	56002098	5	WSH FLT SAE 1/4
3	56001821	2	SCR HEX 1/4 20 X .88
4	56002760	8	SCR FLT PHIL 1/4-20 X .62
5	56002840	10	NUT HEX NYL LOC-THIN 1/4-20
6	56410254	1	WIRE ROPE ASSY 6.0
7	56508045	1	WINDOW GLASS
8	56508135	1	WELDT REAR DOOR
9	56508263	1	WEATHERSTRIP WINDOW
10	56508583	1	BRKT WINDOW LATCH
11	56508589	2	HINGE DOOR
12	56508591	1	BULB SEAL
13	56508593	1	BULB SEAL

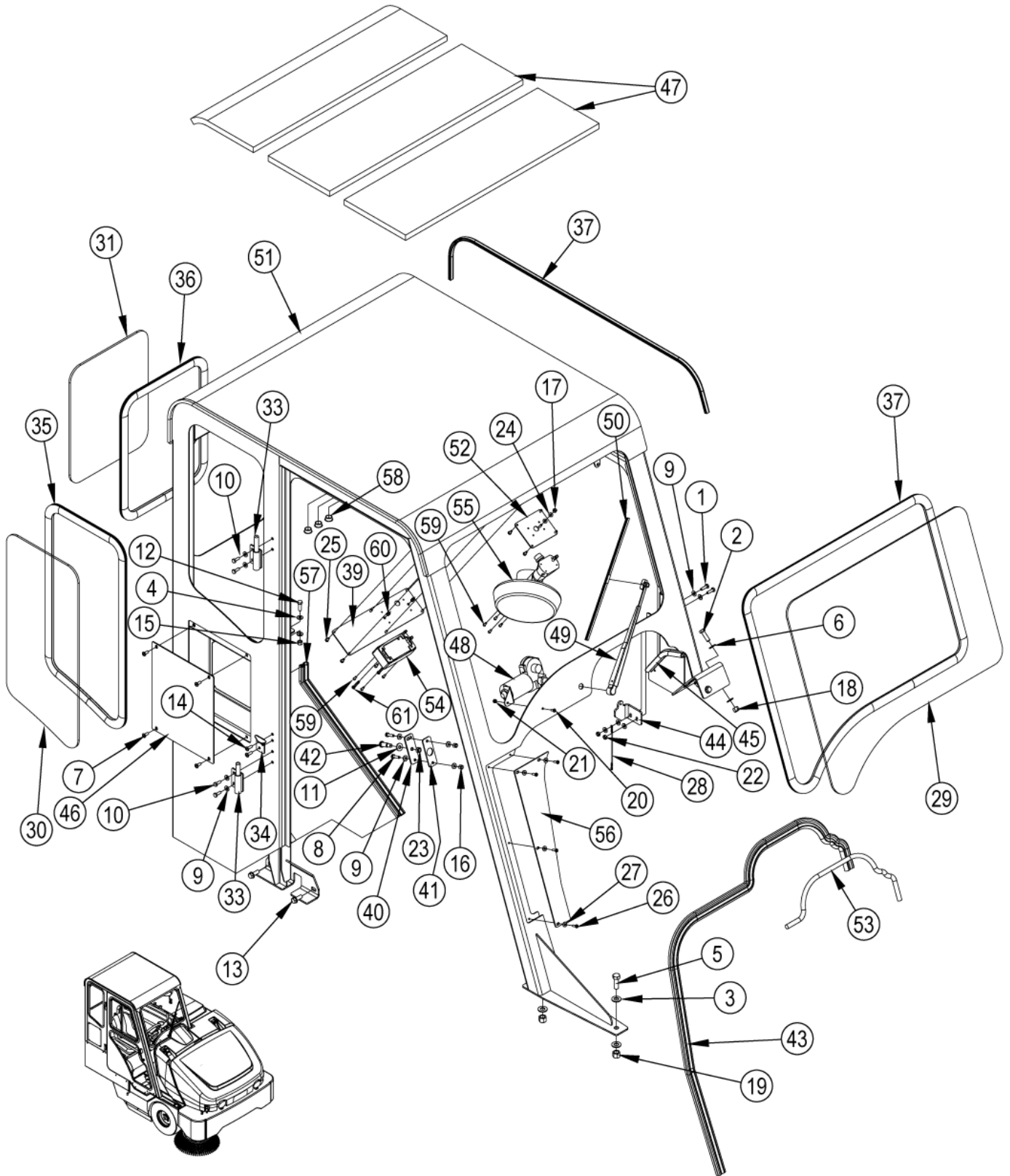
CAB SYSTEM - CAB FRAME ASSEMBLY

SW8000

05-04-2015

Part List ID
SW8000120

136



CAB SYSTEM - CAB FRAME ASSEMBLY

SW8000

05-04-2015

Part List ID
SW8000120

137

Pos	Part no.	Qty	Description
0	56508022	1	ASSY CAB FRAME
1	56001821	2	SCR HEX 1/4 20 X .88
2	56001858	3	SCR HEX 3/8 16 X 1.25
3	56001879	3	WSH FLT SAE 1/2
4	56001939	4	WSH FLT SAE 5/16
5	56001968	1	SCR HEX 1/2 13 X 1.50
6	56002063	6	WSH FLT SAE 3/8
7	56002066	4	SCR PAN PHIL 1/4-20 X .62
8	56002093	2	SCR HEX 1/4-20 X 1.00
9	56002098	13	WSH FLT SAE 1/4
10	56002155	4	SCR HEX 1/4-20 X .75
11	56002220	1	WSH FLT STD 5/16
12	56002221	2	SCR HEX 5/16-18 X 1.00
13	56002256	2	SCR HEX TYPE1 3/8-16X 1.00
14	56002507	2	SCR PAN PHIL 1/4-20 X .75
15	56002701	2	NUT HEX NYL LOC 5/16-18
16	56002708	2	NUT HEX NYL LOC 1/4-20
17	56002768	1	NUT HEX NYL LOC 10-24
18	56002769	3	NUT HEX NYL LOC 3/8-16
19	56002770	2	NUT HEX NYL LOC 1/2-13
20	56002831	1	SCR PAN PHIL-BLK 10-24 X .50
21	56002832	1	NUT HEX NYL LOC-THIN 10-24
22	56002840	2	NUT HEX NYL LOC-THIN 1/4-20
23	56002841	1	NUT HEX NYL LOC-THIN 3/8-16
24	56009011	2	WSH INT SHPRF 10
25	56009082	10	SCR PANPHILTHD FORMBLK10-24X.5
26	56009100	4	SCR PANPHILTHD BLK 10-24X.62
27	56209261	4	WASHER SEALING
28	56410254	1	WIRE ROPE ASSY 6.0
29	56508041	1	WINDSHIELD GLASS
30	56508044	1	WINDOW GLASS
31	56508045	1	WINDOW GLASS
33	56508140	2	WELDT HINGE
34	56508142	1	BRKT HINGE RETAINER
35	56508262	1	WEATHERSTRIP WINDOW
36	56508263	1	WEATHERSTRIP WINDOW
37	56508264	1	WEATHERSTRIP WINDSHIELD
38	56508534	2	EDGING RUBBER
39	56508575	1	PLATE DOME LIGHT
40	56508578	1	PLATE LATCH PIN
41	56508579	1	SHIM LATCH PIN
42	56508580	1	PIN LATCH
43	56508581	1	GASKET CONSOLE

CAB SYSTEM - CAB FRAME ASSEMBLY

SW8000

05-04-2015

Part List ID
SW8000120

138

Pos	Part no.	Qty	Description
44	56508582	1	BRKT WINDOW LATCH
45	56508600	1	BULB SEAL
46	56508624	1	W/D FILTER COVER
47	56508628	3	HEADLINER FOAM
48	56508636	1	WIPER MOTOR
49	56508637	1	WIPER ARM
50	56508638	1	WIPER BLADE
51	56508745	1	WELDT CAB FRAME
52	56508817	1	WELDT FAN MOUNT
53	56508818	1	GASKET ROUND
54	56508819	1	ASSY DOME LIGHT
55	56508820	1	ASSY DASH FAN
56	56508831	1	WINDOW SIDE BROOM
57	56508863	1	BULB SEAL
58	56900041	3	PLUG CAP E00046
59	2-00-01081	8	SCW-T/C PHRH 8-32 X .50 ZN
60	2-00-05324	2	THREADED INSERT 8-32
61	2-00-00090	2	SCW-PH.RHM 8-32 X 1.50 ZN

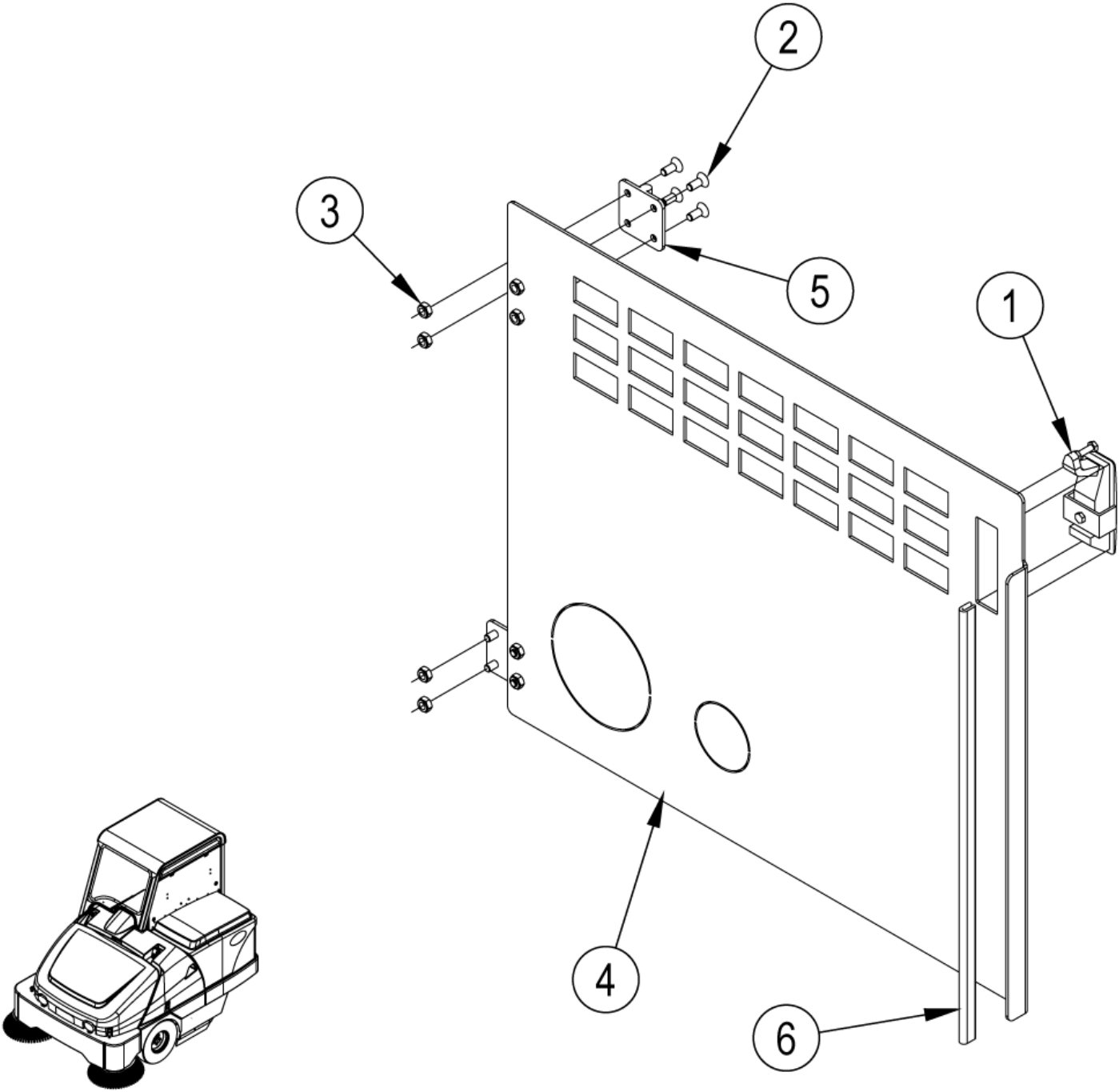
CAB SYSTEM - COVER ASSEMBLY

SW8000

05-04-2015

Part List ID
SW8000122

139



CAB SYSTEM - COVER ASSEMBLY

SW8000

05-04-2015

Part List ID
SW8000122

140

Pos	Part no.	Qty	Description
0	56508030	1	ASSY COVER
1	56418471	1	DOOR LATCH
2	56002760	8	SCR FLT PHIL 1/4-20 X .62
3	56002840	8	NUT HEX NYL LOC-THIN 1/4-20
4	56508291	1	DOOR ACCESS
5	56508589	2	HINGE DOOR
6	56508842	1	EDGING

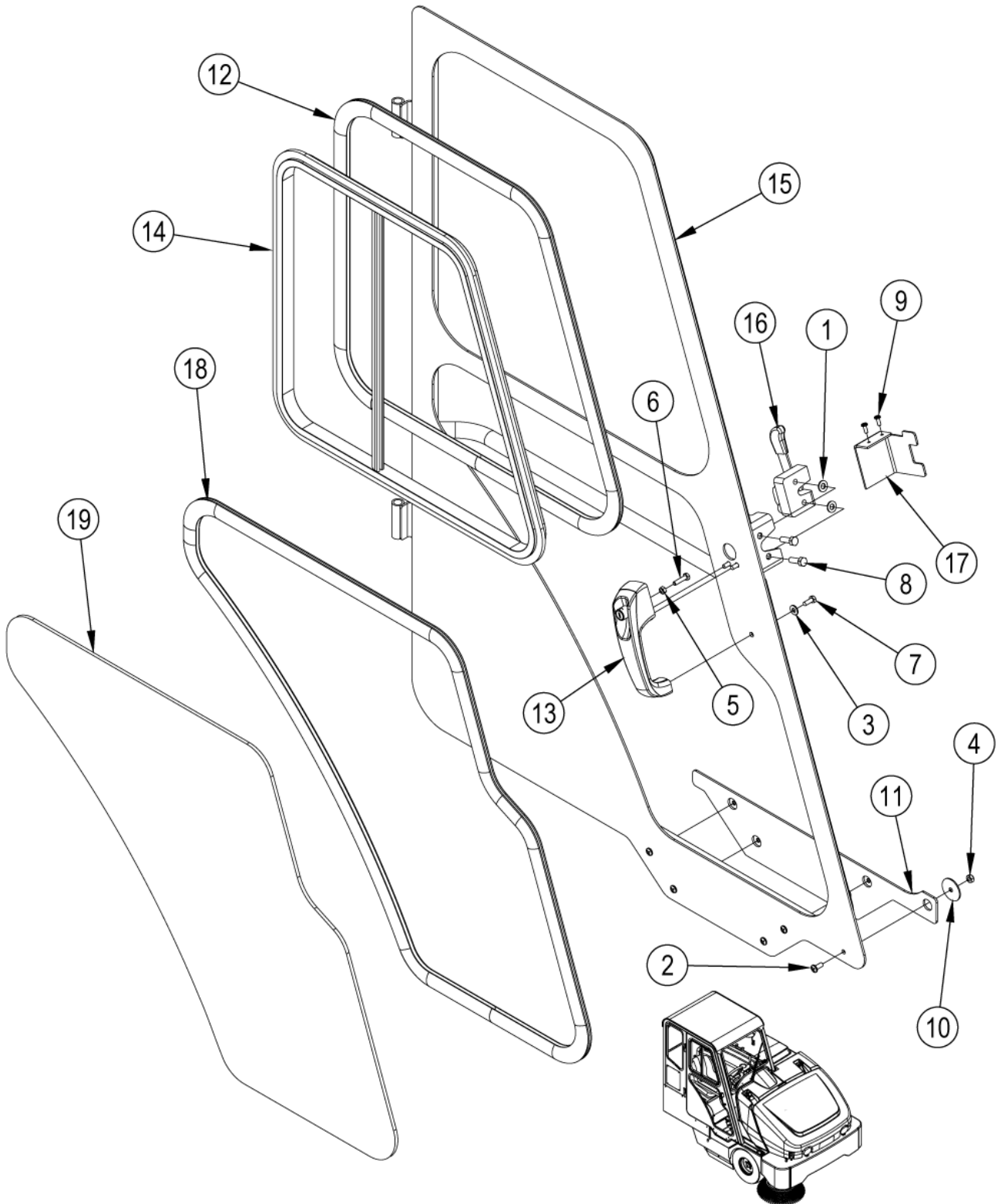
CAB SYSTEM - DOOR ASSEMBLY

SW8000

05-04-2015

Part List ID
SW8000124

141



CAB SYSTEM - DOOR ASSEMBLY

SW8000

05-04-2015

Part List ID
SW8000124

142

Pos	Part no.	Qty	Description
0	56508531	1	DOOR ASSY
1	56001939	2	WSH FLT SAE 5/16
2	56002066	5	SCR PAN PHIL 1/4-20 X .62
3	56002098	3	WSH FLT SAE 1/4
4	56002840	5	NUT HEX NYL LOC-THIN 1/4-20
5	56003350	1	NUT HEX M6
6	56003358	1	SCR HEX M6 X 25.0
7	56003441	3	SCR HEX LOC M6-1.00X16MM
8	56003477	2	SCR HX NYLOC SS M8-1.25 X 25MM
9	56009082	2	SCR PANPHILTHD FORMBLK10-24X.5
10	56009225	5	WASHER FENDER
11	56508112	1	SEAL DOOR
12	56508530	1	WEATHERSTRIP WINDOW
13	56508279	1	HANDLE DOOR
14	56508482	1	WINDOW SLIDER
15	56508518	1	FRAME DOOR
16	56508527	1	LATCH SINGLE ROTOR
17	56508528	1	COVER LATCH
18	56508532	1	WEATHERSTRIP WINDOW
19	56508533	1	WINDOW GLASS
NS	56508934	1	KEY-CAB

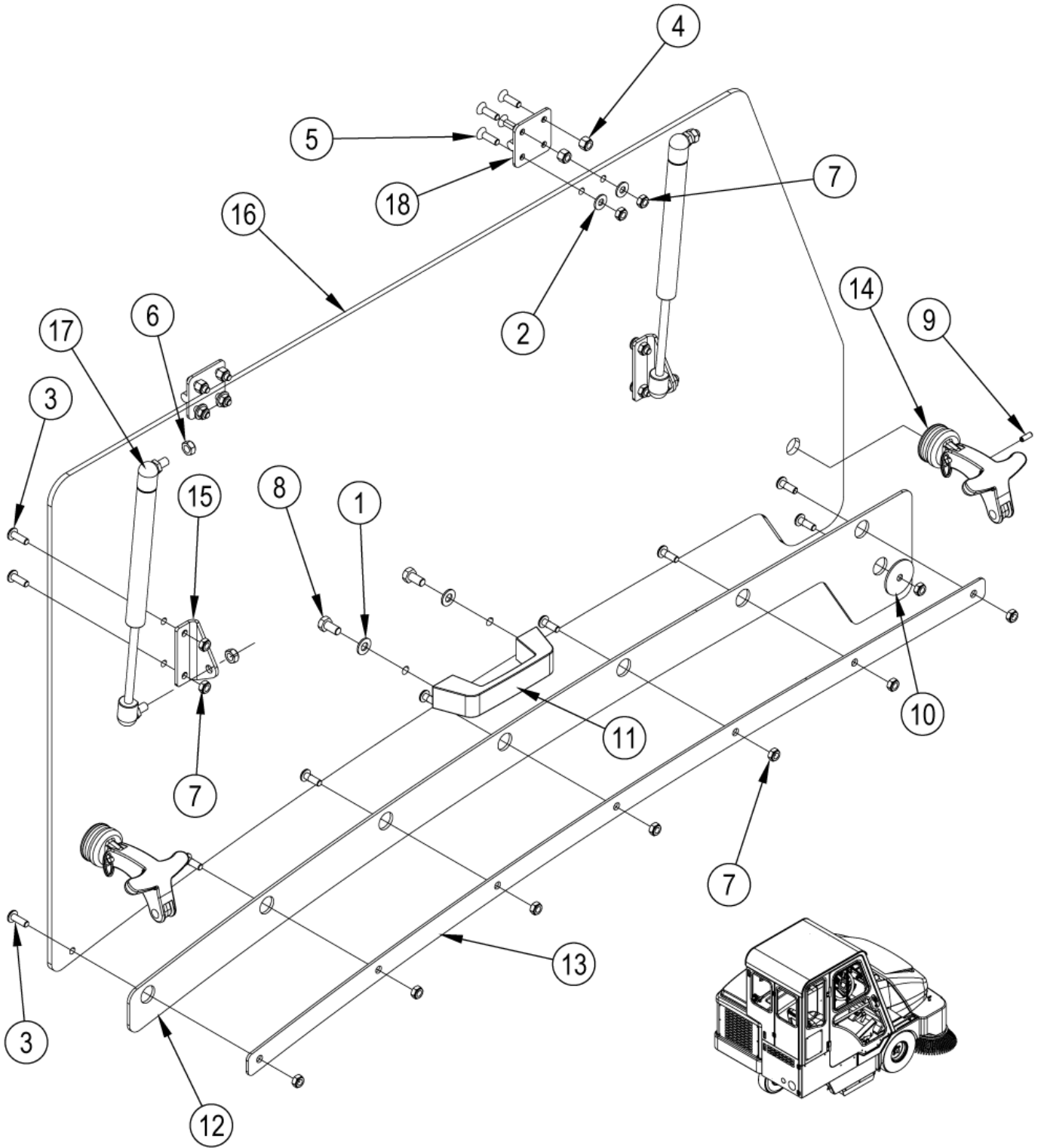
CAB SYSTEM - WINDOW ASSEMBLY

SW8000

05-04-2015

Part List ID
SW8000126

143



CAB SYSTEM - WINDOW ASSEMBLY

SW8000

05-04-2015

Part List ID
SW8000126

144

Pos	Part no.	Qty	Description
0	56508536	1	ASSY WINDOW
1	56001939	2	WSH FLT SAE 5/16
2	56002098	4	WSH FLT SAE 1/4
3	56002507	12	SCR PAN PHIL 1/4-20 X .75
4	56002708	4	NUT HEX NYL LOC 1/4-20
5	56002711	8	SCR FLT PHIL 1/4-20 X .88
6	56002826	4	NUT HEX NYL LOC-THIN 5/16-18
7	56002840	16	NUT HEX NYL LOC-THIN 1/4-20
8	56003178	2	SCR HEX THD TO HD M8-1.25X16MM
9	56003766	2	PIN SPRING .19X.50
10	56009225	1	WASHER FENDER
11	56508125	1	HANDLE WINDOW
12	56508126	1	SEAL WINDOW
13	56508132	1	CLAMP GASKET
14	56508283	2	LATCH WINDOW
15	56508284	2	BRACKET SPRING
16	56508539	1	WINDOW GLASS
17	56508584	2	GAS CYLINDER
18	56508589	2	HINGE DOOR

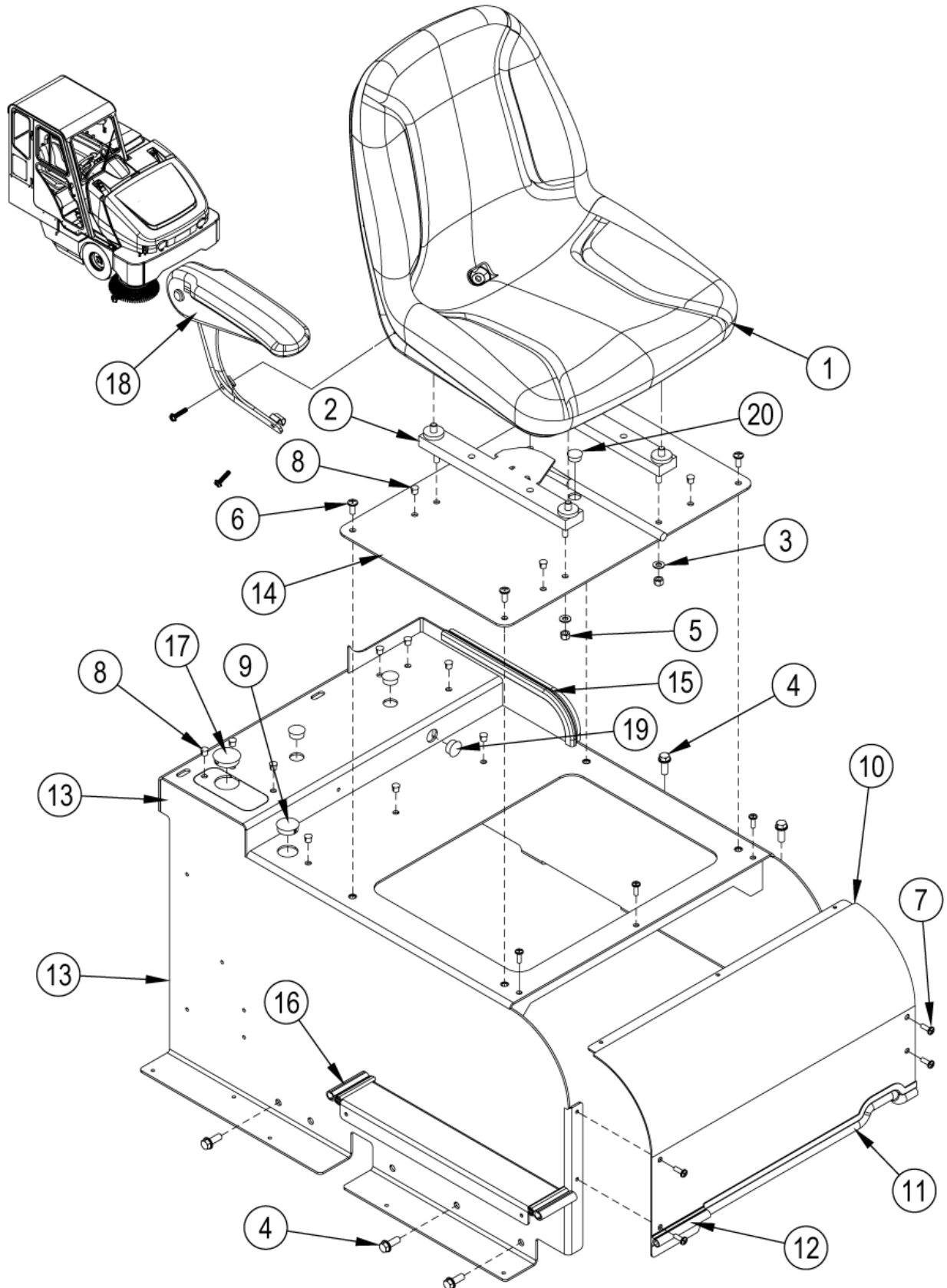
CAB SYSTEM - SEAT ASSEMBLY

SW8000

05-04-2015

Part List ID
SW8000128

145



CAB SYSTEM - SEAT ASSEMBLY

SW8000

05-04-2015

Part List ID
SW8000128

146

Pos	Part no.	Qty	Description	
0	56508586	1	SEAT ASSY CAB	
1	56383291	1	SEAT-8 IN. MOUNT	Note 1
2	7-72-05005	1	SLIDE ADJUSTER KIT	
3	56001939	4	WSH FLT SAE 5/16	
4	56002256	6	SCR HEX TYPE1 3/8-16X 1.00	
5	56002701	4	NUT HEX NYL LOC 5/16-18	
6	56002793	4	SCR PAN PHIL 5/16-18 X .75	
7	56009126	7	SCR PANPHILTHD FORM 1/4-20X.75	
8	56493149	13	PLUG CAP E00046	
9	56508250	1	PLUG CAP	
10	56508548	1	PANEL SEAT BASE	
11	56508596	1	BULB SEAL	
12	56508598	1	BULB SEAL	
13	56508851	1	WELDT SEAT BASE	
14	56508856	1	PLATE SEAT MOUNT	
15	56508857	1	BULB SEAL	
16	56508858	2	BULB SEAL	
17	56744814	1	PLUG BUTTON 1.50	
18	56383189	1	ARM REST KIT-R/H ONLY	Note 2
18	7-03-04250	1	ARM REST RH ONLY	Note 3
19	2-00-06574	3	CAP-7/8 DIA BLACK	
20	56900051	1	CONN EXT O/R -4 E00002	

NOTE 1: Seat 7-69-00008 has been replaced in production with Seat 56383291. If you need to replace Seat 7-69-00008 please order Seat Kit 56383467.

NOTE 2: Arm Rest Kit 56383189 is only for use on Seat 56383291.

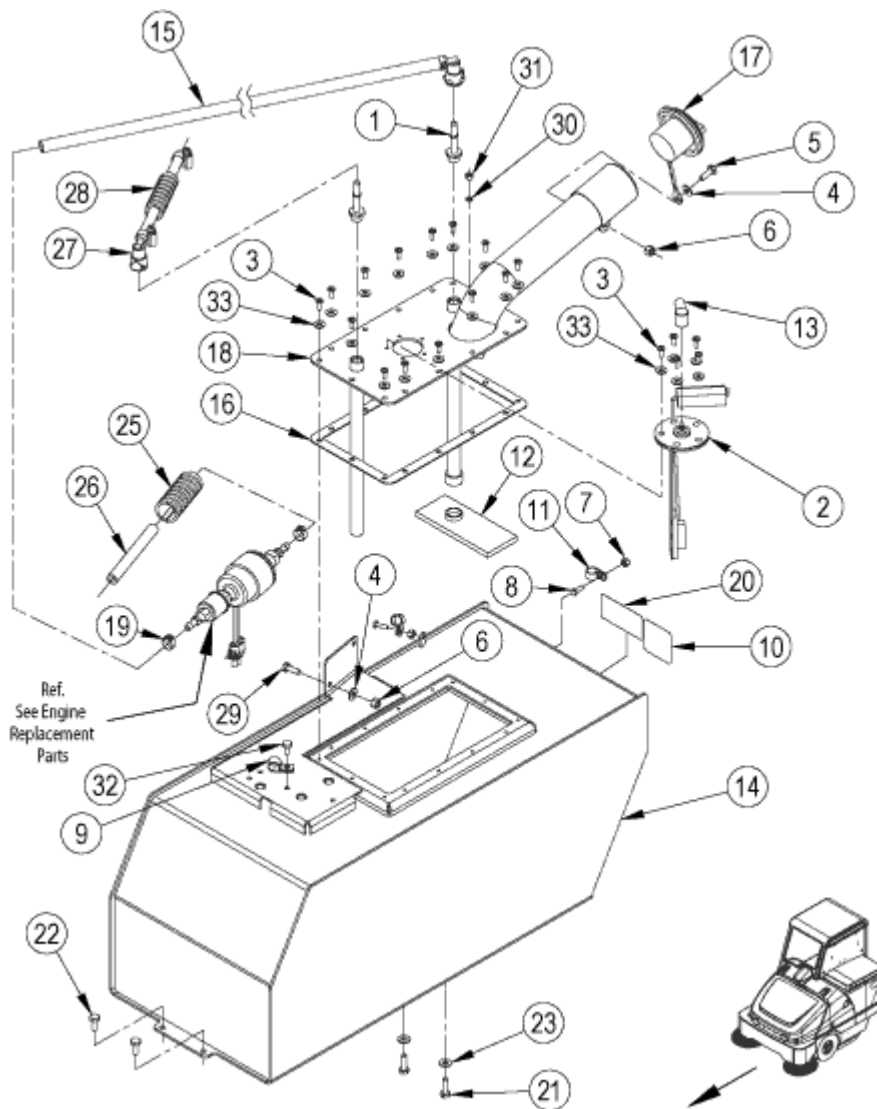
DIESEL FUEL TANK ASSEMBLY

SW8000

05-04-2015

Part List ID
SW8000130

147



DIESEL FUEL TANK ASSEMBLY

SW8000

05-04-2015

Part List ID
SW8000130

148

Pos	Part no.	Qty	Description
0	56508463	1	TANK DIESEL ASSEMBLY
1	7-11-04083	2	FITTING -6 STOR-5/16 SAE J2044
2	56478358	1	SENDER FUEL LEVEL RE437A
3	56001993	19	SCREW 10-24 X 0.5 ZINC PL
4	56002098	1	WSH FLT SAE 1/4
5	56002155	1	SCR HEX 1/4-20 X .75
6	56002708	1	NUT HEX NYL LOC 1/4-20
7	56002768	2	NUT HEX NYL LOC 10-24
8	56002829	2	SCR HEX 10-24 X .62
9	56003603	1	SCR PAN PHILTHDFORM 1/4-20X.38
10	56025454	1	DECAL DIESEL FUEL
11	56056903	2	CLAMP LOOP E00129
12	56419307	1	GASOLINE STRAINER-30 MICRON
13	56492305	1	BOOT
14	56507946	1	TANK FUEL WELDMENT
15	56507957	1	HOSE ASSY
16	56508349	1	GASKET COVER
17	56508354	1	FUEL CAP
18	56508464	1	COVER PLATE WELDMENT
19	56508515	2	CLAMP
20	56109404	1	DECAL-LOW SULFUR DIESEL
21	56001821	2	SCR HEX 1/4 20 X .88
22	56009033	2	SCR HEX THD FORM 1/4 20X.50
23	56002098	2	WSH FLT SAE 1/4
25	56508357	1	CONDUIT
26	56508358	1	HOSE FUEL LINE
27	56508646	1	HOSE ASSY
28	56508654	1	CONDUIT
29	2-00-00221	1	SCW-HHC .25-20 X .75 GR 8 ZN
30	2-00-00506	1	LK WASH INT TOOTH 8 DIA SCREW
31	56002808	1	NUT HEX NYL LOC 8-32
32	56009033	1	SCR HEX THD FORM 1/4 20X.50
33	56209261	19	WASHER SEALING

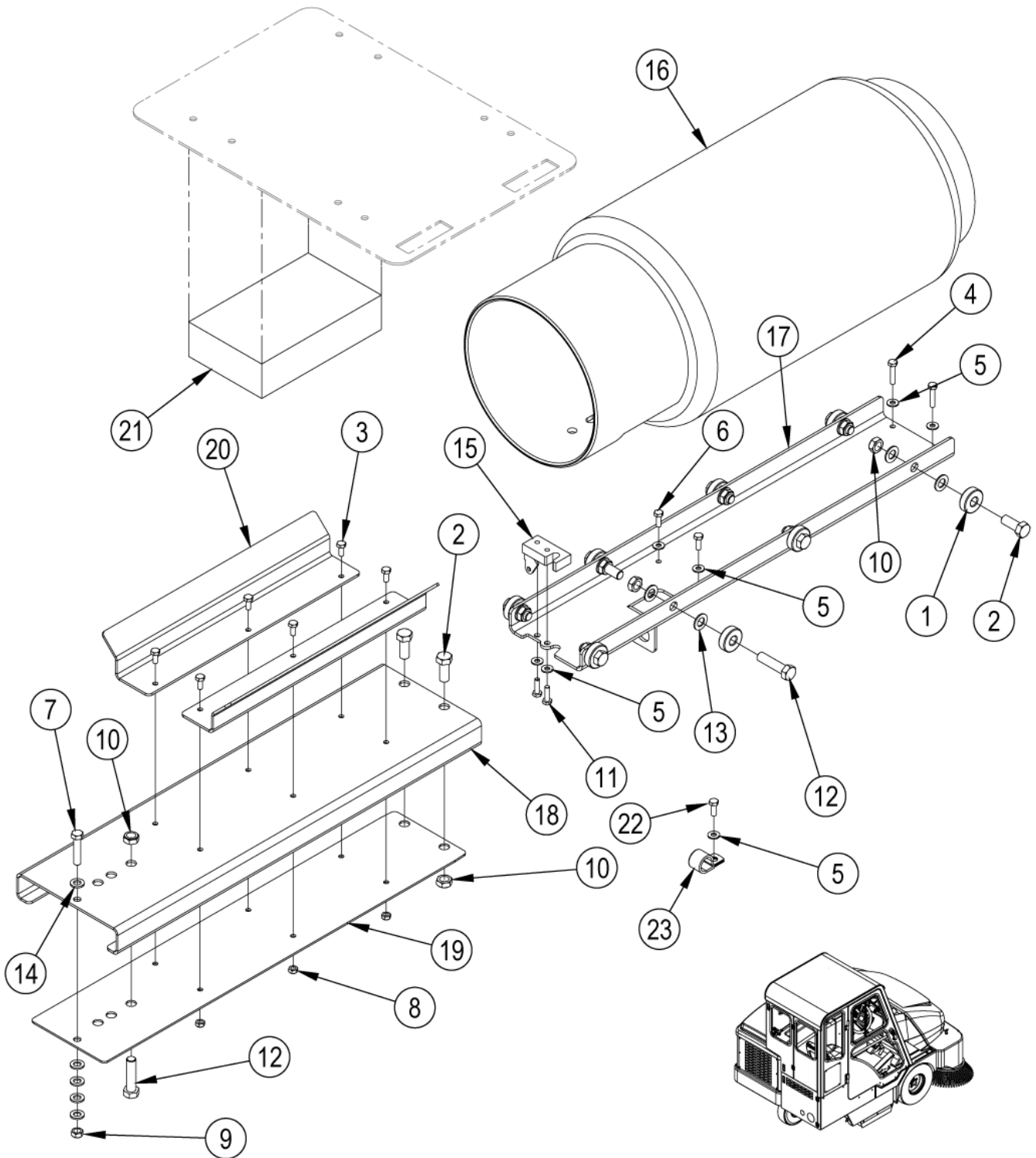
LPG FUEL TANK ASSEMBLY

SW8000

05-04-2015

Part List ID
SW8000132

149



LPG FUEL TANK ASSEMBLY

SW8000

05-04-2015

Part List ID
SW8000132

150

Pos	Part no.	Qty	Description
0	56508609	1	ROLLOUT LP TANK
1	2-00-03306	8	BRG SCHATZ-BR-9921 MAX RADIAL
2	56001831	8	SCR HEX 1/2 13 X 1.25
3	56001836	6	SCR HEX 1/4 20 X .62
4	56002047	2	SCR HEX THD/HD 1/4 20 X 1.25
5	56002098	7	WSH FLT SAE 1/4
6	56002155	2	SCR HEX 1/4-20 X .75
7	56002684	1	SCR HEX 3/8-16 X 1.75
8	56002840	6	NUT HEX NYL LOC-THIN 1/4-20
9	56002841	1	NUT HEX NYL LOC-THIN 3/8-16
10	56002843	11	NUT HEX NYL LOC-THIN 1/2-13
11	56002960	2	SCR HEX LOC 1/4 20 X .88
12	56003740	3	SCR HEX THD TO HD 1/2-13X2.00
13	56009017	16	WSH FLT HDN .516X.938X.075
14	56009214	5	WSH FLT .406X.750X.090
15	56413802	1	LATCH RH
16	56456590	1	L.P. TANK
17	56508610	1	BRKT TANK SIDE
18	56508611	1	BRKT TANK SIDE
19	56508612	1	PLATE TANK SIDE
20	56508613	2	BRKT LP TANK
21	56508824	1	FOAM LP TANK-CAB
22	56009018	1	SCR HEX THD FORM 1/4-20X .75
23	56496276	1	CLAMP HOSE SUPPORT

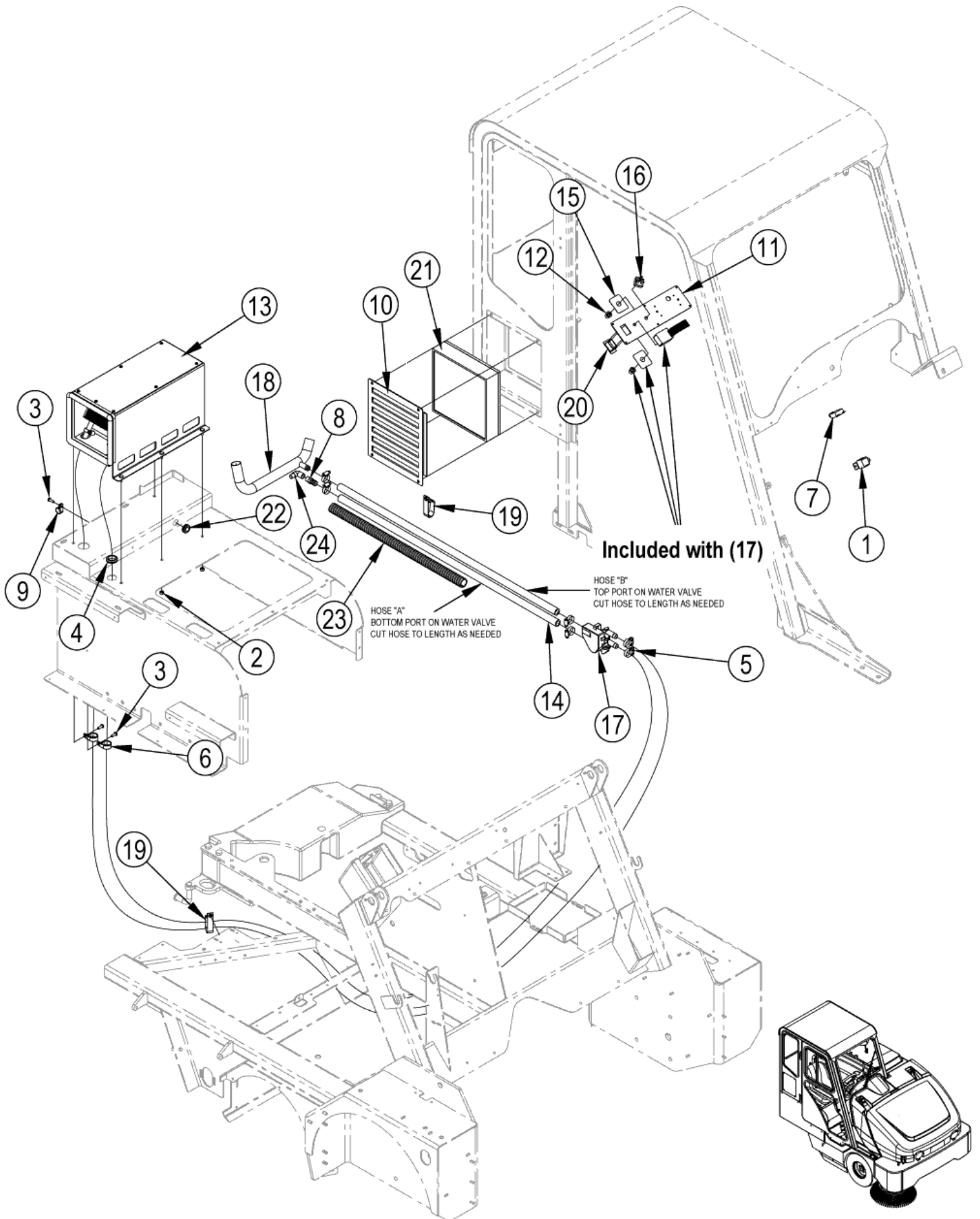
CAB HEATER-PRESSURIZER OPTION

SW8000

05-04-2015

Part List ID
SW8000134

151



CAB HEATER-PRESSURIZER OPTION

SW8000

05-04-2015

Part List ID
SW8000134

152

Pos	Part no.	Qty	Description	
1	56418387	1	RELAY SPDT	
2	56002708	5	NUT HEX NYL LOC 1/4-20	
3	56009126	3	SCR PANPHILTHD FORM 1/4-20X.75	
4	56055434	1	GROMMET E00059	
5	56112771	6	CLAMP HOSE SAE 10 E00047	
6	56410223	2	CLAMP P 56E00623	
7	56413822	1	CIRCUIT BREAKER 20 AMP	
8	56456436	1	BARB HOSE E00039	
9	56486112	1	CLAMP P	
10	56508473	1	COVER CAB FILTER	
11	56508777	1	PLATE OVERHEAD CONTROLS	
12	56508778	1	KNOB CONTROL	
13	56508779	1	ASSY HEATER AIR BOX	
14	56508782	2	HOSE HEATER	
15	56508787	1	DECAL CAB BLOWER	
16	56508794	1	SWITCH 3-SPEED	
17	56508823	1	ASSY HEATER CONTROL	
18	56508833	1	TUBE COOLANT	
19	2-00-05253	2	CLAMP	
20	2-00-05758	1	MTG PANEL PLUG VHP	
21	8-24-04141	1	FILTER - PRESSURIZER	
22	2-00-03878	1	GROM-RUB	
23	56419654	1	CONDUIT	Note 1
24	56900021	1	ELBOW STR 90 DEG. E00031	Note 1

NOTE 1: Gasoline/Petrol and LPG models only.

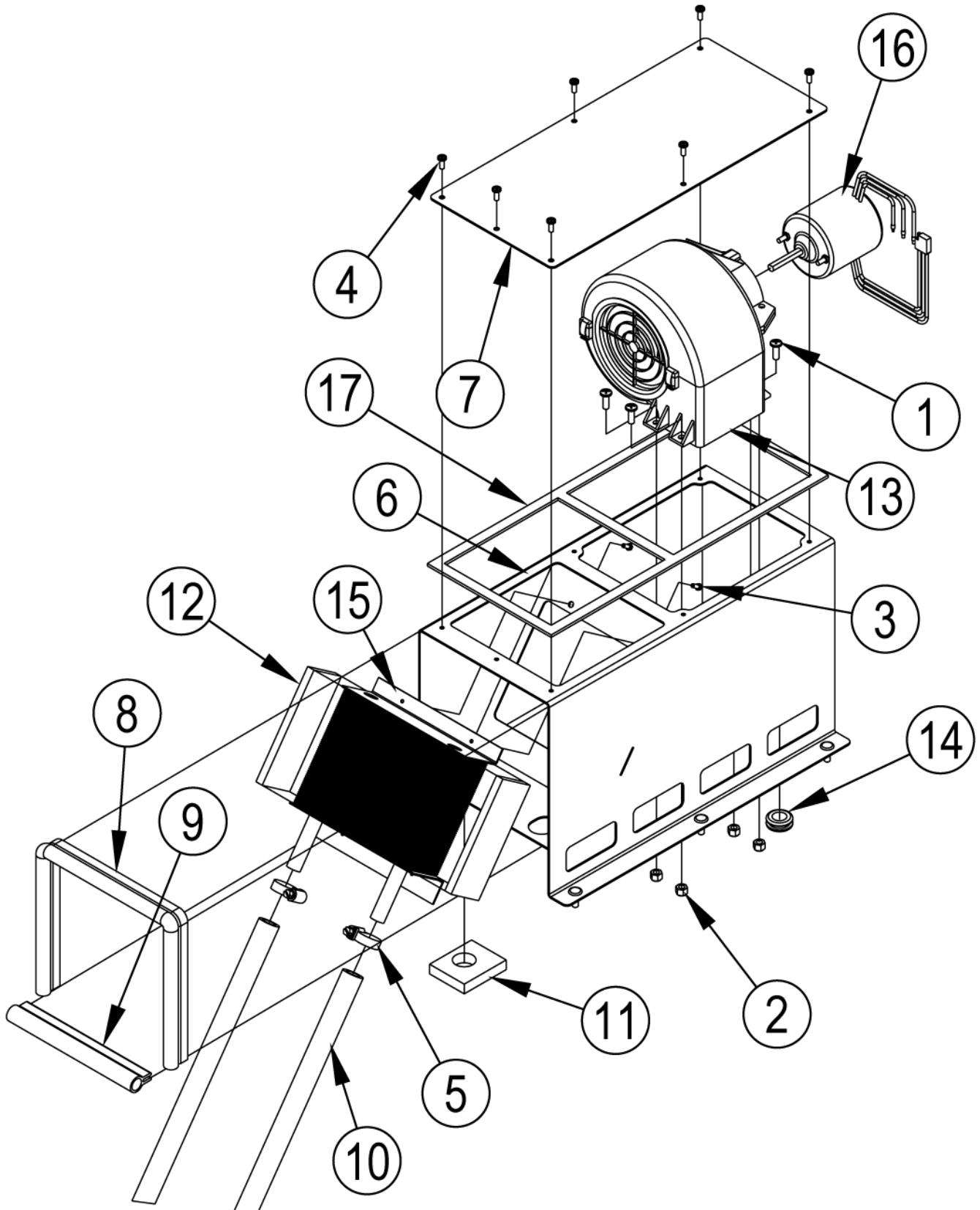
CAB HEATER-PRESSURIZER OPTION 2

SW8000

05-04-2015

Part List ID
SW8000136

153



CAB HEATER-PRESSURIZER OPTION 2

SW8000

05-04-2015

Part List ID
SW8000136

154

Pos	Part no.	Qty	Description
0	56508779	1	ASSY HEATER AIR BOX
1	56002507	4	SCR PAN PHIL 1/4-20 X .75
2	56002708	4	NUT HEX NYL LOC 1/4-20
3	56009075	2	SCR HEX THD FORM 8-32X.38
4	56009082	7	SCR PANPHILTHD FORMBLK10-24X.5
5	56112771	2	CLAMP HOSE SAE 10 E00047
6	56508475	1	WELDT HEATER AIR BOX
7	56508480	1	COVER AIR BOX
8	56508656	1	BULB SEAL
9	56508657	1	BULB SEAL
10	56508781	2	HOSE HEATER
11	56508783	1	FOAM HEATER HOSE GASKET
12	56508784	2	FOAM HEATER CORE
13	8-23-00015	1	BLOWER ASSY
14	2-00-03878	1	GROM-RUB
15	8-62-01015	1	HEATER CORE
16	0882-055	1	MOTOR
17	3-73-00056	1	SEAL SPONGE ADHESIVE

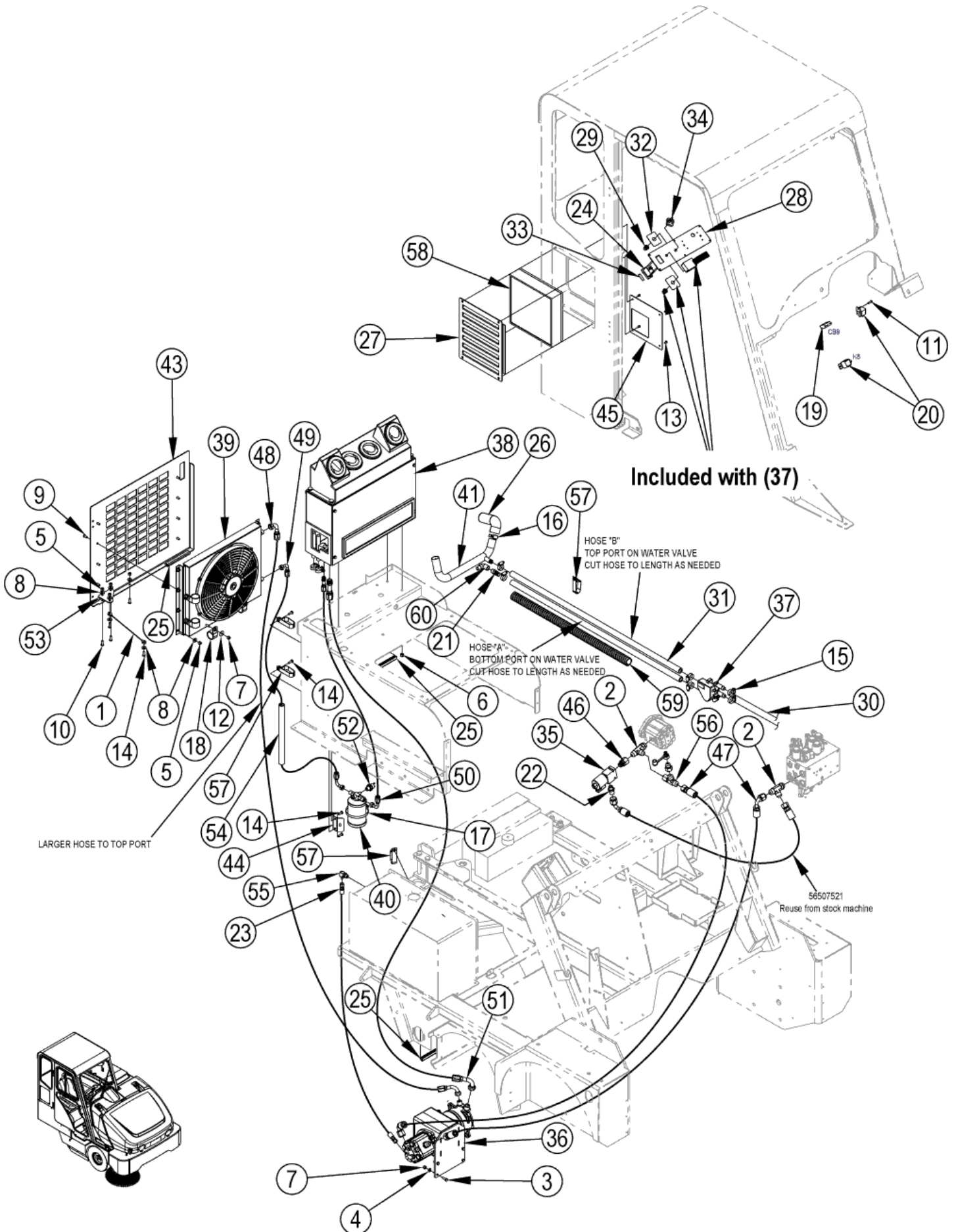
CAB HEATER-PRESSURIZER AND AC OPTIOI

SW8000

05-04-2015

Part List ID
SW8000138

155



CAB HEATER-PRESSURIZER AND AC OPTIO

SW8000

05-04-2015

Part List ID
SW8000138

156

Pos	Part no.	Qty	Description
1	56325240	1	WIRE ROPE ASSY 10.0HC366C
2	56900205	2	TEE RUN O/R 10 E00005
3	56001821	4	SCR HEX 1/4 20 X .88
4	56002098	4	WSH FLT SAE 1/4
5	56002491	12	NUT HEX NYL LOC SS 1/4-20
6	56002701	4	NUT HEX NYL LOC 5/16-18
7	56002708	8	NUT HEX NYL LOC 1/4-20
8	56002914	14	WSH FLT STD SS 1/4
9	56002989	8	SCR PAN PHIL SS 1/4-20 X .62
10	56003087	4	SCR PAN PHIL SS 1/4-20X .88
11	56003091	1	SCR PHIL PLASTITE 10-14 X .75
12	56009002	4	WASHER FLAT .266X.906X.060
13	56009030	4	SCR PAN PHIL THD FOM 10-24X.38
14	56009126	5	SCR PANPHILTHD FORM 1/4-20X.75
15	56112771	8	CLAMP HOSE SAE 10 E00047
16	56131601	1	CLAMP HOSE SAE 16 E00047
17	56352829	1	CLAMP HOSE SAE 52 E00047
18	56409463	4	CLAMP 1.25 HOSE SUPPORT
19	56413822	1	CIRCUIT BREAKER 20 AMP
20	56418387	2	RELAY SPDT
21	56456436	1	BARB HOSE E00039
22	56488612	1	CONNECTOR ST. THD. E00001
23	56507539	1	HOSE HYDRAULIC
24	56507889	1	SWITCH SPDT ROCKER
25	56507905	3	TRIM EDGE
26		1	NOTE COMMENT Hose, Lower Radiator
27	56508473	1	COVER CAB FILTER
28	56508777	1	PLATE OVERHEAD CONTROLS
29	56508778	1	KNOB CONTROL
30	56508781	2	HOSE HEATER
31	56508782	2	HOSE HEATER
32	56508787	1	DECAL CAB BLOWER
33	56508788	1	DECAL CAB A/C
34	56508794	1	SWITCH 3-SPEED
35	56508798	1	VALVE HYDRAULIC
36	56508806	1	ASSY A/C COMPRESSOR
37	56508823	1	ASSY HEATER CONTROL
38	56508827	1	EVAPORATOR-HEATER UNIT
39	56508828	1	CONDENSER A/C
40	56508829	1	RECEIVER/DRIER A/C
41	56508833	1	TUBE COOLANT
42	56508834	1	HARNESS EXTERRA A/C
43	56508859	1	DOOR ACCESS

NOTE 1: Gasoline/Petrol and LPG models only.

CAB HEATER-PRESSURIZER AND AC OPTIO

SW8000

05-04-2015

Part List ID
SW8000138

157

Pos	Part no.	Qty	Description	
44	56508860	1	BRACKET REC/DRIER	
45	56508862	1	PLATE COVER	
46	56508865	1	FITTING ADAPTER	
47	56508866	2	HOSE HYDRAULIC	
48	56508867	1	HOSE REFRIGERANT	
49	56508868	1	HOSE REFRIGERANT	
50	56508869	1	HOSE REFRIGERANT	
51	56508870	1	HOSE REFRIGERANT	
52	56508871	1	SWITCH BINARY	
53	56508893	1	BRACKET STOP	
54	56508895	1	HOSE PROTECTIVE	
55	56900110	1	ELBOW 90DEG O/R 4 6 E00003	
56	56900345	1	TEE RUN W/NUT 10 E00009	
57	2-00-05253	4	CLAMP	
58	8-24-04141	1	FILTER - PRESSURIZER	
59	56419654	1	CONDUIT	Note 1
60	56900021	1	ELBOW STR 90 DEG. E00031	Note 1
NS	56508896	1	FAN CONDENSER	
NS	56508897	1	RELAY CONDENSER FAN	
NS	56508898	1	FAN BLOWER	
NS	56508899	1	SWITCH THERMOSTAT	
NS	56508900	1	VALVE EXPANSION	
NS	56508901	1	COIL HEATER	
NS	56508902	1	COIL EVAPORATOR	
NS	56508903	1	FILTER RECIRCULATION	

NOTE 1: Gasoline/Petrol and LPG models only.

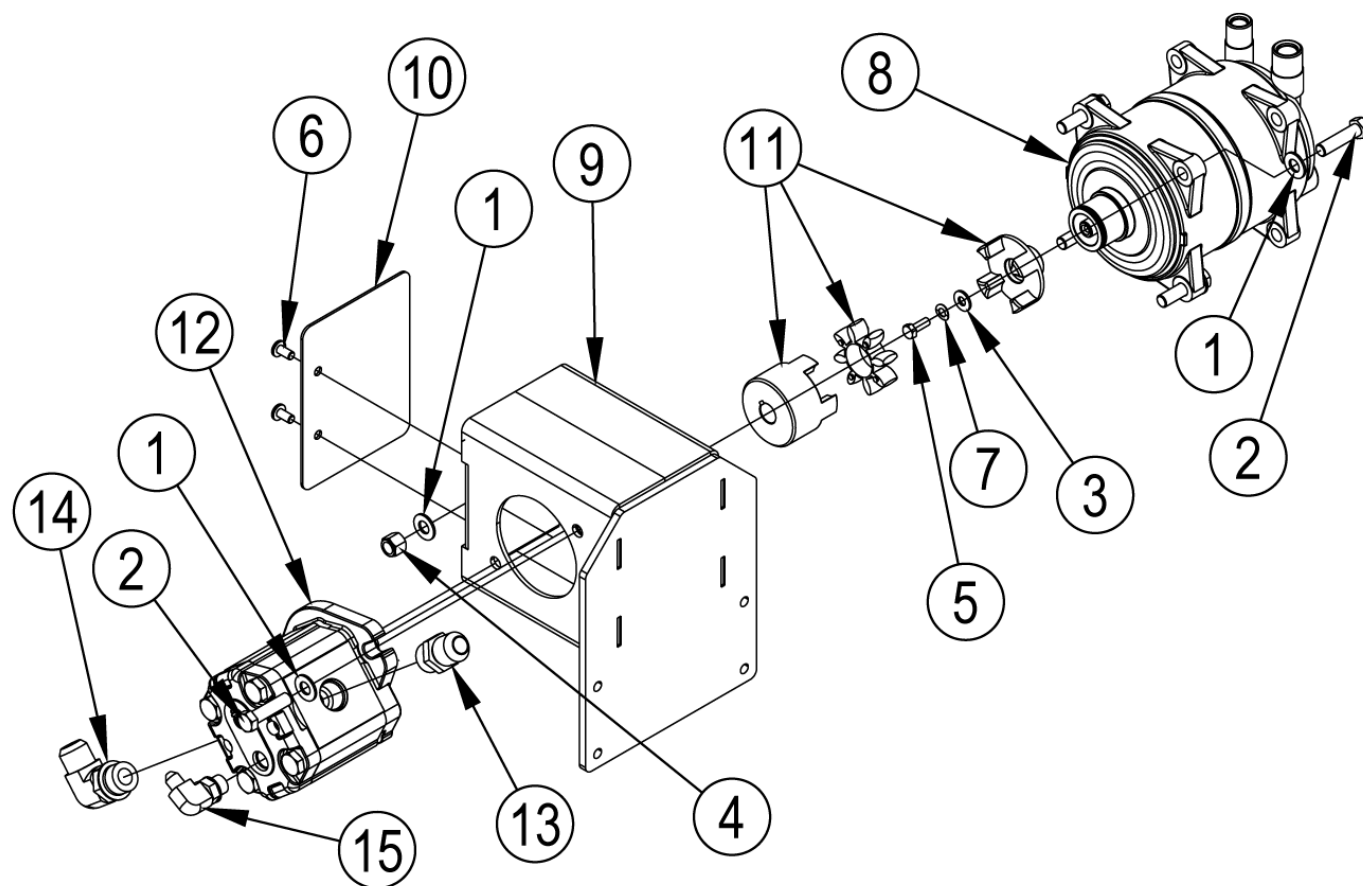
CAB HEATER-PRESSURIZER AND AC OPTION

SW8000

05-04-2015

Part List ID
SW8000140

158



CAB HEATER-PRESSURIZER AND AC OPTION

SW8000

05-04-2015

Part List ID
SW8000140

159

Pos	Part no.	Qty	Description
1	56002063	12	WSH FLT SAE 3/8
2	56002095	6	SCR HEX 3/8-16 X 1.50
3	56002098	1	WSH FLT SAE 1/4
4	56002769	6	NUT HEX NYL LOC 3/8-16
5	56003441	1	SCR HEX LOC M6-1.00X16MM
6	56009062	2	SCR PAN PHIL THD FORM1/4-20X.5
7	56009125	1	WSH BOWED .266X.500X.060
8	56508793	1	COMPRESSOR A/C
9	56508799	1	HOUSING A/C COMPRESSOR
10	56508803	1	PLATE COVER
11	56508804	1	COUPLING SPIDER
12	56508807	1	MOTOR HYDRAULIC
13	56900005	1	CONNECTOR O/R -10 E00001
14	56900105	1	ELBOW 90DEG.O/R 10 E00003
15	56900110	1	ELBOW 90DEG O/R 4 6 E00003

RECOMMENDED SPARE PART

SW8000

05-04-2015

Part List ID
SW8000142

160

No Drawing For Part List

RECOMMENDED SPARE PART

SW8000

05-04-2015

Part List ID
SW8000142

161

Pos	Part no.	Qty	Description	
1		1	NOTE COMMENT	Normal Wear
2	56507998	1	SEAL	
3	56504545	1	SEAL-CRANK -OIL-FRONT	
4	56504546	1	SEAL-CRANK -OIL-REAR	
5	56508325	1	SEAL DOOR HINGE	
6	56107729	1	CLAMP DOOR SEAL	
7	56507189	1	SEAL AIR EXHAUST	
8	56507219	1	SEAL HOPPER COVER 4 PARTS	
9	8-85-06021	1	TIRE-5.00X8 PNEUMATIC	
10	56508943	1	TIRE SOLID 5 X 8 X 3	
11	56508372	1	FLAP DUST	
12	56508373	1	FLAP DUST	
13	56508387	1	FLAP DUST	
14	8-70-00086	1	FLAP-PNEUMATIC TIRE 9.0x6.7	
15	56508389	1	FLAP HOPPER SIDE	
16	56508247	1	FLAP FRONT TIRE TRAIL	
17	56507473	1	FLAP	
18	56507569	1	FLAP BROOM REAR	
19	56508317	1	FLAP	
20	56508083	1	FLAP HOPPER	
21	56507417	1	FLAP DOOR	
22	56107621	1	FLAP BROOM REAR	
23		1	NOTE COMMENT	Ordinary Maintenance
24	56507619	1	SEAL KIT FOR SIDE BROOM MOTOR	
25	56507895	1	GASKET	
26	56507198	1	SEAL VACUUM FAN	
27	56508728	1	SEAL HOPPER SKID PLATE	
28	56507169	1	SEAL HOPPER	
29	56507178	1	SEAL HOPPER DOOR SIDE	
30	7-70-00127	1	SEAL KIT	
31	56109100	1	SEAL KIT	
32	56380809	1	SEAL KIT	
33	56380813	1	SEAL KIT	
34	56508223	1	SEAL KIT	
35	56305354	1	SEAL KIT	
36	56305355	1	SEAL KIT	
37	56507702	1	SEAL KIT	
38	56418823	1	SEAL KIT	
39	8-70-00085	1	TUBE-INNER-PNEU TIRE 5.00x8	
40	8-70-00093	1	TUBE-INNER PNEU. TIRE	
41	56507618	1	SEAL KIT	
42	56507620	1	SEAL KIT FOR MAIN BROOM MOTOR	

NOTE 1: All Diesel machines built after serial number 1000053695 with factory installed temperature gauge.

NOTE 2: All Diesel machines built before serial number 1000053696 with factory installed temperature gauge.

RECOMMENDED SPARE PART

SW8000

05-04-2015

Part List ID
SW8000142

162

Pos	Part no.	Qty	Description
43	56508487	1	OIL FILTER CARTRIDGE
44	56107706	1	SPARK PLUG
45		1	NOTE COMMENT Extra-Ordinary Maintenance
46	56507064	1	MOTOR SIDE BROOM
47	56508664	1	MOTOR 12VDC
48	56419089	1	STARTER MOTOR
49	56507063	1	MOTOR TRACTION DRIVE
50	56507067	1	HYDRAULIC MOTOR VAC FAN
51	56507066	1	MAIN BROOM MOTOR
52	8-65-05015	1	RIM ASSEMBLY
53	8-85-06023	1	RIM ASSY - 3.00x8 LOCKRING
54	56305053	1	SENSOR PROXIMITY
55	56305129	1	ROTARY SENSOR
56	56508454	1	THERMOSTAT KIT
57	56508003	1	HARNESS GASOLINE SENSOR
58	56305010	1	KNOB BROOM
59	56305030	1	KNOB ADJUSTING
60	2-00-04886	1	SCREW-HSHC 3/8-16 X 1/2 LONG
61	2-00-04889	1	BEARING-MAIN BROOM IDLER
62	56507065	1	SIDE BROOM CYLINDER
63	56507095	1	STEERING CYLINDER
64	56507155	1	CYLINDER HYDRAULIC HOPPER DOOR
65	56507241	1	CYLINDER HYDRAULIC HOPPER LIFT
66	56305369	1	CARTRIDGE
67	56305367	1	CARTRIDGE
68	56305531	1	CARTRIDGE
69	56507686	1	CARTRIDGE
70	56507687	1	CARTRIDGE FLOW CONTROL 2 GPM
71	56507688	1	CARTRIDGE
72	56419397	1	RELIEF VALVE CARTRIDGE
73	56507690	1	DIRECTIONAL VALVE
74	56305370	1	CHECK VALVE CARTRIDGE
75	56507692	1	CARTRIDGE
76	56507983	1	ORIFICE
77	56508184	1	ORFICE
78	56507694	1	COIL 12 VDC
79	56507695	1	COIL 12 VDC
80	56497754	1	KEY SWITCH
81	56418685	1	SWITCH STARTER
82	56419091	1	SWITCH TEMPERATURE
83	56508400	1	GOVERNOR CONTROLLER
84	56454429	1	CIRCUIT BREAKER 70A

NOTE 1: All Diesel machines built after serial number 1000053695 with factory installed temperature gauge.

NOTE 2: All Diesel machines built before serial number 1000053696 with factory installed temperature gauge.

RECOMMENDED SPARE PART

SW8000

05-04-2015

Part List ID
SW8000142

163

Pos	Part no.	Qty	Description
85	56413407	1	CIRCUIT BREAKER 15 AMP
86	56413822	1	CIRCUIT BREAKER 20 AMP
87	56507644	1	CIRCUIT BREAKER 10 AMP
88	56110738	1	ALTERNATOR 105 AMP
89	56418387	1	RELAY SPDT
90	56383884	1	SENDER-TEMPERATURE-BSPP
91	56305873	1	SENDER TEMPERATURE
92	56508191	1	SWITCH ASSEMBLY N.O.
93	56507889	1	SWITCH SPDT ROCKER
94	56507888	1	SWITCH SPDT ROCKER
95	56508899	1	SWITCH THERMOSTAT
96	56508871	1	SWITCH BINARY
97	56418381	1	SWITCH N C PRESSURE
98	56107613	1	SENSOR OXYGEN
99	56107712	1	OIL PRESSURE SWITCH
100	56508444	1	SWITCH PRESSURE
101	56107721	1	WATER TEMP SENSOR W/SEAL
102	2-00-06354	1	CRANK/RPM SENSOR
103	56107707	1	STARTER
104	56107708	1	WATER PUMP ASSY-LPG
105	56510970	1	WATER PUMP-D1305
106	56107710	1	DIPSTICK
107	56107711	1	GASKET-EXHAUST MANIFOLD
108	56107718	1	IGNITION COIL
109	56510971	1	PULLEY-ALTERNATOR
110	56383025	1	CAP-OIL FILL
111	56107668	1	SWITCH KIT-OPERATOR PRESENCE

NOTE 1: All Diesel machines built after serial number 1000053695 with factory installed temperature gauge.

NOTE 2: All Diesel machines built before serial number 1000053696 with factory installed temperature gauge.

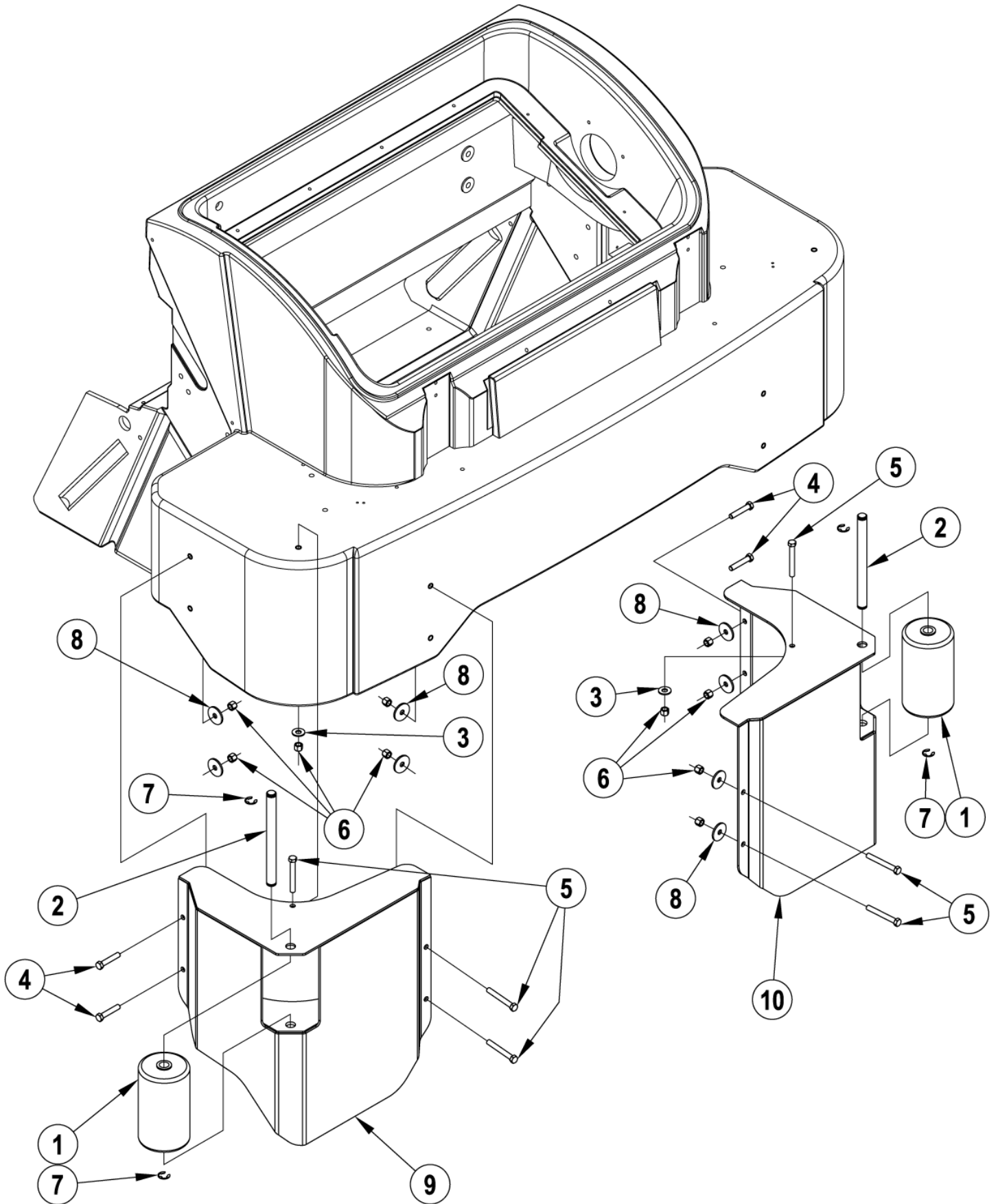
56508364/56508365 - Right/Left Side Broom Guar

SW8000

05-04-2015

Part List ID
IS56040922

164



56508364/56508365 - Right/Left Side Broom Guard

SW8000

05-04-2015

Part List ID

IS56040922

165

Pos	Part no.	Qty	Description	
0	56508364	1	RIGHT SIDE BROOM GUARD KIT	
0	56508365	1	LEFT SIDE BROOM GUARD KIT	
1	56409335	1	BUMPER ROLLER	
2	56409336	1	PIN	
3	56002055	1	WSH FLT STD 3/8	
4	56002800	2	SCR HEX SS 3/8-16 X 2.00	
5	56003783	3	SCR HEX SS 3/8-16 X 3.00	
6	56002769	5	NUT HEX NYL LOC 3/8-16	
7	56003266	2	RING RET EXT TYPE E	
8	56009242	4	WSH FLT .406X1.50X.125	
9	56107726	1	RT SB GUARD WELDT	FOR 56508364 RIGHT SIDE
10	56107727	1	LT SB GUARD WELDT	FOR 56508365 LEFT SIDE

NOTE: Items 1, 2 & 7 are pre-assembled to the side broom guard weldment in both kits.

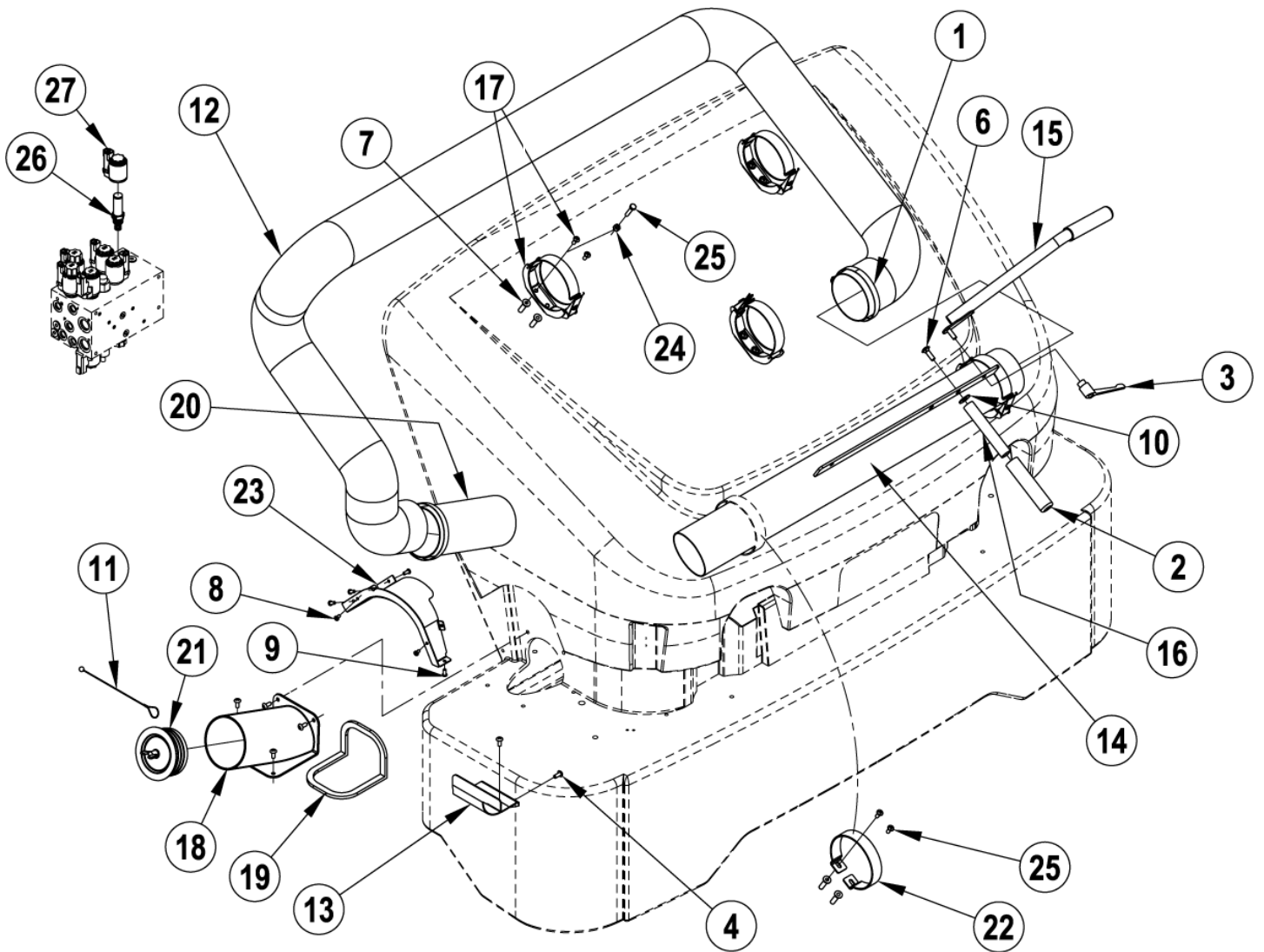
56507030 - Litter Vac Kit

SW8000

05-04-2015

Part List ID
IS56040935

166



56507030 - Litter Vac Kit

SW8000

05-04-2015

Part List ID
IS56040935

167

Pos	Part no.	Qty	Description	
0	56507030	1	LITTER VAC KIT	
1	2-00-03959	2	CLAMP-FAN HOSE	
2	2-95-03355	2	GRIP-HDL	
3	7-39-00033	1	KNOB 5-16/18 ADJ HANDLE	
4	56009120	6	SCR PANPHIL SS TYPEB1/4-14X.62	
6	56003720	1	SCR CARRIAGE SS 5/16-18 X 1.00	
7	56003768	10	INSERT COLLAPSING 1/4-20	
8	56009030	2	SCR PAN PHIL THD FOM 10-24X.38	
9	56009191	5	SCR PAN PHIL PLASTITE10-14X.50	
10	56009213	1	SH FLT .382X1.000X.075	
11	56261378	1	STRAP CORK	
12	56507863	1	HOSE	
13	56508451	1	BAFFLE VAC WAND	
14	56508550	1	VAC TUBE WELDMENT	
15	56508555	1	HANDLE WELDMENT	
16	56508556	1	GRIP WELDMENT	
17	56508570	4	CLAMP ASSEMBLY	
18	56508724	1	VAC HOSE MANIFOLD WELDT	
19	56508727	1	SEAL VAC HOSE MANIFOLD	
20	56508729	1	COUPLING VAC HOSE	
21	56508731	1	PLUG 4 PIPE	
22	56508732	1	BRACKET VAC HOSE	
23	56508733	1	COVER CUTOUT WELDT	
24	56508740	1	INSERT TOOL	
25	56001821	10	SCR HEX 1/4 20 X .88	
26	56305368	1	CARTRIDGE	
27	56507694	1	COIL 12 VDC	
28	56508191	1	SWITCH ASSEMBLY N.O.	(SW8000 only)
29	56001854	2	SCR HEX 1/4 20 X .50	(SW8000 only)
30	56002098	2	WSH FLT SAE 1/4	(SW8000 only)
31	56009005	1	SCR PANPHILS TYPE AB 10-16X.75	(SW8000 only)
32	56418387	1	RELAY SPDT	(SW8000 only)

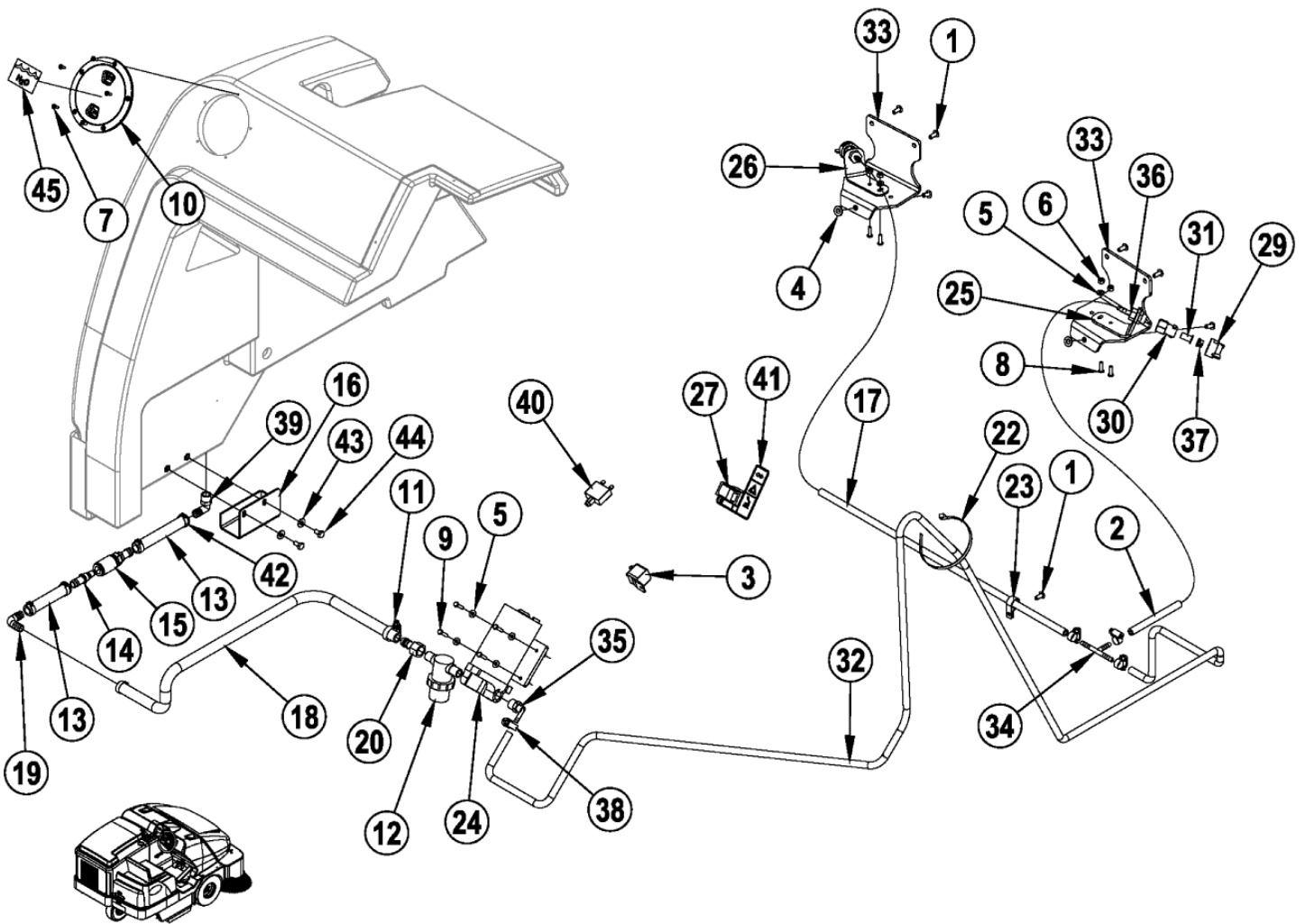
56507850 - Sidebroom Premist Kit

SW8000

05-04-2015

Part List ID
IS56040940

168



56507850 - Sidebroom Premist Kit

SW8000

05-04-2015

Part List ID
IS56040940

169

Pos	Part no.	Qty	Description
0	56507850	1	MIST SPRAY KIT
1	56009120	7	SCR PANPHIL SS TYPEB1/4-14X.62
2	56264260	1	5.00 HOSE
3	56418387	1	RELAY SPDT
4	56002938	2	WSH FLT SAE SS 5/16
5	56002916	6	WSH FLT SAE SS 10
6	56002836	4	NUT HEX NYL LOC SS 10-24
7	56003093	6	SCR PAN PHIL PLAST 8-15 X .50
8	56002894	4	SCR PAN PHIL SS 10-24 X .75
9	56009038	4	SCRHEX THD FORM 10-24 X .88
10	FP292	1	SOLUTION LID KIT 56108085
11	56219932	1	CLAMP HOSE SAE 6 E00047
12	56260905	1	STRAINER
13	56265245	2	HOSE PVC CLEAR 5.00
14	56314310	1	COUPLING QUICK DISC. MALE
15	56314311	1	COUPLING QUICK DISC. FEMALE
16	56107699	1	GUARD
17	56317122	1	HOSE .25X25.0 E00160
18	56392663	1	HOSE SPIRAL 1/2IDX3/4ODX33.0
19	56386183	1	HOSE BARB 90 DEG
20	56397145	1	BARB HOSE FEMALE
22	56477613	1	CABLE TIE E00549 RE409S
23	56486112	1	CLAMP P
24	56507851	1	PUMP 24 VDC
25	56107702	1	BRACKET-NOZZLE
26	56107701	1	BRACKET-NOZZLE
27	56507889	1	SWITCH SPDT ROCKER
28	56507902	1	ELECTRICAL HARNESS DUST GUARD
29	56507908	2	CAP NOZZLE
30	56507909	2	ADAPTER NOZZLE
31	56507916	2	STRAINER CHECK VALVE 5 PSI
32	56507986	1	HOSE 1/4 ID X 1/2 OD X 120 LG
33	56107700	2	BRACKET-MIST SPRAY NOZZLE
34	56508441	1	TEE 1/4 HOSE BARB
35	56508442	1	ELBOW BARB 1/4 X 3/8 NPT
36	56508449	2	NOZZLE ADAPTOR
37	56508450	2	NOZZLE SPRAY
38	56756364	4	CLAMP HOSE SAE 4 E00047
39	56409152	1	BARB 90 1/2 NPTX1/2 E00037
40	56507644	1	CIRCUIT BREAKER 10 AMP
41	56508228	1	DECAL OPTIONS
42	56508517	5	CLAMP OEITKER
43	56002859	2	WSH FLT SAE SS 1/4

56507850 - Sidebroom Premist Kit

SW8000

05-04-2015

Part List ID
IS56040940

170

Pos	Part no.	Qty	Description
44	56002801	2	SCR HEX SS 1/4-20 X .50
45	56508644	1	DECAL WATER ONLY

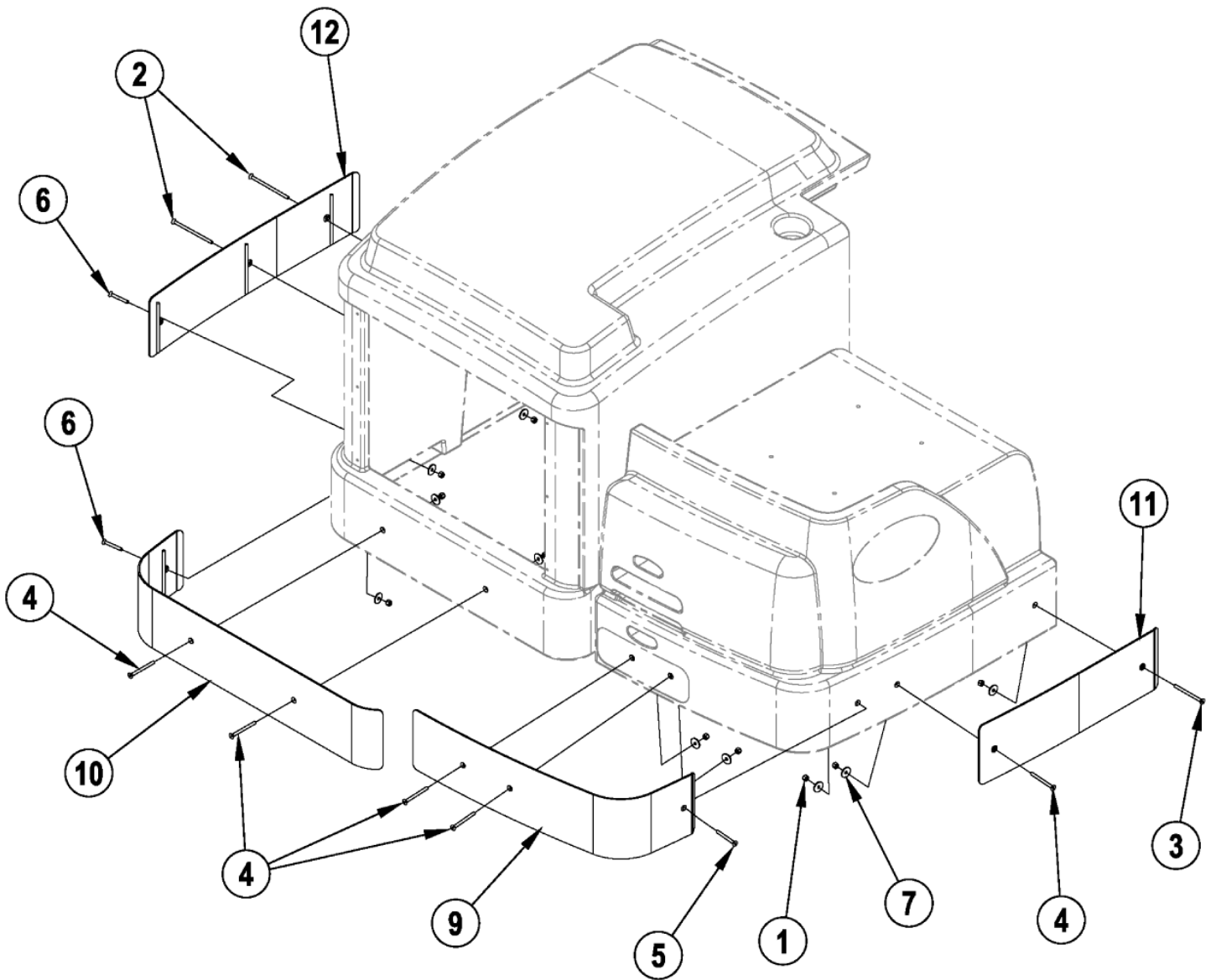
56508720 - Rear Bumper Kit

SW8000

05-04-2015

Part List ID
IS56040961A

171



56508720 - Rear Bumper Kit

SW8000

05-04-2015

Part List ID
IS56040961A

172

Pos	Part no.	Qty	Description
0	56508720	1	REAR BUMPER KIT
1	56002491	11	NUT HEX NYL LOC SS 1/4-20
2	56003772	2	SCR FLT SOC 1/4-20 X 4.75
3	56003773	1	SCR FLT SOC 1/4-20 X 3.50
4	56003774	5	SCR FLT SOC 1/4-20 X 3.00
5	56003775	1	SCR FLT SOC 1/4-20 X 2.50
6	56003776	2	SCR FLT SOC 1/4-20 X 2.00
7	56009060	11	WSH FLT SS .260X1.000X.074
9	56107730	1	RT REAR BUMPER WELDT
10	56107731	1	LT REAR BUMPER WELDT
11	56107732	1	RT BUMPER WELDT
12	56107733	1	LT BUMPER WELDT

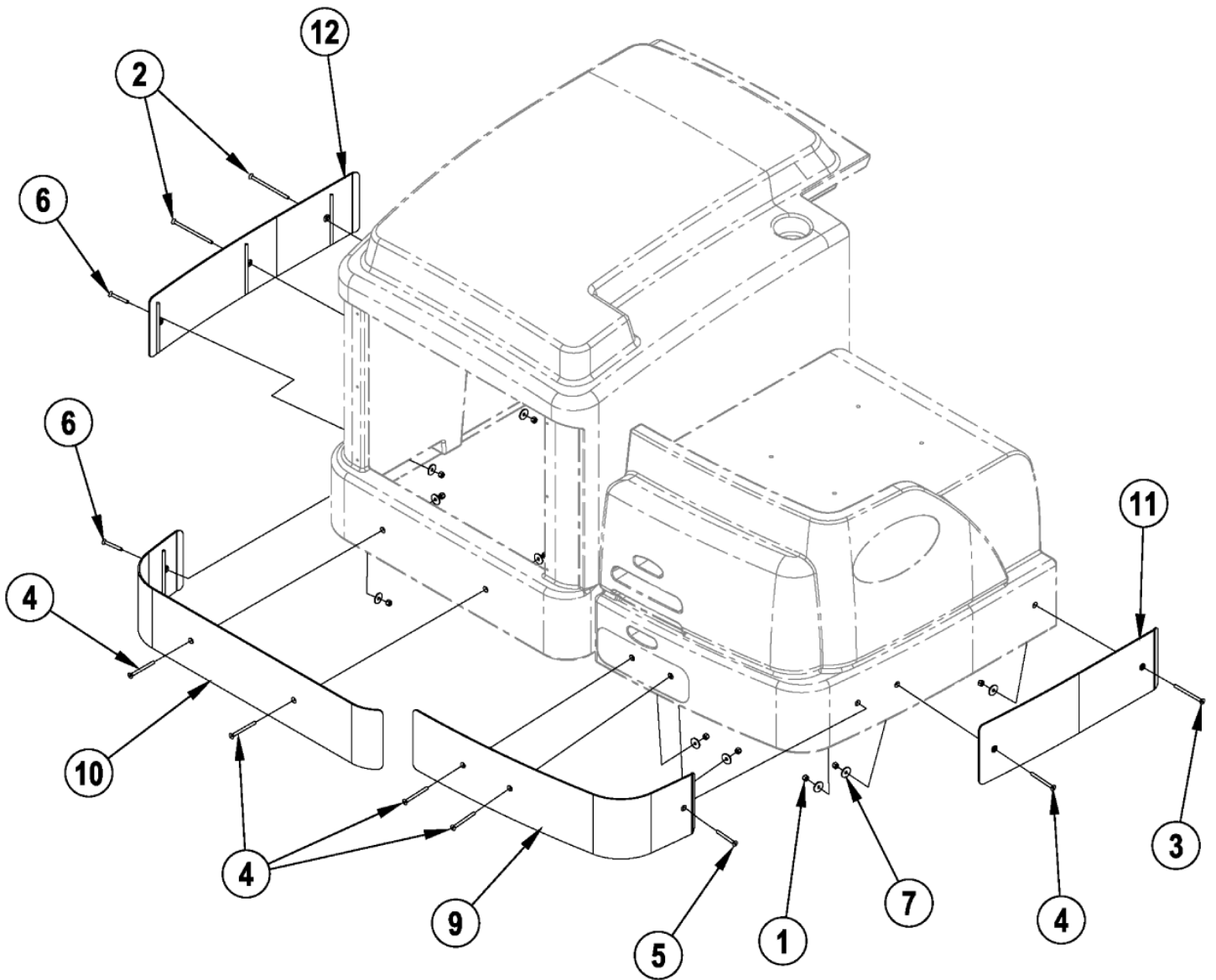
56508811 - Rear Bumper Kit - Cab

SW8000

05-04-2015

Part List ID
IS56040961B

173



56508811 - Rear Bumper Kit - Cab

SW8000

05-04-2015

Part List ID
IS56040961B

174

Pos	Part no.	Qty	Description
0	56508811	1	REAR BUMPER KIT-CAB
1	56002708	6	NUT HEX NYL LOC 1/4-20
2	56003772	2	SCR FLT SOC 1/4-20 X 4.75
4	56003774	2	SCR FLT SOC 1/4-20 X 3.00
6	56003776	2	SCR FLT SOC 1/4-20 X 2.00
7	56009060	6	WSH FLT SS .260X1.000X.074
10	56107731	1	LT REAR BUMPER WELDT
12	56107733	1	LT BUMPER WELDT

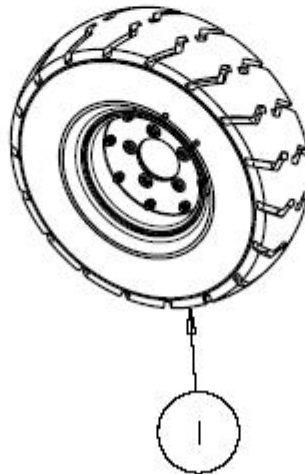
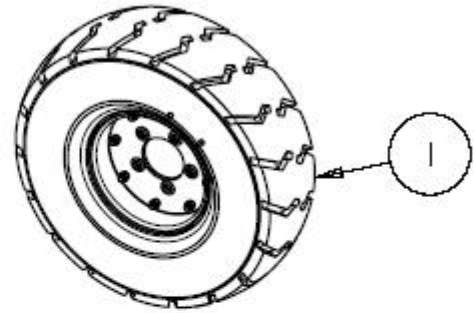
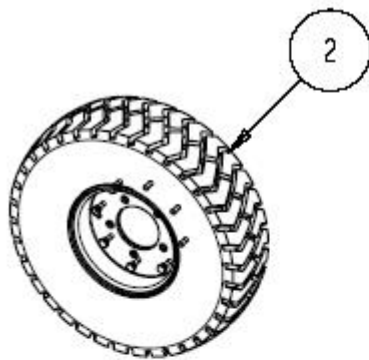
56507037 - Foam filled tyre kit

SW8000

05-04-2015

Part List ID
56507037

175



56507037 - Foam filled tyre kit

SW8000

05-04-2015

Part List ID
56507037

176

Pos	Part no.	Qty	Description
0	56507037	1	FOAM FILLED TIRE KIT
1	8-89-08056	1	WHL ASSY PNEUMATIC FOAM FILLED
2	8-89-08080	2	WHEEL ASSY-FRONT FOAM FILL 5x8

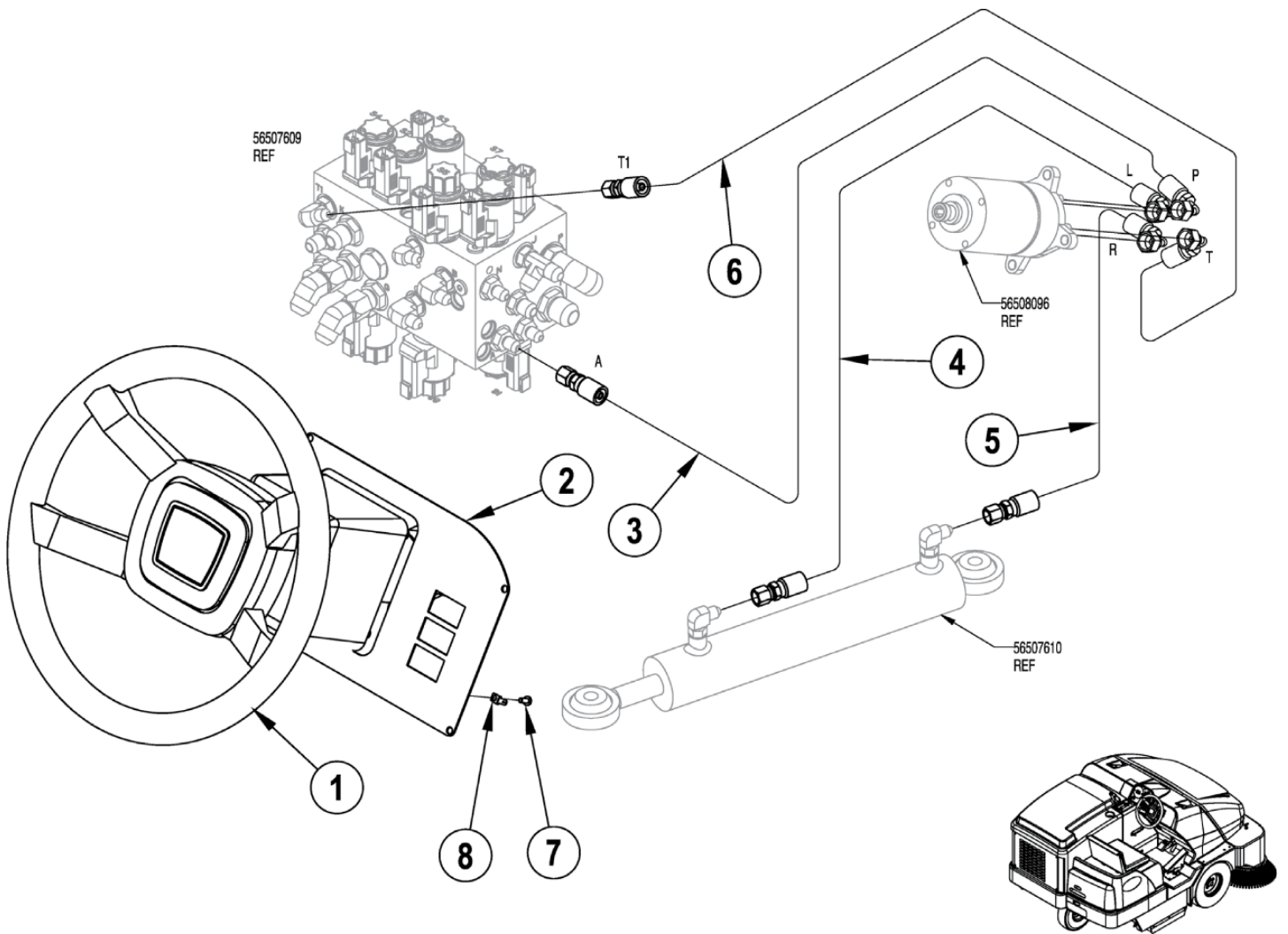
56507228 - Tilt Steering Option

SW8000

05-04-2015

Part List ID
IS56040962

177



56507228 - Tilt Steering Option

SW8000

05-04-2015

Part List ID
IS5604096Z

178

Pos	Part no.	Qty	Description
0	56507228	1	TILT STEERING OPTION
1	56507239	1	TILT STEERING ASSEMBLY
2	56107699	1	GUARD
3	56507360	1	HOSE HYDRAULIC
4	56507361	1	HOSE HYDRAULIC
5	56507362	1	HOSE HYDRAULIC
6	56507363	1	HOSE HYDRAULIC
7	56001818	1	SCR PAN PHIL 8 32 X .38
8	56508923	1	TAB-QUICK CONNECT .187 X 8

NOTE: Refer to 56042471 for replacement parts.

56107627 - CONTROL BOX KIT

SW8000

05-04-2015

Part List ID
IS56090150

179

No Drawing For Part List

56107627 - CONTROL BOX KIT

SW8000

05-04-2015

Part List ID
ISS6090150

180

Pos	Part no.	Qty	Description
0	56107627	1	KIT-CONTROL BOX
1	56107624	1	CONTROL BOX

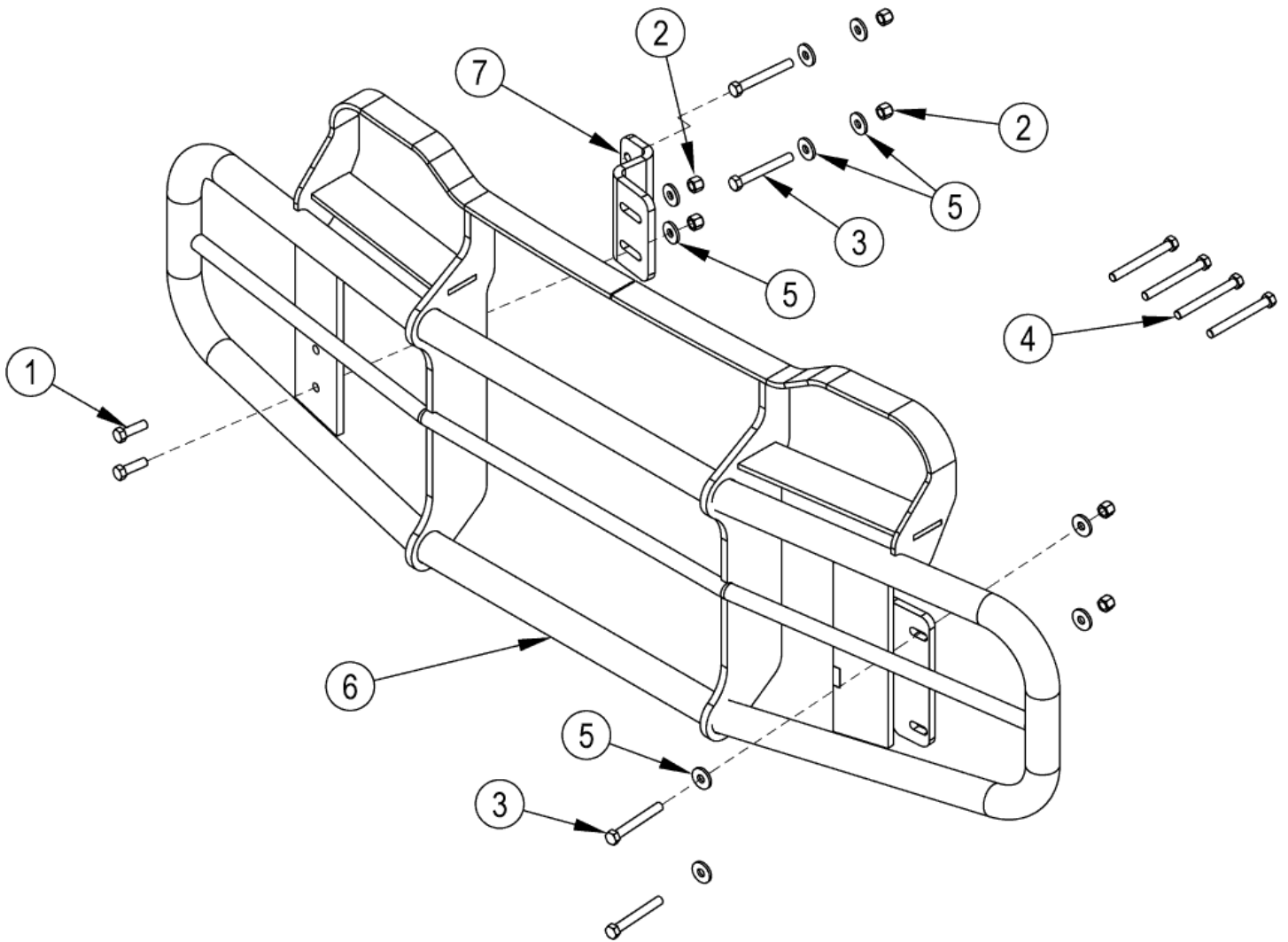
56107612 - FRONT BUMPER KIT

SW8000

05-04-2015

Part List ID
IS56090151

181



56107612 - FRONT BUMPER KIT

SW8000

05-04-2015

Part List ID
IS56090151

182

Pos	Part no.	Qty	Description
0	56107612	1	FRONT BUMPER KIT
1	56002095	2	SCR HEX 3/8-16 X 1.50
2	56003219	6	NUT HEX NYL LOC SS 3/8 16
3	56003783	4	SCR HEX SS 3/8-16 X 3.00
4	56003936	4	SCR-HEX SS 3/8-16 X 3.50
5	56009107	10	WSH FLT SS .378/.373X1.00X.075
6	56107628	1	FRONT BUMPER WELDT
7	56107633	1	BRACKET-RT

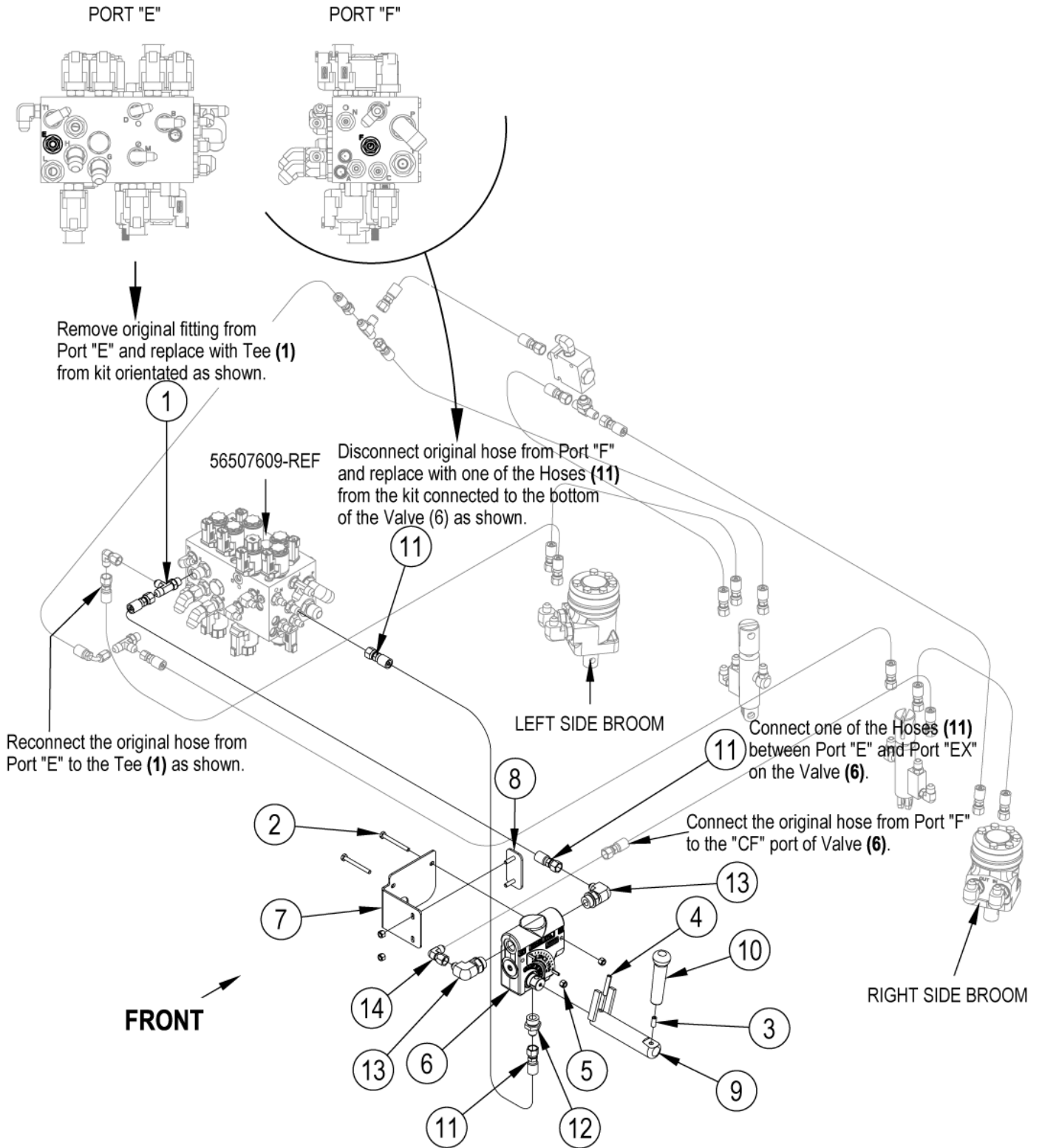
56107680 - Side broom speed control kit

SW8000

05-04-2015

Part List ID
IS56090157

183



56107680 - Side broom speed control kit

SW8000

05-04-2015

Part List ID
IS56090157

184

Pos	Part no.	Qty	Description	
0	56107680	1	KIT-SIDE BROOM SPEED CONTROL	
1	56900343	1	TEE E00009	
2	56001855	2	SCR HEX 1/4 20 X 2.50	A
3	56002085	1	SCR SOC SET LOC 5/16-18 X .75	B
4	56002225	1	PIN SPR .31 X 1.50	A
5	56002708	4	NUT HEX NYL LOC 1/4-20	5
6	56107677	1	FLOW CONTROL VALVE	A
7	56107678	1	BRACKET	A
8	56107679	1	PLATE	
9	56107681	1	HANDLE EXTENSION WELDT	A
A		1	NOTE COMMENT	Valve Assembly
B		1	NOTE COMMENT	Handle Assembly
10	56305010	1	KNOB BROOM	B
11	56507537	2	HOSE HYDRAULIC	
12	56900014	1	CONNECTOR O/R 6 10 E00001	A
13	56900113	2	ELBOW 90 DEG.O/R	A
14	56900303	1	ELBOW 90D W/NUT 6C6X S E00007	A
15	56107547	1	DECAL-SIDE BROOM SPEED	

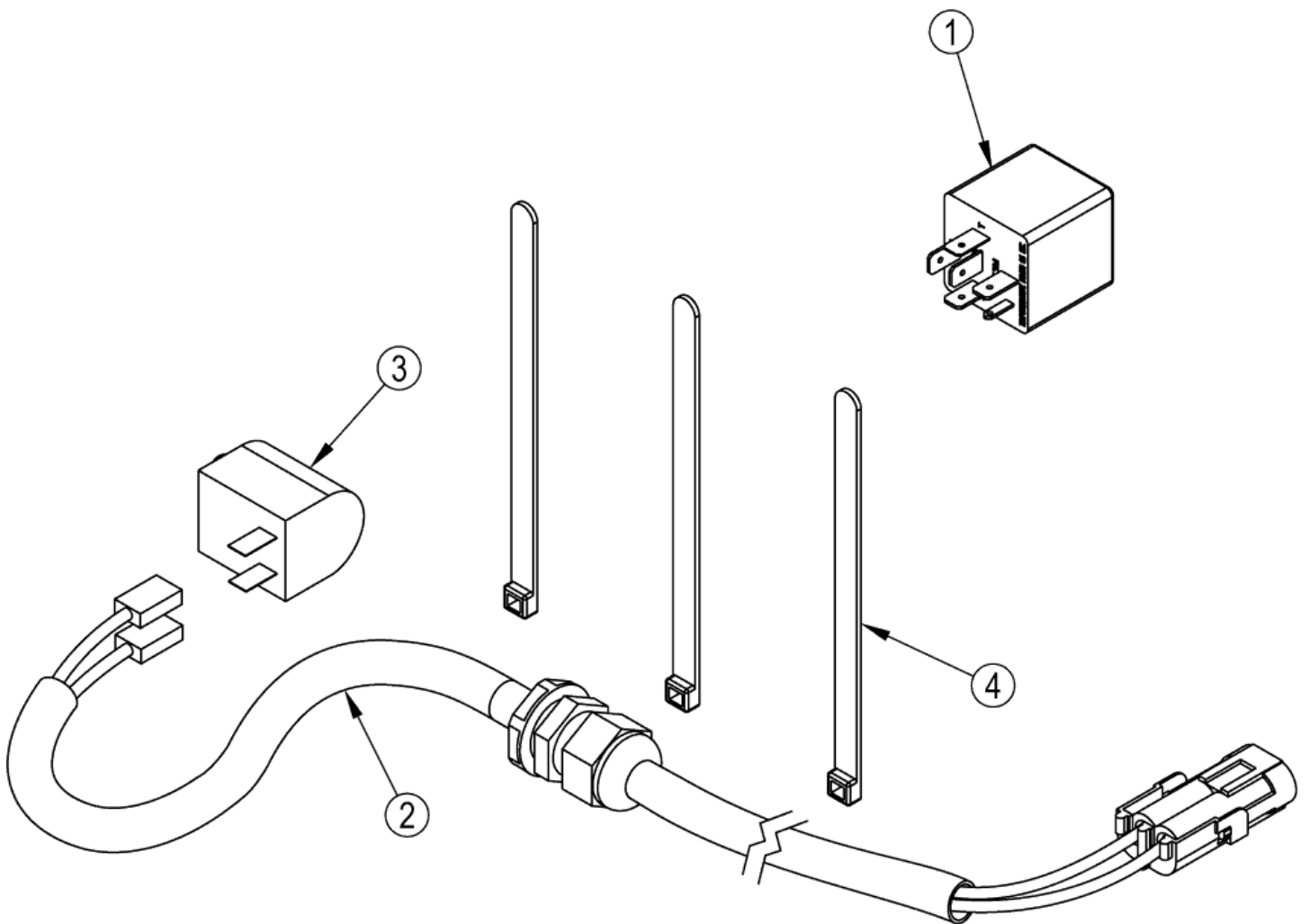
56107668 - OPERATOR PRESENCE SWITCH K

SW8000

05-04-2015

Part List ID
IS56090161

185



56107668 - OPERATOR PRESENCE SWITCH K

SW8000

05-04-2015

Part List ID
IS56090161

186

Pos	Part no.	Qty	Description
0	56107668	1	SWITCH KIT-OPERATOR PRESENCE
1	33019197	1	RELAY TIMER 0.5 SECONDS
2	56380833	1	HARNESS-SEAT JUMPER
3	7-82-00050	1	SWITCH
4	2-00-04345	3	TY-RAP THOMAS+BETTS-TY-28M

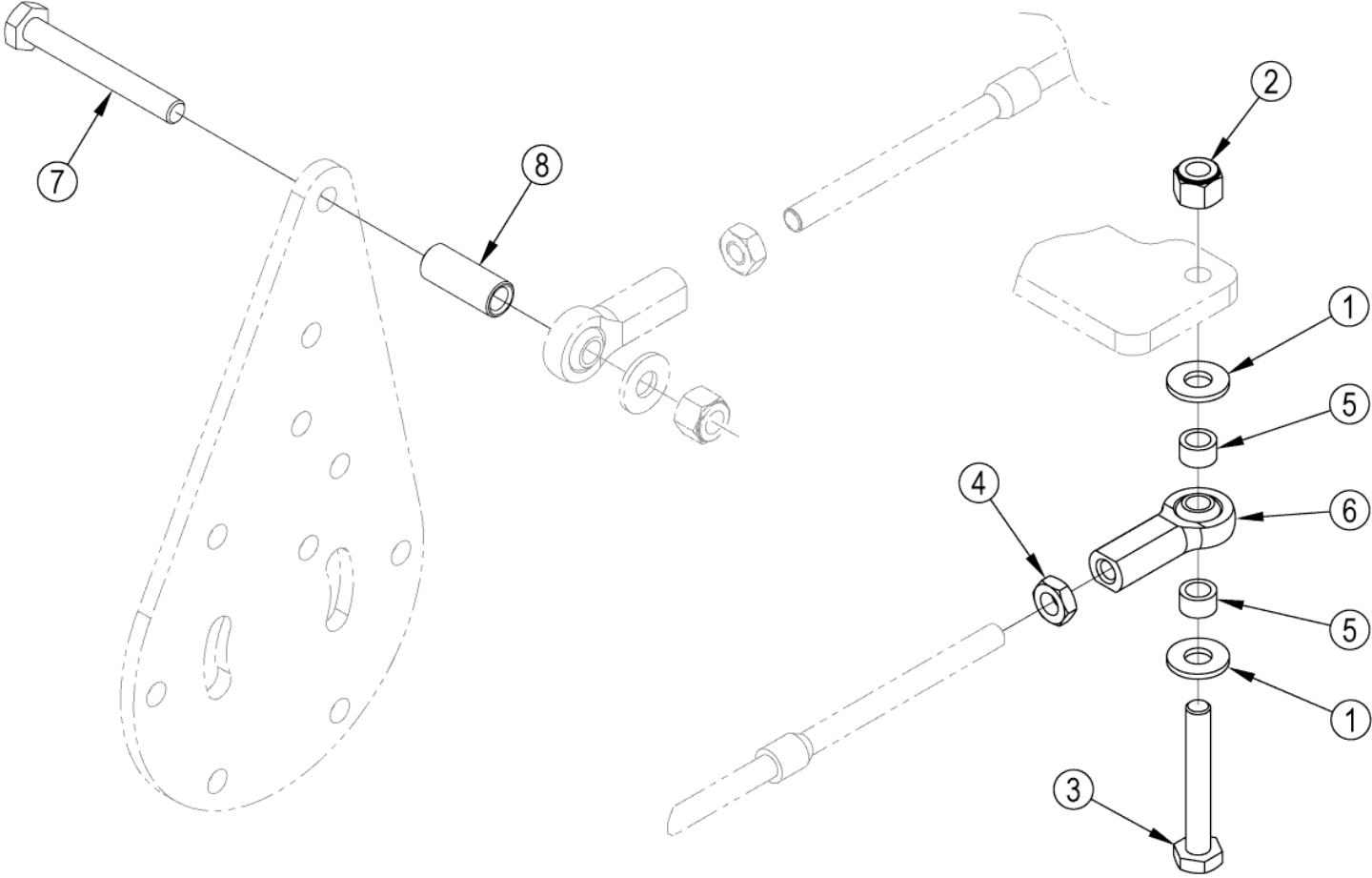
56383880 ROD END THROTTLE KIT

SW8000

05-04-2015

Part List ID
IS56090236

187



56383880 ROD END THROTTLE KIT

SW8000

05-04-2015

Part List ID
1S56090Z36

188

Pos	Part no.	Qty	Description
0	56383880	1	ROD END THROTTLE KIT
1	56002098	2	WSH FLT SAE 1/4
2	56002708	1	NUT HEX NYL LOC 1/4-20
3	56003484	1	SCR HEX GRD8 1/4-20 X 1.75
4	2-95-01999	1	NUT-HEX-JAM .25-28 ZN
5	56368997	2	BUSHING .25X.37X.21CV82H
6	7-25-02111	1	ROD END 1/4-28
7	56003962	1	SCR-HEX 1/4-20 X 2.00 GRADE 8
8	56383657	1	SPACER-.25 IDX.375 ODX.900

NOTE: All the machines listed above built before serial number 1000052640 need to install the Rod End Throttle Service Kit 56383880 to replace the Rod End on the Forward - Reverse Push Pull Control Cable connection to the Piston Pump Assembly. The Granterra / SR2000 Diesel Models