

GU 700A

Model:
GU 700 A



Part List English

08-01-2014

Table of Contents

GU 700A

Base System	3
Brush motor assembly	6
Decal System	8
Handle system 1 (BEFORE SN1876507)	10
Handle system 2 (BEFORE SN1876507)	13
Handle system 1 (AFTER SN1876506)	16
Handle system 2 (AFTER SN1876506)	19
Wiring diagram - 240V	22
Wiring diagram - 100V	24
56323296 - Vacuum Tool Kit	26
56323296 - Vacuum Tool Kit	28
56330920 - Microstat Filter Kit	30

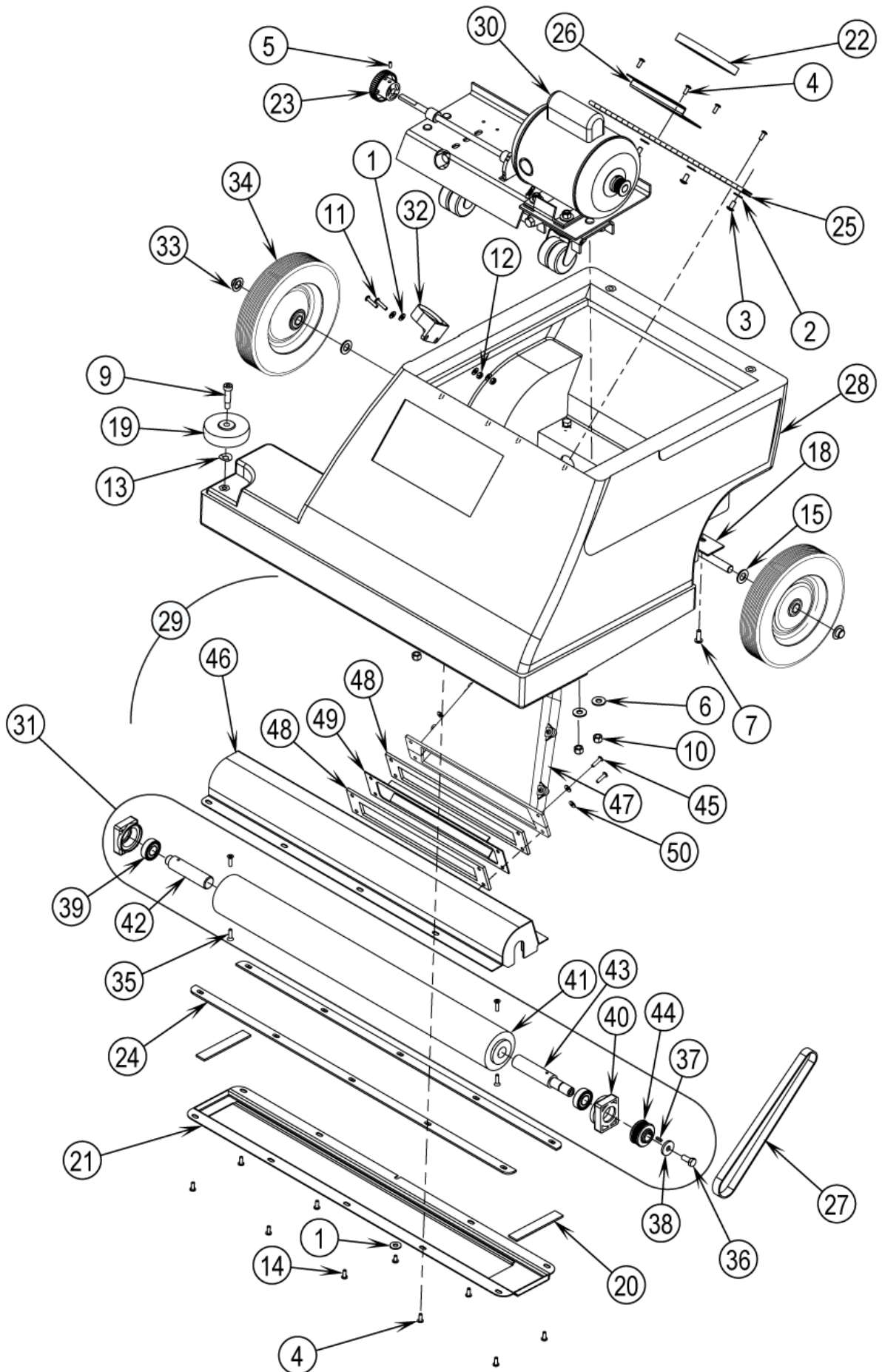
Base System

GU 700A

08-01-2014

Part List ID
GU700A3

3



Base System

GU 700A

08-01-2014

Part List ID
GU 700A3

4

Pos	Part no.	Qty	Description	
1	56001954	5	Washer flat Sae 10	
2	56002098	4	Washer flat Sae 1/4	
3	56002145	4	Scr Pan Hd Phil 1/4-20 x	
4	56002147	13	SCR PAN HD PHIL 10-32 X .	
5	56003123	1	SCR,SOC SET 10-24 X .38	
6	56001939	4	Washer flat Sae 5/16	
7	56002066	2	1/4-20 X 5/8 SCREW	
9	56003472	1	SCR SOC SHD	
10	56002826	4	Nut Hex Nyloc Thin (s/s) replaced by 56002701	
11	56002674	2	SCR PAN HD PHIL 10-24 X 1	
12	56002832	2	Nut Hex Nyl	
13	56009024	1	WASHER, BOWED	
14	56009030	1	SCR PAN PHIL THD FOM 10-2	
15	56009003	4	Washer flat	TSBUS2002-798
18	56330045	1	WELDMENT, AXLE	TSBUS2002-798
19	56049261	1	WHEEL	
20	56052279	2	Gasket Foam	
21	56381747	1	PLATE BOTTOM	
22	56055054	1	GASKET FOAM	
23	56475480	1	Knob 2.00 x.375 Re253C	
24	56055187	2	Gasket Foam	
25	56055213	1	HINGE BUTT	
26	56055217	1	BRACKET INTAKE TUBE	
27	56055123	1	BELT	
28	56330010	1	TANK, BASE MACHINED	
29	56330011	1	BRUSH HOUSING ASSEMBLY (ø 45-49)	Pos. 45-50 - TSBUS2002-808
30	56330050	1	BRUSH MOTOR ASSEMBLY	240V-60Hz/ see associated pages
30	56330901	1	BRUSH MOTOR ASSEMBLY (SEE ASSOCIATED PAGES)	40V / see associated pages
30		1	NOTE COMMENT	100V / see associated pages - not available
31	56330015	1	BRUSH ASSEMBLY GU 700A	Pos. 35-44 - TSBUS2002-808
32	56331151	1	HOLDER TUBE	
33	56009097	2	Wheel Cap	TSBUS2002-798
34	56330051	2	WHEEL	TSBUS2002-798 / NOTE 1
35	56001900	4	SCR FLT HD PHIL 10-24 X .	
36	56002956	1	Cap Screw 3/4 replaced by 56002667	
37	56003235	1	KEY, SQ .12 X .44	
38	56001939	1	Washer flat Sae 5/16	
39	56027222	2	ROLLER BEARING	
40	56055030	2	BEARING MOUNT	
41	56055126	1	BRUSH CYLINDER	
42	56055127	1	SHAFT BRUSH	
43	56330014	1	SHAFT	
44	56330914	1	SHEAVE POLY V BELT	

NOTE 1: Wheel 56330051 has replaced 56210148 in production.

Base System

GU 700A

08-01-2014

Part List ID
GU 700A3

5

Pos	Part no.	Qty	Description
45	56002192	4	SCR PAN HD PHIL 10-24 X .
46	56034673	1	WELDMENT BRUSH HOUSING
47	56055121	1	TUBE INTAKE MACHINED
48	56055122	2	GASKET
49	56055615	1	PLATE
50	56001954	4	Washer flat Sae 10

NOTE 1: Wheel 56330051 has replaced 56210148 in production.

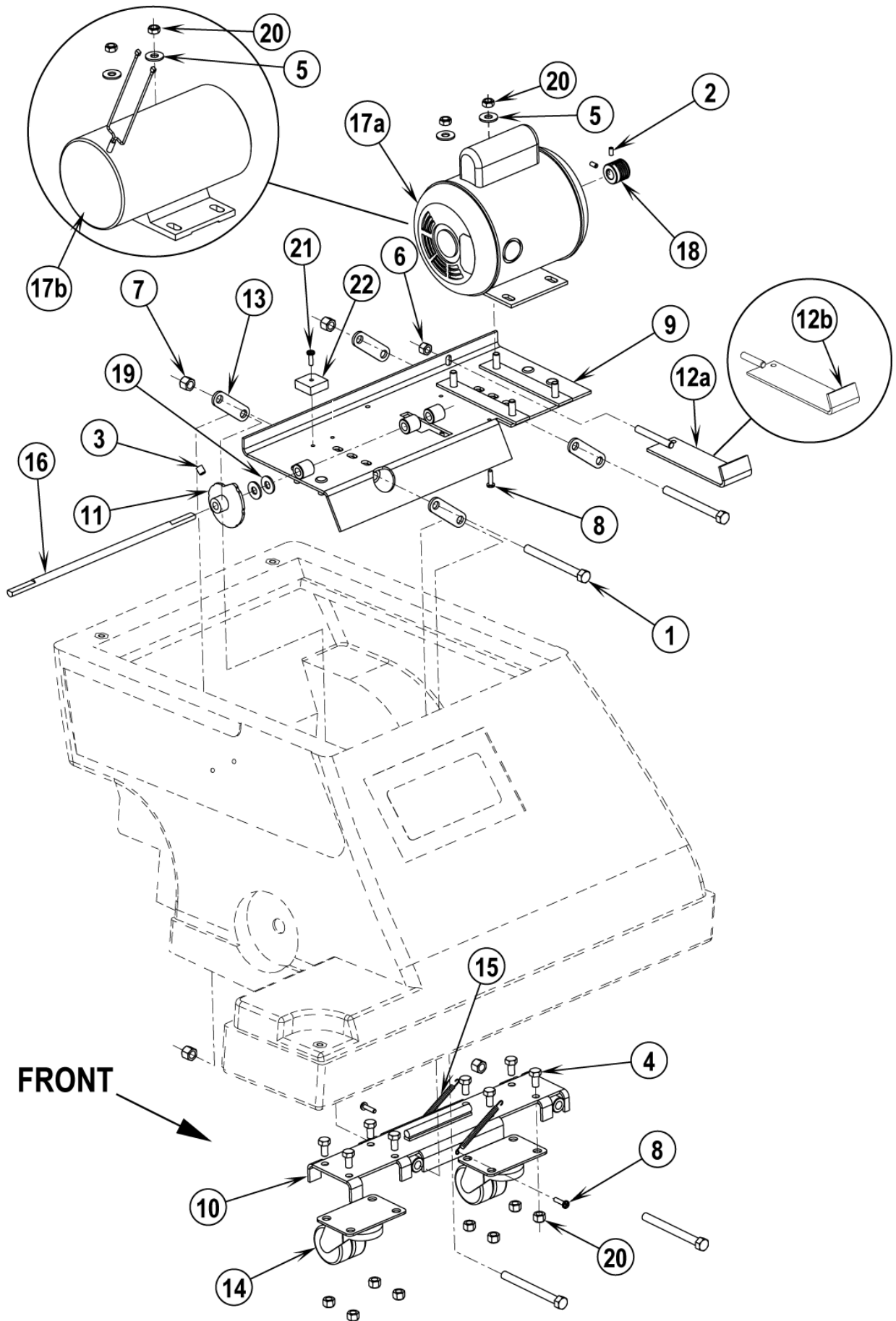
Brush motor assembly

GU 700A

08-01-2014

Part List ID
GU700A5

6



Brush motor assembly

GU 700A

08-01-2014

Part List ID
GU 700A5

7

Pos	Part no.	Qty	Description	
1	56001819	4	SCR HEX 3/8 16 X 4.00	
2	56001823	2	Scr Soc Hd Set 10-24 x .3	
3	56002021	1	Socket Set Screw 3/8in,0,	
4	56002035	8	Scr Hex Hd 5/16-18 x .62	
5	56001939	2	Washer flat Sae 5/16	
6	56002701	1	Nut Hex Lock 5/16-18	
7	56002769	4	Nut Hex	
8	56009043	4	SCR PAN PHIL THD FORM 10-24X.75	
9	56034675	1	WELDMENT BRACKET MOTOR	240V
9		1	NOTE COMMENT	100V - not available
10	56034677	1	CASTER BRACKET WELDMENT	
11	56034679	1	WELDMENT CAM HEIGHT ADJUSTMENT	
13	56055031	4	STEEL BAR	
14	56055134	2	CASTER 2.00 DIA.	
15	56055135	2	SPRING	
16	56055137	1	SHAFT HEIGHT ADJUSTMENT	
18	56330016	1	SHEAVE PULLEY V BELT	
19	56001939	2	Washer flat Sae 5/16	100V
20	56002826	10	Nut Hex Nyloc Thin (s/s) replaced by 56002701	
21	56009100	1	SCR PANPHILTHD BLK 10-24X	100V
22	56180163	1	Rectifier 40A	100V
12A	56034691	1	WELDMENT ADJUSTMENT BRACKET	240V
12B		1	NOTE COMMENT	100V - not available
17A	56330013	1	Motor 1/3 120v	240V-60Hz
17A	56330908	1	BRUSH MOTOR	240V
17A	56755056	1	CAPACITOR 400-480MF__E002	For 56330013 - Not shown
17B	56330928	2	BRUSH, CARBON (2 REQ'D)	For 56330926 - Not shown
17B	56330929	2	BRUSH, SPRING (2 REQ'D)	For 56330926 - Not shown
17B	56330930	2	BRUSH, COVER (2 REQ'D)	For 56330926 - Not shown
17B		1	NOTE COMMENT	100V - not available

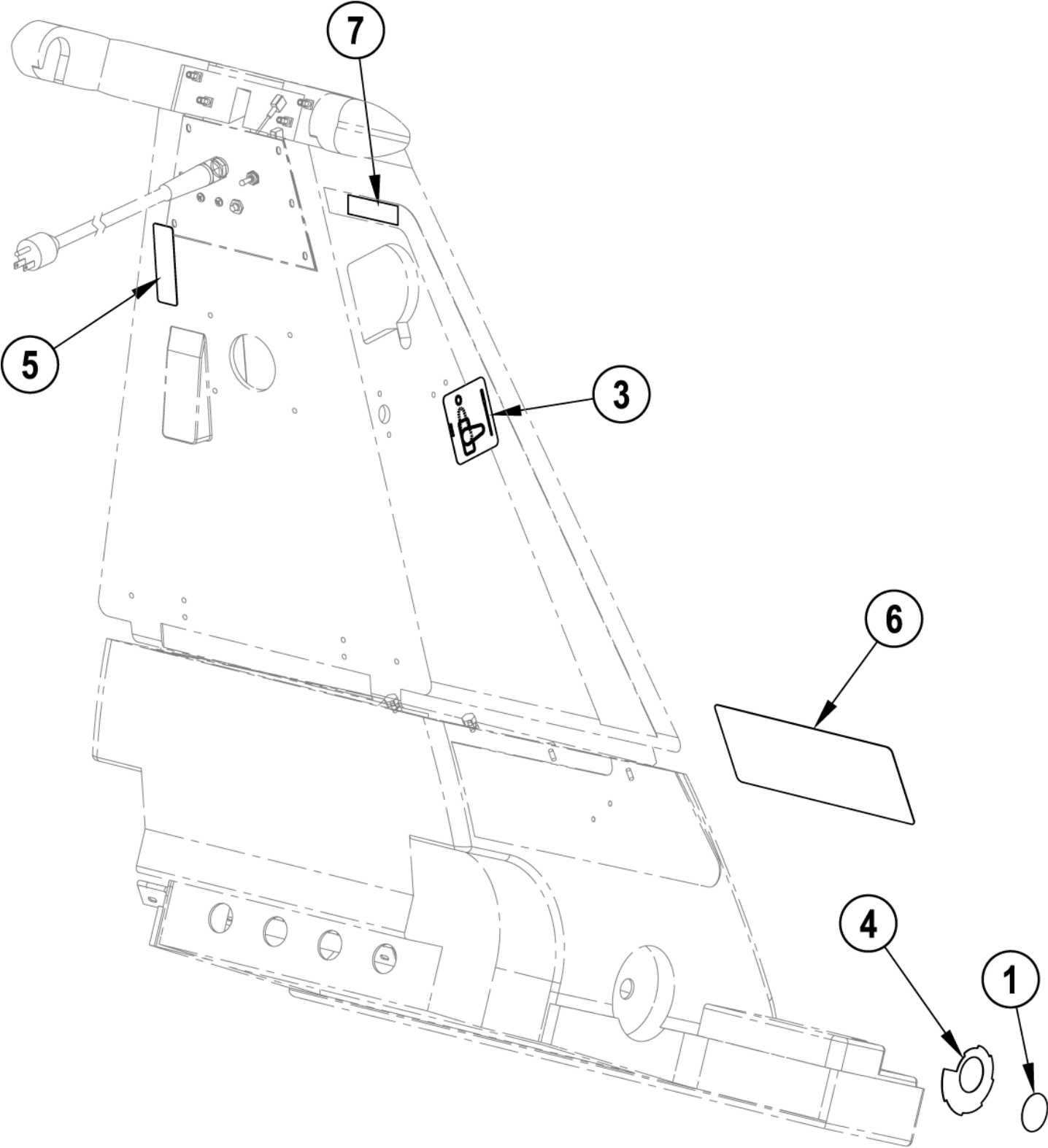
Decal System

GU 700A

08-01-2014

Part List ID
GU700A7

8



Decal System

GU 700A

08-01-2014

Part List ID
GU 700A7

9

Pos	Part no.	Qty	Description	
1	56015188	1	DECAL KNOB	
3	56016619	1	WAND DECAL	After May 2005
4	56057686	1	LABEL HEOGHT ADJUST	
5	56630714	1	LABEL, WARNING UPRT ENG/F	100V
6	56016368	1	DECAL- GU 700A	
7	56014119	6	DECAL GROUND SYMBOLHC398B	Before June 2005
7	56016475	1	DECAL WAND	Not shown

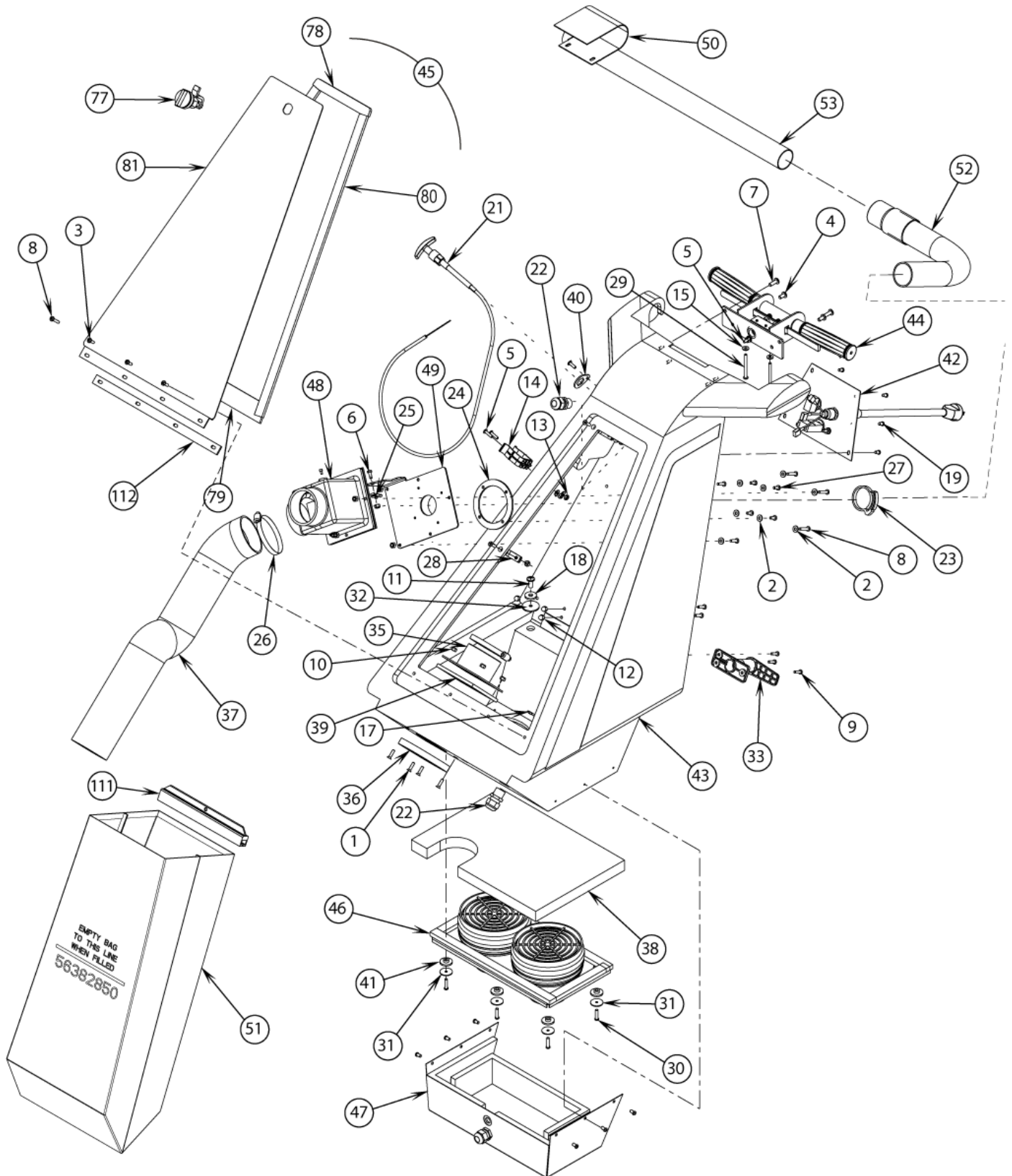
Handle system 1 (BEFORE SN1876507)

GU 700A

08-01-2014

Part List ID
GU700A9

10



Handle system 1 (BEFORE SN1876507)

GU 700A

08-01-2014

Part List ID
GU 700A9

11

Pos	Part no.	Qty	Description	
1	56001900	6	SCR FLT HD PHIL 10-24 X.	
2	56001954	11	Washer flat Sae 10	
3	56002124	3	Screw 5/8in,0,66,0,,0,0,0	
4	56002145	2	Scr Pan Hd Phil 1/4-20 x	
5	56002192	4	SCR PAN HD PHIL 10-24 X.	
6	56002503	1	Scr Hex Wsh Hd 10-24 x.5	
7	56002507	2	SCR PAN PHIL 1/4-20X0.75	
8	56002674	4	SCR PAN HD PHIL 10-24 X 1	
9	56001993	6	Screw	
10	56002832	17	Nut Hex Nyl	
11	56002793	2	SCR PAN PHIL 5/16-18 X 0.	
12	56009061	6	NUT, ACORN S.S. 10-24	
13	56002832	2	Nut Hex Nyl	
14	56331154	1	CLAMP, PLASTIC	
15	56009011	2	Washer	
17	56009095	2	Lock Nut	
18	56009122	2	WASHER, FLT .344X.938X.12	
19	56009247	12	SCR PN PHIL PLASTITE 10	
21	56331349	1	Cable	
22	56323135	2	Strain Relief	
23	56331304	1	CLAMP, HOSE__E00557	
24	56330909	1	GASKET	
25	56344265	1	CLAMP CABLE AS510A	
26	56352829	2	Clamp hose Sae 52	
27	56009082	4	Scr Panphilted Formblid10-	
28	56385564	3	CLAMP CABLE .625 E00129	
29	56003503	2	SCR PAN PHIL 10-24 X .50	
30	56003112	6	SCR PAN PHIL PLASTITE 10-14X1	
31	56009268	6	WSH FLT .187 X 1.00 X .06 2	
32	56009275	2	WASHER NEOPRENE	
33	56171112	2	CORD HOOK ASSY	
35	56034690	1	WELDMENT HOSE CONNECTOR	
36	56055054	1	GASKET FOAM	
37	56055081	1	VAC HOSE	
38	56055084	1	BAG GUARD	
39	56055182	1	GASKET FOAM	
40	56330921	1	PLATE	
41	56111384	6	RUBBER BUSHING	
42	56330902	1	ELECTRICAL ASSEMBLY (ø54- 63)	Pos. 54-63 - 240V
42	56330932	1	ELECTRICAL ASSY.	Pos. 54-63 - 100V
42	56330941	1	ELECTRICAL ASSY.	Pos. 54-63 - 240V/Arg
43	56330835	1	TANK UPPER MACHINED GU700A	
44	56330005	1	HANDLE ASSEMBLY (ø64-75)	Pos. 64-75

Handle system 1 (BEFORE SN1876507)

GU 700A

08-01-2014

Part List ID
GU 700A9

12

Pos	Part no.	Qty	Description	
45	56330006	1	DOOR ASSEMBLY (ø77-81),	Pos. 77-81
46	56330903	1	VACUUM MOTOR ASSEMBLY (ø8 2-90)	Pos. 82-90, 106-110 - 240V
46	56330937	1	VACUUM MOTOR ASSY 100V	Pos. 82-90, 106-109 - 100V
47	56330008	1	MUFFLER ASSEMBLY (ø91-95)	Pos. 91-95
48		1	NOTE COMMENT	BUTTERFLY ASSY. Pos. 96-105
49	56330021	1	TUBE WELDMENT	
50	56639107	1	SWITCHBOX COVER WELDMENT	
51	56330690	1	PAPER BAG 6 PACK GU 700A	Package of 6 - Optional - Not shown
51	56382850	1	BAG COLLECTOR	
52	56331152	1	HOSE ASSEMBLY VAC	
53	56331153	1	WAND	
111	56330608	1	CLIP FOR CLOTH BAG GU 700	for 56382850
112	56055218	1	GASKET FOAM	

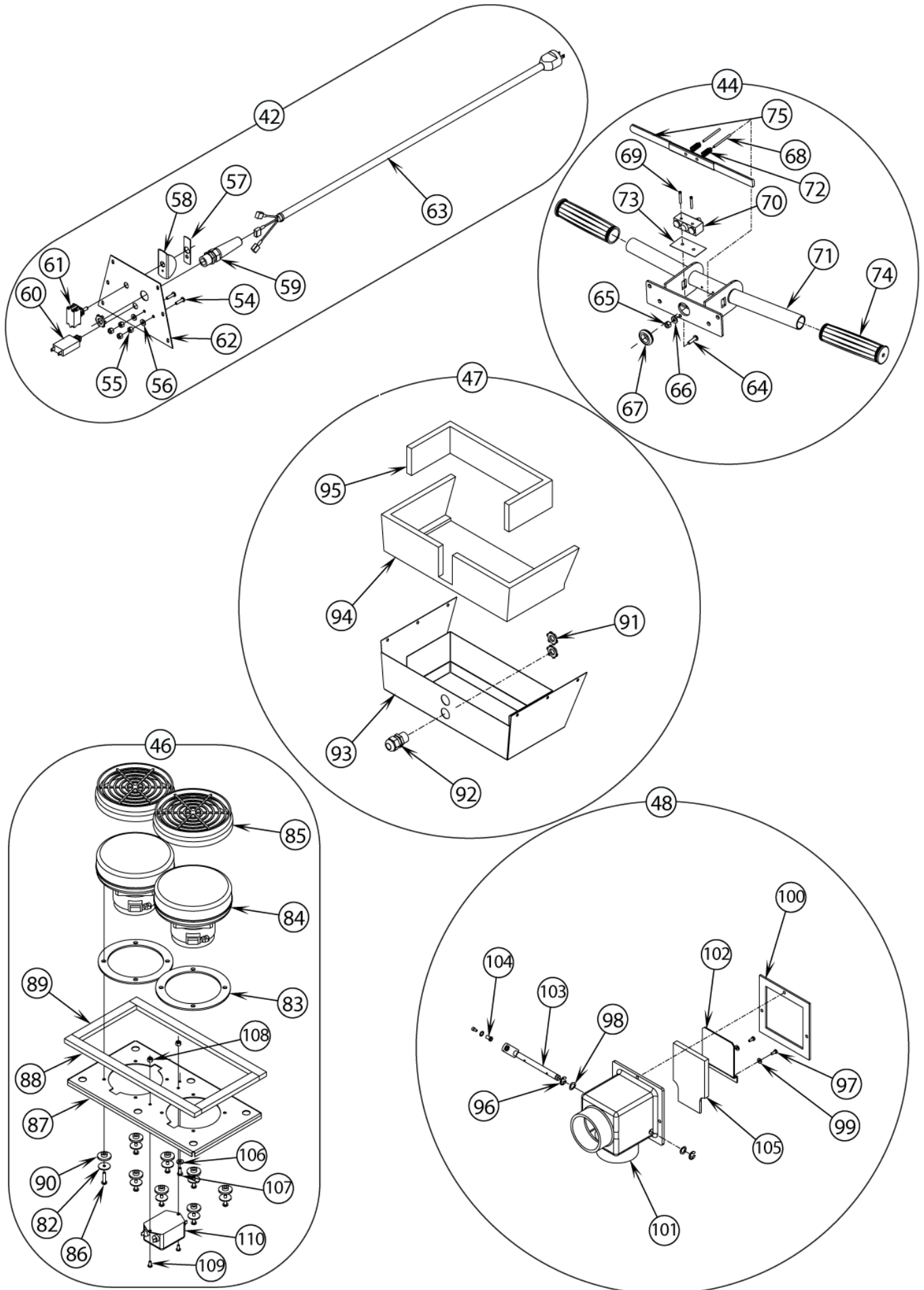
Handle system 2 (BEFORE SN1876507)

GU 700A

08-01-2014

Part List ID
GU700A11

13



Handle system 2 (BEFORE SN1876507)

GU 700A

08-01-2014

Part List ID
GU700A11

14

Pos	Part no.	Qty	Description	
42	56330902	1	ELECTRICAL ASSEMBLY (ø54- 63)	Pos. 54-63 - 240V
42	56330932	1	ELECTRICAL ASSY.	Pos. 54-63 - 100V
42	56330941	1	ELECTRICAL ASSY.	Pos. 54-63 - 240V / Arg
44	56330005	1	HANDLE ASSEMBLY (ø64-75)	Pos. 64-75
46	56330903	1	VACUUM MOTOR ASSEMBLY (ø8 2-90)	Pos. 82-90, 106-110 - 240V
46	56330937	1	VACUUM MOTOR ASSY 100V	Pos. 82-90, 106-109 - 100V
47	56330008	1	MUFFLER ASSEMBLY (ø91-95)	Pos. 91-95
48		1	NOTE COMMENT	BUTTERFLY ASSY. Pos. 96-105
54	56002192	2	SCR PAN HD PHIL 10-24 X .	
55	56002832	4	Nut Hex Nyl	
56	56009011	2	Washer	
57	56014016	1	DECAL ON/OFF	100V / 240V
58	56200352	1	GUARD SWITCH HP6A	100V / 240V
59	56009095	1	Lock Nut	Not shown
59	56323136	1	Strain Relief	
60	56387316	1	Circuit Breaker 10A	
61	56301636	1	Switch, Toggle	100V / 240V
62	56643059	1	COVER ACCESS	
63	56330030	1	POWER CORD, ARGENTINA	240V / Arg
63	56330042	1	CORD SET, 2.00 X 3 BLK - GU700A	100V - Not shown
63	56330907	1	CORD SET	240V
64	56002192	1	SCR PAN HD PHIL 10-24 X .	
65	56002832	1	Nut Hex Nyl	
66	56009011	1	Washer	
67	56497610	1	GROMMET	
68	56003502	2	PIN	
69	56002857	2	SCR PAN PHIL 6-32 X 0.88	
70	56026412	1	PUSH SWITCH	
71	56034663	1	WELDMENT HANDLE	
72	56046648	2	SPRING	
73	56046653	1	INSULATION PAPER	
74	56381707	2	HANDLE GRIP	
75	56050274	1	TRIGGER INTENTIONALLY OMITTED	
77	56055050	1	LATCH TWIST	
78	56055051	1	GASKET	
79	56055052	1	GASKET	
80	56055053	2	GASKET	
81	56639110	1	WELDMENT DOOR	
82	56009096	8	Washer flat .193x.875x.06	
83	56209325	2	Gasket HI405	
84	56009030	2	SCR PAN PHIL THD FOM 10-2	100V - Not shown
84	56220065	2	BRUSH SET	Not shown
84	56300411	2	Motor 230V 50 Cy Ha542C	240V

Handle system 2 (BEFORE SN1876507)

GU 700A

08-01-2014

Part List ID
GU700A11

15

Pos	Part no.	Qty	Description	
84	56330389	2	VAC MOTOR ASSY	100V
85	56330920	1	Micro Stat pk 2	Package of 2 - Optional
85	56384898	2	FILTER GU 700A	
86	56009209	8	SCR PAN PHIL THDFORM10-24 X1.00	
87	56055023	1	PLATE MOUNT VAC MOTORS	
88	56055041	2	GASKET FOAM	
89	56055042	2	GASKET FOAM	
90	56111384	8	RUBBER BUSHING	
91	56009095	2	Lock Nut	
92	56323135	2	Strain Relief	
93	56034668	1	WELDMENT MUFFLER	
94	56055117	1	GASKET FOAM	
95	56055118	1	GASKET FOAM	
96	56003269	2	Ring Ret Ext Type E Rein	
97	56009032	2	Screw	
98	56009045	2	Washer	
99	56009056	2	WSH, INT SHPRF #6	
100		1	NOTE COMMENT	GASKET
101		1	NOTE COMMENT	HOUSING ROUTED
102		1	NOTE COMMENT	PLATE
103	56331356	1	Level	
104	56442445	1	Wire Swivel	
105	56331155	1	SEAL	
106	56009011	1	Washer	3 on 100V
107	56009082	1	Scr Panphilted Formbid10-	
108	56002877	2	Nut Hex NyI Loc SS 8-32	
109	56001818	2	SCR PAN HD PHIL 8-32 X .3	
110	56244138	4	RECEPTACLE TAB .250FC336B	
110	56330923	1	RFI FILTER	

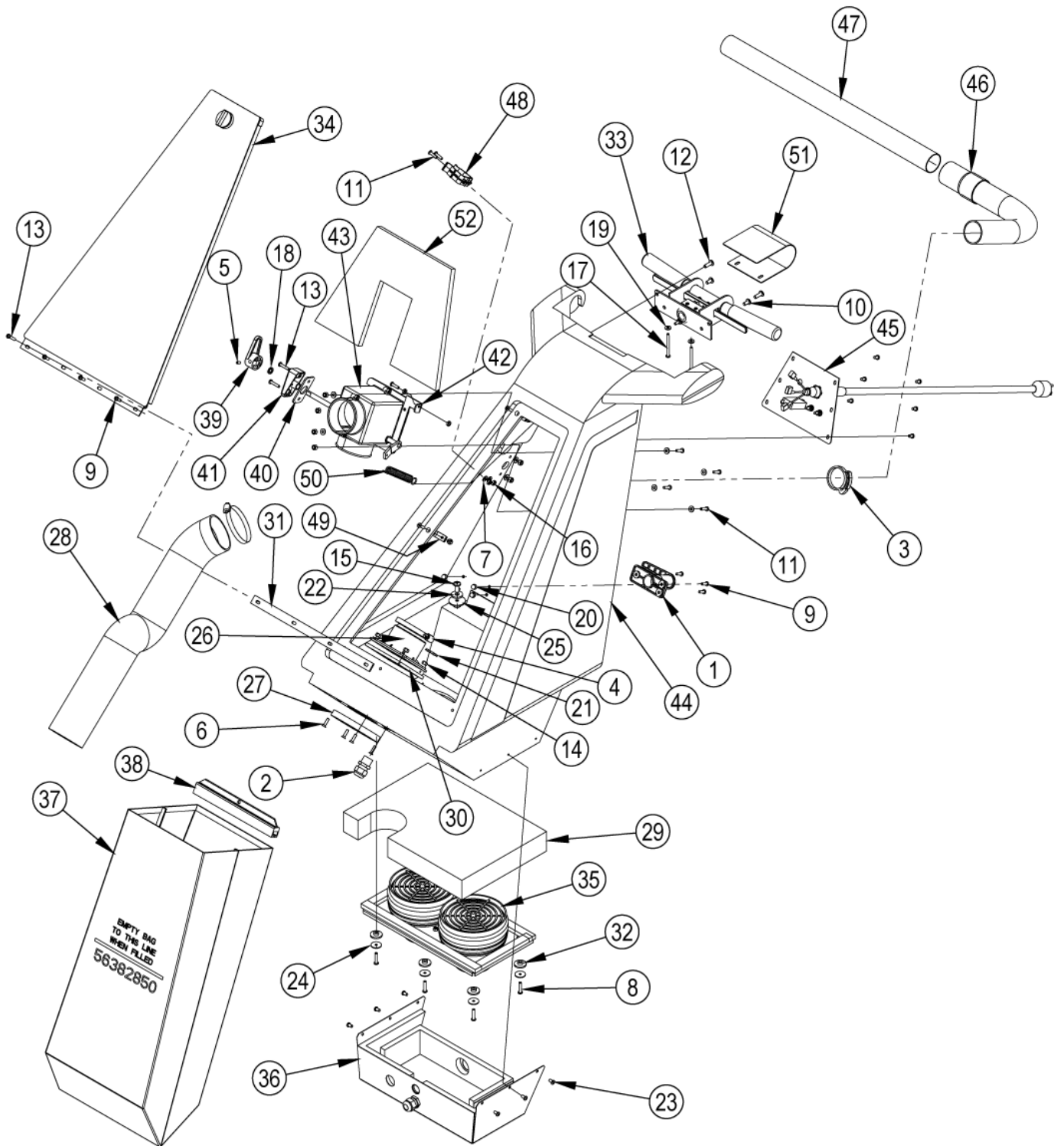
Handle system 1 (AFTER SN1876506)

GU 700A

08-01-2014

Part List ID
GU700A13

16



Handle system 1 (AFTER SN1876506)

GU 700A

08-01-2014

Part List ID
GU700A13

17

Pos	Part no.	Qty	Description	
1	56171112	2	CORD HOOK ASSY	
2	56323135	2	Strain Relief	
3	56331304	1	CLAMP, HOSE__E00557	
4	56352829	2	Clamp hose Sae 52	
5	56003123	1	SCR,SOC SET 10-24 X .38	
6	56001900	6	SCR FLT HD PHIL 10-24 X .	
7	56001954	10	Washer flat Sae 10	
8	56003112	6	SCR PAN PHIL PLASTITE 10-14X1	
9	56002124	9	Screw 5/8in,0,66,0,,0,0,0	
10	56002145	2	Scr Pan Hd Phil 1/4-20 x	
11	56002192	6	SCR PAN HD PHIL 10-24 X .	
12	56002507	2	SCR PAN PHIL 1/4-20X0.75	
13	56002674	3	SCR PAN HD PHIL 10-24 X 1	
14	56002768	16	Nut Hex Nyloc 10-24	
15	56002793	2	SCR PAN PHIL 5/16-18 X 0.	
16	56002832	2	Nut Hex Nyl	
17	56003503	2	SCR PAN PHIL 10-24 X .50	
18	56003706	1	O'RING	
19	56009011	2	Washer	
20	56009061	6	NUT, ACORN S.S. 10-24	
21	56009095	2	Lock Nut	
22	56009122	2	WASHER, FLT .344X.938X.12	
23	56009247	12	SCR PN PHIL PLASTITE 10	
24	56009002	6	Washer flat	
25	56009275	2	WASHER NEOPRENE	
26	56034690	1	WELDMENT HOSE CONNECTOR	
27	56055054	1	GASKET FOAM	
28	56055081	1	VAC HOSE	
29	56055084	1	BAG GUARD	
30	56055182	1	GASKET FOAM	
31	56055218	1	GASKET FOAM	
32	56111384	6	RUBBER BUSHING	
33	56330005	1	HANDLE ASSEMBLY (ø64-75)	
34	56055050	1	LATCH TWIST	
34	56055051	1	GASKET	
34	56055052	1	GASKET	
34	56055053	2	GASKET	
34	56330006	1	DOOR ASSEMBLY (ø77-81),	
34	56639110	1	WELDMENT DOOR	
35	56330903	1	VACUUM MOTOR ASSEMBLY (ø8 2-90)	
36	56330008	1	MUFFLER ASSEMBLY (ø91-95)	
37	56330690	1	PAPER BAG 6 PACK GU 700A	package of 6 / optional
37	56382850	1	BAG COLLECTOR	for 56382850

Handle system 1 (AFTER SN1876506)

GU 700A

08-01-2014

Part List ID
GU700A13

18

Pos	Part no.	Qty	Description
38	56330608	1	CLIP FOR CLOTH BAG GU 700
39	56330821	1	LEVER
40	56330822	1	GASKET BASE
41	56330823	1	BASE LEVER MOUNT
42	56330827	1	BRACKET SPRING MOUNT
43	56330830	1	VACUUM DIVERTER ASSY
44	56330835	1	TANK UPPER MACHINED GU700A
45	56330902	1	ELECTRICAL ASSEMBLY (ø54- 63)
45	56382882	1	ELECTRICAL ASSEMBLY 60HZ model 56330049 only
46	56331152	1	HOSE ASSEMBLY VAC
47	56331153	1	WAND
48	56331154	1	CLAMP, PLASTIC
49	56385564	3	CLAMP CABLE .625 E00129
50	56448112	1	Spring Ext .56X4.25Cv611A
51	56639107	1	SWITCHBOX COVER WELDMENT
52	56380337	1	GUARD PANEL FOAM TSBUS2009-1053

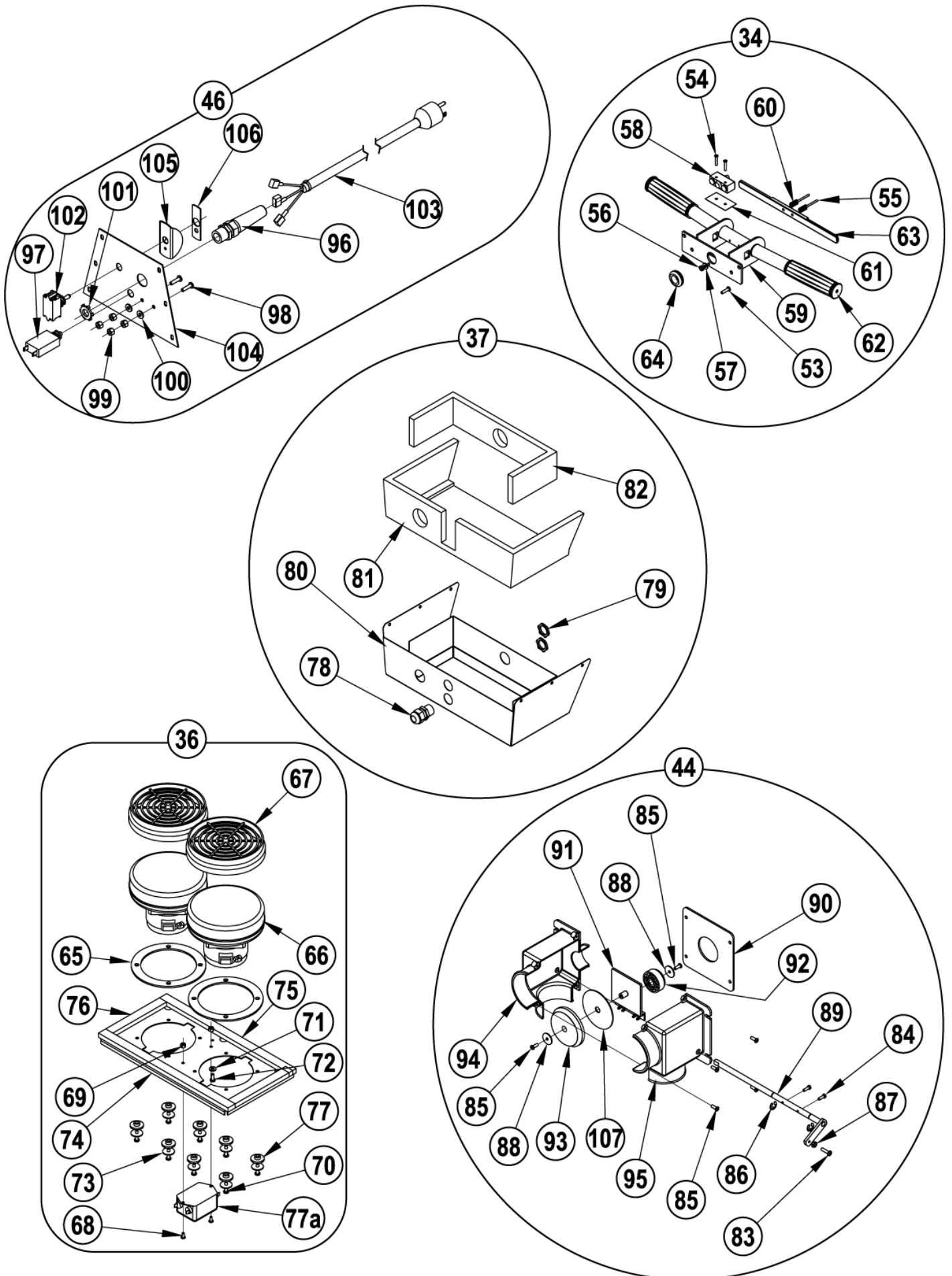
Handle system 2 (AFTER SN1876506)

GU 700A

08-01-2014

Part List ID
GU700A15

19



Handle system 2 (AFTER SN1876506)

GU 700A

08-01-2014

Part List ID
GU700A15

20

Pos	Part no.	Qty	Description	
34	56330005	1	HANDLE ASSEMBLY (ø64-75)	Pos. 53-64
36	56330903	1	VACUUM MOTOR ASSEMBLY (ø8 2-90)	Pos. 65-77A
37	56330008	1	MUFFLER ASSEMBLY (ø91-95)	Pos. 78-82
44	56330830	1	VACUUM DIVERTER ASSY	Pos. 83-95, 107
46	56330902	1	ELECTRICAL ASSEMBLY (ø54- 63)	Pos. 96-106
46	56382882	1	ELECTRICAL ASSEMBLY 60HZ	60HZ (96-106 / model 56330049 only)
53	56002192	1	SCR PAN HD PHIL 10-24 X .	
54	56002857	2	SCR PAN PHIL 6-32 X 0.88	
55	56003502	2	PIN	
56	56002832	1	Nut Hex Nyl	
57	56009011	1	Washer	
58	56026412	1	PUSH SWITCH	
59	56034663	1	WELDMENT HANDLE	
60	56046648	2	SPRING	
61	56046653	1	INSULATION PAPER	
62	56381707	2	HANDLE GRIP	
63	56050274	1	TRIGGER INTENTIONALLY OMITTED	
64	56760212	1	GROMMET 1.000__E00059	
65	56209325	2	Gasket HI405	
66	56220065	2	BRUSH SET	56300411
66	56300411	2	Motor 230V 50 Cy Ha542C	240V
67	56330920	1	Micro Stat pk 2	Package of 2 - Optional
67	56384898	2	FILTER GU 700A	
68	56001818	2	SCR PAN HD PHIL 8-32 X .3	
69	56002877	2	Nut Hex Nyl Loc SS 8-32	
70	56009209	8	SCR PAN PHIL THDFORM10-24 X1.00	
71	56009011	1	Washer	
72	56009082	1	Scr Panphilted Formbld10-	
73	56009096	8	Washer flat .193x.875x.06	
74	56055023	1	PLATE MOUNT VAC MOTORS	
75	56055041	2	GASKET FOAM	
76	56055042	2	GASKET FOAM	
77	56111384	8	RUBBER BUSHING	
78	56323135	1	Strain Relief	
79	56009095	2	Lock Nut	
80	56034668	1	WELDMENT MUFFLER	
81	56055117	1	GASKET FOAM	
82	56055118	1	GASKET FOAM	
83	56002192	1	SCR PAN HD PHIL 10-24 X .	
84	56002438	2	Screw Hex Wsh Hp5	
85	56003093	6	SCR PAN PHIL PLAST 8-15 X	
86	56003269	2	Ring Ret Ext Type E Rein	
87	56002832	1	Nut Hex Nyl	

Handle system 2 (AFTER SN1876506)

GU 700A

08-01-2014

Part List ID
GU700A15

21

Pos	Part no.	Qty	Description
88	56009096	2	Washer flat .193x.875x.06
89	56330824	1	SHAFT WELDMENT
90	56330828	1	GASKET HOUSING
91	56330829	1	PLATE DIVERTER
92	56330831	1	SEAL WAND VACUUM
93	56330832	1	SEAL BRUSH VACUUM
94	56330833	1	HOUSING LEFT HALF
95	56330834	1	HOUSING RIGHT HALF
96	56323136	1	Strain Relief
97	56387562	1	CIRCUIT BREAKER 4A
98	56002192	2	SCR PAN HD PHIL 10-24 X .
99	56002832	4	Nut Hex Nyl
100	56009011	2	Washer
101	56009095	1	Lock Nut
102	56200336	1	SWITCH TOGGLE DPST HP6 (model 56330049 only)
102	56301636	1	Switch, Toggle
103	362USP	1	PLUG UK (model 56330049 only)
103	56330907	1	CORD SET
104	56643059	1	COVER ACCESS
105	56200352	1	GUARD SWITCH HP6A
106	56014016	1	DECAL ON/OFF
77A	47700A	4	TERMINAL-FULLY INS PUSH-ON
77A	56330923	1	RFI FILTER

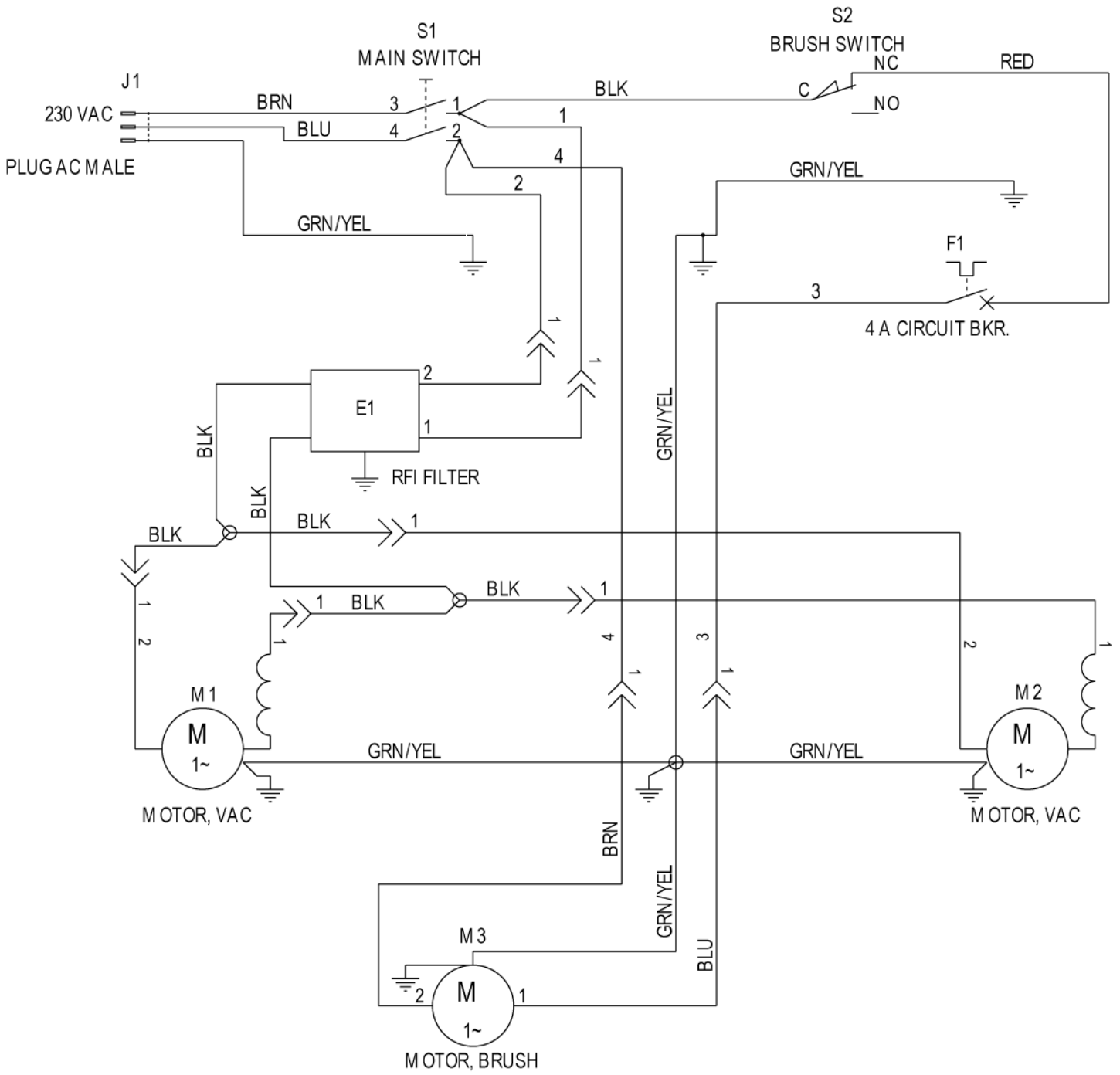
Wiring diagram - 240V

GU 700A

08-01-2014

Part List ID
GU700A17

22



Wiring diagram - 240V

GU 700A

08-01-2014

Part List ID
GU700A17

23

Pos	Part no.	Qty	Description	
E1	56330923	1	RFI FILTER	
F1	56387562	1	CIRCUIT BREAKER 4A	
J1	56330030	1	POWER CORD, ARGENTINA	240V / Arg
J1	56330907	1	CORD SET	240V
M1	56220065	2	BRUSH SET	Not shown
M1	56300411	1	Motor 230V 50 Cy Ha542C	
M2	56220065	2	BRUSH SET	Not shown
M2	56300411	1	Motor 230V 50 Cy Ha542C	
M3	56330013	1	Motor 1/3 120v	60hz
M3	56330908	1	BRUSH MOTOR	
S1	56200336	1	SWITCH TOGGLE DPST HP6	(model 56330049 only)
S1	56301636	1	Switch, Toggle	
S2	56026412	1	PUSH SWITCH	

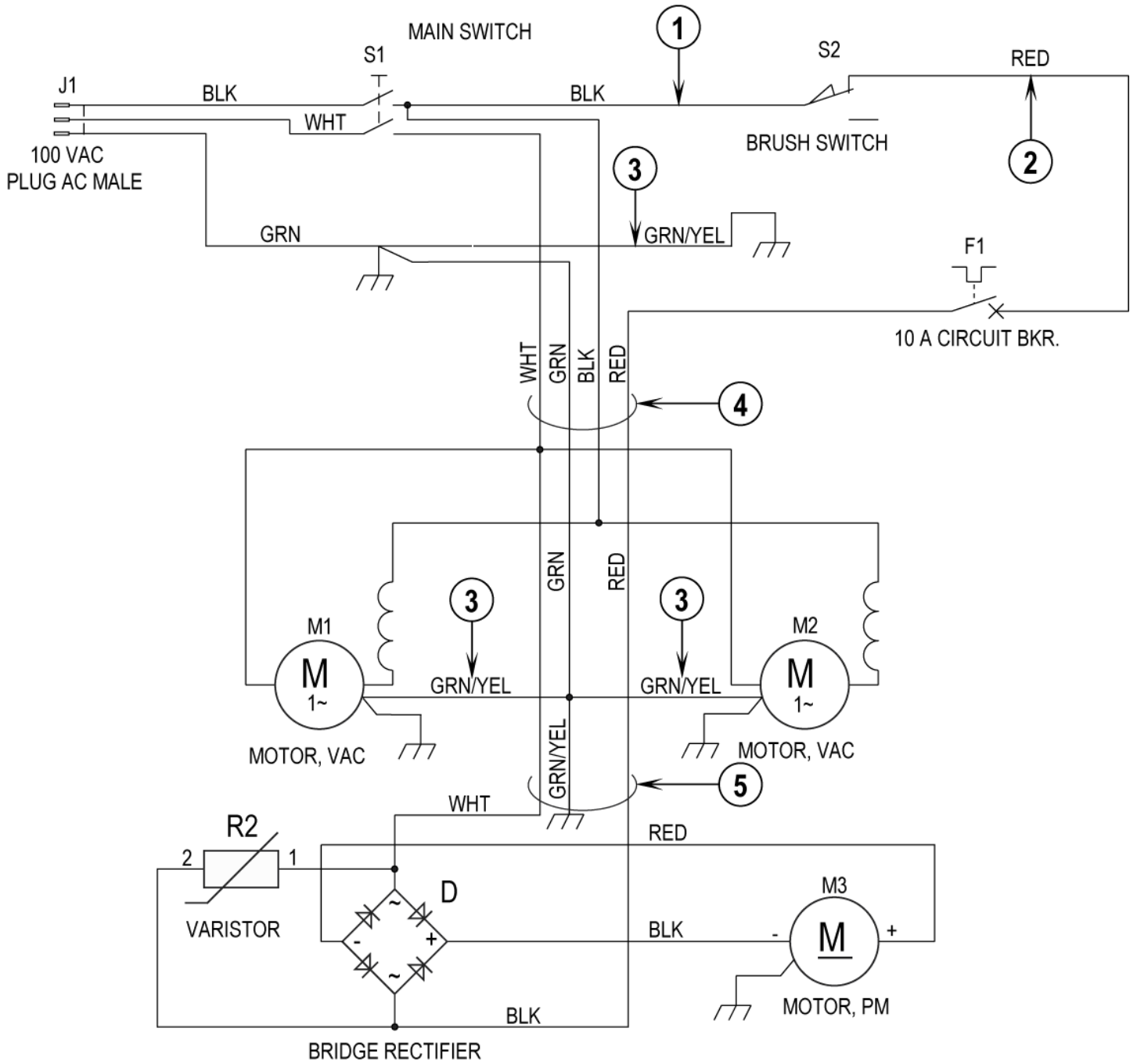
Wiring diagram - 100V

GU 700A

08-01-2014

Part List ID
GU700A19

24



Wiring diagram - 100V

GU 700A

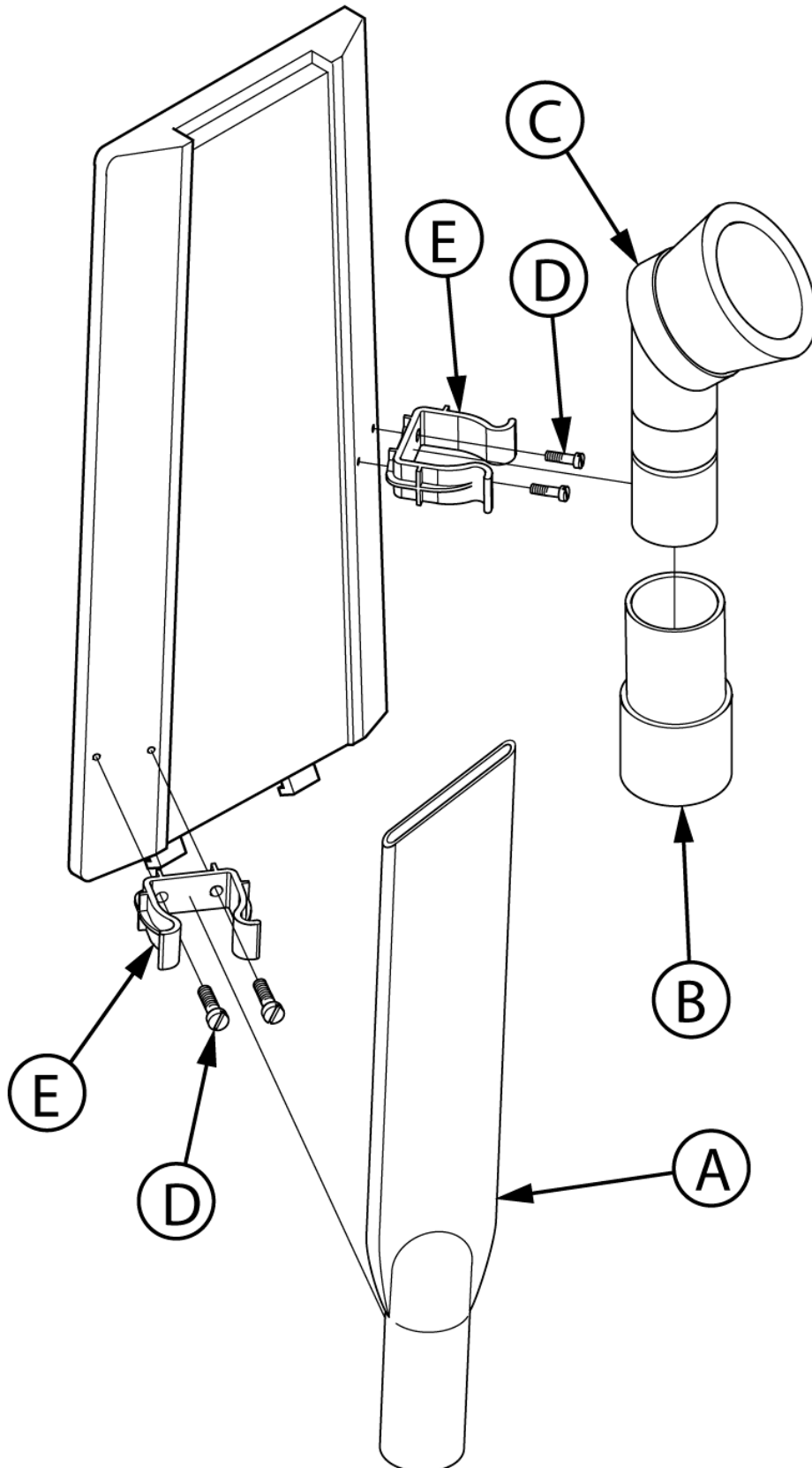
08-01-2014

Part List ID
GU700A19

25

Pos	Part no.	Qty	Description	
1	56330911	1	WIRE RING/RING	
2	56025648	1	WIRE ASSY. E00206	
3	56250150	3	WIRE ASSY.,>14X8 G/Y_E0021	
4	56330043	1	CORD ASSY., 14-4	
5	56025903	1	CORD ASSEMBLY	100V, 120V
5	56163228	3	WIRE NUT CLOSED END SPLICE I	Not shown
F1	56387316	1	Circuit Breaker 10A	
J1	56330042	1	CORD SET, 2.00 X 3 BLK - GU700A	
M1	56220065	2	BRUSH SET	Set for 56330389 - Not shown
M1	56330389	1	VAC MOTOR ASSY	
M2	56220065	2	BRUSH SET	Set for 56330389 - Not shown
M2	56330389	1	VAC MOTOR ASSY	
M3	56330928	2	BRUSH, CARBON (2 REQ'D)	Set for 56330926 - Not shown
M3	56330929	2	BRUSH, SPRING (2 REQ'D)	Spring for 56330926 - Not shown
M3	56330930	2	BRUSH, COVER (2 REQ'D)	Cover for 56330926 - Not shown
M3		1	NOTE COMMENT	Brush motor, 1/3hp
R2	56387554	1	Varistor Assy .230V	
S1	56301636	1	Switch, Toggle	
S2	56026412	1	PUSH SWITCH	

FIGURE 2



56323296 - Vacuum Tool Kit

GU 700A

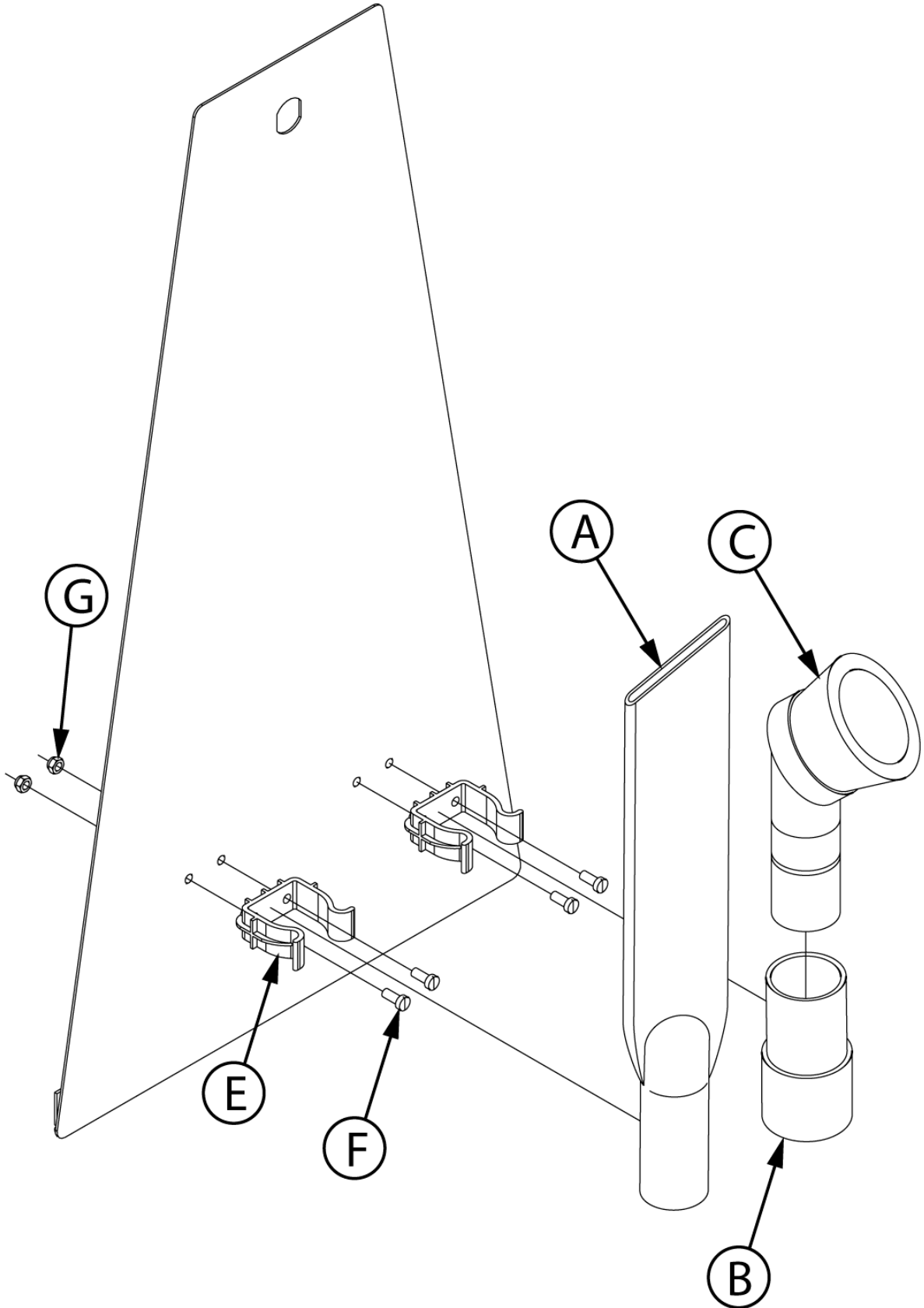
08-01-2014

Part List ID
IS56040626F-IGZ

27

Pos	Part no.	Qty	Description
-	56323296	1	TOOL KIT CARPETWIN 16XP
A	56701089	1	CREVICE TOOL
B	56323214	1	ADAPTER TOOL
C	56100377	1	TOOL DUSTING
E	56392171	2	Clamp plastic
F	56001993	4	Screw
G	56002832	4	Nut Hex Nyl

FIGURE 4



56323296 - Vacuum Tool Kit

GU 700A

08-01-2014

Part List ID
IS56040626F-IG4

29

Pos	Part no.	Qty	Description
A	56701089	1	CREVICE TOOL
B	56323214	1	ADAPTER TOOL
C	56100377	1	TOOL DUSTING
E	56392171	2	Clamp plastic
F	56001993	4	Screw
G	56002832	4	Nut Hex Nyl

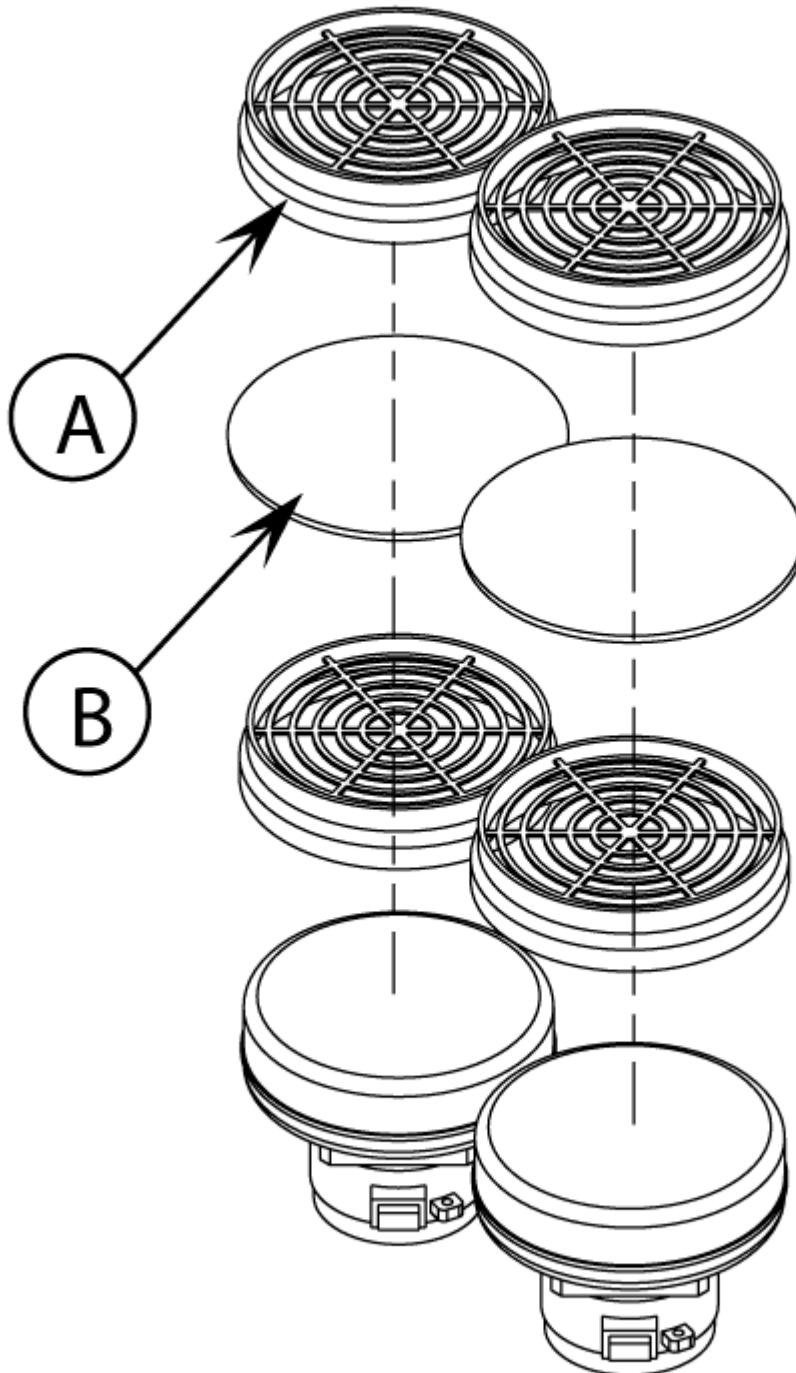
56330920 - Microstat Filter Kit

GU 700A

08-01-2014

Part List ID
IS56040706

30



56330920 - Microstat Filter Kit

GU 700A

08-01-2014

Part List ID
IS56040706

31

Pos	Part no.	Qty	Description
A	56384898	2	FILTER GU 700A
B	56330922	1	FILTER MICRO 2PK 7.00DIA PKG OF 2