

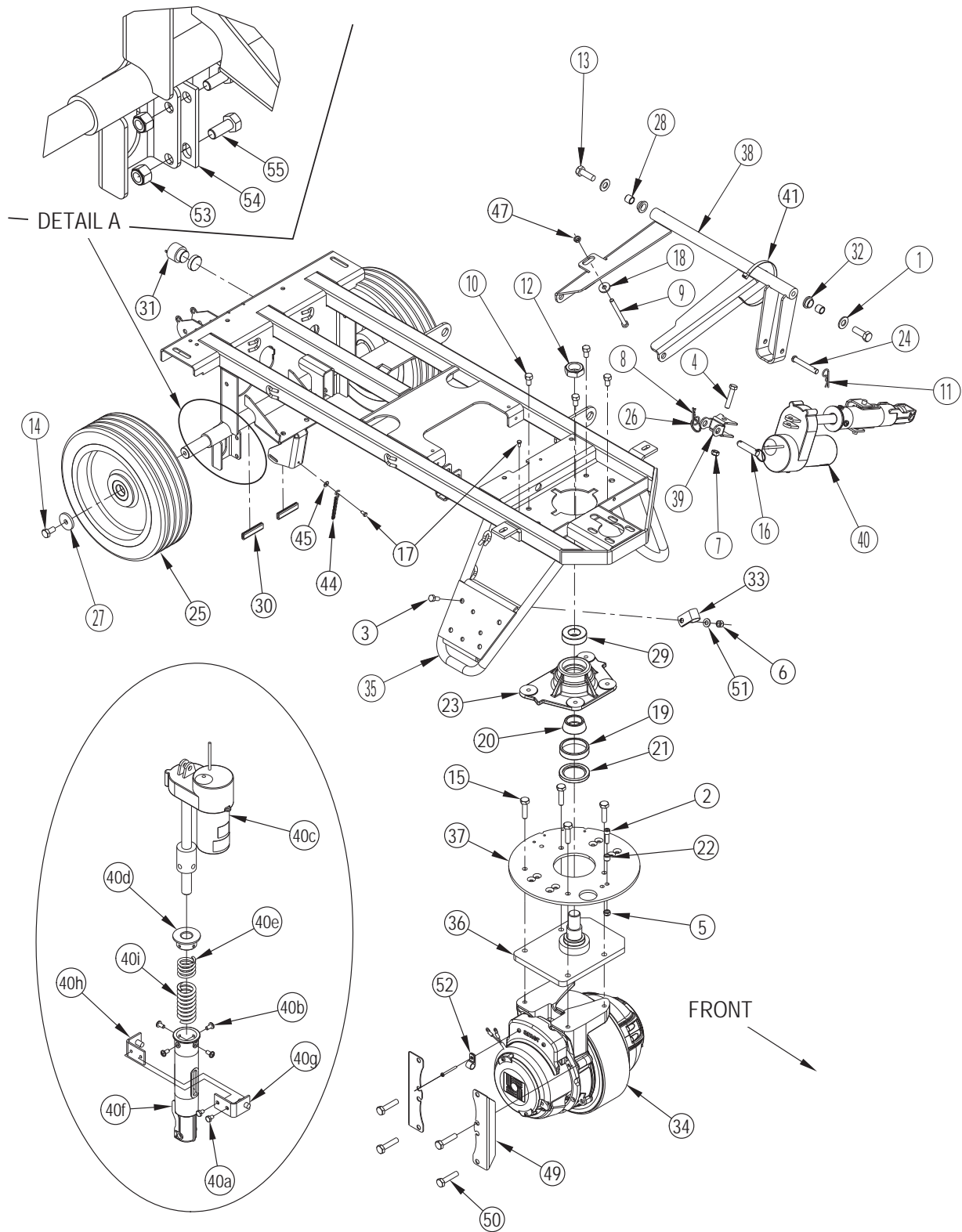
PARTS LIST



2023.05.10

TABLE OF CONTENTS

Chassis system	1
Control system	4
Decal system	6
Electrical system	8
Recovery system	11
Scrub system-cylindrical	13
Scrub system-cylindrical-skirt assemblies	15
Scrub system-BR 755 disk	17
Scrub system-BR 855 disk	20
Scrub system-disk-skirt assemblies	23
Solution system	25
Squeegee system	27
Squeegee assembly - BR 755	29
Squeegee assembly - BR 855	31
Wiring diagram	33
Optional kits and accessories	35
Brush selector guide-disk	38
Brush selector guide-cylindrical	40
Recommended spare parts	42
56314312/56422162 - Seat Belt Kit	44
56314981/56601527 - Battery Watering Kit, fig. 1	46
56314981/56601527 - Battery Watering Kit, fig. 2	48
56382635 - Squeegee spring kit	50
56601080 - On Board Charger Kit EU	52
56601082 - EDS Onboard Chemical Kit	54
56601085 - Beacon Kit	56
56601087 - Vacuum Wand Kit	58
56601090 - Dual Vac Kit	60
56601700 - BR 755 Disk Deck Assy Kit	62
56601701 - BR 855 Disk Deck Assy Kit	64
56601756 - BR755 Cylindrical Deck Assy Kit	66
56601082 - ECOFLEX CHEMICAL KIT	68

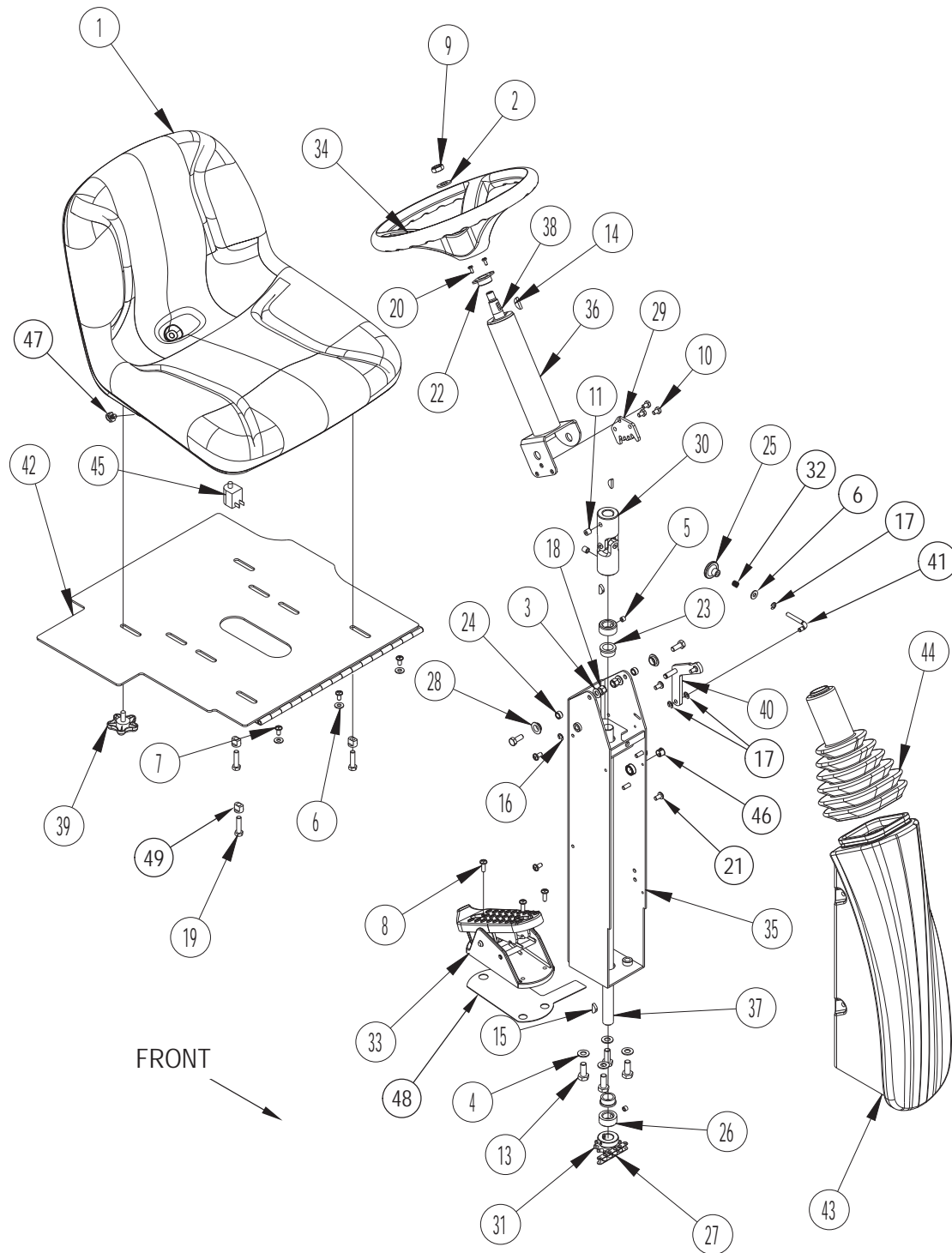


No.	Part No.	Qty.	Description	Part Note
1	56001879	2	WSH FLAT SAE 1/2	
2	56002129	1	SCR-SOC HD 5/16-18 X 1.00	
3	56002667	1	SCREW HEX HEAD 5/16-18	
4	56002684	1	BOLT 3/8" X 1 3/4"	
5	56002826	1	NUT HEX NYLOC THIN 5/16-1	
6	56002701	1	HEX NUT 5/16 X18	
7	56002841	1	NUT HEX NYL LOC-THIN 3/8-	
8	56002959	1	PIN	
9	56003008	1	SCR HEX THD TO HD	
10	56003040	4	SCR HEX LOC 3/8-16 X .62	
11	56003120	1	PIN COTTERHAIR 0,915*3.75	
12	56003220	1	NUT,HEX NYL THIN 1-14 UNF	
13	56003412	2	SCR HEX NYL LOC M12	
14	56003442	2	SCR HEX NYL LOC M10-1.5 X	
15	56003491	4	SCR HEX M10-1.50 X 40MM	
16	56003679	1	PIN RING .50 X 1.63	
17	56009012	2	SCR HEX THD FORM 10	
18	56009122	1	WASHER, FLT .344X.938X.12	
19	56158143	1	BEARING TR CP 2.44 E00135	
20	56158151	1	BEARING TR CN 1.250V51Y	
21	56171081	1	SEAL SHAFT 1.750 PE202S	
22	56244941	1	BUSHING .31X.50X.40FC428E	
23	56314032	1	BLOCK BEARING	
24	56003803	1	PIN-CLEVIS SS .375 X 2.50	
25	56382693	2	WHEEL	[1]
26	56317071	1	RING	
27	56367117	2	WASHER FLAT .40X1.50X.18	
28	56367206	2	BUSHING	
29	56378380	1	BEARING BALL .9843 CR25D	
30	56412122	2	TRIM EDGE	
31	56412177	1	HORN/BACKUP ALARM	
32	56420160	2	BEARING FLANGE E00201	
33	56469380	1	CLAMP CABLE .75 E00129	
34	56601050	1	MOTOR DRIVE WHEEL	
	56601472	1	TIRE WITH HUB	
	56601473	1	MOTOR	
	56601509	1	CARBON BRUSH KIT	
	56601471	1	TIRE	
	56601507	1	PARKING BRAKE	
	56422174	1	TIRE PULLER KIT	
	56504482	1	COVER DRIVE MOTOR	
	56504481	1	COVER GEARBOX MOTOR	
	56380310	1	KIT BRAKE LEVER	
35	56114199	1	CHASSIS WELDMENT	
36	56601077	1	SPINDLE WELDT	
37	56314116	1	PLATE, STEERING	
38	56601239	1	DECK LINKAGE WELDT	
39	56601328	1	YOKE ACTUATOR	
40	56601432	1	LIFT ACTUATOR ASSEMBLY	
40a	56009019	2	SCR HEX THD FORM	
40b	56009062	4	SCR PHIL THD1/4-20X-20X.5	
40c	56393303	1	ACTUATOR MOTOR BRUSH LIFT	
40d	56396268	1	SPRING HOUSING GUIDE	
40e	56412071	1	COMPRESSION SPRING	
40f	56412262	1	HOUSING SPRING	
40g	56420019	1	NUT RETAINER WELDMENT	
40h	56420020	1	NUT RETAINER WELDMENT	
40i	56601470	1	COMPRESSION SPRING	

No.	Part No.	Qty.	Description	Part Note
41	56477613	1	CABLE TIE E00549 RE409S	
44	56601716	1	GROUND CHAIN	
45	56009011	1	WSH INT SHPRF 10	
47	56009086	1	NUT, HEX JAM 5/16-18	
49	56344100	2	BRACKET WHEEL	
50	56003445	4	SCR HEX NYL LOC M10-1.50X	
51	56002220	1	WSH FLT STD 5/16	
52	56486112	1	CLAMP, CABLE	
53	56002856	2	5/16-18 NYLOC NUT	[2]
54	56601675	1	BRACKET	[2]
55	56003925	2	SCR-HEX LOC SS 5/16-18	[2]

Part Notes:

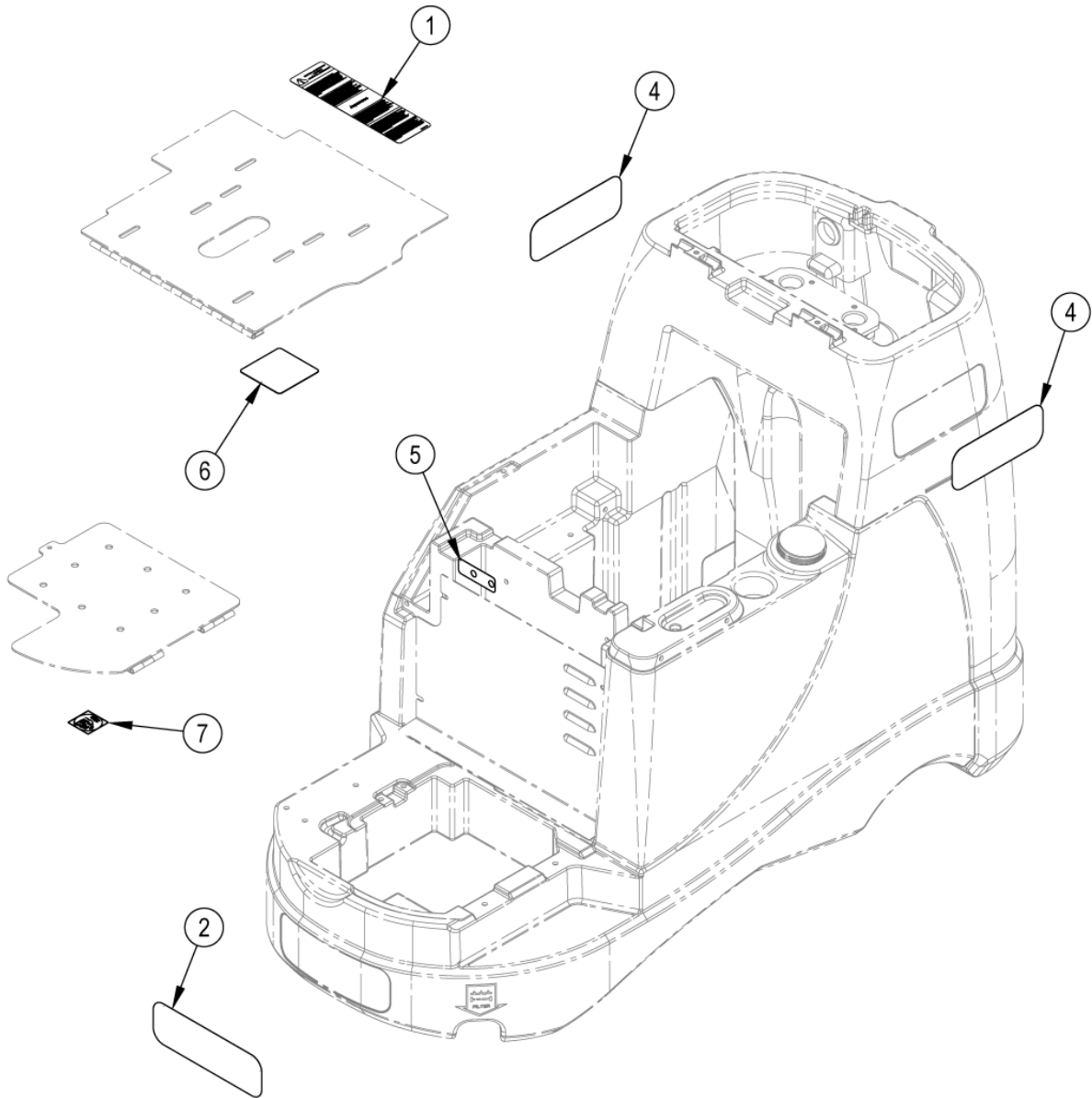
- [1] - TSB-FC-2015-033 Various machines rear wheel hub cracking
- TSB-FC-2017-059 Squeegee stop brackets and DE TSB-FC-2017-059 BR755 855 Scrubtec R6 Saugfuß Endanschlag
- [2] - TSB-FC-2017-059 Squeegee stop brackets
- DE TSB-FC-2017-059 BR755 855 Scrubtec R6 Saugfuß Endanschlag



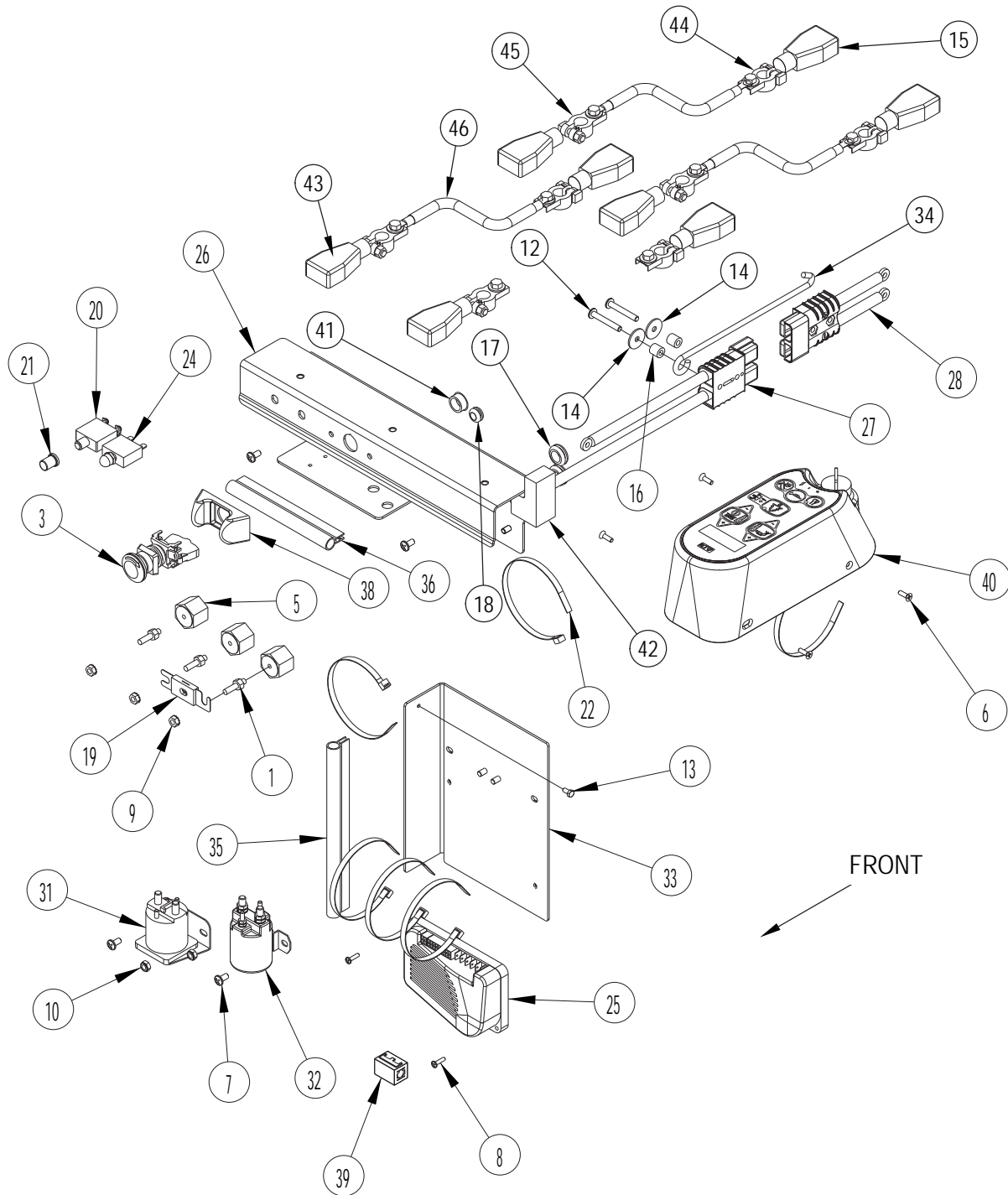
No.	Part No.	Qty.	Description	Part Note
1	56394342	1	SEAT-MID BACK-11.25IN MOUNT	[1]
2	56001879	1	WSH FLAT SAE 1/2	
3	56001939	2	5/16 FLAT WASHER	
4	56002063	4	WSH FLT SAE 3/8	
5	56002086	2	SCR SOC SET 5/16-18 X .25	
6	56002859	4	WASHER FLAT S/S 1/4	[2]
7	56003119	3	SCR PAN PHIL SS 1/4 20	[2]
8	56002957	3	SCR PAN PHIL SS 1/4 20	
9	56002843	1	NUT HEX NYL LOC-THIN 1/2-	
10	56002933	3	SCR HEX LOC 1/4 20 X .38	
11	56003081	2	SCR SOC SET LOC 3/8 16	
12	56003179	2	SCR,HEX THD/HD M8-1.25X20	
13	56003186	4	SCR HEX THD/HD M10 1.50	
14	56003227	1	KEY WDF 61	
15	56003228	3	KEY, WDF #606	
16	56003261	1	RING RET EXT TYPE E	
17	56003268	3	RING RET EXT TYPE E	
18	56003389	2	NUT HEX NYL LOC M8-1.25	
19	56001834	3	SCR HEX HD 5/16-18 X 1.25	[2]
20	56002523	2	SCR PAN HD PHIL HP5 8	
21	56009062	4	SCR PHIL THD1/4-20X-20X.5	
22	56100393	1	BUSHING	
23	56250414	2	FLANGE BEARING	
24	56320595	2	BUSHING .31X.50X.28HC18M	
25	56362778	1	KNOB 1.25X1/4-28 CA29M	
26	56367095	2	COLLAR SHAFT	
27	56412198	1	CHAIN ROLLER	
28	56413211	2	BEARING FLANGE	
29	56413658	1	RATCHET STEERING COLUMN	
30	56454081	1	U-JOINT	
31	56471148	1	SPROCKET SMALL	
32	56578222	1	SPRING COM .36X.875	
33	56385084	1	FOOT PEDAL ASSEMBLY	[3]
34	56601060	1	STEERING WHEEL	
35	56601850	1	LOWER COLUMN WELDT	
36	56601169	1	UPPER COLUMN WELDMENT	
37	56601223	1	SHAFT LOWER STEERING	
38	56601224	1	SHAFT UPPER STEERING	
39	56601271	1	KNOB 5/16 STUD	
40	56601284	1	STEERING PAWL WELDMENT	
41	56601292	1	PULL LEVER	
42	56601362	1	SEAT PANEL WELDMENT	
43	56601484	1	SHROUD STEERING COLUMN	
44	56601500	1	BOOT STEERING	
45	7-82-00050	1	SWITCH SEAT	
46	56601683	1	PLUG-CAP	
47	56315382	1	CLIP CONDUIT	
48	56601601	1	FOOT PEDAL PLATE	
49	56383230	3	FLANGED BUSHING SEAT	
			Service Kits	
K1	56114304	1	HARDWARE KIT-SEAT	

Part Notes:

- [1] - Seat 8-69-00022 (steel seat pan) has been replaced by Seat 56394342 (plastic seat pan) in production. Please order Seat Kit 56383240 when replacing Seat 8-69-00022.
- [2] - K1
- [3] - K1
TSB-FC-2017-053 Abnormal acceleration or deceleration and DE TSB-FC-2017-053 neues Fahrpedal mit Justierscheibe



No.	Part No.	Qty.	Description	Part Note
01	56014601	1	DECAL CAUTION	
02	56016731	1	DECAL NILFISK	
04	56601303	2	DECAL BR755	
04	56601305	2	DECAL BR855	
05	56601414	1	DECAL CIRCUIT BREAKER	
06	56601416	1	DECAL BATTERY WIRING	
07	56380254	1	DECAL OPEN WHEN CHARGING	



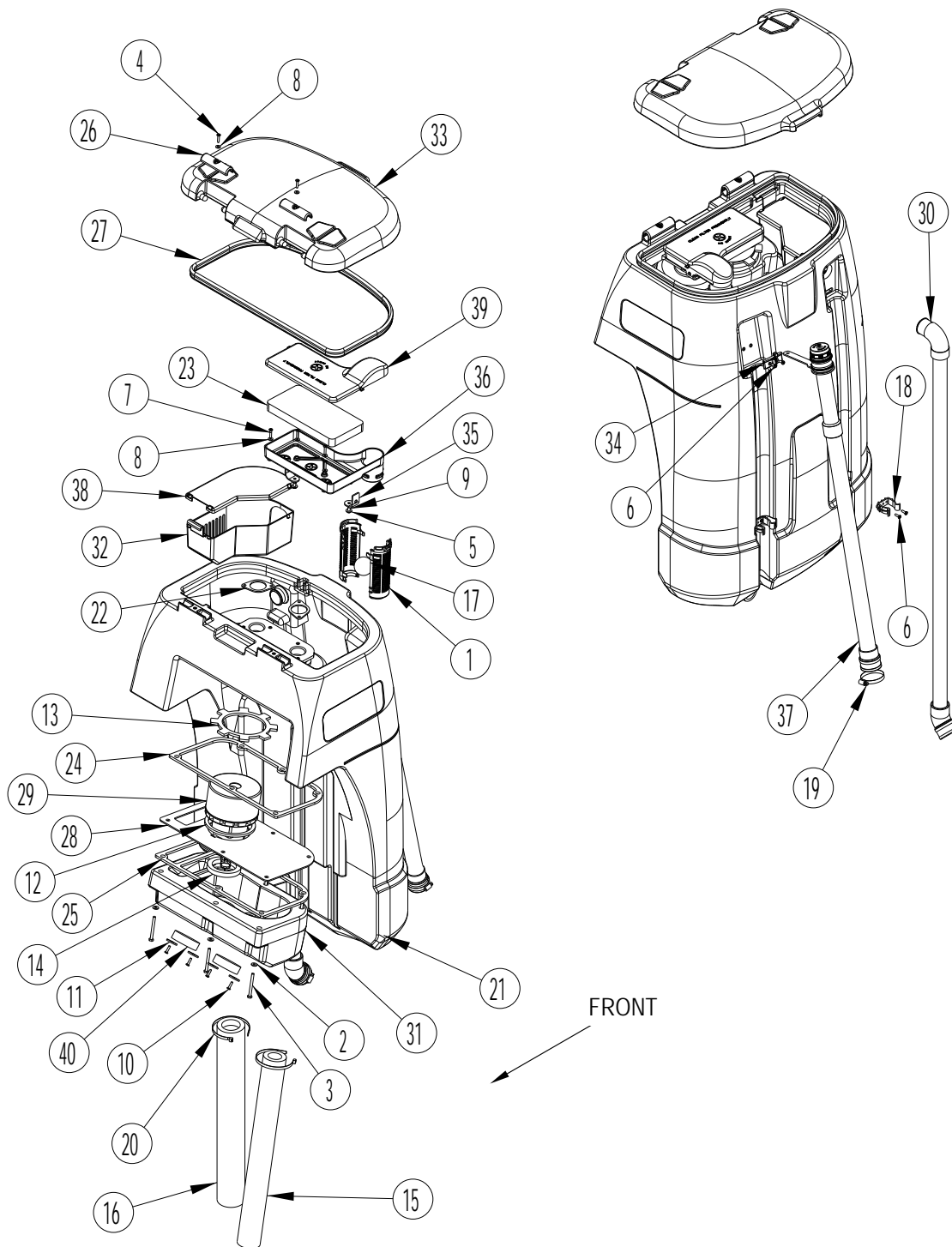
No.	Part No.	Qty.	Description	Part Note
1	83302a	3	STUD 1/4-20	
3	56407130	1	SWITCH (EMERGENCY DISC.)	[1]
5	56469858	3	INSULATED STANDOFF	
6	56003056	4	SCR FLT PHIL SS 10-24 X	
7	56002828	4	SCR PAN PHIL LOC 1/4-20 X .6	[2]
8	56002146	2	SCR PAN PHIL 8-32 X .62	
9	56002561	3	NUT KEPS 1/4-20	
10	56002840	2	NUT HEX NYL LOC-THIN	
12	56002997	2	SCR PAN PHIL 1/4-20 X	
13	56009012	1	SCR HEX THD FORM 10	
14	56009060	2	WSH FLT SS	
15	2-00-05173	4	BOOT PROTECTIVE BLK	
16	56046309	2	SPACER PHENOLIC	
17	56157376	2	GROMMET 1 OD X 9/16 ID	
18	56321540	1	GROMMET .500 HC42D	
19	56412089	1	FUSE 150 AMP	[3]
20	56454429	1	70A CIRCUIT BREAK	[4]
21	56459369	1	BOOT RESET BUTTON E00586	
22	56477613	9	CABLE TIE E00549 RE409S	
24	56507644	1	CIRCUIT BREAKER	[5]
25	56601061	1	SPEED CONTROL	[6]
26	56601854	1	PANEL	
27	56601171	1	CONNECTOR ASM	
28	56601172	1	CONNECTOR ASM	
29	56601174	1	HARNESS MAIN	[7]
30	56344205	1	HARNESS-TRACTION	[7]
31	56601183	1	CONTACTOR 24V 100 AMP	[8]
32	56412179	1	CONTACTOR 24 VDC	[9]
33	56601185	1	PANEL	
34	56601215	1	PROP ROD SEAT	
35	56601251	1	GASKET	
36	56601252	1	GASKET	
37	56601431	1	CABLE ASSEMBLY	[7]
38	56601434	1	EMERGENCY BUTTON GUARD	
39	40849A	1	SUPPRESSOR EMI SPLIT	
40	56384462	1	INTERFACE PANEL ASSY	[10]
	56601096	1	KIT INTERFACE PANEL	[11]
	56303553	1	KEY SWITCH ASSEMBLY	[12]
	56303526	1	KEY, REPLACEMENT SET OF 2	[13]
41	56900144	1	PLUG CAP E00046	
42	56601600	1	FOAM INSERT	
43	2-00-05171	4	BOOT PROTECTIVE RED	
44	9100000883	4	CLAMP BATTERY POLE	
45	9100000882	4	CLAMP BATTERY POLE PLUS	
46	56409485	3	CABLE ASSY.1 X 15.00	

Part Notes:

- [1] - S4
- [2] - GUARANTEE DATE EXPIRED
- [3] - F1
- [4] - CB1
- [5] - CB2
- [6] - A2
- [7] - NOT SHOWN
- [8] - K1
- [9] - K2

- [10] - A1
TSB-FC-2023-002 BR755 CYL deck
DE TSB-FC-2023-002 BR755 CYL Deck springt auf dem Boden
- [11] - Membrane Switch, Interface Panel - NOT SHOWN
- [12] - S1 - NOT SHOWN
- [13] - NOT SHOWN

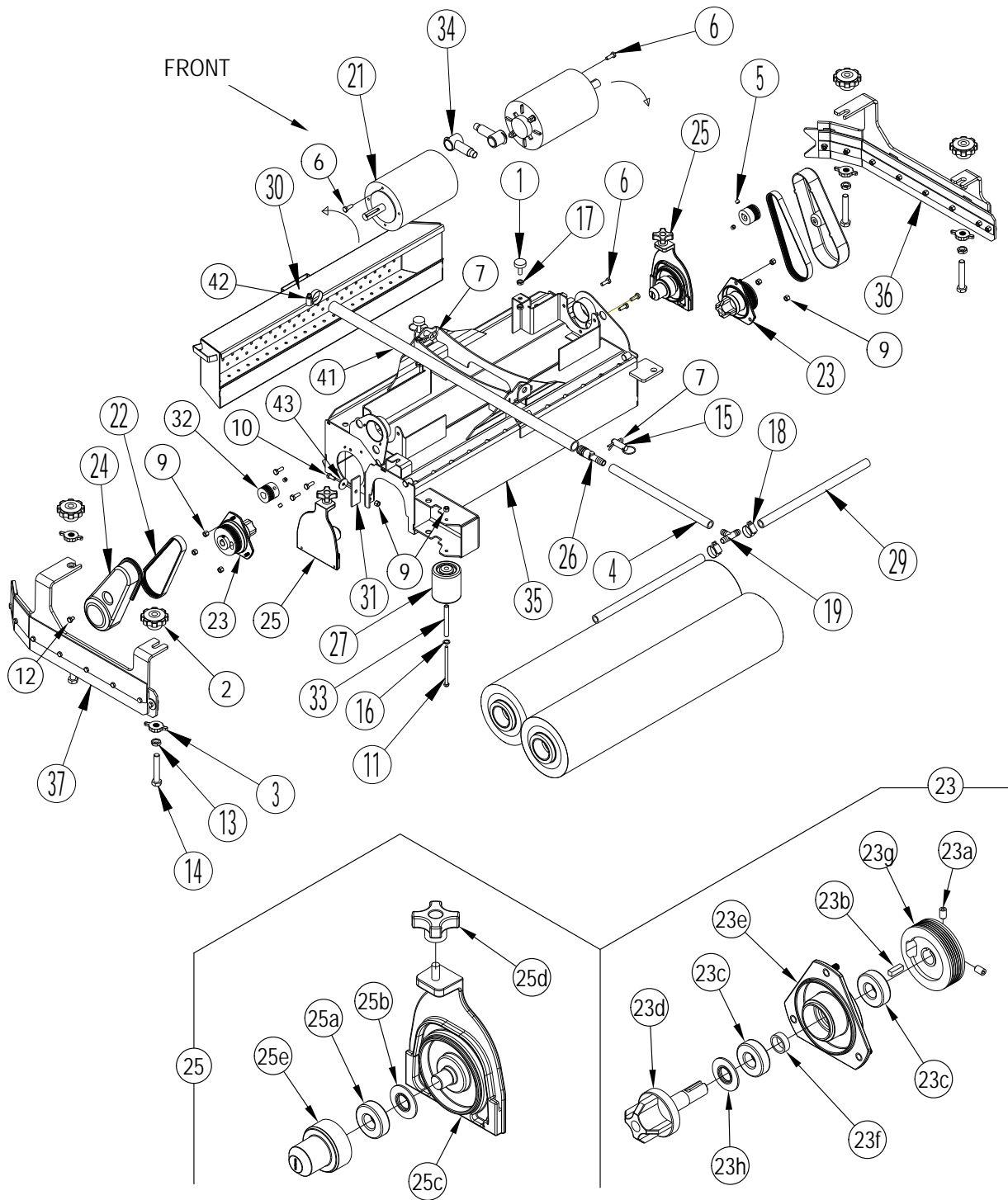
for 56303553



No.	Part No.	Qty.	Description	Part Note
1	56324497	2	FLOAT CAGE (2 reqd)	
2	56002098	6	WASHER	
3	56003867	6	SCR-HEX LOC 1/4-20 X 3.00	
4	56003951	2	SCR-PAN PHIL LOC SS	
5	56002859	2	WASHER FLAT S/S 1/4	
6	56002896	6	SCR PAN PHIL SS 10-24 X 0	
7	56002894	4	SCR PAN PHIL SS 10-24 X 0	
8	56002916	6	WSH FLT SAE SS 10	
9	56003799	2	PLASTITE 1/4-10 x 1/2	
10	56009005	4	SCR PAN PHIL SS TYPE B 10	
11	56003817	4	WSH-FLT SS .281 x 1.25	
12	56212143	1	GASKET VACUUM DUCT	
13	56264103	1	GASKET VAC MOTOR	
14	56314760	1	GASKET VAC DUCT	
15	56315375	1	FOAM ACOUSTICAL HOSE	
16	56315847	1	FOAM TUBE ASSEMBLY	
17	56391690	1	BALL FLOAT	
18	56407361	2	CLAMP PLASTIC	
19	56440213	1	CLAMP HOSE	
20	56477613	2	CABLE TIE E00549 RE409S	
21	56601120	1	RECOVERY TANK	
22	56601121	2	GASKET VAC FILTER	
23	56601125	1	FILTER	
24	56601126	1	GASKET EXHAUST	
25	56601127	1	GASKET VAC	
26	56601128	2	HINGE CLAMP	
27	56114185	1	GASKET-RECOVERY TANK	
28	56601131	1	VAC PLATE STANDARD	
29	56601488	1	VAC MOTOR W/SUPPRESSION	[1]
29	56397098	1	CARBON BRUSH SET	[2]
30	56394602	1	HOSE-REC-1.5 X 46	
31	56601137	1	VAC MOTOR COVER	
32	56601138	1	STRAINER BASKET	
33	56601139	1	LID RECOVERY TANK	
34	56601204	1	HOOK DRAIN HOSE	
35	56601250	2	STRAP FILTER COVER	
36	56601253	1	FILTER BOX	
37	56383319	1	DRAIN HOSE ASSY-1.5	[3]
38	56601421	1	COVER DEBRIS	
39	56601451	1	COVER FLTR BOX W/GSKT	
40	56344168	2	FILTER	

Part Notes:

- [1] - M5
[2] - SET OF 2 - NOT SHOWN
[3] - TSB-US 2011-0015 - Suction Hose Improvement

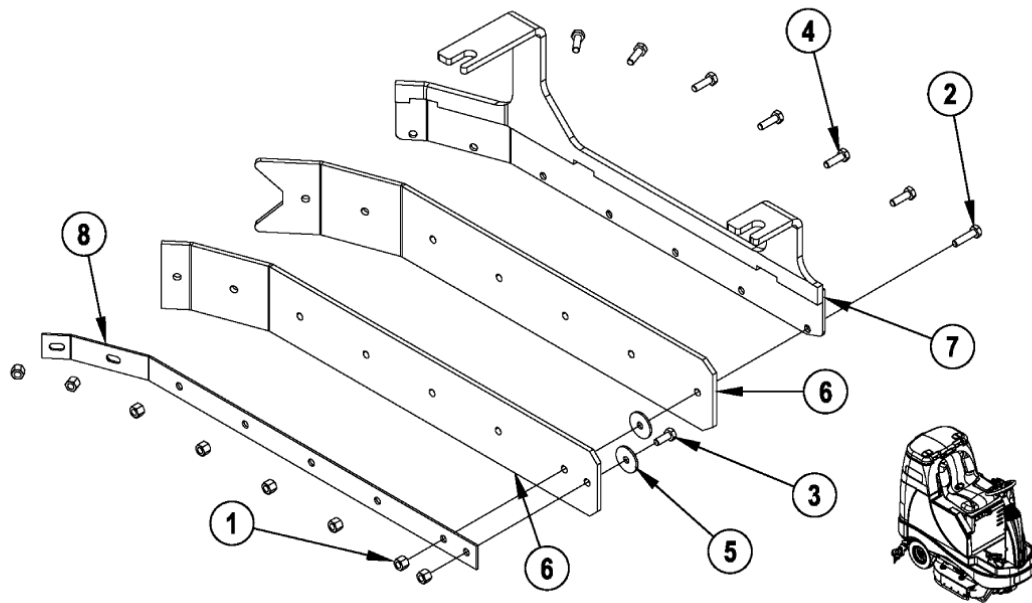


No.	Part No.	Qty.	Description	Part Note
1	56401783	2	LEVELER TANK CR630G	
2	56380149	4	KNOB M12 1.75 THRU	[1]
3	56601578	4	KNOB	
4	56409462	1	HOSE .50 X 12.0	
5	56002086	4	SCR SOC SET 5/16-18 X .25	
6	56002948	8	SCR HEX LOC 1/4-20 X .75	
7	56003222	2	PIN COT HAIR .125 X DIA.5	
9	56003426	9	NUT HEX NYLOC SS M6-1	
10	56003431	2	SCR HEX HD SS M6-1.0 X 16	
11	56003939	1	SCR-HEX SS M6-1 X 95MM	
12	56009019	2	SCR HEX THD FORM	
13	56003657	4	NUT, HEX JAM M12-1.75	
14	56003658	4	SCR THD TO HD SS M12-1.75	
15	56003786	2	PIN RING .500 x 1.18	
16	56009045	2	WASHER, BOWED	
17	56009086	4	NUT, HEX JAM 5/16-18	
18	56112771	2	CLAMP HOSE	
19	56262549	1	TEE	
21	56315061	2	MOTOR, 24VDC, .5HP, 1800R	[2]
21	56412287	1	MOTOR BRUSH/SPRING KIT	[3]
22	56315321	2	BELT, AUTO TENSION	
23	56407559	2	DRIVE END ASSY	
23a	56002119	2	LOCK SET SCREW	
23b	56003237	1	KEY SQ 19 X .62	
23c	56106070	2	BEARING BALL Z22	
23d	56109527	1	SPINDLE	
23e	56381765	1	BEARING PLATE	
23f	56407389	1	SPACER	
23g	56407442	1	SHEAVE, POLY-V	
23h	56407558	1	WASHER, BEARING	
24	56115314	2	GUARD ASSY-BELT	
25	56115344	1	IDLER END ASSY	
25a	56106070	1	BEARING BALL Z22	
25b	56407558	1	WASHER, BEARING	
25c	56315447	1	IDLER BEARING PLATE	
25d	56407303	1	KNOB	
25e	56115273	1	HUB-IDLER	
26	56315625	1	BARB COUPLER 3/4 X 1/2	
27	56316089	1	WHEEL	
28	56316210	2	HARNES BRUSH MOTOR	[3]
29	56316553	2	MANIFOLD PVC 28 ADVENGER	
30	56601049	1	HOPPER WELDT	
31	56407391	2	BLADE	
32	56407433	2	SHEAVE POLY-V	
33	56412176	1	BUSHING	
34	56493357	2	INSULATOR TERMINAL	
35	56601048	1	HOUSING WELDT	
36	56601468	1	LEFT SKIRT ASSEMBLY	
37	56601476	1	RIGHT SKIRT ASSEMBLY	
41	56379139	1	TUBE PVC .750X350	
42	56244969	1	CLAMP HOSE SAE 12 E00047	
43	56009060	2	WSH FLT SS	

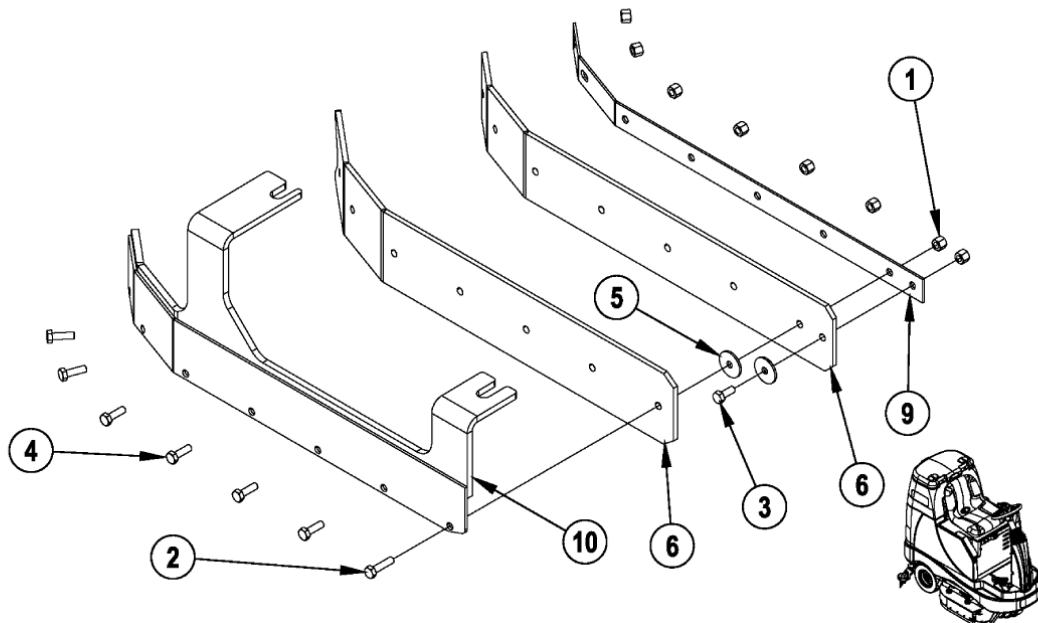
Part Notes:

- [1] - TSBUS2010-1060
- [2] - M7 / M8, TSBUS2010-1058
- [3] - NOT SHOWN

56601468 - Left Skirt Assy



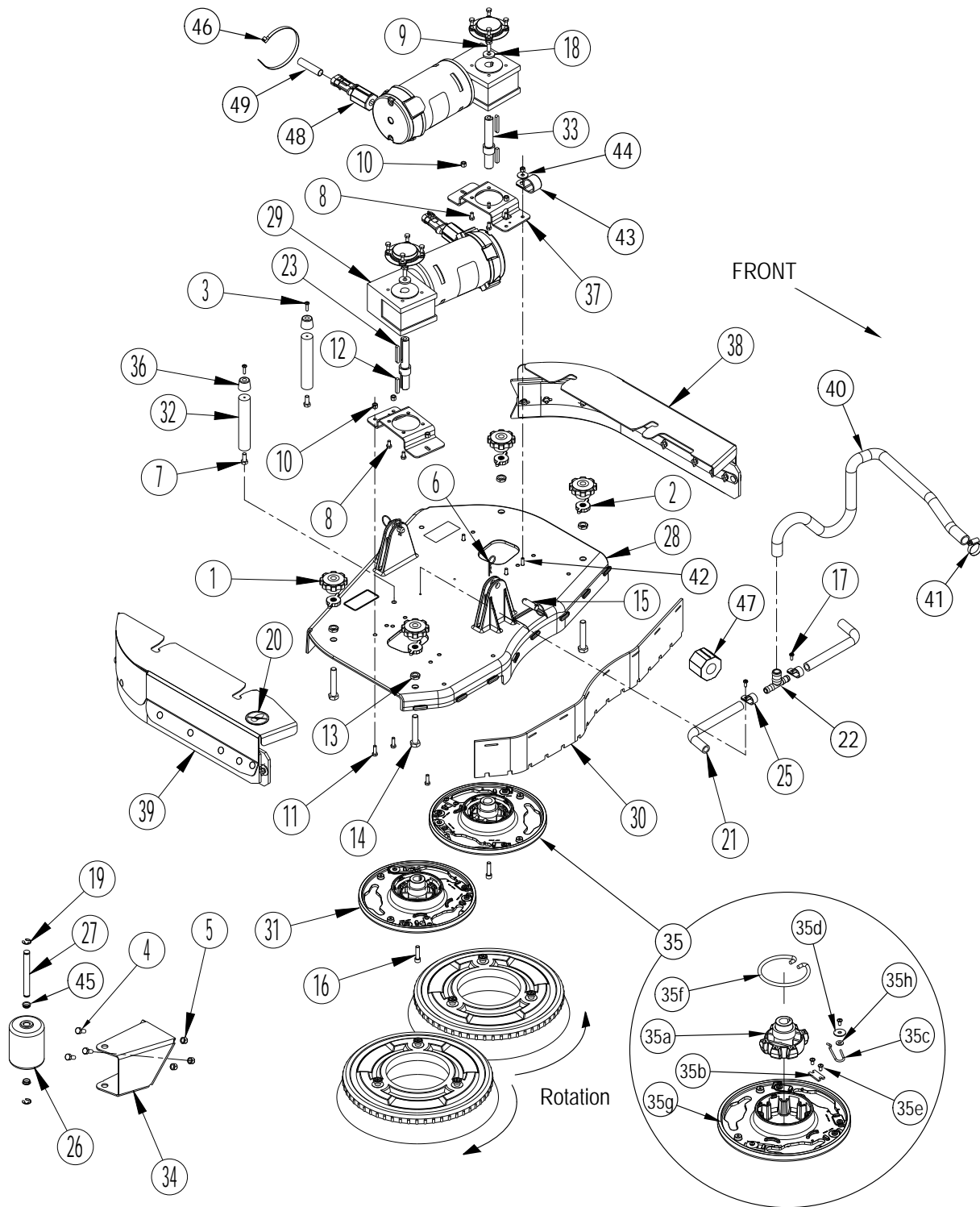
56601476 - Right Skirt Assy



No.	Part No.	Qty.	Description	Part Note
	56601468	1	LEFT SKIRT ASSEMBLY	[1]
	56601476	1	RIGHT SKIRT ASSEMBLY	[2]
1	56003426	8	NUT HEX NYLOC SS M6-1	
2	56003695	1	SCR HEX THD TO HD SS	
3	56003431	1	SCR HEX HD SS M6-1.0 X 16	
4	56003454	6	SCREW HEX THD TO HD	
6	56316194	1	KIT SIDE SKIRT	[3]
5	56009060	2	WSH FLT SS	
6	56601538	1	BLADE KIT PU CYL	[4]
6	56601681	1	BLADE KIT-LINATEX CYL	[4]
7	56601047	1	SKIRT BRACKET WELDT	[5]
8	56601046	1	RETAINER-SKIRT	[5]
9	56601045	1	RETAINER-SKIRT	[6]
10	56601044	1	SKIRT BRACKET WELDT	[6]

Part Notes:

- [1] - 1-8
- [2] - 1-6, 9, 10
- [3] - All deck blade kits include all blades necessary.
- [4] - All deck blade kits include all blades necessary. - OPTIONAL, NOT INCLUDED
- [5] - LEFT
- [6] - RIGHT

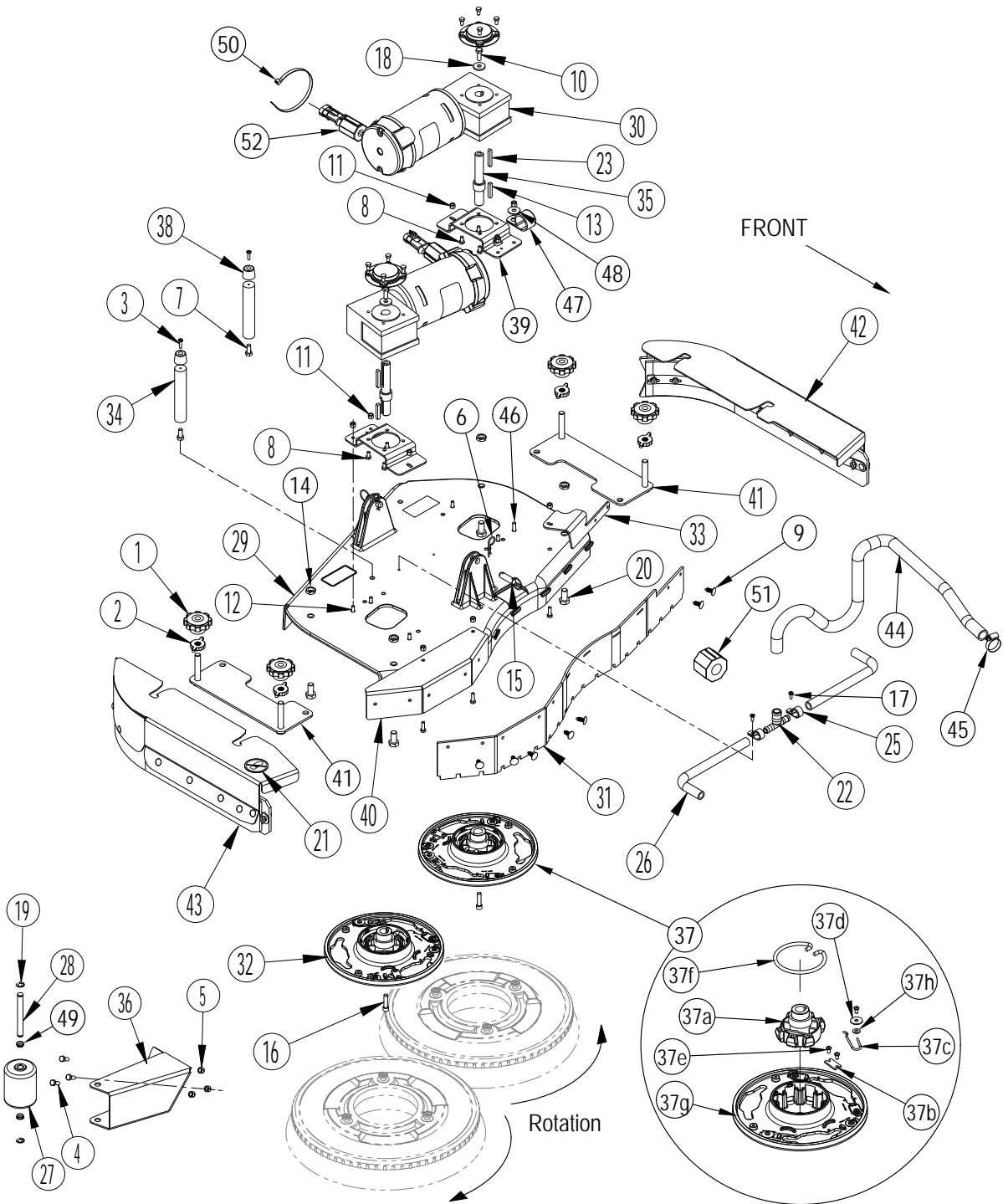


No.	Part No.	Qty.	Description	Part Note
1	56380149	4	KNOB M12 1.75 THRU	[1]
2	56601578	4	KNOB	
3	56002192	2	SCR PAN PHIL 10-24 X .75	
4	56002667	3	SCREW HEX HEAD 5/16-18	
5	56002701	3	HEX NUT 5/16 X18	
6	56002959	2	PIN	
7	56003012	2	SCR HEX SS 5/16 18 X .75	
8	56003211	8	SCR,HEX HD SS M6-1.0 X 12	
9	56003335	2	SCREW HEX	
10	56003426	6	NUT HEX NYLOC SS M6-1	
11	56003454	5	SCREW HEX THD TO HD	
12	56003526	2	KEY SQ .25 X 1.44	
13	56003657	4	NUT, HEX JAM M12-1.75	
14	56003658	4	SCR THD TO HD SS M12-1.75	
15	56003786	2	PIN RING .500 x 1.18	
16	56003798	2	SCR SOC HD 5/16 18 x 1.25	
17	56009029	2	SCR PANPHIL THD FORM 10	
18	56009057	2	WSH FLT HDN	
19	56003264	2	RING RET EXT TYPE E	
20	56016163	1	DECAL NO STEP	
21	56266108	2	HOSE SPIRAL .500 9	
22	56305760	1	TEE BARB 3/4 X 1/2 X 1/2	
23	56314359	2	KEY 6MM SQUARE	
25	56328064	2	CLAMP,CABLE .75 E00129	
26	56407006	1	WHEEL ROLLER	
27	56601580	1	PIN	
28	56601113	1	SCRUB DECK DISC CAST	
29	56601134	2	BRUSH MOTOR AMER	[2]
	56601533	1	MOTOVARIO GEARBOX	[3]
	56314580	1	BALL BEARING OUTPUT SIDE	[4]
	56601537	1	BALL BEARING OUTPUT SIDE	[5]
	56601534	2	CARBON BRUSH	[3]
	56601535	1	KEY	[3]
	56601508	1	PLASTIC COVER	[3]
	56601536	1	MOTOR FAN	[3]
30	56601248	1	BLADE FRONT 28	
	56601521	1	BLADE FRONT 28	[6]
31	56601734	1	BRUSH PLATE ASSY LT	[7]
32	56601289	2	ROD UP STOP	
33	56601319	2	SHAFT HUB MOUNT	
34	56601032	1	ROLLER BRKT 28	
35	56601733	1	BRUSH PLATE ASSY RT	
35a	56112521	1	GIMBAL COLLAR ASSEMBLY	
35b	56366455	1	PLATE STOP	
35c	56109653	2	SPRING RETAINER	
35d	56009002	2	WASHER FLAT	
35e	56009247	3	SCR PN PHIL PLASTITE 10	
35f	56601056	1	SPRING BRUSH HOLDER	
35g	56601118	1	BRUSH PLATE	
35h	56001954	1	WSH,FLT SAE A/E10	
36	56601388	2	UP STOP MOUNT	
37	56601389	2	BRACKET MOTOR	
38	56383468	1	SKIRT ASSY KIT-28 IN	[8]
	56383471	1	SKIRT ASSY-LEFT-28D	[9]
	56384427	1	SKIRT ASSEMBLY KIT-28 IN EU	[10]
39	56601543	1	SKIRT ASSEMBLY RT	[8]
	56383470	1	SKIRT ASSY-RIGHT-28-34D	[9]
38-39	56383468	1	SKIRT ASSY KIT-28 IN	[9]

No.	Part No.	Qty.	Description	Part Note
40	56601793	1	HOSE-.75X36.00	
41	56244969	1	CLAMP HOSE SAE 12 E00047	
42	56003695	1	SCR HEX THDTHD SS	
43	56409463	1	CLAMP,1.25 HOSE SUPPORT	
44	56003696	1	WSH FLAT SS .33 X 1.00	
45	56302164	2	BEARING FLANGE	
46	56477613	1	CABLE TIE E00549 RE409S	
47	56601687	1	FERRITE BEAD	[11]
48	56601686	2	FERRITE BEAD	[12]
49	56384077	2		[13]

Part Notes:

- [1] - TSBUS2010-1060
- [2] - M7 / M8
- [3] - Not Shown
- [4] - (fan end) Not Shown
- [5] - (brush end) Not Shown
- [6] - Optional, Not IncludedPU
- [7] - Item 31 (56601733) consists of the exact same components as item 35 (56601734)
- [8] - The original Skirt Assemblies have been reactivated and are available again. If you have a machine built before January 20, 2014 and After April 13, 2015 and you need to replace either skirt assembly you should order Skirt Assy Kit 56384427 for BR755
- [9] - The Side Skirt Assemblies were updated as of January 20, 2014. If you have a machine built between January 20, 2014 and April 13, 2015 and you need to replace either skirt assembly you should order Skirt Assy Kit 56383468 for BR755 models and replace
- [10] - EXPIRED USE 56383468
The original Skirt Assemblies have been reactivated and are available again. If you have a machine built before January 20, 2014 and After April 13, 2015 and you need to replace either skirt assembly you should order Skirt Assy Kit 56384427 for BR755
- [11] - Installed on main harness
- [12] - Installed on each brush drive motor
- [13] - 56384077 is only used on machines built after January 26th 2015. Revised or new since last update



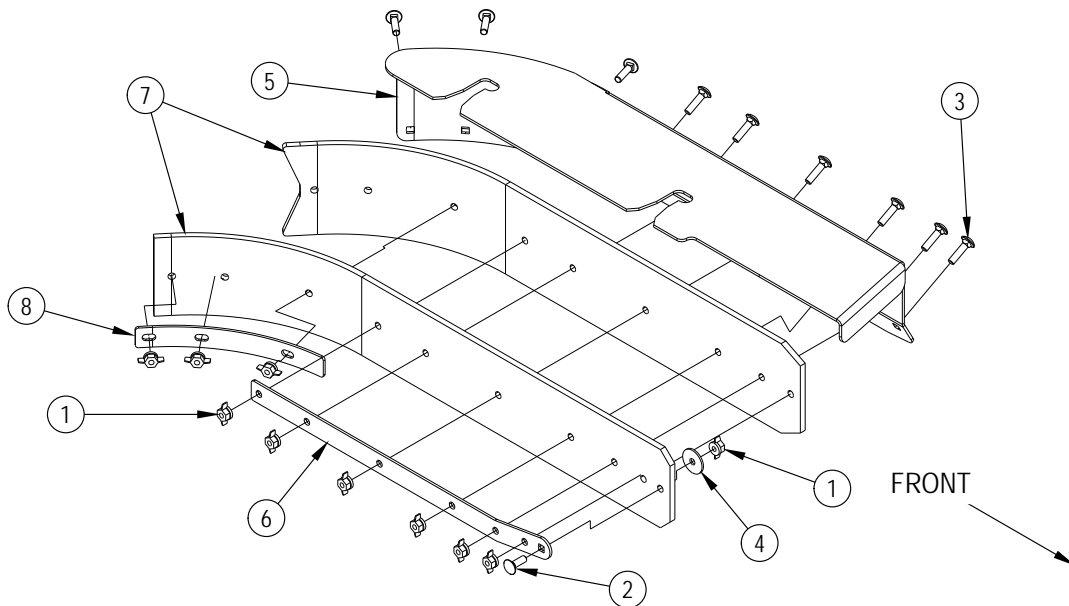
No.	Part No.	Qty.	Description	Part Note
1	56380149	4	KNOB M12 1.75 THRU	[1]
2	56601578	4	KNOB	
3	56002192	2	SCR PAN PHIL 10-24 X .75	
4	56002667	3	SCREW HEX HEAD 5/16-18	
5	56002701	3	HEX NUT 5/16 X18	
6	56003222	2	PIN COT HAIR .125 X DIA.5	
7	56003012	2	SCR HEX SS 5/16 18 X .75	
8	56003211	8	SCR,HEX HD SS M6-1.0 X 12	
9	56003263	7	RIVET, NYLON TREE PUSH-IN	
10	56003335	2	SCREW HEX	
11	56003426	9	NUT HEX NYLOC SS M6-1	
12	56003454	8	SCREW HEX THD TO HD	
13	56003526	2	KEY SQ .25 X 1.44	
14	56003657	4	NUT, HEX JAM M12-1.75	
15	56003786	2	PIN RING .500 x 1.18	
16	56003798	2	SCR SOC HD 5/16 18 x 1.25	
17	56009029	2	SCR PANPHIL THD FORM 10	
18	56009057	2	WSH FLT HDN	
19	56003264	2	RING RET EXT TYPE E	
20	56009119	4	SCR HEXTHD/HDGRM12-1.75	
21	56016163	1	DECAL NO STEP	
22	56305760	1	TEE BARB 3/4 X 1/2 X 1/2	
23	56314359	2	KEY 6MM SQUARE	
25	56328064	2	CLAMP,CABLE .75 E00129	
26	56387302	2	TUBE PVC .500X11.00	
27	56407006	1	WHEEL ROLLER	
28	56601580	1	PIN	
29	56601113	1	SCRUB DECK DISC CAST	
30	56601134	2	BRUSH MOTOR AMER	
	56601533	1	MOTOVARIO GEARBOX	[2]
	56314580	1	BALL BEARING OUTPUT SIDE	[3]
	56601537	1	BALL BEARING OUTPUT SIDE	[4]
	56601534	2	CARBON BRUSH	[2]
	56601535	1	KEY	[2]
	56601508	1	PLASTIC COVER	[2]
	56601536	1	MOTOR FAN	[2]
31	56601275	1	BLADE FRONT 34	
	56601522	1	BLADE FRONT 34	
32	56601734	1	BRUSH PLATE ASSY LT	[5]
33	56601278	1	SKIRT BRACKET FRONT 34	
34	56601289	2	ROD UP STOP	
35	56601319	2	SHAFT HUB MOUNT	
36	56601031	1	ROLLER BRKT 34	
37	56601733	1	BRUSH PLATE ASSY RT	
37a	56112521	1	GIMBAL COLLAR ASSEMBLY	
37b	56366455	1	PLATE STOP	
37c	56109653	2	SPRING RETAINER	
37d	56009002	1	WASHER FLAT	
37e	56009247	4	SCR PN PHIL PLASTITE 10	
37f	56601056	1	SPRING BRUSH HOLDER	
37g	56601118	1	BRUSH PLATE	
37h	56001954	1	WSH,FLT SAE /E10	
38	56601388	2	UP STOP MOUNT	
39	56601389	2	BRACKET MOTOR	
40	56601452	1	BRUSH COVER	
41	56601034	2	SIDE SKIRT WELDMENT	
42	56601542	1	SKIRT ASSEMBLY LT 34	[6]
	56383472	1	SKIRT ASSY-LEFT-34D	[7]

No.	Part No.	Qty.	Description	Part Note
	56384428	1	SKIRT ASSEMBLY KIT-34 IN EU	[7]
43	56601543	1	SKIRT ASSEMBLY RT	[6]
	56383469	1	SKIRT ASSY KIT-34 IN	[7]
	56383470	1	SKIRT ASSY-RIGHT-28-34D	[7]
44	56601793	1	HOSE-.75X36.00	
45	56244969	1	CLAMP HOSE SAE 12 E00047	
46	56003695	1	SCR HEX THDTHD SS	
47	56409463	1	CLAMP,1.25 HOSE SUPPORT	
48	56003696	1	WSH FLAT SS .33 X 1.00	
49	56302164	2	BEARING FLANGE	
50	56477613	1	CABLE TIE E00549 RE409S	
51	56601687	1	FERRITE BEAD	[8]
52	56601686	2	FERRITE BEAD	[9]

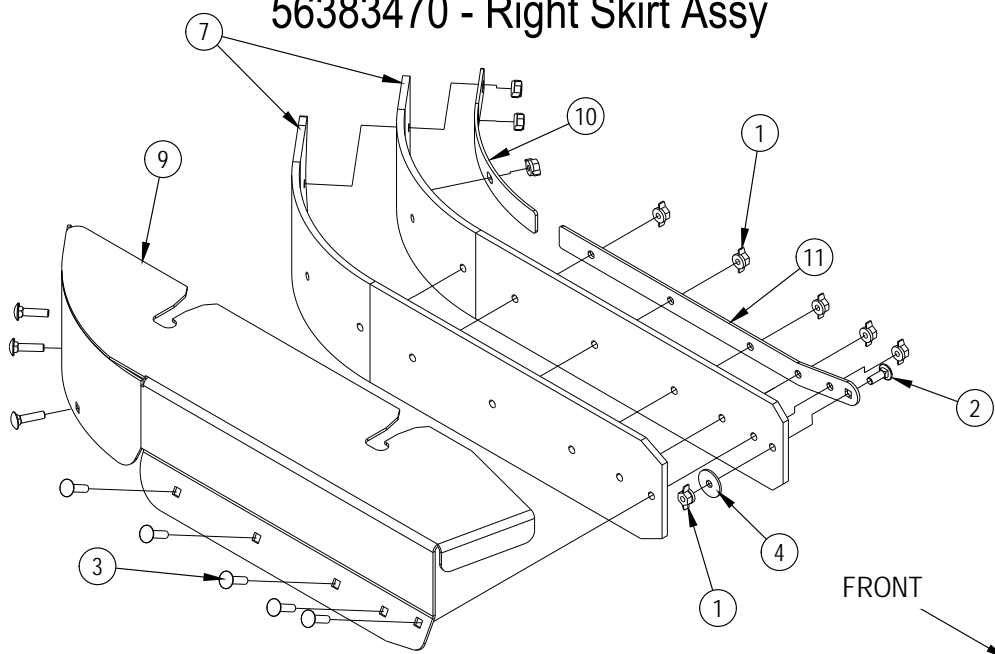
Part Notes:

- [1] - TSBUS2010-1060
- [2] - Not Shown
- [3] - (fan end) Not Shown
- [4] - (brush end) Not Shown
- [5] - Item 32 (56601733) consists of the exact same components as item 37 (56601734)
- [6] - The original Skirt Assemblies have been reactivated and are available again. If you have a machine built before January 20, 2014 and After April 13, 2015 and you need to replace either skirt assembly you should order Skirt Assy Kit 56384428 for BR855 models and replace them as a matched pair. See pages 20 and 21
- [7] - The Side Skirt Assemblies were updated as of January 20, 2014. If you have a machine built between January 20, 2014 and April 13, 2015 and you need to replace either skirt assembly you should order Skirt Assy Kit 56383469 for BR855 models and replace them as a matched pair. See pages 22 and 23. If you want to replace either Skirt Assembly with the original Side Skirt Assemblies you should order Skirt Assy Kit 56384428 for BR855 models and replace them as a matched pair. See pages 20 and 21
- [8] - Installed on main harness
- [9] - Installed on each brush drive motor

56383471 (BR755) / 56383472 (BR855) - Left Skirt Assy



56383470 - Right Skirt Assy



Resource notes:

NOTE 1: All quantities shown are for one skirt assembly. There are two skirt assemblies on the machine.

NOTE 2: All disk deck blade kits include all side skirt blades.

NOTE 3: The Side Skirt Assemblies have been updated as of January 20, 2014. The original Skirt Assemblies are no longer available. If you have a machine

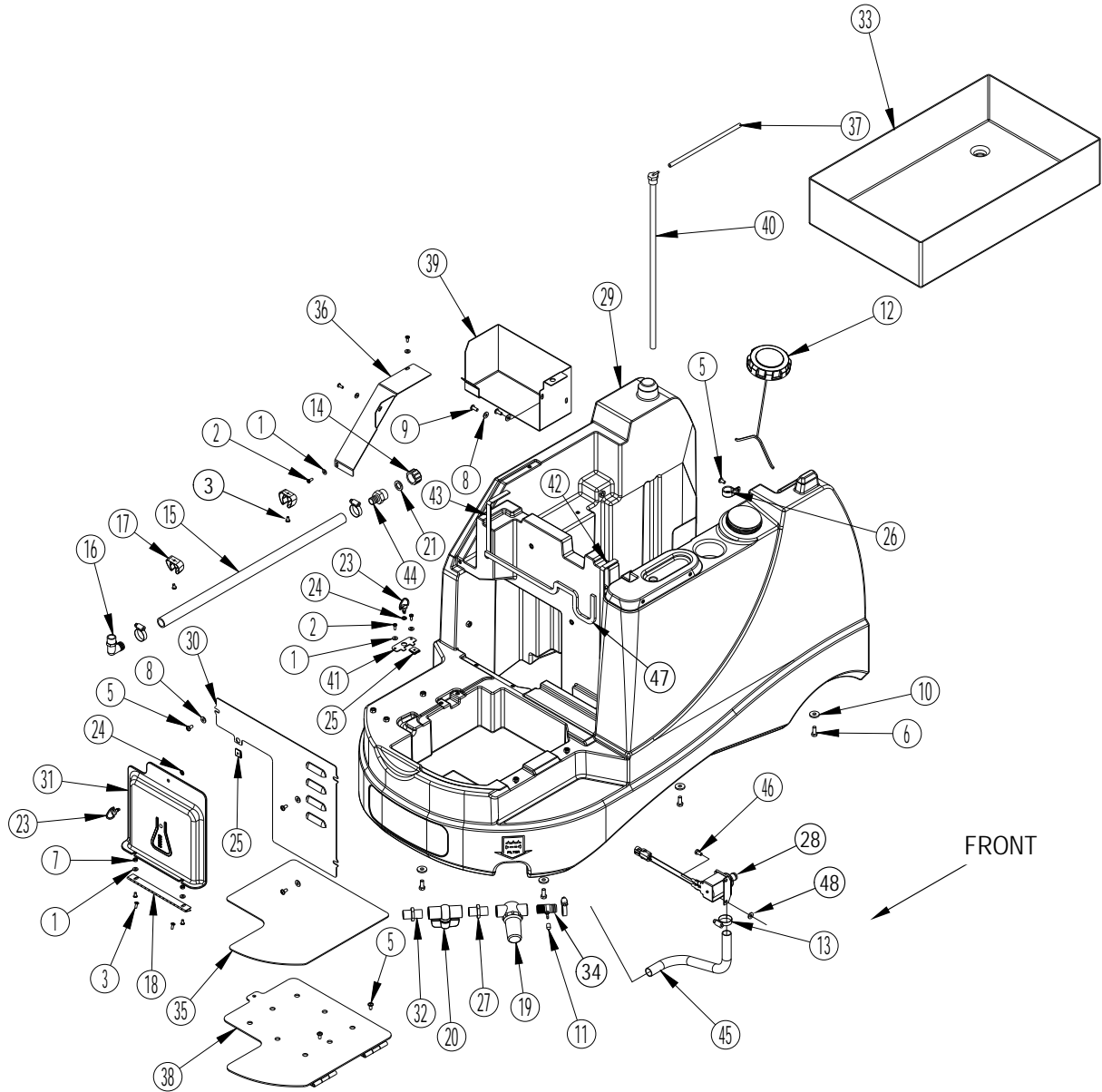
built prior to January 20, 2014 and you need to replace either skirt assembly you should order Skirt Assy Kit 56383468 for BR755 models or Skirt Assy Kit

56383469 for BR855 models and replace them as a matched pair.

No.	Part No.	Qty.	Description	Part Note
	56383471	1	SKIRT ASSY-LEFT-28D	[1]
	56383472	1	SKIRT ASSY-LEFT-34D	[2]
	56383470	1	SKIRT ASSY-RIGHT-28-34D	[3]
1	56003824	9	NUT WING PLASTIC LOC	[4]
2	56003715	1	SCR CARRIAGE SS 1/4	
3	56003828	8	SCR- CARRIAGE SS 1/4-20	[5]
4	56009060	1	WSH FLT SS	
5		1	NON-SALEABLE	
5	56383493	1	SKIRT BKT WELDT-LEFT-34D	[6]
6	56383473	1	STRAP-FRONT-28-34D	[7]
6	56383474	1	STRAP-FRONT-LEFT-34D	[8]
7	56383488	1	SKIRT BLADE KIT-GUM	[9]
	56383490	1	SKIRT BLADE KIT-PU	[9]
	56383489	1	SKIRT BLADE KIT-RED GUM	[9]
8	56114386	1	STRAP REAR 28D 34D	[7]
8	56114387	1	STRAP REAR 34D LT	[8]
9	56383470	1	SKIRT ASSY-RIGHT-28-34D	[10]
10	56114386	1	STRAP REAR 28D 34D	[10]
11	56383473	1	STRAP-FRONT-28-34D	[10]

Part Notes:

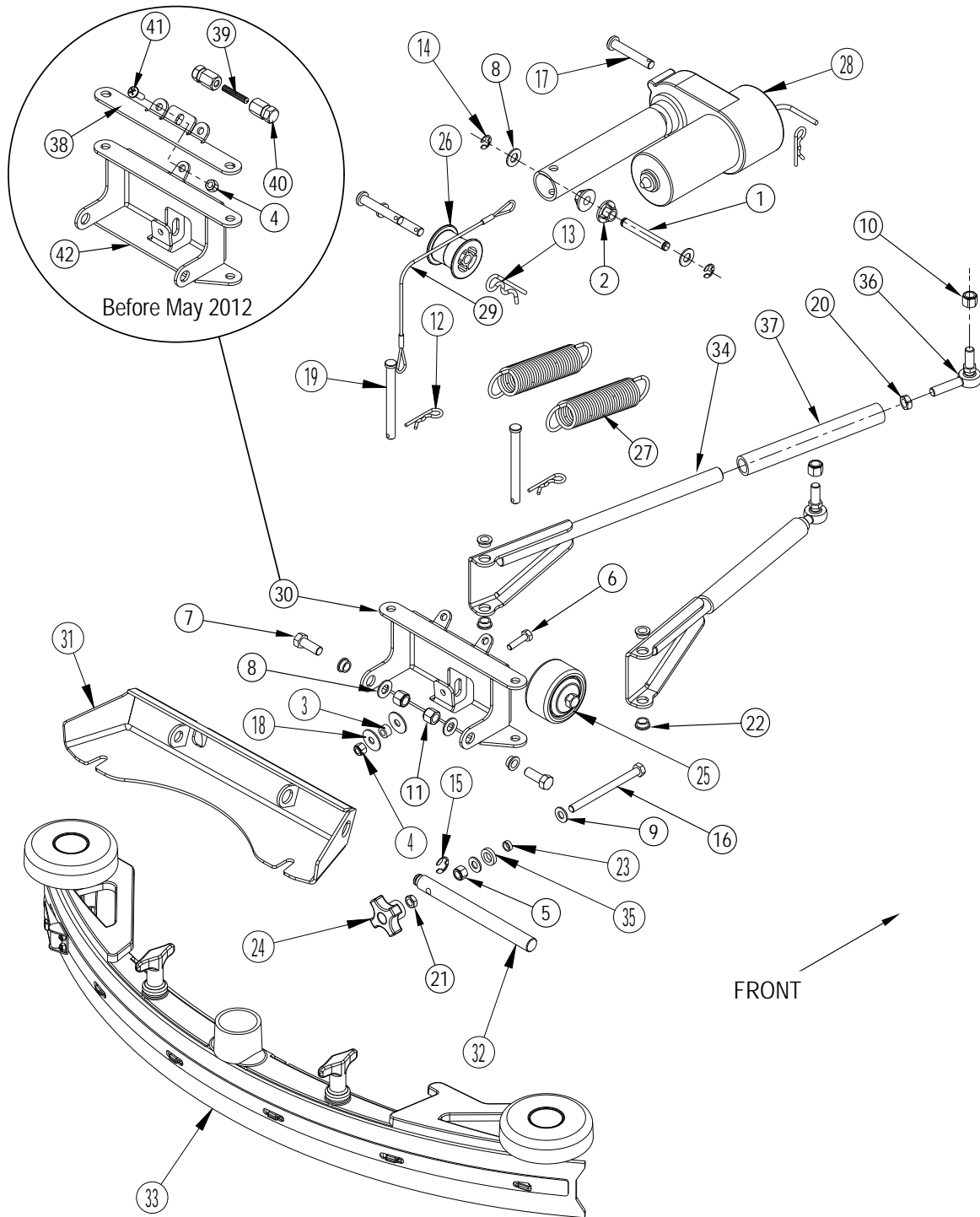
- [1] - (BR755 / 1-8) NOTE 3
- [2] - (BR855 / 1-8) NOTE 3
- [3] - (All Models / 1-4, 7, 9, 10, 11) NOTE 3
- [4] - (qty of 10 in 56383472)
- [5] - (qty of 9 in 56383472)
- [6] - NON-SALEABLE USE 56383472
- [7] - (BR755 / Left)
- [8] - (BR855 / Left)
- [9] - NOTE 2
- [10] - (All Models / Right)



No.	Part No.	Qty.	Description	Part Note
1	56002916	7	WSH FLT SAE SS 10	
2	56003400	5	SCR PAN PHIL SS LOC	
3	56003913	6	SCR-PAN PHIL LOC SS	
5	56003119	8	SCR PAN PHIL SS 1/4 20	
6	56002667	4	SCREW HEX HEAD 5/16-18	
7	56002849	2	THIN NYLON LOC NUT	
8	56002859	2	WASHER FLAT S/S 1/4	
9	56002859	2	WASHER FLAT S/S 1/4	
10	56009122	4	WASHER, FLT .344X.938X.12	
11	56051209	1	RUBBER TIP-BLACK	
12	56510442	1	CAP-EXTRA VENT	[1]
13	56244969	4	CLAMP HOSE SAE 12 E00047	
14	56255076	1	CAP PIPE NYLON	
15	56261265	1	TUBE E00521	
16	56314757	1	ELBOW 90BARBMALE1/2-14	
17	56601598	1	HOSE CLIP	
18	56315285	1	HINGE	
19	56315296	1	SOLUTION FILTER	
19	56601594	1	KIT SOLUTION FILTER	[2]
20	56381521	1	KIT BALL VALVE BRACKET	
21	56368776	1	RUBBER WASHER	
23	56380132	2	FASTENER CR38A	
24	56380137	2	RETAINER CR38B	
25	56380141	2	RECEPTACLE CR38C	
26	56410097	3	CLAMP P	
27	56412182	1	NIPPLE HEX 3/4	
28	56601064	1	SOLENOID VALVE ASSEMBLY	[3]
29	56601076	1	SOLUTION TANK	
30	56601106	1	PANEL	
31	56601202	1	CHEMICAL BOTTLE COVER	
32	56601212	1	NIPPLE REDUCER	[4]
33	56601213	1	BATTERY BOX	
34	56601236	1	TEE SPECIAL 3/4 X 3/16	
35	56601246	1	MAT	
36	56601268	1	PLATE	
37	56112553	1	HOSE	
38	56601339	1	CHARGER COVER WELDMENT	
39	56601845	1	BRACKET	
40	56344172	1	TUBE PRESSURE SENSING	[5]
41	56601843	1	PLATE	
42	56601569	1	GASKET	
43	56601570	1	GASKET	
44	56900273	1	BARB ADAPTER 3/4 X 3/4 GH	
45	30445A	1	HOSE,SOLUTION	
46	56002935	1	SCR HEX LOC SS 1/4-20 X	
47	56601685	1	GASKET	
48	56009064	1	WSH INT SHPRF 1/4	

Part Notes:

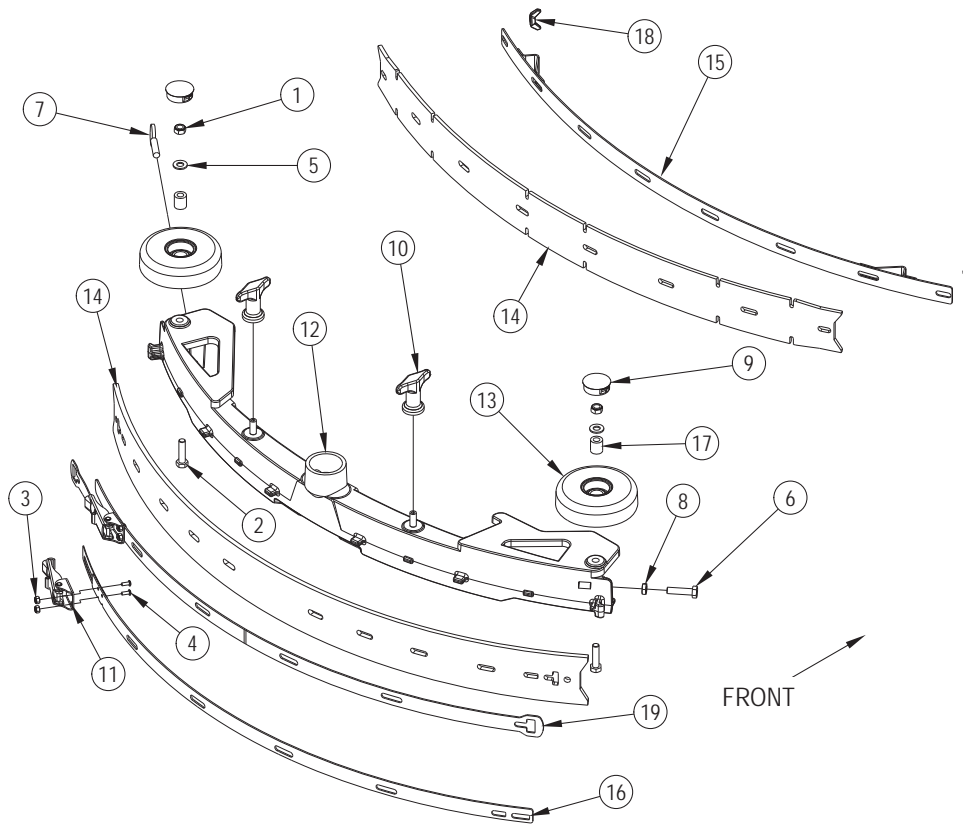
- [1] - TSB-FC-2015-031 Various machines Solution Fill Cap
- [2] - 56601594 is a repair kit for the item 56315296. 56601594 contins: filter mesh, o-ring and filter cup
- [3] - TSB-FC-2015-023-Variou Machines -Clean water leaking from machine when
DE TSB-FC-2015-023 Div. Maschinen - Undichtes Magnetventil
- [4] - 56601212 is only used on machines built before December 16, 2013. After that date it is replaced with 56412182.
- [5] - May 2011



No.	Part No.	Qty.	Description	Part Note
1	56412088	1	PIN	
2	56412248	2	SPACER	
3	56453691	1	SPACER	
4	56002491	2	NUT 1/4-20 SS THIN NYLOC	[1]
5	56002856	1	5/16-18 NYLOC NUT	
6	56002883	1	SCREW S/S 1/4-20 X 1	
7	56002886	2	SCR HEX SS 3/8-16 X 1.00	
8	56002910	4	WSH FLT SAE SS 3/8	
9	56002938	2	WSH FLT SAE SS 5/16	
10	56002951	2	NUT HEX NYL LOC 3/8-24.	
11	56003219	2	NUT, HEX NYL LOC SS 3/8-1	
12	56003222	3	PIN COT HAIR .125 X DIA.5	
13	56003223	1	PIN COT HAIR.148 X	
14	56003262	2	RETAINING RING	
15	56003264	1	RING RET EXT TYPE E	
16	56003486	1	HEX THD TO HD SS	
17	56003656	3	CLEVIS PIN .375 X 2.25	
18	56003696	2	WSH FLAT SS .33 X 1.00	
19	56003713	2	PIN CLEVIS .38 X 3.75	
20	56009103	2	NUT, HEX JAM 3/8-24	
21	56009141	1	NUT HEX JAM SS 5/16 18	
22	56324505	6	BEARING FLANGE	
23	56381818	1	BUSHING .32X.44X.14	
24	56407303	1	KNOB	
25	56412124	1	WHEEL	
26	56412208	1	ROLLER	
27	56412216	2	SPRING EXTENSION	[2]
28	56601147	1	ACTUATOR MOTOR 24V	[3]
29	56601257	1	CABLE ASSEMBLY	
30	56601038	1	WELDT-SQUEEGEE PIVOT	[4]
31	56601037	1	WELDT-SQUEEGEE MOUNT	
32	56601442	1	SHAFT	
33	56601449	1	SQUEEGEE ASSEMBLY	[5]
	56601454	1	SQUEEGEE ASSEMBLY	[6]
34	56601460	2	BAR WELDMENT	
35	56601463	1	WASHER POLYURETHANE	
36	56601469	2	ROD END	
37	56601512	2	HOSE	
38	56382623	1	BRACKET-SPRING ADVENGER	[2]
39	56382637	1	ROD-THREADED .25 X 1.25	[2]
40	56382624	2	NUT-SPRING	[2]
41	56002957	1	SCR PAN PHIL SS 1/4 20	[7]
42	56601436	1	SQUEEGEE PIVOT BRACKET	[8]

Part Notes:

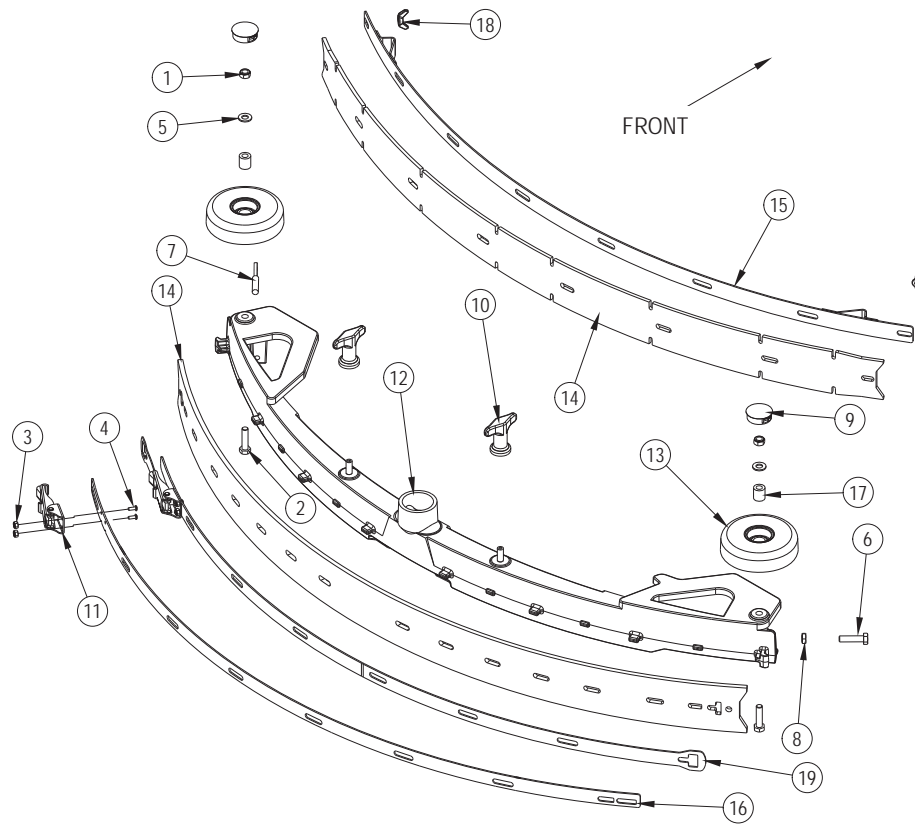
- [1] - These parts were implemented in production as of November 2011 to increase squeegee down pressure. Order Squeegee Spring Kit 56382635 to upgrade your machine to include this improvement. Only used before May 2012
- [2] - These parts were implemented in production as of November 2011 to increase squeegee down pressure. Order Squeegee Spring Kit 56382635 to upgrade your machine to include this improvement. Only used before May 2012 56382635 - Squeegee spring kit
- [3] - M3
- [4] - After April 2012
- [5] - BR 755 Includes Gum Rubber Blades
- [6] - BR 855 Includes Gum Rubber Blades
- [7] - These parts were implemented in production as of November 2011 to increase squeegee down pressure. Order Squeegee Spring Kit 56382635 to upgrade your machine to include this improvement. Only used before May 2012
56382635 - Squeegee spring kit
- [8] - Before May 2012



No.	Part No.	Qty.	Description	Part Note
00	56601449	1	SQUEEGEE ASSEMBLY	[1]
1	56002851	2	NUT HEX NYL LOC THIN	
2	56003302	2	SCR,HEX THD/HD SS 5/16-18	
3	56002907	2	NUT HEX NYL LOC SS 6-32	[2]
4	56002909	2	SCR PAN PHIL SS 6-32 X	[2]
5	56002938	2	WSH FLT SAE SS 5/16	
6	56003302	1	SCR,HEX THD/HD SS 5/16-18	
7	56003792	1	SCR THUMB SS 5/16-18 X	
8	56009141	1	NUT HEX JAM SS 5/16 18	
9	56111444	2	BUTTON PLUG 1.25	
10	56370711	2	NUT THUMB	
11	56471194	1	LATCH ASSEMBLY	[2]
12		1	SQUEEGEE CASTING - BR 755, NOTE 2	[3]
13	56601450	2	WHEEL 4.00 OD	
14	56120335	1	SQUEEGEE BLADE KIT 28-GUM-M	[4]
14	56120334	1	SQUEEGEE BLADE KIT 28-LINATEX-M	[4]
14	56120336	1	SQUEEGEE BLADE KIT 28-PU-M	[4]
15	56601489	1	FRONT STRAP WELDMENT	
16	56382676	1	WELDMENT-REAR STRAP 28 IN	[5]
16	56601591	1	WELDMENT REAR STRAP	[6]
17	56601499	2	BUSHING NYLON	
18	56009111	2	NUT, WING S.S. 1/4-20	[6]
19	56382697	1	CLAMP-BAND 28 IN ASSY	[7]

Part Notes:

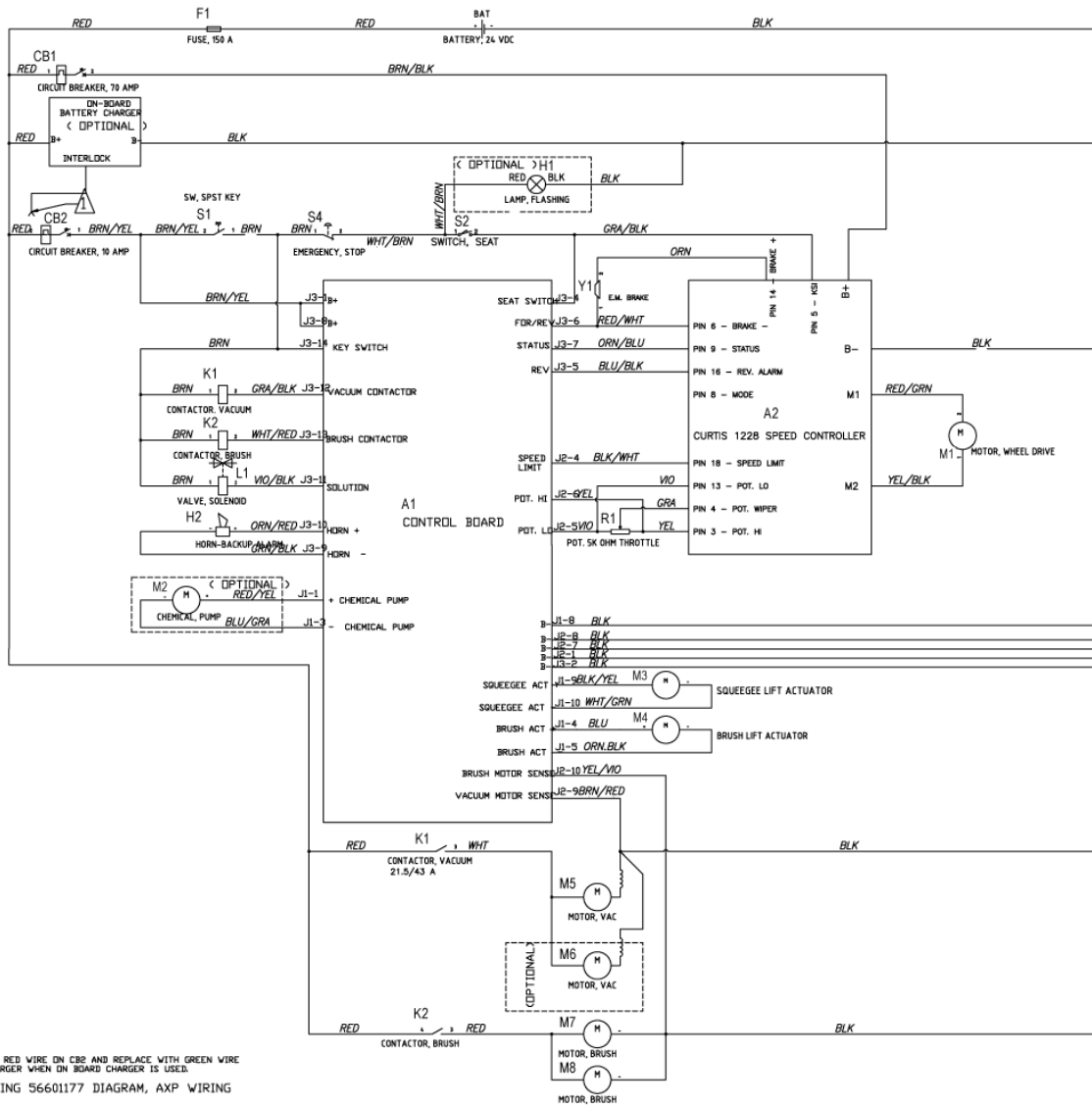
- [1] - BR 755 - Includes Gum Rubber Blades
- [2] - Before June 2012
- [3] - SQUEEGEE CASTING - BR 755, The squeegee casting is not available for sale separately. If you need to replace your squeegee casting please order a new Squeegee Assembly part number 56601449.
- [4] - All squeegee blade kits include both front and rear squeegee blades. These squeegee blades are designed to provide increased performance and reduced streaking. When installing these blades on a machine built before November 2011 you must also order a new rear strap part number 56382676. After October 2011
- [5] - Squeegee assembly - BR 855 - Only used after SN 3000023099.
- [6] - Squeegee assembly - BR 855 - Only used before SN 3000023100.
- [7] - After May 2012



No.	Part No.	Qty.	Description	Part Note
00	56601454	1	SQUEEGEE ASSEMBLY	[1]
1	56002851	2	NUT HEX NYL LOC THIN	
2	56003302	2	SCR,HEX THD/HD SS 5/16-18	
3	56002907	2	NUT HEX NYL LOC SS 6-32	[2]
4	56002909	2	SCR PAN PHIL SS 6-32 X	[2]
5	56002938	2	WSH FLT SAE SS 5/16	
6	56003302	1	SCR,HEX THD/HD SS 5/16-18	
7	56003792	1	SCR THUMB SS 5/16-18 X	
8	56009141	1	NUT HEX JAM SS 5/16 18	
9	56111444	2	BUTTON PLUG 1.25	
10	56370711	2	NUT THUMB	
11	56471194	1	LATCH ASSEMBLY	
12		1	SQUEEGEE CASTING - BR 855, NOTE2	[3]
13	56601450	2	WHEEL 4.00 OD	
14	56120340	1	SQUEEGEE BLADE KIT 34 -PU-L	[4]
14	56382738	1	BLADE KIT SQUEEGEE GUM 34	[4]
14	56120338	1	SQUEEGEE BLADE KIT 34 -LINATEX-L	[4]
15	56601495	1	FRONT STRAP WELDMENT	[5]
16	56601496	1	STRAP REAR	[6]
16	56601593	1	WELDMENT REAR STRAP	[7]
17	56601499	2	BUSHING NYLON	
18	56009111	2	NUT, WING S.S. 1/4-20	[7]
19	56382698	1	CLAMP-BAND 34 IN ASSY	[8]

Part Notes:

- [1] - BR 855 - Includes Gum Rubber Blades
- [2] - Before May 2012
- [3] - The squeegee casting is not available for sale separately. If you need to replace your squeegee casting please order a new Squeegee Assembly part number 56601454.
- [4] - All squeegee blade kits include both front and rear squeegee blades.
- [5] - BR 855
- [6] - TSB US 2009-1041. New Squeegee Casting - Only used after SN 300006846 and before May 2012
- [7] - TSB US 2009-1041. New Squeegee Casting - Only used before SN 300006847.
- [8] - After April 2012



No.	Part No.	Qty.	Description	Part Note
A1	56384462	1	INTERFACE PANEL ASSY	[1]
A2	56601061	1	SPEED CONTROL	
BAT		1	BATTERY, NOT AVAILABLE	[2]
CB1	56454429	1	70A CIRCUIT BREAK	
CB2	56507644	1	CIRCUIT BREAKER	
F1	56412089	1	FUSE 150 AMP	
H1	56307166	1	BEACON ASSEMBLY	[3]
H2	56412177	1	HORN/BACKUP ALARM	
K1	56601183	1	CONTACTOR 24V 100 AMP	
K2	56412179	1	CONTACTOR 24 VDC	
L1	56601064	1	SOLENOID VALVE ASSEMBLY	[4]
M1	56601050	1	MOTOR DRIVE WHEEL	
M2	56315241	1	PUMP CHEMICAL	
M3	56601147	1	ACTUATOR MOTOR 24V	
M4	56601432	1	LIFT ACTUATOR ASSEMBLY	
M5	56601488	1	VAC MOTOR W/SUPPRESSION	
M6	56601488	1	VAC MOTOR W/SUPPRESSION	[3]
M7	56601134	2	BRUSH MOTOR AMER	[5]
M7	56315061	1	MOTOR, 24VDC, .5HP, 1800R	[6]
M8	56601134	2	BRUSH MOTOR AMER	[5]
M8	56315061	1	MOTOR, 24VDC, .5HP, 1800R	[6]
R1		1	Part of 56385804	
S1	56303553	1	KEY SWITCH ASSEMBLY	
S1	56303526	1	KEY, REPLACEMENT SET OF 2	[7]
S2	7-82-00050	1	SWITCH SEAT	
S4	56407130	1	SWITCH (EMERGENCY DISC.)	
Y1	56601507	1	PARKING BRAKE	
Y1	56315124	1	CHARGER ON BOARD 24V	[8]

Part Notes:

- [1] - TSB-FC-2023-002 BR755 CYL deck
- [2] - BATTERY, NOT AVAILABLE
- [3] - OPTIONAL
- [4] - TSB-FC-2015-023-Various Machines -Clean water leaking from machine when
DE TSB-FC-2015-023 Div. Maschinen - Undichtes Magnetventil
- [5] - DISK
- [6] - CYLINDRICAL, TSB US 2010-1058. Identification of Cyl. Brush Motors
- [7] - OPTIONAL, NOT INCLUDED

for 56303553

- [8] - TSBUS2008-984

No.	Part No.	Qty.	Description	Part Note
1		1	Kits	[1]
2	56397453	1	INDICATOR BATTERY LEVEL	[2]
3	7-03-04249	1	ARM REST LH & RH	
4	56383188	1	ARM REST KIT R/H + L/H	
5	56601085	1	KIT BEACON	
6	56601087	1	KIT VACUUM WAND WITH	
7	56422162	1	KIT SEAT BELT	
8	56601090	1	KIT DUAL VAC EU	
9	56601080	1	KIT ON BOARD CHARGER EU	
10	56601527	1	KIT BATTERY WATERING	[2]
11	56315732	1	QUIQ PROGRAMMER KIT	
12	56601082	1	ECOFLEX CHEMICAL KIT EU	
13	56601735	1	DEBRIS TRAY	
14	56601546	1	KIT 28 DISK DECK ASSY	
15	56601547	1	KIT 34 DISK DECK ASSY	
16	56601756	1	KIT-28 CYL DECK ASSY-EU	
17	56383697	1	SKIRT EXT-CONCRETE POLISH KIT	
18		1	BR 755 Squeegee Blade Kits	
19	56120335	1	SQUEEGEE BLADE KIT 28-GUM-M	
21	56120336	1	SQUEEGEE BLADE KIT 28-PU-M	
23	56120334	1	SQUEEGEE BLADE KIT 28-LINATEX-M	
25		1	BR 855 Squeegee Blade Kits	
26	56382738	1	BLADE KIT SQUEEGEE GUM 34	
27	56120340	1	SQUEEGEE BLADE KIT 34 -PU-L	
28	56120338	1	SQUEEGEE BLADE KIT 34 -LINATEX-L	
29		1	Disk Deck Blade Kits	
30	56383488	1	SKIRT BLADE KIT-GUM	
31	56383490	1	SKIRT BLADE KIT-PU	
32	56383489	1	SKIRT BLADE KIT-RED GUM	
33		1	Cylindrical Deck Blade Kits	
34	56316194	1	KIT SIDE SKIRT	
35	56601538	1	BLADE KIT PU CYL	
36	56601681	1	BLADE KIT-LINATEX CYL	
37		1	Accessories	
38	56383571	1	PROGRAMMER-USER	
39	56383572	1	PROGRAMMER CABLE-MOLEX	
40	56044419	1	LITERATURE PACK	[3]
41		1	BA 755 Disk Scrub Brushes (See Brush Selector Guide)	
42	56505800	2	PAD HOLDER 370 MM	
43	56505195	2	PAD RETAINER	
44	56505805	2	BRUSH PROLITE	
45	56505804	2	BRUSH PROLENE	
46	56505806	2	UNION MIX BRUSH 36CM	
47	56505803	2	BRUSH AGLITE GRIT 500	
48	56505807	2	BRUSH MIDGRIT 240	
49	56505808	2	BRUSH MIDLITE GRIT 180	
50	56505802	2	BRUSH DYNA GRIT 80	
51	56505801	2	BRUSH MAGNA GRIT 46	
52		1	BA 855 Disk Scrub Brushes (See Brush Selector Guide)	
53	56505780	2	PAD HOLDER 17 3 LUG	
54	56505195	2	PAD RETAINER	
55	56505785	2	DISC BRUSH 17 PROLITE 3	
56	56505784	2	DISC BRUSH 17 PROLENE 3	
57	56505786	2	DISC BRUSH 17 UNION MIX	
58	56505783	2	DISC BRUSH 17 AGLITE 3	
59	56505787	2	DISC BRUSH 17 MIDGRIT 3	
60	56505788	2	DISC BRUSH 17 MIDLITE 3	
61	56505782	2	DISC BRUSH 17 DYNAGRIT	

No.	Part No.	Qty.	Description	Part Note
62	56505781	2	DISC BRUSH 17 MAGNAGRIT	
63		1	BA 755 Cylindrical Scrub Brushes (See Brush Selector Guide)	
64	56412191	2	BRUSH SOFT NYLON 28	[4]
65	56412192	2	BRUSH HARD NYLON 28	
66	56412046	2	BRUSH POLYPROPYLENE 28	
67	56412193	2	BRUSH 180 GRIT	
68	56412194	2	BRUSH DYNA GRIT 80	[4]
69	56412195	2	BRUSH MAGNA GRIT 46	[4]

Part Notes:

- [1] - NOTE 2: All disk deck blade kits include all side skirt blades.
NOTE 3: All cylindrical deck blade kits include all blades necessary.
NOTE 4: These squeegee blades are designed to provide increased performance and reduced streaking. When installing these blades on a machine built before November 2011 you must also order a new rear strap part number 56382676.
- [2] - NOT FOR SALE VIA EDC
- [3] - PRINT FROM HOMEPAGE
- [4] - COMPLEXITY REDUCTION

We provide brushes and pad holders that will give you the best possible performance between machine and floor. Following are descriptions of the materials and their applications.

- Union Mix:** Medium grade natural fibers for polishing finished floors with standard-speed equipment. Recommended for use in place of white pads.
- ProLite:** Bristles are made from light-duty polypropylene for general scrubbing when you do not want to scratch or remove finish from the floor. Recommended for use in place of red pads.
- Prolene:** Polypropylene material for medium-duty scrubbing on concrete, terrazzo and vinyl floor tile. Recommended for use in place of green or blue pads.
- Magna Grit:** For extreme heavy-duty scrubbing or stripping of floors. This brush has extra large diameter silicon carbide grit impregnated synthetic bristles. Recommended for use in place of black pads.
- Dyna Grit:** For aggressive, heavy-duty scrubbing or stripping of floors. Recommended for use in place of brown pads.
- MidLite Grit:** For general purpose scrubbing of sealed or unsealed concrete, stone, terrazzo, quarry tile and other resilient hard floor surfaces. Recommended for use in place of green or blue pads.
- MidGrit:** For general purpose scrubbing when you need a lighter action for sealed or unsealed concrete, stone, terrazzo, quarry tile and other resilient hard floor surfaces. Recommended for use in place of green or blue pads.
- AgLite Grit:** For light scrubbing when used wet; buffing or polishing when used dry on urethane coated, sealed concrete or other resilient hard surface floors. Recommended for use in place of red or white pads.
- Short Trim Pad Holder:** Made with a structural foam block and center ring for correct pad centering. It has a "shower feed" design for getting solution to the floor.

BR 755 BRUSHES

- 56505800 - Short Trim Pad Holder
- 56505195 - Pad Retainer for 56505800
- 56505801 - Magna Grit
- 56505802 - Dyna Grit
- 56505803 - AgLite Grit
- 56505804 - Prolene
- 56505805 - ProLite
- 56505806 - Union Mix
- 56505807 - MidGrit
- 56505808 - MidLite Grit

BR 855 BRUSHES

- 56505780 - Short Trim Pad Holder
- 56505195 - Pad Retainer for 56505830
- 56505781 - Magna Grit
- 56505782 - Dyna Grit
- 56505783 - AgLite Grit
- 56505784 - Prolene
- 56505785 - ProLite
- 56505786 - Union Mix
- 56505787 - MidGrit
- 56505788 - MidLite Grit

DISC BRUSH APPLICATION GUIDE (SUGGESTION ONLY)

Application	46 Grit	80 Grit	180 Grit	240 Grit	500 Grit	Prolene	ProLite	Union Mix
Stripping:								
Concrete	X	X						
Terrazzo	X	X						
Ceramic/Quarry tile		X						
Vinyl tile		X						
General Scrubbing:								
Concrete	X	X	X	X		X		
Terrazzo			X	X	X	X		
Ceramic/Quarry tile			X	X	X	X		
Marble					X		X	
Vinyl tile			X		X	X		
Raised-rubber tile					X		X	
Polishing:								
Raised Disc Tile								X
Marble								X
Vinyl tile								X

No.	Part No.	Qty.	Description	Part Note
			Pos. 1-10: BR 755 Brushes	
01	56505800	1	PAD HOLDER 370 MM	
02	56505195	1	PAD RETAINER	[1]
03	56505801	1	BRUSH MAGNA GRIT 46	
04	56505802	1	BRUSH DYNA GRIT 80	
05	56505803	1	BRUSH AGLITE GRIT 500	
06	56505804	1	BRUSH PROLENE	
07	56505805	1	BRUSH PROLITE	
08	56505806	1	UNION MIX BRUSH 36CM	
09	56505807	1	BRUSH MIDGRIT 240	
10	56505808	1	BRUSH MIDLITE GRIT 180	
			Pos. 11-20: BR 855 Brushes	
11	56505780	1	PAD HOLDER 17 3 LUG	
12	56505195	1	PAD RETAINER	[2]
13	56505781	1	DISC BRUSH 17 MAGNAGRIT	
14	56505782	1	DISC BRUSH 17 DYNAGRIT	
15	56505783	1	DISC BRUSH 17 AGLITE 3	
16	56505784	1	DISC BRUSH 17 PROLENE 3	
17	56505785	1	DISC BRUSH 17 PROLITE 3	
18	56505786	1	DISC BRUSH 17 UNION MIX	
19	56505787	1	DISC BRUSH 17 MIDGRIT 3	
20	56505788	1	DISC BRUSH 17 MIDLITE 3	

Part Notes:

- [1] - PAD RETAINER FOR 56505800
[2] - PAD RETAINER FOR 56505830

We provide brushes and pad holders that will give you the best possible performance between machine and floor. Following are descriptions of the materials and their applications.

- 46 Grit Brush: Most aggressive grit brush. Used primarily to clean heavy buildup on concrete floors in factories, or for heavy stripping of finish.
- 80 Grit Brush: Medium aggressive grit brush. Good all-around brush for medium to heavy buildup removal. Can also be used for general stripping operations.
- 180 Grit Brush: Least aggressive grit brush. Used for daily cleaning of hard-finished floors.
- Polypropylene Brush: Standard equipment brush. Low cost, yet effective in cleaning many common floor surfaces.
- Stiff Nylon Brush: Cleaning action similar to polypropylene. More durable and wear-resistant than polypropylene.
- Soft Nylon Brush: Least aggressive brush available. Used on soft-finish floors where a more aggressive brush would leave scratch marks, or in applications requiring very light cleaning.

BR 755 BRUSHES

- 56412191 - Soft Nylon
- 56412192 - Hard Nylon
- 56412046 - Prolene
- 56412193 - 180 Grit
- 56412194 - 80 Grit
- 56412195 - 46 Grit

CYLINDRICAL BRUSH APPLICATION GUIDE (SUGGESTION ONLY)

Application	46 Grit	80 Grit	180 Grit	Polypropylene	Stiff Nylon	Soft Nylon
Stripping:						
Concrete	X	X				
Terrazzo	X	X				
Ceramic/Quarry tile		X				
Vinyl tile		X				
General Scrubbing:						
Concrete	X	X	X	X	X	
Terrazzo			X	X	X	X
Ceramic/Quarry tile			X	X	X	X
Marble			X		X	X
Vinyl tile			X	X	X	X
Raised-rubber tile			X			X

No.	Part No.	Qty.	Description	Part Note
01	56412191	1	BRUSH SOFT NYLON 28	[1]
02	56412192	1	BRUSH HARD NYLON 28	
03	56412046	1	BRUSH POLYPROPYLENE 28	
04	56412193	1	BRUSH 180 GRIT	
05	56412194	1	BRUSH DYNA GRIT 80	[1]
06	56412195	1	BRUSH MAGNA GRIT 46	[1]

Part Notes:

[1] - COMPLEXITY REDUCTION

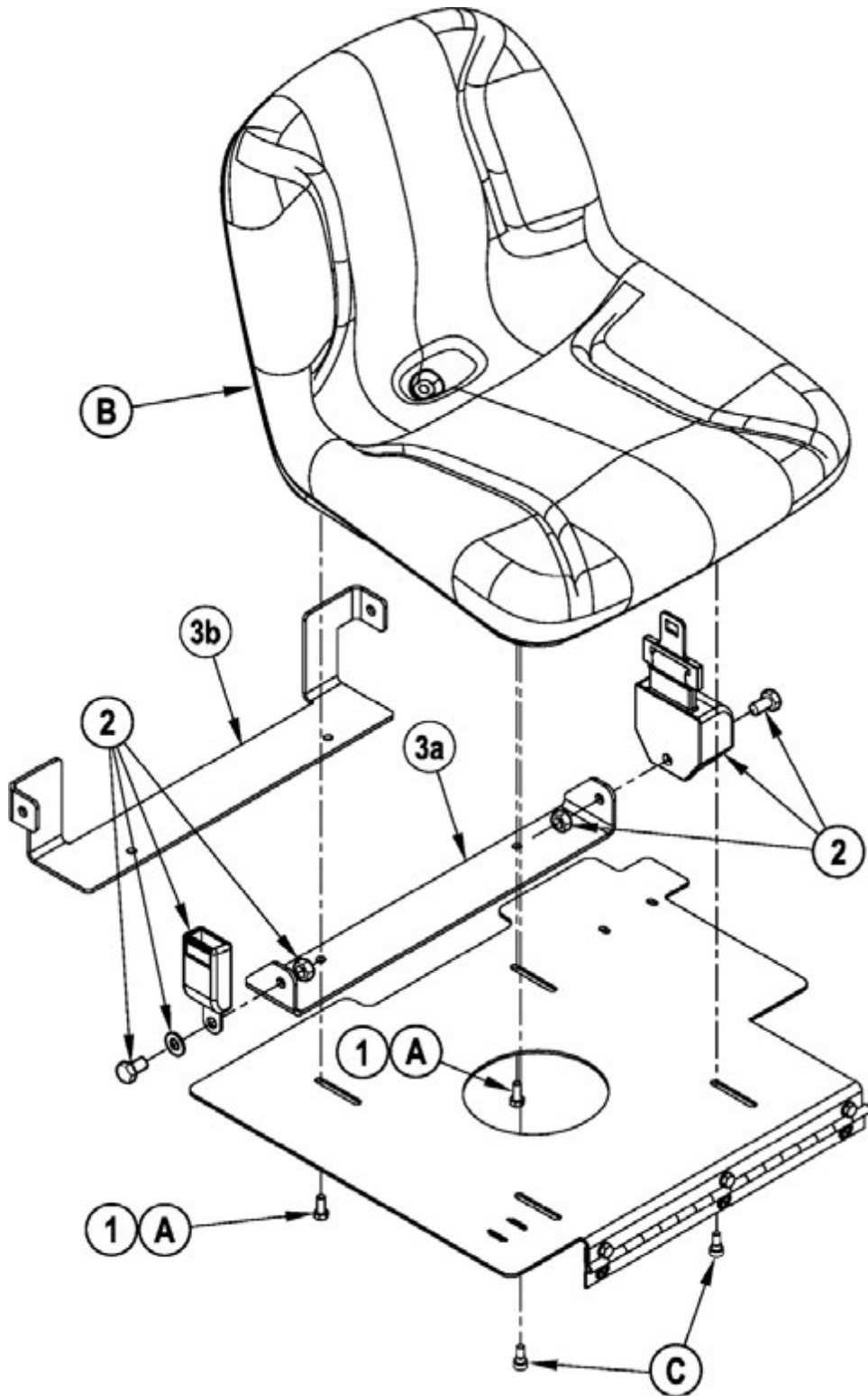
Recommended spare parts

BR855

2017.11.02

2019.08.12

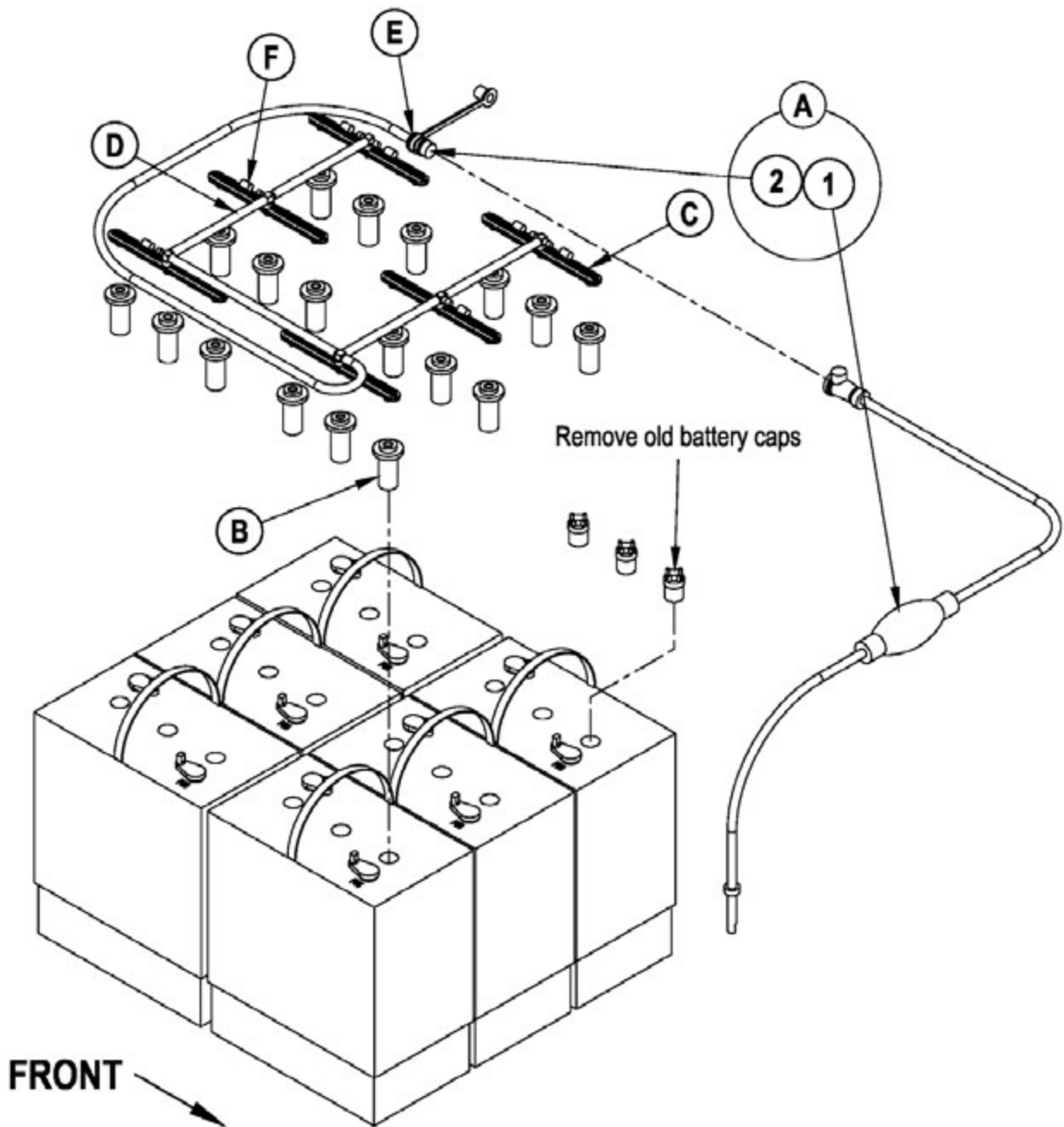
No.	Part No.	Qty.	Description	Part Note
	56507644	1	CIRCUIT BREAKER	
	56385084	1	FOOT PEDAL ASSEMBLY	
	56601077	1	SPINDLE WELDT	
	56601171	1	CONNECTOR ASM	
	56601271	1	KNOB 5/16 STUD	
	56314580	1	BALL BEARING OUTPUT SIDE	
	56316089	1	WHEEL	
	56601125	1	FILTER	
	56601533	1	MOTOVARIO GEARBOX	
	56601061	1	SPEED CONTROL	
	56601134	1	BRUSH MOTOR AMER	
	56601537	1	BALL BEARING OUTPUT SIDE	
	56384462	1	INTERFACE PANEL ASSY	
	56601183	1	CONTACTOR 24V 100 AMP	
	56396268	1	SPRING HOUSING GUIDE	
	56379139	1	TUBE PVC .750X350	
	7-82-00050	1	SWITCH SEAT	
	56601488	1	VAC MOTOR W/SUPPRESSION	
	56601535	1	KEY	
	56601076	1	SOLUTION TANK	
	56601495	1	FRONT STRAP WELDMENT	
	56261265	1	TUBE E00521	
	56601489	1	FRONT STRAP WELDMENT	
	56601591	1	WELDMENT REAR STRAP	
	56601037	1	WELDT-SQUEEGEE MOUNT	
	56601060	1	STEERING WHEEL	
	56601593	1	WELDMENT REAR STRAP	
	56114185	1	GASKET-RECOVERY TANK	
	56315061	1	MOTOR, 24VDC, .5HP, 1800R	
	56601534	1	CARBON BRUSH	
	56601096	1	KIT INTERFACE PANEL	
	56601536	1	MOTOR FAN	
	56601508	1	PLASTIC COVER	
	56394602	1	HOSE-REC-1.5 X 46	
	56601050	1	MOTOR DRIVE WHEEL	
	56510442	1	CAP-EXTRA VENT	
	56409485	1	CABLE ASSY.1 X 15.00	
	56382693	1	WHEEL	
	56601172	1	CONNECTOR ASM	
	56601594	1	KIT SOLUTION FILTER	
	56009062	1	SCR PHIL THD1/4-20X-20X.5	
00	56344172	1	TUBE PRESSURE SENSING	
00	56120338	1	SQUEEGEE BLADE KIT 34 -LINATEX-L	
00	56601449	1	SQUEEGEE ASSEMBLY	
00	56115344	1	IDLER END ASSY	
00	56412179	1	CONTACTOR 24 VDC	
00	56112553	1	HOSE	
00	56120340	1	SQUEEGEE BLADE KIT 34 -PU-L	



No.	Part No.	Qty.	Description	Part Note
00	56422162	1	KIT SEAT BELT	
01	56003179	2	SCR,HEX THD/HD M8-1.25X20	
02	56314962	1	SEAT BELT KIT	[1]
03A	56422160	1	BRACKET SEAT BELT	[2]
03B	56422160	1	BRACKET SEAT BELT	[3]

Part Notes:

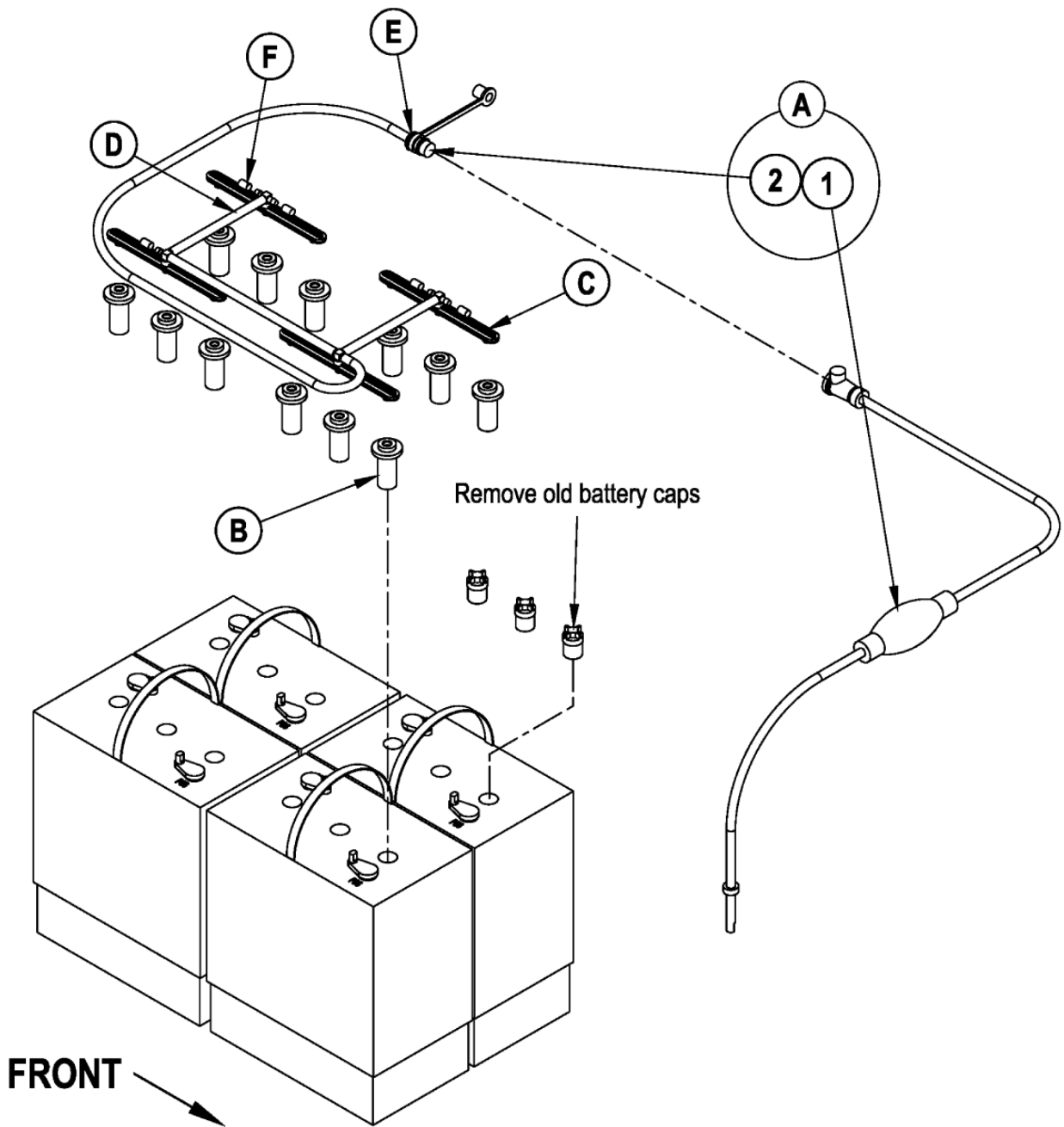
- [1] - INCLUDES HARDWARE
EXPIRED ON 7/27/2020
- [2] - FOR 56314312
- [3] - FOR 56422162



No.	Part No.	Qty.	Description	Part Note
	56601527	1	KIT BATTERY WATERING	[1]
	56314981	1	KIT,BATTERY WATERING	
01	56314978	1	WATER PUMP	
02	56601525	1	MANIFOLD ASSEMBLY	
02	56314979	1	MANIFOLDS BATTERY WATERING	
0A	56314981	1	KIT,BATTERY WATERING	[2]
0B	56601526	1	SYSTEM BATTERY WATERING	[3]

Part Notes:

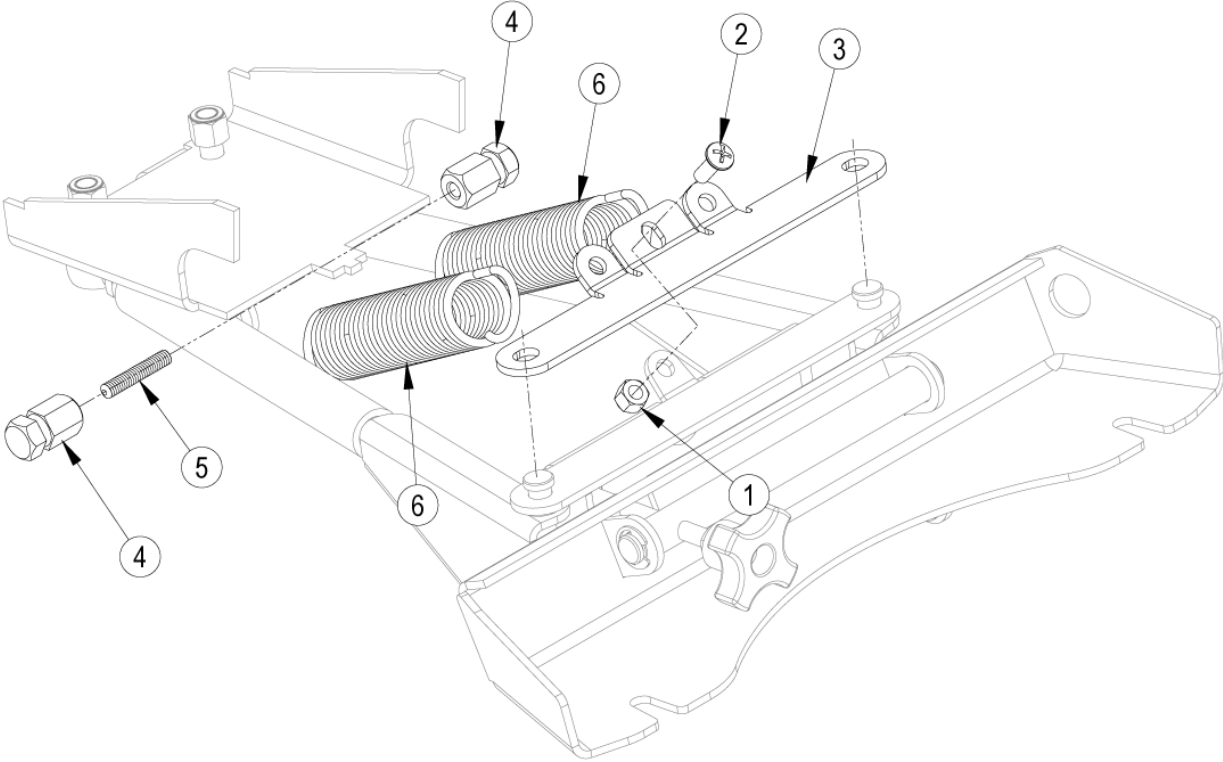
- [1] - NOT FOR SALE VIA EDC
- [2] - FOR 56314981
- [3] - FOR 56601527



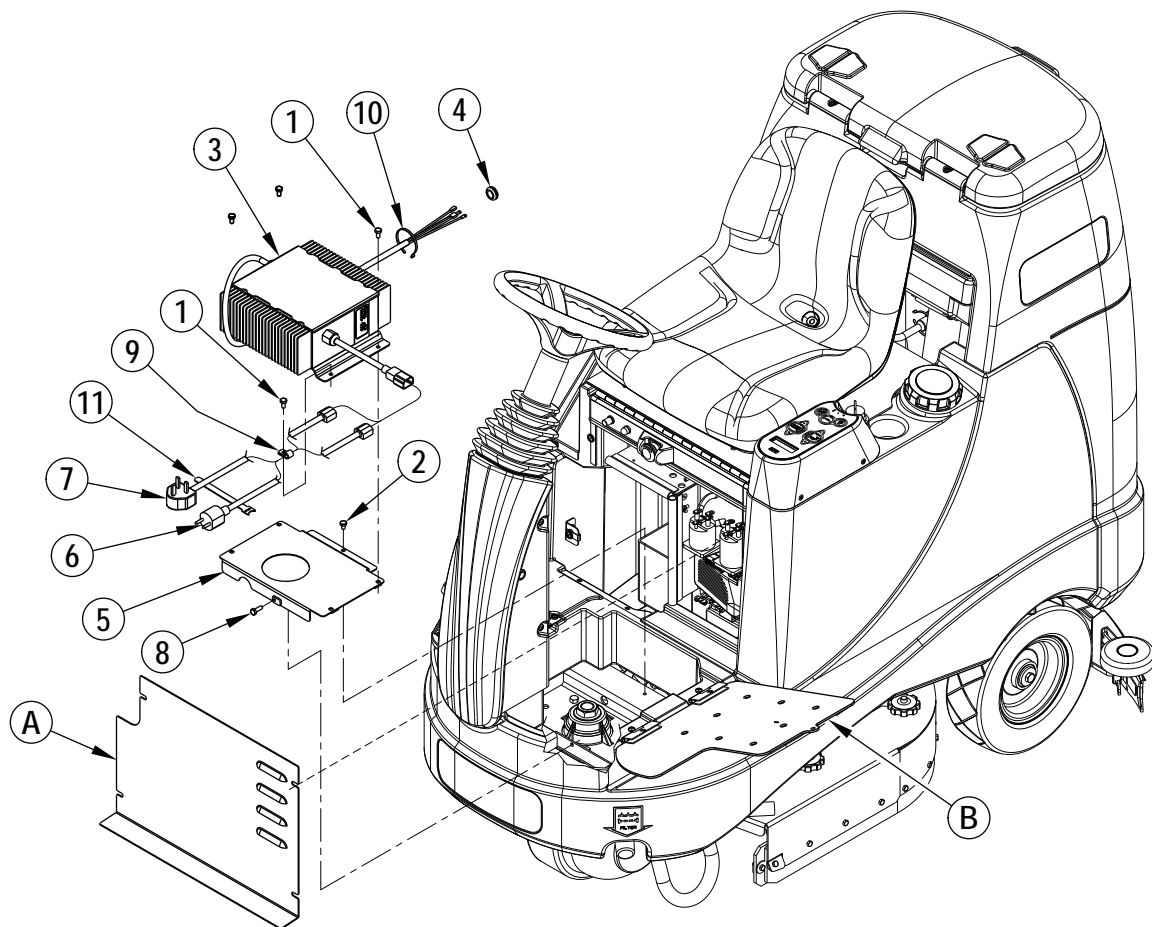
No.	Part No.	Qty.	Description	Part Note
	56601527	1	KIT BATTERY WATERING	[1]
	56314981	1	KIT,BATTERY WATERING	
01	56314978	1	WATER PUMP	
02	56601525	1	MANIFOLD ASSEMBLY	
02	56314979	1	MANIFOLDS BATTERY WATERING	
0A	56314974	1	SYSTEM BATTERY WATERING	[2]
0B	56601526	1	SYSTEM BATTERY WATERING	[3]

Part Notes:

- [1] - NOT FOR SALE VIA EDC
- [2] - FOR 56314981
NON-SALEABLE USE 56314981
- [3] - FOR 56601527



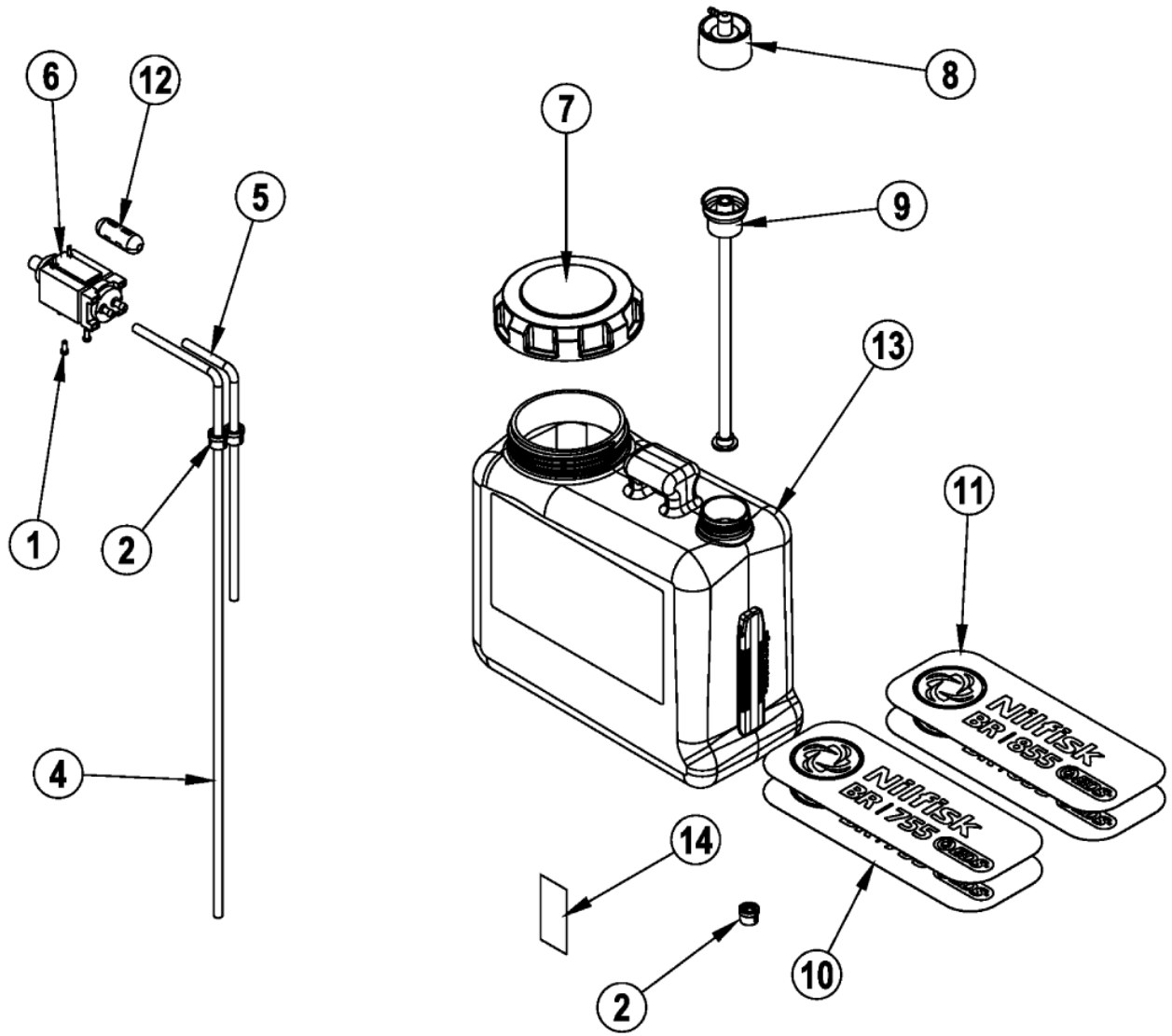
No.	Part No.	Qty.	Description	Part Note
	56382635	1	KIT-SQUEEGEE SPRING	
01	56002491	1	NUT 1/4-20 SS THIN NYLOC	
02	56002957	1	SCR PAN PHIL SS 1/4 20	
03	56382623	1	BRACKET-SPRING ADVENGER	
04	56382624	2	NUT-SPRING	
05	56382637	1	ROD-THREADED .25 X 1.25	
06	56412216	2	SPRING EXTENSION	



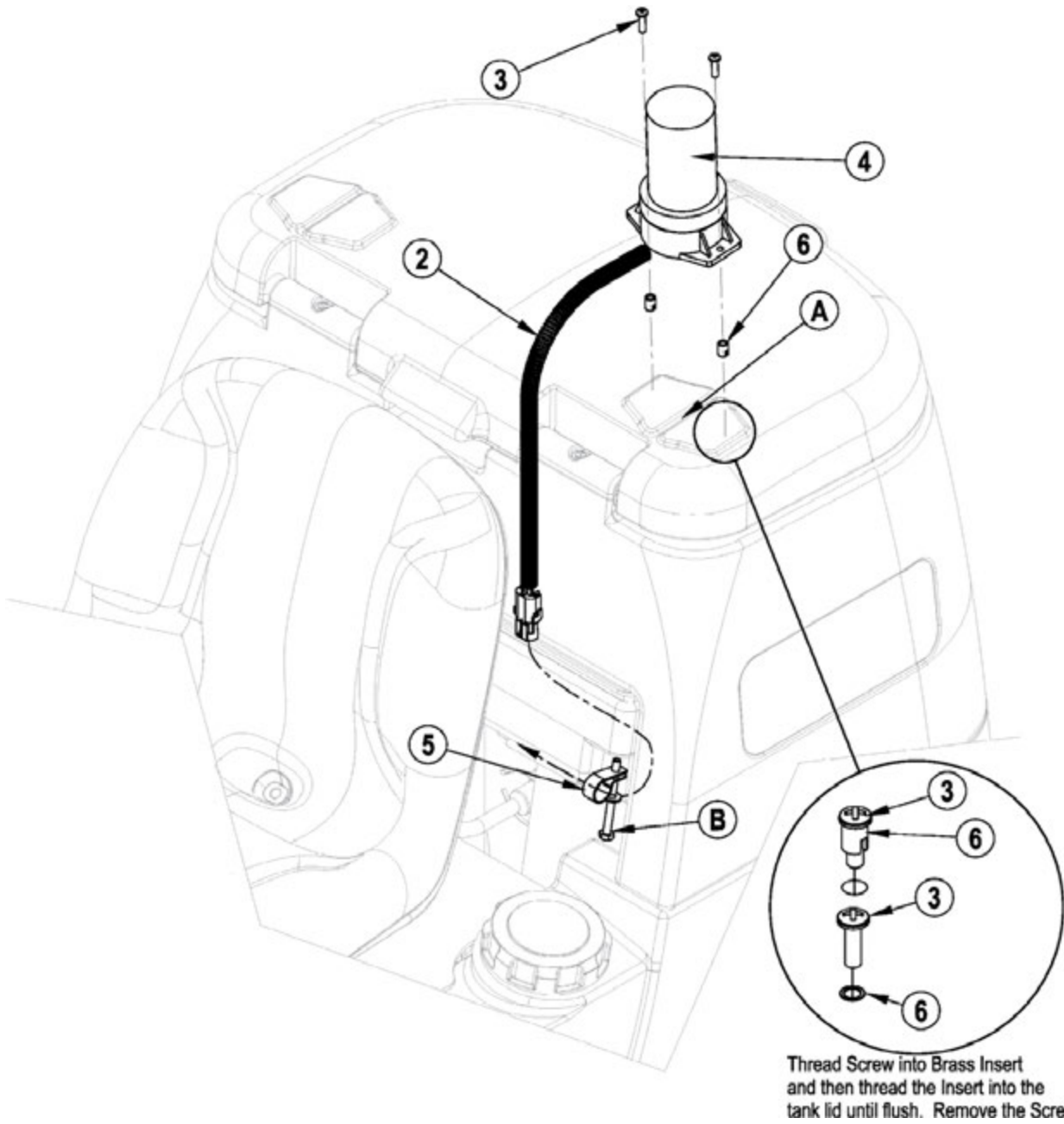
No.	Part No.	Qty.	Description	Part Note
	56601080	1	KIT ON BOARD CHARGER EU	[1]
1	56001854	4	SCR HEX HD 1/4-20 X .50	
2	56009019	1	SCR HEX THD FORM	
3	56315124	1	CHARGER ON BOARD 24V	
4	56157376	1	GROMMET 1 OD X 9/16 ID	
5	56601417	1	CHARGER MOUNT BRACKET	
6	56383388	1	CORD-CHARGER EUROPE	
7	56383389	1	CORD-CHARGER UK	
8	56001836	1	SCREW 1/4 - 20 X 5/8	
9	56172017	1	P CLIP E00129	
10	56478246	1	CABLE TIE E00549 RE438B	
11	56384755	1	VELCRO STRAP	

Part Notes:

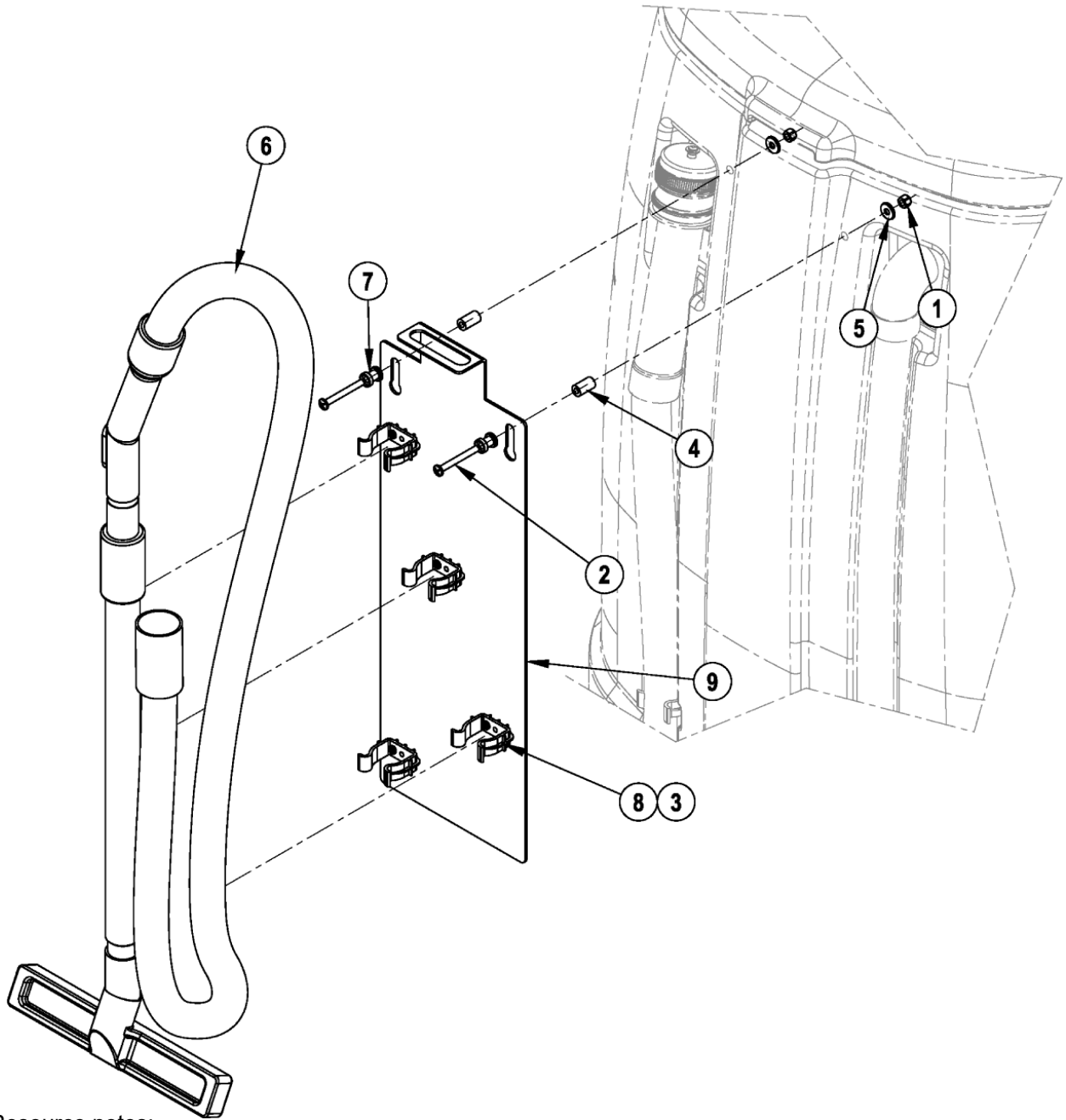
[1] - IS56040990. On Board Charger Kit EU. PN-56601080



No.	Part No.	Qty.	Description	Part Note
	56601082	1	ECOFLEX CHEMICAL KIT EU	
01	56002539	2	SCR PAN PHIL TD FORM	
02	56003699	3	BUSHING 1/4 ID SNUB	
04	56314942	1	HOSE CHEM RESISTANT	
05	56314991	1	HOSE CHEM RESISTANT 14	
06	56315241	1	PUMP CHEMICAL	
07	9100001817	1	CAP PLASTIC F DETERGENT SOLU. TANK SIP	
08	56315523	1	CAP DRY BREAK 1/8 BARB	
09	56315527	1	INSERT DRY BREAK	
10	56601306	2	DECAL BR755 ECOFLEX	
11	56601308	2	DECAL BR855 ECOFLEX	
12	56601514	1	FERRITE BEAD	
13	56601544	1	CHEMICAL BOTTLE ASSEMBLY	
14	56016331	1	DECAL CHEMICAL RATIO	



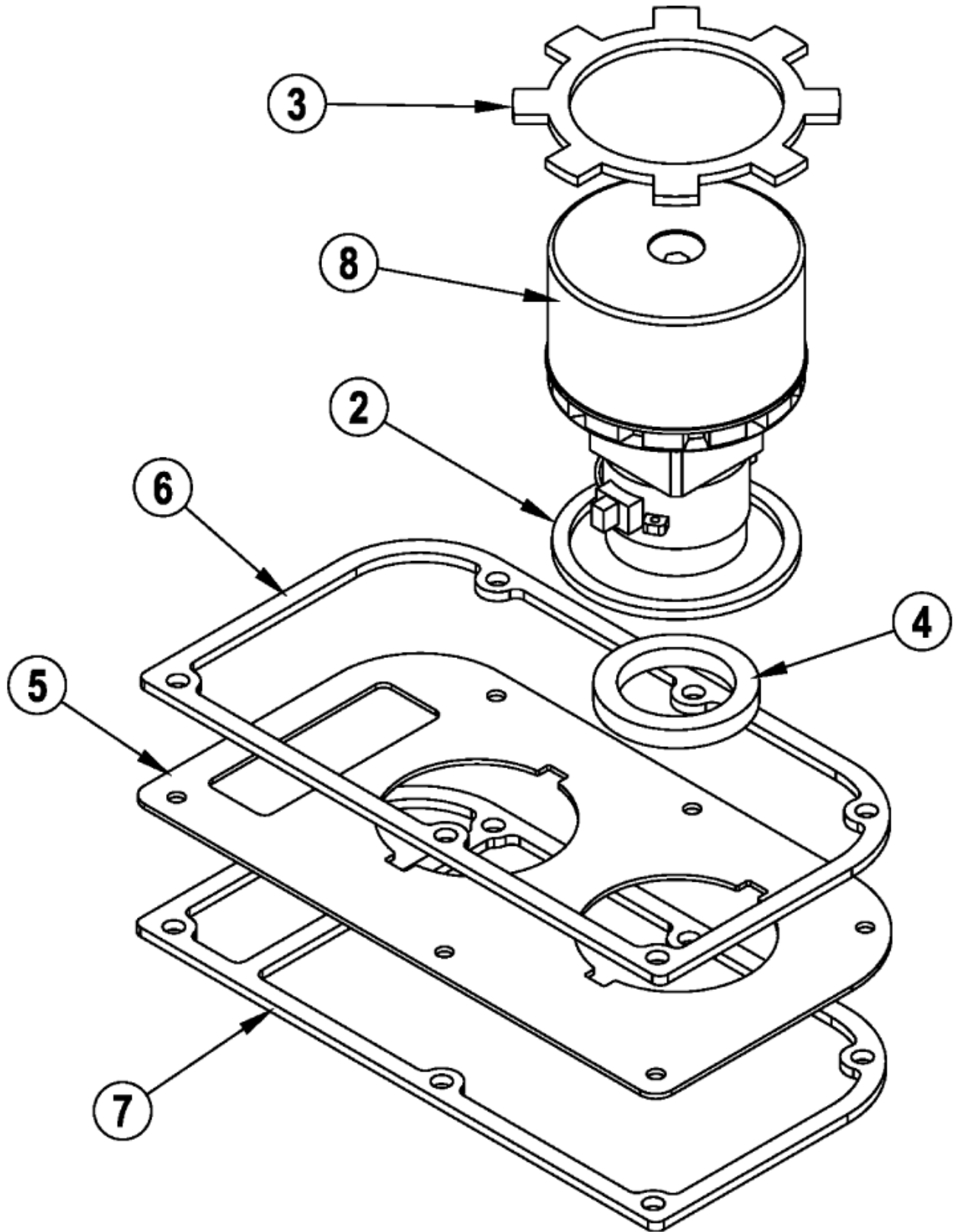
No.	Part No.	Qty.	Description	Part Note
	56601085	1	KIT BEACON	
02	56459883	1	CONDUIT	
03	56002896	2	SCR PAN PHIL SS 10-24 X 0	
04	56307166	1	BEACON ASSEMBLY	
05	56486112	1	CLAMP, CABLE	
06	56249946	2	INSERT BRASS FL150S	



Resource notes:

NOTE: Items (3, 8 & 9) are preassembled.

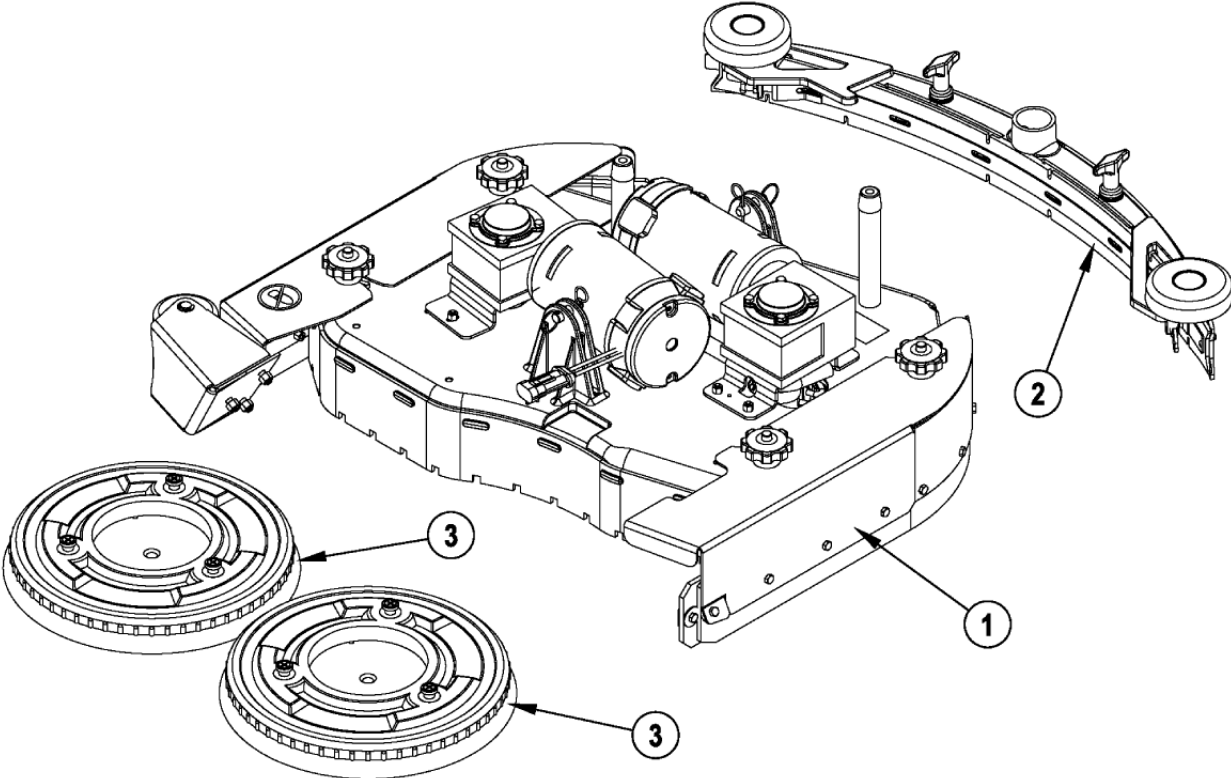
No.	Part No.	Qty.	Description	Part Note
	56601087	1	KIT VACUUM WAND WITH	
1	56002708	2	1/4 - 20 NYLON LOC NUT	
2	56002788	2	SCR PAN PHIL 1/4 20 X	
3	56009029	8	SCR PANPHIL THD FORM 10	
4	56052237	2	SPACER	
5	56201047	2	WSH SEALINE SS 5/16	
6	56315309	1	SCRUB/VAC WAND & HOSE	
7	56315311	2	SPACER STEPPED	
8	56407361	4	CLAMP PLASTIC	
9	56601458	1	BRACKET WAND KIT	



No.	Part No.	Qty.	Description	Part Note
0	56601090	1	KIT DUAL VAC EU	
2	56212143	2	GASKET VACUUM DUCT	
3	56264103	1	GASKET VAC MOTOR	
4	56314760	1	GASKET VAC DUCT	
5	56601122	1	PLATE VAC	
6	56601126	1	GASKET EXHAUST	
7	56601127	1	GASKET VAC	
8	56601488	1	VAC MOTOR W/SUPPRESSION	[1]

Part Notes:

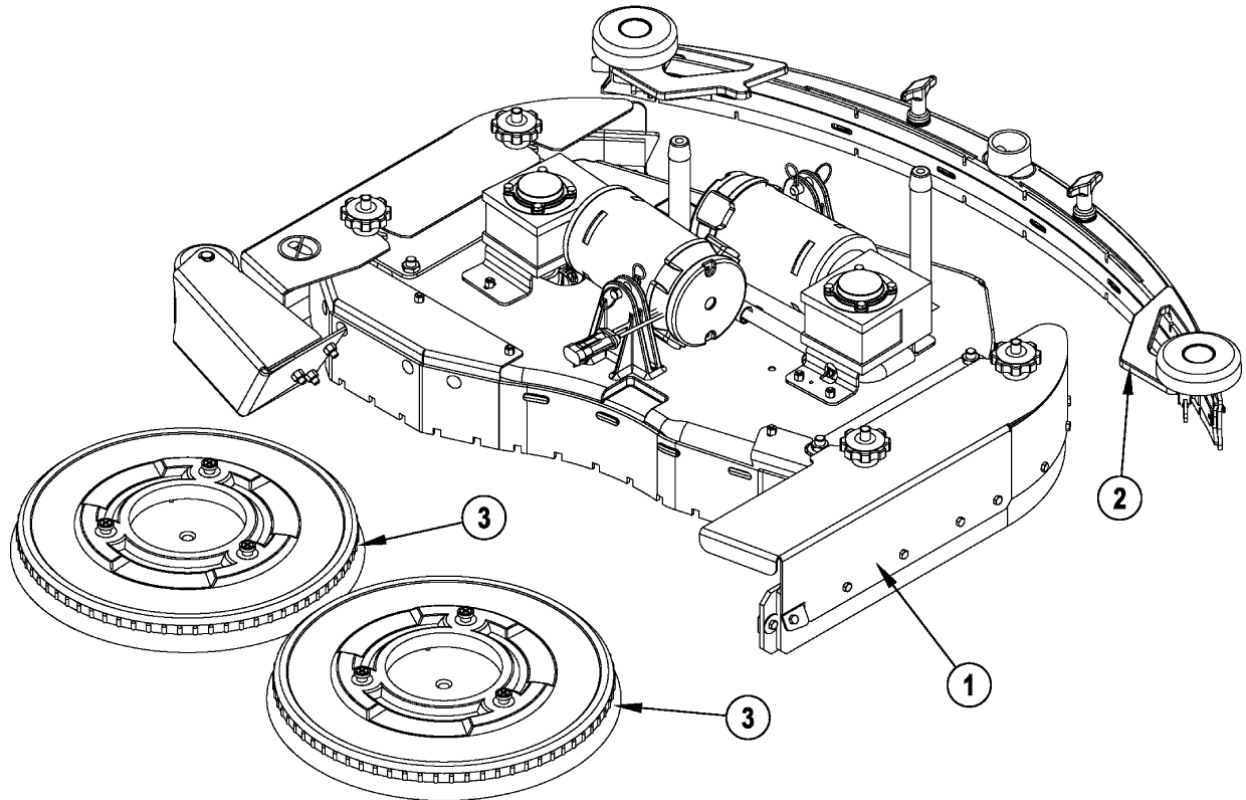
[1] - 56601090



No.	Part No.	Qty.	Description	Part Note
	56601700	1	KIT-28 IN DISC DECK-EU	[1]
01		1	28" DISK DECK SYSTEM - NOT AVAILABLE	[2]
02	56601449	1	SQUEEGEE ASSEMBLY	
03	56505800	2	PAD HOLDER 370 MM	

Part Notes:

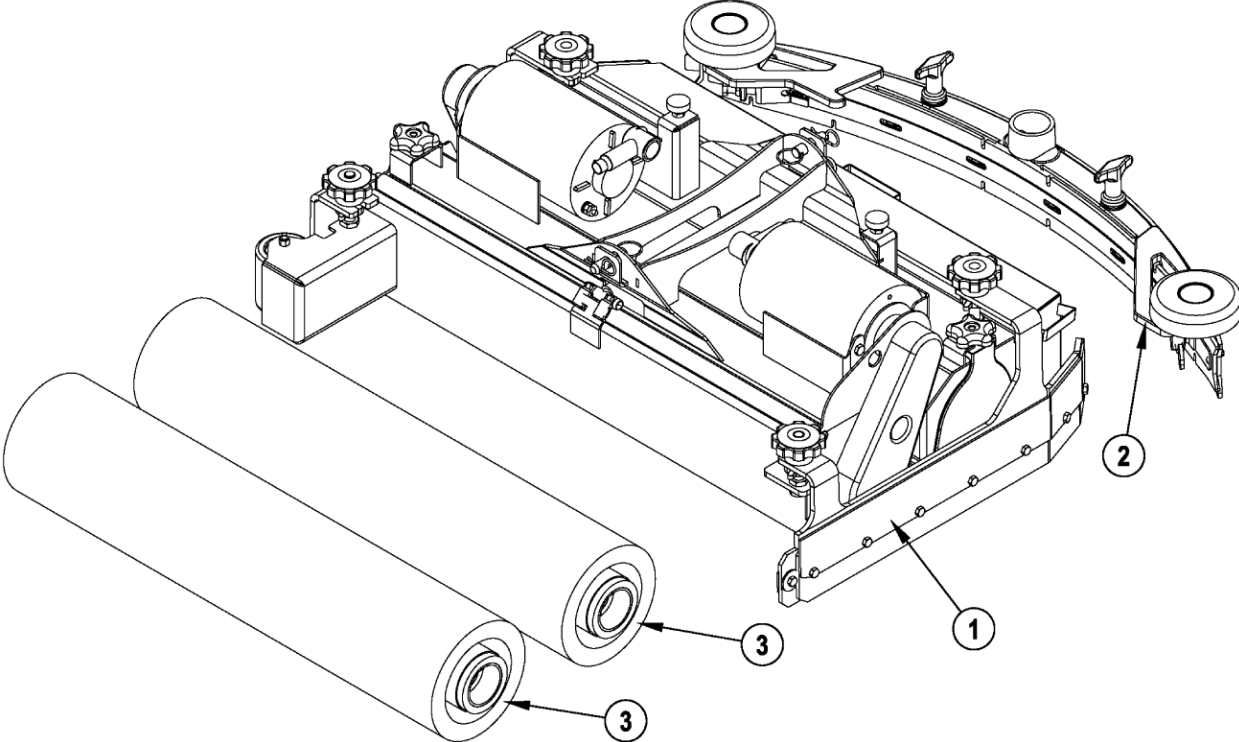
- [1] - EXPIRED ON 11/3/2021
- [2] - 28" DISK DECK SYSTEM - NOT AVAILABLE



No.	Part No.	Qty.	Description	Part Note
00	56601701	1	KIT-34 IN DISC DECK-EU	[1]
01		1	34" DISK DECK SYSTEM - NOT AVAILABLE	[2]
02	56601454	1	SQUEEGEE ASSEMBLY	[3]
03	56505780	2	PAD HOLDER 17 3 LUG	

Part Notes:

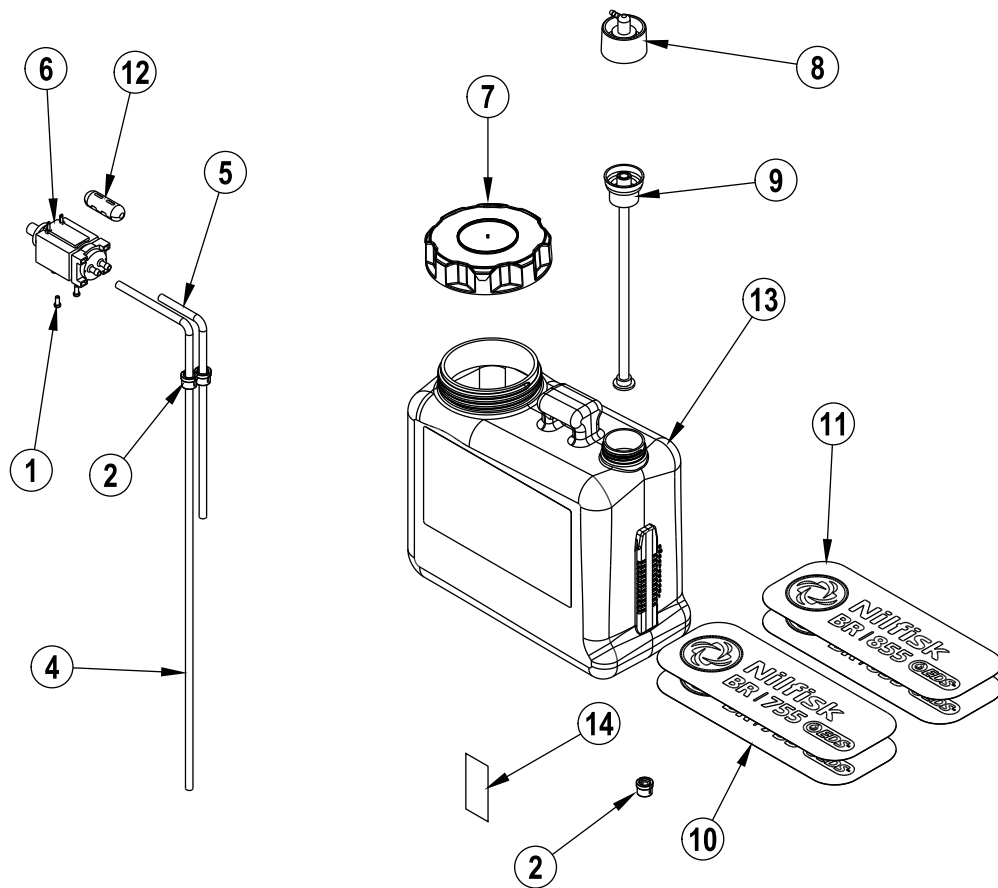
- [1] - EXPIRED ON 8/10/2020
- [2] - 34" DISK DECK SYSTEM - NOT AVAILABLE
- [3] - 56601547



No.	Part No.	Qty.	Description	Part Note
00	56601756	1	KIT-28 CYL DECK ASSY-EU	
01		1	28" CYLINDRICAL DECK SYSTEM - NOT AVAILABLE	[1]
02	56601449	1	SQUEEGEE ASSEMBLY	
03	56412046	2	BRUSH POLYPROPYLENE 28	

Part Notes:

[1] - 28" CYLINDRICAL DECK SYSTEM - NOT AVAILABLE



No.	Part No.	Qty.	Description	Part Note
0	56601082	1	ECOFLEX CHEMICAL KIT EU	
1	56002539	2	SCR PAN PHIL TD FORM	
2	56003699	3	BUSHING 1/4 ID SNUB	
[3]	56040982	1	INSTRUCTION SHEET	[1]
4	56314942	1	HOSE CHEM RESISTANT	
5	56314991	1	HOSE CHEM RESISTANT 14	
6	56315241	1	PUMP CHEMICAL	
7	9100001817	1	CAP PLASTIC F DETERGENT SOLU. TANK SIP	
8	56315523	1	CAP DRY BREAK 1/8 BARB	
9	56315527	1	INSERT DRY BREAK	
10	56601306	2	DECAL BR755 ECOFLEX	
11	56601308	2	DECAL BR855 ECOFLEX	
12	56601514	1	FERRITE BEAD	
13	56601544	1	CHEMICAL BOTTLE ASSEMBLY	
14	56016331	1	DECAL CHEMICAL RATIO	

Part Notes:

[1] - PRINT FROM HOMEPAGE

